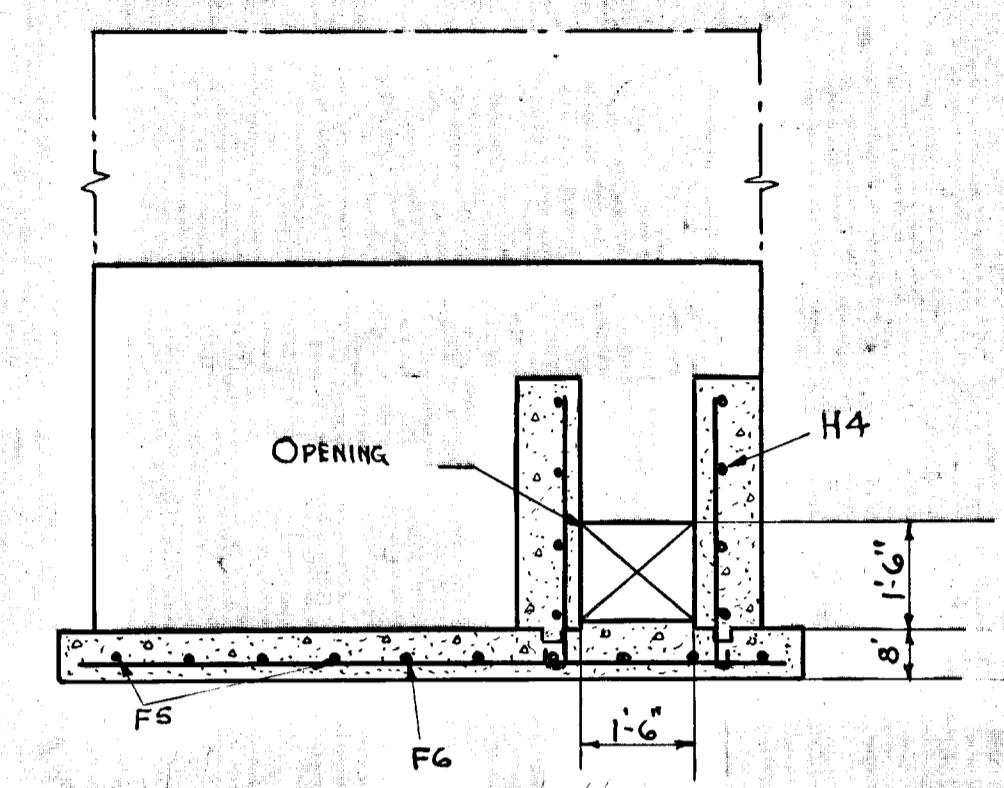
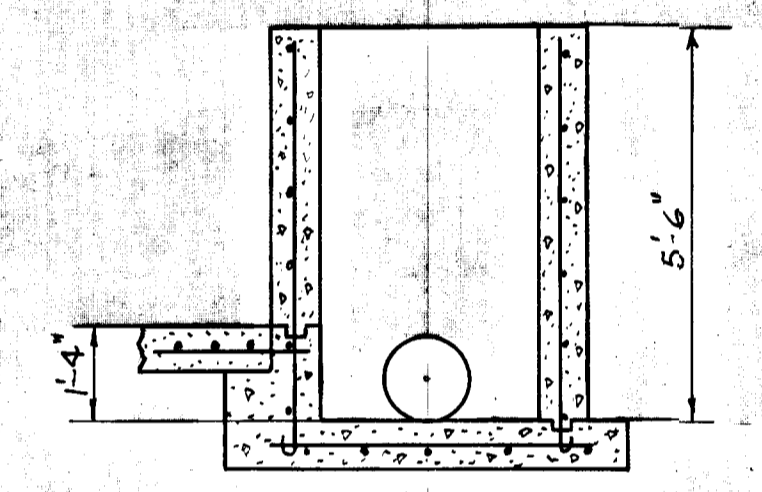


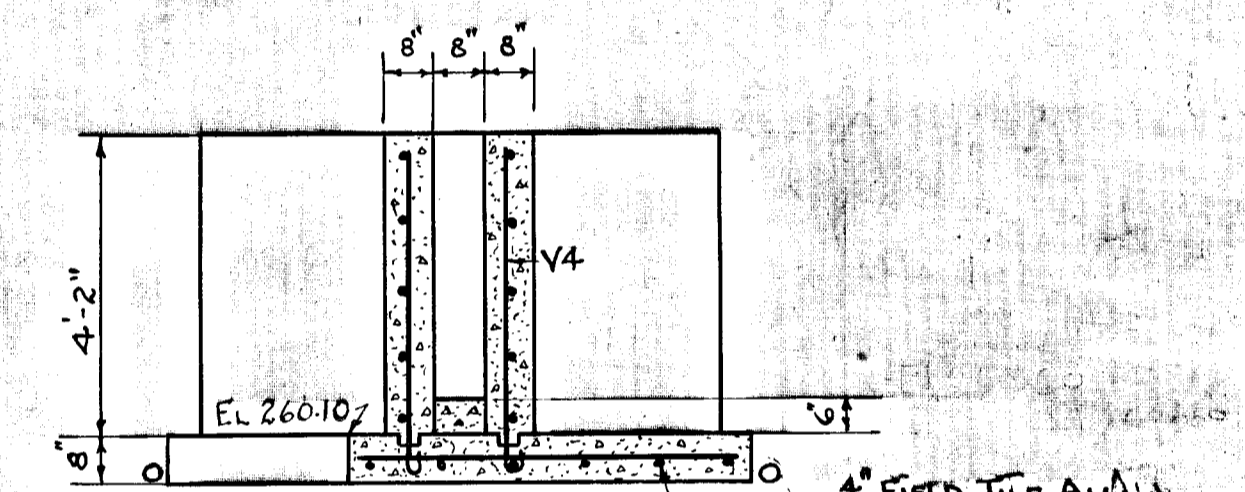
SECTION AA



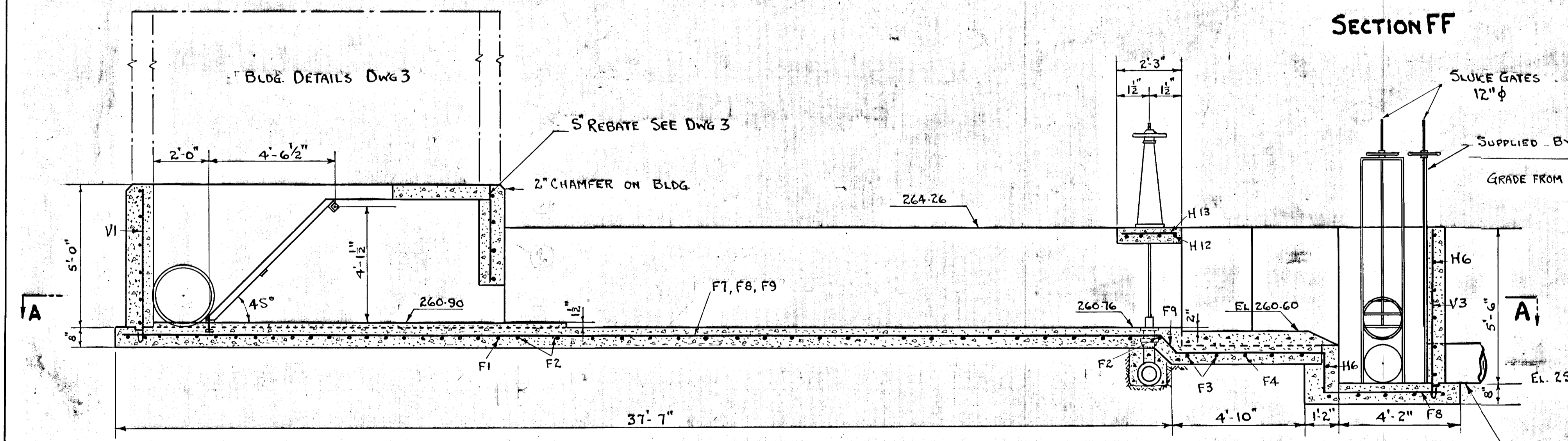
SECTION EE



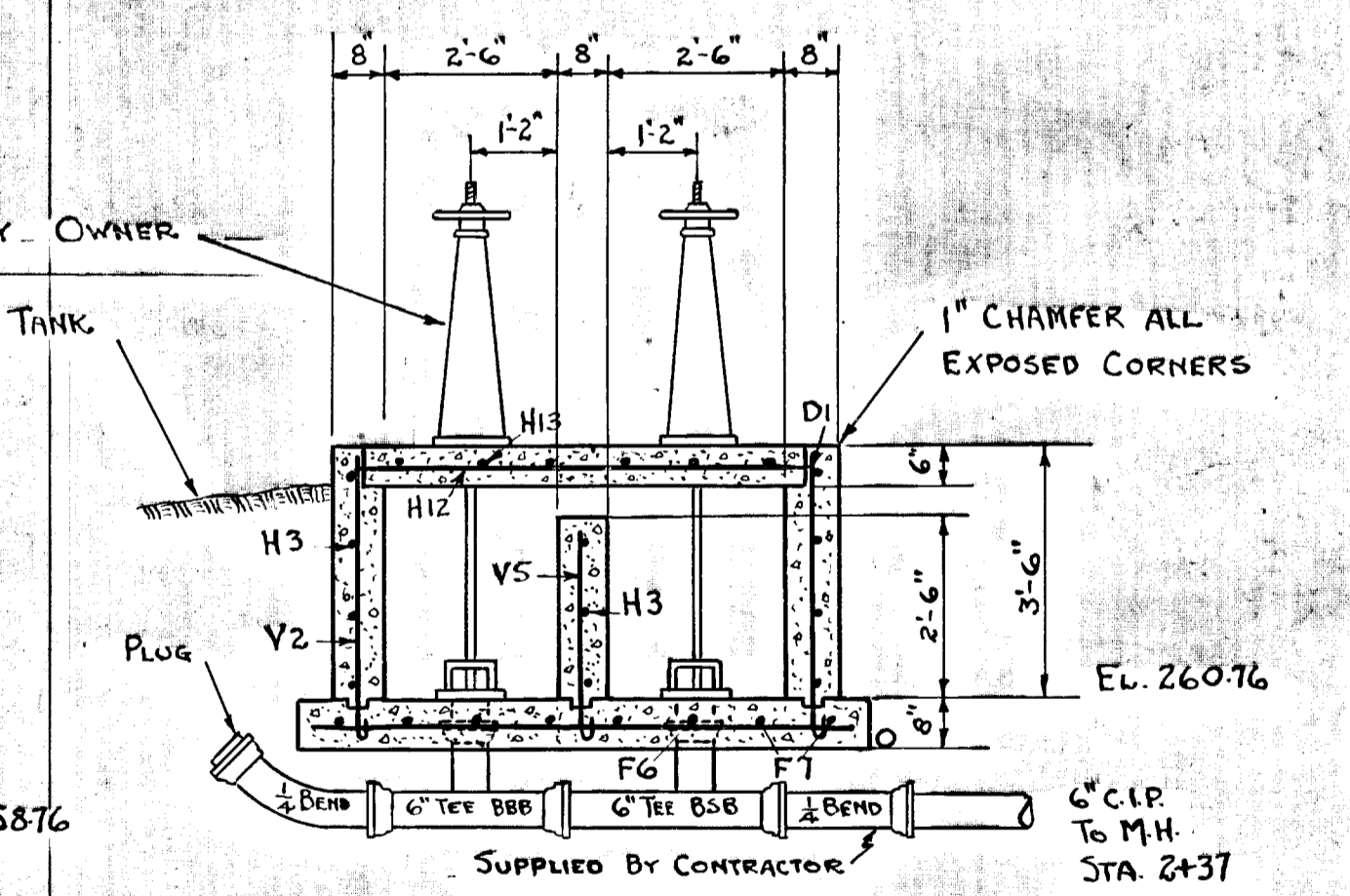
SECTION FF



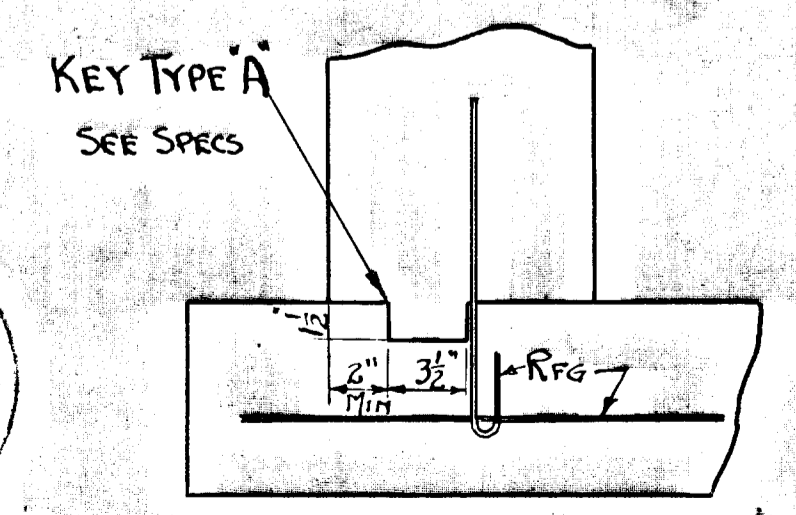
SECTION DD



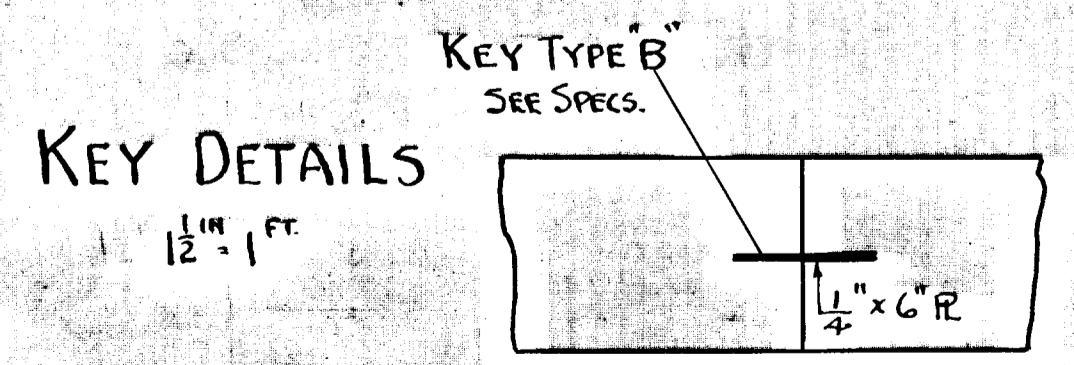
SECTION BB



SECTION CC

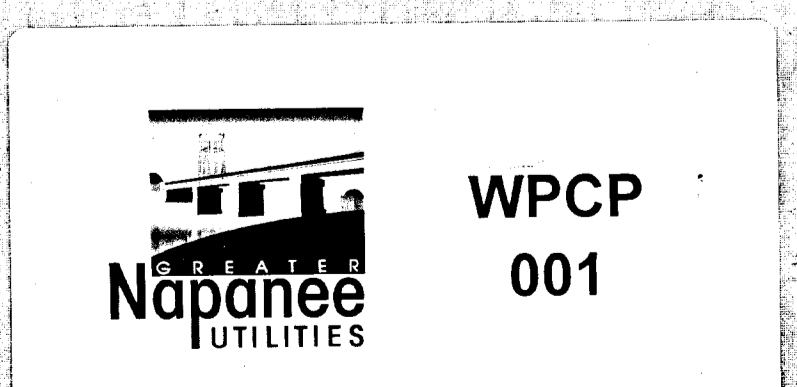
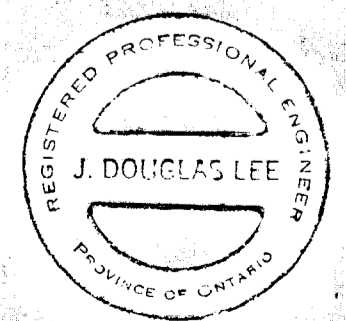


KEY TYPE A
SEE SPECS



KEY TYPE B
SEE SPECS

KEY DETAILS
1/2\"/>



<p>GREATER NAPANEE WATER SUPPLY & POLLUTION CONTROL BOARD 75 EAST STREET, NAPANEE, ONTARIO N7R 1S3 (813) 354-9338 FAX (813) 354-2838</p>		
PROJECT 26-193-C GRIT CHAMBER		
SEWAGE TREATMENT PLANT SPECIFICATIONS		
APPROVED BY	DATE	SCALE
DESIGNED BY	AUG 1951	3/8" = 1'-0"
DRAWN BY	DWG NO. WPCD-1951/1-Nº 1/3	

TOWN OF NAPANEE	
OUTFALL SEWER GRIT CHAMBER	
J. DOUGLAS LEE - CIVIL ENGINEER	
SCALE 3/8" = 1'-0"	DATE AUG. 3, 1951
DWN. J.D.L.	CORRECT
TCD. J.D.L.	APPROVED
CHKD	26-193C
	2

REINFORCING STEEL SCHEDULE

SHEET 2 OF 2

LINE NO.	SIZE	QTY	LENGTH FT.-IN.	MARK	TYPE	DIMENSIONS											TOTAL WEIGHT	DETAIL OF BENDS
						A	B	C	D	E	F	G	H	J	K	L		
1	ϕ 1/2	199	4-0	501	17	2-0												TYPE 1
2	ϕ 1/2	4	5-2	502	1	0-7	4-0					0-7		0-5				
3	ϕ 1/2	2	18-2	504	1	0-7	17-0					0-7	0-5					
4	ϕ 1/2	1	18-2	503	5	0-7	6-0	0-7	10'-5			0-7	0-5			17-0		
5	ϕ 1/2	10	10-6	401	3	0-6	1-5	0-5 1/2	3-8	0-5 1/2	4-0	0-4	0-3 1/2			9-5		TYPE 3
7	ϕ 3/8	3	7-1 1/2	402	5	4-0	0-5 1/2	3-0				0-6	0-4	0-3 1/2				
8	ϕ 3/8	31	10-3	403	1	0-6	9-3					0-6		0-3 1/2				
9	ϕ 3/8	31	10-3	404	3	0-6	1-5	0-5 1/2	5-9	0-5 1/2	1-5	0-6	0-4	0-3 1/2		9-3		TYPE 5
10	ϕ 3/8	102	14-3	405	1	14-3												
11	ϕ 3/8	130	2-9	406	17	2-0	0-9											
12	ϕ 3/8	44	11-10	407	17	9-10	2-0											
13	ϕ 3/8	29	2-10	408	13	1-4	1-0					0-6						TYPE 9
14	ϕ 3/8	12	5-8	409	17	3-8	2-0											TYPE 11
15	ϕ 3/8	12	8-0	410	17	6-0	2-0											
16	ϕ 3/8	12	4-0	411	17	2-0	2-0											
17	ϕ 3/8	10	7-4	412	1	0-7	6-2					0-7	0-5					
18	ϕ 3/8	8	8-8	413	1	0-7	7-6					0-7	0-5					
19																		
20	ϕ 3/8	178	6-6	301	17	5-6	1-0											
21	ϕ 3/8	86	6-0	302	17	5-0	1-0											
22	ϕ 3/8	35	4-0	303	17	2-0	2-0											
23	ϕ 3/8	5	5-0	304	17	2-0	1-0	2-0										
24	ϕ 3/8	12	3-8	305	1	3-8												
25																		
26																		
27																		
28																		
29																		
30																		
31																		
32																		
33																		
34																		
35																		
36																		
37																		
38																		
39																		
40																		

GREATER NAPANEE WATER SUPPLY & POLLUTION CONTROL BOARD
 78 EAST STREET, NAPANEE, ONTARIO, K7R 1S9 (613) 354-9338 FAX (613) 354-2838

PROJECT: **REINFORCING STEEL SCHEDULE**
CONTROL BUILDING
SEWAGE TREATMENT PLANT

APPROVED BY: _____ SPECIFICATIONS: _____
 DESIGNED BY: _____ DATE: **NOV 1952** SCALE: _____
 DRAWN BY: _____ DWG NO: **WPCP-1952/1-19 1/4**

NOTES

3. This schedule does not use types 59 and 11 as shown above.

4. Bar weights given are for estimating purposes only and payment will be made on the actual bar weights.

TOTAL WEIGHT THIS SHEET	3685
TOTAL WEIGHT PREVIOUS SHEET	4934
TOTAL WEIGHT	8619

TOWN OF NAPANEE
SEWAGE TREATMENT PLANT

CONTROL BUILDING REINFORCING

NO.	DATE	BY	REVISIONS
2	11/53	J.P.	ITEM 9 DIMENSION E CHANGED TO 5 1/2" FROM 8 1/2"
1	10/59	J.P.	501 from Type 21 to 17

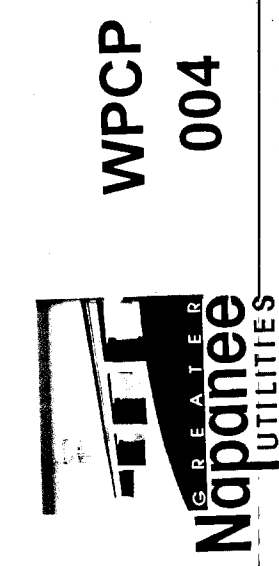
LEE AND BROOKS - CONSULTING ENGINEERS
 KINGSTON - ONTARIO

SCALE: _____ DATE: **30-11-52**

DWN: *J.P.* APPROVED: *J.P.* DRAWING: **5**

T.C.O. FILE: **26-340C-2**

CHKD. _____



REINFORCING STEEL SCHEDULE

SHEET 1 OF 2

LINE NO.	SIZE	LENGTH FT. - IN.	MARK	TYPE	DIMENSIONS											TOTAL WEIGHT	DETAIL OF BENDS	
					A	B	C	D	E	F	G	H	J	K	L			
1	5/8" φ	94	M-6 G29														1421	TYPE 1
2	10	18-0	G36														188	
3	10	16-0	G32														167	
4	5/8"	13-6	G27														788	
5	10	5-6	G11														57	TYPE 3
6	1/2" φ	47	H30														476	
7	16	17-0	H34														181	
8	15	15-6	H31														157	
9	16	14-6	H29														150	
10	2	12-0	H24														16	
11	4	10-0	H20														270	
12	2	9-6	H19														13	
13	2	7-0	H14														9	TYPE S9
14	1	6-6	H13														4	
15	2	5-0	H10														7	
16	2	3-6	H7														5	
17	16	2-0	H4														21	TYPE T1
18	3/8" φ	16	17-6	J35													105	
19	80	17-0	J34														511	
20	20	16-0	J32														120	TYPE
21	32	14-0	J28														169	
22	4	3-0	J6														5	
23	4	2-6	J5														4	
24	394	1-6	J3														190	TYPE
25																		
26																		
27																		
28																		
29																		
30																		
31																		
32																		
33																		
34																		
35																		
36																		
37																		
38																		
39																		
40																		

- NOTES**
- All bars to be "Hi-Bond" deformed, medium grade reinforcing steel conforming with ASTM-A 905
 - This sheet for straight bars only

GREATHER NAPANEE WATER SUPPLY & POLLUTION CONTROL BOARD
 75 EAST STREET, NAPANEE, ONTARIO K7R 1S3 (613) 354-9338 FAX (613) 354-2336

PROJECT: REINFORCING STEEL SCHEDULE
 CONTROL BUILDING
 SEWAGE TREATMENT PLANT

APPROVED BY: _____ **SCALE:** _____
DESIGNED BY: _____ **DATE:** NOV 1952
DRAWN BY: _____ **DWG NO.:** WPCP-1952/1 - No 2/4

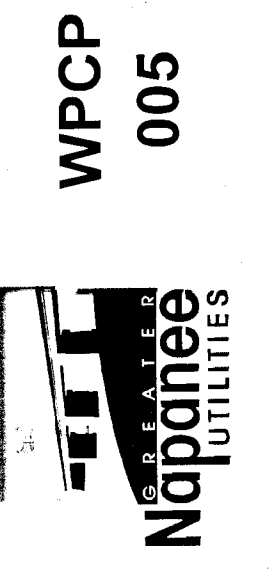
TOTAL WEIGHT THIS SHEET	4934	BEND DETAILS AND DIMENSIONS ARE BASED ON STANDARD PRACTICE PROPOSED BY THE AMERICAN CONCRETE INSTITUTE
TOTAL WEIGHT PREVIOUS SHEET		
TOTAL WEIGHT	4934	

TOWN OF NAPANEE
SEWAGE TREATMENT PLANT

CONTROL BUILDING REINFORCING

LEE AND BROOKS - CONSULTING ENGINEERS KINGSTON - ONTARIO	
SCALE	DATE 30-11-52
DWN. J.P.	APPROVED [Signature]
T.C.D.	FILE 26-340C-1
CHKD.	DRAWING 5 A

NO.	DATE	BY	REMARKS



REINFORCING STEEL SCHEDULE

SHEET 1 OF 1

LINE NO.	SIZE	NO. OF BARS	LENGTH FT.-IN.	MARK	T.M.	DIMENSIONS											TOTAL WEIGHT	DETAIL OF BENDS	
						A	B	C	D	E	F	G	H	J	K	L			
1	1/2" φ	139	22-6	RH45														TYPE 1	
2		85	21-6	RH43															
3		8	19-6	RH39															
4		36	17-0	RH34															
5		70	11-0	RH22															
6		284	7-6	RH15															
7		142	7-0	RH14															
8		16	6-6	RH13															
9		6	5-6	RH11															
10		13	4-6	RH-9															
11		2	4-0	RH-8															
12		11	3-6	RH-7															
13																			
14																			
15																			
16		142	4-9	R401	1														
17		320	3-6	R402	21														
18		6	2-10	R403	1														
19		1	15-0	R404	10														
20		2	17-0	R405	21														
21		2	23-0	R406	21														
22		142	5-0	R407	20														
23																			
24																			
25																			
26																			
27																			
28																			
29																			
30																			
31																			
32																			
33																			
34																			
35																			
36																			
37																			
38																			
39																			
40																			

GREATER NAPANEE WATER SUPPLY & POLLUTION CONTROL BOARD
 75 EAST STREET, NAPANEE, ONTARIO, K7R 1S3 (613) 354-9338 FAX (613) 354-2338

PROJECT: **REINFORCING STEEL SCHEDULE**
CLARIFIER
SEWAGE TREATMENT PLANT

APPROVED BY: _____ SPECIFICATIONS: _____
 DESIGNED BY: _____ DATE: **NOV 1952** SCALE: _____
 DRAWN BY: _____ DWG NO.: **WPCP - 1952/1 - No 3/4**

TOTAL WEIGHT THIS SHEET	8217
TOTAL WEIGHT PREVIOUS SHEET	
TOTAL WEIGHT	8217

NOTES

- All bars to be "Hi-bond" deformed, medium grade reinforcing steel conforming with A.S.T.M. - A305.
- This schedule does not use types 1, 3, 5, 9, or 11 as shown above.
- Bar weights given are for estimating purposes only and payment will be made on the actual bar weights.

WPCP 006

GREATER NAPANEE UTILITIES

CLARIFIER REINFORCING

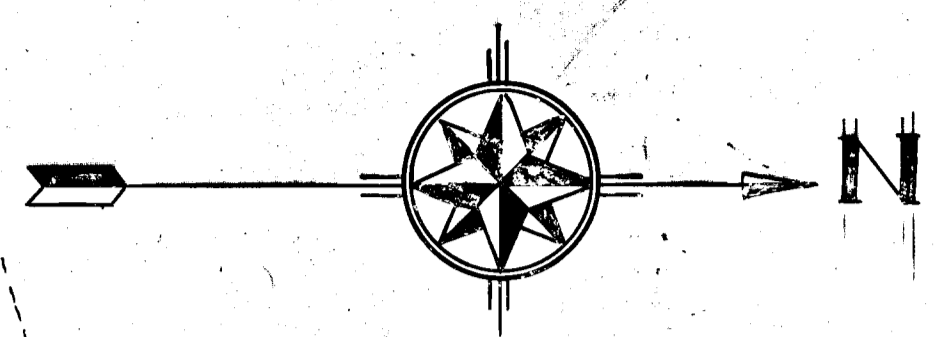
TOWN OF NAPANEE
SEWAGE TREATMENT PLANT

BEND DETAILS AND DIMENSIONS ARE BASED ON STANDARD PRACTICE PROPOSED BY THE AMERICAN CONCRETE INSTITUTE

LEE AND BROOKS - CONSULTING ENGINEERS
KINGSTON - ONTARIO

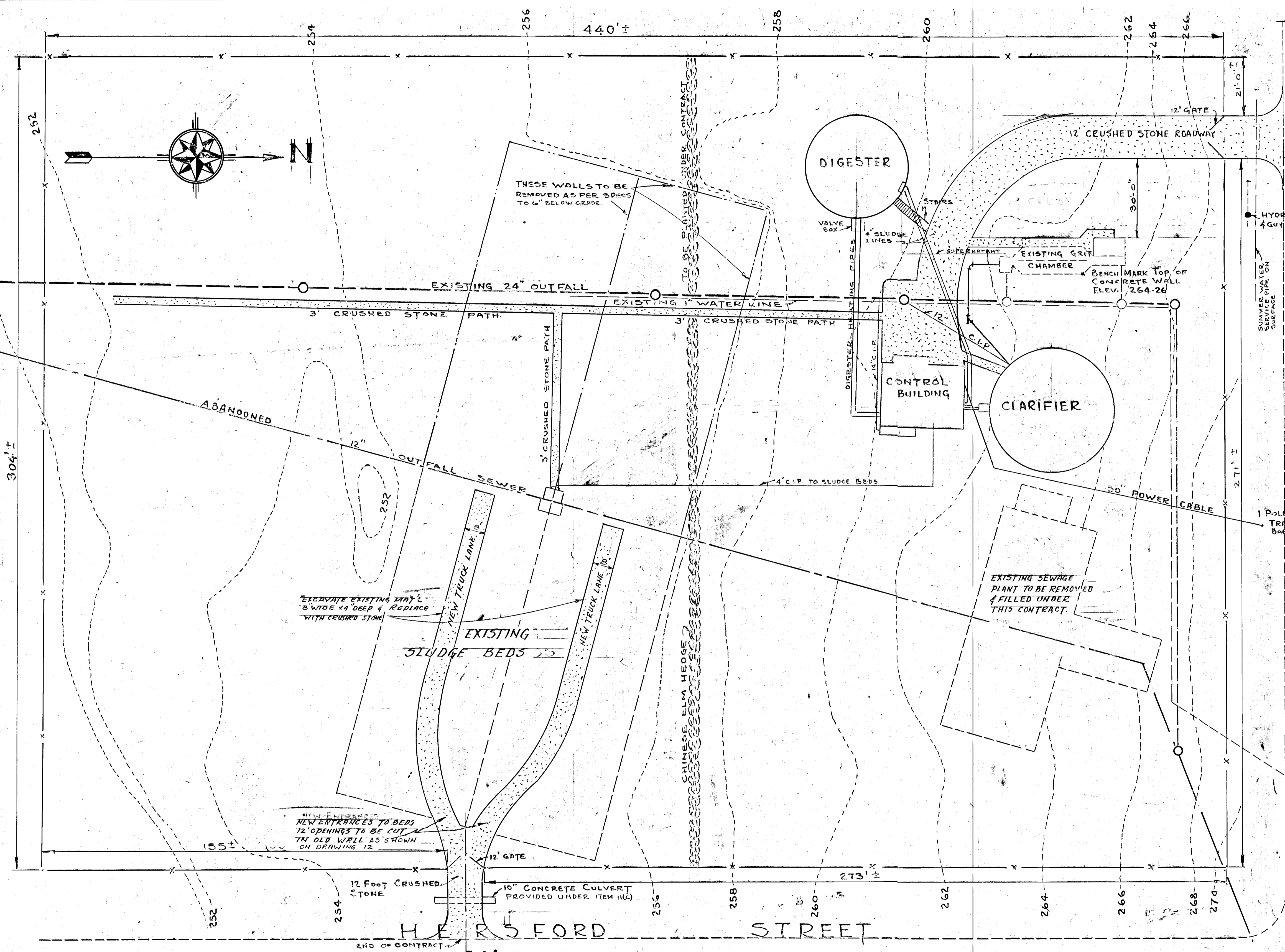
SCALE: **30 - 11 - 52**
 DWN. *JEP* APPROVED *JEP* DRAWING **9**
 T.C.D. FILE **26-344C-II**
 CHKD. _____

BOAT HOUSE



NAPANEE RIVER

WATER STREET



- KEY**
- NEW WORK
 - EXISTING WORK
 - EXISTING CONTOURS
 - X CHAIN LINK FENCE
 - ROAD OR PATH UNDER CONTRACT



GREATER NAPANEE WATER SUPPLY & POLLUTION CONTROL BOARD
 75 EAST STREET, NAPANEE, ONTARIO N0R 1S3 (819) 354-9338 FAX (819) 354-2935

PROJECT: **SITE PLAN**

SEWAGE TREATMENT PLANT

APPROVED BY: _____ SPECIFICATIONS: _____

DESIGNED BY: _____ DATE: **NOV. 1952** SCALE: **AS SHOWN**

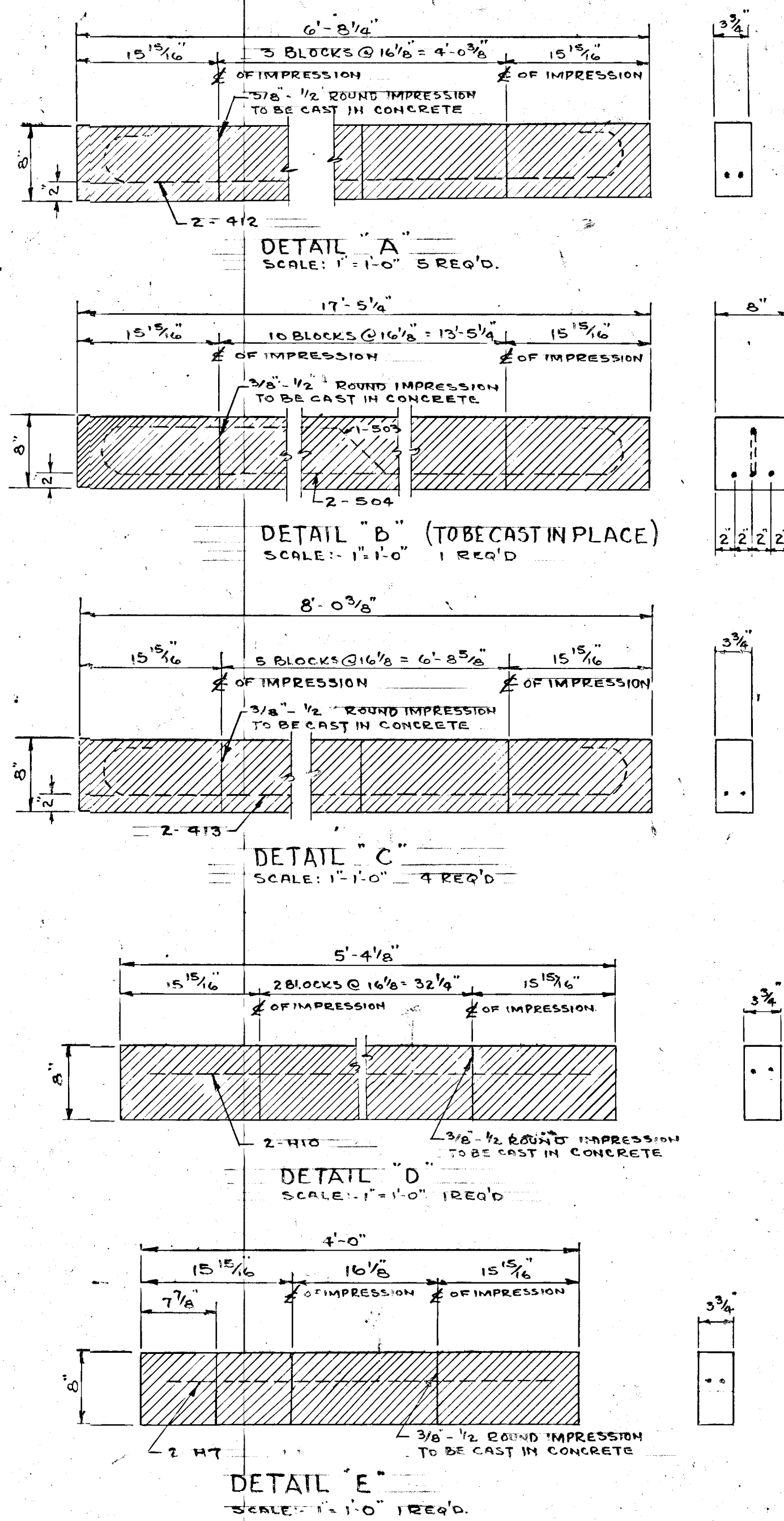
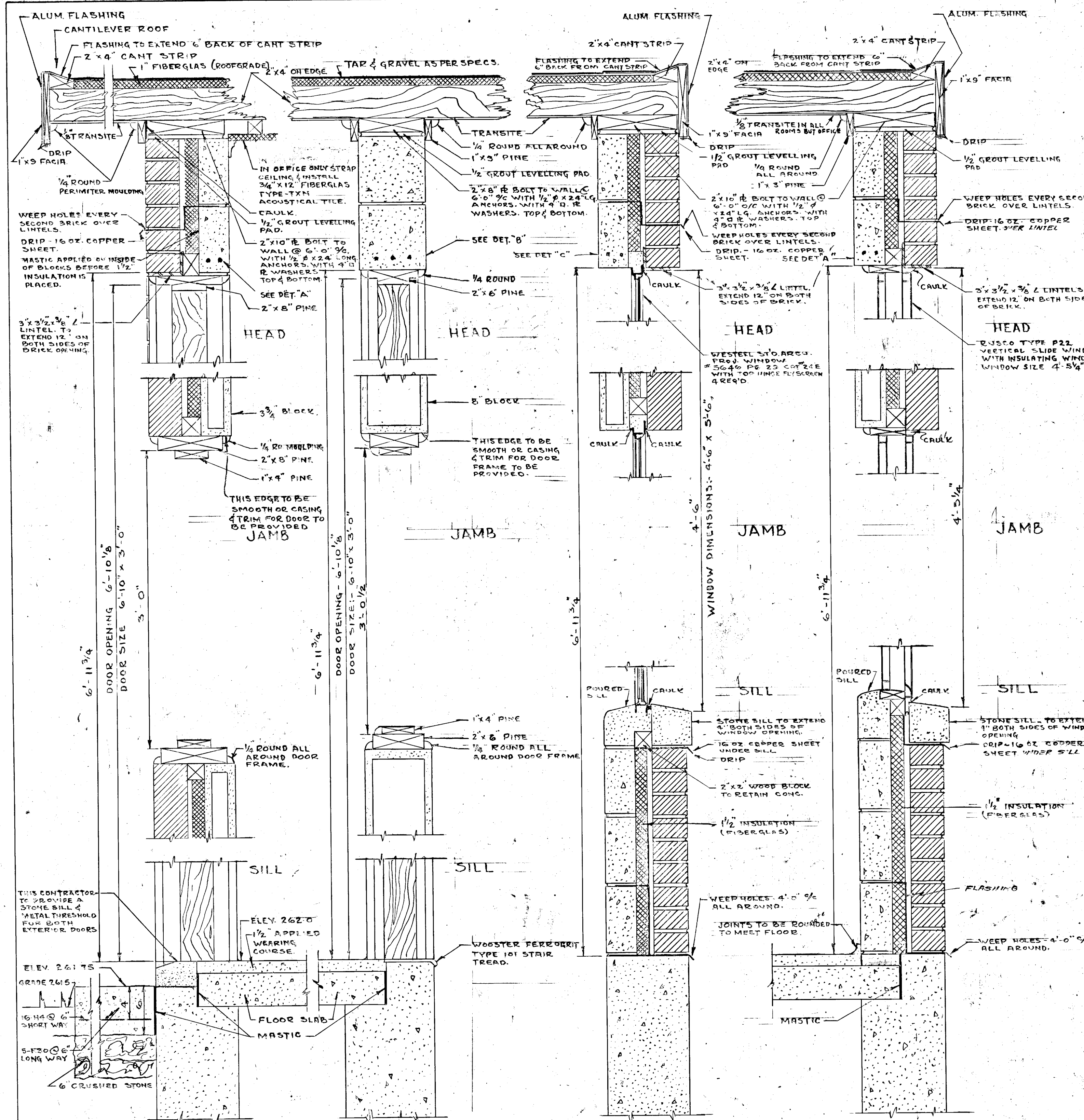
DRAWN BY: _____ DWG NO: **W.P.C.P.-1952/2-SITE-NO 1/12**

**TOWN OF NAPANEE
SEWAGE TREATMENT PLANT**

SITE PLAN

LEE & BROOKS - CONSULTING ENGINEERS KINGSTON - ONTARIO	
SCALE - 1" = 20'	DATE: 30/11/52
DWN N.D.S. APPROVED	DRAWING
TRD: SHR	FILE: 26-336 C
CH'D:	26-336 C

NO	DATE	DESCRIPTION
REVISIONS		



HAYDITE LINTEL DETAILS

GENERAL NOTES:

- 1 - ALL LINTELS TO BE CAST FROM 3000 WY HAYDITE CONCRETE MIXED & PLACED AS PER THE MANUFACTURE'S INSTRUCTIONS.
- 2 - WEEP HOLES IN BRICK TO BE FORMED USING A 3/8" GREASED BAR MORTARED IN PLACE & WITHDRAWN AFTER THE MORTAR HAS SET.
- 3 - FALSE JOINTS TO BE CUT IN 4 UNITS AFTER ERECTION OR CAST IN PLACE.

EXTERIOR DOOR DETAIL SCALE: 1/2" = 1'-0"
 INTERIOR DOOR DETAIL SCALE: 1/2" = 1'-0"
 WESTEEL WINDOW DETAIL SCALE: 1/2" = 1'-0"
 RUSCO WINDOW DETAIL SCALE: 1/2" = 1'-0"



WPCP 011

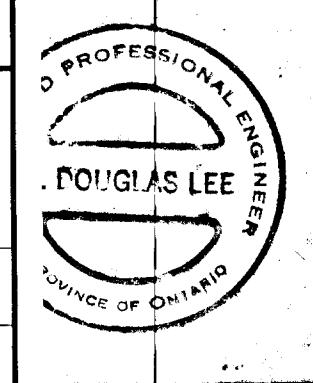
GREATER NAPANEE WATER SUPPLY & POLLUTION CONTROL BOARD
 75 EAST STREET, NAPANEE, ONTARIO N7R 1S3 (813) 354-8338 FAX (813) 354-2838

PROJECT: CONTROL BUILDING - STRUCTURAL
 SEWAGE TREATMENT PLANT

APPROVED BY: _____ SPECIFICATIONS

DESIGNED BY: _____ DATE: NOV. 1952 SCALE: AS SHOWN

DRAWN BY: _____ DWG NO: WPCP-1952/2-STR-Nº 4/12



TOWN OF NAPANEE
 SEWAGE TREATMENT PLANT

CONTROL BUILDING STRUCTURAL

LEE & BROOKS - CONSULTING ENGINEERS
 KINGSTON - ONTARIO

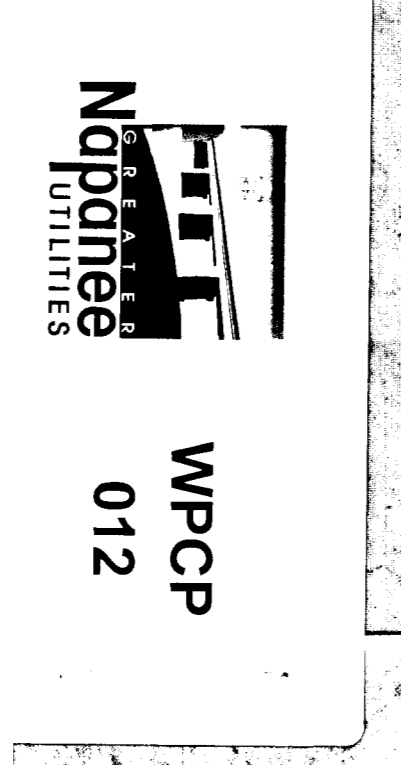
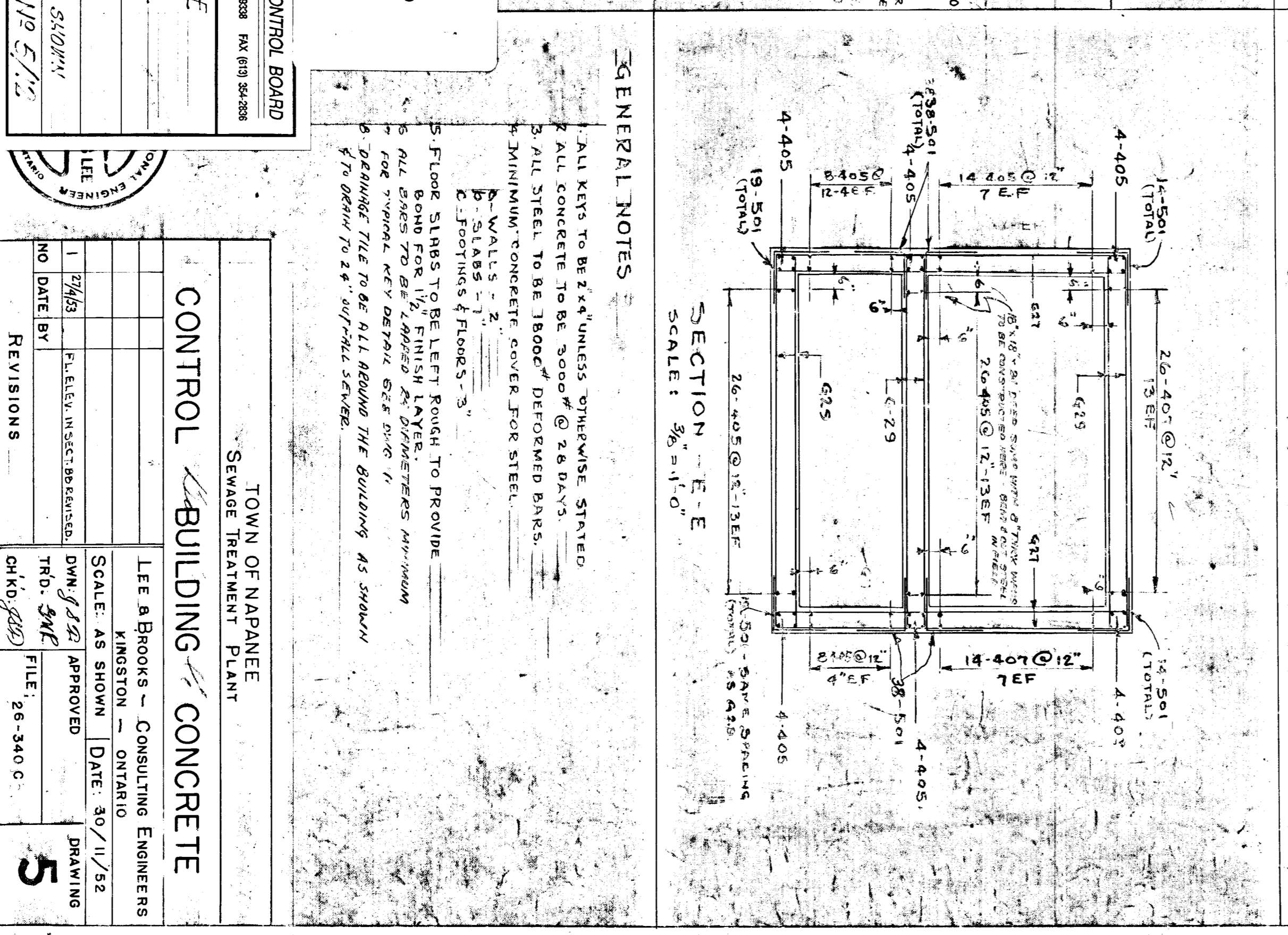
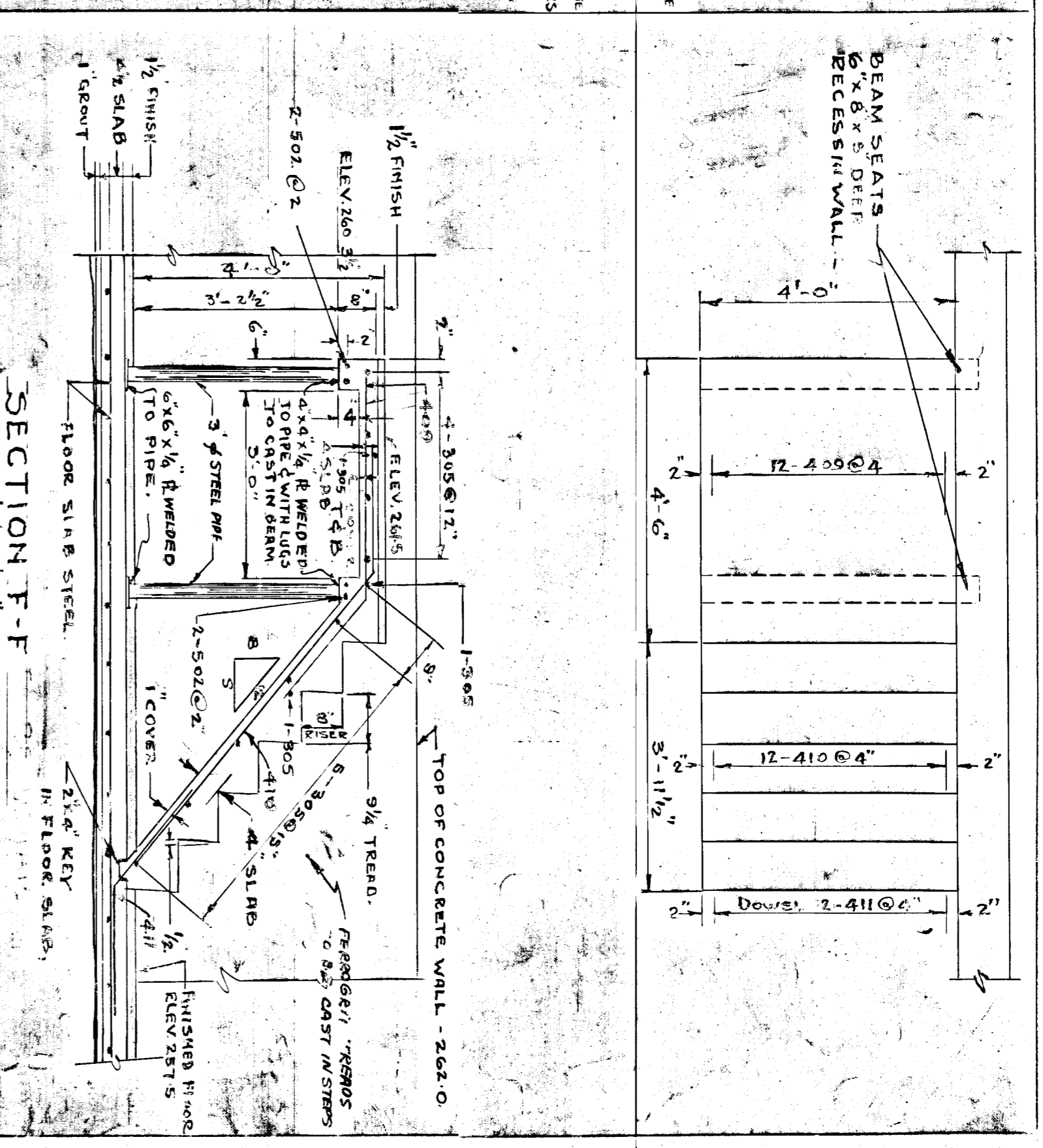
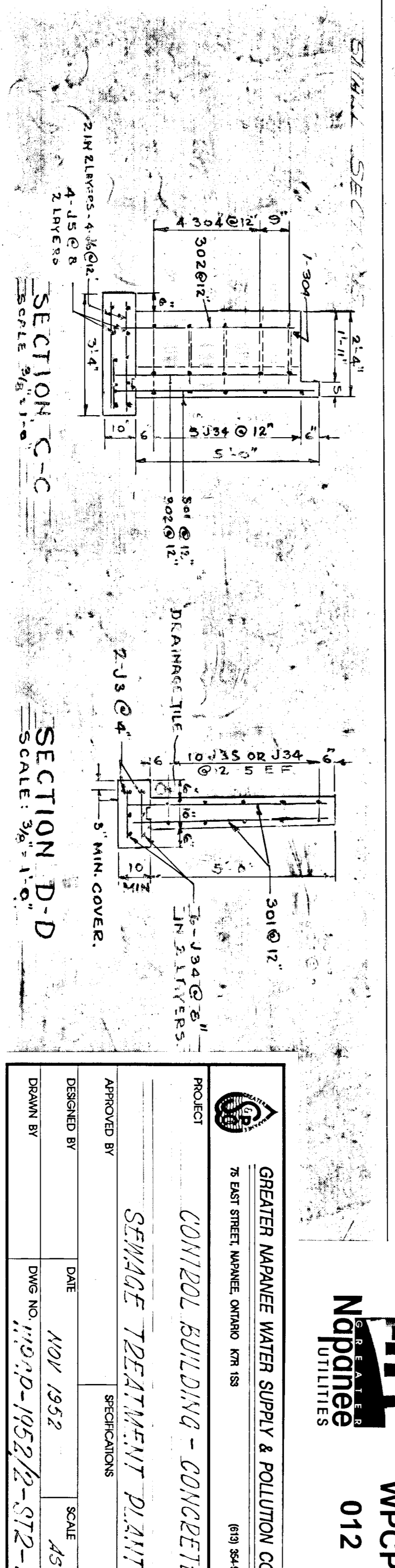
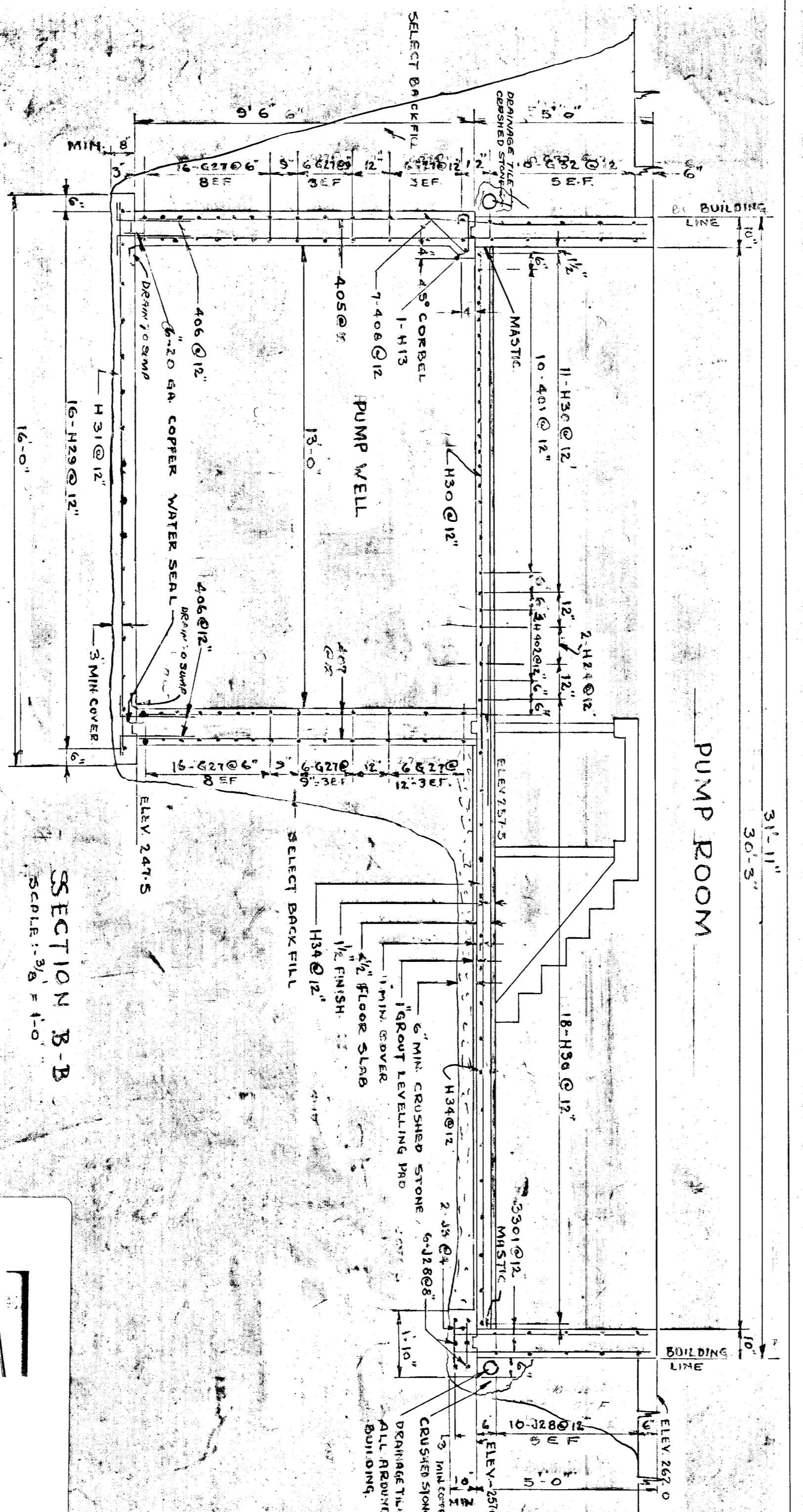
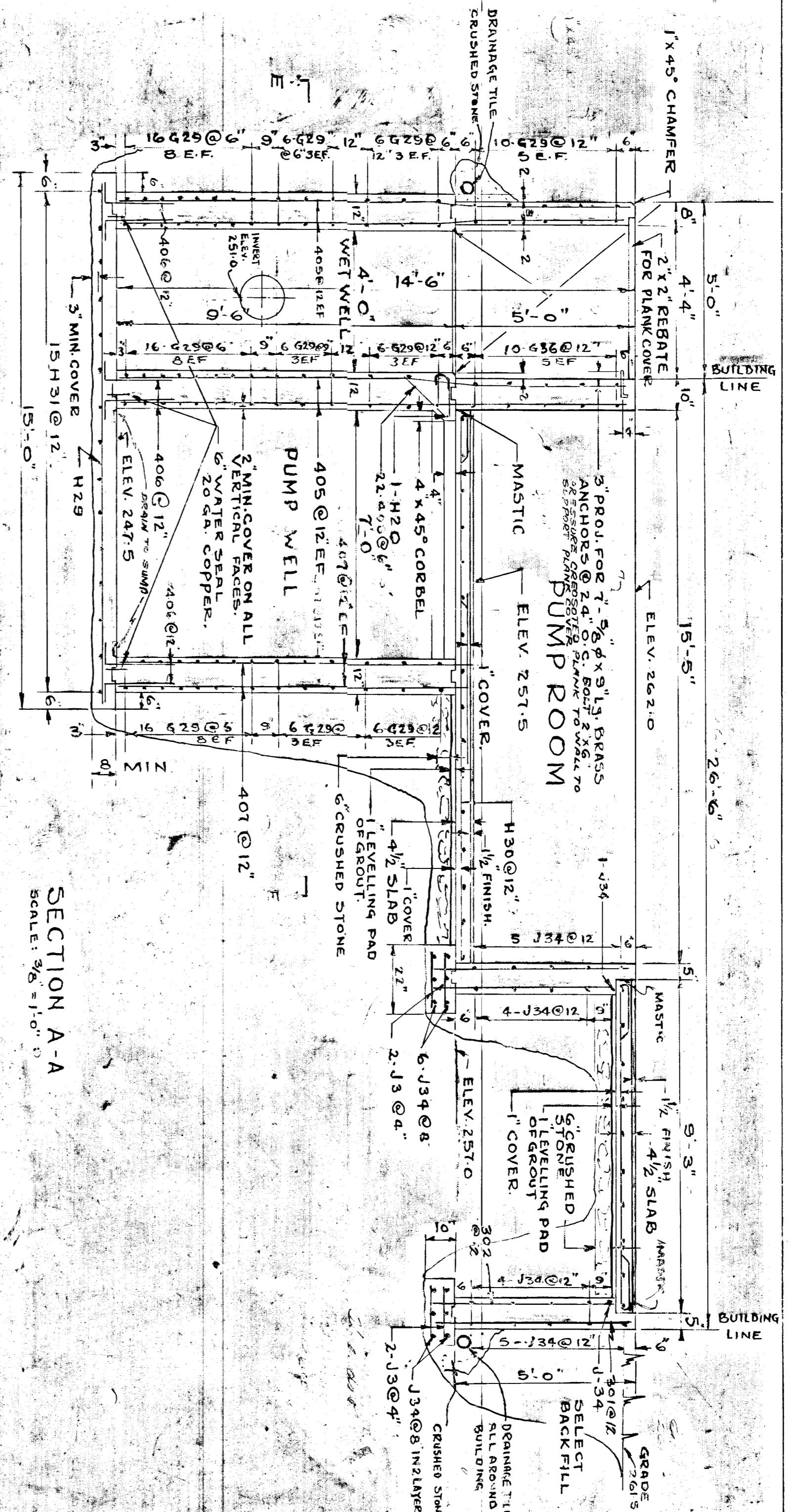
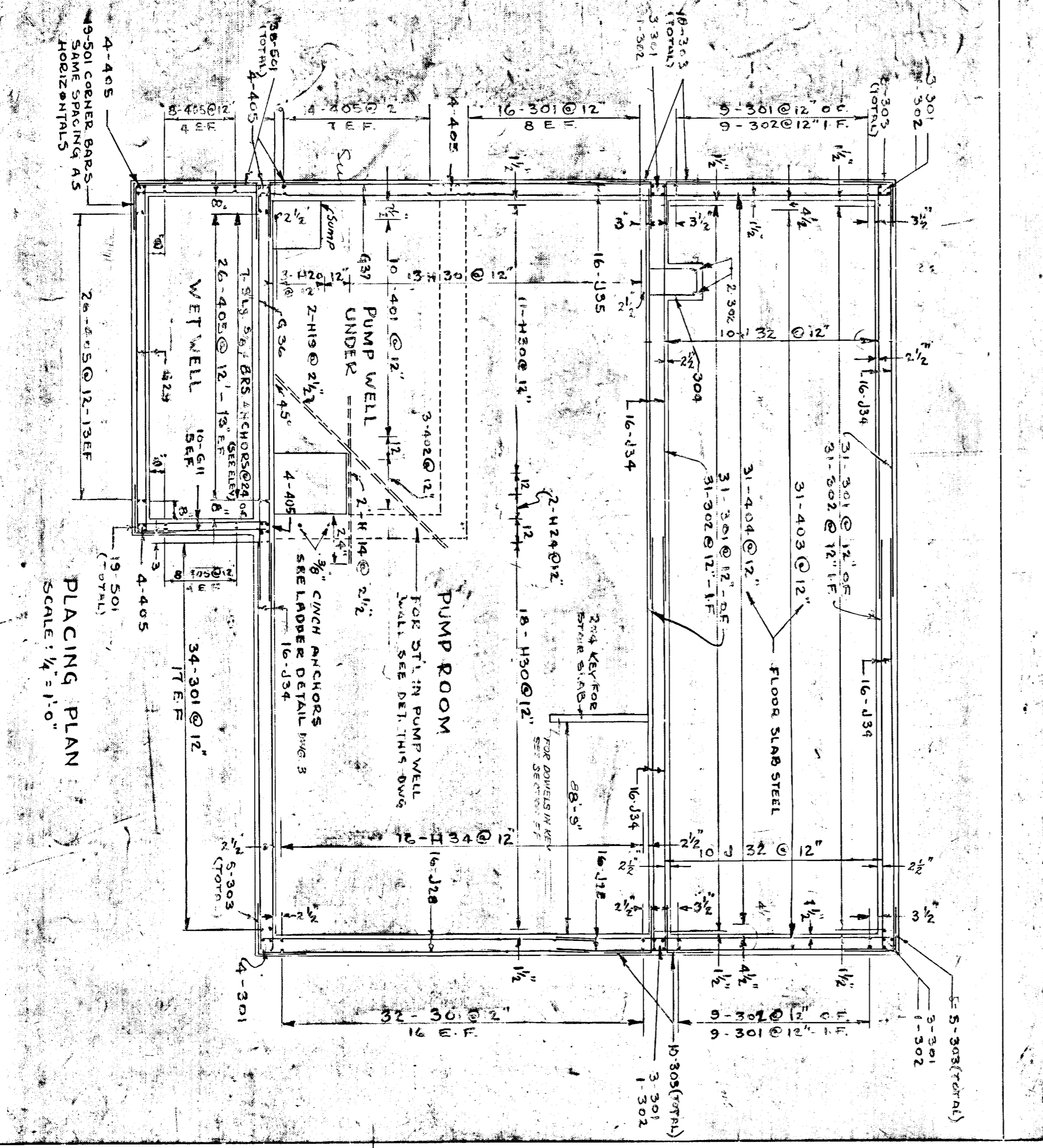
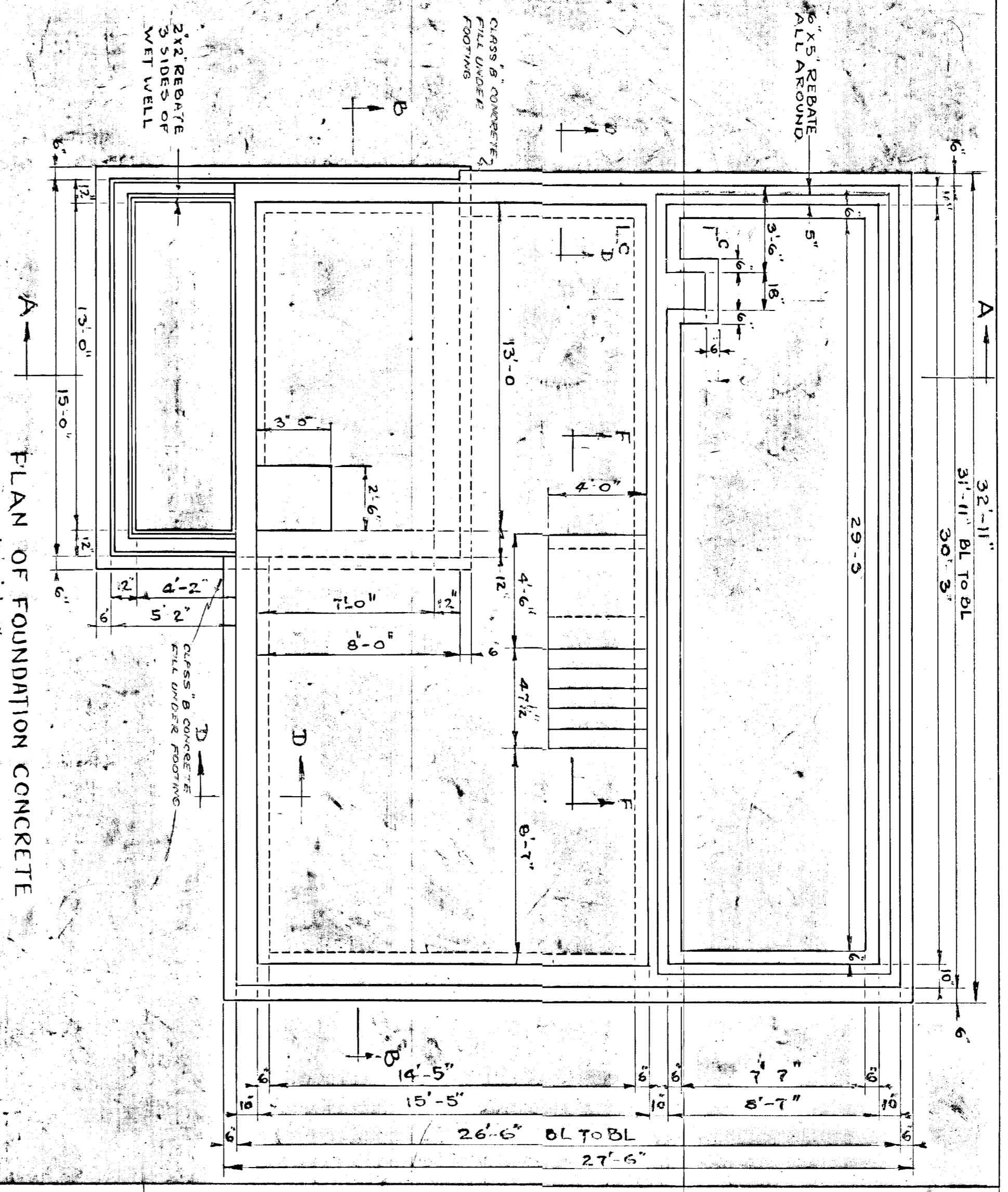
SCALE: AS SHOWN DATE: 30/11/52

DWN: J.S.D. APPROVED: M.L. DR: WING
 TRD: J.H. FILE: 26-3390

NO. 43/153 / LINTELS FILED IN

BY	DATE	NO.	DESCRIPTION

REVISIONS

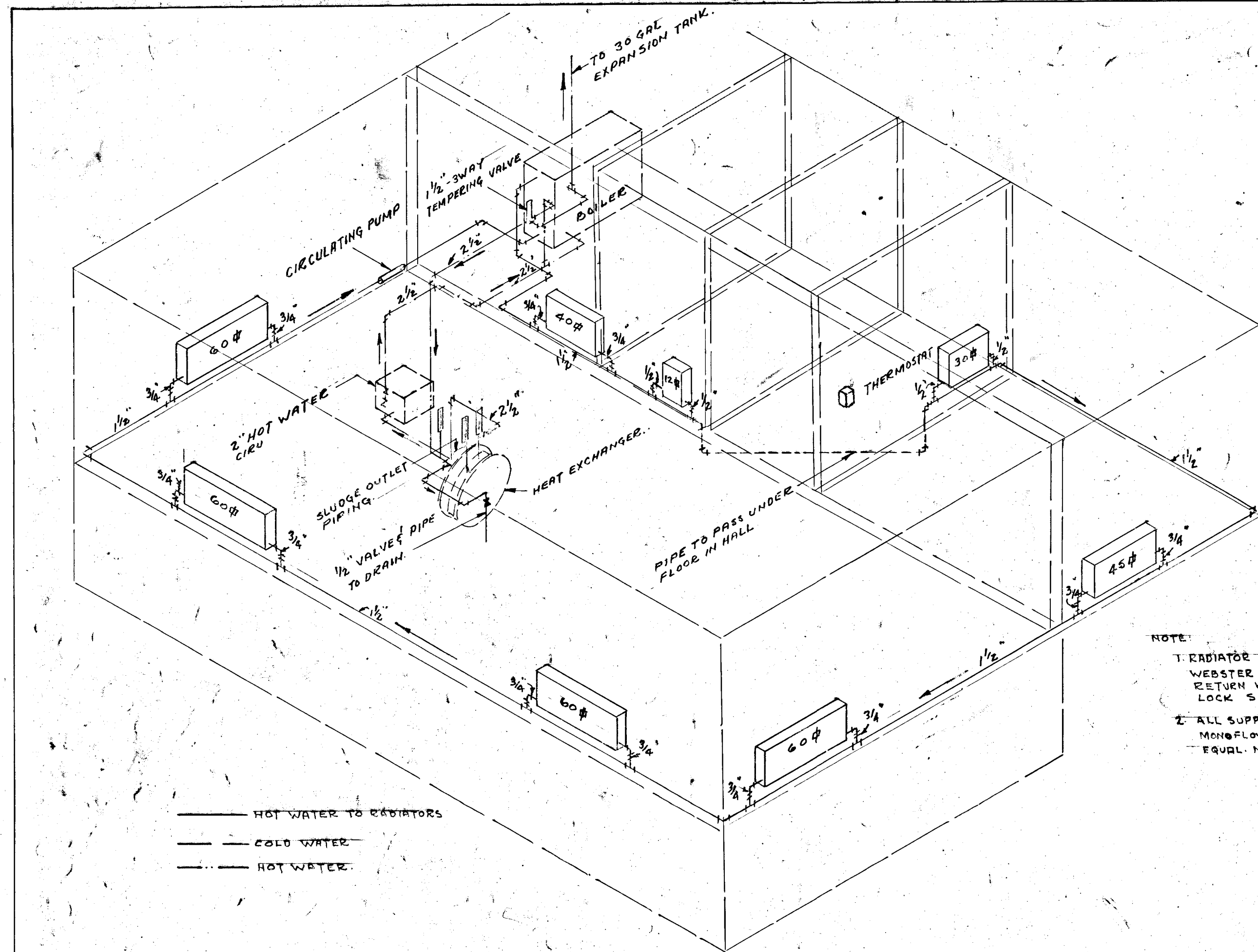


PROJECT	GREATER NAPANEE WATER SUPPLY & POLLUTION CONTROL BOARD
CONTRACT	CONTROL BUILDING - CONCRETE
DESIGNED BY	SEWAGE TREATMENT DIVISION
DATE	NOV 1952
DWG NO.	110-22-1052/2-572-1P 5/12
APPROVED BY	
SCALE	AS SHOWN
NO DATE BY	
REVISIONS	

TOWN OF NAPANEE	
SEWAGE TREATMENT PLANT	
CONTROL BUILDING - CONCRETE	
DESIGNED BY	LEE & BROOKS - CONSULTING ENGINEERS
DATE	KINGSTON ONTARIO
SCALE	AS SHOWN
DWG NO.	110-22-1052/2-572-1P 5/12
APPROVED BY	
DATE	NOV 30 1952
NO DATE BY	
REVISIONS	
NO DATE BY	
REVISIONS	

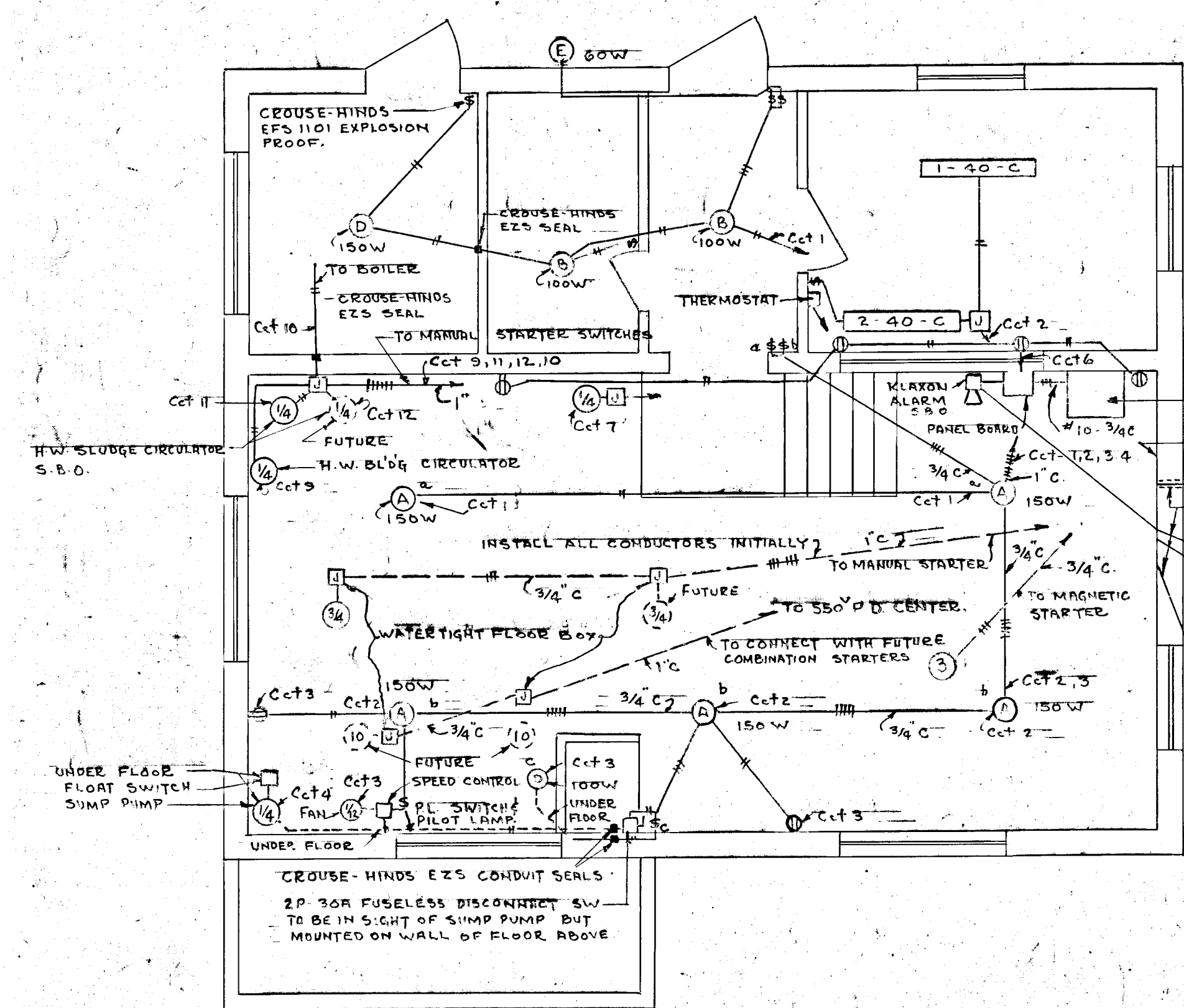
GENERAL NOTES

1. ALL KEYS TO BE 3/4" UNLESS OTHERWISE STATED
2. ALL CONCRETE TO BE 3000# @ 28 DAYS
3. ALL STEEL TO BE 18000# DEFORMED BARS
4. MINIMUM CONCRETE COVER FOR STEEL
5. FLOOR SLABS TO BE VERY ROUGH TO PROVIDE
6. ALL DIMENSIONS TO FACE UNLESS OTHERWISE NOTED
7. SEE TYPICAL KEY DETAIL FOR DIMENSIONS
8. BEARING TILE TO BE ALL ROUND THE BUILDING AS SHOWN & TO BE 24" W/CHALK SEWER



HEATING DIAGRAM

NOTE:
 1. RADIATOR SUPPLY VALVES TO BE WEBSTER OR EQUAL & RADIATOR RETURN VALVES TO BE CRANE LOCK SHIELD OR EQUAL
 2. ALL SUPPLY & RETURN TEES TO BE MONIFLOW (S.A. ARMSTRONG) OR EQUAL. MIN. DISTANCE BETWEEN TEES - 30"



OFF BUTTON AT DIGESTER FOR DISTANCE & LOCATION SEE DWG - 2 S.B.O.

3/4" #14 ENAMELED PARKWAY CABLE WITH DOUBLE STEEL TAPE ARMOURING OVER LEAD.

BURY IN TRENCH 12" DEEP WITHOUT ADDITIONAL COVERING.

550V TRANSFORMER

550V METERING & CONTROL EQUIPMENT TO BE MOUNTED ON THIS WALL.

CONDUIT SLEEVES AS PER SPECS.

CONDUIT BURIED 12" DEEP MIN.

WATER TIGHT JUNCTION BOX

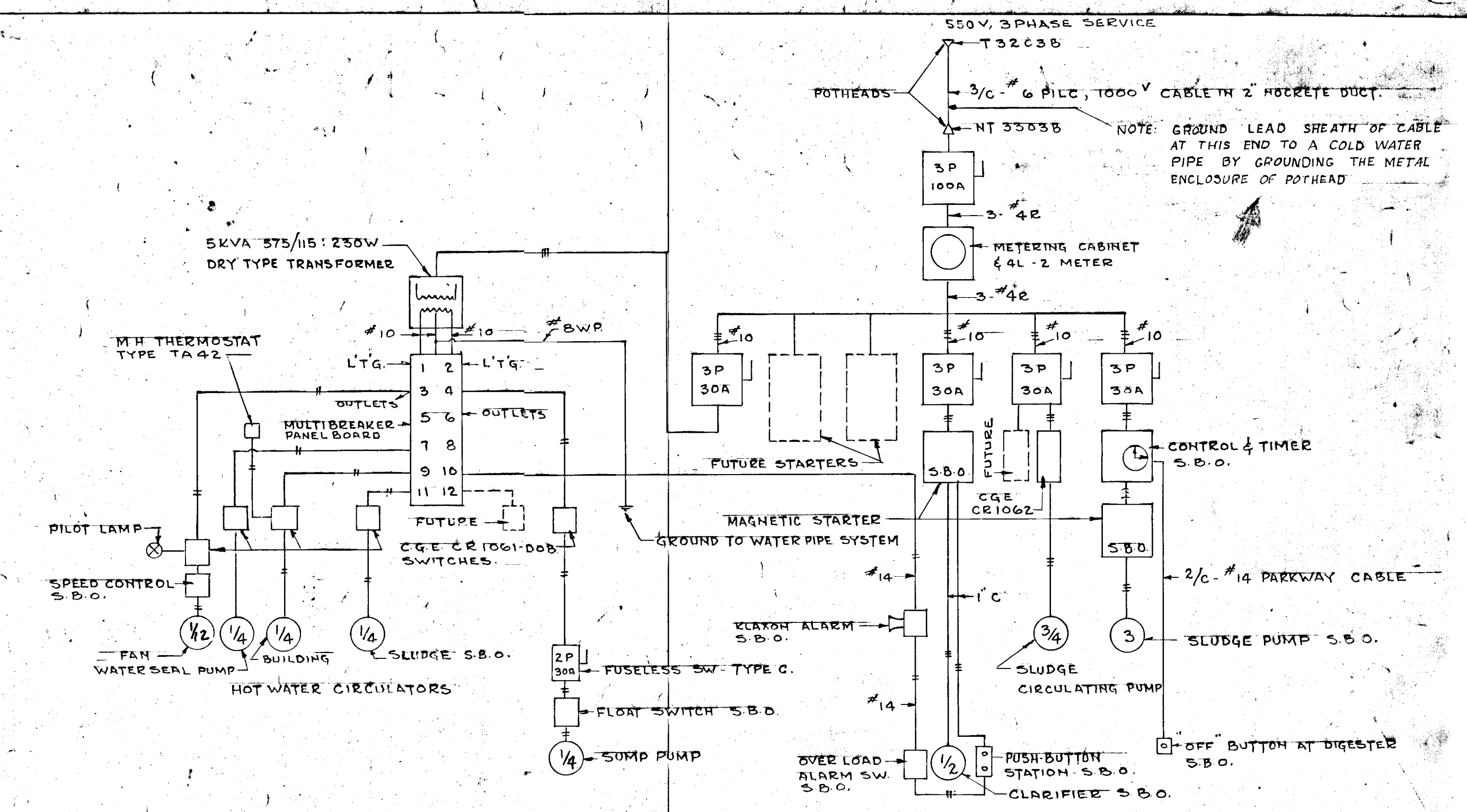
3" RENEWAL SW S.B.O. FOR LOCATION SEE DWG - 2 SUPPLIED BY OWNER.

P.B. STATION S.B.O.

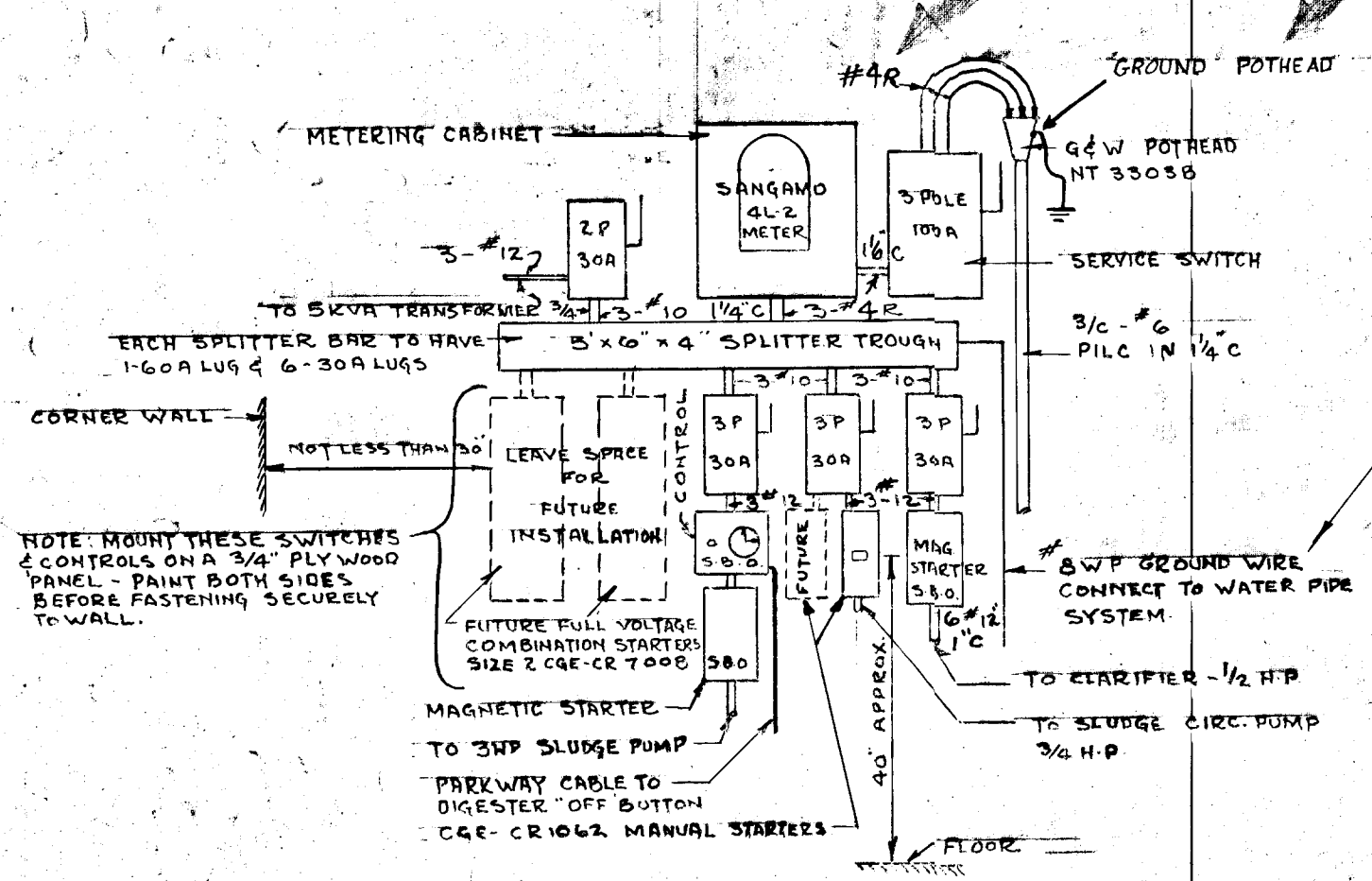
FOR LOCATION & DISTANCES SEE SITE PLAN.

2" CORNWALL HOBBITE DUCT FOR 550V SERVICE CABLE - 3/4" #6 PILC - 1000V CABLE IS TO TERMINATE IN A 6" W. POTHEAD AT 2503B ON POLE IN CLOSE PROXIMITY TO 550V TRANSFORMER OR AERIAL CIRCUIT

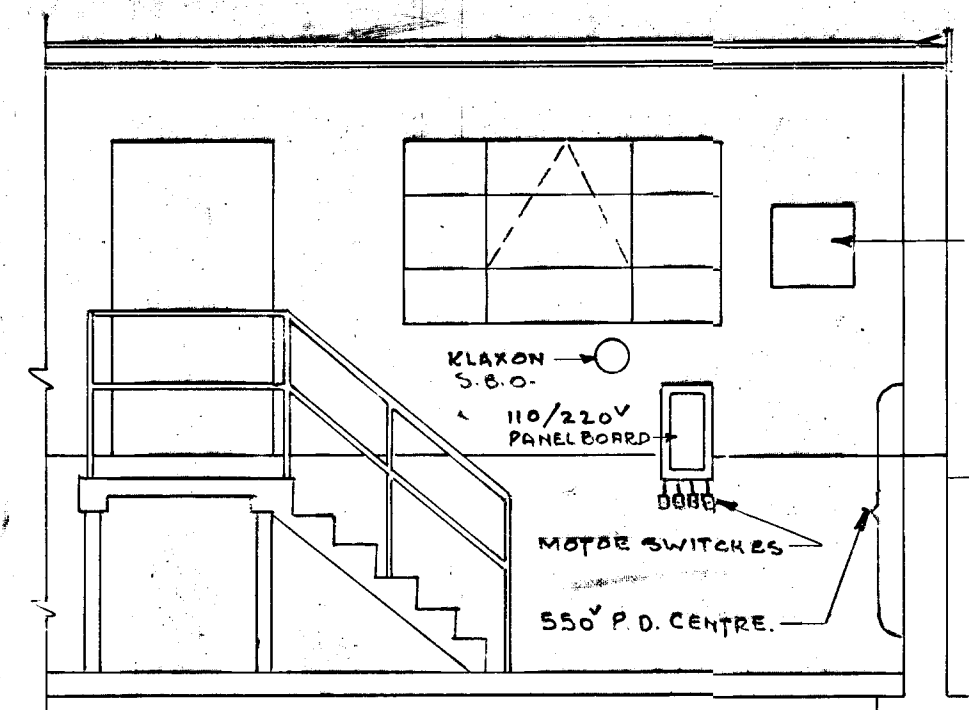
CABLES TO BE PROTECTED ON POLE BY GALVANIZED U-SHAPE CABLE GUARD RUNNING FROM GROUND TO POTHEAD. DUCT SHOULD BE BURIED 2 FEET DEEP & SHOULD SLOPE TOWARD BUILDING ABOUT 1" IN 100'. DUCT LINE SHOULD CONTAIN ONE EXPANSION JOINT AT ABOUT ITS MID POINT.



SINGLE & THREE PHASE RISER DIAGRAM



550 VOLT POWER DISTRIBUTION CENTER



110 VOLT DISTRIBUTION CENTER

NOTE: THIS GROUND IS FOR THE METAL ENCLOSURES OF THE SWITCHES, STARTERS, TROUGH, ETC. IT IS NOT FOR THE 550 VOLT SYSTEM ITSELF - NO PART OF WHICH IS TO BE GROUNDED.

SYMBOLS

- ⊞ - SINGLE POLE FLUSH TUMBLER SWITCH - SURFACE MOUNTED.
- ⊙ - PILOT LAMP BEHIND RED BULL'S EYE IN SURFACE RECEPTACLE.
- ⊕ - 15 AMP DUPLEX CONVENIENCE RECEPTACLE.
- — — - RIGID GALVANIZED CONDUIT - ON WALLS & CEILING.
- — — - RIGID GALVANIZED CONDUIT - EMBEDDED IN CONCRETE.
- — — - RIGID GALVANIZED CONDUIT - UNDER FLOOR.
- — — - INDICATES 3 WIRES - #12 UNLESS OTHERWISE SHOWN.
- ⊞ - JUNCTION BOX.
- ③ - MOTOR - NUMERAL INDICATES HORSEPOWER.
- ⑩ - MOTOR - TO BE INSTALLED IN FUTURE.
- 1-2-0 - SINGLE 40W FLUORESCENT LAMP FIXTURE.
- 2-2-0 - TWO 40W FLUORESCENT LAMP FIXTURE.
- Ⓢ - INCANDESCENT LIGHTING FIXTURE - TYPE "B" ETC.
- Ⓢ - CONDUIT SEAL - CROUSE-HINDS - TYPE EZZ.
- 3P 30A - 3 POLE 30A TYPE "C" FUSED INDUSTRIAL SAFETY SWITCH VOLTAGE RATING TO CORRESPOND WITH CIRCUIT.
- Ⓢ - PUSH BUTTON STATION.
- S.B.O. - SUPPLIED BY OWNER.

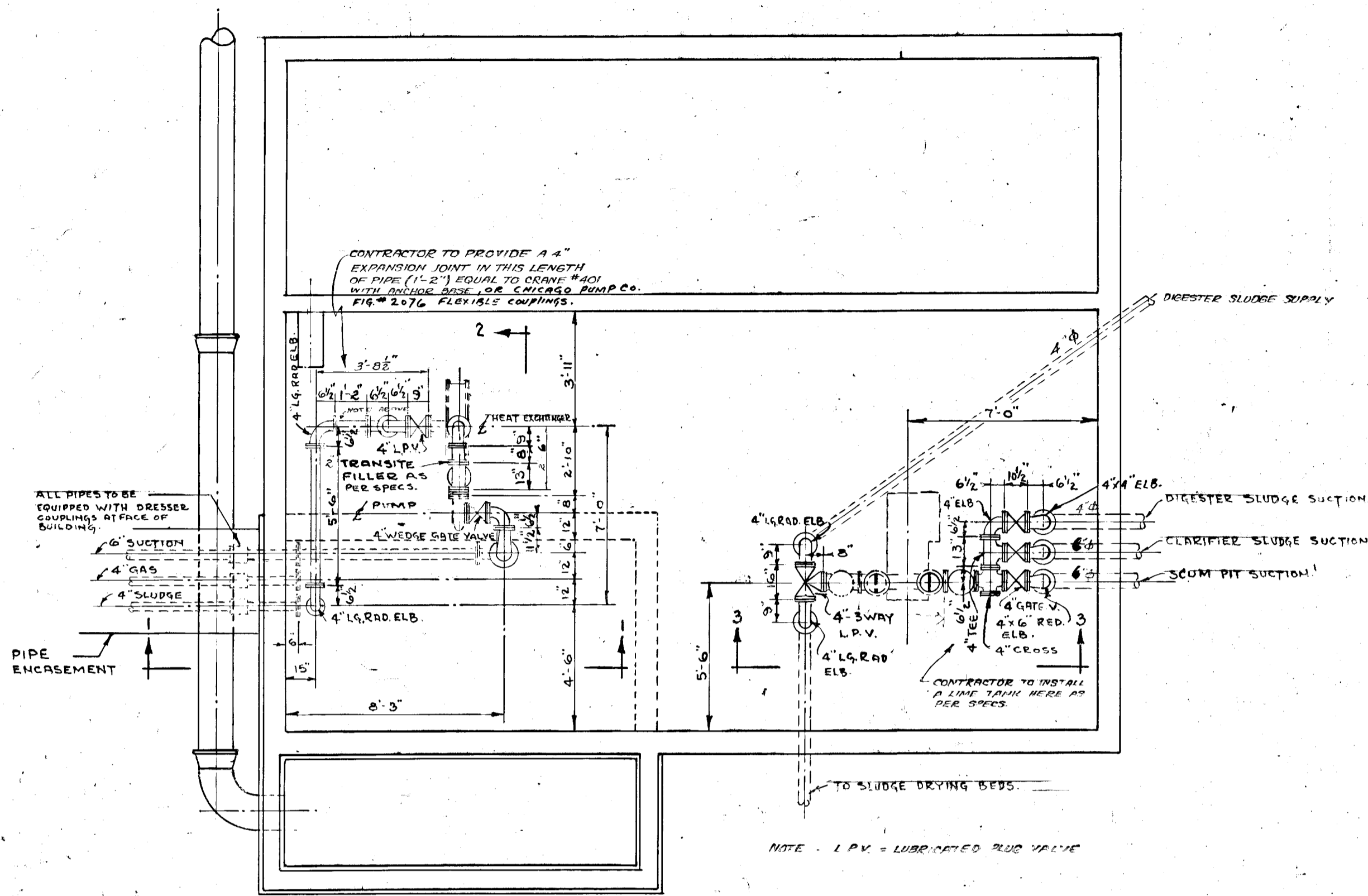


WPCP 013

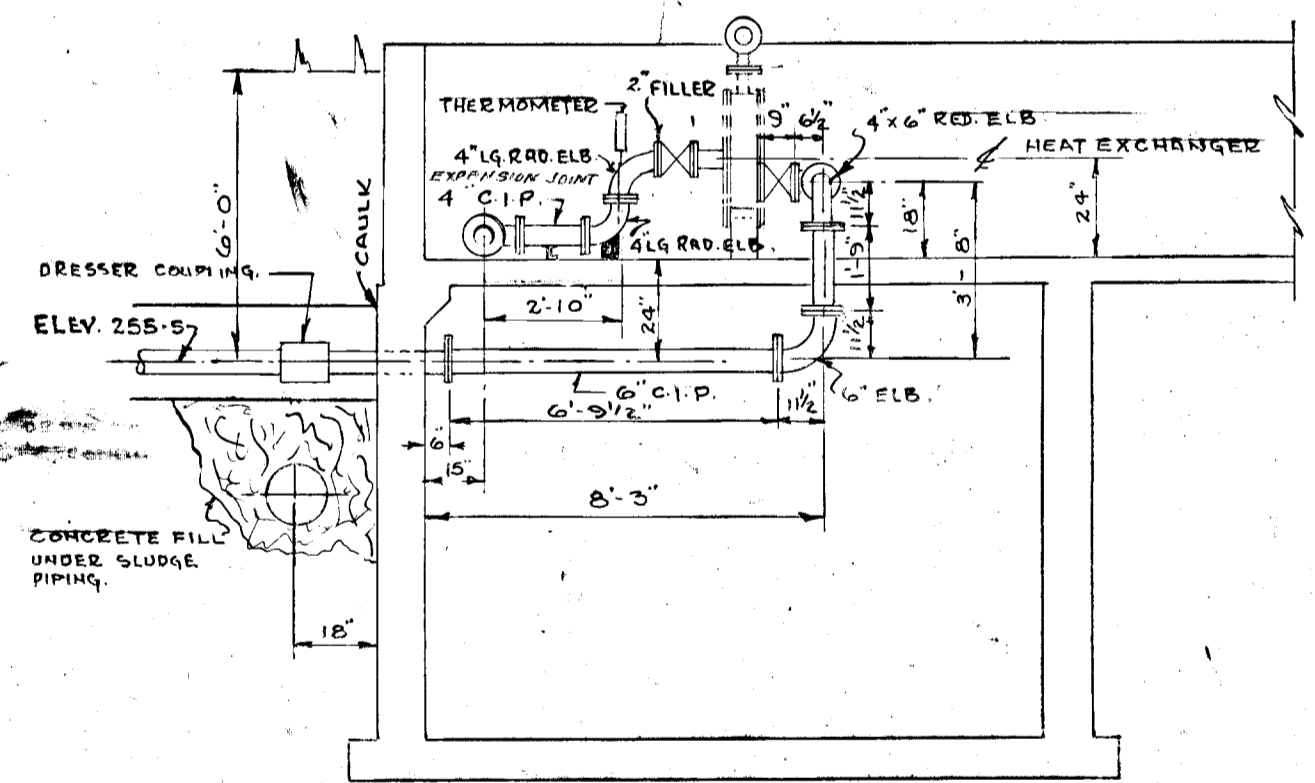
GREATER NAPANEE WATER SUPPLY & POLLUTION CONTROL BOARD	
75 EAST STREET, NAPANEE, ONTARIO K0R 1S8 (819) 354-2338 FAX (819) 354-2338	
PROJECT CONTROL BUILDING - ELECTRICAL & HEATING	
SEWAGE TREATMENT PLANT	
APPROVED BY _____	SPECIFICATIONS _____
DESIGNED BY _____	DATE NOV 1952 SCALE AS SHOWN
DRAWN BY _____	DWG NO. WPCP-1952/2-ELEC-NO 6/12

LEE & BROOKS - CONSULTING ENGINEERS KINGSTON - ONTARIO	
SCALE: AS SHOWN	DATE: 30/11/52
DWN: _____	APPROVED: _____
TRD: _____	FILE: _____
CHKD: HSP	26-3410
6	

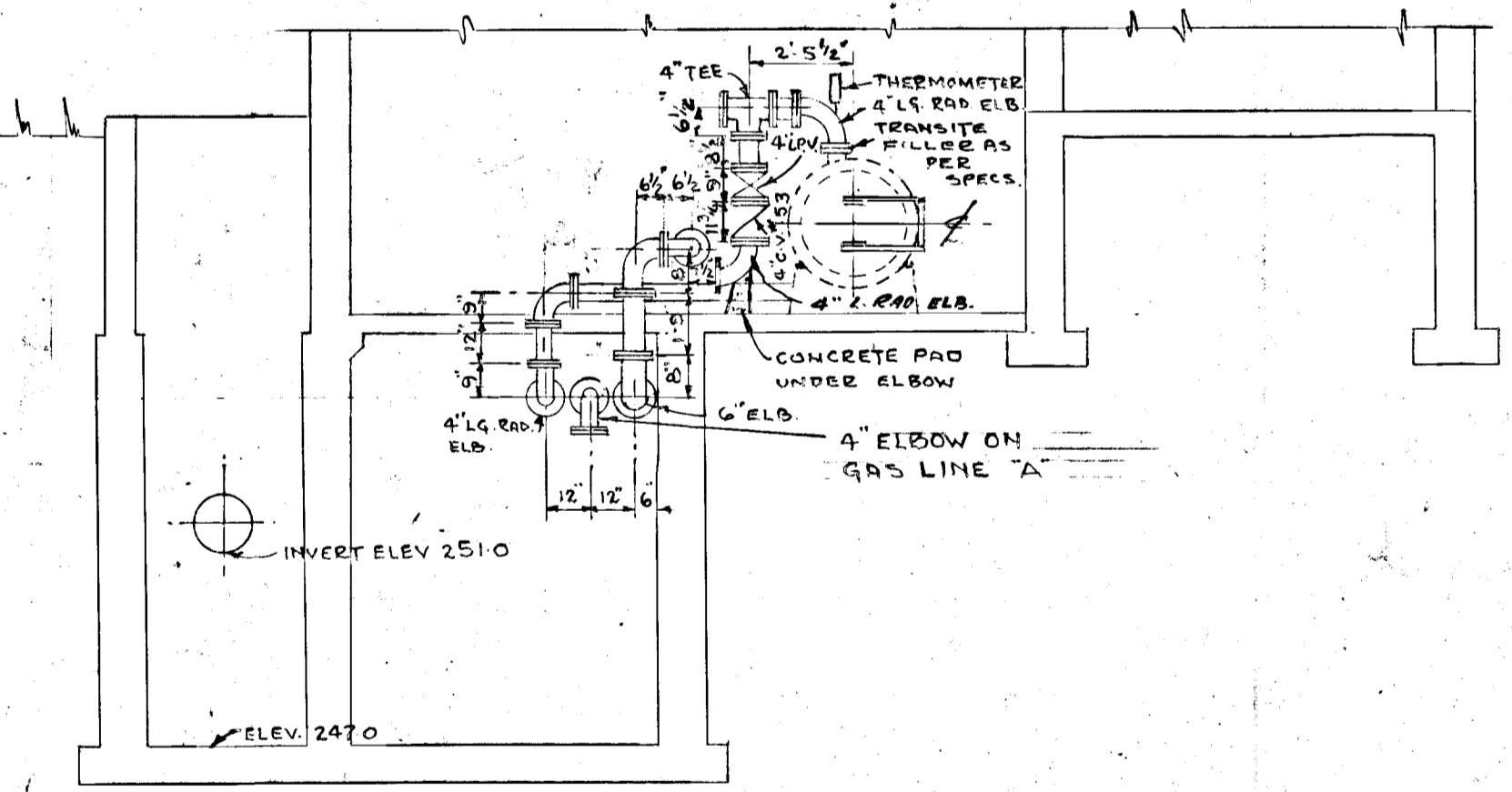
6/11/52



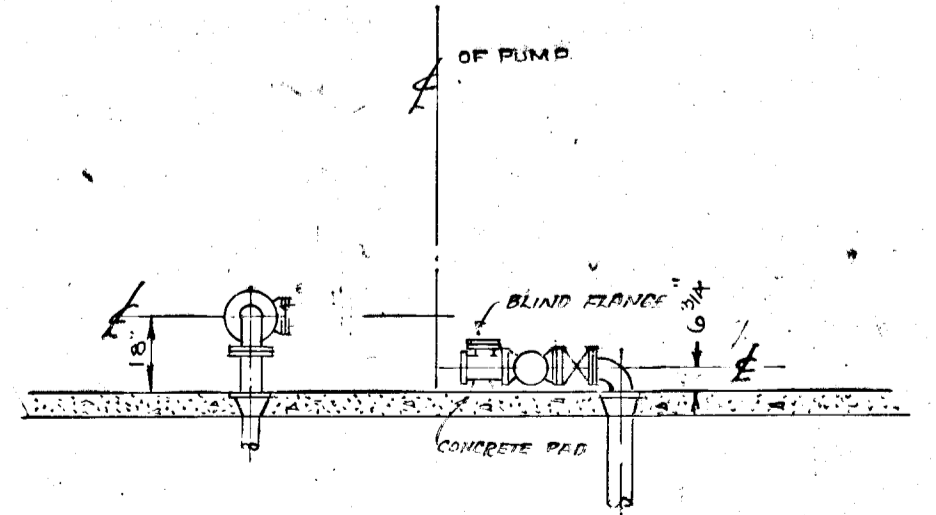
PLAN
SCALE: 1/4" = 1'-0"



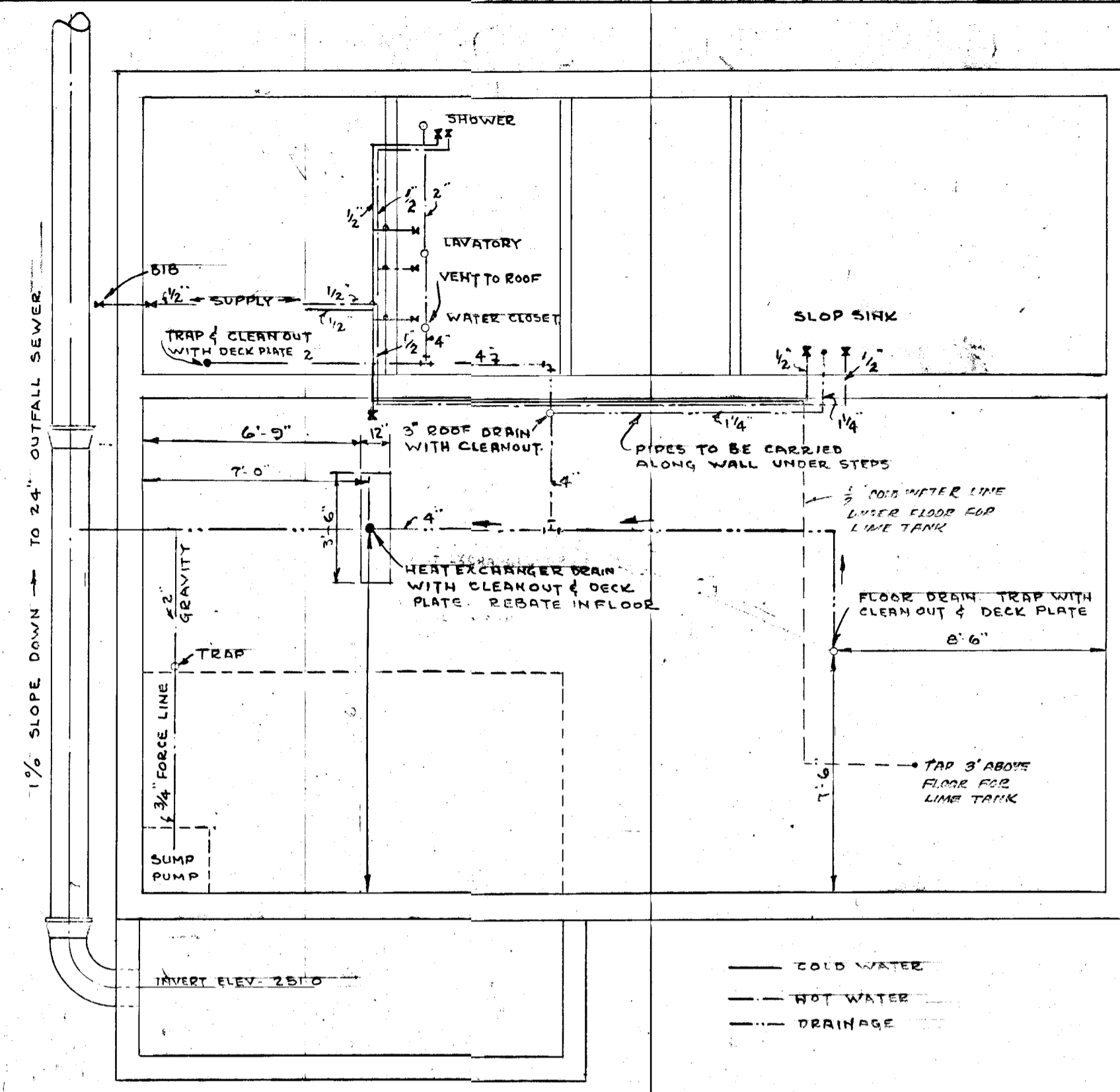
SECTION 1-1
SCALE: 1/4" = 1'-0"



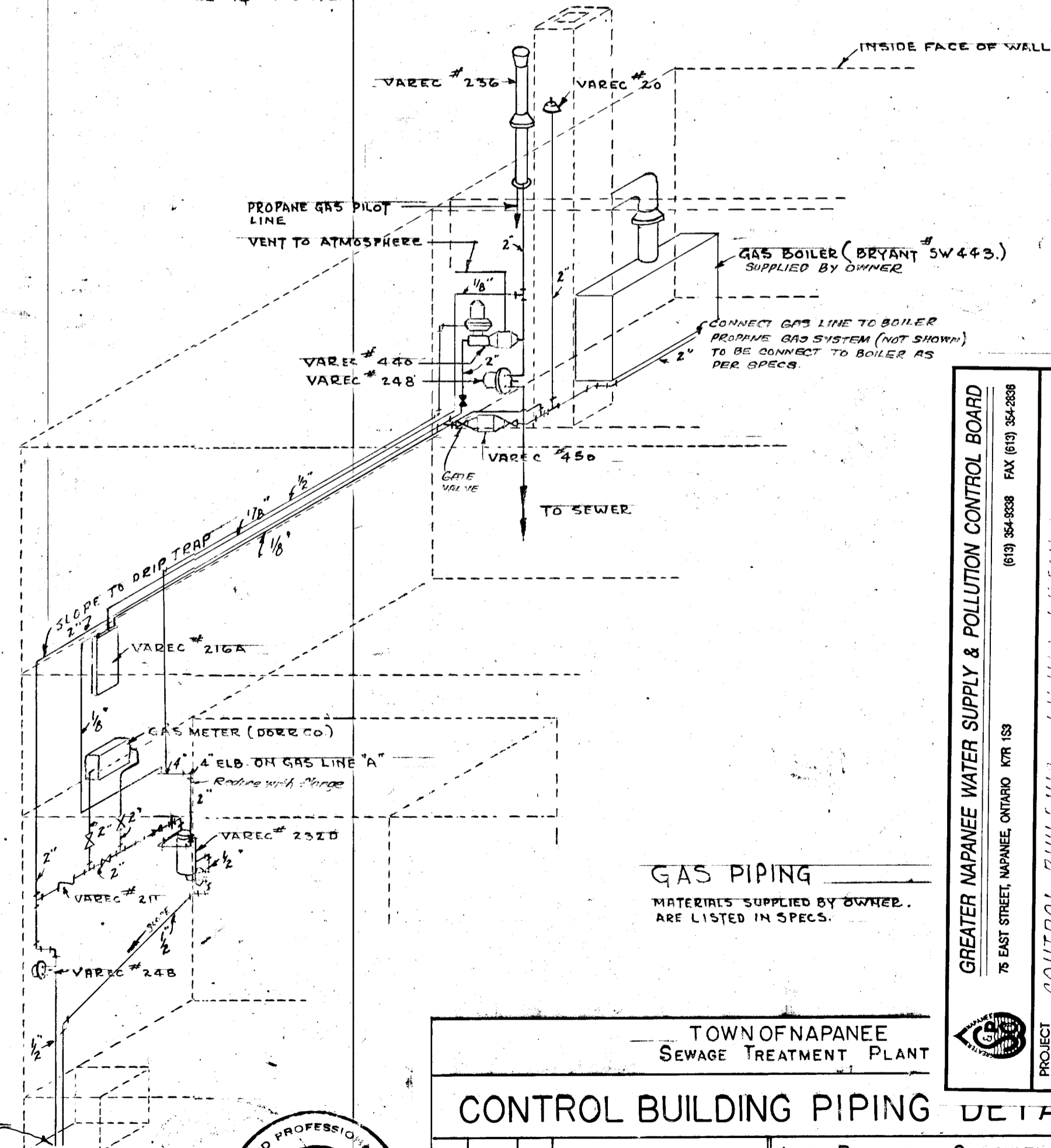
SECTION 2-2
SCALE: 1/4" = 1'-0"



SECTION 3-3
SCALE: 1/4" = 1'-0"
SLUDGE PIPING DETAILS.



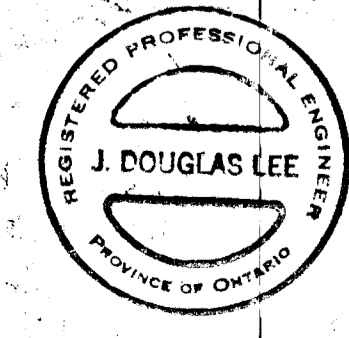
PLUMBING DIAGRAM
SCALE: 1/4" = 1'-0"



GAS PIPING
MATERIALS SUPPLIED BY OWNER.
ARE LISTED IN SPECS.



WPCP
014

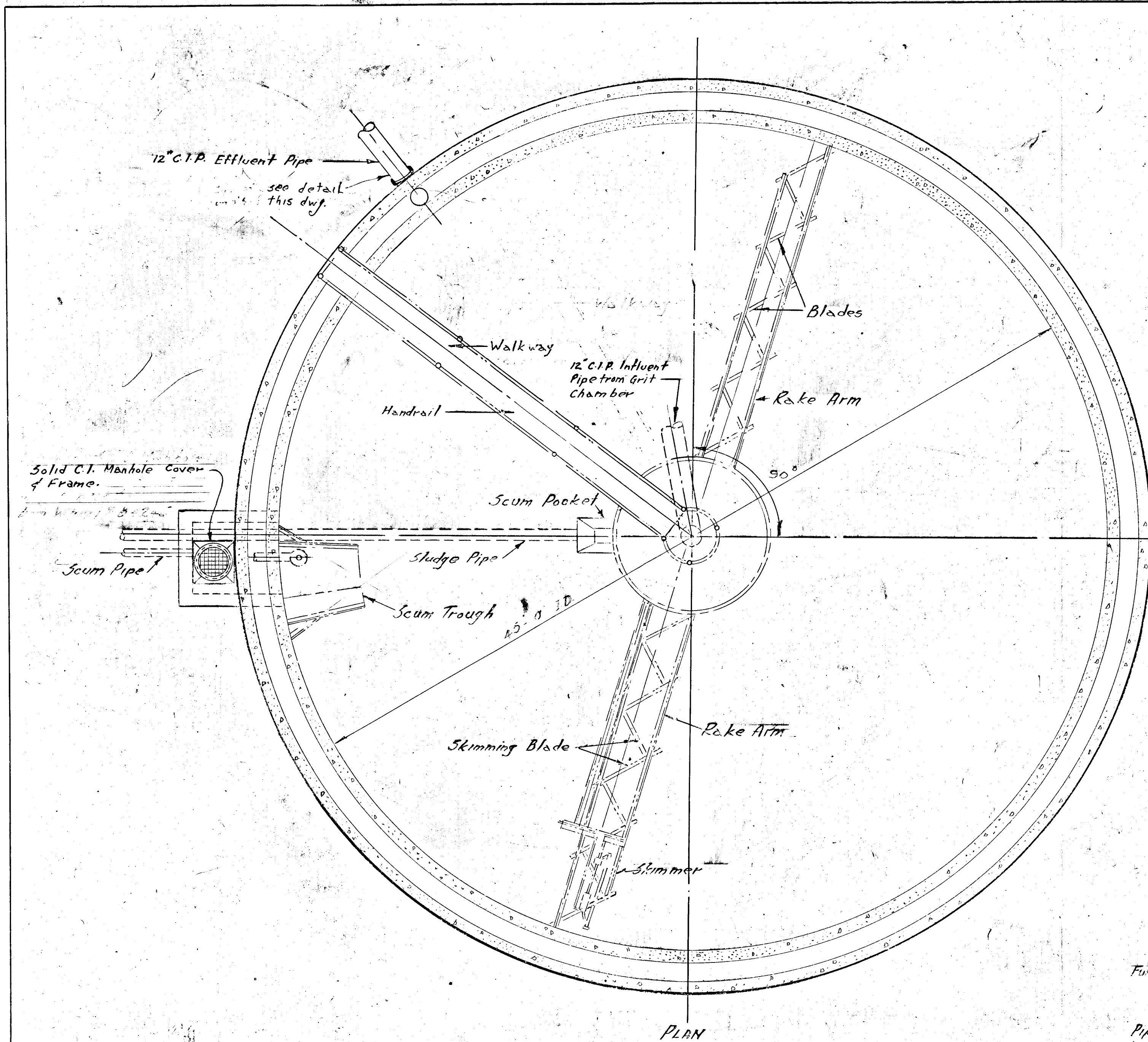


TOWN OF NAPANEE SEWAGE TREATMENT PLANT	
CONTROL BUILDING PIPING DETAILS	
PROJECT	CONTROL BUILDING - PIPING DETAILS
DESIGNED BY	DATE: NOV 1952
DRAWN BY	DWG NO. WPCP-1952-19 - M.F.H. - No. 1/12
APPROVED BY	SCALE: AS SHOWN
NO.	DATE BY DESCRIPTION
1	TRD: GNR
2	CHKD: JLL
3	FILE: 25-3420
4	DRAWING
5	7

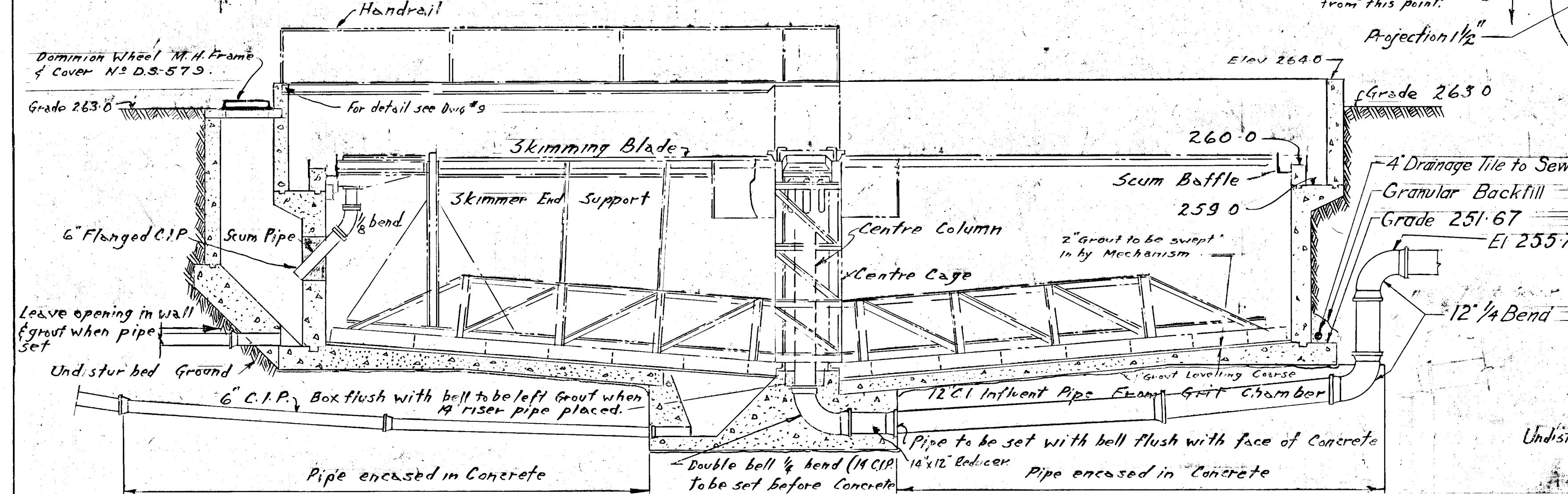
GREATER NAPANEE WATER SUPPLY & POLLUTION CONTROL BOARD
75 EAST STREET, NAPANEE, ONTARIO, N7R 1S8
(813) 384-0338 FAX (813) 384-3838

PROJECT: CONTROL BUILDING - PIPING DETAILS
SPECIFICATIONS: SEWAGE TREATMENT PLANT

DESIGNED BY: DATE: NOV 1952
DRAWN BY: DWG NO. WPCP-1952-19 - M.F.H. - No. 1/12
SCALE: AS SHOWN

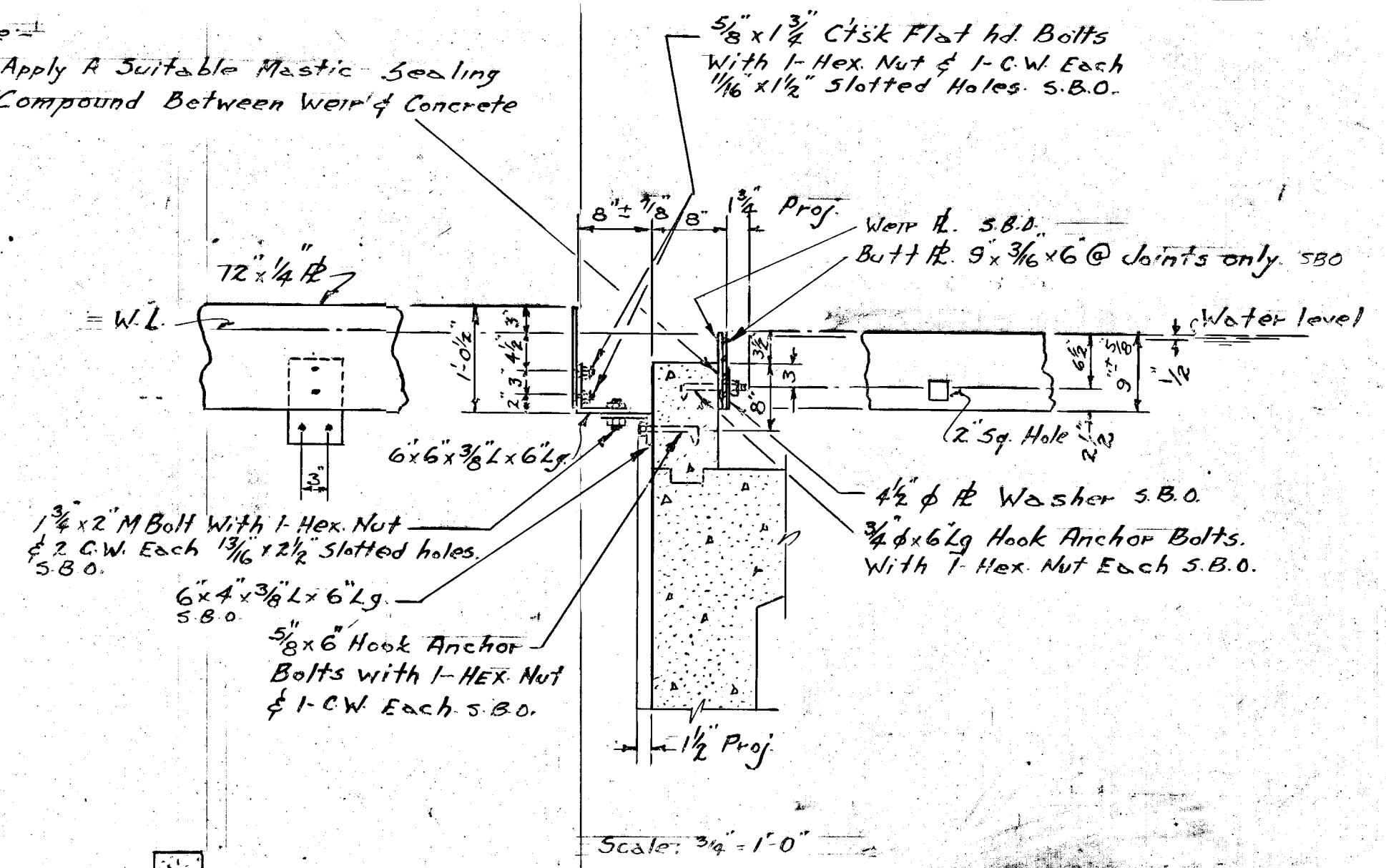


PLAN

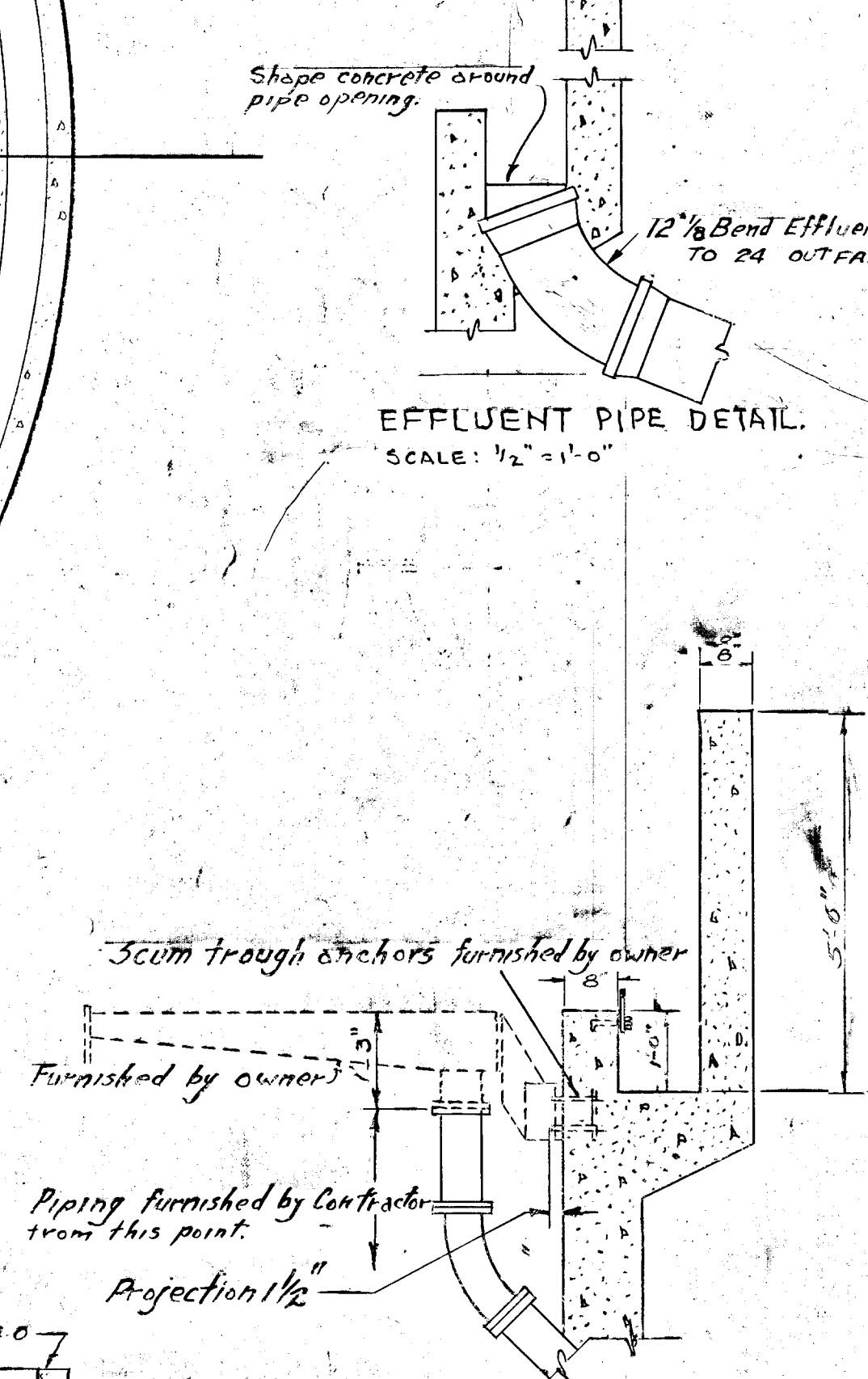


SECTIONAL ELEVATION
Scale: 1/4" = 1'-0"

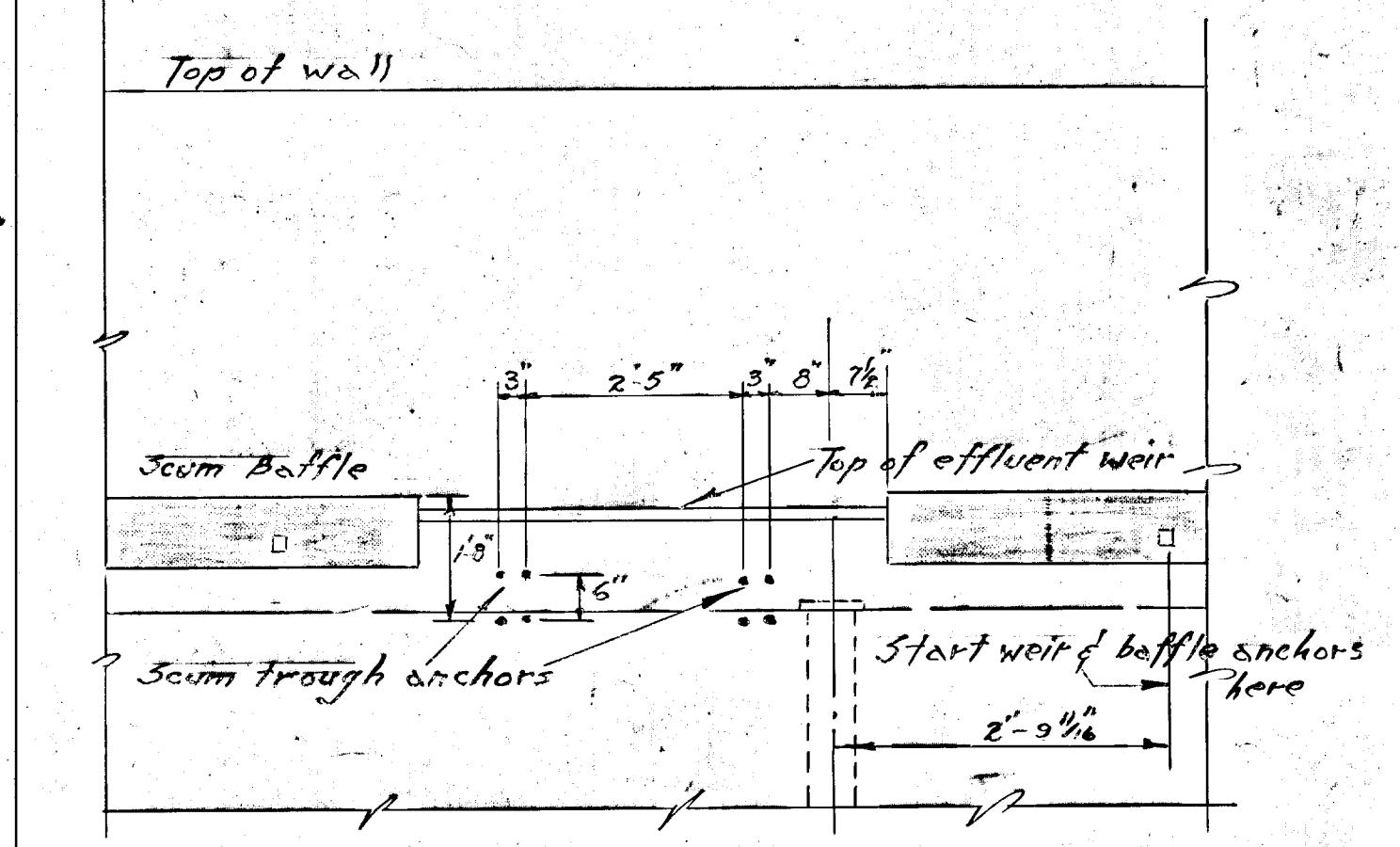
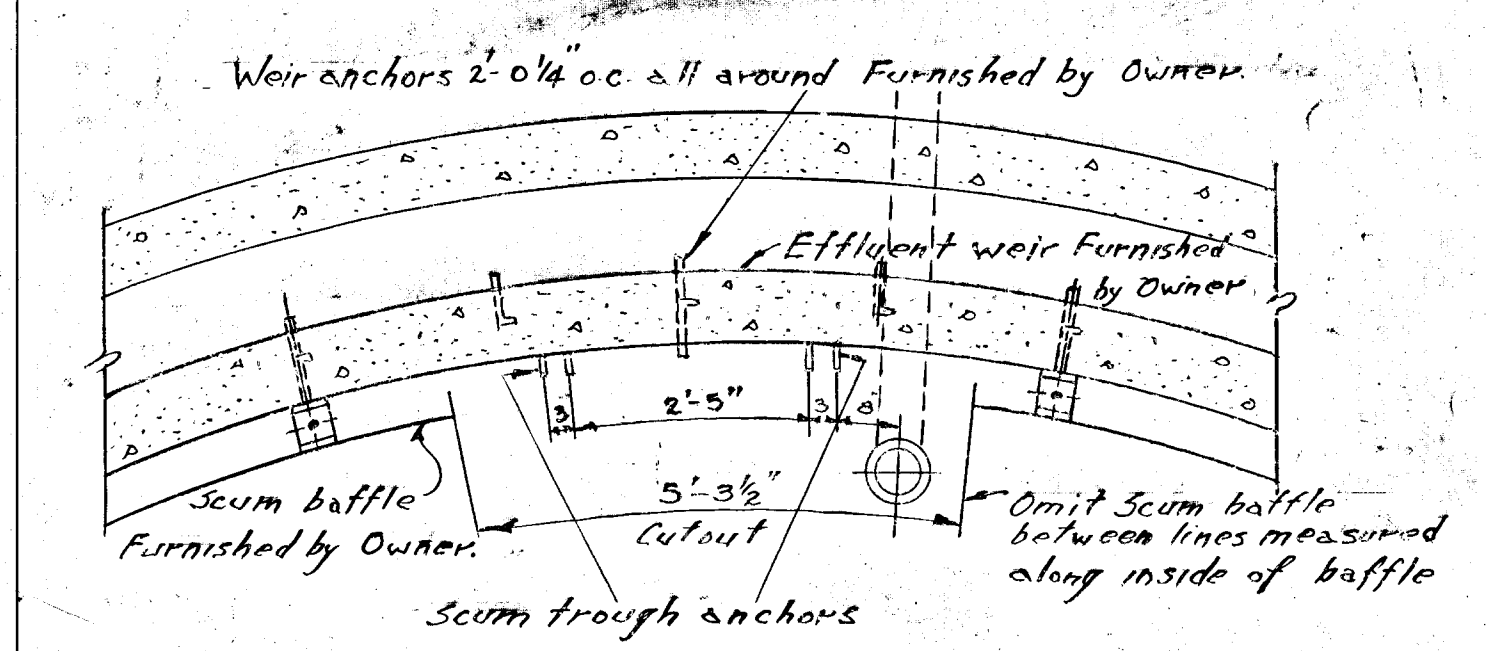
Note: Apply a Suitable Mastic Sealing Compound Between Weir & Concrete



EFFLUENT PIPE DETAIL
SCALE: 1/2" = 1'-0"



SCUM BAFFLE AND EFFLUENT WEIR DETAILS
Scale - 1/2" = 1'-0"



GREATER NAPANEE WATER SUPPLY & POLLUTION CONTROL BOARD
75 EAST STREET, NAPANEE, ONTARIO K7R 1S8
(813) 354-9338 FAX (813) 354-2838

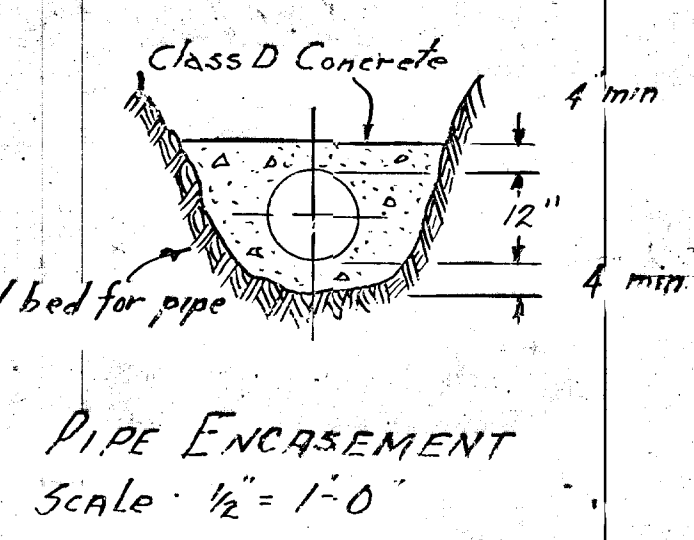
PROJECT: CLARIFIER - GENERAL DETAILS
SEWAGE TREATMENT PLANT

APPROVED BY:	SPECIFICATIONS
DESIGNED BY:	DATE: NOV 1952
DRAWN BY:	DWG NO: WPCP-1952/2-STR-NO 8/12

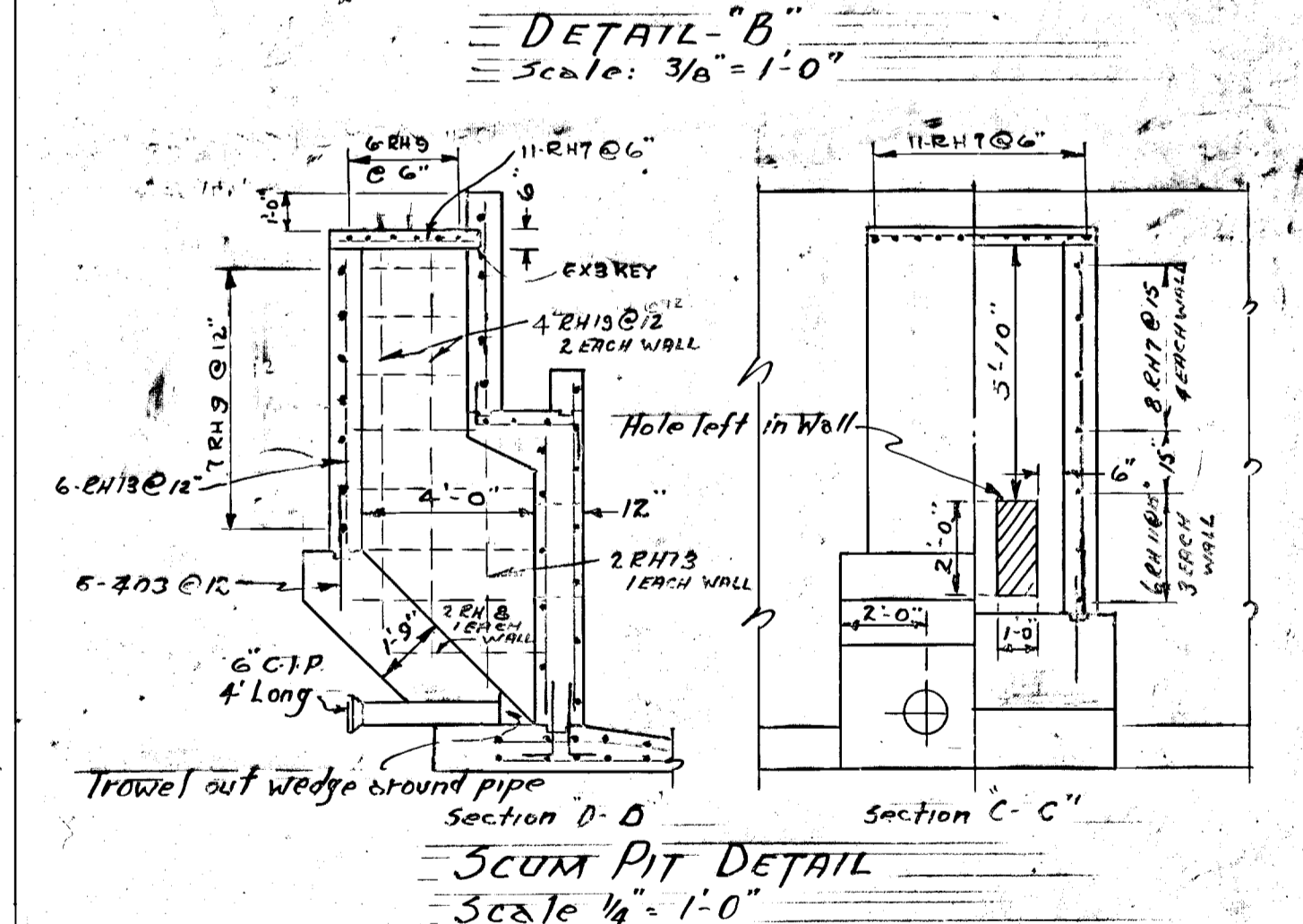
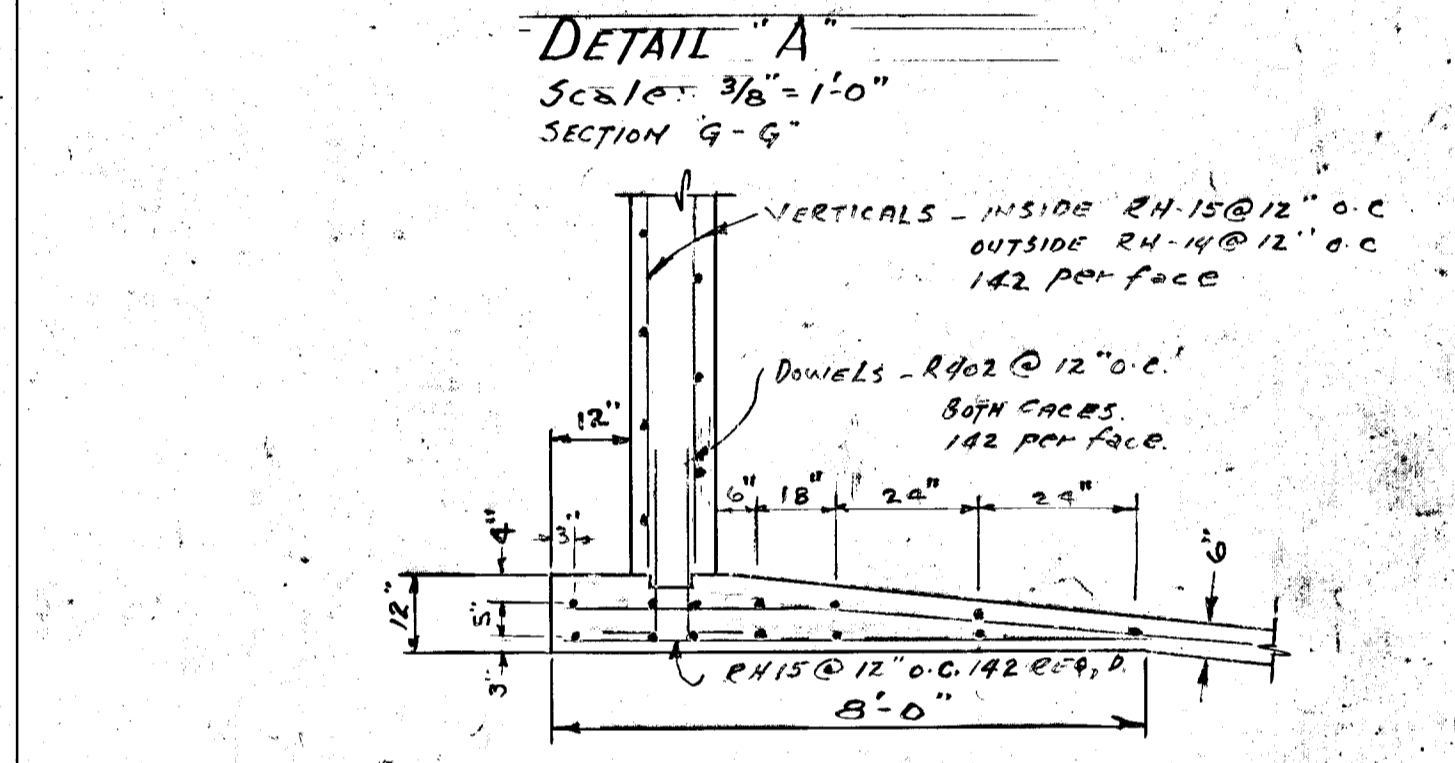
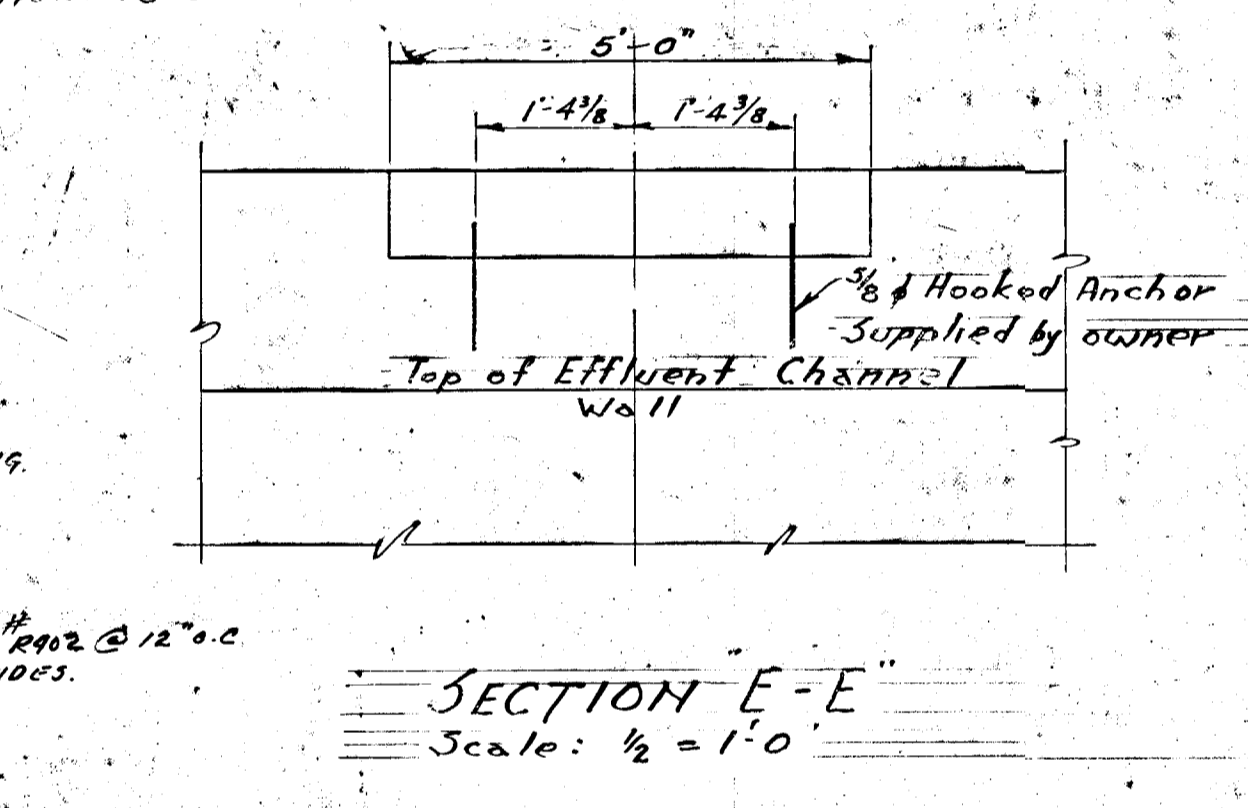
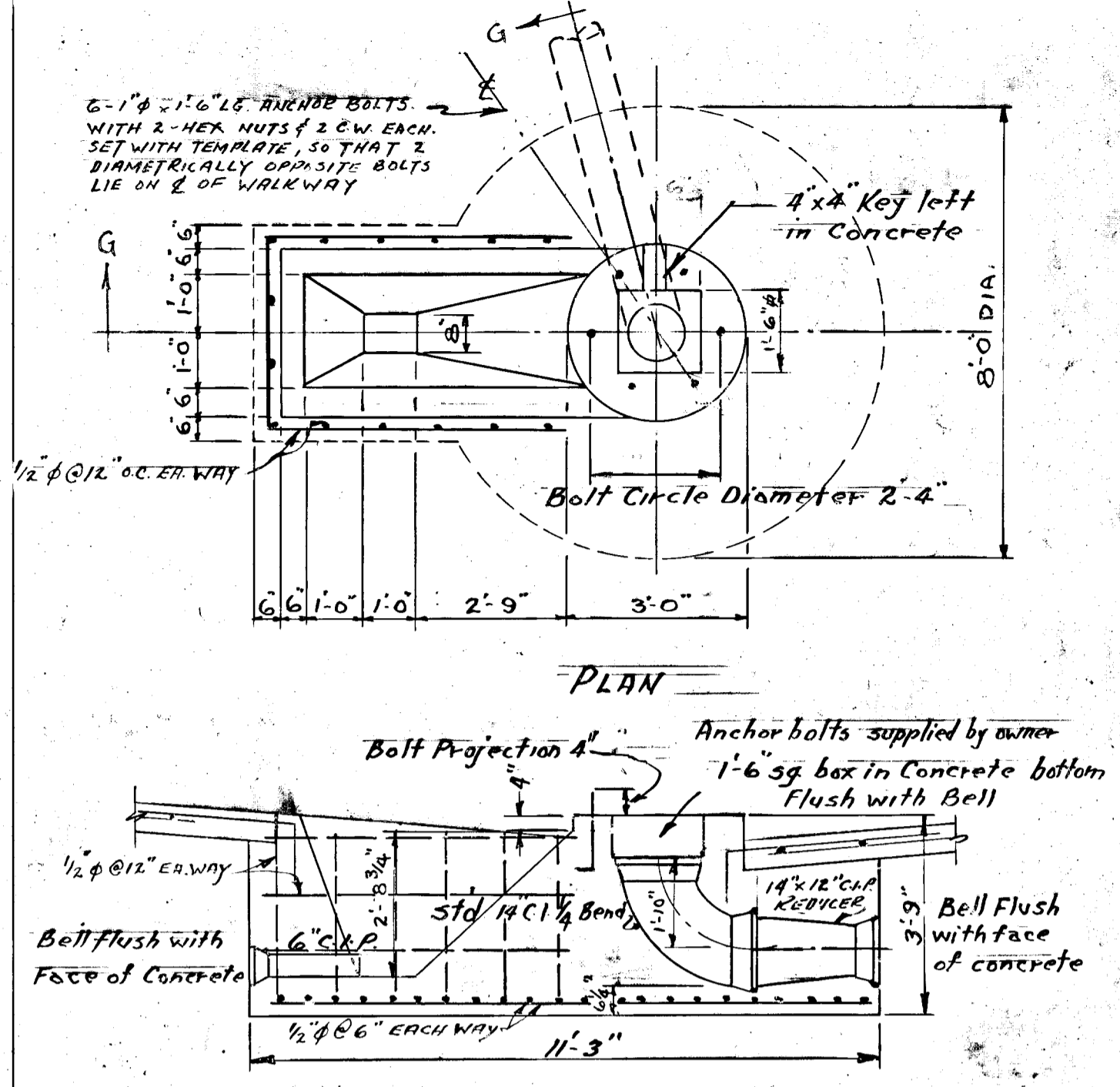
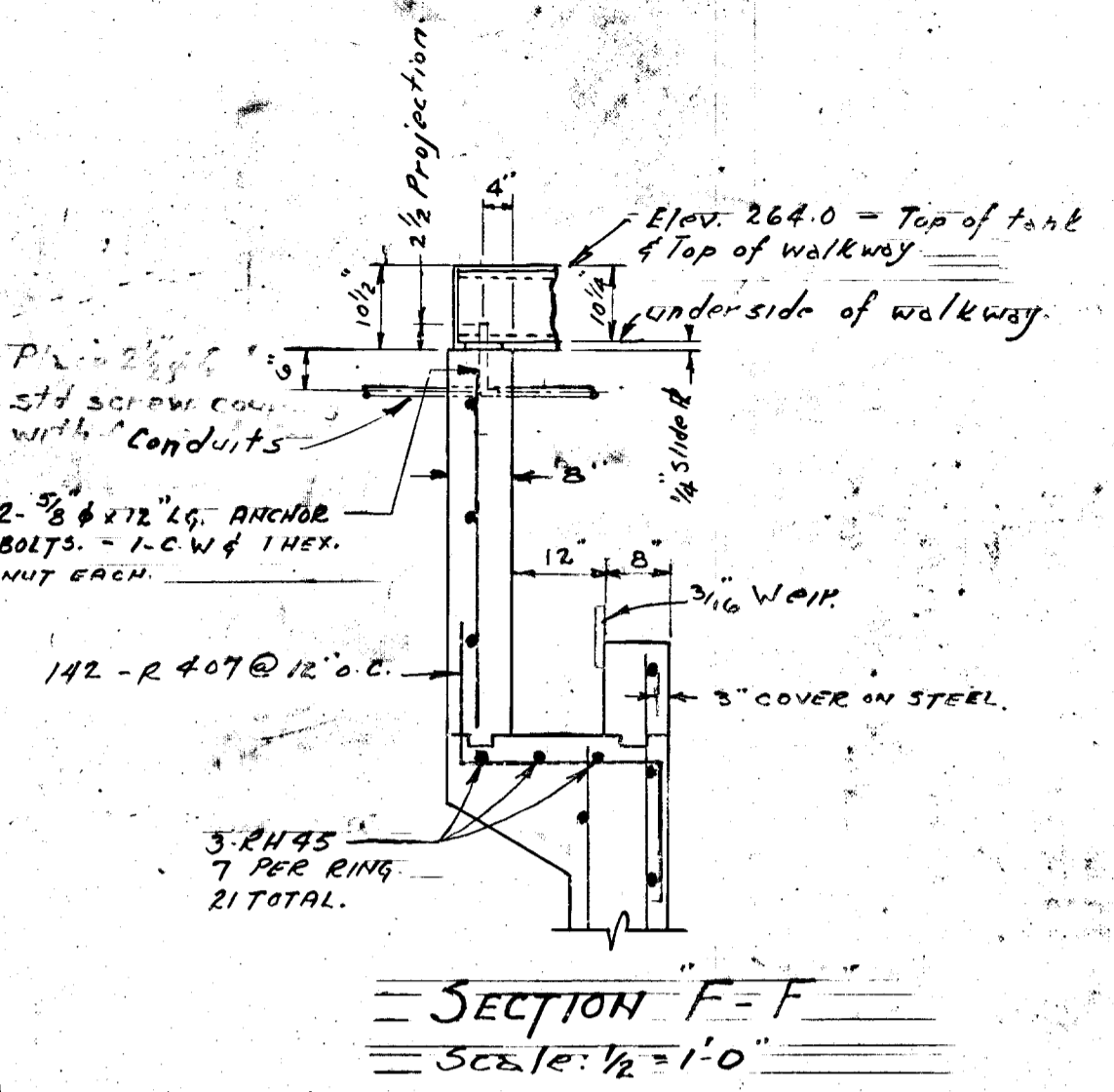
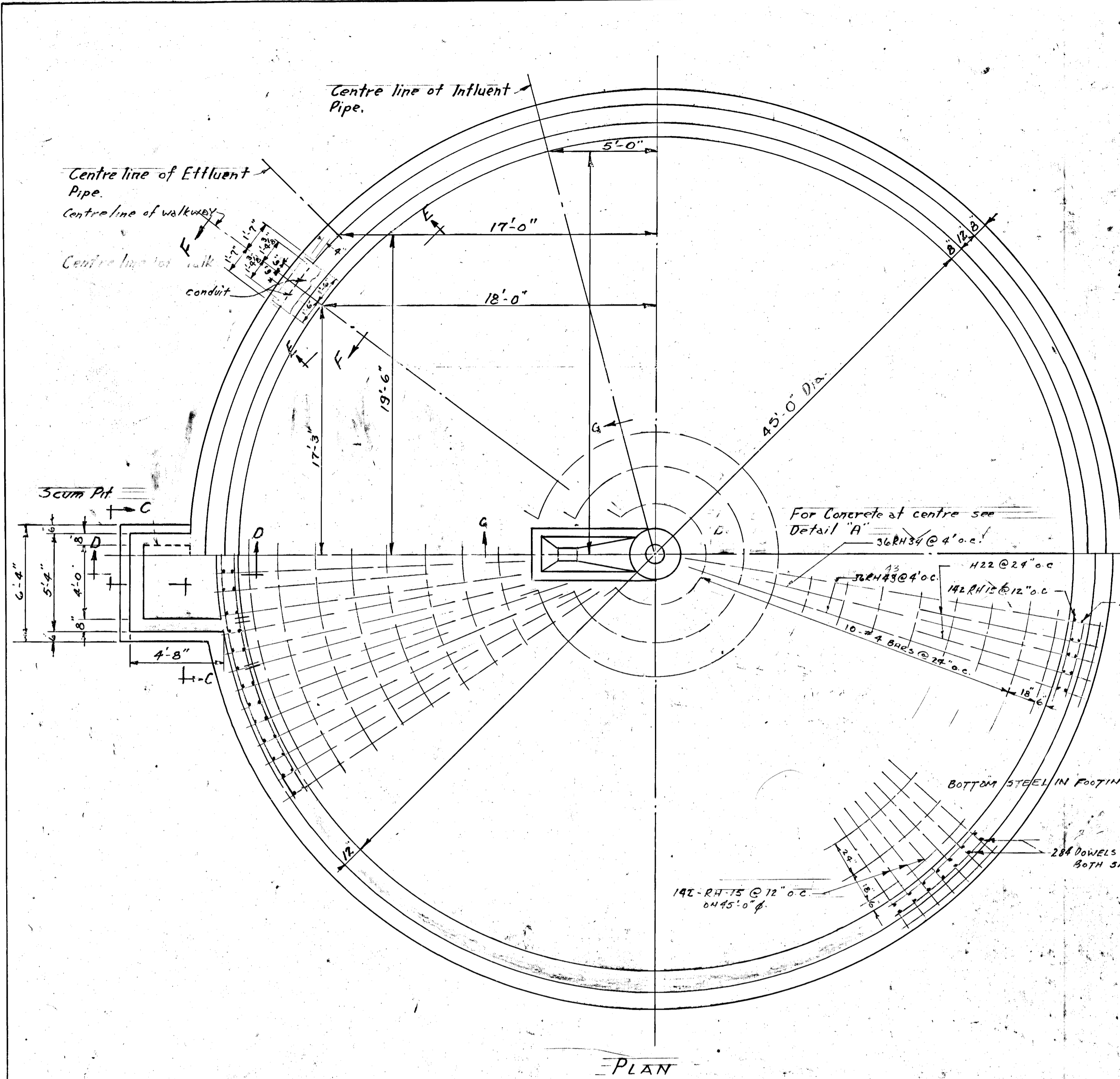
KINGSTON - ONTARIO	
SCALE: AS SHOWN	DATE: 30/11/52
DWN: NDE	APPROVED: [Signature]
TRD: SMR	FILE: 26-343 C
CHRD:	



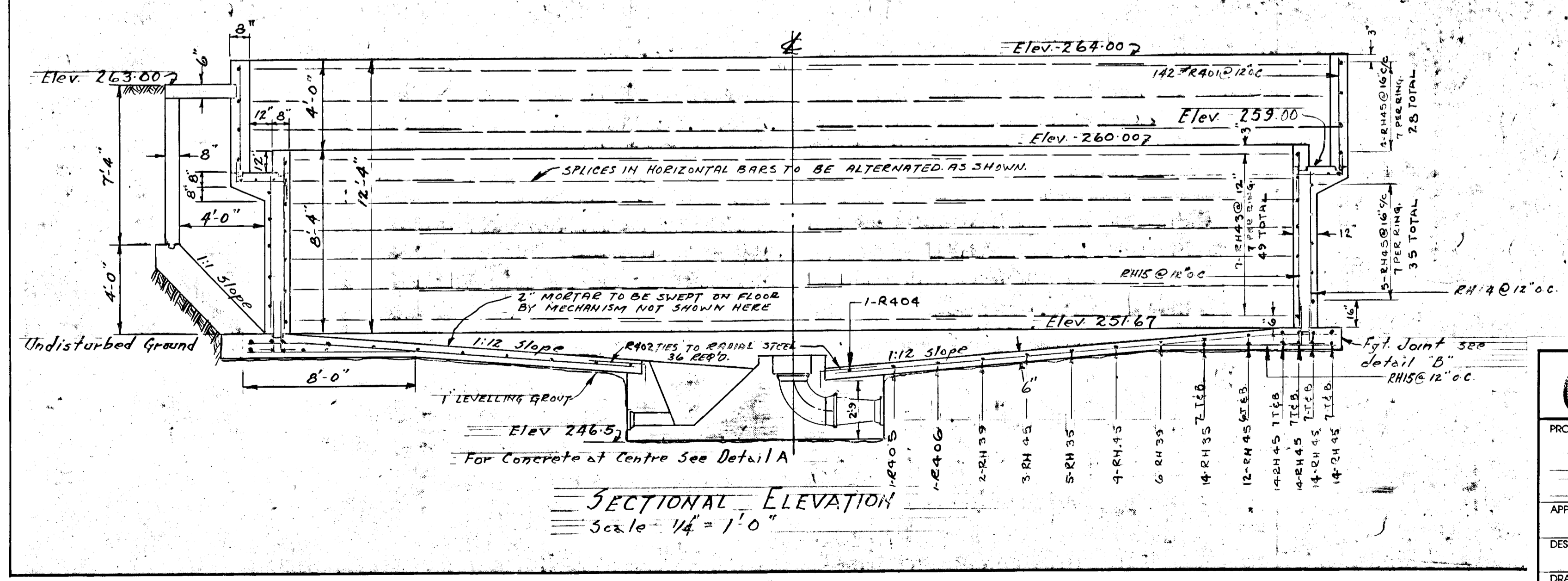
WPCP
015



PIPE ENCASEMENT
Scale: 1/2" = 1'-0"

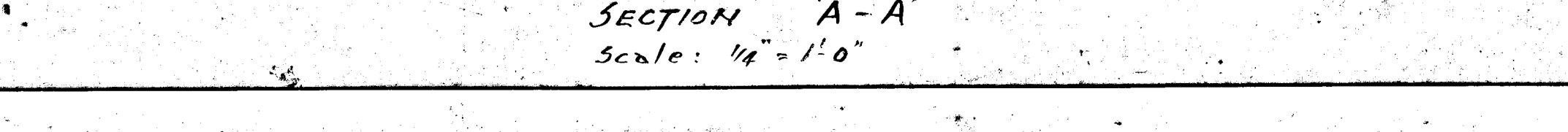
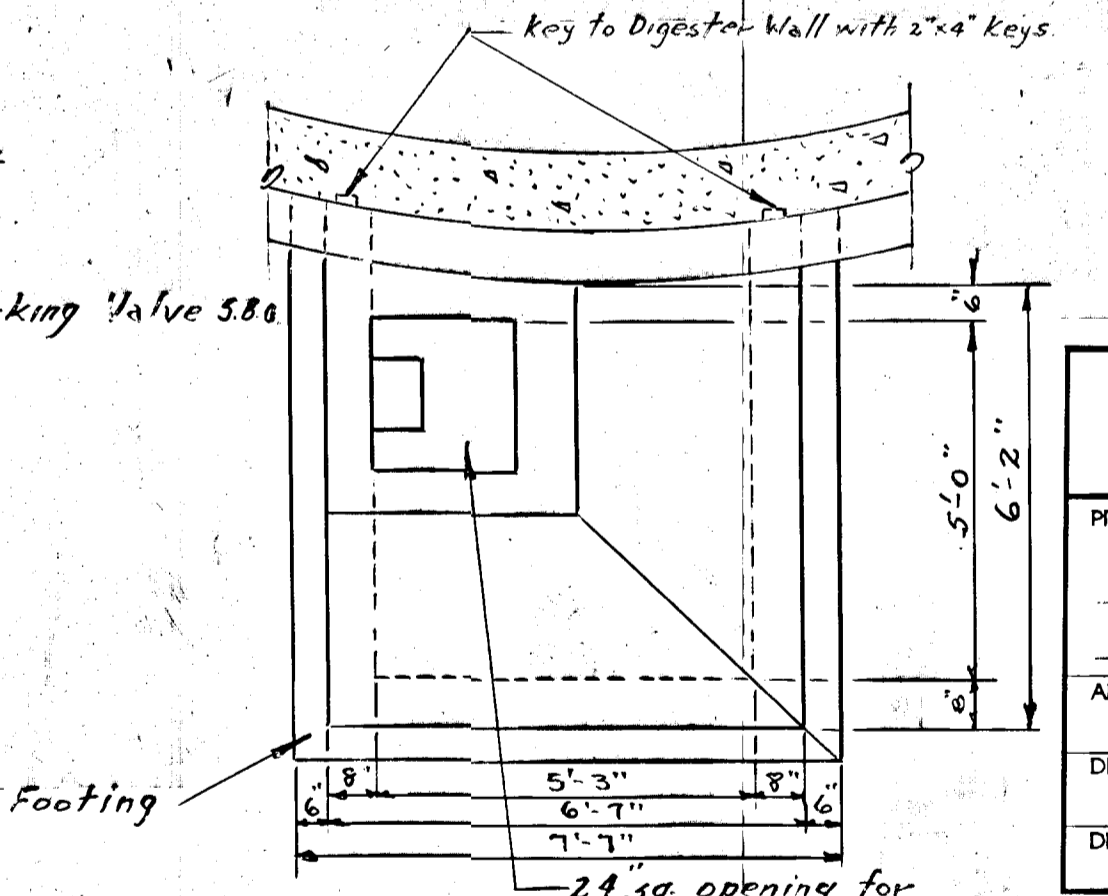
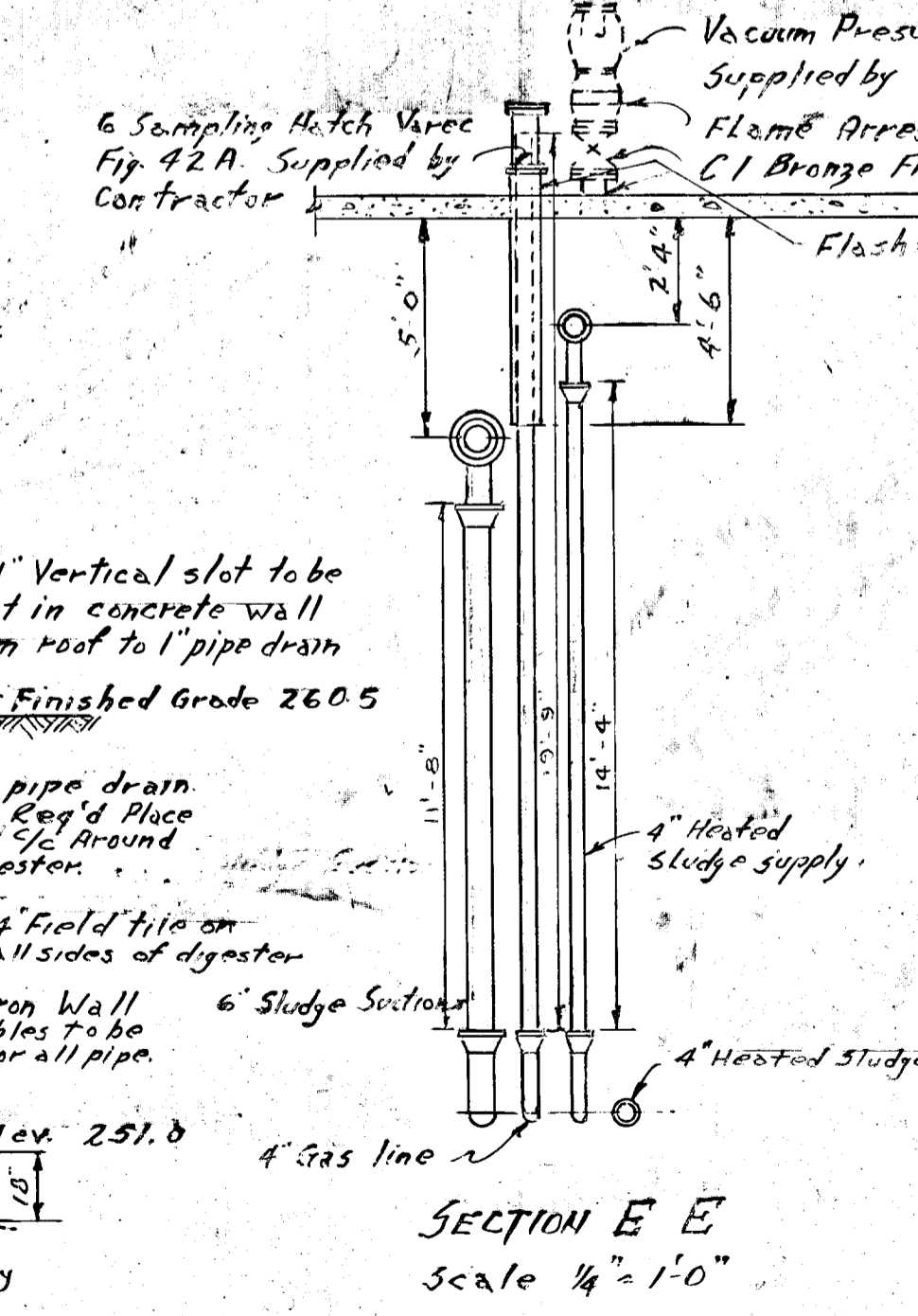
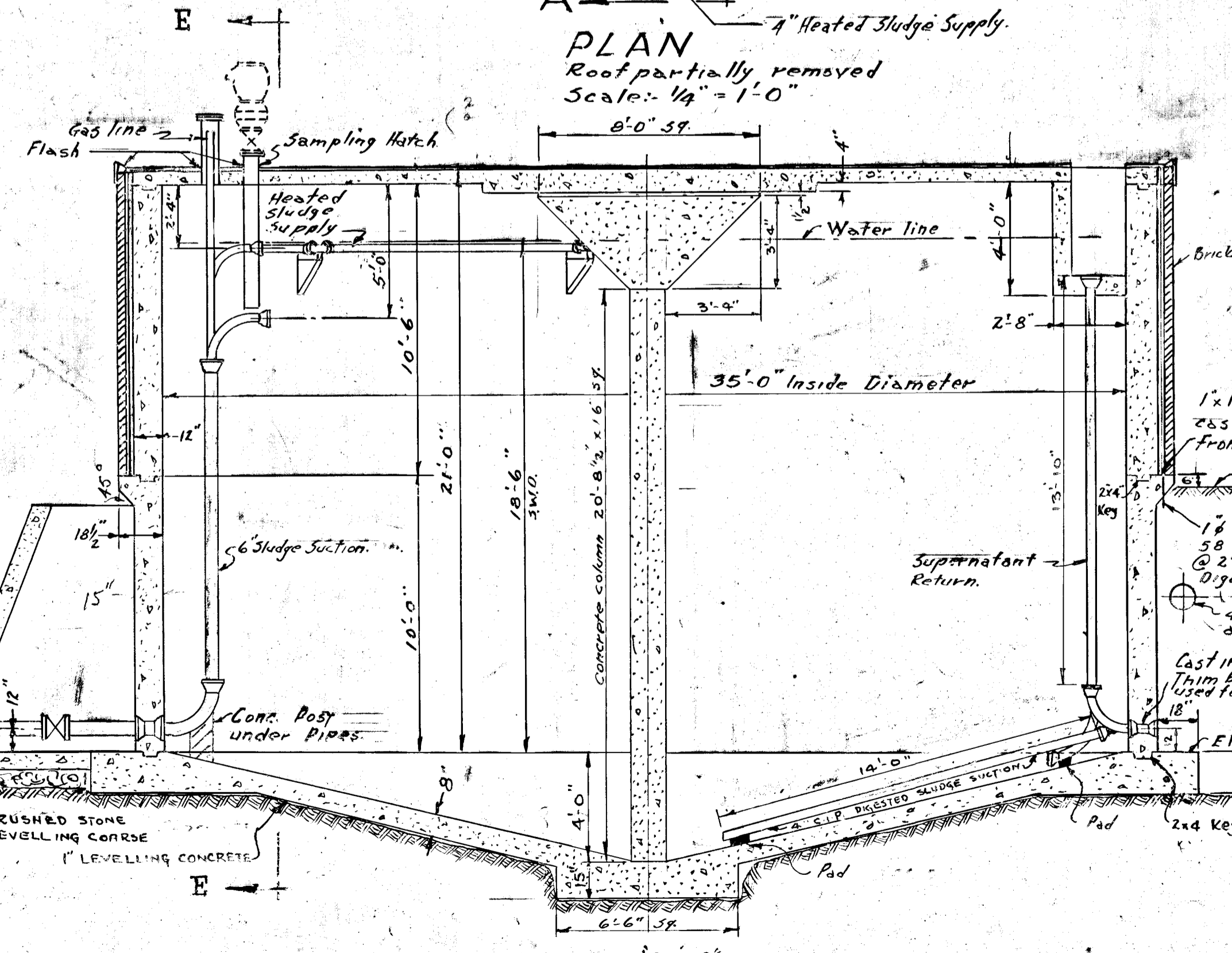
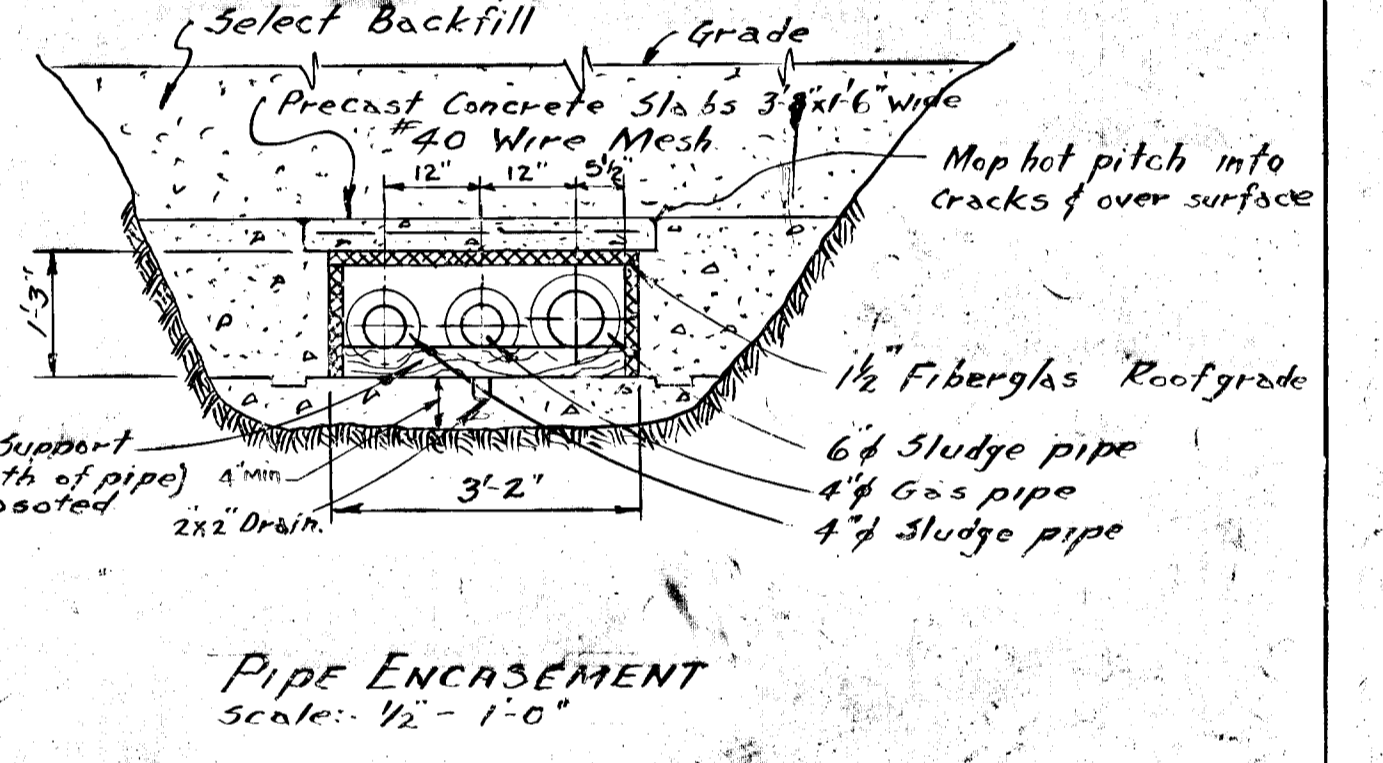
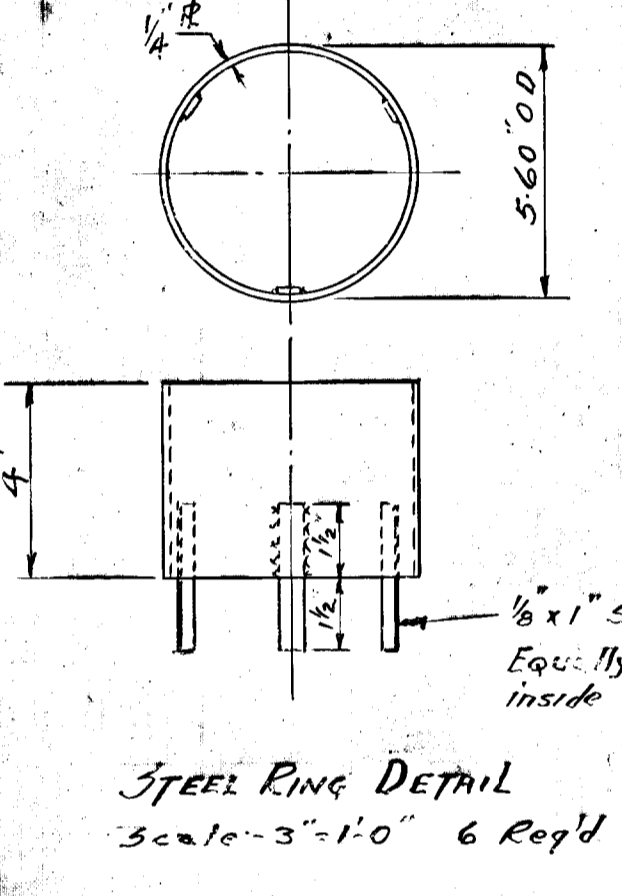
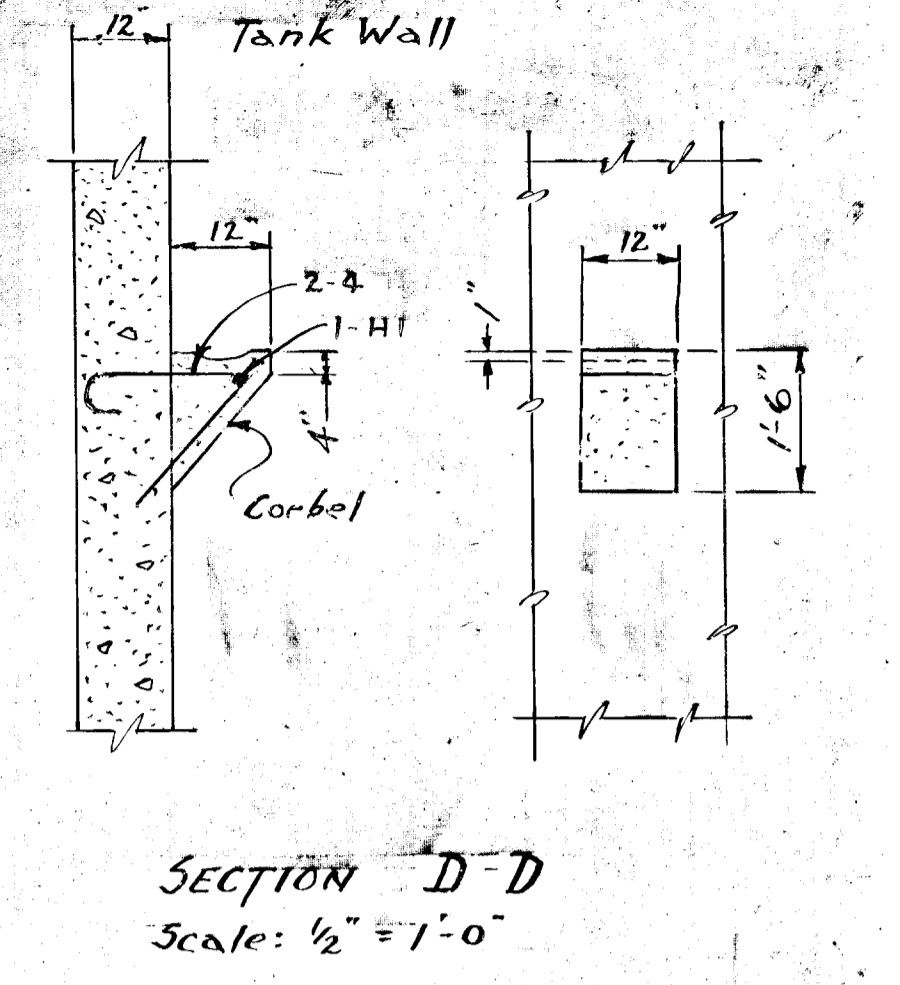
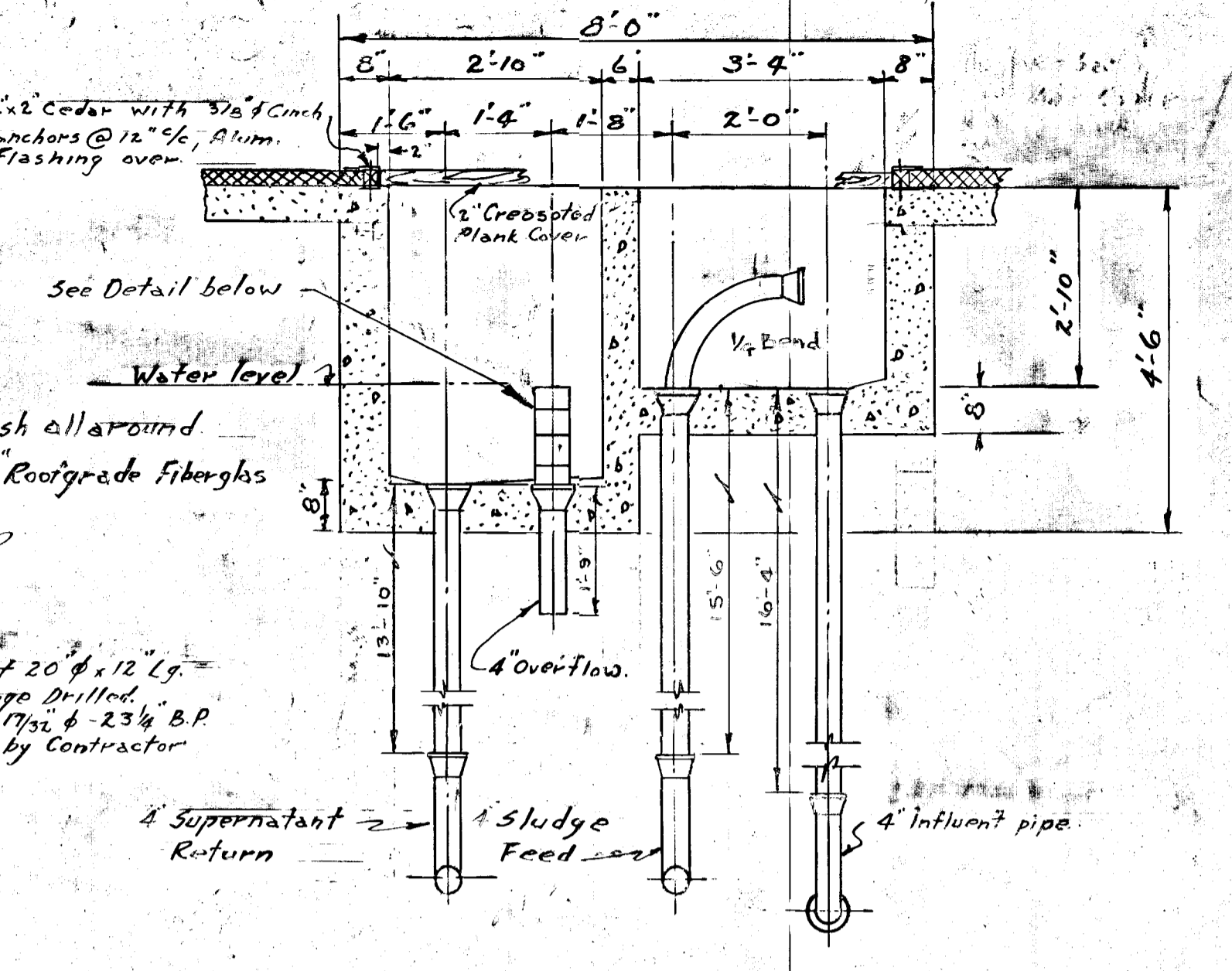
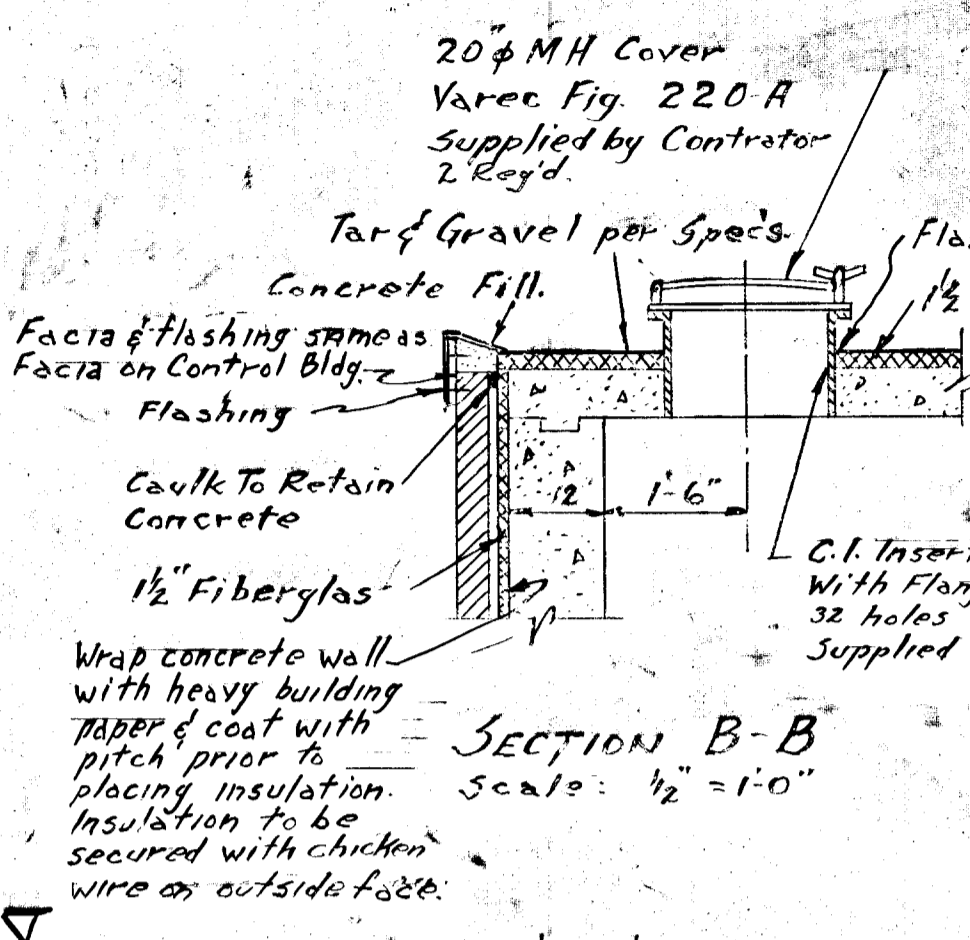
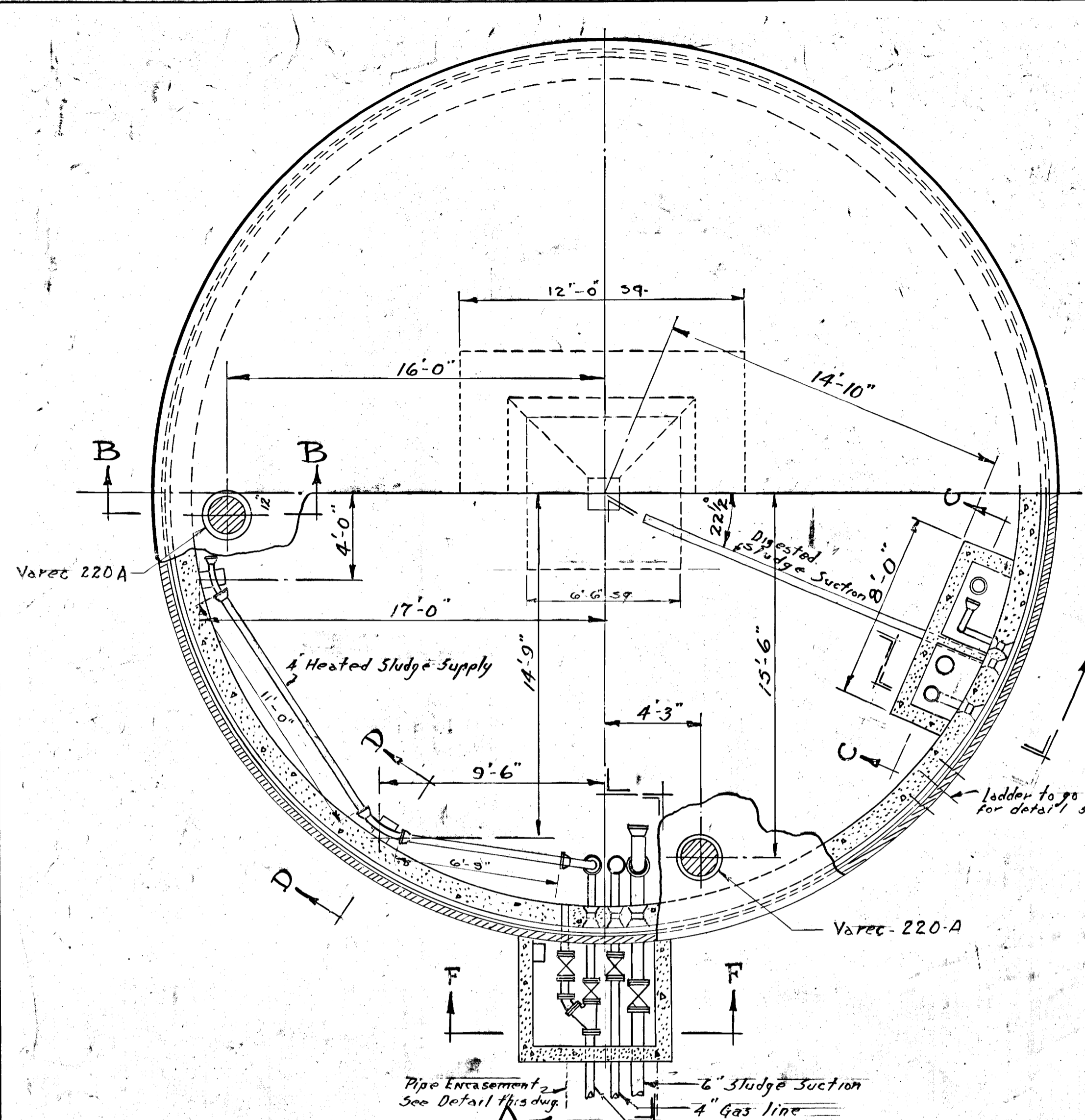


- NOTE
1. FOR DETAILS & MECHANISM SEE DWG. B.
 2. ALL CONCRETE TO BE 3000 @ 28 DAYS.
 3. BAR SPLICES TO BE 24 DIAMETERS MINIMUM.
 4. ALL REINFORCING STEEL DENOTED BY LETTER "R" PRECEDING BAR NUMBER.
 5. ALL KEYS TO BE 2"x2" UNLESS OTHERWISE STATED.
 6. THIS CONTRACTOR TO CHECK POSITION OF ANCHOR BOLTS WITH DIRECTION BARS.



GREATER NAPANEE WATER SUPPLY & POLLUTION CONTROL BOARD 75 EAST STREET, NAPANEE, ONTARIO K7R 1S3 (519) 354-9338 FAX (519) 354-2838		
PROJECT CLARIFIER STRUCTURAL SEWAGE TREATMENT PLANT		
APPROVED BY SPECIFICATIONS	DESIGNED BY DATE NOV. 1952 DWG. NO. WPCP-1952/2-STR-NO 9/12	
SCALE AS SHOWN	CHECKED BY FILE 26-344 C	

TOWN OF NAPANEE SEWAGE TREATMENT PLANT		
CLARIFIER STRUCTURAL		
LEE & BROOKS - CONSULTING ENGINEERS KINGSTON - ONTARIO		
SCALE: AS SHOWN DATE: 30/11/52	DRAWING 9	
DWN: N.D.G. TRD: [Signature] CHKD: [Signature]	APPROVED: [Signature]	

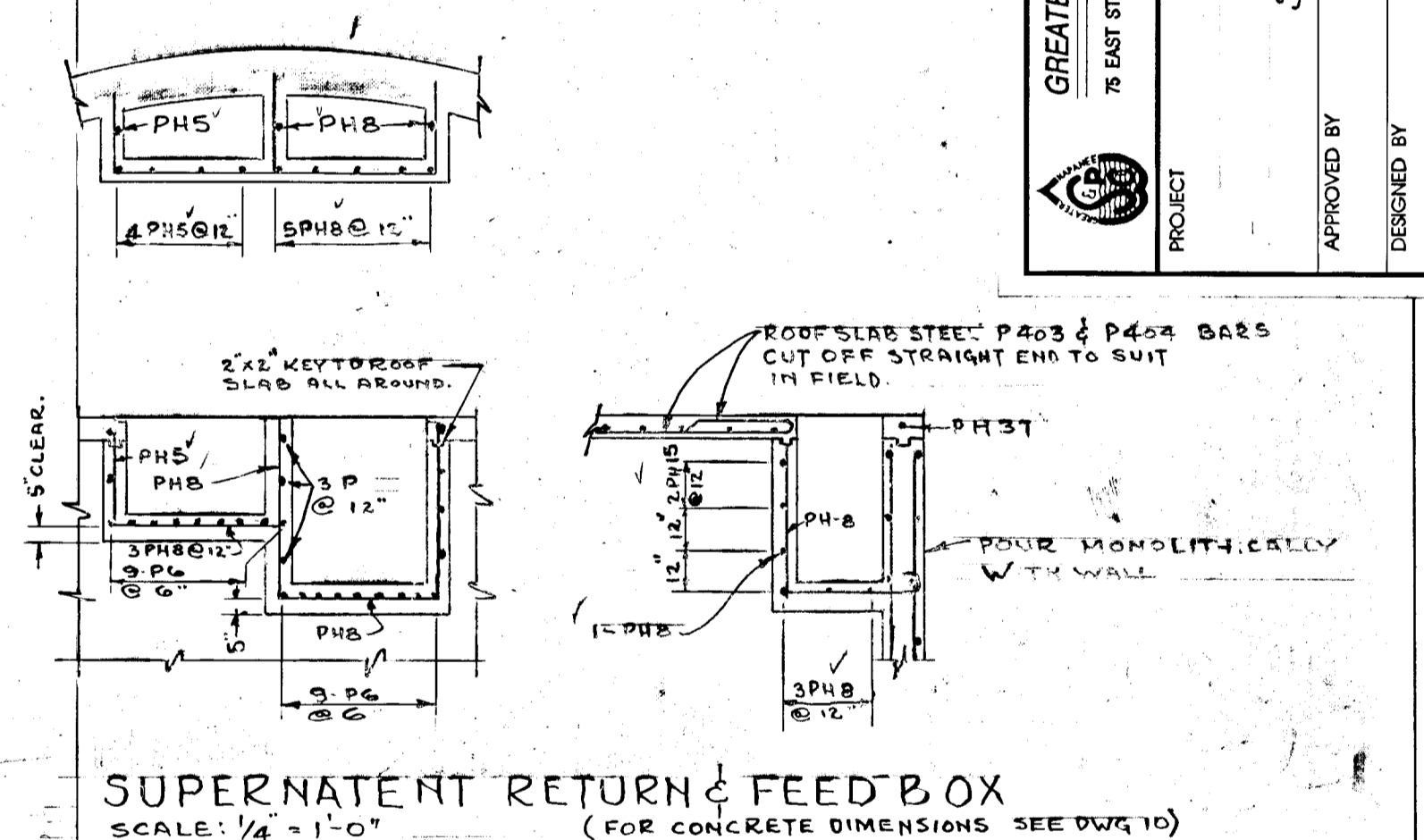
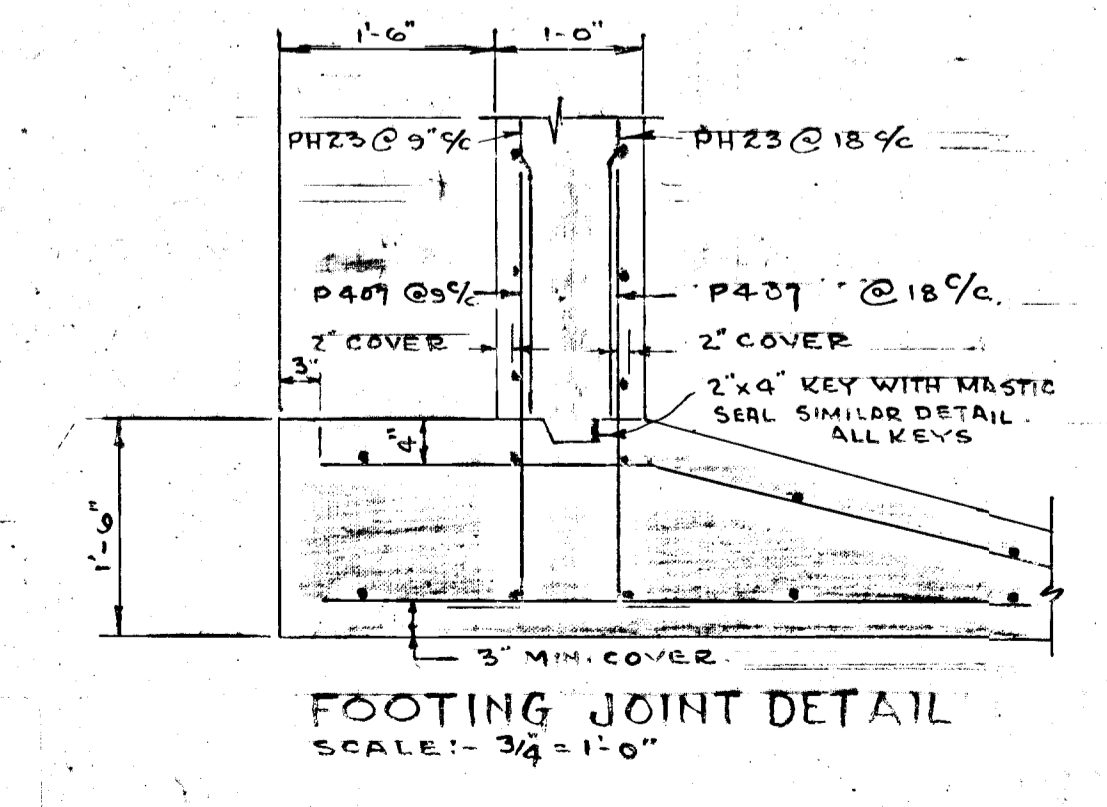
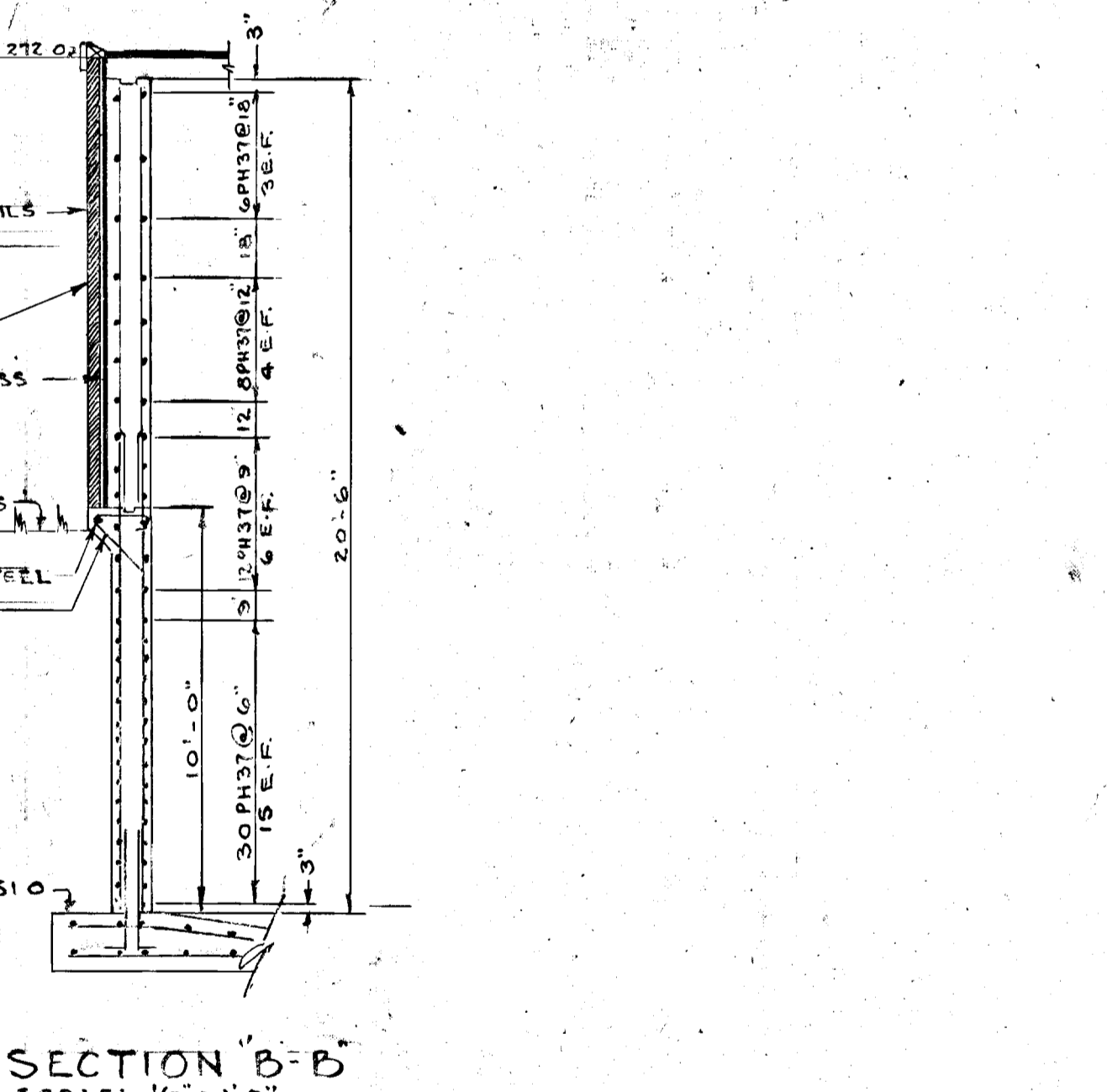
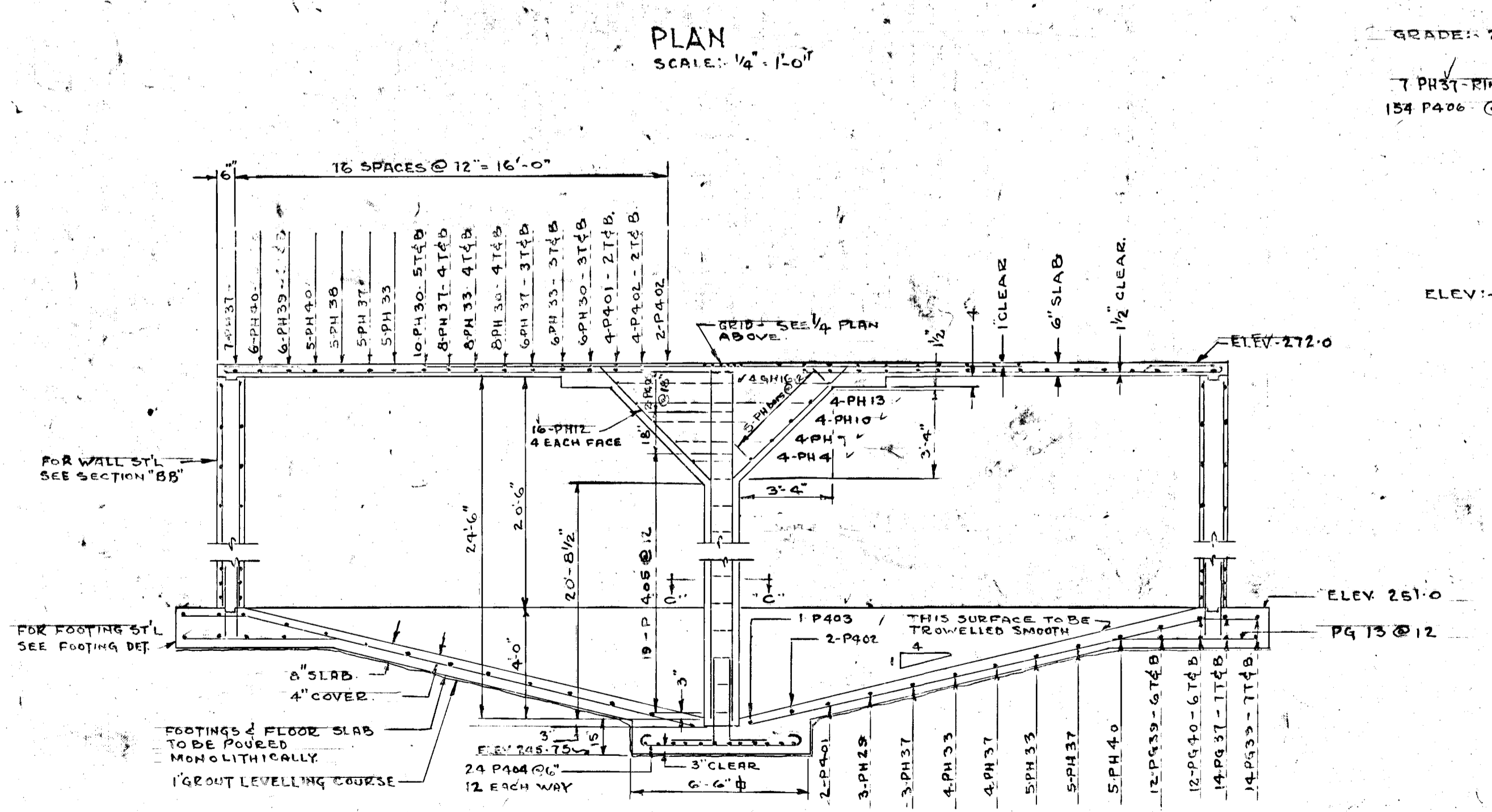
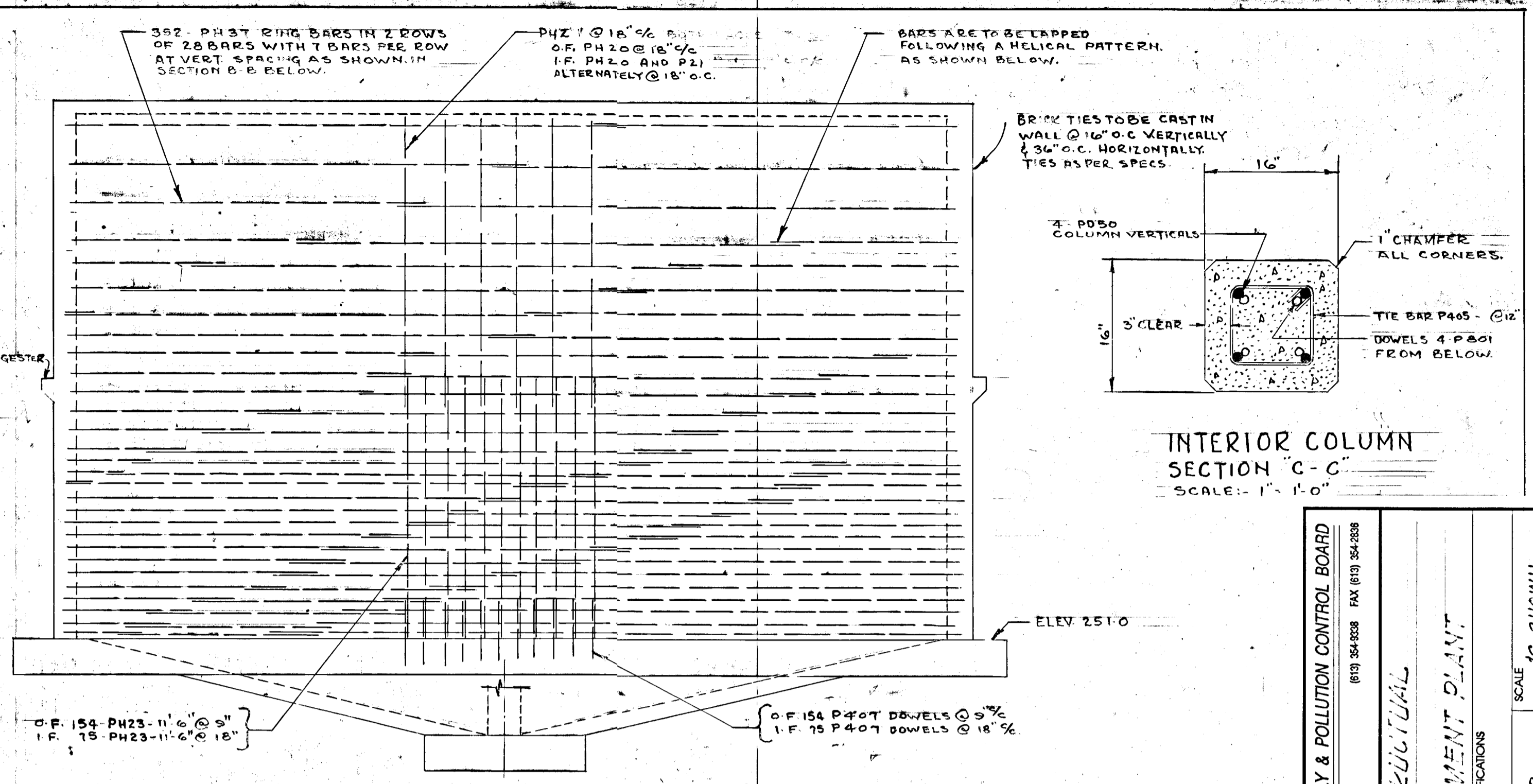
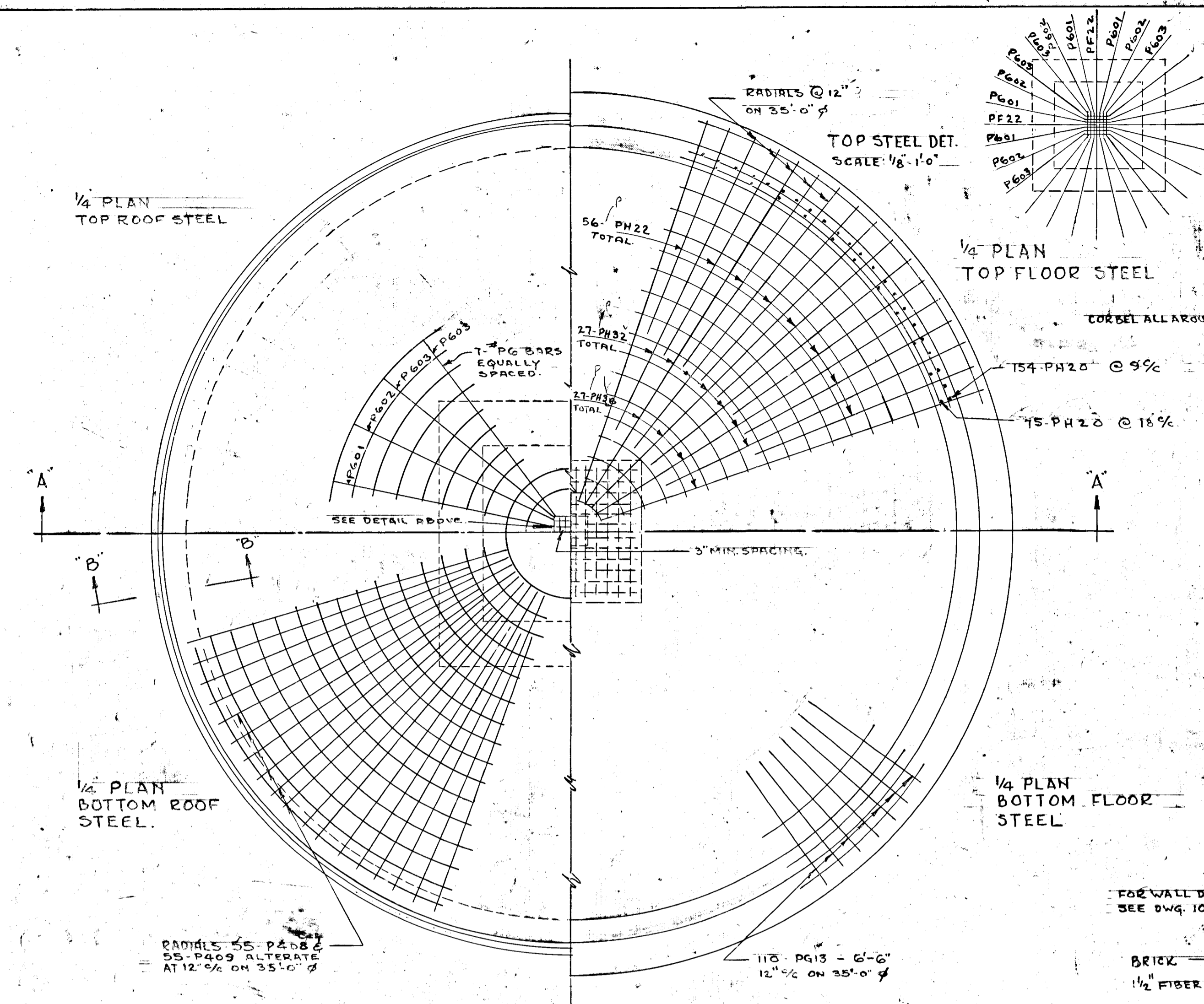


GREATER NAPANEE WATER SUPPLY & POLLUTION CONTROL BOARD 75 EAST STREET, NAPANEE, ONTARIO K7R 1S8 (819) 354-9338 FAX (819) 354-2836			
PROJECT DIGESTER - GENERAL			
SEWAGE TREATMENT PLANT			
APPROVED BY _____		SPECIFICATIONS	
DESIGNED BY _____	DATE NOV 1952	SCALE AS SHOWN	
DRAWN BY _____	DWG NO. WPCP-1952/2-STR-NE 10/12		

NOTE:
 ALL KEYS TO BE 2" x 4" FOR
 TYPICAL DETAIL SEE DWG 11.

TOWN OF NAPANEE SEWAGE TREATMENT PLANT			
DIGESTER		GENERAL	
REVISIONS NO. DATE BY DESCRIPTION			
SCALE: AS SHOWN DWN: TRG CHKD:		DATE: 30/11/52 DRAWING: 10 FILE: 26-345 C	





- NOTES:**
- ALL BARS TO BE LAPPED 24 DIAMETERS MINIMUM.
 - ALL DIGESTER STEEL DENOTED BY LETTER "P" PRECEDING BAR MARK.
 - ALL CONCRETE TO BE 3000# AT 28 DAYS.
 - FOR PIPE CORBELS, VALVE CHAMBER ETC. SEE DWG. 10.
 - FOR STAIRANCHOR BOLT DETAIL SEE DWG. 12.
 - DRAINAGE TILE TO GO ALL AROUND DIGESTER AS SHOWN & TO DRAIN TO 24" OUTFALL SEWER.

TOWN OF NAPANEE SEWAGE TREATMENT PLANT	
DIGESTER STRUCTURAL	
LEE & BROOKS - CONSULTING ENGINEERS KINGSTON - ONTARIO	SCALE: AS SHOWN DATE: 30/11/52
DWN: JSP	APPROVED: M. Lee
TRD: JSP	FILE: 26-346C
NO. DATE BY DESCRIPTION	DRAWING
REVISIONS	11

UNIVERSITY-STRICTURAL

SEWAGE TREATMENT PLANT

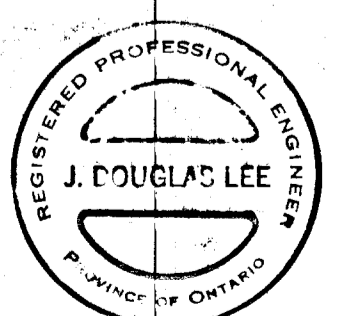
APPROVED BY: _____ DATE: NOV 1952 SCALE: AS SHOWN

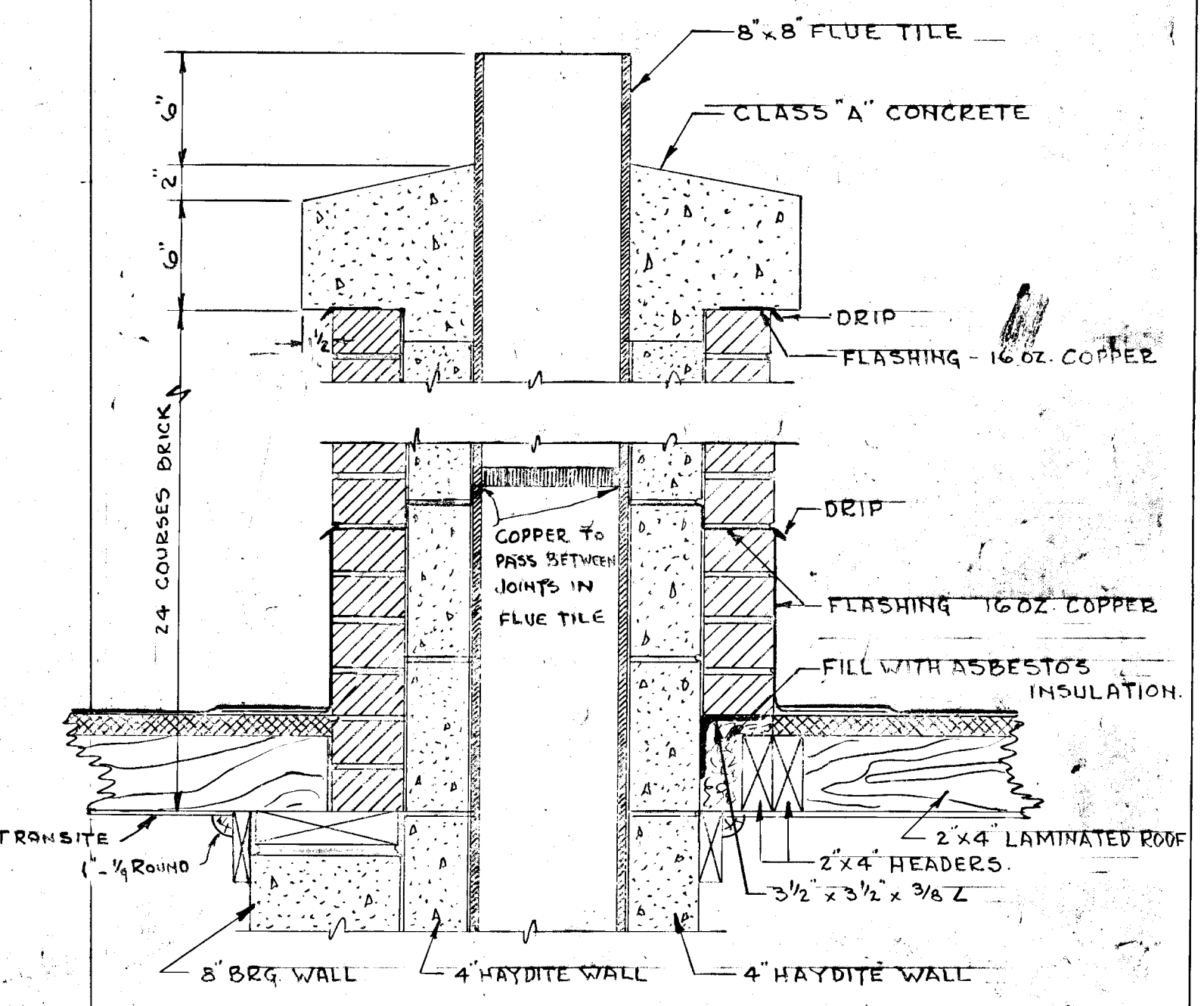
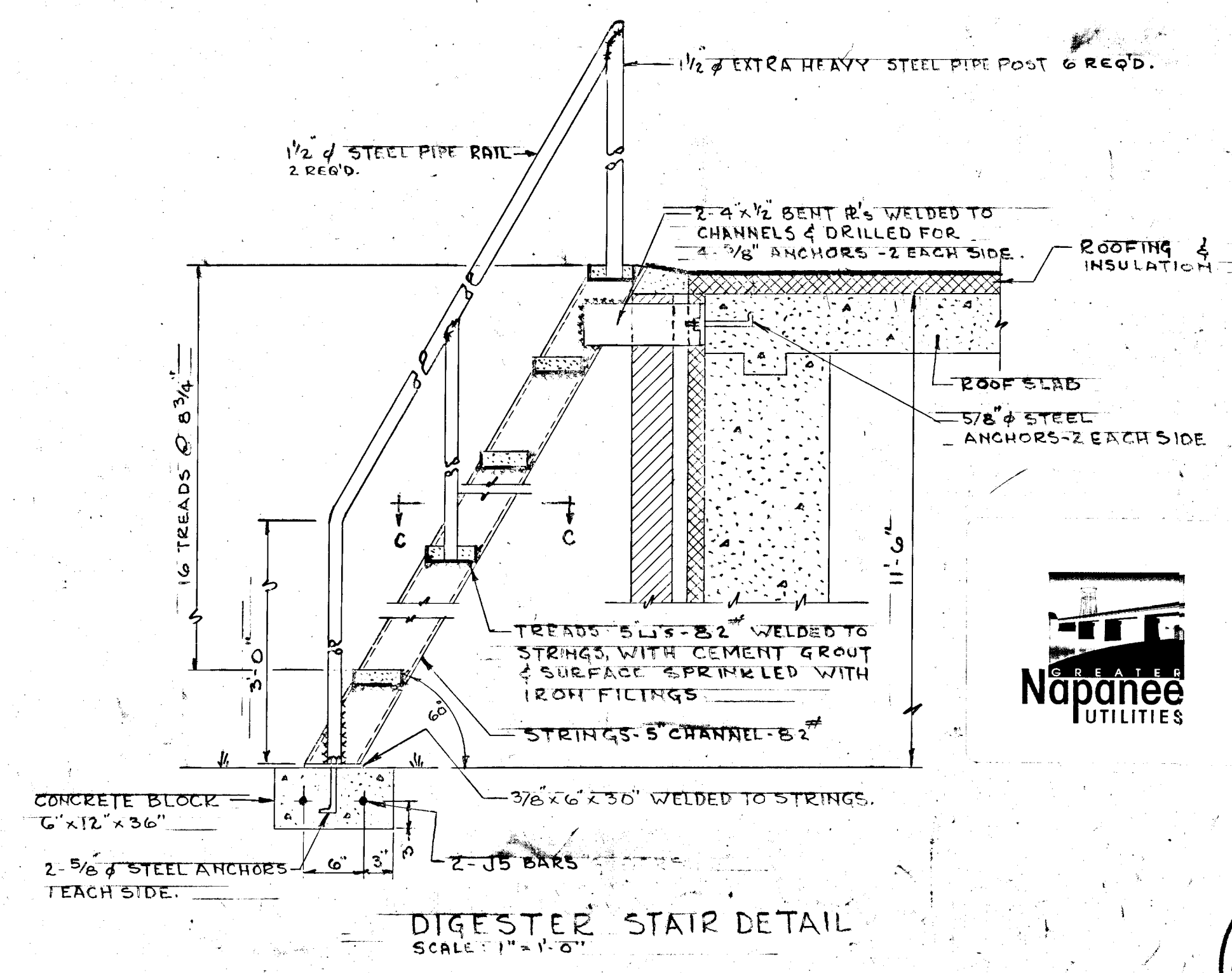
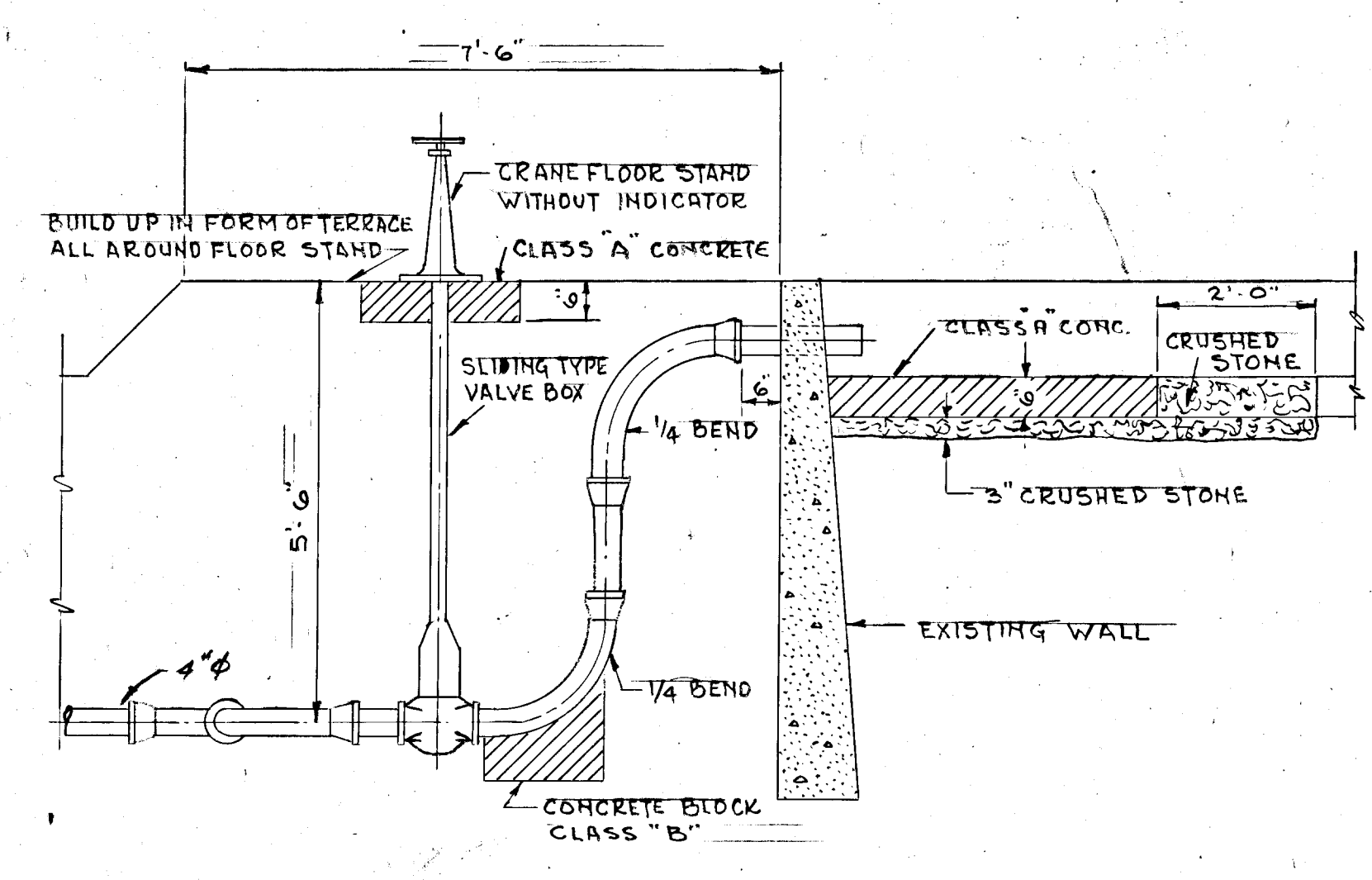
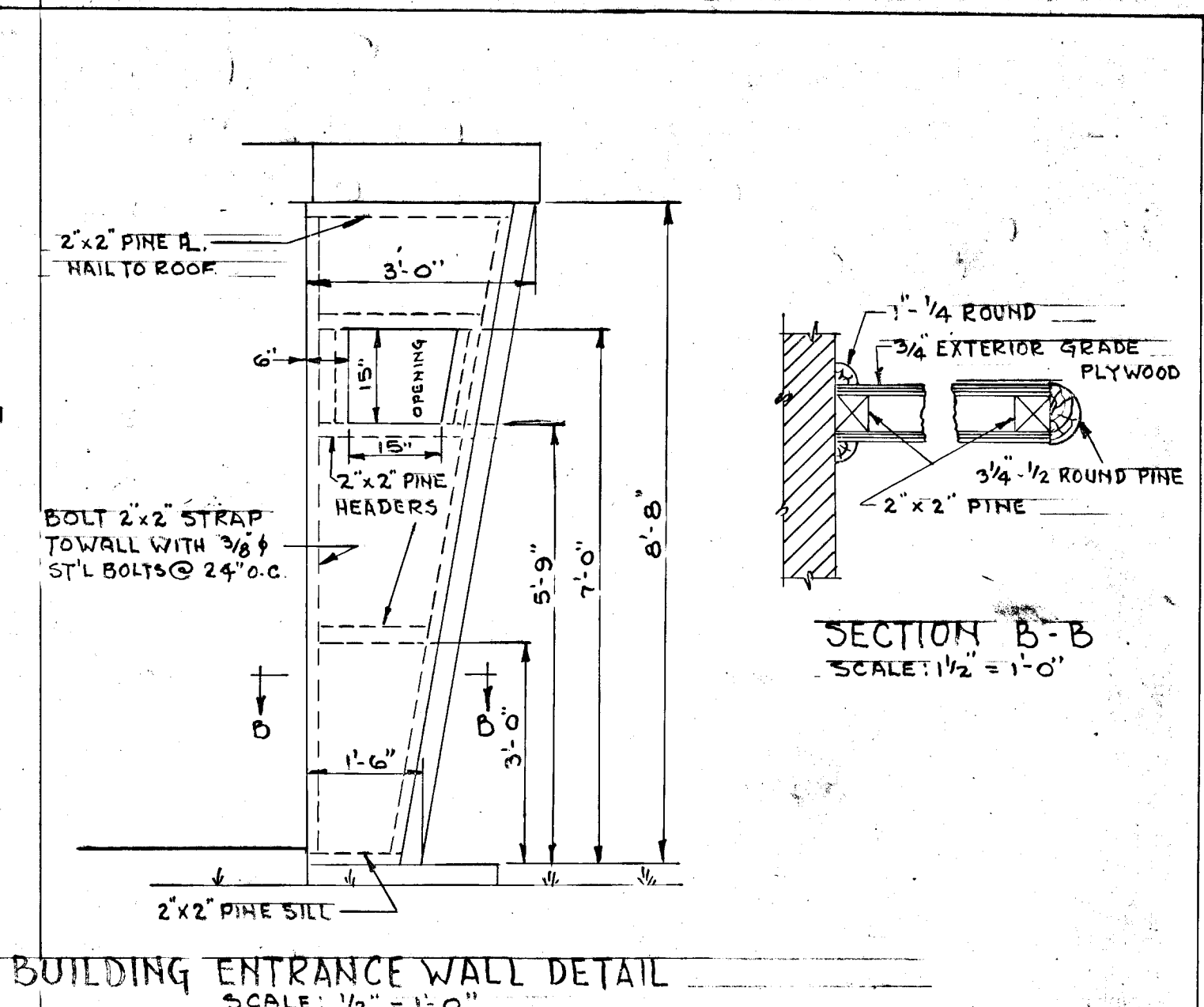
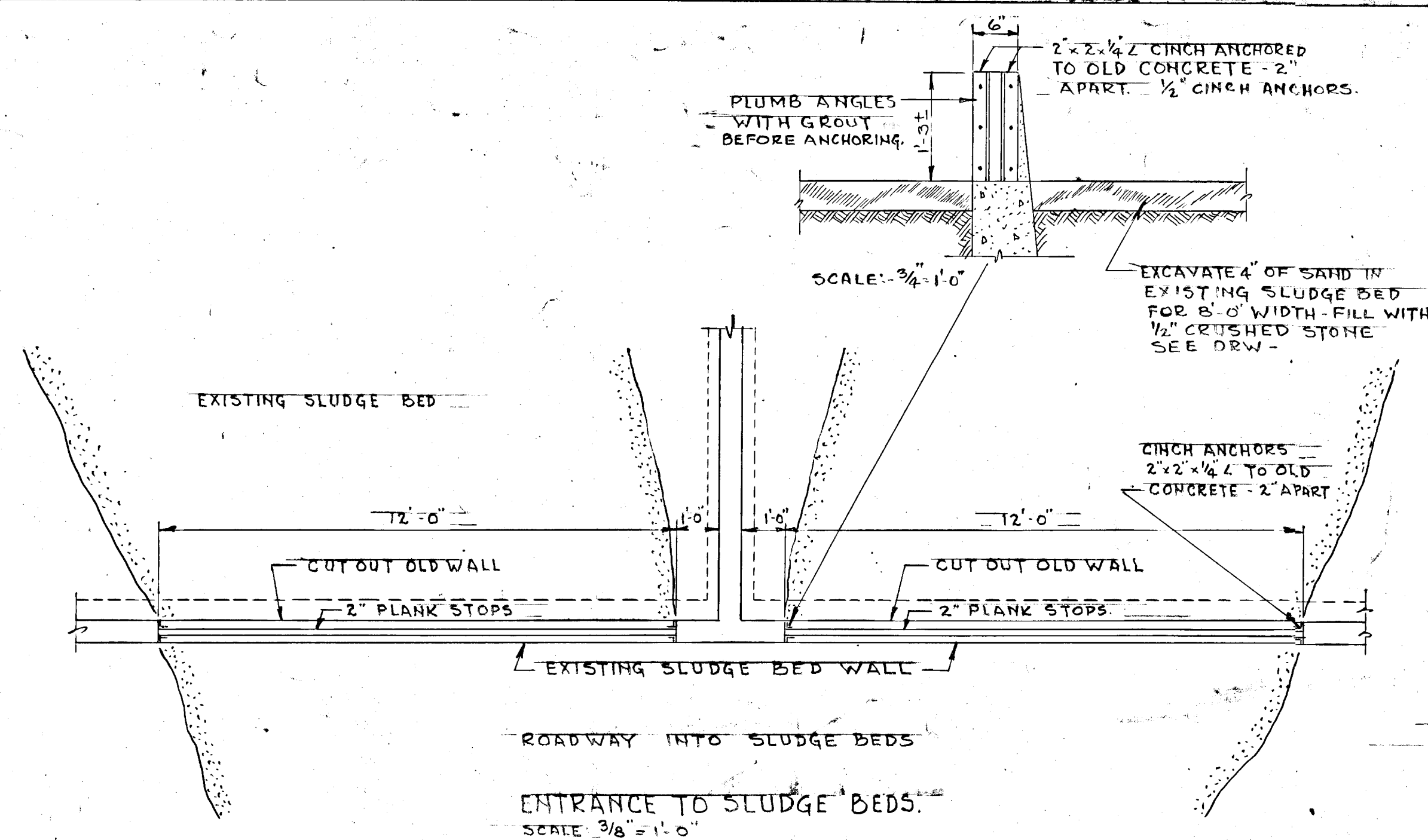
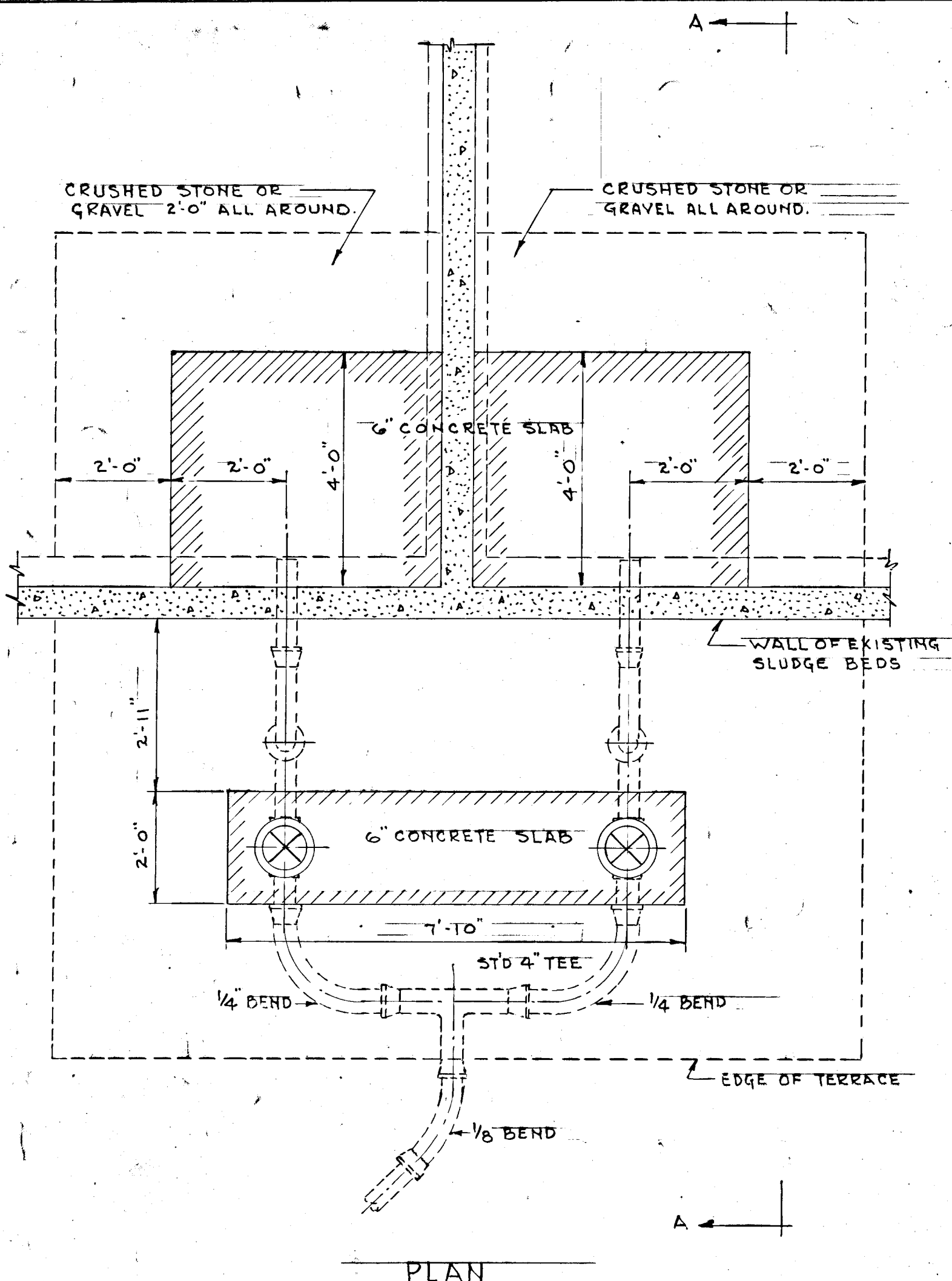
DESIGNED BY: _____

DRAWN BY: _____

PROJECT NO.: WCP-11822 - STD-11/12

PROJECT: GREATER NAPANEE WATER SUPPLY & POLLUTION CONTROL BOARD
78 EAST STREET, NAPANEE, ONTARIO, CAN. K7R 1S3
(613) 564-0338 FAX (613) 564-3638



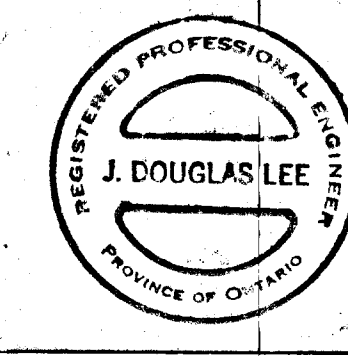


WPCP 019

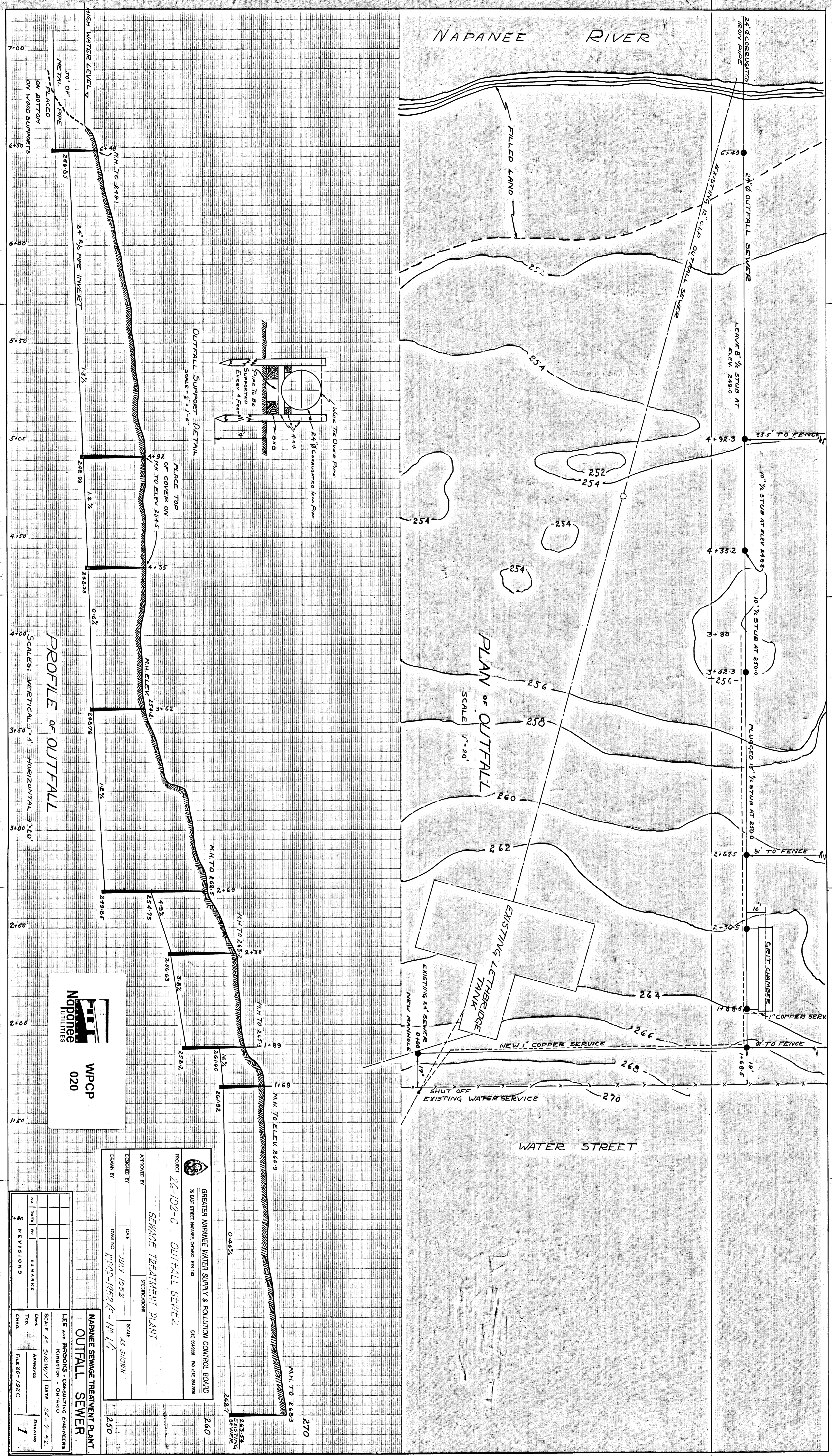
Napanee UTILITIES

<p>GREATER NAPANEE WATER SUPPLY & POLLUTION CONTROL BOARD</p> <p>75 EAST STREET, NAPANEE, ONTARIO K7R 1S3 (613) 354-9338 FAX (613) 354-2838</p>			
PROJECT			
MISCELLANEOUS DETAILS			
SEWAGE TREATMENT PLANT			
APPROVED BY	SPECIFICATIONS		
DESIGNED BY	DATE	SCALE	
	NOV. 1952	AS SHOWN	
DRAWN BY	DWG. NO.		
	WPCP-1952/2-MISC-12/12		

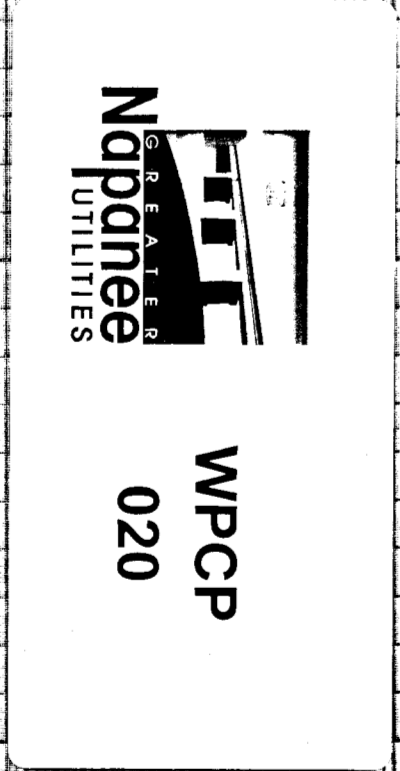
TOWN OF NAPANEE			
SEWAGE TREATMENT PLANT			
MISCELLANEOUS		DETAILS	
Lee & Brooks - CONSULTING ENGINEERS			
KINGSTON - ONTARIO			
SCALE: AS SHOWN		DATE: 30/11/52	
DWN:	APPROVED:	DRAWING	
TRD. <i>JML</i>	FILE	12	
NO. DATE BY DESCRIPTION	CHKD	26-347 C	
REVISIONS			



TRIM



PROFILE OF OUTFALL
 SCALES: VERTICAL 1"=4', HORIZONTAL 3"=20'



PROJECT: 26-192-C OUTFALL SEWER
 SENIORITY: SENIORITY
 DATE: JULY 1952
 DRAWN BY: [Name]
 CHECKED BY: [Name]
 APPROVED BY: [Name]
 SCALE: AS SHOWN

NO.	DATE	BY	REVISIONS
1	7-26-52	[Name]	AS SHOWN

LEE AND BROSIGS CONSULTING ENGINEERS
 610 W. 11th St. S. S. MINNAPOLIS, MINN.
 SCALE AS SHOWN DATE 7-26-52
 APPROVED: [Signature] DRAWING NO. 26-192-C
 FILE 26-192-C

TRIM

TRIM

TRIM

WPCP 021

Napanee Utilities

GREATER NAPANEE WATER SUPPLY & POLLUTION CONTROL BOARD
 75 EAST STREET, NAPANEE, ONTARIO, CAN. L3B 3H3
 (519) 344-2008 FAX (519) 344-2008

PROJECT: 76-556E DIGESTOR - CONTROL BLDG. - GRIT CHAMBER - CLARIFIER - SEWAGE TREATMENT PLANT.

APPROVED BY: _____ PROFESSIONAL ENGINEER

DESIGNED BY: _____ DATE: OCT. 1983 SCALE: SLOWLY

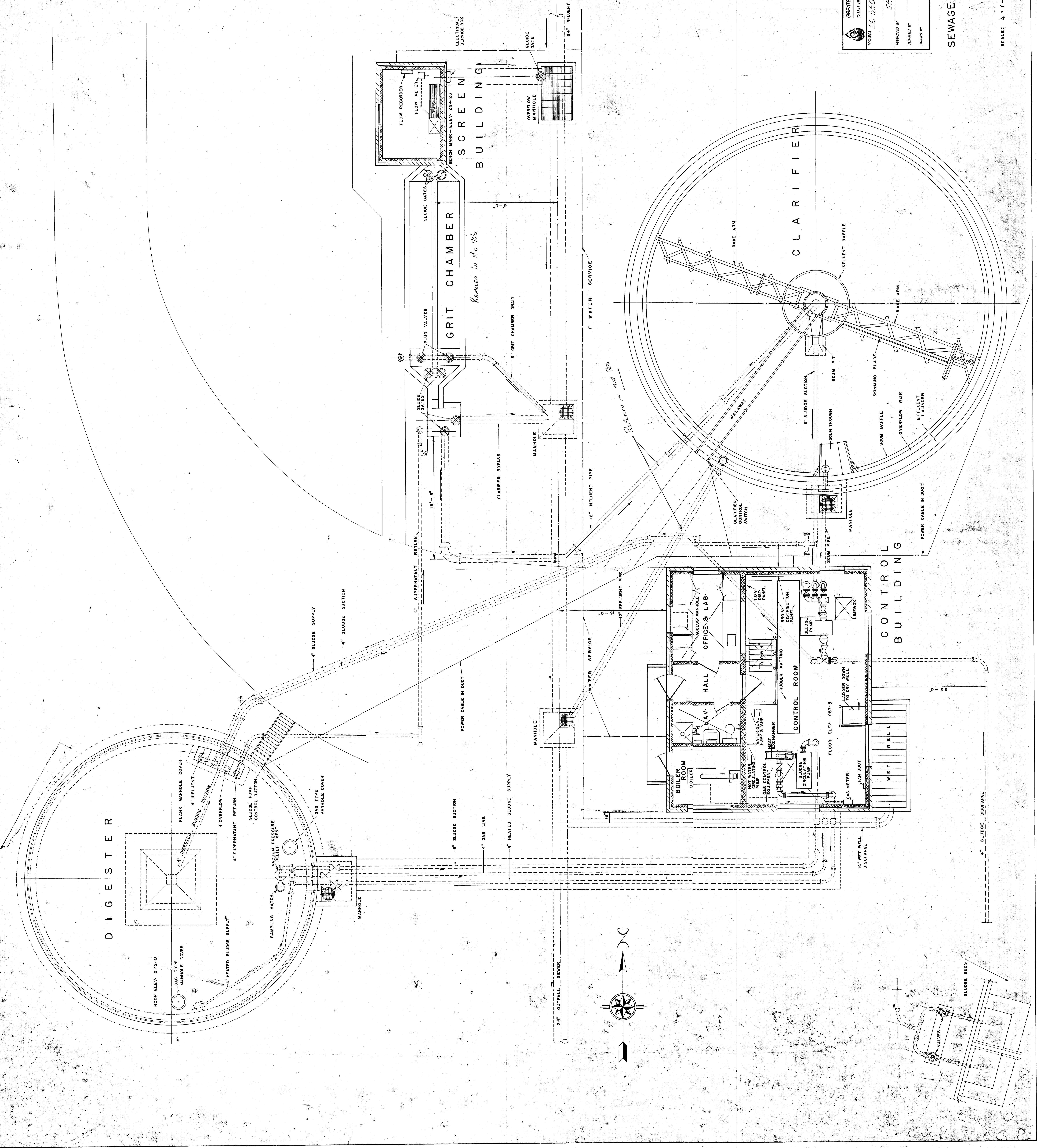
DRAWN BY: _____ DATE: 10/23/1983 - 02/11/84

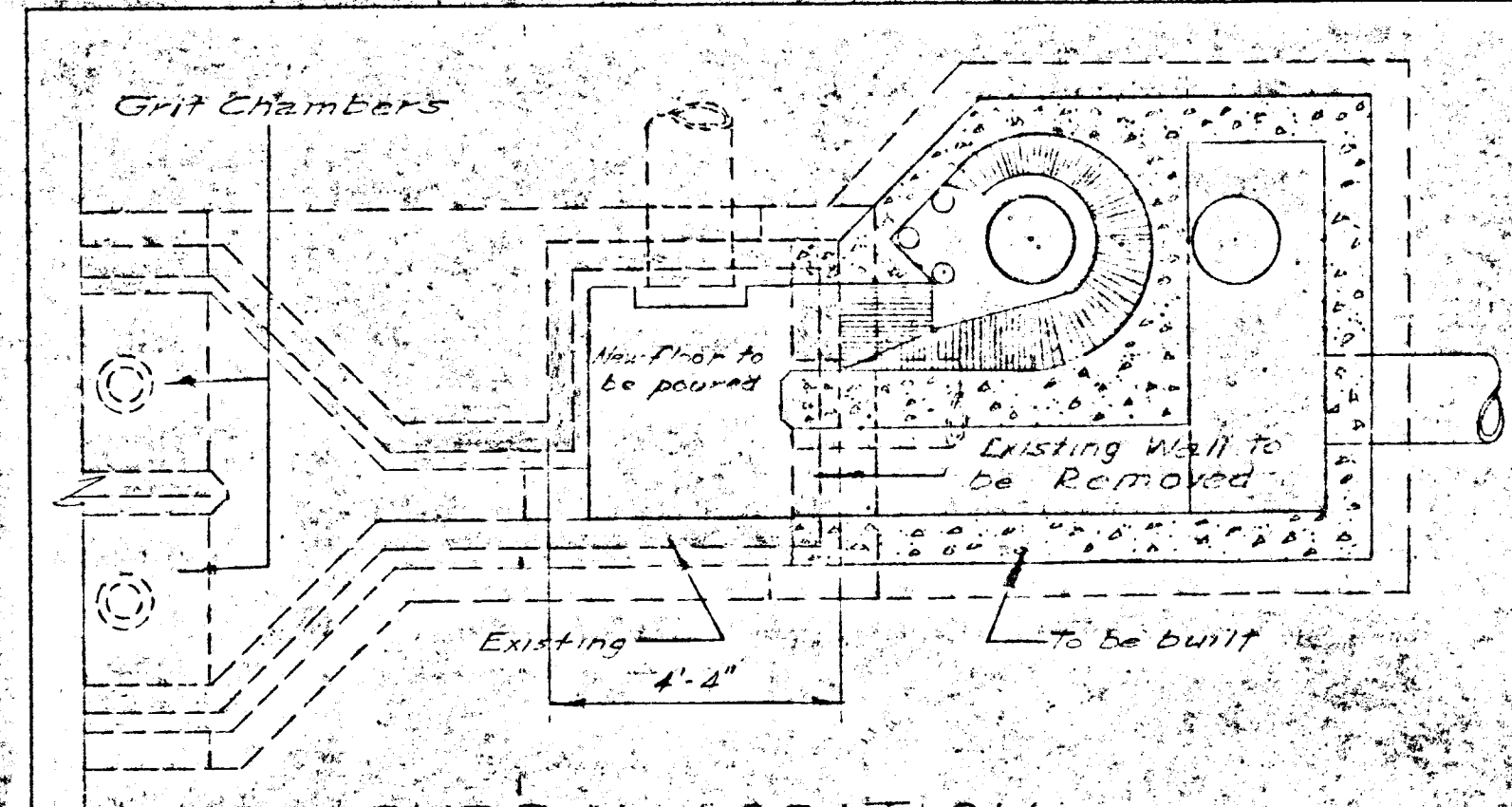
TOWN OF NAPANEE
SEWAGE TREATMENT PLANT

LEE & BROOKS
 CONSULTING ENGINEERS
 KINGSTON, ONTARIO

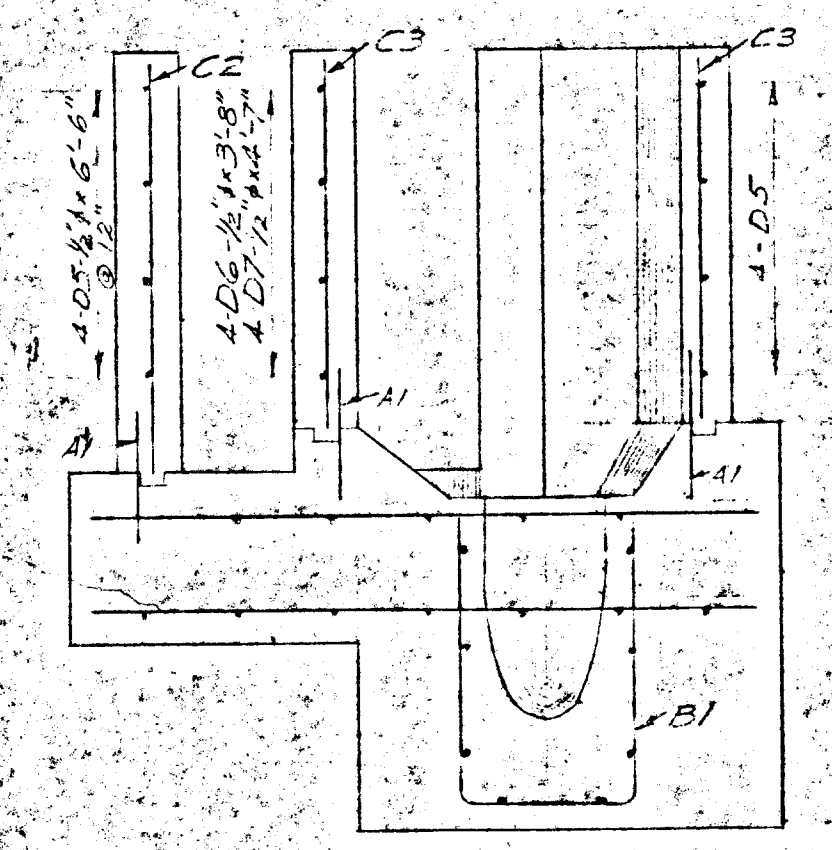
DATE: OCT. 1983
 88-556E

SCALE: 1/4" = 1'-0"



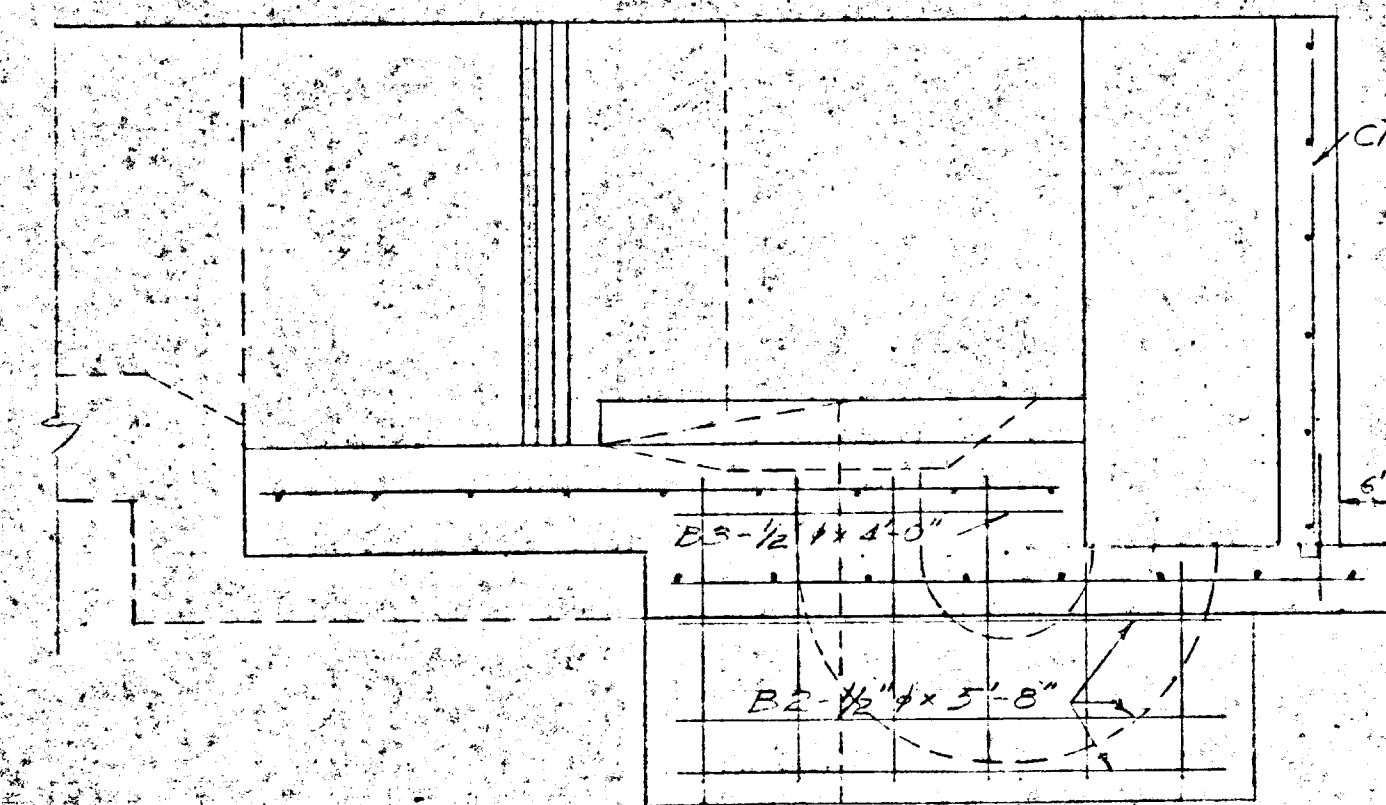


GENERAL LOCATION
Scale 3/8"=1'-0"

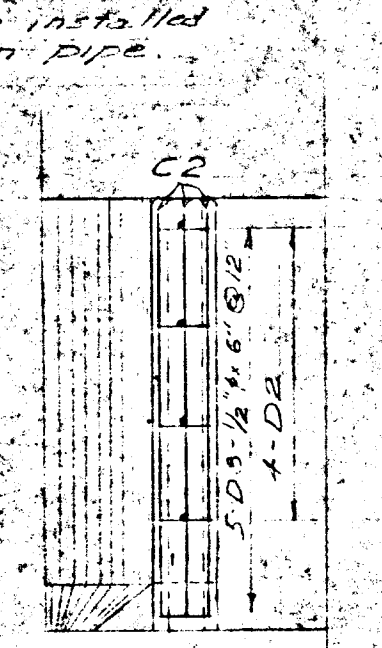


SECTION E-E
Scale 1/2"=1'-0"

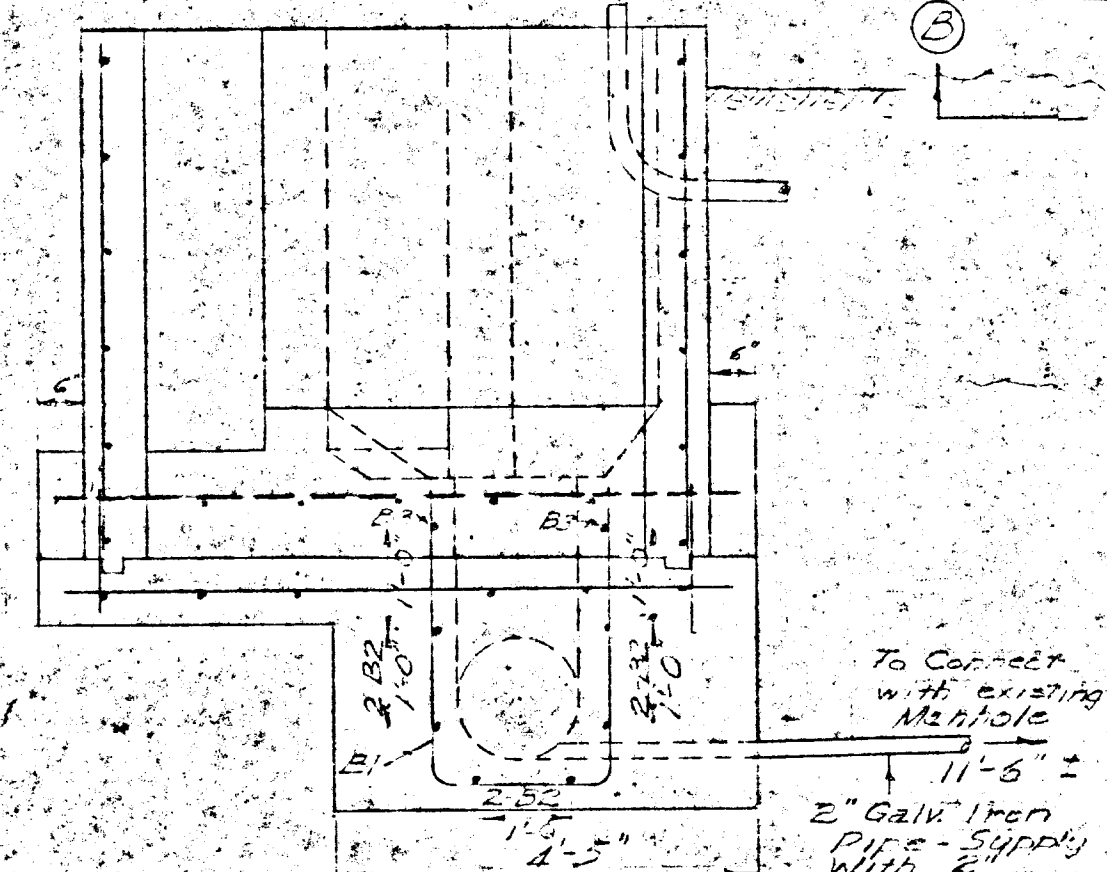
NOTE: At joints between old and new walls old wall is to be drilled and 1/2" dia. dowels grouted into old concrete at least 8" Old wall to be painted with a mixture of cement and water before pouring new wall against it. 1" Chamfer to be provided at all exposed edges. Brass Gate Valve to be installed inside manhole at end of 2" drain pipe.



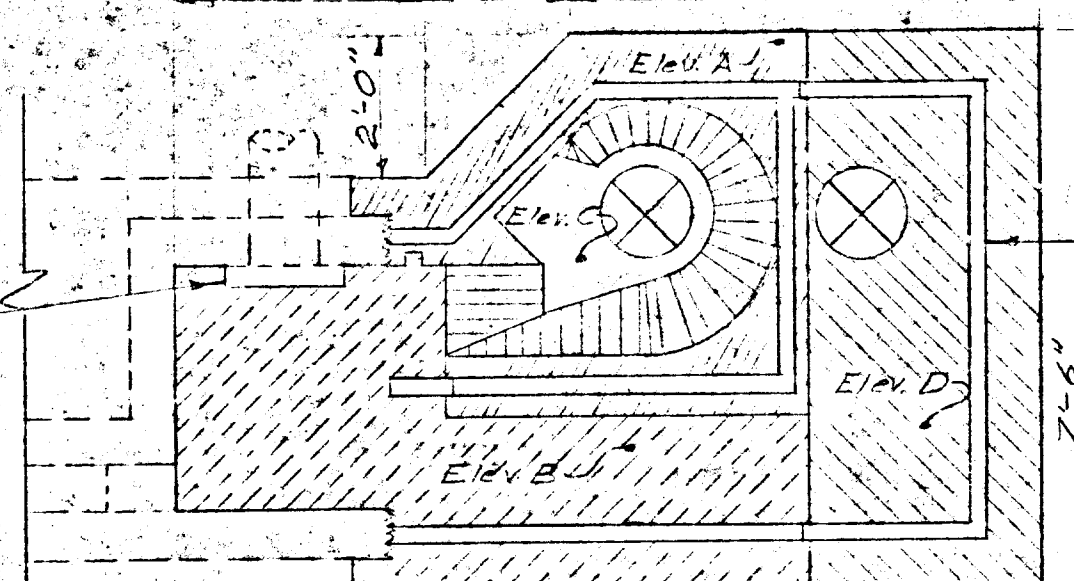
SECTION B-B
Scale 1/2"=1'-0"



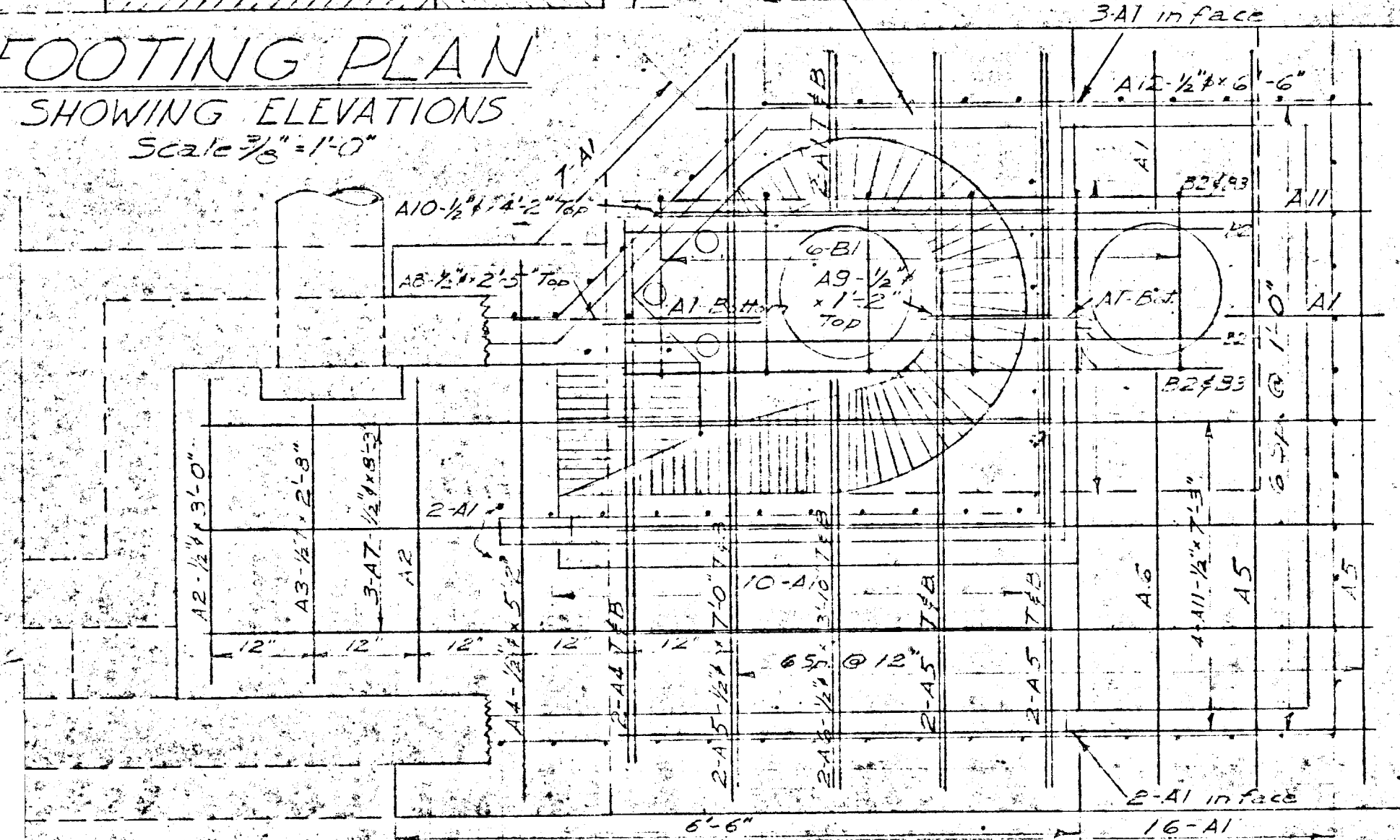
SECTION D-D
Scale 1/2"=1'-0"



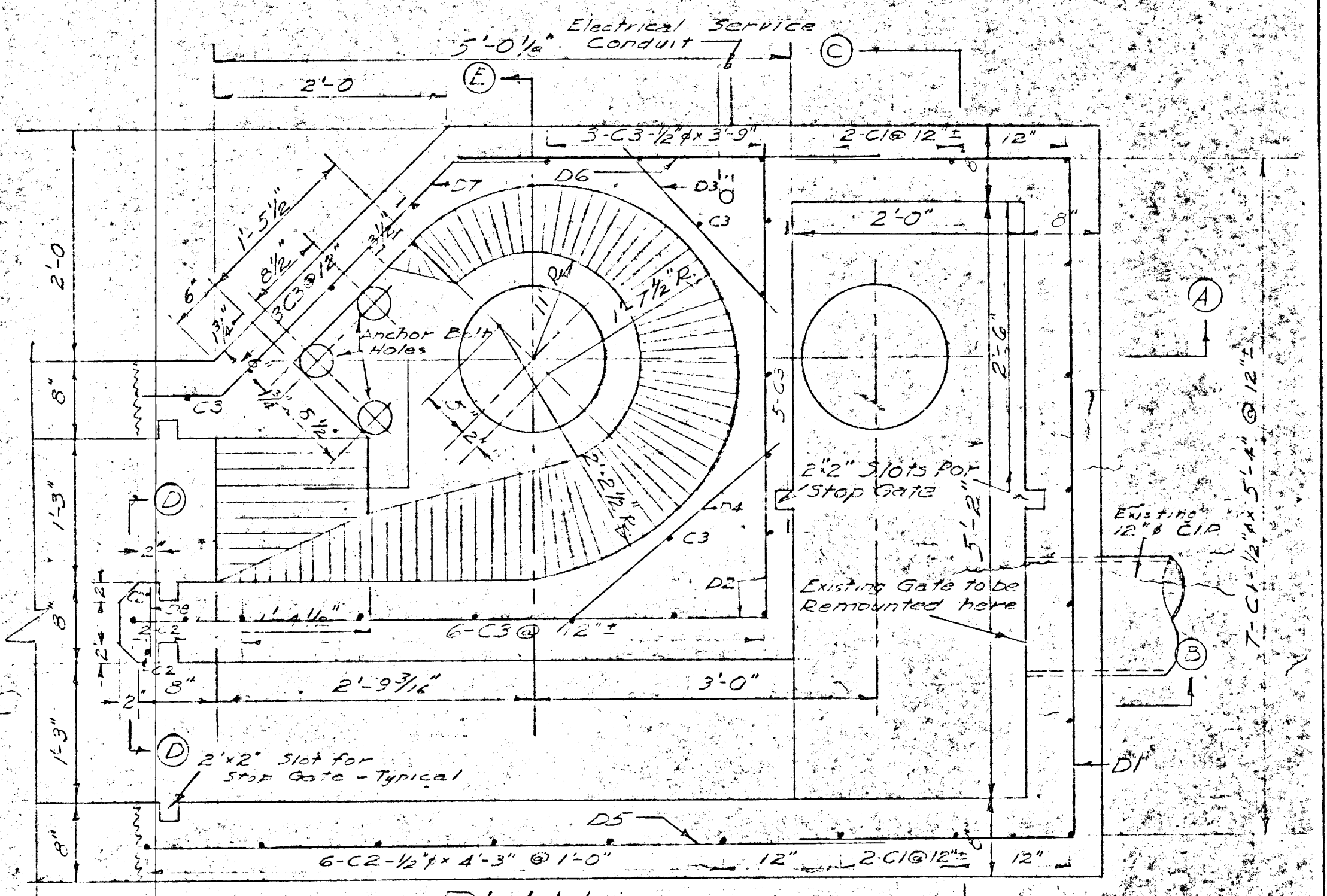
SECTION C-C
Scale 1/2"=1'-0"



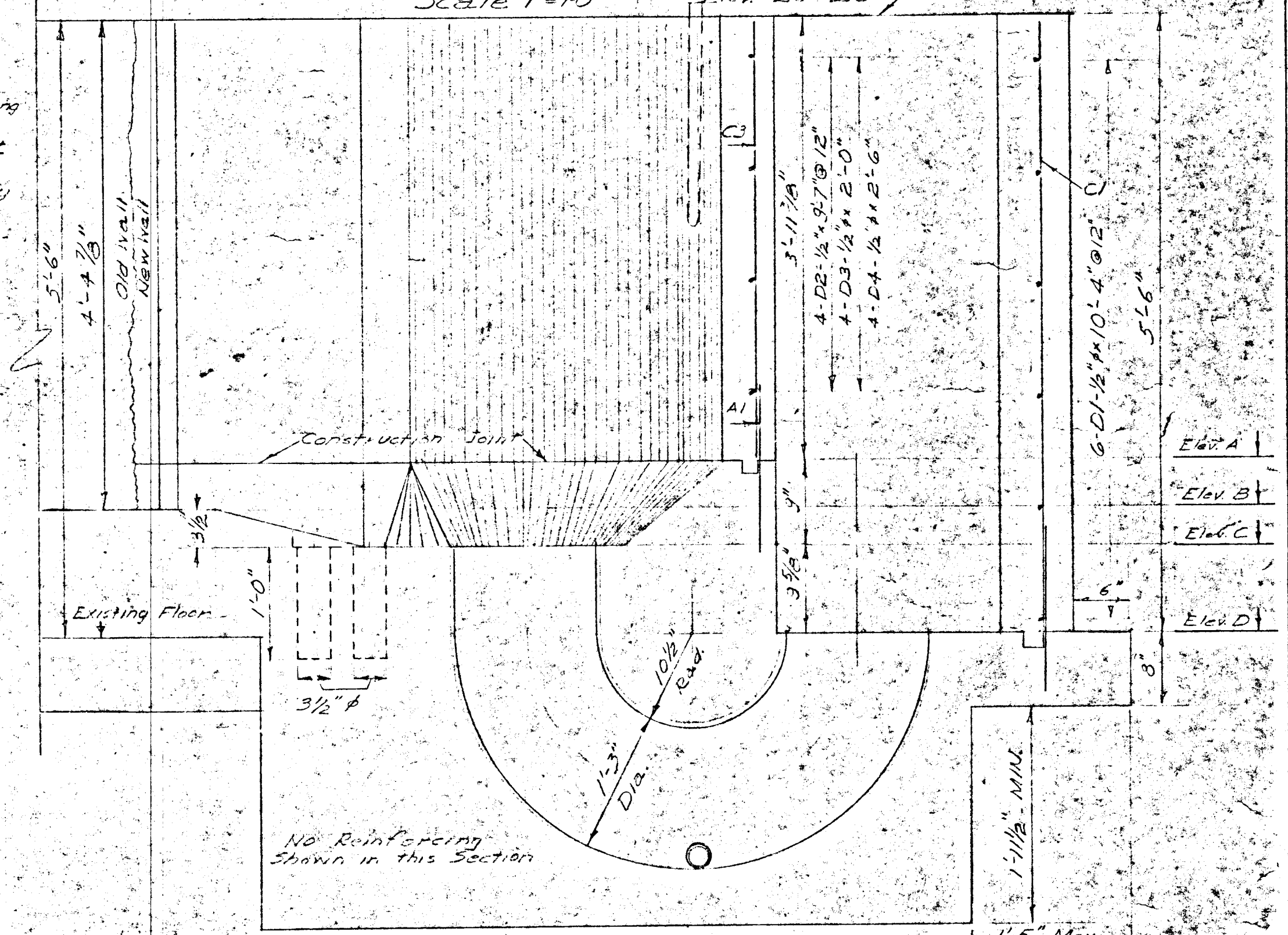
FOOTING PLAN
SHOWING ELEVATIONS
Scale 3/8"=1'-0"



FOOTING PLAN
Scale 3/4"=1'-0"



PLAN
Scale 1"=1'-0"



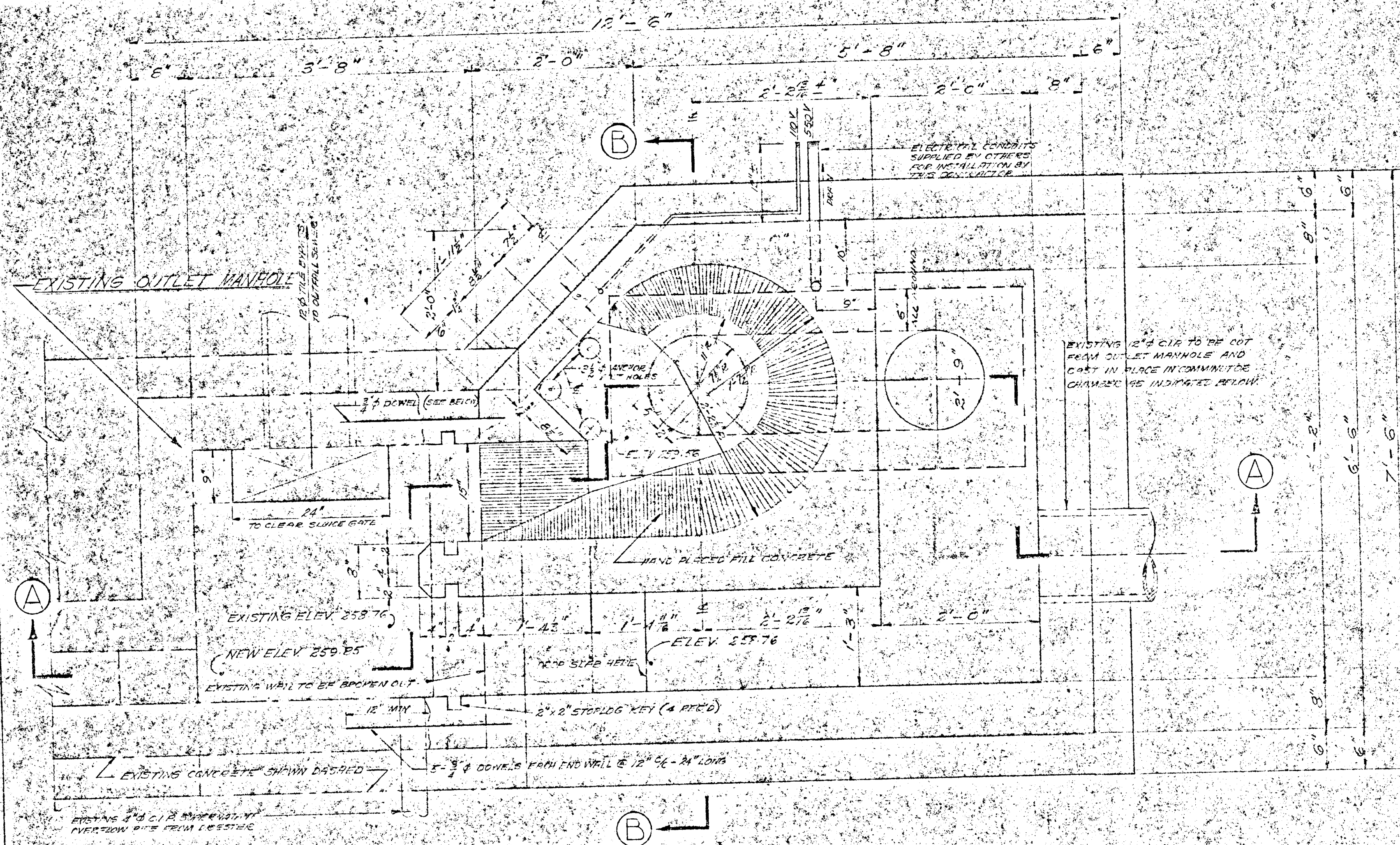
SECTION A-A
Scale 1"=1'-0"



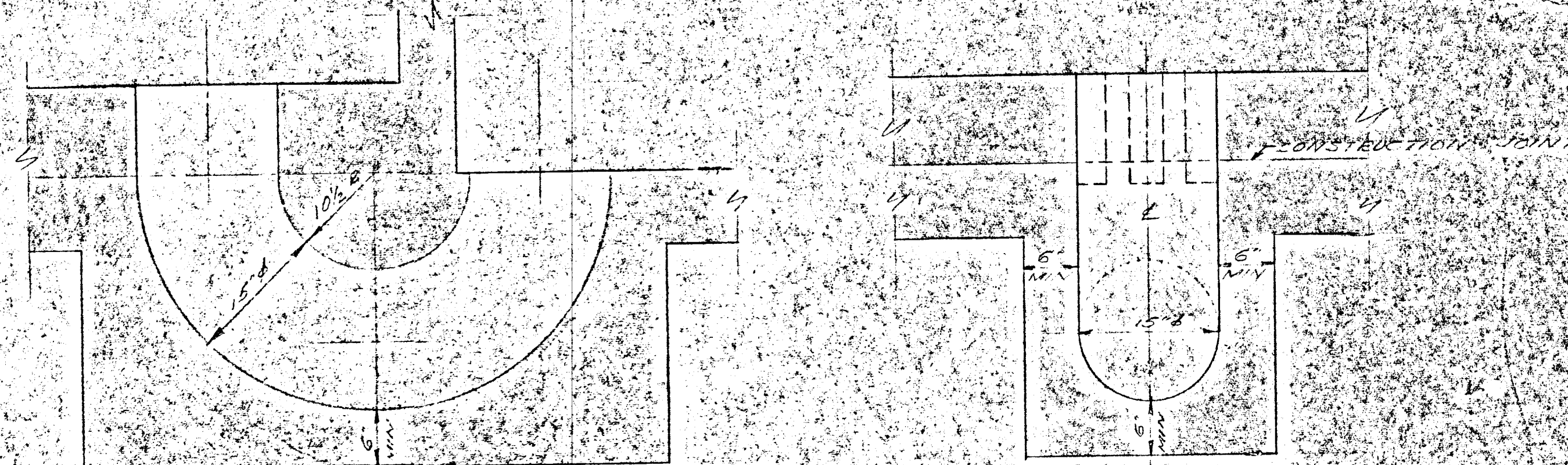
WPCP
022

<p>GREATER NAPANEE WATER SUPPLY & POLLUTION CONTROL BOARD 75 EAST STREET, NAPANEE, ONTARIO K7R 1S3 (613) 354-9338 FAX (613) 354-2838</p>			
PROJECT COMMUNOTOR CHAMBER WATER POLLUTION CONTROL PLANT			
APPROVED BY	SPECIFICATIONS		
DESIGNED BY	DATE JULY 1955	SCALE AS SHOWN	
DRAWN BY	DWG NO. WPCP-1955/1-STR-NO 1/2		

TOWN OF NAPANEE			
COMMUNOTOR CHAMBER			
J.D. LEE & COMPANY LTD. CONSULTING ENGINEERS - KINGSTON ONTARIO			
DESIGN	SCALE As Shown	JOB NO. 26-2	1
DWN.	DATE July 21/55	FILE	
TRCD.			

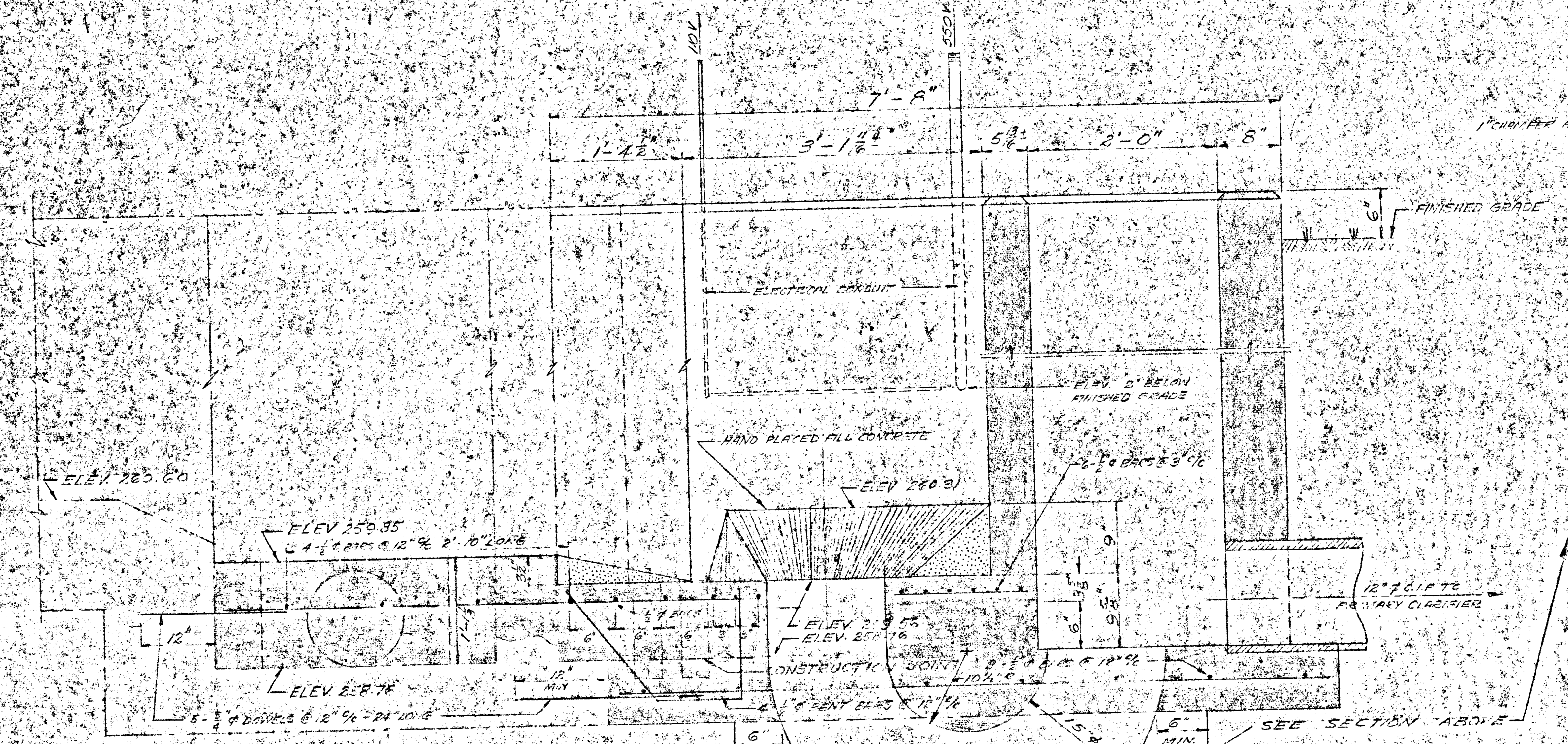


PLAN OF COMMINUTOR CHAMBER

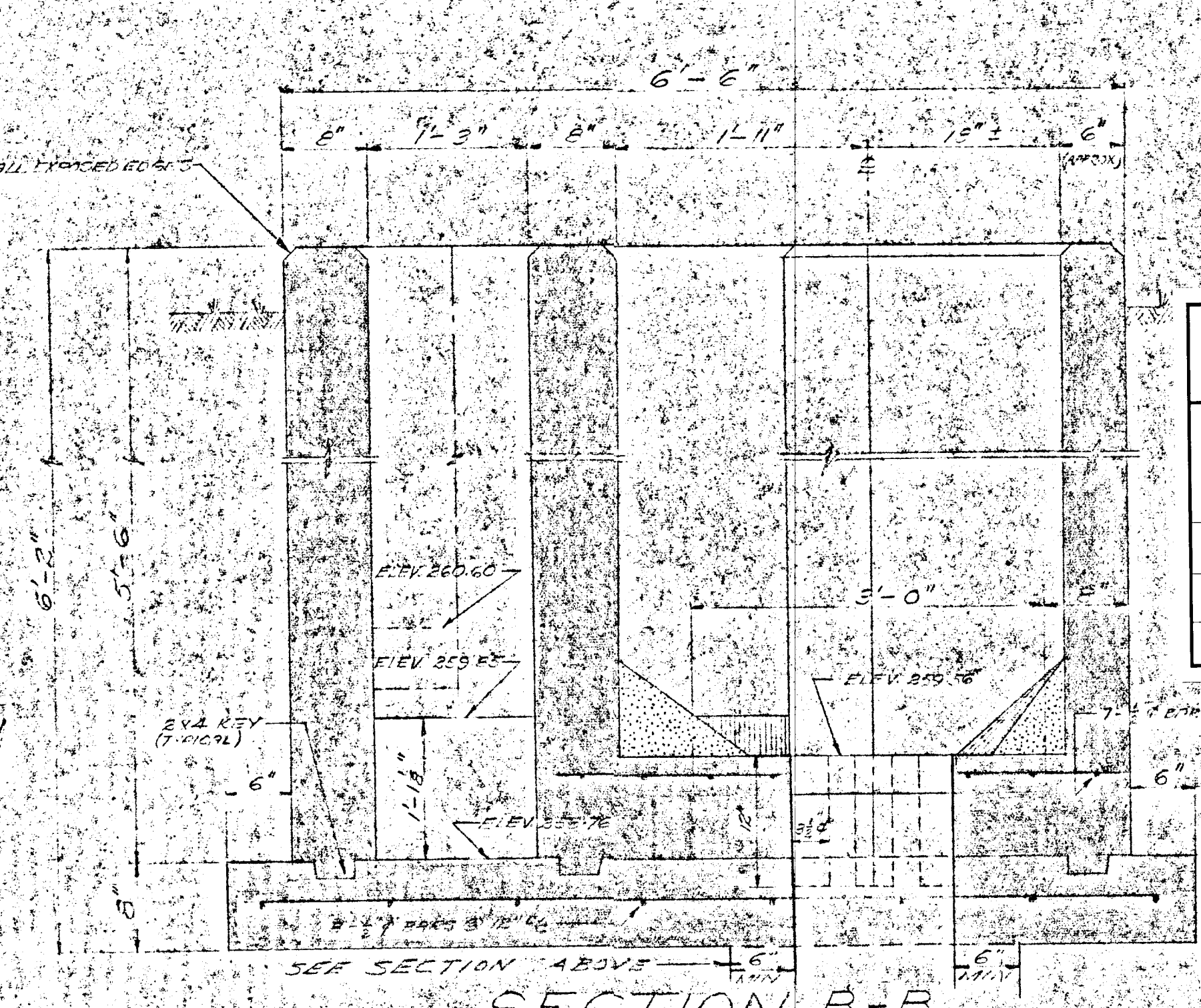


SECTION THROUGH COMMINUTOR CHANNEL

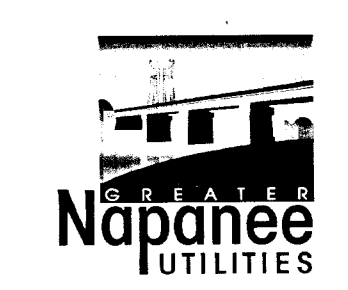
- NOTES**
1. ALL CONCRETE TO TEST 3000 PSI 28 DAYS
 2. PAINT OLD CONCRETE SURFACES WITH A CEMENT AND WATER MIX BEFORE LAYING
 3. RMB ALL EXPOSED CONCRETE WITH CARBORUNDUM STONE
 4. ALL CONSTRUCTION JOINTS TO BE APPROVED BY THE ENGINEER



SECTION A-A



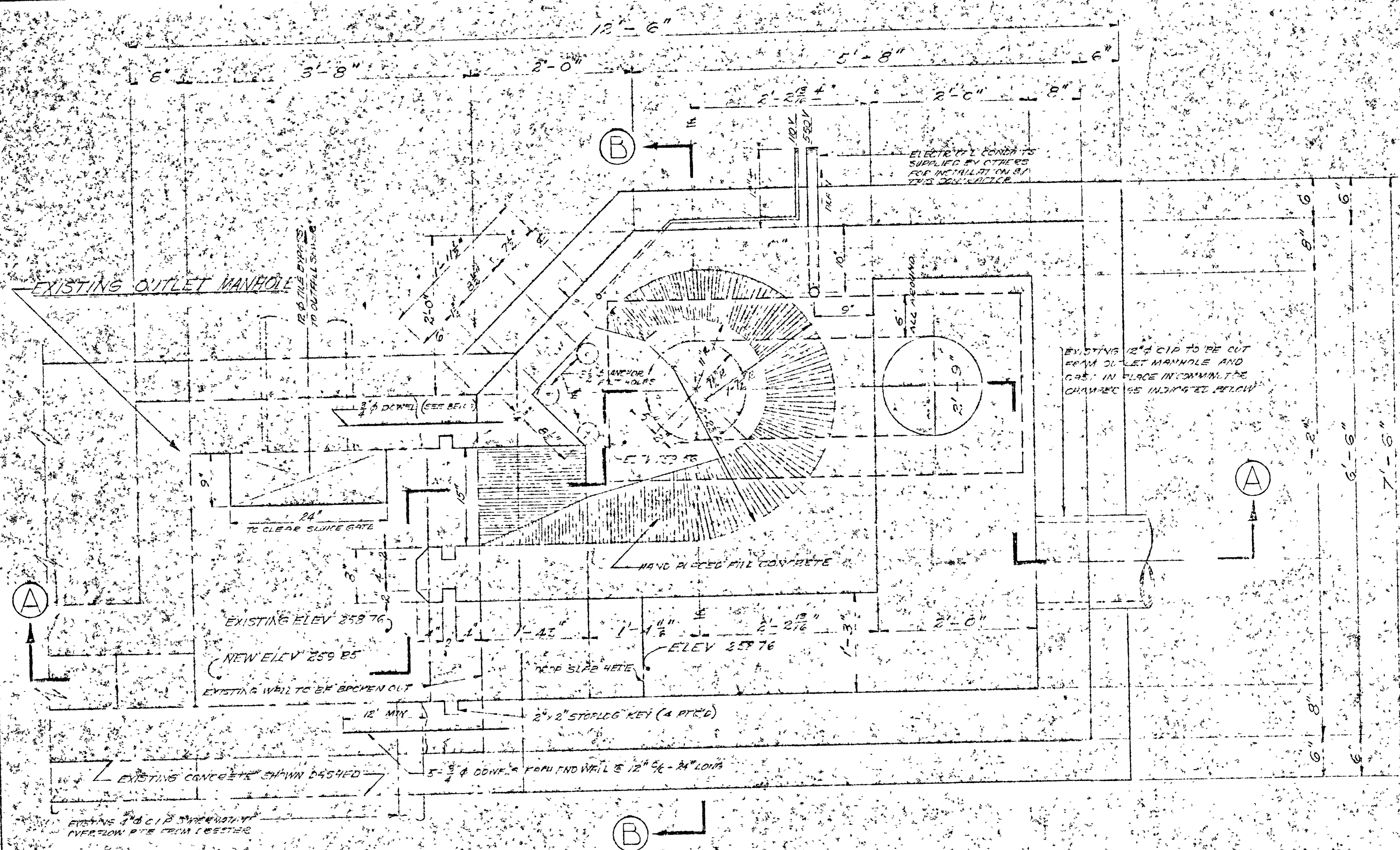
SECTION B-B



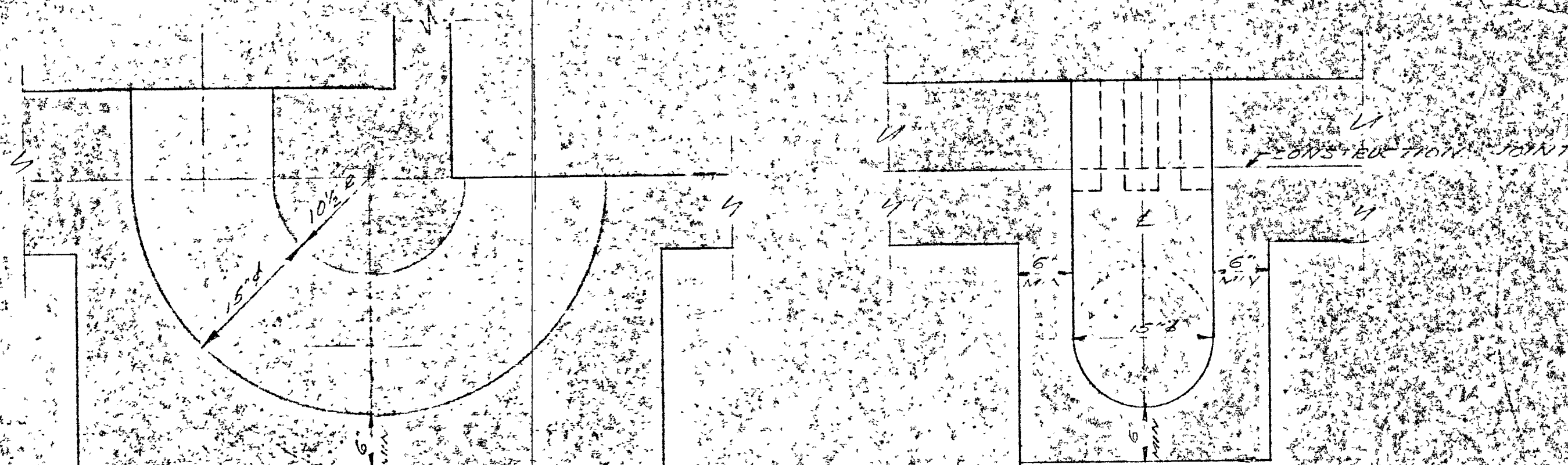
WPCP
023

<p>GREATER NAPANEE WATER SUPPLY & POLLUTION CONTROL BOARD 75 EAST STREET, NAPANEE, ONTARIO K7R 1S3 (613) 354-8338 FAX (613) 354-2838</p>			
PROJECT			
COMMUNUTOR CHAMBER WATER POLLUTION CONTROL PLANT			
APPROVED BY	SPECIFICATIONS		
DESIGNED BY	DATE	SCALE	
	SEPT 1955	AS NOTED	
DRAWN BY	DWG NO.	WPCP-1955/2-STR-Nº 2/2	

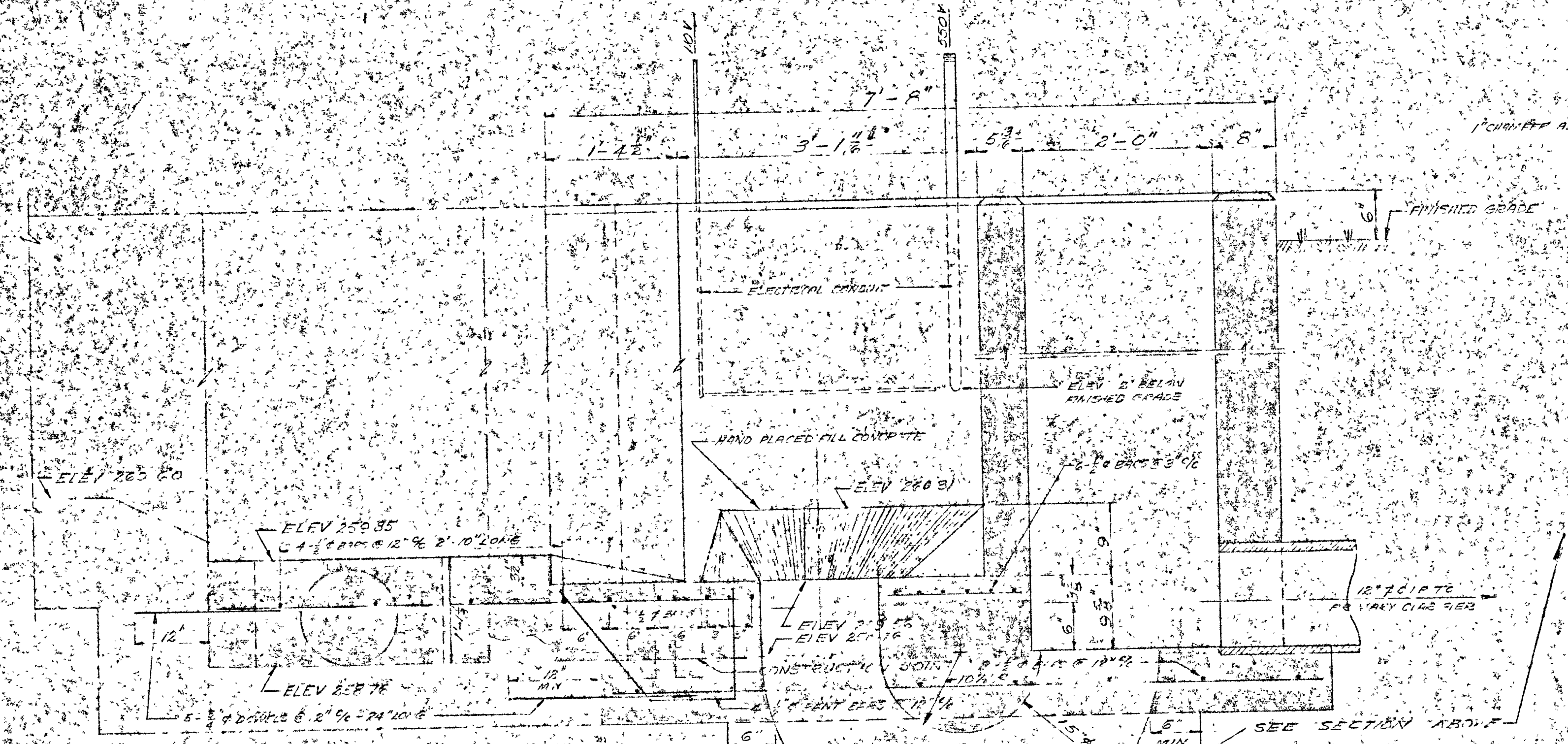
TOWN OF NAPANEE		
SEWAGE TREATMENT PLANT		
COMMUNUTOR CHAMBER		
J.D. LEE & COMPANY LTD.		
CONSULTING ENGINEERS - KINGSTON ONTARIO		
DESIGN	SCALE	JOB NO.
DWN	DATE	FILE
TRCD		



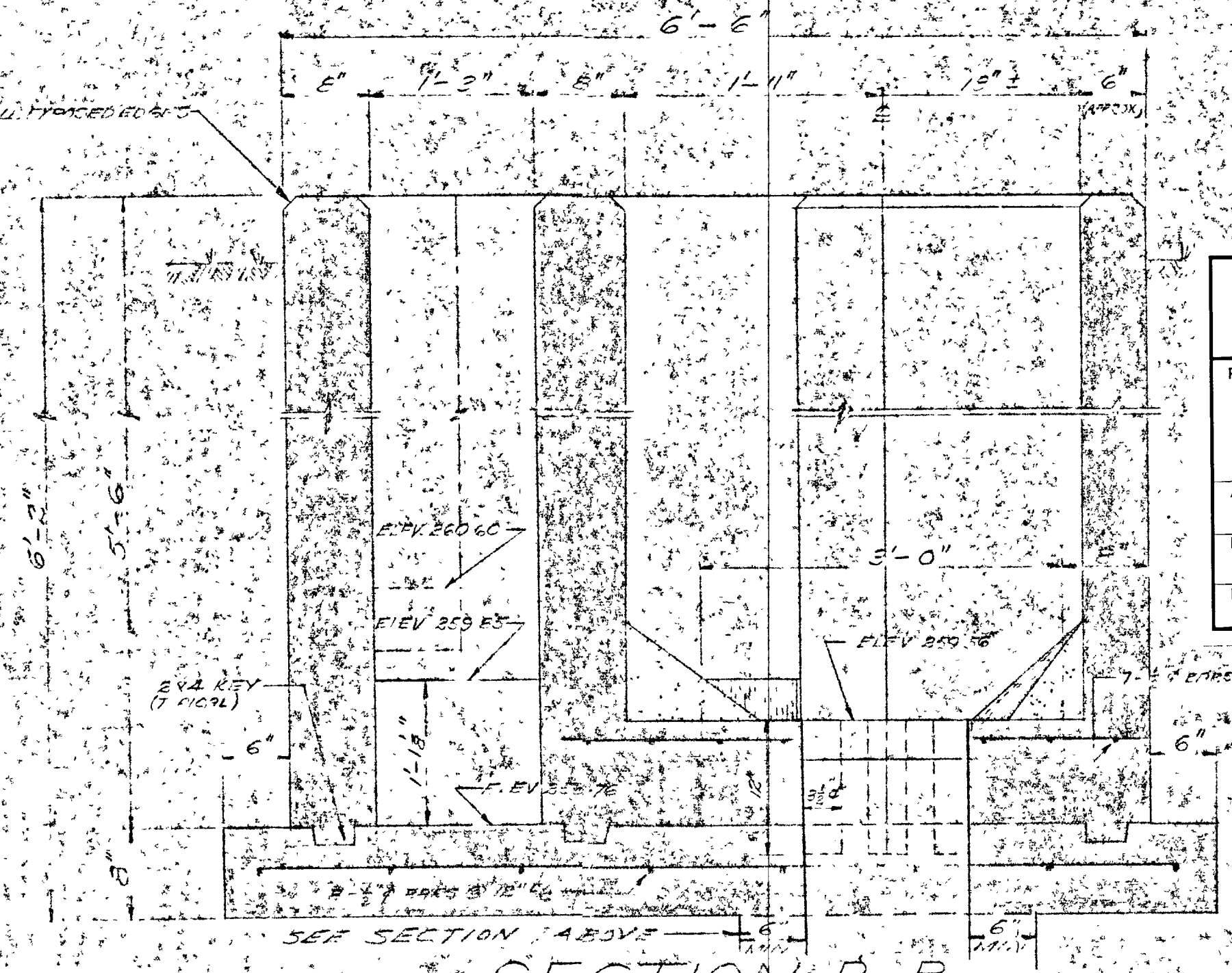
PLAN OF COMMUNOTOR CHAMBER



SECTION THROUGH COMMUNOTOR CHANNEL



SECTION A-A



SECTION B-B

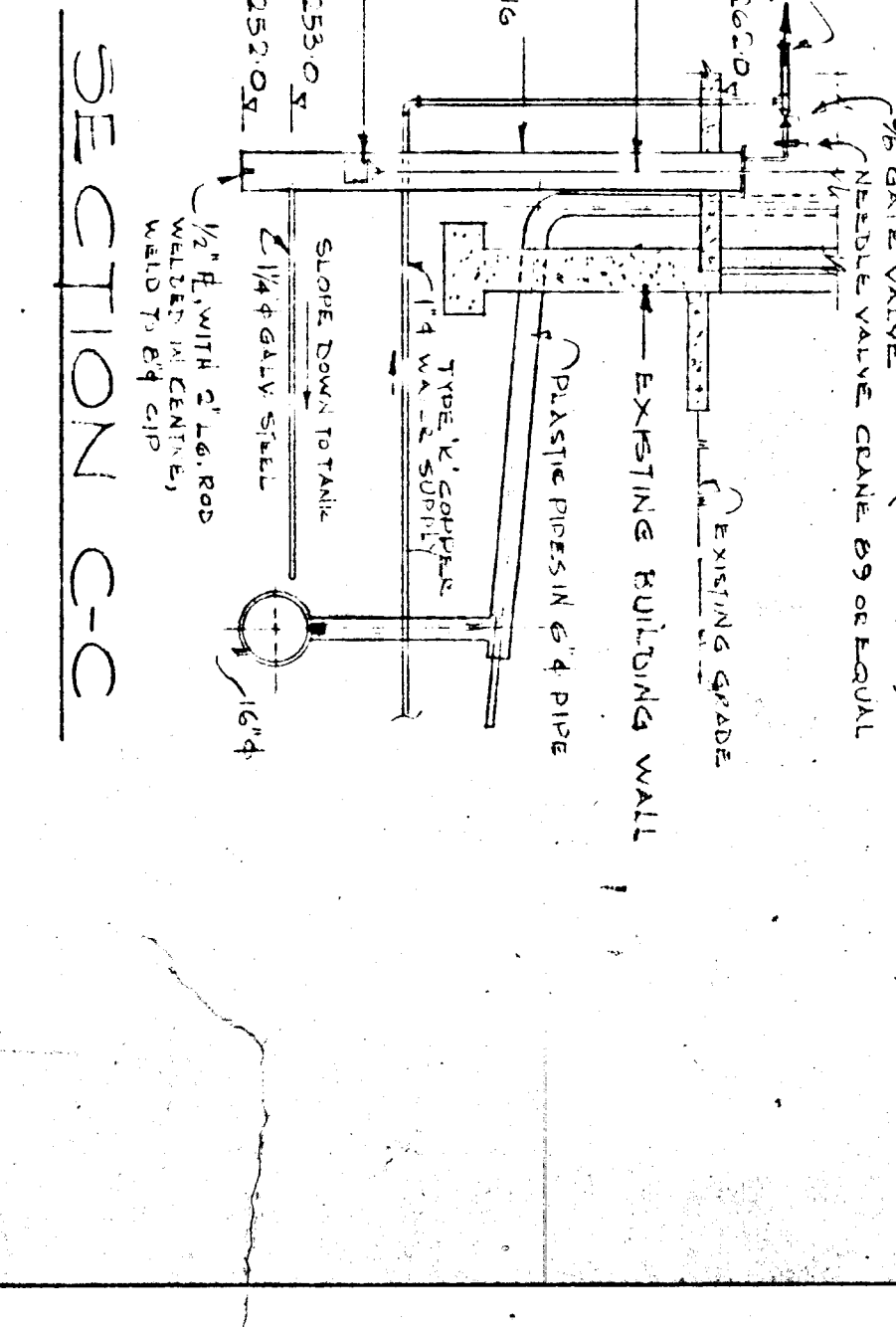
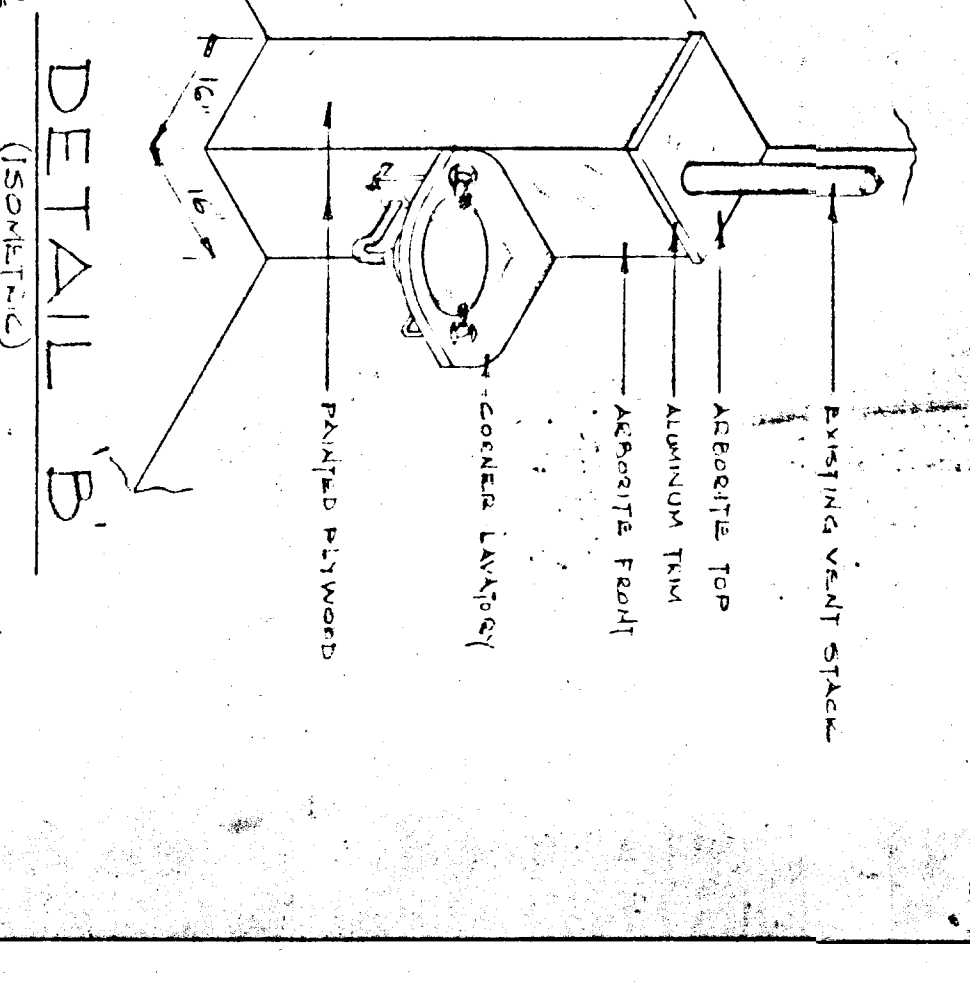
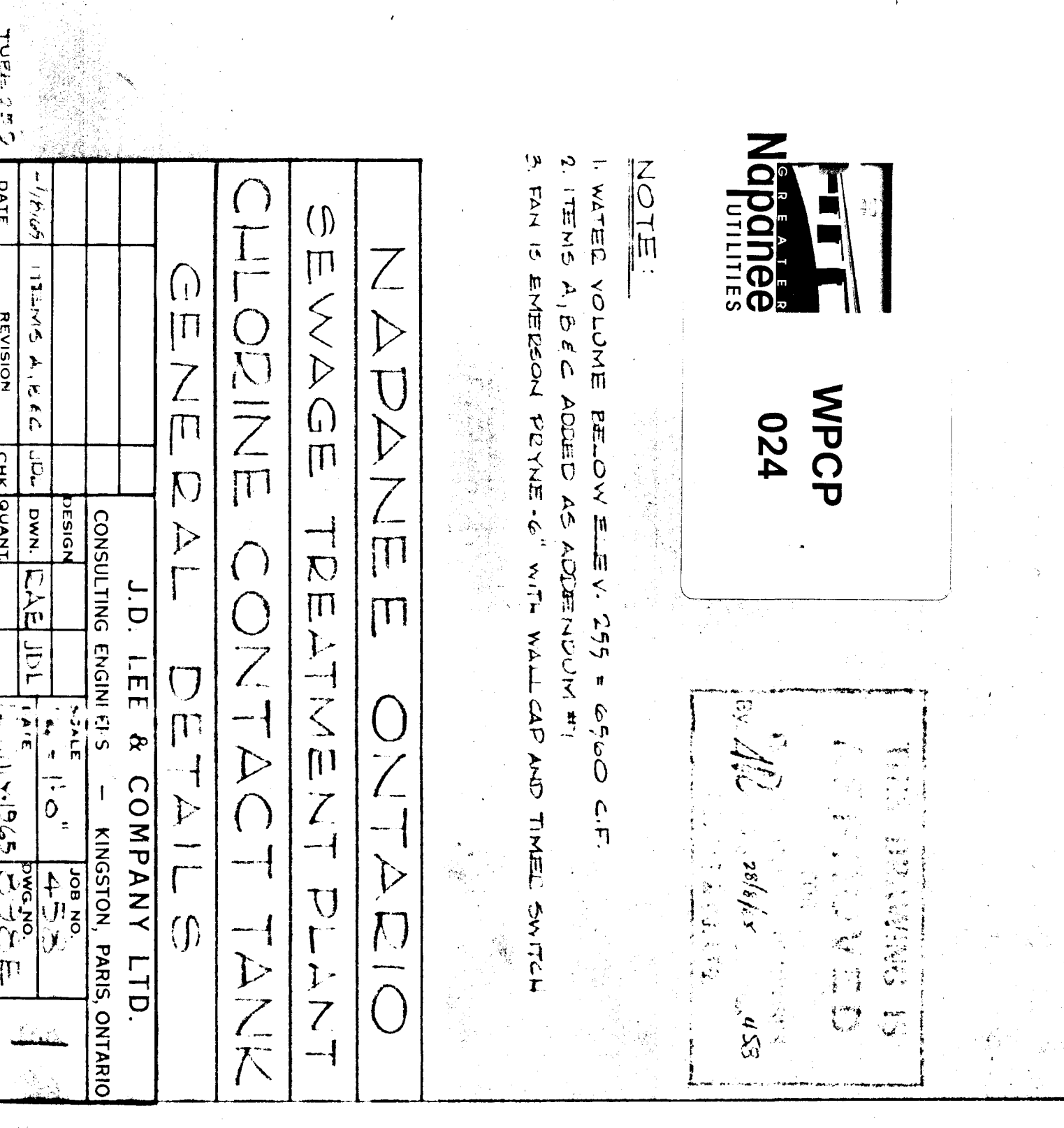
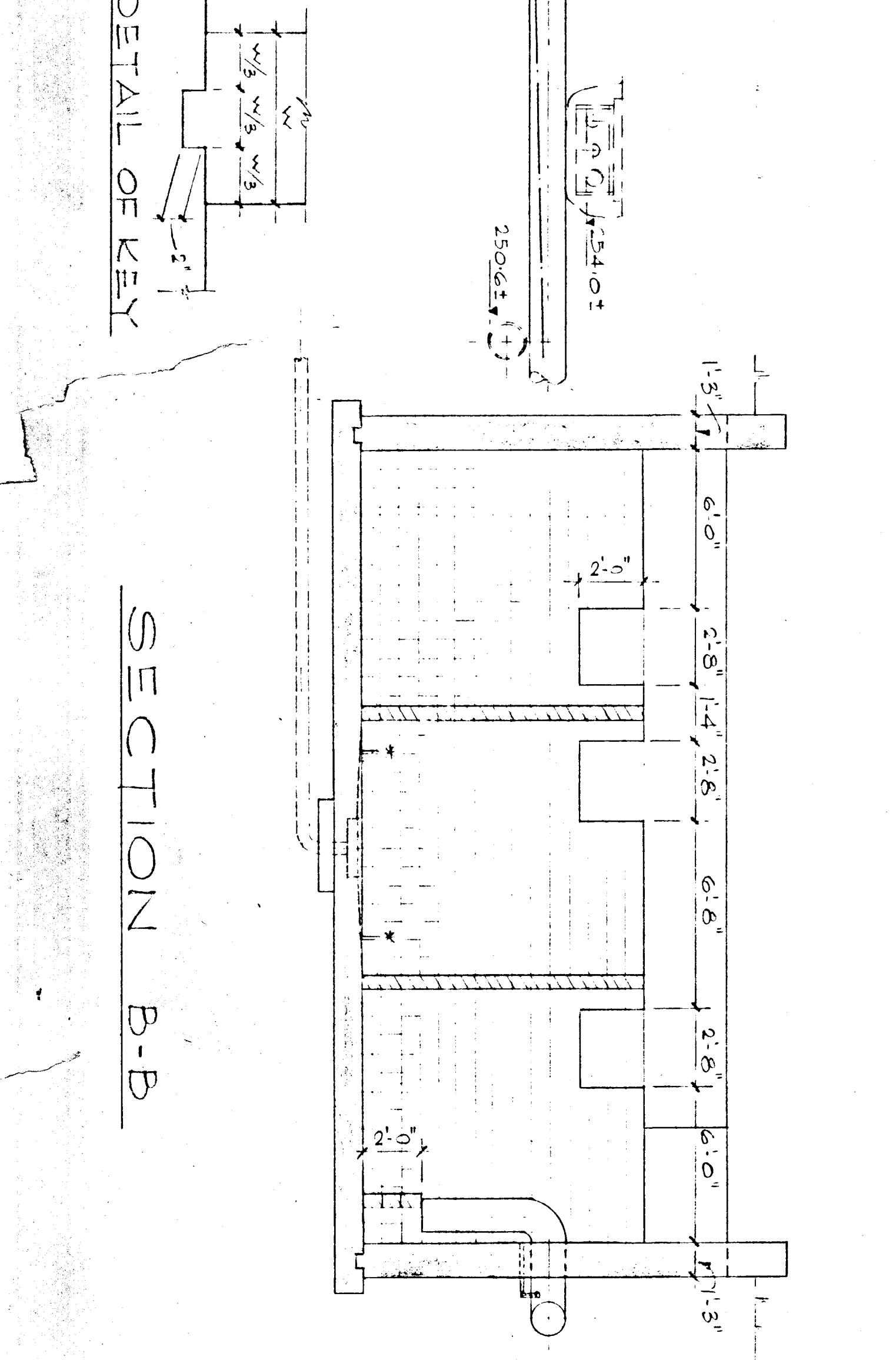
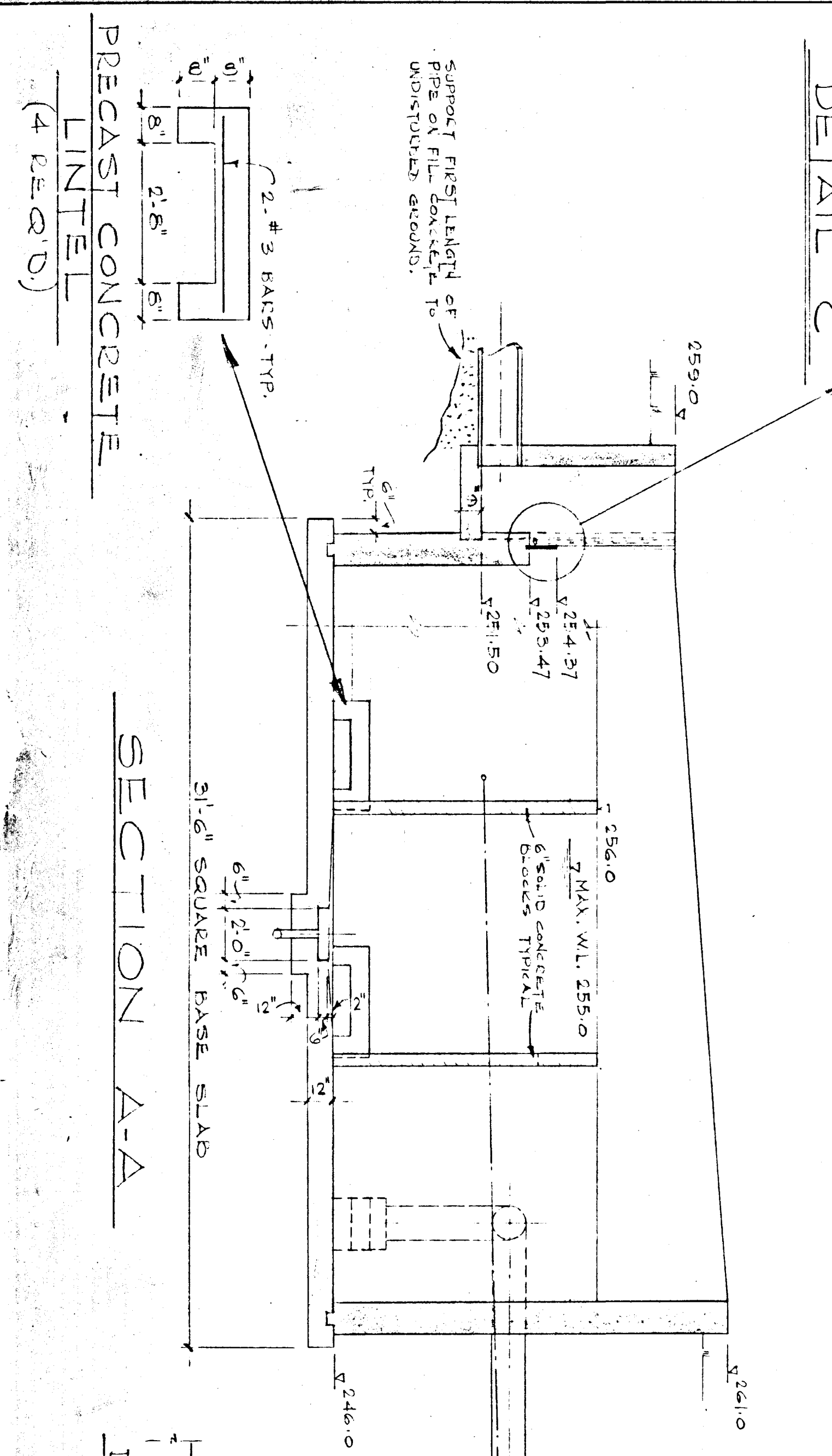
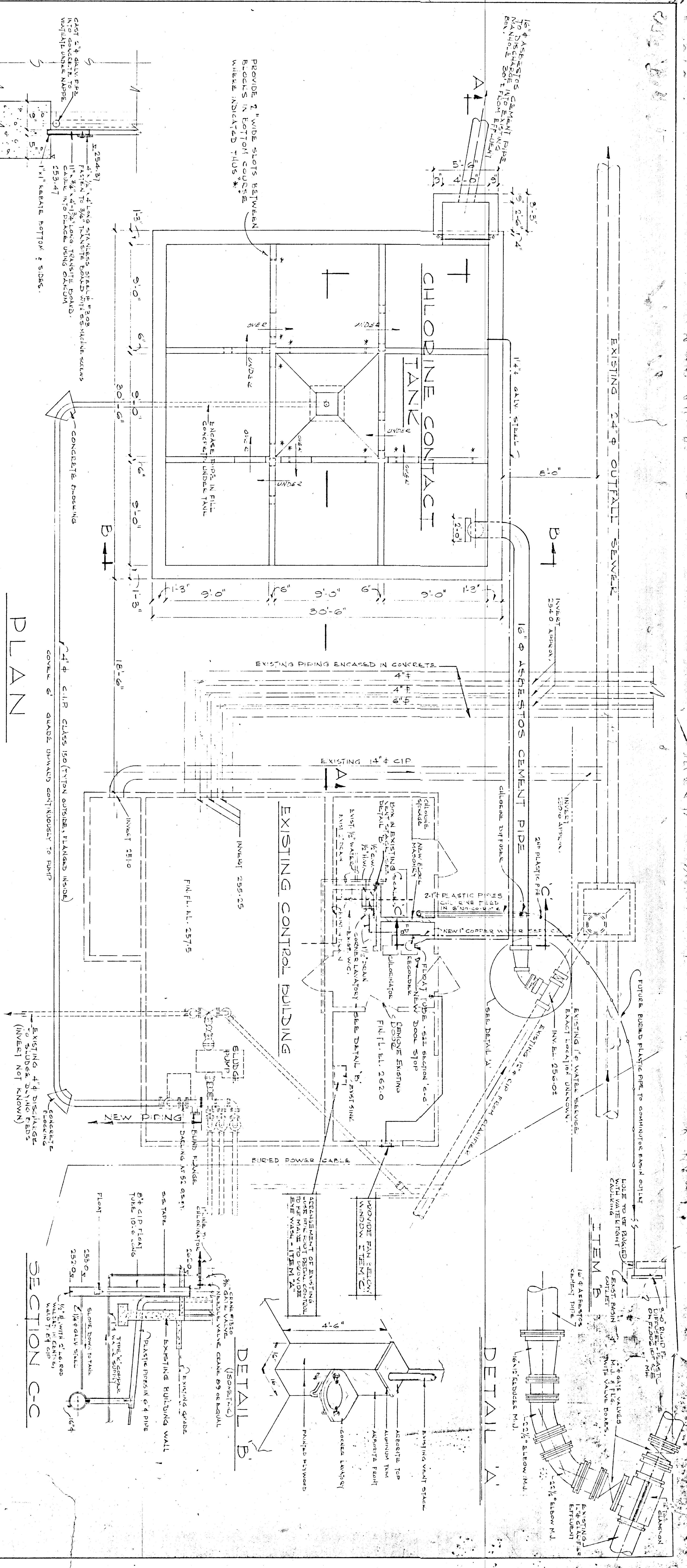
- NOTES**
1. ALL CONCRETE TO TEST 3000 PSI 7 DAYS
 2. PAINT OLD CONCRETE SURFACES WITH 1 PART CEMENT AND WATER MIX BEFORE APPLYING
 3. REIN ALL EXPOSED CONCRETE WITH CEMENT UNIFORM STABILIZER
 4. ALL CONSTRUCTION JOINTS TO BE APPROVED BY THE ENGINEER



GREATER NAPANEE WATER SUPPLY & POLLUTION CONTROL BOARD 75 EAST STREET, NAPANEE, ONTARIO N7R 1S3 (613) 354-9238 FAX (613) 354-9236			
PROJECT COMMUNOTOR CHAMBER WATER POLLUTION CONTROL PLANT			
APPROVED BY	SPECIFICATIONS		
DESIGNED BY	DATE	SCALE	
DRAWN BY	DWG NO	JOB NO	
		FILE	
		TRCD	

TOWN OF NAPANEE SEWAGE TREATMENT PLANT COMMUNOTOR CHAMBER			
JD LEE & COMPANY LTD CONSULTING ENGINEERS - KINGSTON ONTARIO			
DESIGN	SCALE	JOB NO	
DWN	DATE	FILE	
TRCD			

REVISED 22-5-55 JLS



WPCCP
024

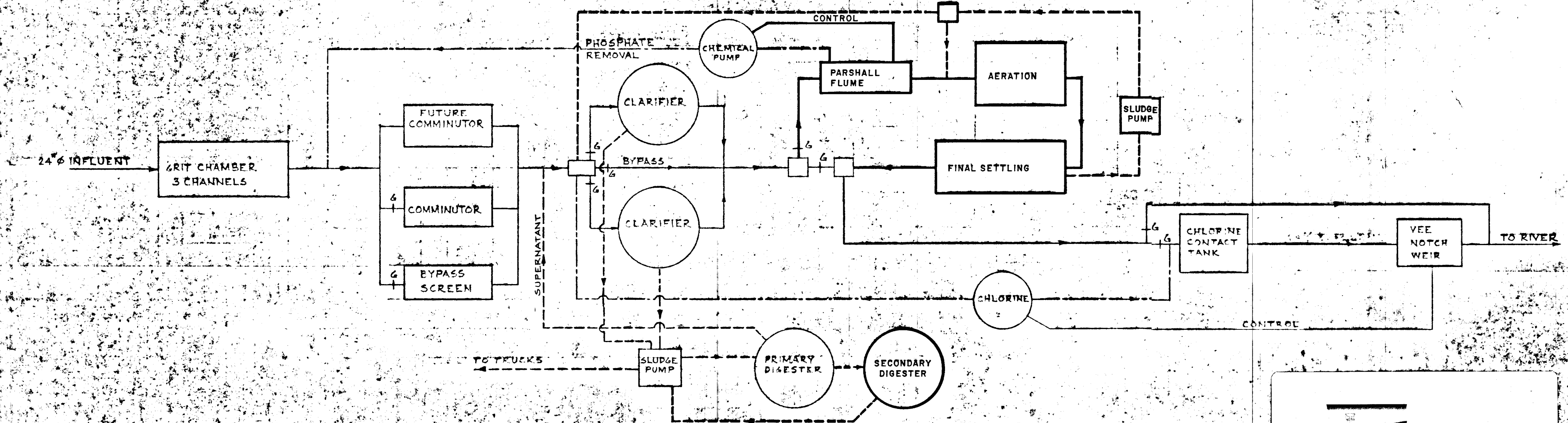
NOTED

NOTE:
1. WATER VOLUME BELOW ELEV. 295' ± @ 500 C.F.
2. ITEMS A, B & C ADDED AS ADDENDUM #1
3. PAN IS EMERGENCY KEYWAY 6\"/>

NADANEE ONTARIO
SEWAGE TREATMENT PLANT
CHLORINE CONTACT TANK
GENERAL DETAILS

J.D. LEE & COMPANY LTD.
CONSULTING ENGINEERS - KINGSTON, PARIS, ONTARIO

DATE	REVISION	BY	CHK	QTY
11/10/51	1	CAE	JUL	1
11/10/51	2	CAE	JUL	1



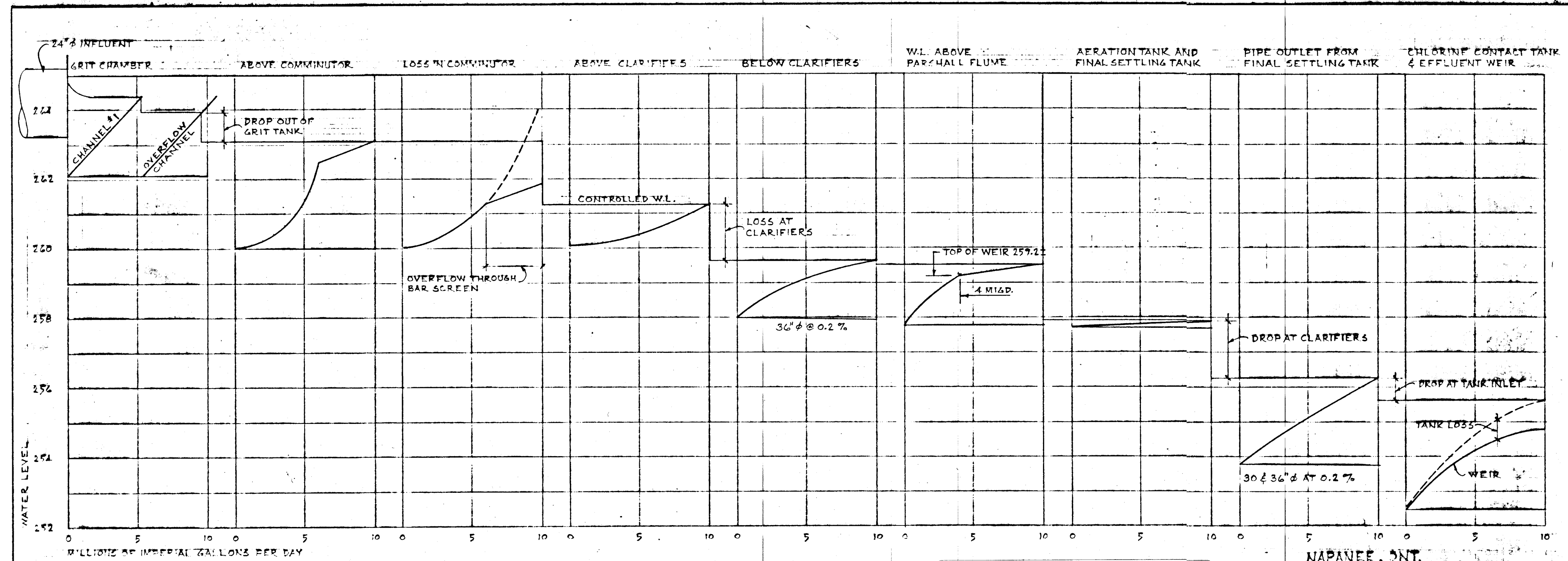
FLOW DIAGRAM

STAGE II

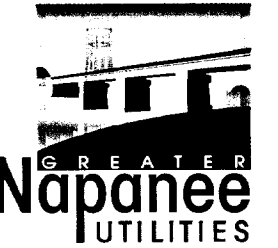
WPCP
025

NAPANEE, ONT.
WATER POLLUTION CONTROL PLANT

J. D. LEE ENGINEERING LIMITED
1155 DIVISION STREET
P.O. BOX 1267
KINGSTON, ONTARIO
K7L 4Y8
DWG. NO. 8718-T, FILE 955, NOV. 4/75, TLK



HYDRAULIC GRADE LINE


WPCP
026

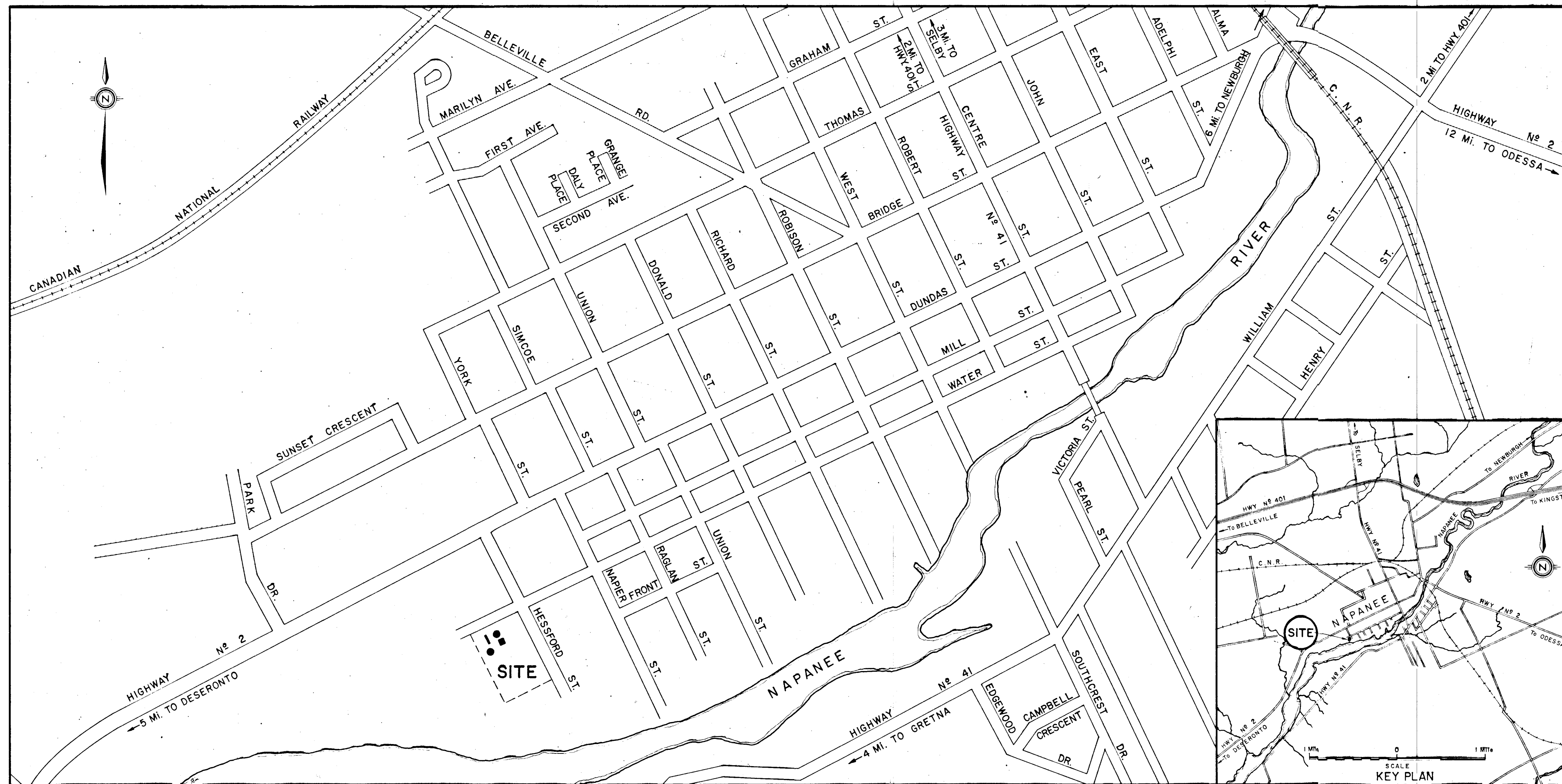
NAPANEE, ONT.
WATER POLLUTION CONTROL PLANT
J. D. LEE ENGINEERING LIMITED
 1155 DIVISION STREET
 P.O. BOX 1267
 KINGSTON, ONTARIO
 K7L 4Y8
 DWZ. N^o 871B-2, FILE 955, NOV. 10/75, TLR

TOWN OF NAPANEE

FOR

NAPANEE AREA WATER SUPPLY & POLLUTION CONTROL BOARD

WATER POLLUTION CONTROL PLANT



KEY PLAN
SCALE 1"=400'

- DRAWING LIST**
- General
 - A1 Flow Sheet
 - A2 Site Work, Layout And Grading

 - Concrete & Architectural
 - C1 Grit Tank
 - C2 Clarifier No. 2
 - C3 Chlorine Contact Tank
 - C4 Control Building - Architectural
 - C5 Architectural Details

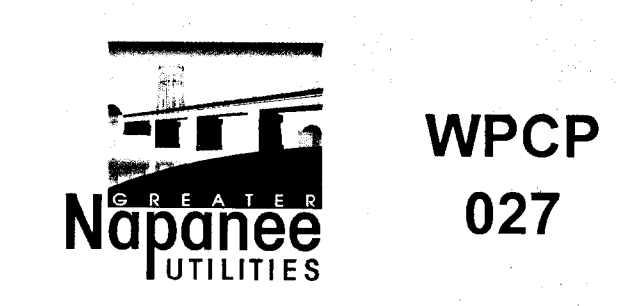
 - Miscellaneous Details
 - D1 Miscellaneous Metals
 - D2 Miscellaneous Metals

 - Electrical
 - E1 Electrical

 - Mechanical
 - M1 Existing Control Building
 - M2 Plumbing and Ventilating

 - Structural Reinforcing
 - S1 Grit Tank Reinforcing
 - S2 Clarifier No. 2 Reinforcing
 - S3 Reinforcing Steel Schedule
 - S4 Reinforcing Steel Schedule

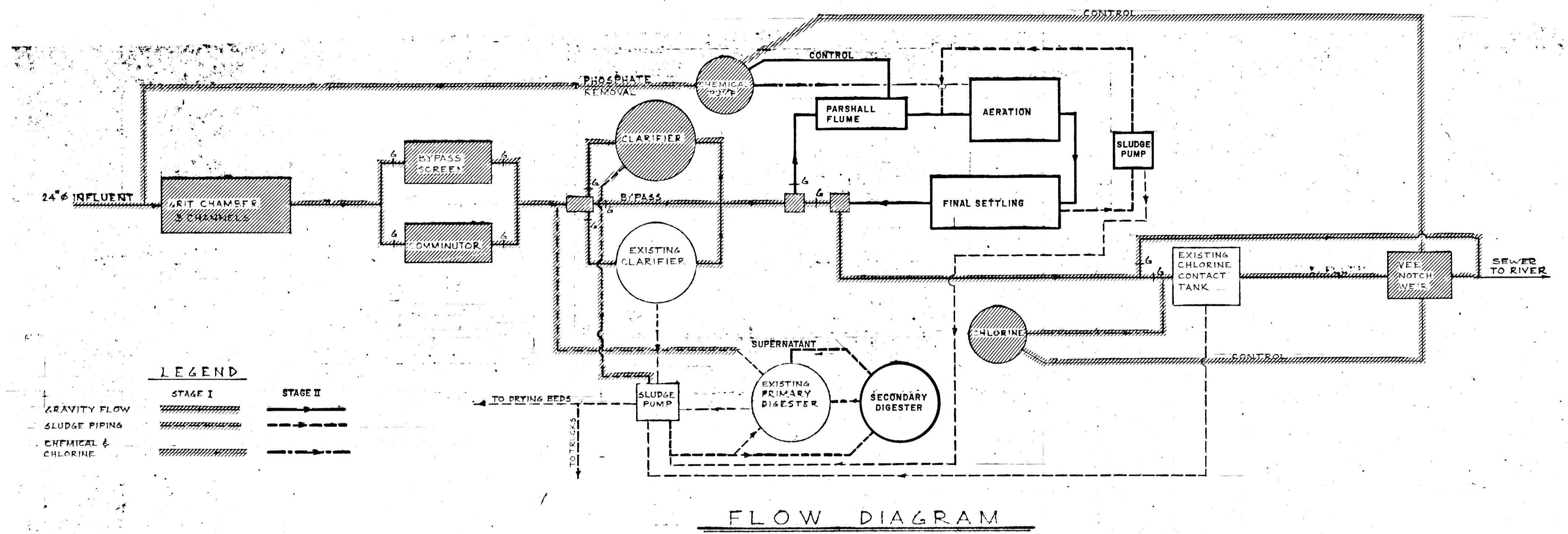
 - Underground Services
 - U1 Underground Piping
 - U2 Profiles
 - U3 Diversion Chamber & Manholes



J. D. LEE ENGINEERING LIMITED
CONSULTING ENGINEERS

JOB N° 955
JUNE 1976

GREATER NAPANEE WATER SUPPLY & POLLUTION CONTROL BOARD			
<small>75 EAST STREET, NAPANEE, ONTARIO K7R 1S1</small>		<small>(613) 354-2338 FAX (613) 354-2838</small>	
PROJECT <u>955</u> <u>SITE PLAN</u>			
<u>WATER POLLUTION CONTROL PLANT</u>			
APPROVED BY _____		SPECIFICATIONS _____	
DESIGNED BY _____	DATE <u>JUNE 1976</u>	SCALE <u>AS SHOWN</u>	
DRAWN BY _____		DWG NO. <u>WPCP-1776/1-SITE-N° 0/19</u>	



LEGEND

GRAVITY FLOW ————

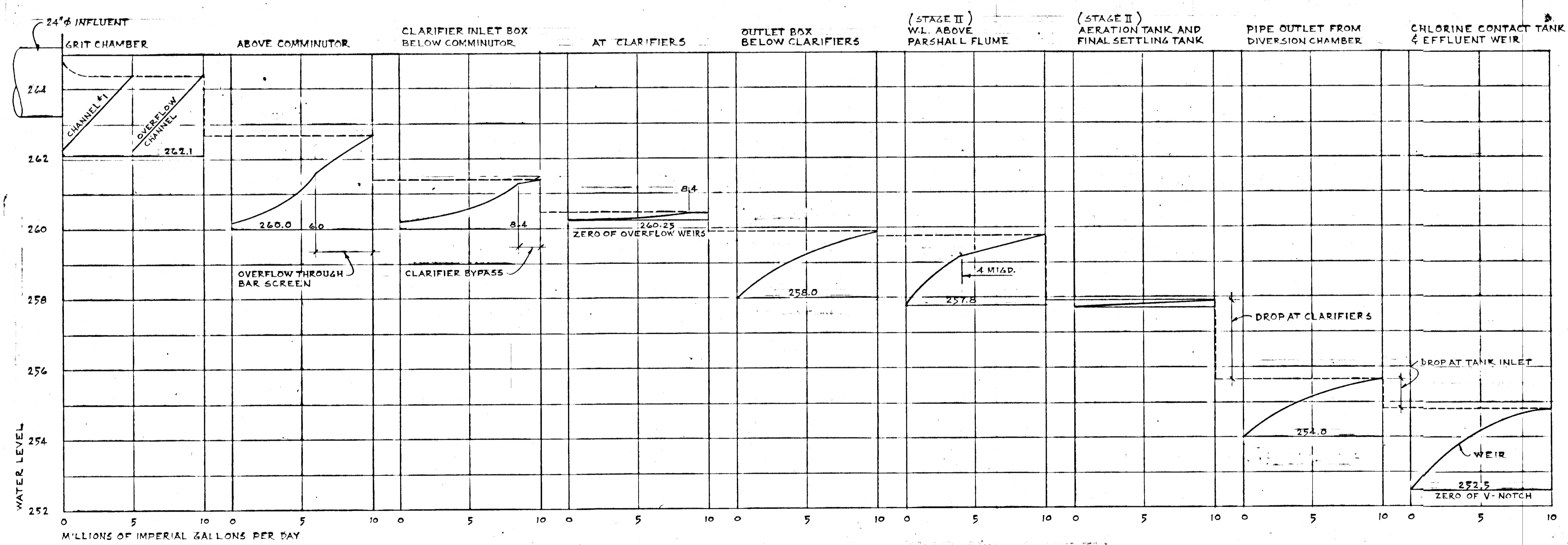
SLUDGE PIPING ————

CHEMICAL & CHLORINE ————

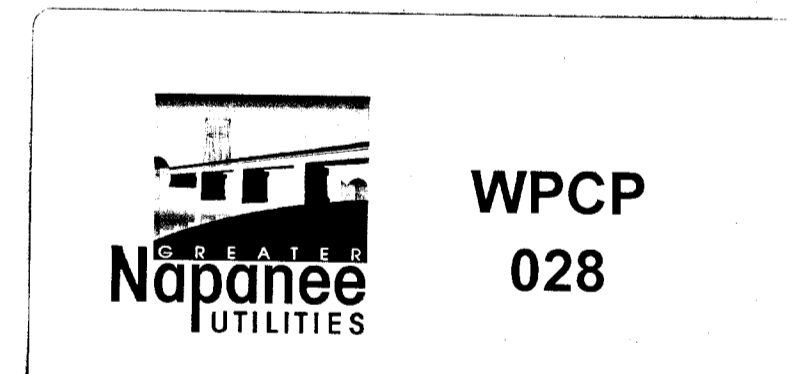
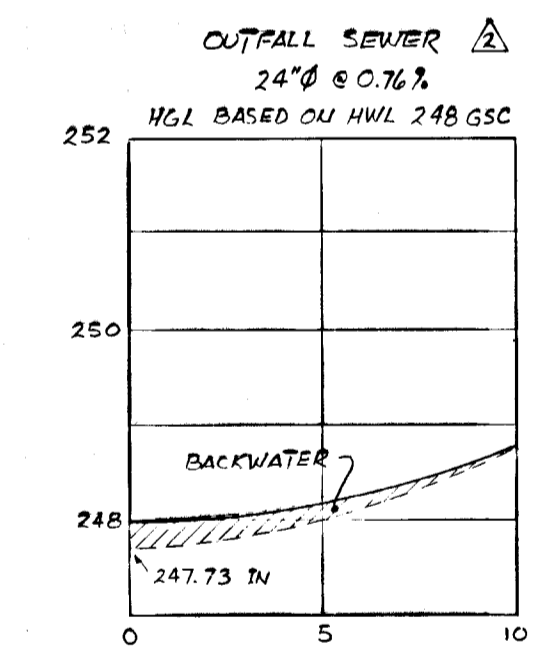
STAGE I ————

STAGE II ————

FLOW DIAGRAM



HYDRAULIC GRADE LINE
(SHOWING LINE FOR 10 M16R)



GREATER NAPANEE WATER SUPPLY & POLLUTION CONTROL BOARD
76 EAST STREET, NAPANEE, ONTARIO K7R 1S3 (613) 354-2338 FAX (613) 354-2338

PROJECT 955 FLOW SHEET

WATER POLLUTION CONTROL PLANT

APPROVED BY _____ SPECIFICATIONS _____

DESIGNED BY _____ DATE JUNE 1976 SCALE AS SHOWN

DRAWN BY _____ DWG. NO. WPCP-1976/1-GEN.-No 1/19

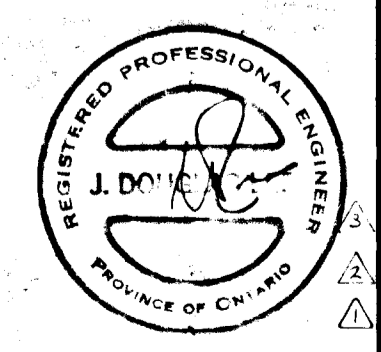
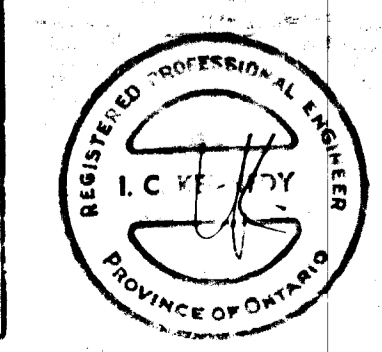
TOWN OF NAPANEE FOR			
NAPANEE AREA WATER SUPPLY & POLLUTION CONTROL BOARD			
WATER POLLUTION CONTROL PLANT			
FLOW SHEET			
J. D. LEE ENGINEERING LIMITED			
CONSULTING ENGINEERS - KINGSTON, BRANTFORD, ONT.			
SEPT/78	AS BUILT	TLK	DATE 22/06/76
JUNE 26/76	OUTFALL SEWER HGL	TLK	JOB NO. 955
SEPT 8/76	HYDRAULIC GRADE LINE	TLK	SCALE 1158 C
DATE	REVISION	CHK	SHEET A1
			REVISION 3

THIS DRAWING IS APPROVED

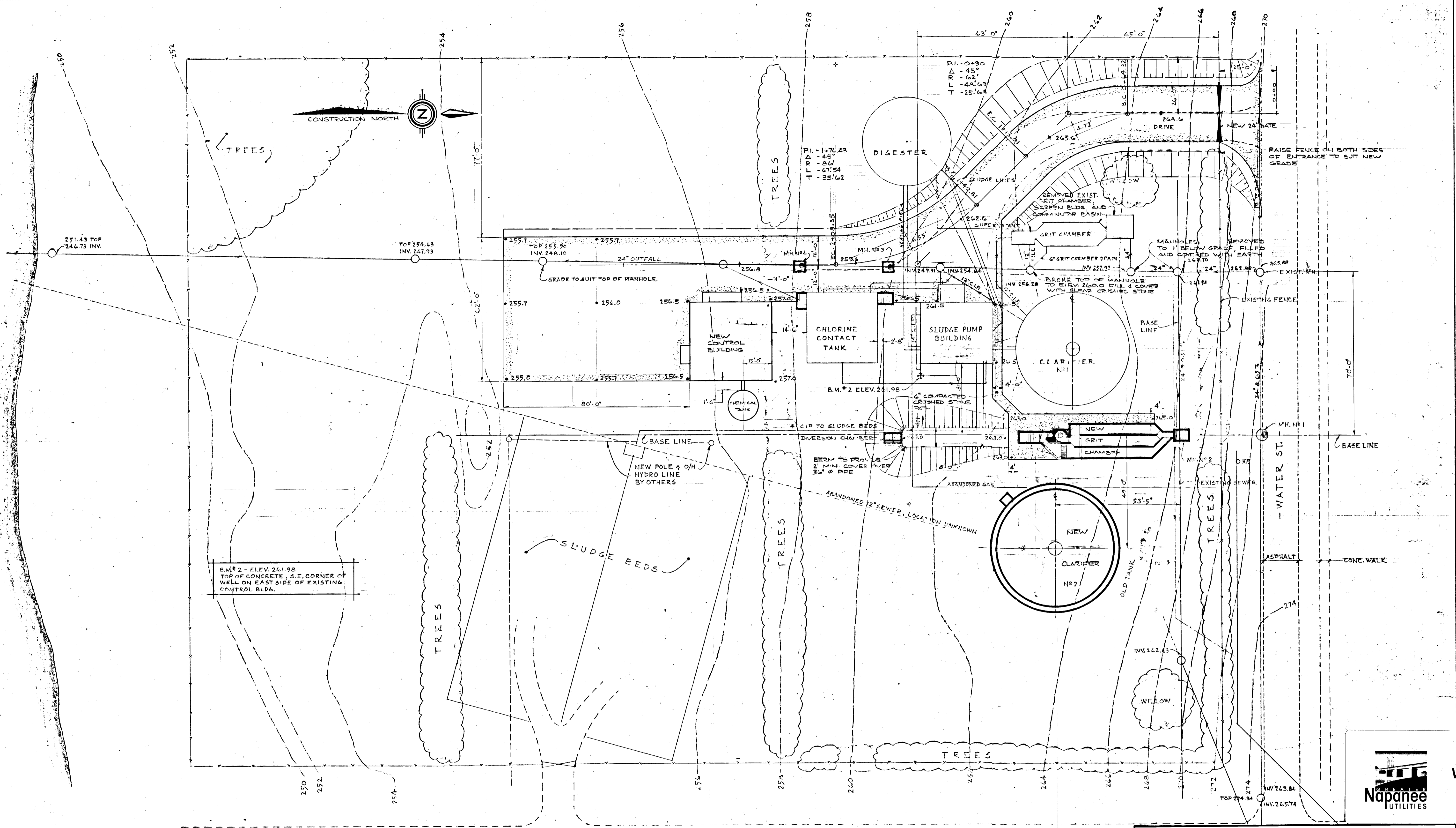
FOR CONSTRUCTION PURPOSES

Date 06/10/76 Job No 915

J. D. LEE ENGINEERING LIMITED



NAPANEE RIVER



B.M.#2 - ELEV. 261.98
TOP OF CONCRETE, S.E. CORNER OF
WELL ON EAST SIDE OF EXISTING
CONTROL BLDG.

LAYOUT:
EAST-WEST BASE LINE IS THROUGH $\frac{1}{2}$ OF MANHOLES.
NORTH-SOUTH BASE LINE IS SET FROM EXISTING MANHOLE &
CONTROL BUILDING.

- NOTES:**
- 1- +265.5 DENOTES FINISHED GRADE
 - 2- -260- DENOTES CONTOURS BEFORE CONSTRUCTION
 - 3- SEE SHEET U2 FOR ROAD CROSS-SECTION AND PROFILE
 - 4- AREAS DISTURBED IN THE COURSE OF CONSTRUCTION TO BE LANDSCAPED TO DRAIN WITH GROUND ELEVATIONS APPROXIMATING ORIGINAL CONTOURS.
 - 5- EXCAVATION FOR THE CLARIFIER AND GRIT CHAMBER MAY INVOLVE THE REMOVAL OF FOUNDATIONS OF THE OLD SEWAGE PLANT.

THIS DRAWING IS APPROVED
FOR CONSTRUCTION PURPOSES
By *[Signature]* Date *Oct 16/76* No. *955*
J. D. LEE ENGINEERING LIMITED

GREATER NAPANEE WATER SUPPLY & POLLUTION CONTROL BOARD
75 EAST STREET, NAPANEE, ONTARIO K7R 1S3 (813) 354-9338 FAX (813) 354-2838

PROJECT *955 SITE WORK, LAYOUT & GRADING*

WATER POLLUTION CONTROL PLANT

APPROVED BY _____ SPECIFICATIONS _____

DESIGNED BY _____ DATE *JUNE 1976* SCALE *AS SHOWN*

DRAWN BY _____ DWG. NO. *WPCP-1976/1-SITE-NO 2/17*

TOWN OF NAPANEE FOR

NAPANEE AREA WATER SUPPLY & POLLUTION CONTROL BOARD

WATER POLLUTION CONTROL PLANT

SITE WORK, LAYOUT AND GRADING

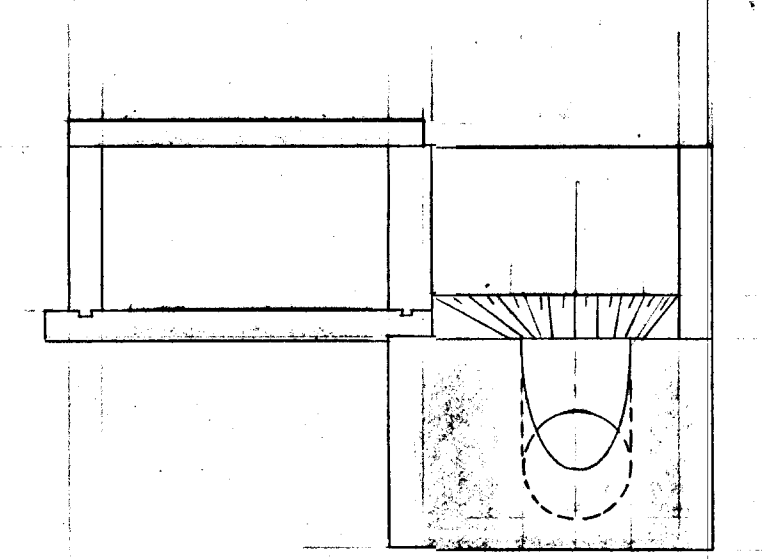
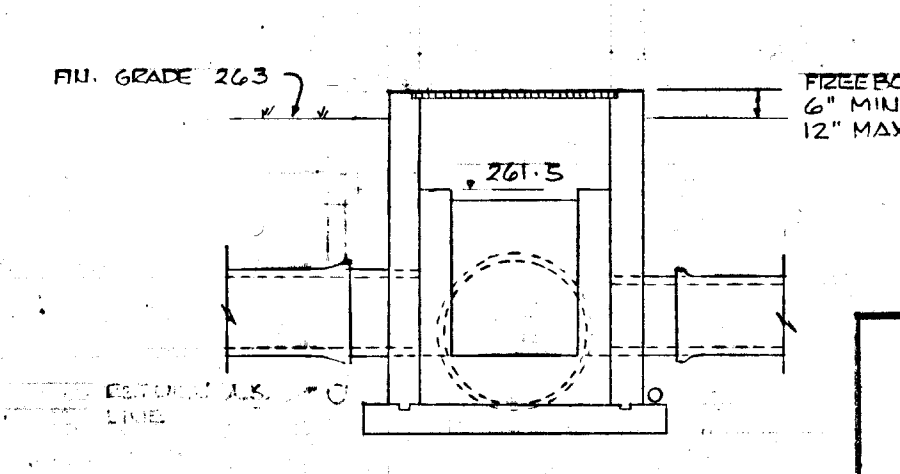
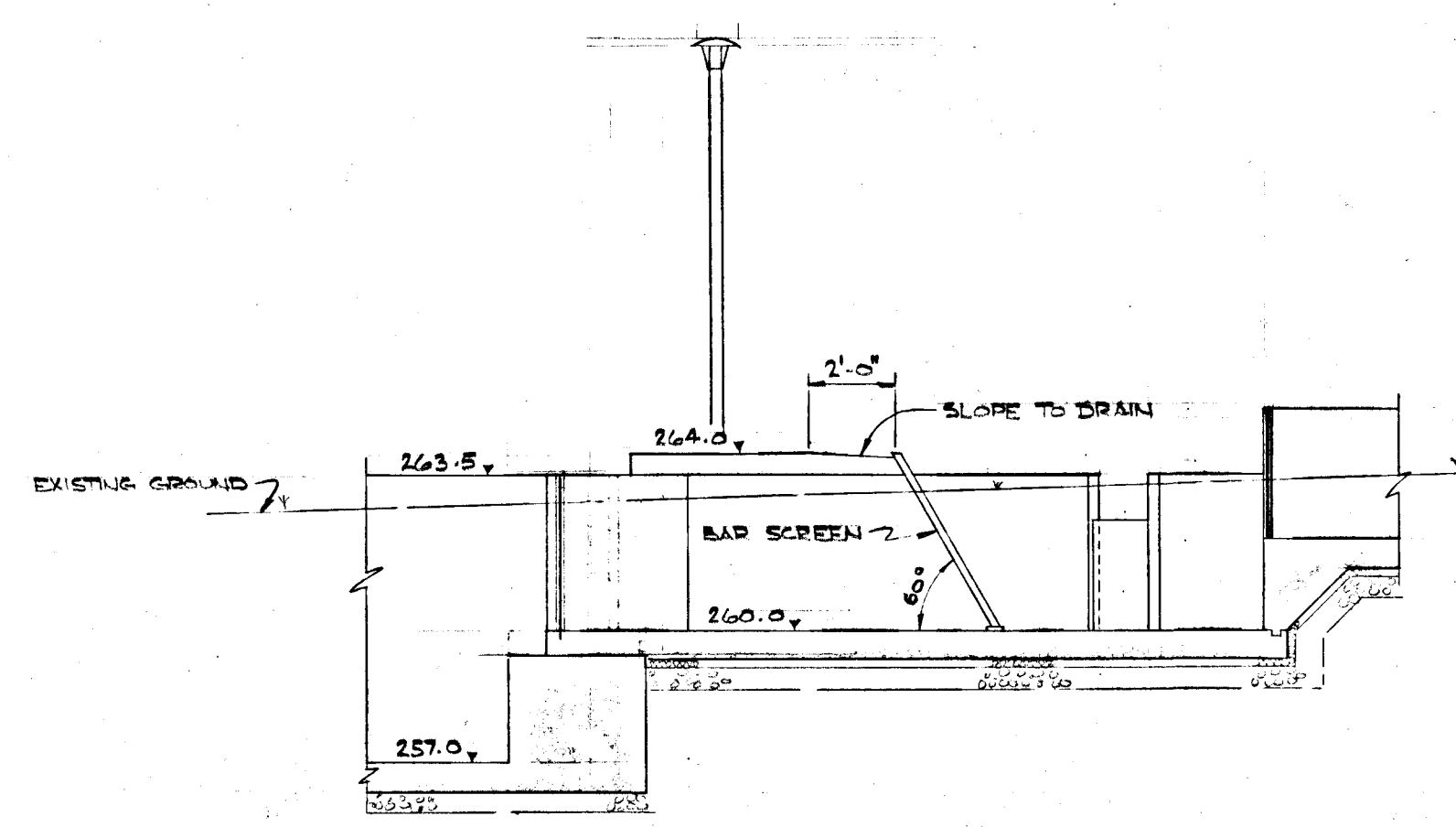
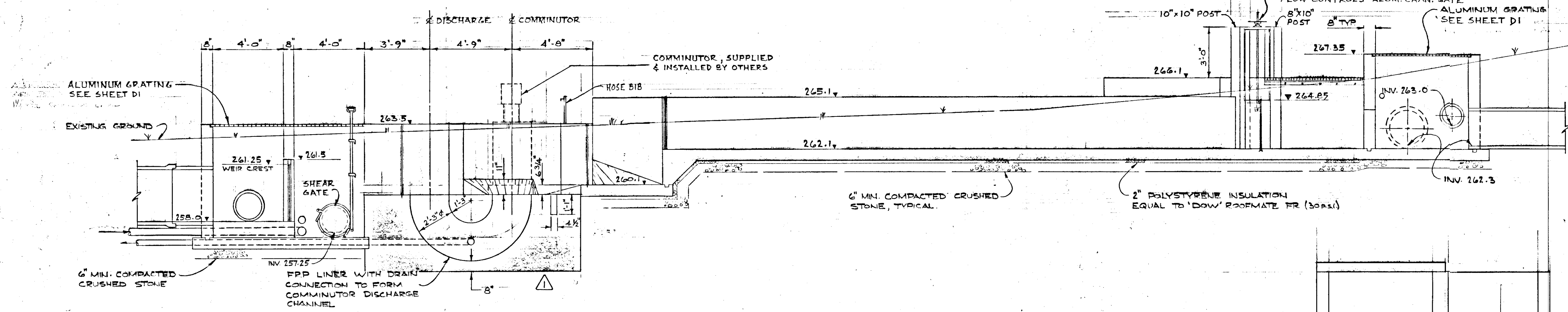
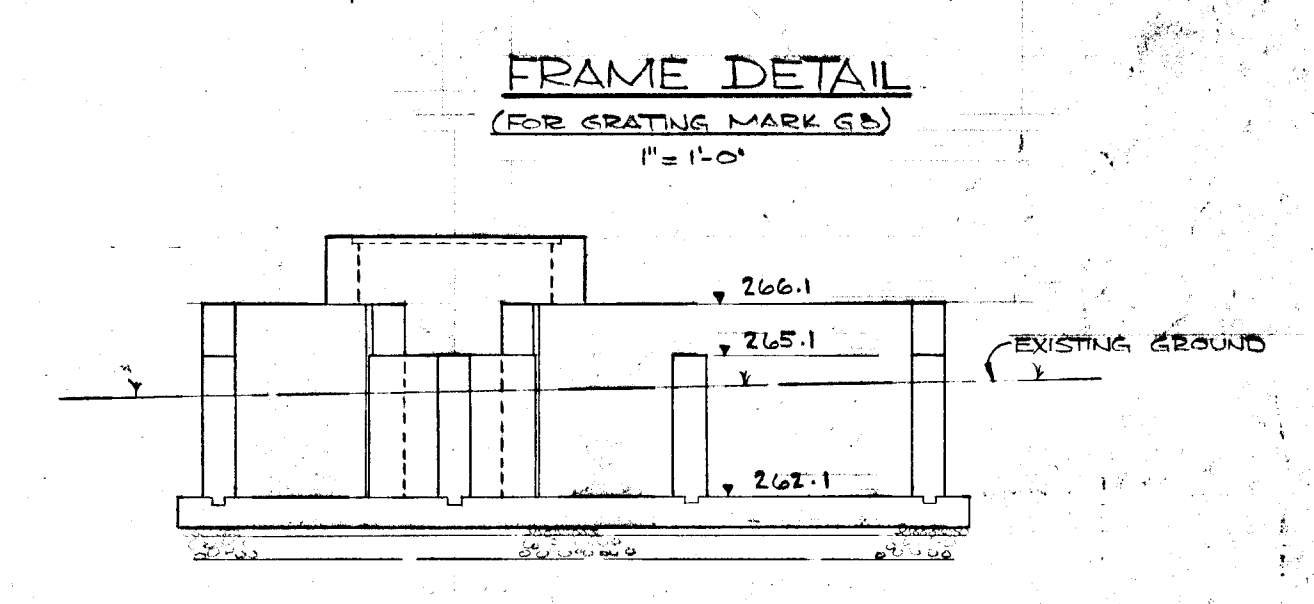
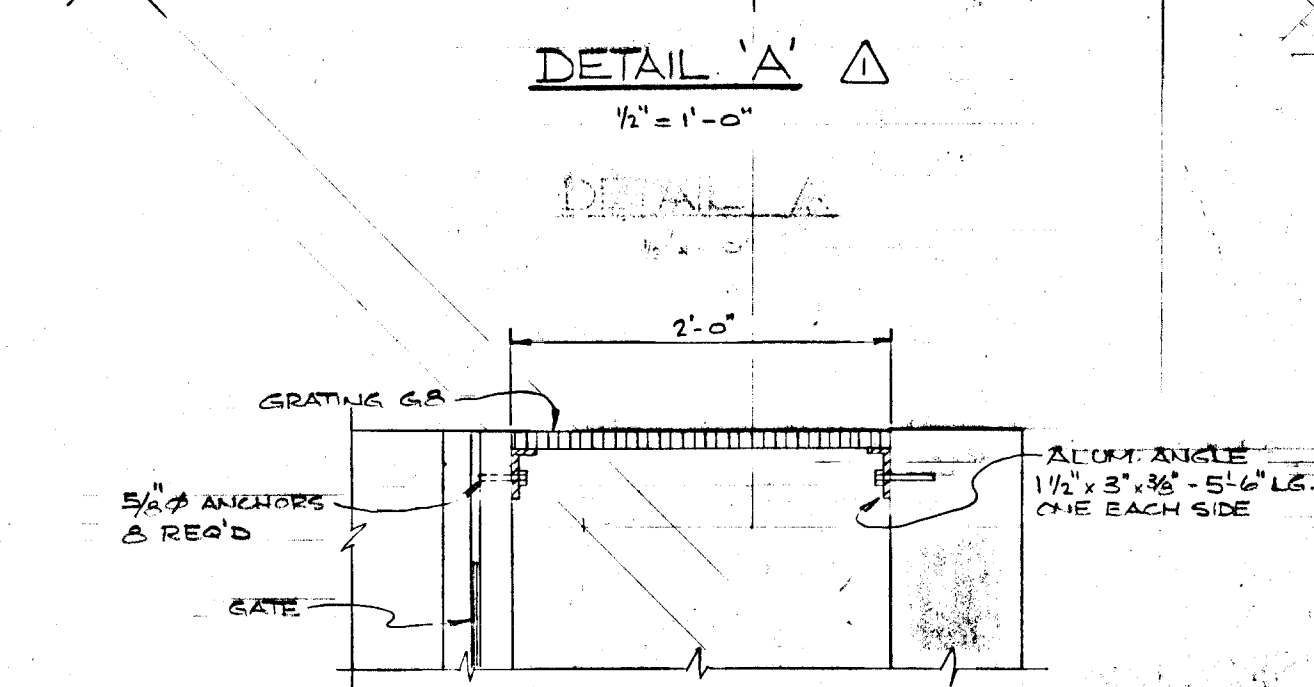
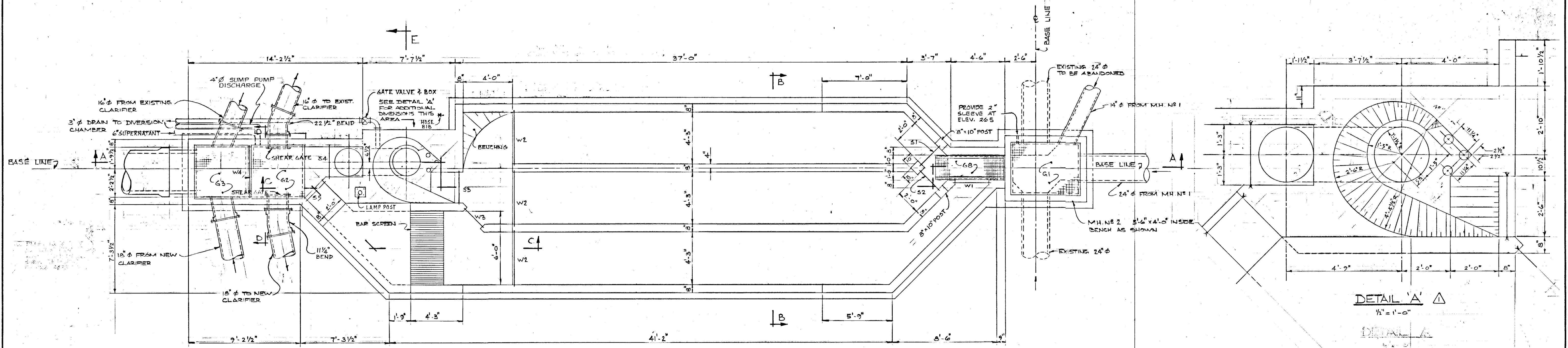
J. D. LEE ENGINEERING LIMITED
CONSULTING ENGINEERS - KINGSTON, BRANTFORD, ONT.

EPT/76	AS BUILT	FLK	DESIGN	AD	SCALE	1" = 20'	JOB NO.	955	DATE	22/06/76
DATE	REVISION	CHK	QUANT		DWG. NO.	1158C	SHEET	A2	REVISION	2



WPCP 029

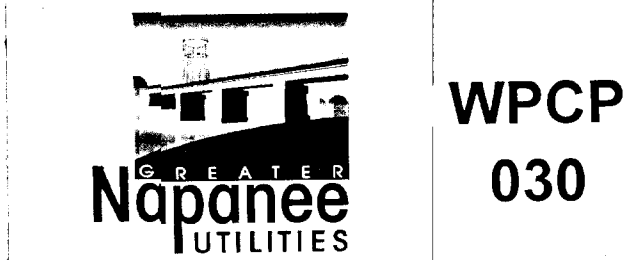
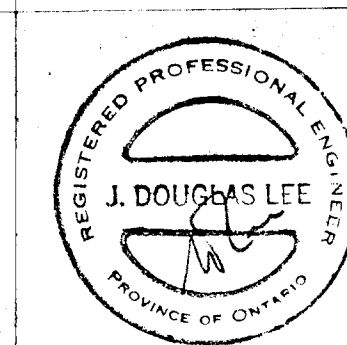
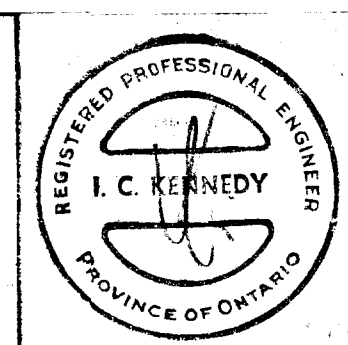
25.68
25.62
27.81
82.11
1488
11321
2781
NEW C/P
258.5
256.0
59.0
56.5
259.0
256.8

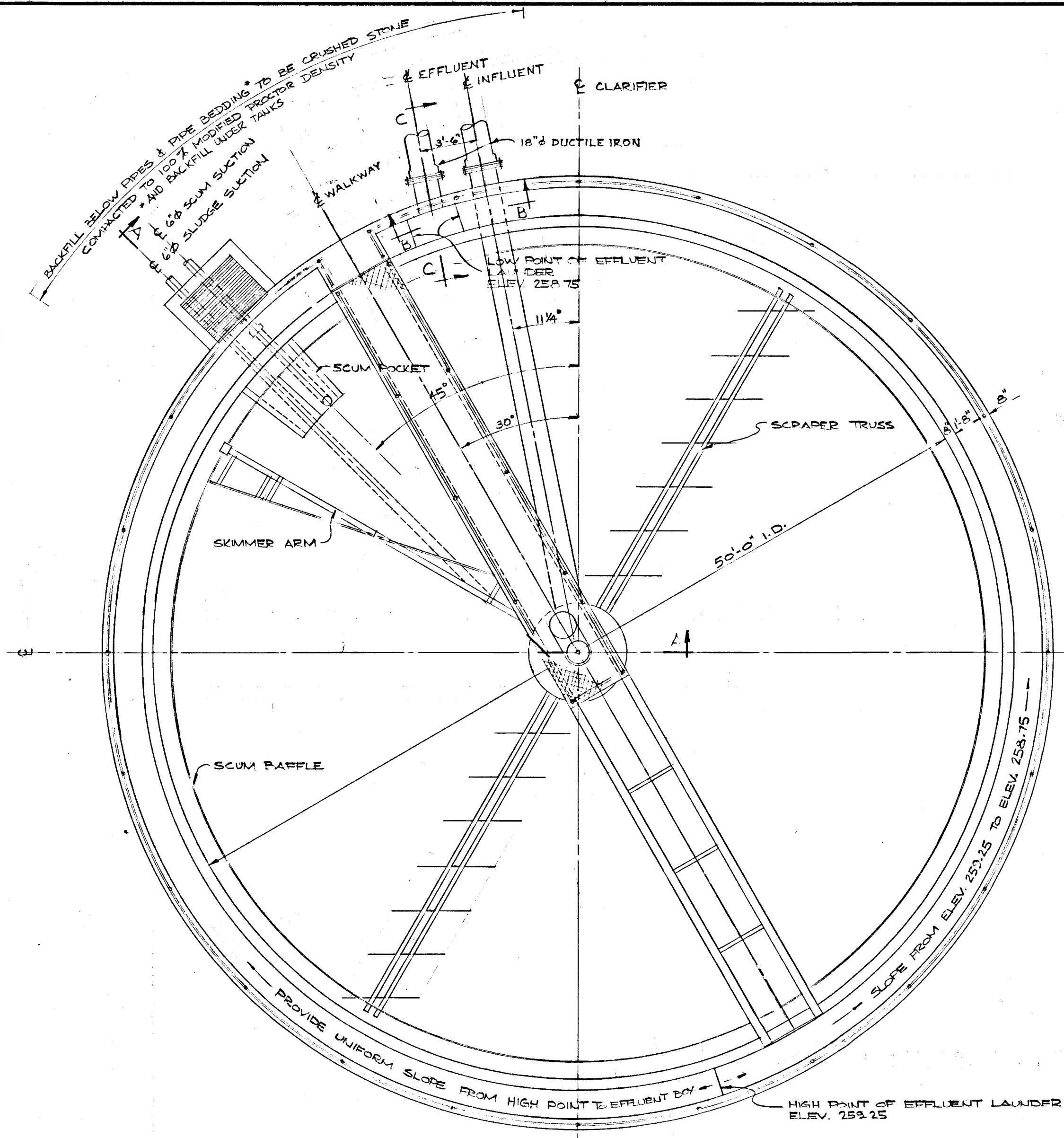


GREATER NAPANEE WATER SUPPLY & POLLUTION CONTROL BOARD 75 EAST STREET, NAPANEE, ONTARIO K7R 1S3 (813) 354-9338 FAX (813) 354-2838	
PROJECT	955 GRIT TANK
WATER POLLUTION CONTROL PLANT	
APPROVED BY	SPECIFICATIONS
DESIGNED BY	DATE <u>JUNE 1976</u> SCALE <u>AS NOTED</u>
DRAWN BY	DWG NO. <u>WPCP-1976/1-ARCH-Nº 3/19</u>

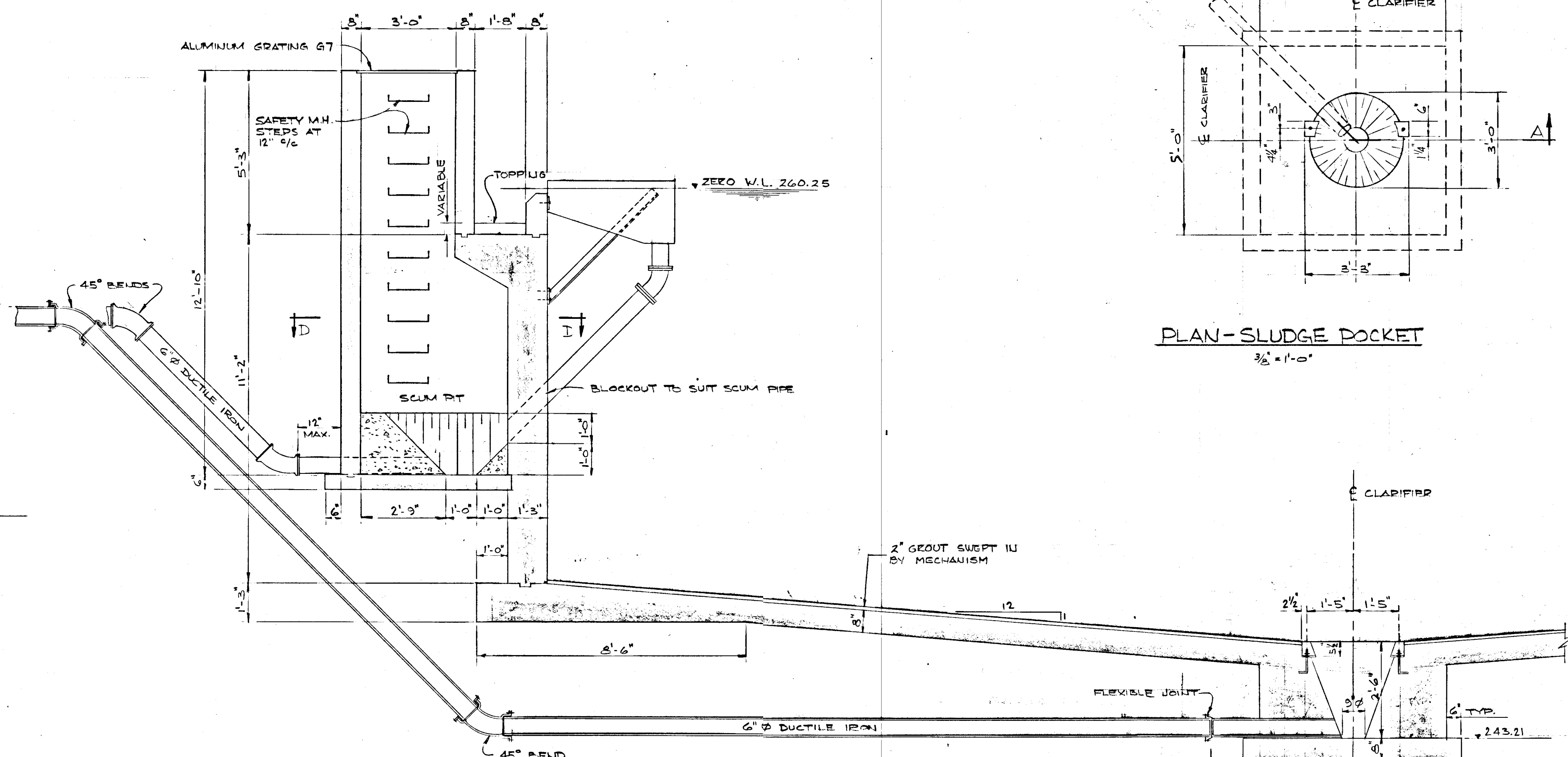
TOWN OF NAPANEE FOR											
NAPANEE AREA WATER SUPPLY & POLLUTION CONTROL BOARD											
WATER POLLUTION CONTROL PLANT											
GRIT TANK											
J. D. LEE ENGINEERING LIMITED CONSULTING ENGINEERS - KINGSTON, BRANTFORD, ONT.											
DEPT/7/	AS BUILT	TL	DESIGN	ADL	UK	SCALE	AS SHOWN	JOB NO.	955	DATE	22/06/76
SEPT/8/76	COMMUNICATOR CHANNEL	TLK	DWN	John	JL	DWG. NO.	1158 C	SHEET	CI	REVISION	2
DATE	REVISION	CHK	QUANT								

THIS DRAWING IS APPROVED
FOR CONSTRUCTION PURPOSES
By J. D. Lee Date Oct 6/76 No. 955
J. D. LEE ENGINEERING LIMITED

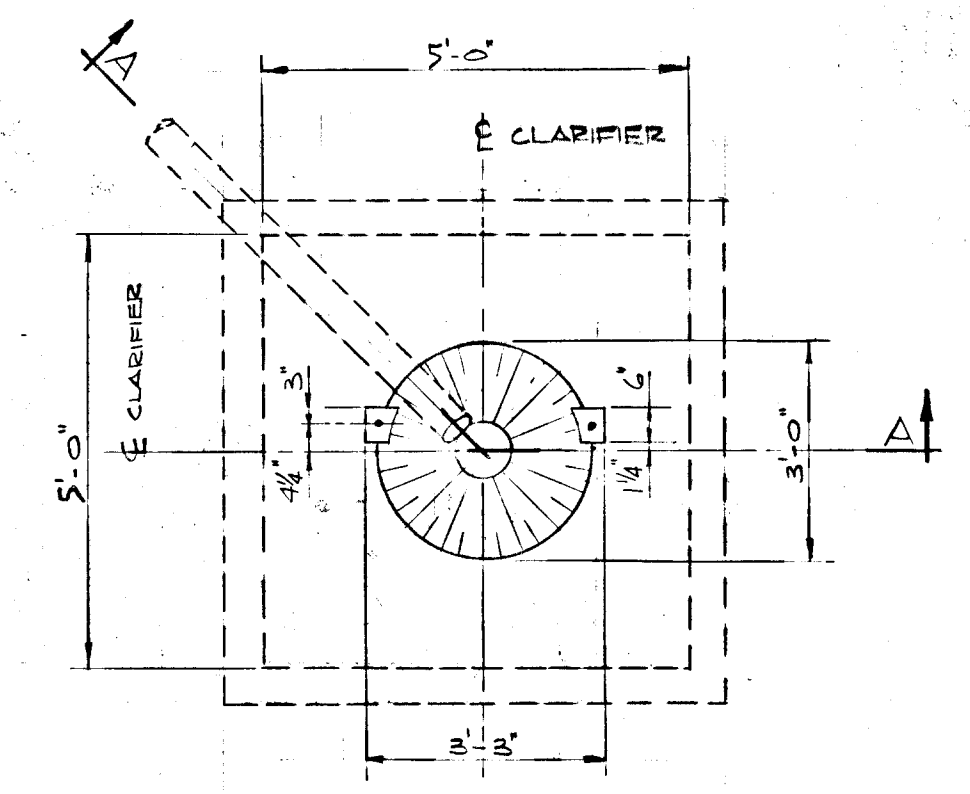




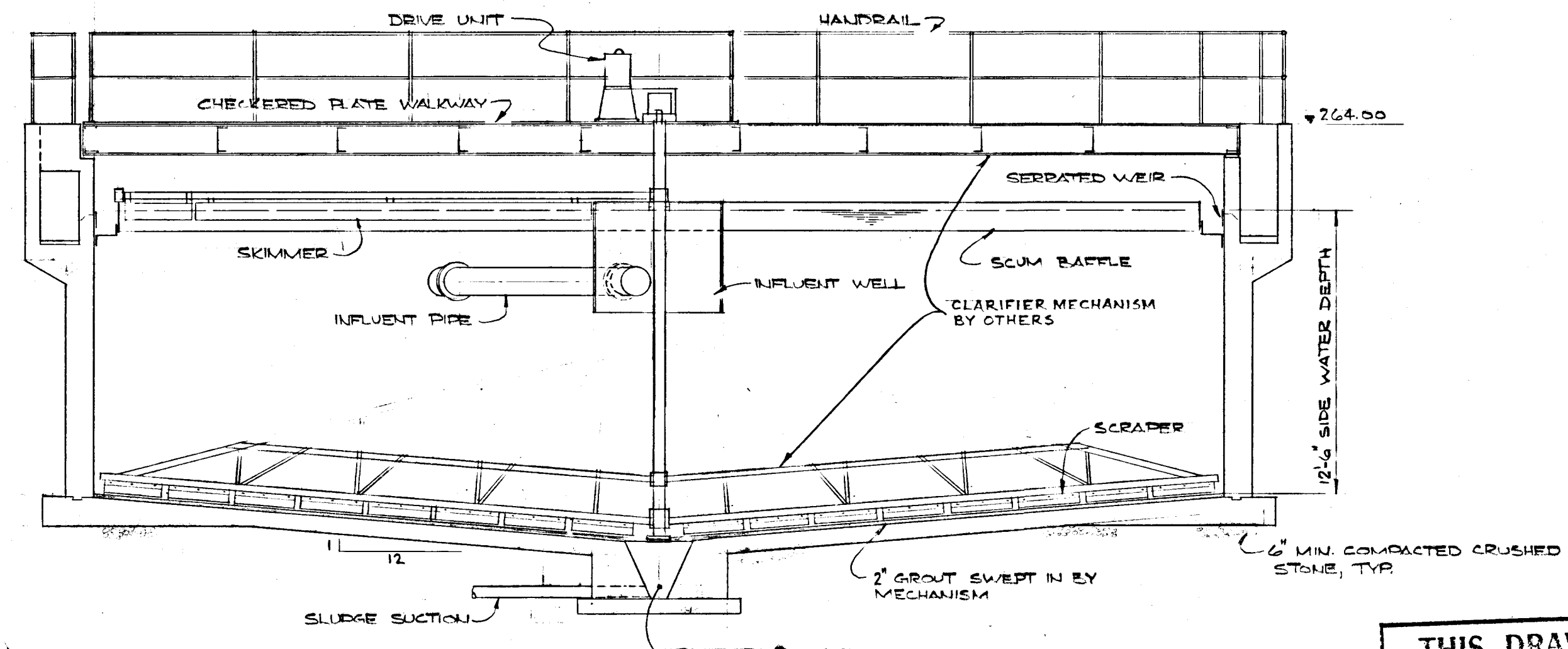
PLAN
3/8" = 1'-0"



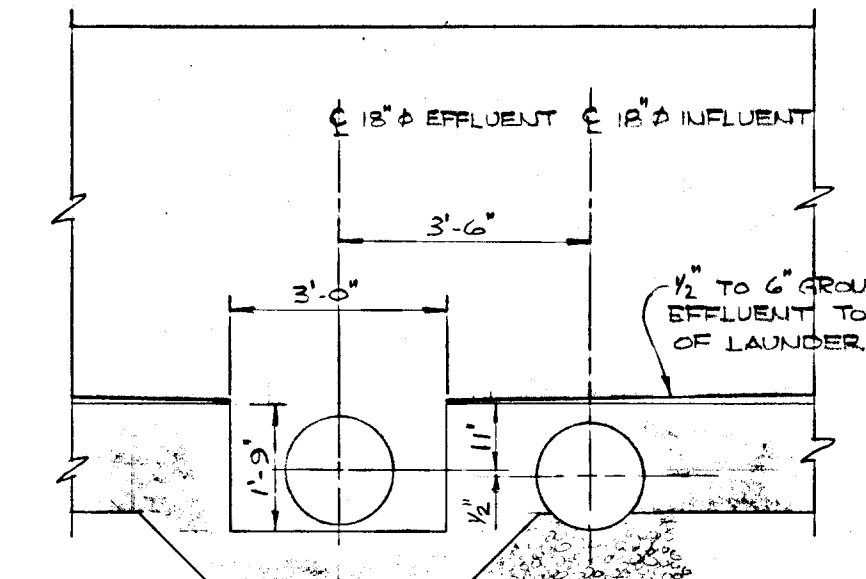
SECTION A-A
3/8" = 1'-0"



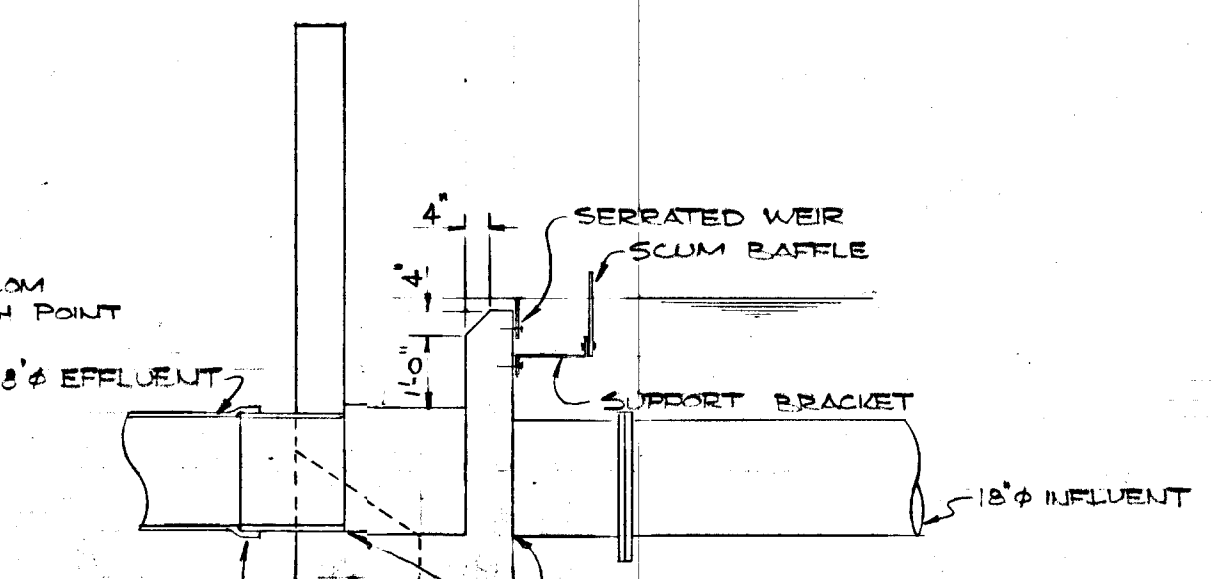
PLAN-SLUDGE DOCKET
3/8" = 1'-0"



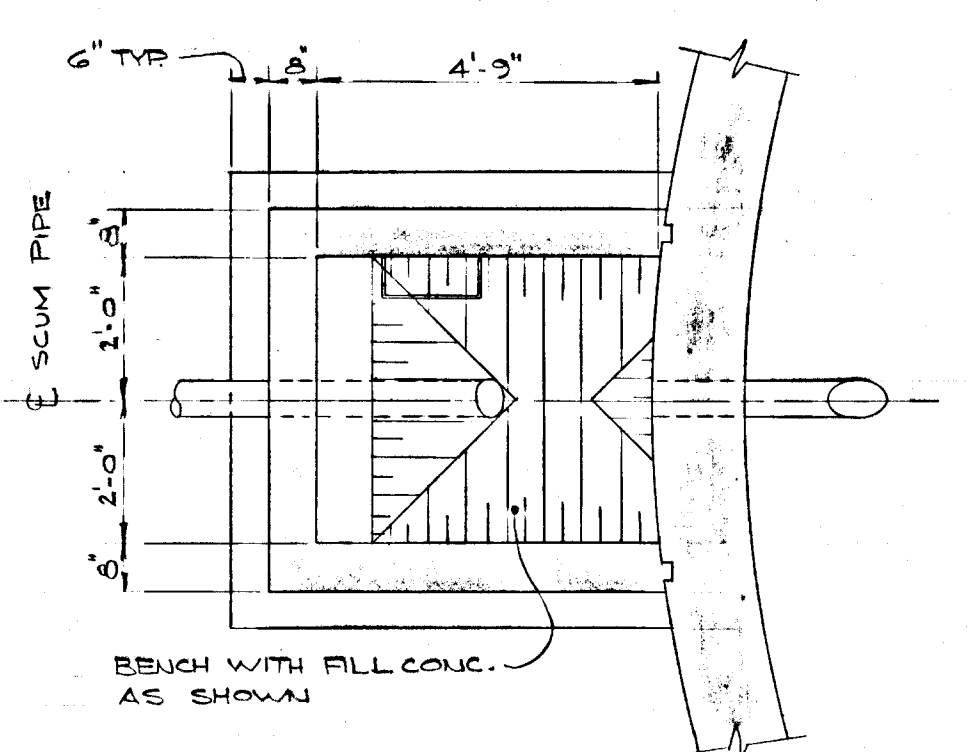
SECTIONAL VIEW
3/8" = 1'-0"



SECTION B-B
3/8" = 1'-0"



SECTION C-C
3/8" = 1'-0"



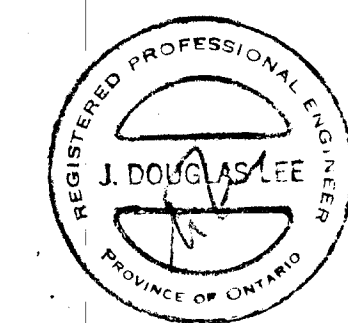
SECTION D-D
3/8" = 1'-0"

- NOTE - 1) COORDINATE WITH SHOP DRAWINGS FOR EQUIPMENT.
 2) CONCRETE TO BE CLASS 'B'
 3) SEE SPECIFICATIONS RE FINISHING & CURING
 4) BACKFILL TO BE PLACED EVENLY AROUND PERIMETER & TO BE COMPLETED BEFORE ACTIVATING TANK.
 5) PROVIDE 1" CHAMFER ON ALL EXPOSED CONC. CORNERS.

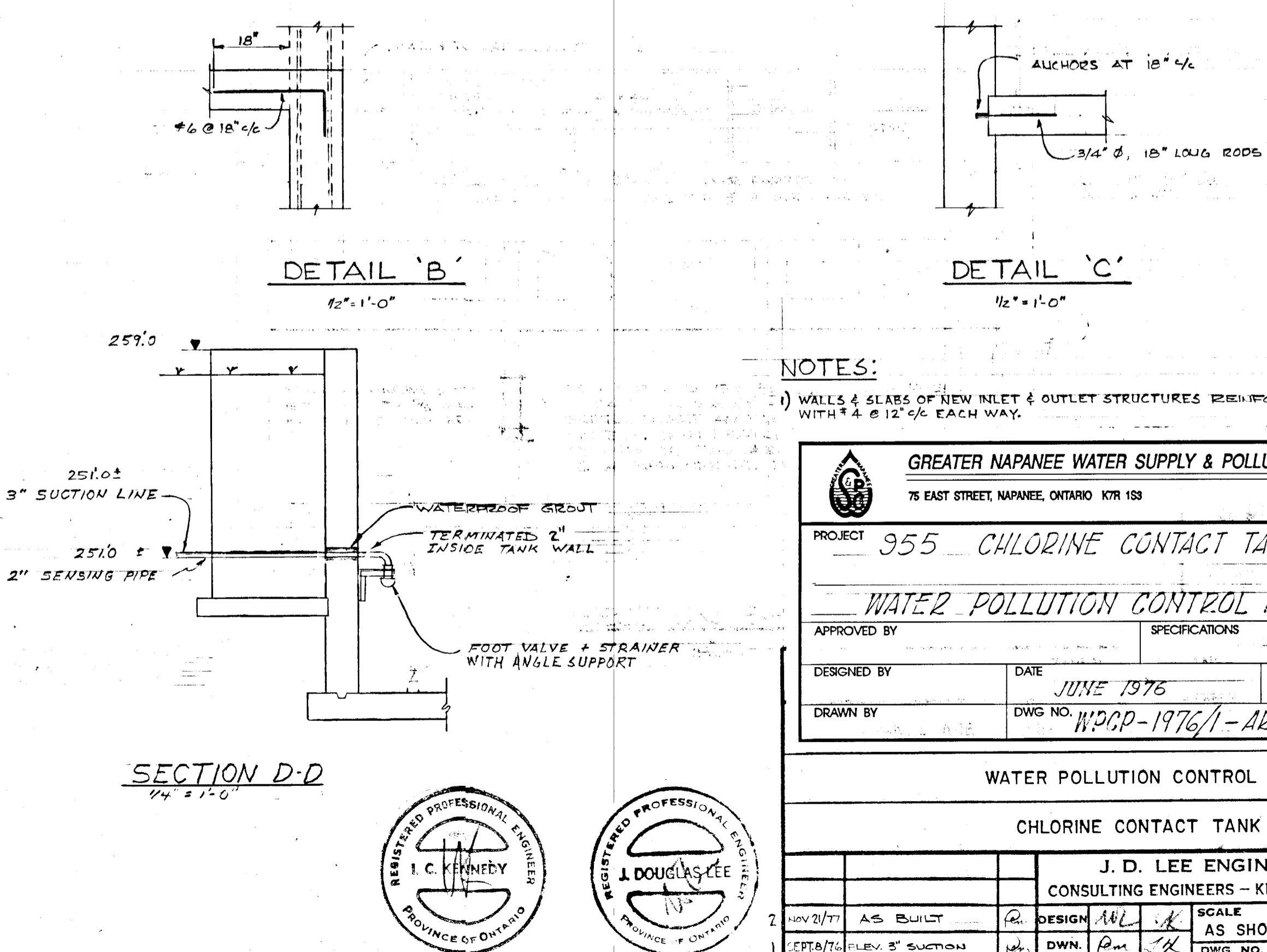
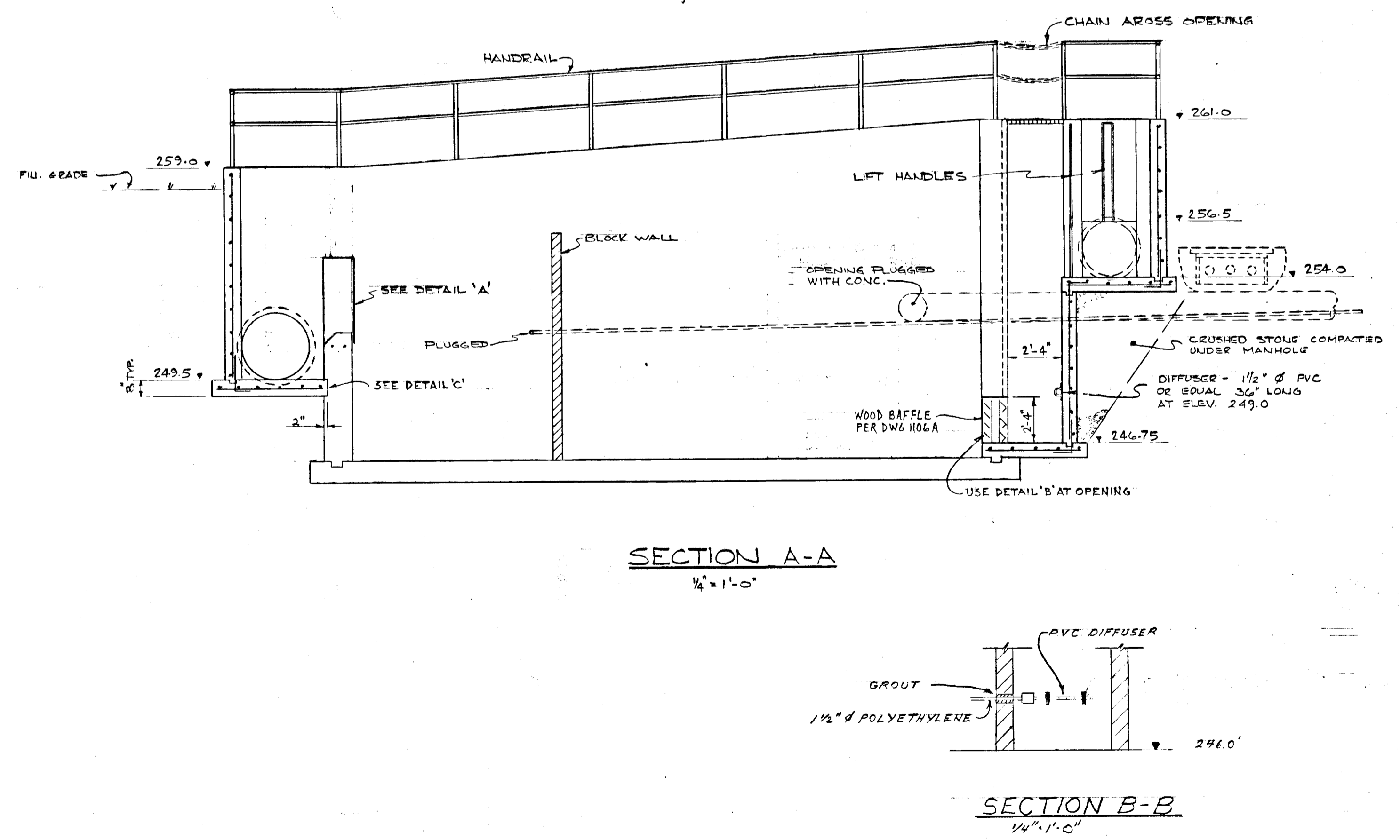
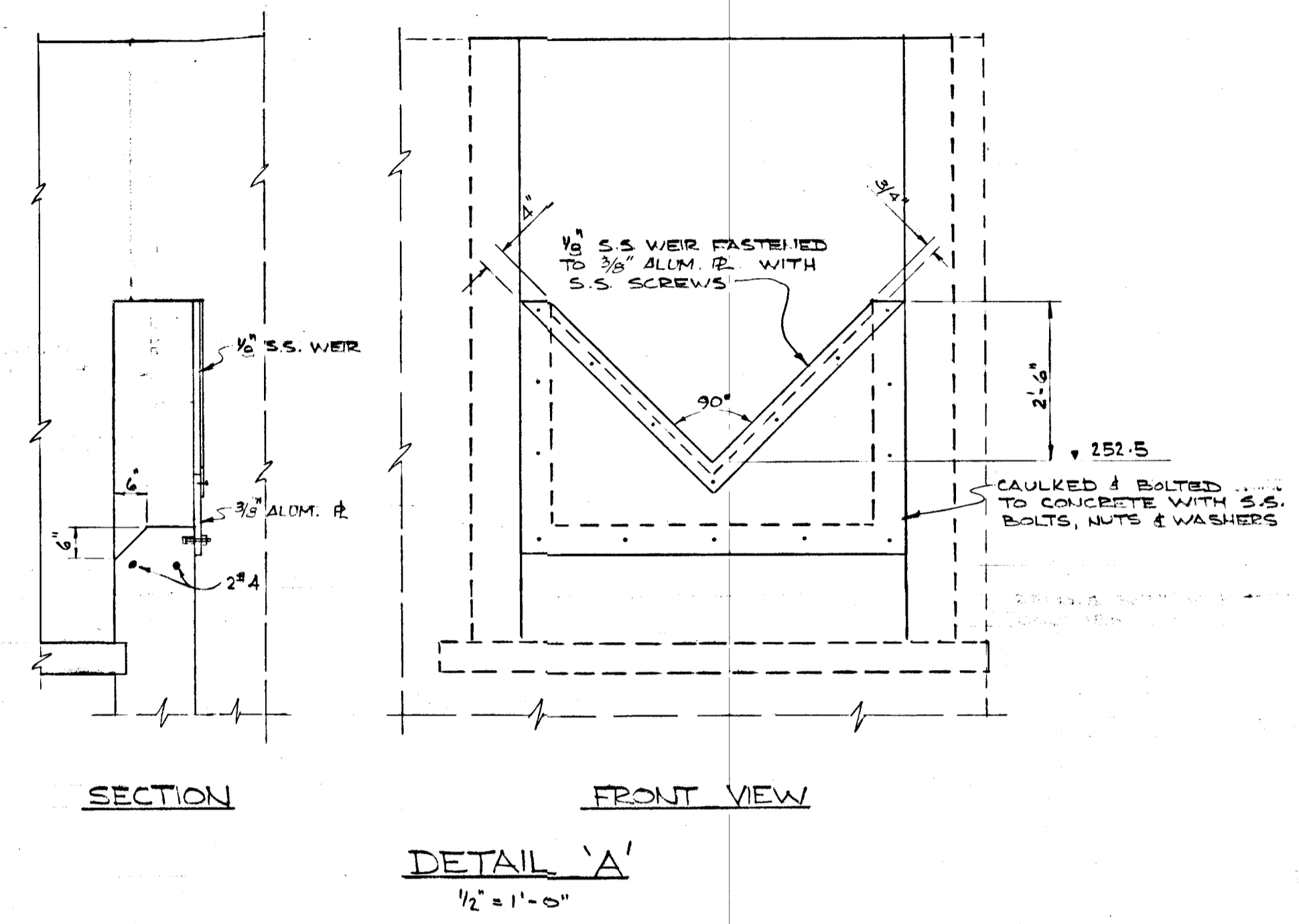
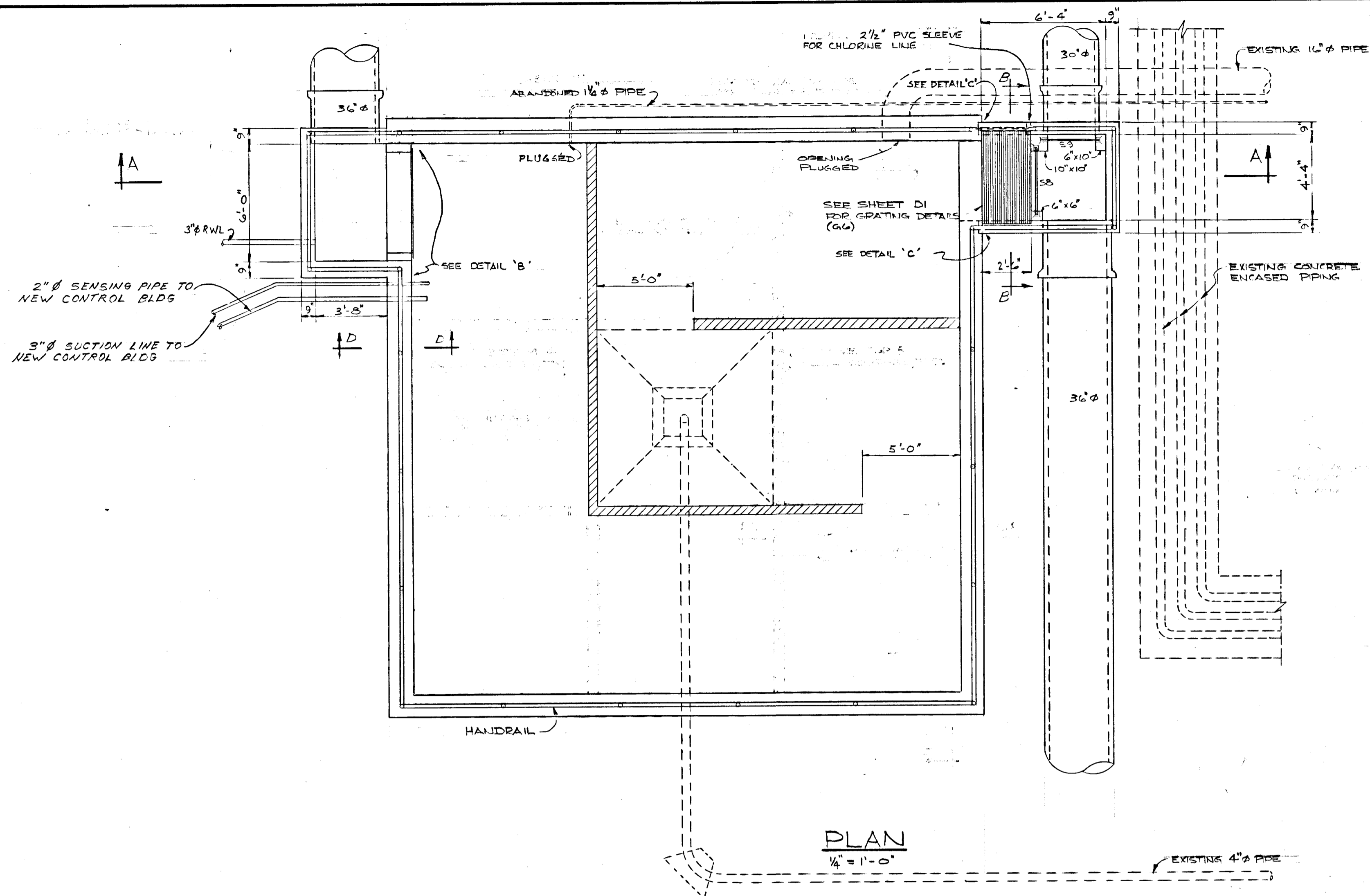
THIS DRAWING IS APPROVED FOR CONSTRUCTION PURPOSES
 Date Oct 4/76 Job No. 955
 J. D. LEE ENGINEERING LIMITED



WPCP 031



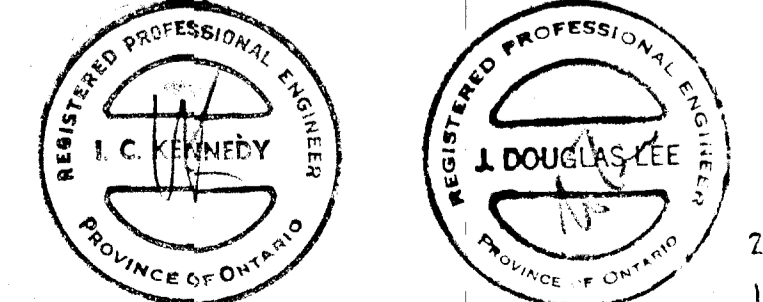
GREATER NAPANEE WATER SUPPLY & POLLUTION CONTROL BOARD 75 EAST STREET, NAPANEE, ONTARIO K0R 1S0 (813) 354-8338 FAX (813) 354-2836			
PROJECT 955 CLARIFIER No 2			
WATER POLLUTION CONTROL PLANT			
APPROVED BY	SPECIFICATIONS		
DESIGNED BY	DATE JUNE 1976	SCALE AS SHOWN	
DRAWN BY	DWS NO. WPCP-1976/1-ARCH-NO 4/19		



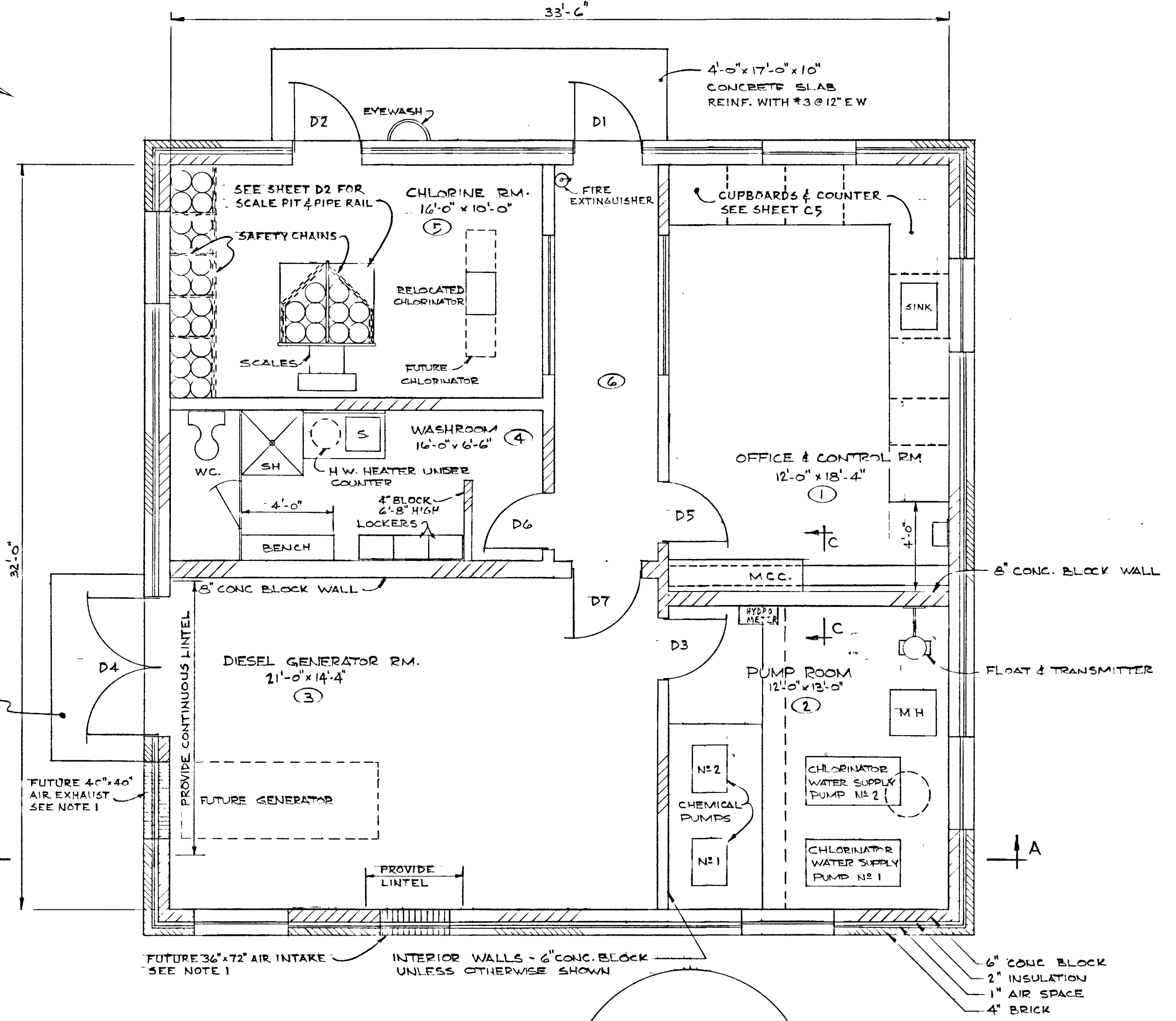
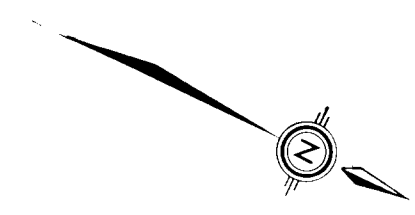
NOTES:

- WALLS & SLABS OF NEW INLET & OUTLET STRUCTURES REINFORCED WITH #4 @ 12" c/c EACH WAY.

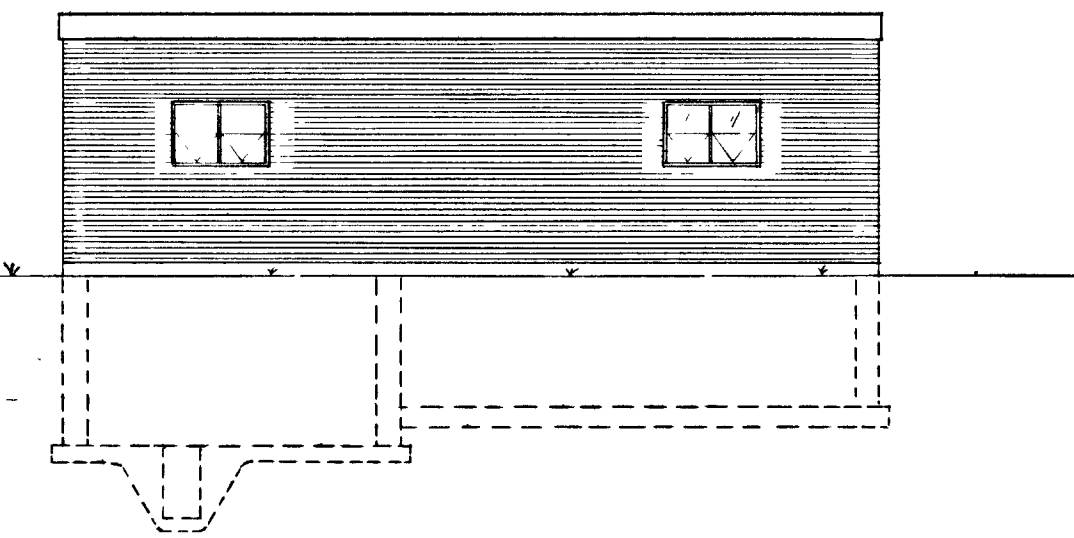
GREATER NAPANEE WATER SUPPLY & POLLUTION CONTROL BOARD 75 EAST STREET, NAPANEE, ONTARIO K7R 1S3 (813) 354-8338 FAX (813) 354-2838					
PROJECT 955 CHLORINE CONTACT TANK					
WATER POLLUTION CONTROL PLANT					
APPROVED BY		SPECIFICATIONS			
DESIGNED BY	DATE	SCALE		AS SHOWN	
DRAWN BY	DWG. NO.	WPCP-1976/1-ARCH-NO 5/19			
WATER POLLUTION CONTROL PLANT					
CHLORINE CONTACT TANK					
J. D. LEE ENGINEERING LIMITED CONSULTING ENGINEERS - KINGSTON, BRANTFORD, ONT.					
DATE	REVISION	CHK	QUANT	SCALE	JOB NO.
22/06/76	1	AS BUILT		AS SHOWN	955
		DESIGN		DWG. No.	DATE
		DWN		1158 C	22/06/76
				SHEET	REVISION
				C3	2



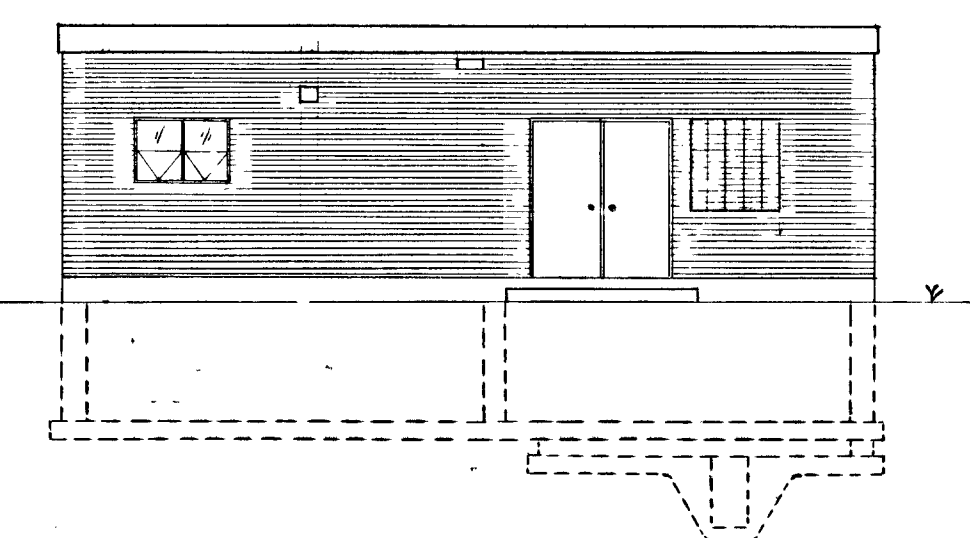
CONSTRUCTION NORTH



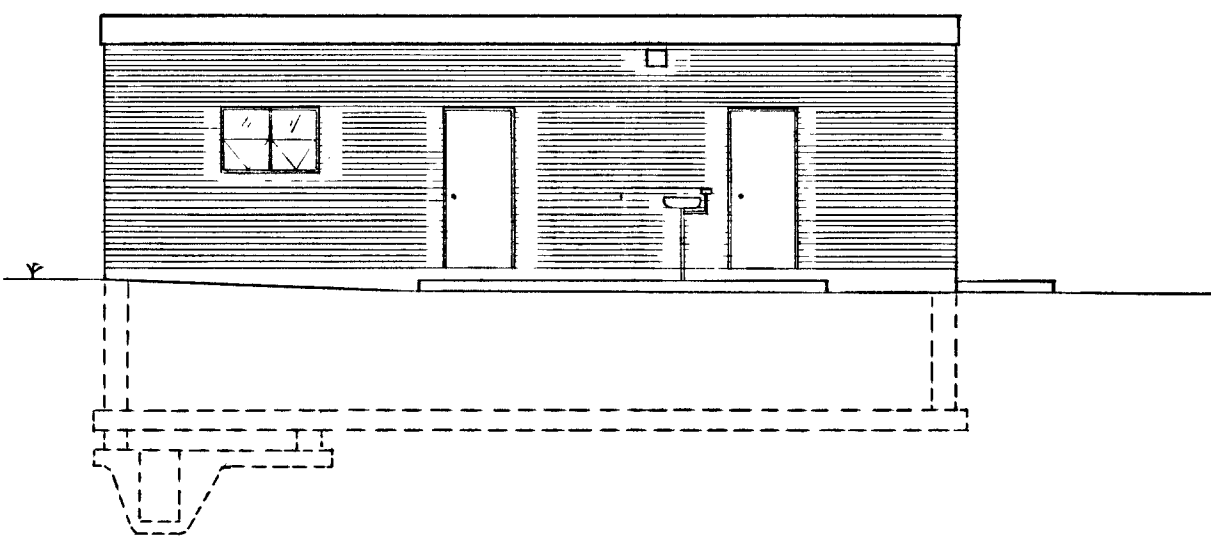
PLAN
1/4" = 1'-0"



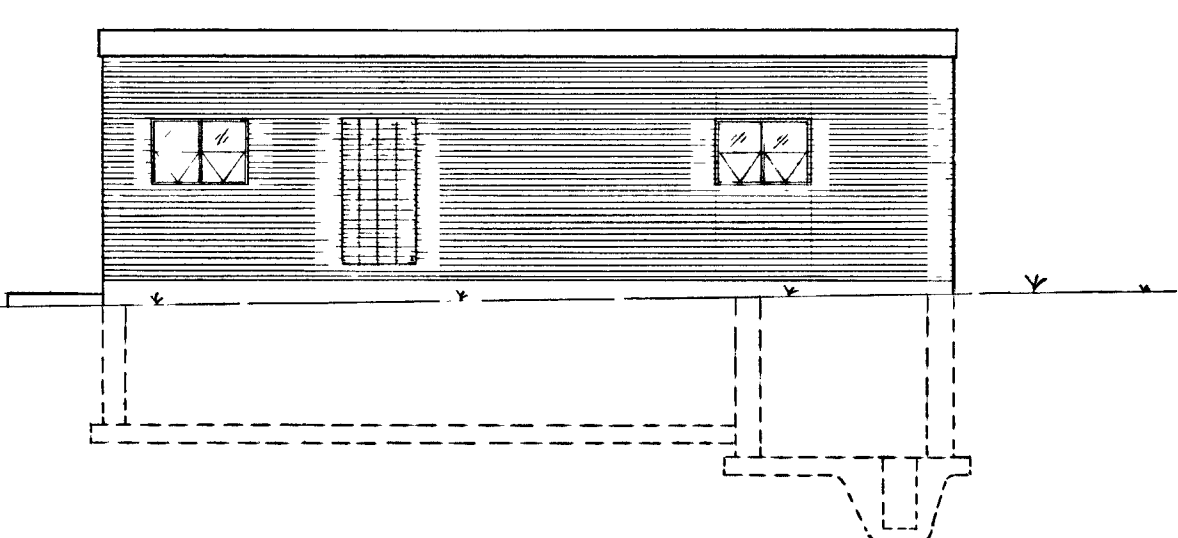
NORTH ELEVATION
1/8" = 1'-0"



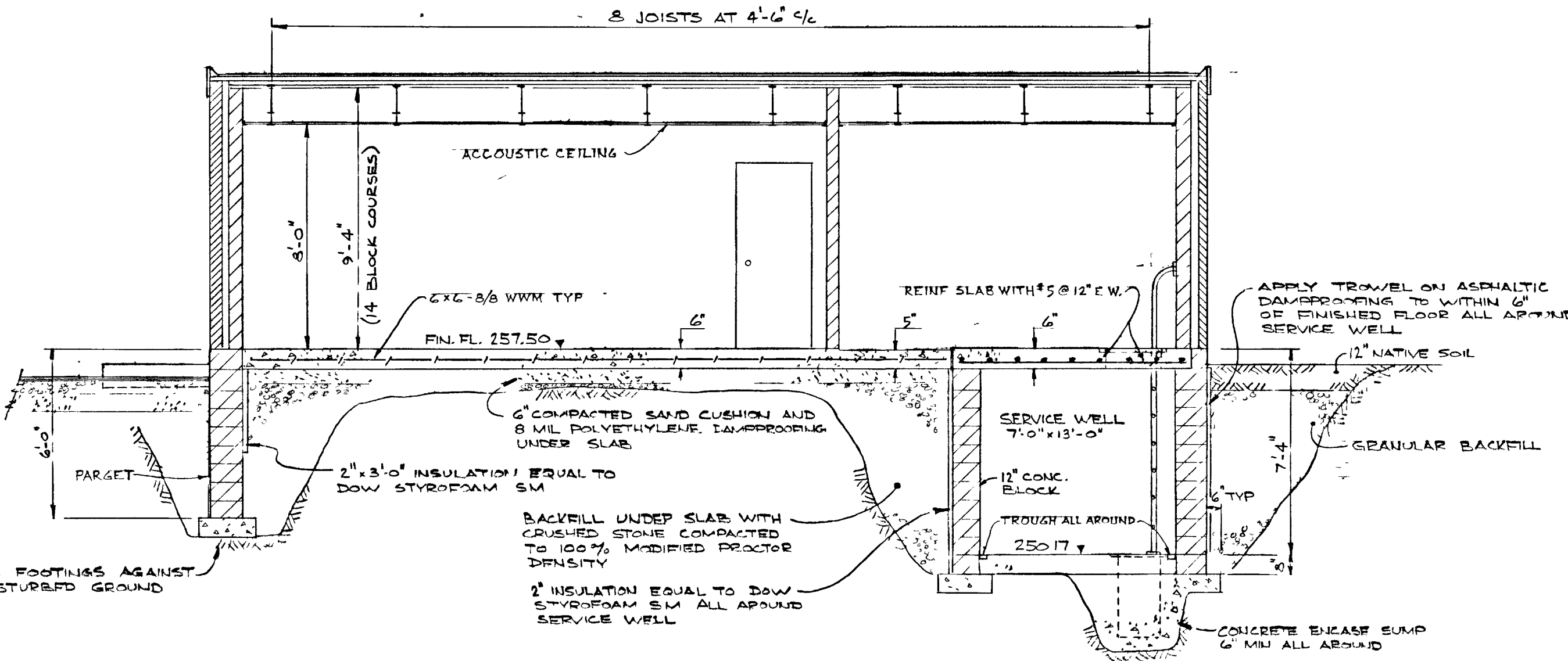
SOUTH ELEVATION
1/8" = 1'-0"



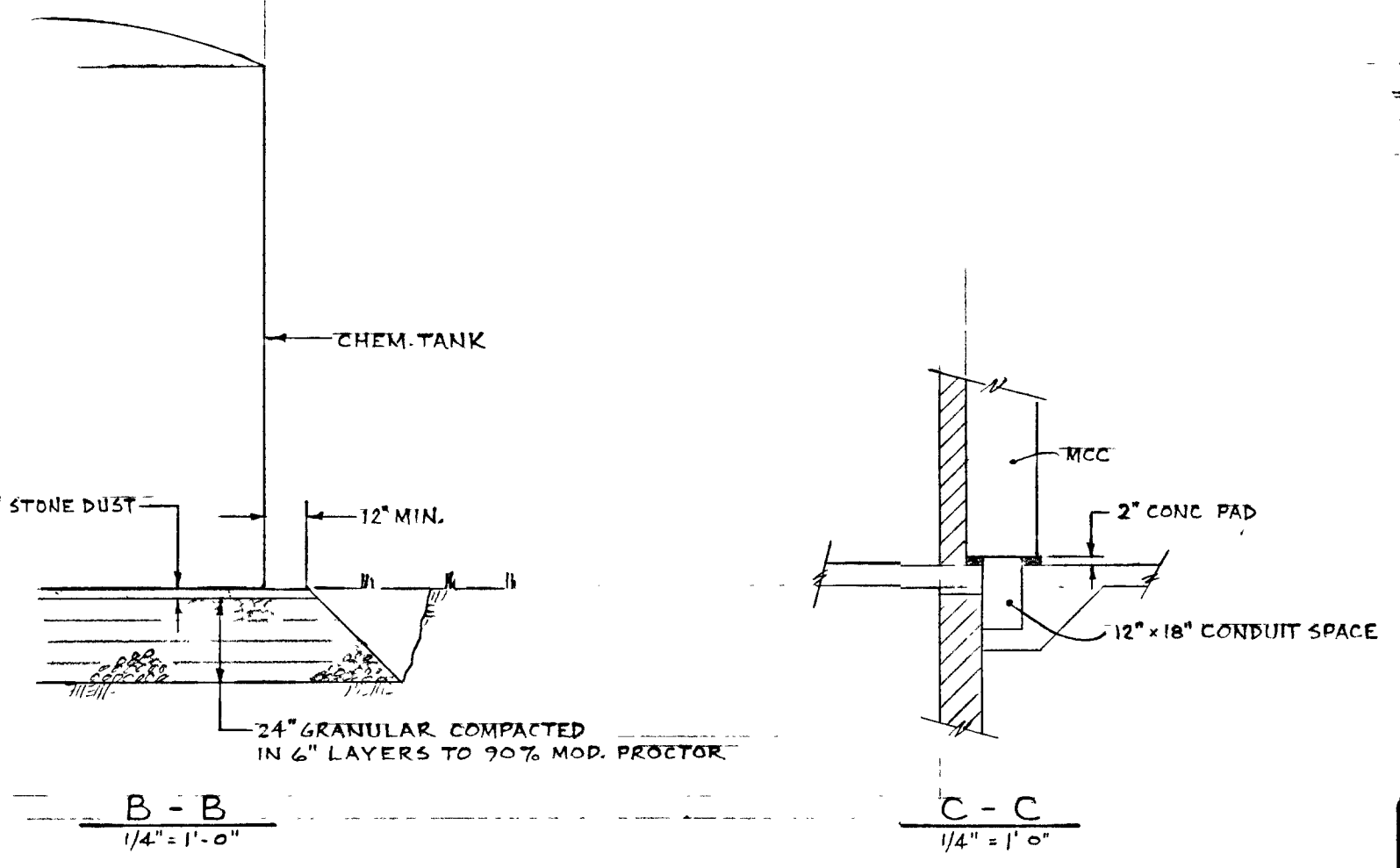
WEST ELEVATION
1/8" = 1'-0"



EAST ELEVATION
1/8" = 1'-0"



SECTION A-A
1/4" = 1'-0"



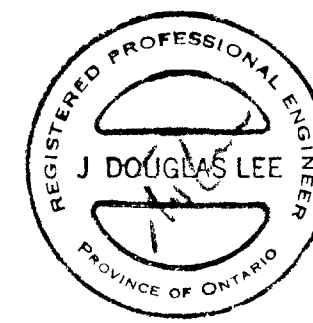
NOTES:
1) INSTALL UNIT LINTELS FOR FUTURE LOUVER OPENINGS AND FILL IN WITH BRICK & BLOCK STACK BONDED WITH OPEN JOINT EACH SIDE CAULKED WITH POLYSULPHIDE.

GREATER NAPANEE WATER SUPPLY & POLLUTION CONTROL BOARD 75 EAST STREET, NAPANEE, ONTARIO, N7R 1S3 (613) 354-9338 FAX (613) 354-2838			
PROJECT 955 CONTROL BUILDING - ARCHITECTURAL			
WATER POLLUTION CONTROL PLANT			
APPROVED BY	SPECIFICATIONS		SCALE
DESIGNED BY	DATE	JUNE 1976	AS SHOWN
DRAWN BY	DWG NO WPCP-1976/1-1204-N36/17		

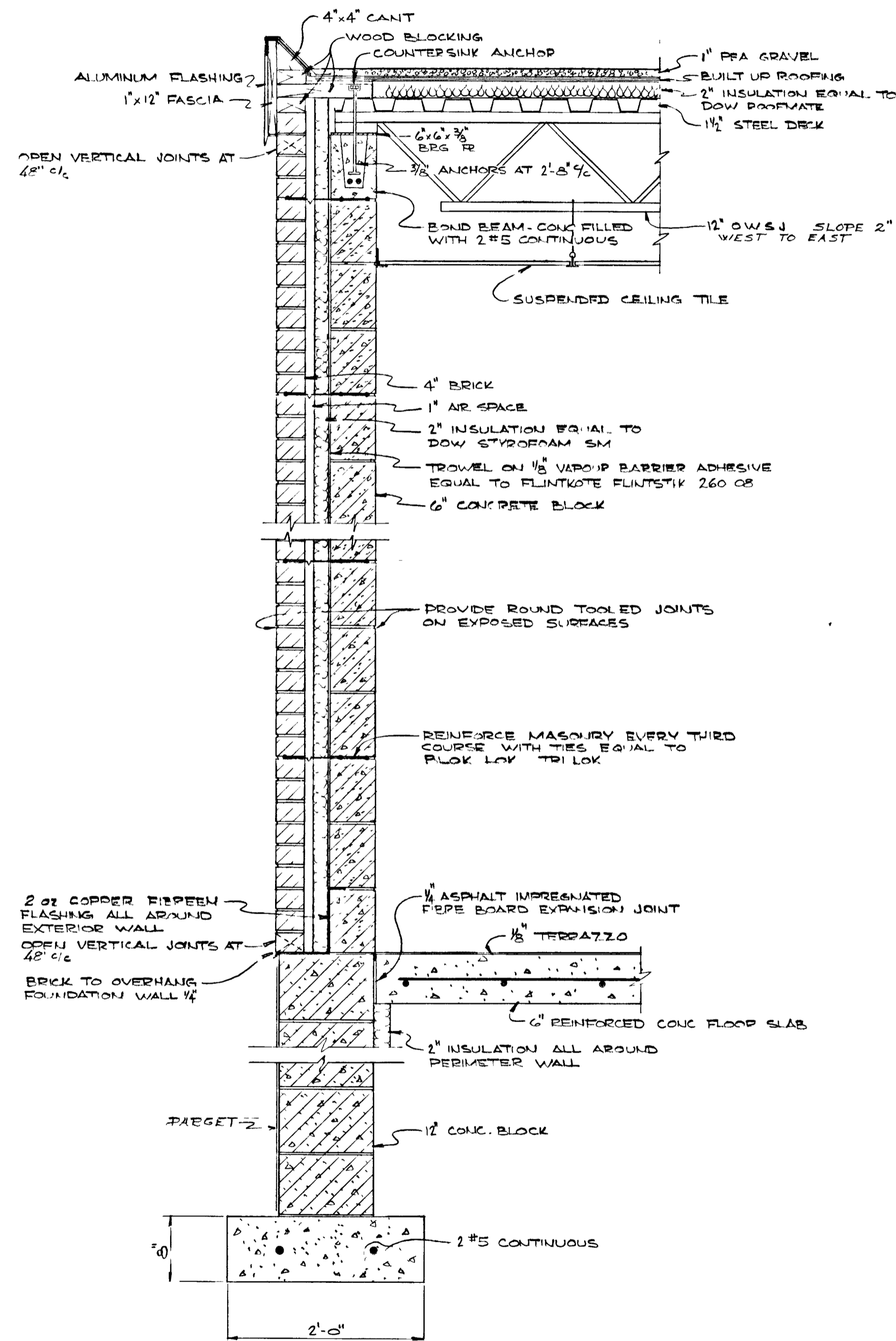
TOWN OF NAPANEE FOR			
NAPANEE AREA WATER SUPPLY & POLLUTION CONTROL BOARD			
WATER POLLUTION CONTROL PLANT			
CONTROL BUILDING — ARCHITECTURAL			

J. D. LEE ENGINEERING LIMITED			
CONSULTING ENGINEERS - KINGSTON BRANTFORD, ONT.			
SEPT/76	AS BUILT	SCALE AS SHOWN	JOB NO 955
DATE	REVISION	CHK	QUANT
1	SEPT 8/76	CLM	1158 C
2			

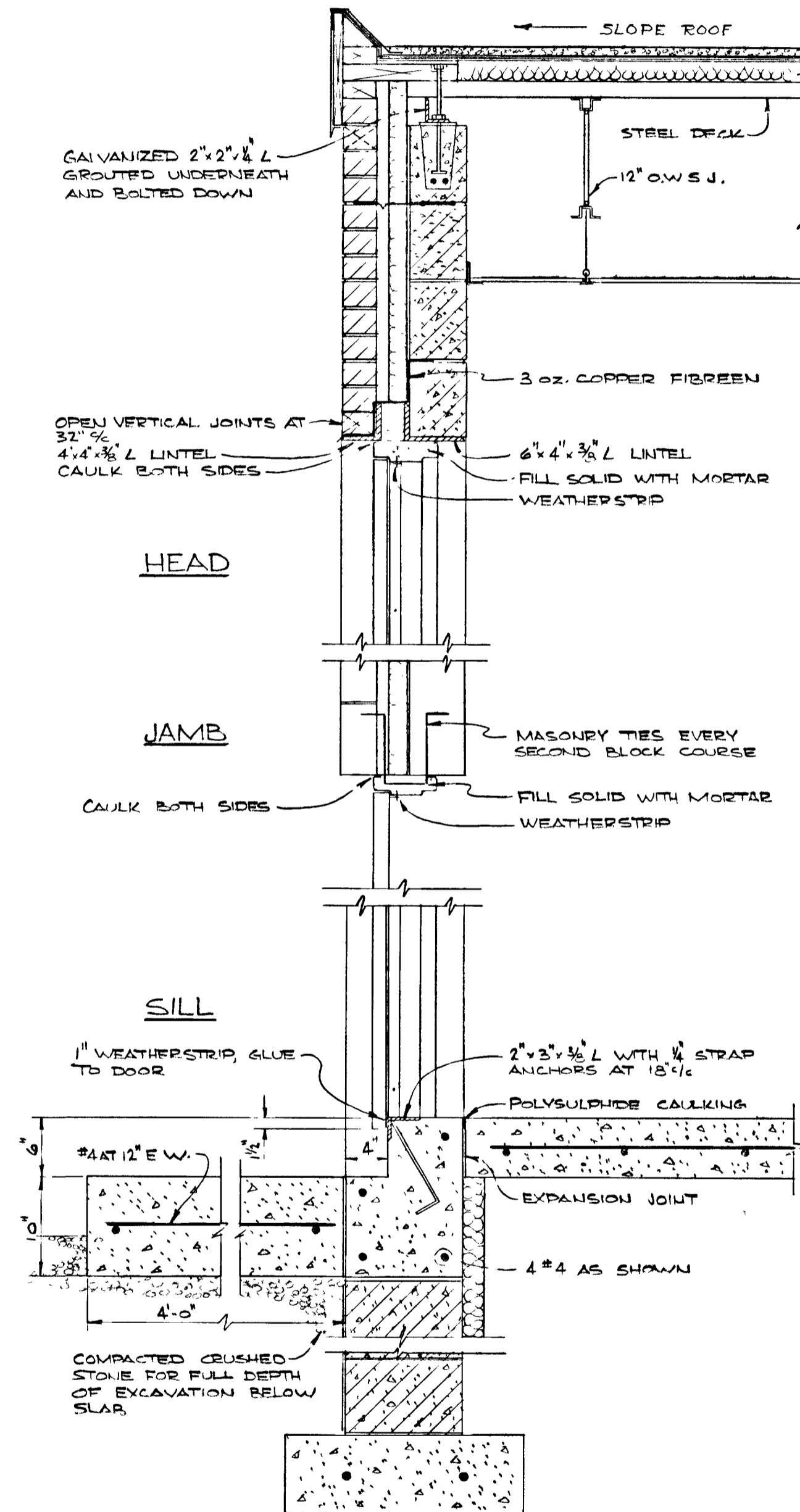
THIS DRAWING IS APPROVED FOR CONSTRUCTION PURPOSES
By: [Signature] Date: Oct 6/76 Job No 955
J. D. LEE ENGINEERING LIMITED



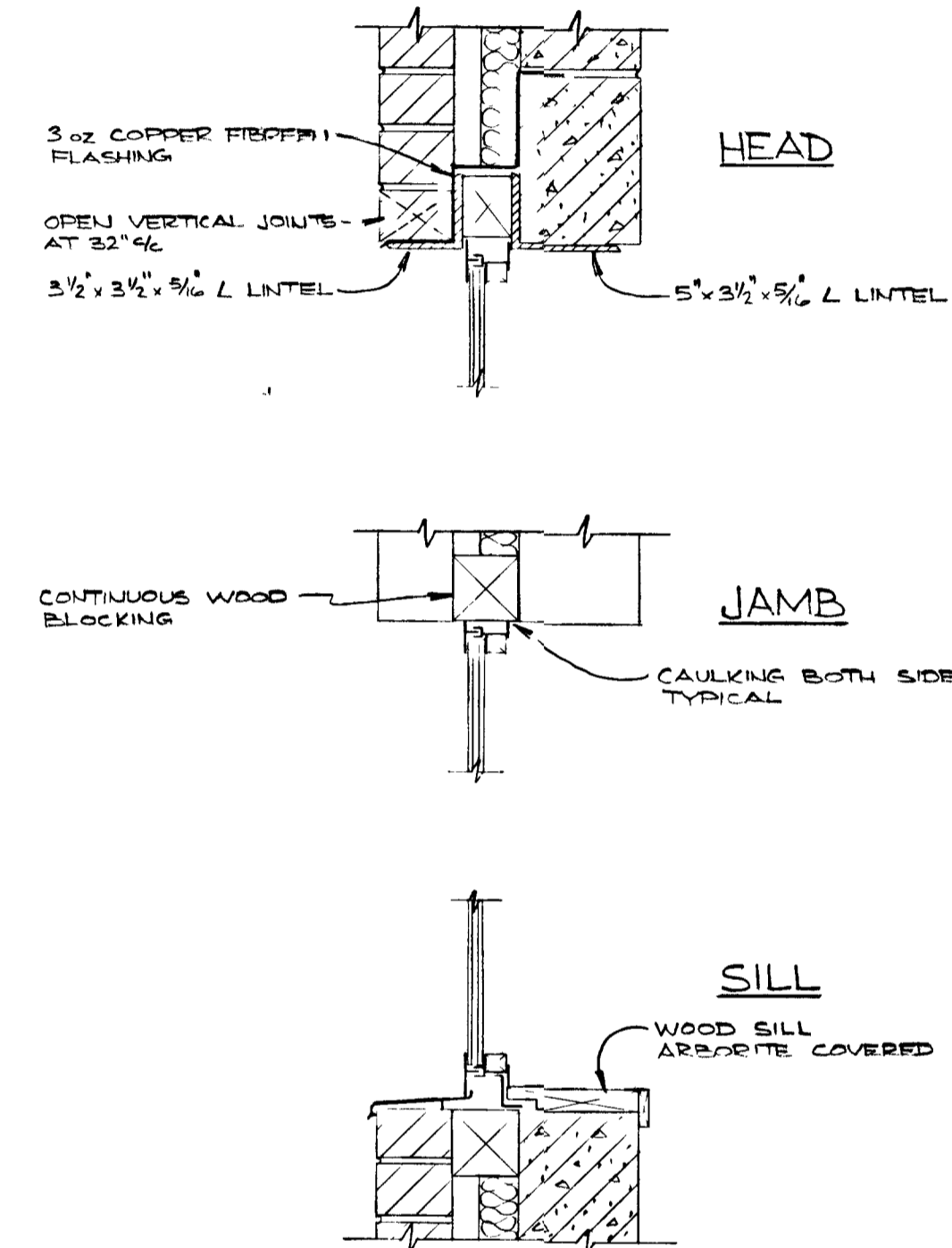
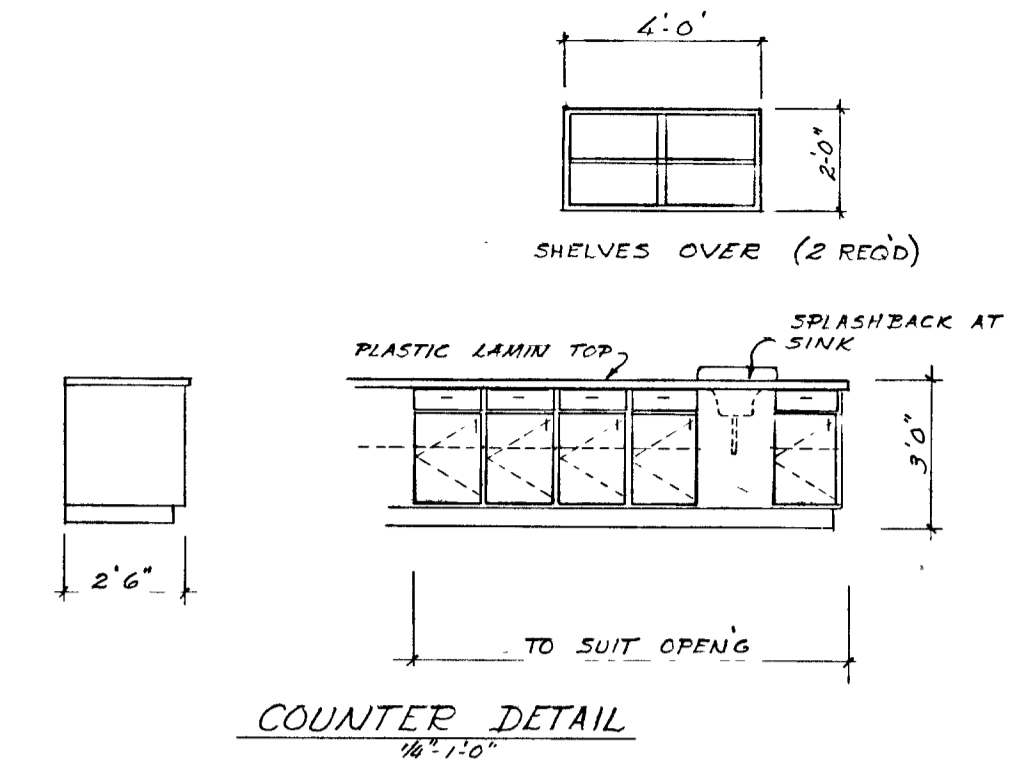
WPCP 033



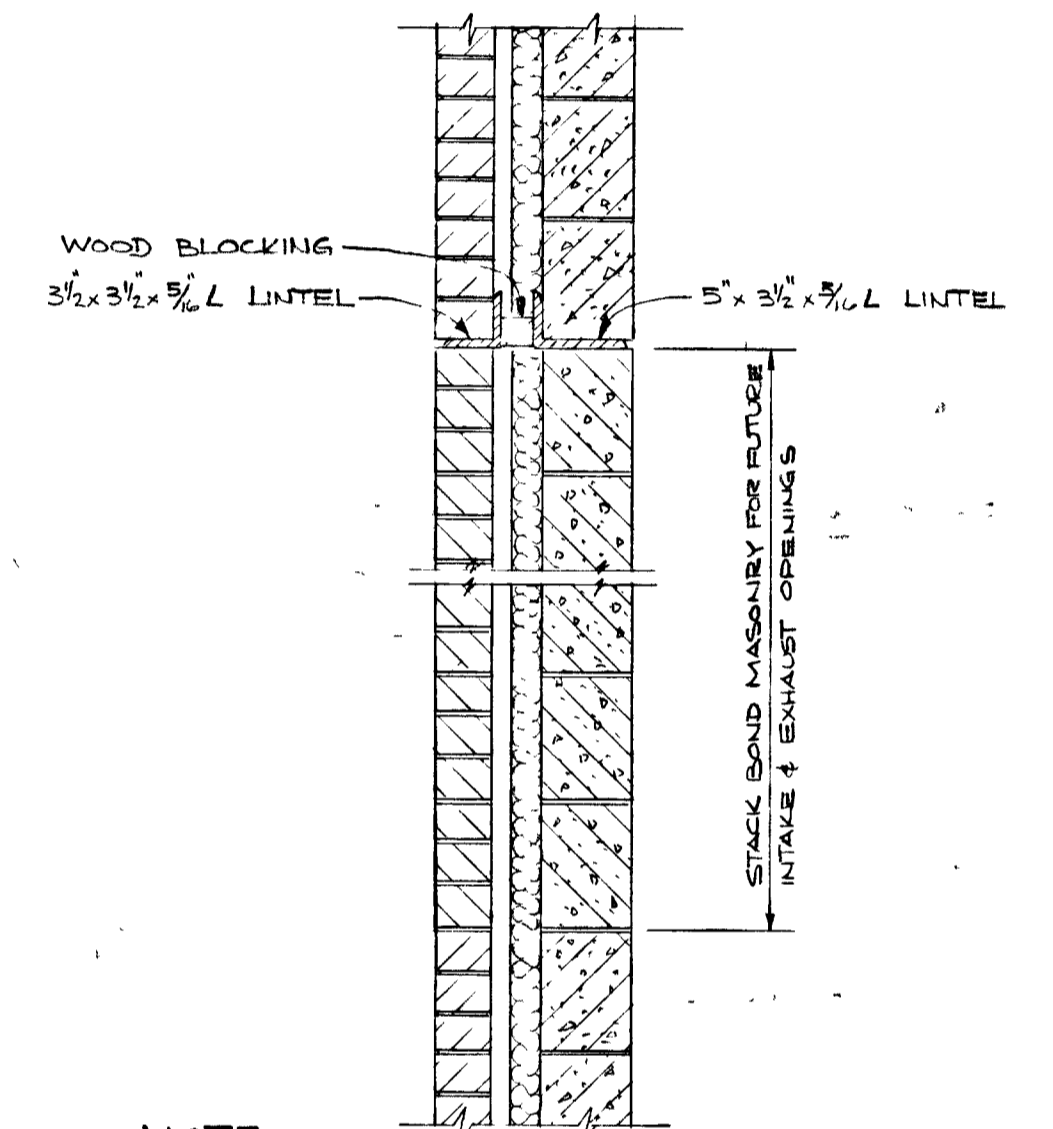
TYPICAL SECTION
1/4" = 1'-0"



SECTION THRU DOOR
1/4" = 1'-0"



SECTION THRU WINDOW
1/4" = 1'-0"
(SEE SHOP DWS FOR ALUM WINDOW FRAME DETAIL)



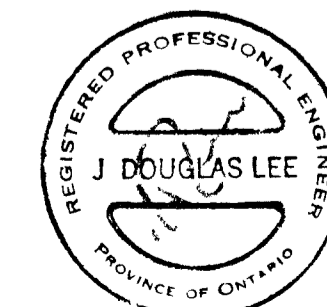
NOTE:
1 - OPENING FOR INTAKE IS 36" WIDE x 72" HIGH
2 - OPENING FOR EXHAUST IS 48" WIDE x 48" HIGH
3 - PLACE LINTELS AT SAME HEIGHT AS DOOR LINTELS

OPENING FOR LOUVRES
1/4" = 1'-0"



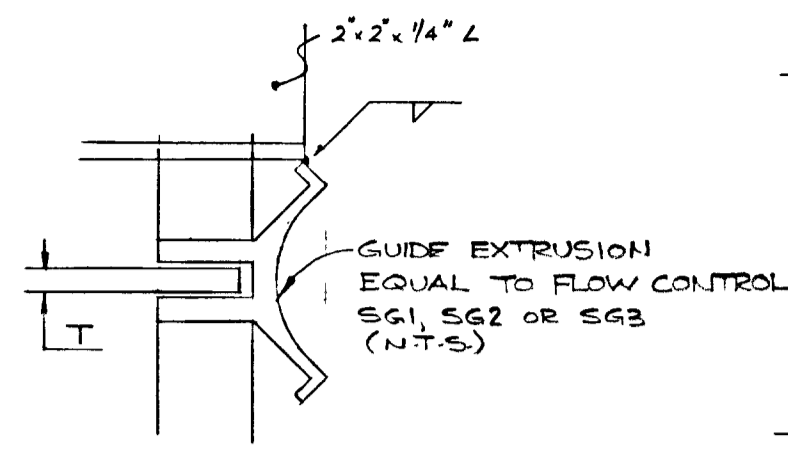
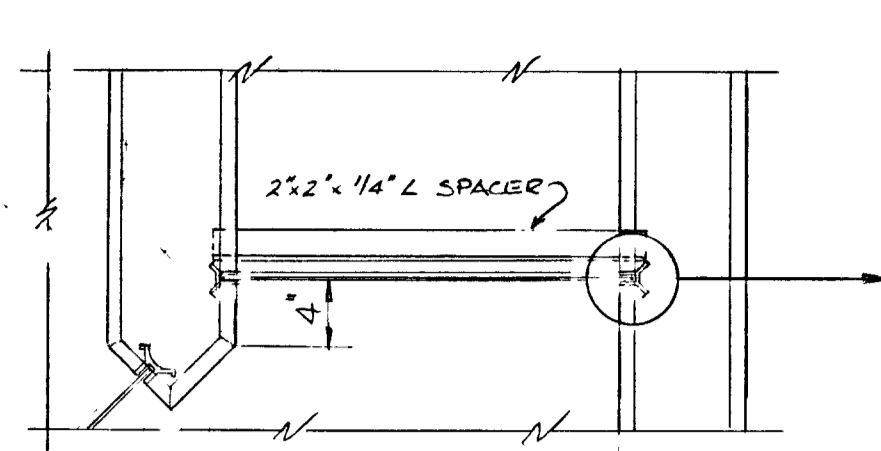
WPCP
034

THIS DRAWING IS APPROVED
FOR
CONSTRUCTION PURPOSES
By: *JDL* Date: *Oct 6/76* Job No: *935*
J. D. LEE ENGINEERING LIMITED

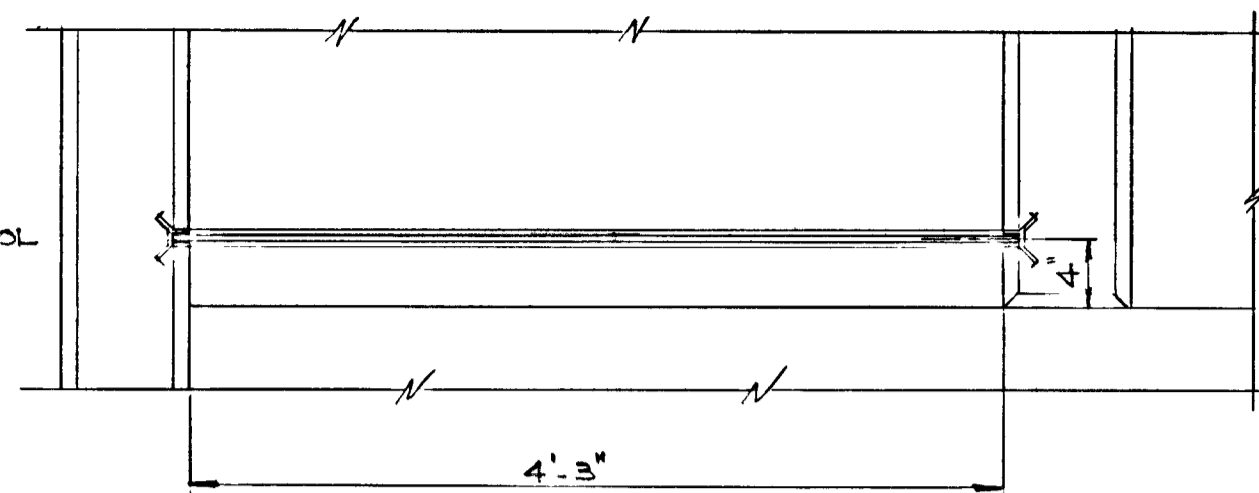


GREATER NAPANEE WATER SUPPLY & POLLUTION CONTROL BOARD 75 EAST STREET, NAPANEE, ONTARIO K7R 1S3 (613) 354-9338 FAX (613) 354-2838			
PROJECT 955 ARCHITECTURAL DETAILS			
WATER POLLUTION CONTROL PLANT			
APPROVED BY	SPECIFICATIONS		
DESIGNED BY	DATE	SCALE	
	JUNE 1976	AS SHOWN	
DRAWN BY	DWG NO WPCP-1976/1-ARCH-NO 7/19		

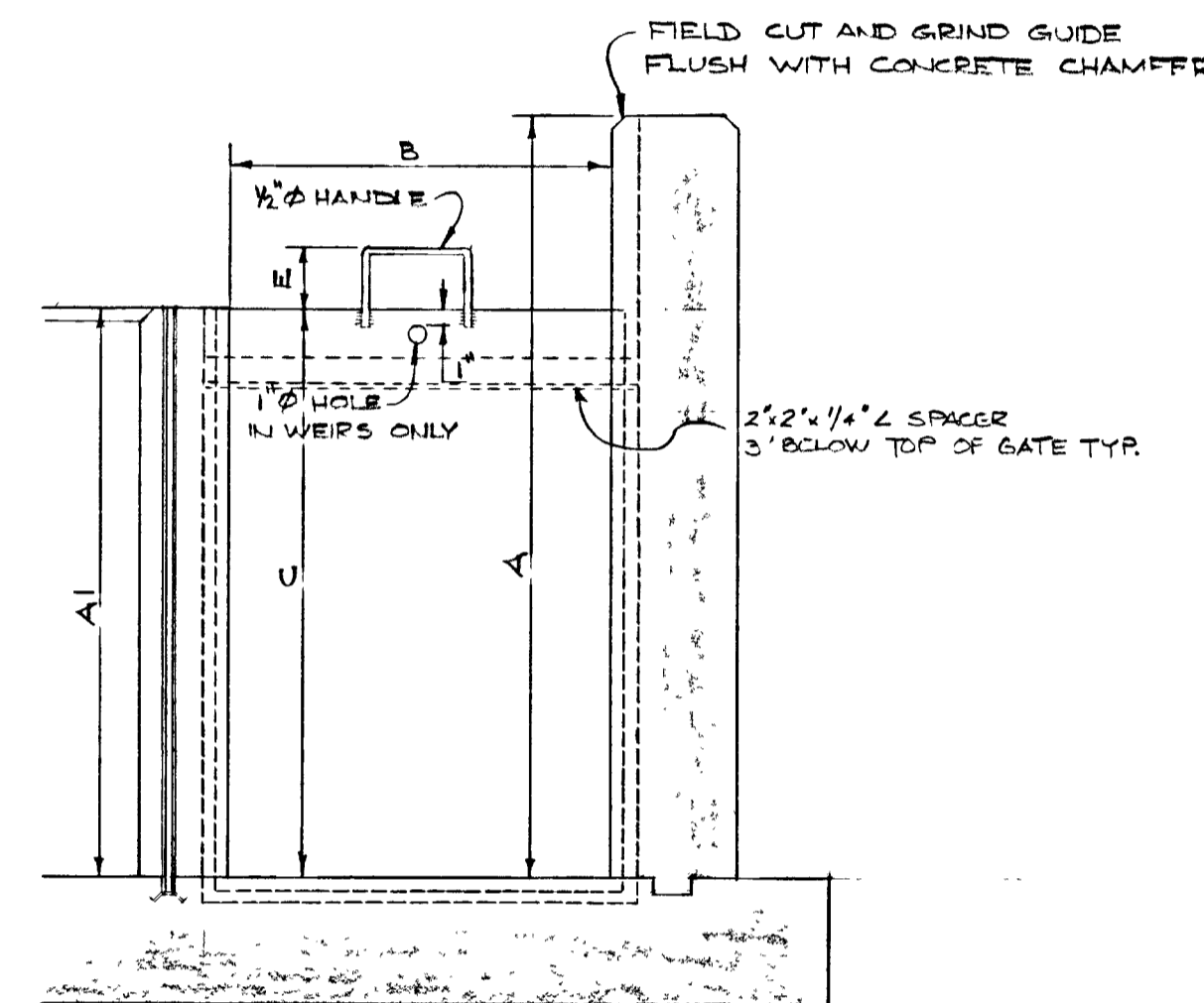
TOWN OF NAPANEE FOR			
NAPANEE AREA WATER SUPPLY & POLLUTION CONTROL BOARD			
WATER POLLUTION CONTROL PLANT			
ARCHITECTURAL DETAILS			
J. D. LEE ENGINEERING LIMITED			
CONSULTING ENGINEERS - KINGSTON BRANTFORD, ONT			
DESIGN	SCALE	JOB NO	DATE
AS BUILT	AS SHOWN	955	22/06/76
DATE	REVISION	CHK	QUANT
		DWG NO	SHEET
		1158 C	C5
		REVISION	1



PLAN



PLAN

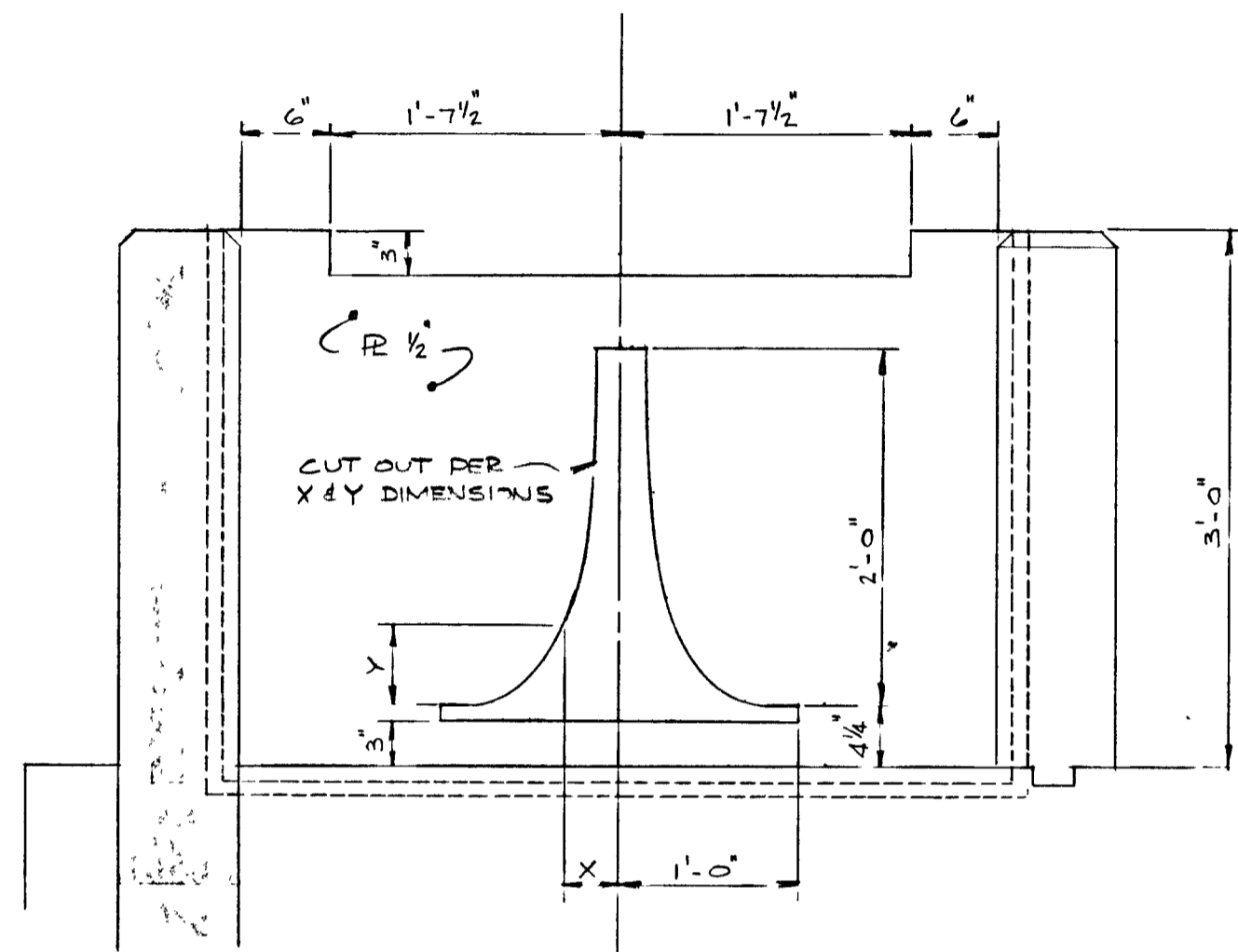


ELEVATION

STOP GATES AND WEIRS

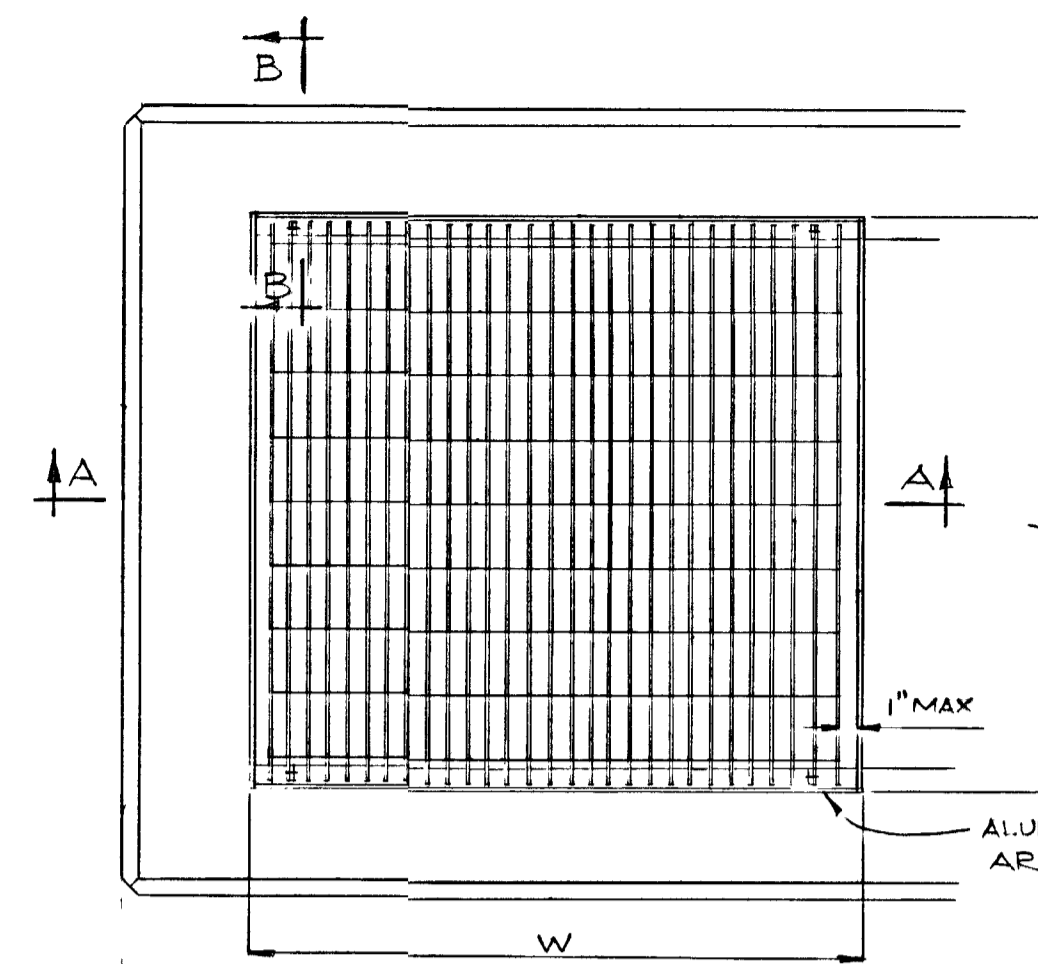
X	Y
3 7/8"	1"
7 1/16"	2"
6 1/16"	3"
4 1/2"	6"
3 3/4"	9"
3 1/4"	12"
2 1/16"	15"
2 1/16"	18"
2 3/8"	24"

TOLERANCE ± 1/16"

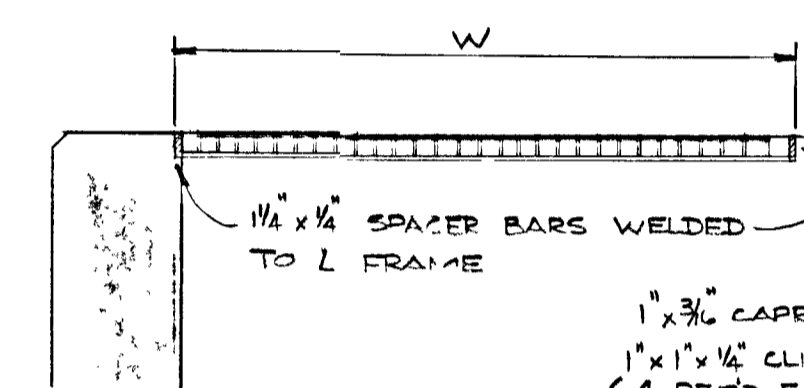


ELEVATION

PROPORTIONAL WEIR



PLAN

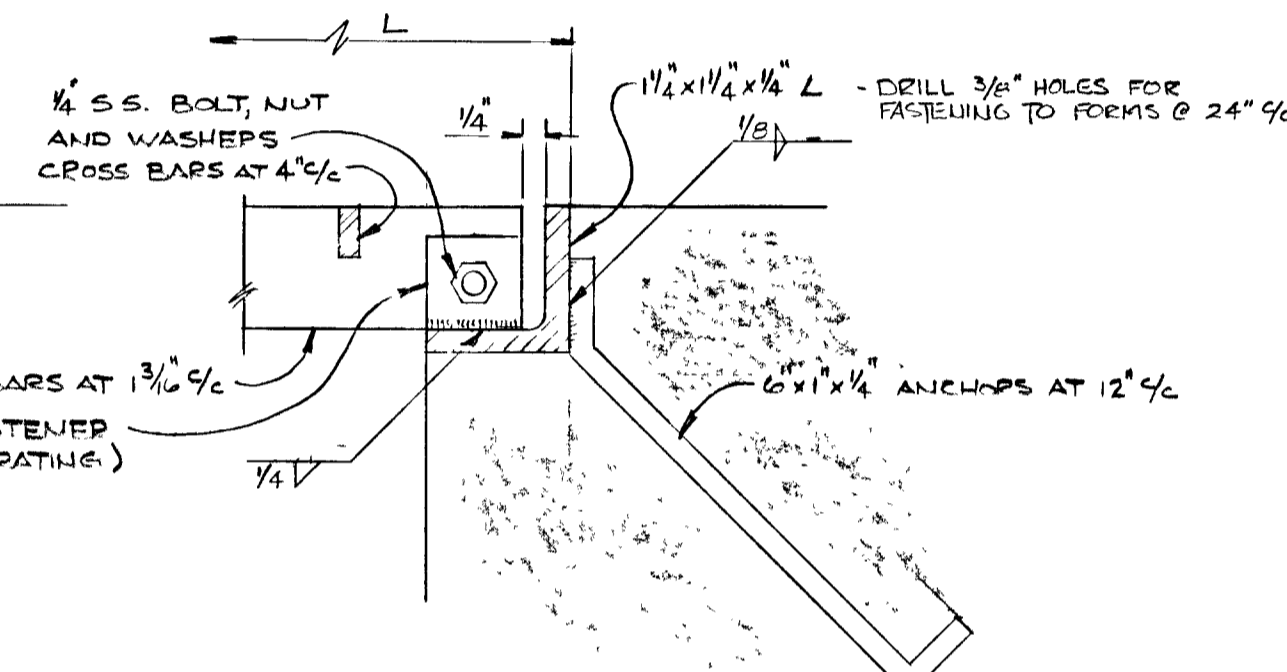


SECTION A-A

GRATINGS

MARK	L	W
G1	4'-3"	5'-6"
G2	4'-3"	4'-10"
G3	4'-3"	4'-2"
G4	3'-0 1/4"	2'-9 1/4"
G5	3'-0 1/4"	3'-0"
G6	4'-7"	2'-6"
G7	3'-3"	4'-0"
G8	2'-0"	5'-6"

* SEE SHEET C1 FOR FRAME DETAIL

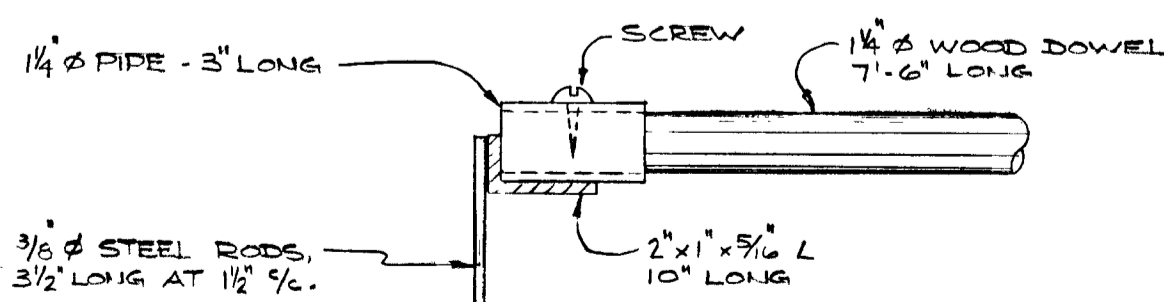


SECTION B-B

N.T.S.

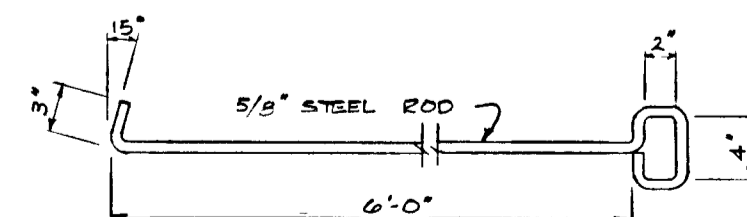
MARK	QUANT	A	A1	B	C	E	T	COMMENTS
* S1	1	—	—	2'-0"	—	—	1/4"	STEM & HANDWHEEL *
* S2	1	—	—	2'-0"	—	—	1/4"	STEM & HANDWHEEL *
S3	1	3'-4 3/4"	3'-4 3/4"	2'-6"	3'-4 3/4"	4"	1/4"	
S4	1	3'-11 1/2"	3'-11 1/2"	2'-6"	3'-6"	4"	1/4"	
S5	1	3'-6"	3'-6"	2'-0"	3'-0"	4"	1/4"	
S6	1	5'-3 3/4"	5'-3 3/4"	2'-9 3/4"	2'-0"	4'-2"	3/8"	HANDLE RAIGS AT 12" c/c
S7	1	5'-3 3/4"	5'-3 3/4"	2'-9 3/4"	—	—	—	SUPPLY GUIDE ONLY
S8	1	7'-0"	7'-0"	3'-0"	2'-6"	4'-6"	3/8"	HANDLE RAIGS AT 12" c/c
S9	1	7'-0"	7'-0"	2'-6"	2'-6"	4'-6"	3/8"	HANDLE RAIGS AT 12" c/c
W1	1	4'-0"	3'-0"	2'-10"	2'-3 1/2"	—	3/8"	NO HANDLE
W2	3	3'-0"	3'-0"	4'-3"	—	—	1/4"	SEE PROPORTIONAL WEIR
W3	1	3'-4 3/4"	3'-4 3/4"	2'-0"	1'-6"	—	1/4"	NO HANDLE
W4	1	3'-6"	3'-6"	3'-0"	3'-3"	—	3/8"	NO HANDLE

NOTE: 1) DIMENSIONS A, A1 & B ARE CONCRETE OPENING DIMENSIONS
 2) W ARE WEIRS WITH 1" Ø LIFT HOLES
 3) * SEE SHEET C1 FOR DETAILS.

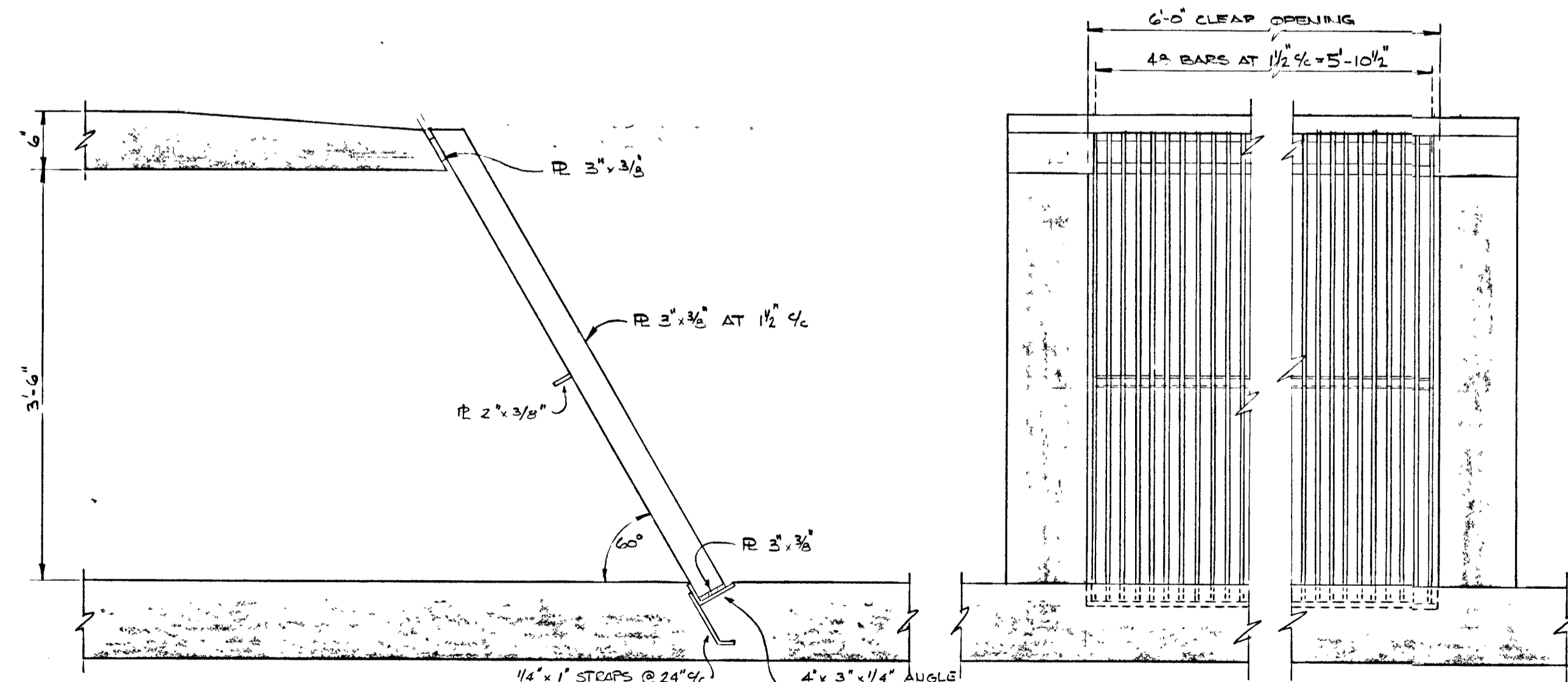


NOTE: HOT DIP GALV AFTER FABRICATION

BAR SCREEN RAKE



LIFT HOOK

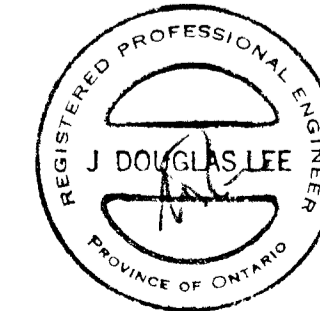


SECTION

ELEVATION

BAR SCREEN

THIS DRAWING IS APPROVED FOR CONSTRUCTION PURPOSES
 By [Signature] Date Oct 4/96 Job No 955
 J. & LEE ENGINEERING LIMITED



WPCP 035

GREATER NAPANEE WATER SUPPLY & POLLUTION CONTROL BOARD
 75 EAST STREET, NAPANEE, ONTARIO K7R 1S3 (519) 354-9338 FAX (519) 354-2838

PROJECT 955 MISCELLANEOUS METALS

WATER POLLUTION CONTROL PLANT

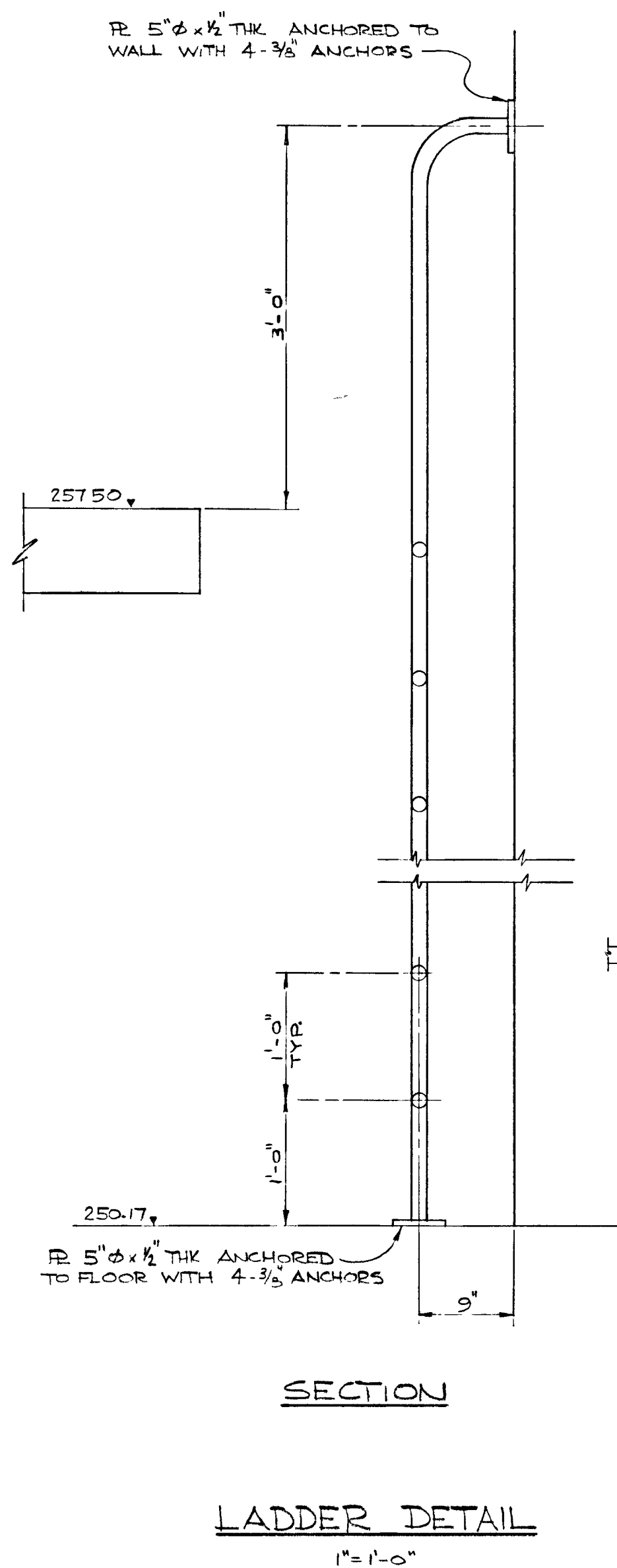
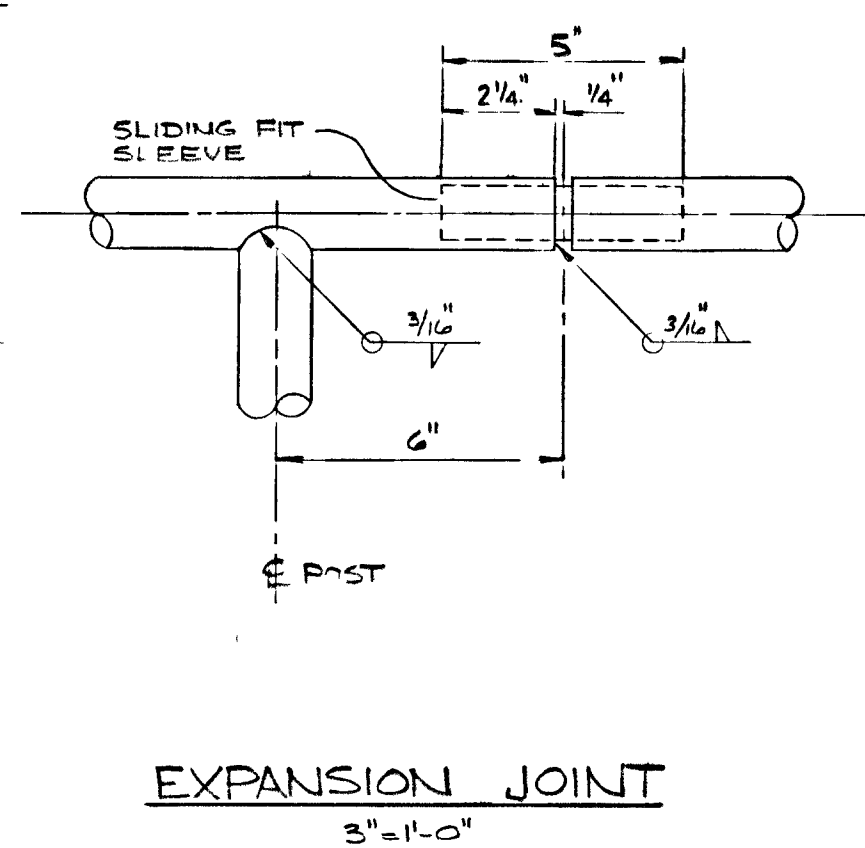
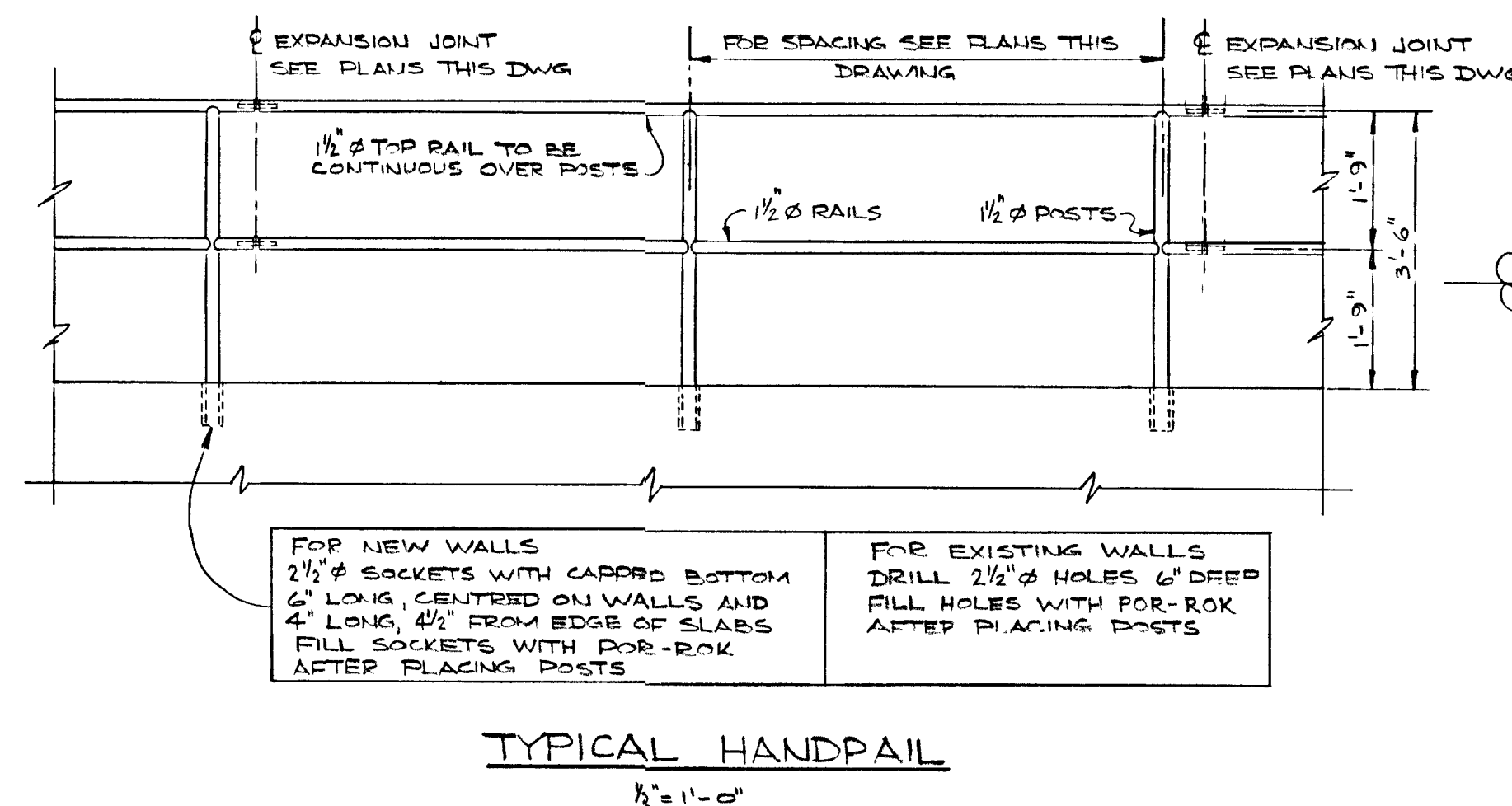
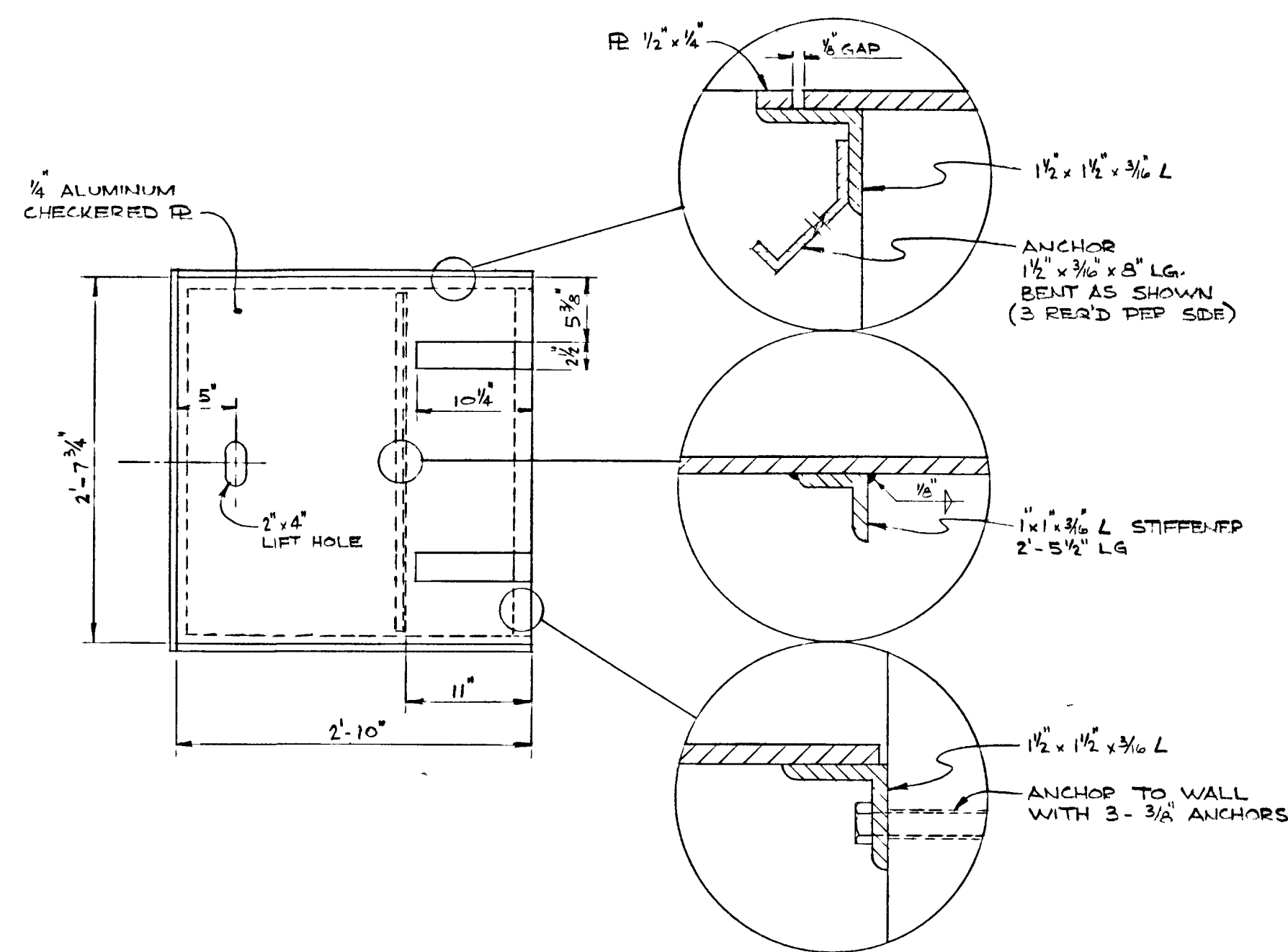
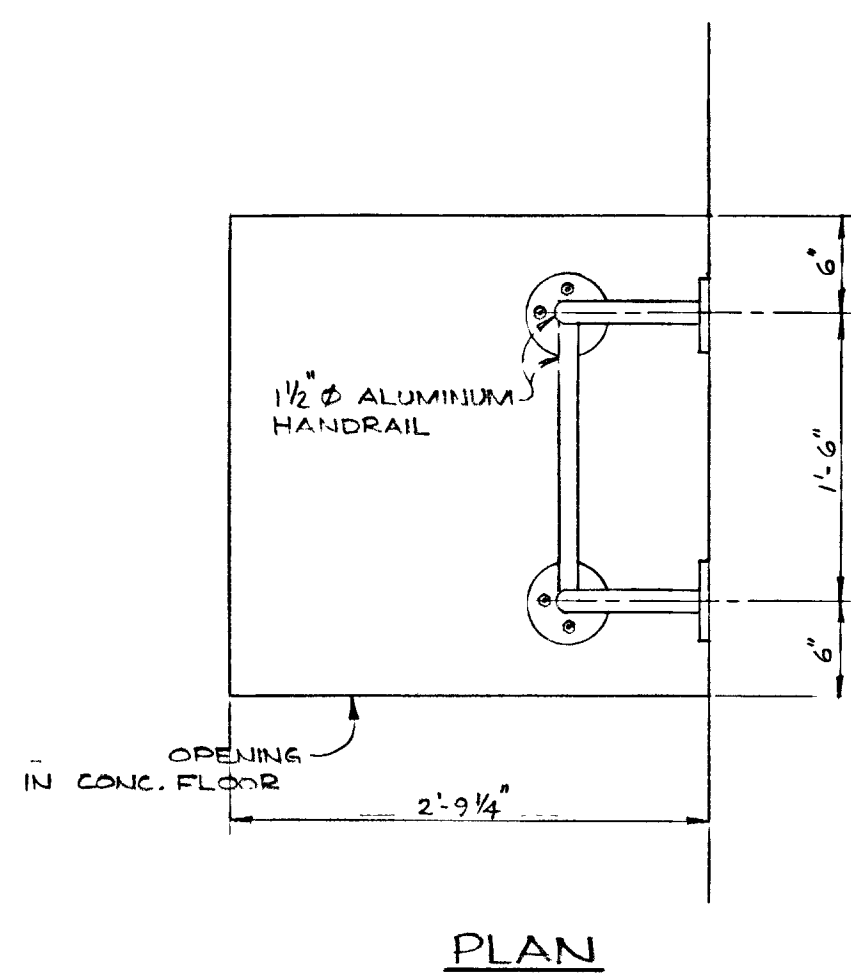
APPROVED BY _____ SPECIFICATIONS _____

DESIGNED BY _____ DATE JUNE 1976 SCALE AS SHOWN

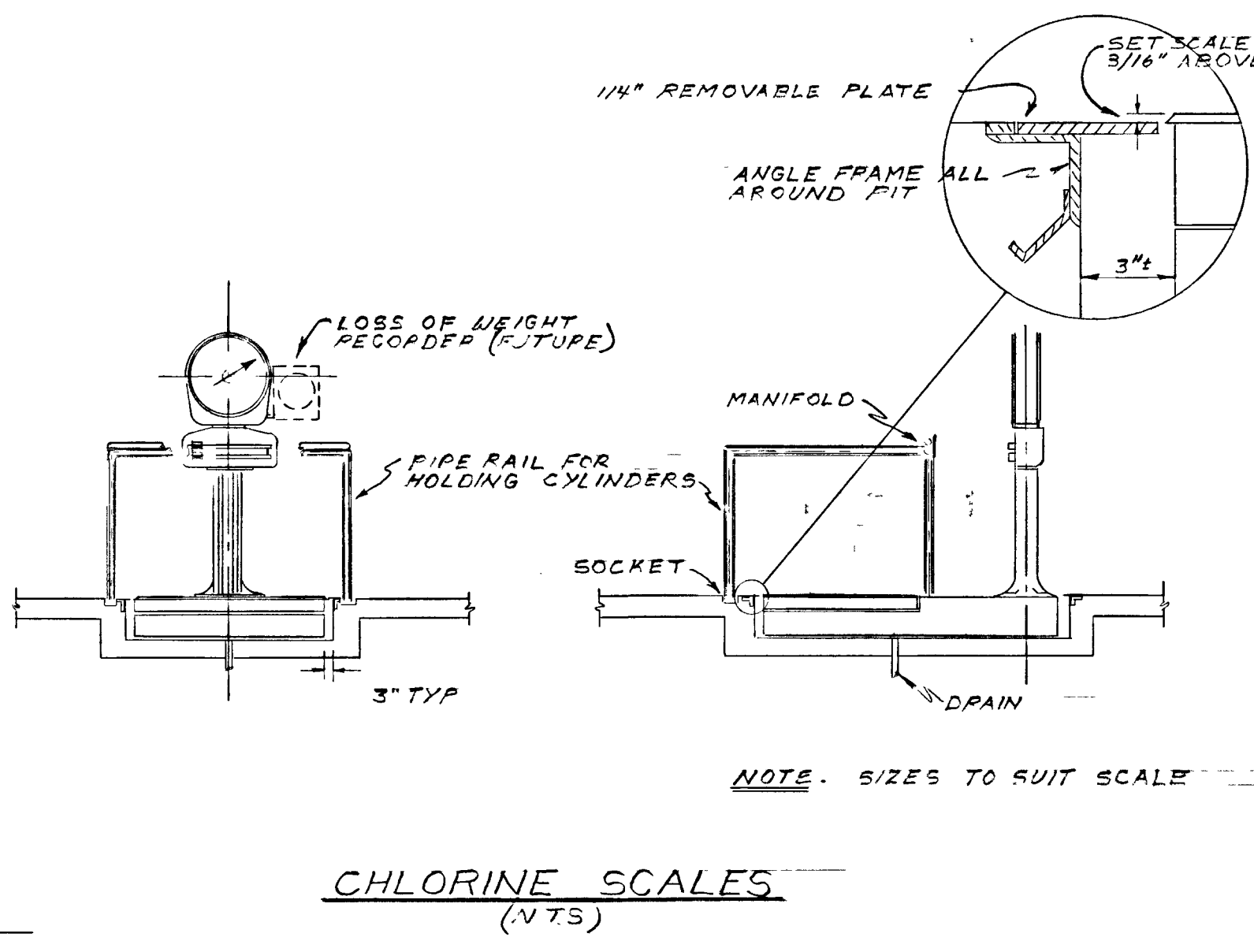
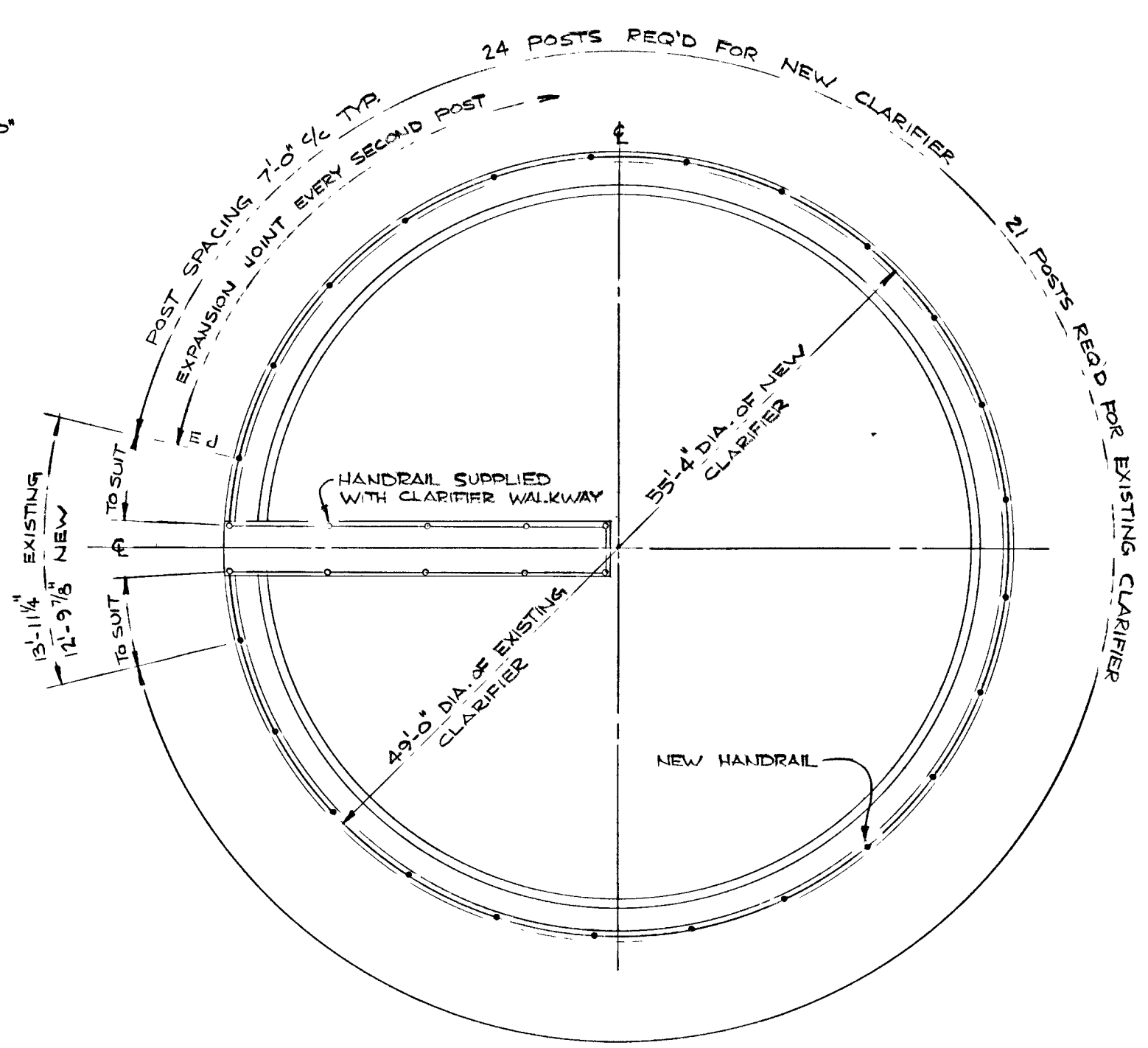
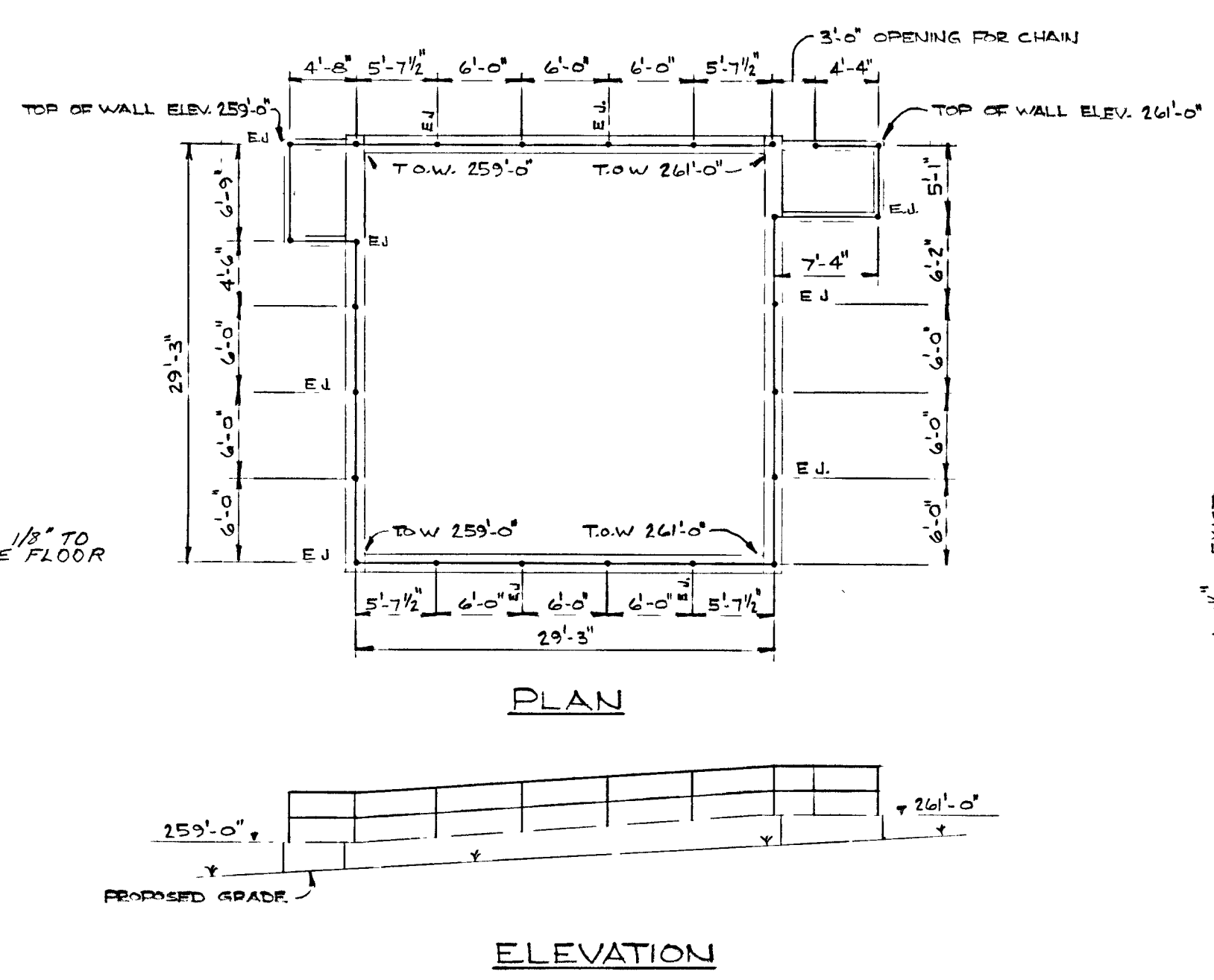
DRAWN BY _____ DWG NO WPCP-1976/1-MISC-NO 8/19

NOTES:
 1- ALL STOP GATES, WEIRS GUIDES, GRATINGS, FRAMES AND BAR SCREEN TO BE ALUMINIUM
 2- ALL SURFACES OF ALUMINIUM IN CONTACT WITH CONCRETE TO BE PAINTED WITH BITUMINOUS PAINT

TOWN OF NAPANEE FOR		NAPANEE AREA WATER SUPPLY & POLLUTION CONTROL BOARD		WATER POLLUTION CONTROL PLANT		MISCELLANEOUS METALS	
J D LEE ENGINEERING LIMITED							
CONSULTING ENGINEERS - KINGSTON BRANTFORD ONT							
DEPT/78	AS BUILT	DESIGN	JKL	SCALE	1" = 1'-0"	JOB NO.	955
PT 8/76	TOP GATES & WEIRS	CHK	DWN	DWG NO	1158 C	SHEET	DI
DATE	REVISION	CHK	QUANT	SCALE	1" = 1'-0"	JOB NO.	955
						DATE	22/06/78
						REVISION	2



MANHOLE COVER
(IN PUMP ROOM)
1'-10"



CHLORINE CONTACT TANK

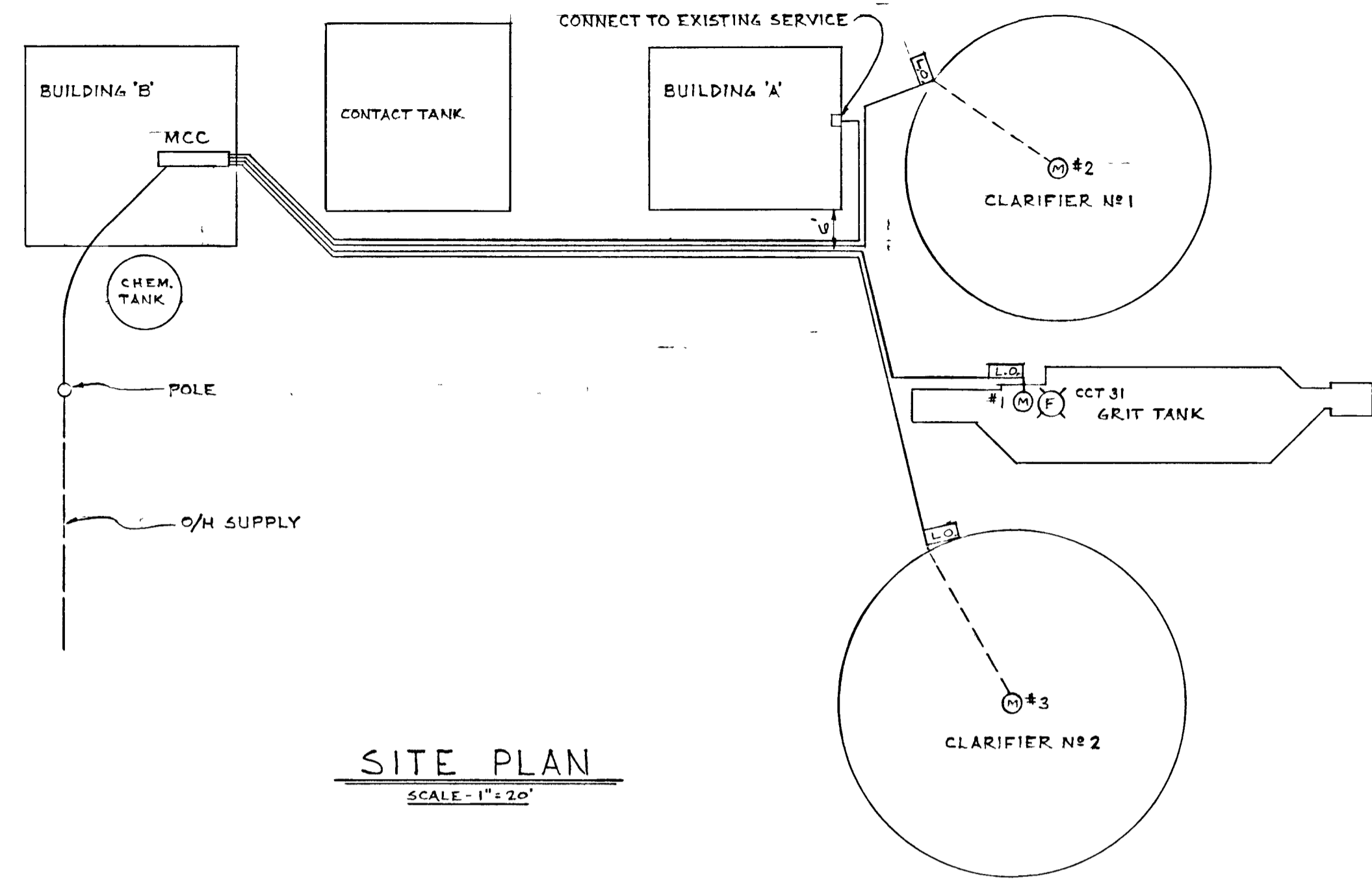
HANDRAIL POST SPACING
1'-10-0"

CLARIFIER

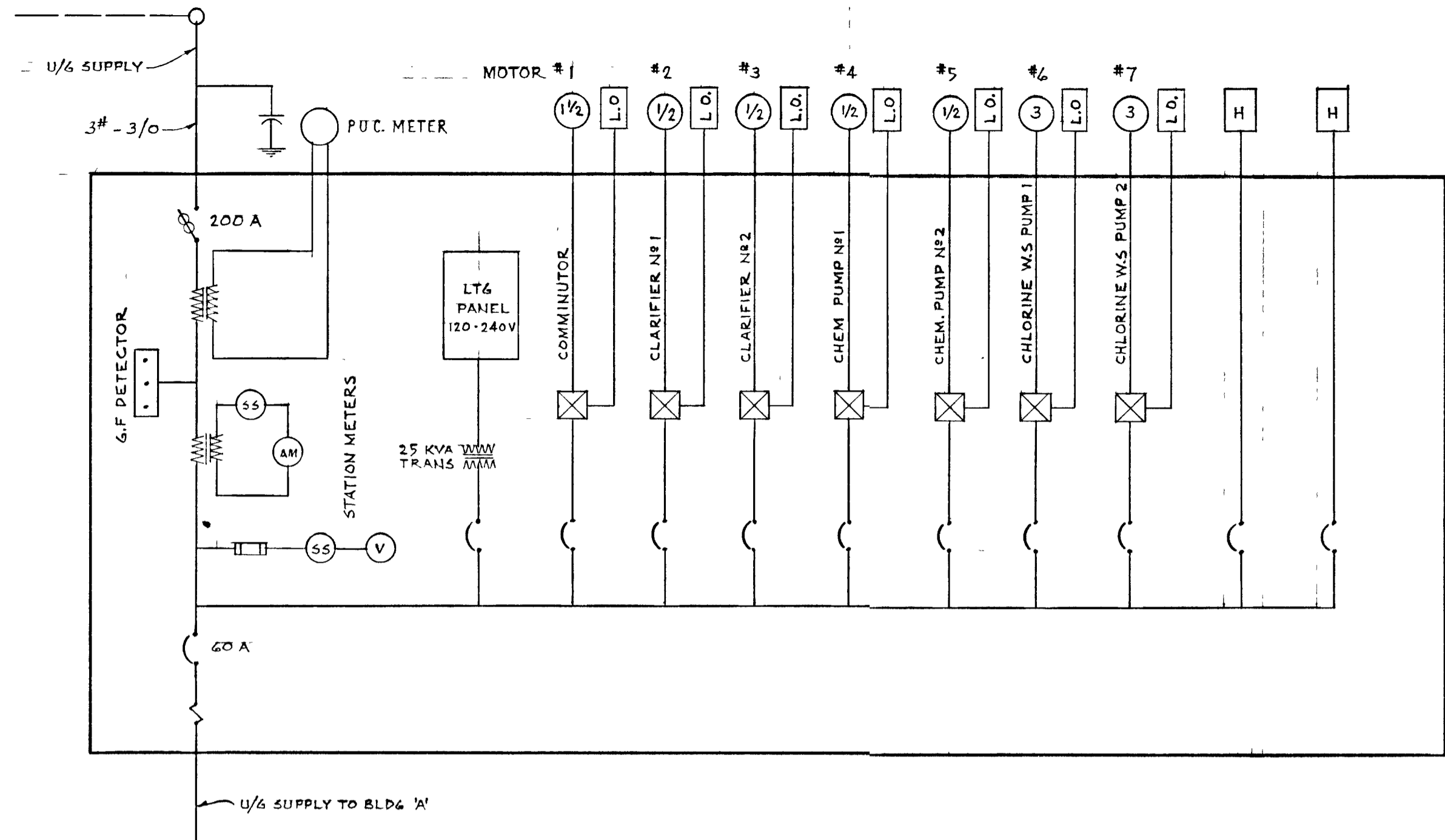


GREATER NAPANEE WATER SUPPLY & POLLUTION CONTROL BOARD 75 EAST STREET, NAPANEE, ONTARIO K7R 1S8 (613) 354-9338 FAX (613) 354-2836			
PROJECT 955 MISCELLANEOUS METALS			
WATER POLLUTION CONTROL PLANT			
APPROVED BY		SPECIFICATIONS	
DESIGNED BY	DATE	SCALE	
	JUNE 1976	AS SHOWN	
DRAWN BY	DWG NO WPCP-1976/1-MISC-NO 9/19		

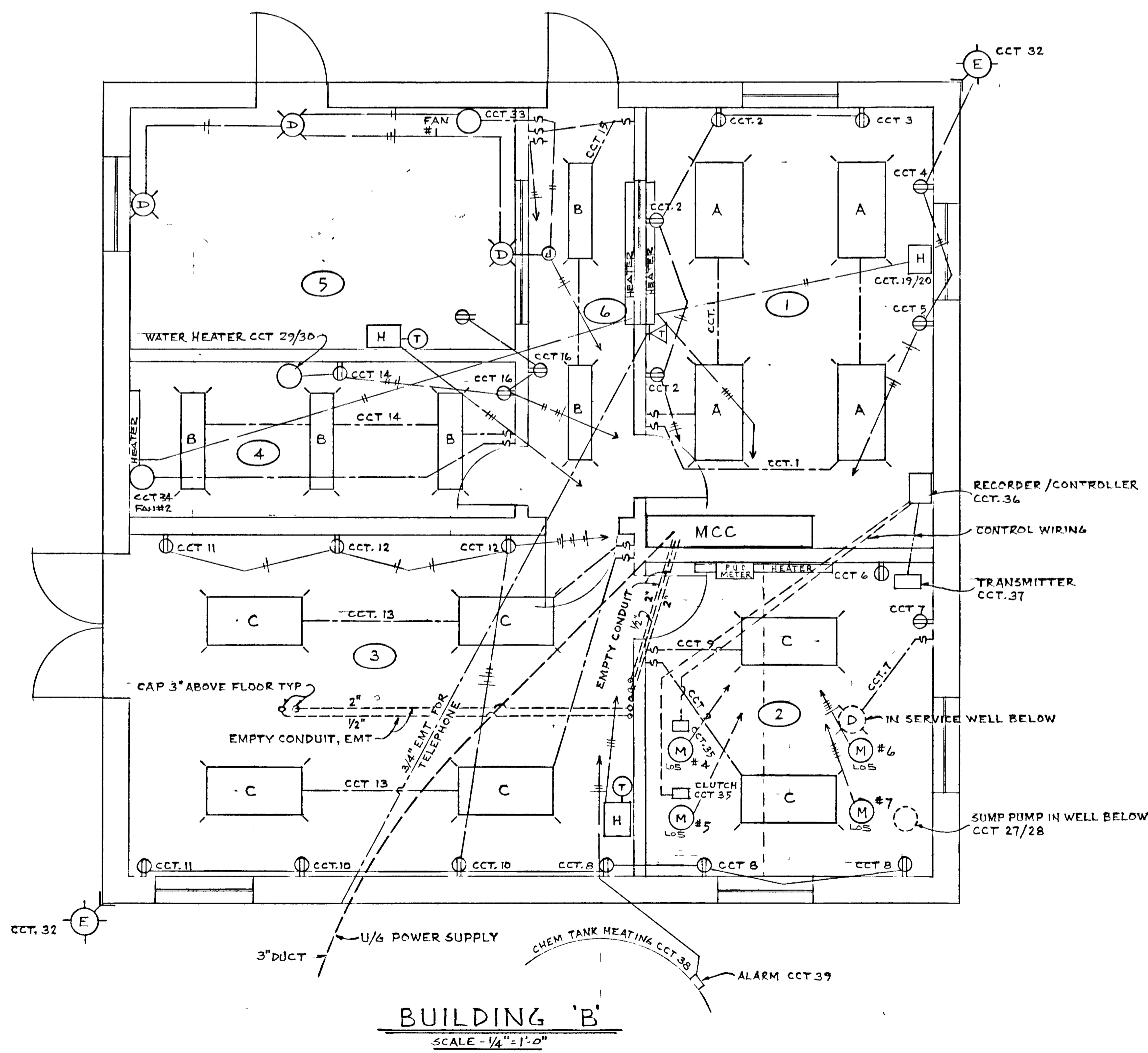
TOWN OF NAPANEE FOR			
NAPANEE AREA WATER SUPPLY & POLLUTION CONTROL BOARD			
WATER POLLUTION CONTROL PLANT			
MISCELLANEOUS METALS			
J. D. LEE ENGINEERING LIMITED			
CONSULTING ENGINEERS - KINGSTON BRANTFORD, ONT.			
EPT	AS BUILT	TL	DWN
DATE	REVISION	CHK	QUANT
SCALE	AS SHOWN	JOB NO	955
DWG NO	1158 C	DATE	22/06/76
SHEET	D2	REVISION	0



SITE PLAN
SCALE - 1" = 20'



MOTOR CONTROL CENTER



BUILDING 'B'
SCALE - 1/4" = 1'-0"

LEGEND

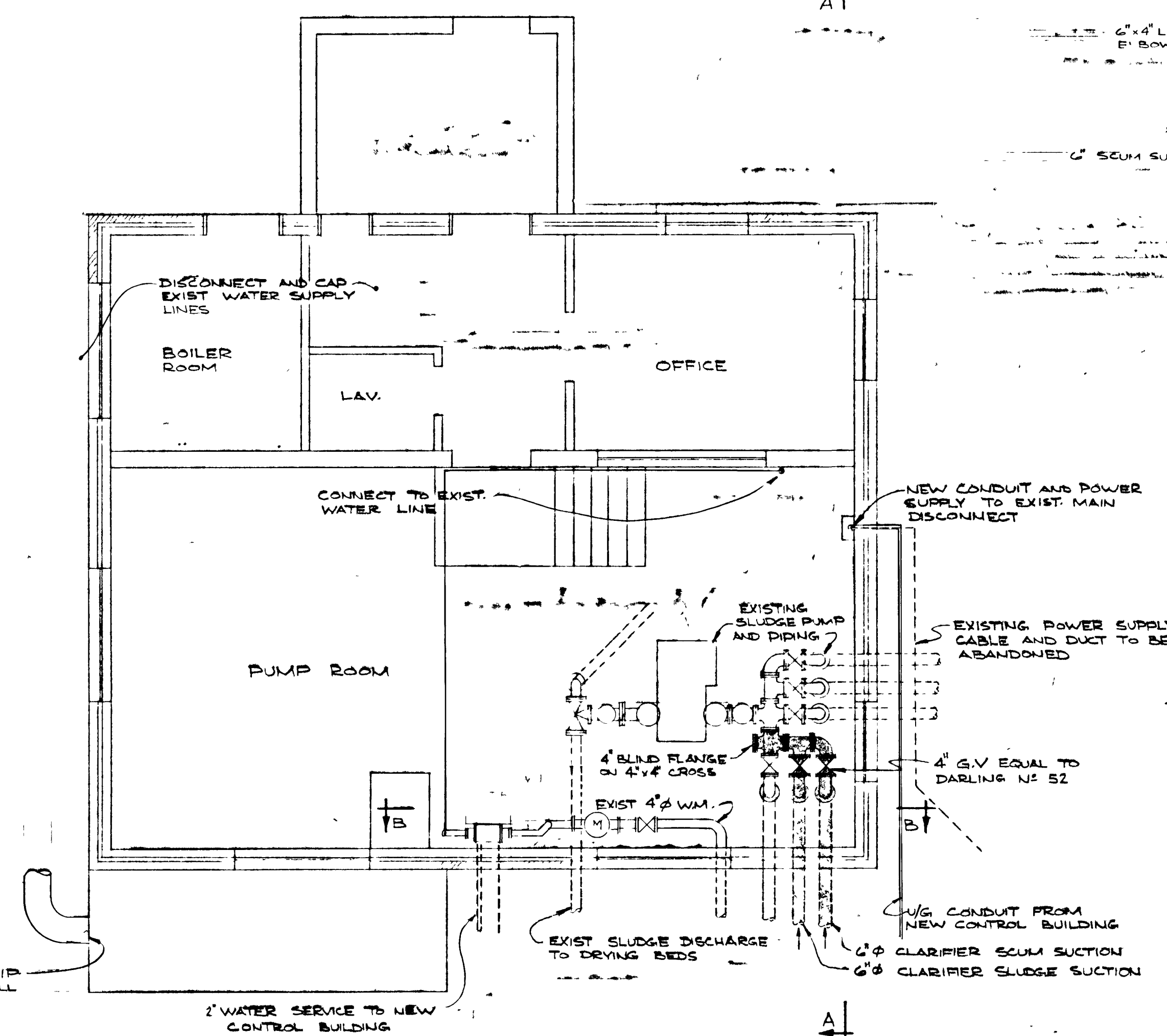
- LIGHTNING ARRESTER
- GROUND
- MAIN DISCONNECT
- TRANSFORMER
- FUSE
- CIRCUIT BREAKER
- OVERLOAD
- MAGNETIC STARTER
- LOCKOUT
- MOTOR # OR REF. NO. OR MOTOR H.P. # OR REF. NO.
- LIGHT FIXTURE
- SELECTOR SWITCH
- AMMETER
- VOLTMETER
- HEATER
- THERMOSTAT
- DUPLEX OUTLET
- TELEPHONE
- SWITCH
- FUSIBLE DISCONNECT



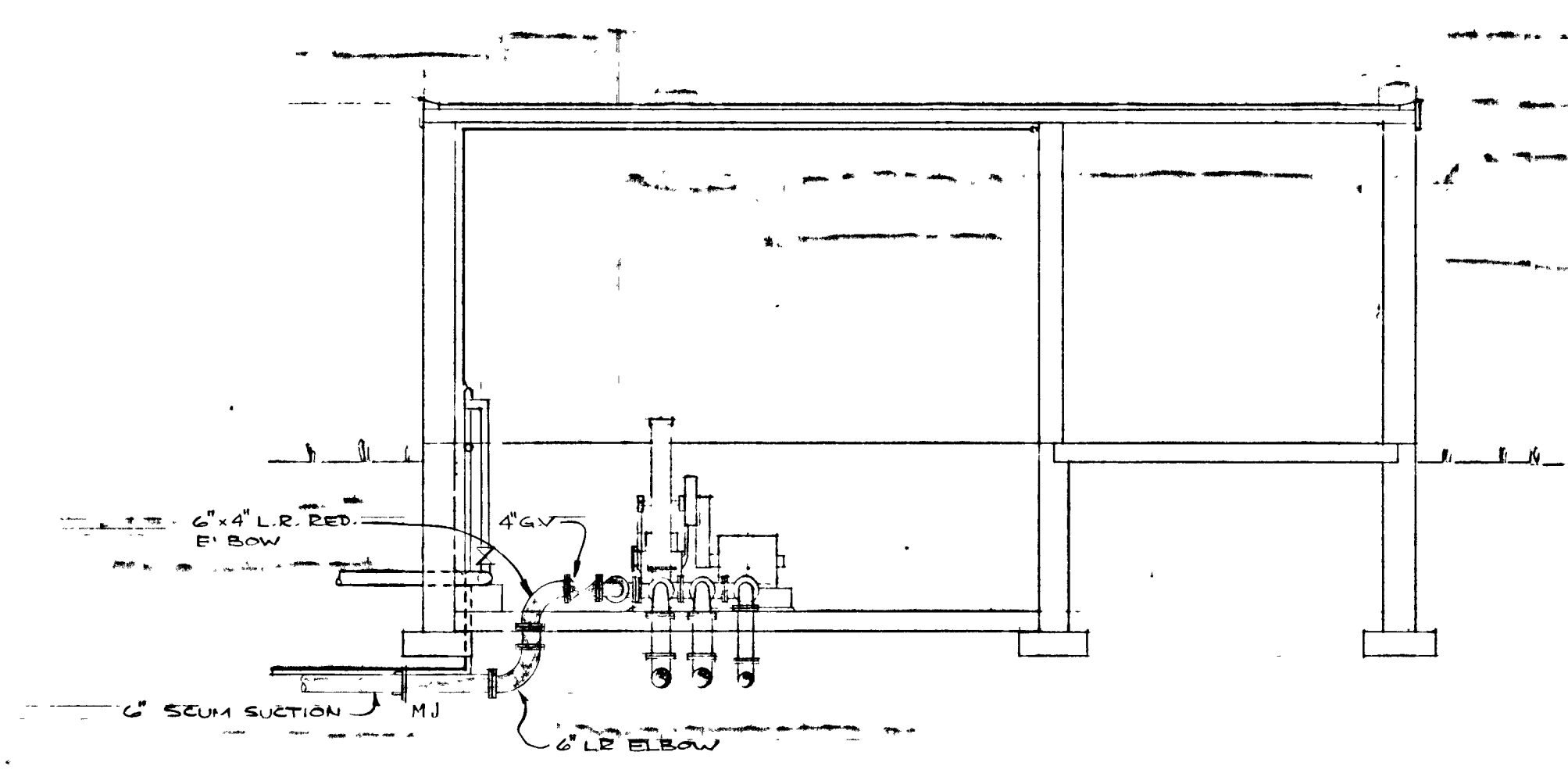
WPCP 037

<p>GREATER NAPANEE WATER SUPPLY & POLLUTION CONTROL BOARD 75 EAST STREET, NAPANEE, ONTARIO K7R 1S3 (613) 954-9338 FAX (613) 954-2836</p>			
PROJECT 955 ELECTRICAL			
WATER POLLUTION CONTROL PLANT			
APPROVED BY	DATE	SPECIFICATIONS	
DESIGNED BY	DATE	SCALE	
DRAWN BY	DWG NO		
		JUNE 1976 AS SHOWN	
		WPCP-1976/1-ELEC-NO 10/17	

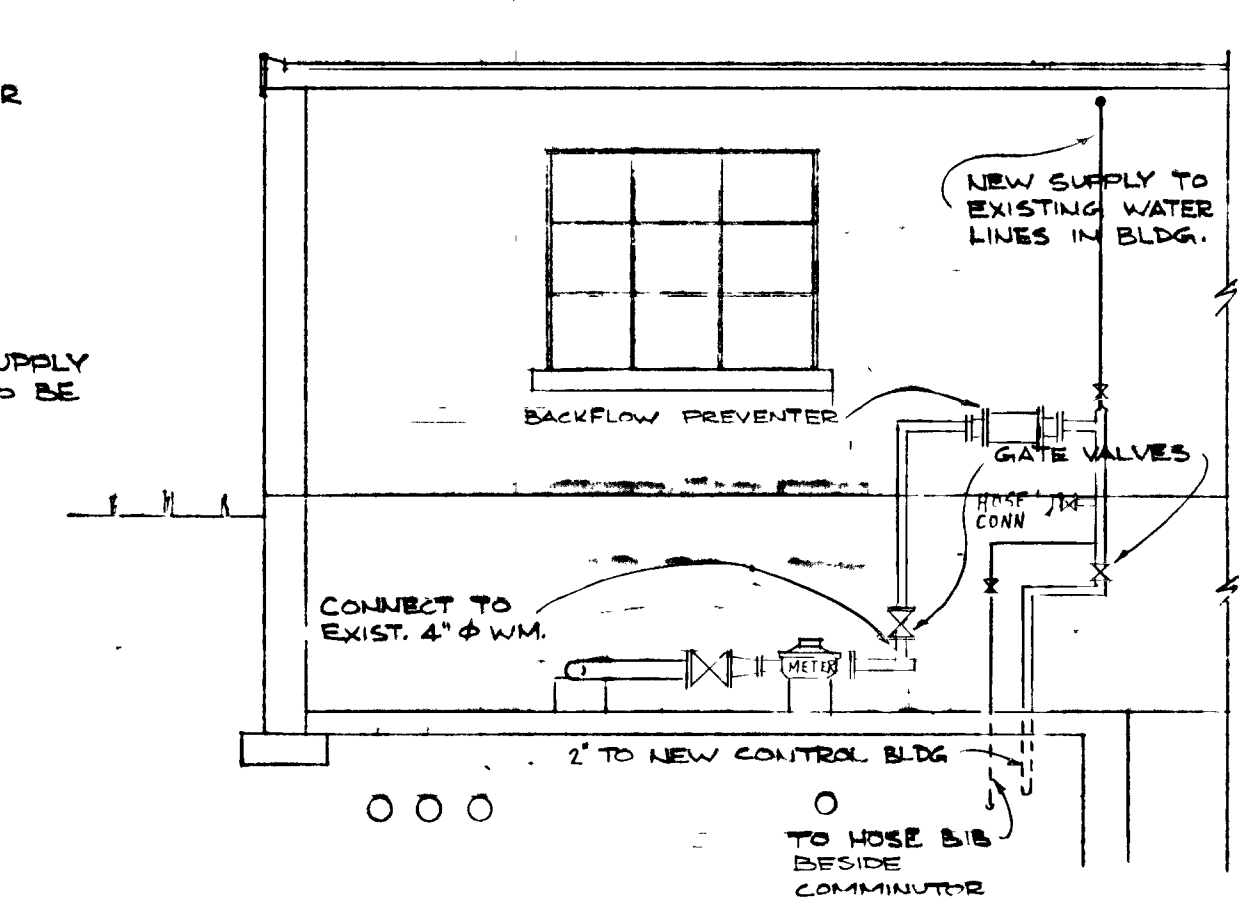
TOWN OF NAPANEE FOR			
NAPANEE AREA WATER SUPPLY & POLLUTION CONTROL BOARD			
WATER POLLUTION CONTROL PLANT			
ELECTRICAL			
J. D. LEE ENGINEERING LIMITED			
CONSULTING ENGINEERS - KINGSTON BRANTFORD, ONT.			
DATE	REVISION	CHK	QUANT
AS BUILT	DESIGN	DL	11
AS SHOWN	DWN	1/2	
1158 C			
JOB NO	DATE	SHEET	REVISION
955	22/06/76	E1	2



PLAN
1/4" = 1'-0"



SECTION A-A
1/4" = 1'-0"



SECTION B-B
1/4" = 1'-0"

NOTE:

- 1 - ALL SLUDGE PIPING AND FITTINGS TO BE CAST IRON OR DUCTILE IRON AND SHALL CONFORM WITH SECTION 15A (SPEC) JOINT PATTERN TO BE FLANGED IN BUILDING EXCEPT AS NOTED
- 2 - POTABLE WATER PIPING, FITTINGS AND VALVES TO CONFORM WITH SPECIFICATIONS.

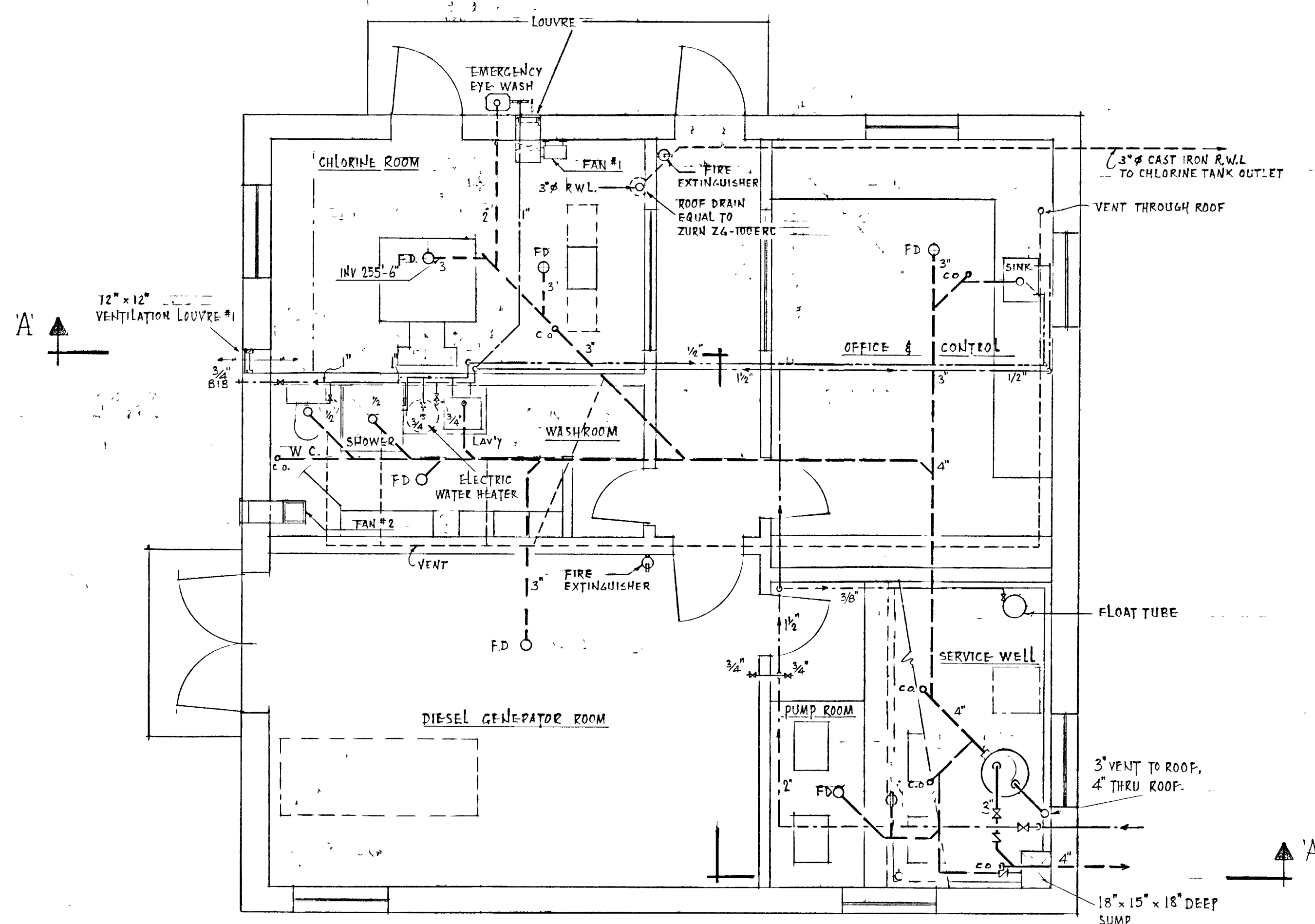


GREATER NAPANEE WATER SUPPLY & POLLUTION CONTROL BOARD 75 EAST STREET, NAPANEE, ONTARIO K7R 1S3 (613) 354-9338 FAX (613) 354-2838			
PROJECT 955 EXISTING CONTROL BUILDING			
WATER POLLUTION CONTROL PLANT			
APPROVED BY	SPECIFICATIONS		
DESIGNED BY	DATE JUNE 1976	SCALE AS SHOWN	
DRAWN BY	DWG NO WPCP-1976/1-MECH- No 11/19		

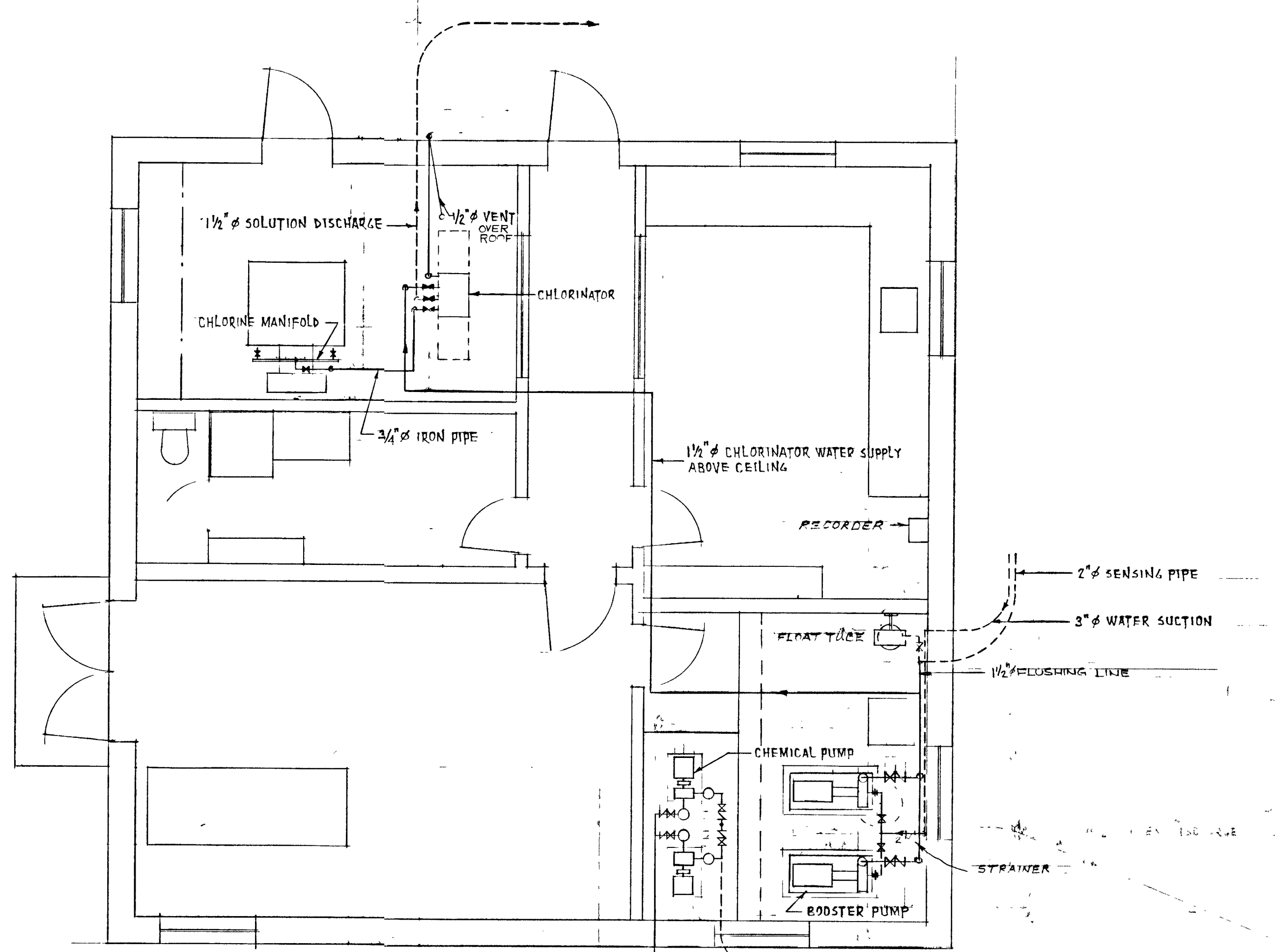
THIS DRAWING IS APPROVED FOR INSTRUCTION PURPOSES
 Date *Oct 4/76* Job No 955
 J. D. LEE ENGINEERING LIMITED



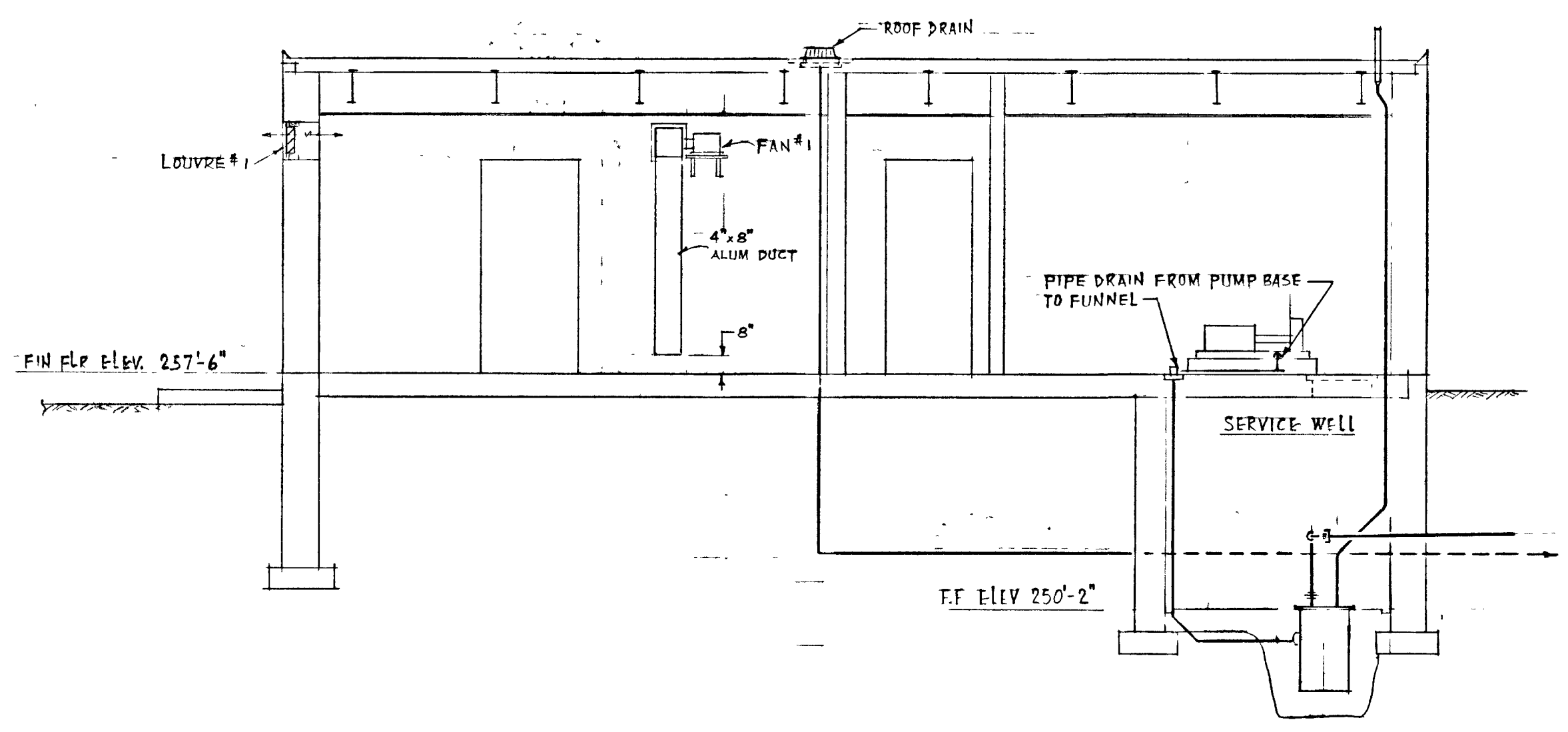
TOWN OF NAPANEE FOR								
NAPANEE AREA WATER SUPPLY & POLLUTION CONTROL BOARD								
WATER POLLUTION CONTROL PLANT								
EXISTING CONTROL BUILDING								
J. D. LEE ENGINEERING LIMITED CONSULTING ENGINEERS - KINGSTON BRANTFORD, ONT.								
2	SEPT/78	AS BUILT	TLK	DESIGN	1/1	SCALE	JOB NO.	DATE
1	SEPT/76	SECTION B-B (NOTE 1)	DWN.	1/1	1/1	AS SHOWN	955	22/06/76
DATE	REVISION	CHK	QUANT	DWG NO.	SHEET	REVISION		
				1158 C	M1	2		



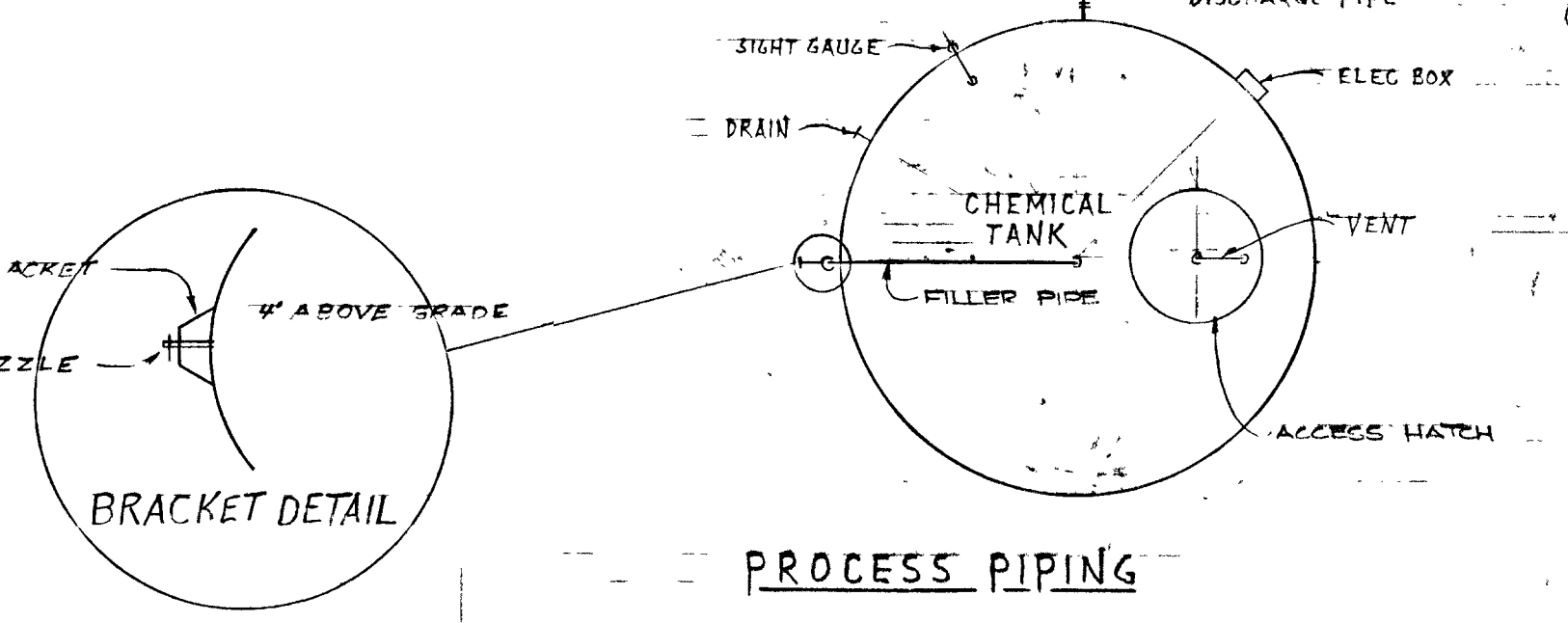
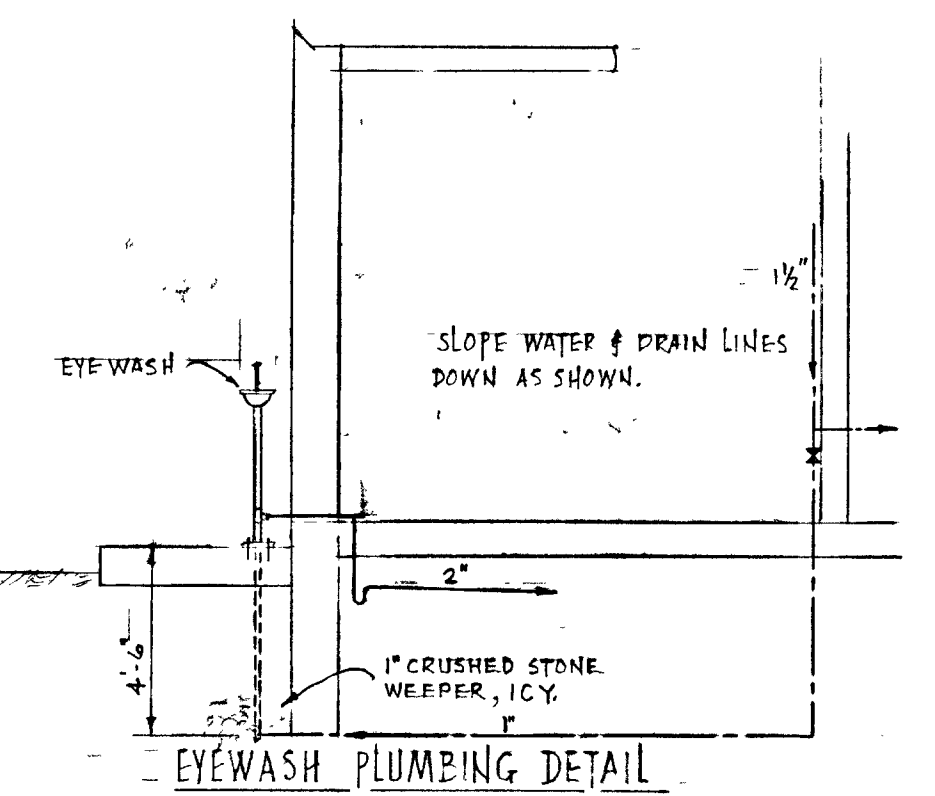
PLAN



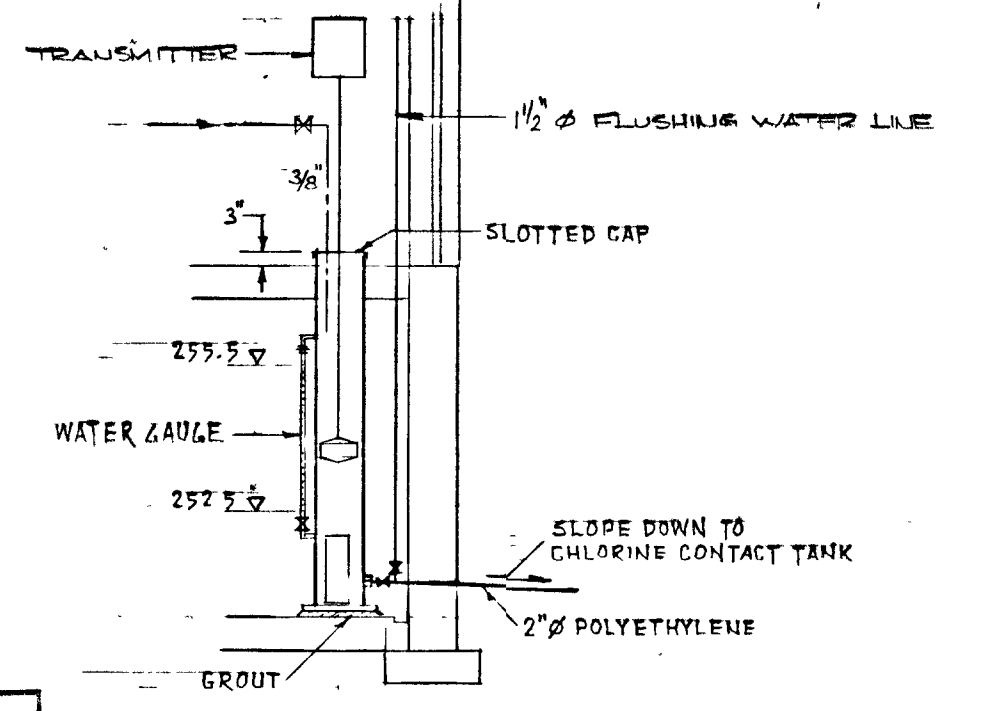
PROCESS PIPING



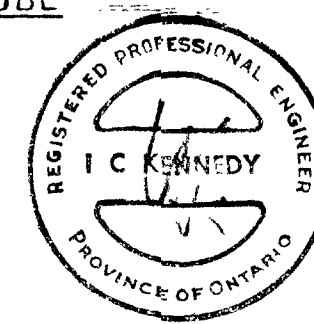
SECTION 'A-A'



FLOAT TUBE

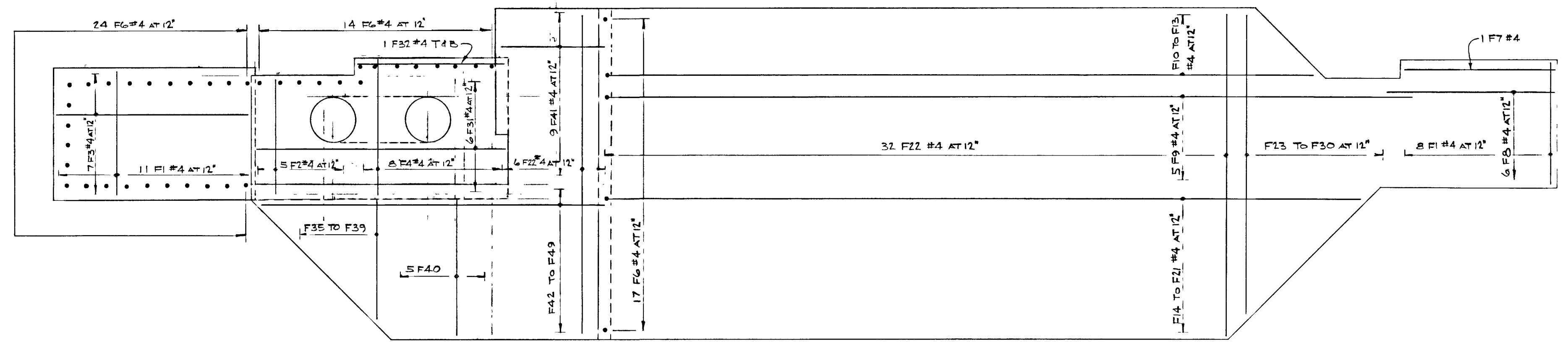


THIS DRAWING IS APPROVED FOR CONSTRUCTION PURPOSES
 By *[Signature]* Date *07/96* Job No *955*
 J. D. LEE ENGINEERING LIMITED

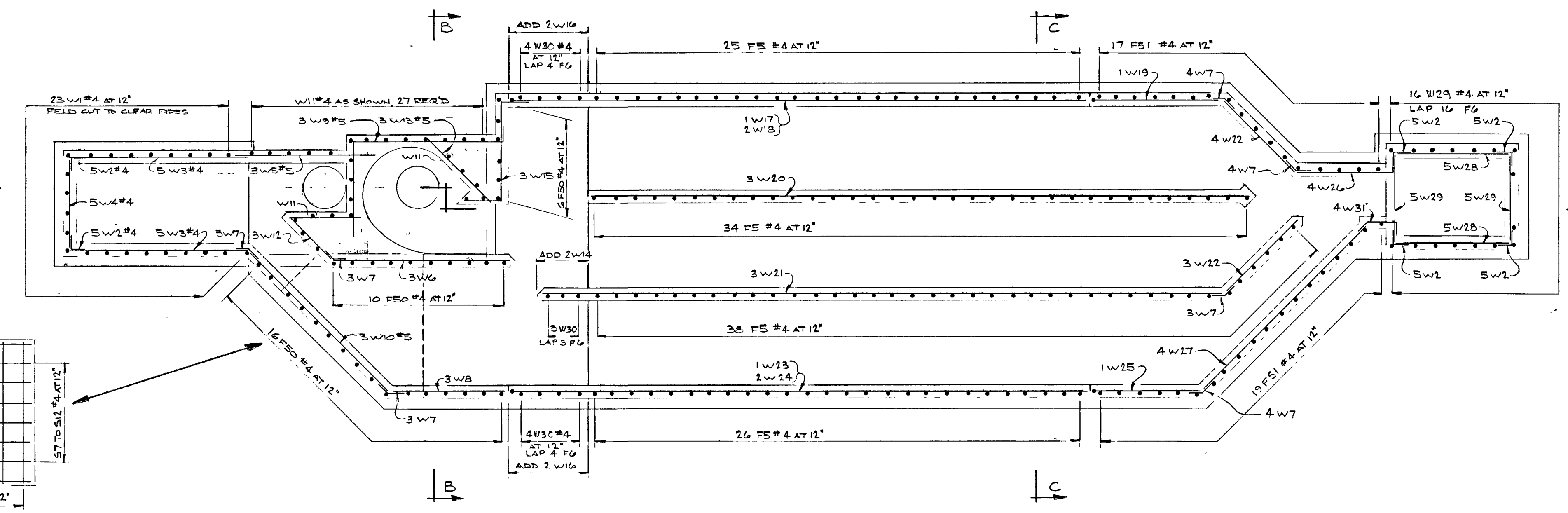


WPCP 039

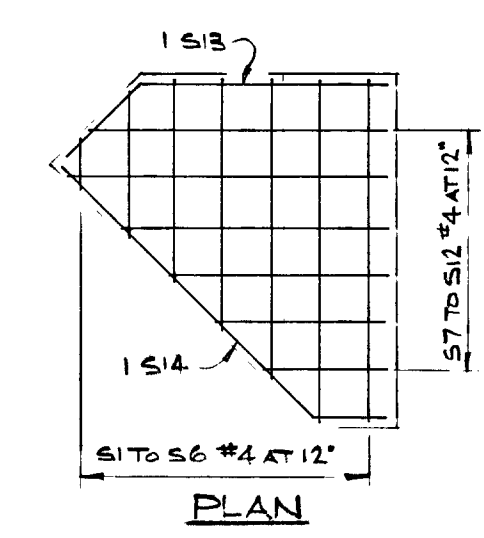
GREATER NAPANEE WATER SUPPLY & POLLUTION CONTROL BOARD 76 EAST STREET, NAPANEE, ONTARIO K7R 1S3 (813) 354-8338 FAX (813) 354-2838					
PROJECT <i>355 PLUMBING & VENTILATING</i> WATER POLLUTION CONTROL PLANT					
APPROVED BY			SPECIFICATIONS		
DESIGNED BY	DATE	SCALE			
	<i>JUNE 1976</i>	<i>A3 3/4" DOWN</i>			
DRAWN BY	DWG NO				
	<i>WPCP-1976/1-MECH-NO 12/19</i>				
TOWN OF NAPANEE FOR					
NAPANEE AREA WATER SUPPLY & POLLUTION CONTROL BOARD					
WATER POLLUTION CONTROL PLANT					
PLUMBING AND VENTILATING					
J. D. LEE ENGINEERING LIMITED					
CONSULTING ENGINEERS - KINGSTON BRANTFORD, ONT					
DEPT	AS BUILT	DESIGN	SCALE	JOB NO	DATE
8/76		DWN	1/4" = 1'-0"	955	22/06/76
DATE	REVISION	CHK	QUANT	DWG. NO	SHEET
				1158 C	M2
					2



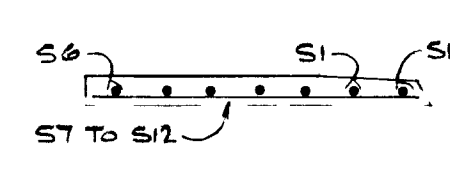
FOOTING PLAN AT ELEV. 262.00



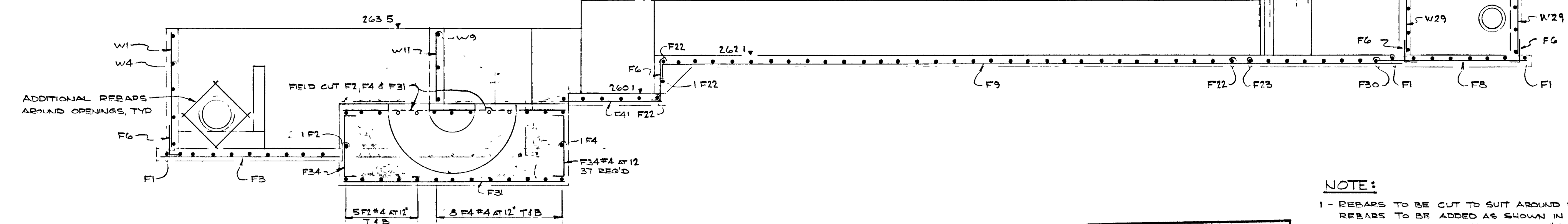
WALL PLAN



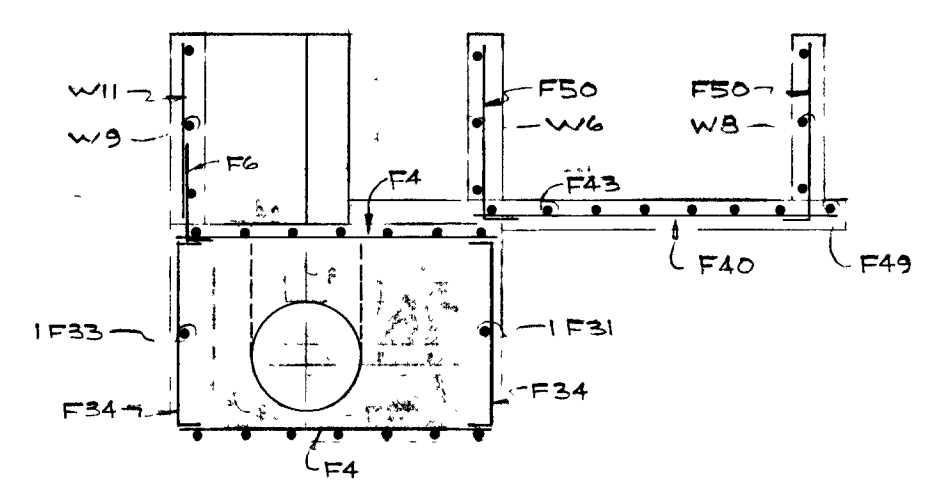
PLAN



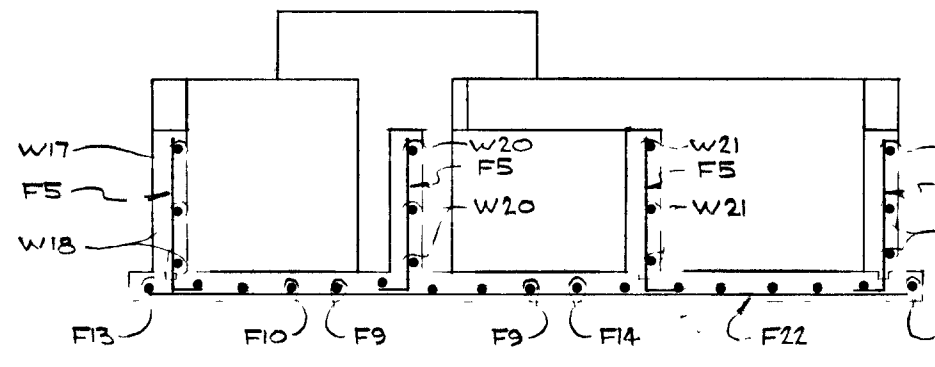
SECTION



SECTION A-A



SECTION B-B



SECTION C-C

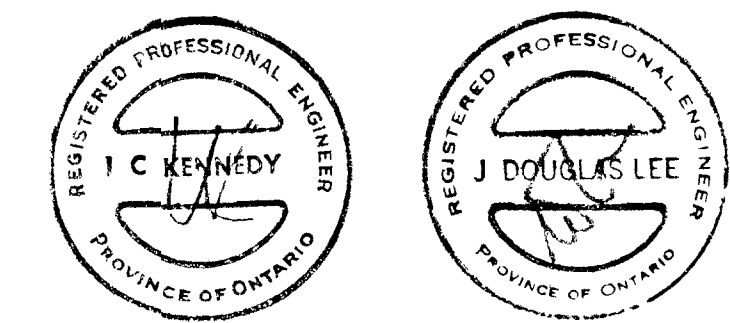


WPCP 040

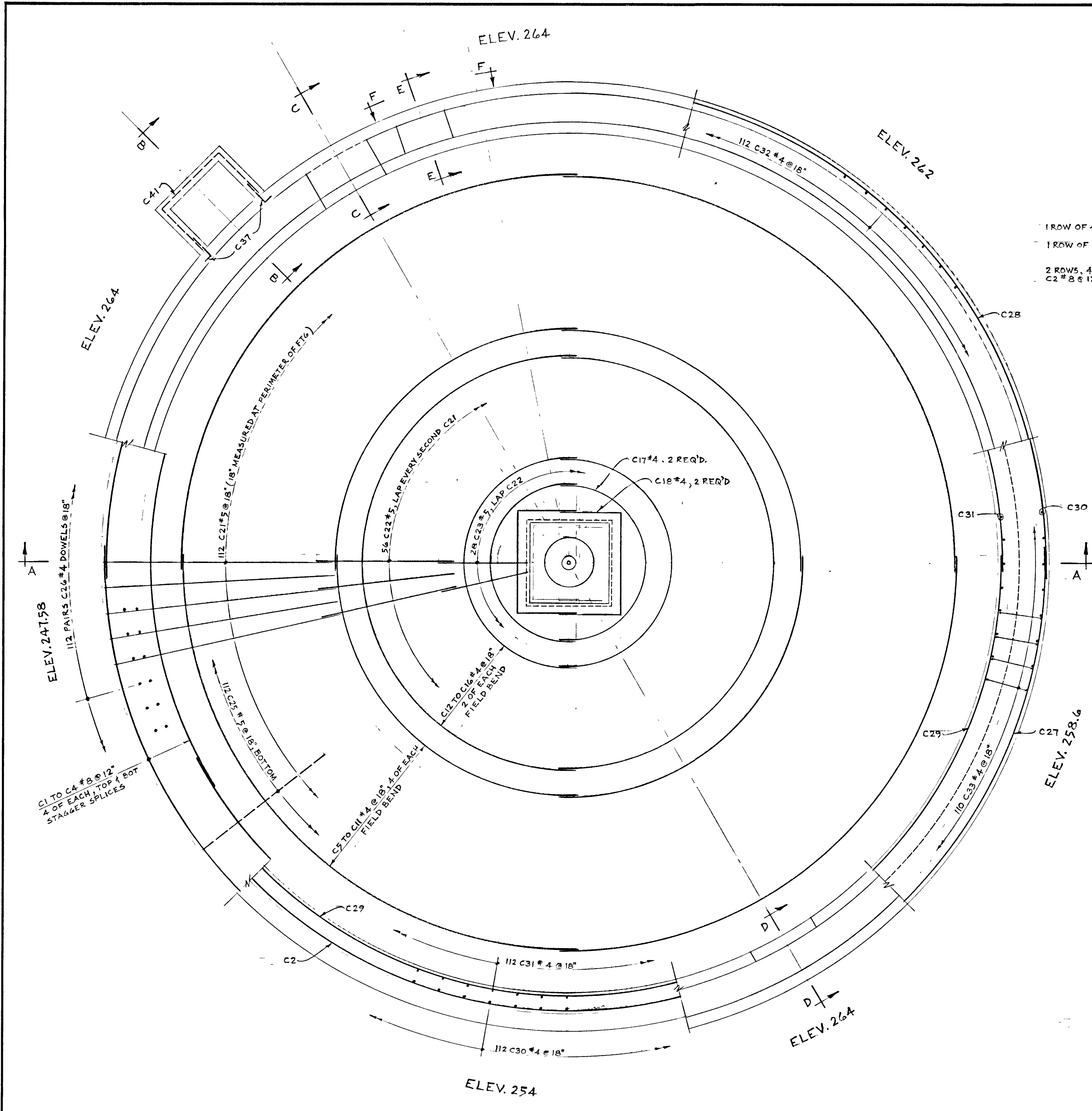
GREATER NAPANEE WATER SUPPLY & POLLUTION CONTROL BOARD 75 EAST STREET, NAPANEE, ONTARIO, N7B 1S3 (613) 364-8838 FAX (613) 354-2338	
PROJECT	955 GRIT TANK - REINFORCING
APPROVED BY	DESIGNED BY
DATE	SCALE
DWG NO	DRAWN BY

NOTE:
1 - REBARS TO BE CUT TO SUIT AROUND PIPES AND ADDITIONAL REBARS TO BE ADDED AS SHOWN IN SECTION A-A, ALLOW TOTAL LENGTH EXTRA OF #4 REBARS OF 90!

THIS DRAWING IS APPROVED FOR CONSTRUCTION PURPOSES
Date 02/14/06 Job No 955
J D LEE ENGINEERING LIMITED



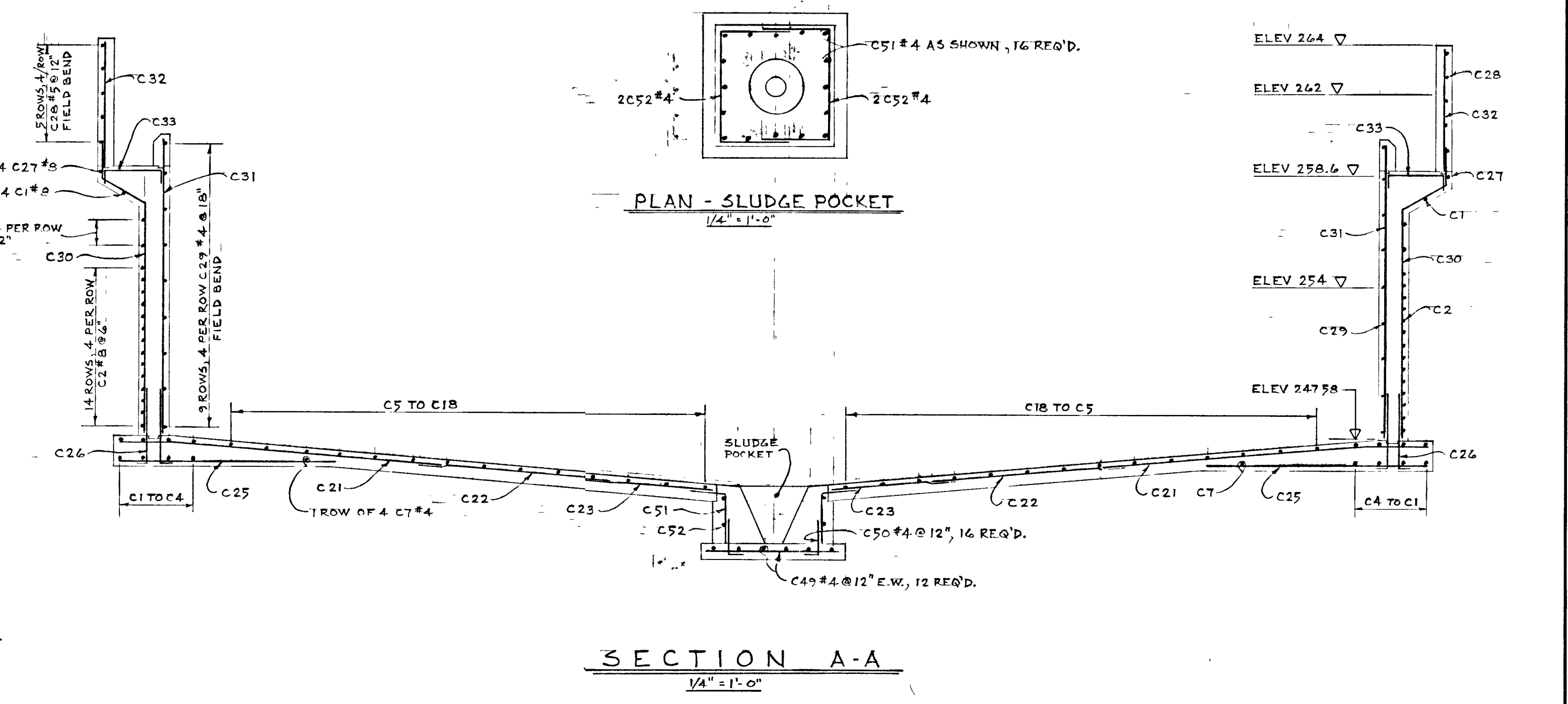
TOWN OF NAPANEE FOR	
NAPANEE AREA WATER SUPPLY & POLLUTION CONTROL BOARD	
WATER POLLUTION CONTROL PLANT	
GRIT TANK — REINFORCING	
J. D. LEE ENGINEERING LIMITED CONSULTING ENGINEERS — KINGSTON BRANTFORD, ONT.	
EPT/75	AS BUILT
DATE	REVISION
CHK	QUANT
SCALE	1/4" = 1'-0"
JOB NO	955
DATE	22/06/76
DWG NO.	1158 C
SHEET	51
REVISION	1



PLAN
1/4" = 1'-0"

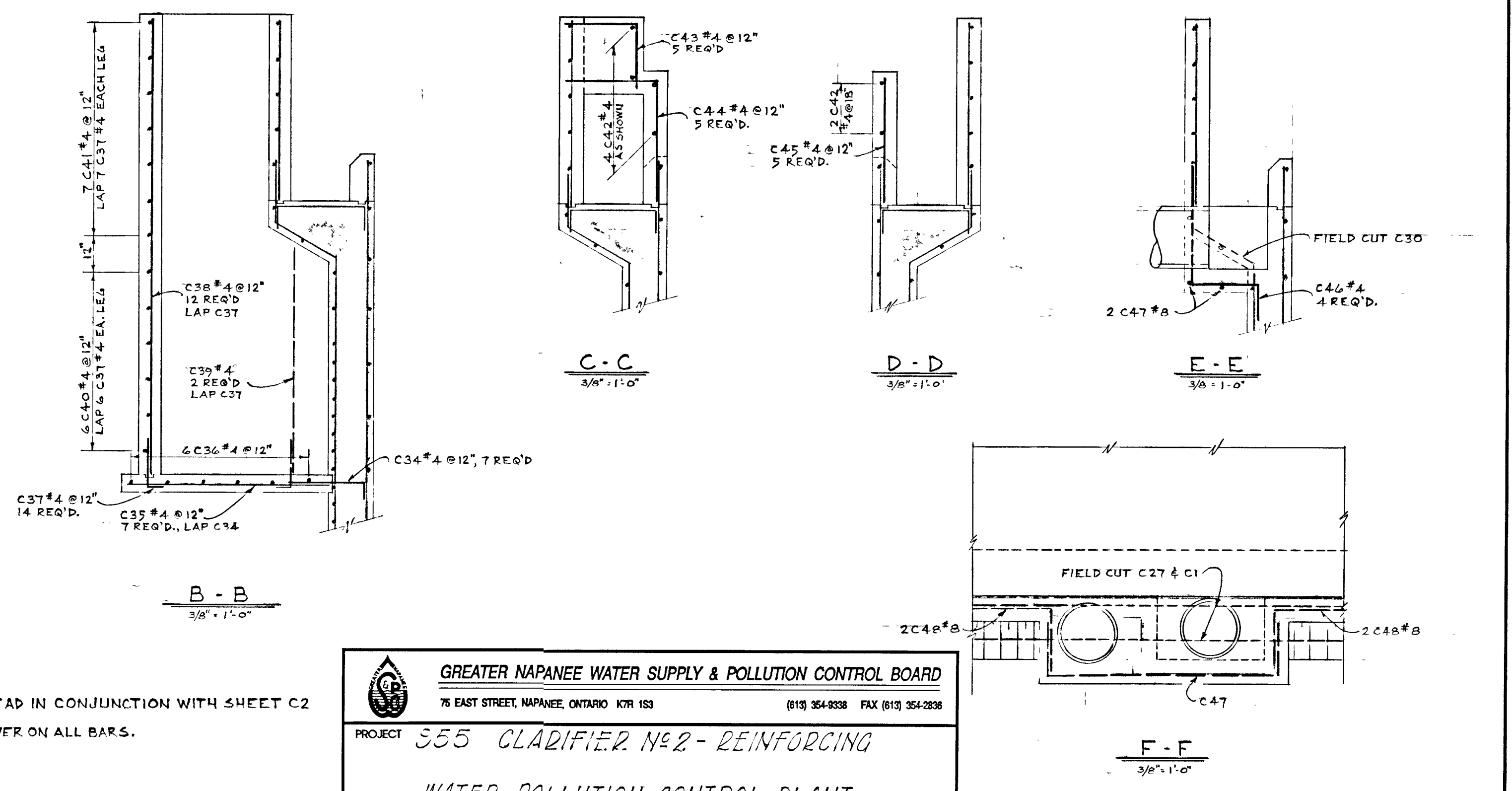
NOTES:

- 1) THIS DWG. TO BE READ IN CONJUNCTION WITH SHEET C2
- 2) PROVIDE 2" MIN. COVER ON ALL BARS.
- 3)



PLAN - SLUDGE POCKET
1/4" = 1'-0"

SECTION A-A
1/4" = 1'-0"



B - B
3/8" = 1'-0"

C - C
3/8" = 1'-0"

D - D
3/8" = 1'-0"

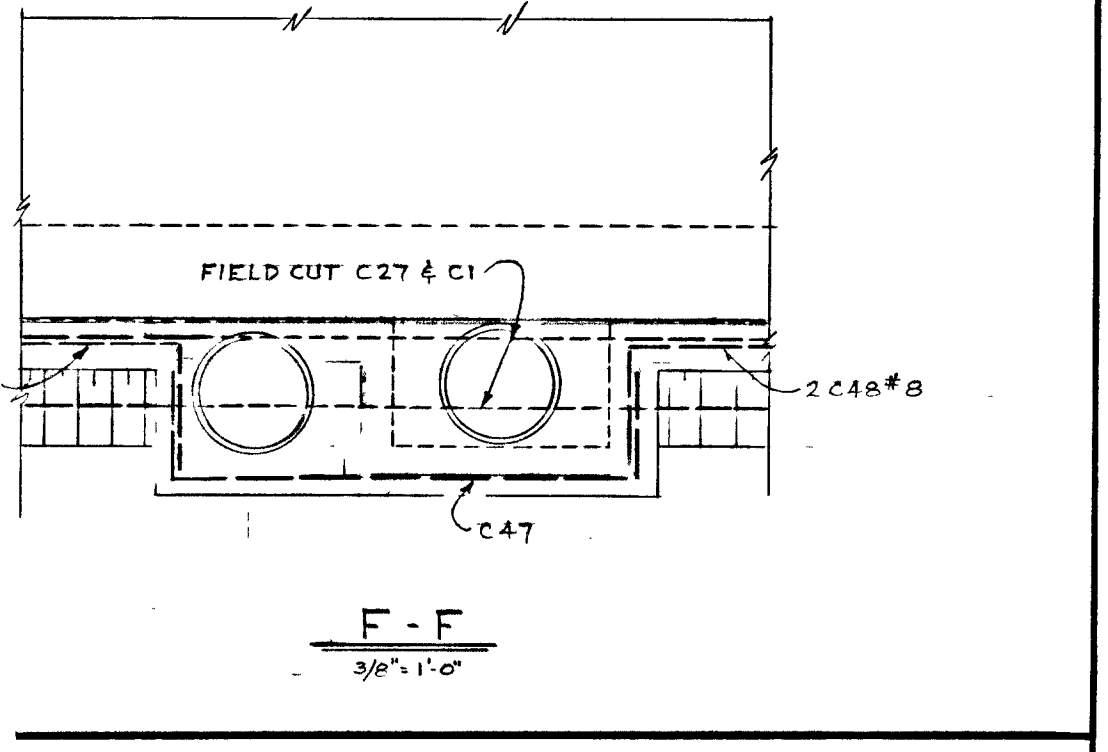
E - E
3/8" = 1'-0"

F - F
3/8" = 1'-0"

GREATER NAPANEE WATER SUPPLY & POLLUTION CONTROL BOARD
75 EAST STREET, NAPANEE, ONTARIO K0R 1S3 (613) 354-2338 FAX (613) 354-2338

PROJECT: 355 CLARIFIER NO. 2 - REINFORCING
WATER POLLUTION CONTROL PLANT

APPROVED BY: _____ SPECIFICATIONS: _____
DESIGNED BY: _____ DATE: JUNE 1976 SCALE: AS SHOWN
DRAWN BY: _____ DWG NO: W.D.C.P.-1976/1-STR-NO 14/19

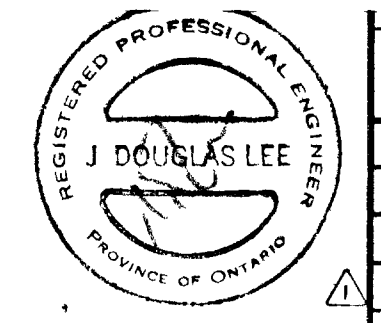


TOWN OF NAPANEE
FOR
NAPANEE AREA WATER SUPPLY & POLLUTION CONTROL BOARD
WATER POLLUTION CONTROL PLANT

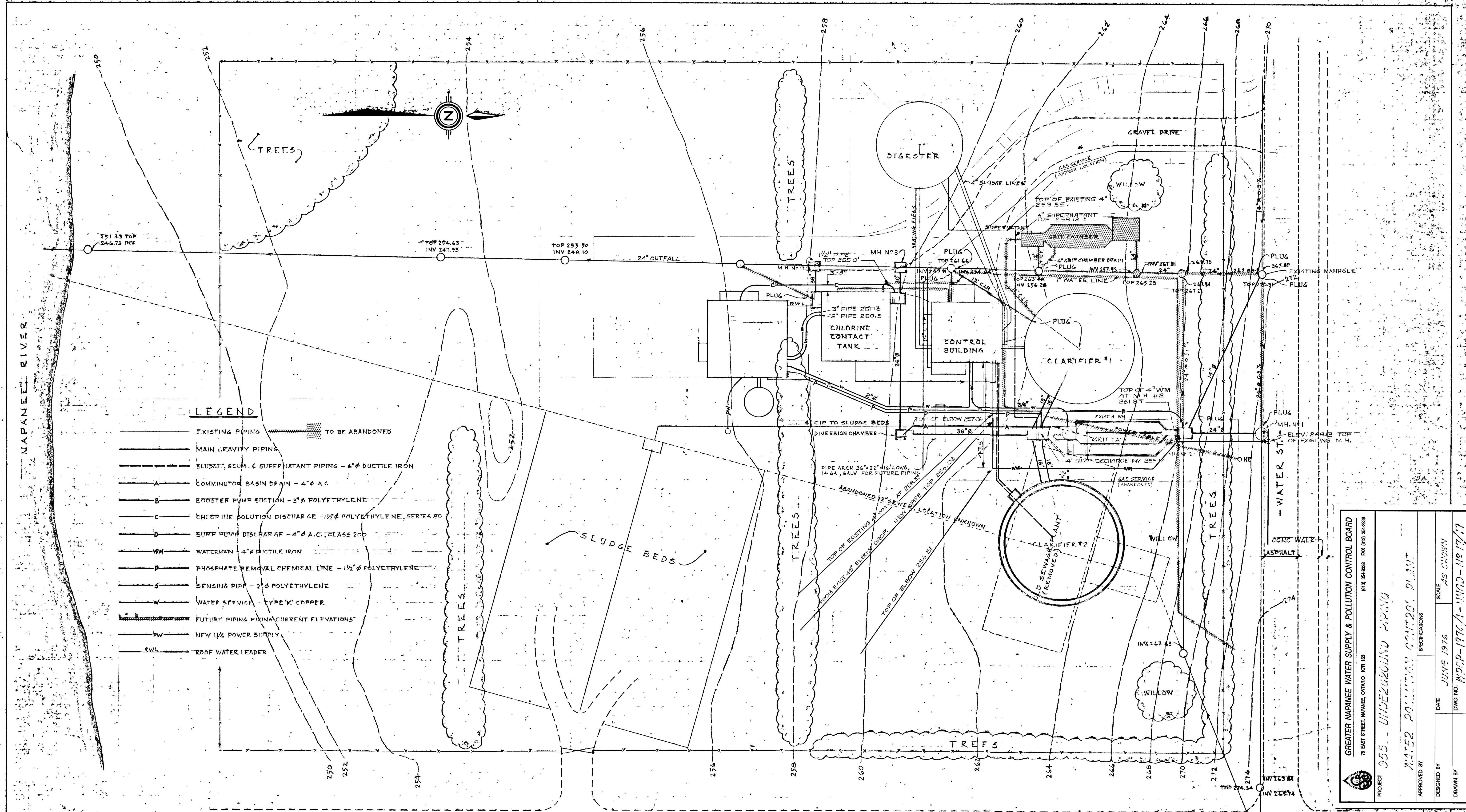


WPCP
041

THIS DRAWING IS APPROVED FOR CONSTRUCTION PURPOSES
By: _____ Date: 6/14/76 Job No: 955
J. D. LEE ENGINEERING LIMITED



CLARIFIER NO. 2 REINFORCING					
J. D. LEE ENGINEERING LIMITED CONSULTING ENGINEERS - KINGSTON BRANTFORD, ONT.					
EPT/76	AS BUILT	LD	DESIGN	SCALE	JOB NO. 955
EPT/76	SLUDGE POCKET, SEC. F	LD	DWN	AS SHOWN	DATE 22/06/76
DATE	REVISION	CHK	QUANT	DWG NO. 1158 C	SHEET S2
					REVISION 1



LEGEND

	EXISTING PIPING TO BE ABANDONED
	MAIN GRAVITY PIPING
	SLUDGE, SCUM, & SUPERNATANT PIPING - 6" DUCTILE IRON
	COMMUNUTOR BASIN DRAIN - 4" A.C.
	BOOSTER PUMP SECTION - 3" POLYETHYLENE
	CHLORINE SOLUTION DISCHARGE - 1/2" POLYETHYLENE, SERIES 80
	SUMP PUMP DISCHARGE - 4" A.C., CLASS 200
	WATERMAIN - 4" DUCTILE IRON
	PHOSPHATE REMOVAL CHEMICAL LINE - 1/2" POLYETHYLENE
	SENSING PIPE - 2" POLYETHYLENE
	WATER SERVICE - TYPE K COPPER
	FUTURE PIPING (FIXING CURRENT ELEVATIONS)
	NEW 1/2" POWER SUPPLY
	ROOF WATER LEADER

GREATER NAPANEE WATER SUPPLY & POLLUTION CONTROL BOARD
 75 EAST STREET, NAPANEE, ONTARIO M7N 1S5
 (919) 364-9338 FAX (919) 364-2828

PROJECT: 955 - UNDERGROUND PIPING

APPROVED BY: WATER POLLUTION CONTROL BOARD

DESIGNED BY: J. D. LEE

DATE: JUNE 1976

SCALE: AS SHOWN

DWG NO. WPCP-1976-1

DRAWN BY: J. D. LEE

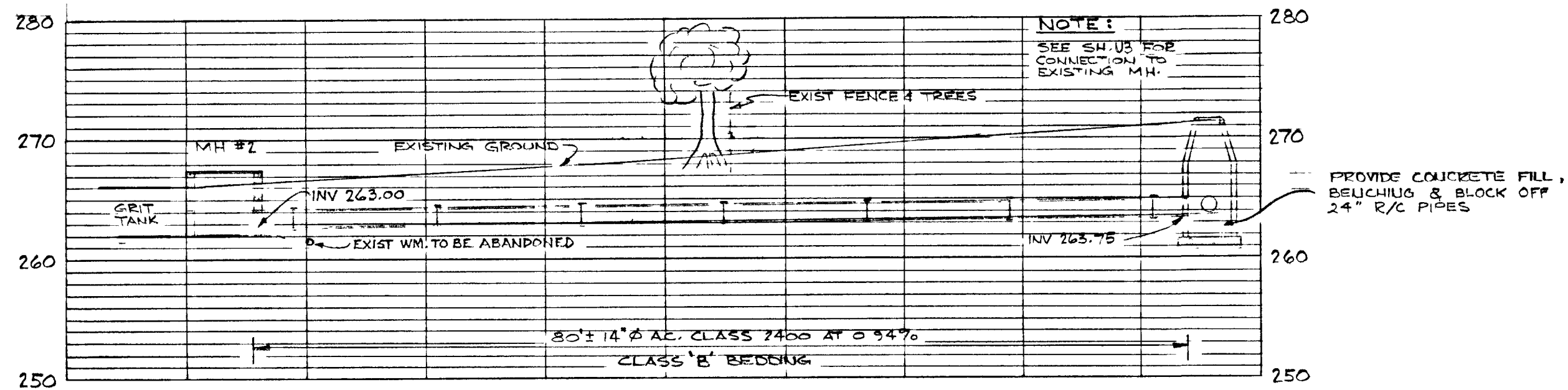
NOTE: 1) READ IN CONJUNCTION WITH DETAILS, PROFILES & OTHER DWGS.
 2) TOPOGRAPHY SHOWN IS THAT BEFORE CONSTRUCTION

THIS DRAWING IS APPROVED
 FOR CONSTRUCTION PURPOSES
 Date: Oct 1976 Job No: 955
 J. D. LEE ENGINEERING LIMITED

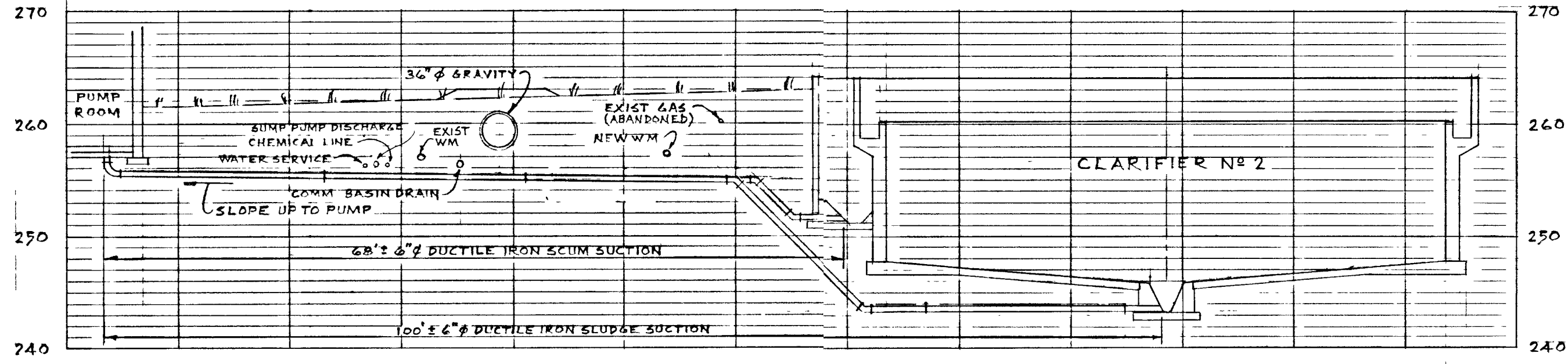
WARNING
 CONTRACTOR TO CHECK, VERIFY, AND BE RESPONSIBLE FOR ALL UNDERGROUND SERVICES STRUCTURES AND UTILITIES.



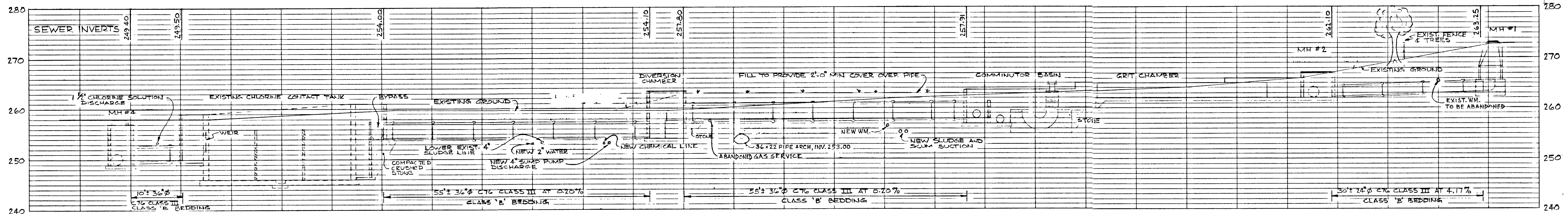
TOWN OF NAPANEE FOR					
NAPANEE AREA WATER SUPPLY & POLLUTION CONTROL BOARD					
WATER POLLUTION CONTROL PLANT					
UNDERGROUND PIPING					
J. D. LEE ENGINEERING LIMITED CONSULTING ENGINEERS - KINGSTON, BRANTFORD, ONT.					
SEPT/78	AS BUILT	TLK	DESIGN	SCALE: 1" = 20'	JOB NO. 955
SEPT/78	WATERMAIN & GAS	TLK	DWG.	DWG. NO. 1158C	DATE: 22/06/78
DATE	REVISION	CHK	QUANT	SHEET: UI	REVISION: 2



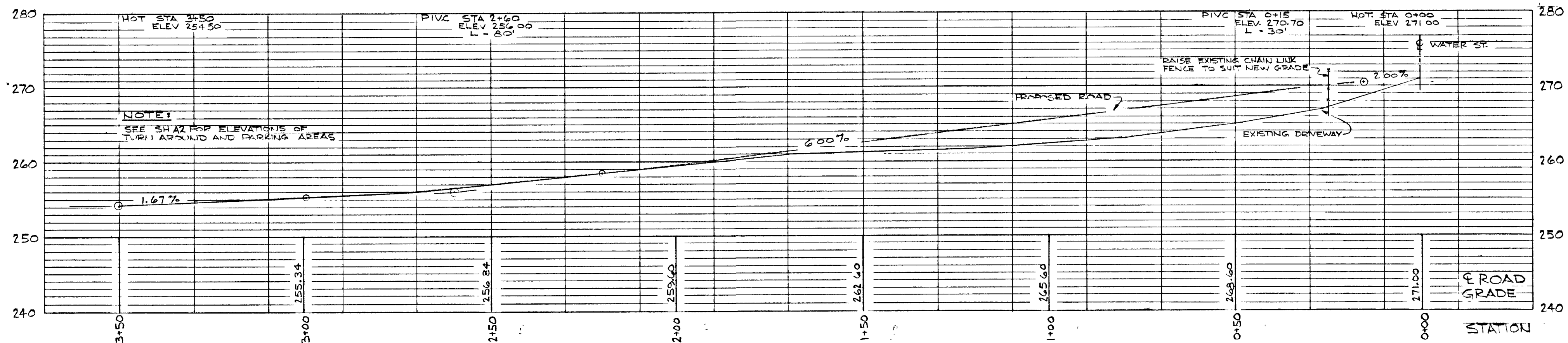
EXISTING MANHOLE TO MANHOLE N^o 2
 HORIZ. 1"=10'
 VERT. 1"=10'



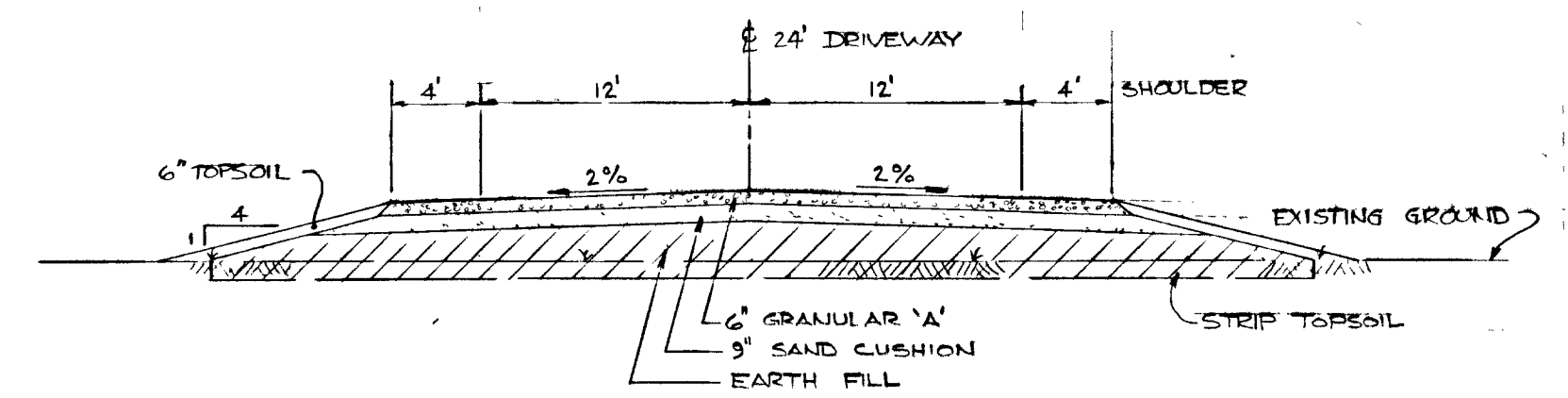
SLUDGE & SCUM PIPING
 HORIZ. 1"=10'
 VERT. 1"=10'



MANHOLE N^o 1 TO MANHOLE N^o 4
 HORIZ. 1"=10'
 VERT. 1"=10'



DRIVEWAY
 HORIZ. 1"=20'
 VERT. 1"=10'



TYPICAL ROAD CROSS SECTION
 1/8"=1'-0"

WARNING
 CONTRACTOR TO CHECK, VERIFY,
 AND BE RESPONSIBLE FOR ALL
 UNDERGROUND SERVICES
 STRUCTURES AND UTILITIES



**WPCP
 045**

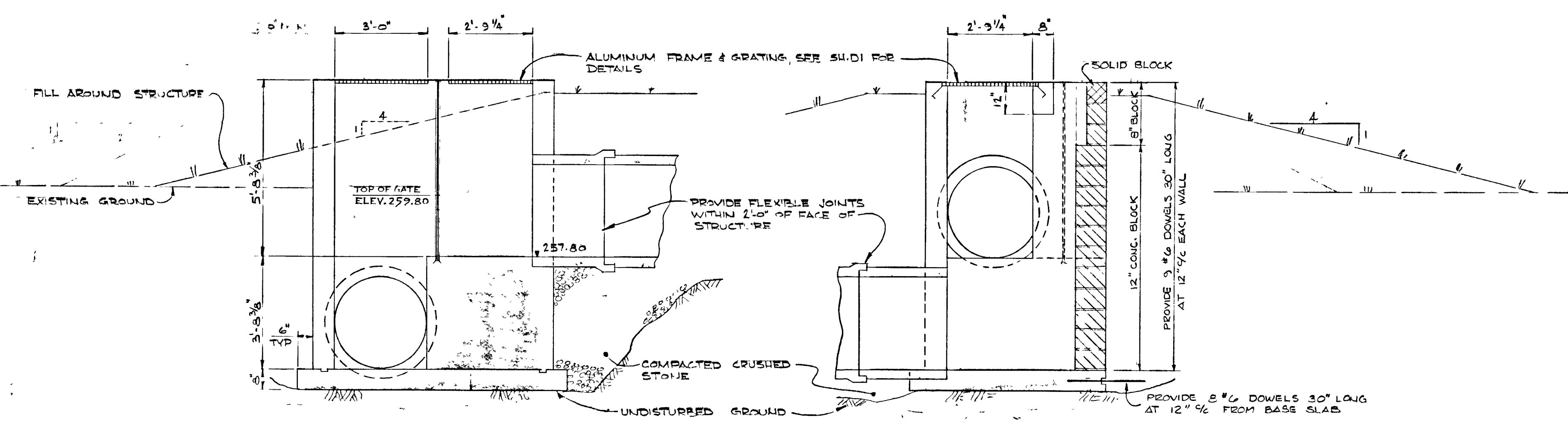
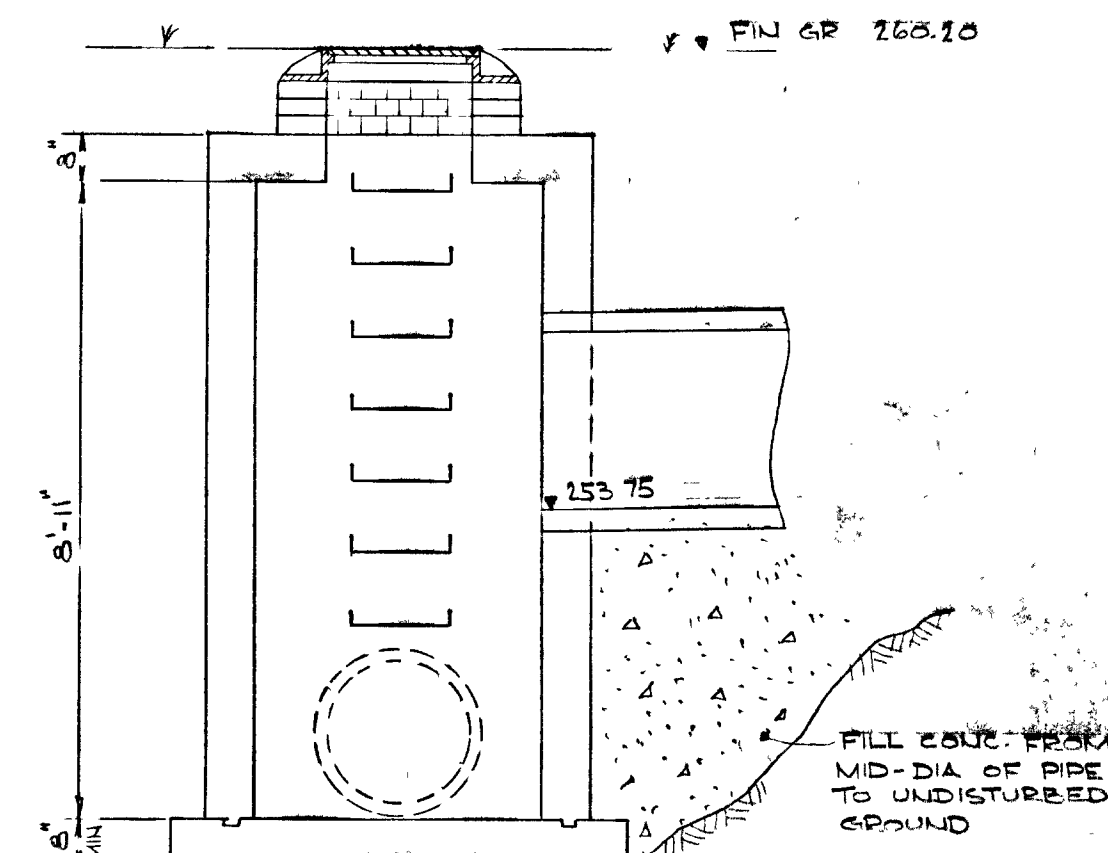
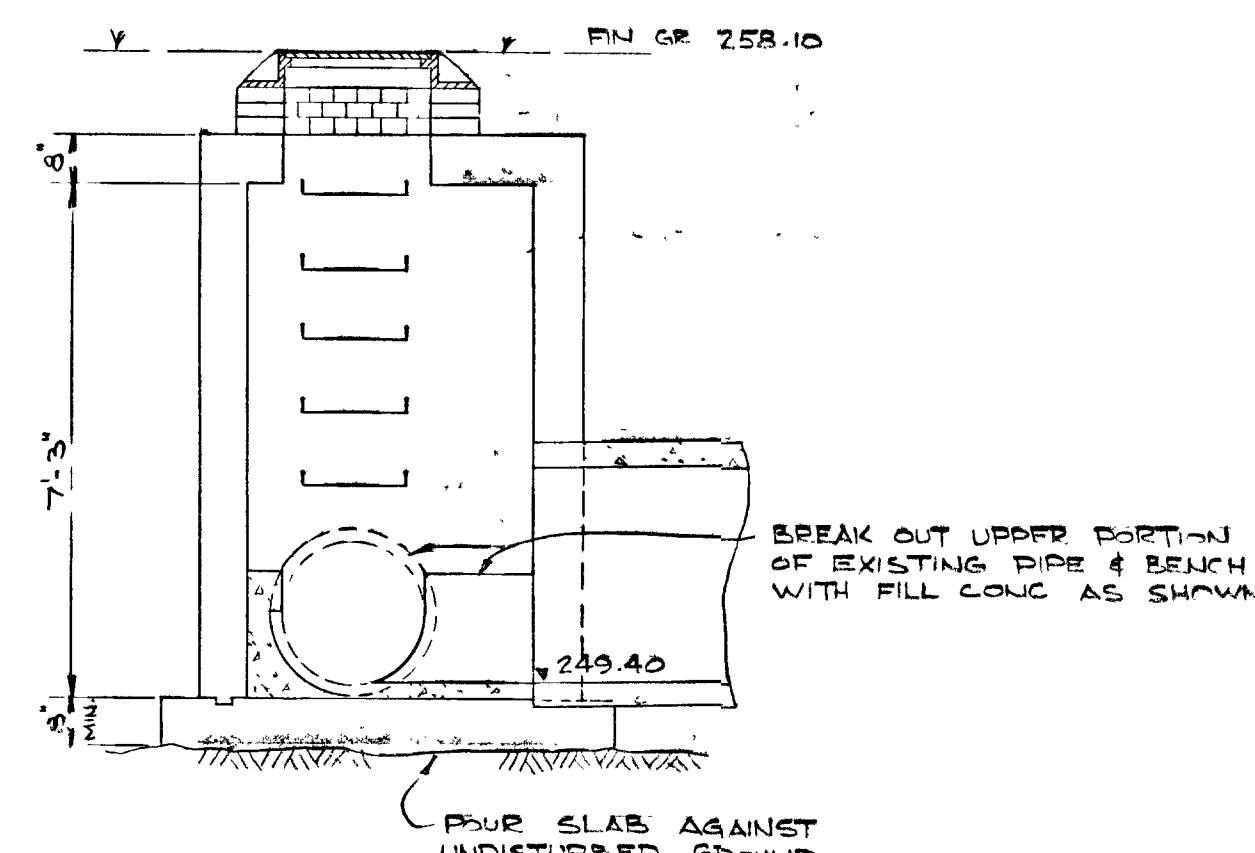
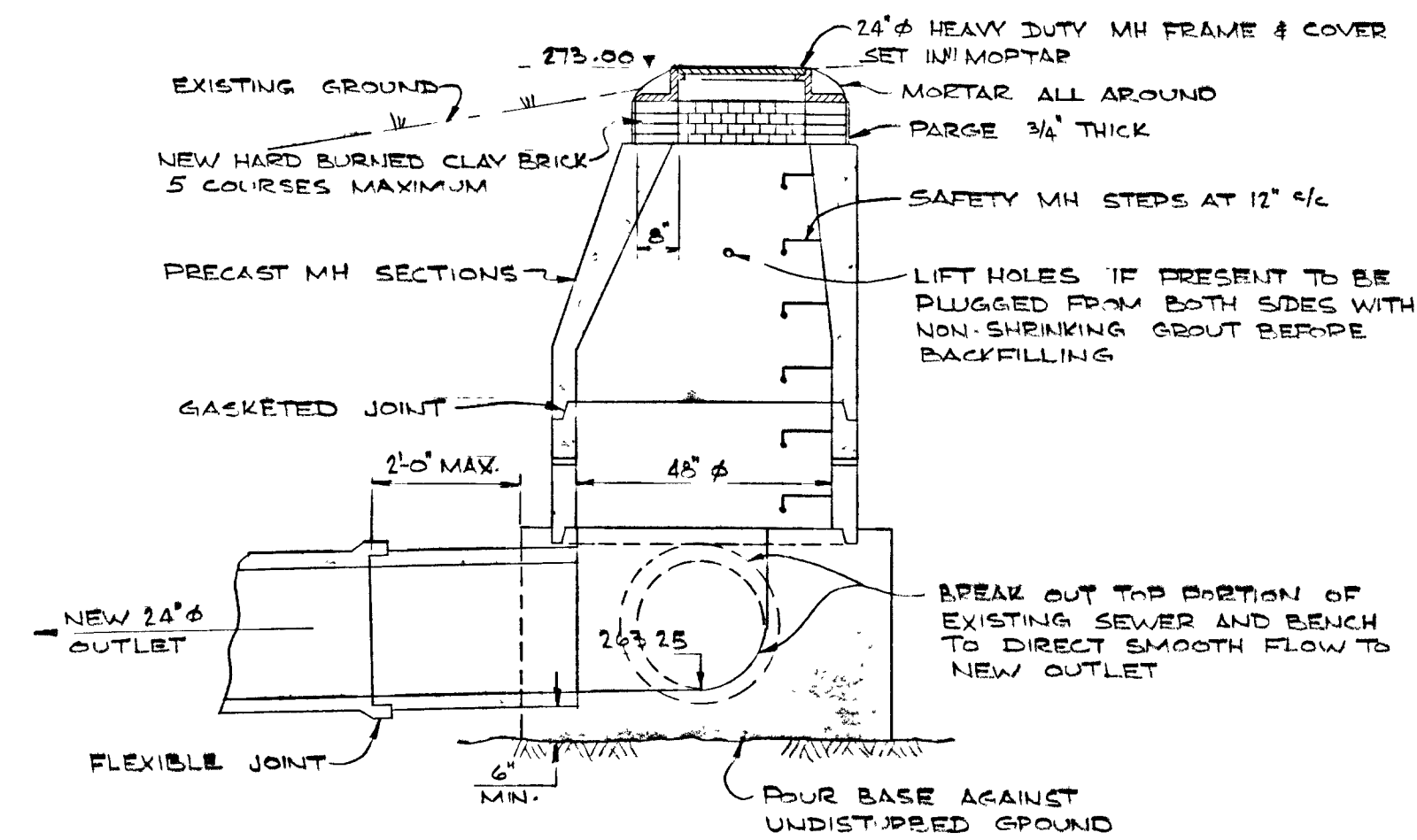
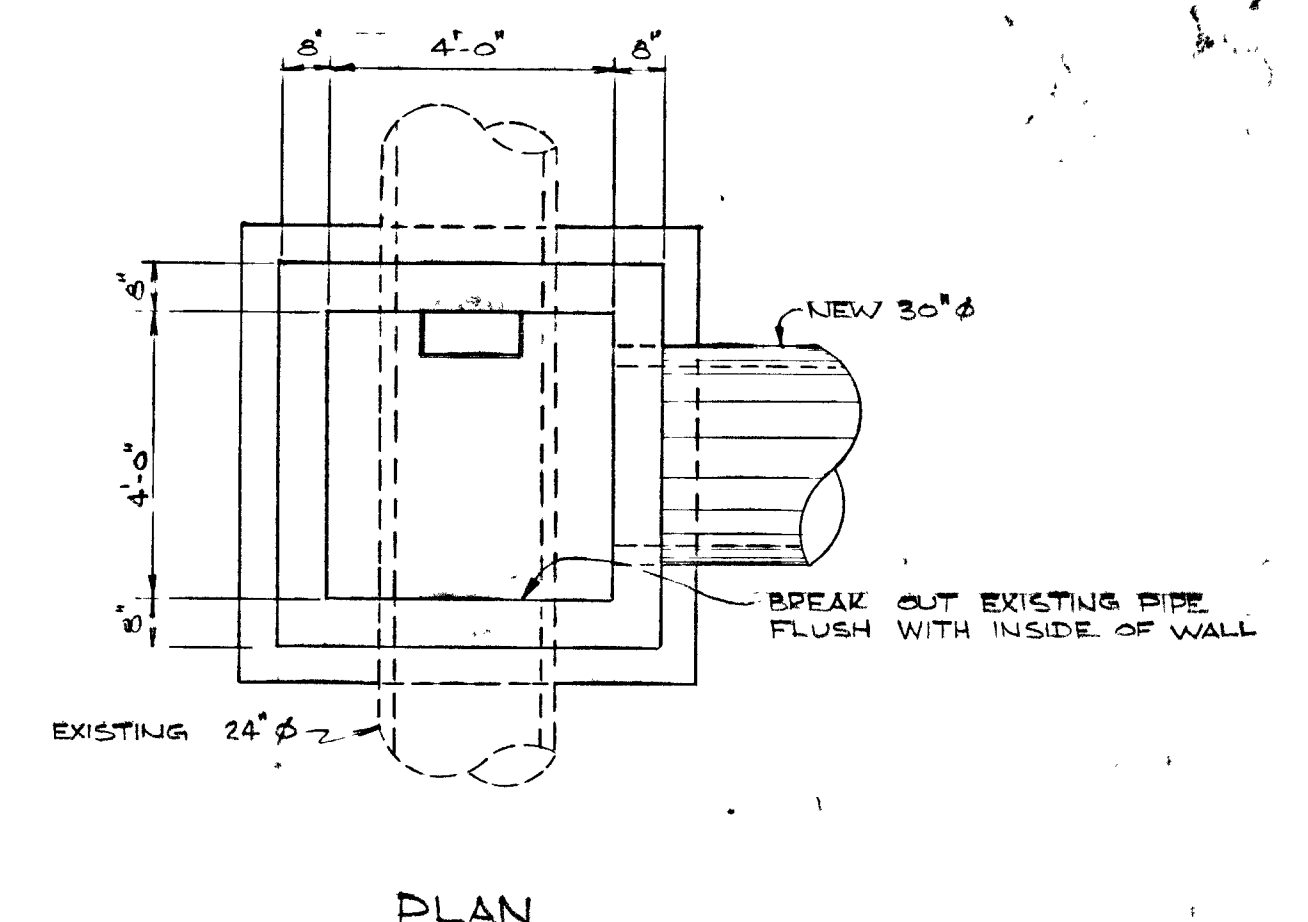
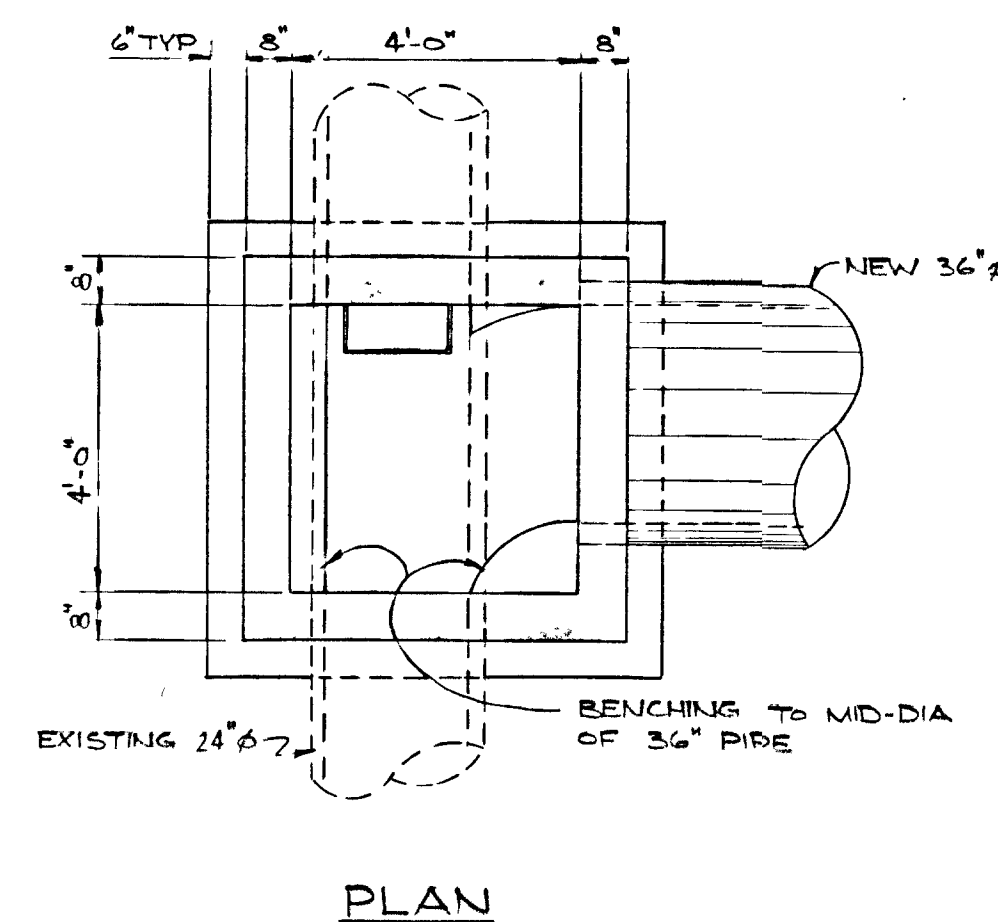
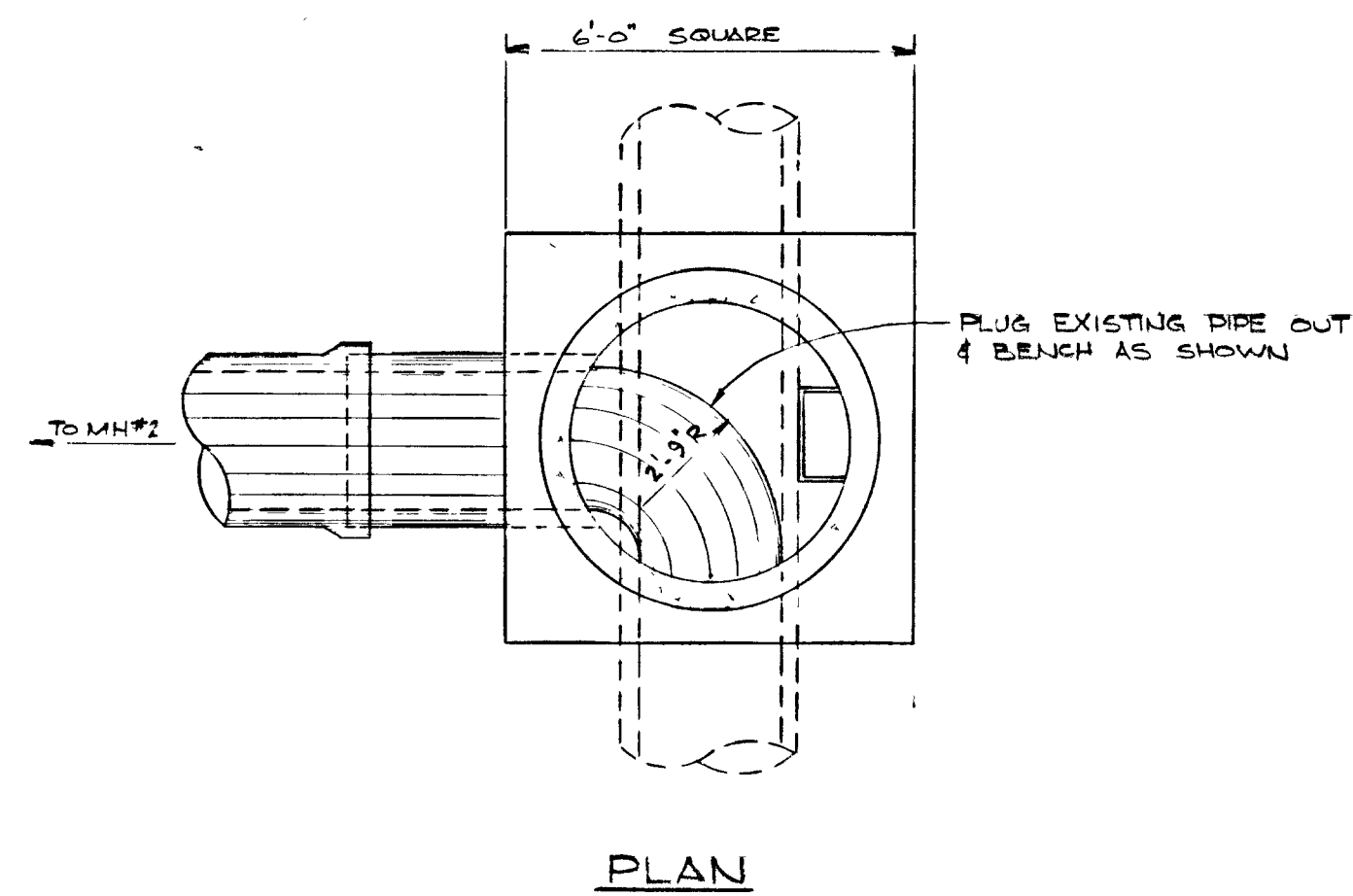
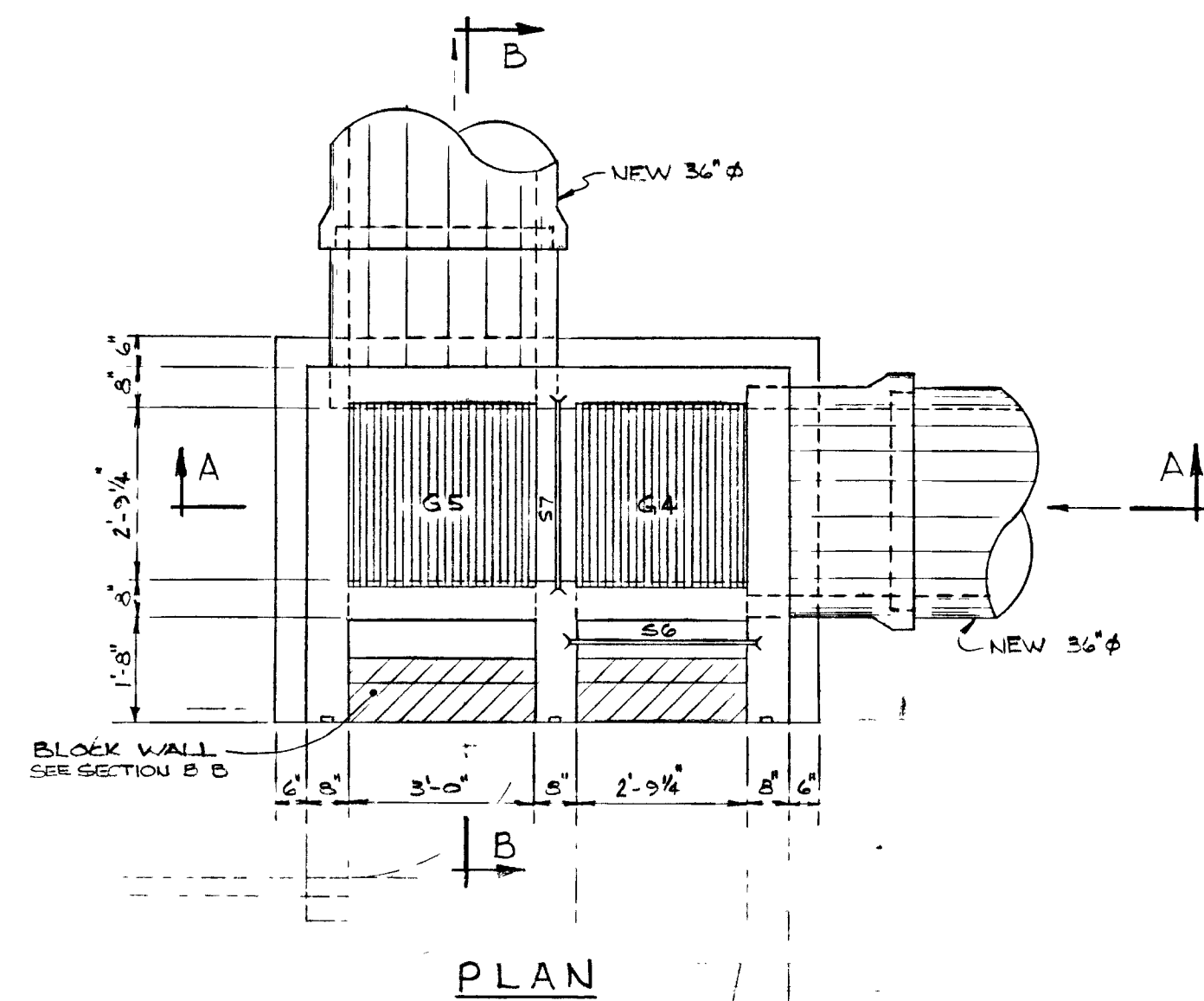
NOTES:

- 1- PROVIDE 6" MIN. CLEARANCE BETWEEN PIPES AND/OR DUCTS AT CROSSING POINTS
- 2- PROVIDE FLEXIBLE JOINTS IN PIPES AS CLOSE AS PRACTICAL TO FACES OF MANHOLES OR OTHER STRUCTURES (2' MAX.)
- 3- RELOCATION OF EXISTING WATER & SLUDGE LINES TO INCORPORATE NO BELIDS SHARPER THAN 45°
- 4- ALL U/G PIPING AND DUCT WORK TO BE BEDDED IN APPROVED COMPACTED GRANULAR FREE OF STONES FROM 6" BELOW INVERT TO 12" ABOVE CROWN UNLESS OTHERWISE SHOWN.

THIS DRAWING IS APPROVED
 FOR
 CONSTRUCTION PURPOSES
 Date Oct 6/86 Job No 955
 J. D. LEE ENGINEERING LIMITED



GREATER NAPANEE WATER SUPPLY & POLLUTION CONTROL BOARD 75 EAST STREET, NAPANEE, ONTARIO K7R 1S8 (819) 354-9338 FAX (819) 354-2838					
PROJECT 955 PROFILES					
WATER POLLUTION CONTROL PLANT					
APPROVED BY			SPECIFICATIONS		
DESIGNED BY	DATE	SCALE			
	JUNE 1976	AS SHOWN			
DRAWN BY	DWG NO				
	WPCP-1976/1-DW3D-N ^o 18/19				
WATER POLLUTION CONTROL PLANT					
PROFILES					
J. D. LEE ENGINEERING LIMITED					
CONSULTING ENGINEERS - KINGSTON BRANTFORD, ONT					
EPT/76	AS BUILT	TLK	DESIGN	SCALE	JOB NO
SEPT 8/76	GENERAL	TLK	OWN	AS SHOWN	955
DATE	REVISION	CHK	QUANT	DWG NO	SHEET
				1158 C	U2
					REVISION
					2



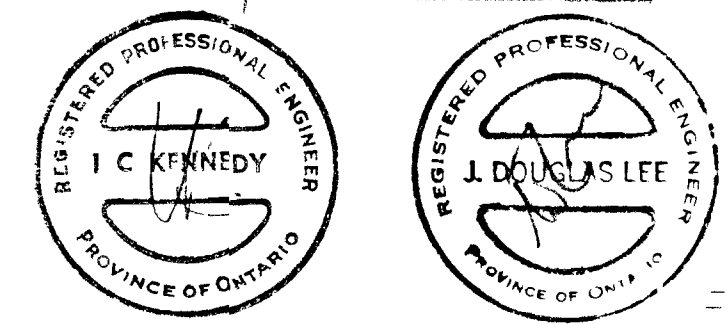
NOTES
 1) CAST IN PLACE CONCRETE TO BE CLASS B WITH AIR ENTRAINMENT.
 2) REINFORCING TO BE #3 BARS AT 12" ON CENTER BOTH DIRECTIONS, ALL WALLS.
 3) USE MH #1 FOR ALL MANHOLE DETAILS.

GREATER NAPANEE WATER SUPPLY & POLLUTION CONTROL BOARD 75 EAST STREET, NAPANEE, ONTARIO K7R 1S3 (613) 354-9338 FAX (613) 354-2838			
PROJECT <u>955 DIVERSION CHAMBER & MANHOLES</u>			
<u>WATER POLLUTION CONTROL PLANT</u>			
APPROVED BY _____		SPECIFICATIONS _____	
DESIGNED BY _____	DATE <u>JUNE 1976</u>	SCALE <u>AS SHOWN</u>	
DRAWN BY _____	DWG NO <u>WPCD-1976/1-UNAD-NO 19/77</u>		

TOWN OF NAPANEE FOR	
NAPANEE AREA WATER SUPPLY & POLLUTION CONTROL BOARD	
WATER POLLUTION CONTROL PLANT	
DIVERSION CHAMBER & MANHOLES	

J. D. LEE ENGINEERING LIMITED CONSULTING ENGINEERS - KINGSTON BRANTFORD, ONT.						
EPT/76	AS BUILT	LY	DESIGN	SCALE	JOB NO	DATE
SEPT 8/76	DIVERSION CHAMBER	FLK	DWN	3/8" = 1'-0"	955	22/06/76
DATE	REVISION	CHK	QUANT	DWG NO	SHEET	REVISION
				1158 C	U3	2

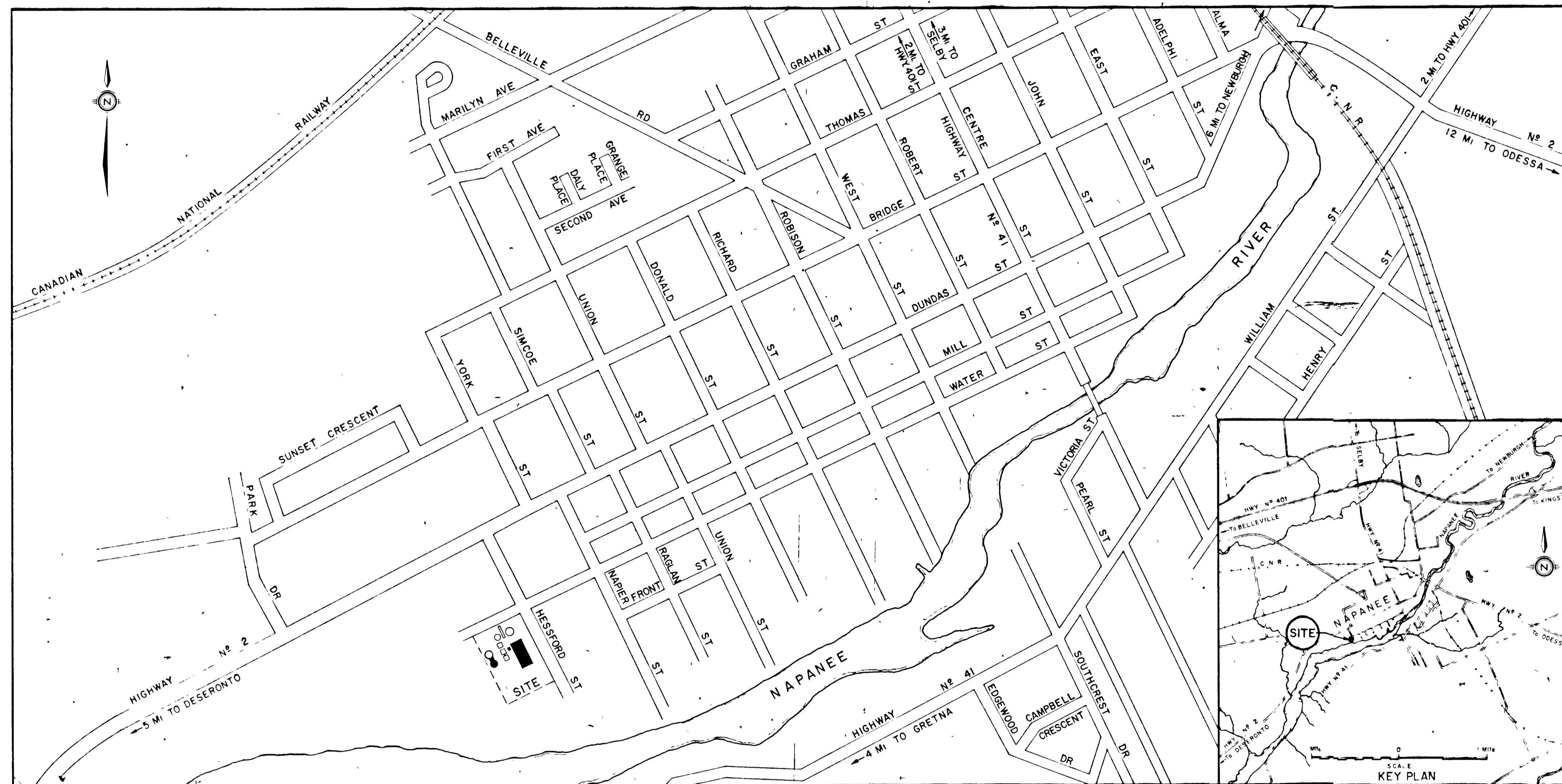
THIS DRAWING IS APPROVED FOR CONSTRUCTION PURPOSES
 Date 06/06/76 Job No 955
J. D. LEE ENGINEERING LIMITED



TOWN OF NAPANEE

WATER POLLUTION CONTROL PLANT

STAGE 2 CONTRACT



KEY PLAN
SCALE 1"=400'

DRAWING LIST

GENERAL

A1 - SITE PLAN

CONCRETE & ARCHITECTURAL

- C1 - AERATION TANK
- C2 - AERATION TANK
- C3 - CLARIFIERS
- C4 - CLARIFIERS
- C5 - CLARIFIER BUILDING
- C6 - CLARIFIER BUILDING
- C7 - CONTROL BUILDING & ODOUR CONTROL ROOM
- C8 - DIGESTER & BUILDING
- C9 - DIGESTER & BUILDING
- C10 - SLUDGE PUMP BUILDING RENOVATIONS
- C11 - SLUDGE THICKENER

MISCELLANEOUS

- D1 - MISCELLANEOUS DETAILS
- D2 - MISCELLANEOUS DETAILS
- D3 - MISCELLANEOUS DETAILS
- D4 - SCHEDULES

ELECTRICAL

- E1 - EXISTING CONTROL BUILDING
- E2 - SLUDGE PUMP BUILDING
- E3 - CLARIFIER BUILDING
- E4 - ELECTRICAL CONTROLS
- E5 - ELECTRICAL CONTROLS

MECHANICAL

- M1 - PROCESS & INSTRUMENTATION
- M2 - SLUDGE PUMP BUILDING
- M3 - PRIMARY DIGESTER & BUILDING
- M4 - PRIMARY DIGESTER & BUILDING

STRUCTURAL

- S1 - AERATION TANKS REINFORCING
- S2 - AERATION TANKS REINFORCING
- S3 - AERATION TANKS REINFORCING
- S4 - AERATION TANKS REINFORCING
- S5 - CLARIFIER REINFORCING
- S6 - CLARIFIER REINFORCING
- S7 - CLARIFIER REINFORCING
- S8 - CLARIFIER REINFORCING
- S9 - PRIMARY DIGESTER REINFORCING
- S10 - DIGESTER BUILDING REINFORCING & FOUNDATIONS
- S11 - SLUDGE THICKENER REINFORCING
- S12 - REINFORCING STEEL SCHEDULE
- S13 - REINFORCING STEEL SCHEDULE
- S14 - REINFORCING STEEL SCHEDULE
- S15 - REINFORCING STEEL SCHEDULE
- S16, S17 - REINFORCING STEEL SCHEDULE

OUTSIDE SERVICES

- U1 - UNDERGROUND PIPING

J.D. LEE ENGINEERING LIMITED

CONSULTING ENGINEERS

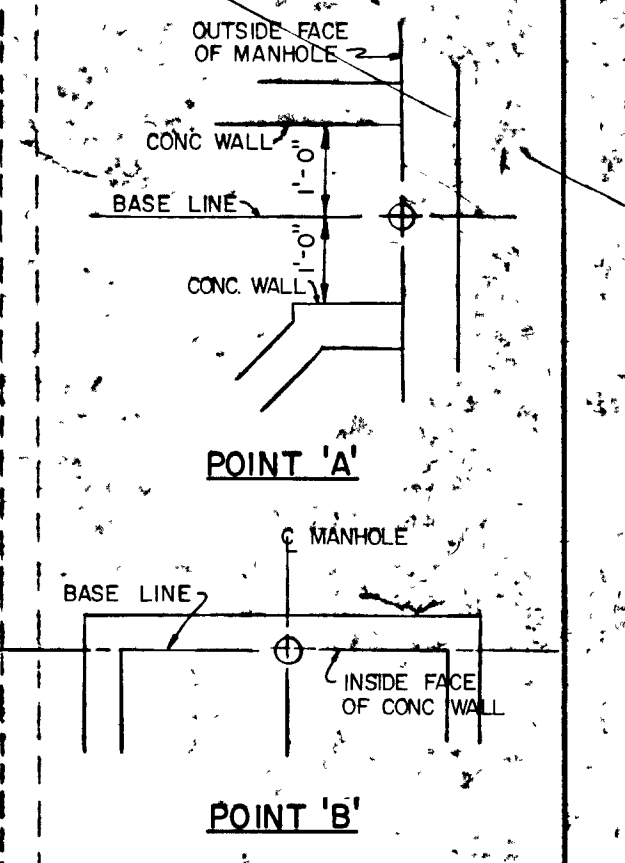
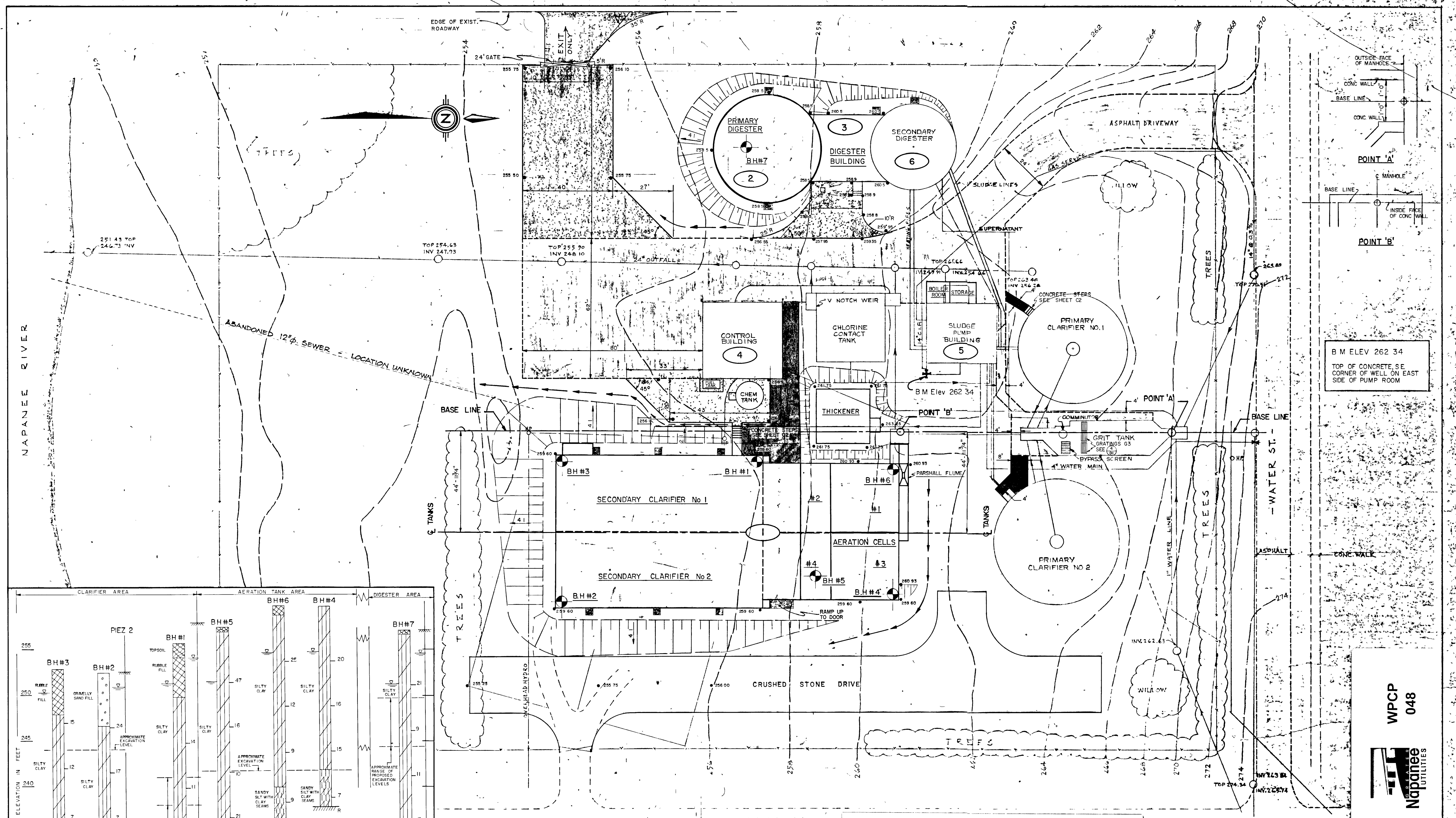
JOB N° 1314

1981



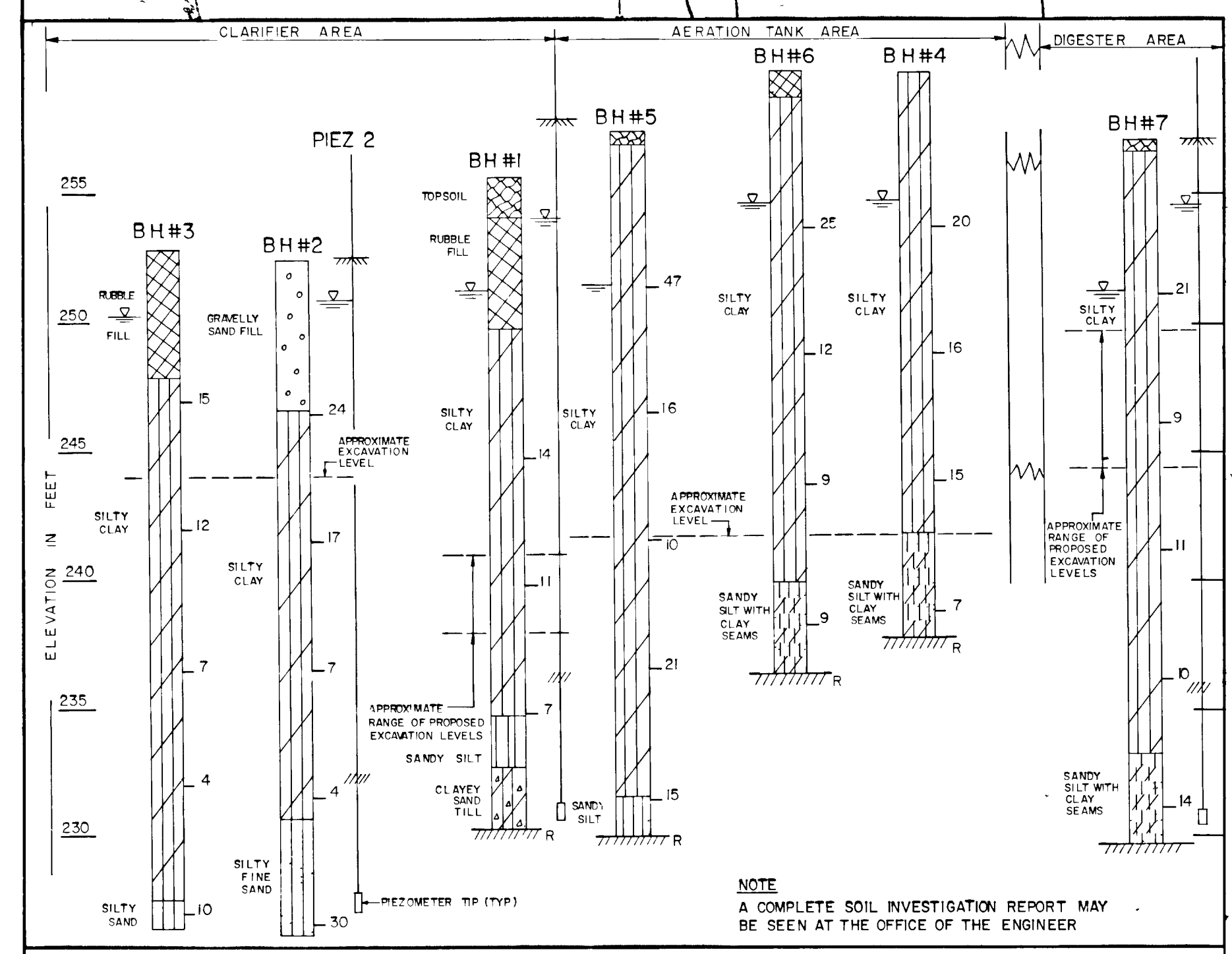
WPCP
047

<small>GREATER NAPANEE WATER SUPPLY & POLLUTION CONTROL BOARD 75 EAST STREET, NAPANEE, ONTARIO K7R 1S3 (813) 354-9338 FAX (813) 354-2838</small>	
PROJECT 1314 CONSTRUCTION DRAWINGS STAGE 2 SEWAGE TREATMENT PLANT	
APPROVED BY	SPECIFICATIONS
DESIGNED BY	DATE MAR 1978 SCALE AS SHOWN
DRAWN BY	DWG NO WPCP-1978/1-SITE-N° 0/45



B M ELEV 262.34
TOP OF CONCRETE S.E. CORNER OF WELL ON EAST SIDE OF PUMP ROOM

WPCP 048
Napanee Utilities



BOREHOLE LOG

- LEGEND**
- PAVED WALK - 6" GRANULAR 'A', 2" HL3
 - PAVEMENT - 9" GRANULAR 'A', 3 1/2" HL3
 - PAVEMENT - 1 1/2" HL3 (RE-PAVING), 2" HL3 (WALKS)
 - 1" CLEAR CRUSHED STONE - 6" DEEP
 - EXISTING STRUCTURES
 - DRAINAGE SWALE
 - BOREHOLE
 - FINISHED GRADE
 - BUILDING NUMBER
 - NEW STRUCTURES

GREATER NAPANEE WATER SUPPLY & POLLUTION CONTROL BOARD
75 EAST STREET, NAPANEE, ONTARIO K7R 1S9 (613) 354-9338 FAX (613) 354-2836

PROJECT 1314 **SITE PLAN**
STAGE 2
SEWAGE TREATMENT PLANT

APPROVED BY: _____ SPECIFICATIONS: _____

DESIGNED BY: _____ DATE: MAR 1978 SCALE: AS SHOWN

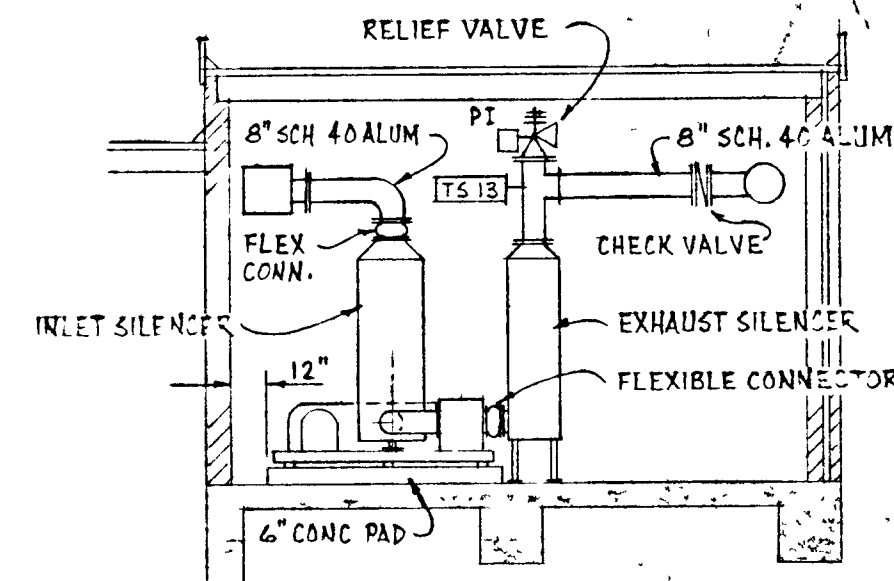
DRAWN BY: _____ DWG NO: WPCP-1978/1-SITE-NP/45

TOWN OF NAPANEE

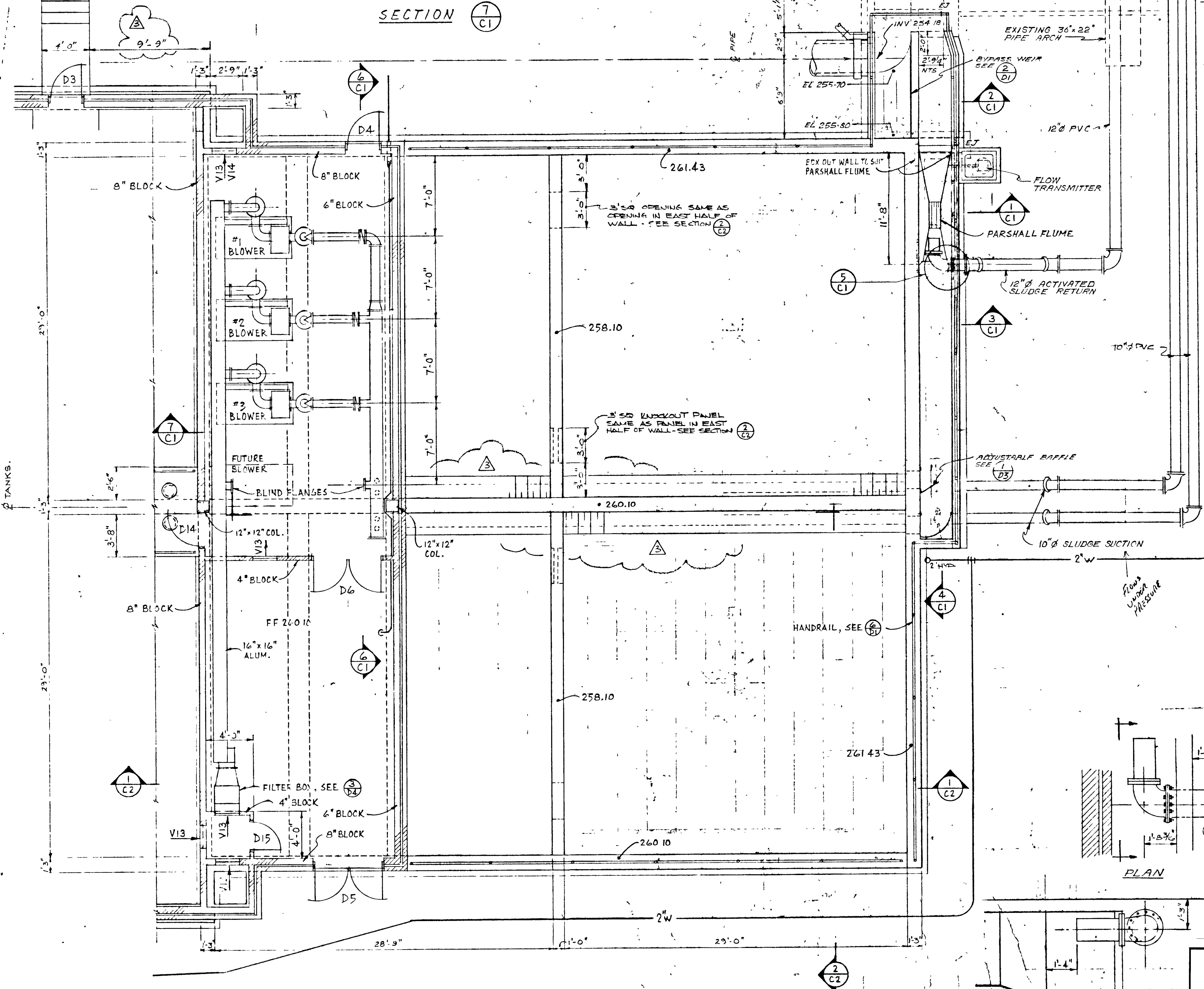
WATER POLLUTION CONTROL PLANT - STAGE 2 CONTRACT

SITE PLAN

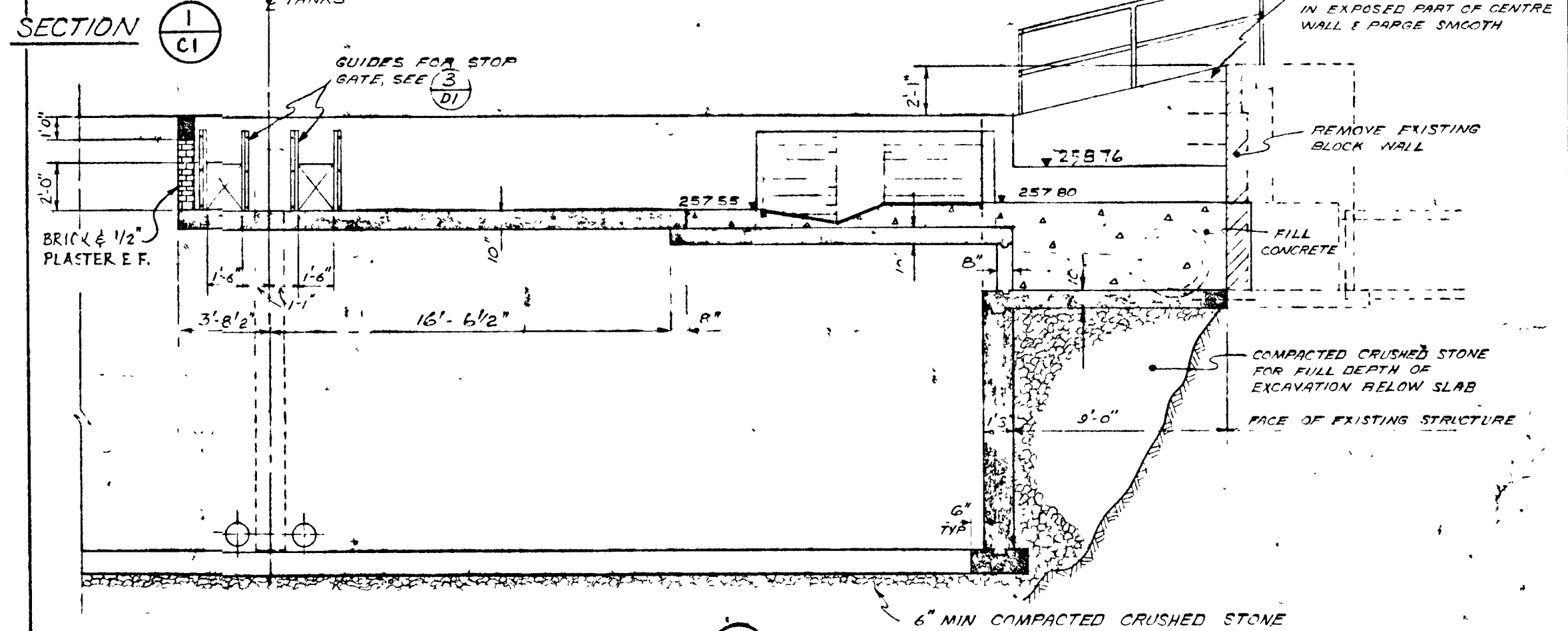
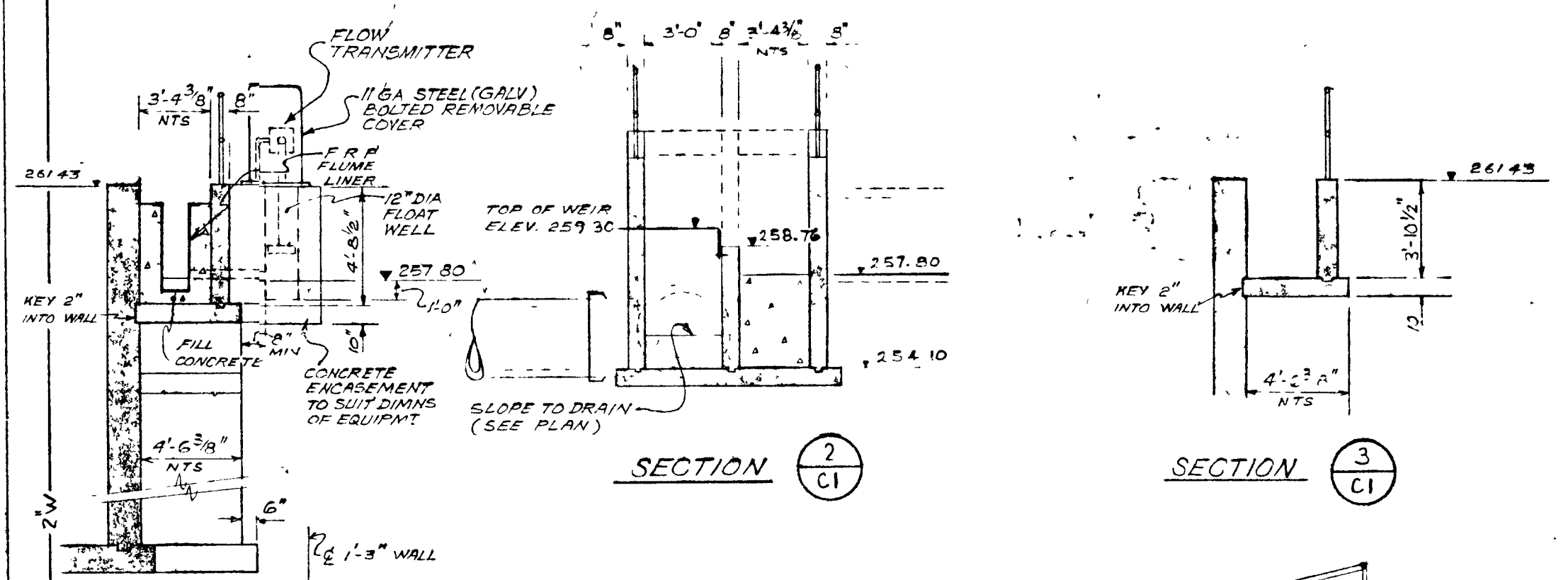
AS-BUILT		M.S.	J. D. LEE ENGINEERING LIMITED			
CONSULTING ENGINEERS - KINGSTON, BRANTFORD, ONT.		DESIGN	10	SCALE 1" = 20'	JOB NO. 1314	DATE 30 MAR 78
JUN 78	General	DWN	S.M.	DWN NO. 1209C	SHEET A1	REVISION 3
ATE	REVISION	CHK	QUANT			



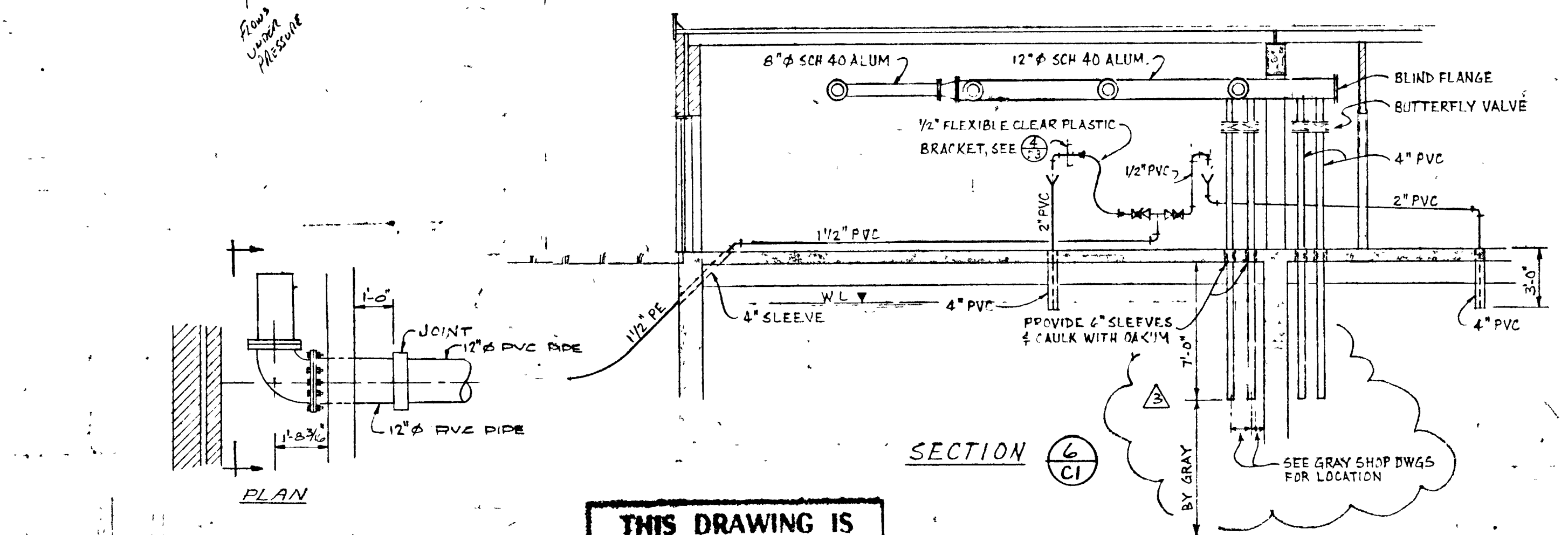
SECTION 7 CI



PLAN



SECTION 4 CI



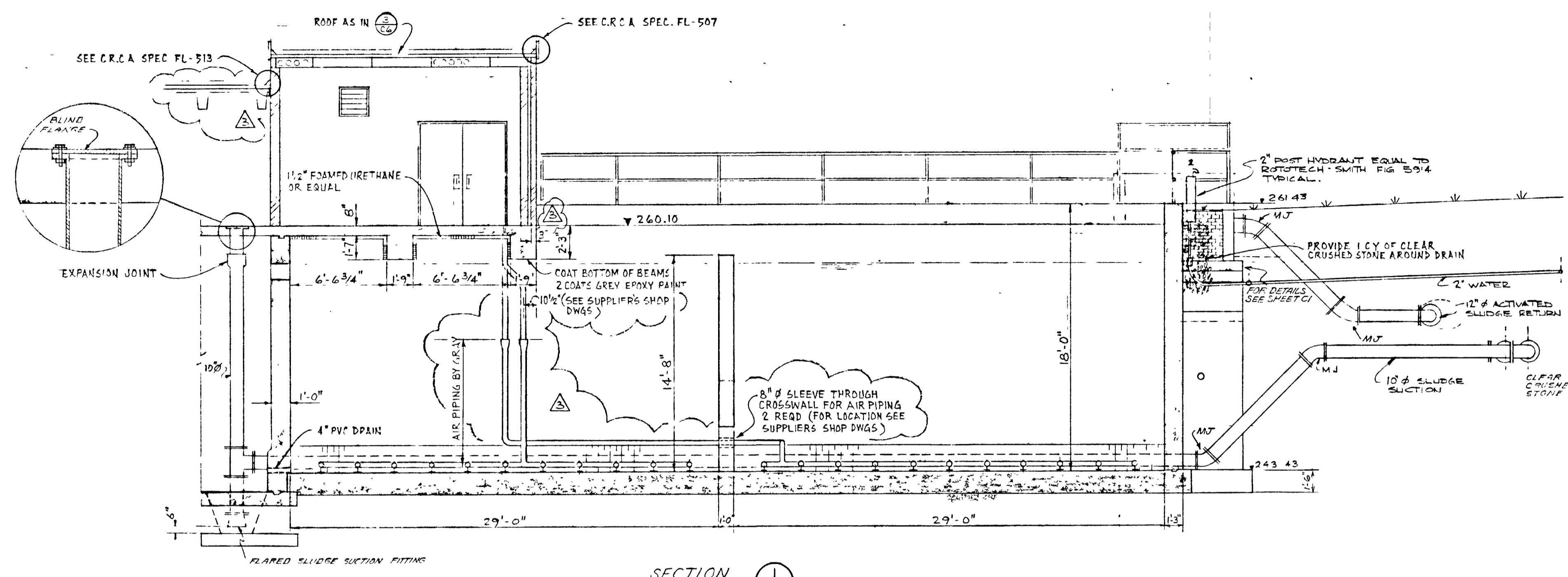
SECTION 6 CI

THIS DRAWING IS APPROVED FOR

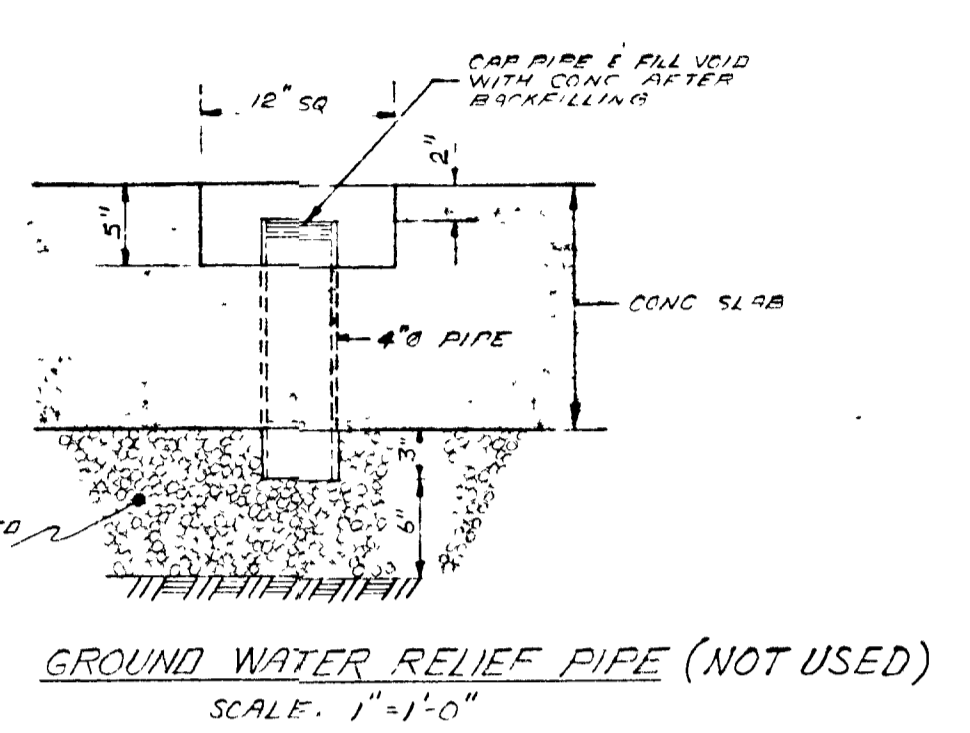
GREATER NAPANEE WATER SUPPLY & POLLUTION CONTROL BOARD 75 EAST STREET, NAPANEE, ONTARIO, K7R 1S3 (613) 354-9338 FAX (613) 354-2838	
PROJECT: 1314 AERATION TANK - CONCRETE & ARCHITECTURAL PLAN - STAGE 2 SEWAGE TREATMENT	
APPROVED BY	SPECIFICATIONS
DESIGNED BY	DATE: MAR 1975 SCALE: AS SHOWN
DRAWN BY	DWG NO: W.P.C.D.-1975/1-AZCH-N2 2/43

TOWN OF NAPANEE			
ER POLLUTION CONTROL PLANT - STAGE 2 CONTRACT			
AERATION TANK - CONCRETE & ARCHITECTURAL - PLAN			
BUILT	M.S.	J. D. LEE ENGINEERING LIMITED	
ORDER #1	M.S.	CONSULTING ENGINEERS - KINGSTON BRANTFORD, ONT.	
ENGRAL	CHK	DESIGN	DATE: 30 MAR 75
GENERAL	DWN	S.M.	SCALE: 3/16" = 1'-0"
REVISION	CHK	QUANT	DWG. NO: 1209C
			SHEET: CI
			REVISION: 4

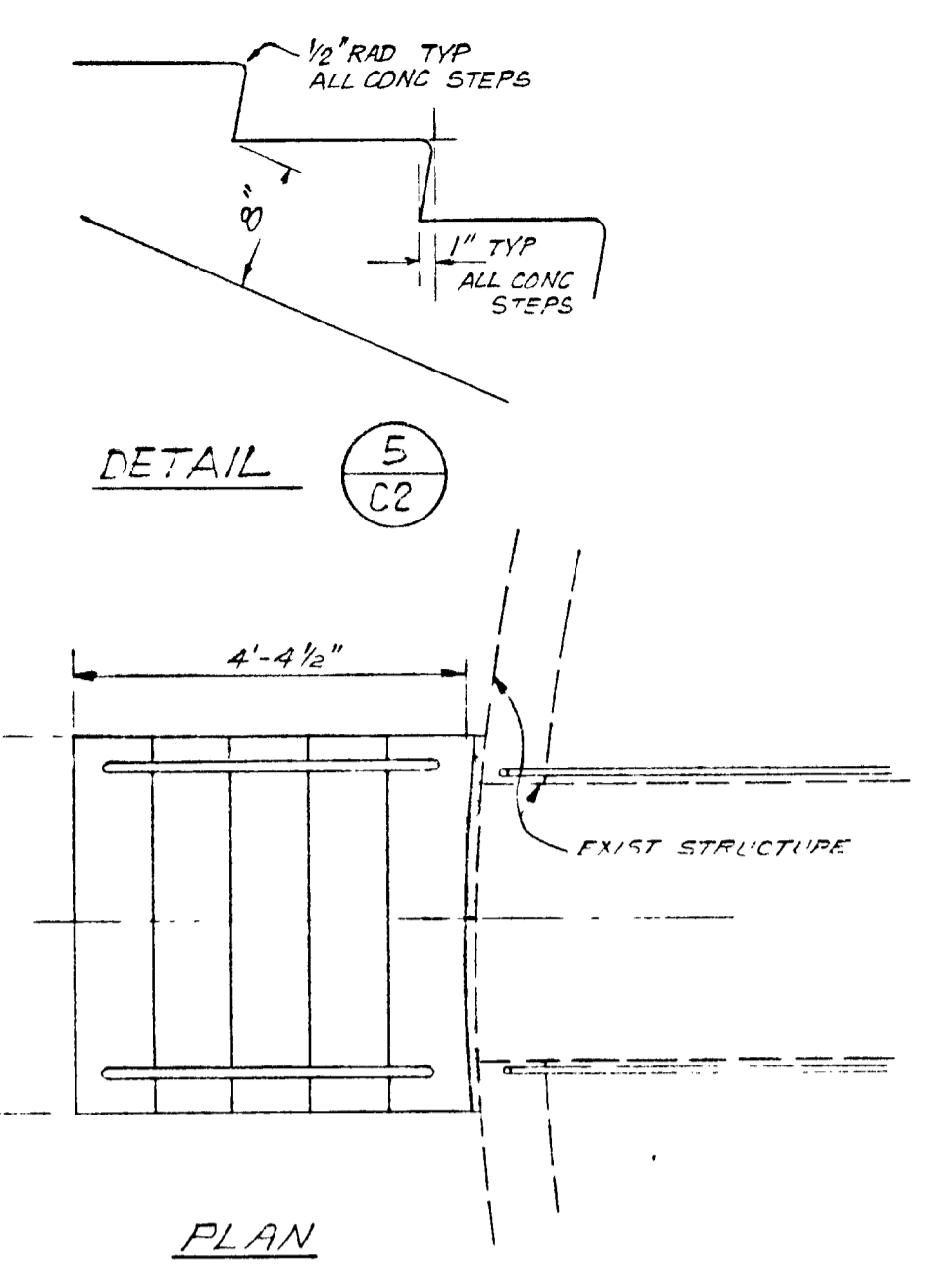




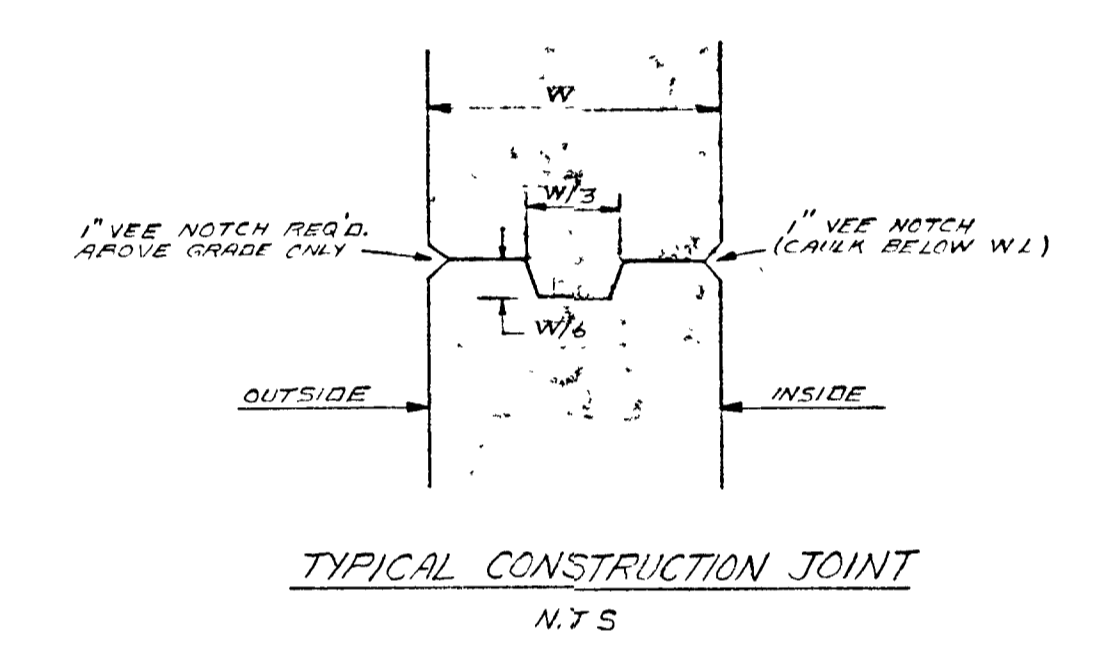
SECTION 1 C2
SCALE 3/16" = 1'-0"



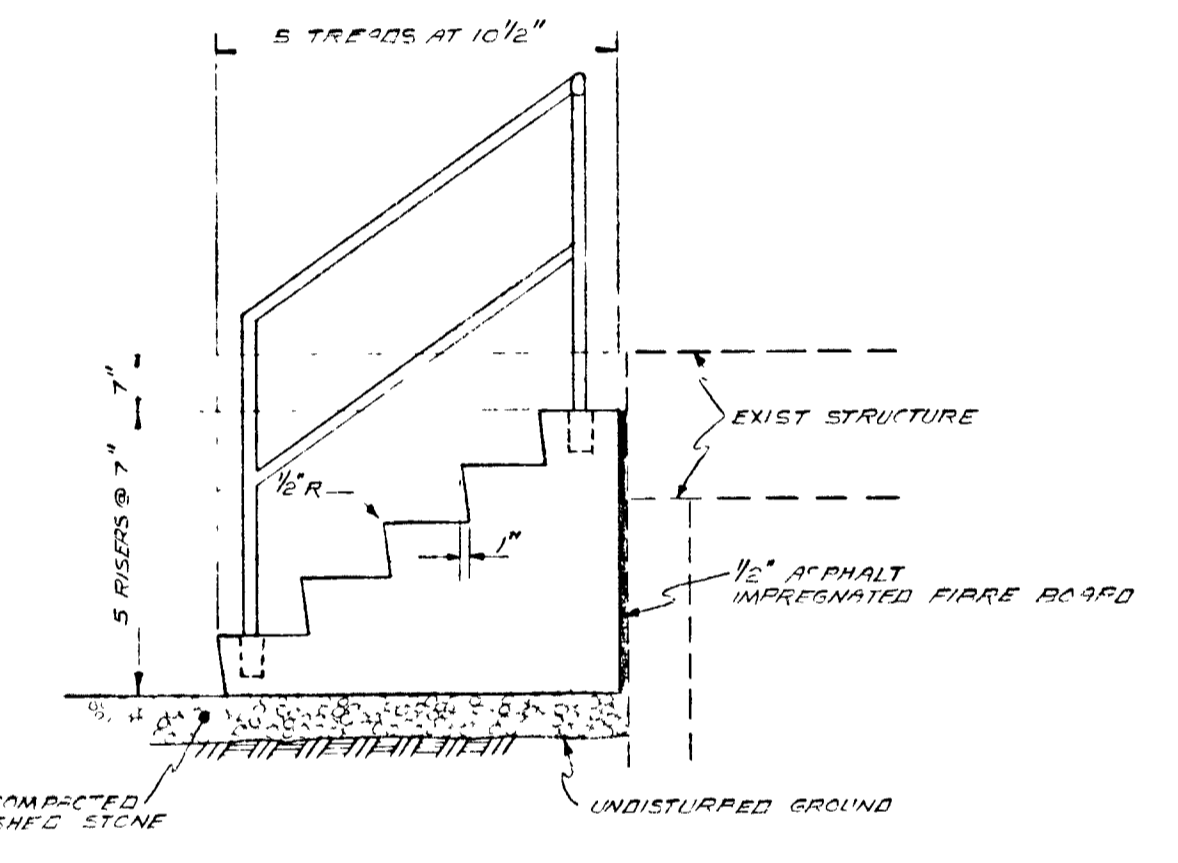
GROUND WATER RELIEF PIPE (NOT USED)
SCALE 1" = 1'-0"



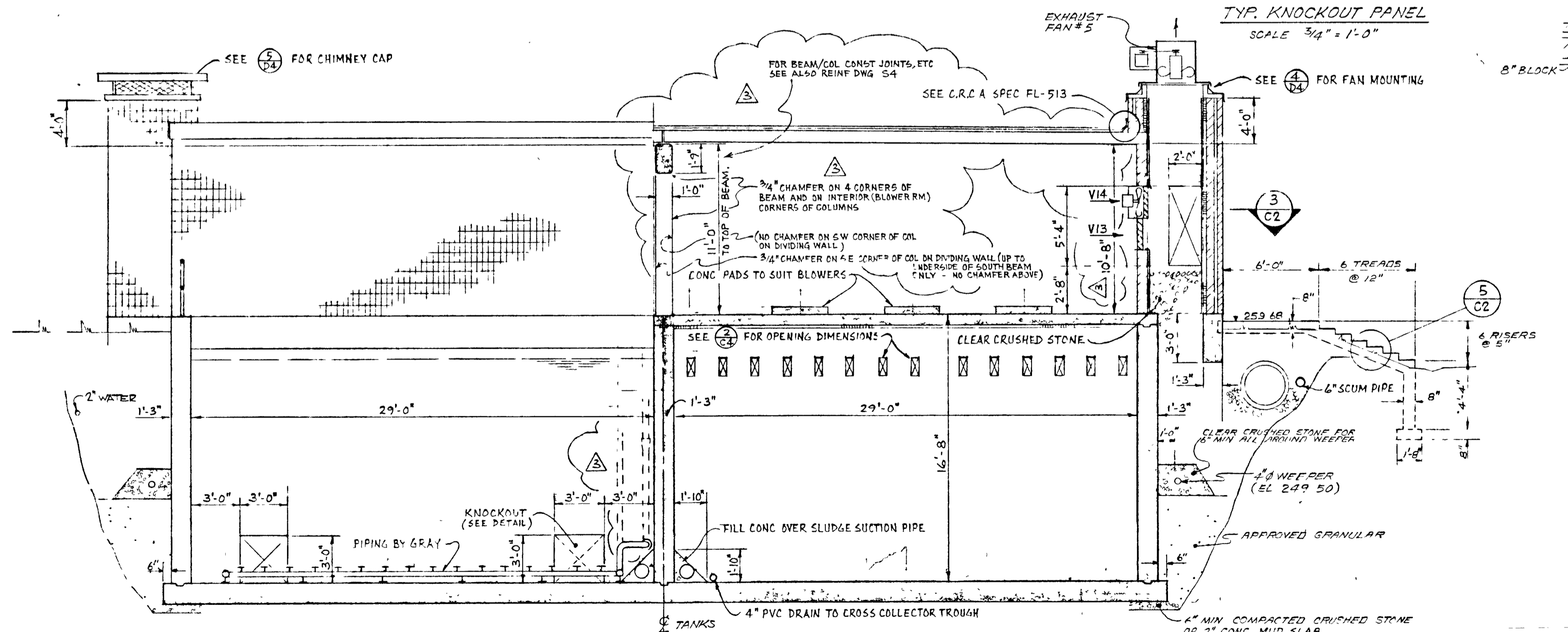
DETAIL 5 C2
PLAN



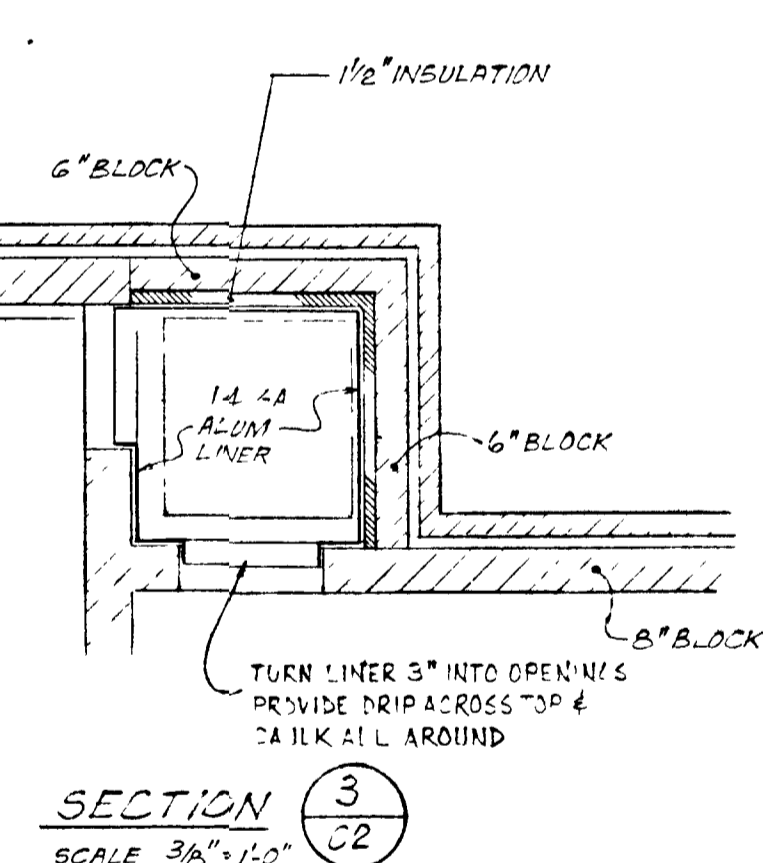
TYPICAL CONSTRUCTION JOINT
N.T.S.



SECTION
PRIMARY CLARIFIER No. 1 STEPS
SCALE 1/2" = 1'-0"



ELEVATION 2 C2
SCALE 3/16" = 1'-0"



SECTION 3 C2
SCALE 3/8" = 1'-0"

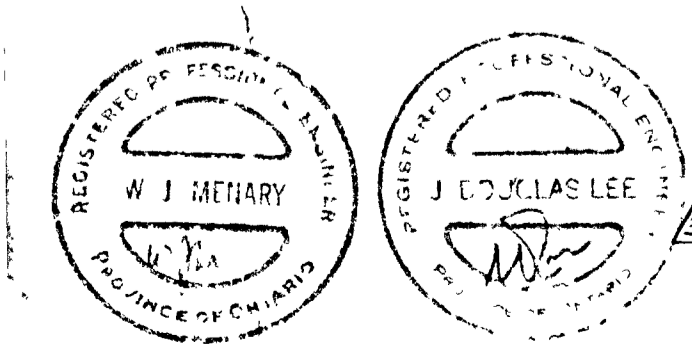
- NOTES:
- GROUND WATER RELIEF PIPES TO BE LOCATED AS REQUIRED TO PREVENT UPLIFT.
 - SEE REINFORCING DRAWINGS FOR CONSTRUCTION JOINT LOCATIONS.

GREATER NAPANEE WATER SUPPLY & POLLUTION CONTROL BOARD
75 EAST STREET, NAPANEE, ONTARIO N7R 1S8 (613) 354-9338 FAX (613) 354-2836

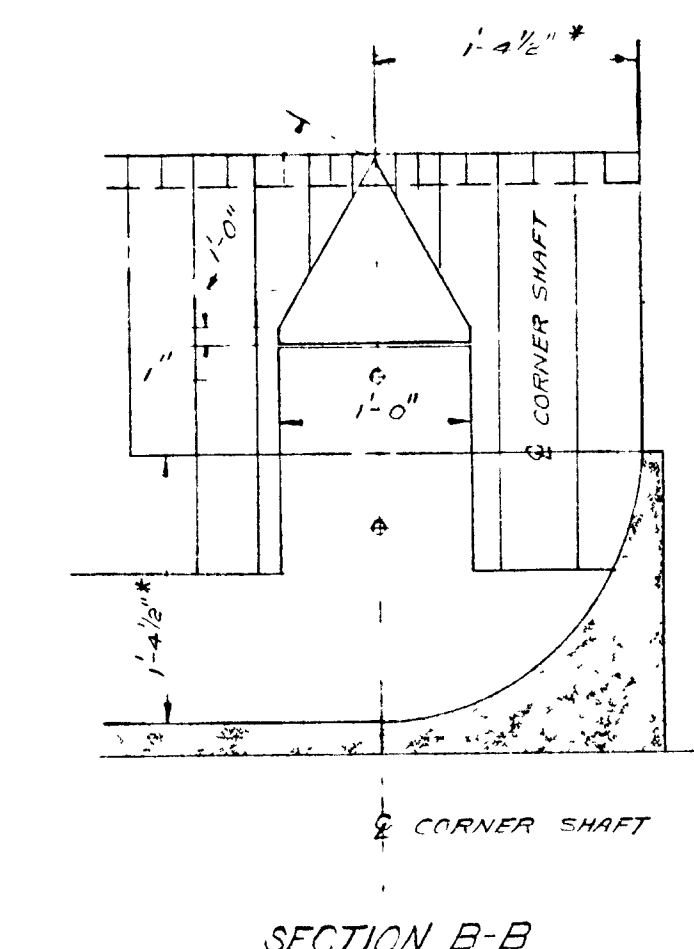
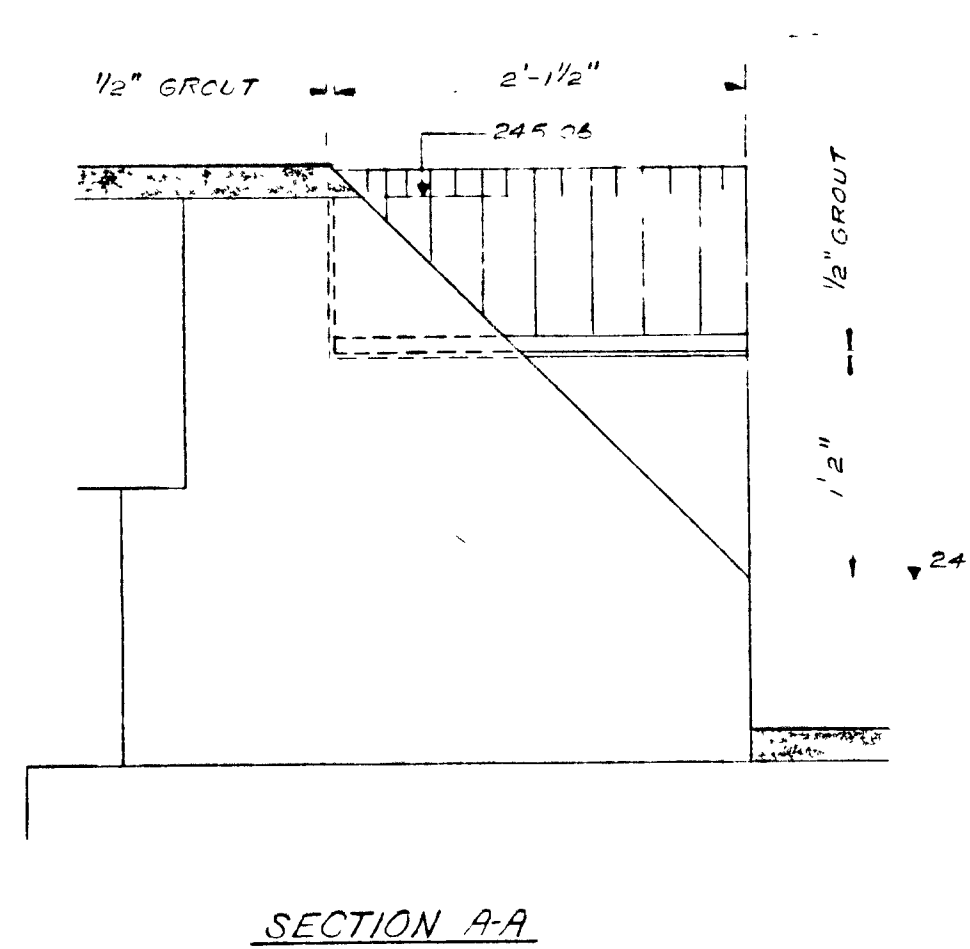
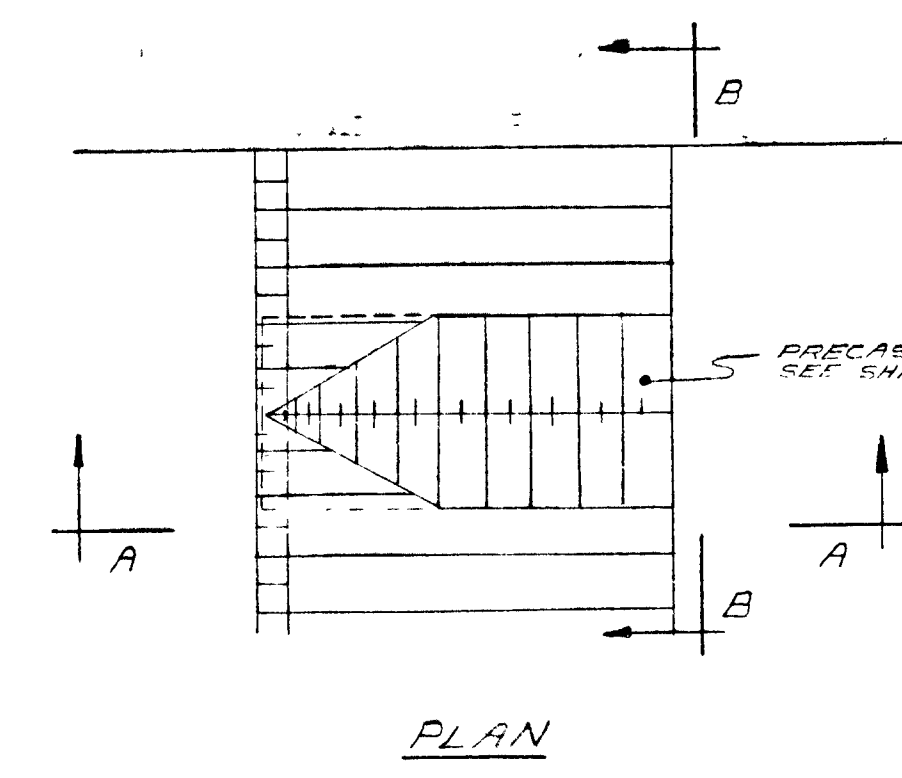
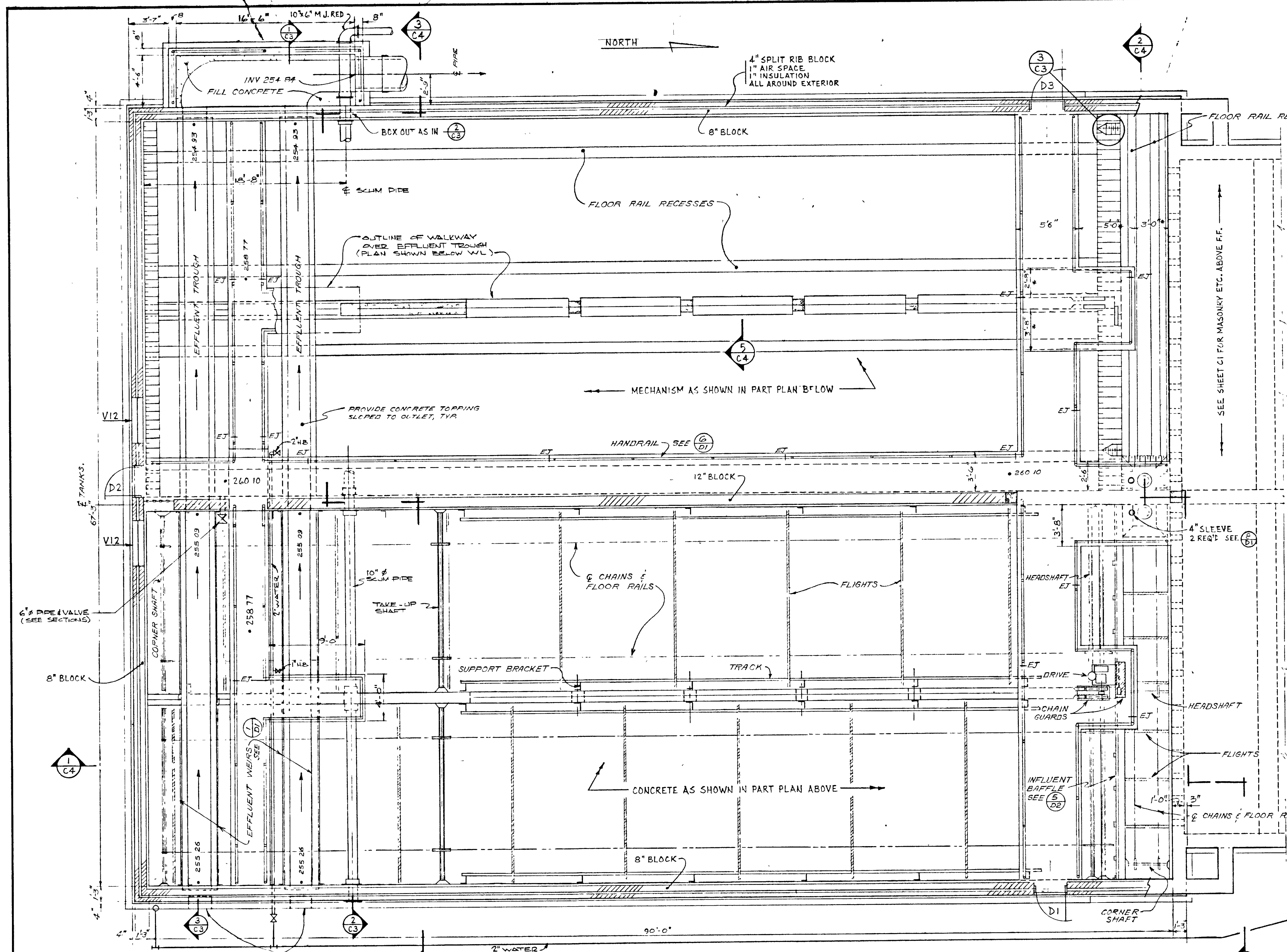
PROJECT 1314 AERATION TANK-CONCRETE & ARCHITECTURAL SECTIONS STAGE 2 SEWAGE TREATMENT PLANT

APPROVED BY: _____ SPECIFICATIONS: _____
DESIGNED BY: _____ DATE: MAR 1978 SCALE: AS SHOWN
DRAWN BY: _____ DWG NO: WPCP-1978/1-ADD-1-NO 3/43

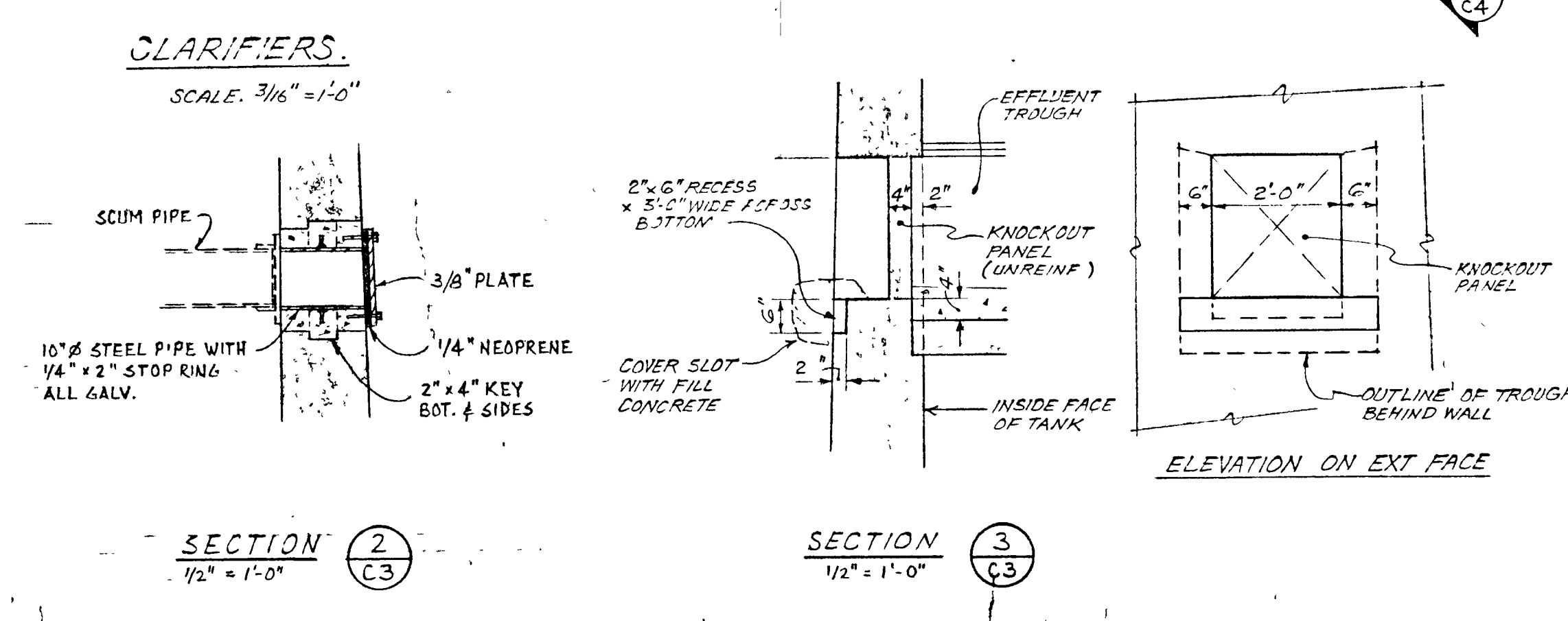
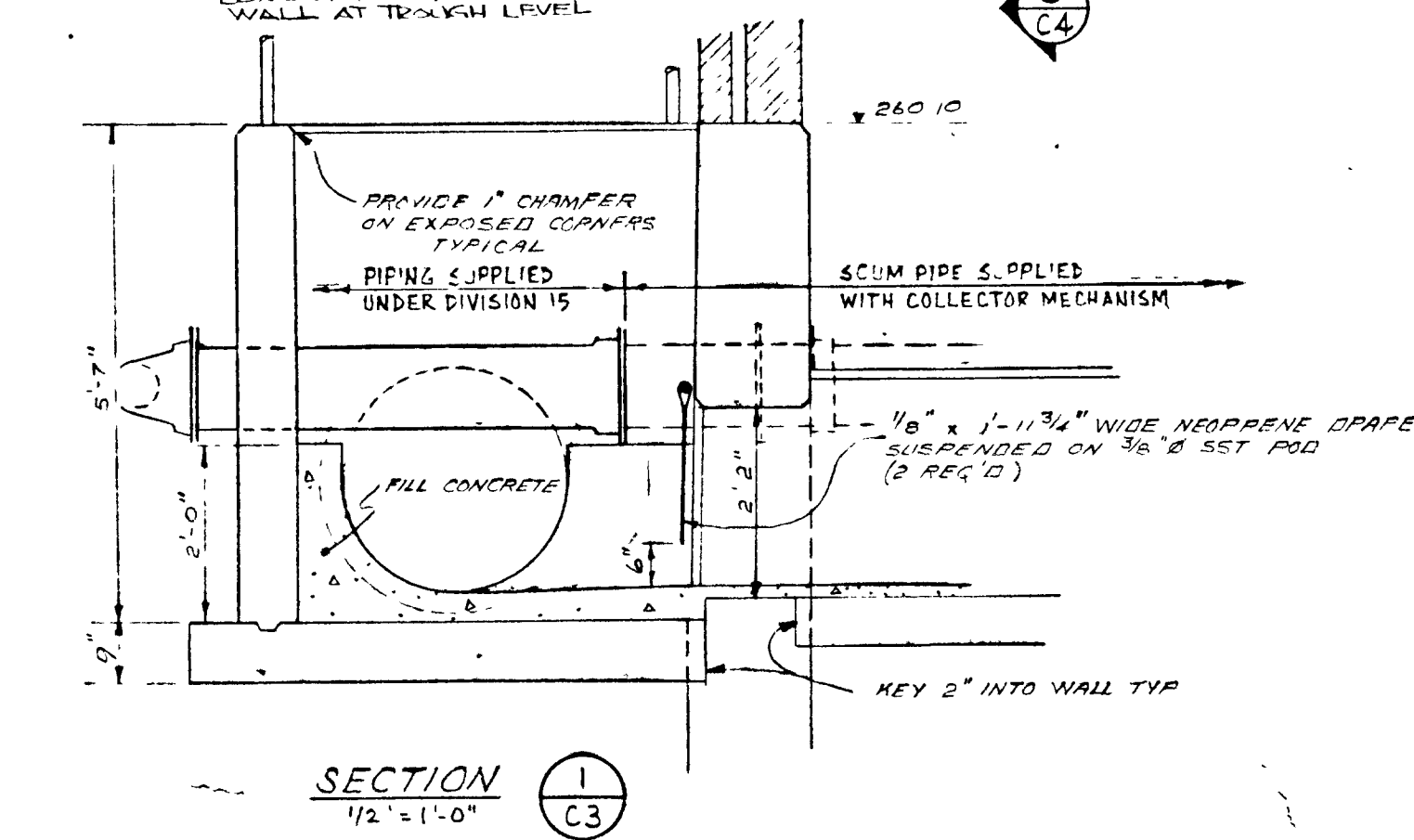
THIS DRAWING IS APPROVED
FOR CONSTRUCTION PURPOSES
By: J. D. LEE Date: 22.03.78 Job No: J14
& D. LEE ENGINEERING LIMITED



TOWN OF NAPANEE					
WATER POLLUTION CONTROL PLANT - STAGE 2 CONTRACT					
AERATION TANK - CONCRETE & ARCHITECTURAL - SECTIONS					
4.	MAR/83	AS-BUILT	M.S.	J. D. LEE ENGINEERING LIMITED	
1.	81-08-05	CHANGE ORDER #1	M.S.	CONSULTING ENGINEERS - KINGSTON BRANTFORD, ONT.	
2.	81-06-12	GENERAL	SK	DESIGN	J.D.L. J.S.L.
1.	26.1.1978	GENERAL	SK	DWN	S.M.
DATE	REVISION	CHK	QUANT.	SCALE AS SHOWN	JOB NO 1314
				DWG NO 1209 C	DATE 30 MAR 78
				SHEET C2	REVISION 4



DETAIL (3/C3)
1" = 1'-0"



GREATER NAPANEE WATER SUPPLY & POLLUTION CONTROL BOARD
75 EAST STREET, NAPANEE, ONTARIO N7R 1S3 (613) 354-9338 FAX (613) 354-2838

PROJECT 1314 CLARIFIER - CONCRETE & ARCHITECTURAL
PLAN - STAGE 2
SEWAGE TREATMENT PLANT

APPROVED BY _____ SPECIFICATIONS _____

DESIGNED BY _____ DATE MAR 1978 SCALE AS SHOWN

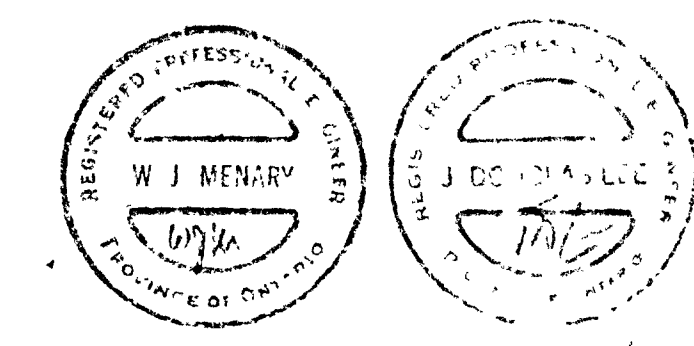
DRAWN BY _____ DWG NO WPCP-1978/1-ARCH-NO 4/43

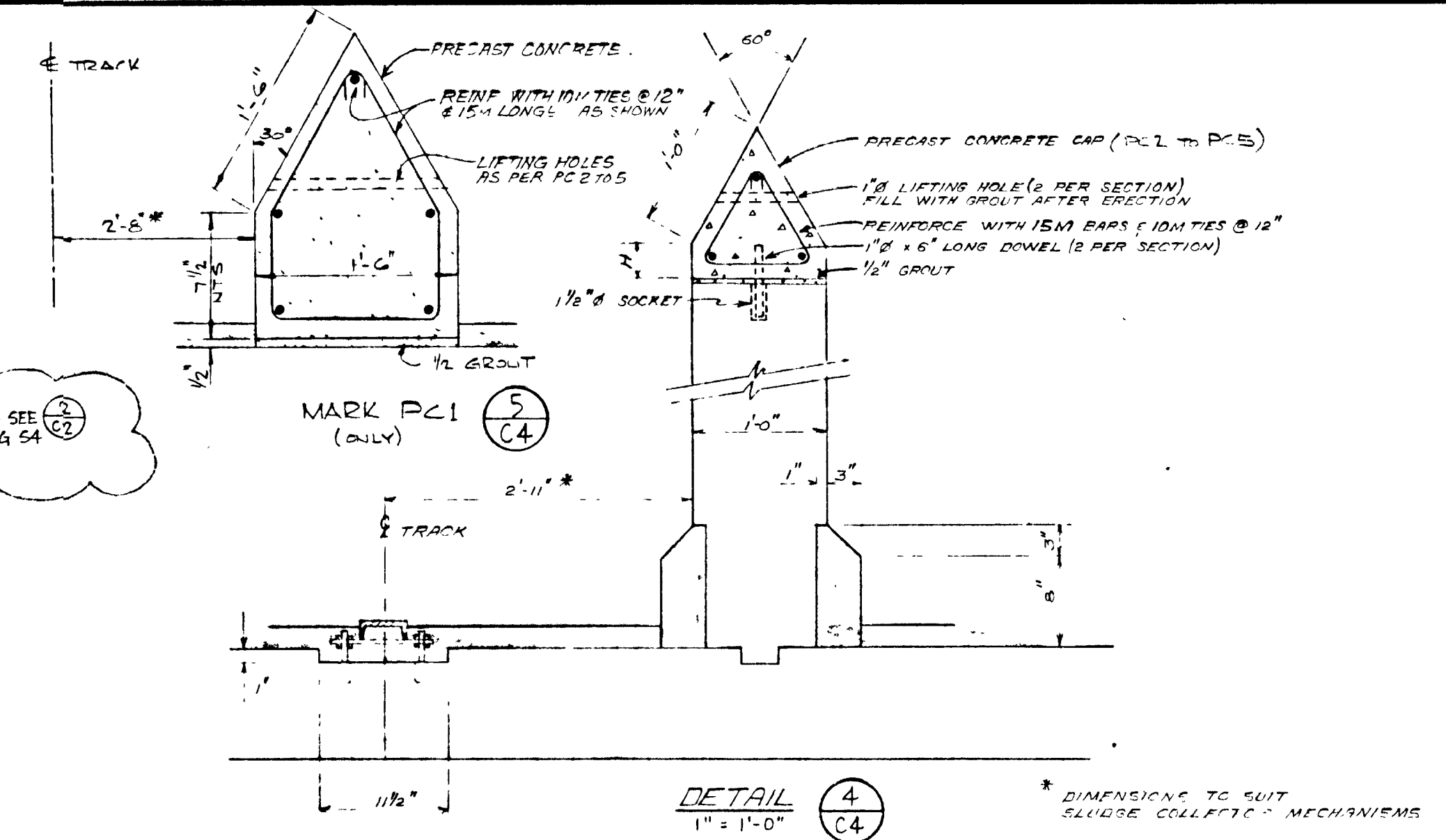
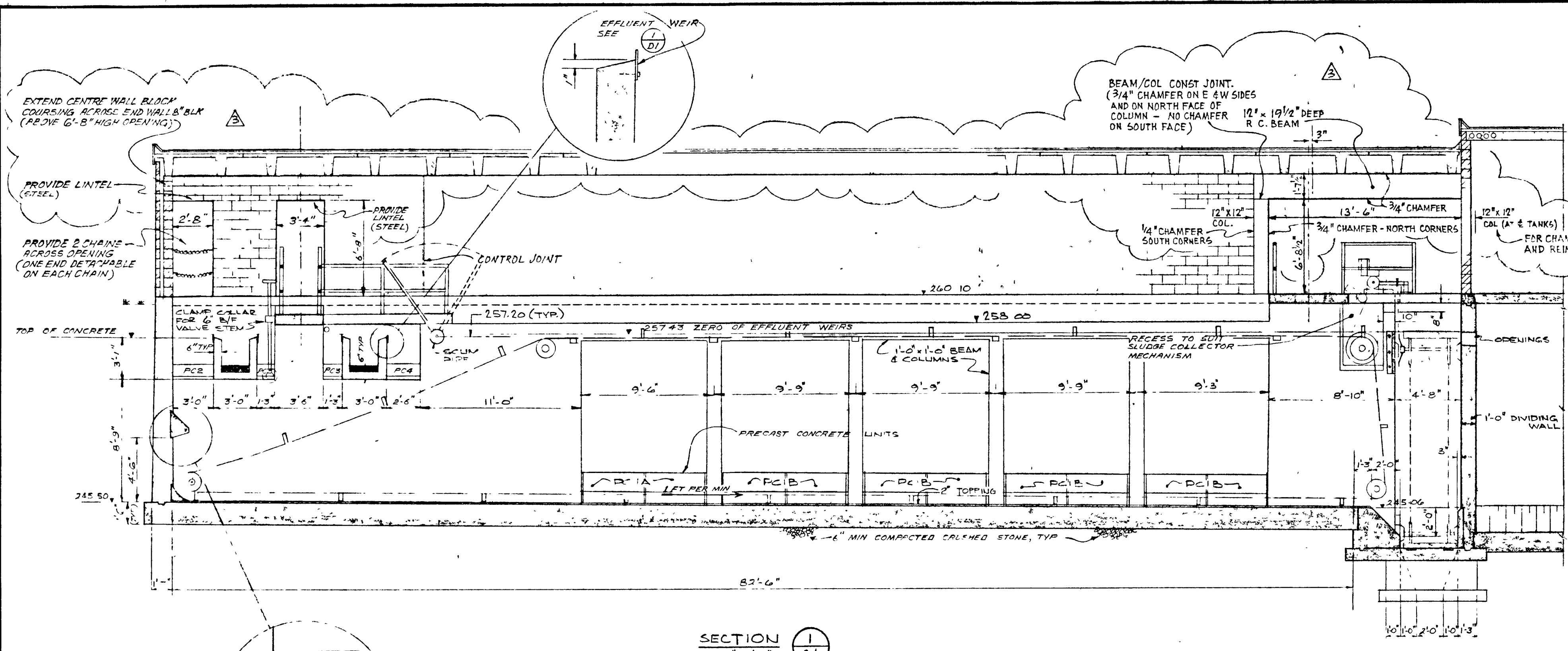
Napanee UTILITIES WPCP 051

THIS DRAWING IS APPROVED FOR CONSTRUCTION PURPOSES
DATE 28 MAR 1978 JOB NO. 1314
J. D. LEE ENGINEERING LIMITED

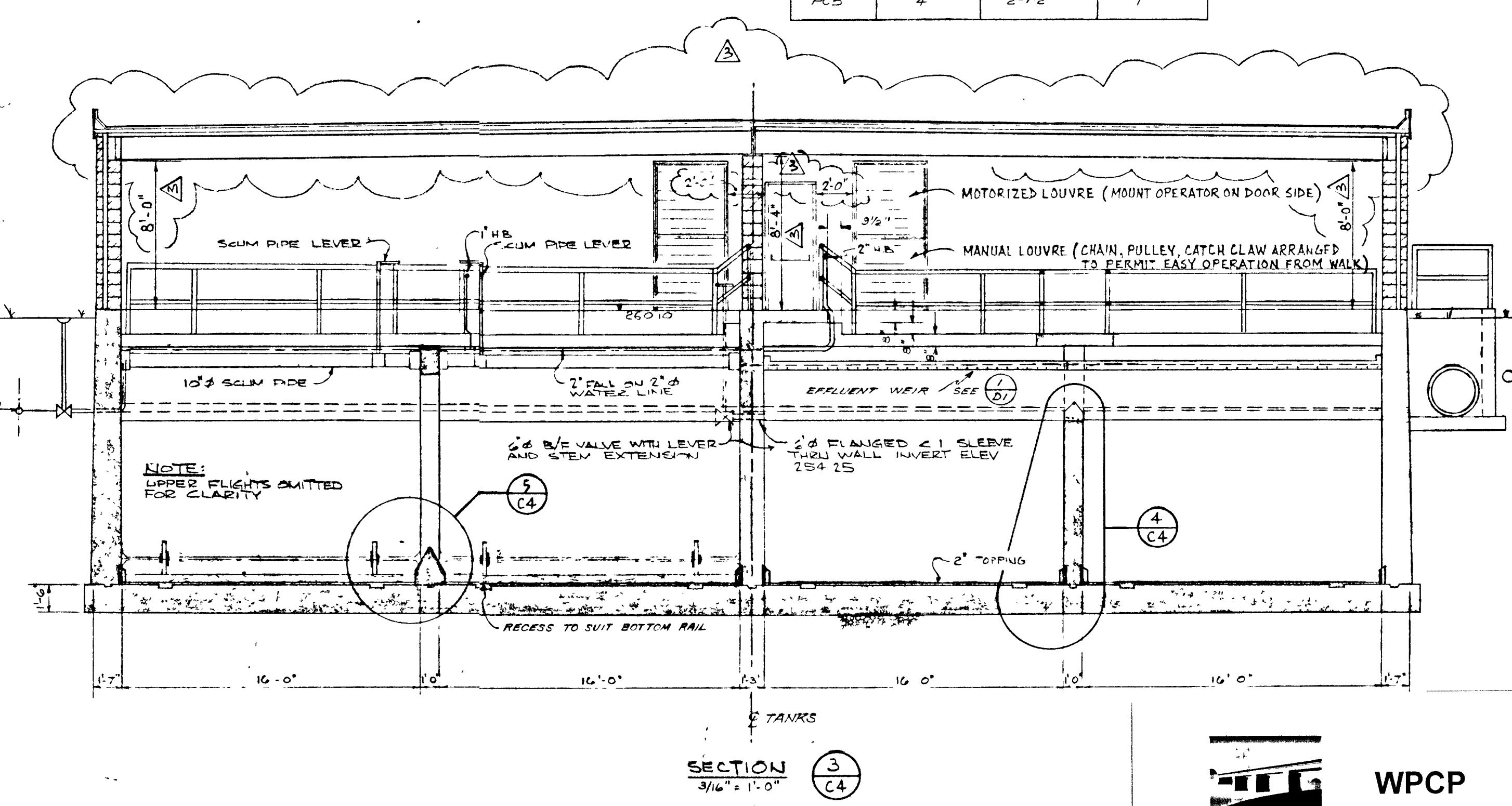
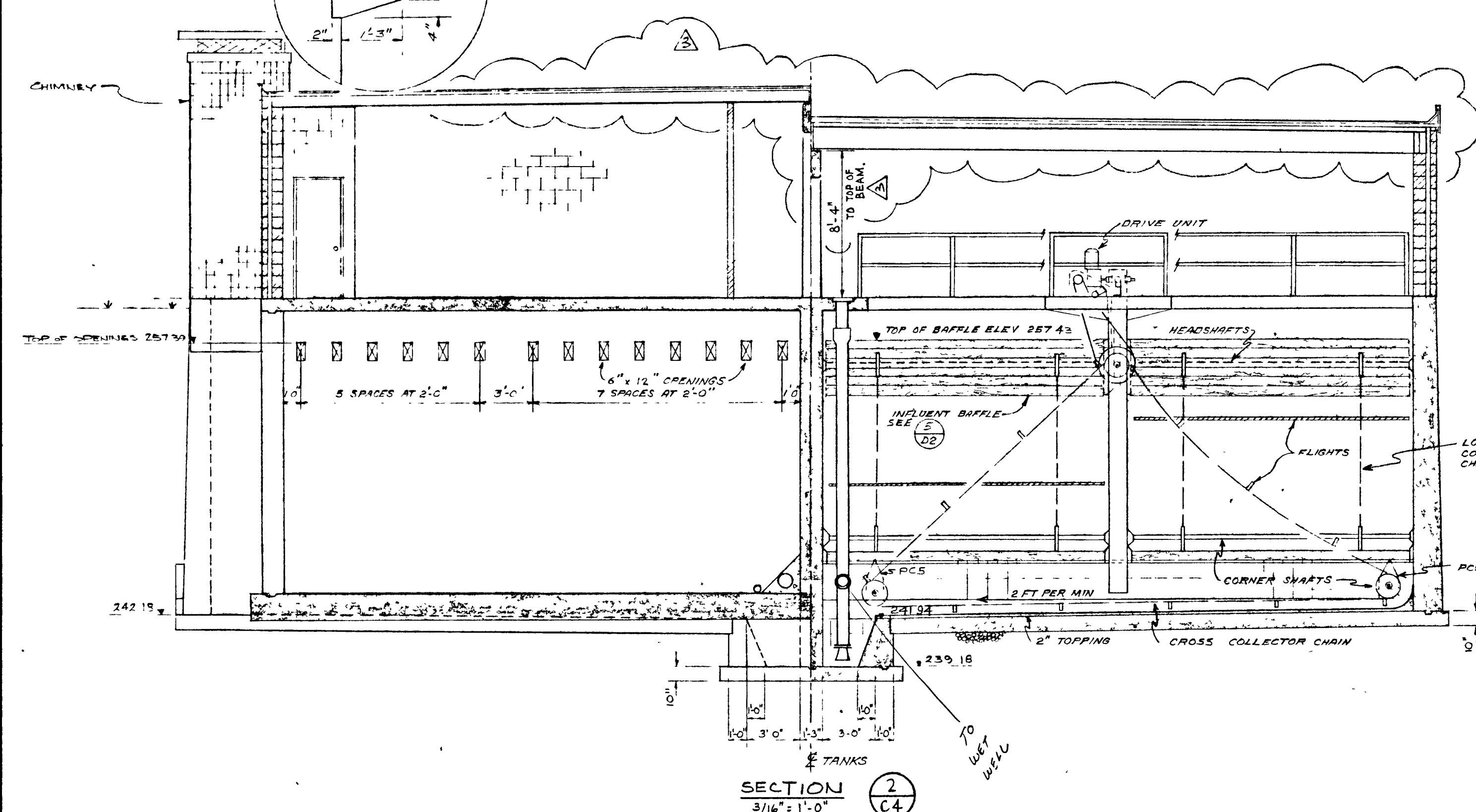
TOWN OF NAPANEE
WATER POLLUTION CONTROL PLANT - STAGE 2 CONTRACT
CLARIFIERS - CONCRETE & ARCHITECTURAL - PLAN

J D LEE ENGINEERING LIMITED					
CONSULTING ENGINEERS - KINGSTON BRANTFORD, ONT.					
DATE	REVISION	CHK	QUANT	SCALE	JOB NO.
MAR/83	AS-BUILT	M.S.		AS SHOWN	1314
01-06-12	GENERAL	J.R.	DESIGN		
26-JUN-78	GENERAL	J.L.	DWN	S.M.	
	REVISION	CHK	QUANT	DWG NO.	SHEET.
				1209 C	C3
					3



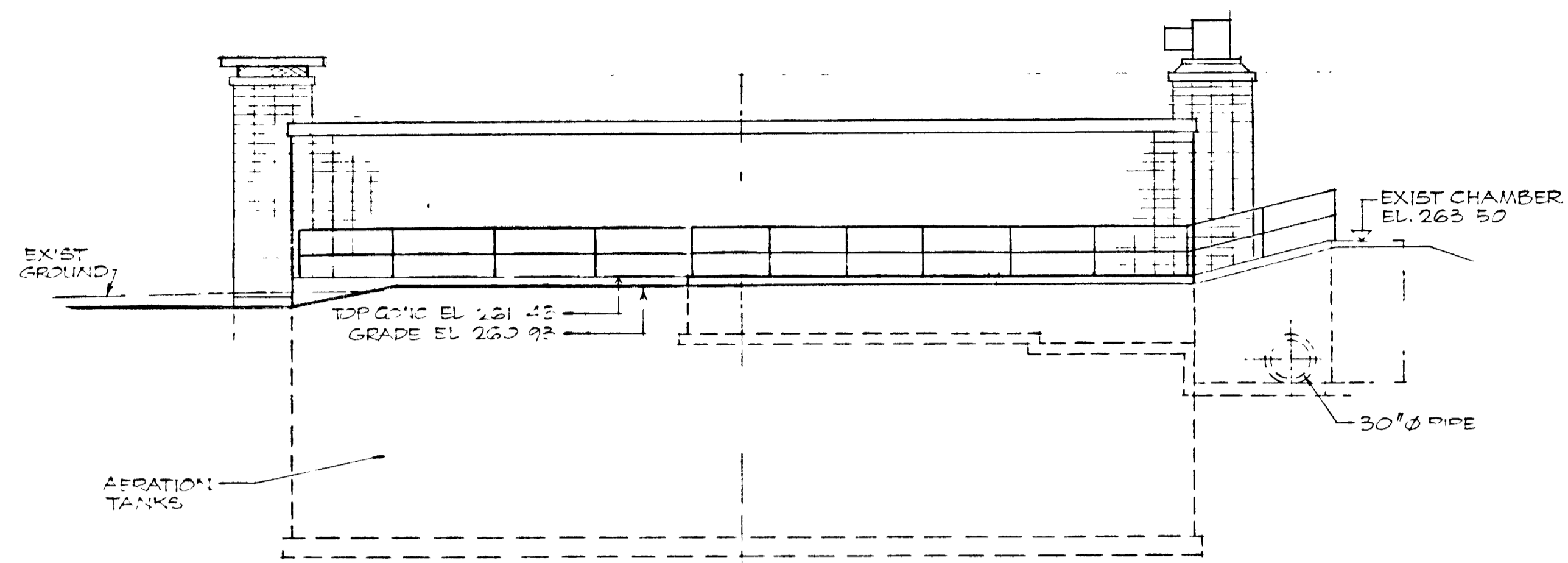


PRECAST CONCRETE			
MARK	QUANTITY	LENGTH	H
PC1	4	4'-5 3/4"	7"
PC1	12	4'-3 3/4"	7"
PC2	2	2'-11"	3"
PC3	4	1'-2"	3"
PC4	2	2'-5"	3"
PC5	4	2'-1 1/2"	1"

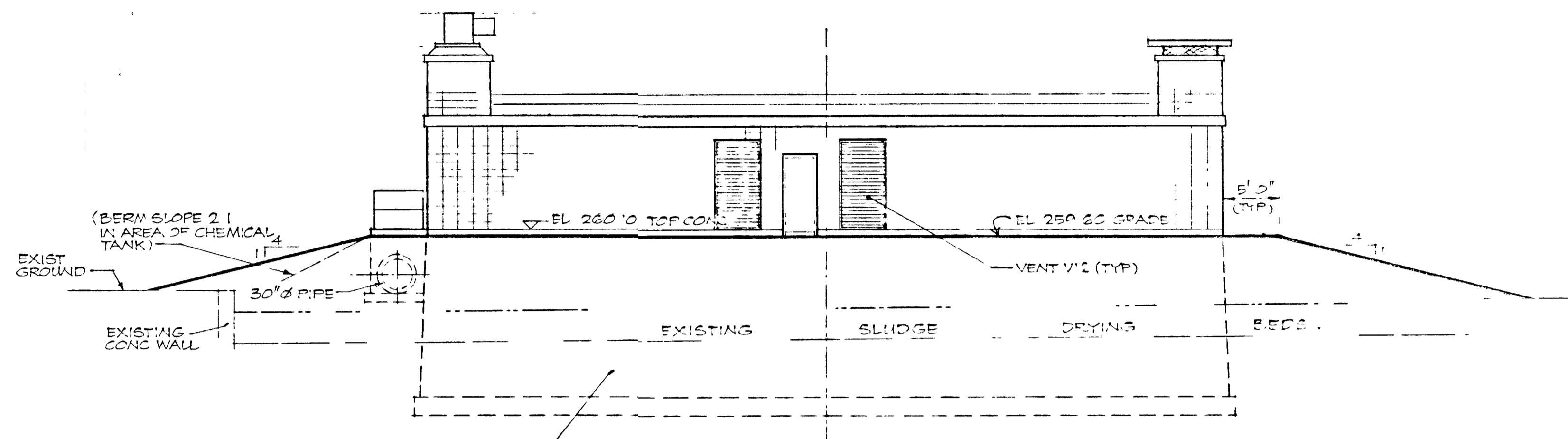


GREATER NAPANEE WATER SUPPLY & POLLUTION CONTROL BOARD
 75 EAST STREET, NAPANEE, ONTARIO K7R 1S8 (819) 354-9338 FAX (819) 354-2838
 PROJECT: 1314 CLARIFIERS - CONCRETE & ARCHITECTURAL SECTIONS STAGE 2 SEWAGE TREATMENT PLANT
 APPROVED BY: _____ SPECIFICATIONS: _____
 DESIGNED BY: _____ DATE: MAR 1973 SCALE: AS SHOWN
 DRAWN BY: _____ DWG NO: WPCP-1978/1-ARCH-NO 5/45

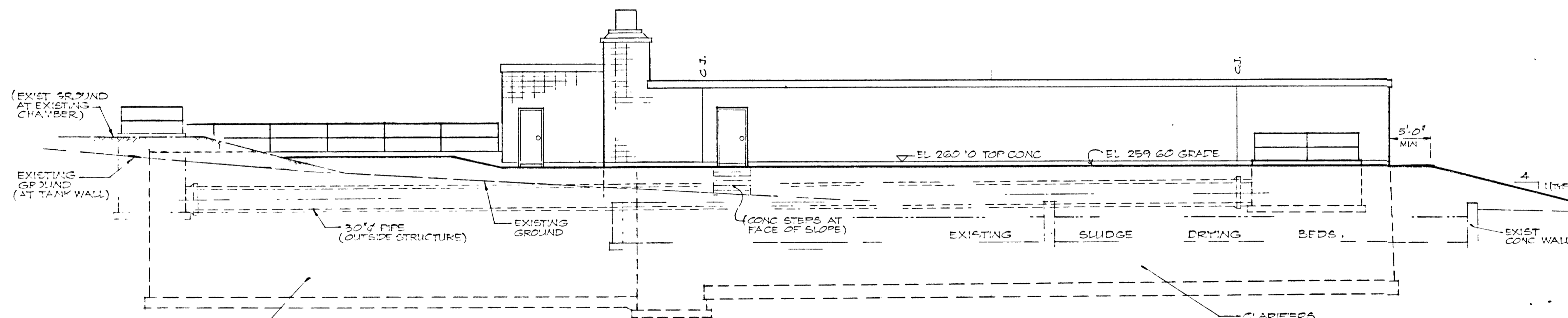
Napanee UTILITIES WPCP 052
 TOWN OF NAPANEE
 WATER POLLUTION CONTROL PLANT - STAGE 2 CONTRACT
 CLARIFIERS - CONCRETE & ARCHITECTURAL - SECTIONS
 AS-BUILT M.S. J. D. LEE ENGINEERING LIMITED
 81-08-05 CHANGE ORDER #1 M.S. CONSULTING ENGINEERS - KINGSTON BRANTFORD, ONT.
 81-03-12 GENERAL J.K. DESIGN J.K. J.K. SCALE AS SHOWN JOB NO 1314 DATE 30 MAR 78
 76-00-76 GENERAL D.W. D.W. S.M. DWG NO. 1209 C SHEET C4 REVISION 3



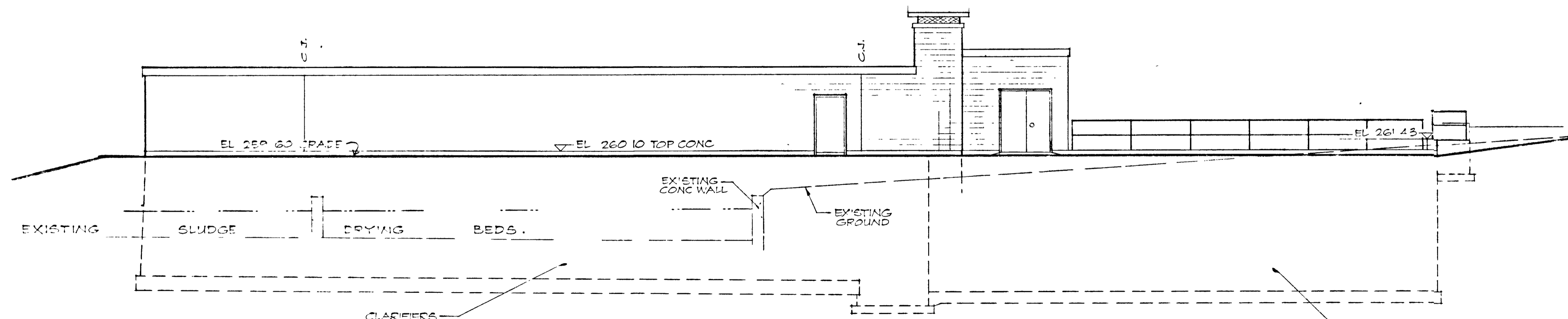
NORTH ELEVATION



SOUTH ELEVATION



WEST ELEVATION



EAST ELEVATION

GREATER NAPANEE WATER SUPPLY & POLLUTION CONTROL BOARD 75 EAST STREET, NAPANEE, ONTARIO K7R 1S3 (613) 354-9238 FAX (613) 354-2836		
PROJECT 1314 AERATION/CLARIFIER BUILDING CONCRETE & ARCHITECTURAL - ELEVATIONS SEWAGE TREATMENT PLANT		
APPROVED BY	SPECIFICATIONS	
DESIGNED BY	DATE MAR 1978	SCALE AS SHOWN
DRAWN BY	DWG NO WPCP-1978/1-ARCH-Nº 6/43	

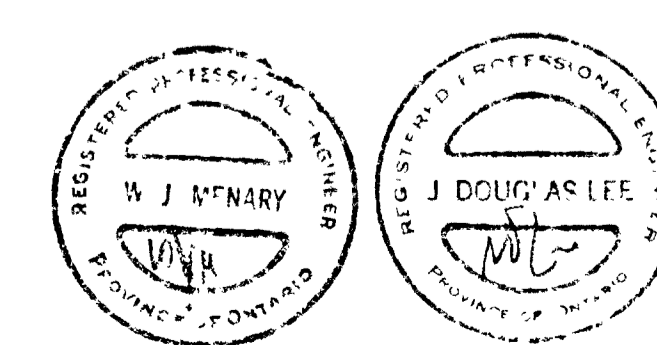
NOTES

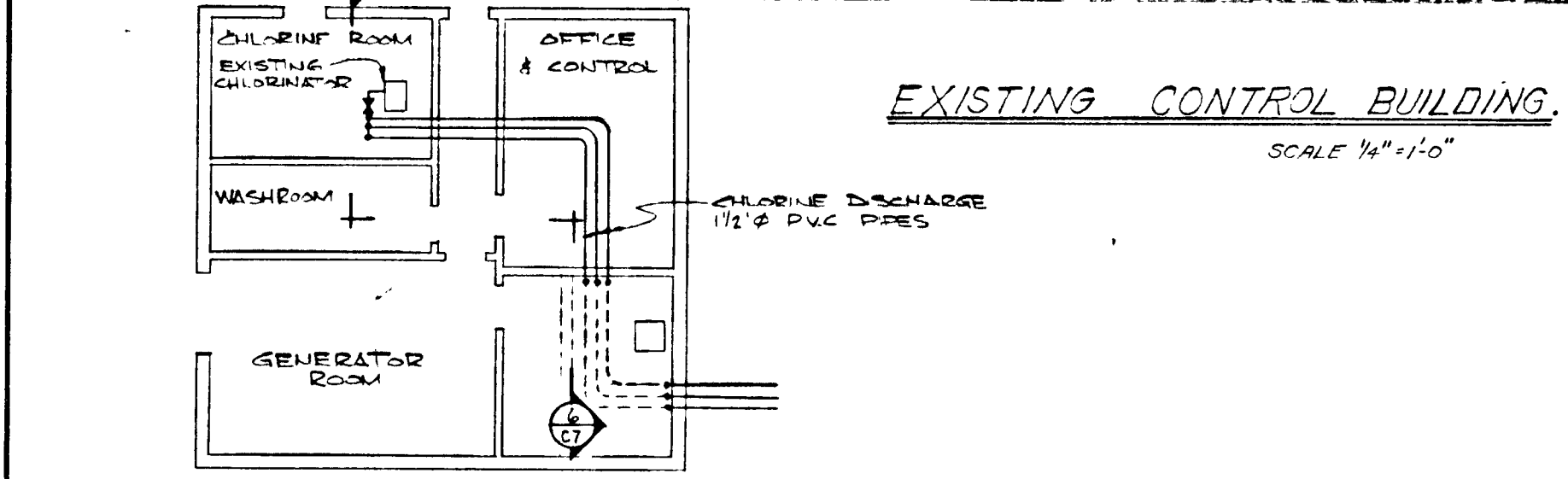
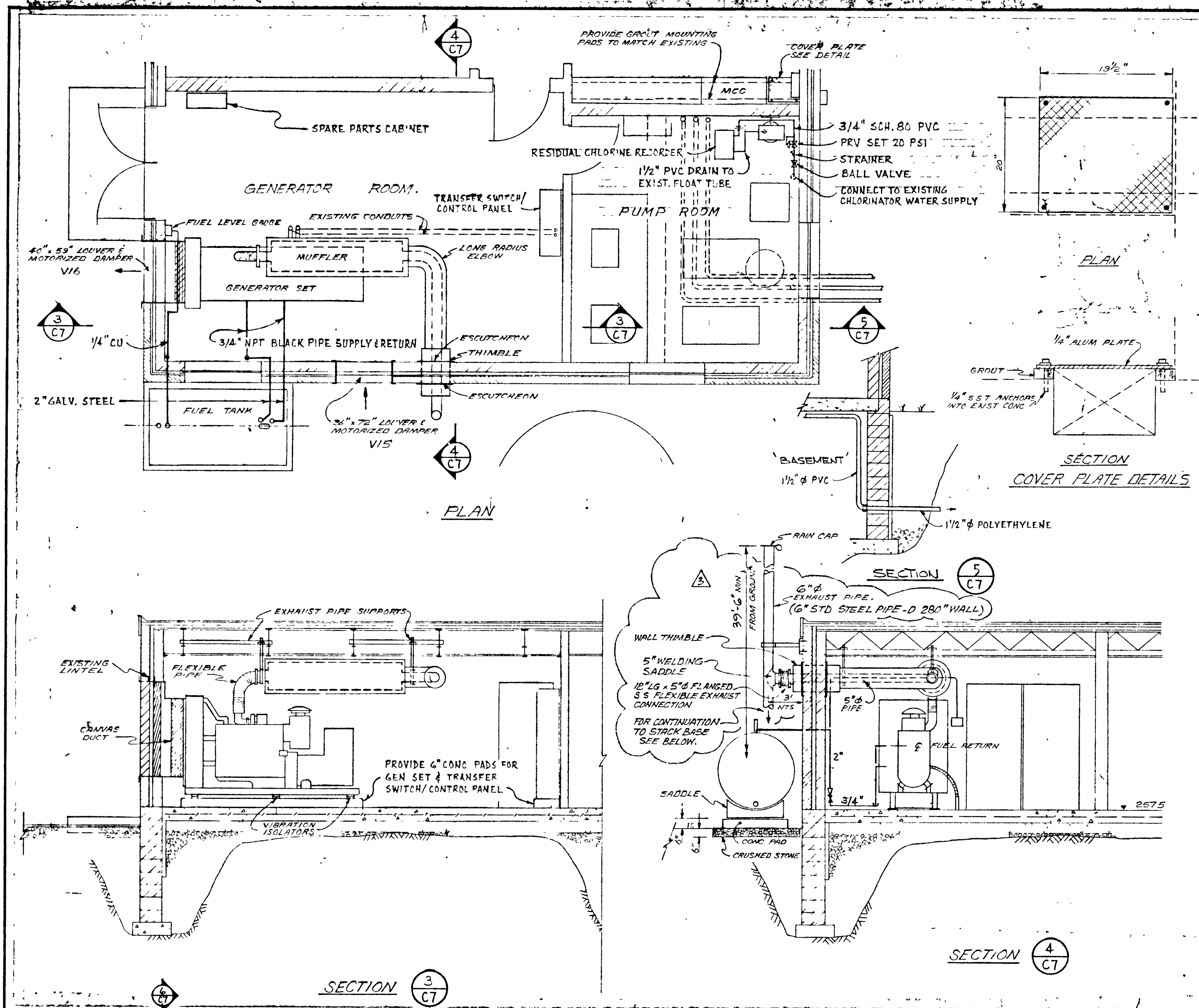
C.J. = CONTROL JOINT IN MASONRY
 (ALL MASONRY CONTROL JOINTS ALONG EAST & WEST WALLS OF THIS BUILDING ARE TO BE LOCATED DIRECTLY OVER CONTROL JOINTS IN THE SUPPORTING TANK WALL UNDER)

WPCP 053

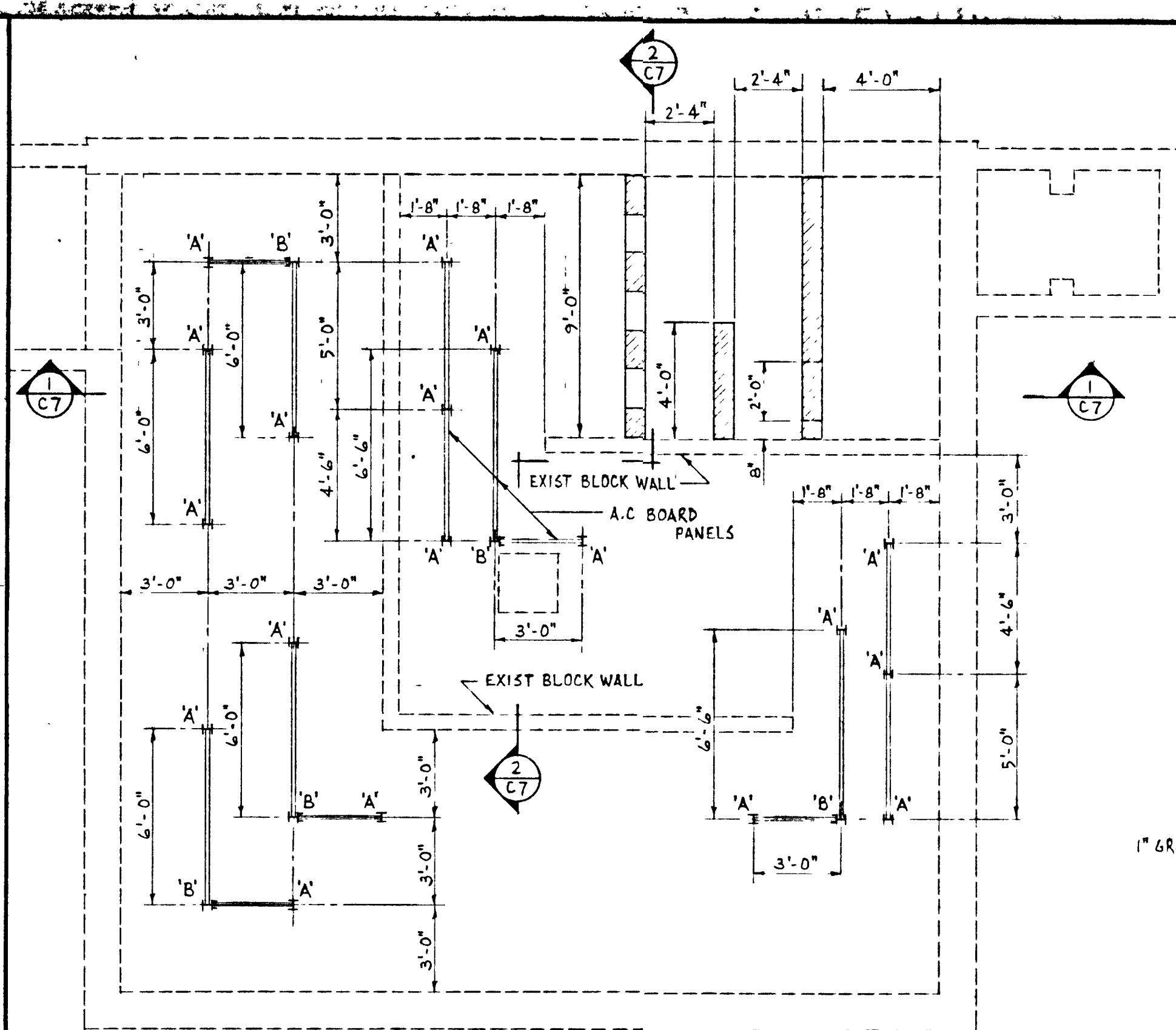
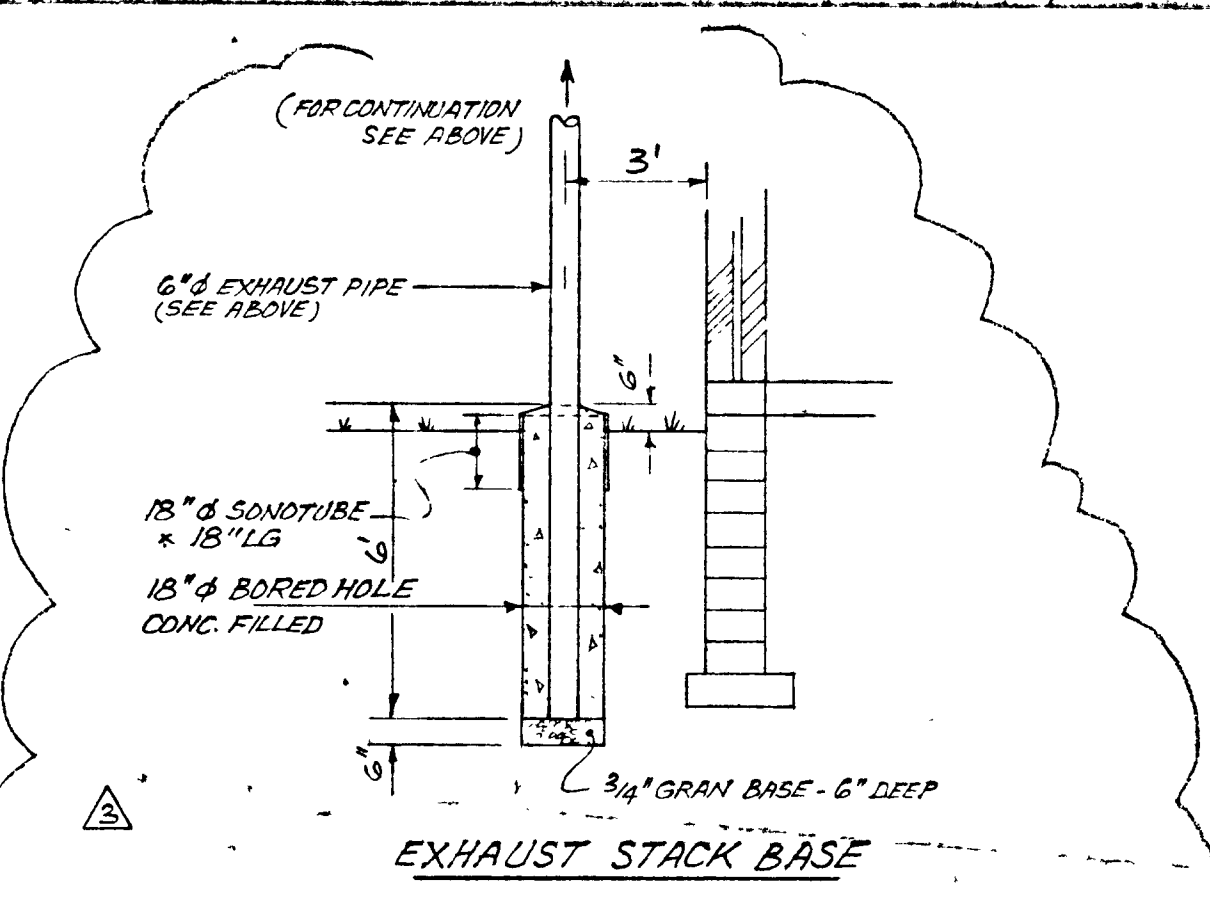
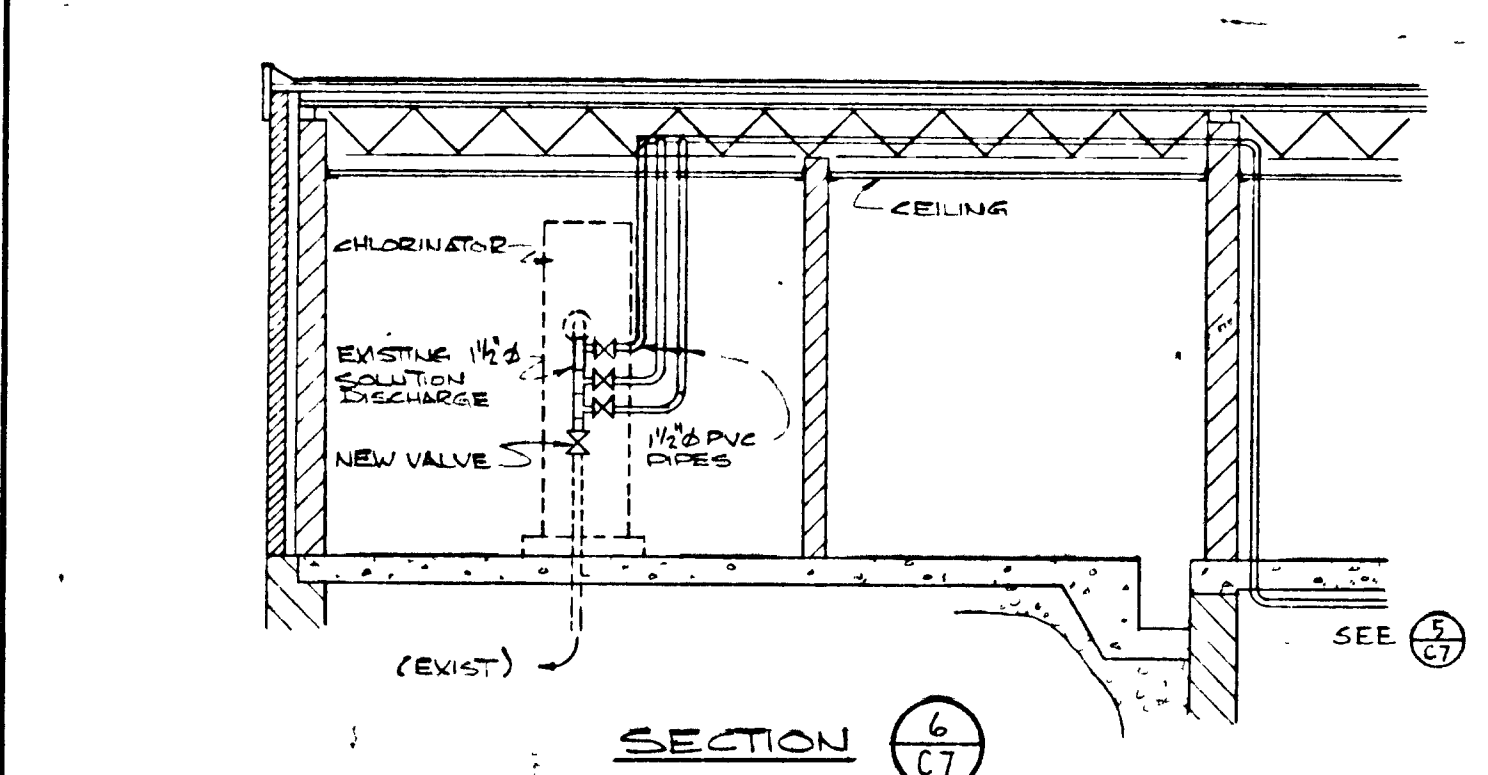
THIS DRAWING IS APPROVED FOR CONSTRUCTION PURPOSES
 By *J. D. Lee* Date **28.20.81** Job No **1314**
J. D. LEE ENGINEERING LIMITED

TOWN OF NAPANEE					
WATER POLLUTION CONTROL PLANT - STAGE 2 CONTRACT					
AERATION/CLARIFIER BUILDING - CONCRETE & ARCHITECTURAL - ELEVATIONS					
J D LEE ENGINEERING LIMITED					
CONSULTING ENGINEERS - KINGSTON BRANTFORD, ONT					
AS-BUILT	DESIGN	SCALE	JOB NO.	DATE	
		1/8" = 1'-0"	1314	30 MAR 78	
DATE	REVISION	CHK	QUANT	DWG NO	SHEET
				1209C	C5
					REVISION
					1

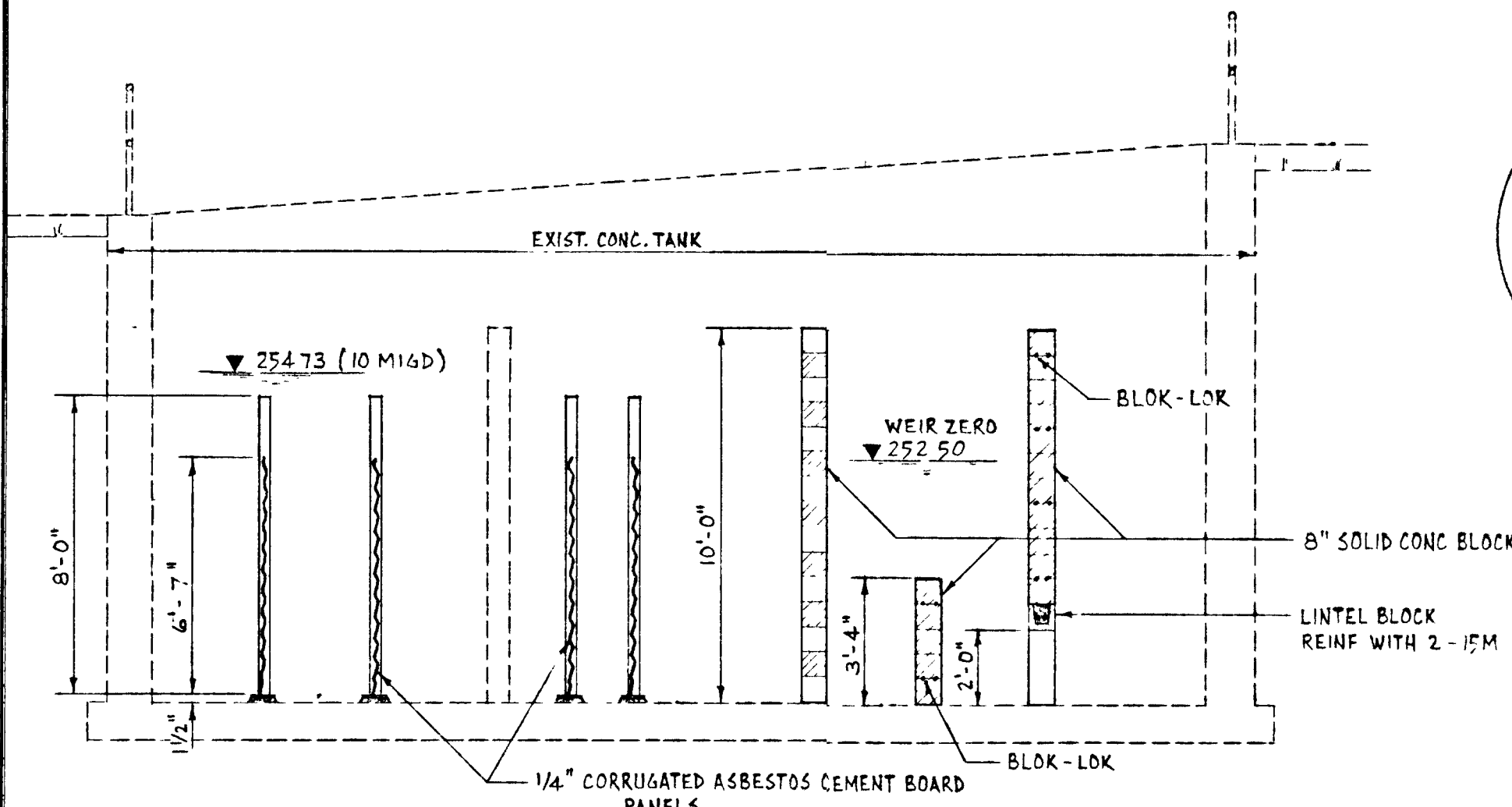




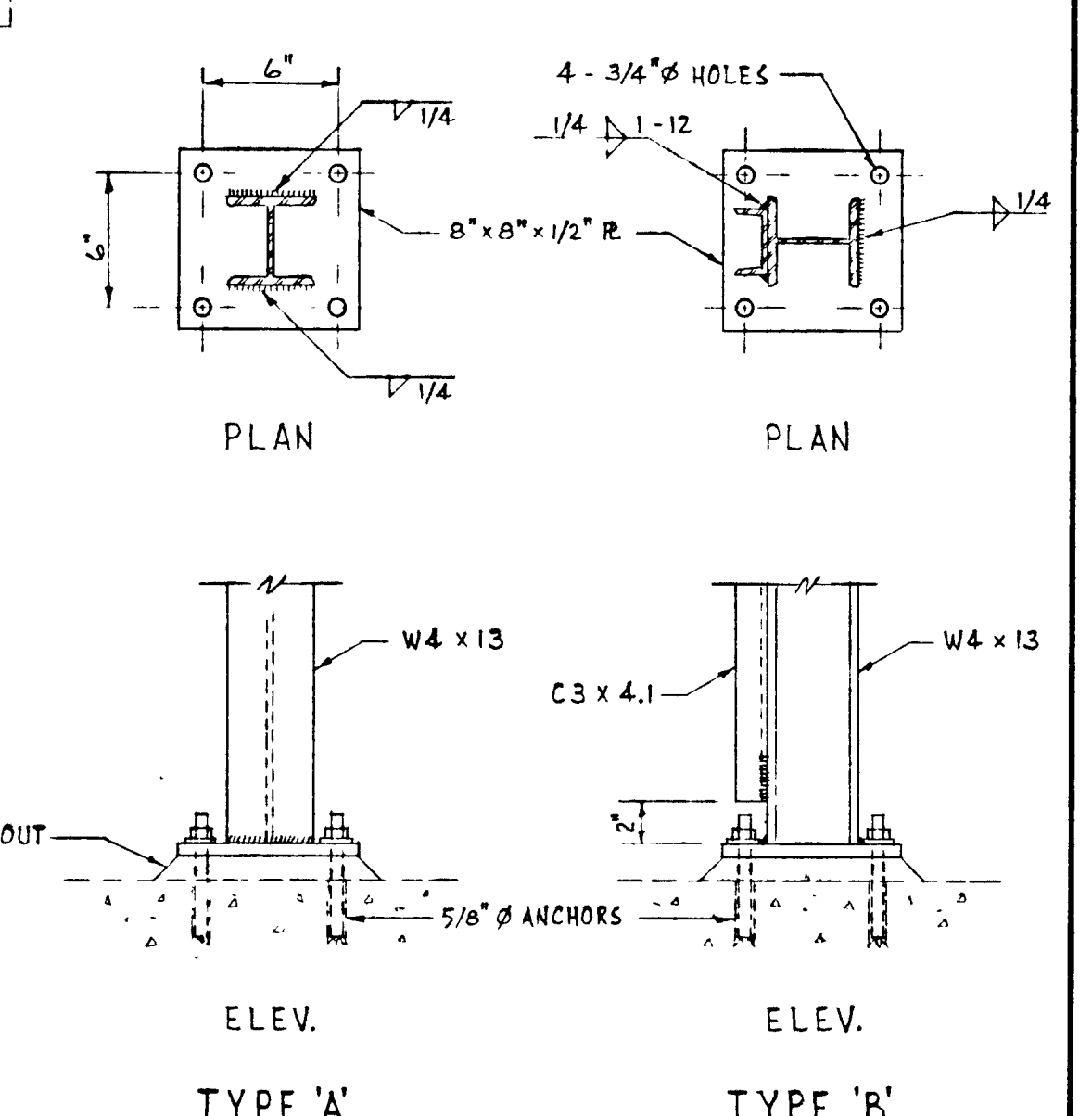
KEY PLAN OF EXIST CONTROL BLDG SHOWING CHLORINE DISCHARGE PIPES



PLAN
1/4" = 1'-0"



SECTION 1 C7
1/4" = 1'-0"



POST DETAILS
1/2" = 1'-0"

- CHLORINE CONTACT TANK -

GREATER NAPANEE WATER SUPPLY & POLLUTION CONTROL BOARD 75 EAST STREET, NAPANEE, ONTARIO N0R 1S8 (519) 354-9238 FAX (519) 354-2036			
PROJECT 1314 CONTROL BUILDING & CHLORINE CONTACT TANK - STAGE 2 SEWAGE TREATMENT PLANT			
APPROVED BY	SPECIFICATIONS		
DESIGNED BY	DATE	SCALE	
DRAWN BY	DWG NO		
	MAR 1978	AS SHOWN	
	WPCP-1978/1-ARCH-NO 8/43		

TOWN OF NAPANEE WATER POLLUTION CONTROL PLANT - STAGE 2 CONTRACT CONTROL BUILDING & CHLORINE CONTACT TANK			
MAR/83	AS-BUILT	M.S.	J. D. LEE ENGINEERING LIMITED
81.08.05	CHANGE ORDER #1	M.S.	CONSULTING ENGINEERS - KINGSTON BRANTFORD. ONT
81.04.12	GENERAL	DESIGN	SCALE AS SHOWN
26.04.78	GENERAL	DWN	JOB NO 1314
DATE	REVISION	CHK	QUANT
			DATE 30MAR78
			REVISION 4



WPCP 055

QUANT	DWG NO.	DATE
5	1093	1978
REVISION	SHEET	NO.
30 MAR 78	1314	AS SHOWN
DATE	JOB NO.	SCALE
1978	1314	AS SHOWN
DESIGN	BY	SCALE
AS SHOWN	1314	AS SHOWN
CONSULTING ENGINEERS - KINGSTON, BRANTFORD, ONT.	J. D. LEE ENGINEERING LIMITED	
CONTROL PLANT - STAGE 2 CONTRACT		
OWN OF NAPANEE		

PROJECT: **BIA DIGESTED & BUILDING-CONCRETE & SEWAGE TREATMENT PLANT**

APPROVED BY: **J. D. LEE ENGINEERING LIMITED**

DATE: **MAY 1978**

DWG NO.: **WPCP-1978/1-1204-N/9/43**

SCALE: **AS SHOWN**

DESIGNED BY: **J. D. LEE ENGINEERING LIMITED**

CONSTRUCTION PURPOSE: **FOR THIS DRAWING IS APPROVED**

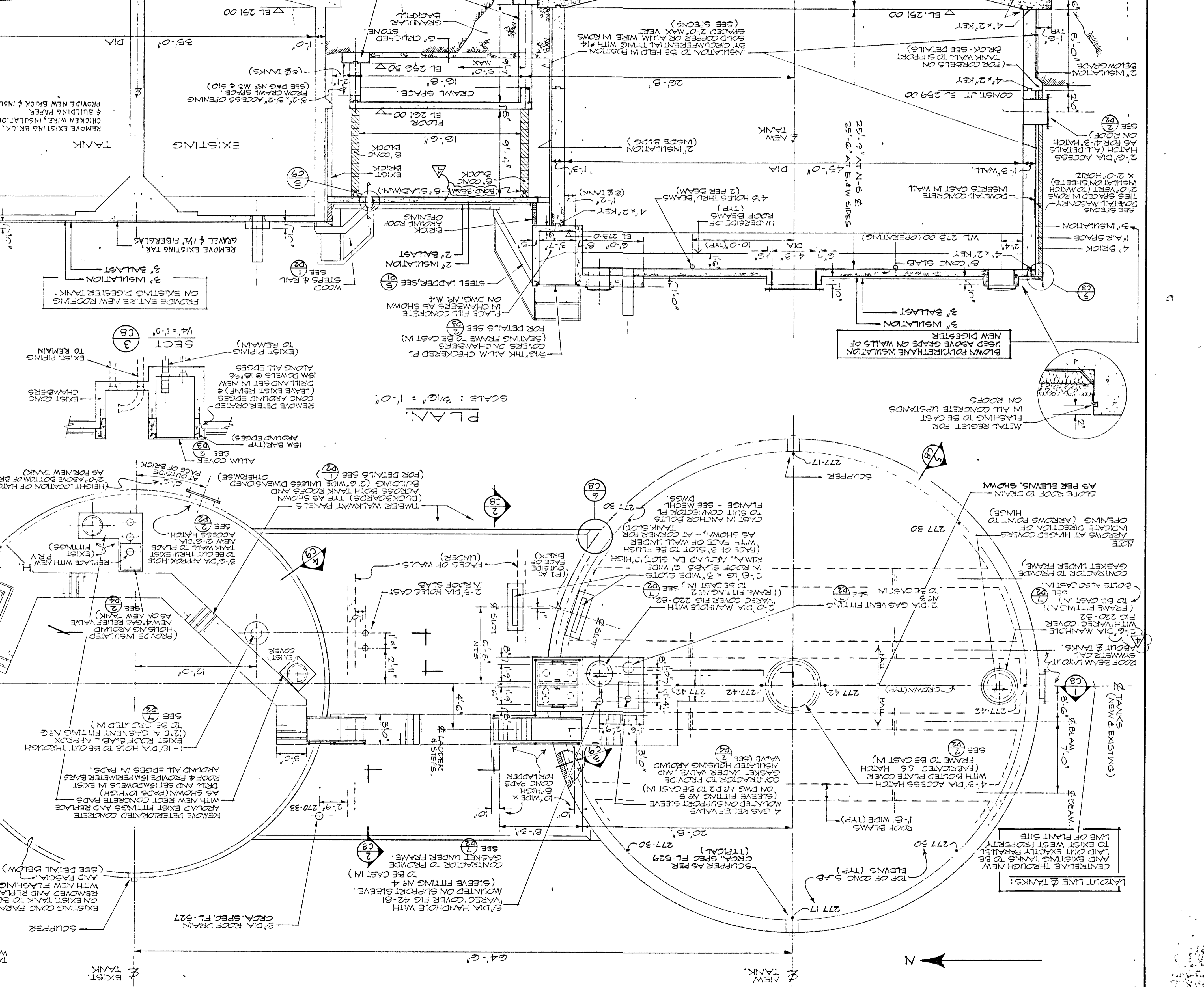
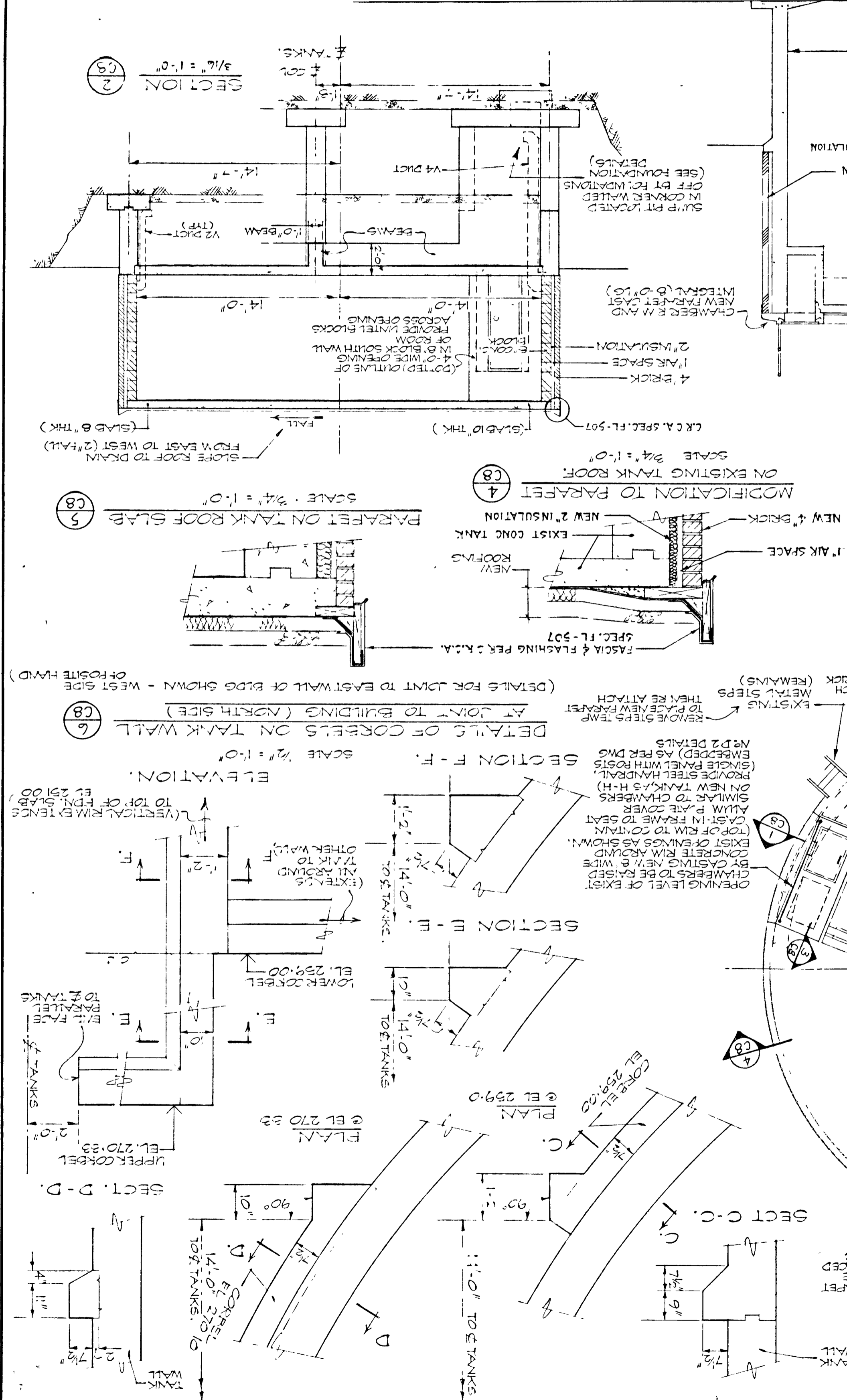
BY: **J. D. LEE ENGINEERING LIMITED**

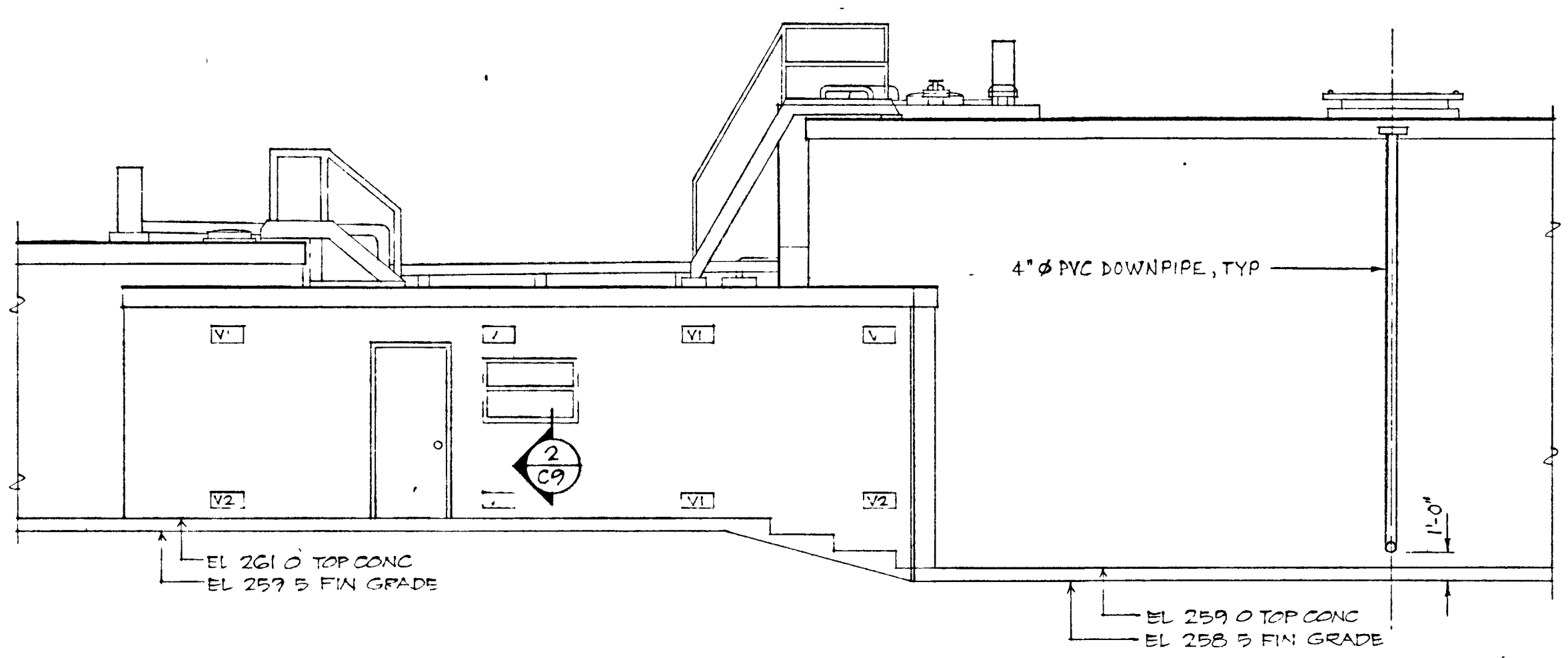
75 EAST STREET, NAPANEE, ONTARIO, CANADA N7A 1S5
 (519) 364-8338 FAX (519) 364-2838

APPROVED FOR CONSTRUCTION PURPOSE

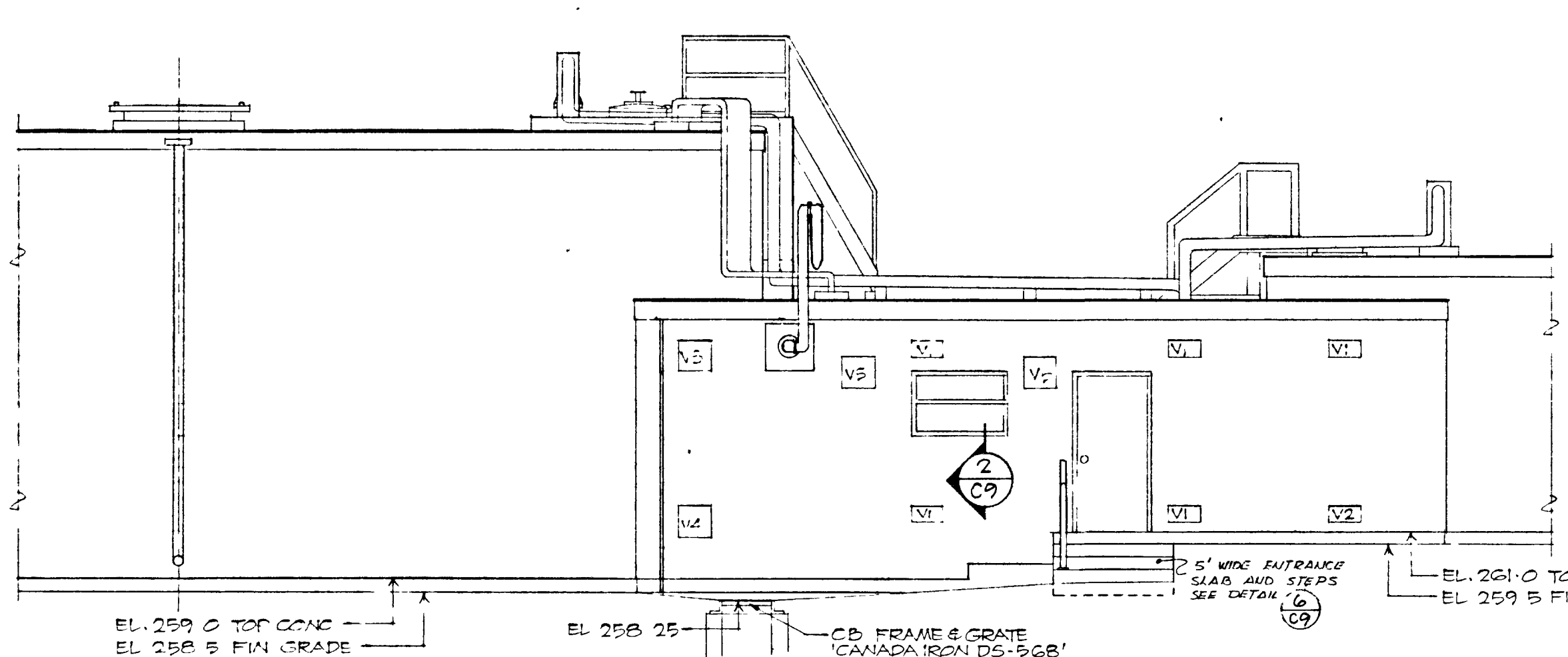
WPCP 056

Napanee

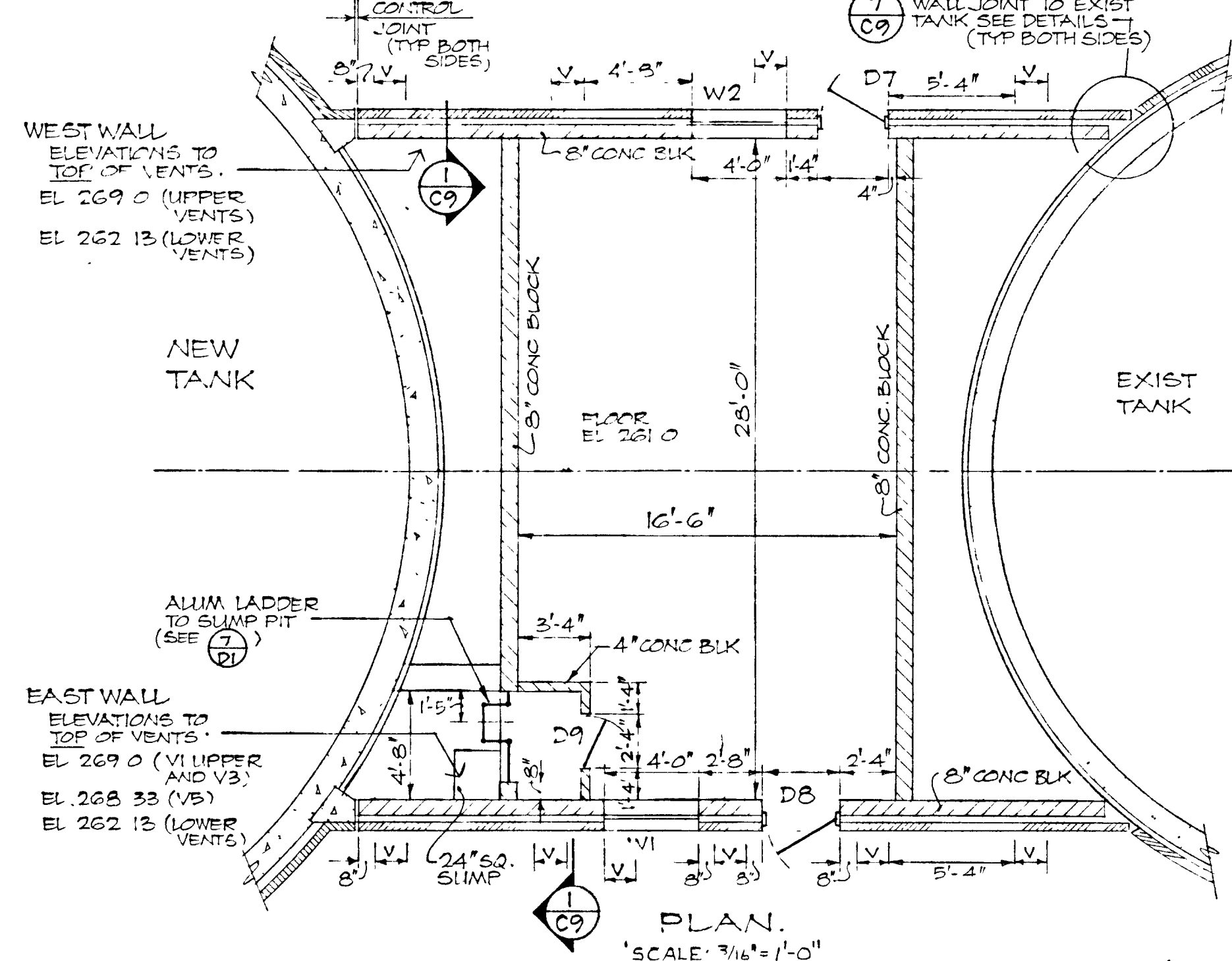




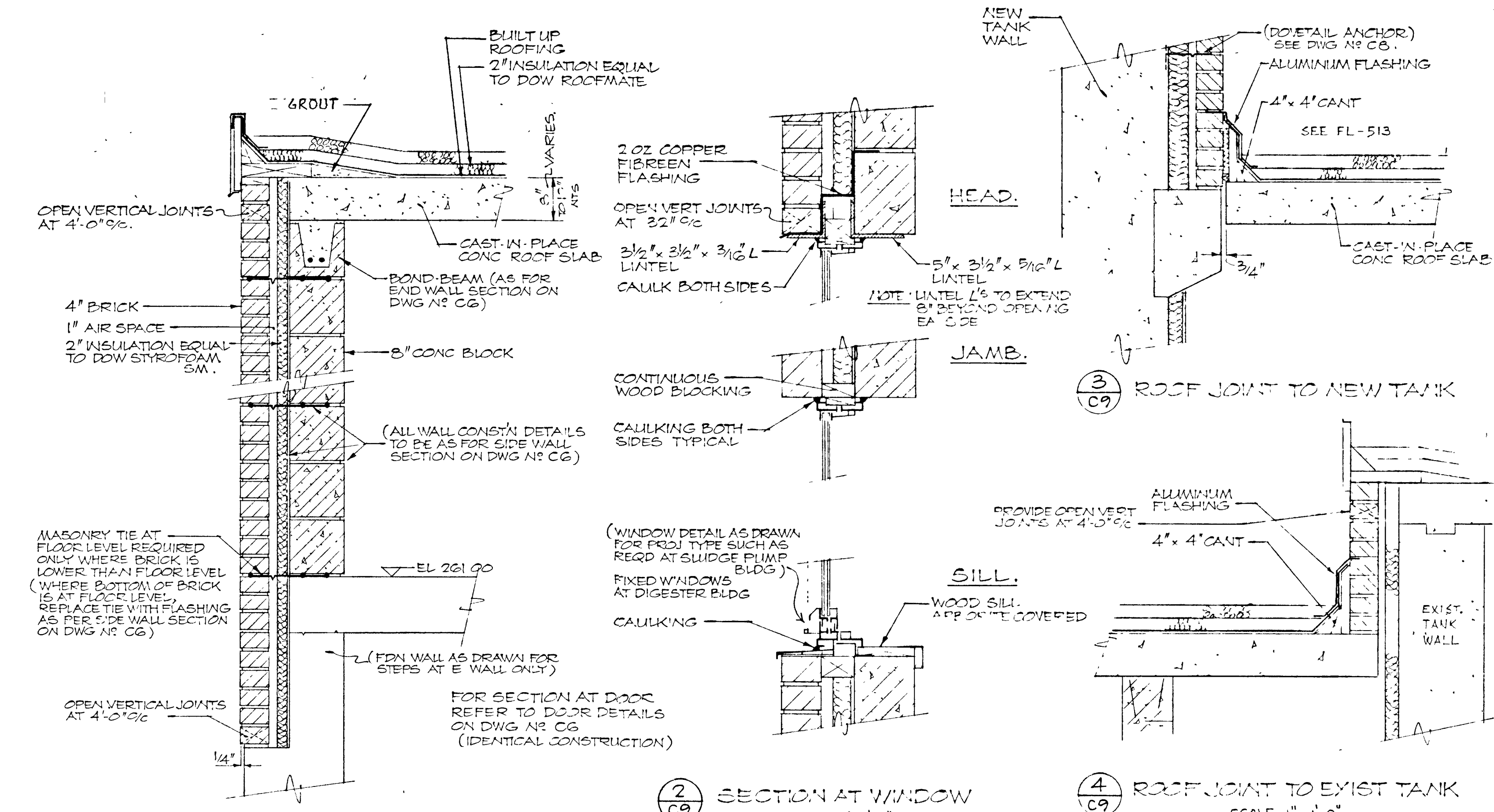
WEST ELEVATION
SCALE: 3/16" = 1'-0"



EAST ELEVATION
SCALE 3/16" = 1'-0"



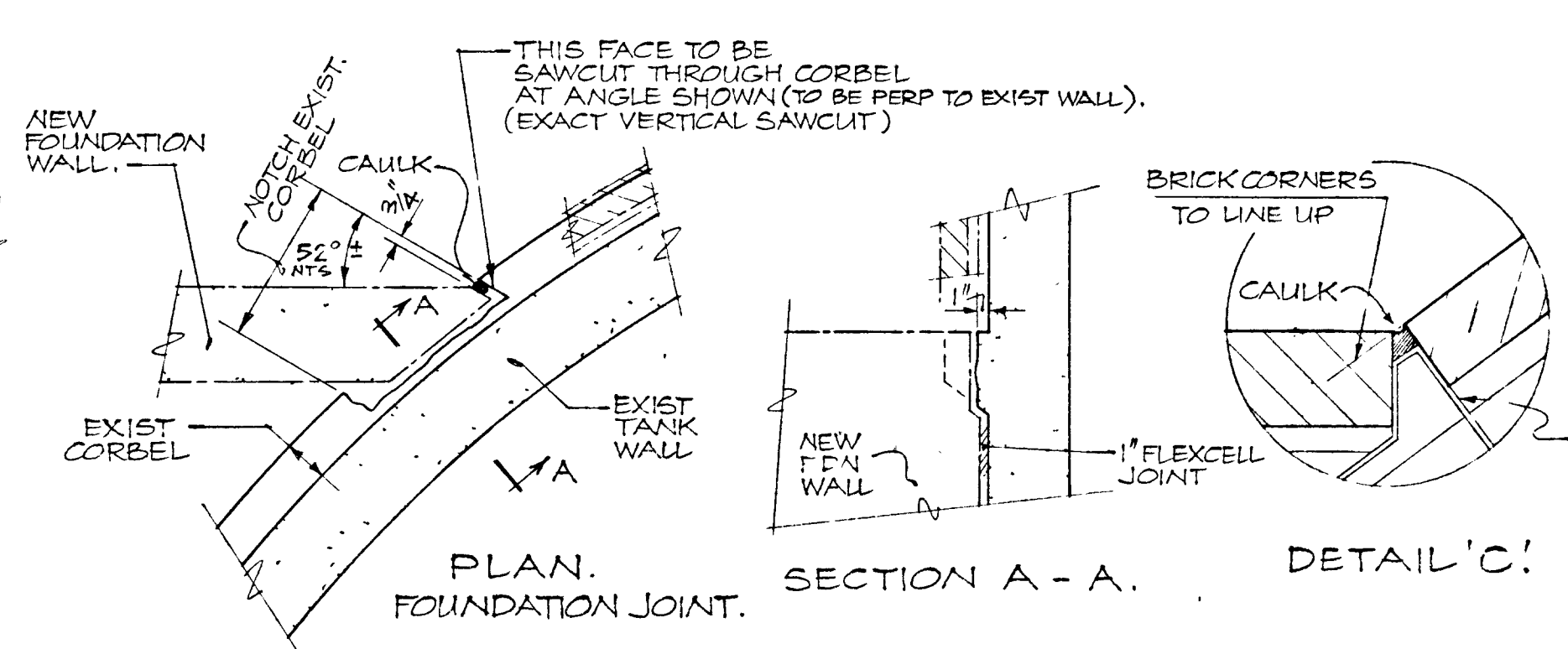
PLAN.
SCALE: 3/16" = 1'-0"



1 TYPICAL SECTION
EAST & WEST EXTERIOR WALLS
SCALE: 1" = 1'-0"

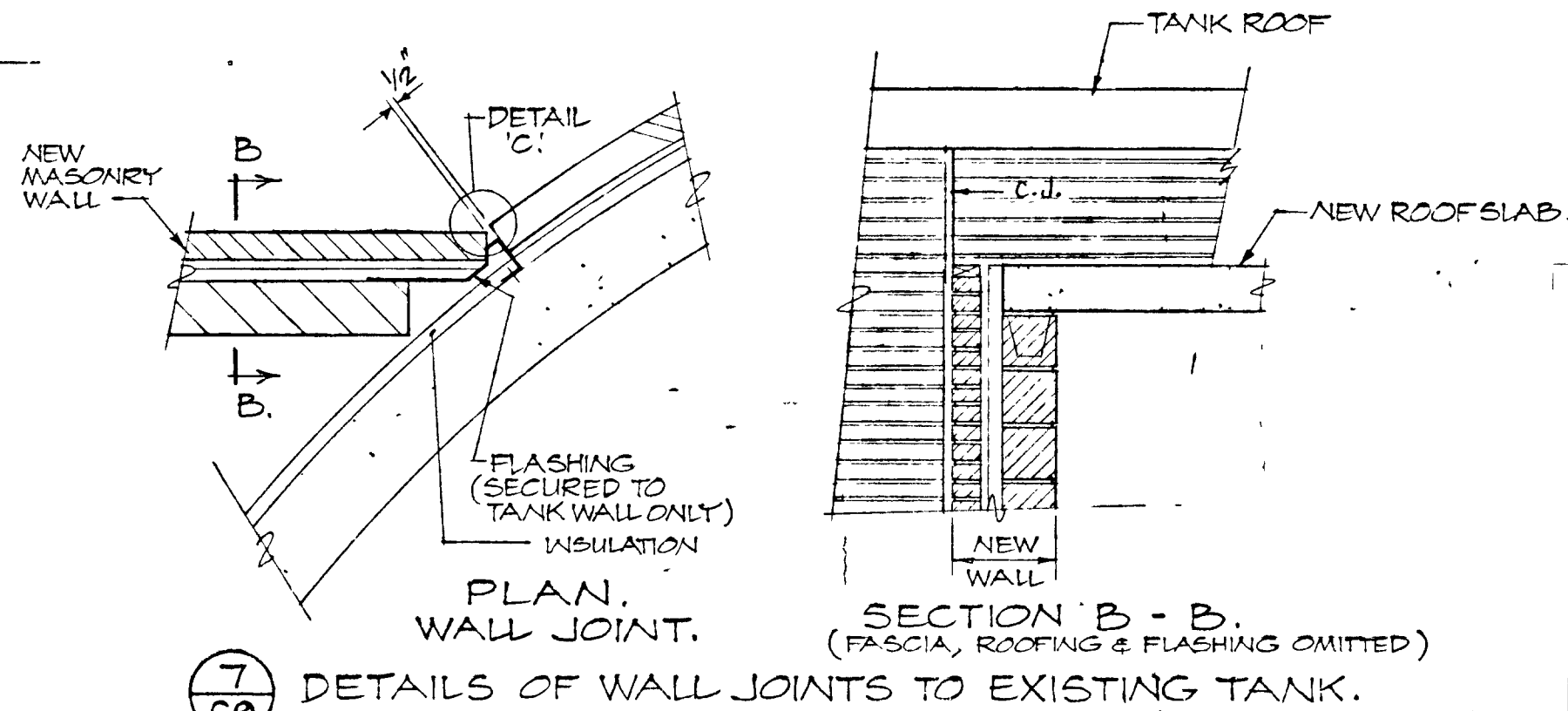
2 SECTION AT WINDOW
SCALE: 1/2" = 1'-0"

3 ROOF JOINT TO NEW TANK
SCALE: 1" = 1'-0"



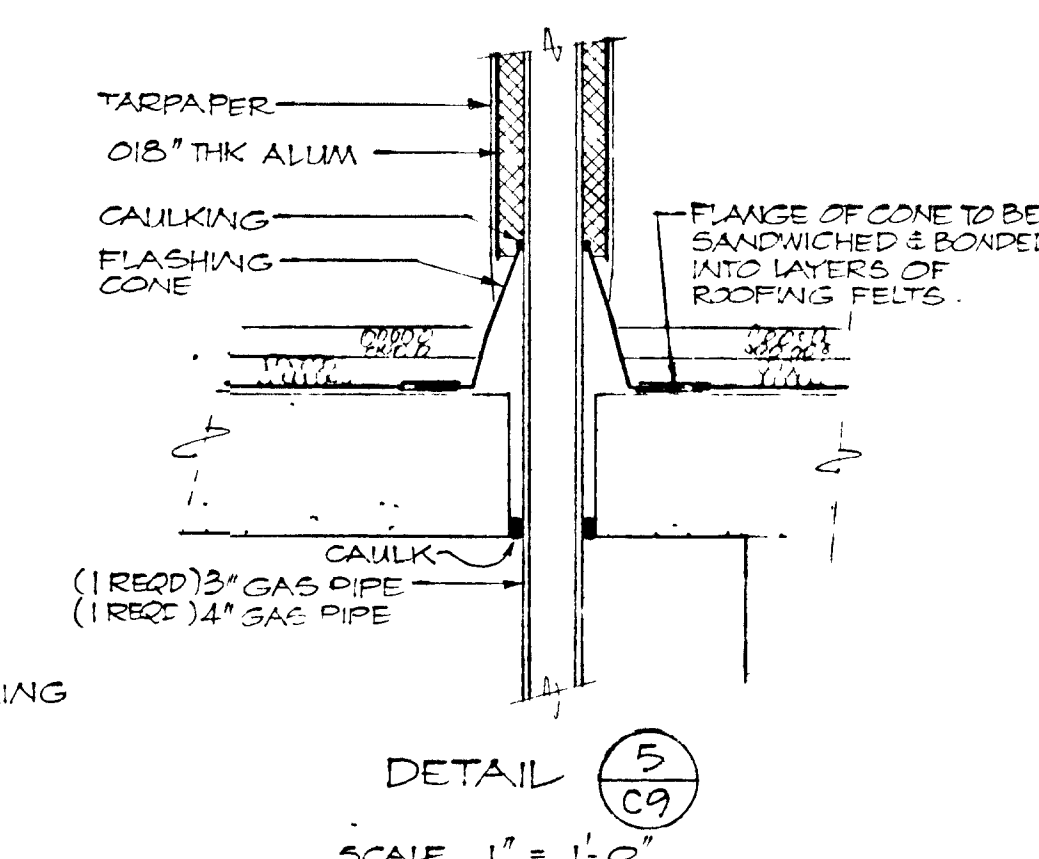
5 PLAN. FOUNDATION JOINT.

6 SECTION A-A.

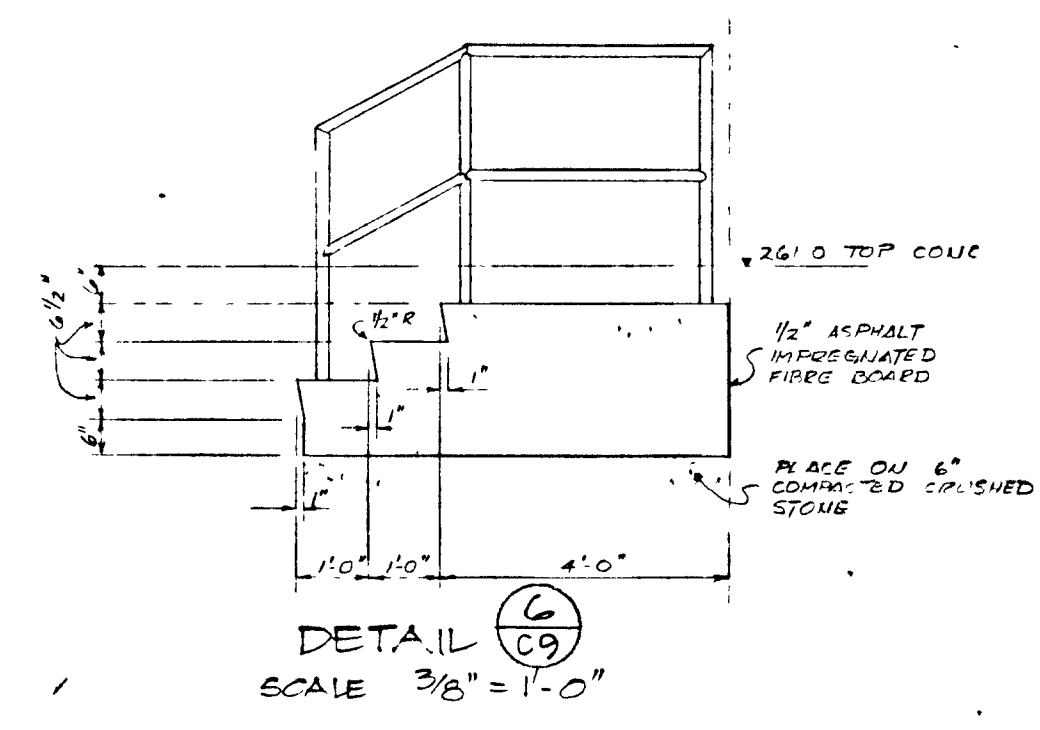


7 PLAN. WALL JOINT.
SCALE: 1/2" = 1'-0"

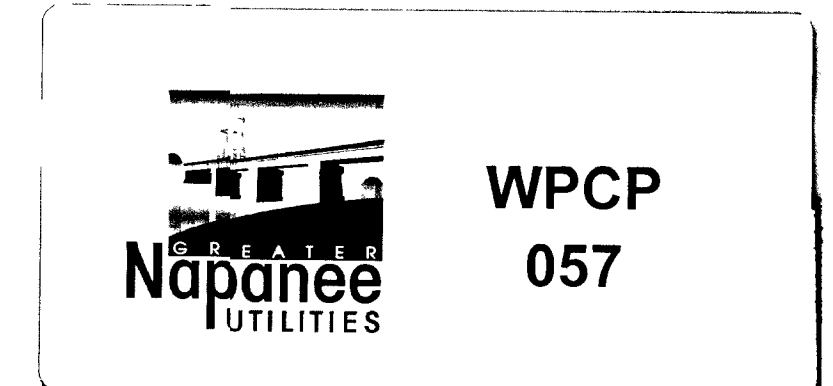
8 SECTION B-B
(FASCIA, ROOFING & FLASHING OMITTED)



5
SCALE: 1" = 1'-0"

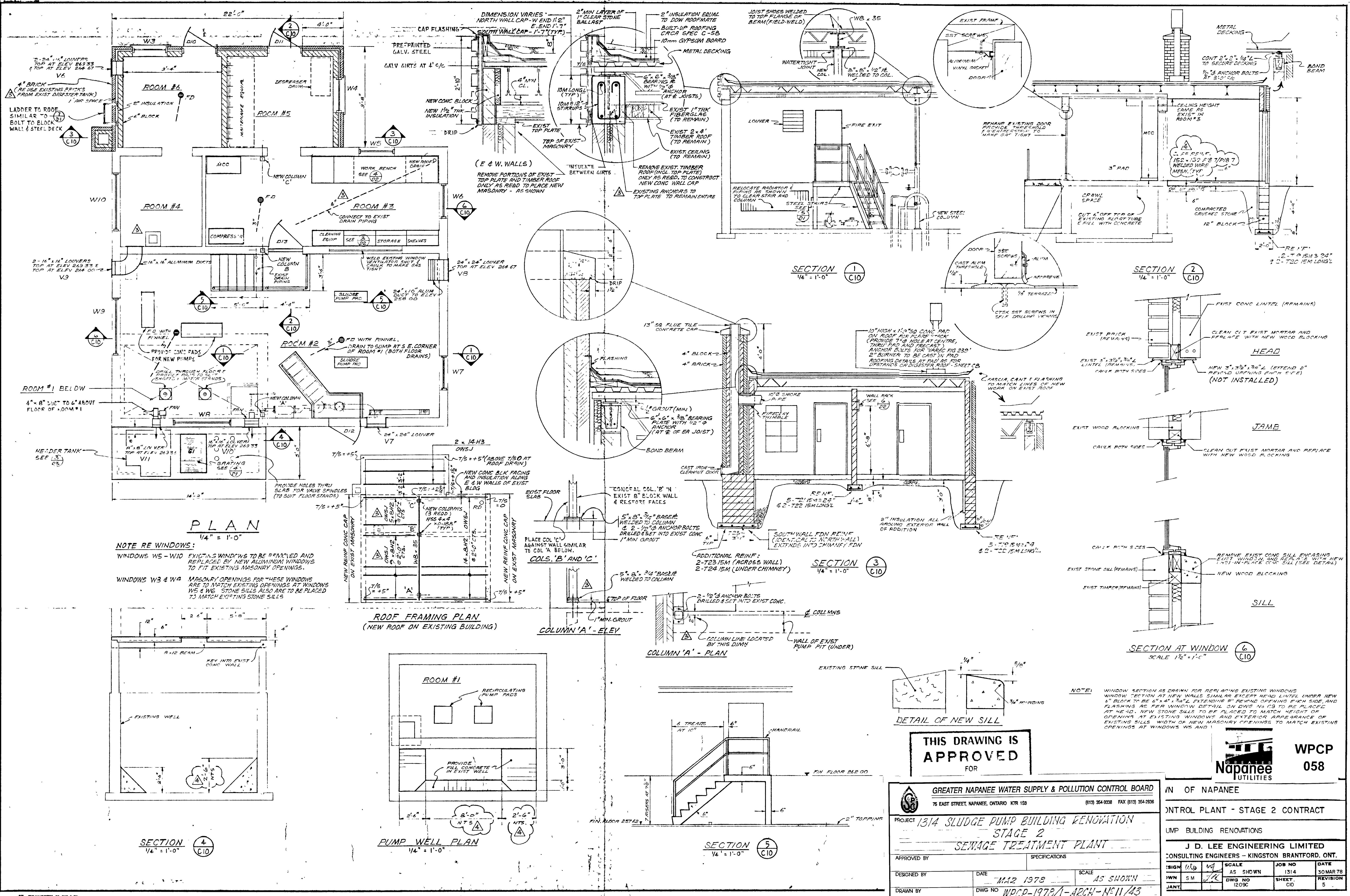


6
SCALE: 3/8" = 1'-0"



GREATER NAPANEE WATER SUPPLY & POLLUTION CONTROL BOARD 75 EAST STREET, NAPANEE, ONTARIO N7R 1S3 (613) 354-9238 FAX (613) 354-2836			
PROJECT 1314 DIGESTER BUILDING - CONCRETE & ARCHITECTURAL - ELEVATIONS & DETAILS - STAGE 2 SEWAGE TREATMENT PLANT			
APPROVED BY	SPECIFICATIONS		
DESIGNED BY	DATE	SCALE	
DRAWN BY	DWG NO	AS SHOWN	
		WPCP-1978/1-ARCH-NO 16/43	

TOWN OF NAPANEE			
WATER POLLUTION CONTROL PLANT - STAGE 2 CONTRACT			
TER & BUILDING - CONCRETE & ARCHITECTURAL - ELEVATIONS & DETAILS			
AS-BUILT	M.S.	J. D. LEE ENGINEERING LIMITED	
APPENDUM #1	M.S.	CONSULTING ENGINEERS - KINGSTON BRANTFORD, ONT.	
GENERAL	DESIGN	SCALE	JOB NO
Entrance slab and steps	DWN	AS SHOWN	1314
REVISION	CHK	DWG NO	SHEET
		1209C	C9
			DATE/REVISION
			30 MAR 78
			4



NOTE RE WINDOWS:
 WINDOWS W5 - W10 EXISTING WINDOWS TO BE REPAIRED AND REPLACED BY NEW ALUMINUM WINDOWS TO FIT EXISTING MASONRY OPENINGS.
 WINDOWS W3 & W4 MASONRY OPENINGS FOR THESE WINDOWS ARE TO MATCH EXISTING OPENINGS AT WINDOWS W5 & W6. STONE SILLS ALSO ARE TO BE PLACED TO MATCH EXISTING STONE SILLS.

THIS DRAWING IS APPROVED FOR

GREATER NAPANEE WATER SUPPLY & POLLUTION CONTROL BOARD
 75 EAST STREET, NAPANEE, ONTARIO N7R 1S8 (813) 354-9238 FAX (813) 354-2838

PROJECT: 1314 SLUDGE PUMP BUILDING RENOVATION - STAGE 2
 SEWAGE TREATMENT PLANT

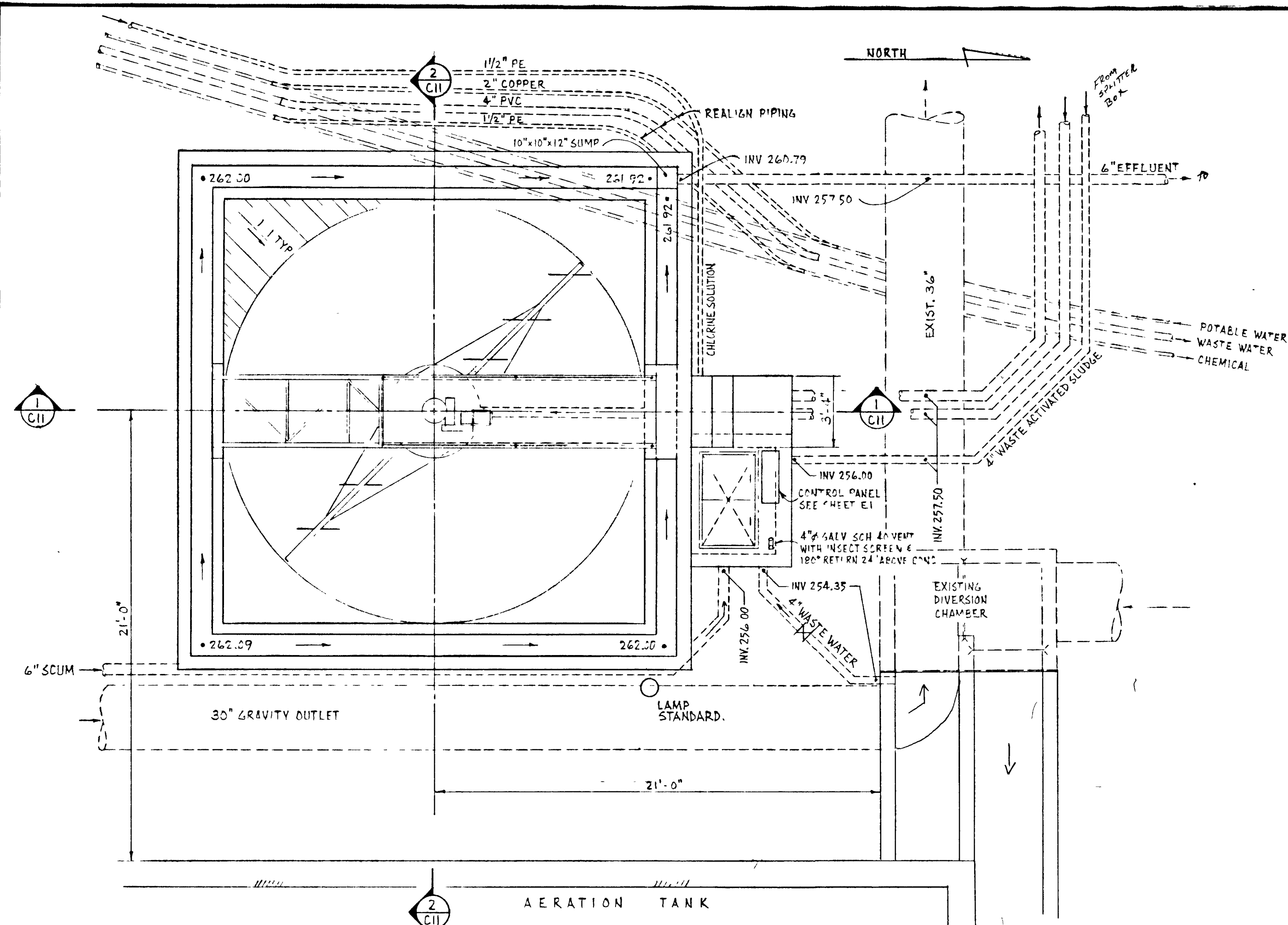
APPROVED BY: _____ SPECIFICATIONS: _____
 DESIGNED BY: _____ DATE: MAR 1978 AS SHOWN
 DRAWN BY: _____ DWG NO: WPCP-1978/A-4204-N/11/43

Napanee UTILITIES WPCP 058

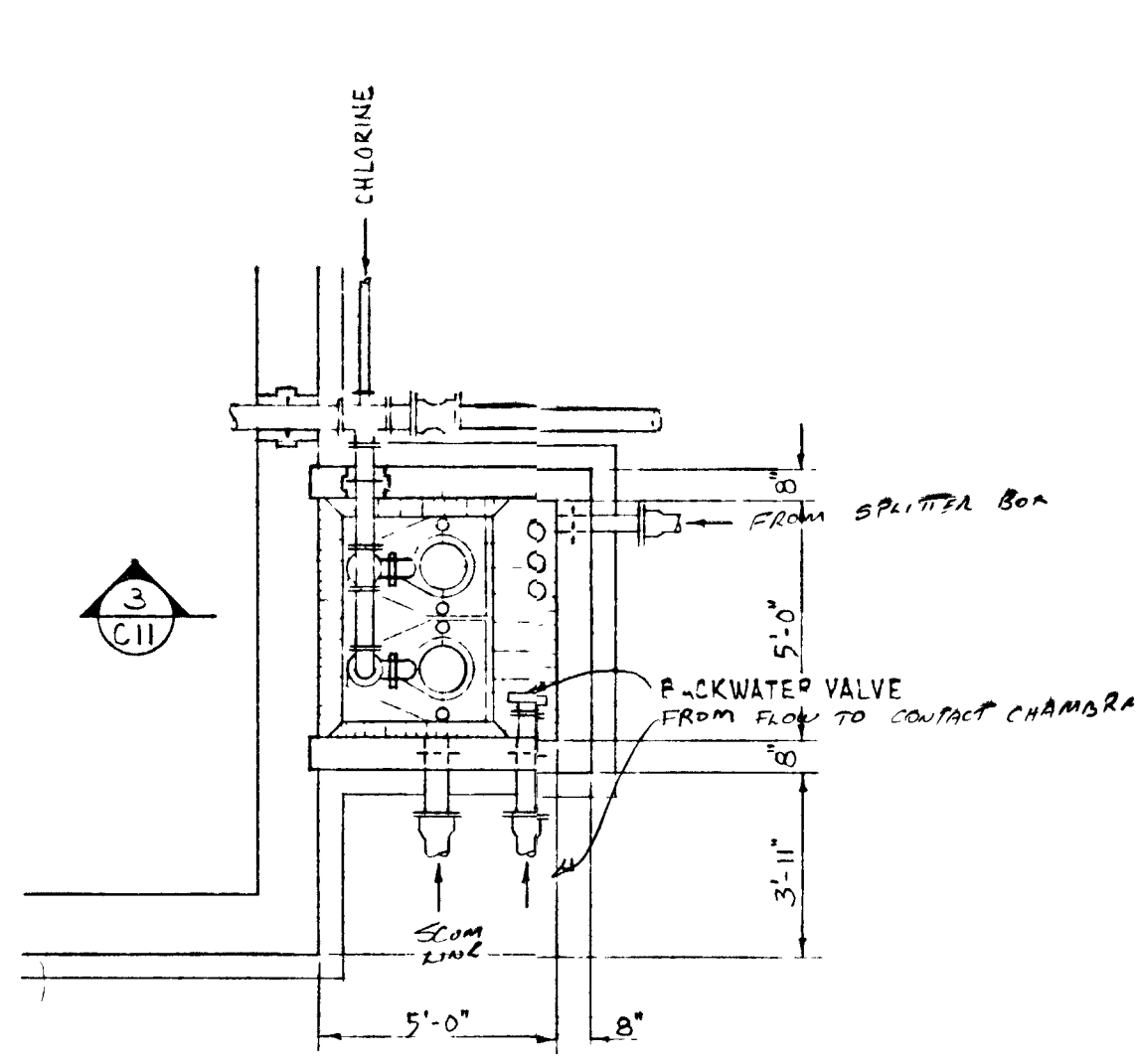
IN OF NAPANEE
 CONTROL PLANT - STAGE 2 CONTRACT
 UMP BUILDING RENOVATIONS

J. D. LEE ENGINEERING LIMITED
 CONSULTING ENGINEERS - KINGSTON BRANTFORD, ONT.

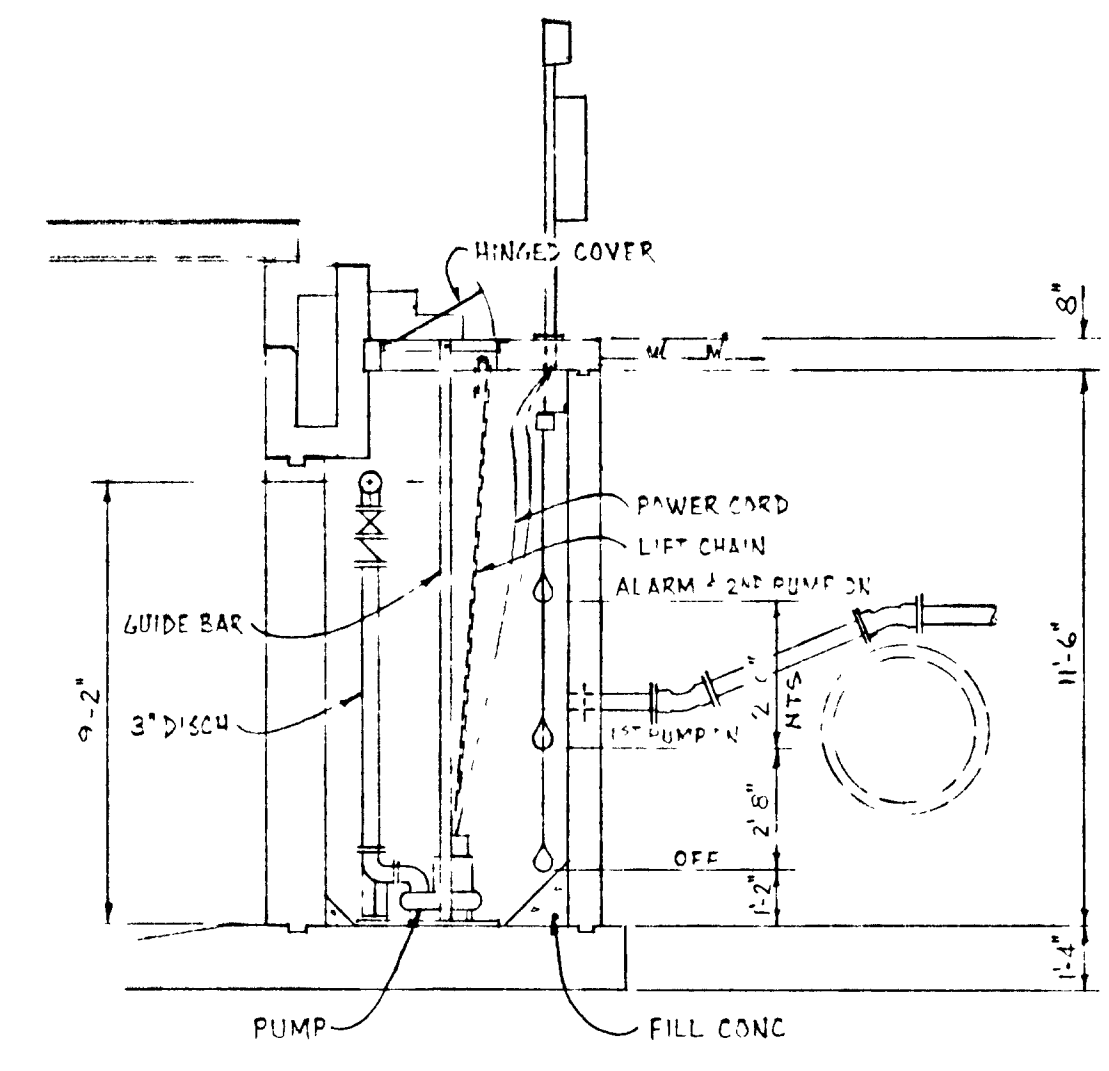
DESIGN	WJL	SCALE	AS SHOWN	JOB NO	1314	DATE	30 MAR 78
DRAWN	SM	DWG NO	1209C	SHEET	C10	REVISION	5



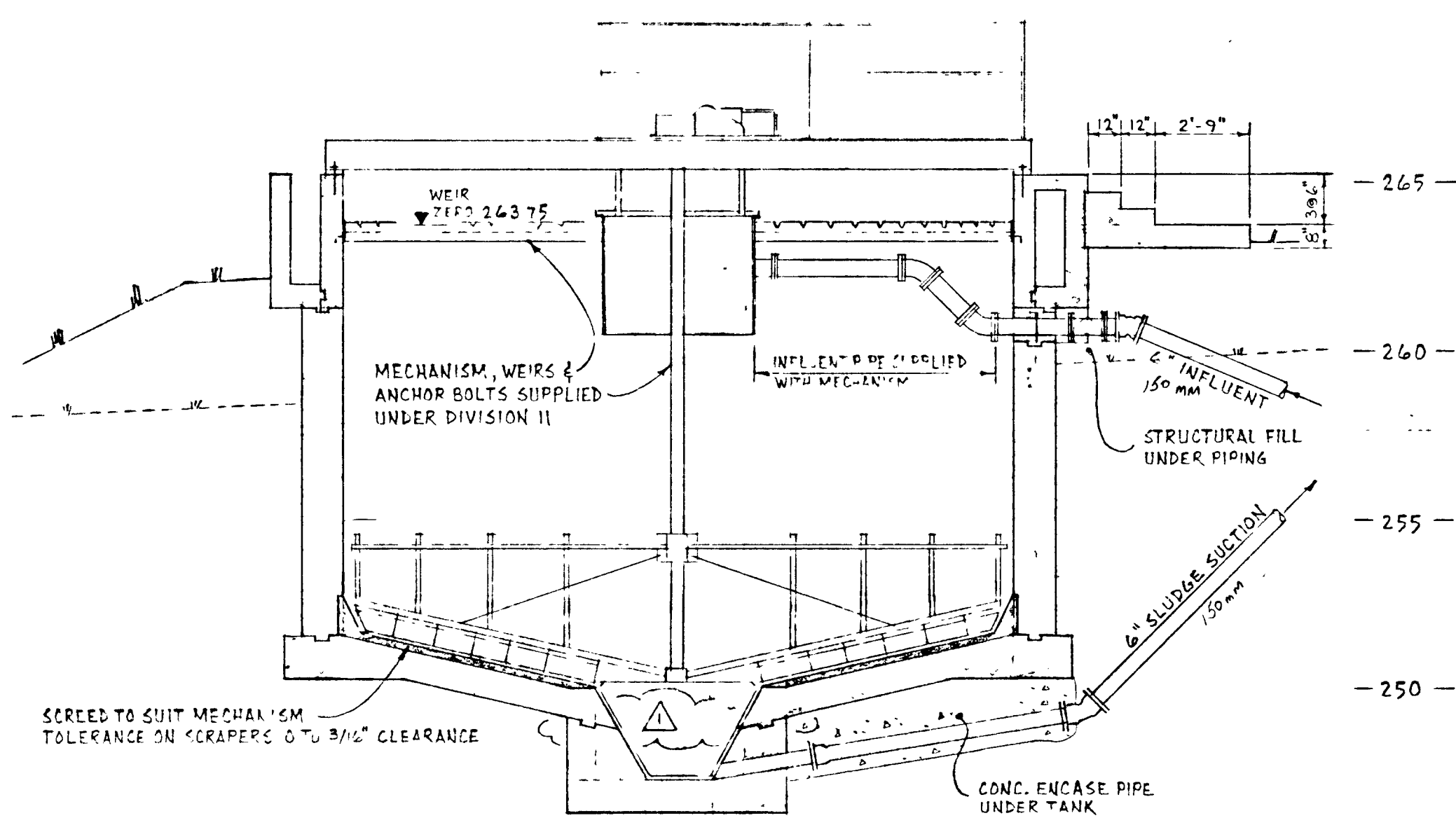
PLAN
1/4" = 1'-0"



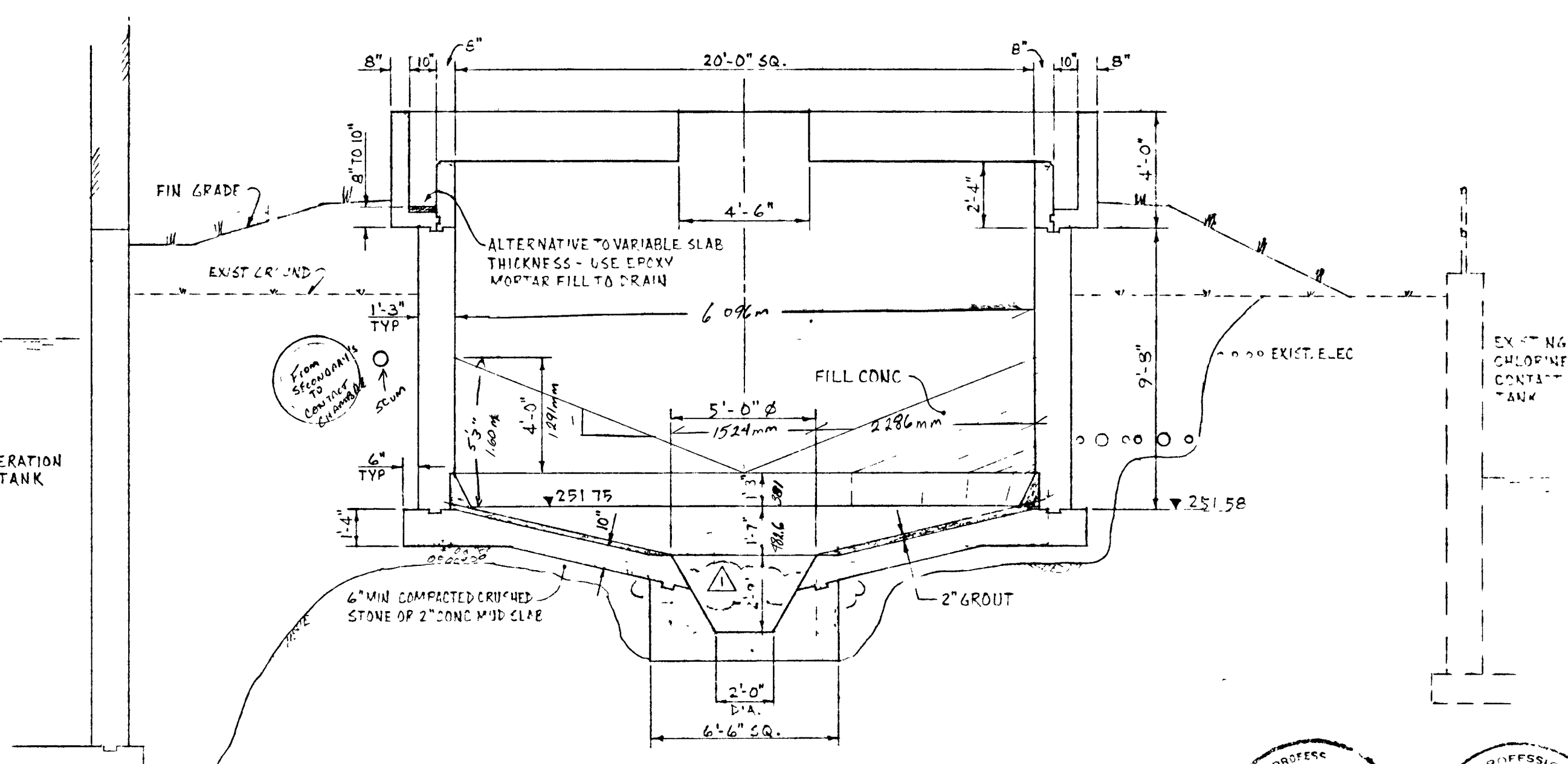
PART PLAN AT ELEV. 261
1/4" = 1'-0"



SECTION 3
1/4" = 1'-0"



SECTION 1
1/4" = 1'-0"



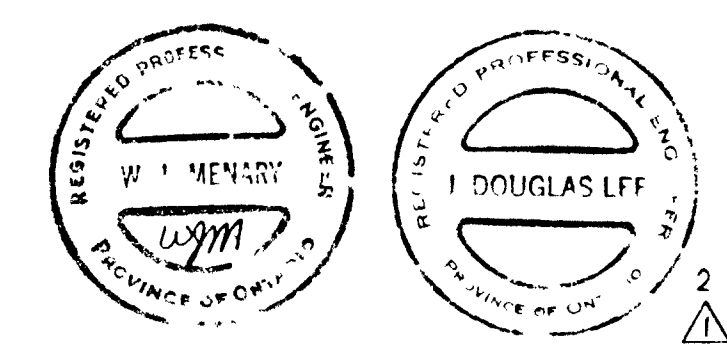
SECTION 2
1/4" = 1'-0"

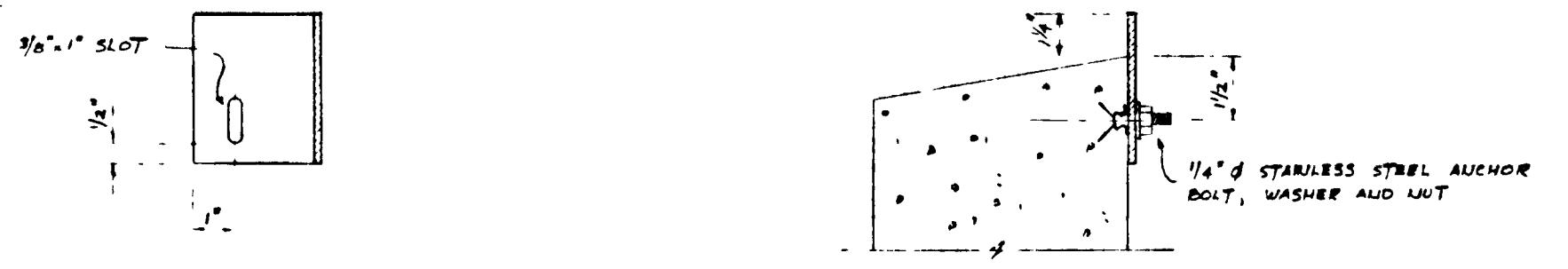
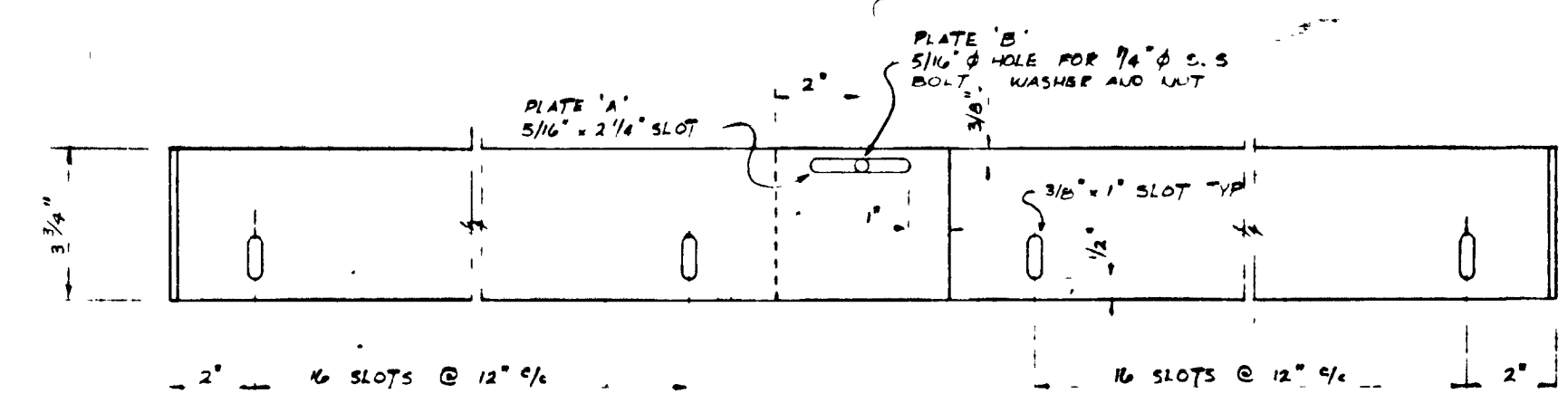
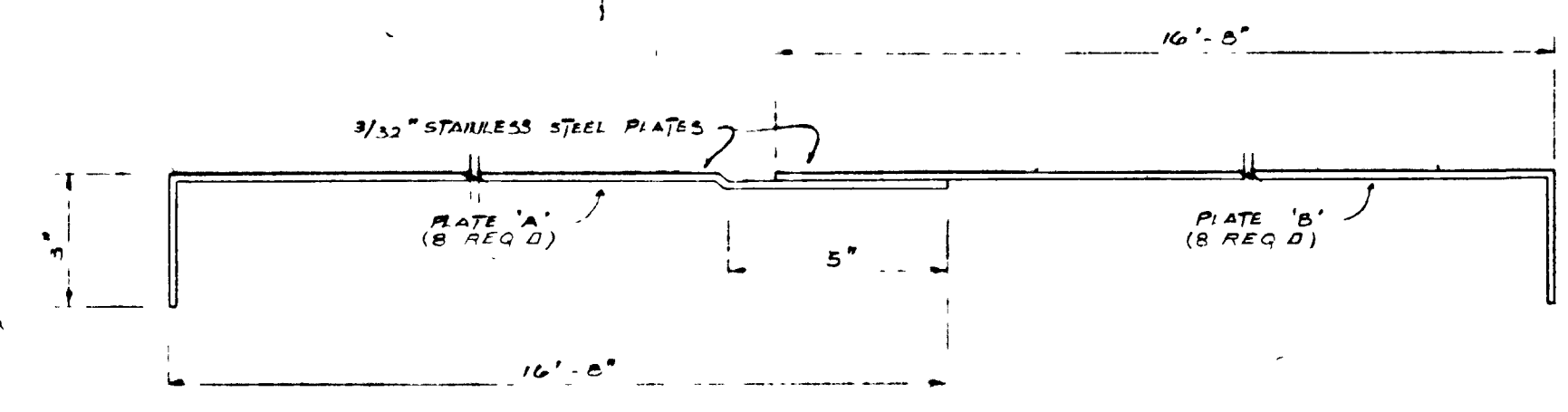


GREATER NAPANEE WATER SUPPLY & POLLUTION CONTROL BOARD 75 EAST STREET, NAPANEE, ONTARIO N7R 1S8 (613) 354-9338 FAX (613) 354-2838			
PROJECT 1314 SLUDGE THICKENER STAGE 2 SEWAGE TREATMENT PLANT			
APPROVED BY	SPECIFICATIONS		
DESIGNED BY	DATE	SCALE	
DRAWN BY	MAR 1978	AS SHOWN	
DWG NO WPCP-1978/1-ARCH-NO 12/43			

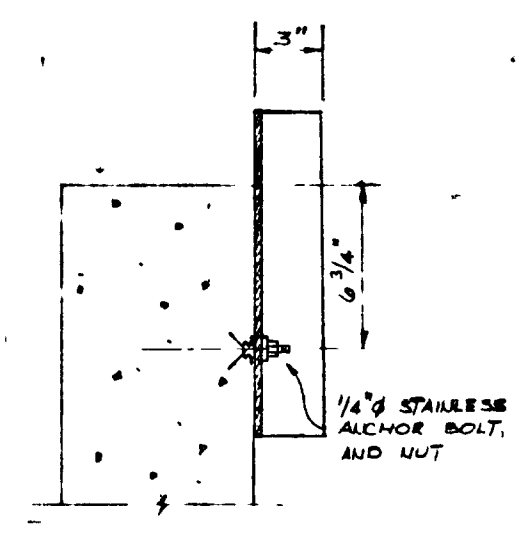
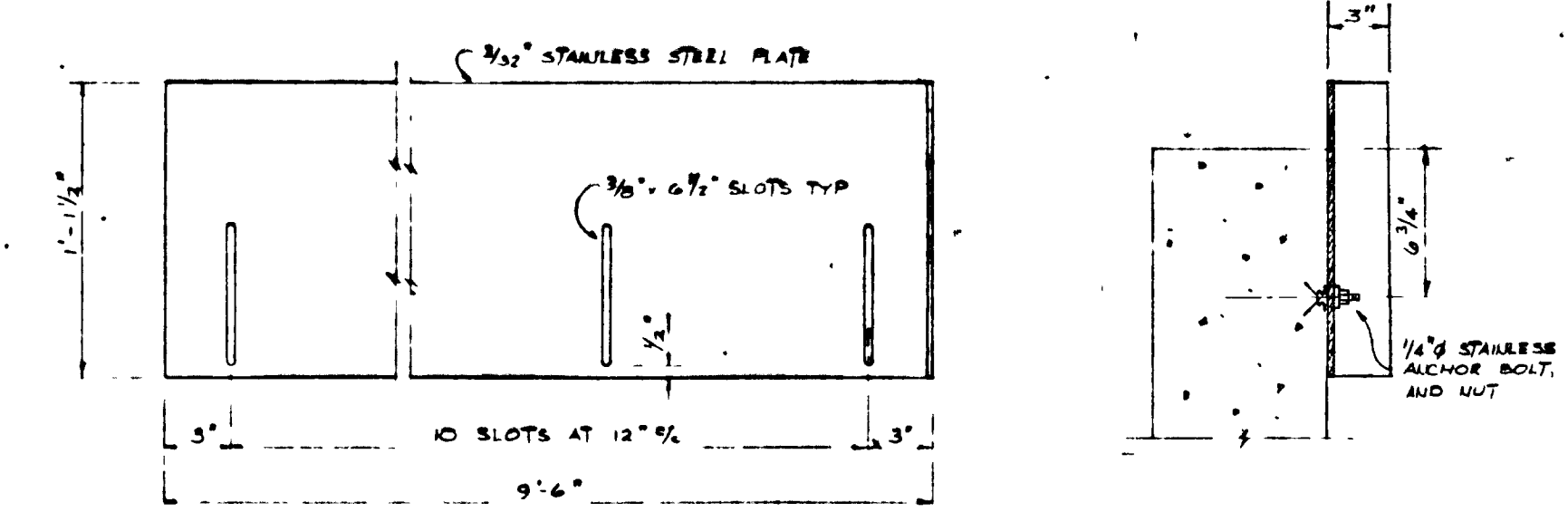
THIS DRAWING IS APPROVED FOR CONSTRUCTION PURPOSES
 By: [Signature] Date: 03.21.78 Job No. 1314
S. B. LEE ENGINEERING LIMITED

TOWN OF NAPANEE					
WATER POLLUTION CONTROL PLANT - STAGE 2 CONTRACT					
SLUDGE THICKENER					
J. D. LEE ENGINEERING LIMITED CONSULTING ENGINEERS - KINGSTON BRANTFORD ONT.					
MAR/83	AS-BUILT	M.S.	DESIGN	J.D.L.	SCALE AS SHOWN
MAR/83	CHANGE ORDER #1	M.S.	DWN	J.L.	DWG NO 1209C
DATE	REVISION	CHK	QUANT	SHEET C11	REVISION 2

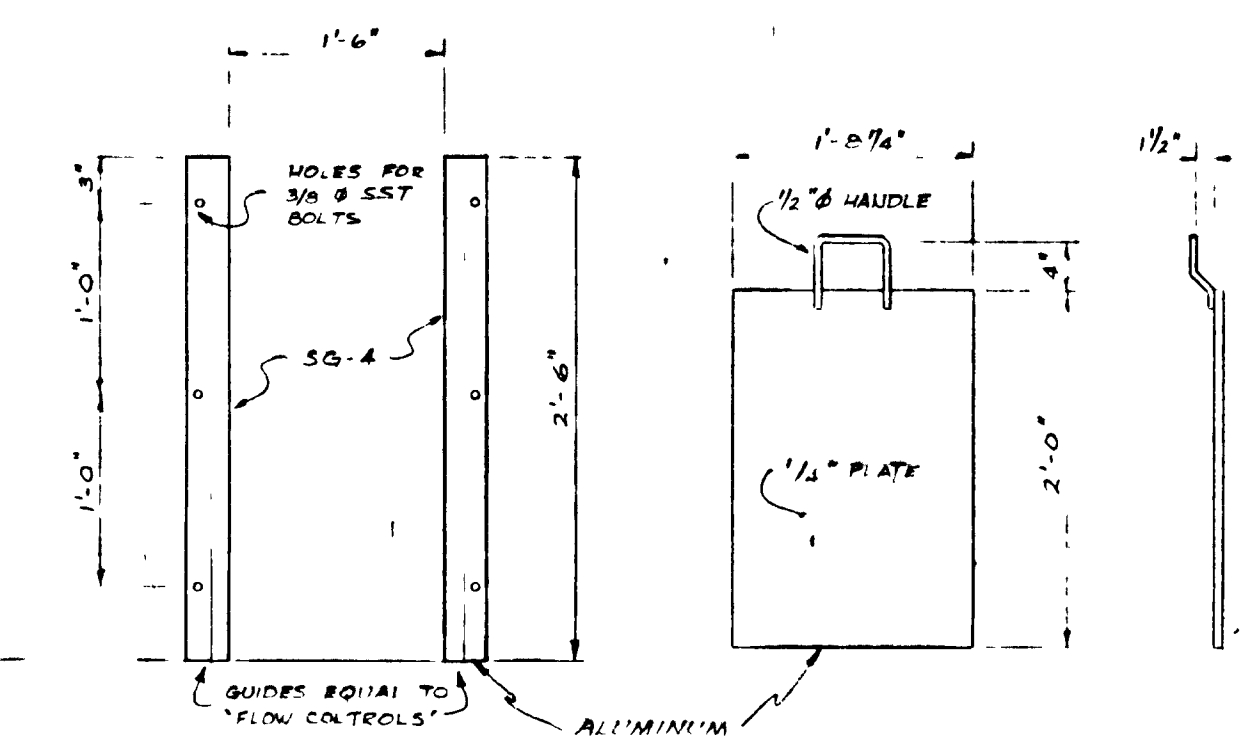




EFFLUENT WEIRS (1) DI

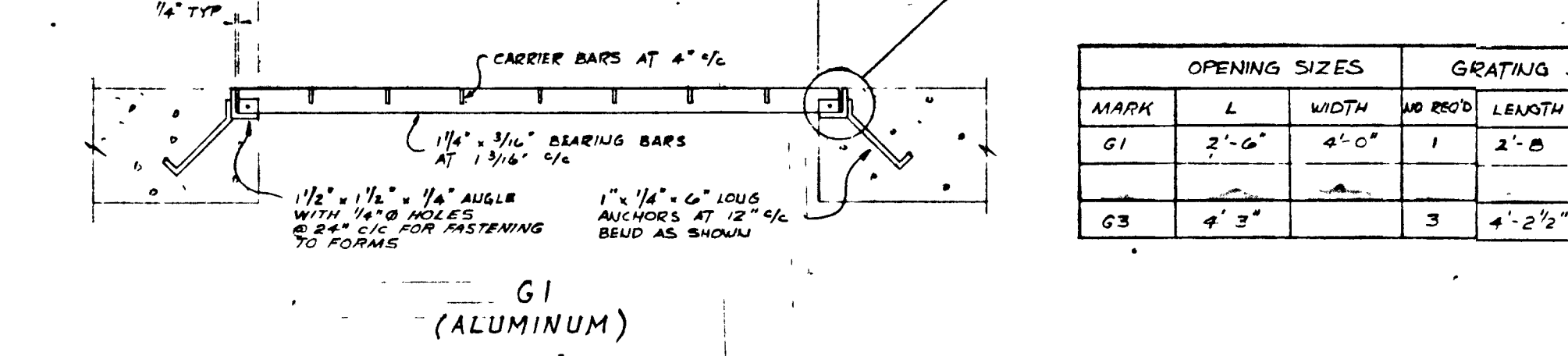
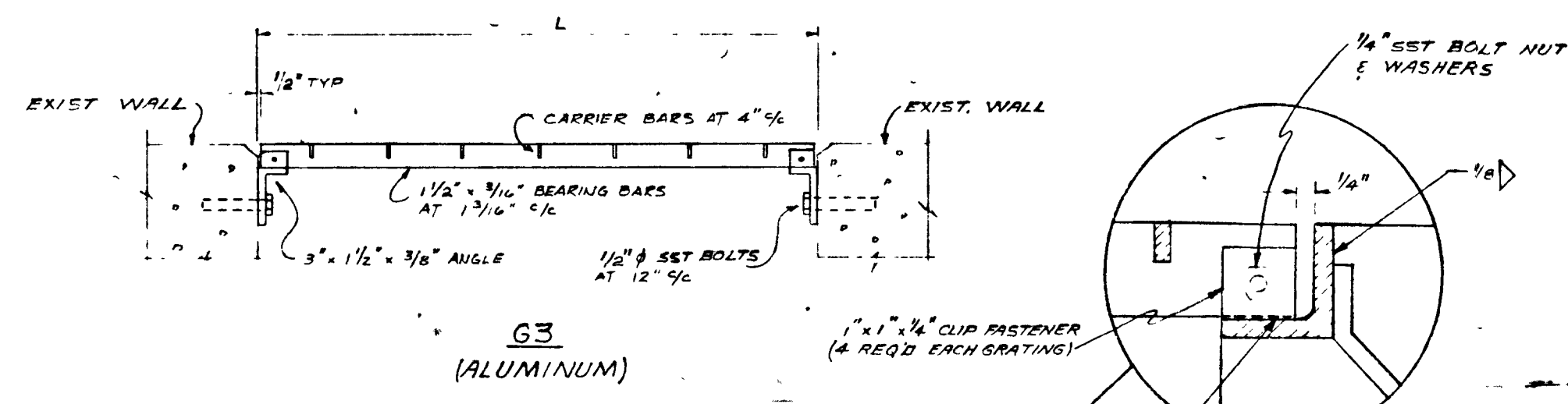


BYPASS WEIR (1 REQ'D) (2) DI



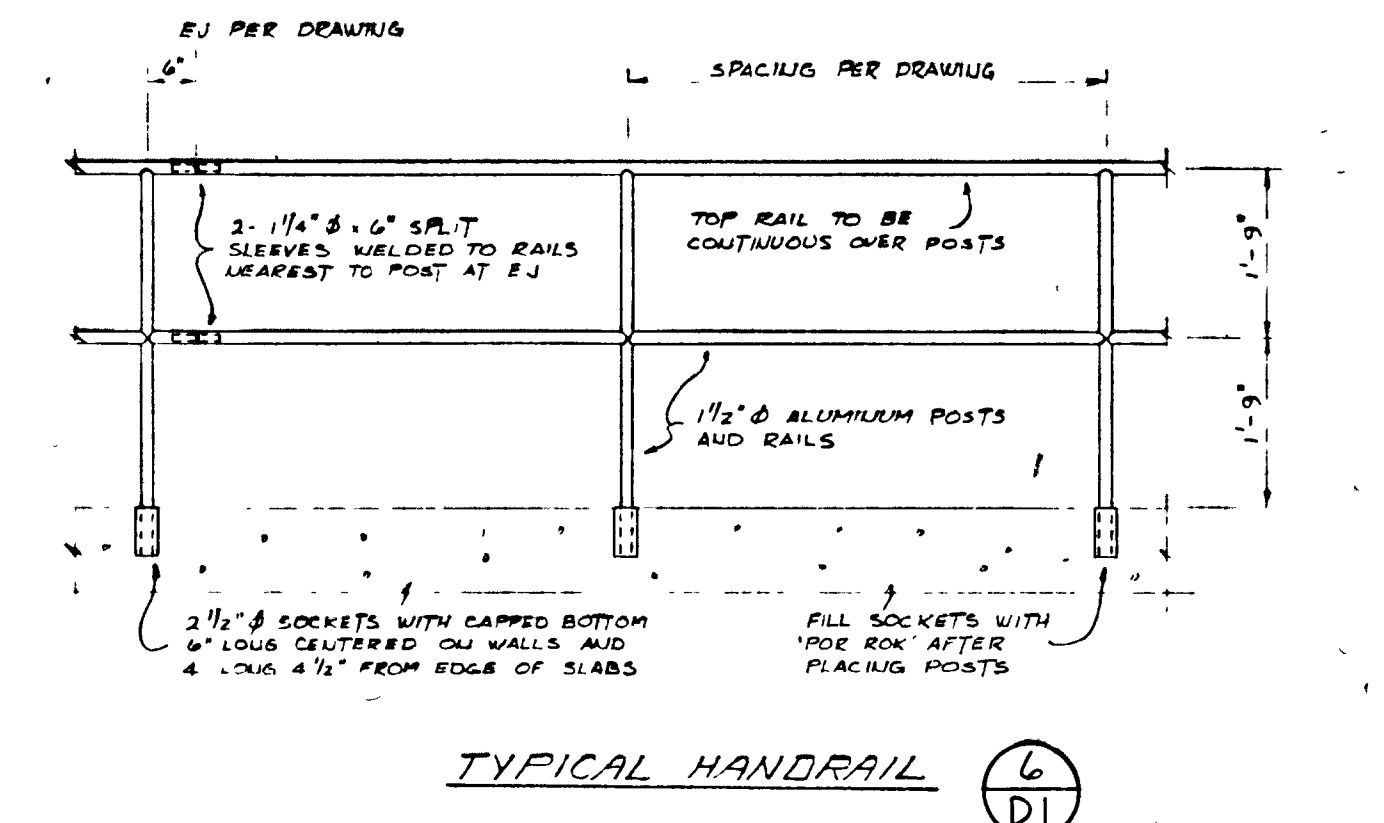
GUIDE (2 REQ'D)

STOP GATE (1 REQ'D) (3) DI

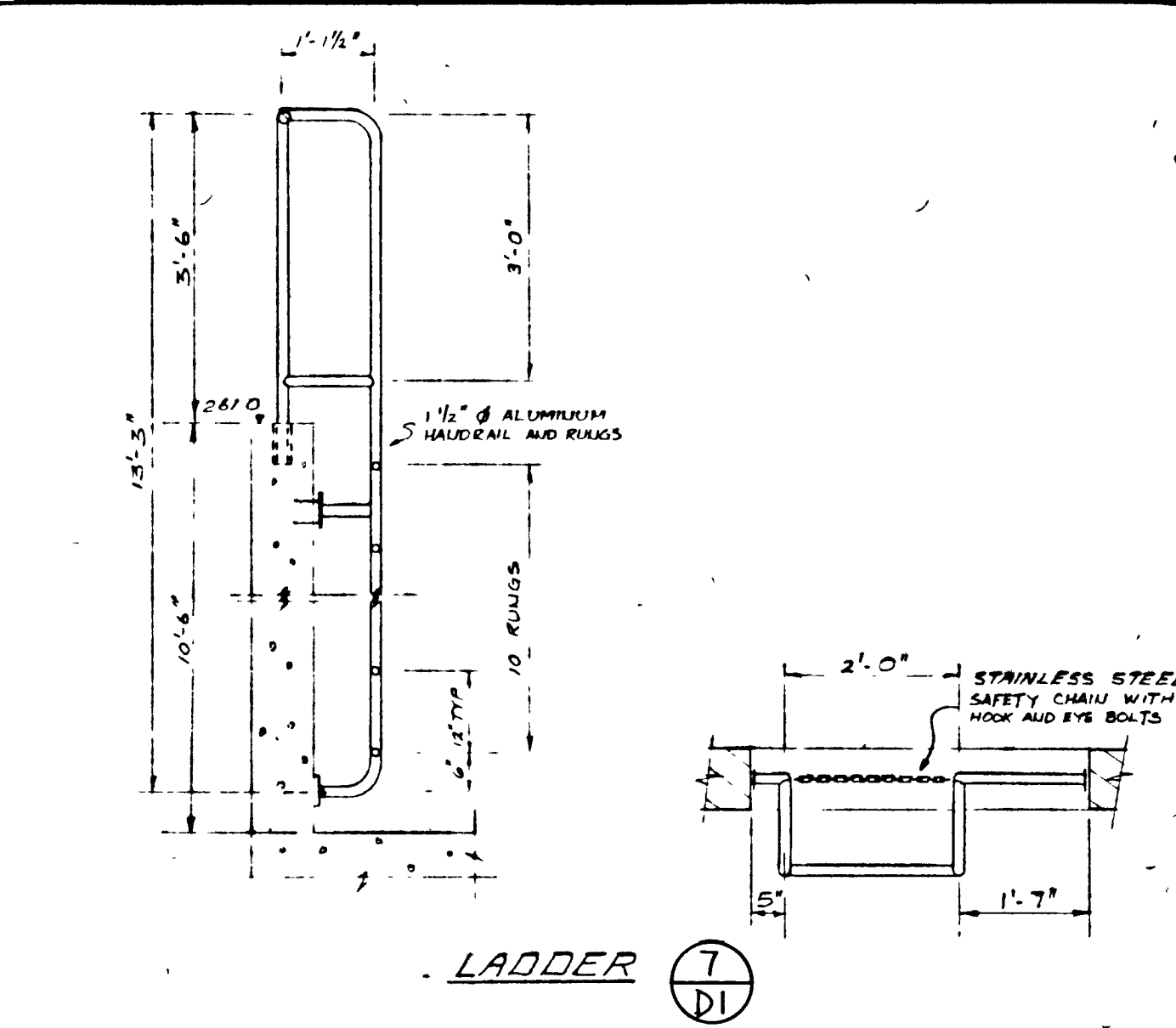


MARK	OPENING SIZES		GRATING SIZES	
	L	WIDTH	# REQ'D	LENGTH
G1	2'-0"	4'-0"	1	2'-8"
G3	4'-3"	-	3	4'-2 1/2"

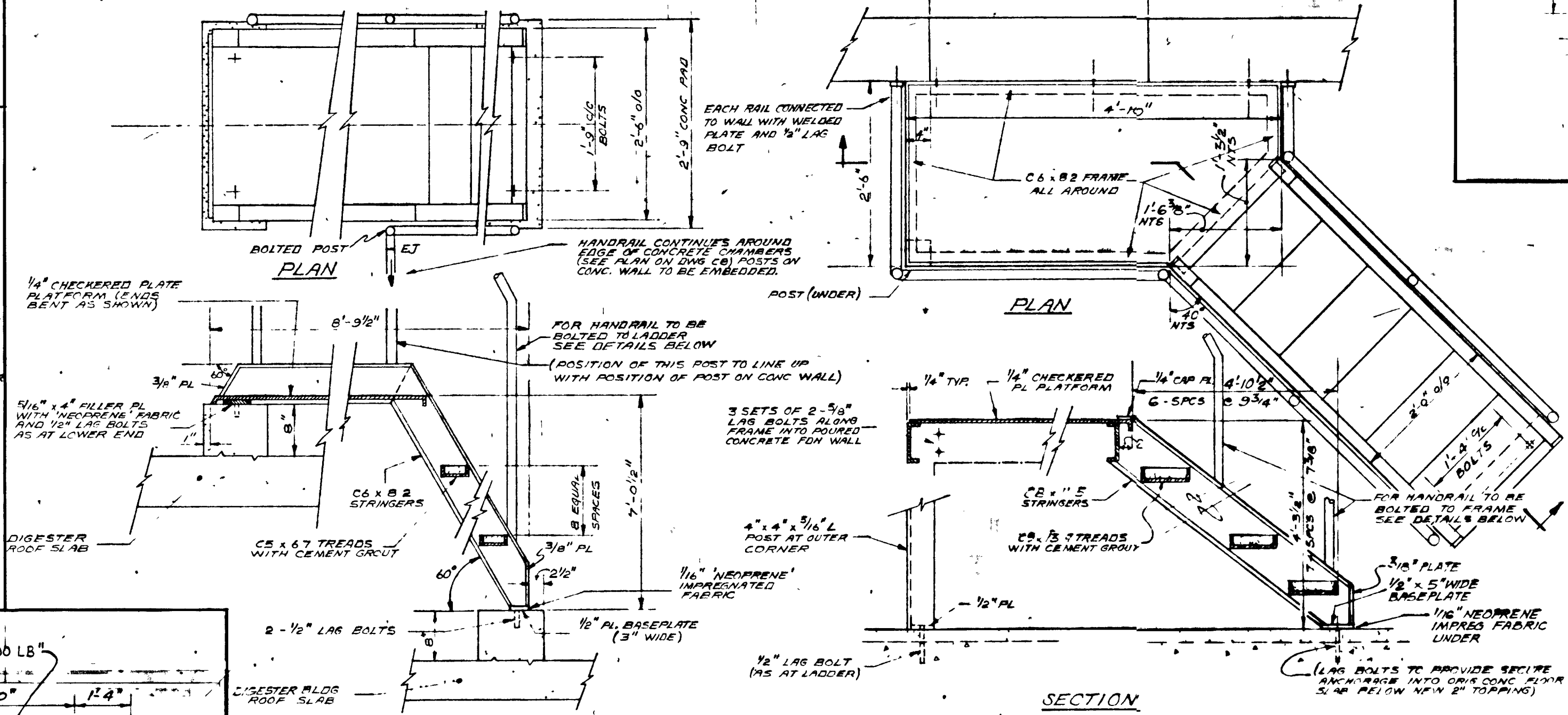
GRATINGS (4) DI



TYPICAL HANDRAIL (6) DI



LADDER (7) DI

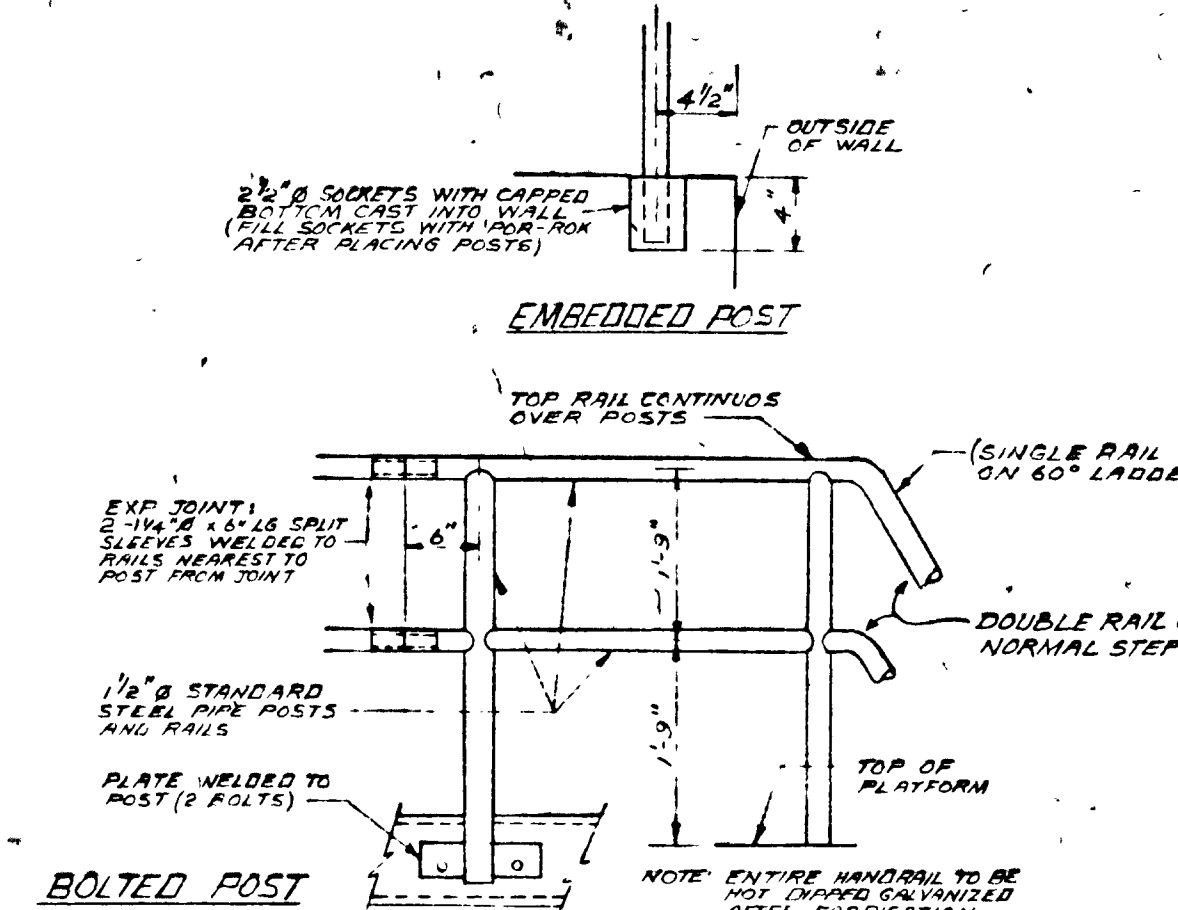


SECTION LADDER AT DIGESTER TANK

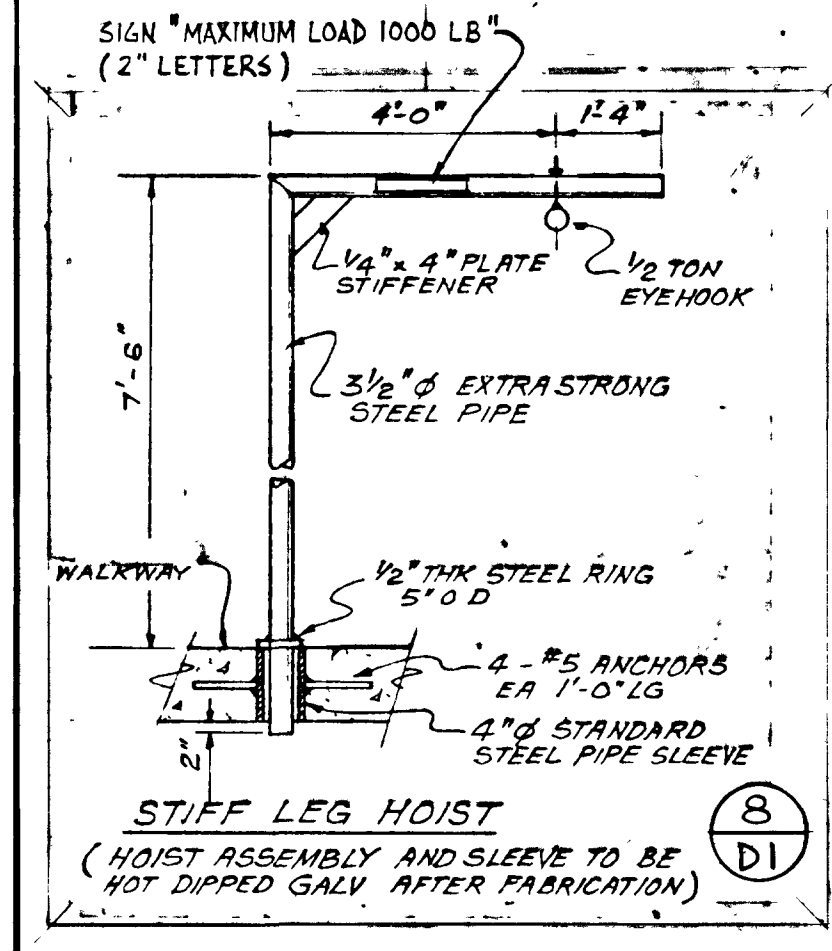
SECTION LADDER & PLATFORM IN SLUDGE PUMP BLDG.

STEEL LADDERS & PLATFORMS (5) DI

NOTE: ENTIRE PLATFORM AND LADDER ASSEMBLIES TO BE HOT-DIPPED GALVANIZED AFTER FABRICATION.



STEEL HANDRAIL DETAILS



STIFF LEG HOIST (8) DI
HOIST ASSEMBLY AND SLEEVE TO BE HOT-DIPPED GALV. AFTER FABRICATION

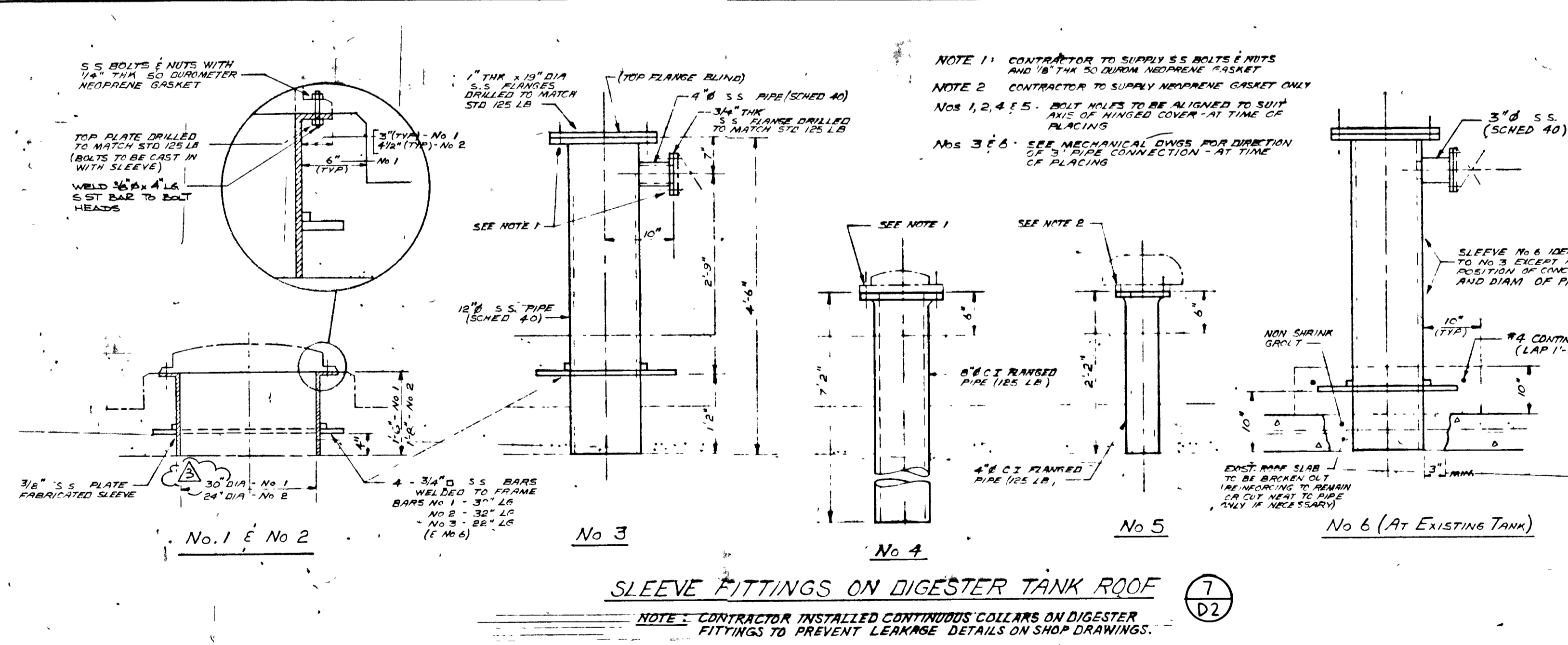
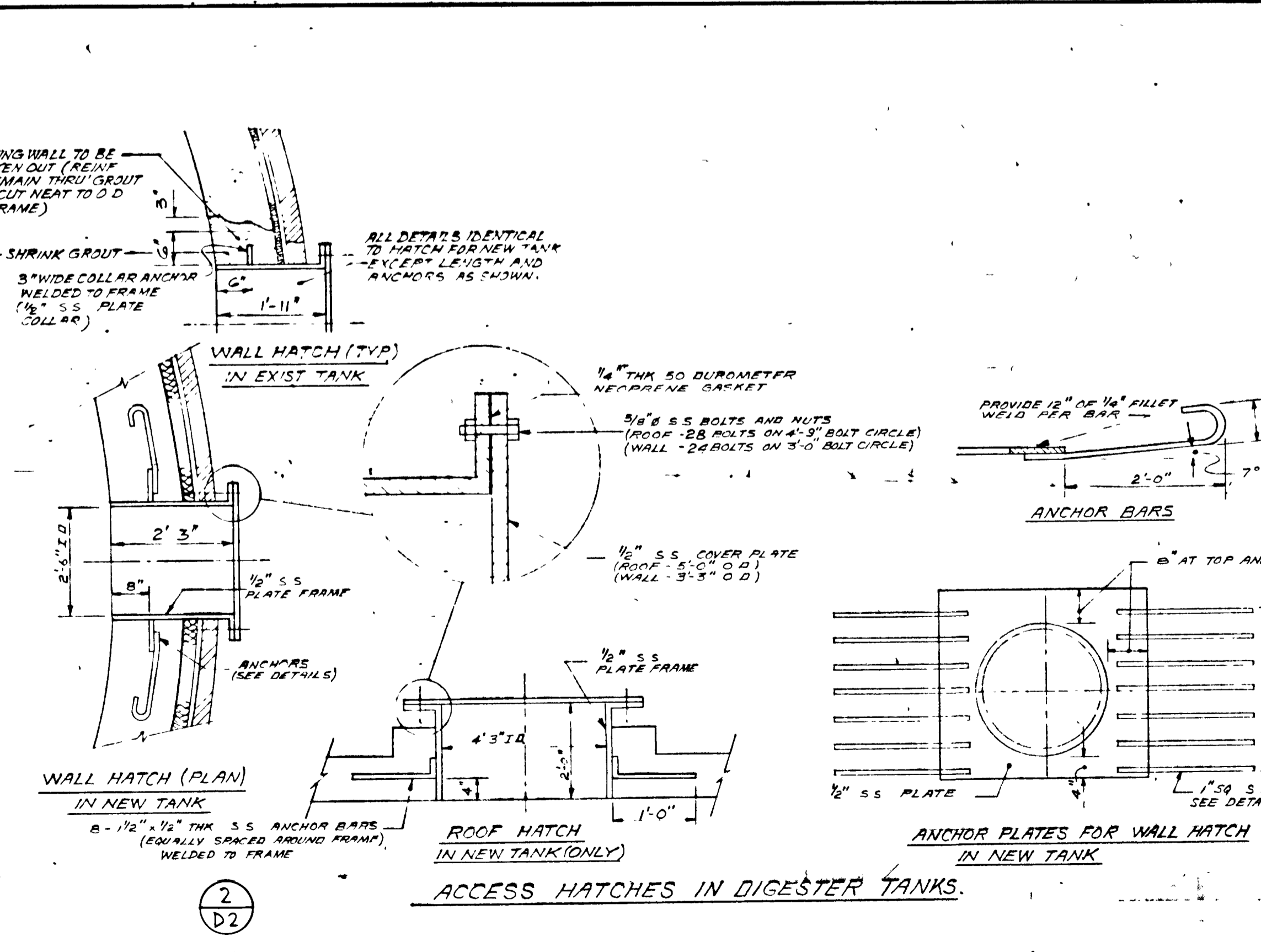
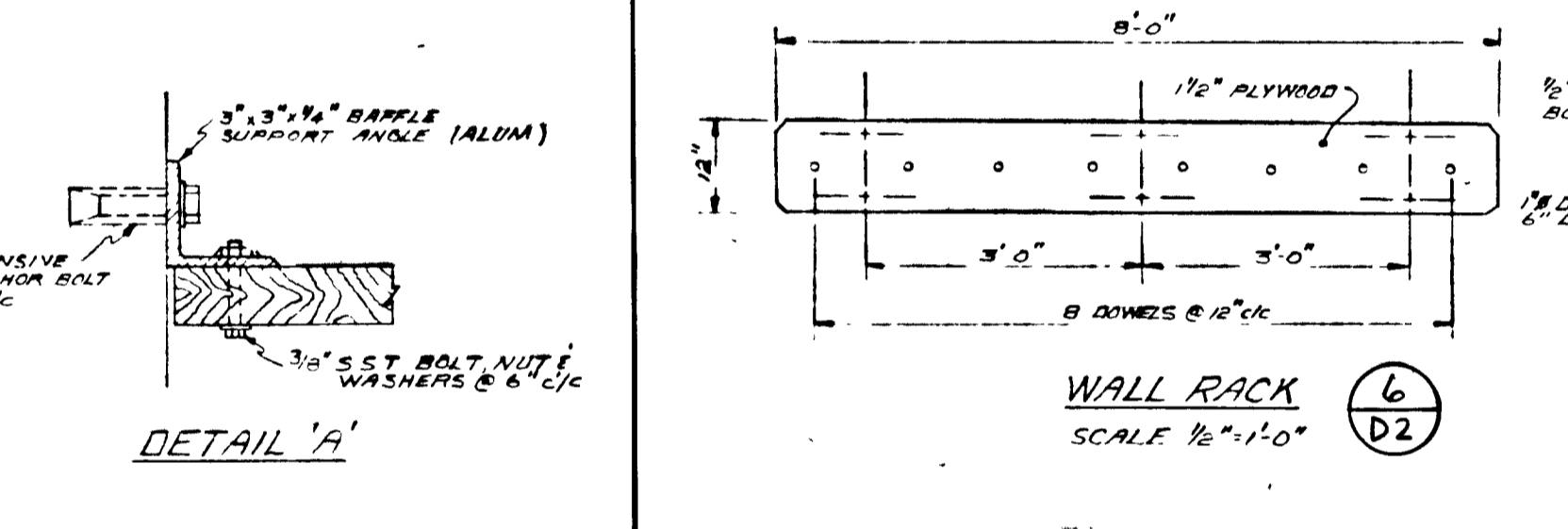
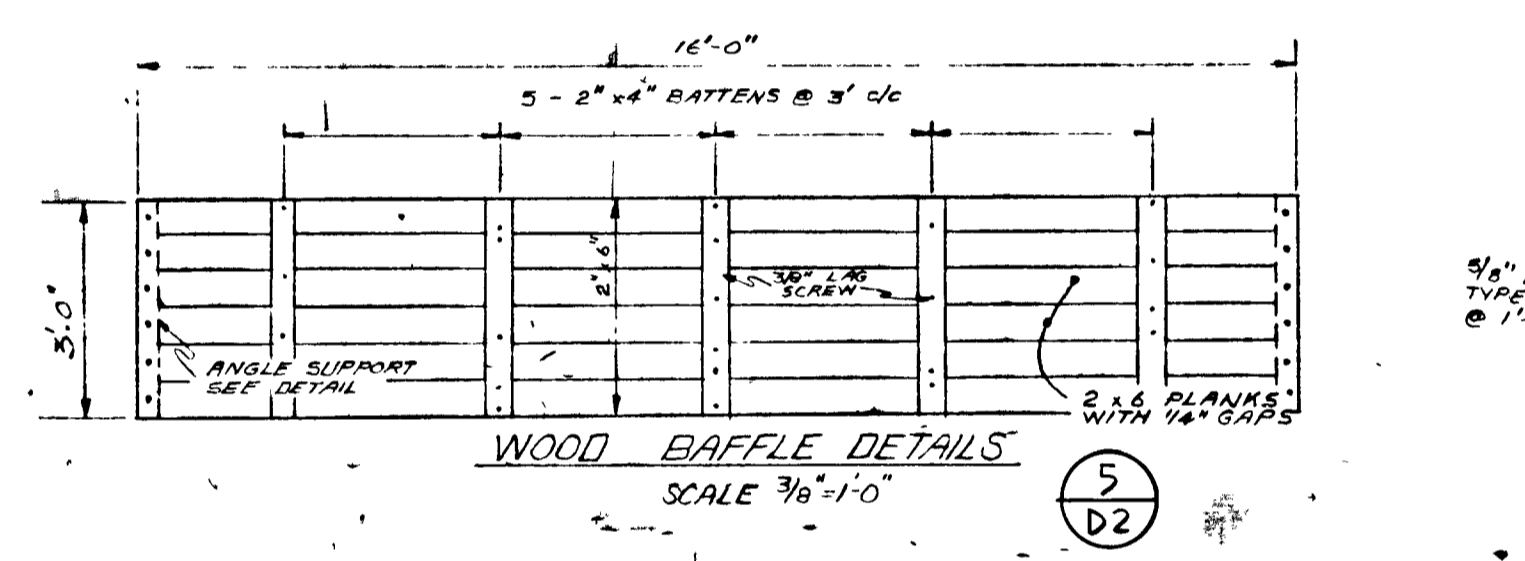
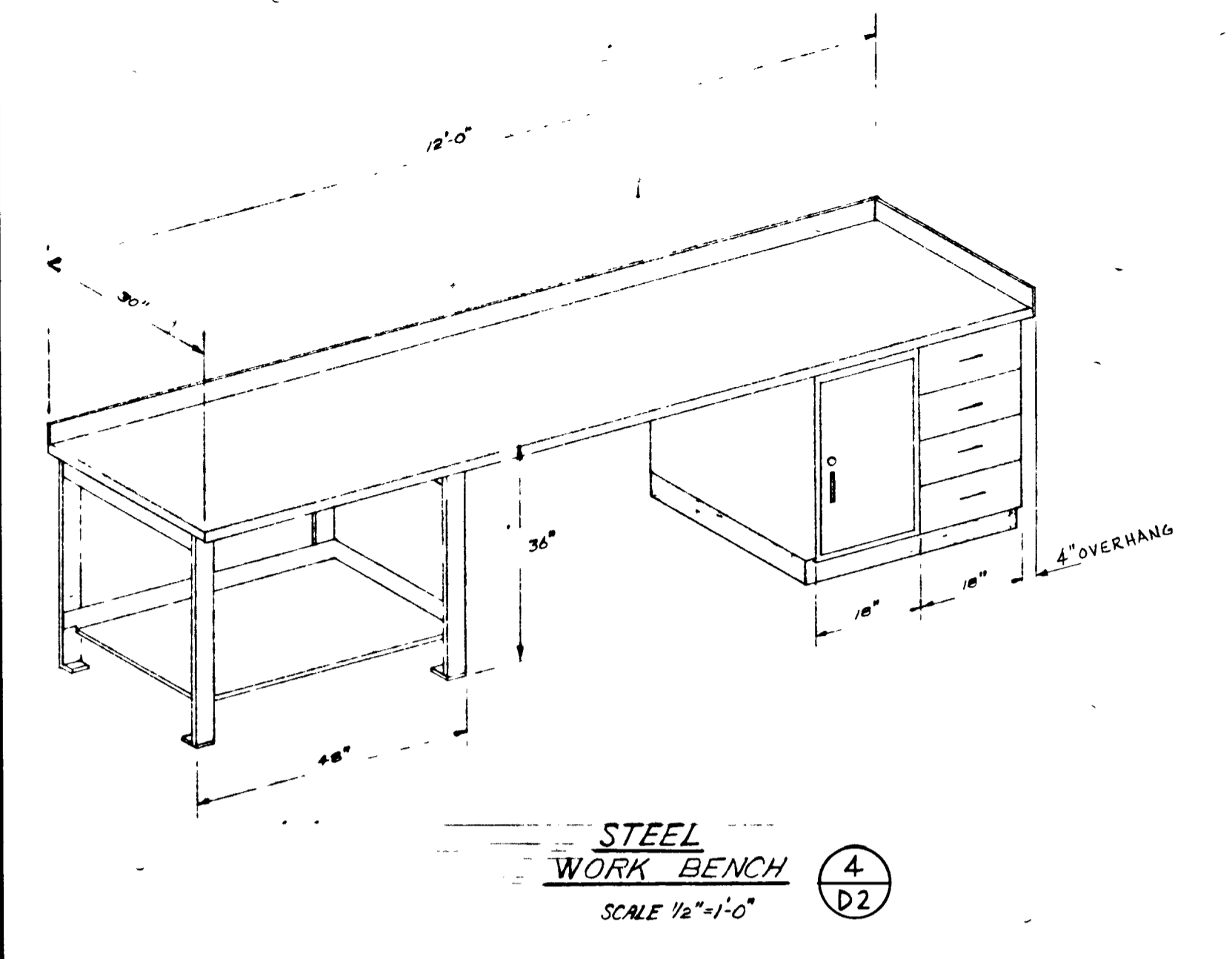
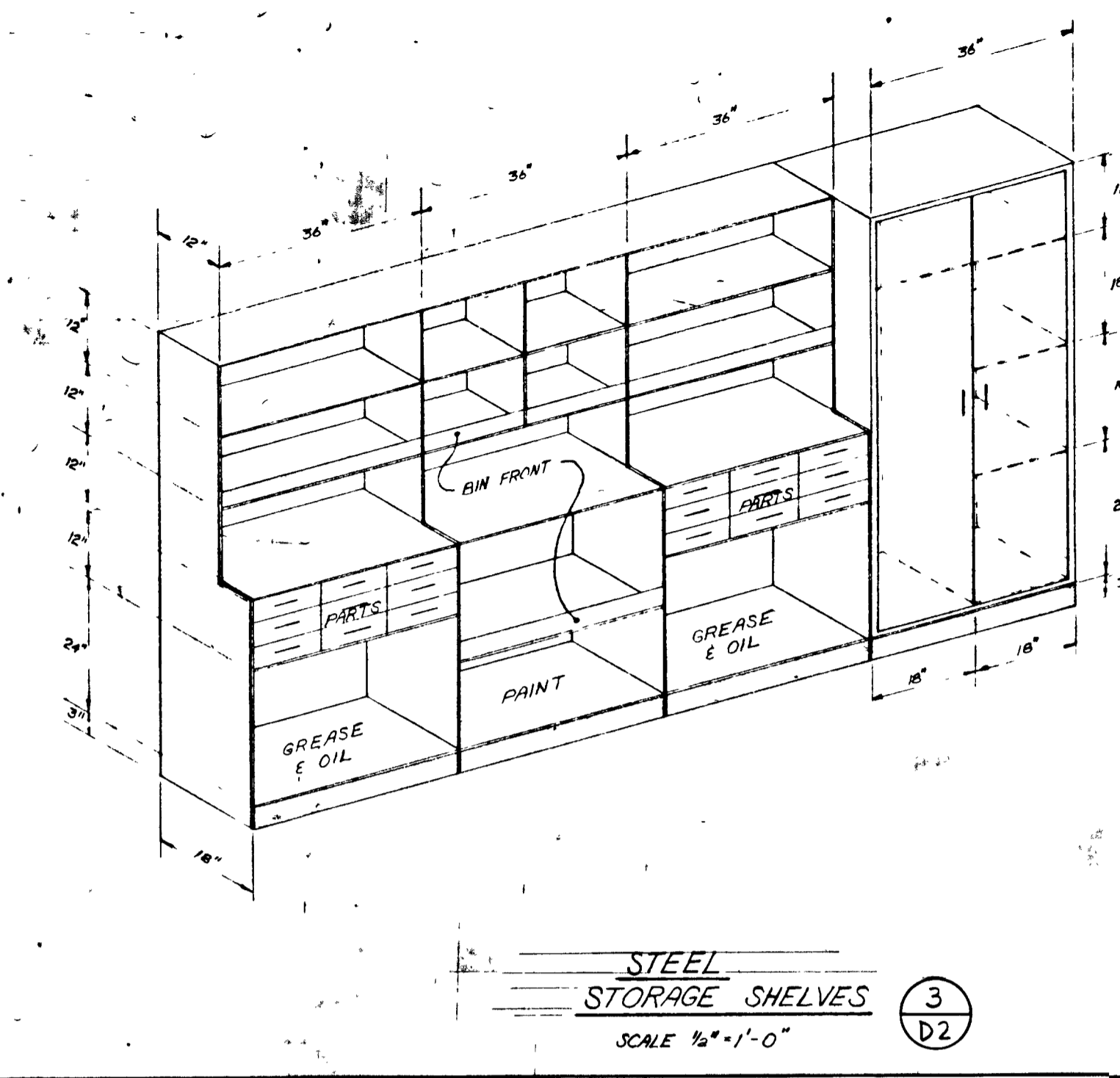
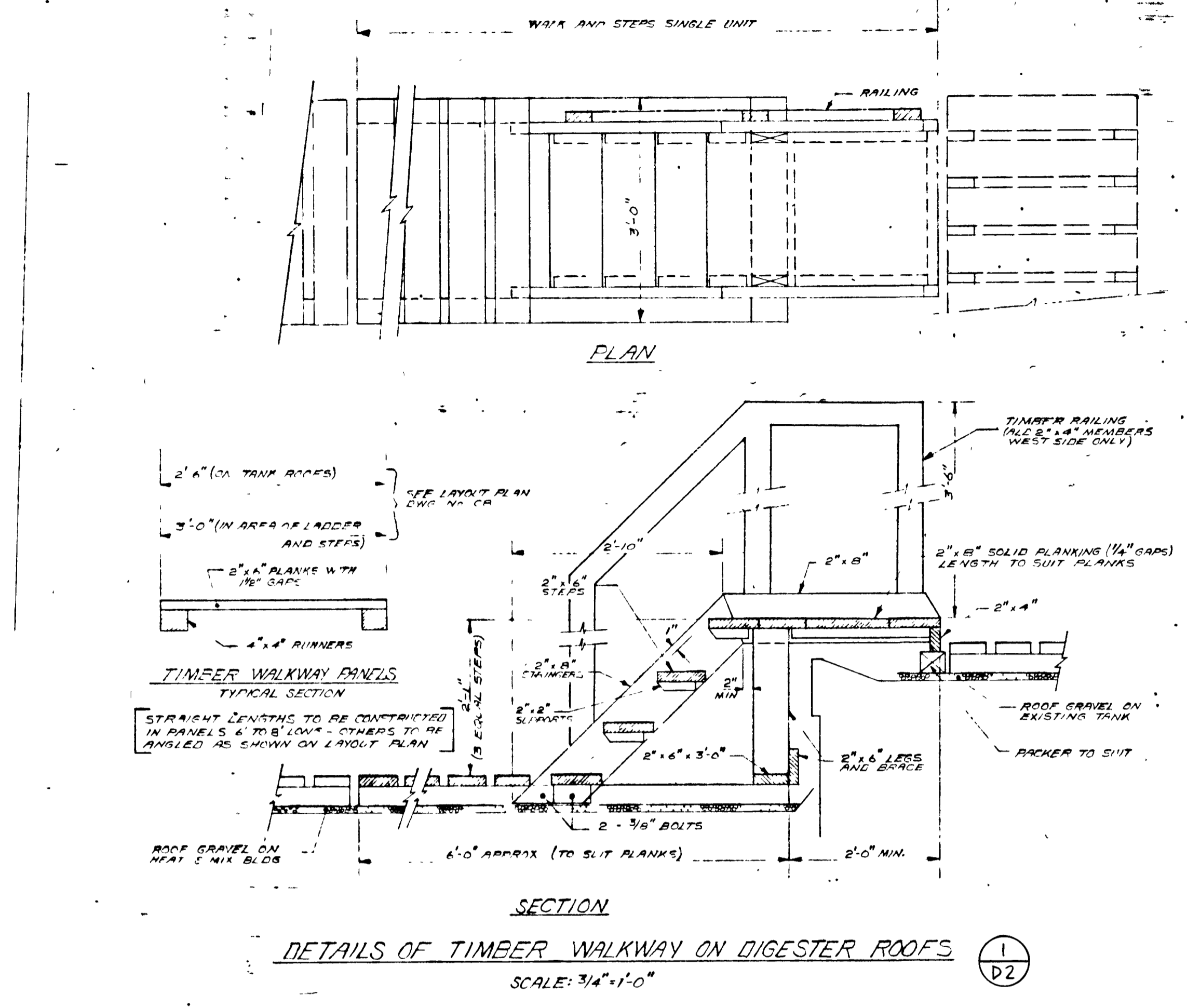
GREATER NAPANEE WATER SUPPLY & POLLUTION CONTROL BOARD
75 EAST STREET, NAPANEE, ONTARIO N7R 1S3 (613) 254-9238 FAX (613) 354-2838

PROJECT 1314 **MISCELLANEOUS DETAILS**
STAGE 2
SEWER TREATMENT PLANT

APPROVED BY _____ SPECIFICATIONS _____
DESIGNED BY _____ DATE _____ SCALE AS SHOWN
DRAWN BY _____ DWG NO. WPCP-1978/1-MISG-NO 13/43

Napanee UTILITIES **WPCP 060**

TOWN OF NAPANEE		WATER POLLUTION CONTROL PLANT - STAGE 2 CONTRACT	
MISCELLANEOUS DETAILS			
J. D. LEE ENGINEERING LIMITED CONSULTING ENGINEERS - KINGSTON BRANTFORD ONT			
3	MAR/83	AS-BUILT	M.S.
2	01-06-12	GENERAL	DESIGN
1	05-07-78	GENERAL	MS DWN
DATE	REVISION	CHK	QUANT



Napaneé UTILITIES

WPCP 061

GREATER NAPANEE WATER SUPPLY & POLLUTION CONTROL BOARD
 75 EAST STREET, NAPANEE, ONTARIO K0R 1S3 (613) 354-9338 FAX (613) 354-2938

PROJECT **1314 MISCELLANEOUS DETAILS**

SEWAGE TREATMENT PLANT

APPROVED BY _____ SPECIFICATIONS _____

DESIGNED BY _____ DATE **MAR 1978** SCALE **AS SHOWN**

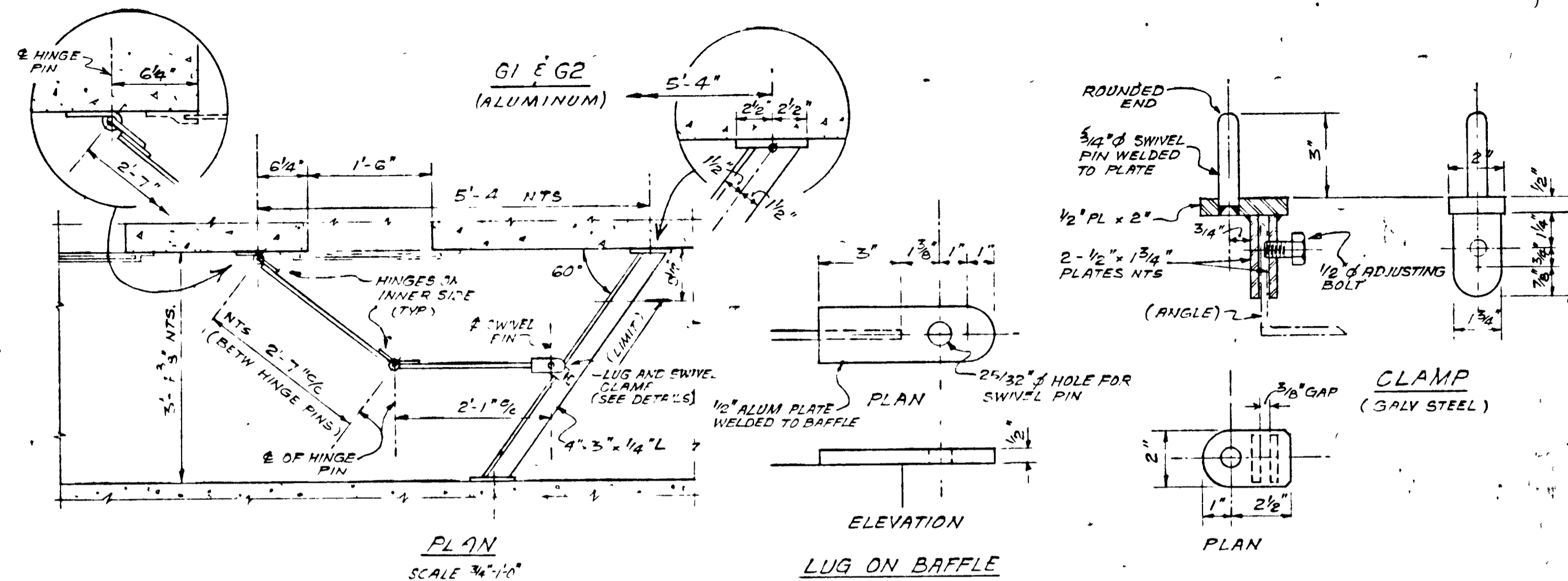
DRAWN BY _____ DWG NO **WPCP-1978/1-MISC-Nº 14/43**

TOWN OF NAPANEE

WATER POLLUTION CONTROL PLANT - STAGE 2 CONTRACT

MISCELLANEOUS DETAILS

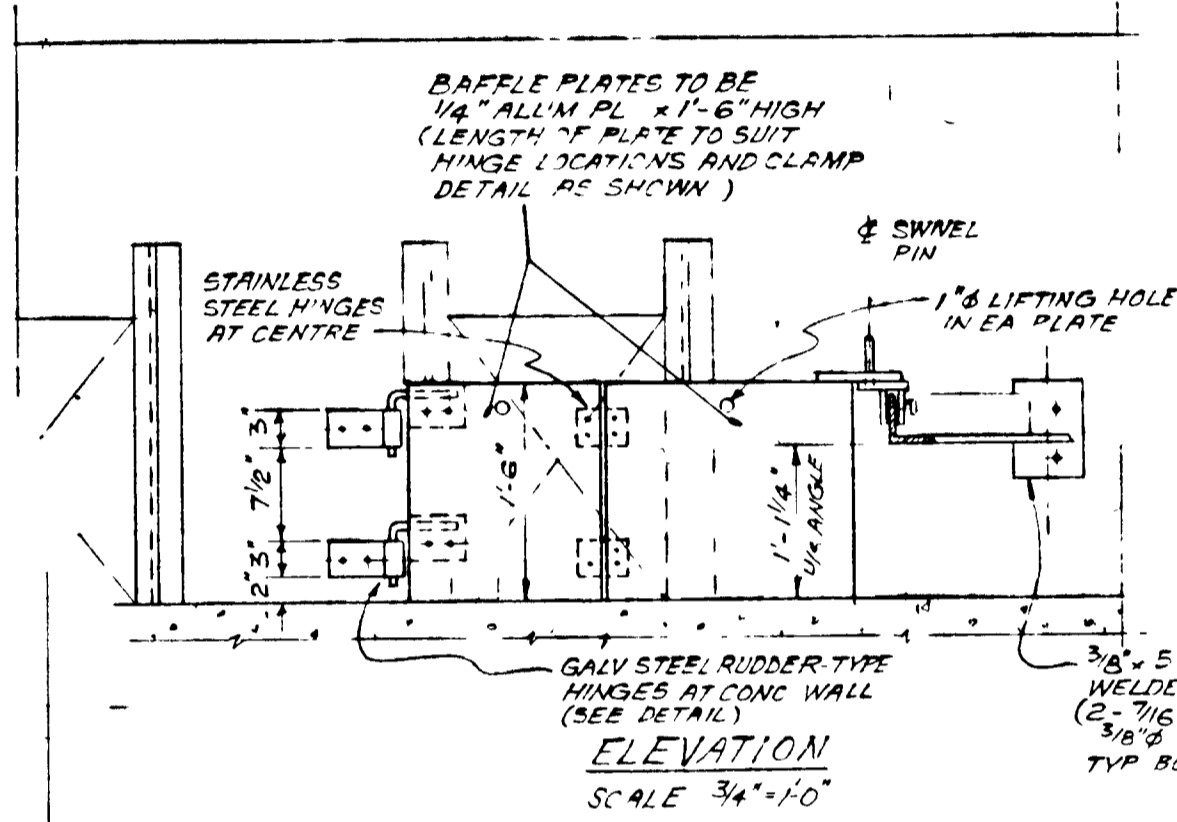
4. MAR/83	AS-BUILT	MS	J. D. LEE ENGINEERING LIMITED		
2. 81-08-05	CHANGE ORDER #1	MS	CONSULTING ENGINEERS - KINGSTON BRANTFORD, ONT.		
1. 81-04-12	GENERAL	MS	DESIGN	SCALE AS SHOWN	JOB NO 1314 DATE 30 MAR 78
1. 81-07-78	GENERAL	MS	DWN	SM	SHEET D2
DATE	REVISION	CHK	QUANT	DWG NO. 1209C	REVISION 4



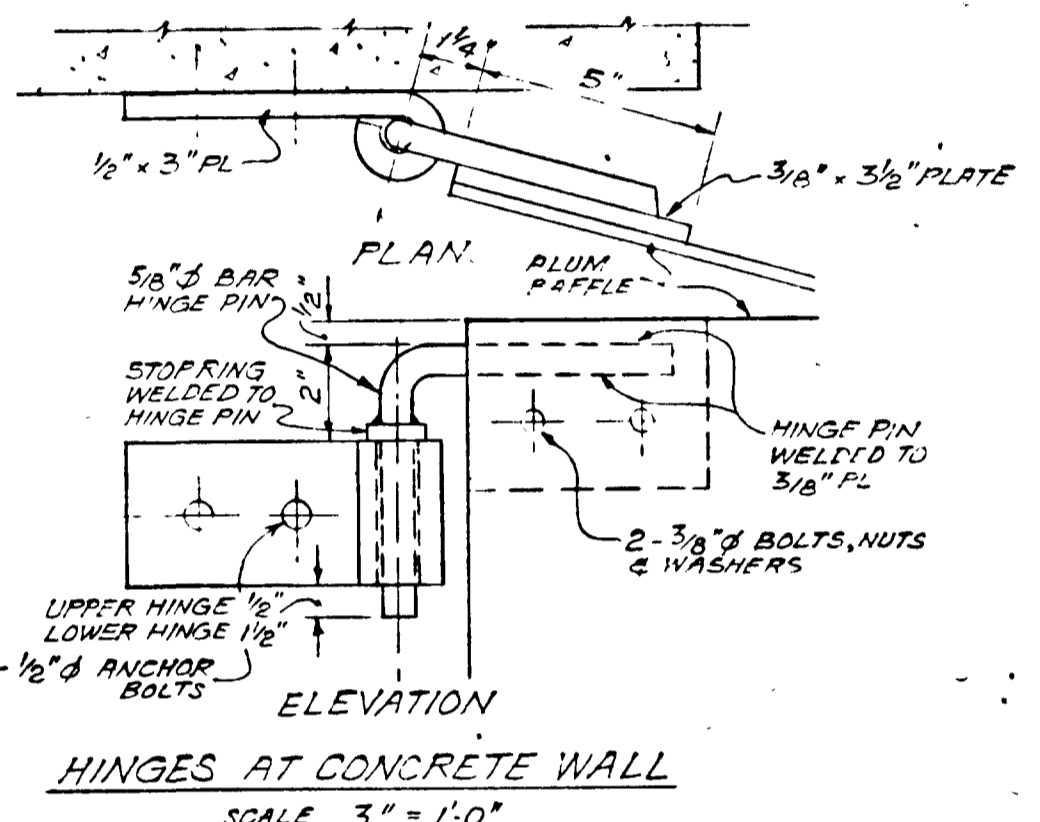
PLAN SCALE 3/4"=1'-0"

ELEVATION LUG ON BAFFLE

PLAN CLAMP (GALV STEEL)

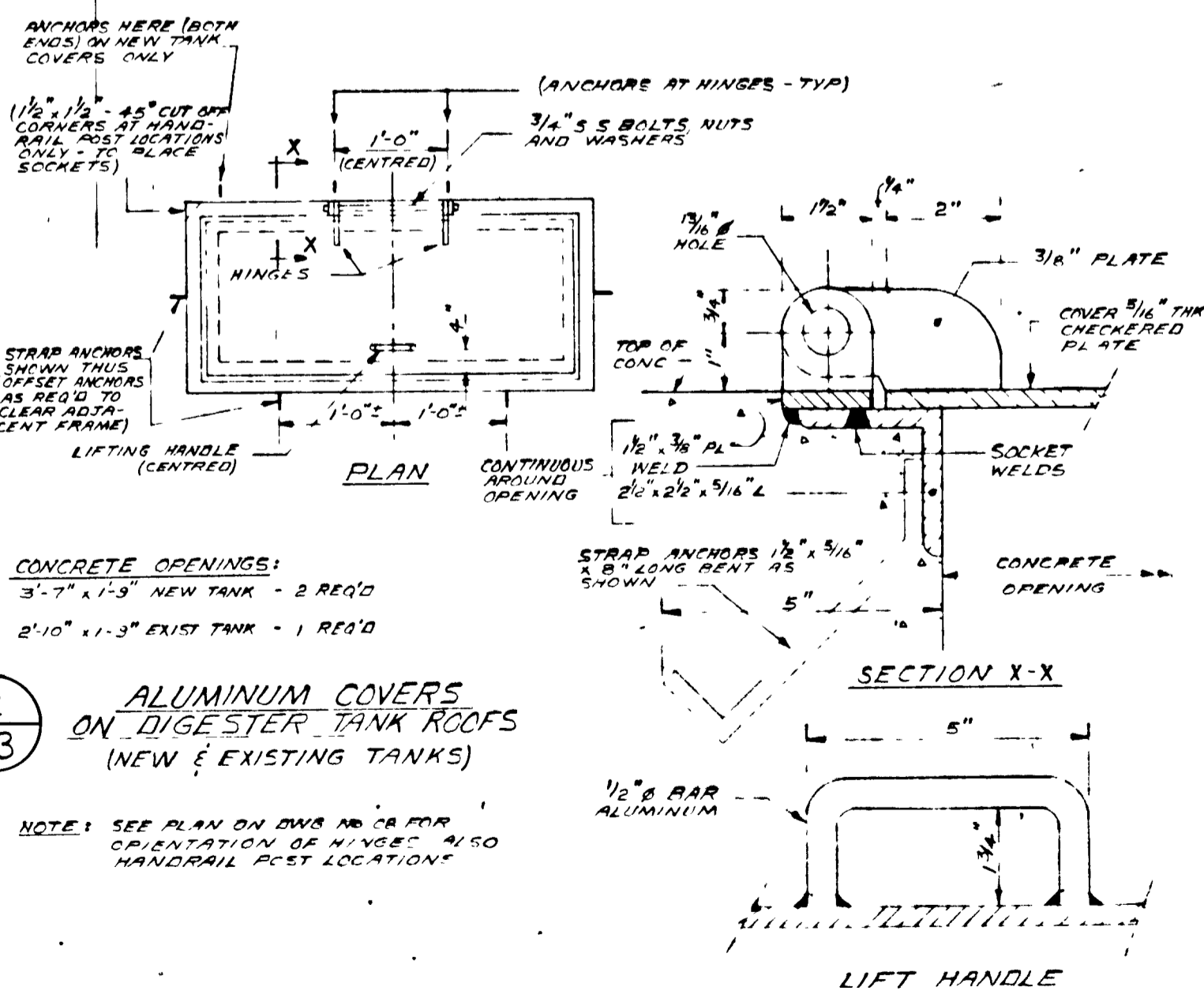


ELEVATION SCALE 3/4"=1'-0"



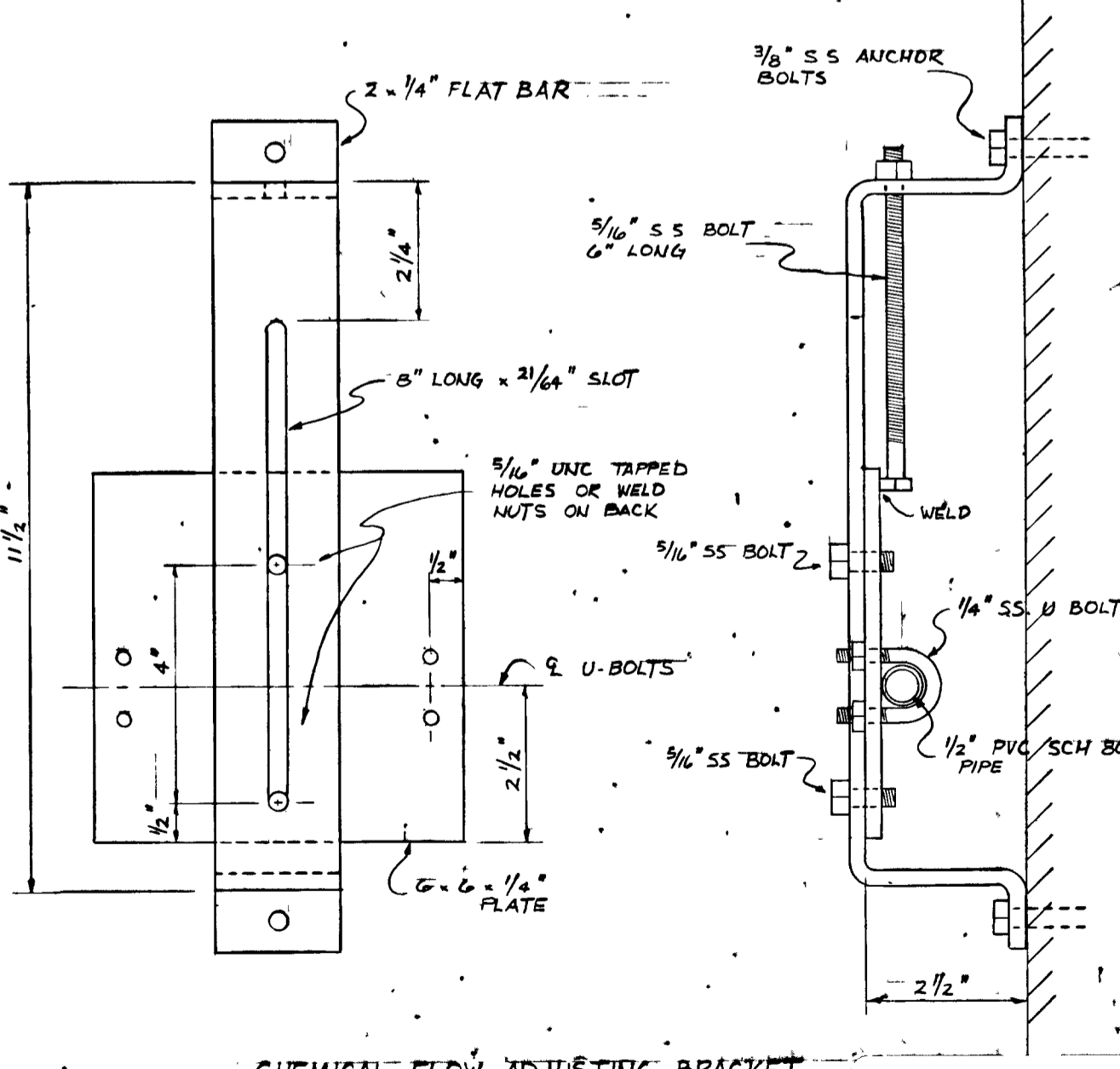
ELEVATION HINGES AT CONCRETE WALL SCALE 3"=1'-0"

ADJUSTABLE BAFFLE (ALL ALUMINUM)

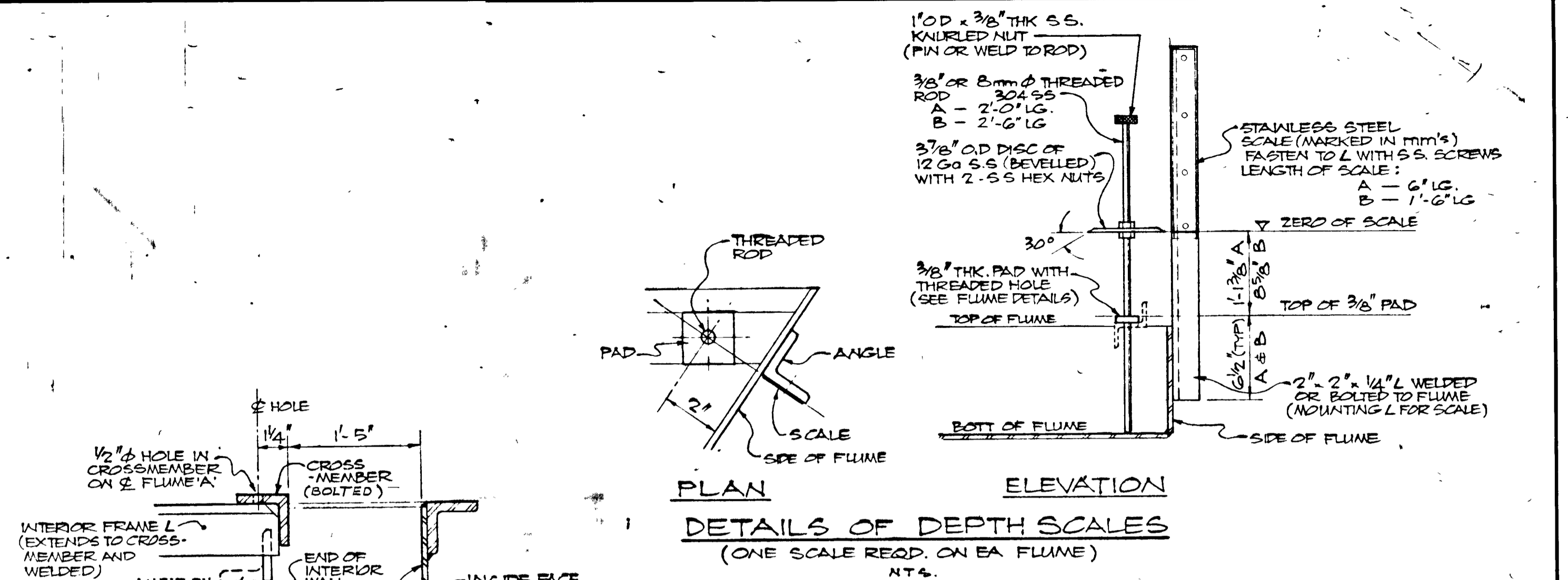


ALUMINUM COVERS ON DIGESTER TANK ROOFS (NEW & EXISTING TANKS)

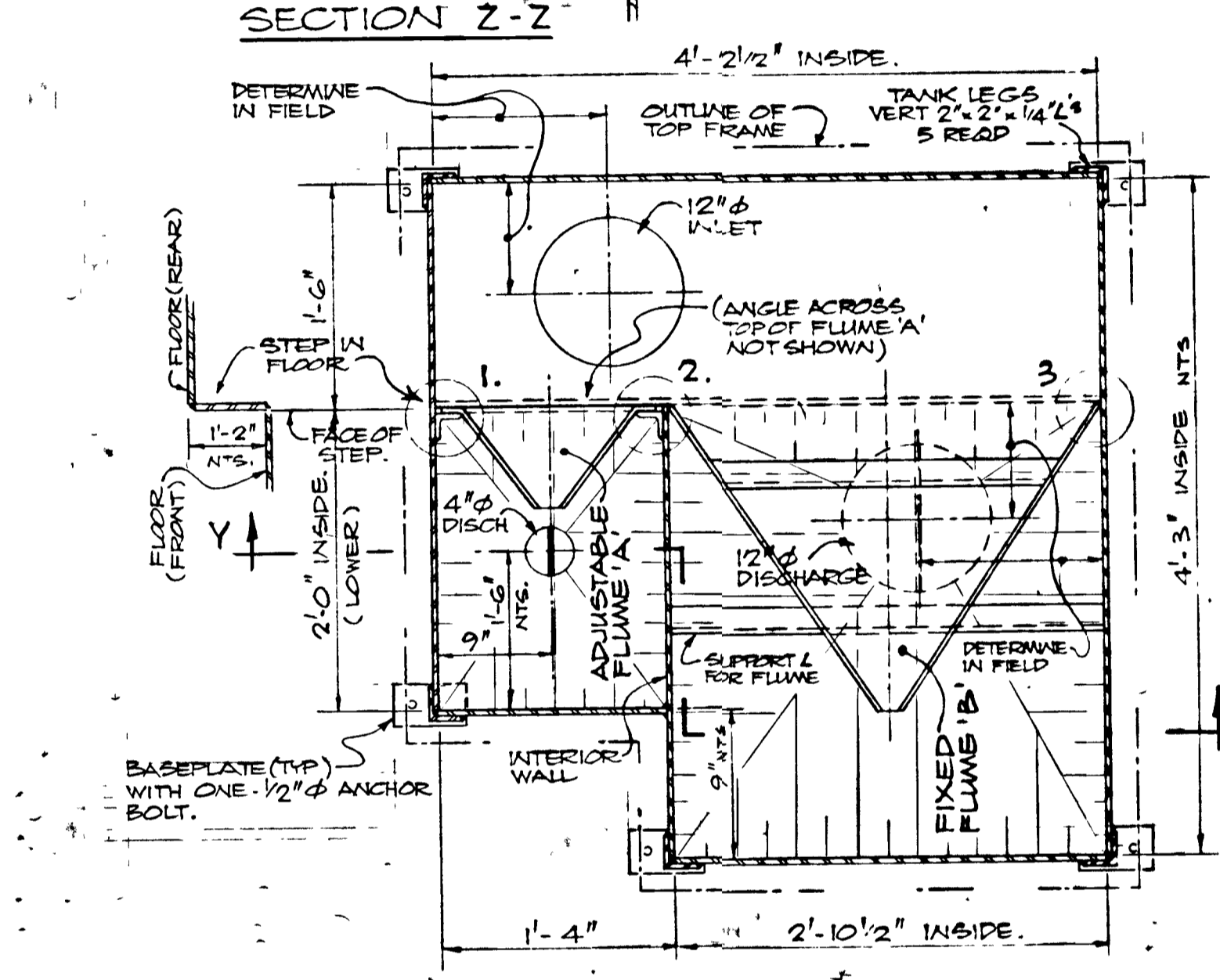
LIFT HANDLE



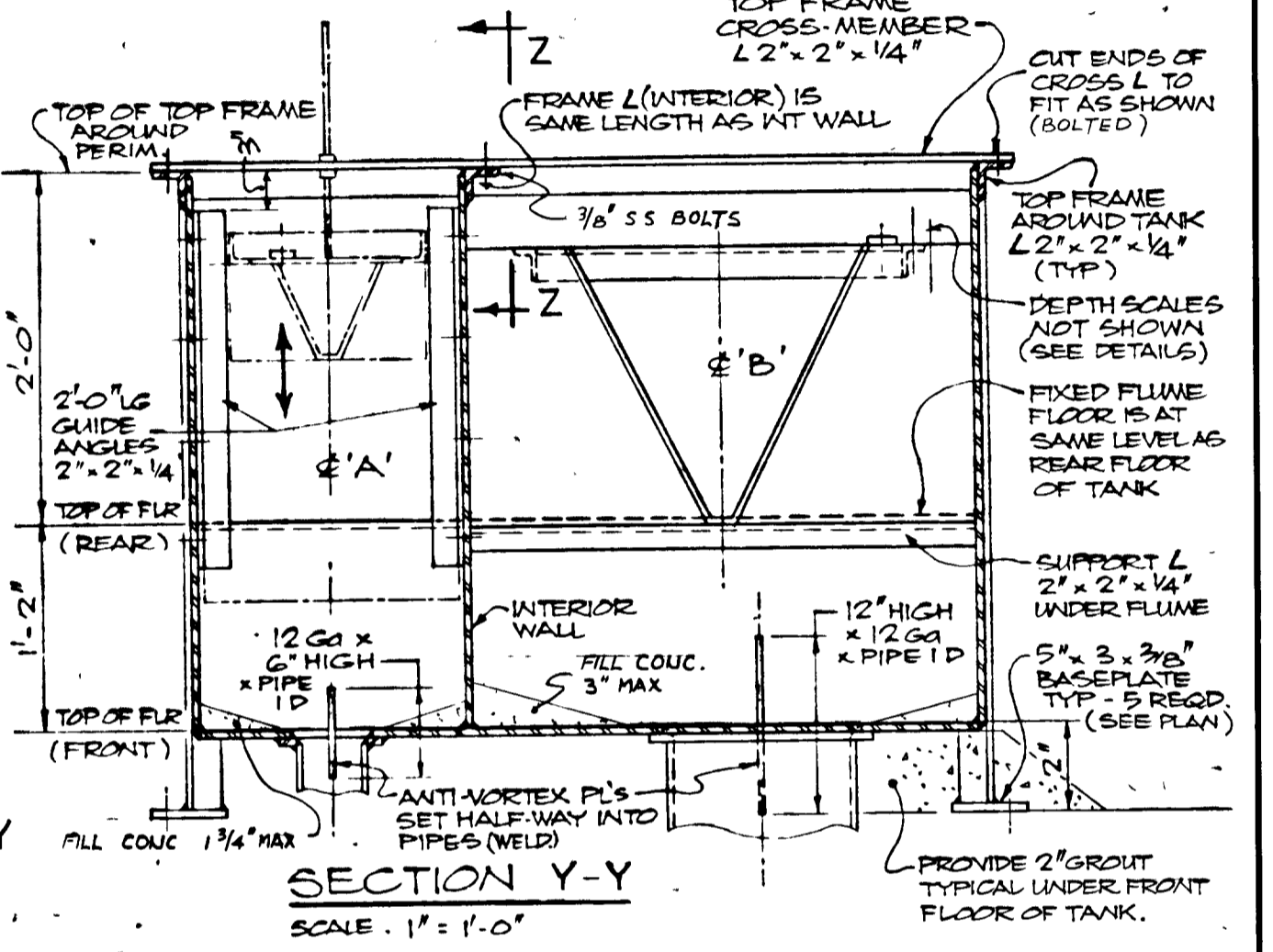
CHEMICAL FLOW ADJUSTING BRACKET



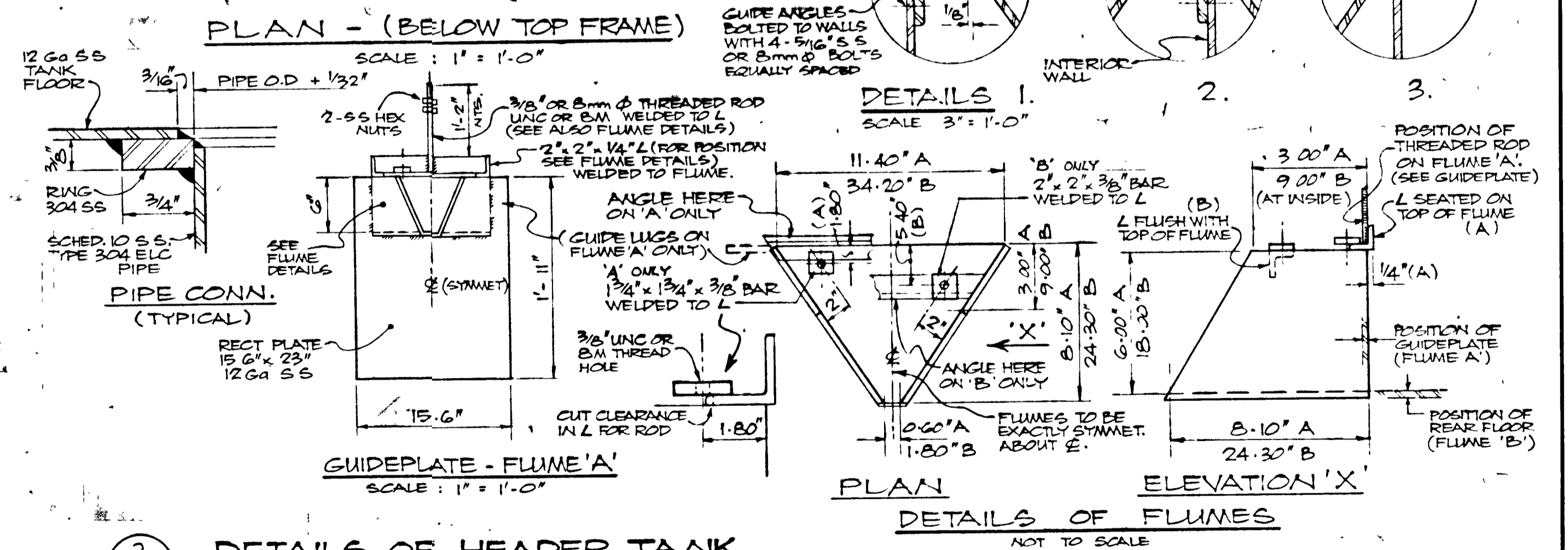
DETAILS OF DEPTH SCALES (ONE SCALE REQD. ON EA FLUME)



PLAN - (BELOW TOP FRAME) SCALE: 1"=1'-0"



SECTION Y-Y SCALE: 1"=1'-0"



DETAILS OF FLUMES NOT TO SCALE

DETAILS OF HEADER TANK ALL STAINLESS STEEL CONSTRUCTION. (12GA TYPE 304 UNLESS NOTED OTHERWISE)

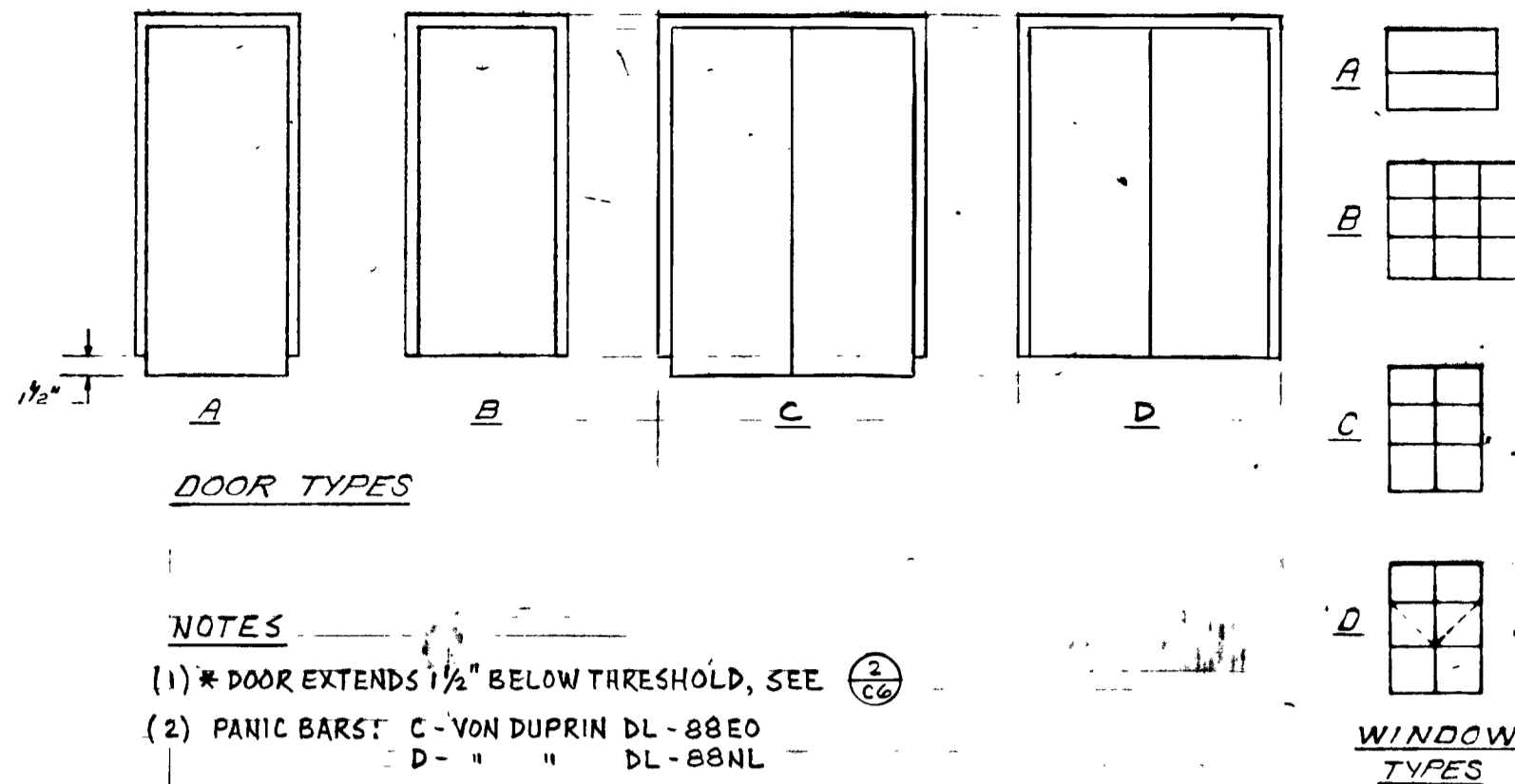
GREATER NAPANEE WATER SUPPLY & POLLUTION CONTROL BOARD 76 EAST STREET, NAPANEE, ONTARIO K7R 1S3 (613) 354-8238 FAX (613) 354-2838	
PROJECT 1314 MISCELLANEOUS DETAILS STAGE 2 SEWAGE TREATMENT PLANT	
APPROVED BY	SPECIFICATIONS
DESIGNED BY	DATE MAR 1978 SCALE AS SHOWN
DRAWN BY	DWG NO WPC-1978/A-MISC-NO 15/43

TOWN OF NAPANEE WATER POLLUTION CONTROL PLANT - STAGE 2 CONTRACT MISCELLANEOUS DETAILS			
MAR 78 AS-BUILT	M.S.	J. D. LEE ENGINEERING LIMITED CONSULTING ENGINEERS - KINGSTON BRANTFORD, ONT.	
81-07-20 APPENDIX #1	M.S.	SCALE AS SHOWN	JOB NO. 1314
81-06-12 GENERAL	M.S.	DESIGN	DATE 30 MAR 78
DATE	REVISION	MS DWN SM	DWG NO 1209C
		CHK QUANT	SHEET D3
			REVISION 4



WPCP 062

DOOR SCHEDULE											
BLDG No.	DOOR No.	REQ'D	TYPE	MATERIAL	DOOR SIZE	GLASS TYPE	MANUFACTURER AND CAT No. (OR EQUAL)	LOCKSET	FRAMING	PULL-BAR	REMARKS
1	D1	1	A	STEEL	2'-4" x 6'-8"	---	WESTEEL H19	C	---	---	EXIT ONLY
1	D2	1	A	"	2'-4" x 6'-8"	---	" H19	C	---	---	EXIT ONLY
1	D3	1	A	"	3'-0" x 7'-2"	---	" H19	1 D	✓	✓	LHR
1	D4	1	A	"	3'-0" x 7'-2"	---	" H19	1 D	✓	✓	LHR
1	D5	1	C	"	6'-0" x 7'-2"	---	" H19	1 D	✓	✓	RHR ACTIVE LEAF (SEE NOTE 5)
1	D6	1	D	"	6'-0" x 6'-8"	---	" F19	---	✓	✓	LH PROVIDE FLOOR STOP
3	D7	1	A	"	2'-4" x 6'-8"	---	" H19	C	---	---	LHR EXIT ONLY
3	D8	1	A	"	3'-0" x 7'-2"	---	" H19	2	✓	✓	LHR
3	D9	1	E	"	2'-4" x 6'-8"	---	" F19	---	✓	✓	RH
5	D10	1	A	"	3'-0" x 6'-8"	---	" H19	2	✓	✓	LHR
5	D11	1	A	"	3'-0" x 6'-8"	---	" H19	2	✓	✓	LHR
5	D12	1	B	"	2'-4" x 6'-8" (OFF RECORD)	---	" H19	C	---	---	LHR HEIGHT OF EXIST MASONRY OPENING UNLESS TO BE REINFORCED IN THE FUTURE EXIT ONLY
5	D13	1	B	"	EXISTING DOOR TO BE REHING	---	" H19	C	---	---	RH PROVIDE FLOOR STOP
1	D14	1	B	"	3'-0" x 6'-8"	---	WESTEEL H19	---	✓	✓	LHR
1	D15	1	B	"	2'-6" x 6'-8"	---	" H19	---	✓	✓	LHR



- NOTES**
- * DOOR EXTENDS 1/2" BELOW THRESHOLD, SEE (2)
 - PANIC BAR: C - VON DUPRIN DL-88EO
D - " DL-88NL
 - THRESHOLDS: Z - ALUMINUM ANGLE
--- CAST ALUMINUM SADDLE
 - LOCKSETS: 1 - KEY RETRACTS LATCH BOLT ON PANIC BAR
2 - DEADLOCK
 - ON INACTIVE LEAF PROVIDE SURFACE BOLTS TOP & BOTTOM, CLOSER & ASTRAGAL.

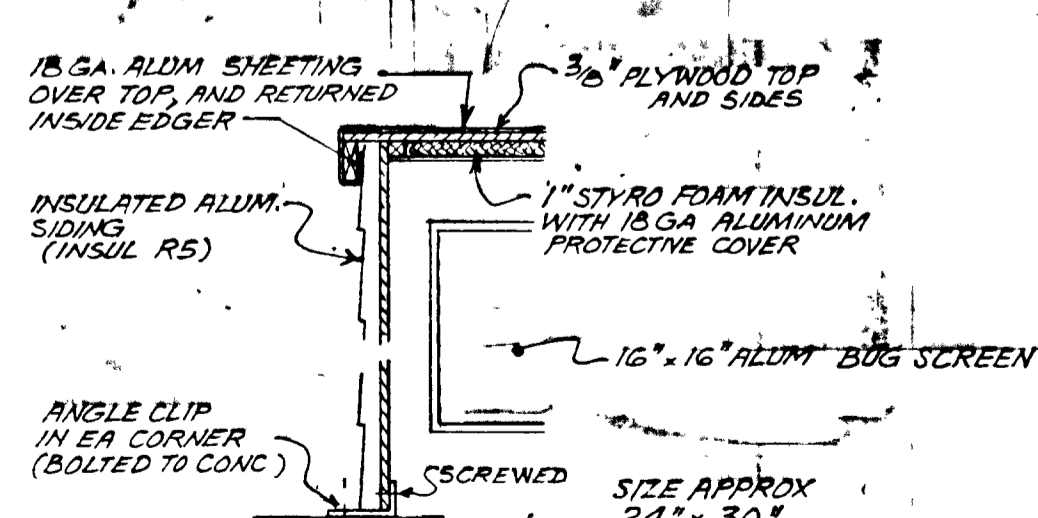
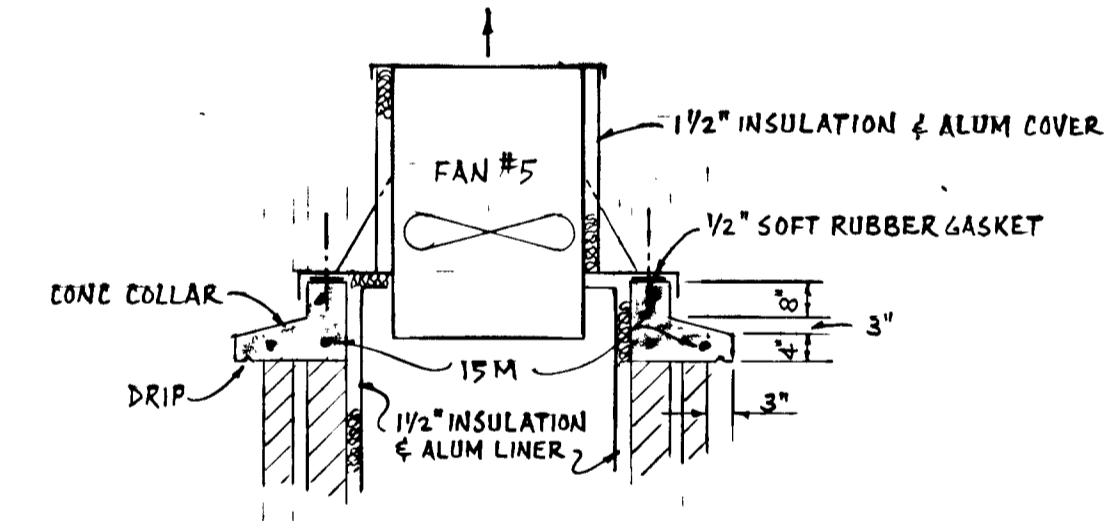
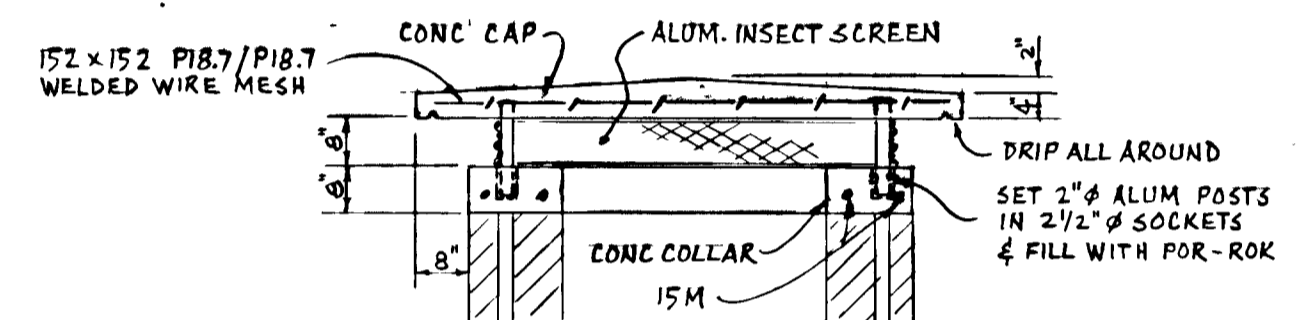
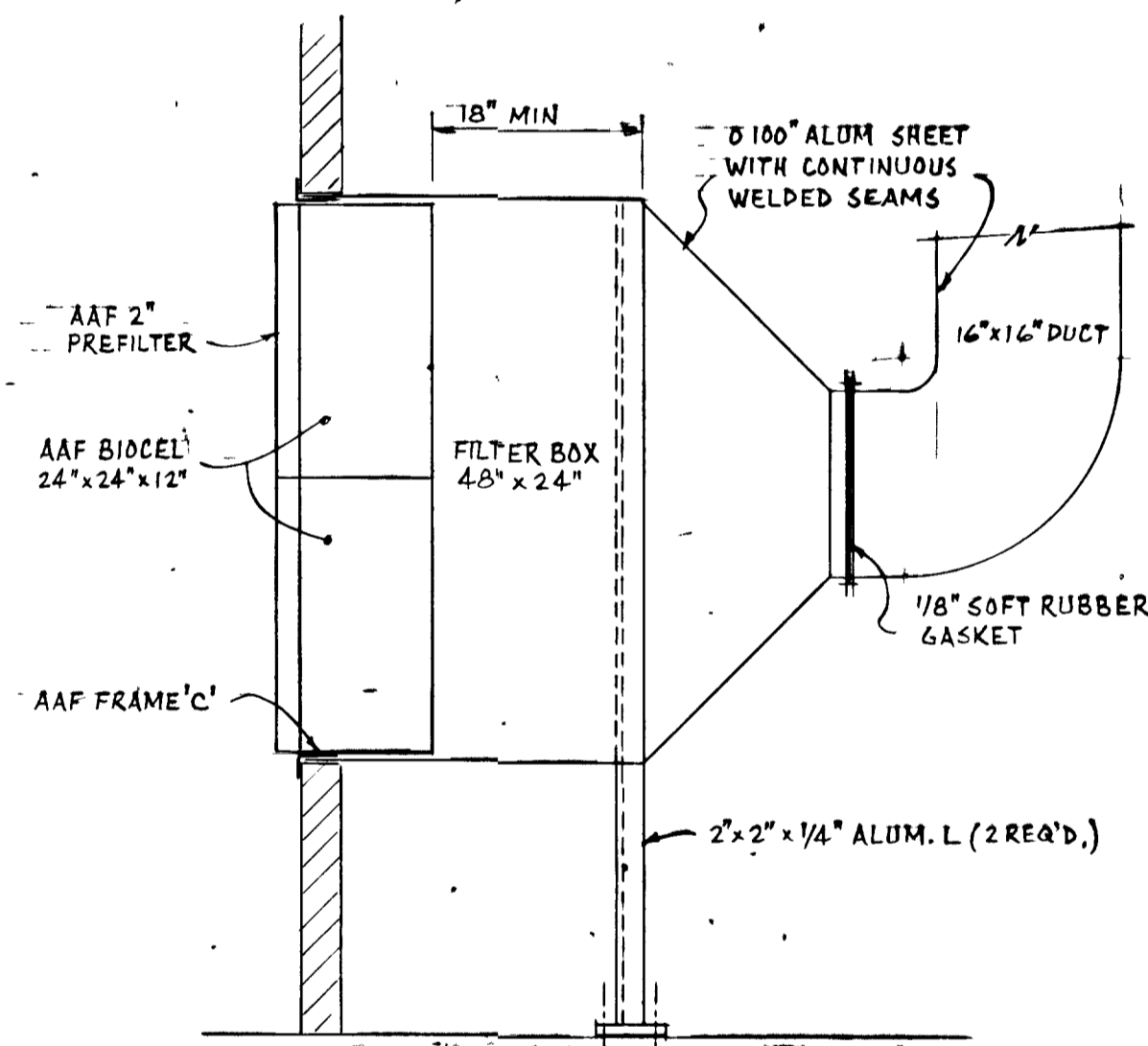
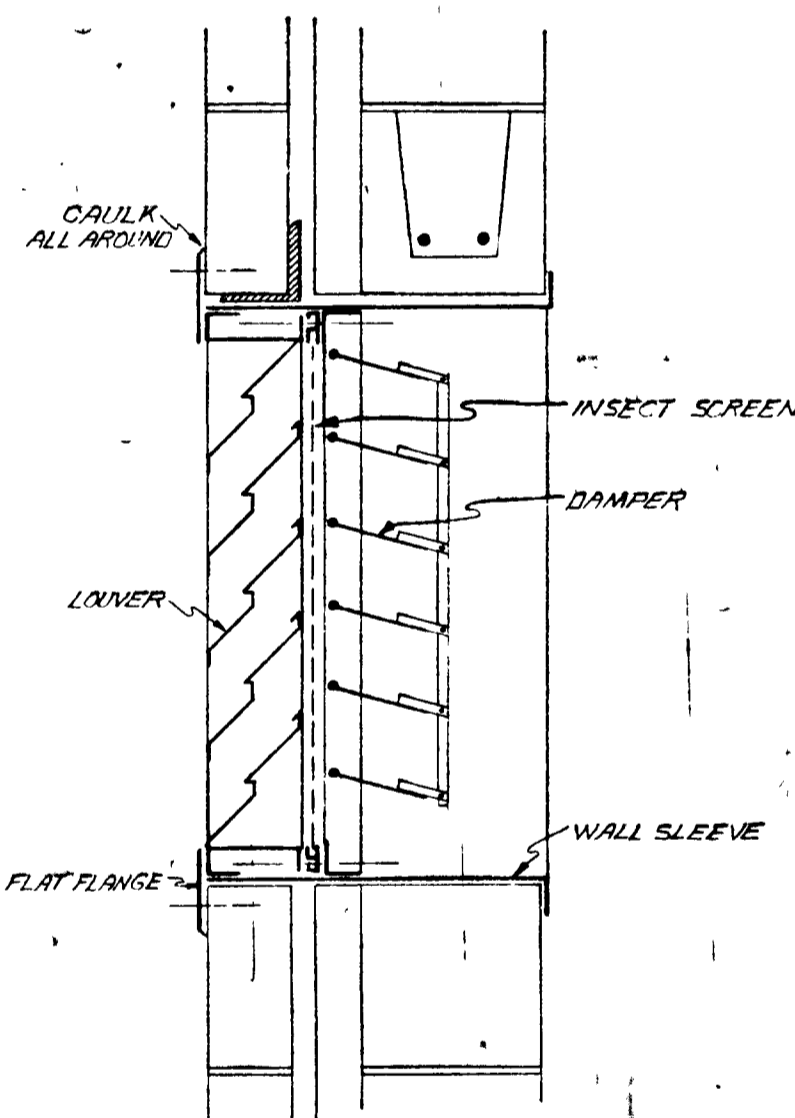
WINDOW SCHEDULE						
BLDG No.	WINDOW No.	REQ'D	TYPE	FRAME MATERIAL	MASONRY OPENING	MANUFACTURER
3	W1	1	A	ALUMINUM	2'-8" H x 4'-0" W	SHERWOOD (OR EQUAL)
3	W2	1	A	"	2'-8" H x 4'-0" W	"
5	W3	1	C	"	4'-4" H x 3'-3 1/2" W	SEE NOTE
5	W4	1	D	"	4'-6" H x 3'-3 1/2" W	"
5	W5	1	D	"	4'-4" H x 3'-3 1/2" W	"
5	W6	1	D	"	4'-4" H x 3'-3 1/2" W	"
5	W7	1	C	"	4'-4" H x 3'-3 1/2" W	"
5	W8	1	B	"	4'-6" H x 5'-6" W	"
5	W9	1	B	"	4'-4" H x 5'-6" W	"
5	W10	1	B	"	4'-4" H x 5'-6" W	"

* HEIGHT AND WIDTH OF EXISTING MASONRY OPENINGS FOR THESE WINDOWS TO BE MEASURED IN THE FIELD TO DETERMINE WINDOW SIZE (ESPECIALLY IN REGARD TO POSITION AND SHAPE OF EXISTING STONE SILL - TO REMAIN)

(MASONRY OPENINGS FOR W3 AND W4 ARE TO BE CONSTRUCTED TO MATCH EXISTING OPENINGS AT W5, W6 & W7)

VENTS SCHEDULE							
BLDG No.	VENT No.	REQ'D	SIZE	SIZE OF CONNECTING DUCT	FAN	DAMPER	LOUVER
3	V1	1	8" H x 1'-4" W	1"	---	---	BRICK VENT CONSTRUCTION SPECIALTIES 23 EX
3	V2	3	8" H x 1'-4" W	1"	---	---	BRICK VENT CONSTRUCTION SPECIALTIES 23 EX
3	V3	1	1'-4" H x 1'-4" W	1"	---	---	AIRLOLITE TYPE T666
3	V4	1	1'-4" H x 1'-4" W	1"	---	---	AIRLOLITE TYPE T666
3	V5	2	1'-4" H x 1'-4" W	1"	FANS #1 & #2	AIRSTREAM MODEL FBD-12	AIRLOLITE TYPE T666
5	V6	2	2'-0" H x 1'-4" W	1"	---	---	AIRLOLITE TYPE T639
5	V7	1	2'-0" H x 2'-0" W	1"	---	---	AIRLOLITE TYPE T639
5	V8	1	2'-0" H x 2'-0" W	1"	---	---	AIRLOLITE TYPE T639
5	V9	2	1'-4" H x 1'-4" W	1"	---	---	AIRLOLITE TYPE T666
5	V10	1	1'-4" H x 1'-4" W	1"	FAN #3	AIRSTREAM MODEL FBD-12	AIRLOLITE TYPE T666
5	V11	1	8" H x 8" W	1"	FAN #4	---	BRICK VENT CONSTRUCTION SPECIALTIES 13 EX
1	W1	2	8'-0" H x 4'-0" W	---	---	---	COMBINATION - 4'x8' AIRSTREAM SA (FIXED) 4'x4' AIRSTREAM MO (MOTORISED), 4'x4' AIRSTREAM MO (CHAIN OP)
1	V12	5	2'-0" H x 2'-0" W	---	---	---	AIRSTREAM TAO OP-2
1	V13	1	2'-0" H x 2'-0" W	---	FAN #6	---	AIRSTREAM MODEL FBD-12
4	V14	1	4'-0" H x 3'-0" W	---	---	---	COMBINATION - AIRLOLITE T663-E (MOTOR OPERATED) & T639 (FIXED)
4	V15	1	4'-11" H x 3'-4" W	---	---	---	COMBINATION - AIRLOLITE T663-E (MOTOR OPERATED) & T639 (FIXED)

- NOTES**
- ALL FIXED LOUVERS TO BE SUPPLIED WITH ALUMINUM INSECT SCREENS IN EXTRUDED ALUMINUM REVERSIBLE FRAMES.
 - ALL SURFACES OF BRICKING IN CONTACT WITH MASONRY OR OTHER METALS TO BE COATED WITH BITUMASTIC PAINT.
 - ALL FASTENERS TO BE STAINLESS STEEL OR ALUMINUM.



GREATER NAPANEE WATER SUPPLY & POLLUTION CONTROL BOARD
75 EAST STREET, NAPANEE, ONTARIO K7R 1S9 (813) 254-9238 FAX (813) 254-2836

PROJECT: 1314 SCHEDULES STAGE 2 SEWAGE TREATMENT PLANT

APPROVED BY: _____ SPECIFICATIONS: _____

DESIGNED BY: _____ DATE: MAR. 1978 SCALE: AS SHOWN

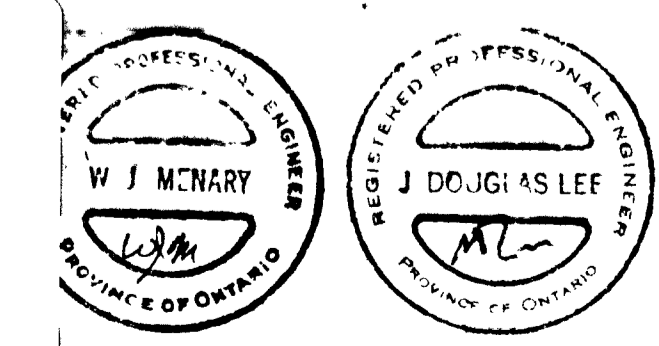
DRAWN BY: _____ DWG NO: WPCP-1978/1-MISC-NP16/43

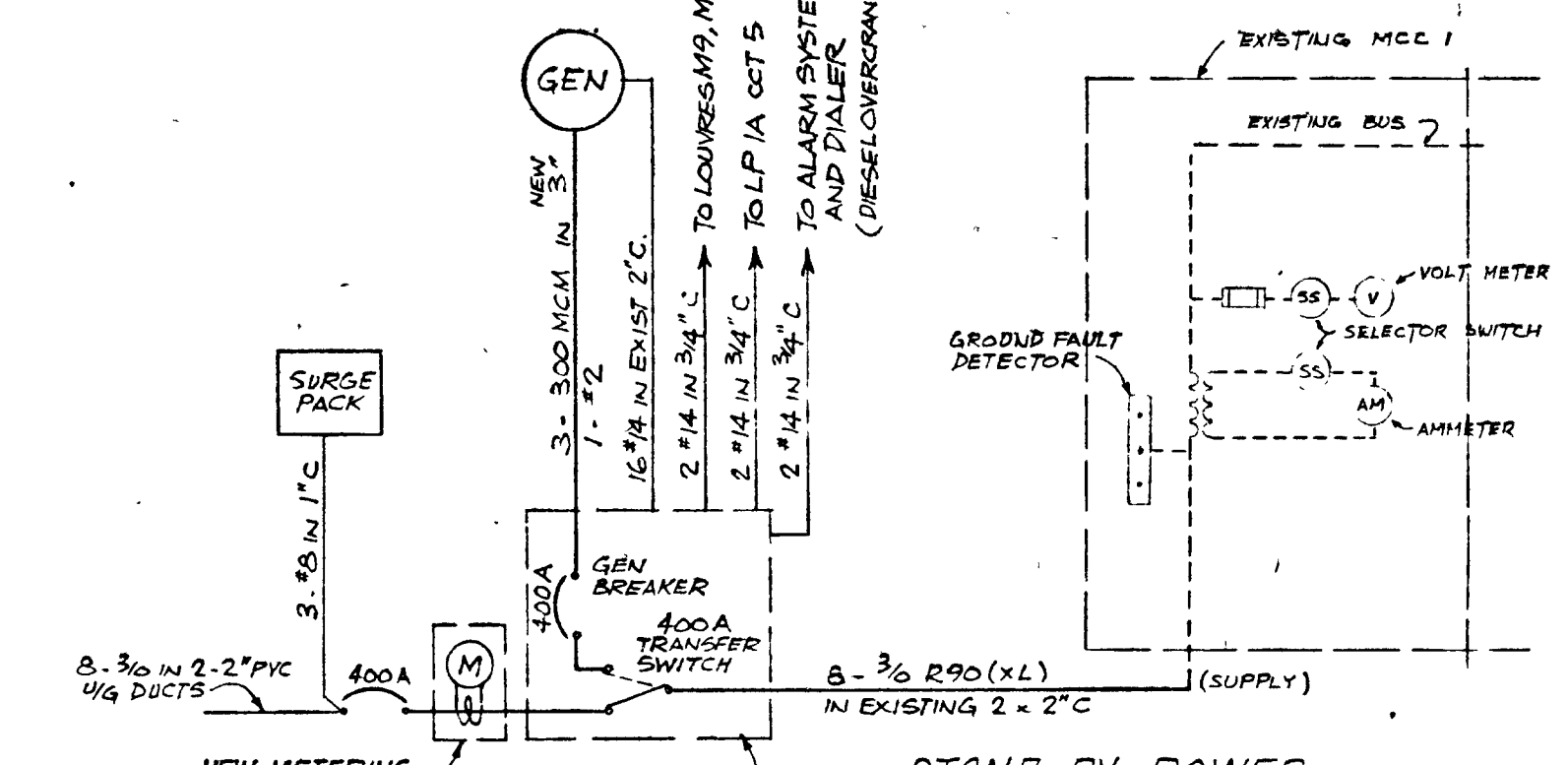
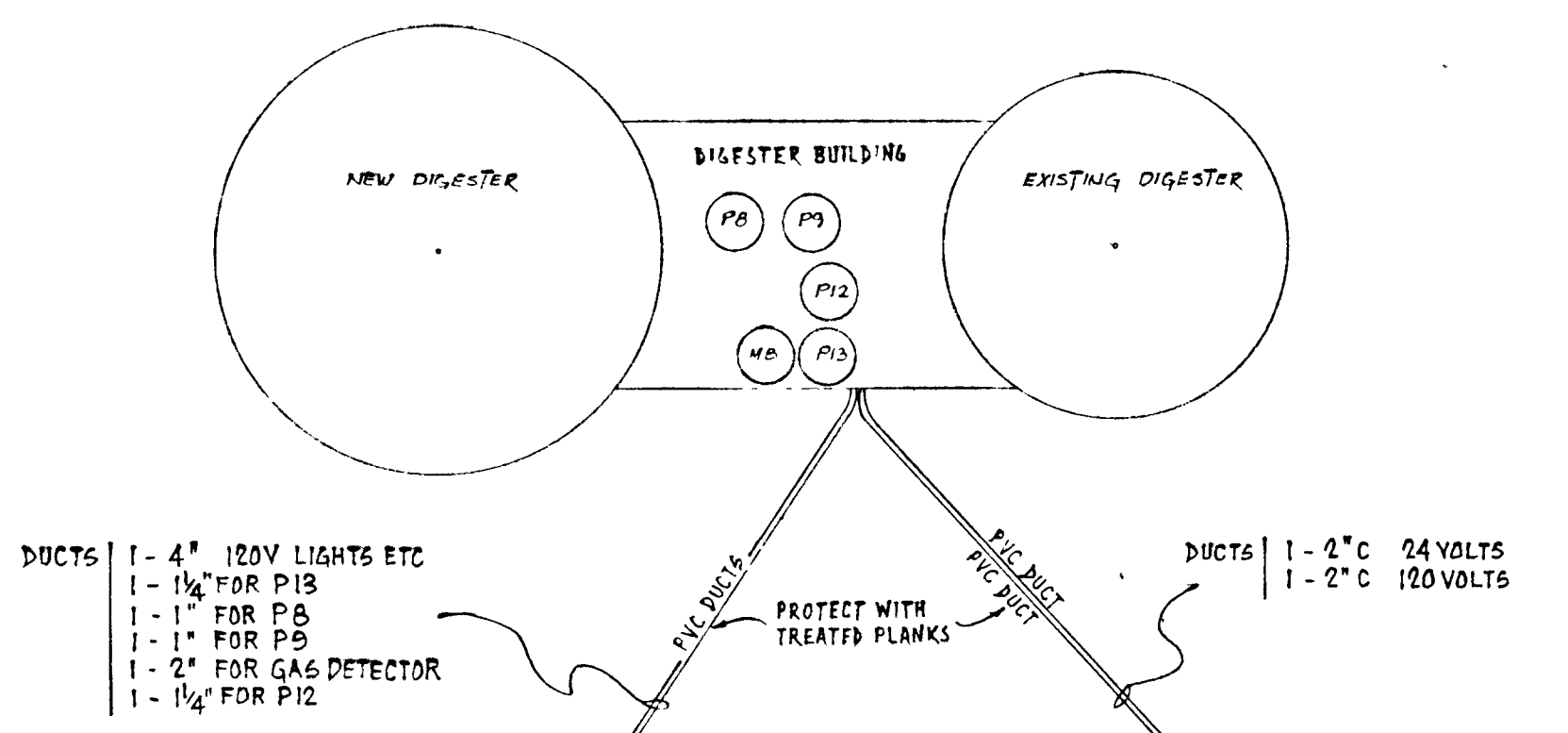
THIS DRAWING IS APPROVED
FOR CONSTRUCTION PURPOSES
By: R. Han Date: 08 20 81 Job No: 1314
J. D. LEE ENGINEERING LIMITED

TOWN OF NAPANEE			
WATER POLLUTION CONTROL PLANT - STAGE 2 CONTRACT			
SCHEDULES			
J. D. LEE ENGINEERING LIMITED			
CONSULTING ENGINEERS - KINGSTON BRANTFORD, ONT.			
DESIGN	WJL	SCALE	JOB NO
DWN	SM	AS SHOWN	1314
DATE	AS-BUILT	DWG NO.	DATE
REVISION	CHK	1209C	81 06 12
	QUANT		REVISION
			D4
			0



WPCP 063

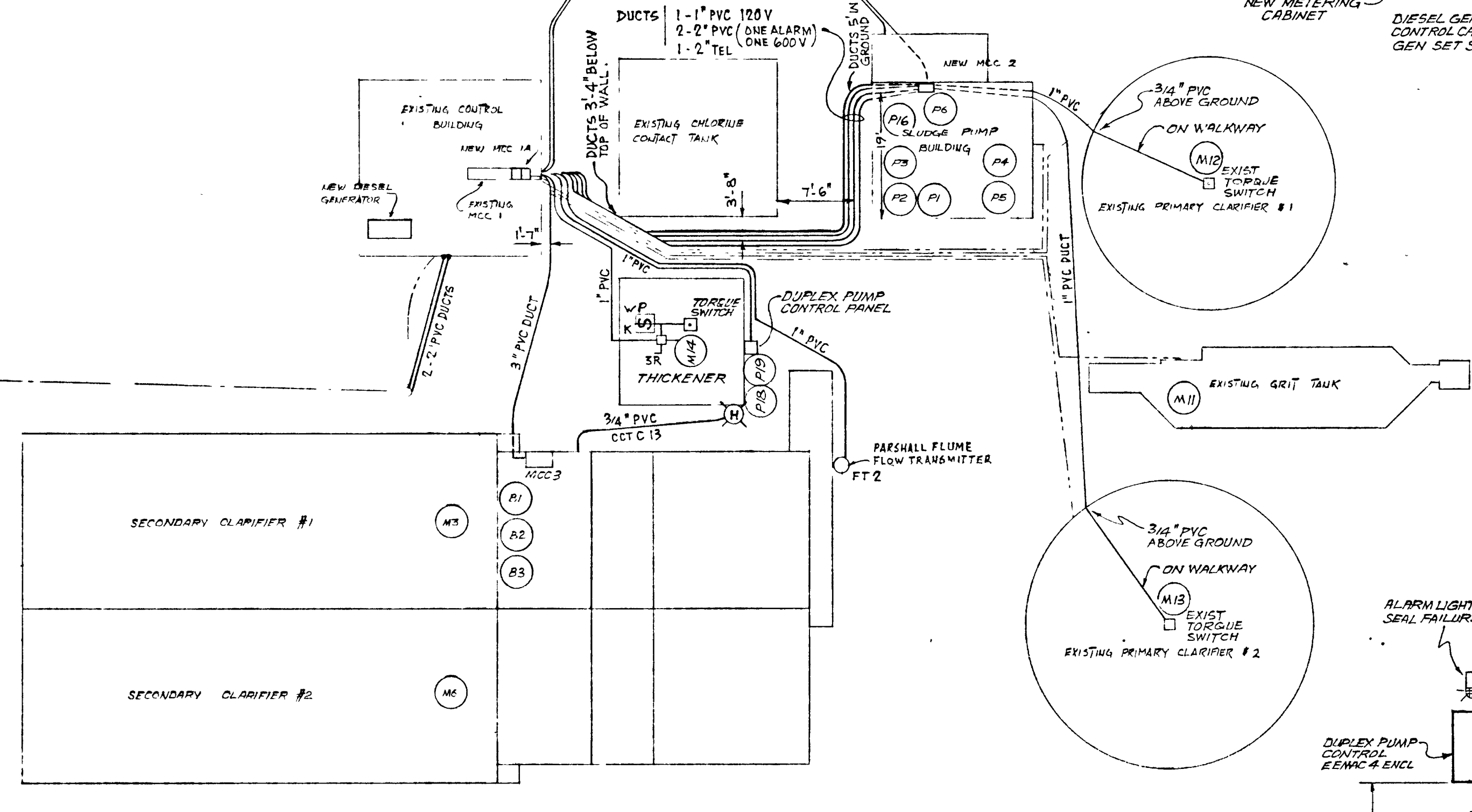




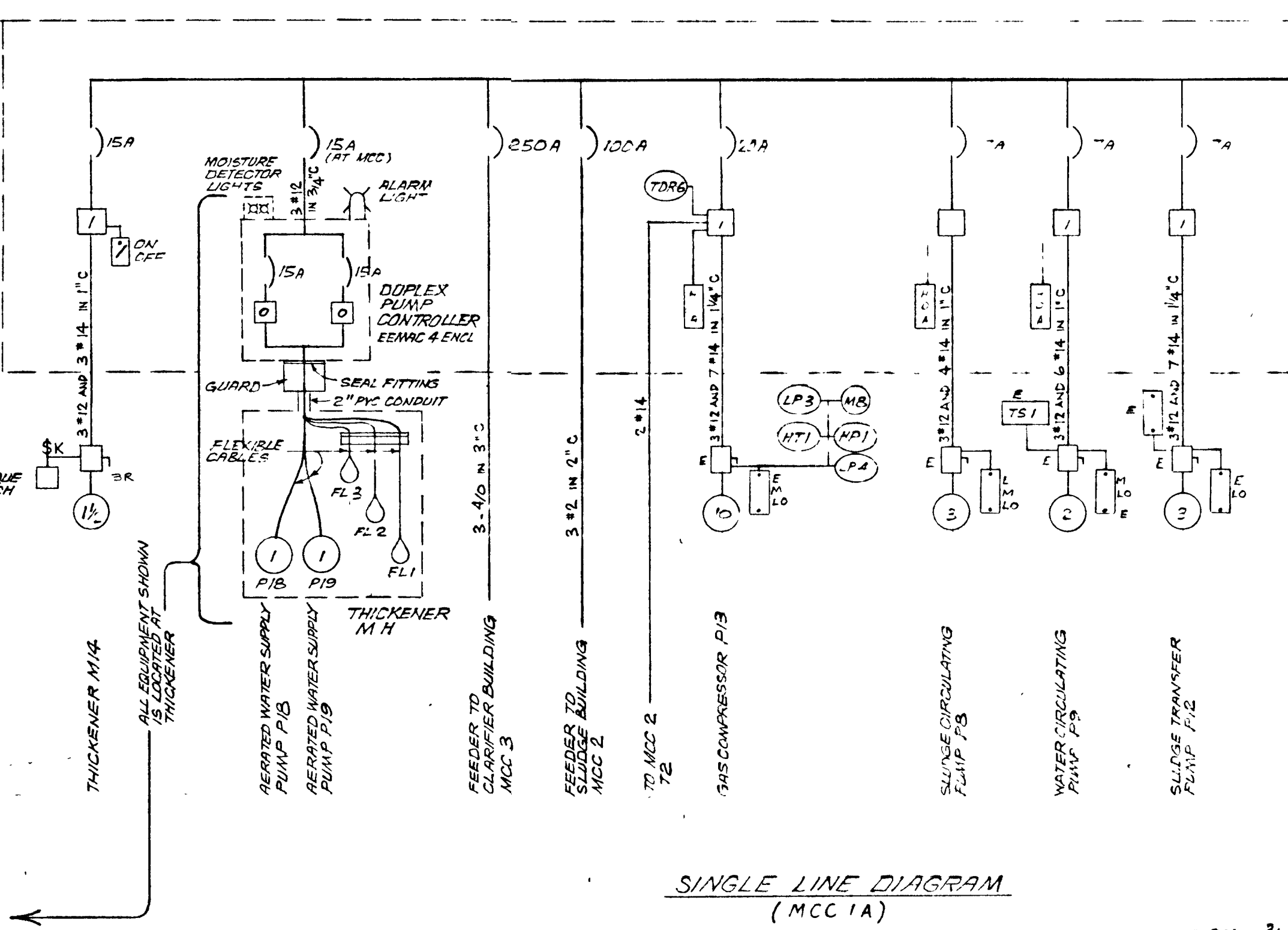
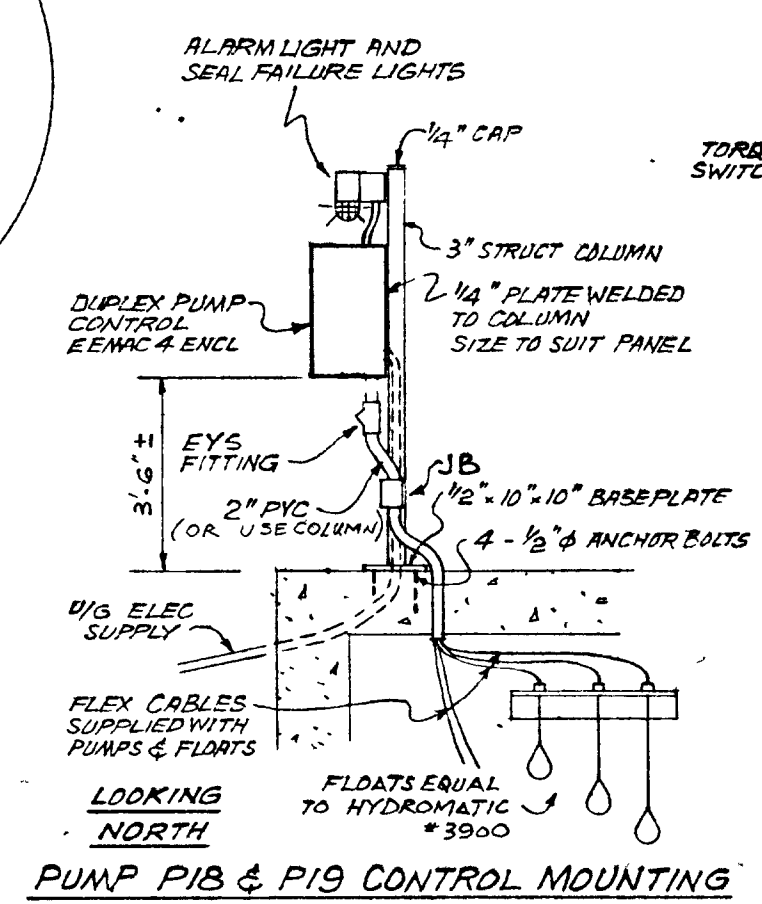
		GROUND DETECTOR	FILLER
			L.P.A.
1	2	ADD NEW FILLER TO ABANDONED METERING SECTION	TRANS
2	3		
3	4		
4	5		

NEW MCC1A EXISTING MCC1

- WORDING (FOR LAMINATED PLATES)**
- 1 GAS COMPRESSOR P13
 - 2 SLUDGE CIRCULATING PUMP P8
 - 3 WATER CIRCULATING PUMP P9
 - 4 SLUDGE TRANSFER PUMP P12
 - 5 CLARIFIER BUILDING FEEDER
 - 6 THICKENER M14
 - 7 LIGHTING PANEL '1A'
 - 8 THICKENER MANHOLE FEEDER (PUMPS P13, P19)
 - 9 SLUDGE BUILDING FEEDER



SITE PLAN
SCALE: 1" = 20'-0"



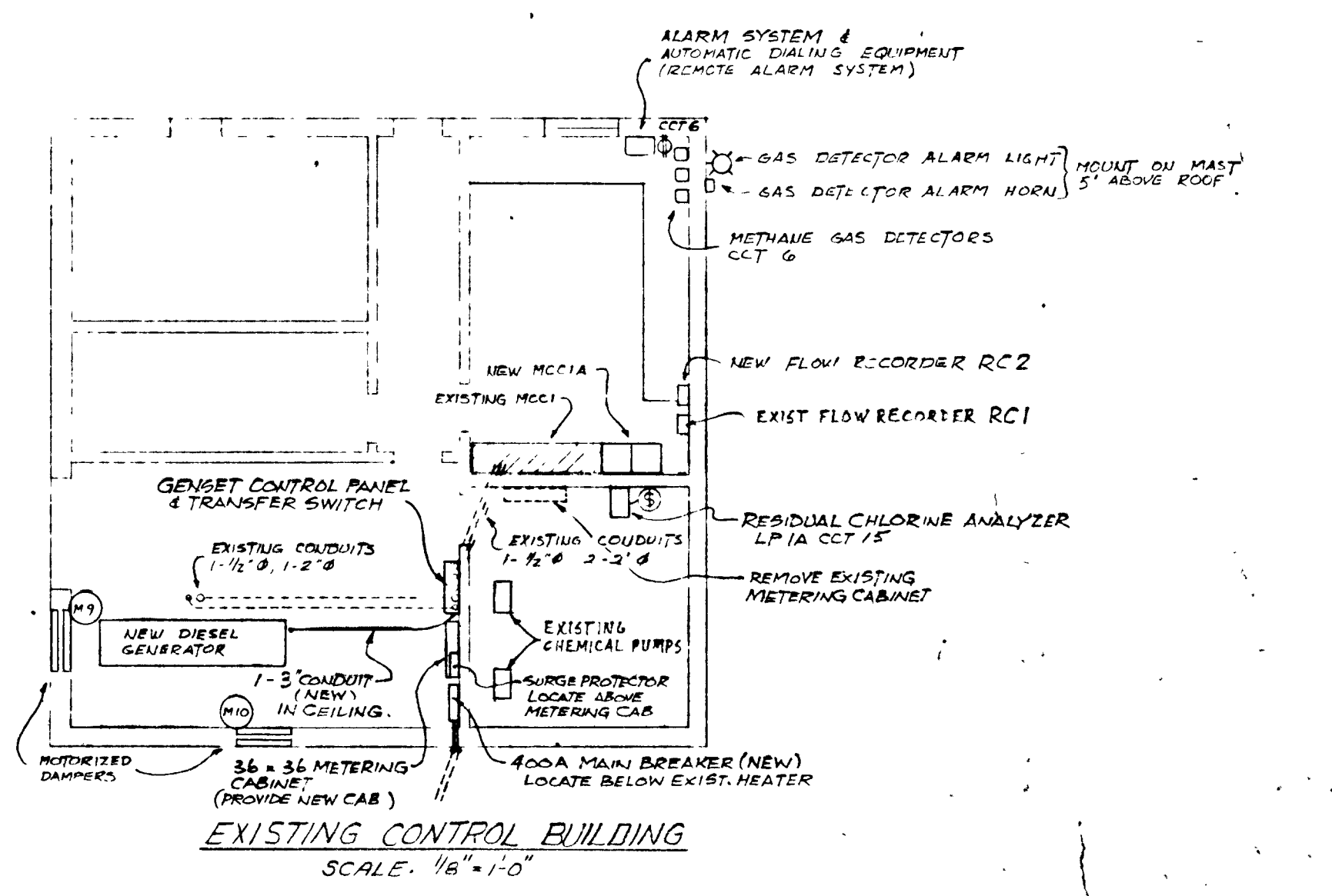
WPCP 064
Napanee UTILITIES

GREATER NAPANEE WATER SUPPLY & POLLUTION CONTROL BOARD
75 EAST STREET, NAPANEE, ONTARIO K0R 1S9
(613) 364-8338 FAX (613) 364-2888

PROJECT 1514 EXISTING CONTROL BUILDING ELECTRICAL - STAGE 2 SEWAGE TREATMENT PLANT

APPROVED BY: [Signature]
DESIGNED BY: [Signature]
DRAWN BY: [Signature]

DATE: M.A.R. 1978
DWG NO.: WPCP-1779/1-ELEC-1017/1.3



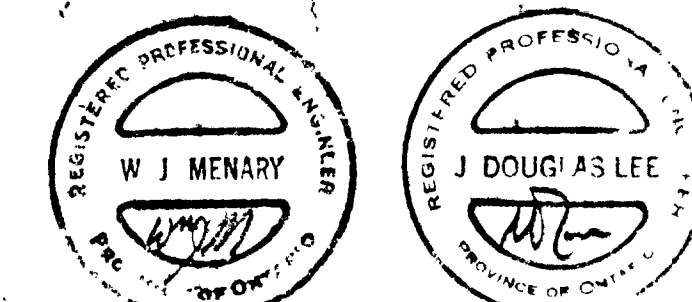
EXISTING CONTROL BUILDING
SCALE: 1/8" = 1'-0"

DIGESTER BUILDING		SERVICES		SERVICES		SERVICES		
L1	L2	L1	L2	L1	L2	L1	L2	
500		15A	12	15A	EXHAUST FAN - CRAWL SPACE 1/4 HP	400		
	1200	15A	4	15A	EXHAUST FAN 1/4 HP		400	
500		15A	5	15A	GAS DETECTOR, NOU, LIGHT, ALARM	200		
		15A	6	15A	SUMP PUMP, 1/3 HP	350	350	
		15A	12	15A	GAS PIPING HEATING CABLE	350	350	
500		15A	9	15A			800	
		15A	10					
		15A	11					
		15A	20					
1500	1200	TOTAL				TOTAL	1300	1900

POWER SUPPLY FOR LIGHTING PANEL '1A' TO COME FROM EXISTING 25 KVA TRANSFORMER IN MCC 1

LIGHTING PANEL '1A'

THIS DRAWING IS APPROVED FOR CONSTRUCTION PURPOSES
BY: [Signature] DATE: 03/12/78 JOB NO: 1514
J. D. LEE ENGINEERING LIMITED

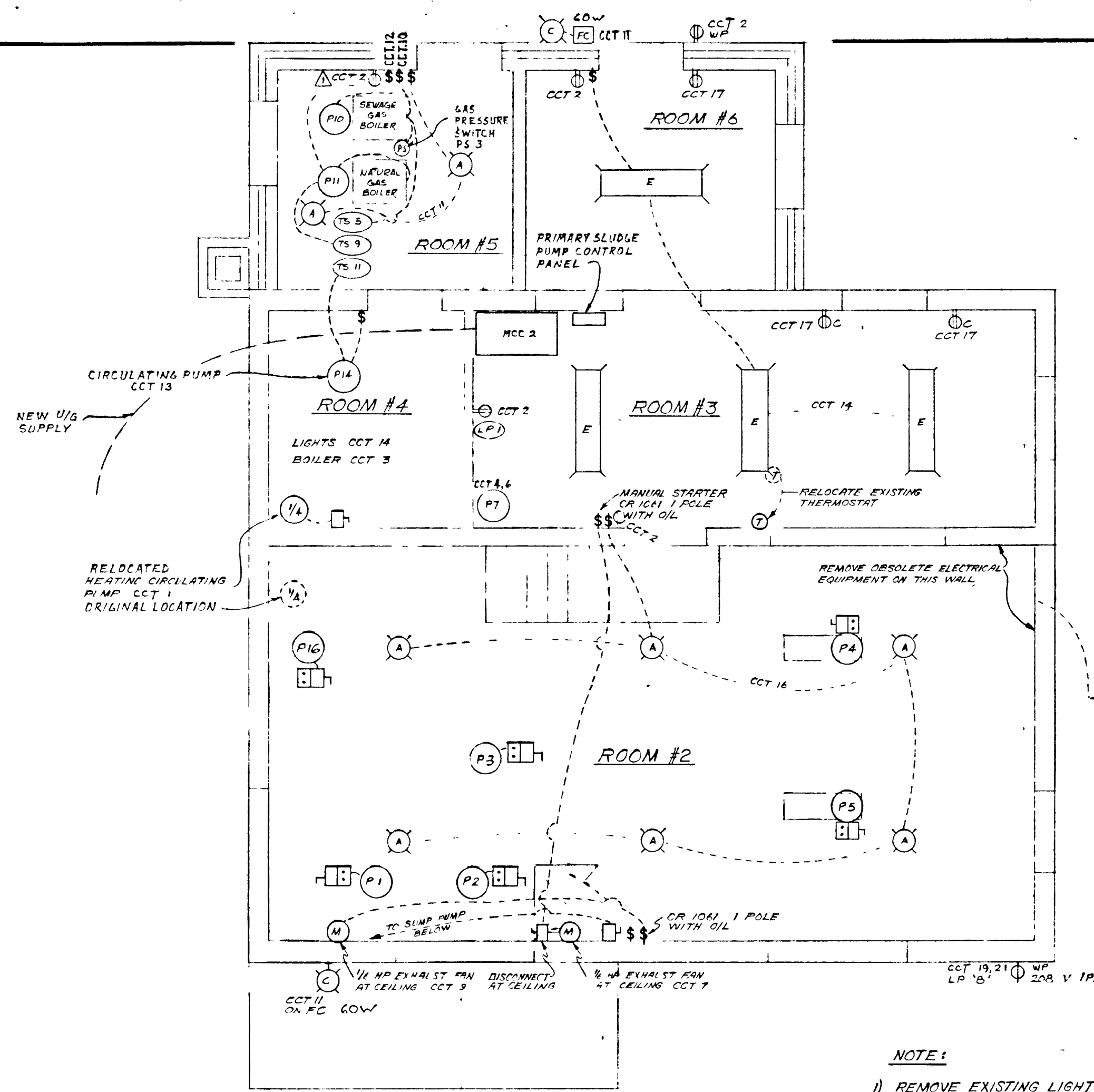


PARSHALL FLUME TRANSMITTER & CHEMICAL PUMP CONTROL WIRING DIAGRAM
THE CHEMICAL FEED PUMPS ARE CURRENTLY PULSED BY THE OUTPUT RELAY IN THE EXISTING FLOW RECORDER. UNDER THIS CONTRACT CHANGE THE CONTROL CONTACTS TO THE OUTPUT RELAY SUPPLIED WITH THE NEW FLOW TRANSMITTER.

TOWN OF NAPANEE
WATER POLLUTION CONTROL PLANT - STAGE 2 CONTRACT
EXISTING CONTROL BUILDING - ELECTRICAL

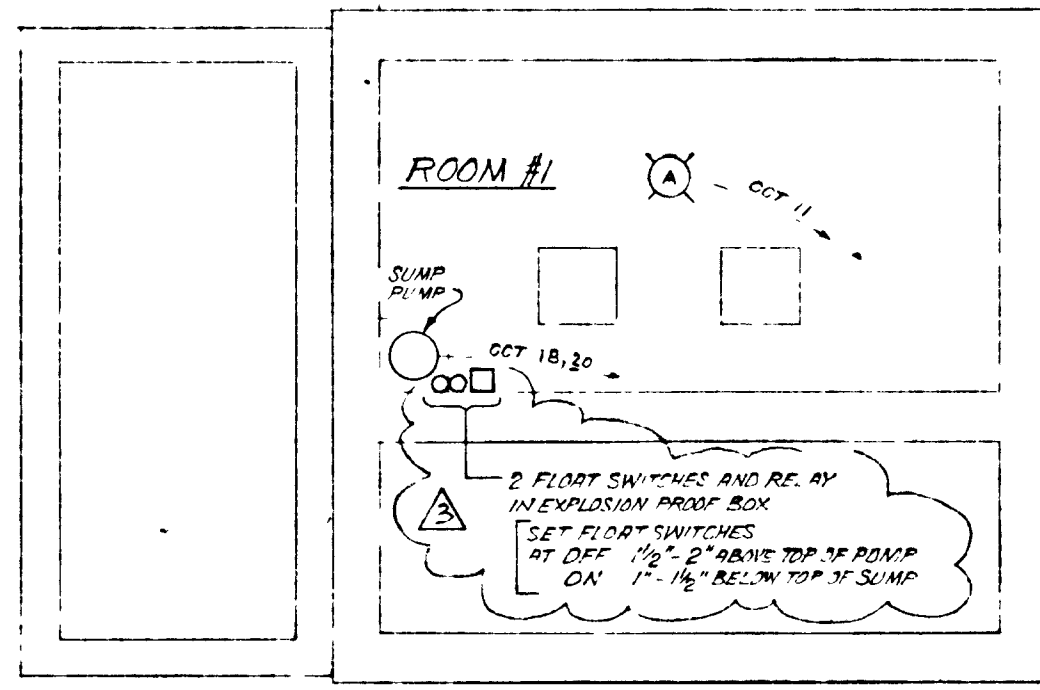
J. D. LEE ENGINEERING LIMITED
CONSULTING ENGINEERS - KINGSTON BRANTFORD, ONT.

3. MAR/83	AS-BUILT	M.S.	SCALE AS SHOWN	JOB NO 1314	DATE 30 MAR 78
28 JUN 78	General	J. L.	DNW	DWG NO 1209C	SHEET EI
DATE	REVISION	CHK	QUANT		REVISION 3



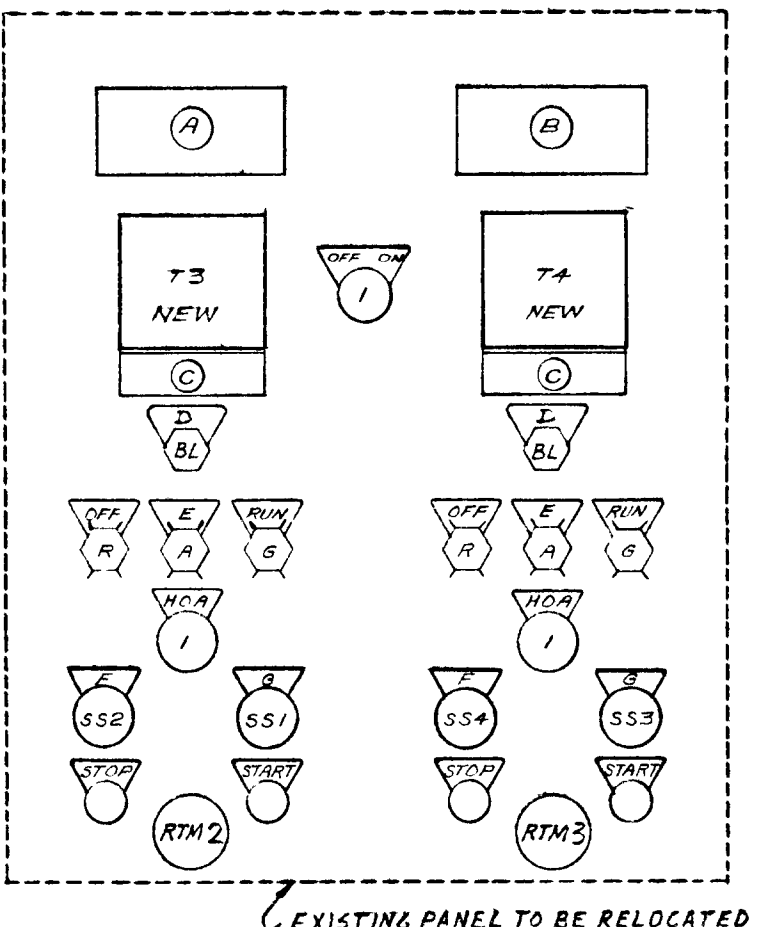
PLAN
SCALE 1/4" = 1'-0"

- NOTE:**
- 1) REMOVE EXISTING LIGHTING FIXTURES & CONDUIT IN ROOMS #1, 2 & 3. USE NEW CONDUIT WHEN REWIRING.
 - 2) ALL EQUIPMENT TO BE EXPLOSION PROOF IN ROOM #2
 - 3) CONNECT ROOM #4 EQUIPMENT TO PANEL 'B' BUT DO NOT REWIRE ROOM #4
 - 4) ALL CONDUIT TO BE SEALED WHERE IT ENTERS ROOM 2



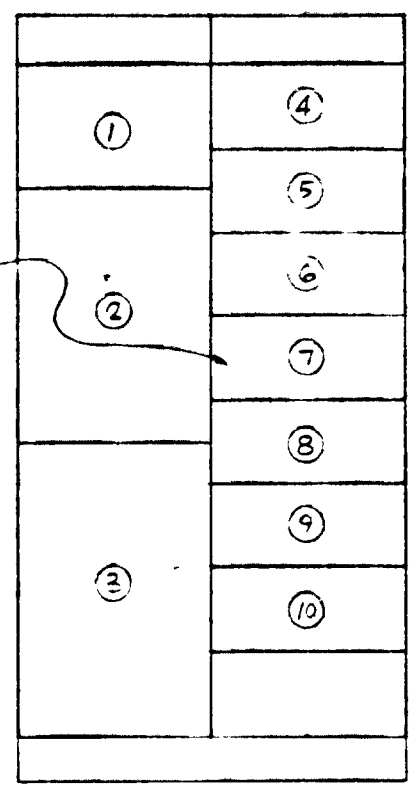
PUMP WELL
SCALE 1/4" = 1'-0"

- LAMACOID NAME PLATE WORDING**
- A SLUDGE PUMP P4
 - B SLUDGE PUMP P5
 - C PUMP TIMER
 - D HIGH TORQUE
 - E OVERLOAD
 - F MASTER TIMER PUMPING CYCLE OFF - #1 - #2
 - G TORQUE CYCLE PUMPING RATE OFF - LOW - MED - HIGH



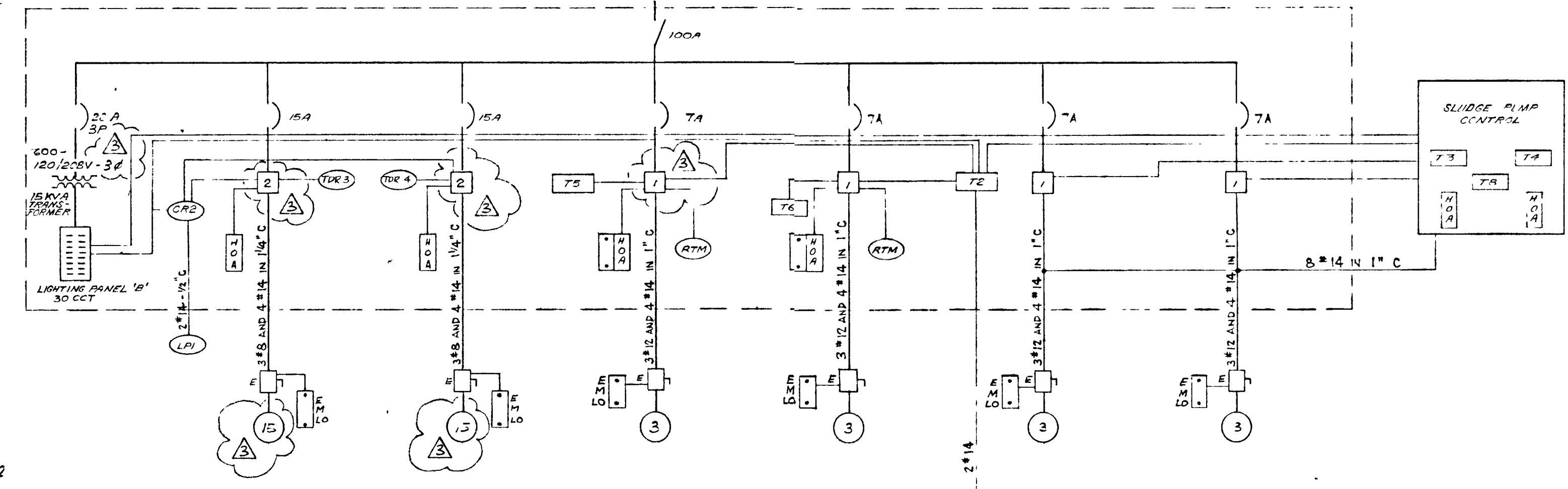
PRIMARY SLUDGE PUMPS CONTROL PANEL

- NOTE:**
- 1) MOUNT TIMERS T5 & T6 IN DOOR AND T3 ON RACK OF DOOR
 - 2) EACH MOTOR STARTER CUBICLE TO HAVE A GREEN RUN LIGHT, A RED OFF LIGHT AND AN AMBER ALARM LIGHT INDICATING MOTOR OVERLOAD. THESE LIGHTS TO BE DOOR MOUNTED, EXCEPT



MOTOR CONTROL CENTRE 2

- WORDING FOR LAMACOID NAME PLATES**
- ② LIGHTING PANEL B
 - ④ SECONDARY SLUDGE RECYCLE PUMP P1
 - ⑤ SECONDARY SLUDGE RECYCLE PUMP P2
 - ① MAIN DISCONNECT 100A
 - ⑥ PRIMARY SLUDGE TRANSFER PUMP P4
 - ⑦ PRIMARY SLUDGE TRANSFER PUMP P5
 - ⑧ MASTER TIMER (INSIDE)
 - ⑨ CYCLE TIMER P3
 - ⑩ THICKENER SLUDGE TRANSFER PUMP P3
 - ③ THICKENER SLUDGE TRANSFER PUMP PIG
 - ② TRANSFORMER BREAKER & 15 KVA TRANSFORMER

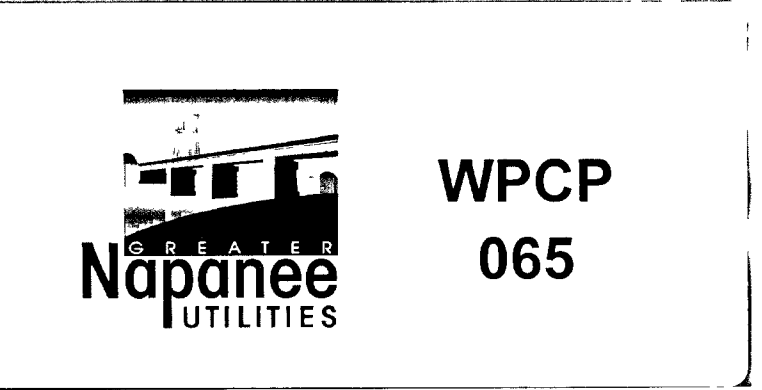
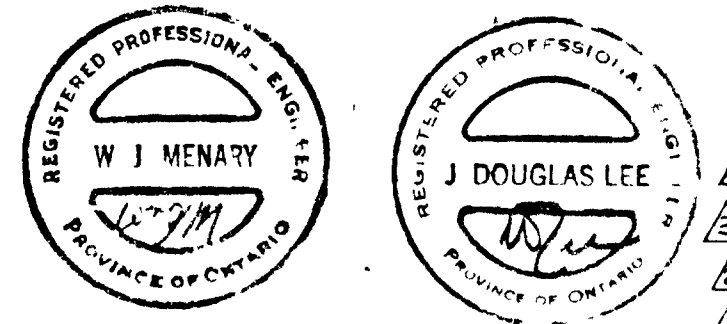


SINGLE LINE DIAGRAM (MCC 2)

LIGHTING PANEL 'B'

L1	L2	L3	CIRCUIT DESIGNATION	L1	L2	L3	CIRCUIT DESIGNATION	L1	L2	L3	
700	700		HOT WATER BUILDING CIRCULATOR 1/4 HP BOILER	15A	15A		RECEPTABLES	500			
				15A	15A		AIR COMPRESSOR 1/2 HP P7		350	350	
400	400		ROOM #2 EXHAUST FAN 1/4 HP DRY WELL FAN 1/4 HP	15A	15A		TIMER T2 + RELAY CR.2	50			
				15A	15A		SEWAGE GAS BOILER, PUMP P10		500		
500	500	1200	LIGHTS - ROOM #1, 5, EXTERIOR	15A	15A		NATURAL GAS BOILER, PUMP P11	600		500	
				15A	15A		LIGHTS - ROOM #3, 4, 6.		1200		
			HOT WATER CIRCULATOR P14	15A	15A		LIGHTS - ROOM #2				
				15A	15A		SUMP PUMP 1/3 HP				
200	200	300	RECEPTABLES	15A	15A			350		350	
				15A	15A						
			RECEPTABLE 208 V WITH GFI	15A	15A						
1800	1350	1500	TOTAL					TOTAL	1500	2050	1200

THIS DRAWING IS APPROVED FOR CONSTRUCTION PURPOSES
By: [Signature] Date: 28.3.78 Job No. 1314
J. D. LEE ENGINEERING LIMITED



GREATER NAPANEE WATER SUPPLY & POLLUTION CONTROL BOARD
75 EAST STREET, NAPANEE, ONTARIO K7R 1S8 (613) 354-9338 FAX (613) 354-2838

PROJECT: 1314 SLUDGE PUMP BUILDING-ELECTRICAL
STAGE 2
SEWAGE TREATMENT PLANT

APPROVED BY: [Signature] SPECIFICATIONS: [Signature]

DESIGNED BY: [Signature] DATE: MAR. 1978 SCALE: AS SHOWN

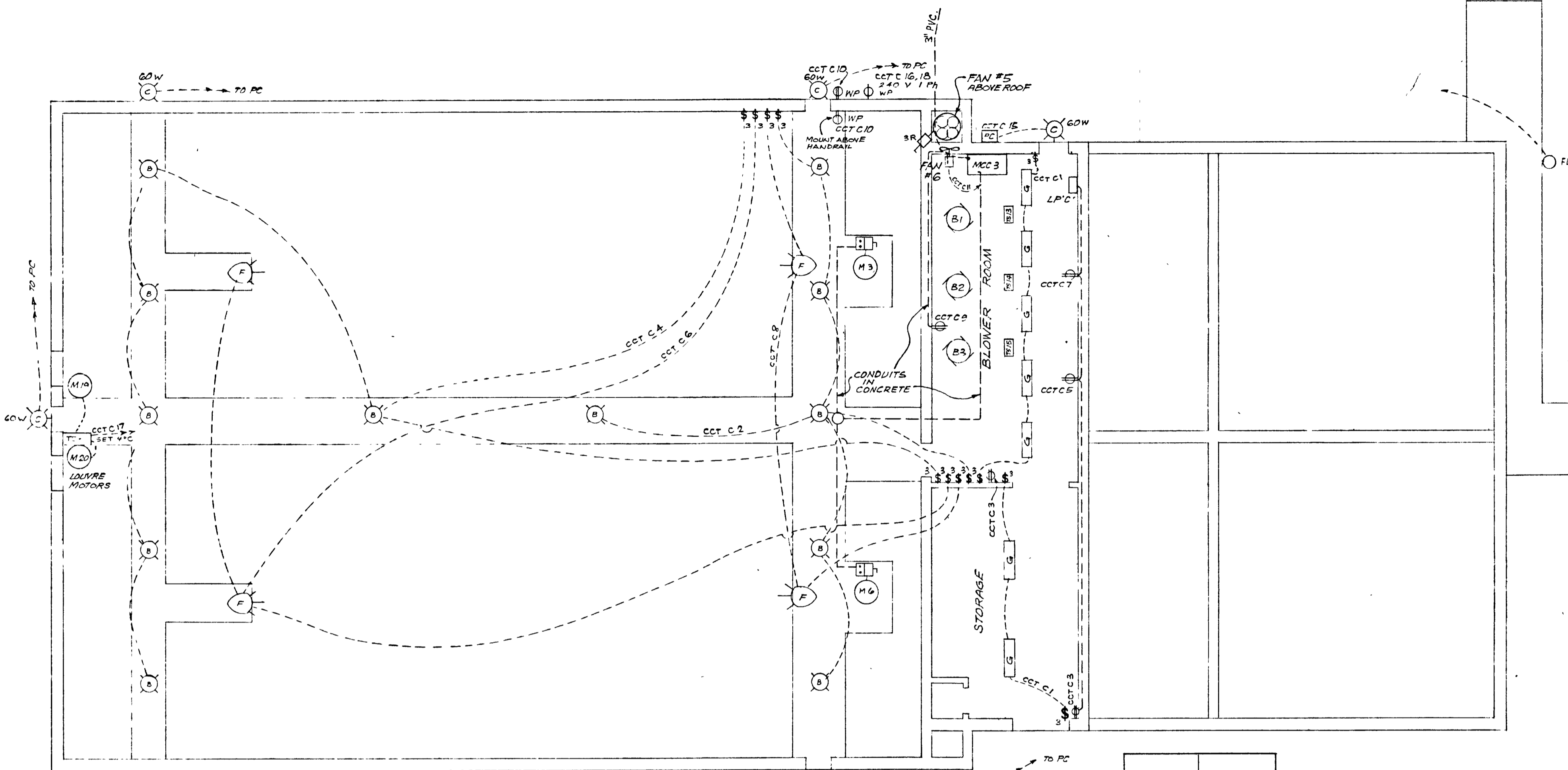
DRAWN BY: [Signature] DWG NO: WPCP-1978/1-ELEC-NE 1314

TOWN OF NAPANEE
WATER POLLUTION CONTROL PLANT - STAGE 2 CONTRACT
SLUDGE PUMP BUILDING - ELECTRICAL

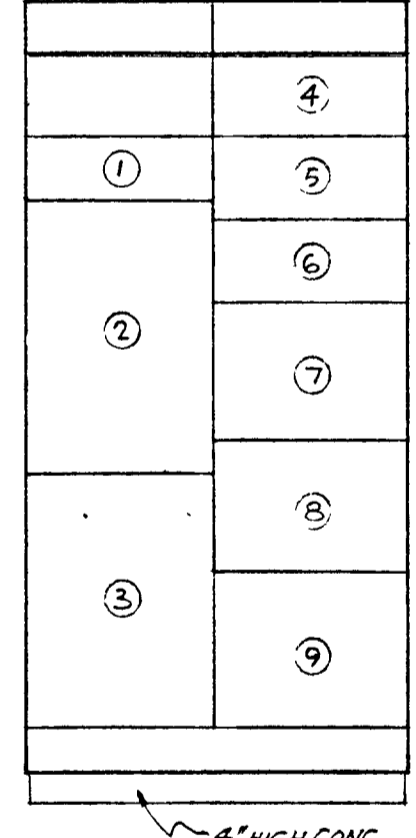
MAR 83	AS-BUILT	M.S.	J. D. LEE ENGINEERING LIMITED
81 08 05	CHANGE ORDER #1	M.S.	CONSULTING ENGINEERS - KINGSTON BRANTFORD, ONT.
81 06 12	General	ACU	SCALE AS SHOWN
26 JUN 78	General	T	JOB NO 1314
		DWN	DATE 30 MAR 78
		CHK	DWG NO 1209C
		QUANT	SHEET E2
			REVISION 4

ELECTRICAL SYMBOLS

SYMBOL	DESCRIPTION	SYMBOL	DESCRIPTION
	CIRCUIT BREAKER INDICATING AMPERE TRIP SETTING		CONTACTS - NORMALLY OPEN, NORMALLY CLOSED
	FUSE (SIZE TO SUIT)		INDICATING CONTROL DEVICE OR OVERLOAD
	MAGNETIC MOTOR STARTER INDICATING SIZE		GROUND
	TRANSFORMER IN MOTOR STARTER		EQUIPMENT DESIGNATIONS FOR SIMILAR CONTROL CIRCUITS WHEN CIRCUIT REFERS TO MORE THAN ONE MOTOR CONTROL
	DISCONNECT SWITCH		SWITCH SINGLE POLE, DOUBLE POLE 3-WAY, 4-WAY KEY OPERATED
	MOTOR INDICATING HORSEPOWER		PHOTO CELL
	HAND-OFF-AUTO SELECTOR SWITCH		FLUORESCENT LIGHT
	ON/OFF SWITCH AND START WITH MOMENTARY CONTACT		INCANDESCENT LIGHT
	START/STOP PUSHBUTTON STATION WITH MOMENTARY CONTACTS UNLESS INDICATED OTHERWISE		INCANDESCENT LIGHT - DIRECTIONAL
	STOP PUSHBUTTON WITH MAINTAINED CONTACT		RECEPTACLE (DUPLEX)
	PUSHBUTTON STATION WITH LOCKOUT FEATURE		RECEPTACLE - AT COUNTER HEIGHT (DUPLEX)
	EXPLOSION PROOF		RECEPTACLE (WEATHER PROOF) (DUPLEX)
	CEMA 4-5		SIMPLEX RECEPTACLE (WEATHER PROOF)
	TIMER		
	COLORLED INDICATOR LAMP A - AMBER G - GREEN R - RED B1 - BLUE		
	MOTOR NUMBER OR MOTOR STARTER NUMBER M - TIMER MOTOR		
	PUMP NUMBER OR PUMP MOTOR STARTER NUMBER		
	MISCELLANEOUS CONTROLS AND EQUIPMENT C - TIMER CAM LP - LOW PRESSURE CUTOUT CR - CONTROL RELAY HP - HIGH PRESSURE CUTOUT AR - ALARM RELAY PS - PRESSURE SWITCH TDR - TIME DELAY RELAY S - SOLENOID VALVE RTH - RUNNING TIME METER FS - FLOAT SWITCH TS - TEMPERATURE SWITCH HT - HIGH TEMP CUTOUT SS - SAIL SWITCH		
	MAIN DISCONNECT WITH RATING		
	ON/OFF SWITCH		
	PRESSURE SWITCH - OPENS ON RISING PRESSURE		
	PRESSURE SWITCH - CLOSSES ON RISING PRESSURE		
	TEMPERATURE SWITCH OPENS ON RISING TEMPERATURE		
	TEMPERATURE SWITCH CLOSSES ON RISING TEMPERATURE		
	FLOAT SWITCH - OPENS ON LOW LEVEL		
	START SWITCH WITH MOMENTARY CONTACT		
	STOP SWITCH WITH MOMENTARY CONTACT UNLESS INDICATED OTHERWISE (M AND LO)		
	HAND-OFF-AUTO SELECTOR SWITCH		



CLARIFIER BUILDING PLAN
SCALE - 1/8" = 1'-0"

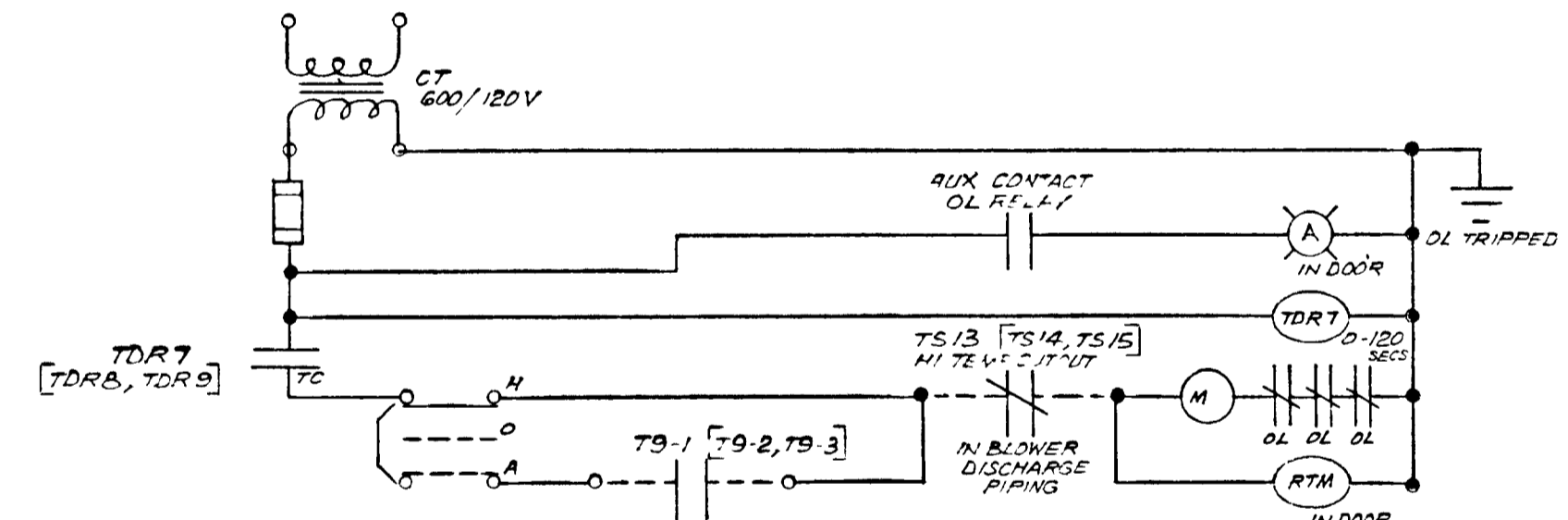


- WORDING FOR LAMACOID NAME PLATES
- ⑦ BLOWER B1
 - ⑥ BLOWER B2
 - ⑨ BLOWER B3
 - ③ MAIN BREAKER 200A
 - ④ SECONDARY CLARIFIER #1
 - ⑤ SLUDGE COLLECTOR DRIVE (M3)
 - ② SECONDARY CLARIFIER #2
 - ① SLUDGE COLLECTOR DRIVE (M6)
 - ⑧ BLOWER TIMER T9
 - ⑥ FAN #5
 - ② TRANSFORMER BREAKER & 15KVIA TRANSFORMER

MOTOR CONTROL CENTRE 3
MOUNT TIMER T9 ON INSIDE OF DOOR

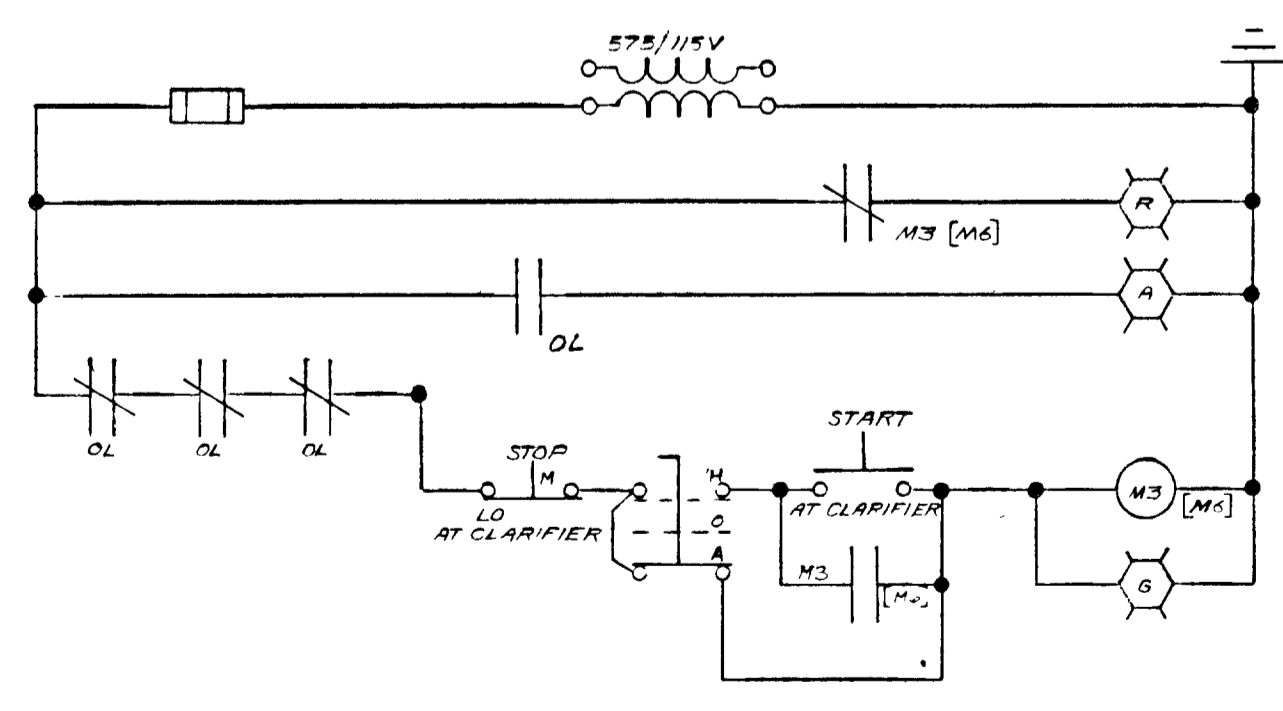
LIGHTING PANEL 'C'

L1	L2	L3	CIRCUIT DESIGNATION	L1	L2	L3	CIRCUIT DESIGNATION
700	200		LIGHTS - BLOWER & STORAGE	15A	1A	2	LIGHTS - CLARIFIER BUILDING
			RECEPTACLES	15A	3	4	" " "
			"	15A	5	6	" " "
100	100		"	15A	7	8	" " "
			FAN #6 (1/4 HP)	15A	9	10	RECEPTACLES
			OUTDOOR LIGHT POLE MOUNTED	15A	11	12	TIMER T9
100	300		OUTDOOR LIGHTS (ON BLDG)	15A	13	14	SPARE
			MOTORIZED LDLYRES	15A	15	16	RECEPTACLE 208V 2 POLE GFI CB
				15A	17	18	
				19	20		
				21	22		
				23	24		
				25	26		
				27	28		
				29	30		
900	600	900	SUBTOTAL				SUBTOTAL 2200 2400 2050



BLOWERS B1, B2, B3

NOTE SET TDR7 FOR 21 SECS
SET TDR8 FOR 20 "
SET TDR9 FOR 40 "
NOTE SETTING OF CONTACTS T9-1, T9-2 & T9-3 TO BE DETERMINED AT START UP



CLARIFIER MECHANISMS M3, M6

NOTE THE AUX CONTACT ON THE OVERLOAD RELAY MAY BE USED INSTEAD OF AR14 THIS APPLIES TO ALL CONTROL CIRCUITS

GREATER NAPANEE WATER SUPPLY & POLLUTION CONTROL BOARD
75 EAST STREET, NAPANEE, ONTARIO N7R 1S9
(813) 344-9388 FAX (813) 354-8388

PROJECT 1314 CLARIFIER BUILDING - ELECTRICAL
STAGE 2
SEWAGE TREATMENT PLANT

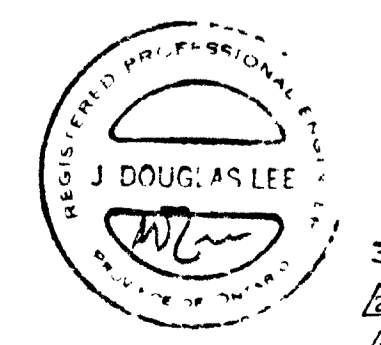
APPROVED BY: [Signature]
DESIGNED BY: [Signature]
DRAWN BY: [Signature]

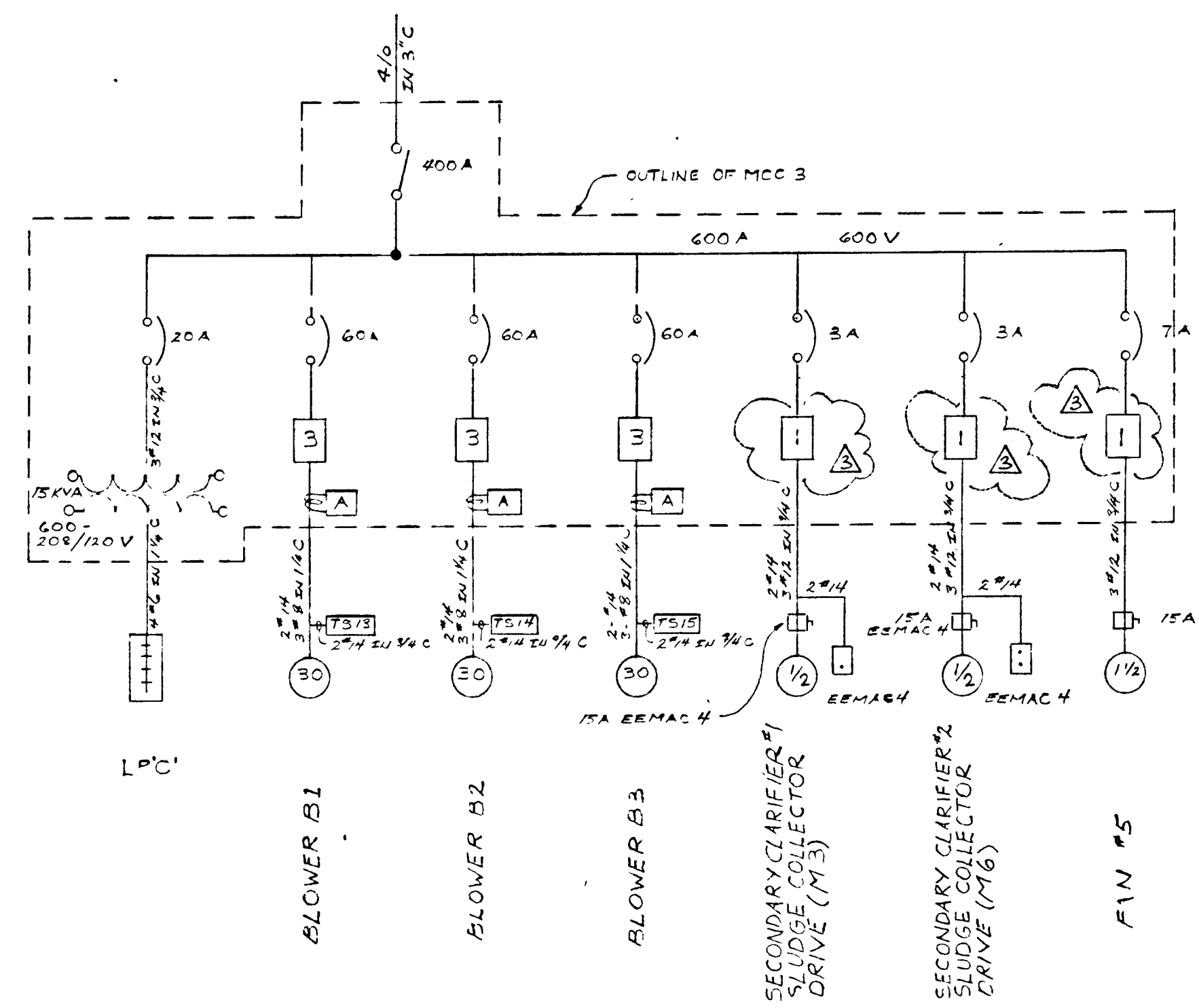
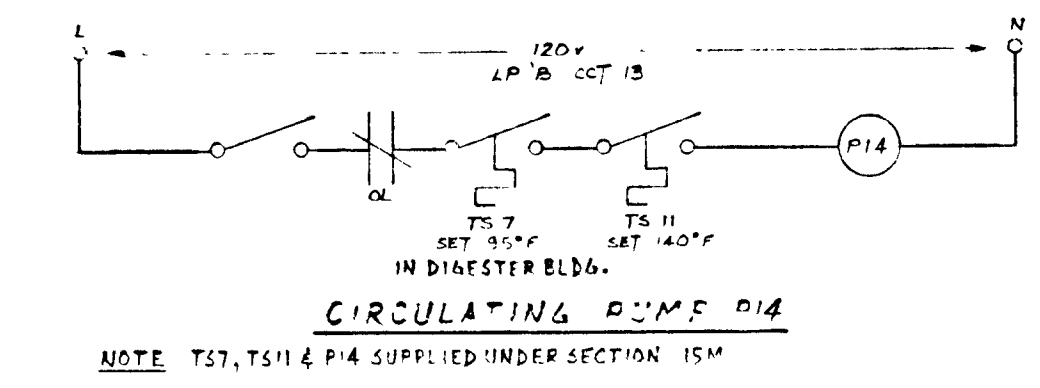
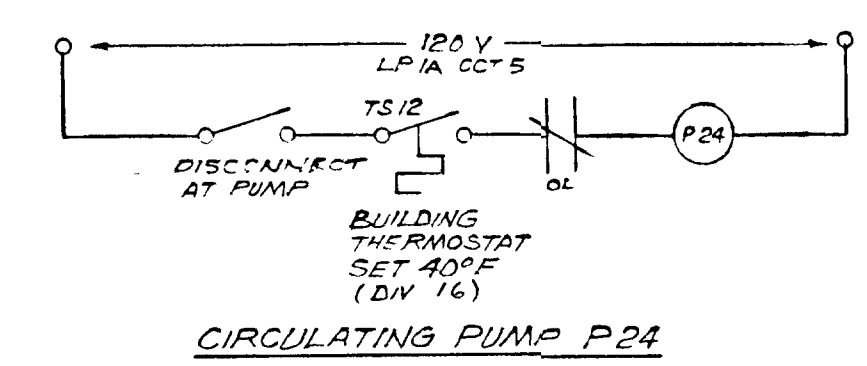
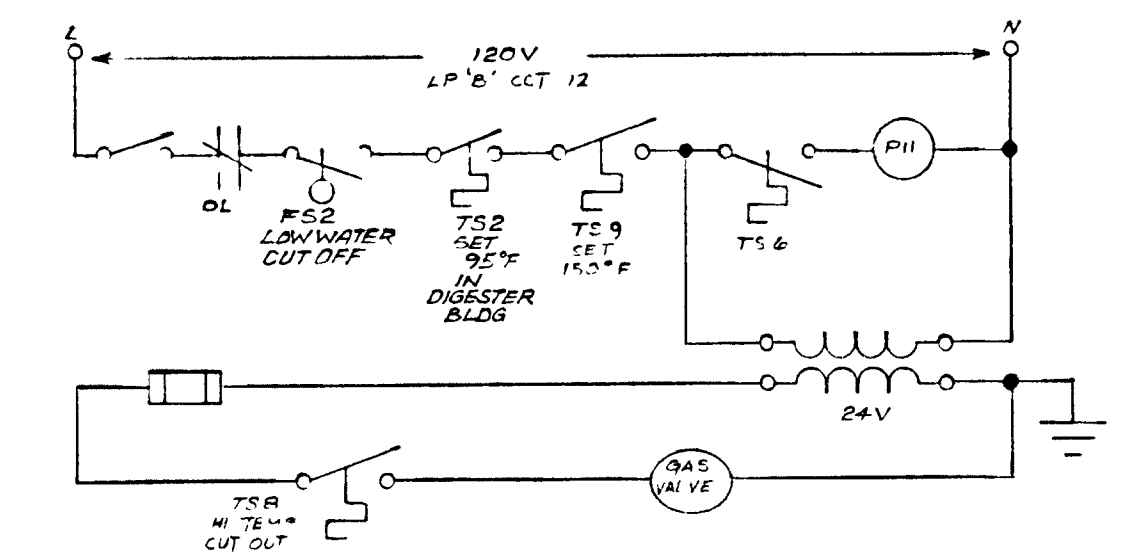
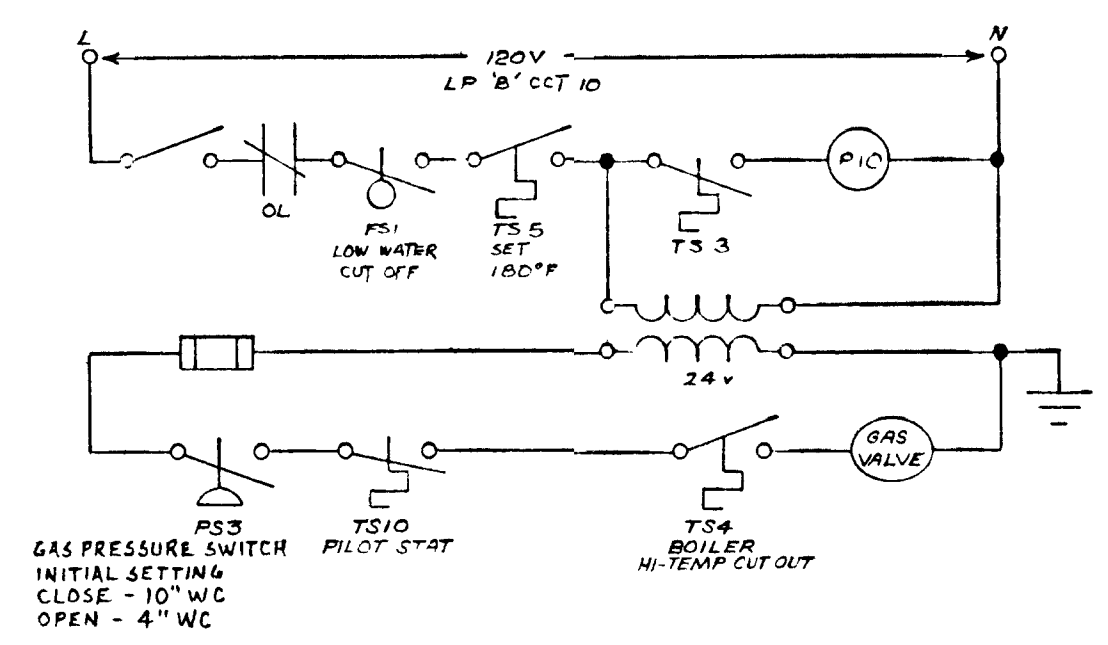
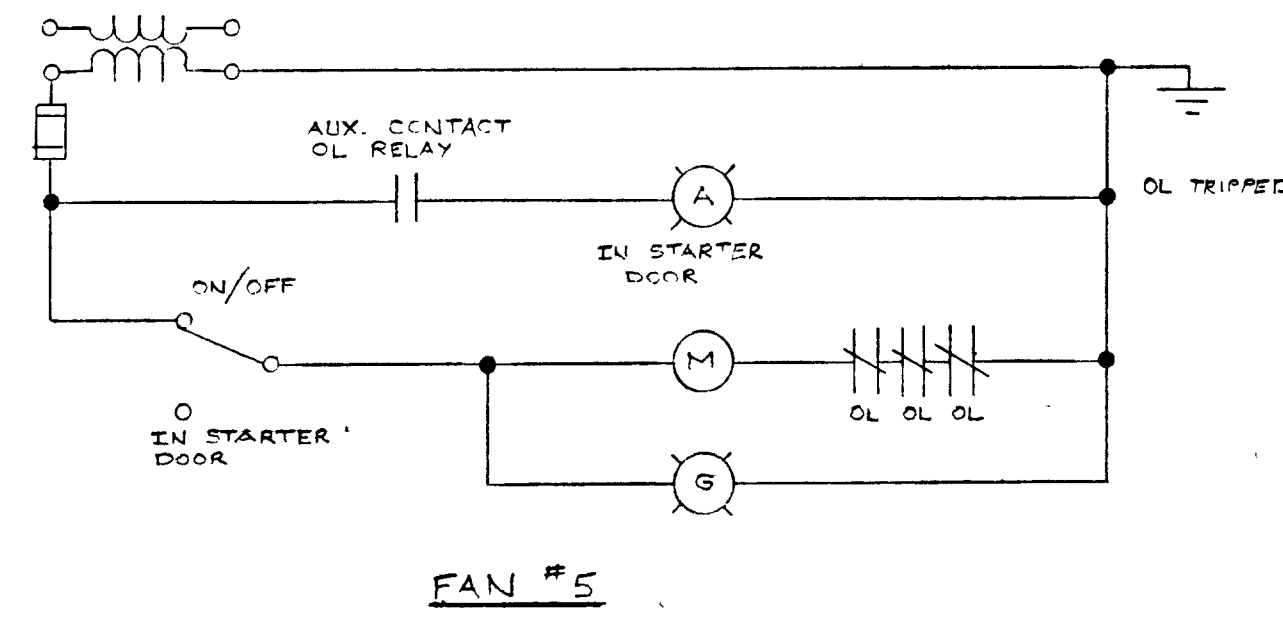
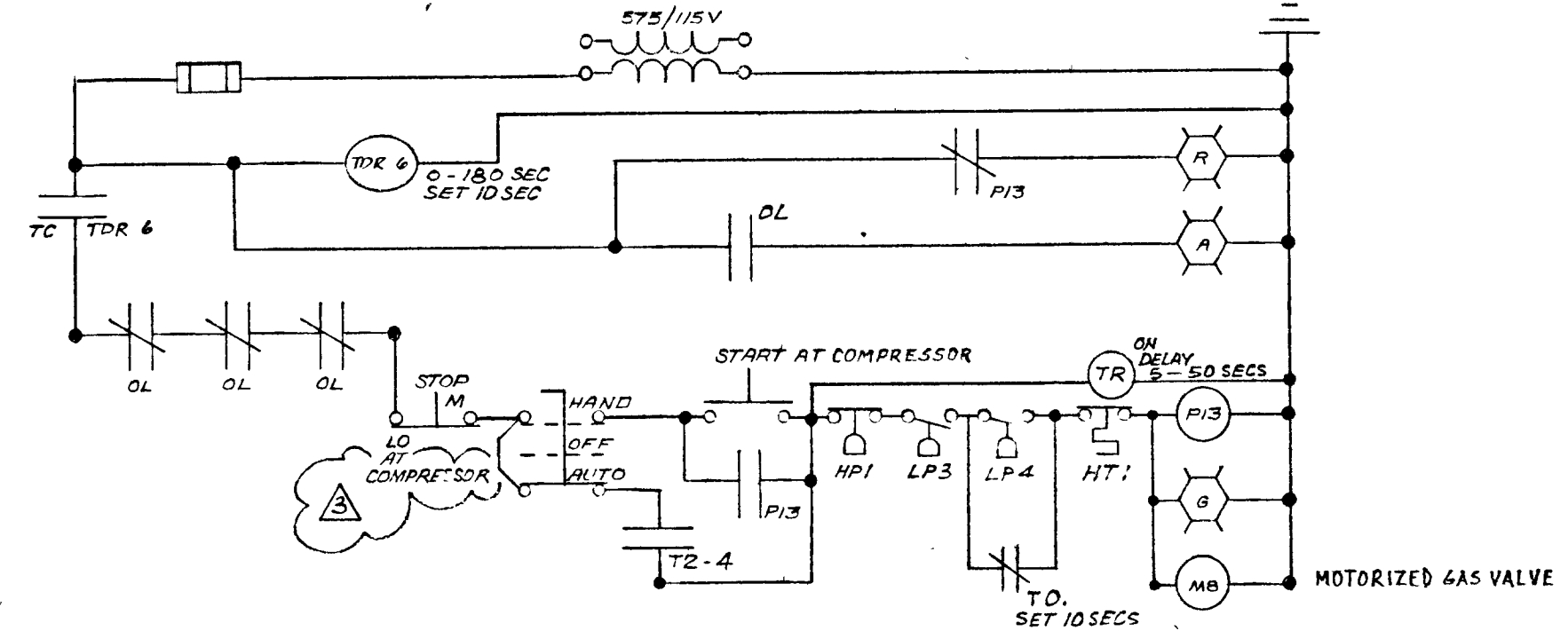
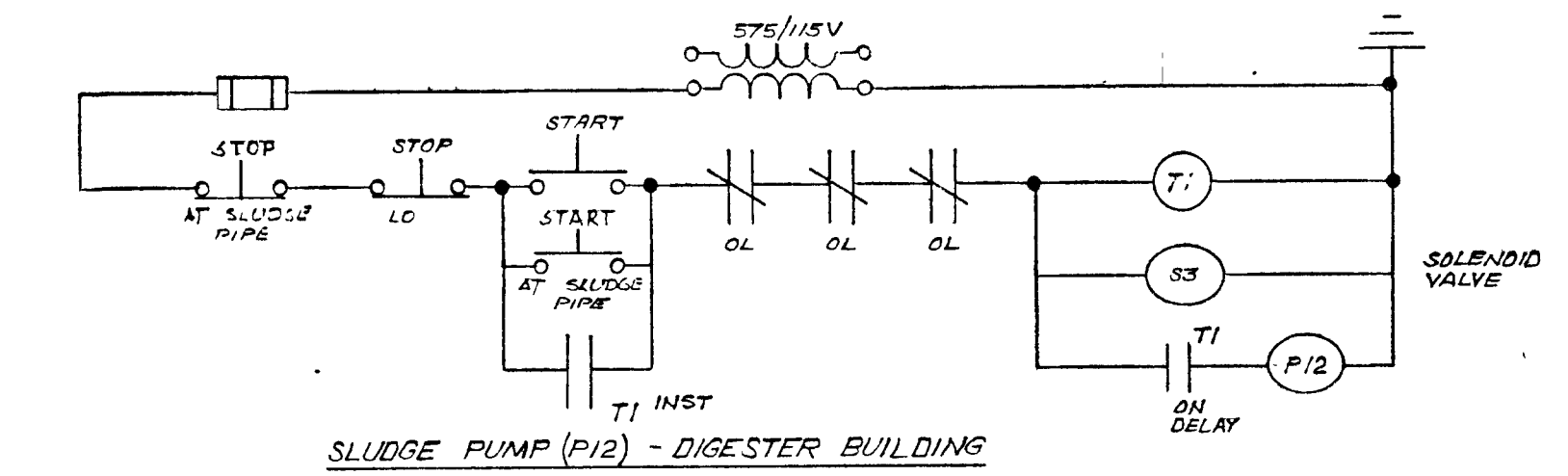
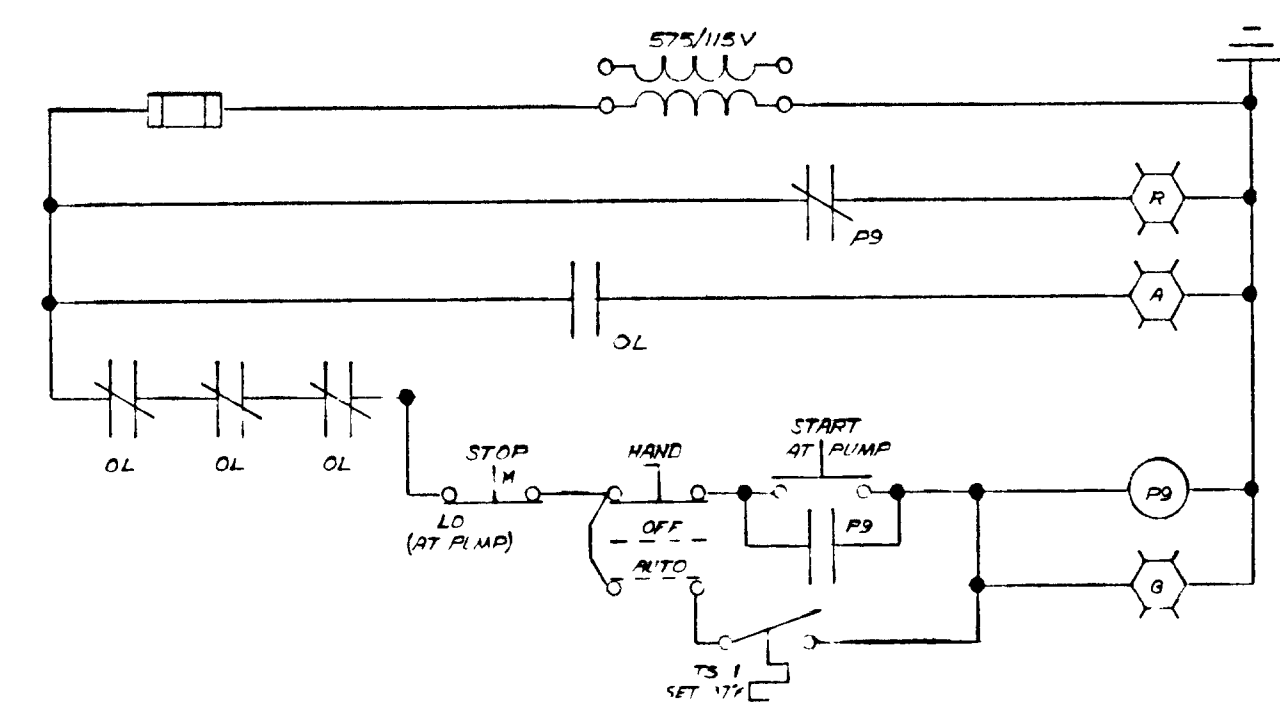
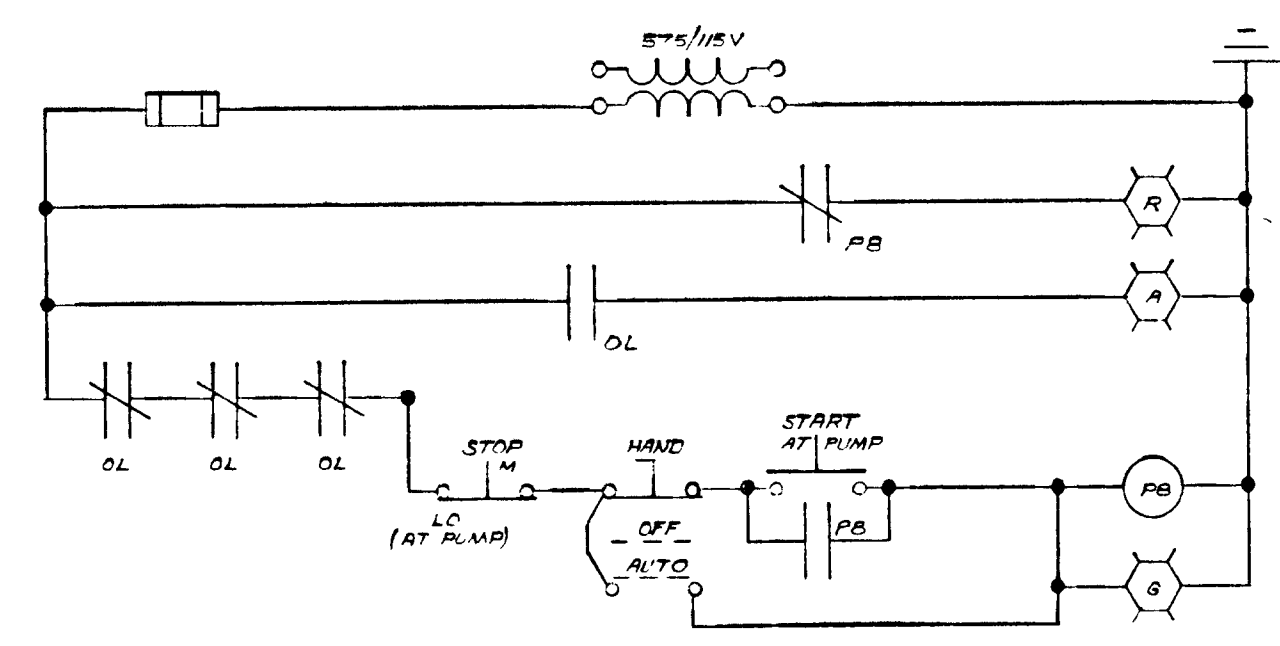
DATE: MAR 1978 SCALE: AS SHOWN
DWG NO: W.P. 1314-1978-1 E.E.C. 19/1/73

WPCP 066
Napanee UTILITIES

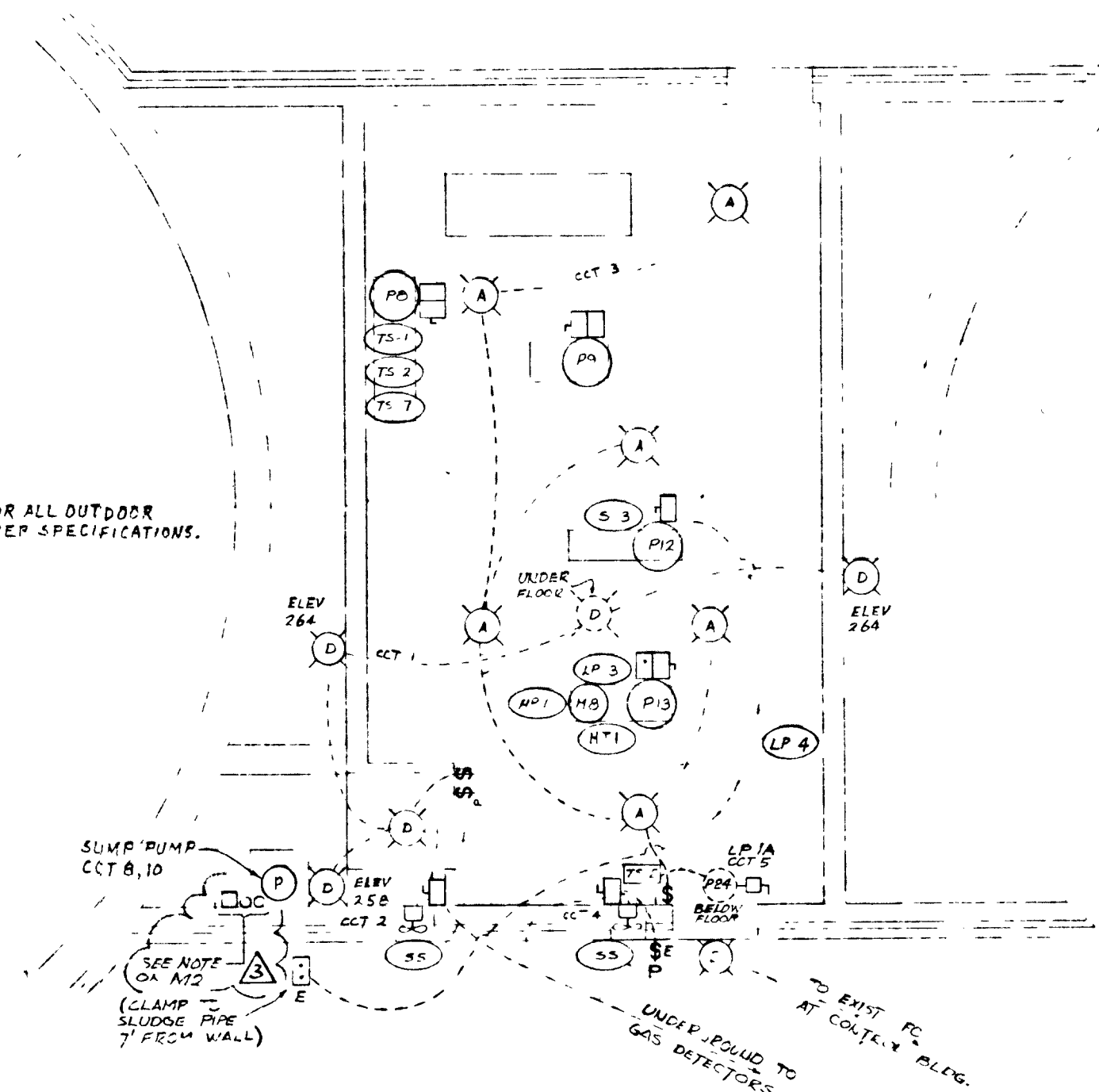
THIS DRAWING IS APPROVED FOR CONSTRUCTION PURPOSES
By J. Lee, Date 28.20.78 No 1314
J. & S. LEE ENGINEERS LIMITED

TOWN OF NAPANEE					
WATER POLLUTION CONTROL PLANT - STAGE 2 CONTRACT					
CLARIFIER BUILDING - ELECTRICAL					
J D LEE ENGINEERING LIMITED					
CONSULTING ENGINEERS - KINGSTON BRANTFORD ONT.					
3	MAR/83	A.S.-BUILT	M.S.	SCALE	JOB NO
1	26 JUN 78	General	WJL	AS SHOWN	1314
1	26 JUN 78	General	DWN	DWG NO	1209C
DATE	REVISION	CHK	QUANT	SHEET	REVISION
				E3	3





PROVIDE ELECTRICAL HEATING FOR ALL OUTDOOR GAS PIPING AND EQUIPMENT AS PER SPECIFICATIONS. SEE SHEET M4 FOR LOCATION.

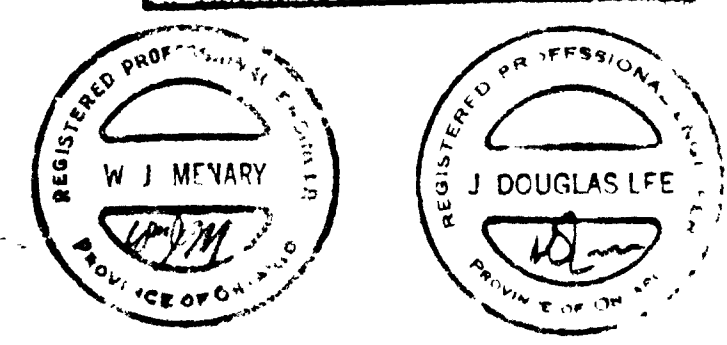


TIMER OPERATION:
TIMERS T3, T4, T5, T6
 1) APPLICATION OF VOLTAGE TO 1-2 RESETS TIMER CONTACTS 4-5 CLOSE, 4-3 OPEN, 6-5 CLOSE, 6-7 OPEN
 2) REMOVAL OF VOLTAGE TO 1-2 BEGINS TIMED PERIOD 6-5 OPEN, 6-7 CLOSE
 3) AT END OF TIMED PERIOD CONTACTS 4-5 OPEN, 4-3 CLOSE

TIMER T2
 TIMER MAKES ONE REVOLUTION EVERY 24 HRS OPENING AND CLOSING 6 INDEPENDENT CONTACTS EACH CONTACT IS INDEPENDENTLY PROGRAMMABLE IN 15 MIN INCREMENTS

TIMER T8
 TIMER MAKES ONE REVOLUTION EVERY HOUR OPENING AND CLOSING 10 INDEPENDENT CONTACTS EACH CONTACT IS INDEPENDENTLY PROGRAMMABLE BY MEANS OF REMOVABLE PEGS.

THIS DRAWING IS APPROVED FOR CONSTRUCTION PURPOSES
 By: [Signature] Date: 02.20.81 Job No: 1214
J. D. LEE ENGINEERING LIMITED

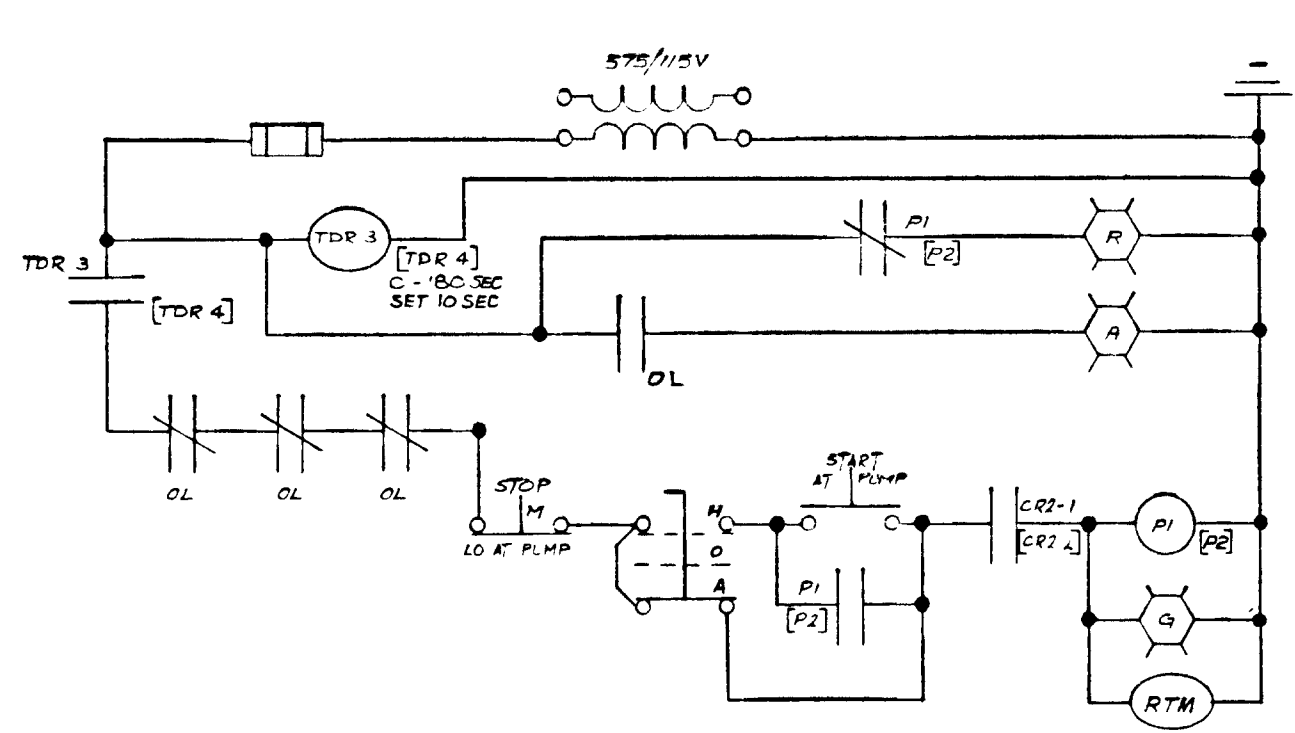


WPCP 067

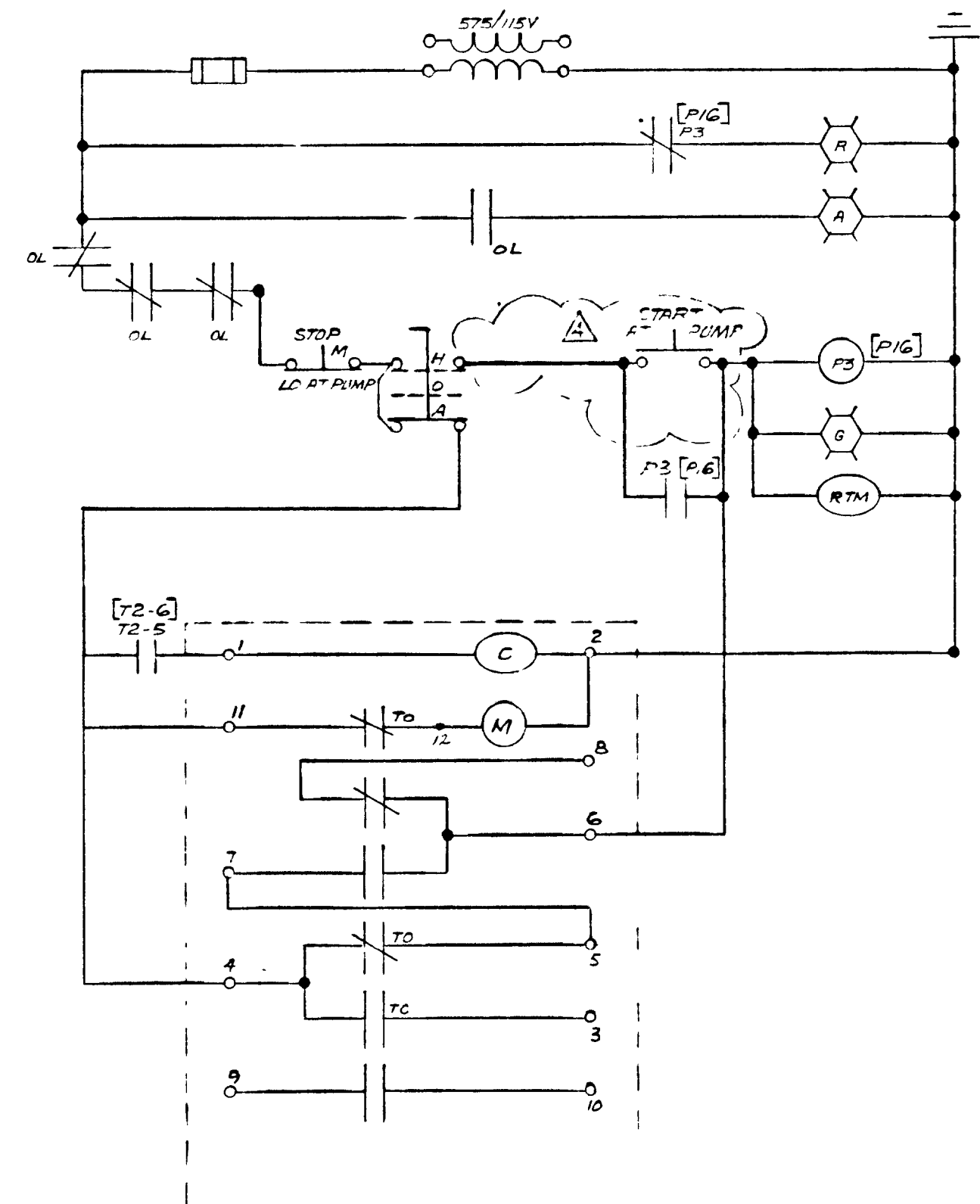
GREATER NAPANEE WATER SUPPLY & POLLUTION CONTROL BOARD 75 EAST STREET, NAPANEE, ONTARIO K7R 1S9 (819) 964-8208 FAX (819) 964-8208	
PROJECT 1314	DIGESTER BUILDING - ELECTRICAL CONTROLS
APPROVED BY	DESIGNED BY
DATE MAR 1978	DWG NO WPCP-1778A-ELEC-11204-3
SCALE AS SHOWN	

- NOTES: 1 ALL EQUIPMENT IN OR ON THE DIGESTER BUILDING MUST BE EXPLOSION PROOF AND APPROVED FOR CLASS I, GROUP D, DIVISION 2
 2 SUPPLY EXPLOSION PROOF MOUNTING BOXES WHERE THE UNDERGROUND DUCTS ENTER THE BUILDING
 3 METHANE GAS SENSORS NOT SHOWN IN DIGESTER BUILDING LOCATION TO BE DETERMINED BY TEST

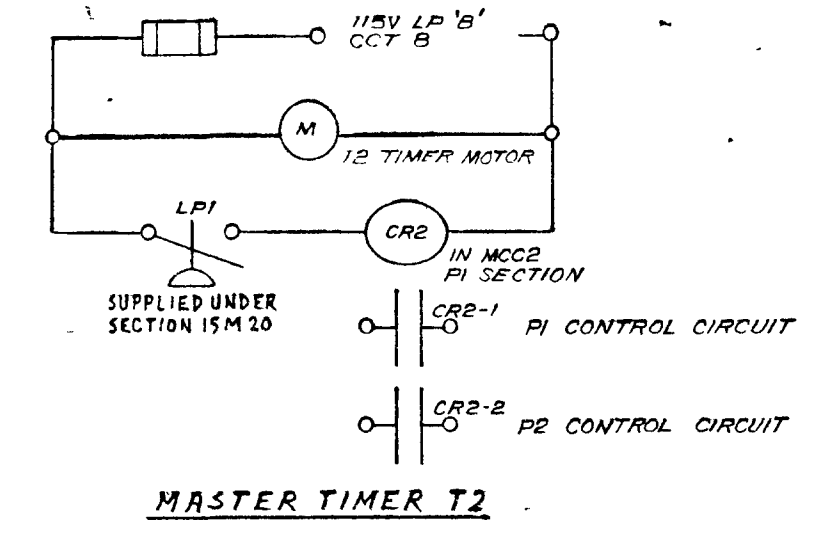
TOWN OF NAPANEE		WATER POLLUTION CONTROL PLANT - STAGE 2 CONTRACT	
ELECTRICAL CONTROLS - DIGESTER BUILDING			
MAR/83	AS-BUILT	M.S.	J. D. LEE ENGINEERING LIMITED
81.08.05	CHANGE ORDER #1	M.S.	CONSULTING ENGINEERS - KINGSTON BRANTFORD, ONT.
81.06.12	General	AL	SCALE AS SHOWN
26 JUN 78	General	T	JOB NO 1314
DATE	REVISION	CHK	QUANT



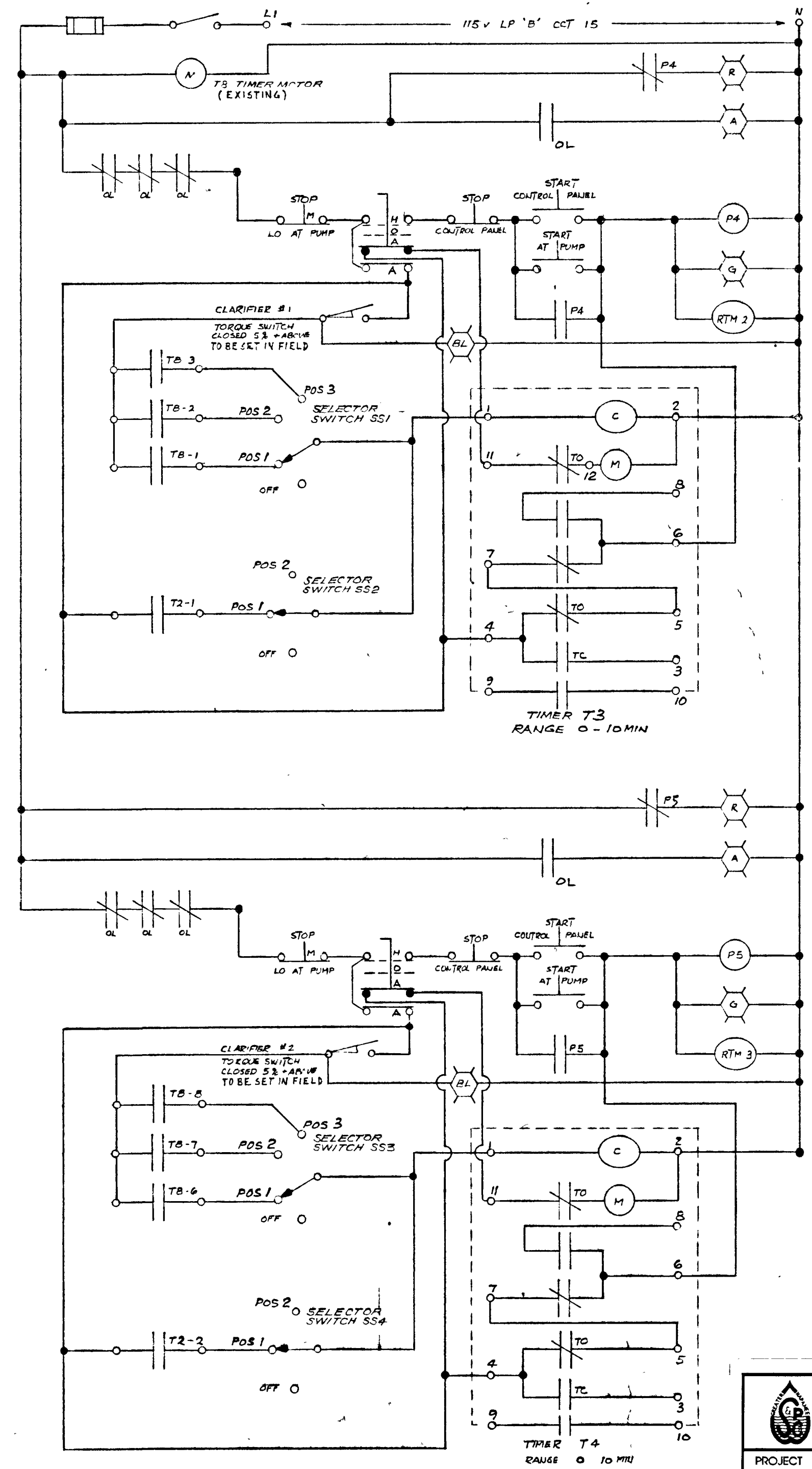
SECONDARY SLUDGE RECYCLE PUMPS P1 & P2



THICKENER SLUDGE TRANSFER PUMPS P3 & P6



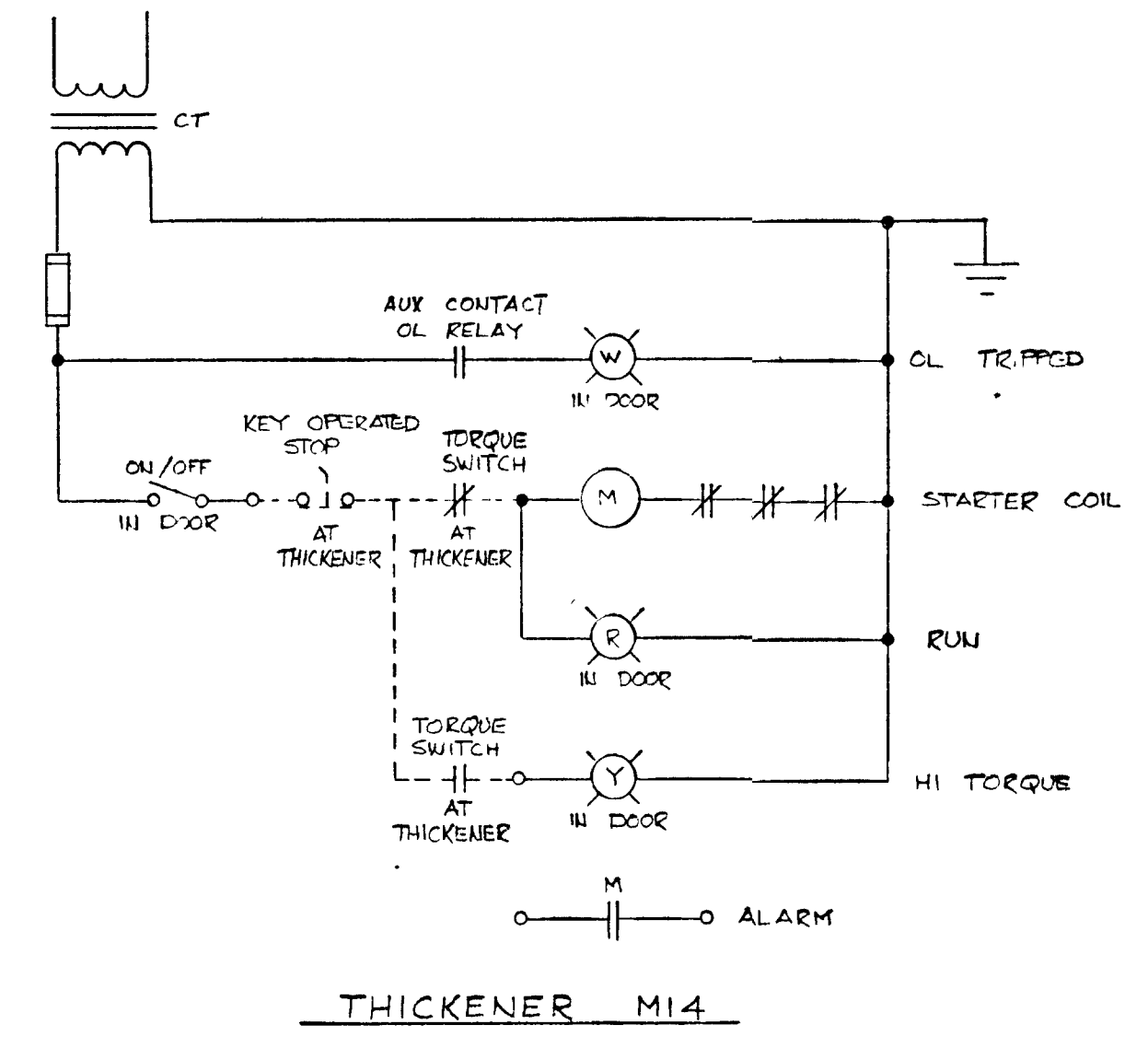
MASTER TIMER T2



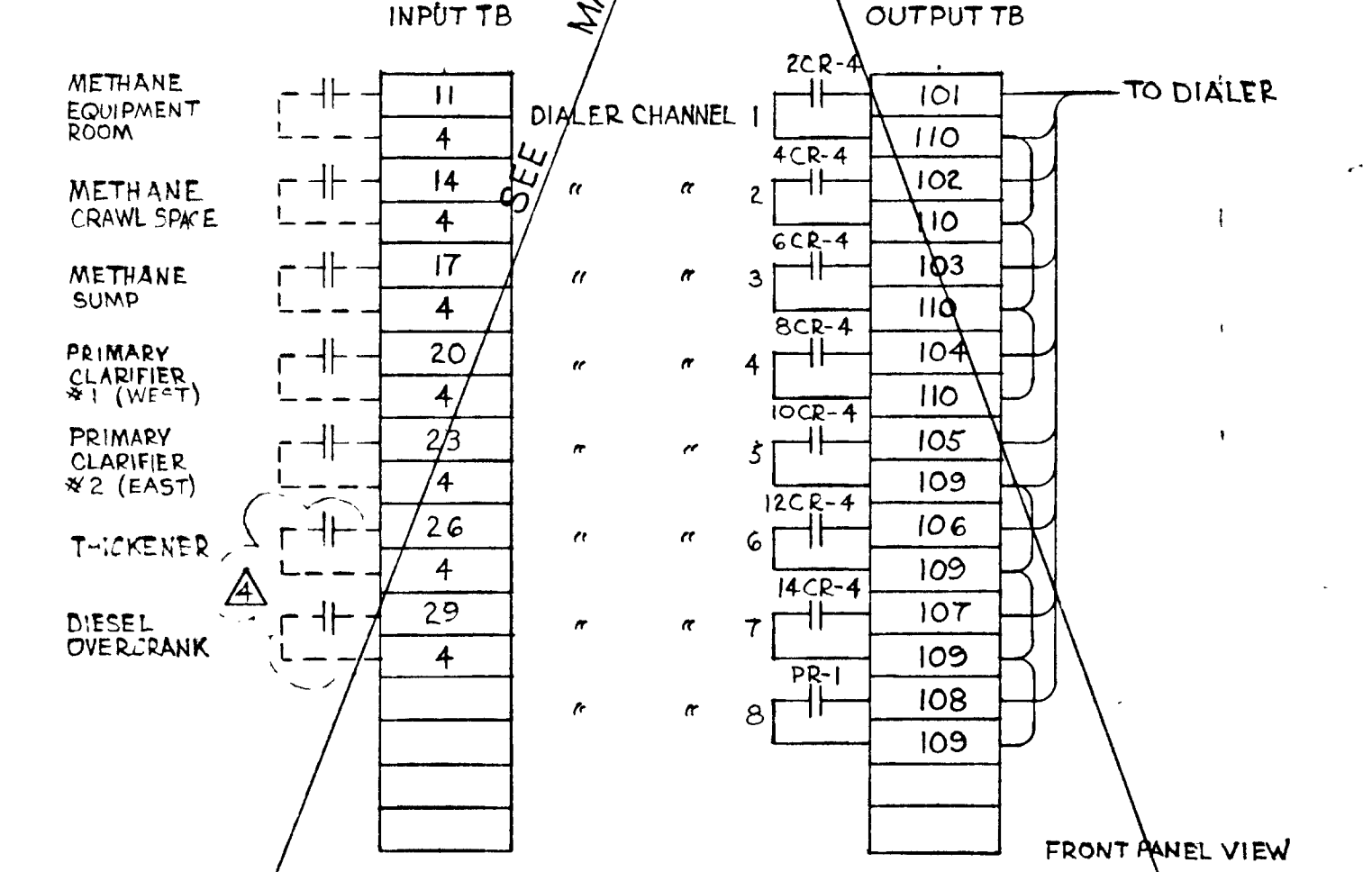
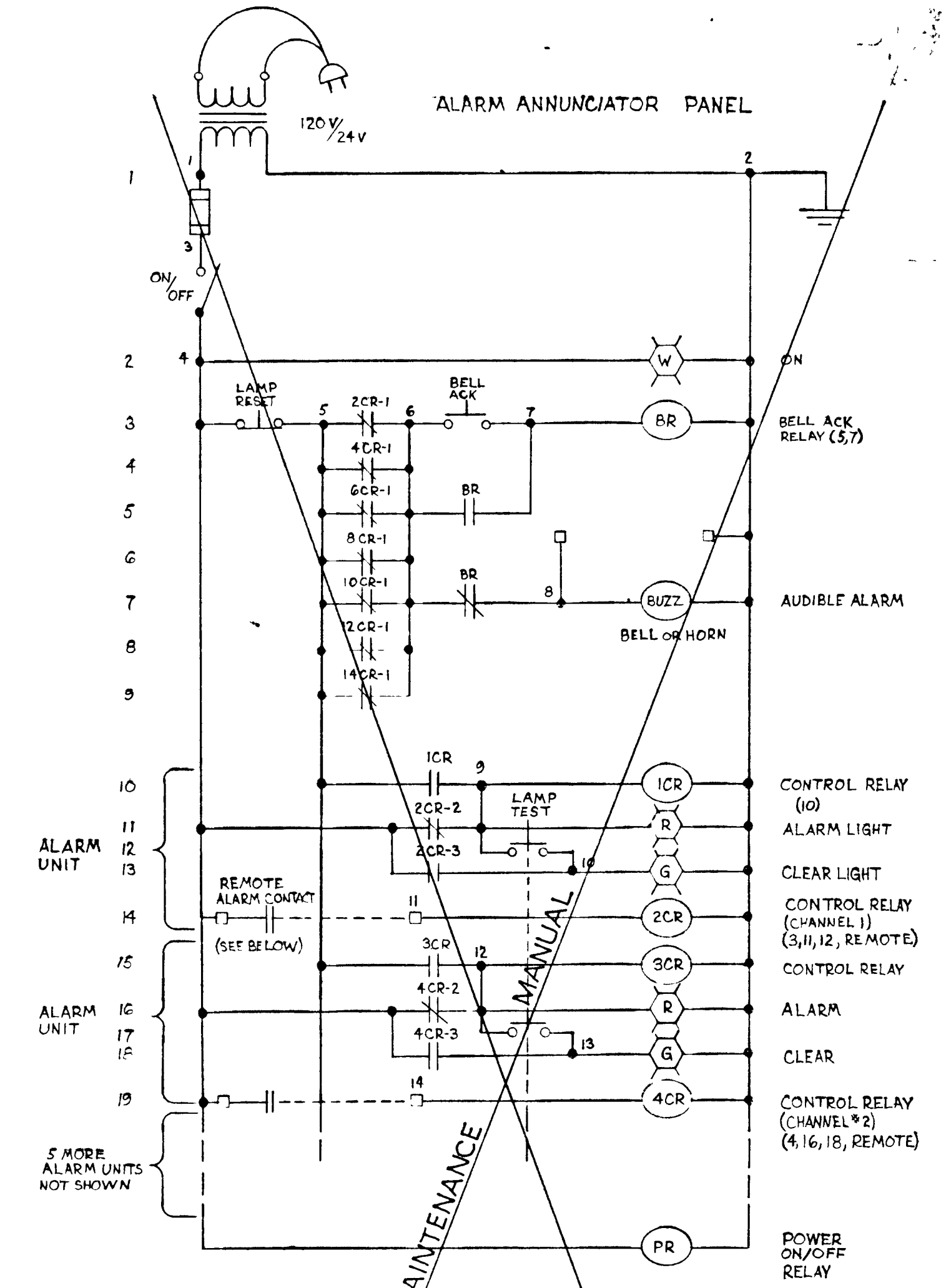
SLUDGE PUMPS P4 & P5

CONTACT	NO. OF PINS	PIN SETTING AS % OF DIAL
1	2	0 50
2	4	0 17 50 67
3	4	0 17 33 50 67 83
4		
5		
6	2	8 58
7	4	8 25 58 75
8	4	8 25 41 58 75 91
9		
10		

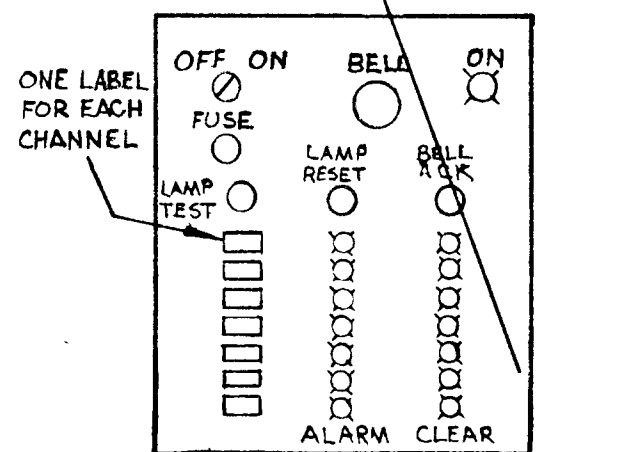
TIMER T8
SET PINS AS SHOWN ABOVE



THICKENER M14



- NOTES:
1. ALL ALARM CONTACTS TO OPEN ON ALARM CONDITION.
 2. ADD AUX N.O. CONTACTS TO PRIMARY CLARIFIER #1 & #2 STARTERS IN MCC (EXISTING) FOR ALARM CONTACTS & WARNING ON DOOR RE SECOND POWER SOURCE.
 3. LAMP 28 V NEON OR INCANDESCENT LONG LIFE.
 4. RELAYS TO HAVE CONTACTS RATED 3 AMPS MIN @ 24 VAC.
 5. AUDIBLE ALARM TO BE LONG LIFE DESIGN FOR CONTINUOUS OPERATION.



WPCP
068

THIS DRAWING IS
APPROVED

GREATER NAPANEE WATER SUPPLY & POLLUTION CONTROL BOARD
75 EAST STREET, NAPANEE, ONTARIO N7R 1S3 (813) 354-8338 FAX (813) 354-2838

PROJECT 1314 ELECTRICAL CONTROLS
STAGE 2
SEWAGE TREATMENT PLANT

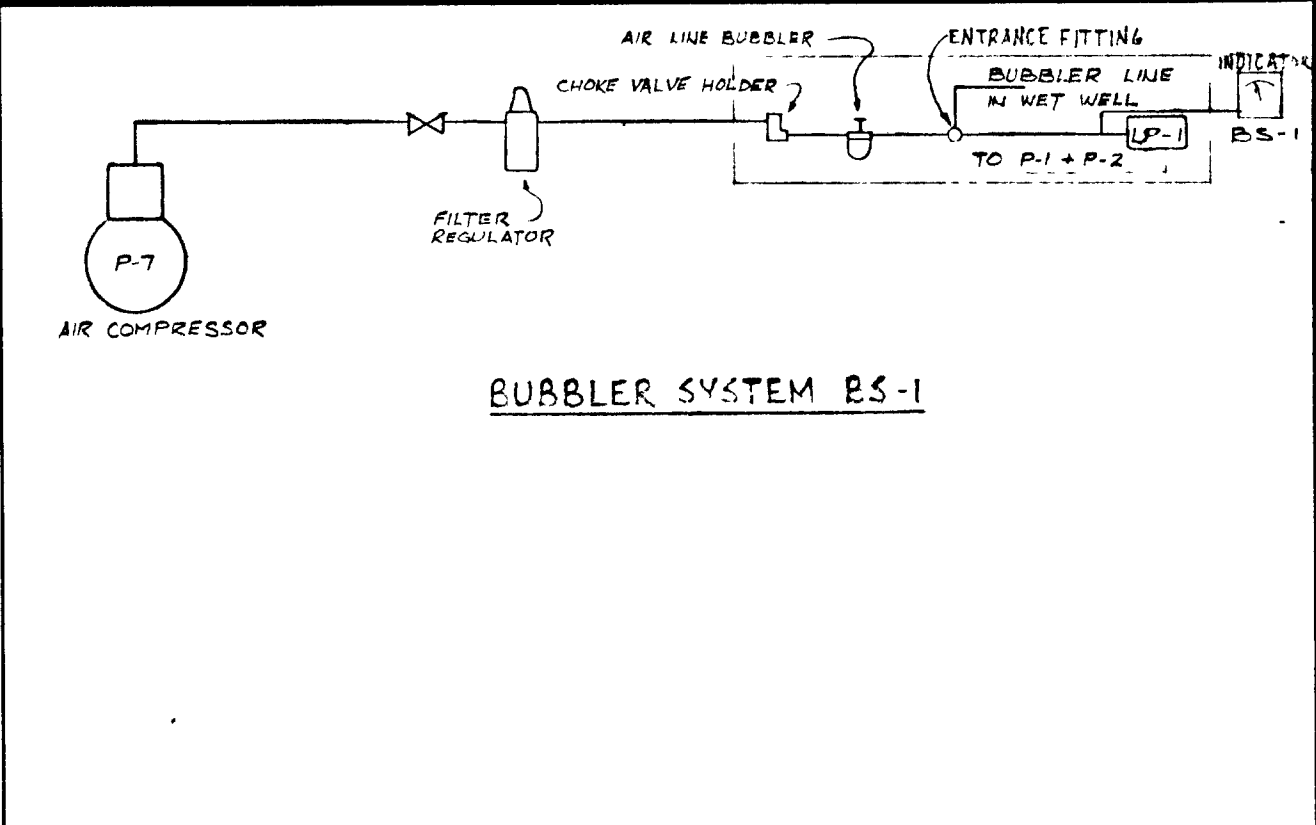
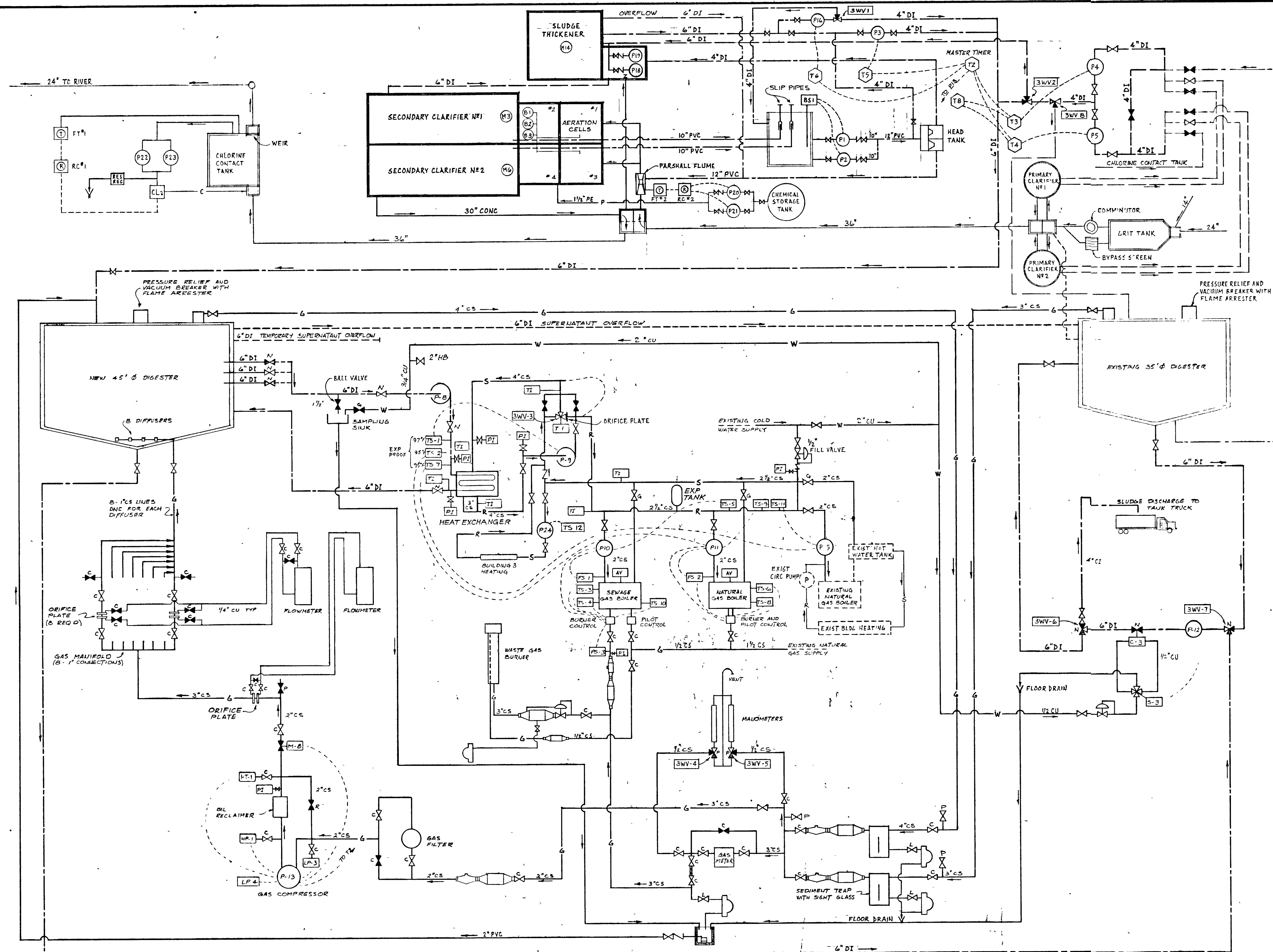
APPROVED BY: _____ SPECIFICATIONS

DESIGNED BY: _____ DATE: MAR 1978 SCALE: AS SHOWN

DRAWN BY: _____ DWG NO: WPCP-1978/1-ELEC-NP 21/45

FOR
AUCTION PURPOSES
Date: 02-20-81 Job No. 1214
E ENGINEERING LIMITED

TOWN OF NAPANEE		WATER POLLUTION CONTROL PLANT - STAGE 2 CONTRACT		ELECTRICAL CONTROLS	
J. D. LEE ENGINEERING LIMITED CONSULTING ENGINEERS - KINGSTON BRANTFORD ONT.					
81-08-05	CHANGE ORDER #1	M.S.		JOB NO	1314
3	81-06-12	THICKENER M14		DATE	30 MAR 78
2	19 FEB 81	ALARM ANNUNCIATOR PANEL ADDED	DESIGN	SCALE	
1	26 JUN 78	Exam. Timer T3 to be replaced this contact	DWN	DWG NO.	1209C
			CHK	QUANT	
			DATE	REVISION	
				SHEET	5



- LEGEND**
- NORMALLY OPEN VALVE
 - NORMALLY CLOSED VALVE
 - NORMALLY CLOSED VALVE PERIODICALLY OPENED
 - 3-WAY VALVE INDICATING NORMALLY CLOSED OR DE-ENERGIZED PORT AND SECONDARY ENERGIZED PORT
 - 4-WAY VALVE
 - EQUIPMENT NO.
 - OPERATING VALVE
 - CHECK VALVE
 - REDUCER
 - PRESSURE REGULATING VALVE
 - PUMPS
 - INSPECTION SPOOL
 - FLAME CHECK
 - FLAME TRAP ASSEMBLY
 - PRESSURE RELIEF AND FLAME TRAP ASSEMBLY
 - DRIP TRAP (MANUAL DRAIN)
 - MISCELLANEOUS INSTRUMENTATION
- MISCELLANEOUS INSTRUMENTATION**
- AV - AIR RELIEF VALVE
 - BS - LOW WATER LEVEL SENSING SYSTEM
 - FI - FLOW INDICATOR
 - HP - HIGH PRESSURE CUTOFF SWITCH
 - LP - LOW PRESSURE CUTOFF SWITCH
 - PI - PRESSURE INDICATOR
 - PS - PRESSURE SWITCH
 - TI - TEMPERATURE INDICATOR
 - TS - TEMPERATURE SWITCH
 - FS - FLOAT SWITCH
- PIPING MATERIALS**
- CU - COPPER
 - PVC - POLYVINYL CHLORIDE
 - CS - CARBON STEEL
 - ST - STAINLESS STEEL
 - GS - GALVANIZED STEEL
 - PE - POLYETHYLENE
- | PROPOSED | PIPING USE | EXISTING |
|----------|---|----------|
| | SEWAGE OR WASTE WATER | |
| | RAW SLUDGE OR SCUM | |
| | ACTIVATED, REGULATED OR DIGESTED SLUDGE | |
| | POTABLE WATER | |
| | HOT WATER HEATING SUPPLY | |
| | " " " RETURN | |
| | GAS | |
| | PHOSPHATE REMOVAL CHEMICAL | |
| | SUPERNATANT | |



GREATER NAPANEE WATER SUPPLY & POLLUTION CONTROL BOARD
 75 EAST STREET, NAPANEE, ONTARIO, K7R 1S9 (613) 354-9238 FAX (613) 354-2838

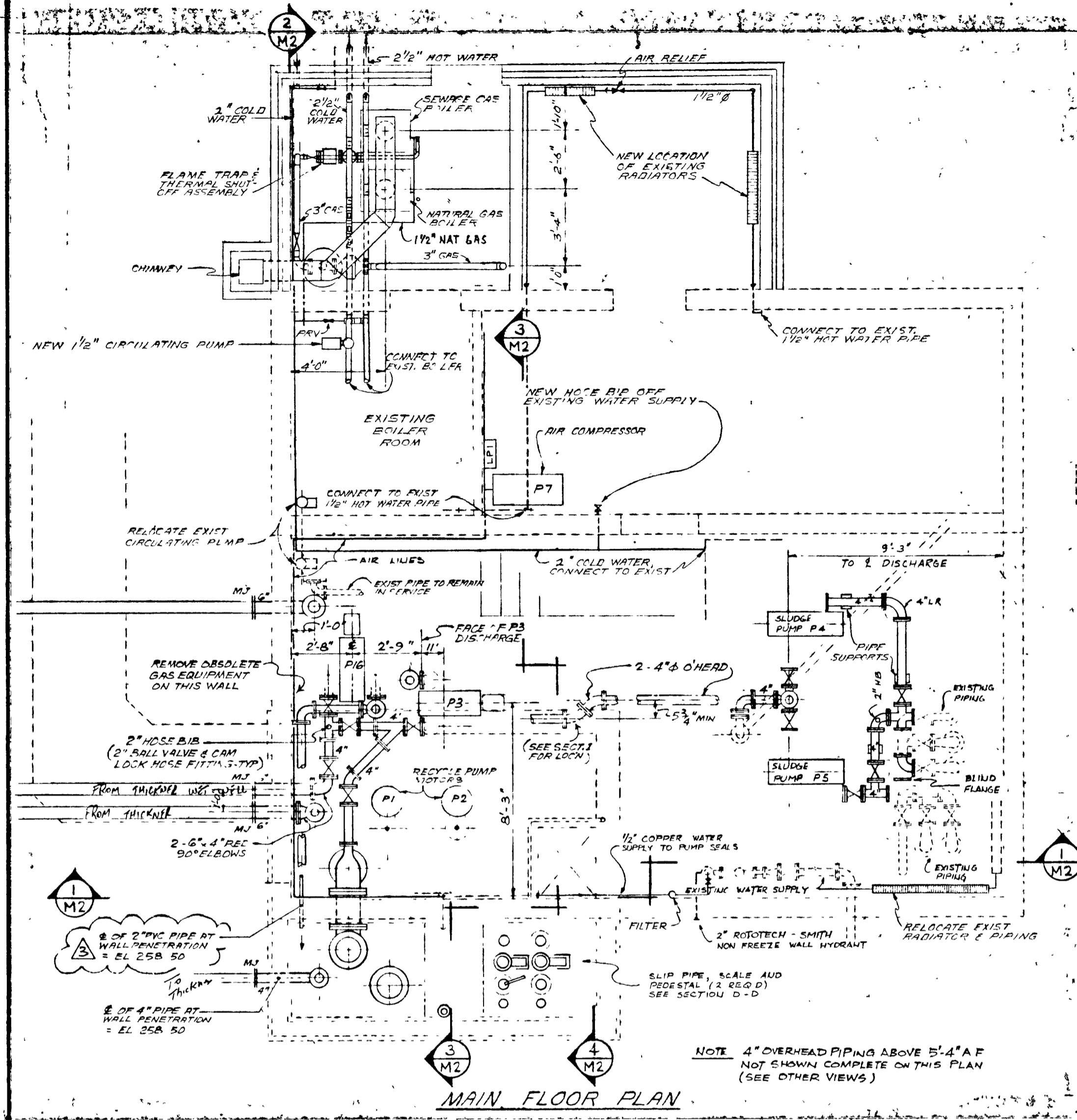
PROJECT 1314 - PROCESS & INSTRUMENTATION
 STAGE 2
 SEWAGE TREATMENT PLANT

APPROVED BY _____ SPECIFICATIONS _____
 DESIGNED BY _____ DATE MAR 1978 SCALE AS SHOWN
 DRAWN BY _____ DWG NO WPCP-1978/1-MECH-NF 22/43

TOWN OF NAPANEE
 WATER POLLUTION CONTROL PLANT - STAGE 2 CONTRACT
 PROCESS & INSTRUMENTATION

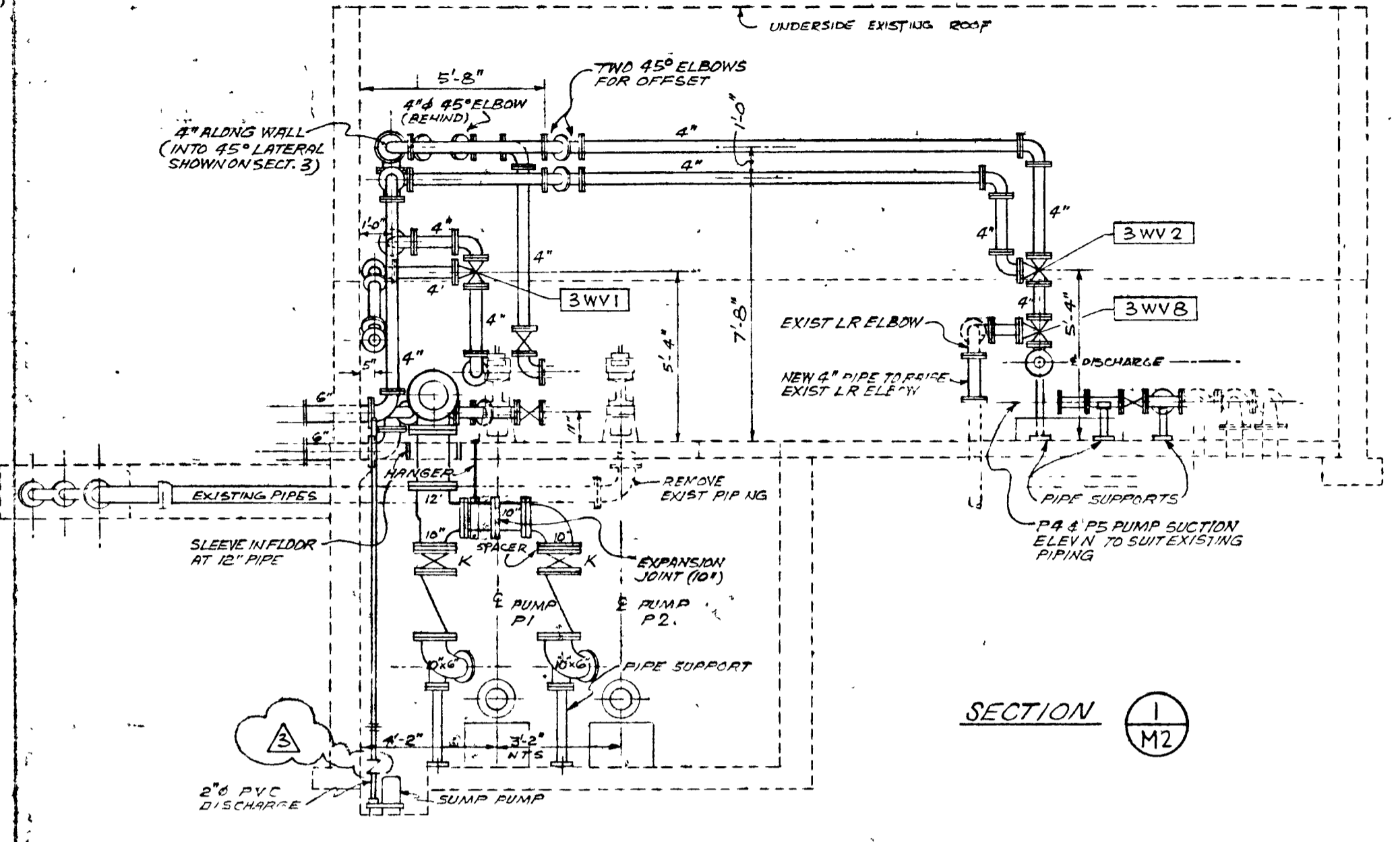
J. D. LEE ENGINEERING LIMITED
 CONSULTING ENGINEERS - KINGSTON BRANTFORD, ONT.

DATE	REVISION	CHK	QUANT	SCALE	JOB NO	DATE
MAR 83	AS-BUILT	M.S.			1314	30 MAR 78
81-06-12	General	J	DESIGN	W/L		
26 JUN 78	General	J	DWN	J		
					DWG NO	SHEET
					1209C	M1
						3

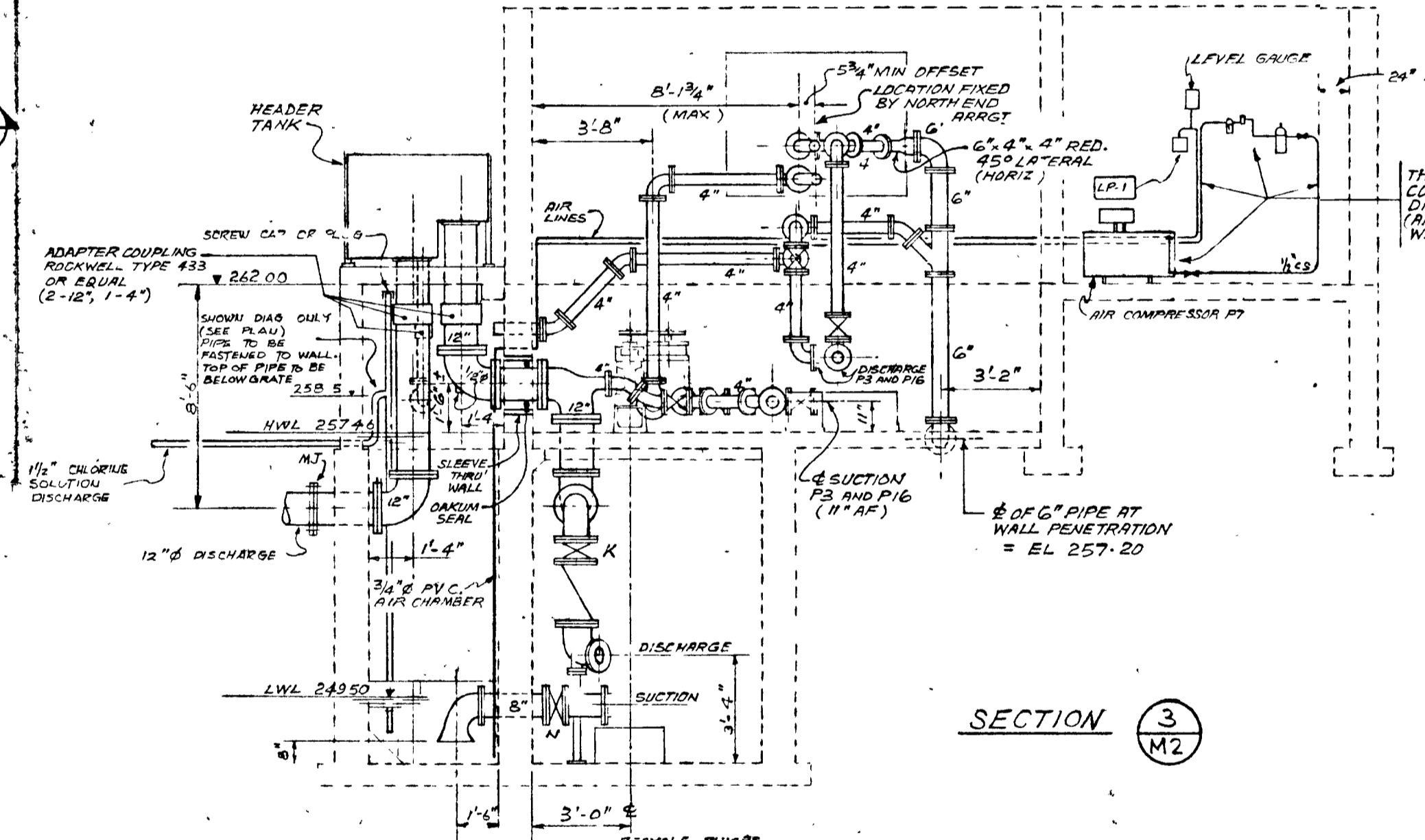


MAIN FLOOR PLAN

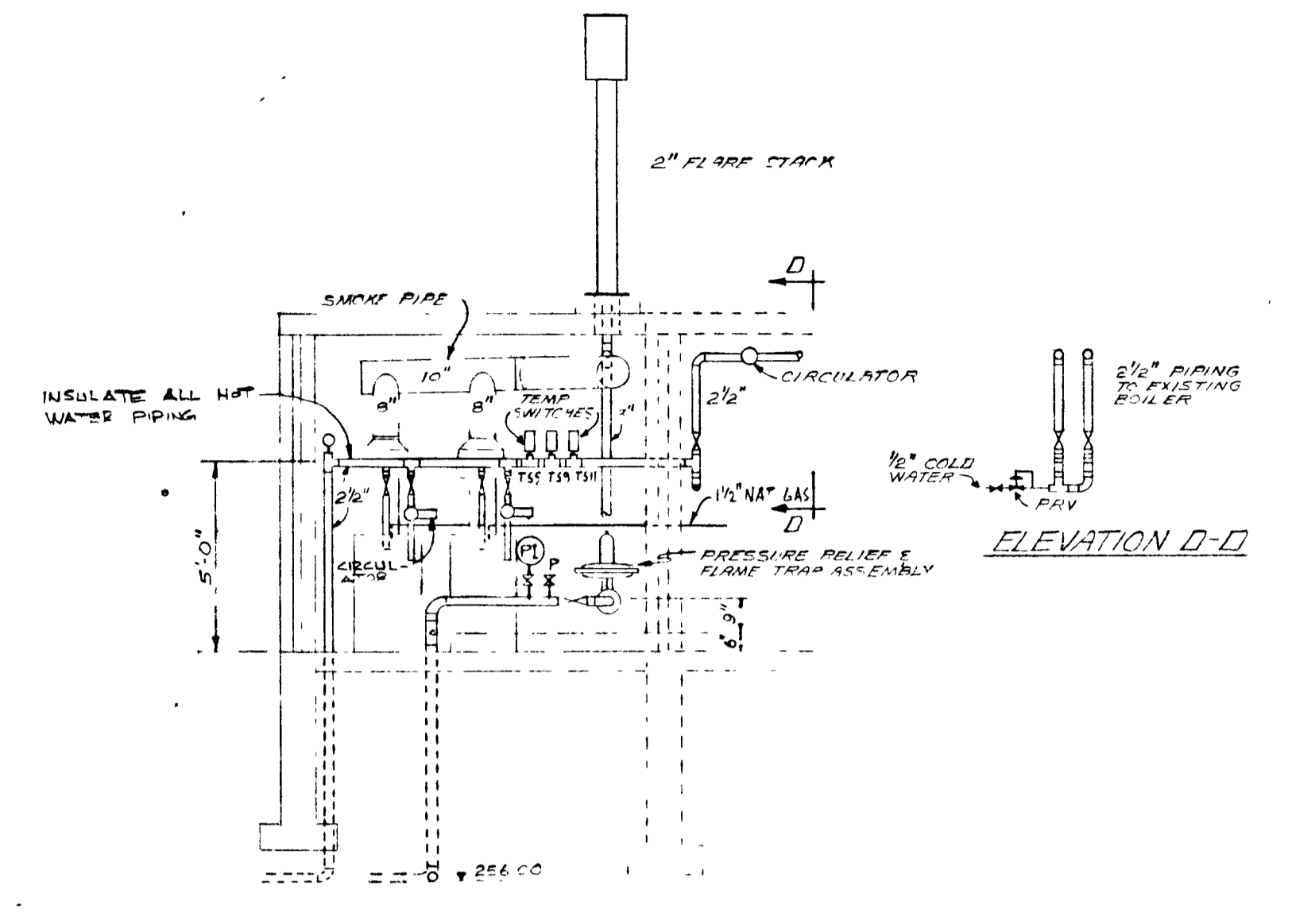
NOTE: 4" OVERHEAD PIPING ABOVE 5'-4" AFF NOT SHOWN COMPLETE ON THIS PLAN (SEE OTHER VIEWS)



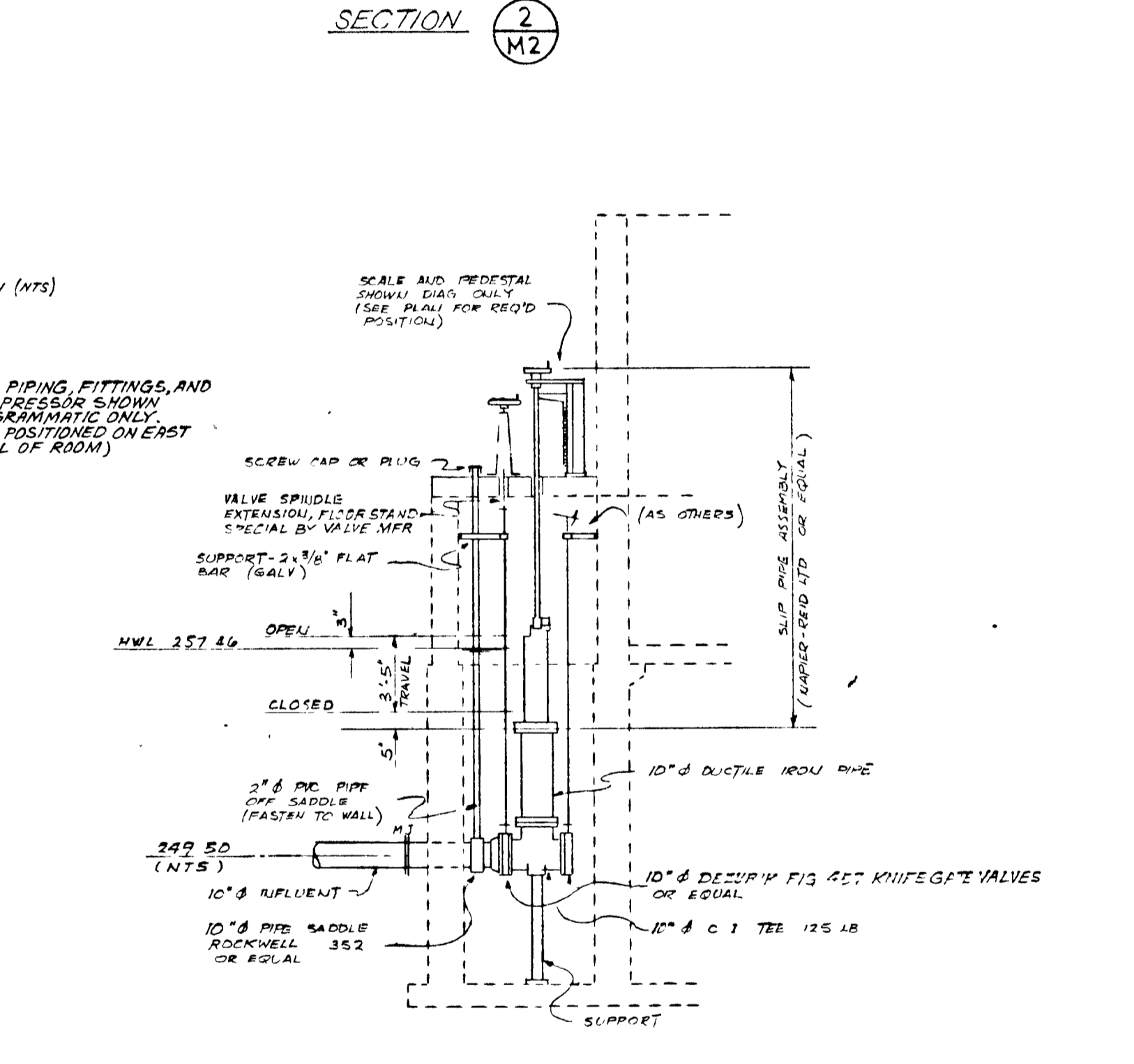
SECTION 1 (M2)



SECTION 3 (M2)

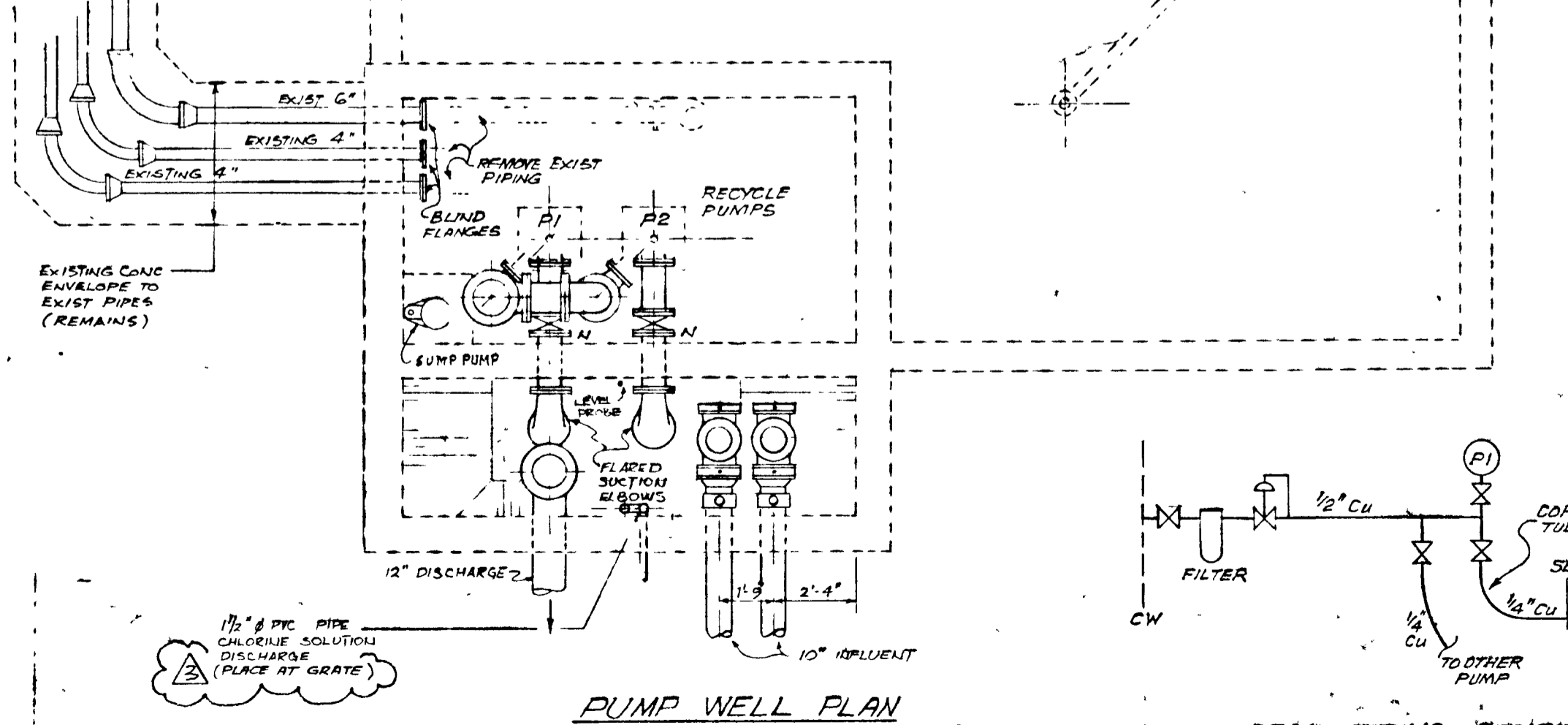


ELEVATION D-D

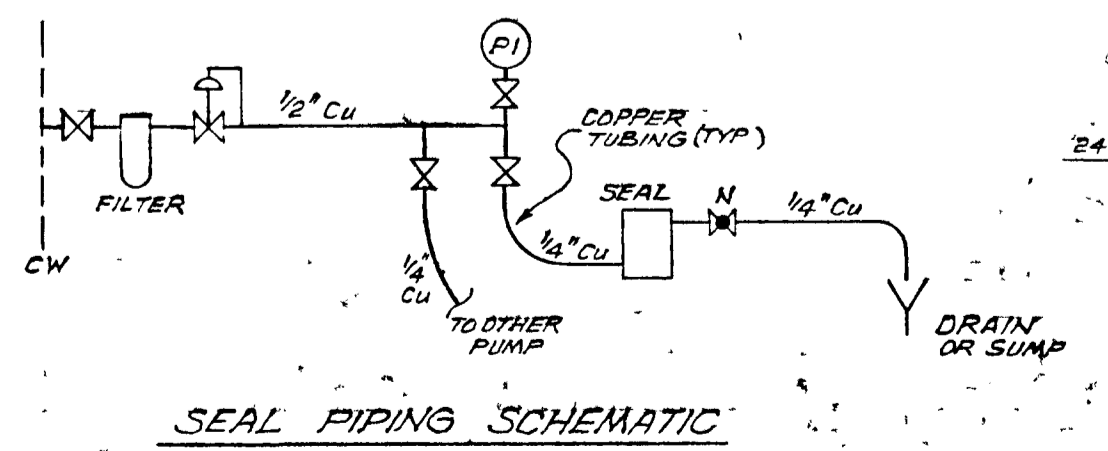


SECTION 2 (M2)

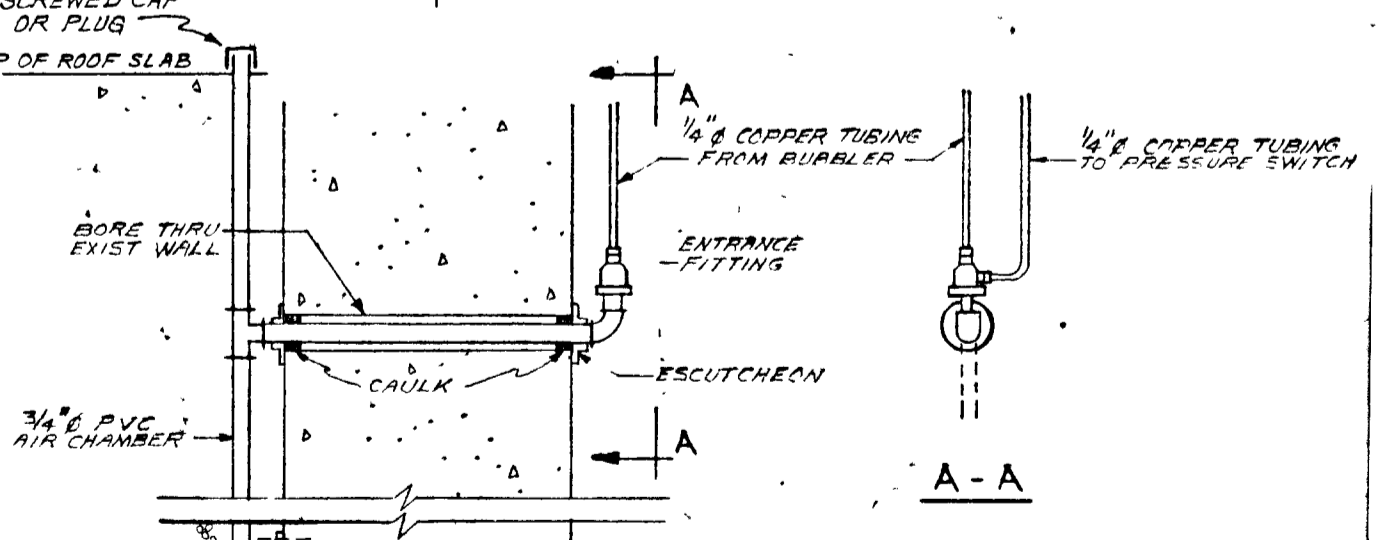
SECTION 4 (M2)



PUMP WELL PLAN



SEAL PIPING SCHEMATIC



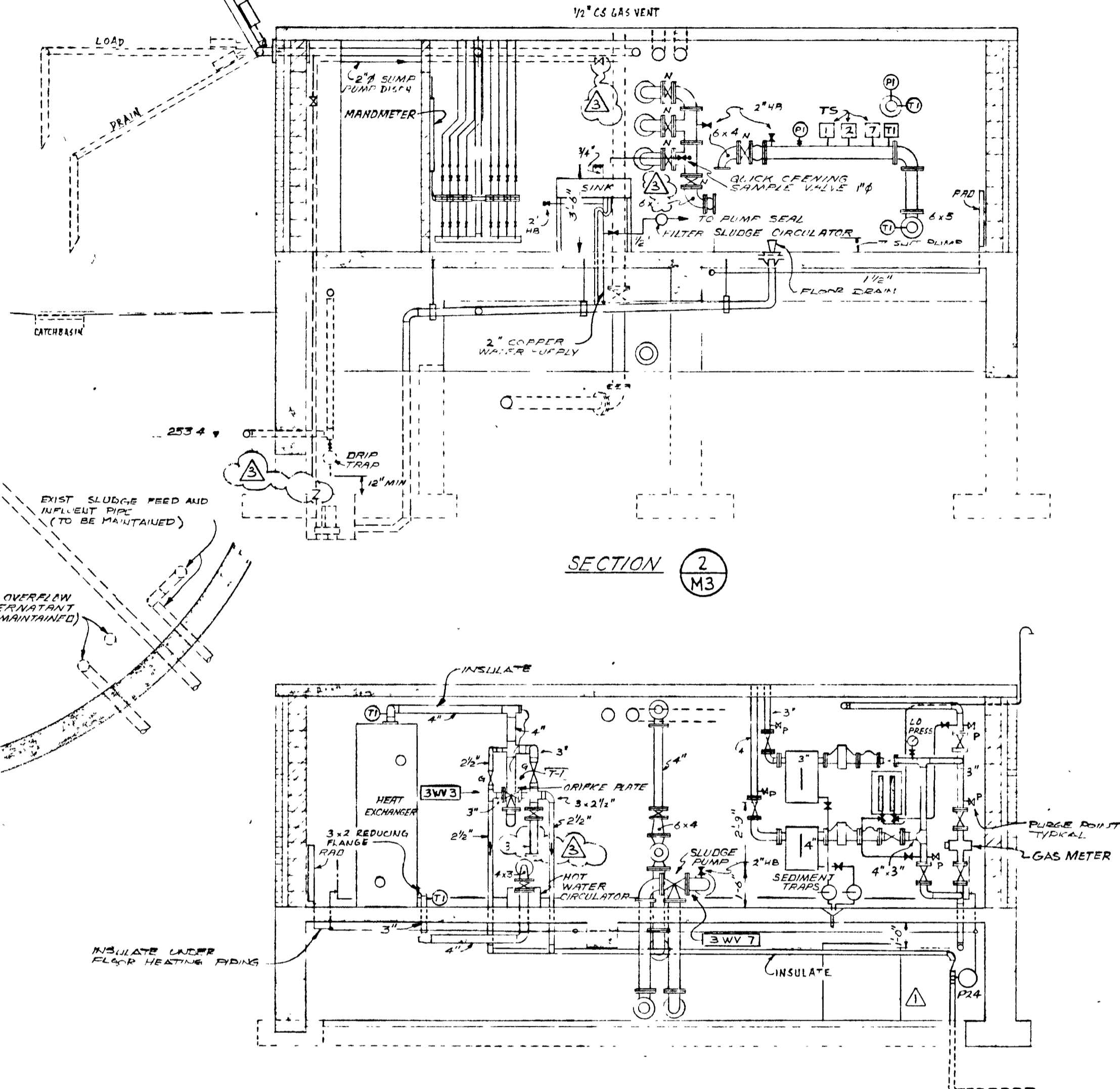
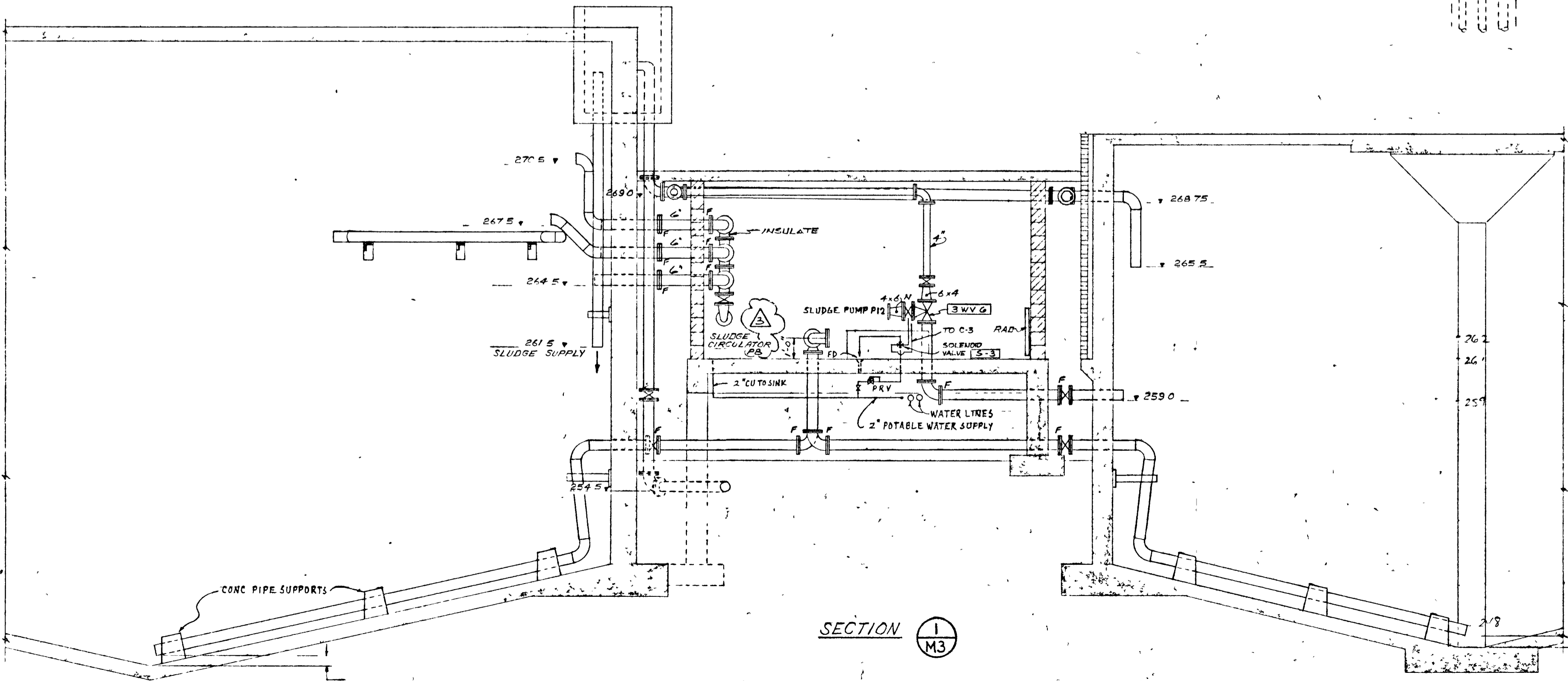
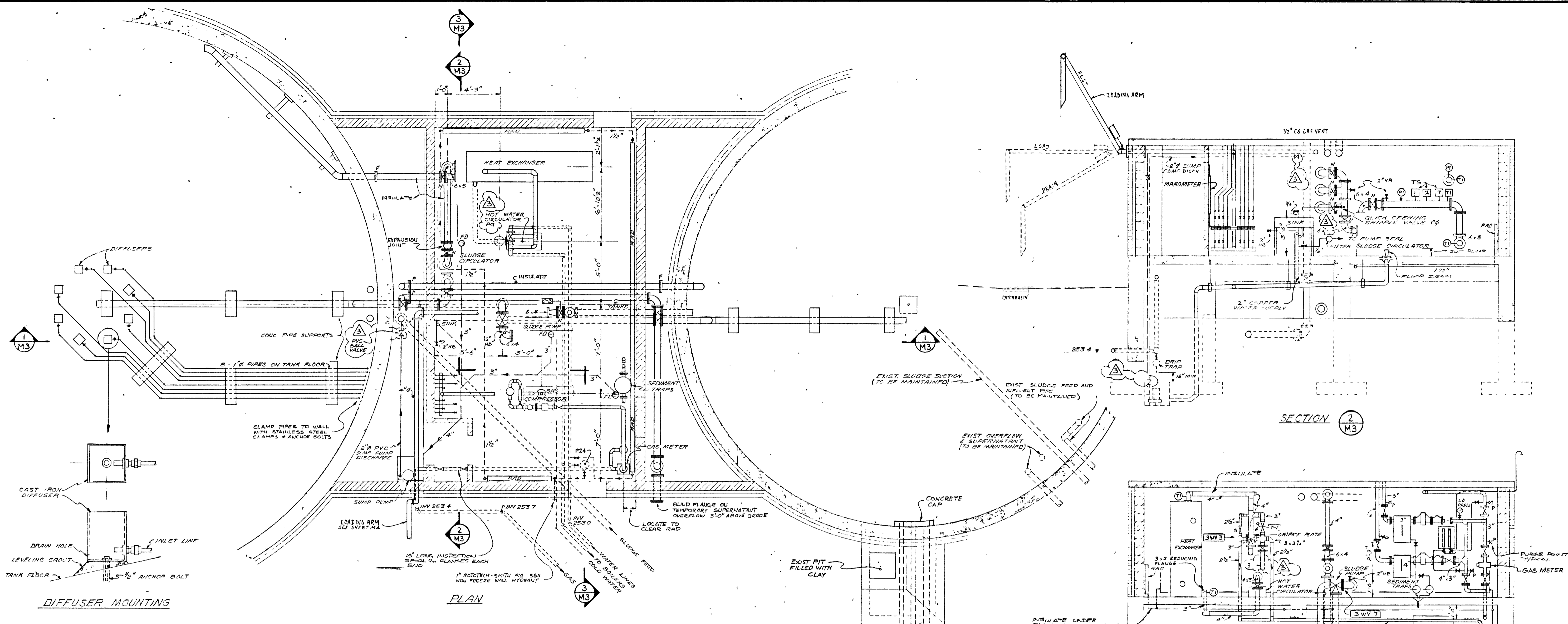
LIQUID LEVEL SENSING PIPING



- NOTES:
- (1) SEE ALSO SHEETS C1 TO C11 FOR OTHER MECHANICAL NOT SHOWN ON M1 TO M6
 - (2) PIPE HANGERS FROM EXIST ROOF NOT SHOWN
 - (3) ALL 4", 6", 8", 10" & 12" PIPING ON THIS DWG TO BE DUCTILE IRON WITH C.I. FITTINGS

GREATER NAPANEE WATER SUPPLY & POLLUTION CONTROL BOARD 75 EAST STREET, NAPANEE, ONTARIO K7R 1S8 (819) 354-9338 FAX (819) 354-2838			
PROJECT 1514 SLUDGE PUMP BUILDING - MECHANICAL STAGE 2 SEWAGE TREATMENT PLANT			
APPROVED BY	SPECIFICATIONS		
DESIGNED BY	DATE	SCALE	
DRAWN BY	DWG NO	WPCP-1978/A-MECH-Nº 23/45	

TOWN OF NAPANEE			
WATER POLLUTION CONTROL PLANT - STAGE 2 CONTRACT			
SLUDGE PUMP BUILDING - MECHANICAL			
AS-BUILT		N.S.	
CHANGE ORDER #1		M.S.	
General	N.S.	DESIGN	ML
General	X	DWN	ML
REVISION	CHK	QUANT	
J. D. LEE ENGINEERING LIMITED		CONSULTING ENGINEERS - KINGSTON BRANTFORD ONT.	
SCALE	1/4" = 1'-0"	JOB NO	1314
DATE	30 MAR 78	SHEET	M 2
DWG NO	1209C	REVISION	4



- NOTES:**
- 1) ALL GAS PIPING IS 3/4" EXCEPT AS NOTED
 - 2) OTHER PIPING IS 6" EXCEPT AS NOTED
 - 3) FIBERGLASS INSULATION ON ALL HOT WATER AND SLUDGE PIPES
 - 4) PIPE JOINTS TO BE FLANGED
 - 5) THIS DRAWING TO BE USED IN CONJUNCTION WITH SUPPLIERS SHOP DRAWINGS FOR GAS MIXING EQUIPMENT AND PIPING ARRANGEMENTS
 - 6) F - FLEXIBLE JOINT OR COUPLING EQUAL TO VICTAULIC
 - 7) PROVIDE SLEEVES THROUGH BLOCK AND FOUNDATION WALLS

GREATER NAPANEE WATER SUPPLY & POLLUTION CONTROL BOARD
 75 EAST STREET, NAPANEE, ONTARIO K7R 1S8 (613) 354-9338 FAX (613) 354-2838

PROJECT: 1314 PRIMARY DIGESTER & BUILDING MECHANICAL & GAS PIPING (I) STAGE 2 SEWAGE TREATMENT PLANT

APPROVED BY: _____ SPECIFICATIONS

DESIGNED BY: _____ DATE: MAR. 1978 SCALE: AS SHOWN

DRAWN BY: _____ DWG NO: 11-00-1778/-MECH-NO 24/43

DRAWING IS APPROVED FOR PURPOSES

120-31 Job No. 1314

WPCP 071

Napanee UTILITIES

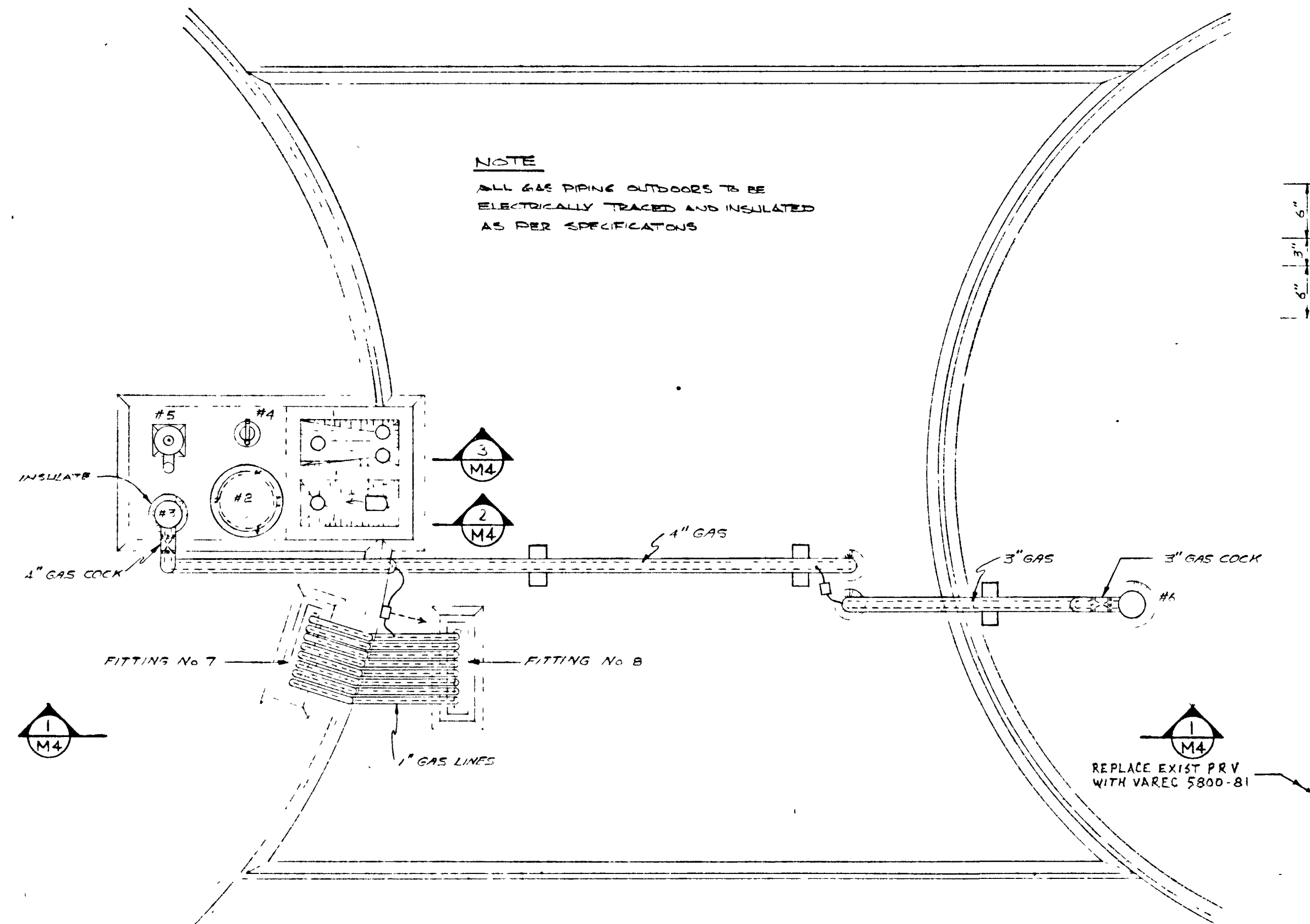
TOWN OF NAPANEE

POLLUTION CONTROL PLANT - STAGE 2 CONTRACT

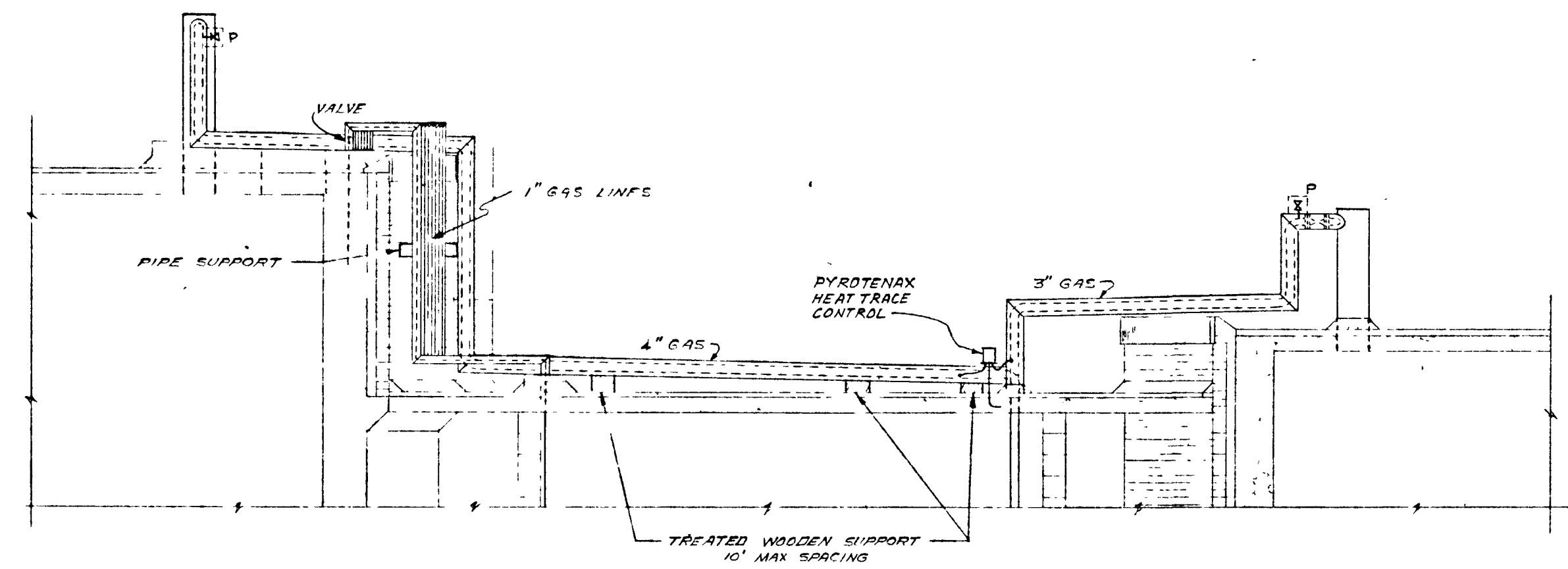
DIGESTER & BUILDING - MECHANICAL & GAS PIPING (I)

DATE	REVISION	CHK	QUANT	AS-BUILT	M.S.	J. D. LEE ENGINEERING LIMITED	SCALE	JOB NO.	DATE
MAR/82	1			CHANGE ORDER #1	M.S.	CONSULTING ENGINEERS - KINGSTON BRANTFORD, ONT.	1/4" = 1'-0"	1314	30 MAR 78
21-06-12	2			GENERAL	D				
26 JUN 78	3			GENERAL	DWN				
							DWG NO	SHEET	REVISION
							1209C	M3	4

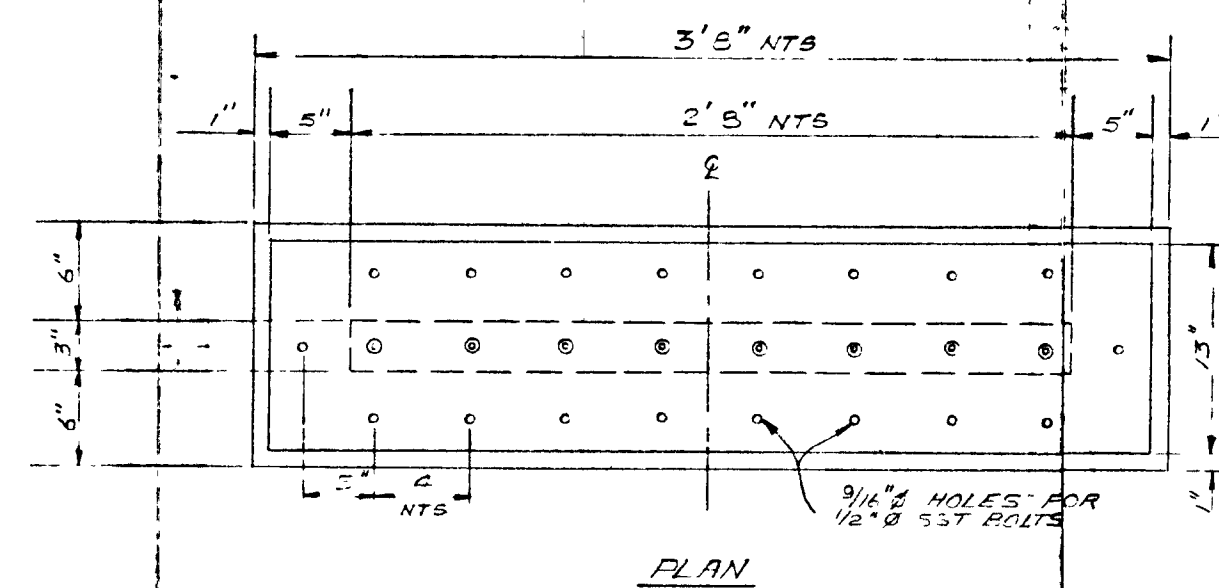
NOTE
ALL GAS PIPING OUTDOORS TO BE ELECTRICALLY TRACED AND INSULATED AS PER SPECIFICATIONS



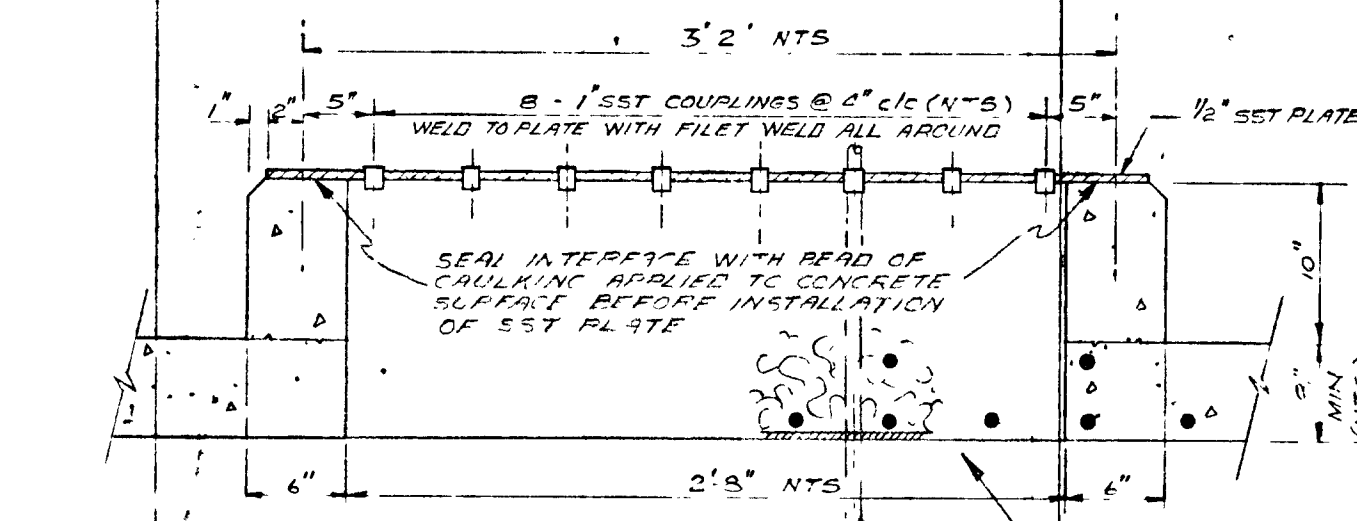
ROOF PLAN
SCALE 1/4" = 1'-0"



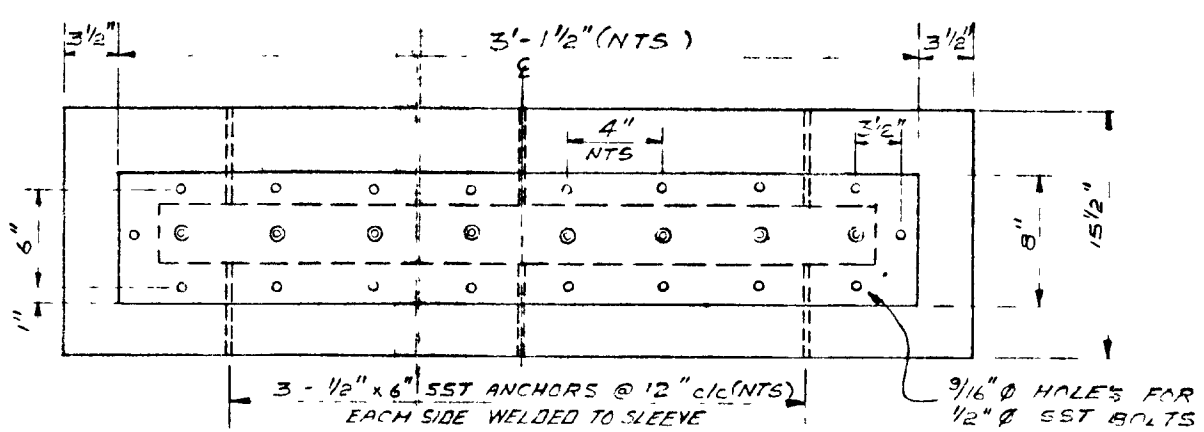
SECTION I
1/4" = 1'-0"



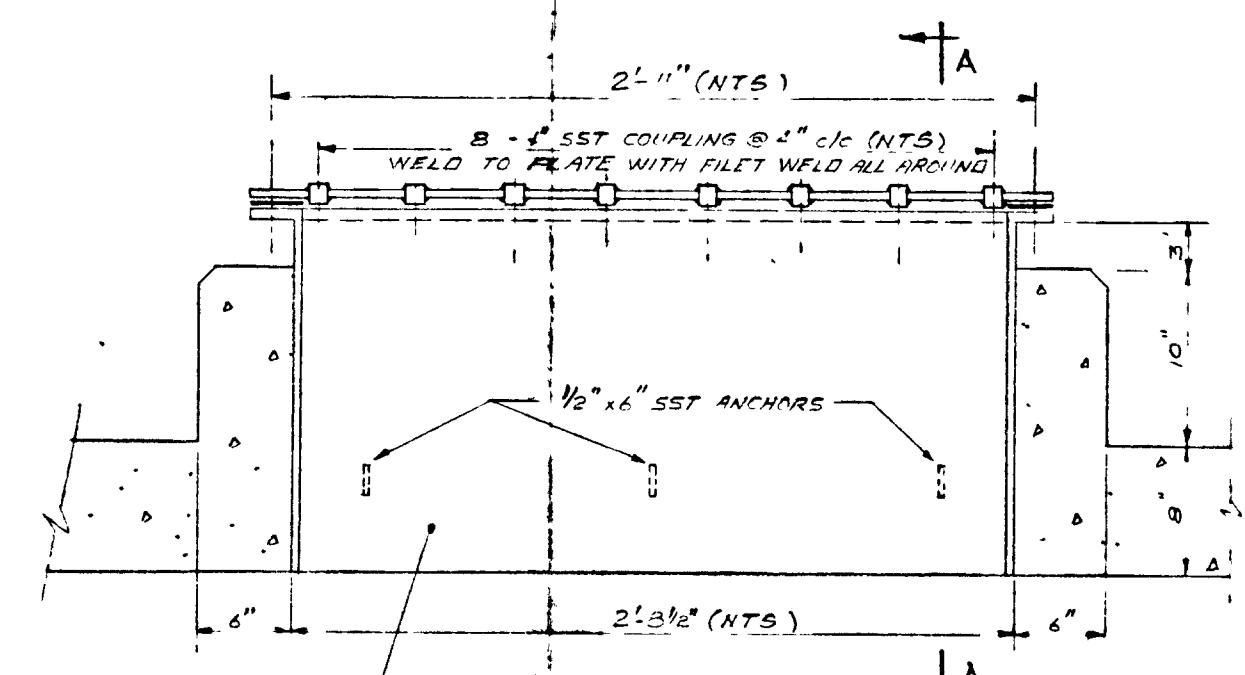
PLAN



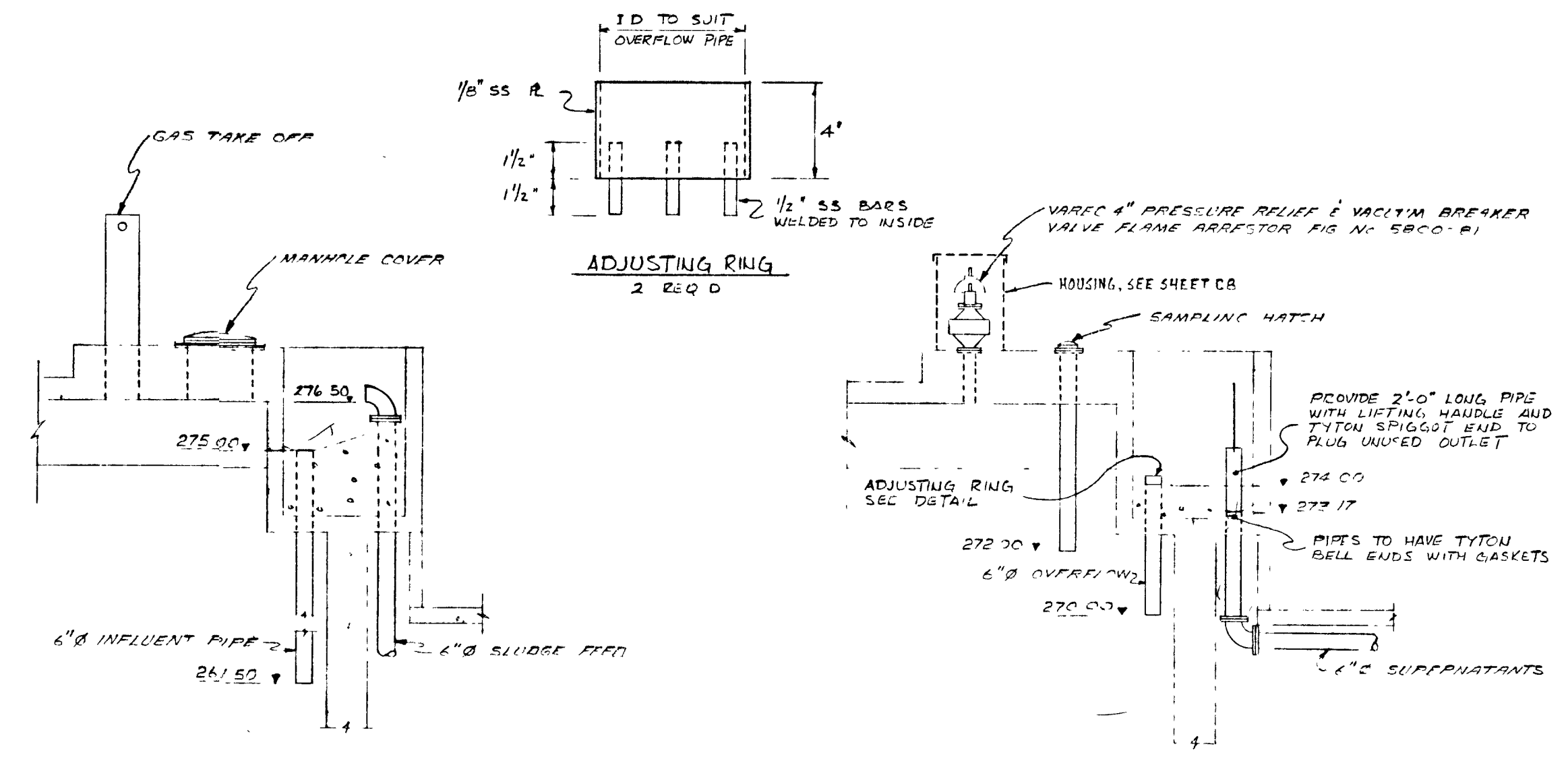
SECTION
FITTING No. 8
SCALE 1" = 1'-0"



PLAN

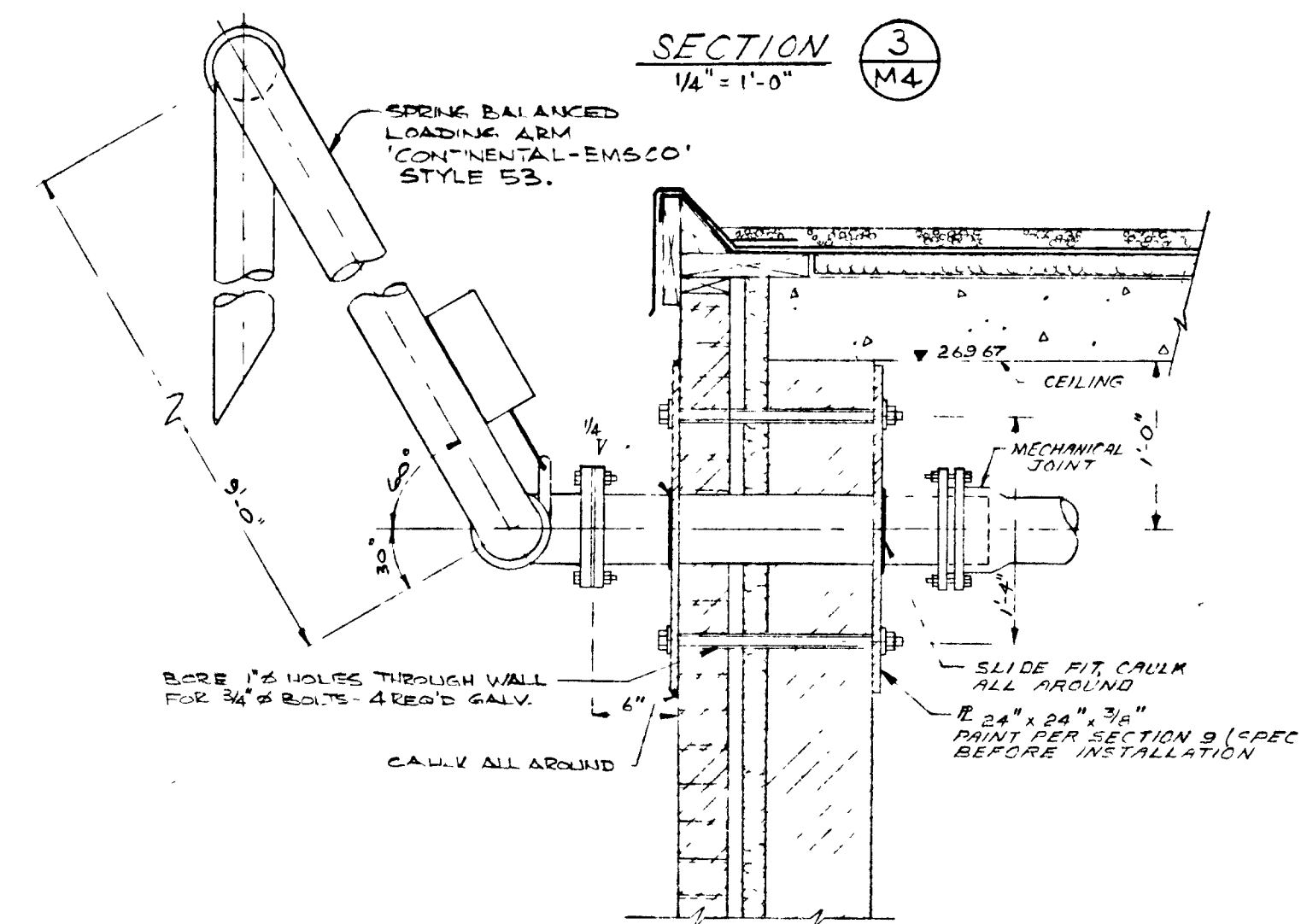


FITTING No. 7
SCALE 1" = 1'-0"



SECTION 2
1/4" = 1'-0"

SECTION 3
1/4" = 1'-0"



SWING PIPE DETAIL (SEE SHEET M2)
SCALE 1" = 1'-0"

GREATER NAPANEE WATER SUPPLY & POLLUTION CONTROL BOARD
75 EAST STREET, NAPANEE, ONTARIO N7R 1S3 (613) 354-9238 FAX (613) 354-2838

PROJECT 1314 PRIMARY DIGESTER & BUILDING
MECHANICAL & GAS PIPING (II) STAGE 2
SEWAGE TREATMENT PLANT

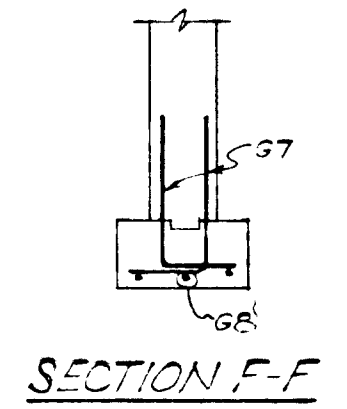
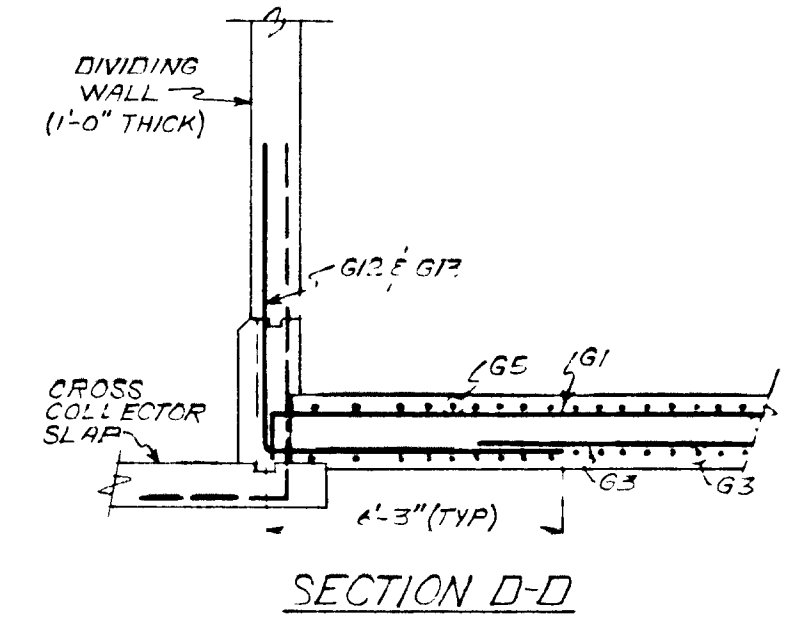
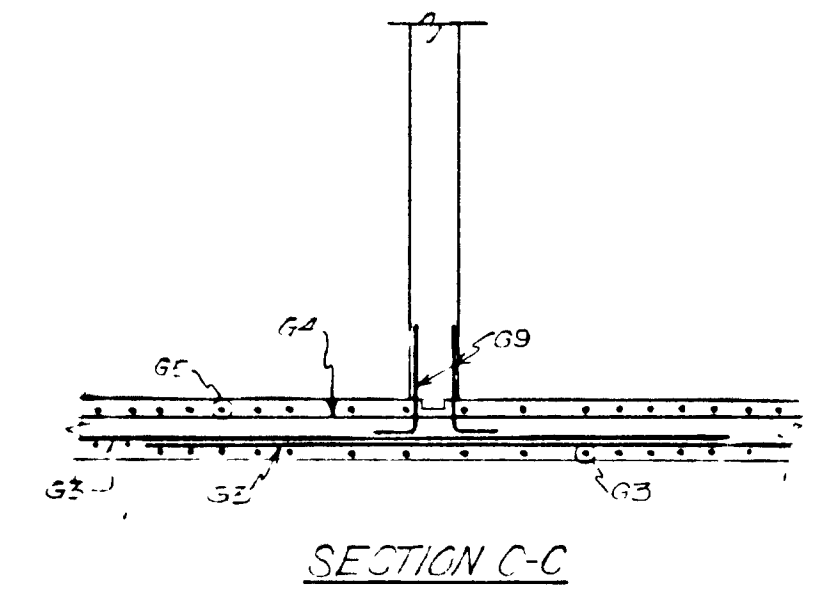
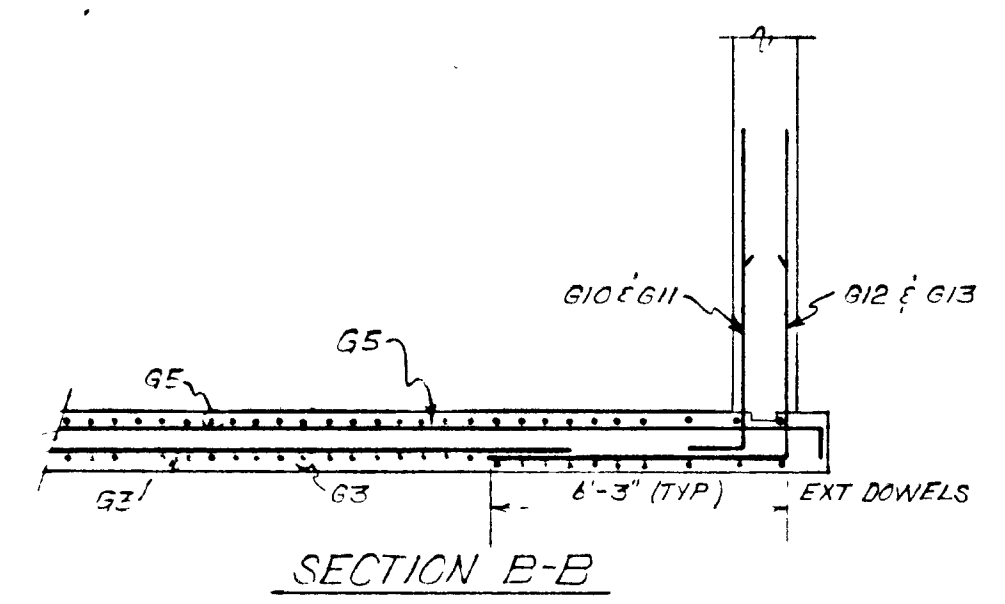
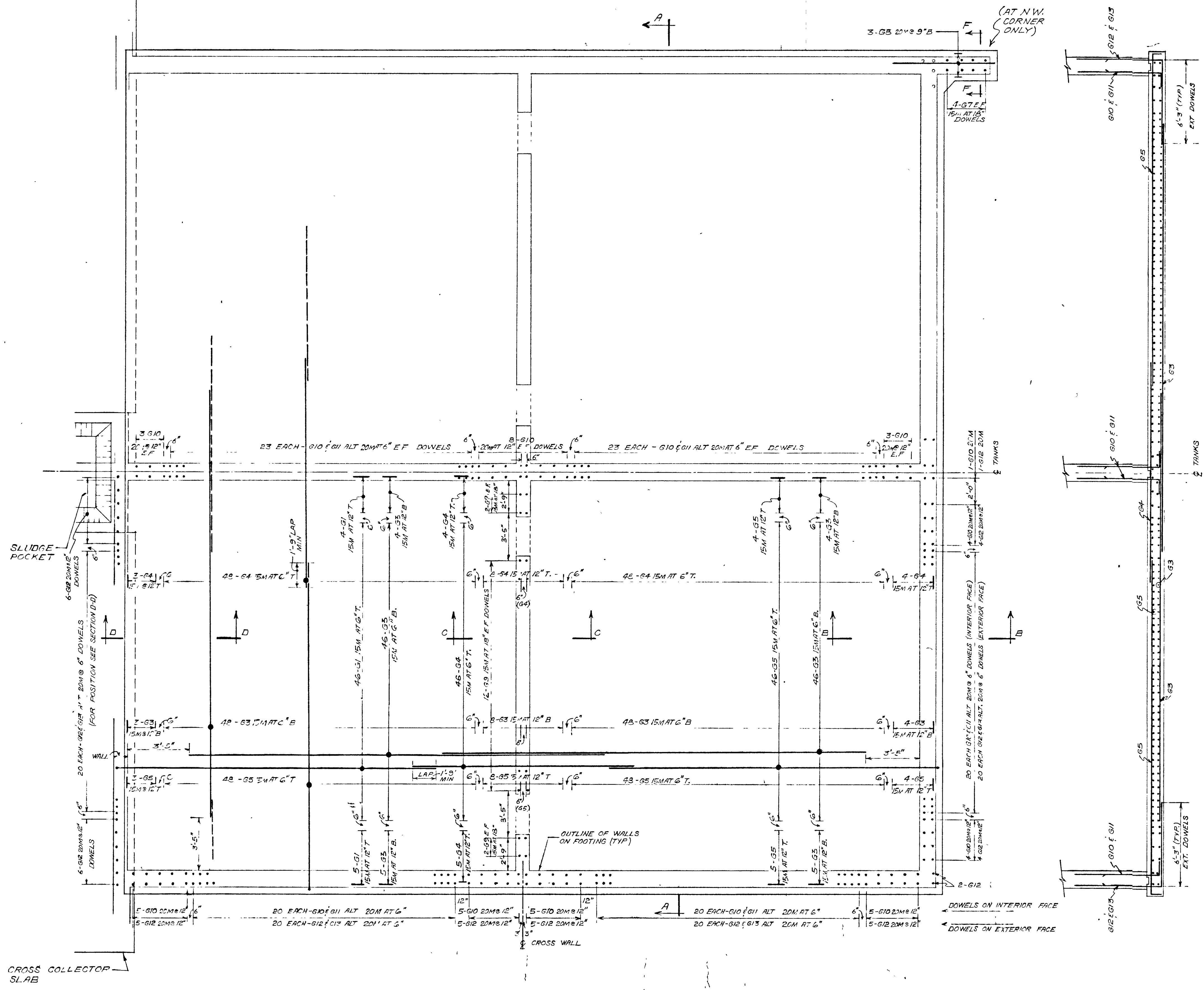
APPROVED BY _____ **SPECIFICATIONS**

DESIGNED BY _____ **DATE** MAR 1978 **SCALE** AS SHOWN

DRAWN BY _____ **DWG NO.** WPCP-1978/1-MECH-NO 25/43



TOWN OF NAPANEE					
WATER POLLUTION CONTROL PLANT - STAGE 2 CONTRACT					
PRIMARY DIGESTER & BUILDING — MECHANICAL & GAS PIPING (II)					
J. D. LEE ENGINEERING LIMITED					
CONSULTING ENGINEERS - KINGSTON BRANTFORD, ONT.					
MAR 78	AS-BUILT	M.G.	SCALE	JOB NO	DATE
26 JUN 78	GENERAL	D	AS SHOWN	1314	30 MAR 78
DATE	REVISION	CHK	QUANT	DWG NO.	SHEET
				1209C	M4
					3



SECTION A-A

PLAN - FOUNDATION SLAB
(REINFORCING SYMMETRICAL ABOUT 2 TANKS)

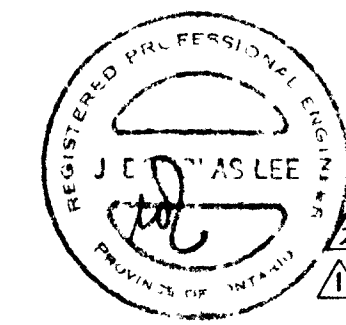
GREATER NAPANEE WATER SUPPLY & POLLUTION CONTROL BOARD
75 EAST STREET, NAPANEE, ONTARIO, K7R 1S3
(613) 364-8338 FAX (613) 364-2838

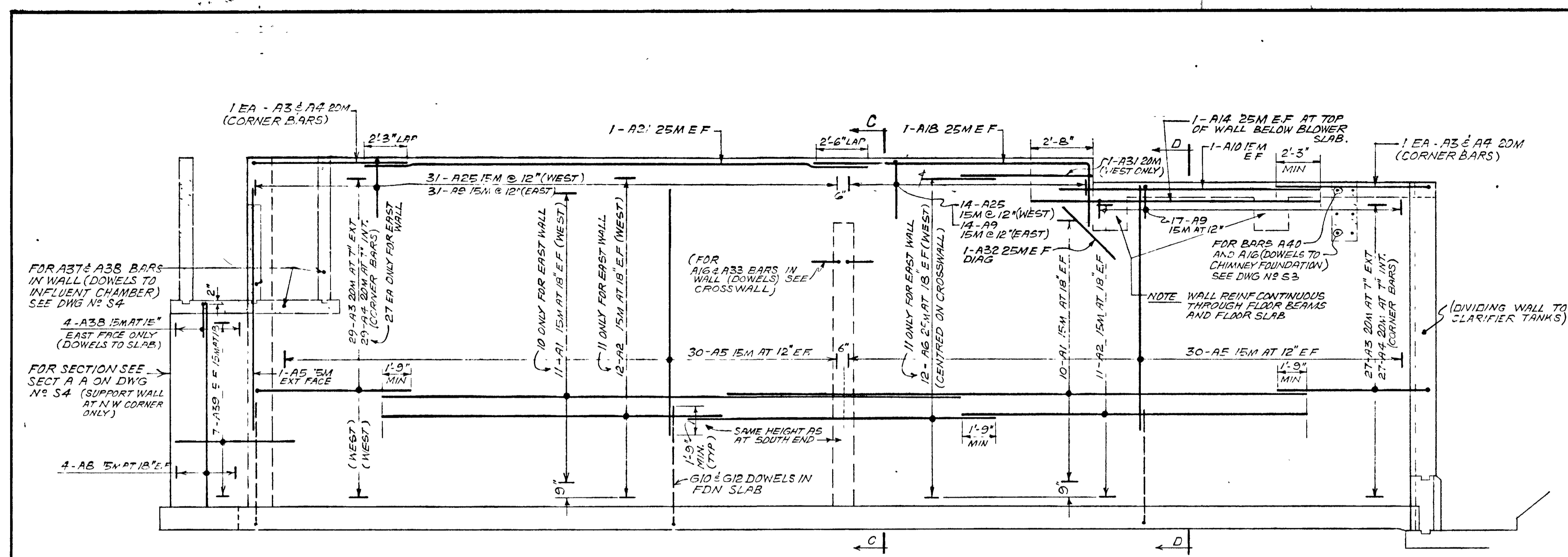
PROJECT: 1514 AERATION TANKS REINFORCING FOUNDATION SLAB STAGE 2
SEWAGE TREATMENT PLANT

APPROVED BY: _____ DATE: MAR 1978 SCALE: AS SHOWN
DESIGNED BY: _____ DWG NO. 112092-1079/1-572-1016/13
DRAWN BY: _____

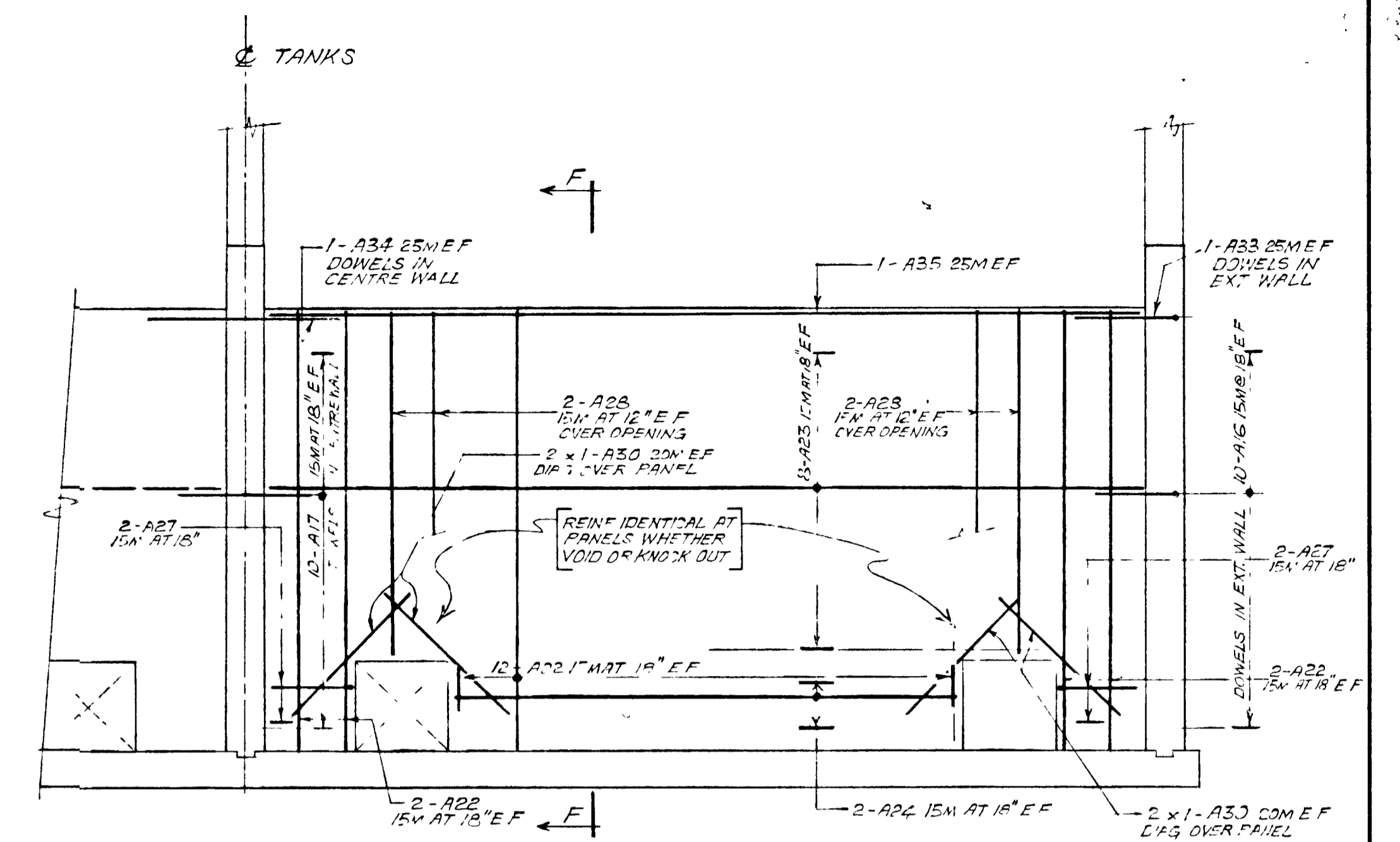
Napanee UTILITIES WPCP 073

TOWN OF NAPANEE					
WATER POLLUTION CONTROL PLANT - STAGE 2 CONTRACT					
AERATION TANKS REINFORCING - FOUNDATION SLAB					
J. D. LEE ENGINEERING LIMITED					
CONSULTING ENGINEERS - KINGSTON BRANTFORD ONT.					
81-06-12	GENERAL	ACJ	DESIGN	ML	SCALE 1/4" = 1'-0"
26 JUN 78	GENERAL	MS	DWN	ML	J
DATE	REVISION	CHK	QUANT		
					JOB NO. 1314
					DATE 30 MAR 78
					REVISION 2

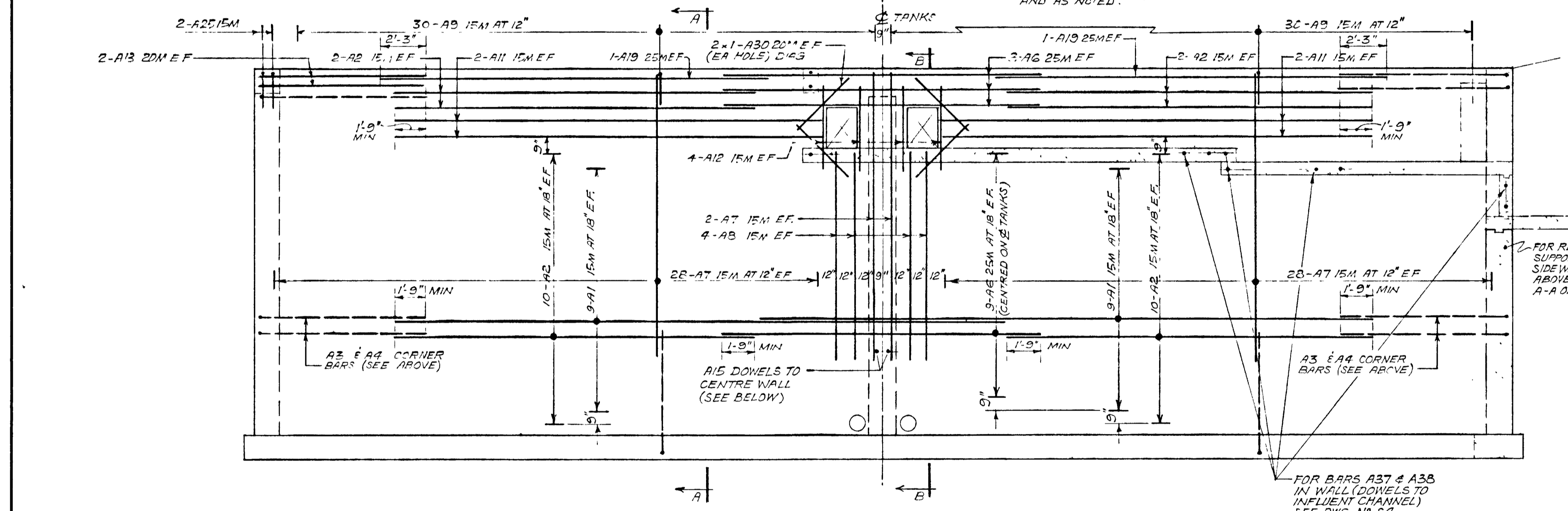




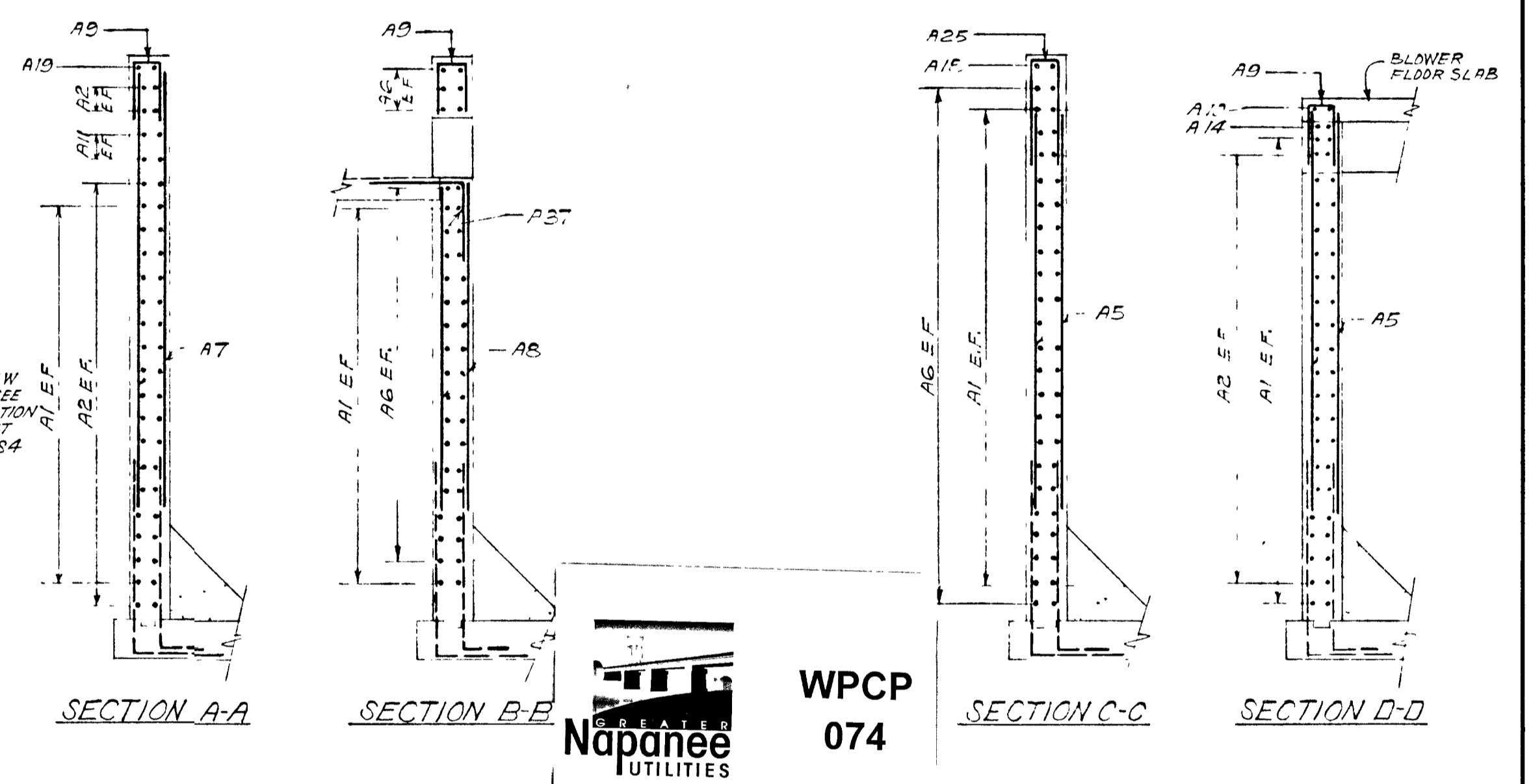
ELEVATION OF EXTERIOR SIDE WALL - ON EXTERIOR FACE
 (AS DRAWN FOR WEST WALL - OPPOSITE HAND FOR EAST WALL AND AS NOTED.)



ELEVATION OF INTERIOR CROSSWALL
 (REINFORCING SYMMETRICAL ABOUT Q TANKS)



ELEVATION OF EXTERIOR END WALL - ON EXTERIOR FACE



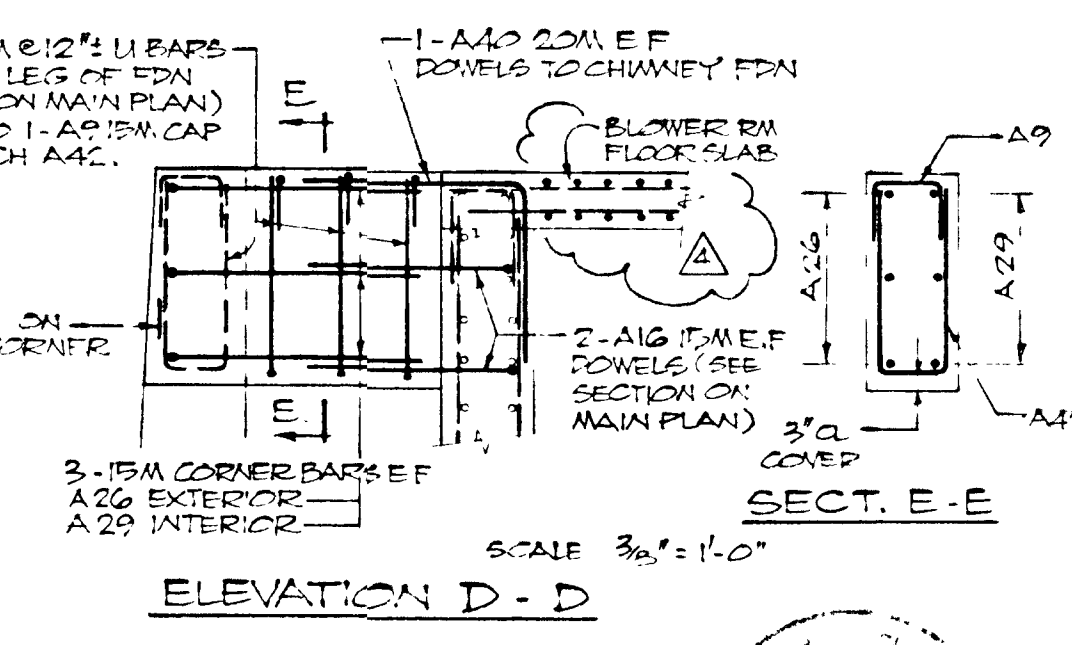
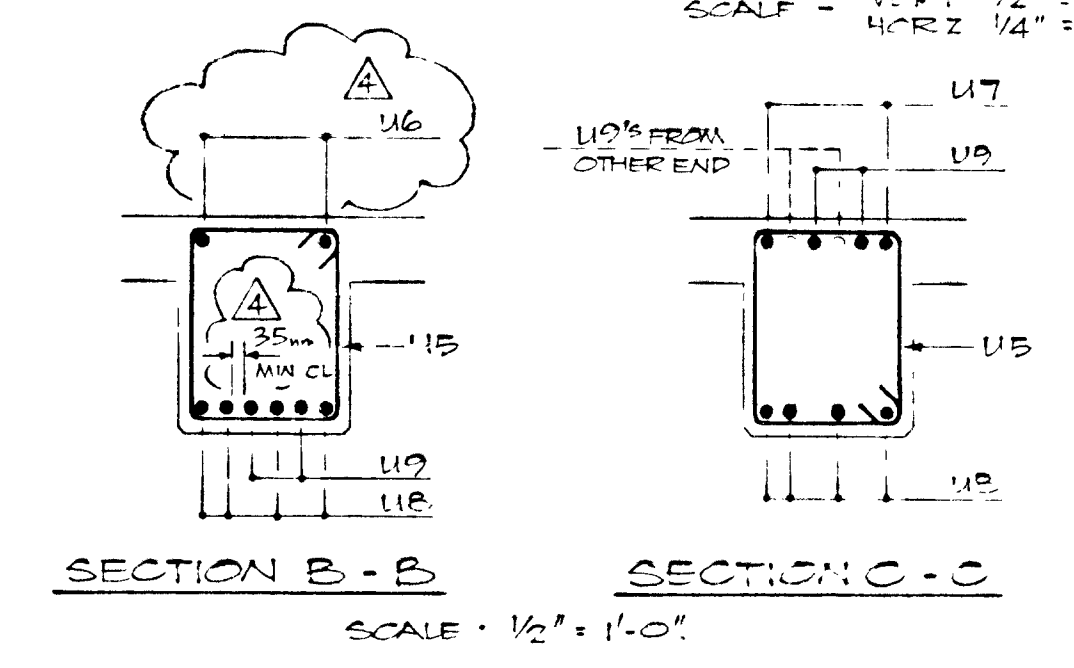
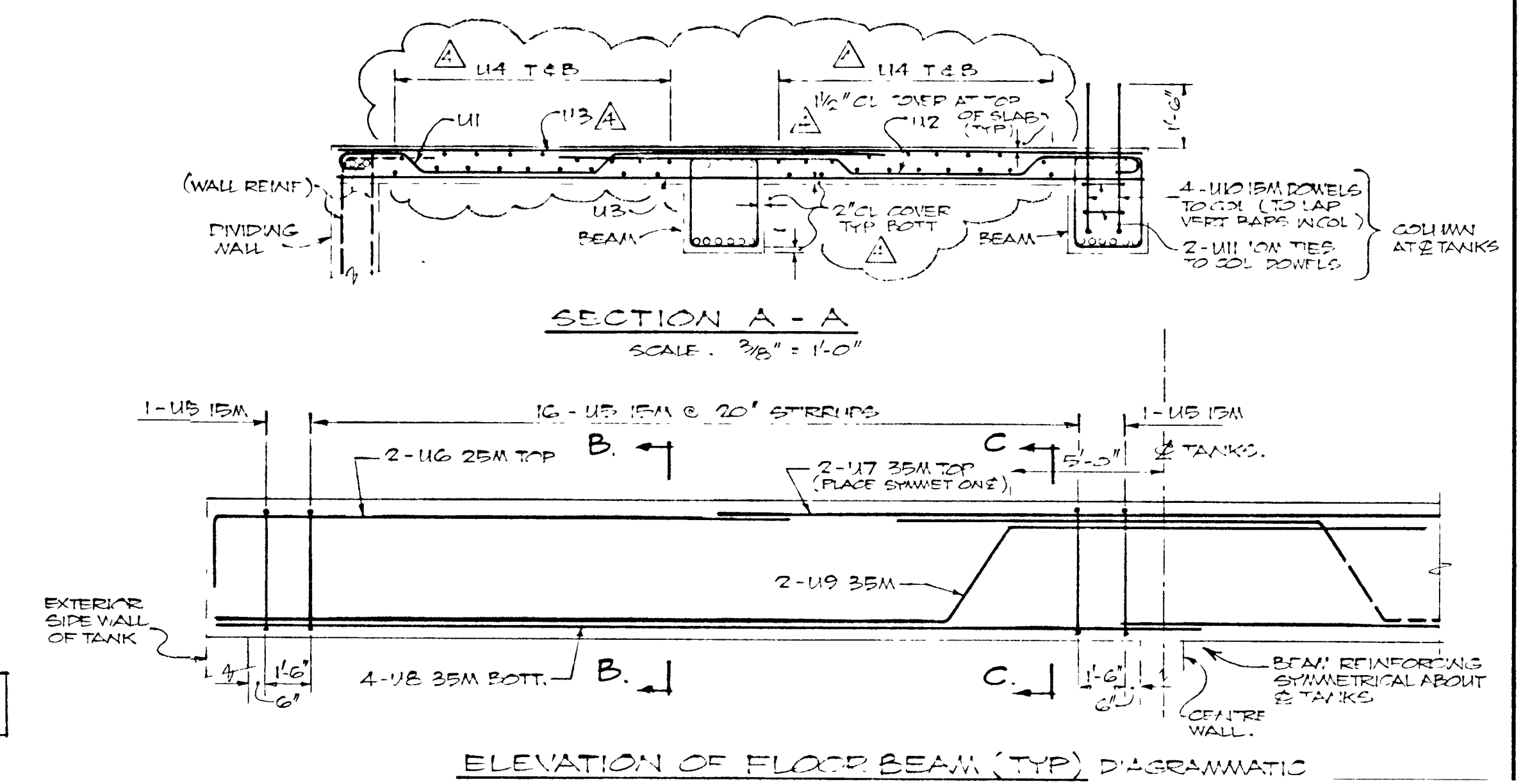
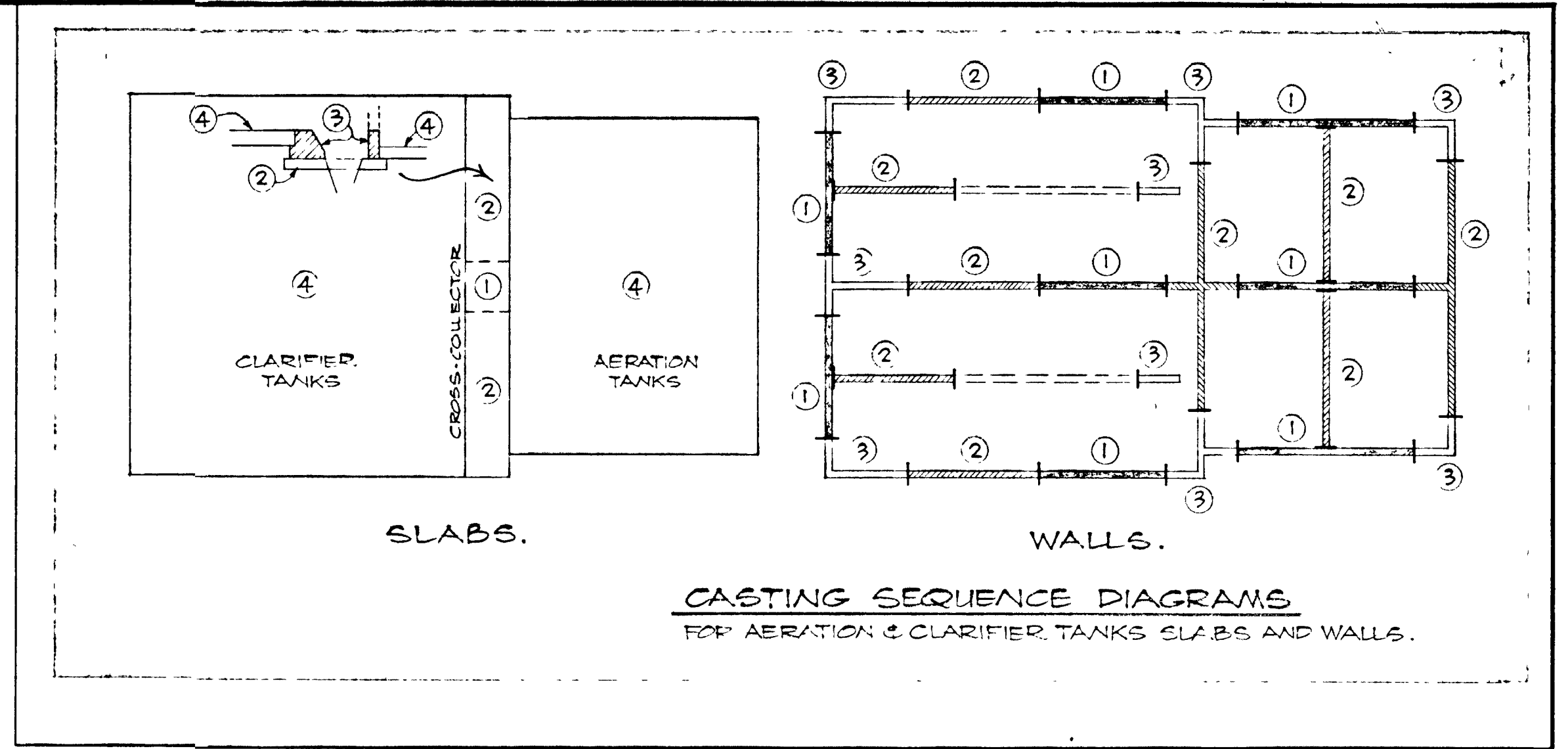
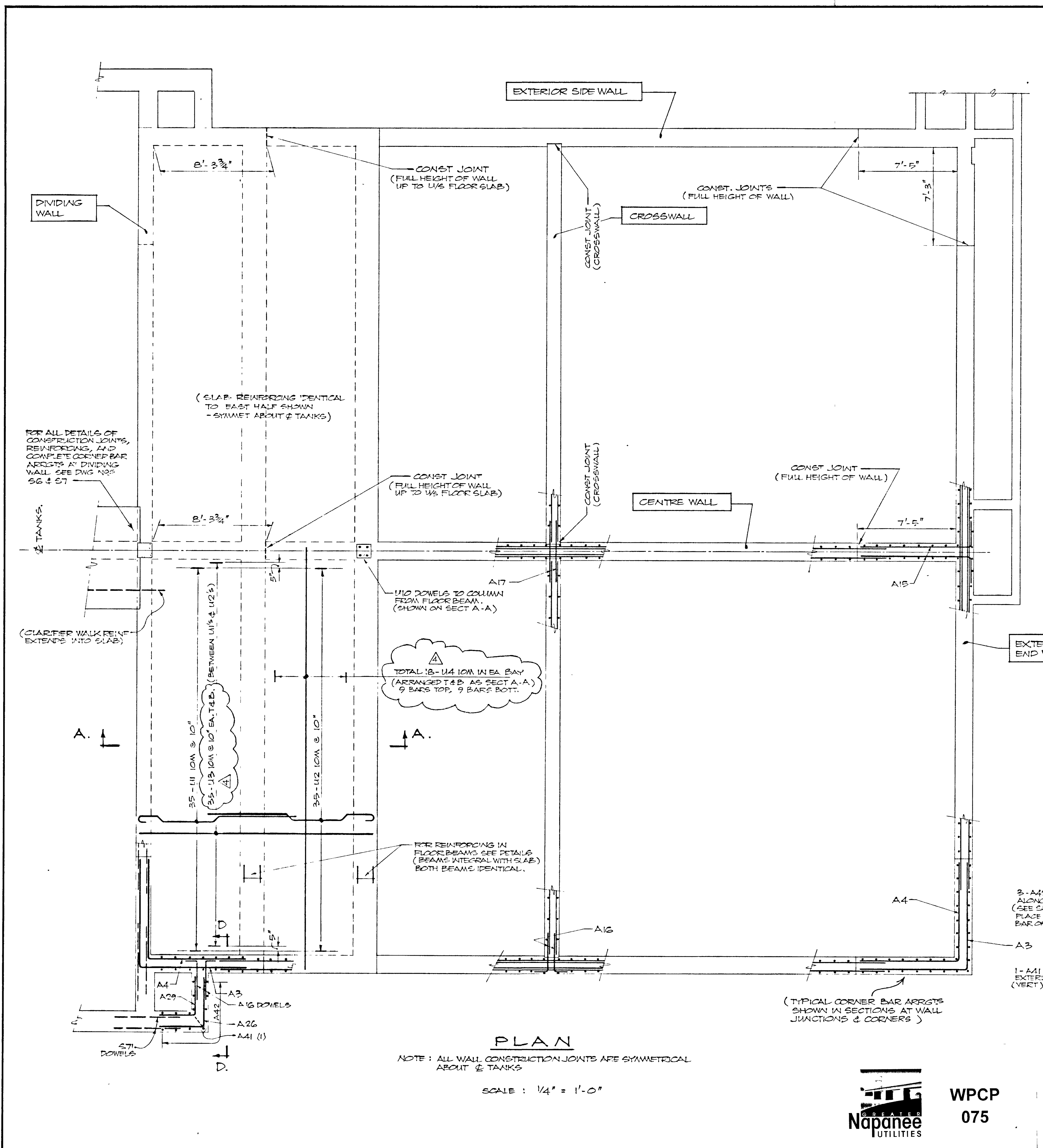
ELEVATION OF INTERIOR CENTRE WALL



NOTES:
 FOR PLAN OF AER TANKS SHOWING CORNER REINF ARRANGEMENTS AND WALL DESIGNATIONS SEE DWG NO S3
 FOR LOCATIONS OF VERTICAL CONSTRUCTION JOINTS IN WALLS SEE MAIN PLAN ON DRG NO S3 FOR CASTING SEQUENCE SEE DIAGRAM ON DWG NO S3

GREATER NAPANEE WATER SUPPLY & POLLUTION CONTROL BOARD					
76 EAST STREET, NAPANEE, ONTARIO K7R 1S3 (613) 354-8338 FAX (613) 354-2838					
PROJECT 1314 AERATION TANKS REINFORCING WALLS STAGE 2 SEWAGE TREATMENT PLANT					
APPROVED BY			SPECIFICATIONS		
DESIGNED BY	DATE	SCALE			
DRAWN BY	DWG NO	SCALE			

TOWN OF NAPANEE					
WATER POLLUTION CONTROL PLANT - STAGE 2 CONTRACT					
AERATION TANKS REINFORCING - WALLS					
AS-BUILT					
J. D. LEE ENGINEERING LIMITED					
CONSULTING ENGINEERS - KINGSTON BRANTFORD, ONT					
81-07-02	ADDENDUM #1	M.S.	SCALE	JOB NO	DATE
81-02-12	GENERAL	M.S.	1/4" = 1'-0"	1314	30 MAR 78
26 JUN 78	GENERAL	M.S.	DWN	DWG NO	SHEET
DATE	REVISION	CHK	QUANT	1209C	52
					3



THIS DRAWING IS APPROVED FOR CONSTRUCTION PURPOSES
By: [Signature] Date: 22.03.21 Job No: 1314
L. B. LEE ENGINEERING LIMITED

TOWN OF NAPANEE			
WATER POLLUTION CONTROL PLANT - STAGE 2 CONTRACT			
AERATION TANKS REINFORCING - WALL PLAN & BLOWER FLOOR			
DATE: 14.12.1978		SCALE: AS SHOWN	
DWG NO: 1209 C		JOB NO: 1314	
DATE: 30 JUN 78		DATE: 30 MAR 78	
DESIGNED BY: J.D.L.	CHECKED BY: M.S.	DATE: 1209 C	SHEET: S3
DATE: 30 JUN 78	REVISION: GENERAL	CHK: M.S.	QUANT: M.S.

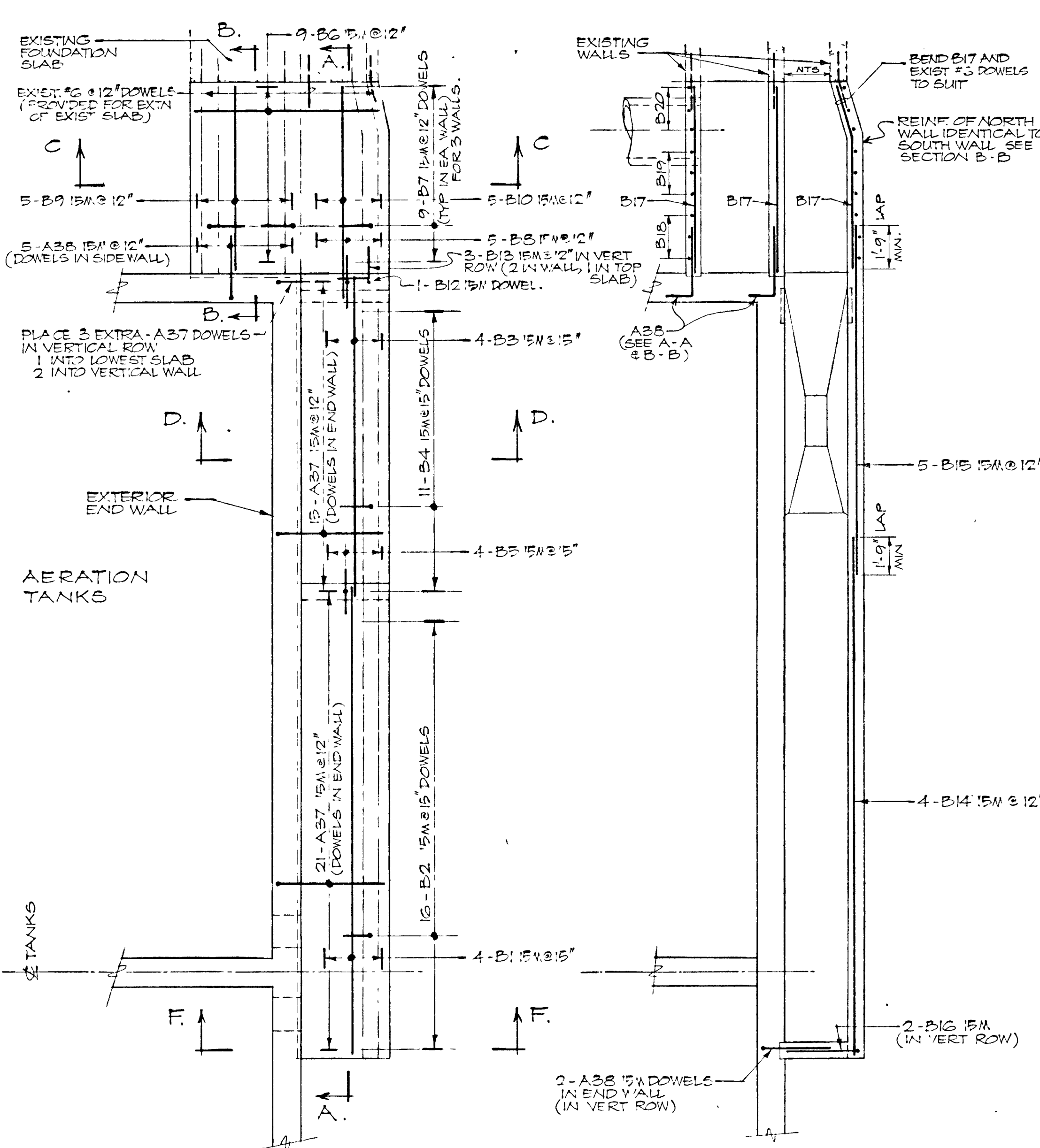
GREATER NAPANEE WATER SUPPLY & POLLUTION CONTROL BOARD
78 EAST STREET, NAPANEE, ONTARIO M7R 1S3
(613) 584-4338 FAX (613) 584-2658

PROJECT: 1514 AERATION TANKS REINFORCING
WALL PLAN & BLOWER FLOOR STAGE 2
SEWAGE TREATMENT PLANT

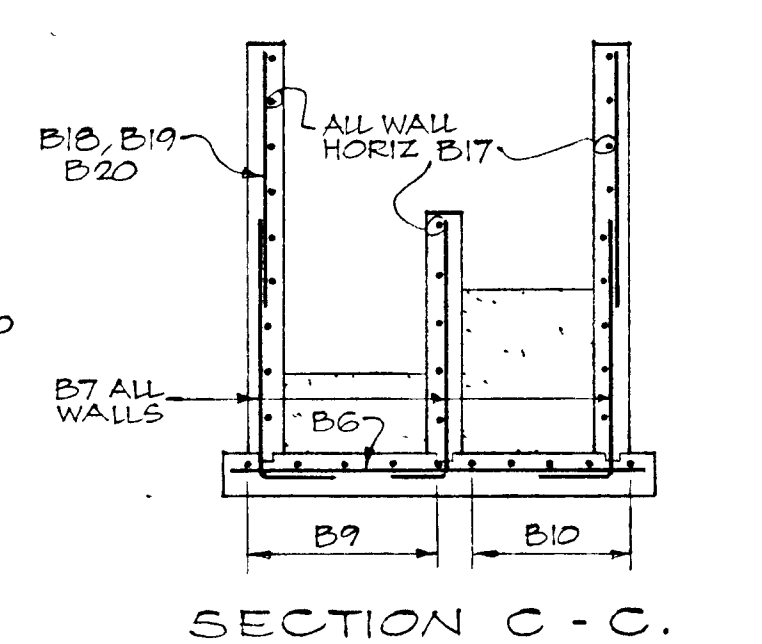
APPROVED BY: [Signature]
DESIGNED BY: [Signature]
DRAWN BY: [Signature]



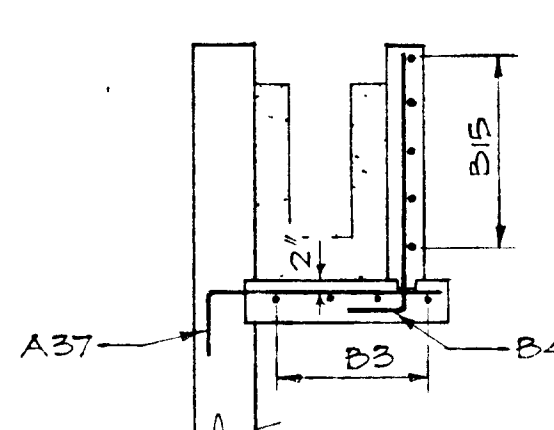
WPCP
075



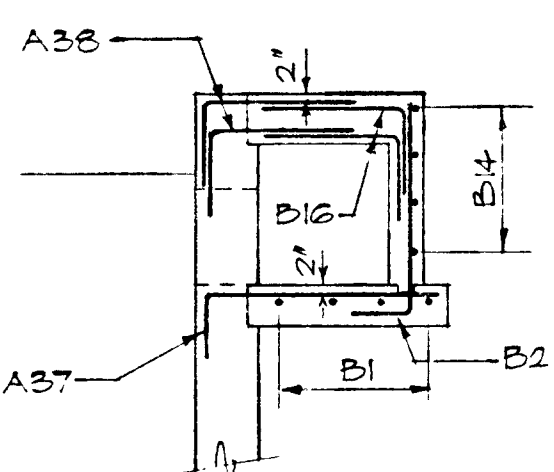
PLAN - FLOORSLAB. PLAN - WALLS.



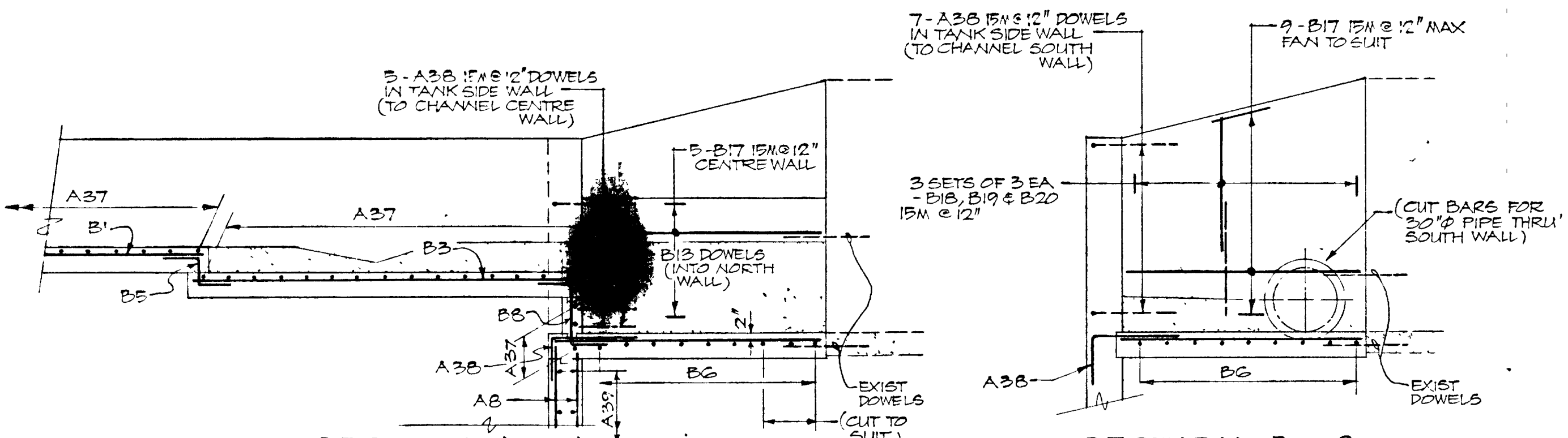
SECTION C - C.



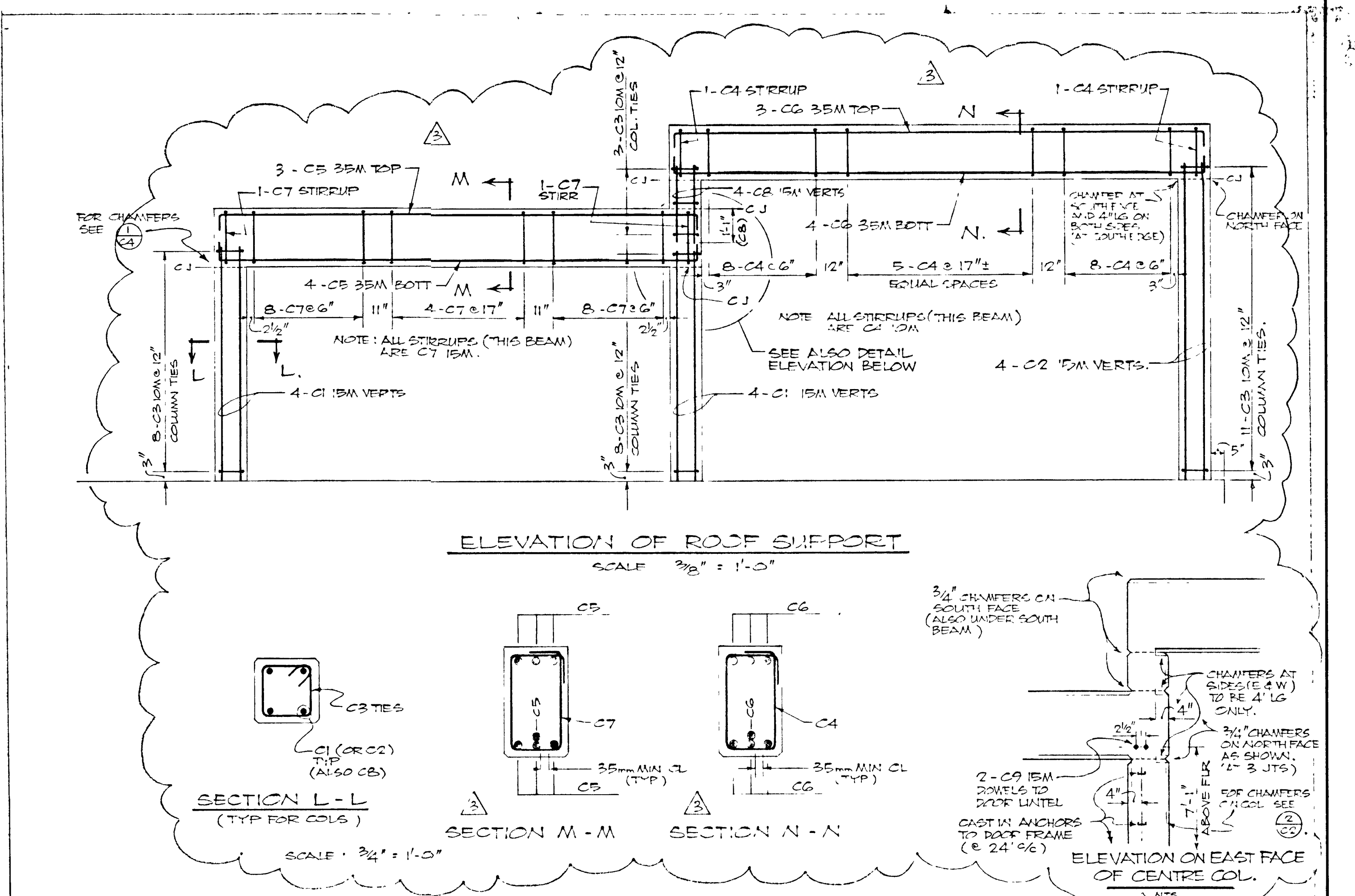
SECTION D - D.



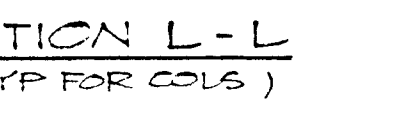
SECTION F - F.



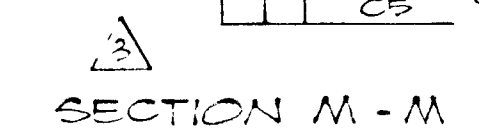
REINF. OF INFLUENT CHANNEL. SCALE : 1/4" = 1'-0"



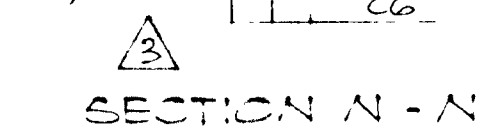
ELEVATION OF ROOF SUPPORT SCALE 3/16" = 1'-0"



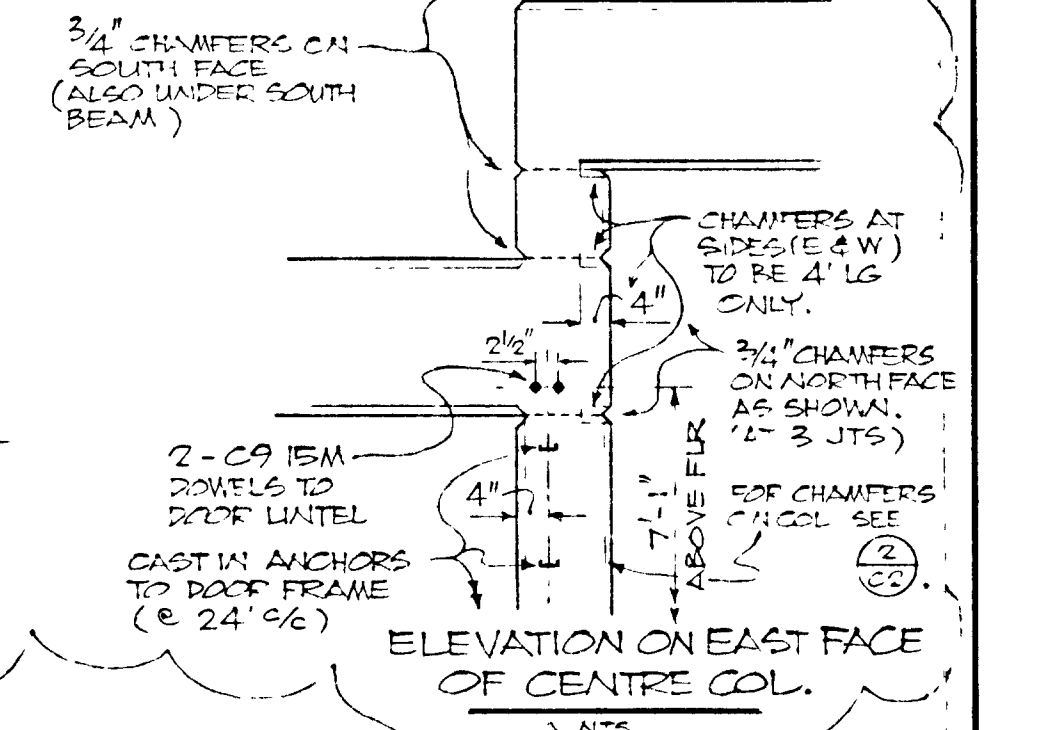
SECTION L - L (TYP FOR COLS) SCALE 3/4" = 1'-0"



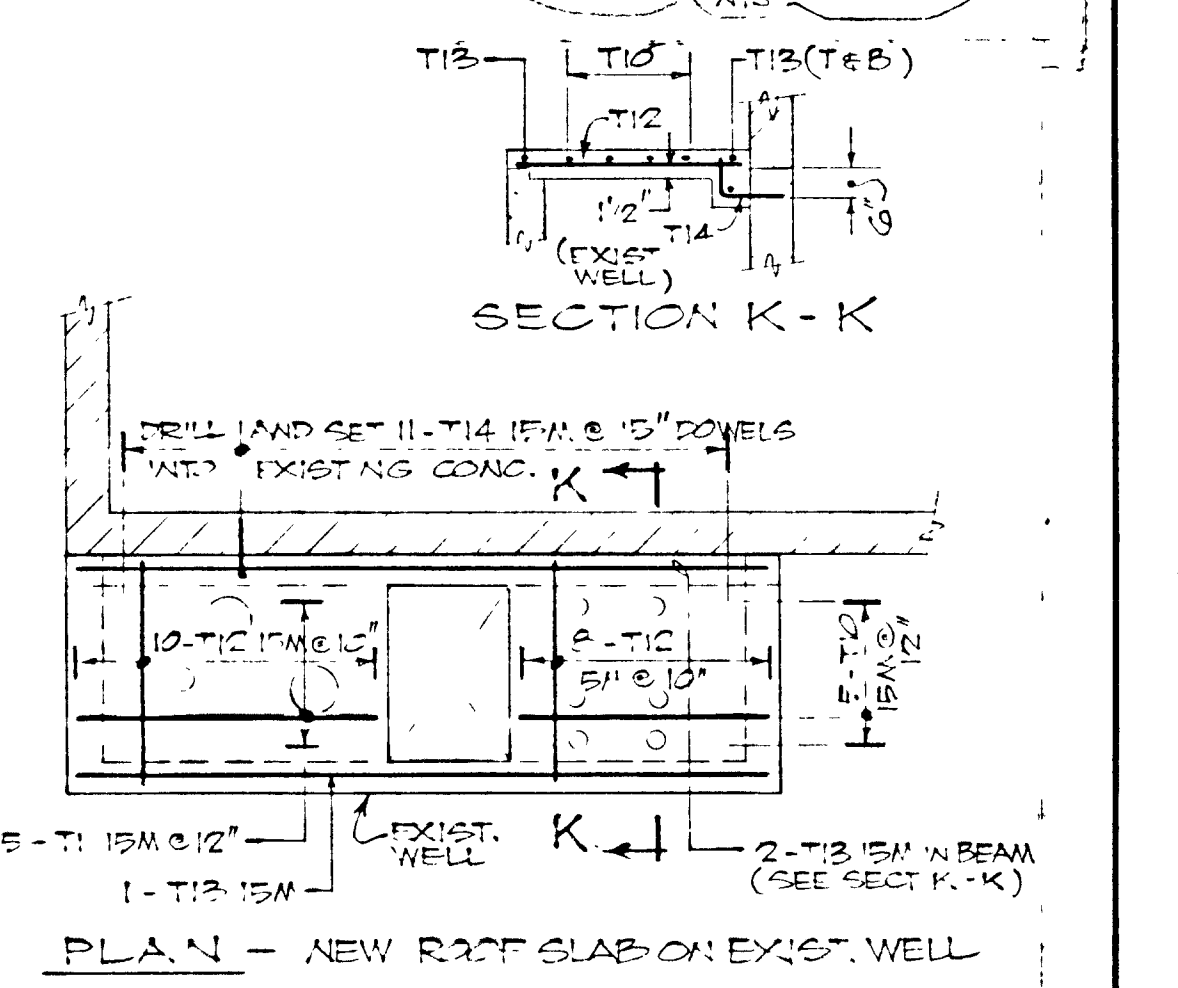
SECTION M - M



SECTION N - N



ELEVATION ON EAST FACE OF CENTRE COL.



PLAN - NEW ROOF SLAB ON EXIST. WELL. WET WELL AT SLUDGE PUMP BUILDING. SCALE: (TYP) 1/4" = 1'-0"

NEW REINFORCING AT EXIST. BUILDING FOR ADDITIONAL REINF REQUIRED AT SLUDGE PUMP BUILDING (IN NEW FOUNDATION WALL FOOTING) SEE BUILDING RENOVATION DWG NO C10

Napanee UTILITIES
WPCP 076

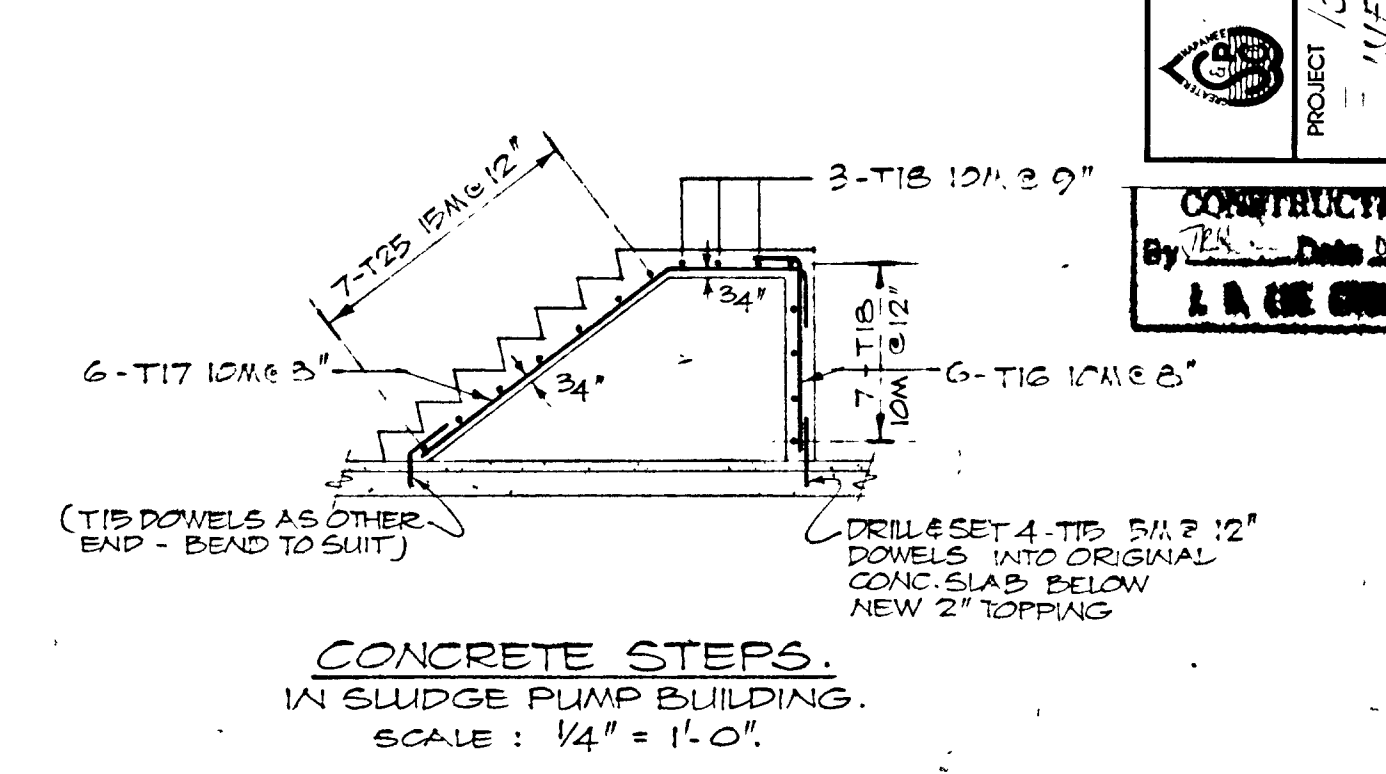
GREATER NAPANEE WATER SUPPLY & POLLUTION CONTROL BOARD
75 EAST STREET, NAPANEE, ONTARIO N7R 1S8
(613) 946-2208 FAX (613) 941-2808

PROJECT 1514 AERATION TANKS REINFORCING INFLUENT CHANNEL & ROOF SUPPORT STAGE 2 SEWAGE TREATMENT PLANT

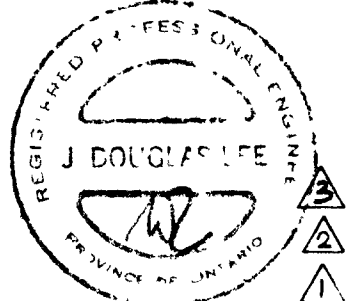
APPROVED BY: [Signature]
DESIGNED BY: AS SHOWN
DRAWN BY: M.P.C.O. - 1978/1 - 172-1879, 43

DATE: MAR 1978
SCALE: AS SHOWN

CONSTRUCTION PURPOSES
By: Date 21.02.78 Job No. 1514
J. A. GEE ENGINEERING LIMITED



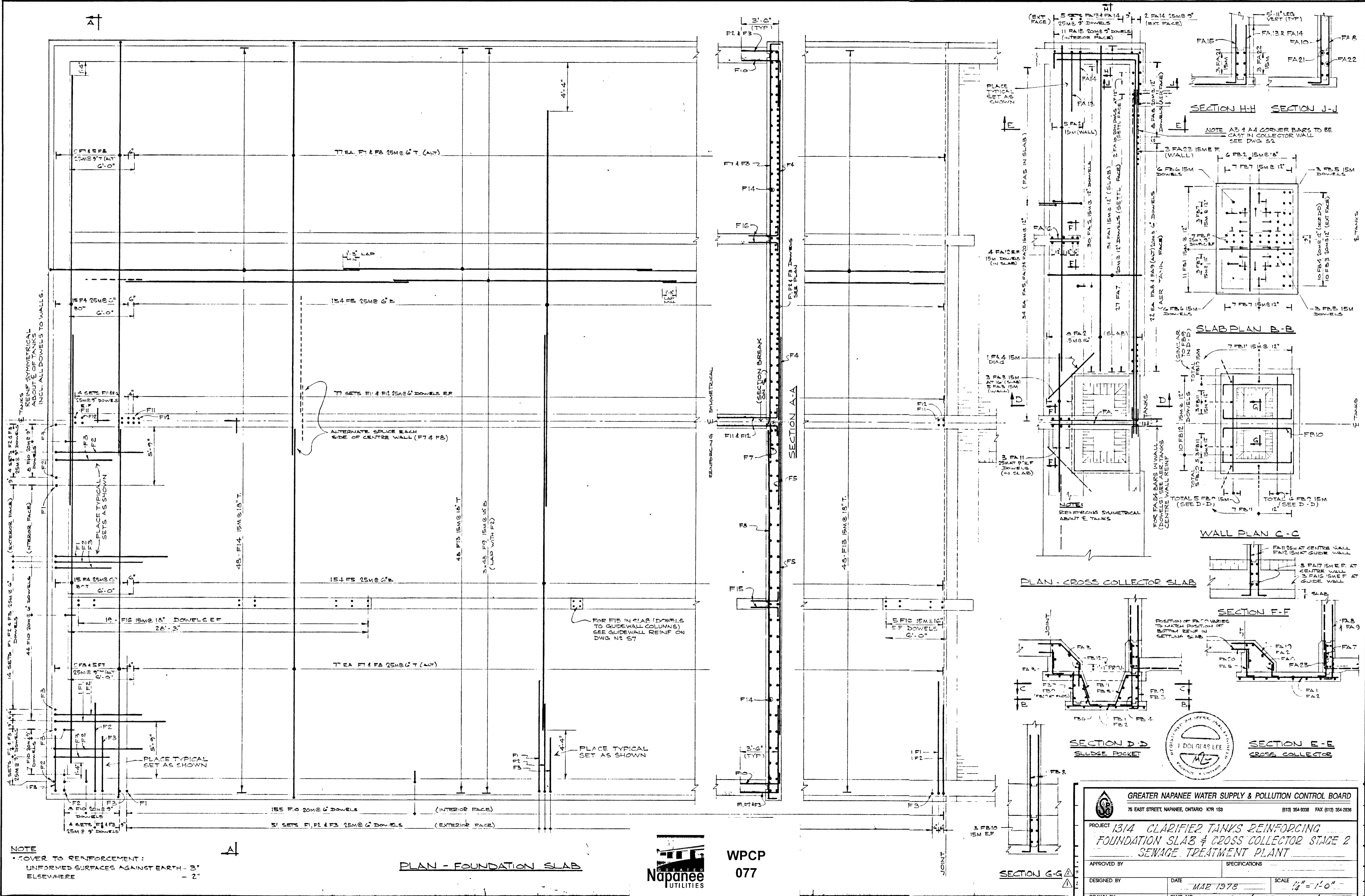
CONCRETE STEPS. IN SLUDGE PUMP BUILDING. SCALE: 1/4" = 1'-0"



AS-BUILT		J D LEE ENGINEERING LIMITED		
81.08.05	CHANGE ORDER #1	M.S.	CONSULTING ENGINEERS - KINGSTON BRANTFORD, ONT.	
81.08.12	GENERAL	M.S.		SCALE AS SHOWN
24.JUN.78	GENERAL	M.S.	DWN	J.B.
DATE	REVISION	CHK	QUANT	REVISION

TOWN OF NAPANEE
WATER POLLUTION CONTROL PLANT - STAGE 2 CONTRACT
AERATION TANKS REINFORCING - INFLUENT CHANNEL & ROOF SUPPORT

JOB NO 1314 DATE 30/MAR/78
DWG NO 1209C SHEET 54

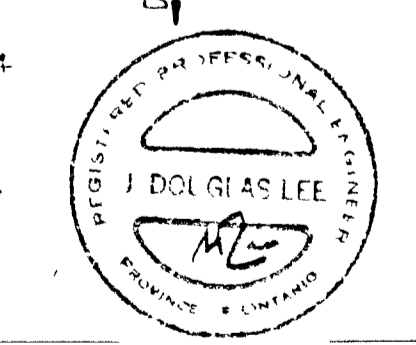


NOTE
 COVER TO REINFORCEMENT:
 UNFORMED SURFACES AGAINST EARTH - 3"
 ELSEWHERE - 2"

PLAN - FOUNDATION SLAB



WPCP
077



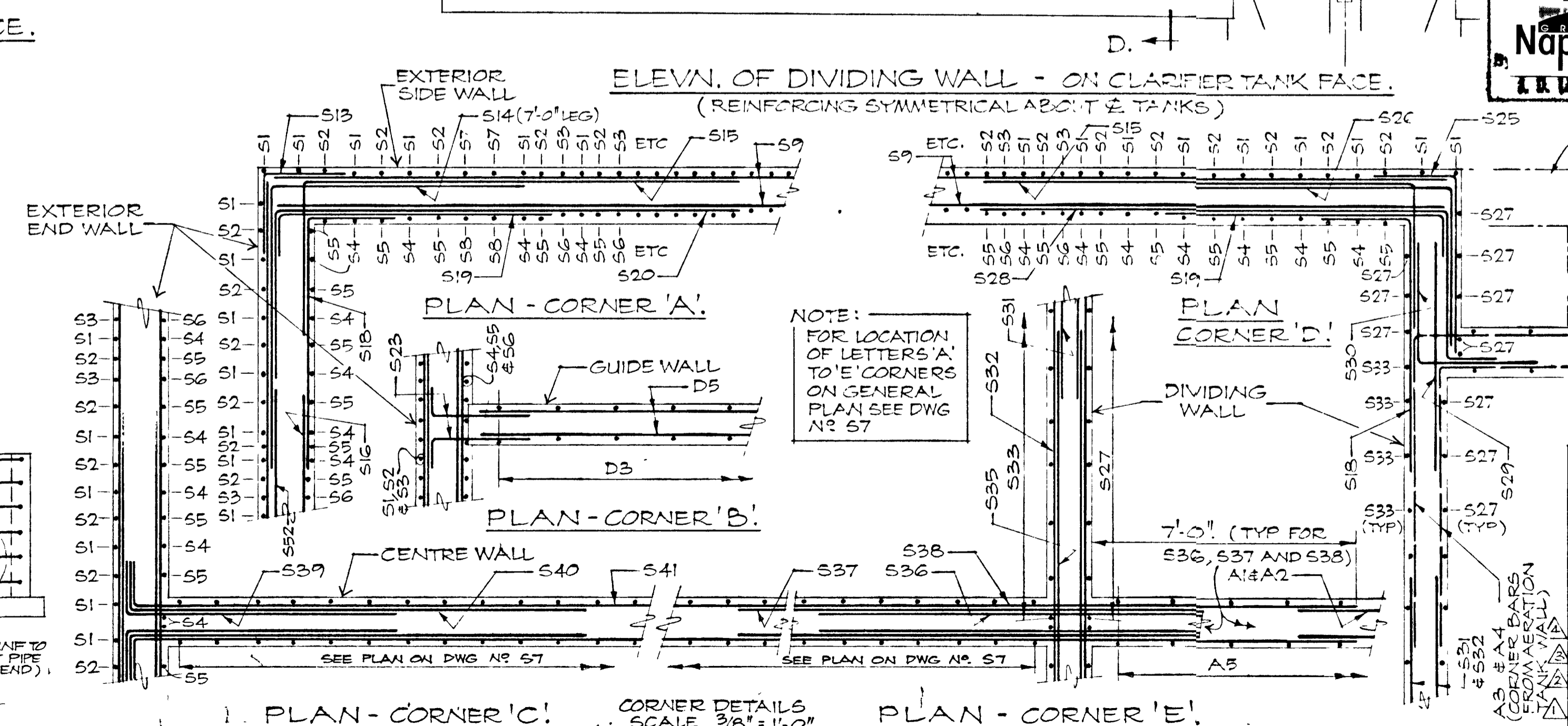
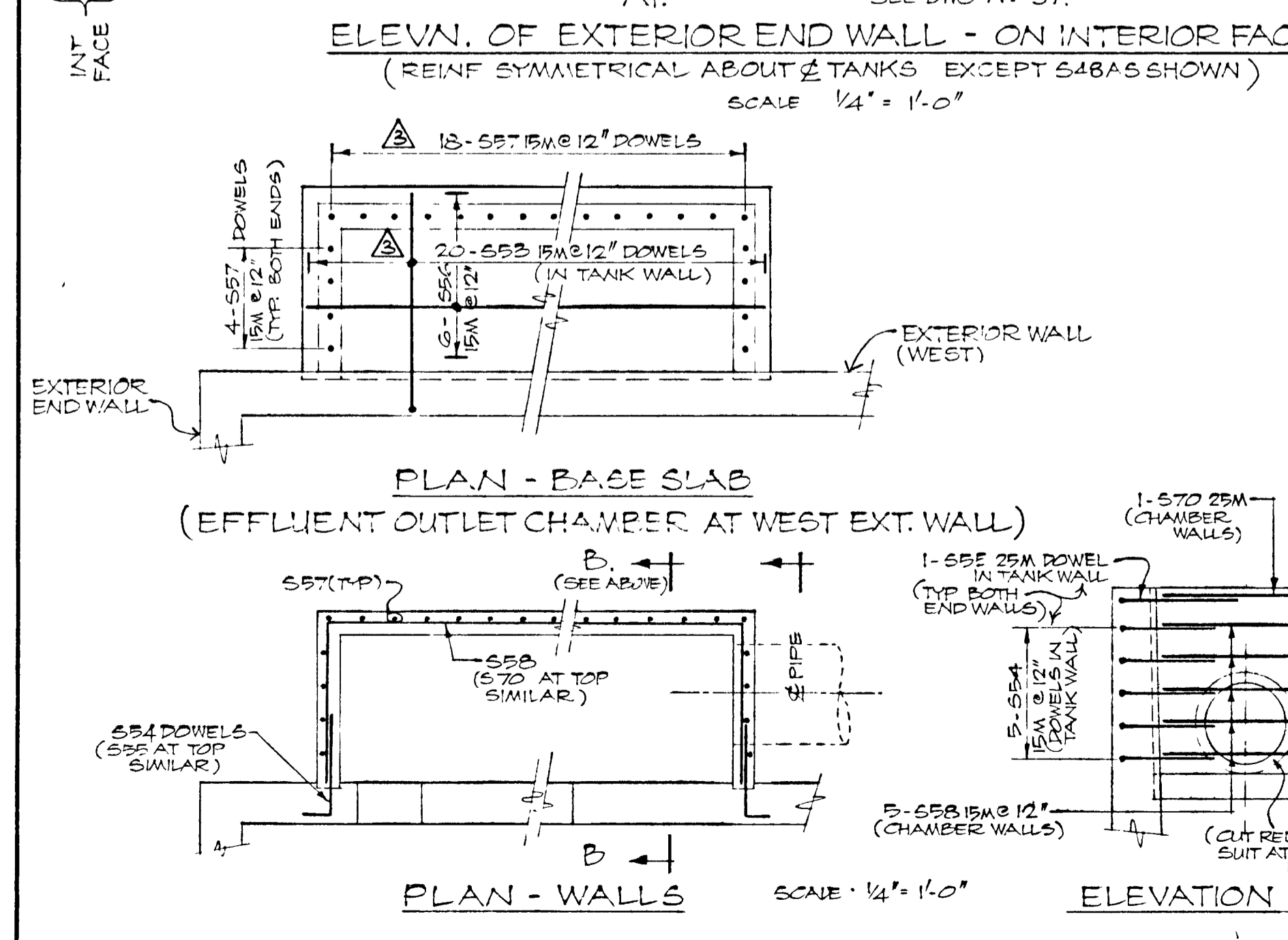
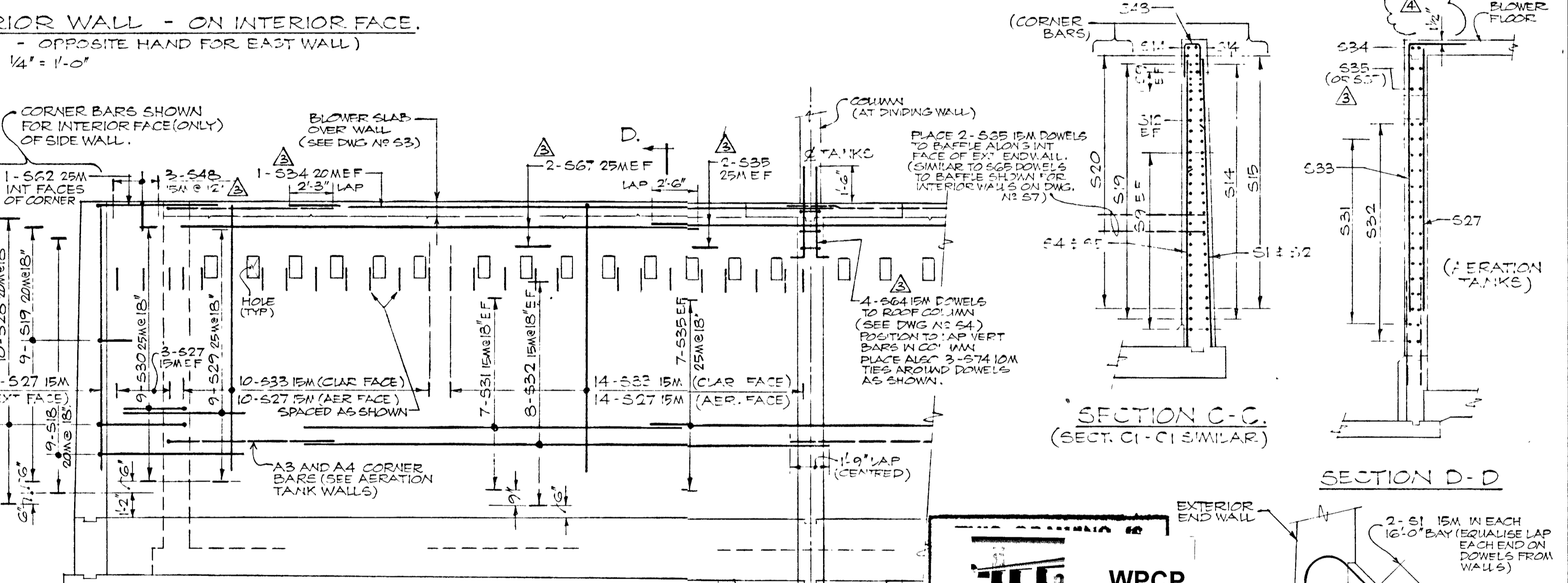
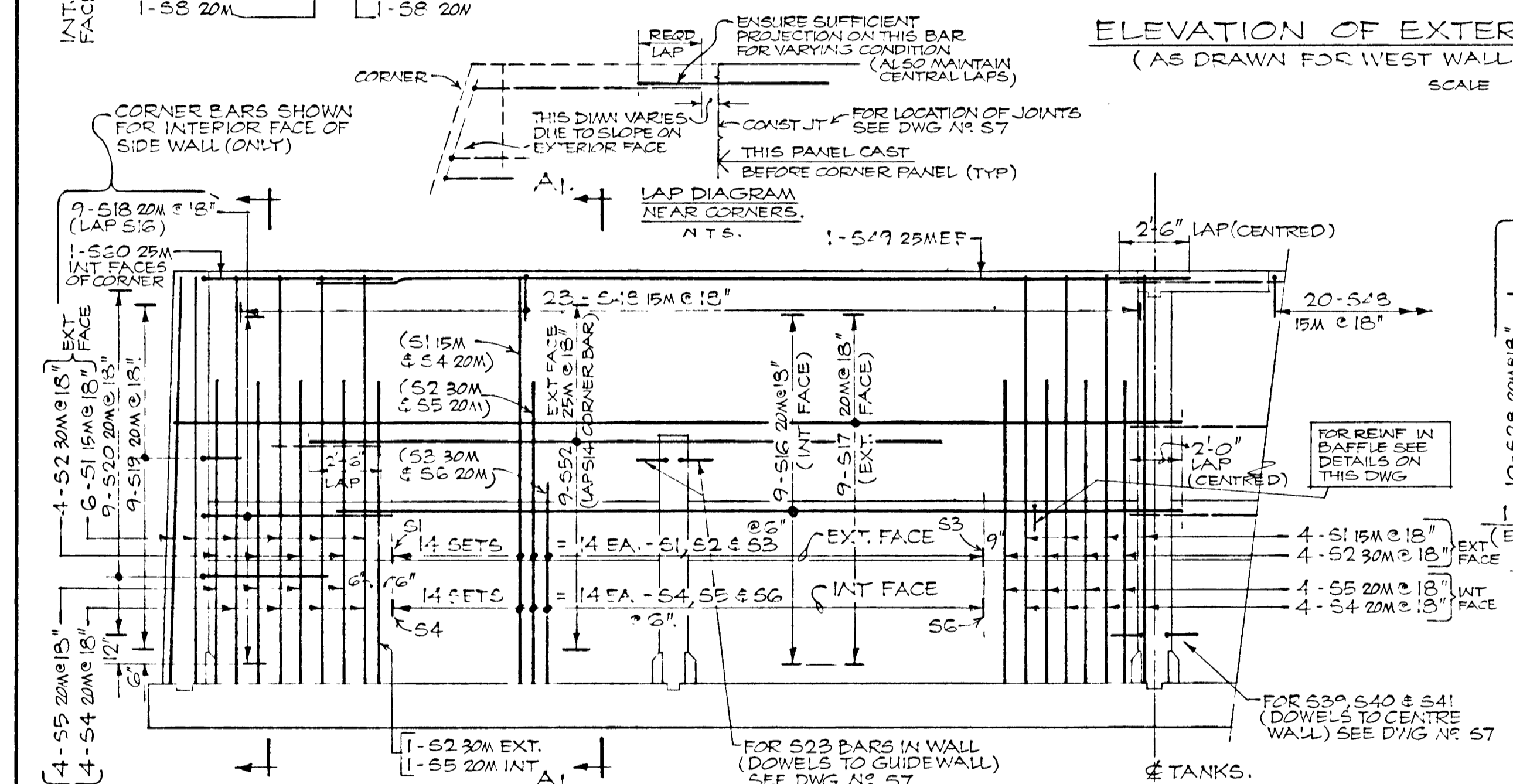
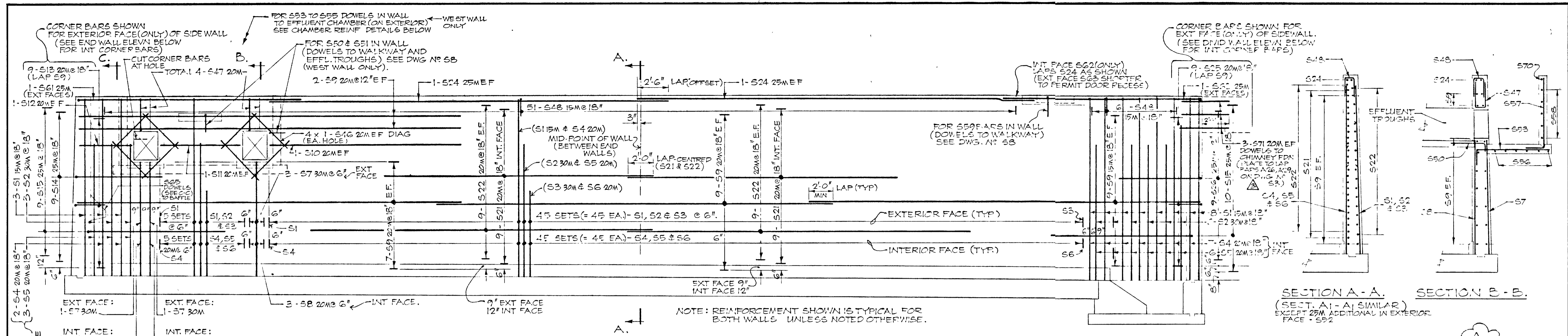
GREATER NAPANEE WATER SUPPLY & POLLUTION CONTROL BOARD
 75 EAST STREET, NAPANEE, ONTARIO K7R 1S3 (613) 354-9338 FAX (613) 354-2838

PROJECT: 13/4 CLARIFIER TANKS REINFORCING FOUNDATION SLAB & CROSS COLLECTOR STAGE 2 SEWAGE TREATMENT PLANT

APPROVED BY: _____ SPECIFICATIONS

DESIGNED BY: _____ DATE: MAR 1978 SCALE: 1/4" = 1'-0"

DRAWN BY: _____ DWG NO: WPCP-1978/1-ST2-Nº 30/43



WPCP 078
Napanee Utilities
A. B. C. D. E. F. G. H. I. J. K. L. M. N. O. P. Q. R. S. T. U. V. W. X. Y. Z.

REIN. IN CONC BAFFLE
(ON EXTERIOR END WALL)

NOTE:
FOR PLAN OF CLAR TANKS SHOWING CENTRE WALL AND WALL DESIGNATIONS SEE DWG NO 57
FOR LOCATIONS OF VERTICAL CONST. JOINTS IN WALLS SEE MAIN PLAN ON DWG NO 57. FOR CASTING SEQUENCE SEE DIAGRAM ON DWG NO 53

AS-BUILT

GREATER NAPANEE WATER SUPPLY & POLLUTION CONTROL BOARD
75 EAST STREET, NAPANEE, ONTARIO K7R 1S3 (613) 354-9338 FAX (613) 354-2838

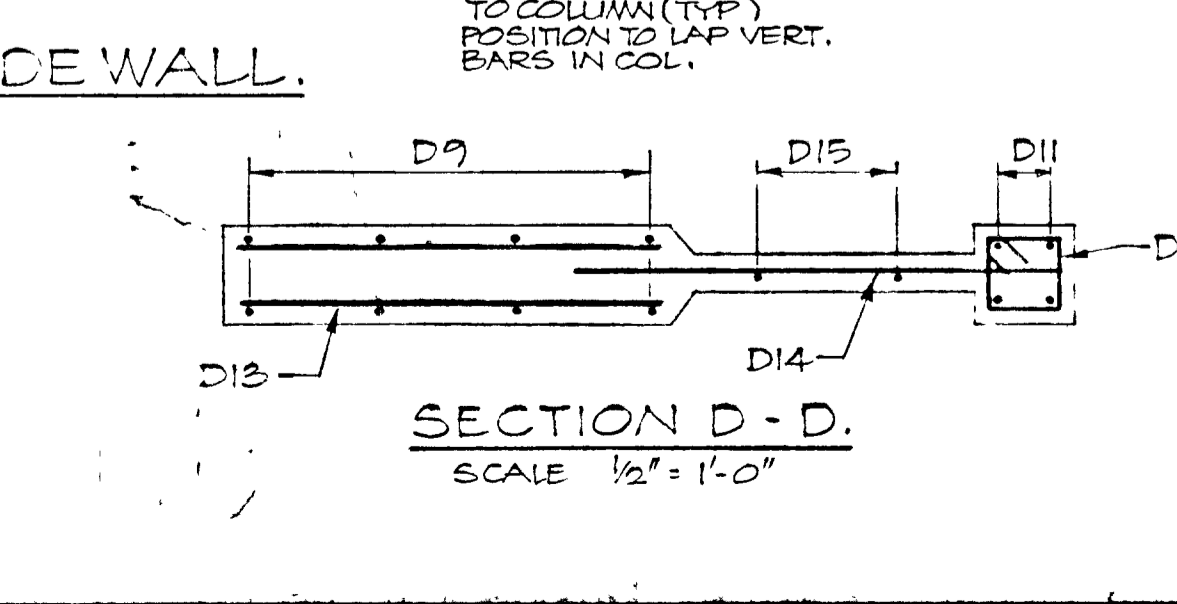
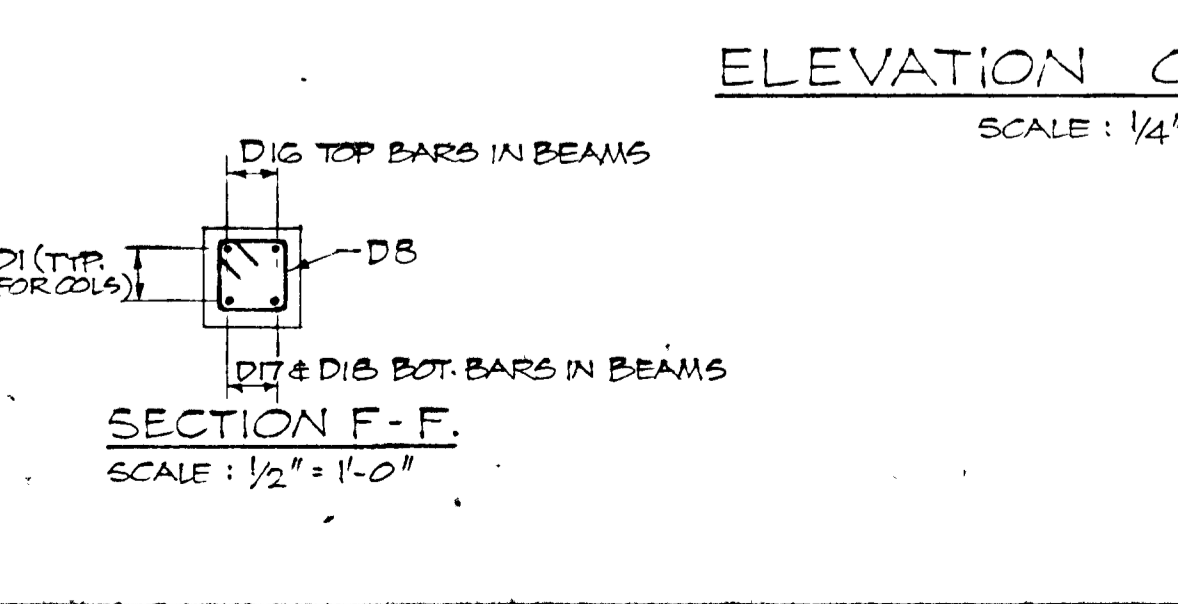
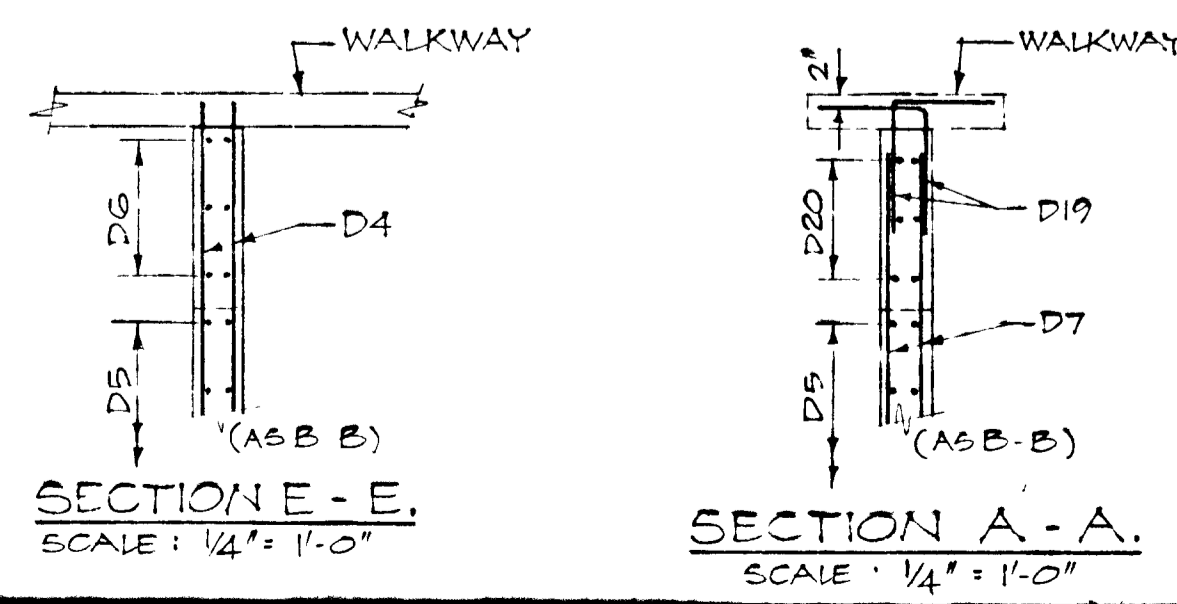
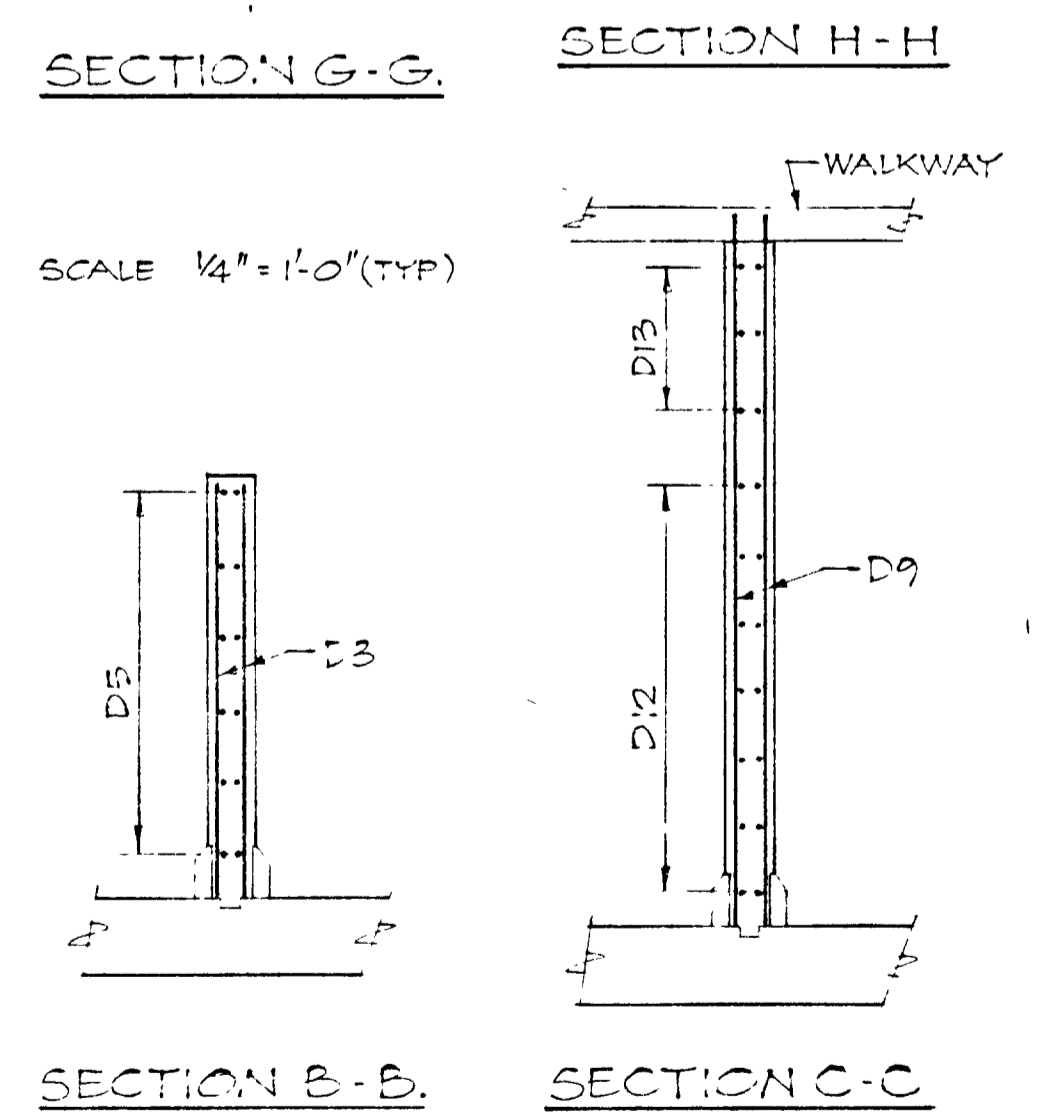
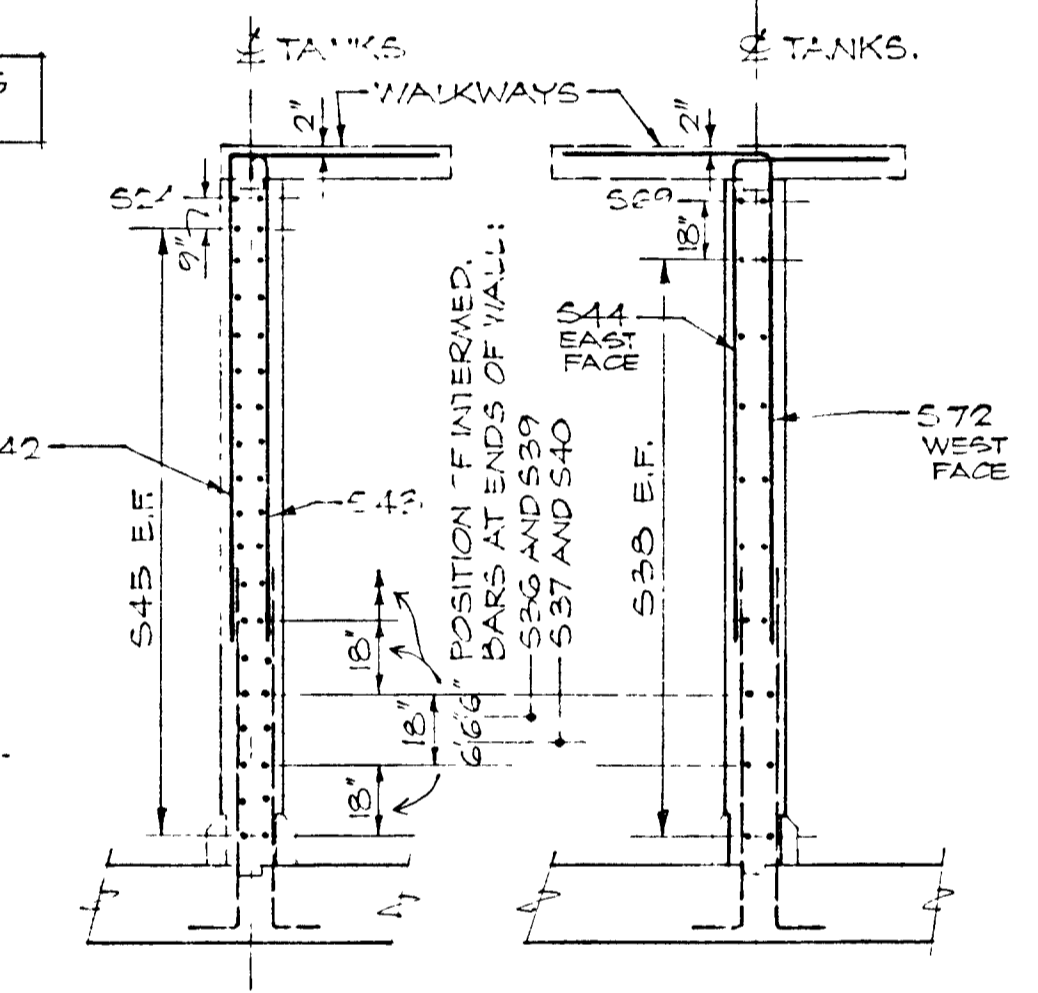
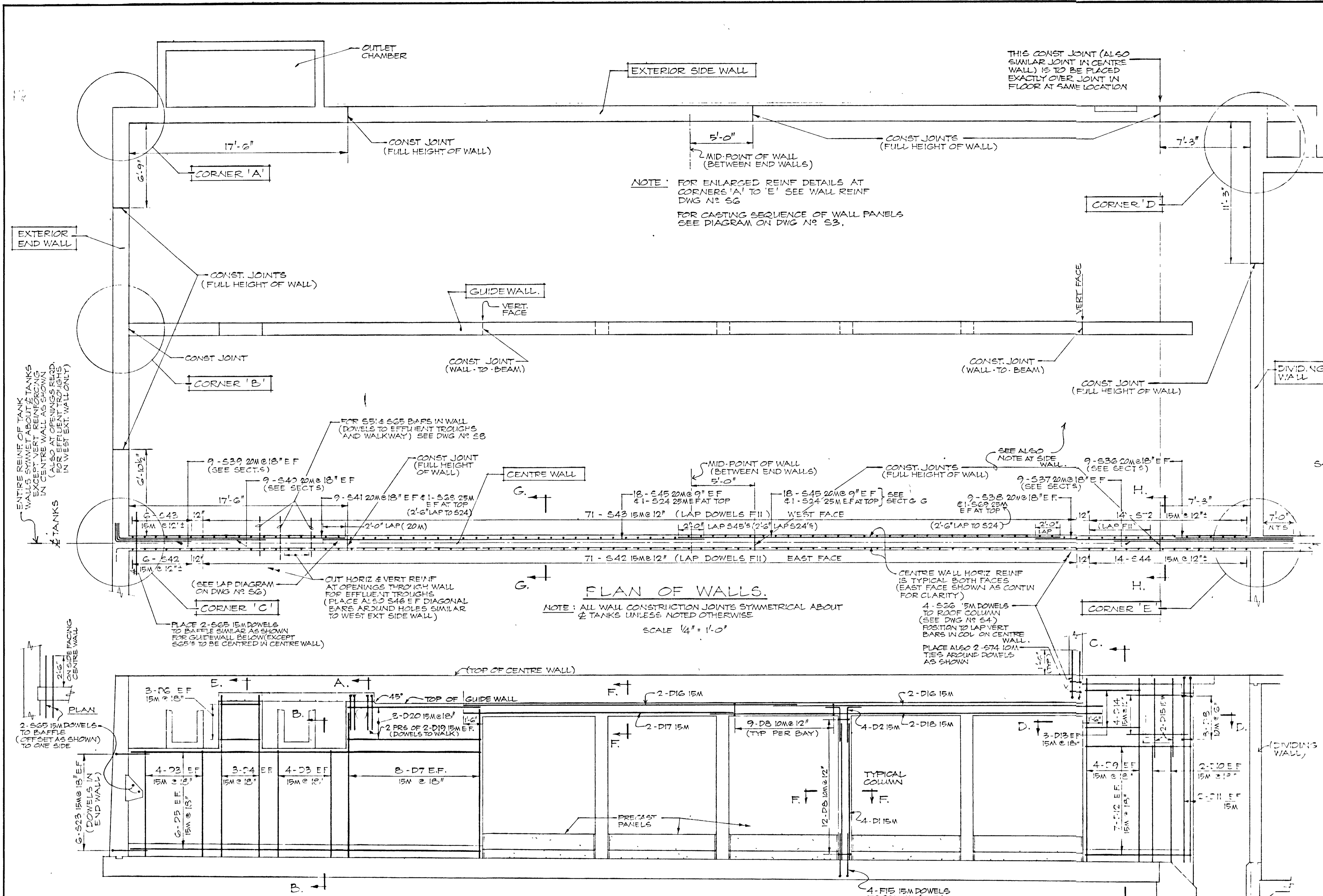
PROJECT 1314 CLARIFIED TANKS REINFORCING EXTERIOR WALLS STAGE 2 SEWAGE TREATMENT PLANT

APPROVED BY _____ SPECIFICATIONS _____

DESIGNED BY _____ DATE MAE 1978 SCALE AS SHOWN

DRAWN BY _____ DWG NO WPCP-1978/A-STR-NO 31/43

THIS DRAWING IS APPROVED FOR CONSTRUCTION PURPOSES
 By: [Signature] Date: 25.10.80 Job No. 1314
I. G. LEE ENGINEERING LIMITED



ELEVATION OF GUIDE WALL.
 SCALE: 1/4" = 1'-0"

NOTE: FOR ENLARGED REINF DETAILS AT CORNERS 'A' TO 'E' SEE WALL REINF DWG NO. 56
 FOR CASTING SEQUENCE OF WALL PANELS SEE DIAGRAM ON DWG NO. 53.

PLAN OF WALLS.
 NOTE: ALL WALL CONSTRUCTION JOINTS SYMMETRICAL ABOUT 2 TANKS UNLESS NOTED OTHERWISE.
 SCALE 1/4" = 1'-0"

WPCP 079



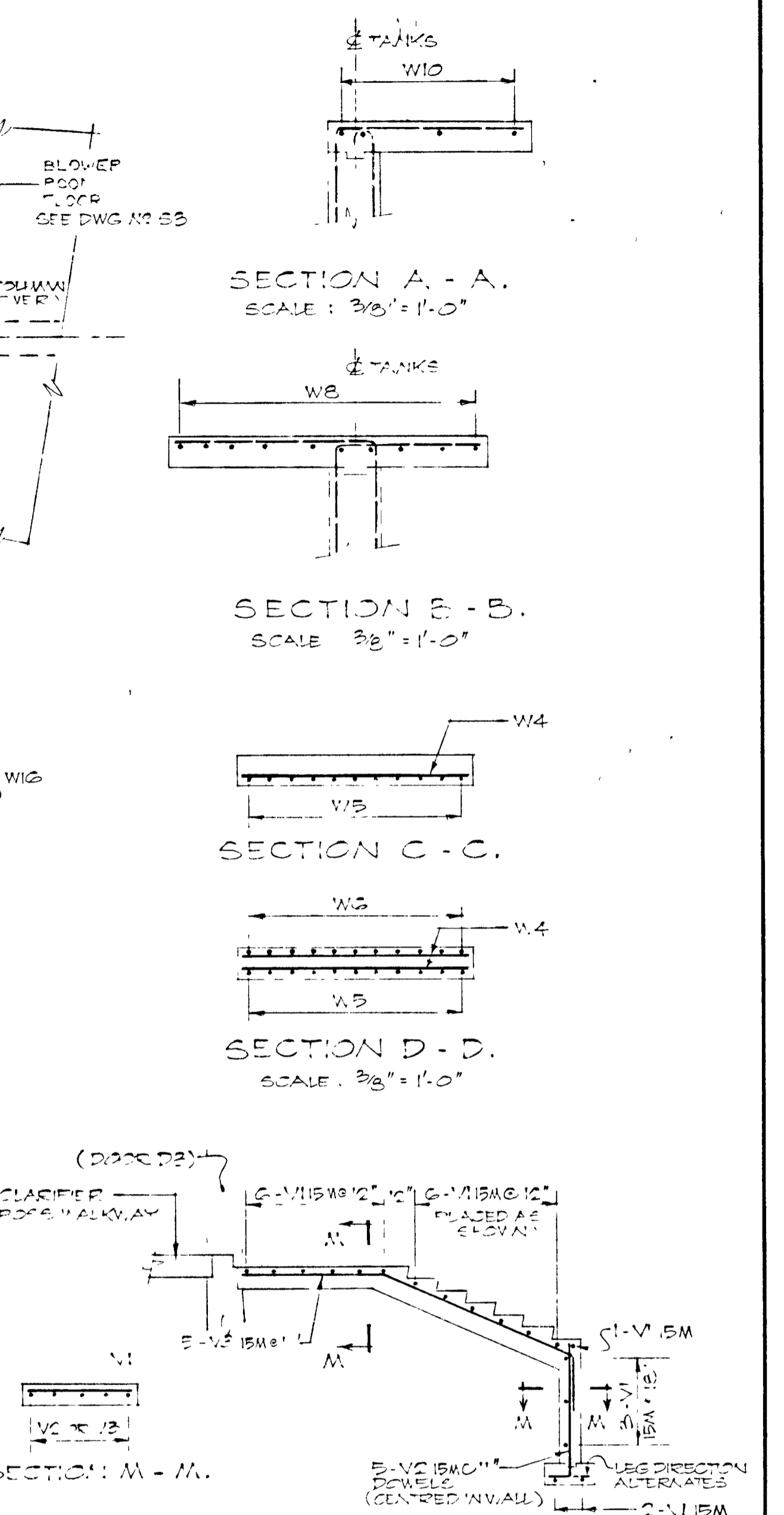
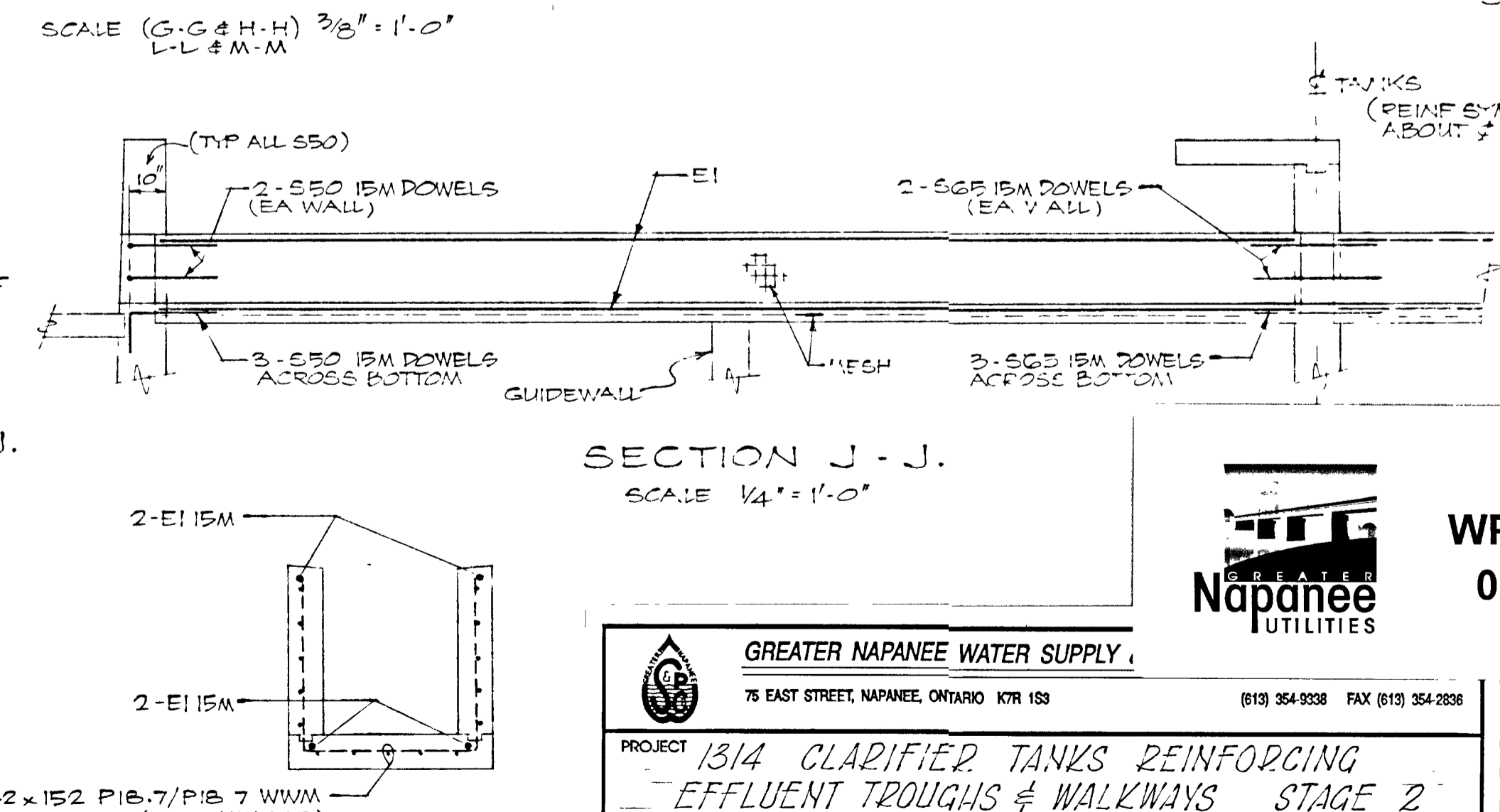
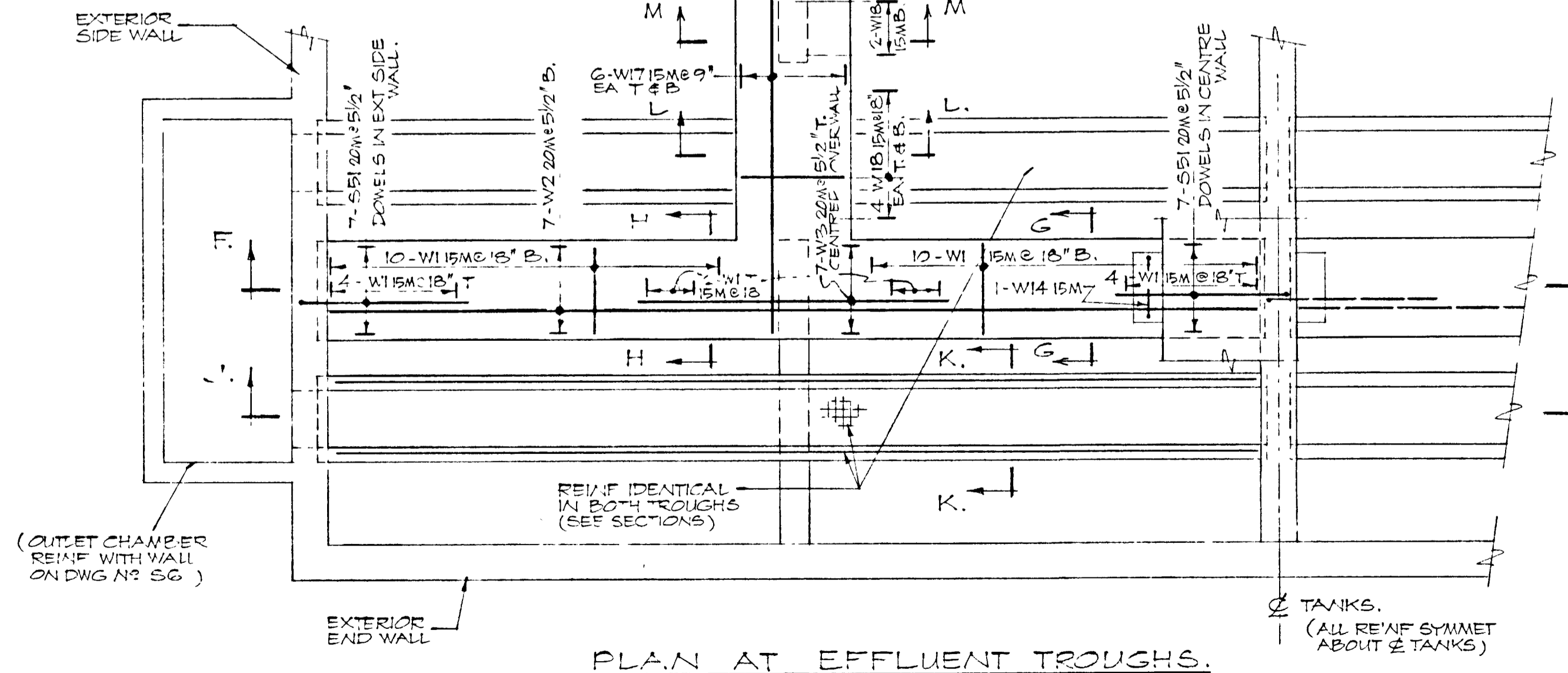
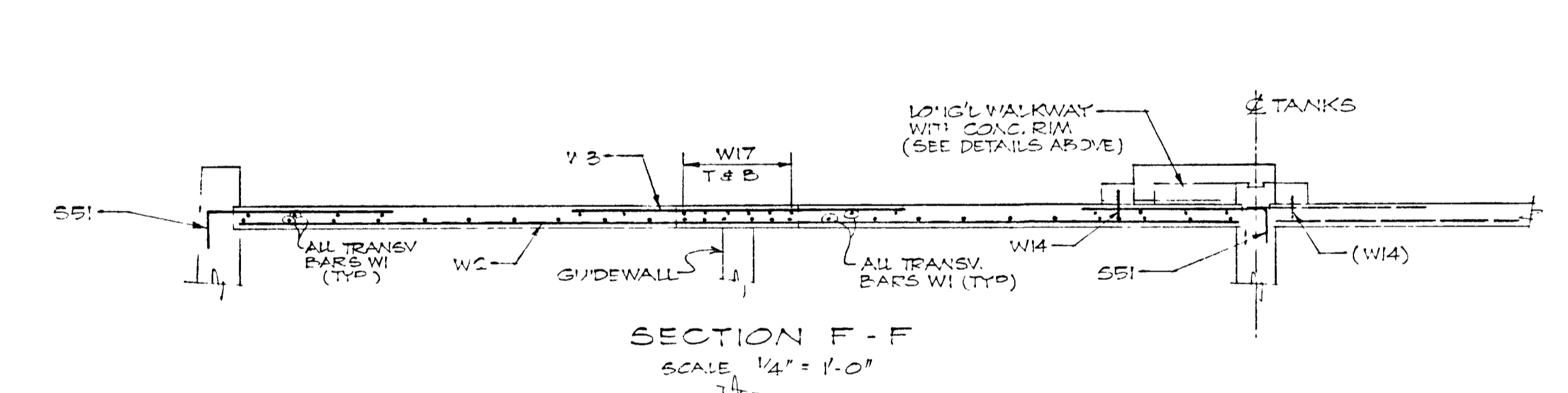
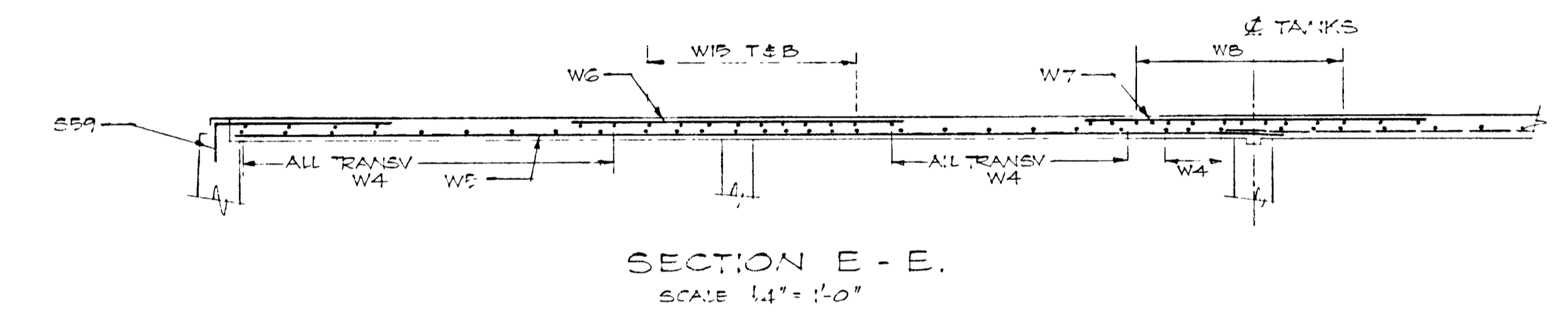
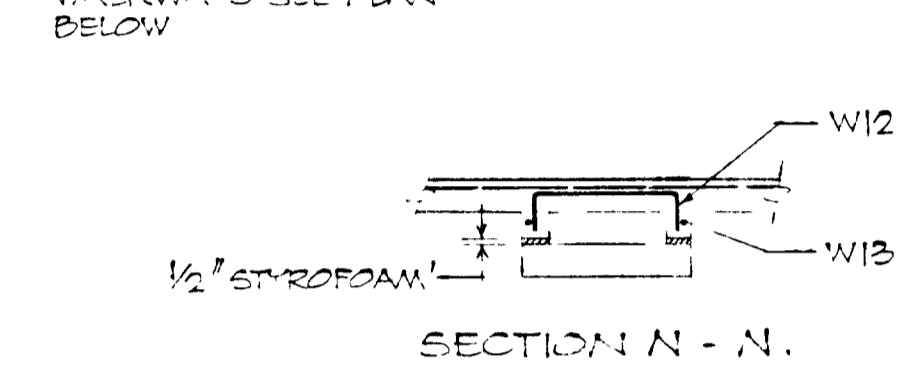
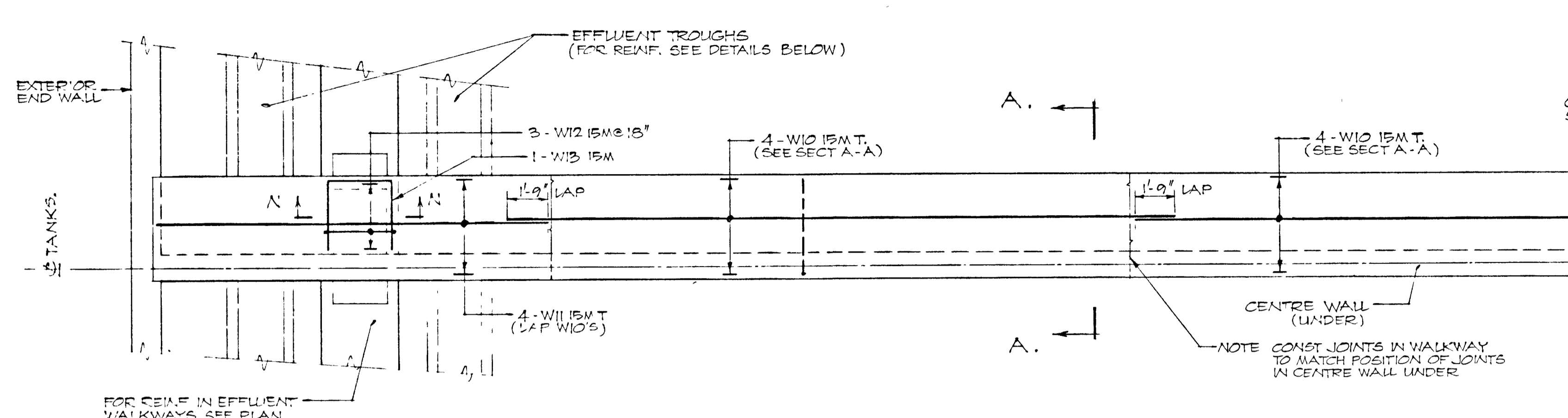
GREATER NAPANEE WATER SUPPLY & POLLUTION CONTROL BOARD
 75 EAST STREET, NAPANEE, ONTARIO K7R 1S3 (813) 354-9338 FAX (813) 354-2838

PROJECT: 1314 - CLARIFIED TANKS REINFORCING INTERIOR WALLS & WALL PLAN - STAGE 2 - SEWAGE TREATMENT PLANT

APPROVED BY: [Signature] SPECIFICATIONS

DESIGNED BY: DATE: MAR 1978 SCALE: AS SHOWN

DRAWN BY: DWG NO: WPCP-1778/1-S-2-NP 32/43



WPCP 080

GREATER NAPANEE WATER SUPPLY
75 EAST STREET, NAPANEE, ONTARIO K7R 1S3 (613) 354-9338 FAX (613) 354-2838

PROJECT: 1314 CLARIFIER TANKS REINFORCING EFFLUENT TROUGHS & WALKWAYS STAGE 2 SEWAGE TREATMENT PLANT

APPROVED BY: _____ SPECIFICATIONS: _____

DESIGNED BY: _____ DATE: MAR 1978 SCALE: AS SHOWN

DRAWN BY: _____ DWG NO: WPCP-1978/1-ST2-NO 23/43

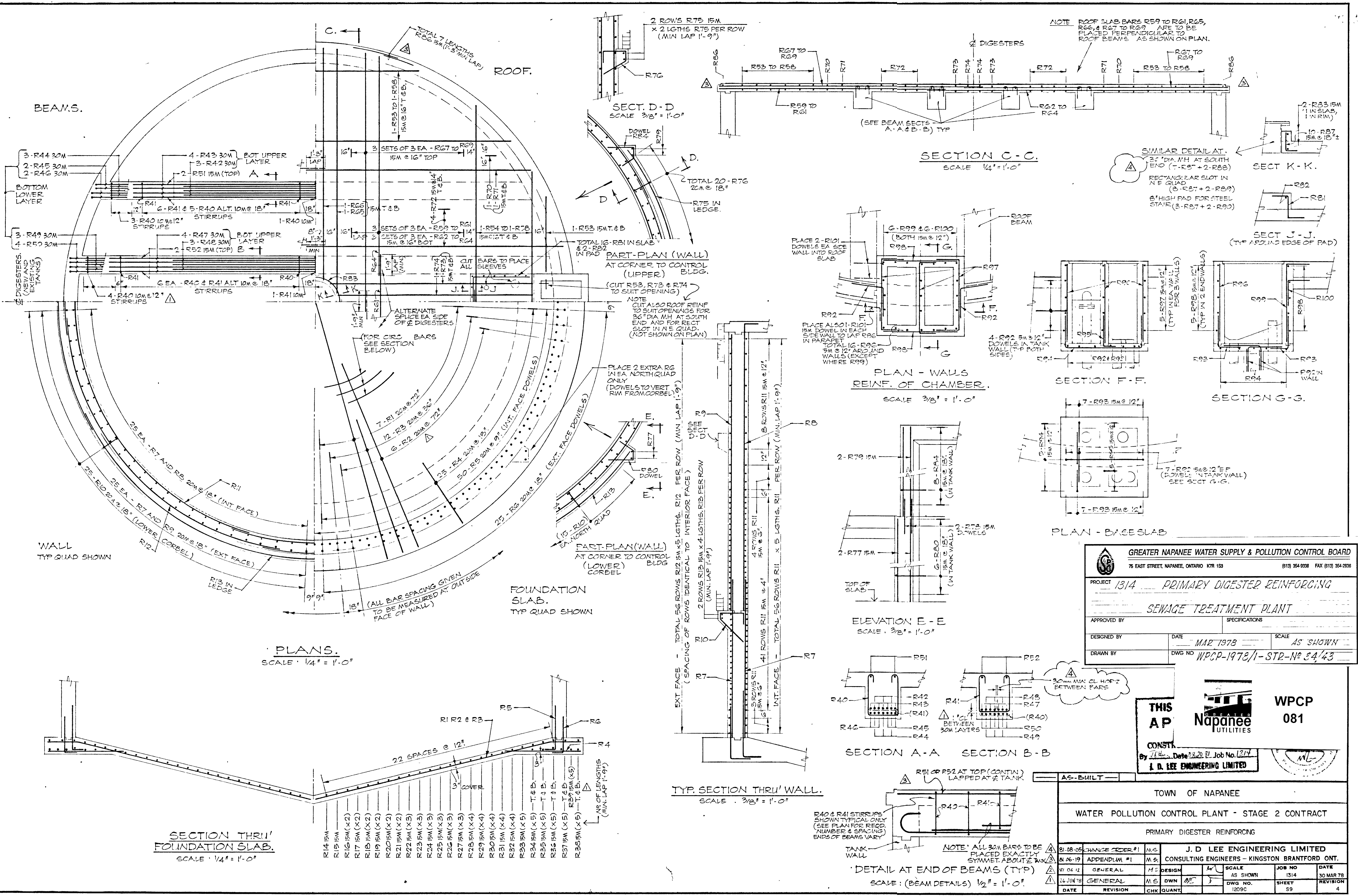
TOWN OF NAPANEE

WATER POLLUTION CONTROL PLANT - STAGE 2 CONTRACT

CLARIFIER TANKS REINFORCING - EFFLUENT TROUGHS AND WALKWAYS

J. D. LEE ENGINEERING LIMITED
CONSULTING ENGINEERS - KINGSTON BRANTFORD, ONT

AS-BUILT	DESIGN	SCALE AS SHOWN	JOB NO 1314	DATE 30 MAR 78
06 12 GENERAL	AS	SCALE AS SHOWN	JOB NO 1314	DATE 30 MAR 78
1 JUN 78 EFFLUENT WALKWAY REINFORCING & STEPS	M.S	DWN	DWG NO 1209C	SHEET 58
DATE	REVISION	CHK	QUANT	REVISION 2



GREATER NAPANEE WATER SUPPLY & POLLUTION CONTROL BOARD
 75 EAST STREET, NAPANEE, ONTARIO K7R 1S3 (613) 254-9338 FAX (613) 254-2838

PROJECT: 1314 PRIMARY DIGESTER REINFORCING
 SEWAGE TREATMENT PLANT

APPROVED BY: _____ SPECIFICATIONS: _____
 DESIGNED BY: _____ DATE: MAR 1978 SCALE: AS SHOWN
 DRAWN BY: _____ DWG NO: WPCP-1978/1-STB-No 24/43

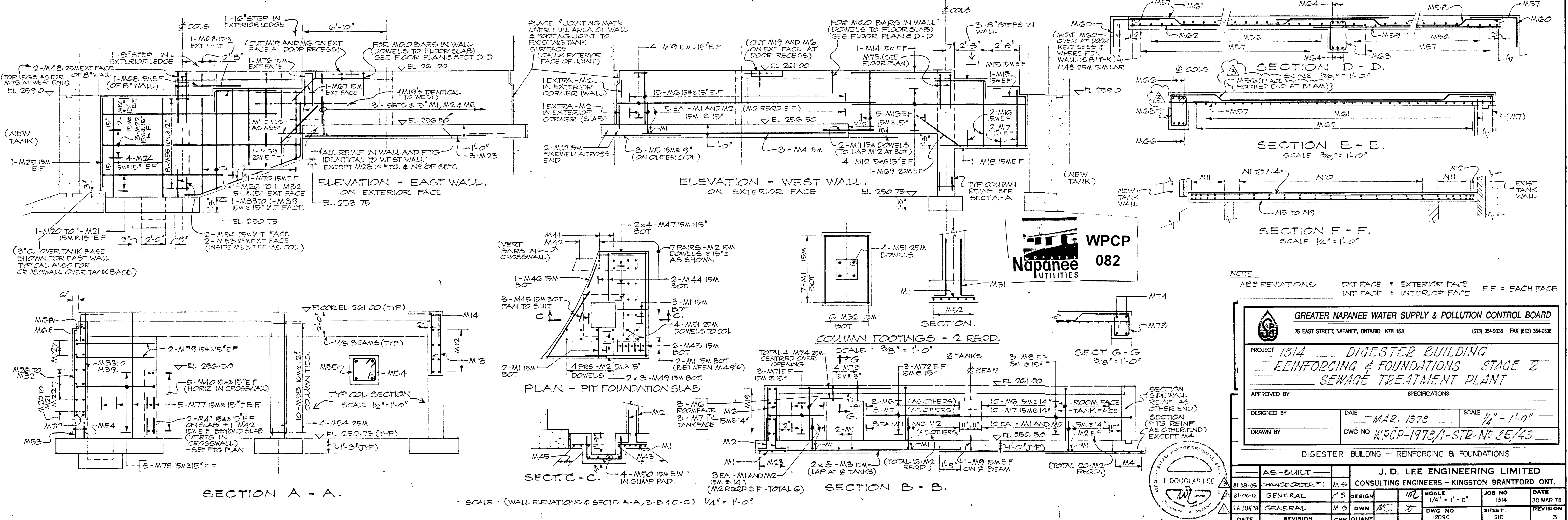
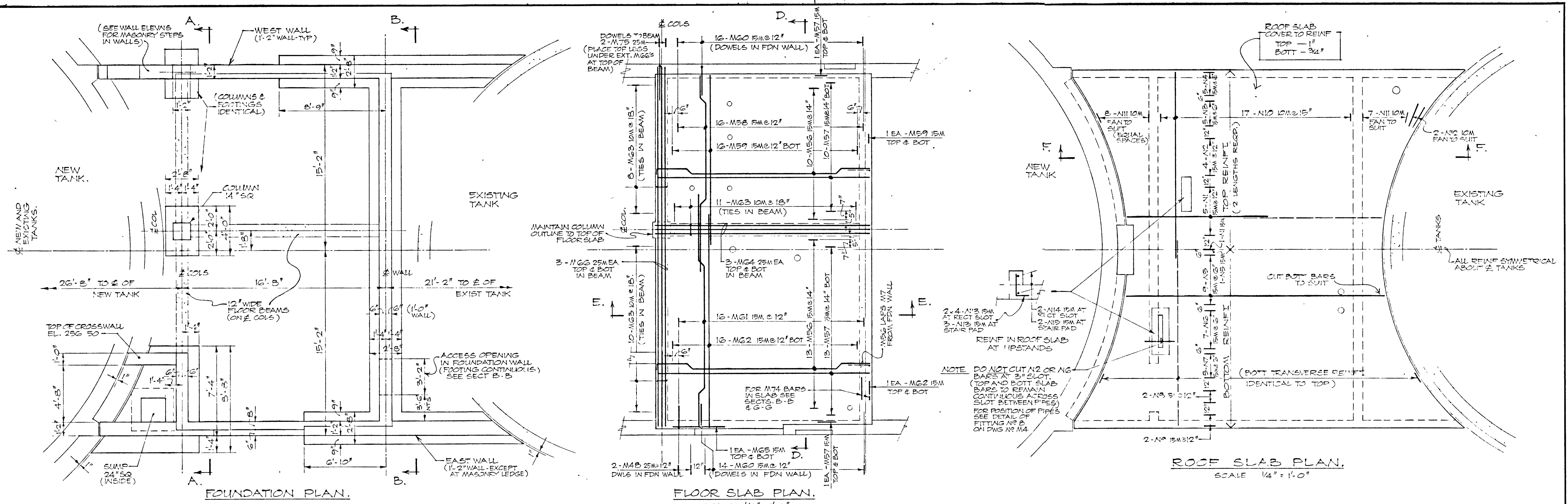
THIS AP

Napanee UTILITIES

WPCP 081

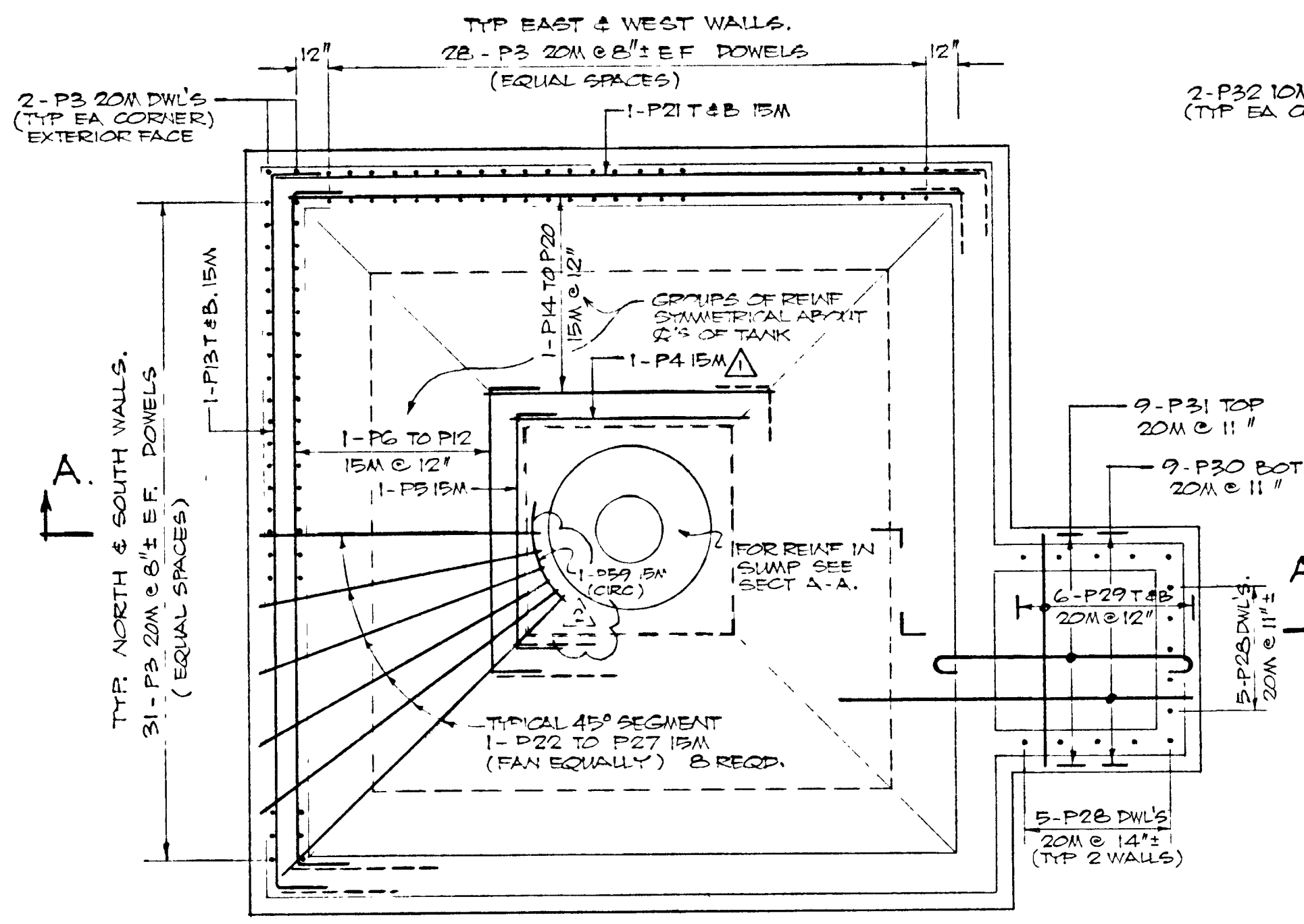
CONSTR. By J. Lee Date: 2.20.78 Job No. 1314
J. D. LEE ENGINEERING LIMITED

TOWN OF NAPANEE		J. D. LEE ENGINEERING LIMITED	
WATER POLLUTION CONTROL PLANT - STAGE 2 CONTRACT		CONSULTING ENGINEERS - KINGSTON BRANTFORD ONT.	
PRIMARY DIGESTER REINFORCING		81-08-05 CHANGE ORDER #1	M.S.
		81-06-19 APPENDUM #1	M.S.
81-06-12	GENERAL	M.S.	DESIGN
26 JUN 78	GENERAL	M.S.	OWN
DATE	REVISION	CHK	QUANT
SCALE: AS SHOWN		JOB NO: 1314	DATE: 30 MAR 78
DWG NO. 1209C		SHEET 59	REVISION 4

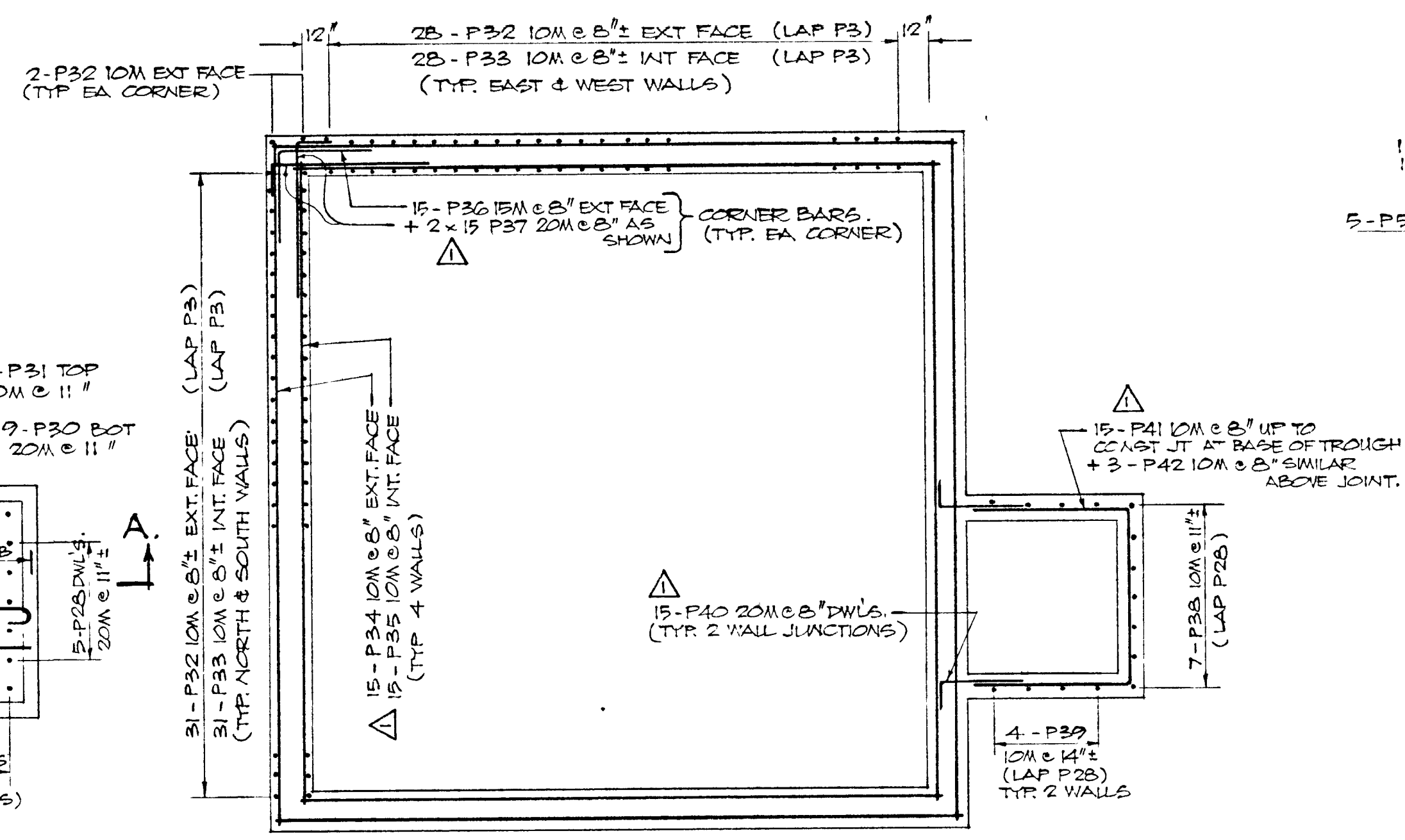


NOTE: ALL REVISIONS EXT FACE = EXTERIOR FACE INT FACE = INTERIOR FACE EF = EACH FACE

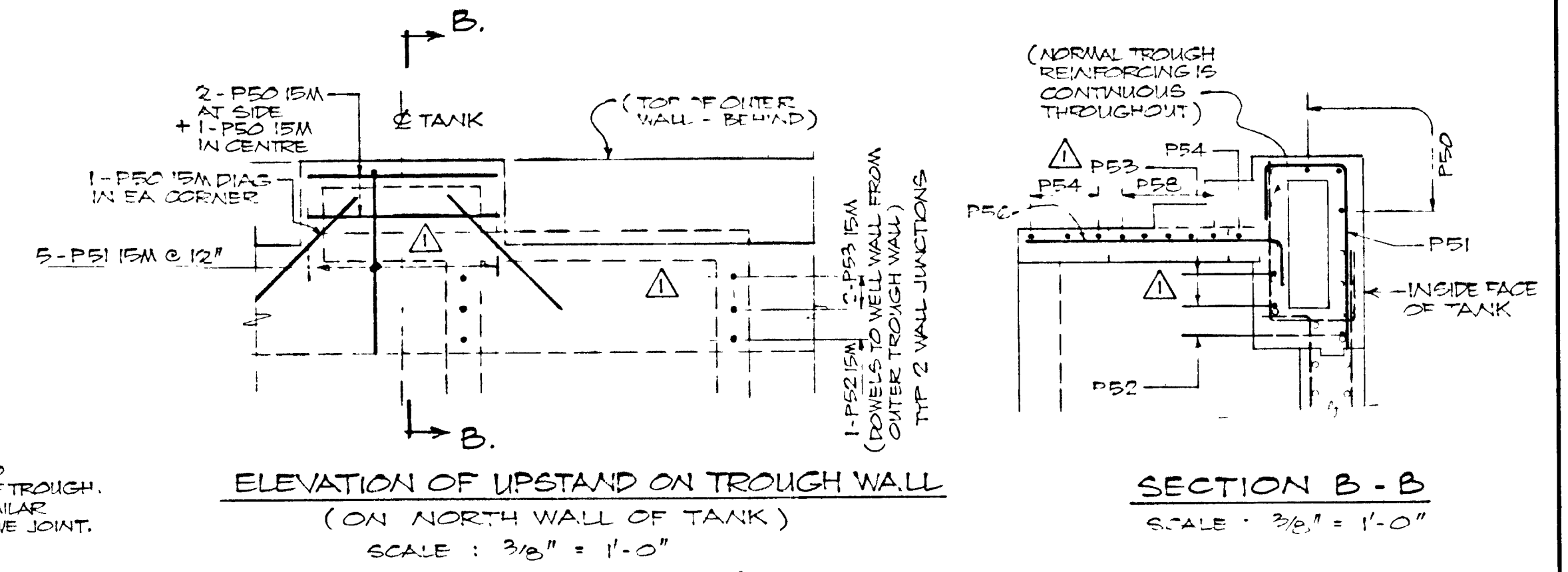
GREATER NAPANEE WATER SUPPLY & POLLUTION CONTROL BOARD					
75 EAST STREET, NAPANEE, ONTARIO K0R 1S8 (813) 354-9238 FAX (813) 354-2936					
PROJECT 1314 - DIGESTER BUILDING REINFORCING & FOUNDATIONS STAGE 2 SEWAGE TREATMENT PLANT					
APPROVED BY		SPECIFICATIONS			
DESIGNED BY	DATE	SCALE	JOB NO		
DRAWN BY	DWG NO	1/4" = 1'-0"	1314		
DIGESTER BUILDING - REINFORCING & FOUNDATIONS		J. D. LEE ENGINEERING LIMITED			
		CONSULTING ENGINEERS - KINGSTON BRANTFORD ONT.			
DATE	REVISION	CHK	QUANT	SCALE	DATE
26 JUN 78	GENERAL	M.S.	DWN	1/4" = 1'-0"	30 MAR 78
	REVISION			DWG NO	SHEET
				WPCP-1978/1-STR-NO 25/43	1209C
					3



PLAN - FOUNDATION SLAB
SCALE: 1/4" = 1'-0"

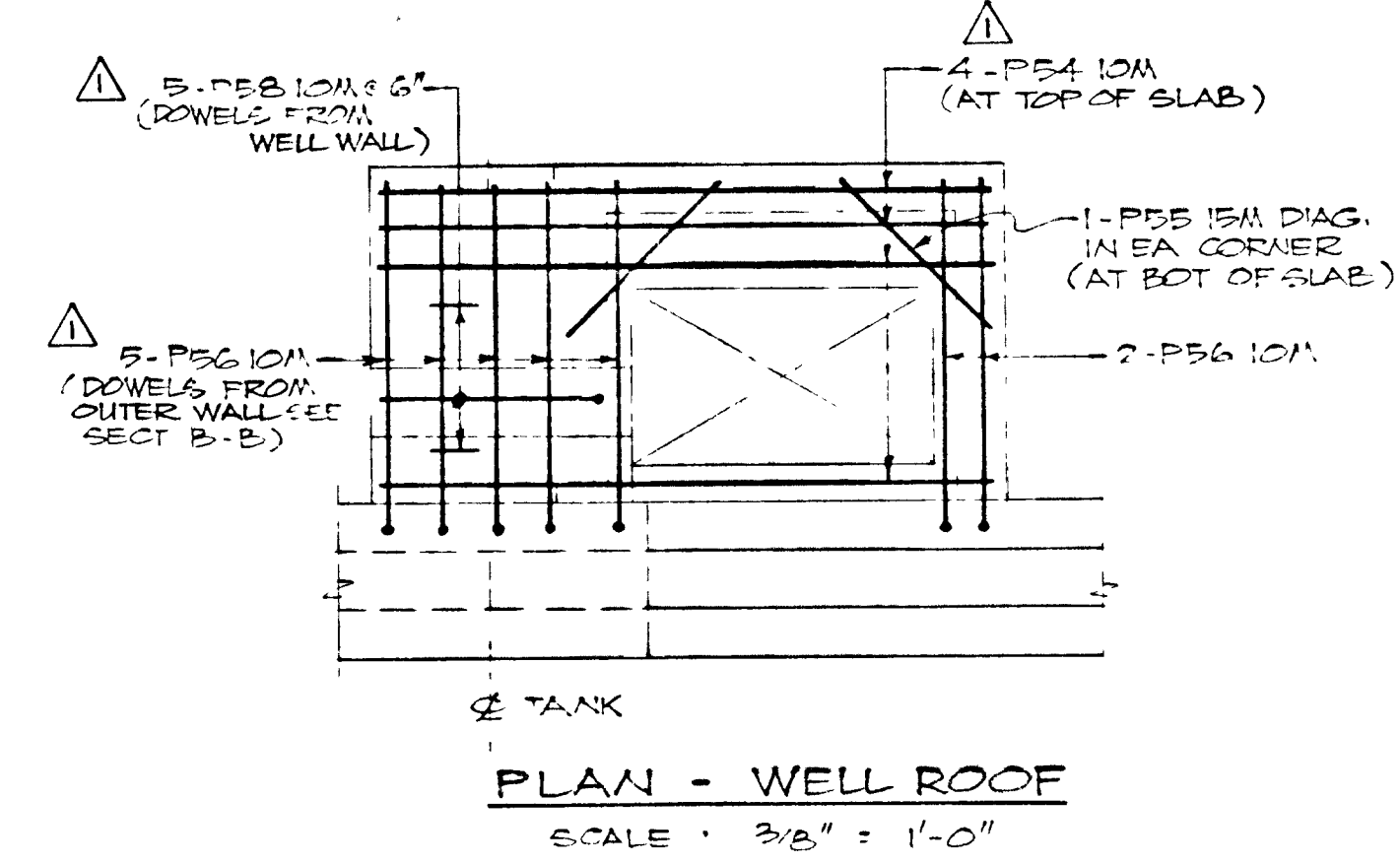


PLAN - WALL REINF.
SCALE: 1/4" = 1'-0"

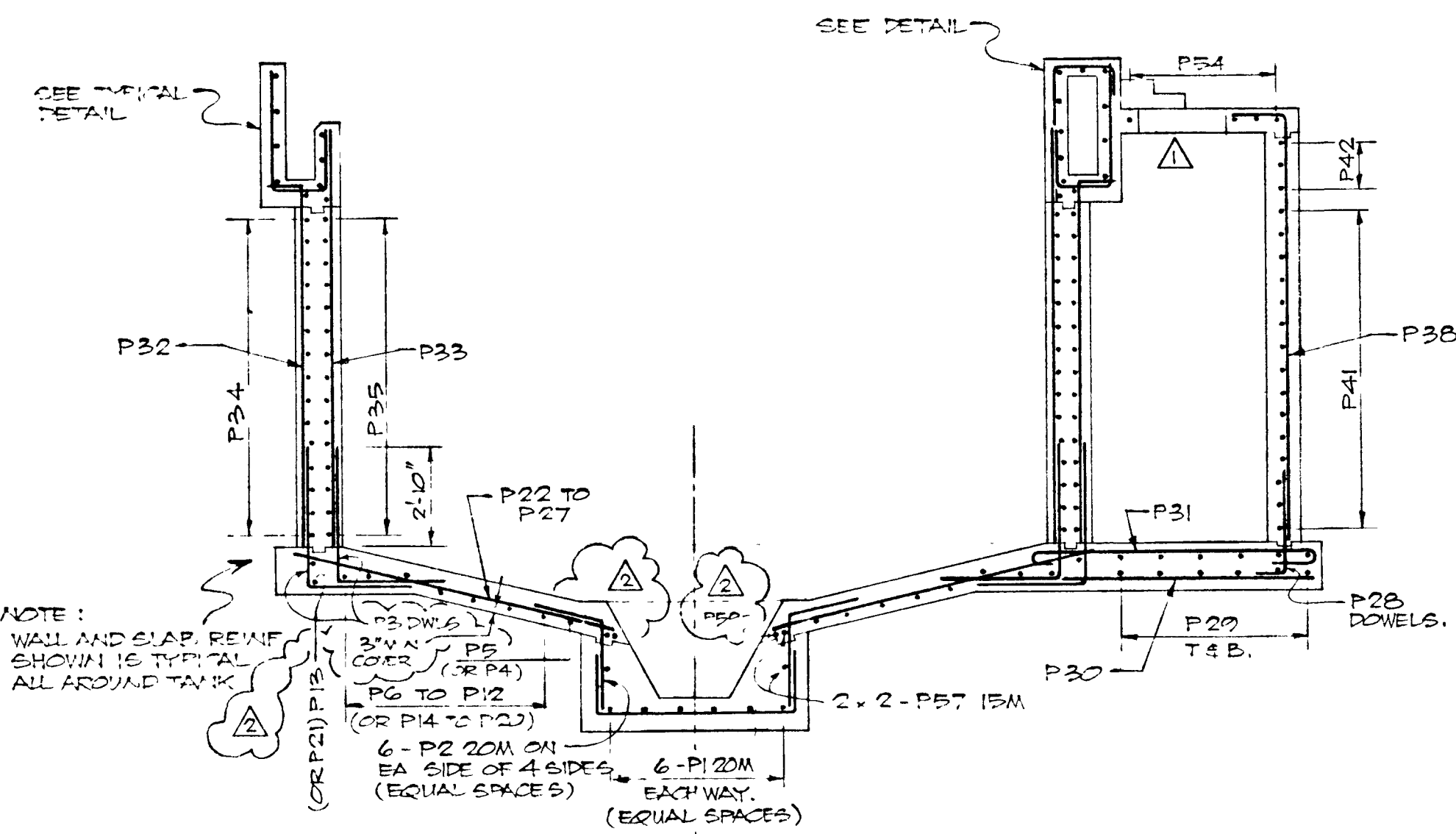


ELEVATION OF UPSTAND ON TROUGH WALL
(ON NORTH WALL OF TANK)
SCALE: 3/8" = 1'-0"

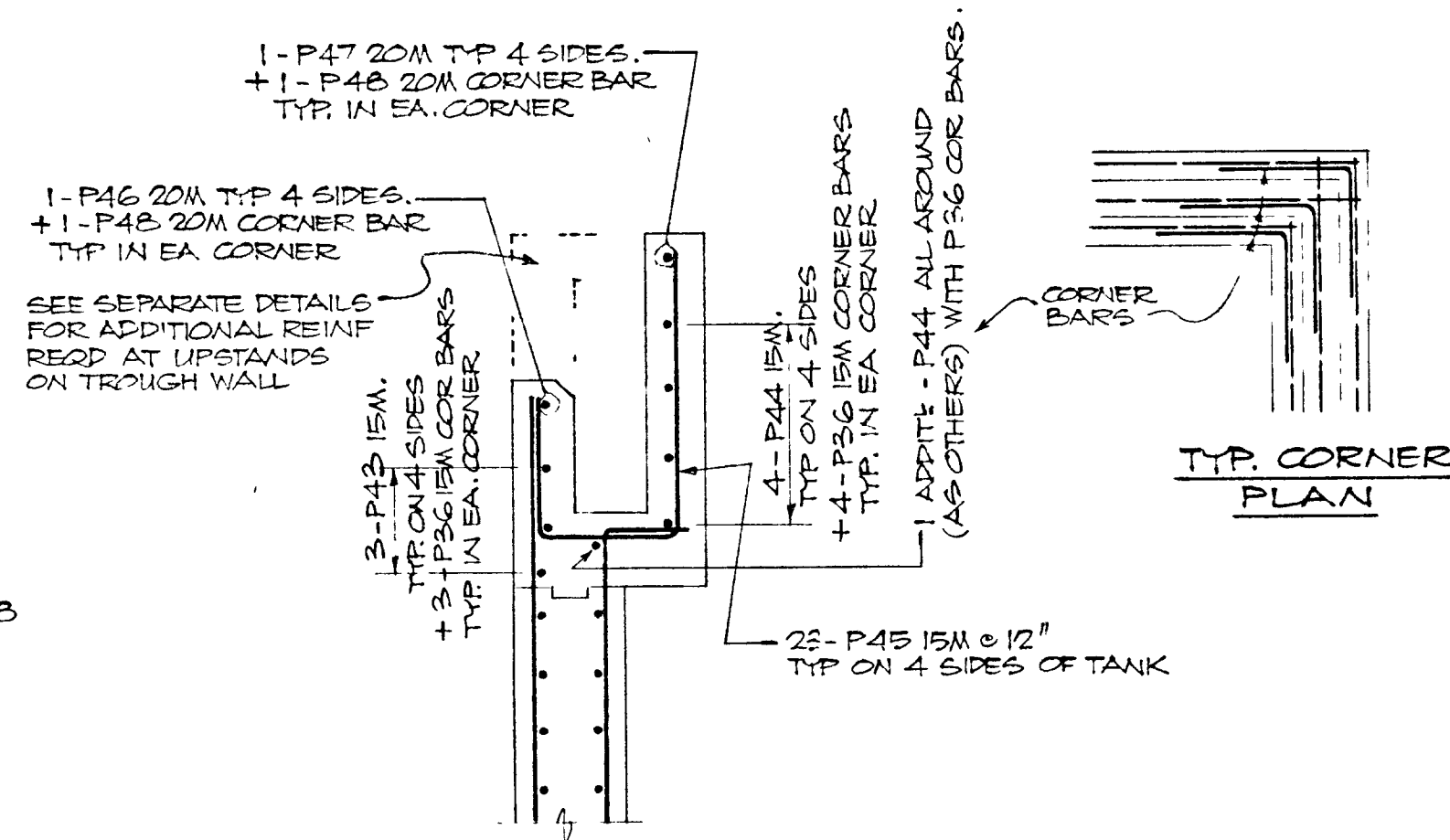
SECTION B-B
SCALE: 3/8" = 1'-0"



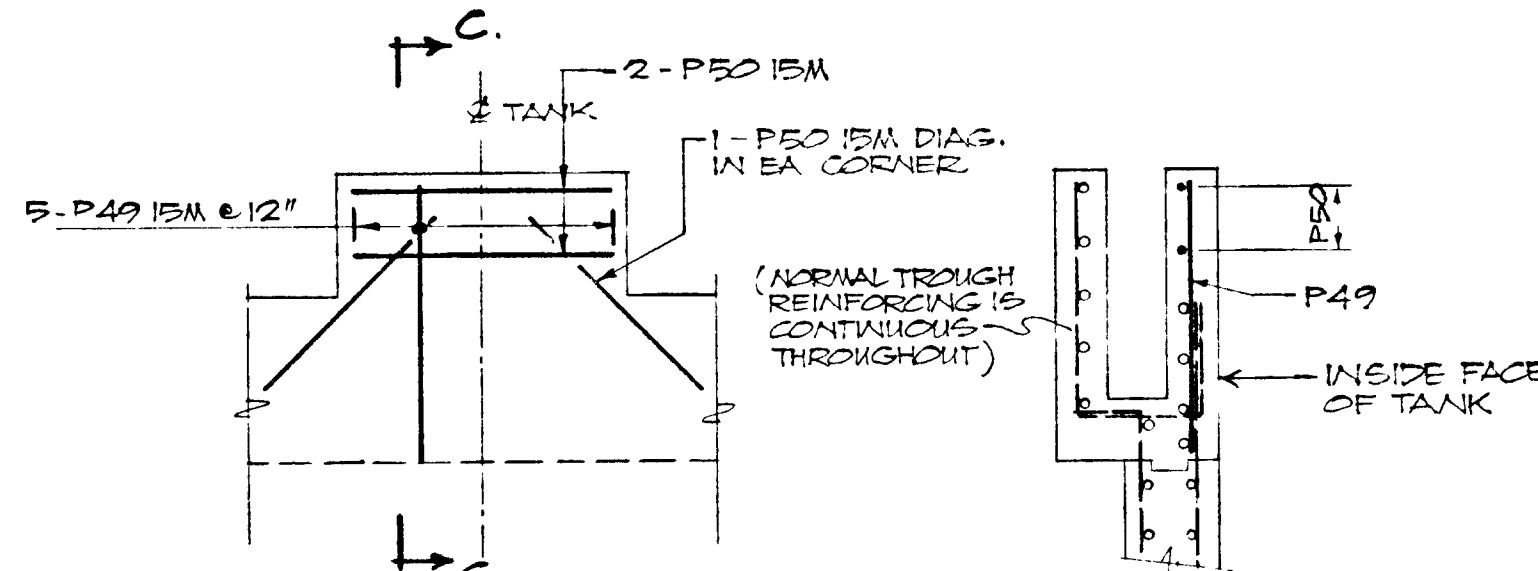
PLAN - WELL ROOF
SCALE: 3/8" = 1'-0"



SECTION A-A
SCALE: 1/4" = 1'-0"



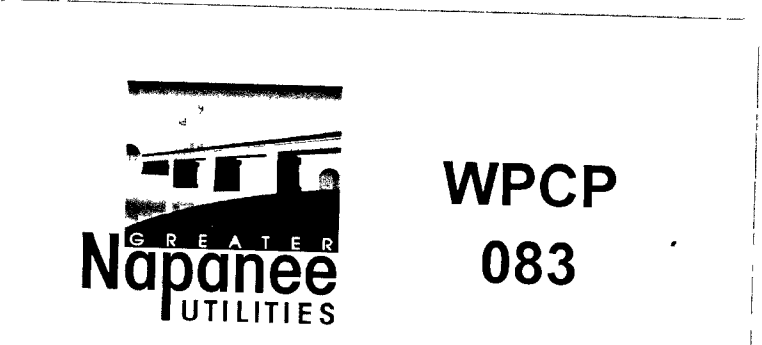
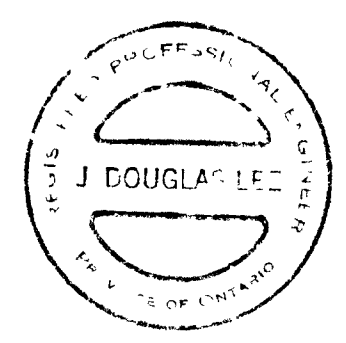
REINF. IN TROUGH AROUND
TOP OF TANK
SCALE: 1/2" = 1'-0"



ELEVATION OF UPSTAND
ON TROUGH WALL
(ON SOUTH WALL OF TANK)
SCALE: 3/8" = 1'-0"

SECTION C-C
SCALE: 3/8" = 1'-0"

NOTE: WALL AND SLAB REINF. SHOWN IS TYPICAL ALL AROUND TANK.



GREATER NAPANEE WATER SUPPLY & POLLUTION CONTROL BOARD 75 EAST STREET, NAPANEE, ONTARIO K7R 1S3 (613) 354-9338 FAX (613) 354-2838			
PROJECT	1314 SLUDGE THICKENER REINFORCING		
SEWAGE TREATMENT PLANT			
APPROVED BY	SPECIFICATIONS		
DESIGNED BY	DATE	SCALE	
	MAR 1978	AS SHOWN	
DRAWN BY	DWG NO WPCP-1978/1-STD-N936/45		

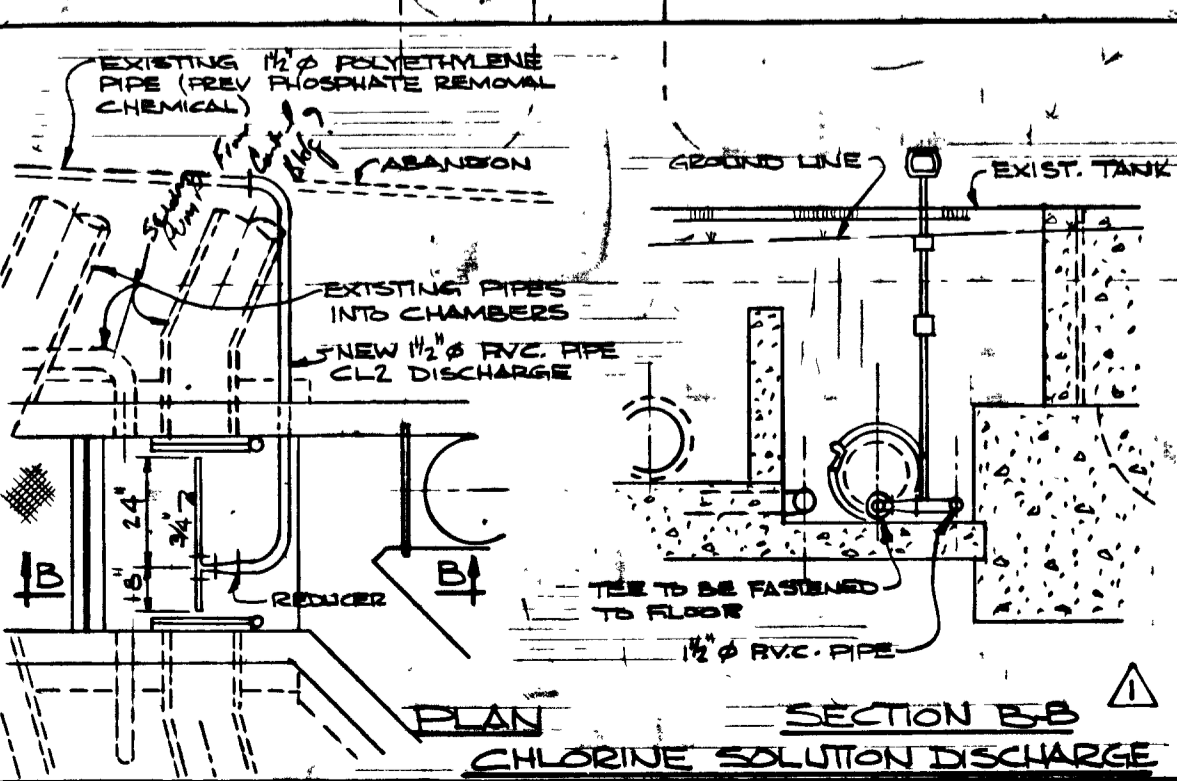
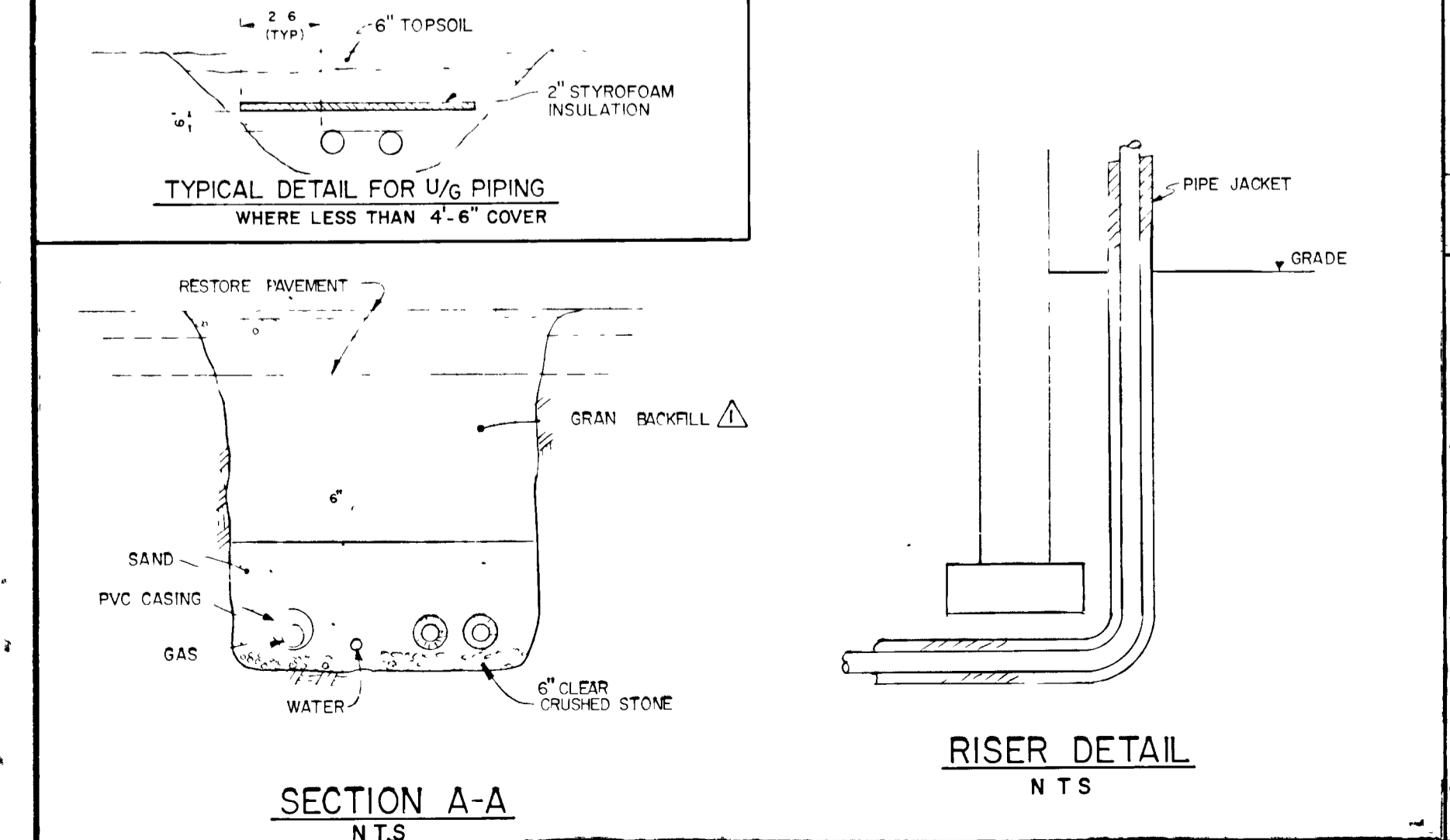
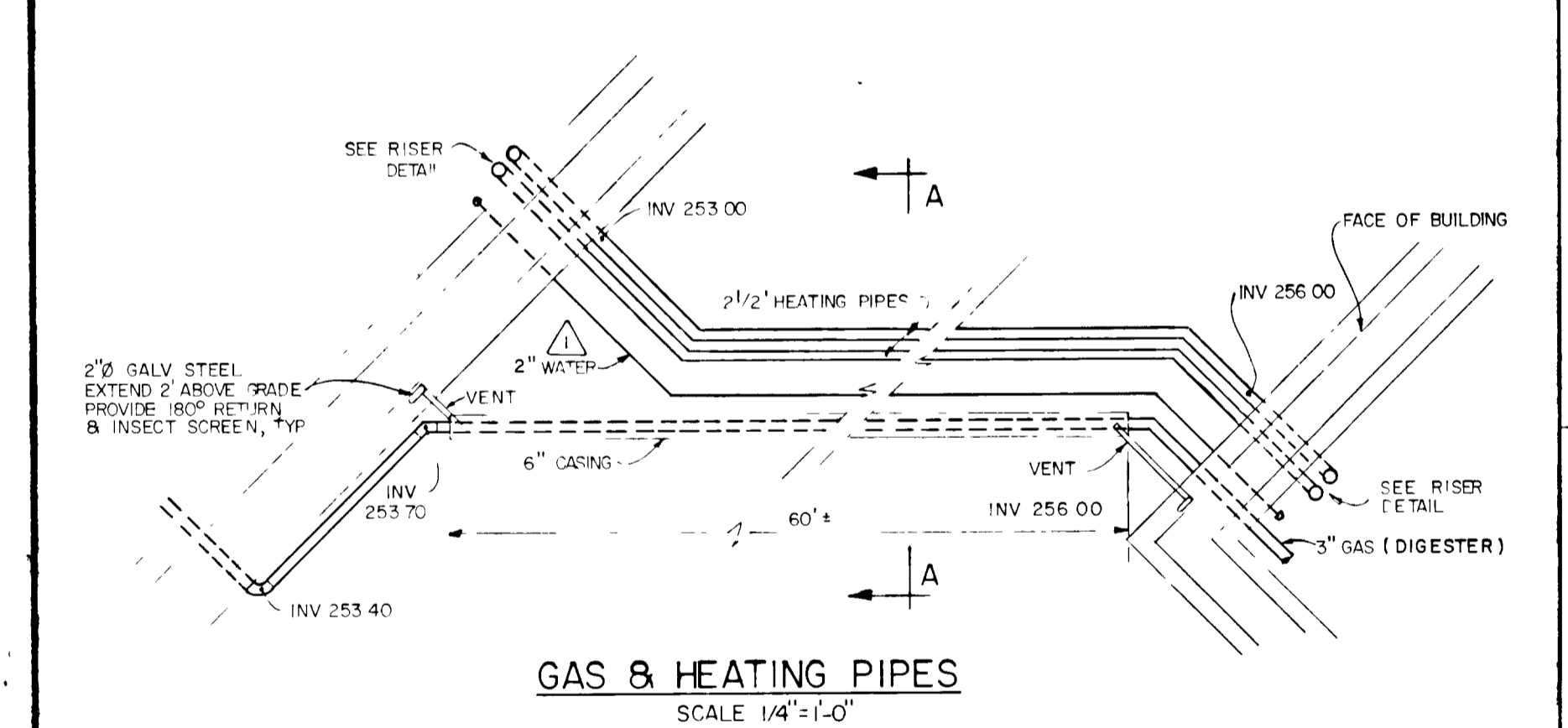
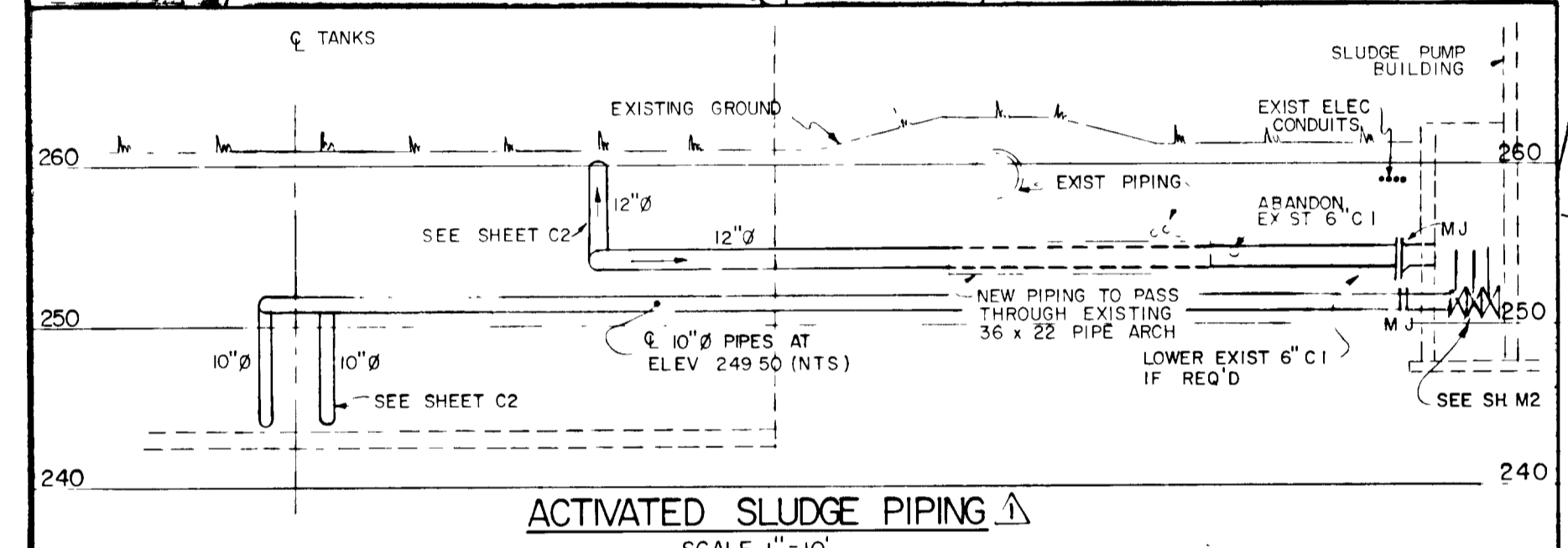
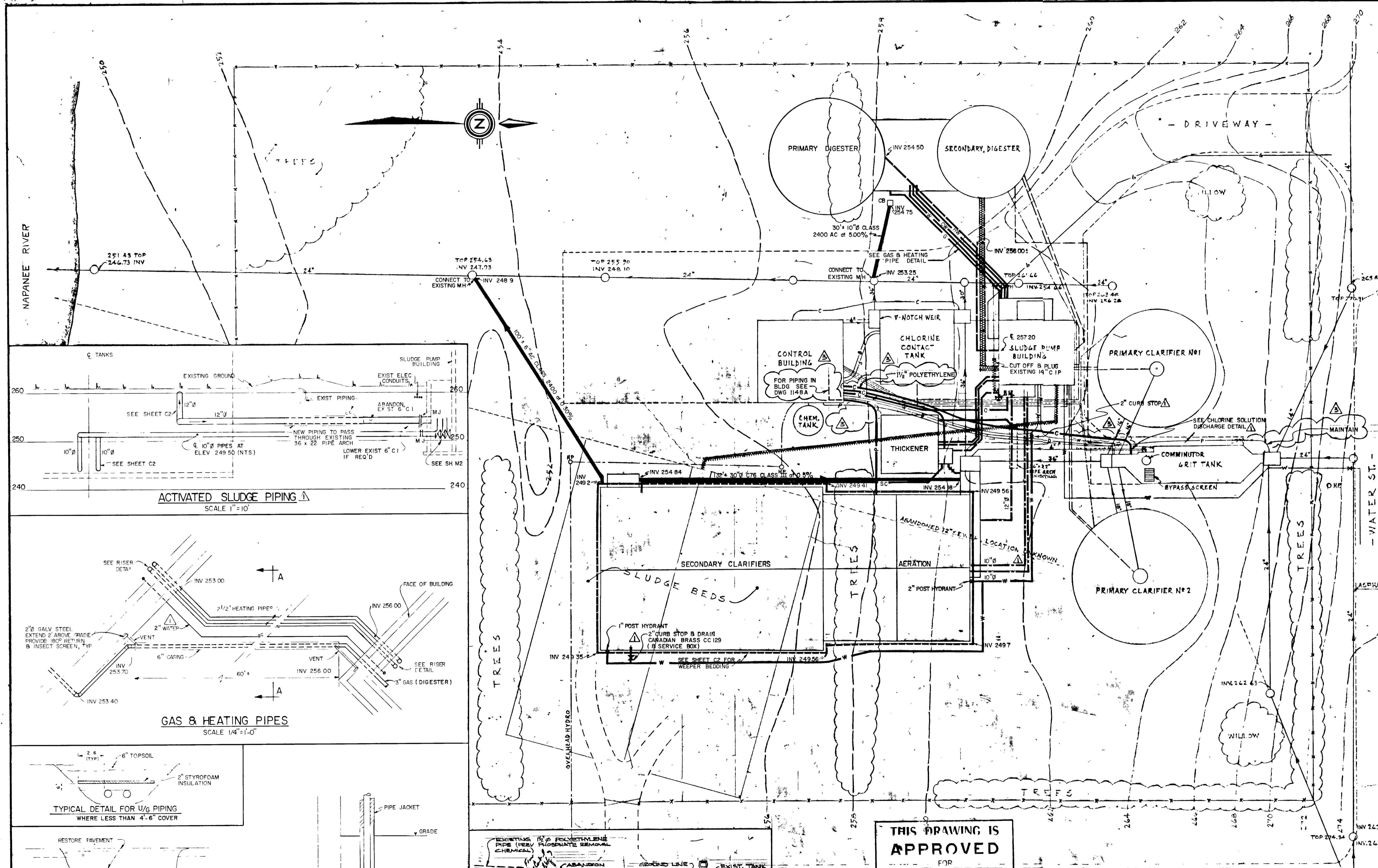
THIS DRAWING IS APPROVED
FOR
CONSTRUCTION PURPOSES
By Date 02.20.82 Job No 1314
J. D. LEE ENGINEERING LIMITED

TOWN OF NAPANEE			
WATER POLLUTION CONTROL PLANT - STAGE 2 CONTRACT			
SLUDGE THICKENER REINFORCING			
J D LEE ENGINEERING LIMITED CONSULTING ENGINEERS - KINGSTON BRANTFORD, ONT.			
AS-BUILT	DESIGN	SCALE	JOB NO
81-05-05	CHANGE ORDER #1	AS SHOWN	1314
81-06-19	APPENDUM #1	DWG NO	SHEET
		1209 C	511
DATE	REVISION	CHK	QUANT
			DATE
			81-08-12
			REVISION
			2

BENCHMARK - ELEV. 261.98
TOP OF CONCRETE, S.E. CORNER
OF WELL ONE SIDE OF PUMP BLDG.

- LEGEND**
- GRAVITY SEWERS
 - SLUDGE, SCUM & SUPERNATANT
 - W — WATER
 - G — GAS
 - P — CHEMICAL
 - D — SUMP PUMP DISCHARGE
 - S — WATER SUCTION
 - S — SENSING PIPE
 - C — CHLORINE SOLUTION DISCHARGE
 - ELECTRICAL CONDUIT
 - EXISTING PIPING TO BE ABANDONED

- NEW PIPING**
- GRAVITY SEWER
 - RAW SLUDGE, 6" DUCTILE IRON
 - ACTIVATED SLUDGE, POLYETHYLENE OR PVC
 - G — GAS, 3" POLYETHYLENE
 - W — POTABLE WATER, 2" COPPER
 - HW — HOT WATER SUPPLY, 2 1/2" COPPER
 - CW — COLD WATER RETURN, 2 1/2" COPPER
 - P — CHEMICAL, 1/2" POLYETHYLENE
 - WEEPER, 4" PVC
 - CB — 2' x 2' PRECAST CATCHBASIN
 - SC — SCUM PIPE, 6" PVC
 - C — CHLORINE SOLUTION DISCHARGE 1/2" POLYETHYLENE



THIS DRAWING IS APPROVED

FOR
S. CONST. BY J. D. LEE



WPCP 090

GREATER NAPANEE WATER SUPPLY & POLLUTION CONTROL BOARD
75 EAST STREET, NAPANEE, ONTARIO N7R 1S8 (819) 354-9338 FAX (819) 354-2838

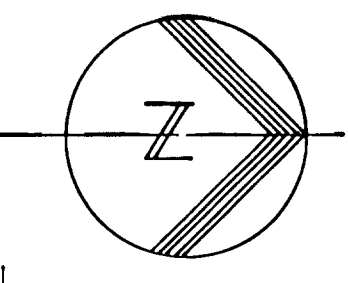
PROJECT 1314 UNDERGROUND PIPING
SEWAGE TREATMENT PLANT

APPROVED BY: _____ SPECIFICATIONS: _____
DESIGNED BY: _____ DATE: MAR. 1978 SCALE: 1" = 20'
DRAWN BY: _____ DWG NO: WPCP-1978/1-UNGD-Nº 43/43

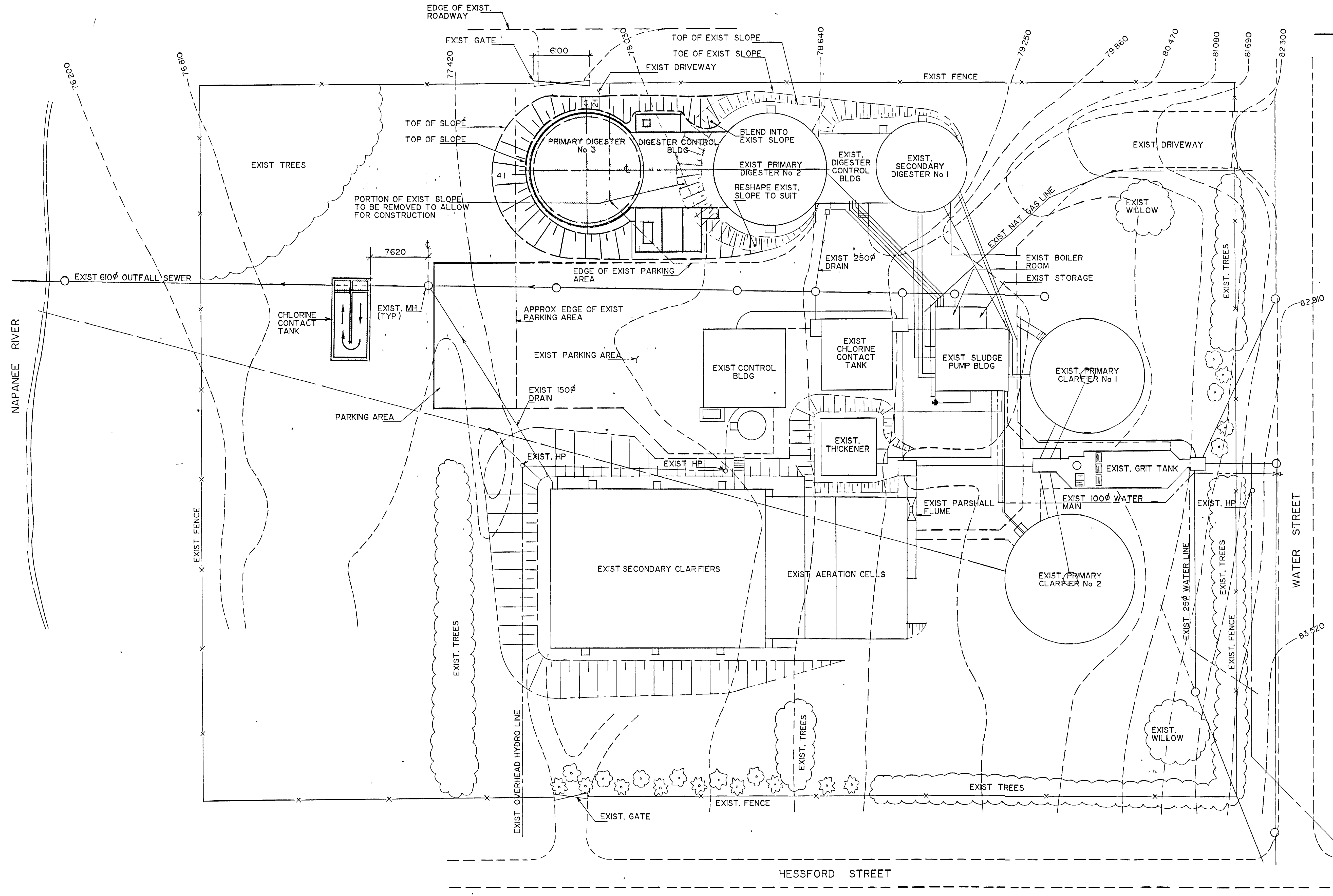
TOWN OF NAPANEE
WATER POLLUTION CONTROL PLANT - STAGE 2 CONTRACT
UNDERGROUND PIPING

33 AS-BUILT	J.D.L.	J. D. LEE ENGINEERING LIMITED	SCALE	1" = 20'	JOB NO	1314	DATE	30 MAR 78
08 CHANGE ORDER #2	M.S.	CONSULTING ENGINEERS - KINGSTON BRANTFORD ONT	DWG NO	1209C	SHEET	UI	REVISION	4

A B C D E F G H



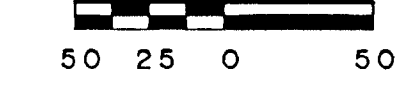
LEGEND
 [Solid Line] NEW STRUCTURE
 [Dashed Line] EXISTING STRUCTURE



300mm
200
100



WPCP
091



Copyright © 1988 Gore & Storrie Limited

NOTES
 RECORD DRAWING
 DATE: DECEMBER 1980
 SIGNED: [Signature]

CHECKED: [Signature]
 DESIGNER: [Signature]
 PROJECT MANAGER: [Signature]
 DIVISION HEAD: [Signature]
 P. F. de SILVA
 J. CAMPBELL
 Gore & Storrie Limited

SITE PLAN

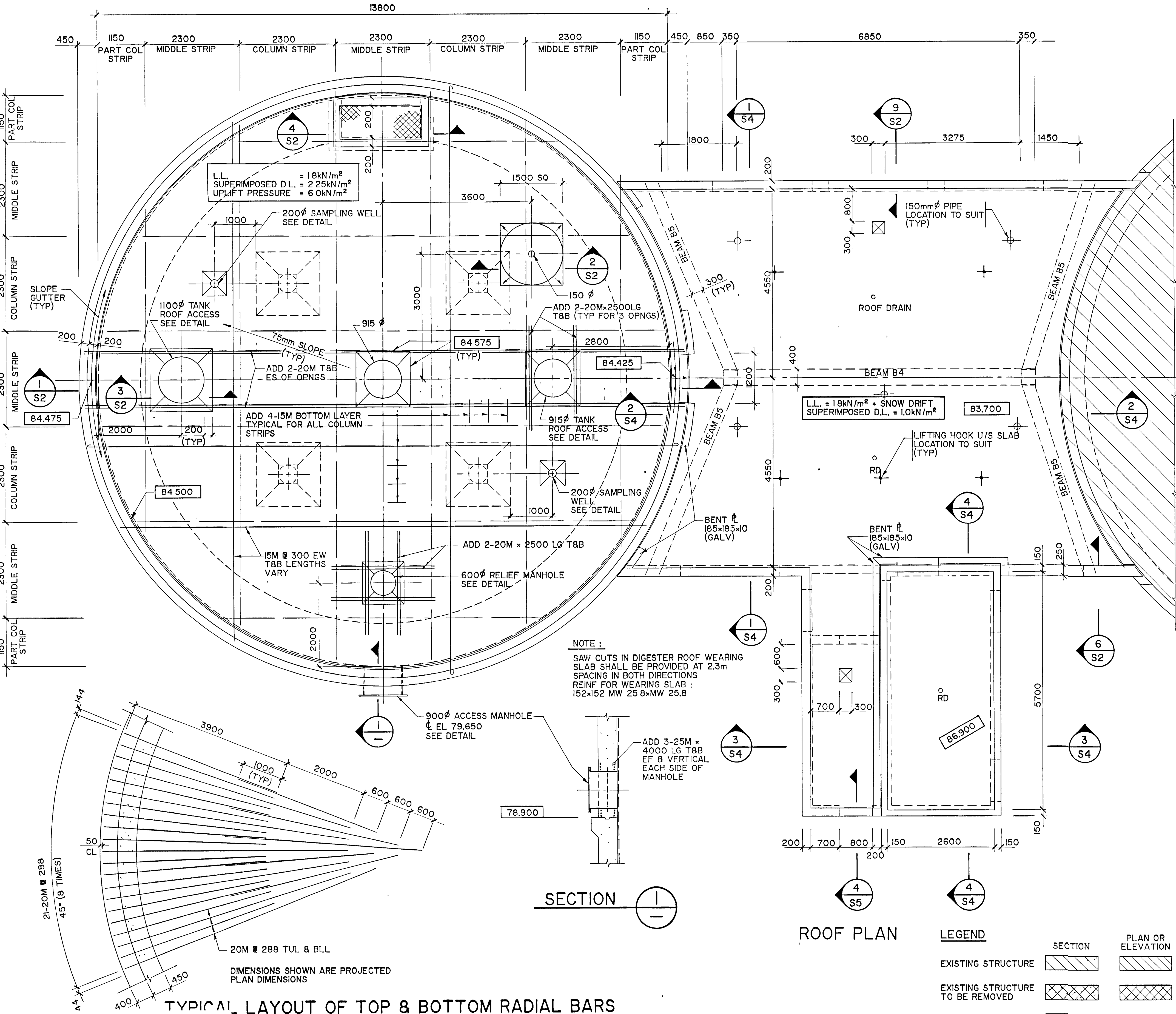
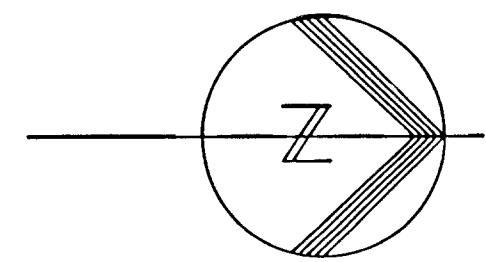
GREATER NAPANEE WATER SUPPLY & POLLUTION CONTROL BOARD
 NAPANEE W.P.C.P. UPGRADING
 CONTRACT I-I CIVIL WORKS

Gore & Storrie Limited G&S
 Consulting Engineers & Architects
 DATE: APRIL 1988
 SCALE: 1/250
 FILE NO: 648.07-AI-05922
 DRAWING NO: G1

SUPERSEDES ALL DRAWINGS BEARING PREVIOUS REVISION NUMBERS

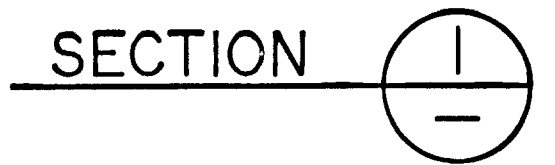
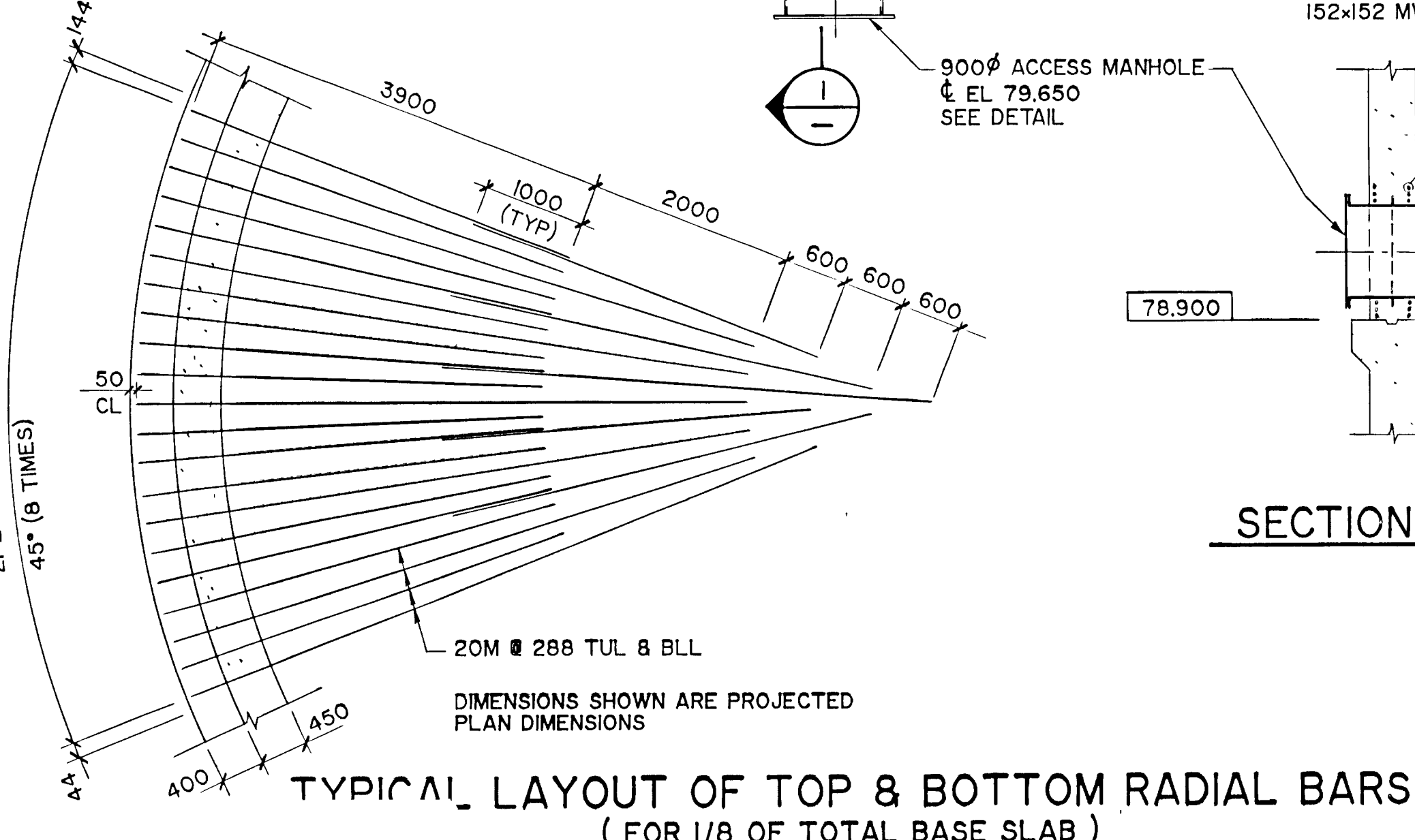
FRAME SIZE 566 x 801 mm
 DRAWING SIZE A1 (595 x 841 mm)

A B C D E F G H



- GENERAL NOTES**
- ALL DIMENSIONS IN MILLIMETRES
ALL ELEVATIONS IN METRES
 - LOCATE ALL PERTINENT BURIED SERVICES BEFORE EXCAVATING
 - DO NOT UNDERMINE EXISTING STRUCTURES, ROADS, PIPES, OR SERVICES UNDERPIN WHERE REQUIRED IN ORDER TO SAFELY CARRY OUT AND COMPLETE NEW CONSTRUCTION
 - WATERSTOPS TO BE 230 mm NORMAL BULB UNLESS INDICATED OTHERWISE
 - SURFACES OF EXISTING CONCRETE IN CONTACT WITH NEW SHALL BE THOROUGHLY CLEANED OF ALL DIRT, DEBRIS, LAITANCE AND PAINT, ROUGHENED AND COATED WITH SUITABLE BONDING AGENT PRIOR TO PLACING OF NEW CONCRETE AGAINST IT
 - CUTS IN EXISTING CONCRETE TO BE MADE WITH SAW OR ROTARY DRILL DO NOT USE IMPACT PRODUCING EQUIPMENT
 - ALL RECESSES IN CONCRETE WALLS AND SLAB TO BE 40 mm EXCEPT WHERE SHOWN OTHERWISE
 - SANDBLAST/WATERBLAST EXTERIOR CONCRETE SURFACES OF THE WALLS OF THE EXISTING DIGESTION TANK THAT BECOME INTERIOR SURFACES
 - PROVIDE GALVANIZED DOVETAIL ANCHOR SLOTS SET VERTICALLY AT 600 mm C/C FOR ALL FACES OF STRUCTURAL CONCRETE WHICH ARE TO BE VENEERED WITH MASONRY
 - FOR SIZE AND LOCATION OF SHELF ANGLES, ABRASIVE TILES OR INSERTS ON STAIR, DOVETAIL ANCHORS, REGLETS, ETC SEE ARCHITECTURAL DRAWINGS

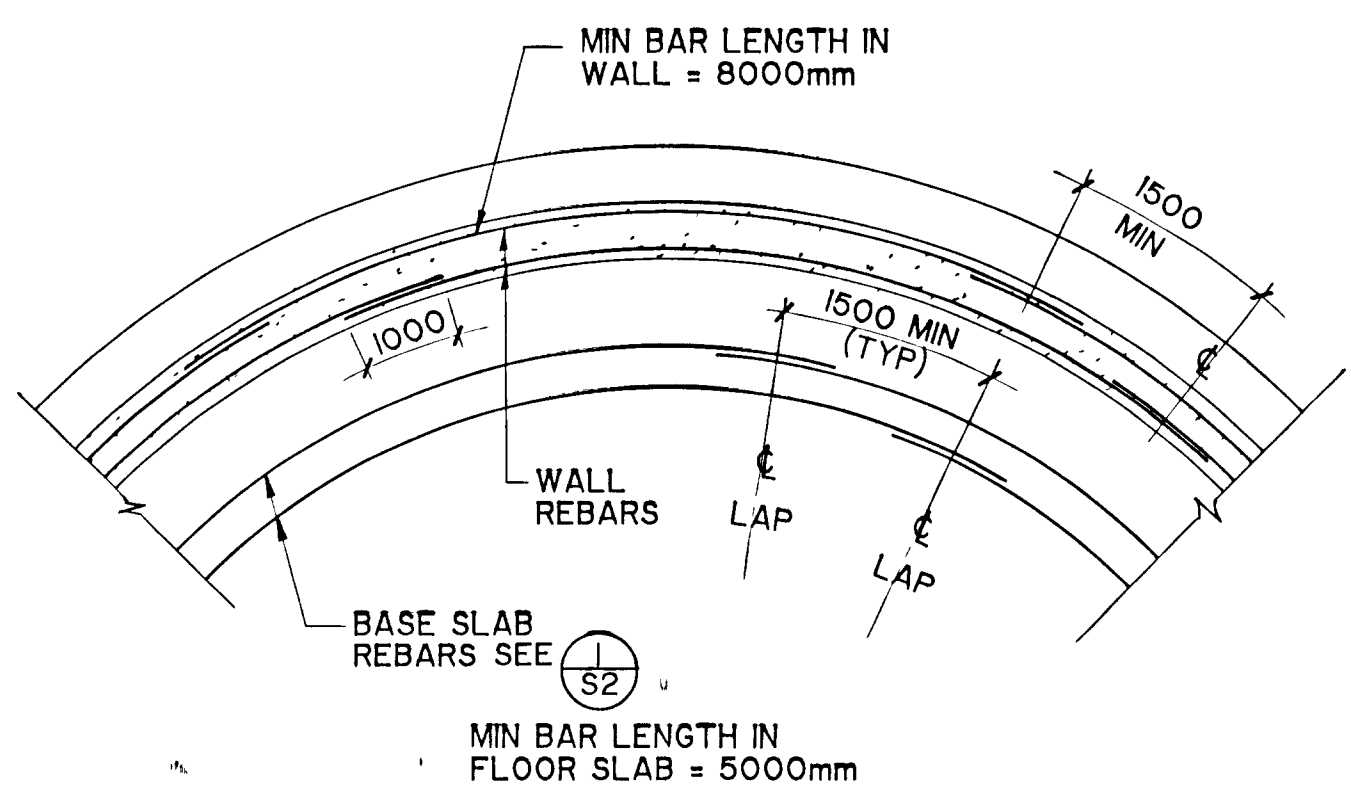
NOTE :
SAW CUTS IN DIGESTER ROOF WEARING SLAB SHALL BE PROVIDED AT 2.3m SPACING IN BOTH DIRECTIONS
REINF FOR WEARING SLAB : 152x152 MW 25.8xMW 25.8



ROOF PLAN

LEGEND

	SECTION	PLAN OR ELEVATION
EXISTING STRUCTURE		
EXISTING STRUCTURE TO BE REMOVED		
NEW STRUCTURE		



TYPICAL REBAR LAPS IN WALL AND BASE SLAB

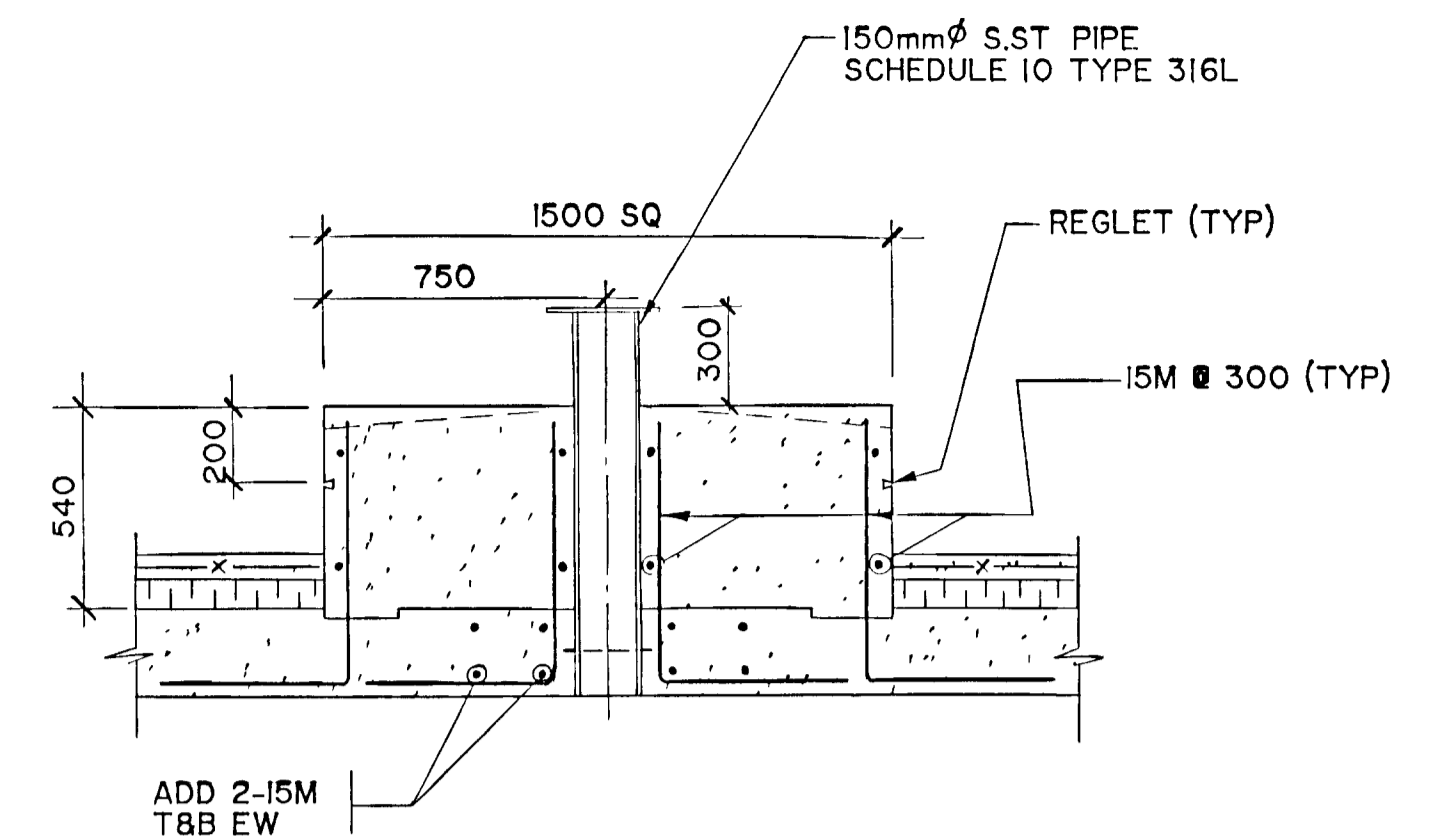
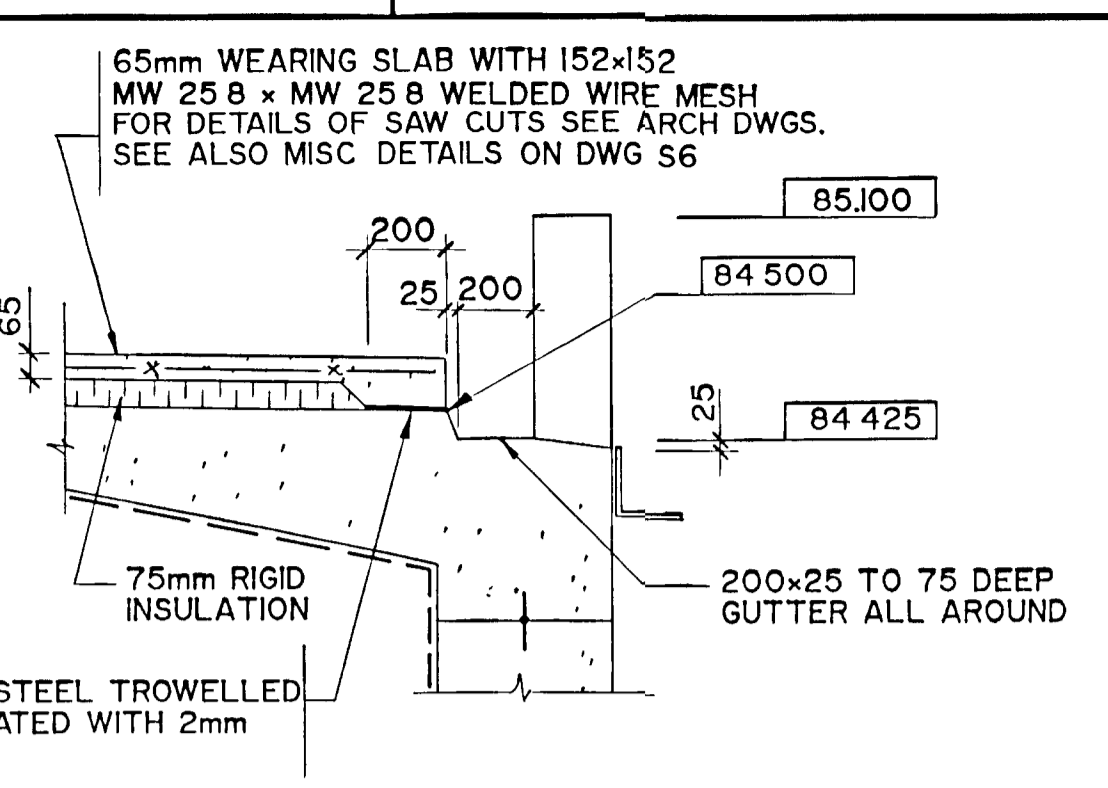
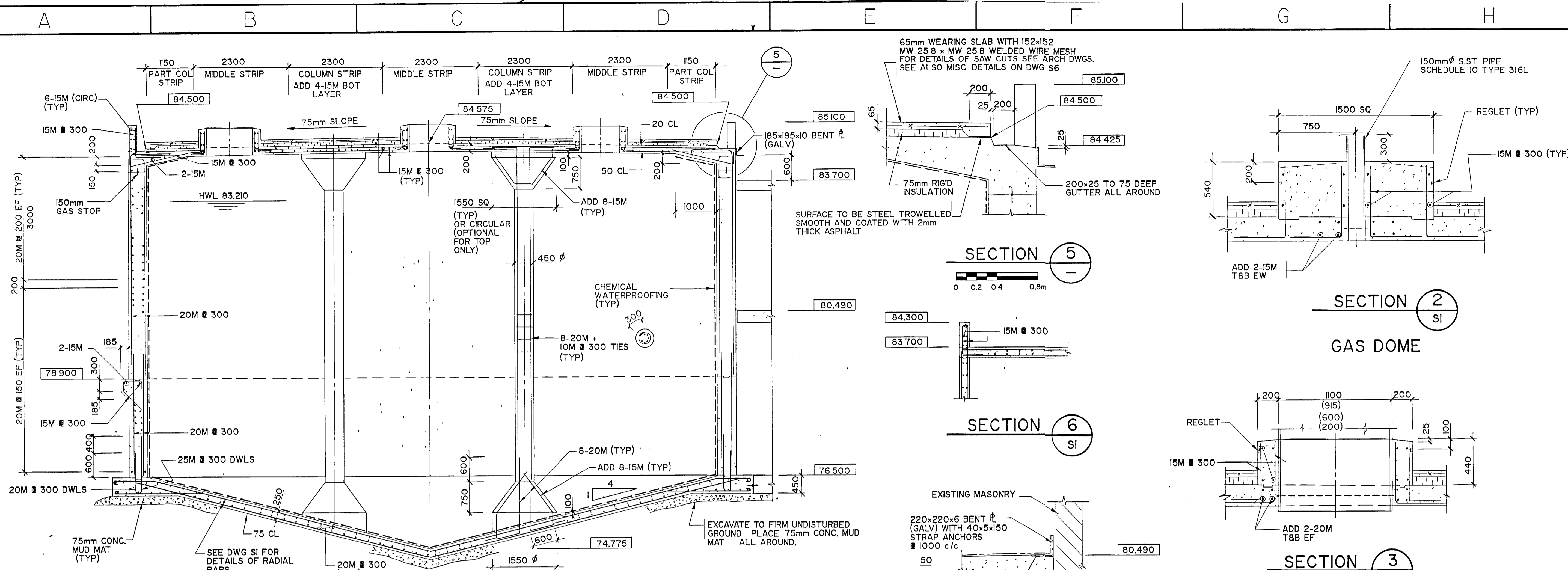
EL - DENOTES TOP OF STRUCTURAL SLAB

Copyright © 1988 Gore & Storrie Limited

FRAME SIZE 566 x 801 mm
DRAWING SIZE A1 (595 x 841 mm)

<p>NOTES</p> <p>RECORD DRAWING</p> <p>DATE: DECEMBER 1988</p> <p>SIGNED: [Signature]</p>	<p>WPCP 092</p> <p>Napaneé UTILITIES</p>	<p>CHECKED: [Signature]</p> <p>DESIGNER: [Signature]</p> <p>PROJECT MANAGER: [Signature]</p>	<p>REGISTERED PROFESSIONAL ENGINEER</p> <p>P. E. DULLERUD</p> <p>10/04/88</p> <p>PROVINCE OF ONTARIO</p>	<p>REGISTERED PROFESSIONAL ENGINEER</p> <p>[Signature]</p> <p>PROVINCE OF ONTARIO</p>	<p>DIGESTION TANK & CONTROL BUILDING ROOF PLAN</p>	<p>GREATER NAPANEÉ WATER SUPPLY & POLLUTION CONTROL BOARD</p>	<p>Gore & Storrie Limited G&S</p> <p>Consulting Engineers & Architects</p>
		<p>NAPANEÉ W.P.C.P. UPGRADING CONTRACT I-I CIVIL WORKS</p>	<p>DATE: APRIL 1988</p> <p>SCALE: AS NOTED</p>	<p>FILE N°: 648 07-A1-05923</p> <p>DRAWING N°: S1</p>			

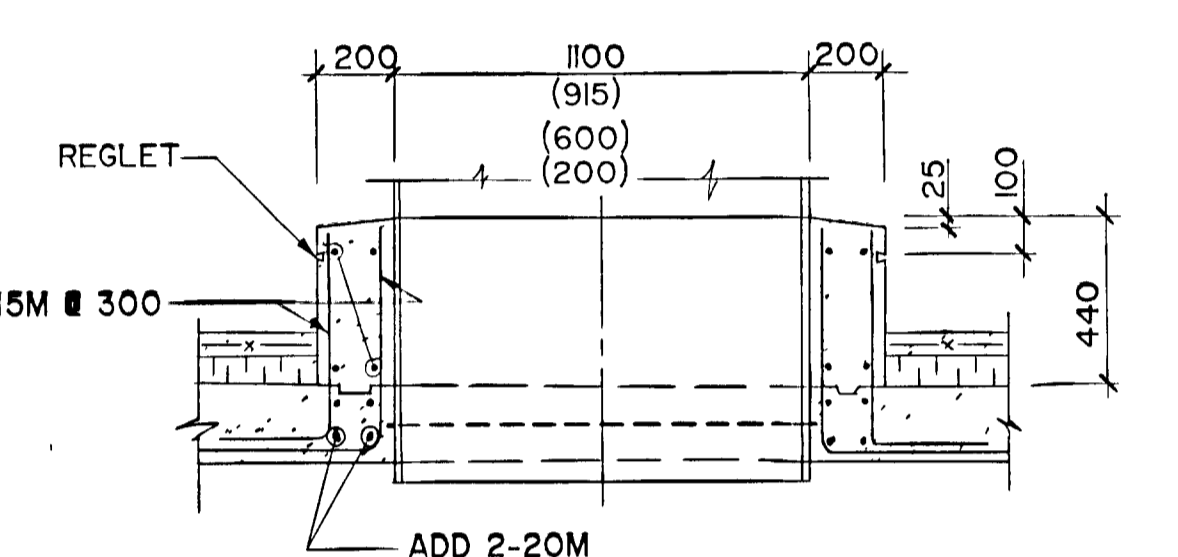
SUPERSEDES ALL DRAWINGS BEARING PREVIOUS REVISION NUMBERS



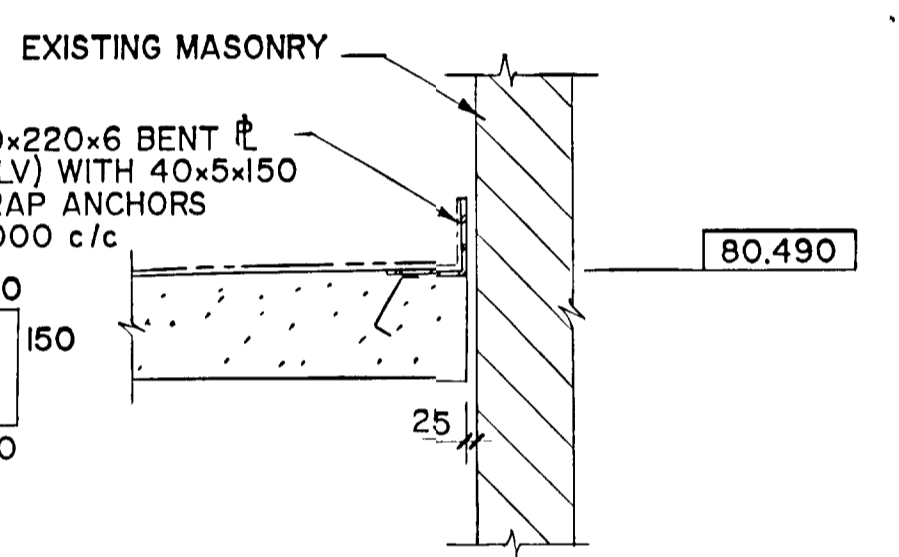
SECTION 5
0 0.2 0.4 0.8m

SECTION 2
SI
GAS DOME

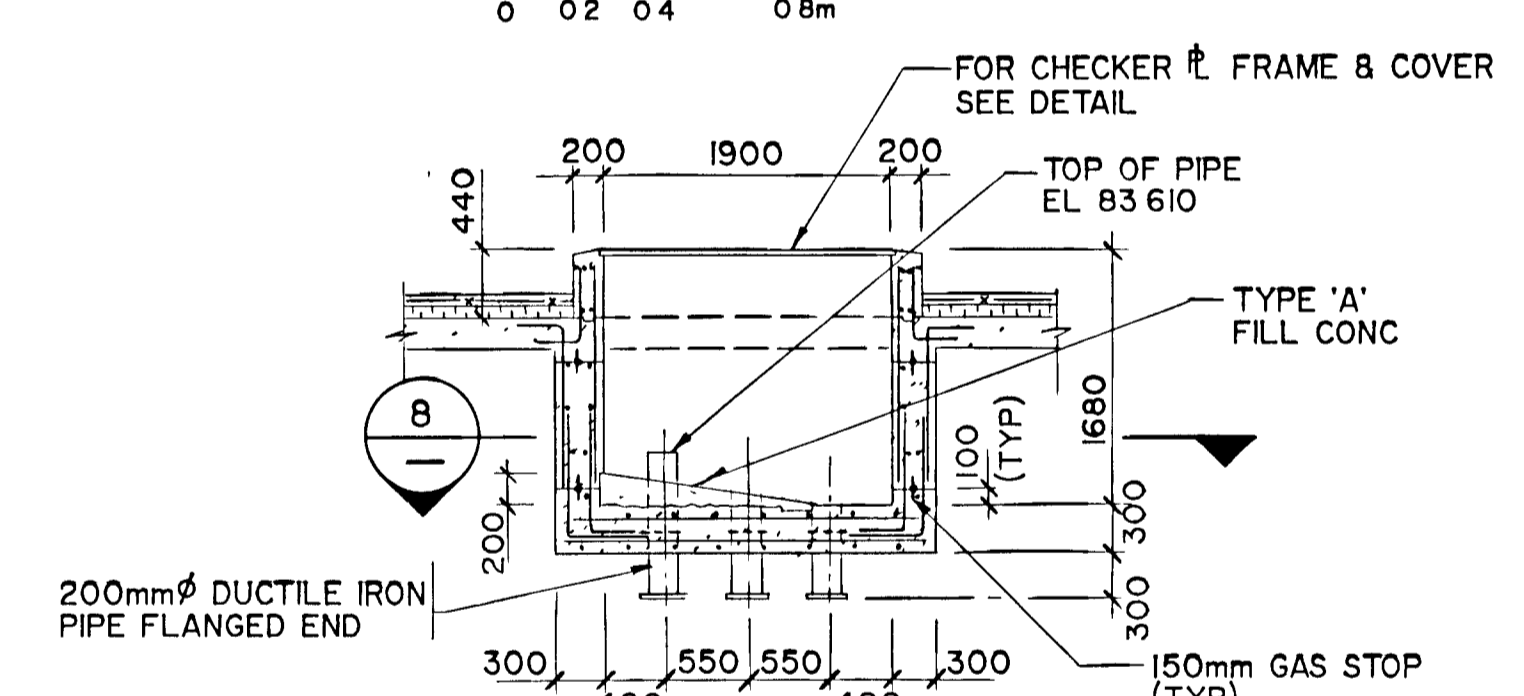
SECTION 6
SI



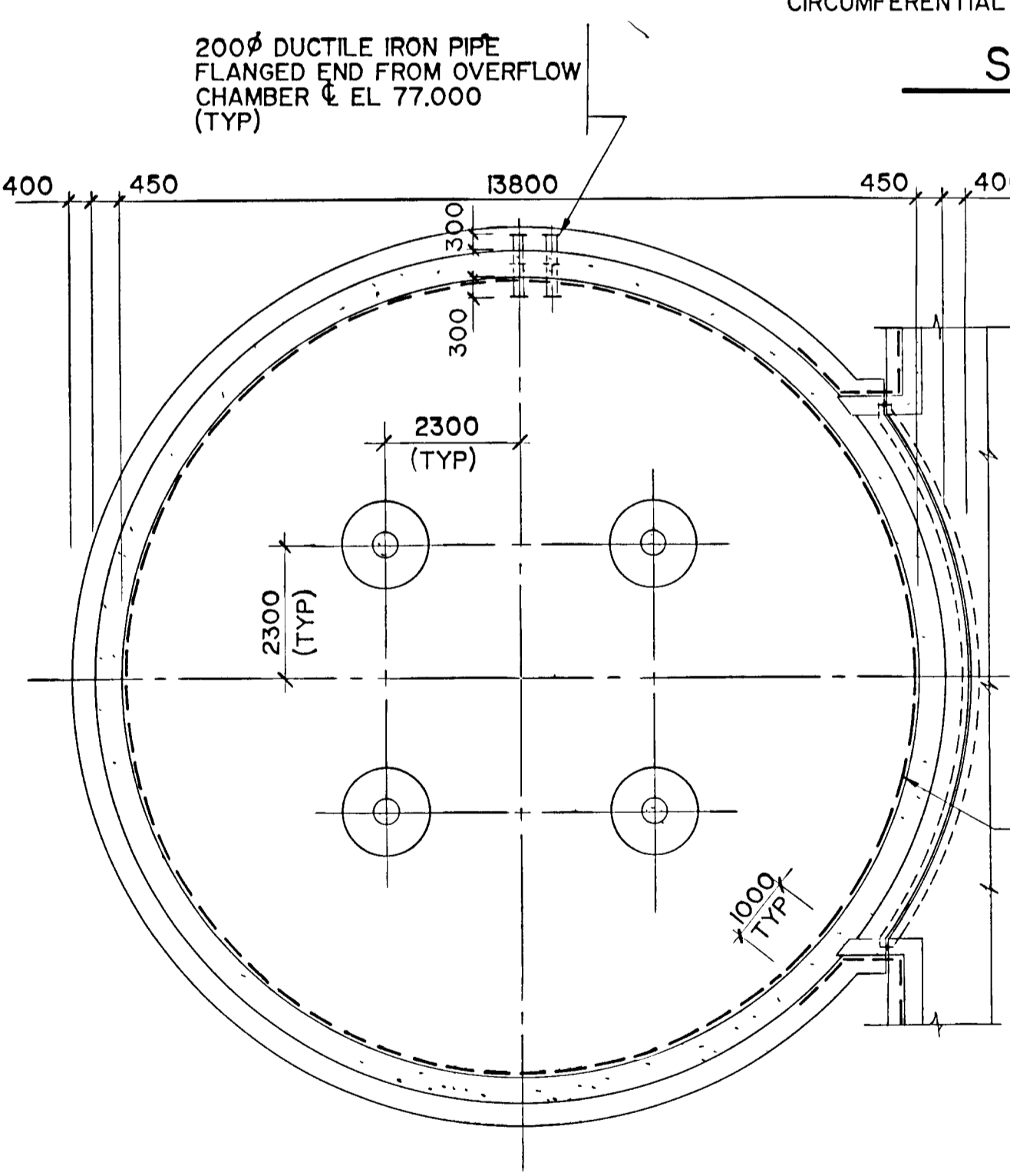
SECTION 3
SI



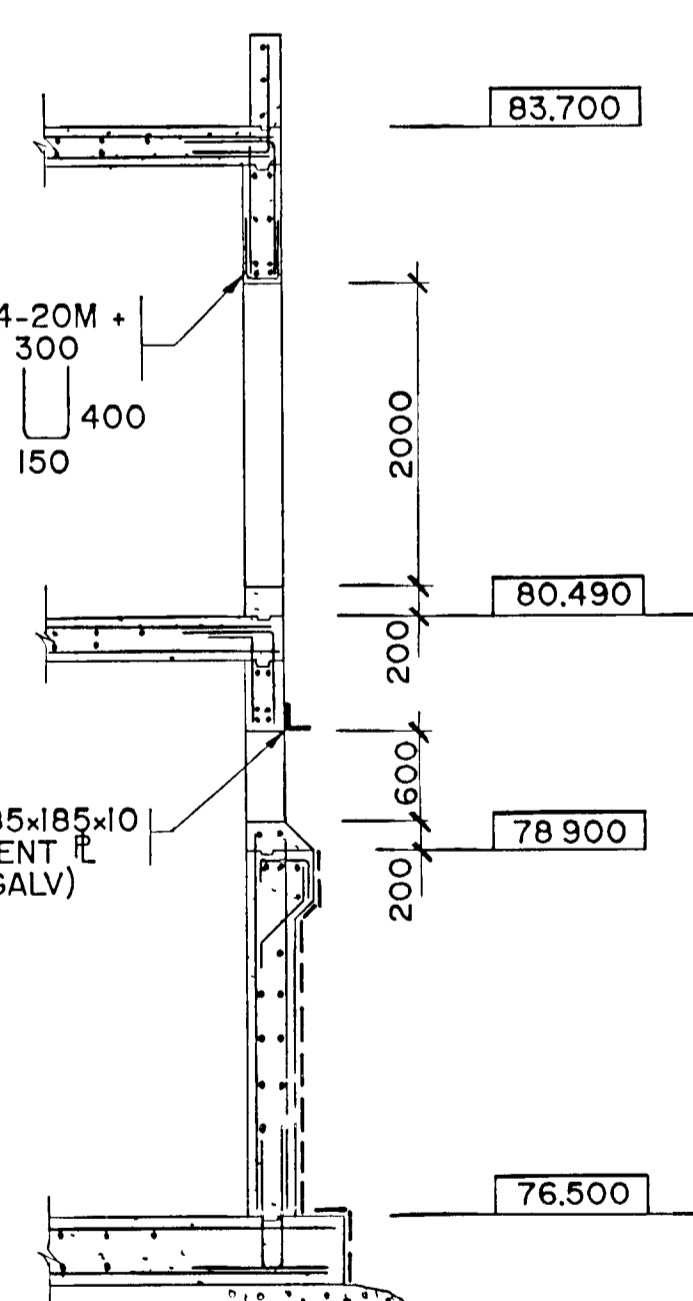
SECTION 7
S4



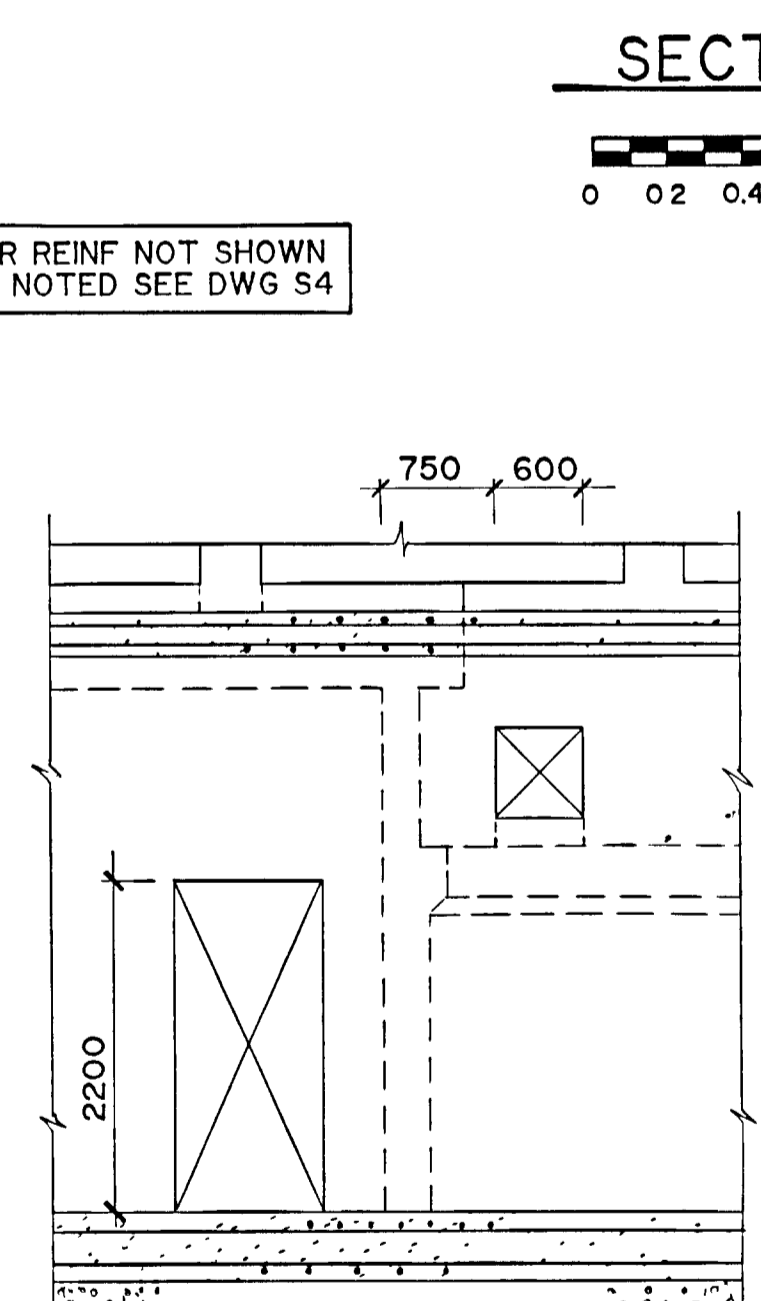
SECTION 4
SI



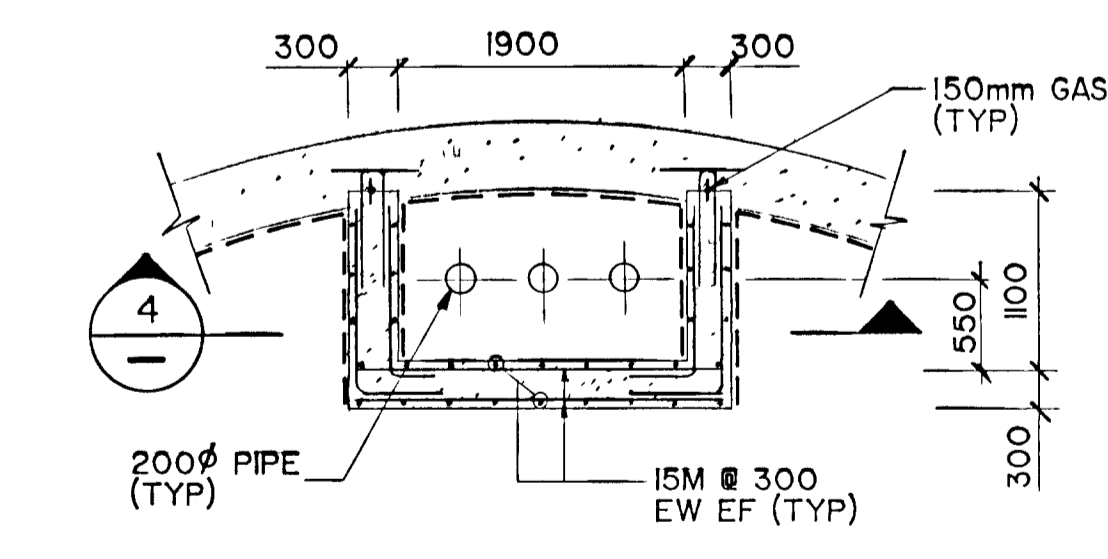
BASE PLAN
0 1.0 2.0 4.0m



SECTION 9
SI, S3



SECTION 10
S3



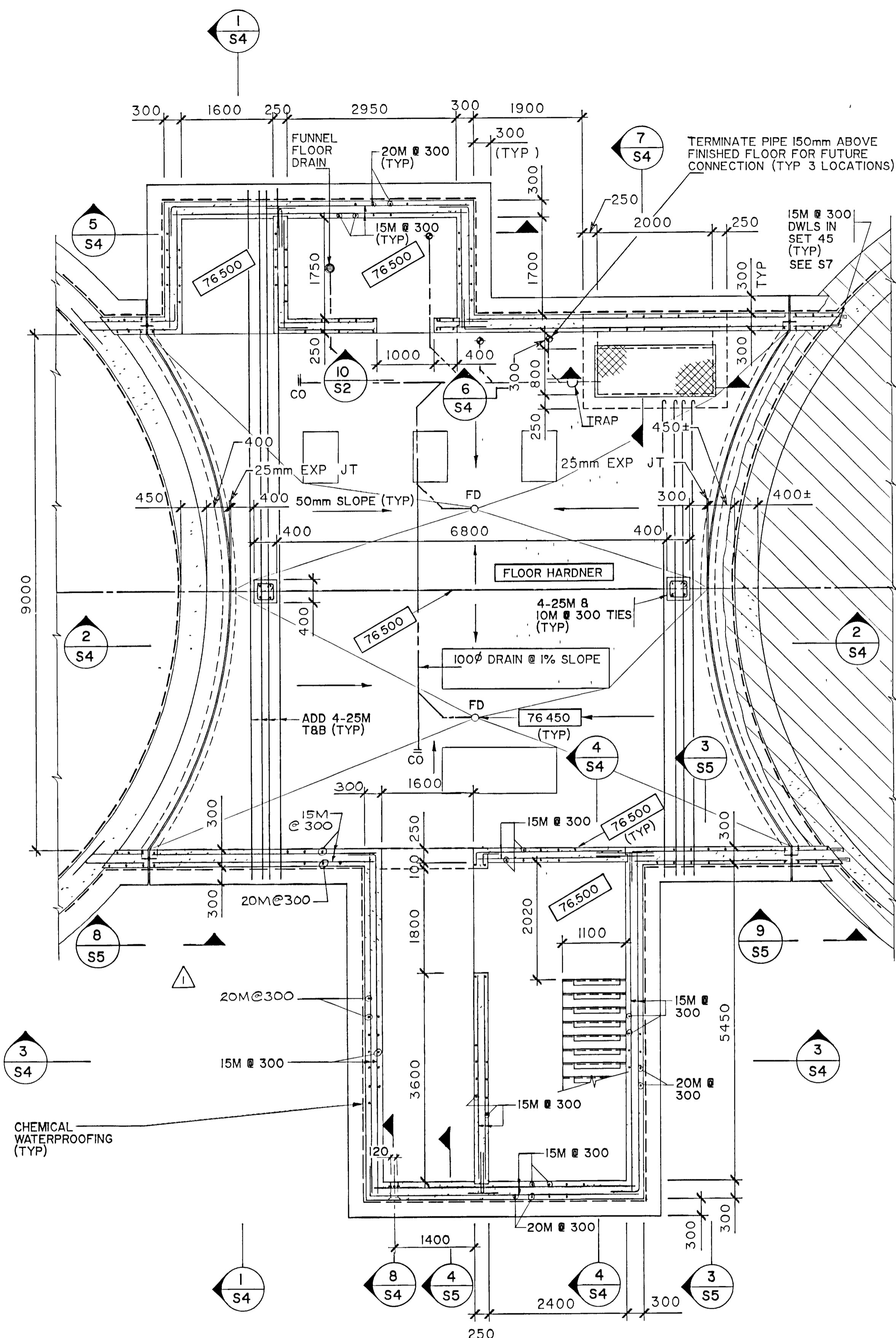
PLAN 8

OVERFLOW CHAMBER
0 0.5 1.0 2.0m

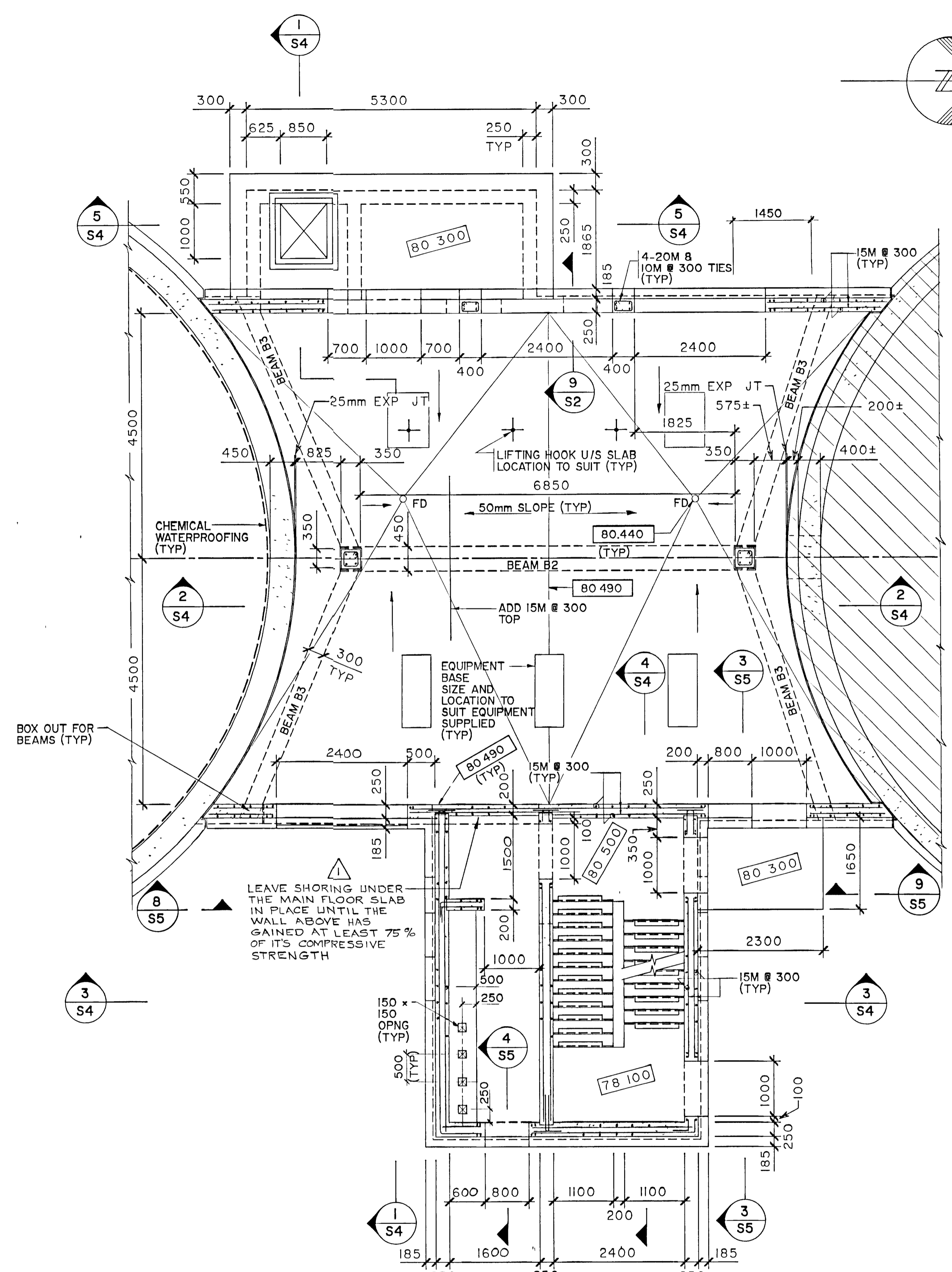
FRAME SIZE 566 x 801 mm
DRAWING SIZE A1 (595 x 841 mm)

<p>NOTES</p>	<p>WPCP 093</p>	<p>CHECKED DESIGNER DEPARTMENT HEAD PROJECT MANAGER</p>			<p>DIGESTION TANK SECTIONS & DETAILS</p>	<p>GREATER NAPANEE WATER SUPPLY & POLLUTION CONTROL BOARD</p> <p>NAPANEE W.P.C.P. UPGRADING CONTRACT I-I CIVIL WORKS</p>	<p>Gore & Storrie Limited </p> <p>Consulting Engineers & Architect</p> <p>DATE: APRIL 1988 SCALE: AS NOTED</p> <p>FILE # 648 07-AI-05924 DRAWING # S2</p> <p style="font-size: small;">SUPERSEDES ALL DRAWINGS BEARING PREVIOUS REVISION NUMBERS</p>
--------------	----------------------------	---	--	--	---	---	---

A B C D E F G H



PLAN AT EL. 77.000

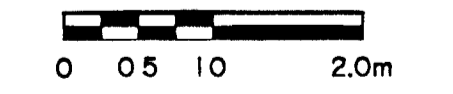


PLAN AT EL. 81.000

COPYRIGHT © GORE & STORRIE LIMITED
 04-05-88 09:15:25 GRS
 **VI JOB 64807 PLAN I PLOT-PARAM I DATA
 FRAME SIZE 566 x 801 mm
 DRAWING SIZE A1 (395 x 641 mm)



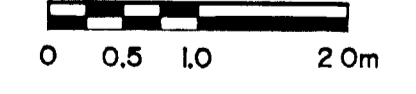
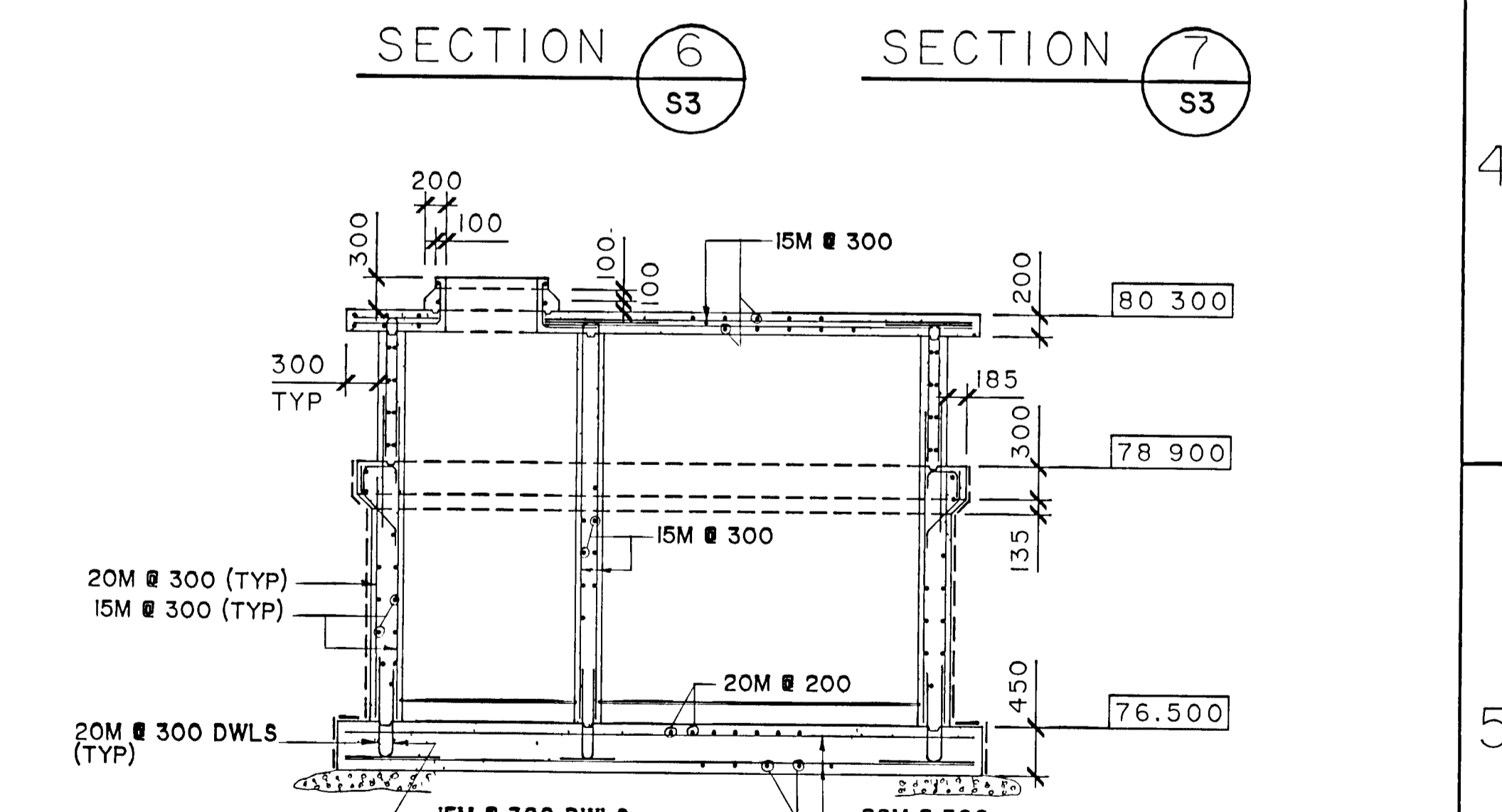
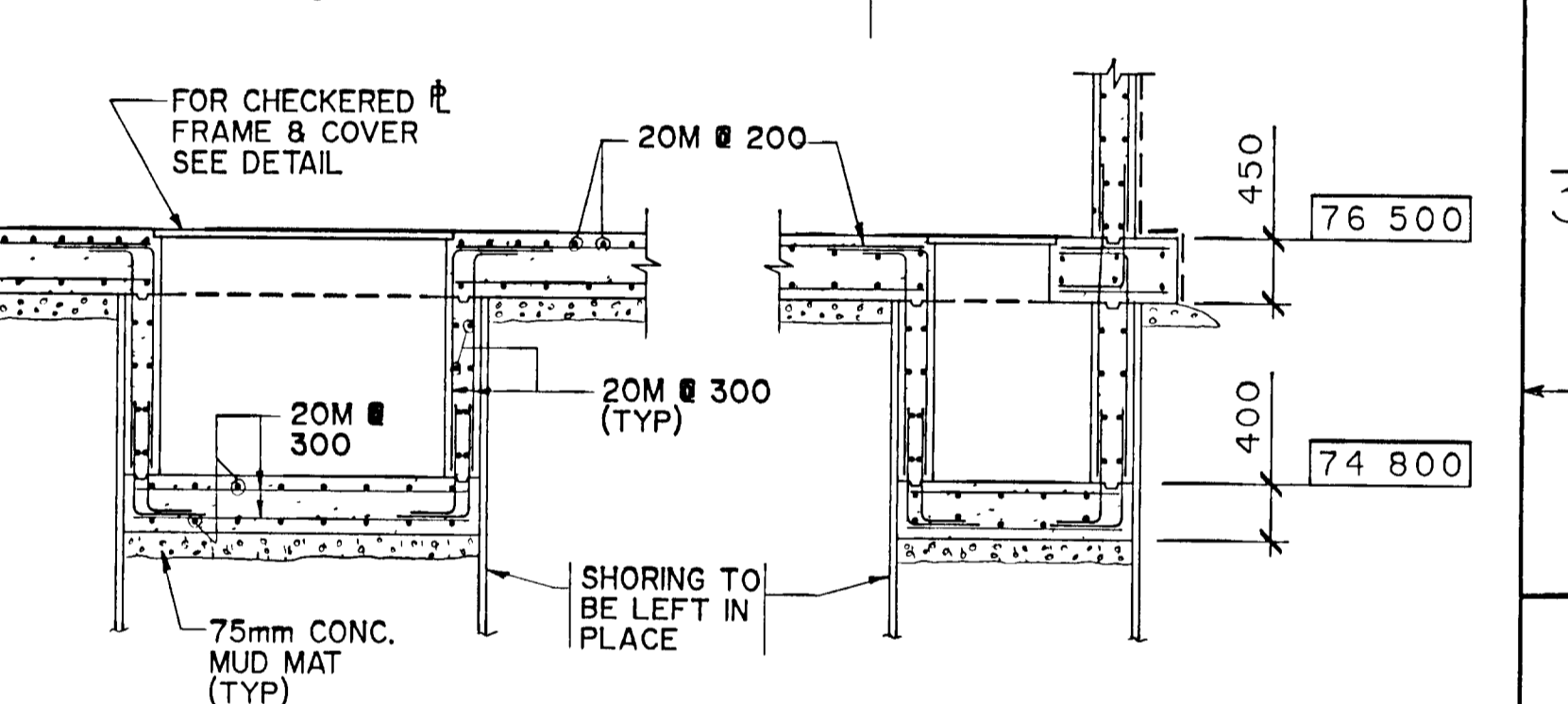
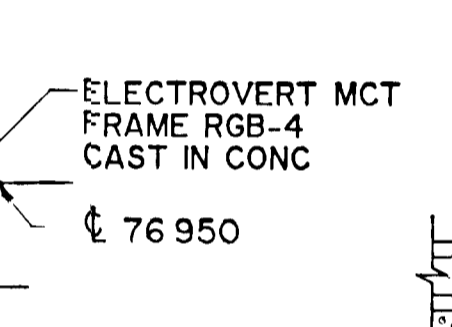
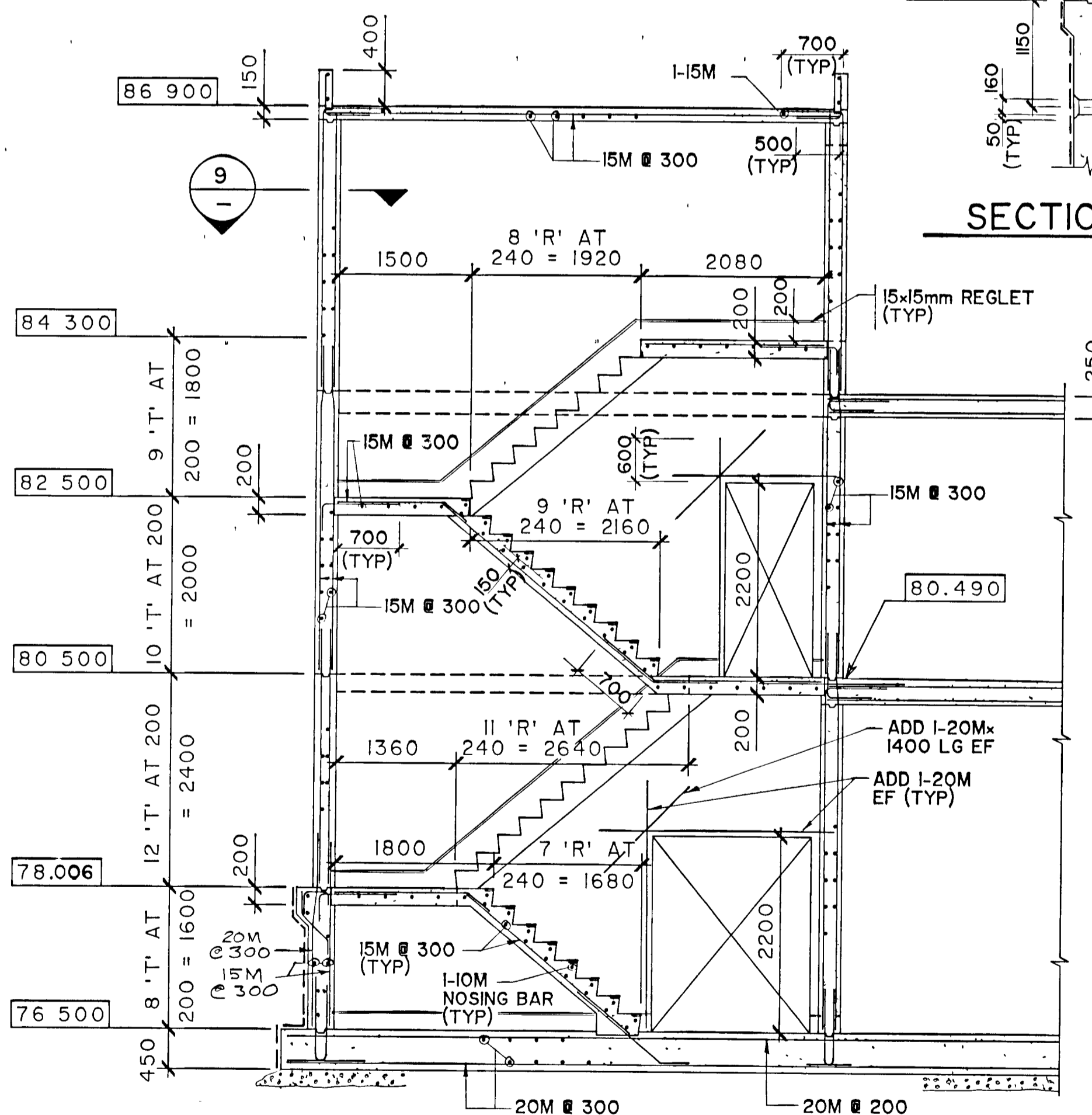
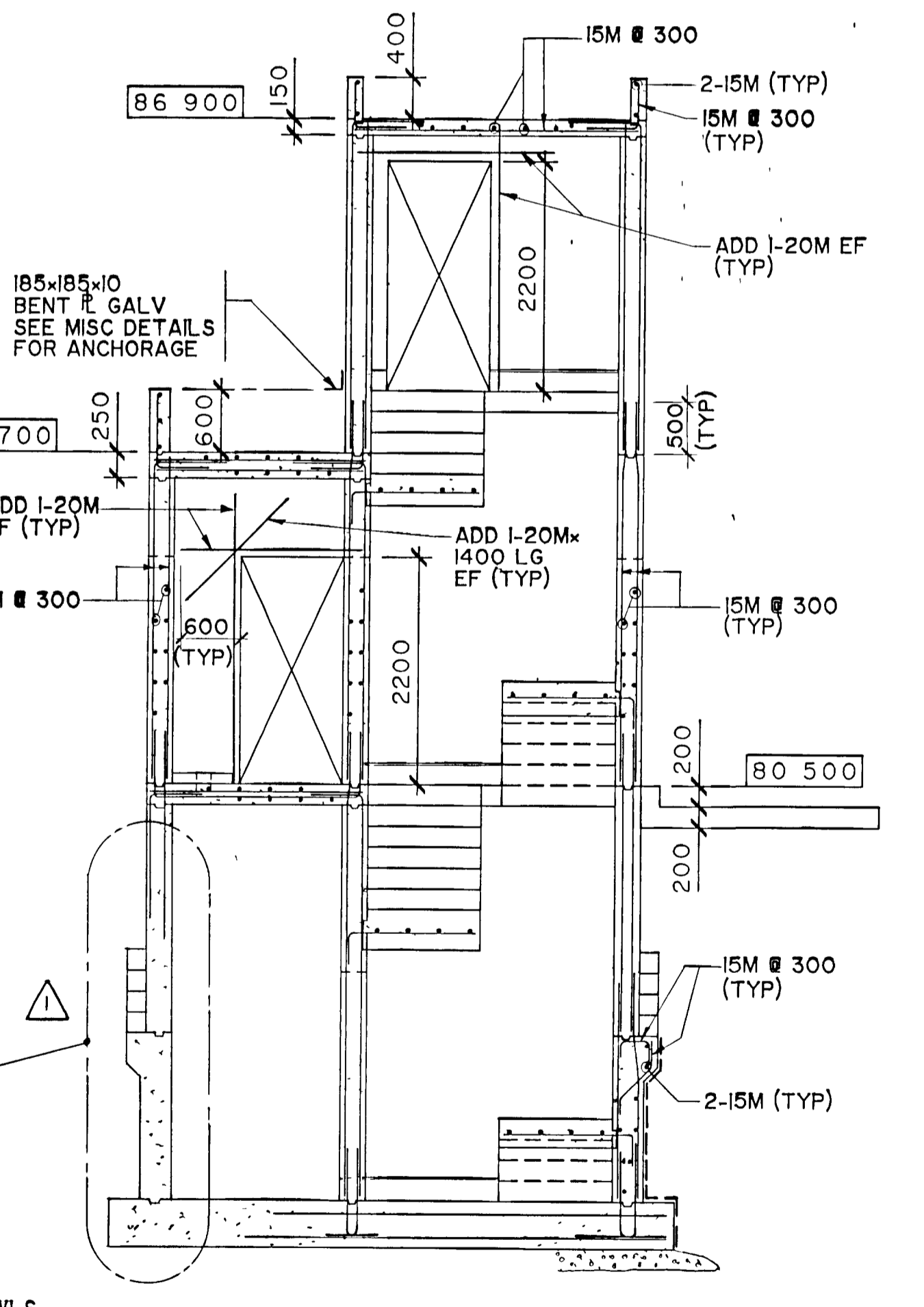
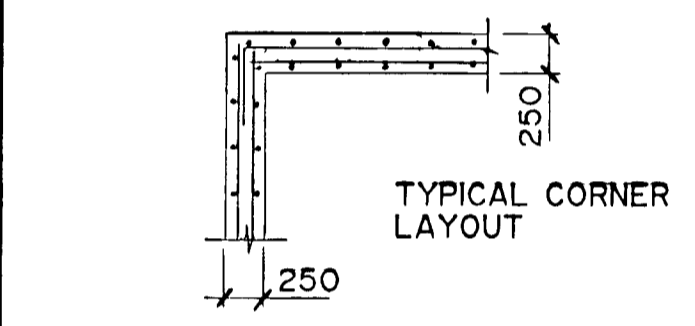
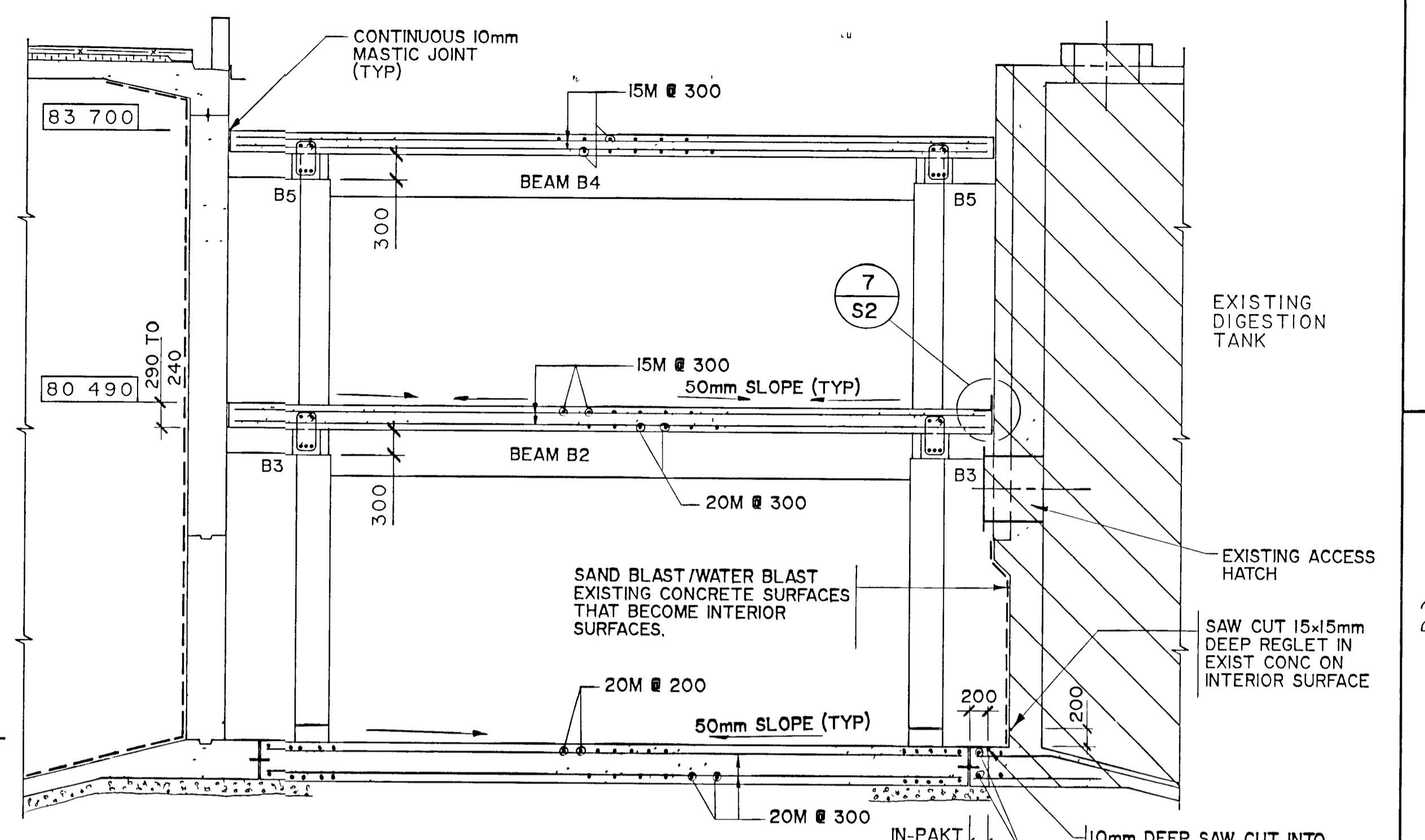
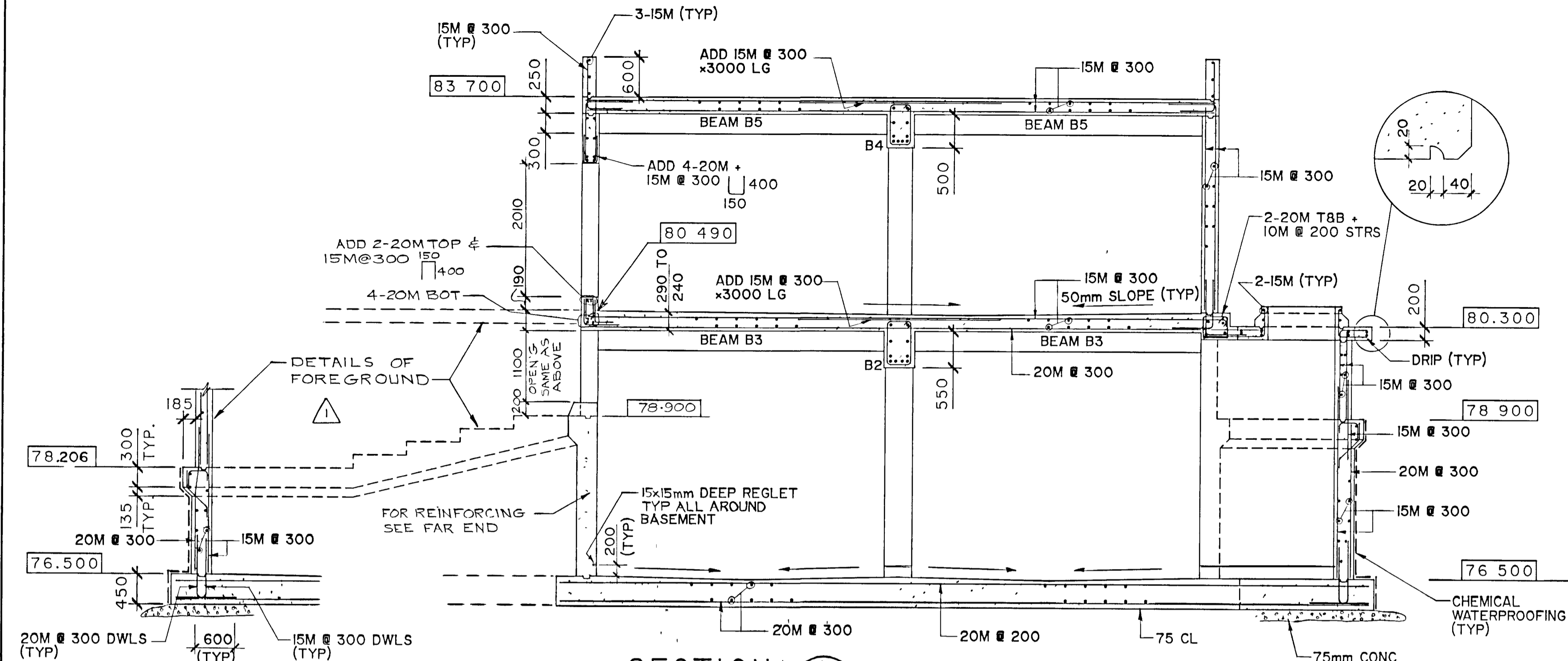
WPCP
094



Copyright © 1988 Gore & Storrie Limited

NOTES REV Δ , AUGUST 1988 RECORD DRAWING DATE: _____ DESIGNED: P.E. DULLERUD PROJECT MANAGER: H.A.B. DIVISION HEAD: _____ GORE & STORRIE LIMITED	CHECKED: _____ DESIGNER: P.E. DULLERUD PROJECT MANAGER: H.A.B. DIVISION HEAD: _____ GORE & STORRIE LIMITED	REGISTERED PROFESSIONAL ENGINEER P.E. DULLERUD 1984/188 PROVINCE OF ONTARIO	REGISTERED PROFESSIONAL ENGINEER H.A.B. 1984/188 PROVINCE OF ONTARIO	DIGESTER CONTROL BUILDING PLANS	GREATER NAPANEE WATER SUPPLY & POLLUTION CONTROL BOARD	Gore & Storrie Limited GSS Consulting Engineers & Architects
					NAPANEE W.P.C.P. UPGRADING CONTRACT I-I CIVIL WORKS	DATE: APRIL 1988 SCALE: AS NOTED

SUPERSEDES ALL DRAWINGS BEARING PREVIOUS REVISION NUMBERS



FRAME SIZE 566 x 801 mm
DRAWING SIZE A1 (595 x 841 mm)

NOTES
REV 1, AUGUST 1988
AS CONSTRUCTED

RECORD DRAWING
DATE: DECEMBER, 1990

CHECKED
DESIGNER
PROJECT MANAGER

Napanee UTILITIES
WPCP 095

REGISTERED PROFESSIONAL ENGINEER
P. E. DULLERUD
PROVINCE OF ONTARIO

REGISTERED PROFESSIONAL ENGINEER
C. CAMERON
PROVINCE OF ONTARIO

Gore & Storrie Limited

DIGESTER CONTROL BUILDING SECTIONS

GREATER NAPANEE WATER SUPPLY & POLLUTION CONTROL BOARD

NAPANEE W.P.C.P. UPGRADING CONTRACT I-1 CIVIL WORKS

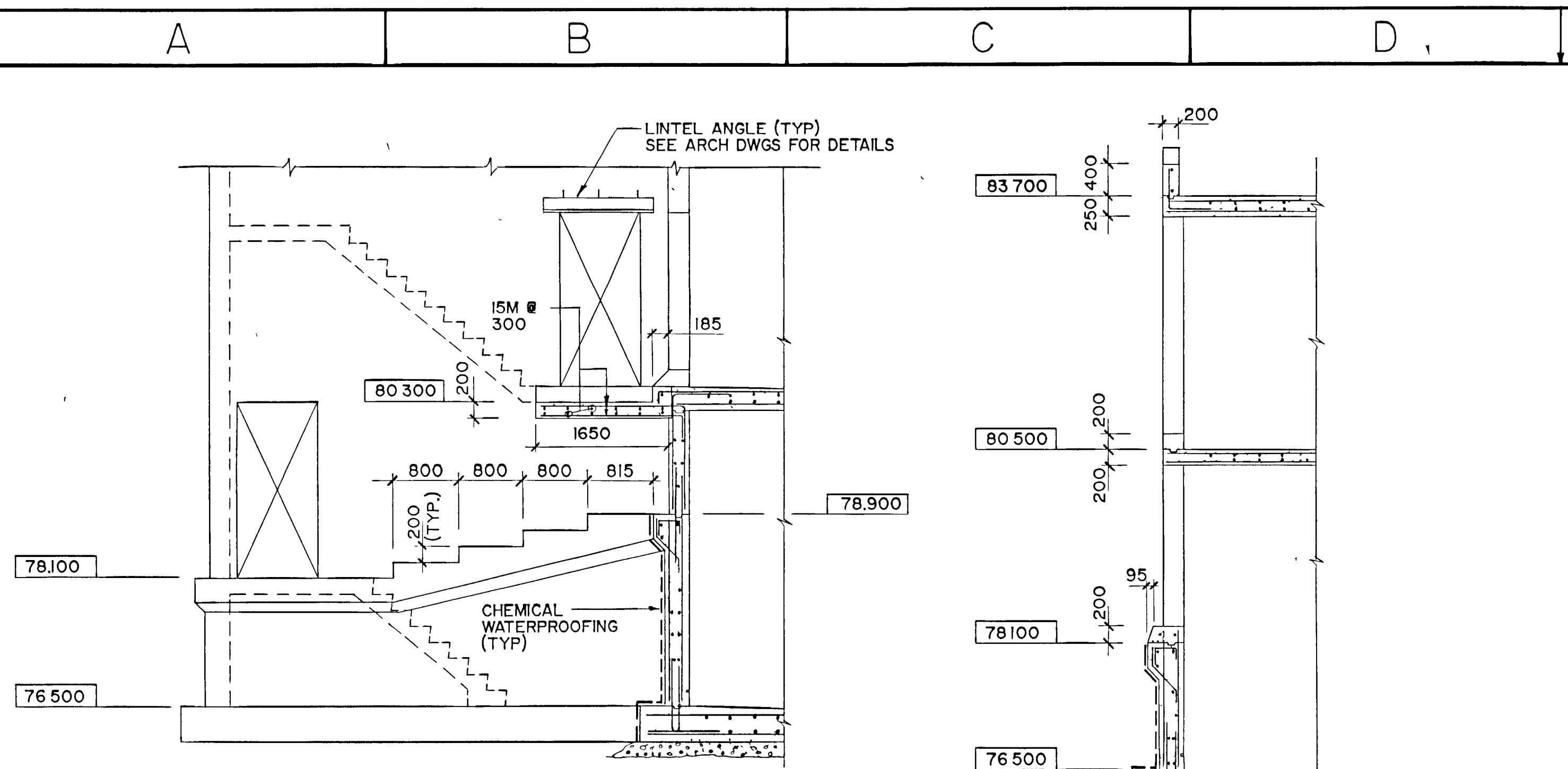
Copyright © 1988 Gore & Storrie Limited

Gore & Storrie Limited G&S
Consulting Engineers & Architects

DATE: APRIL 1988
SCALE: AS NOTED

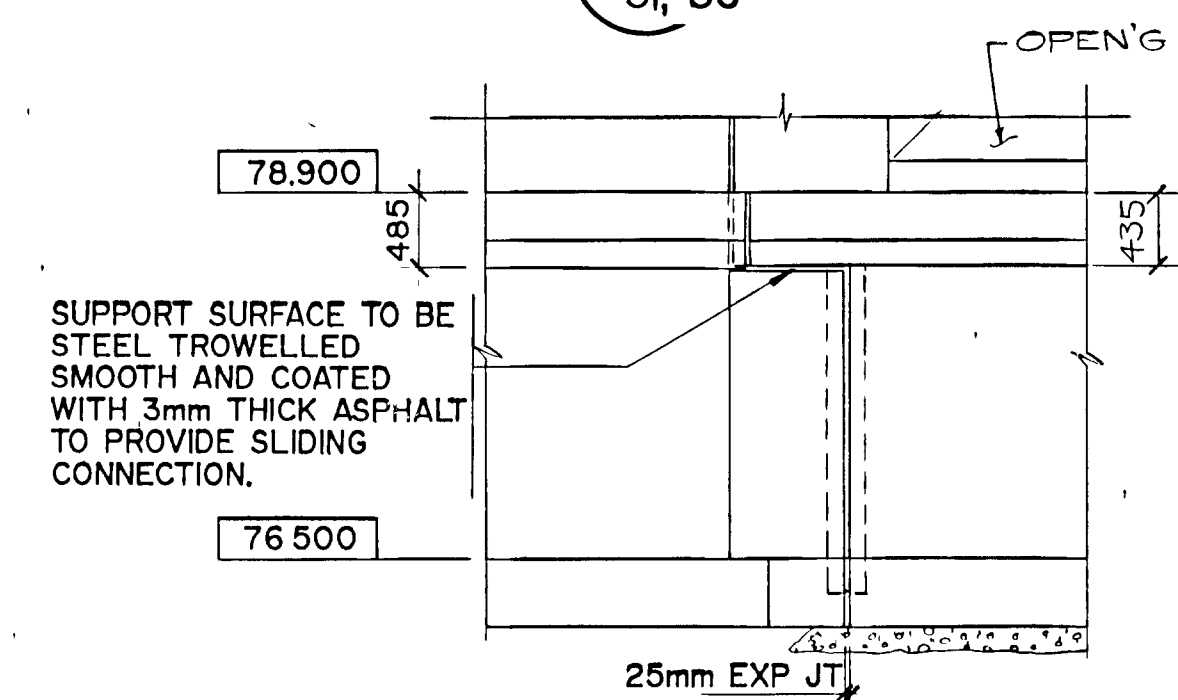
FILE NO: 648.07-AI-05926
DRAWING NO: S4

SUPERSEDES ALL DRAWINGS BEARING PREVIOUS REVISION NUMBERS

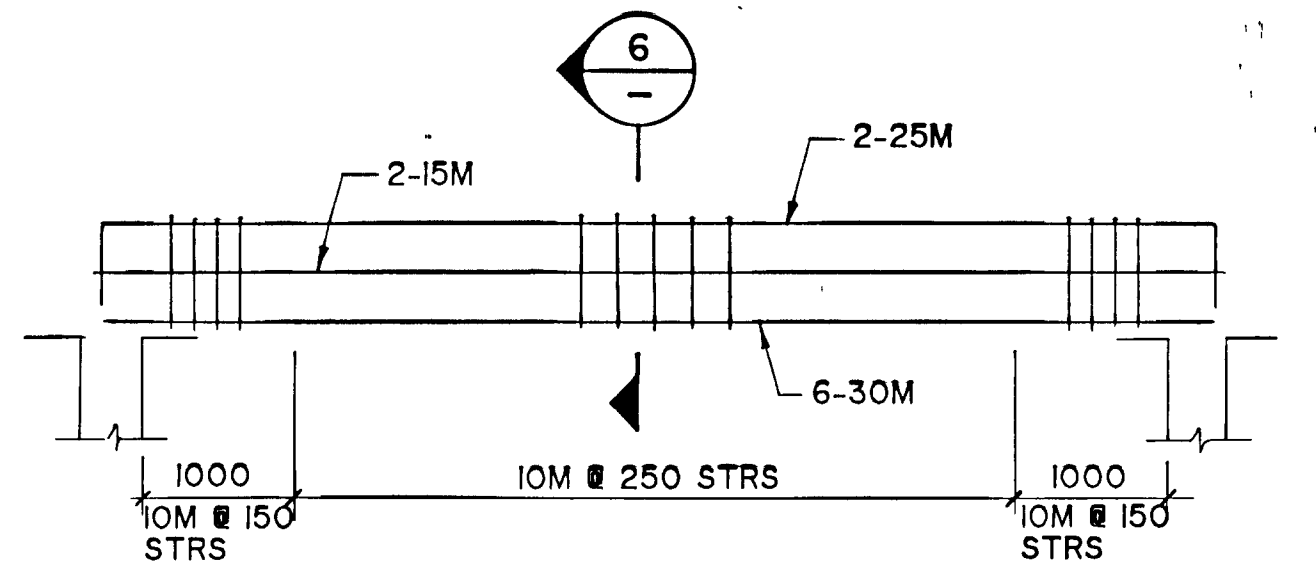


SECTION 3
S3

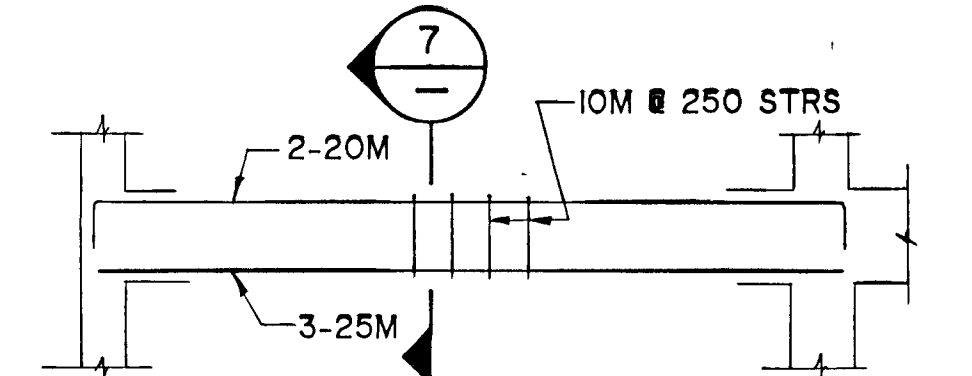
SECTION 4
S1, S3



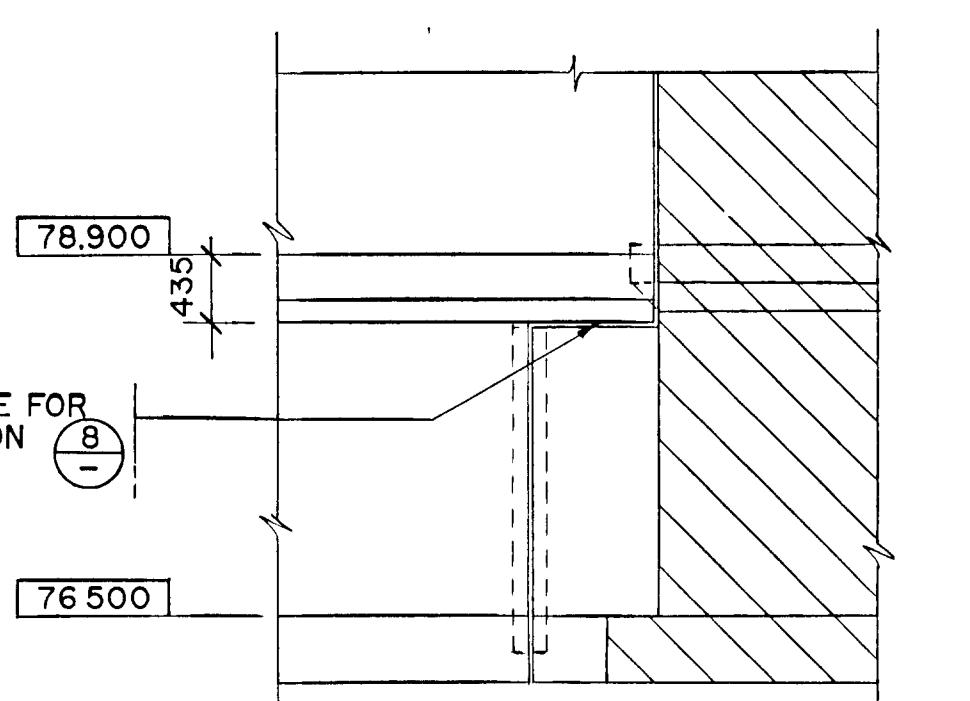
ELEVATION 8
S3



SECTION 6
S3

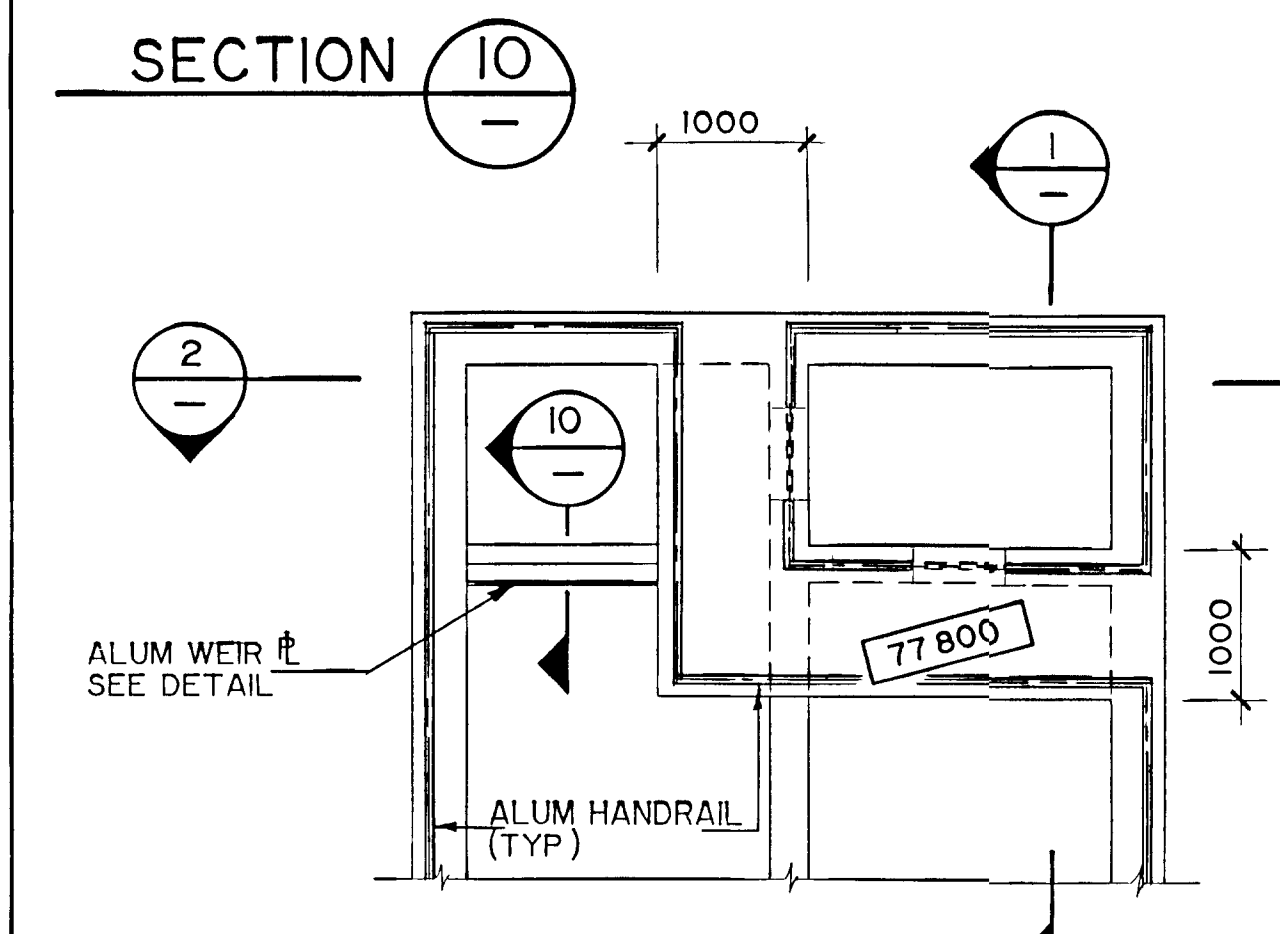


SECTION 7
S3



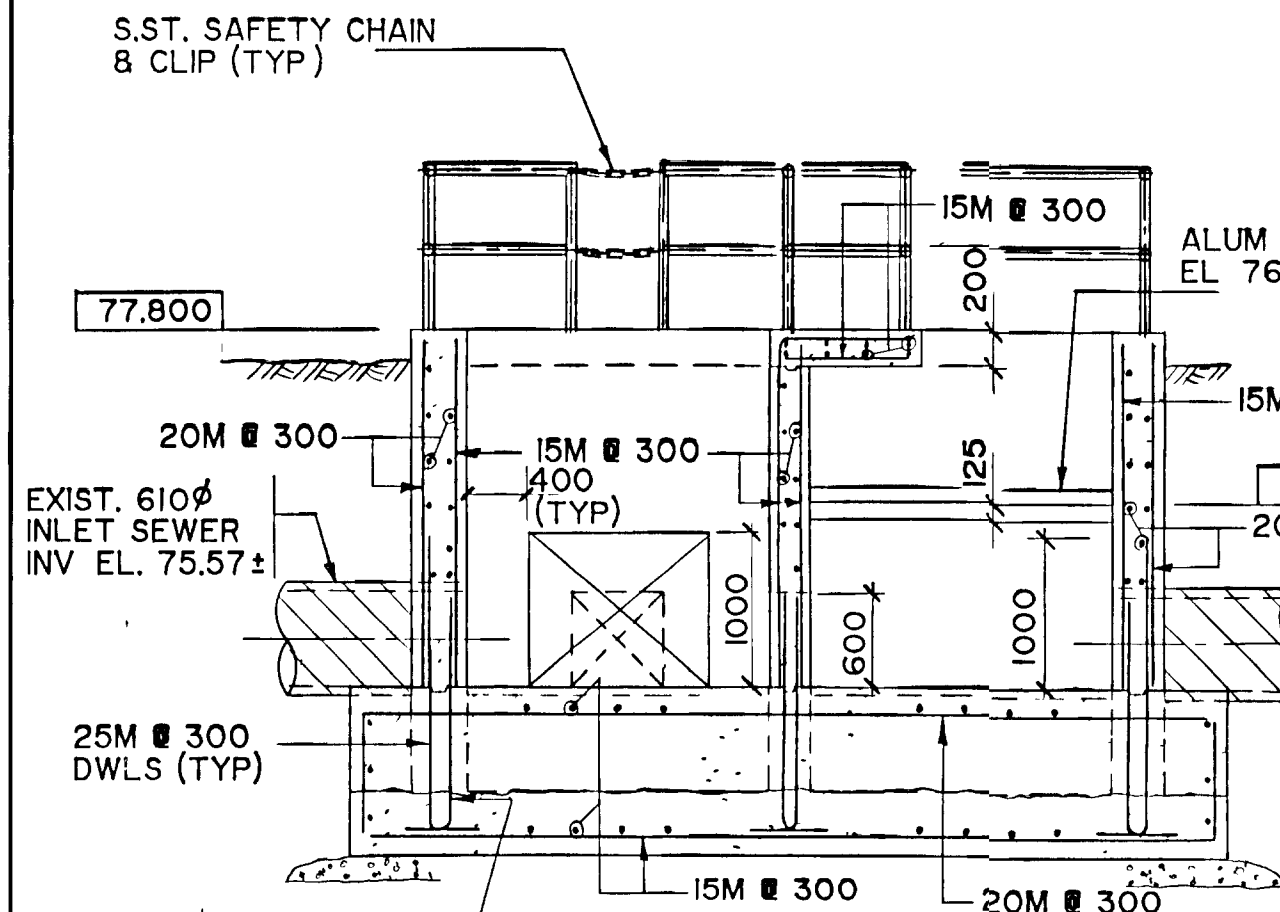
ELEVATION 9
S3

NOTES:
 1 EXISTING INLET SEWER TO REMAIN IN PLACE UNTIL CONSTRUCTION OF TANK IS COMPLETE
 2 UNDERPIN THE PIPE DURING CONSTRUCTION TO PREVENT DAMAGE TO THE PIPE. SEE S7

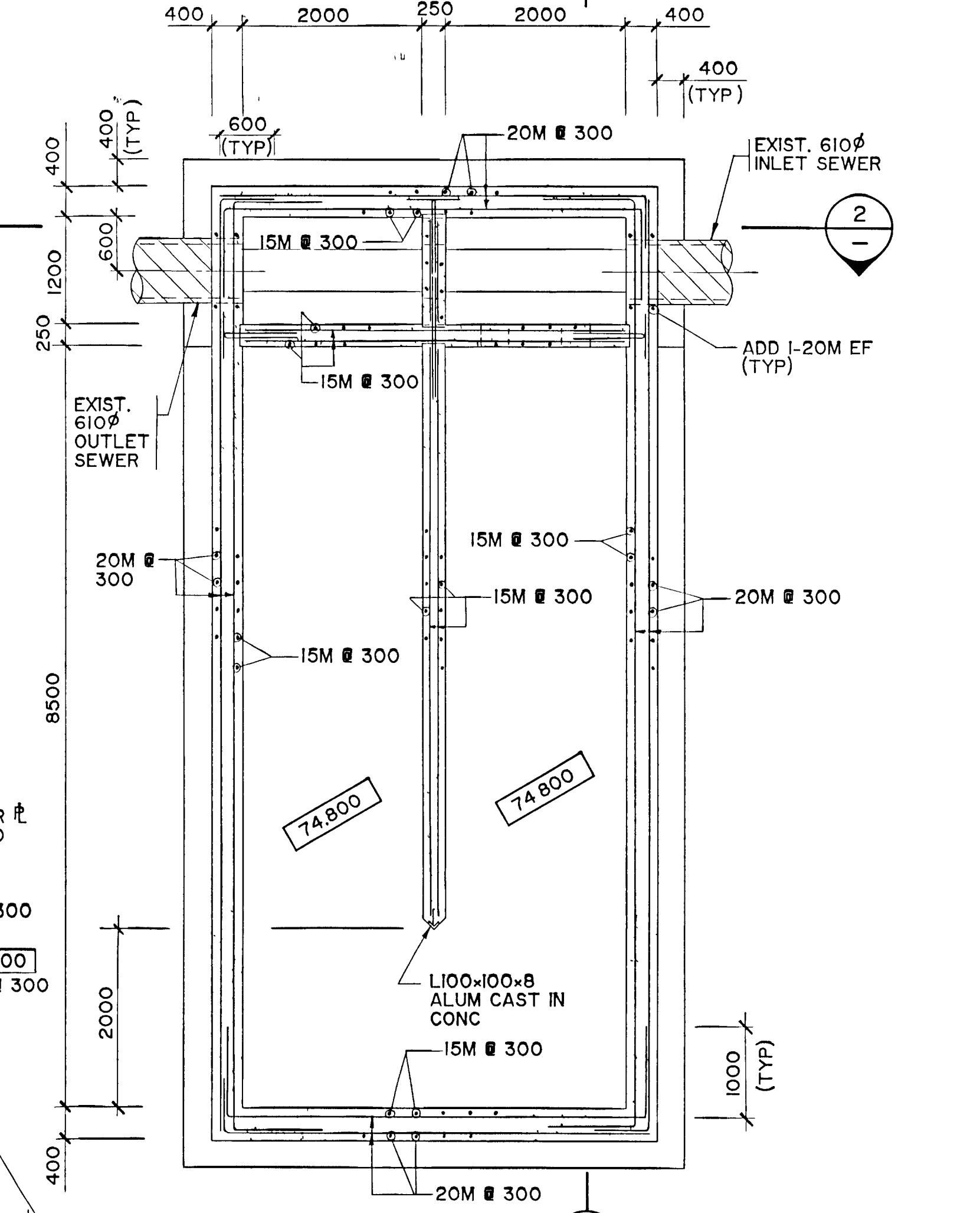


SECTION 10
S3

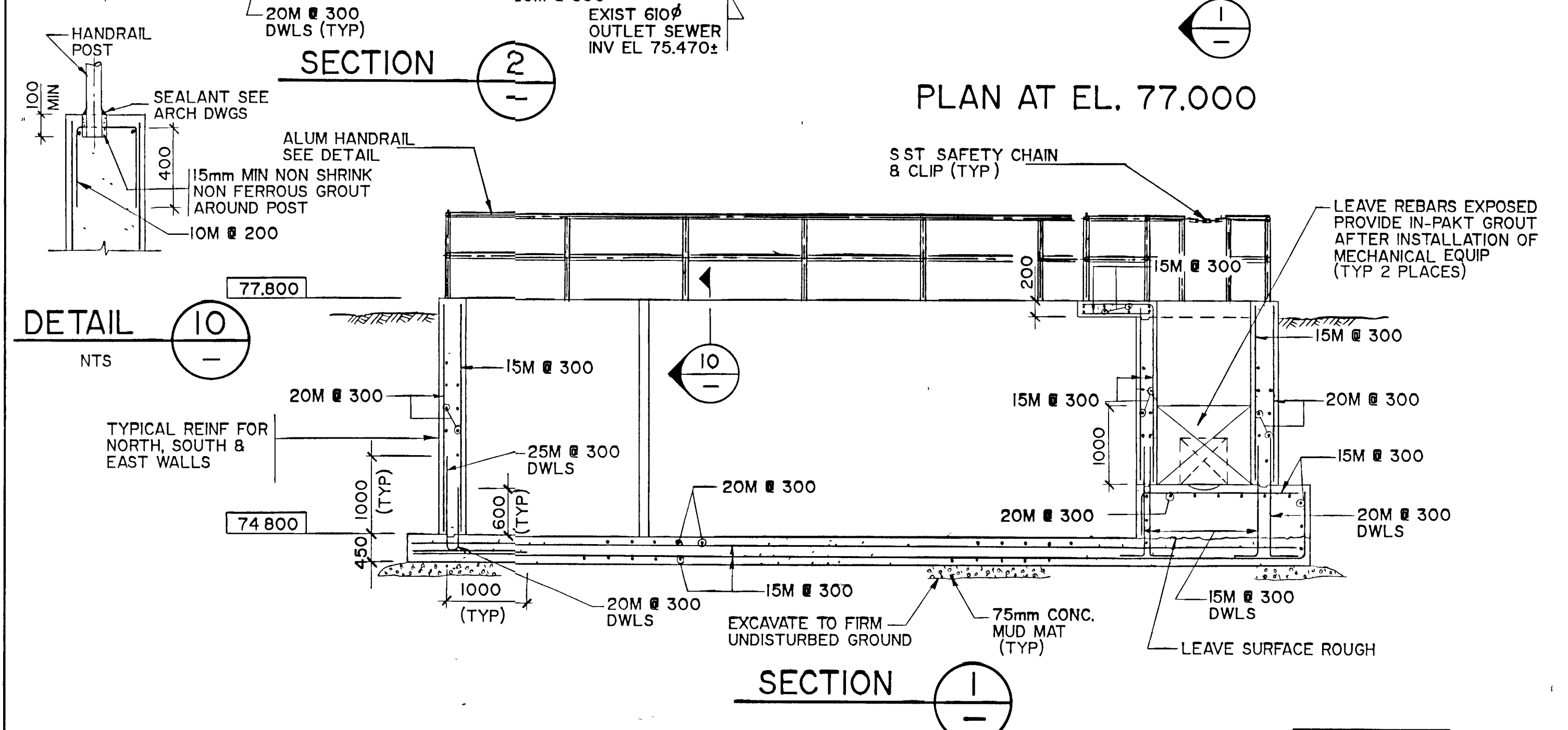
PART PLAN AT EL. 78.500



SECTION 2
S3



PLAN AT EL. 77.000



SECTION 1
S3

CHLORINE CONTACT TANK



Copyright © 1988 Gore & Storrie Limited

FRAME SIZE 566 x 801 mm
DRAWING SIZE A1 (595 x 841 mm)



NOTES
 REV A, AUGUST 1988
 AS CONSTRUCTED
 RECORD DRAWING
 DECEMBER 1990
 DATE

CHECKED
 DESIGNER
 PROJECT MANAGER
 DIVISION HEAD
 P. E. DULLERUD
 H. A. B.
 REGISTERED PROFESSIONAL ENGINEER
 PROVINCE OF ONTARIO
 REGISTERED PROFESSIONAL ENGINEER
 PROVINCE OF ONTARIO
 Gore & Storrie Limited

DIGESTER CONTROL BUILDING - SECTIONS
 & CHLORINE CONTACT TANK

GREATER NAPANEE WATER SUPPLY &
 POLLUTION CONTROL BOARD

NAPANEE W.P.C.P. UPGRADING
 CONTRACT I-I CIVIL WORKS

Gore & Storrie Limited G&S
 Consulting Engineers & Architects
 DATE APRIL 1988
 SCALE AS NOTED
 FILE # 648 07-AI-05927
 DRAWING # S5

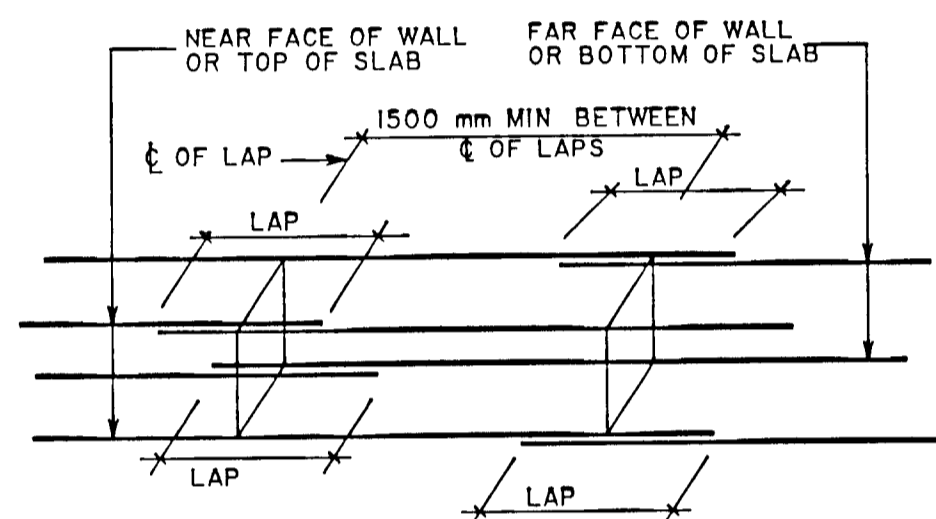
SUPERSEDES ALL DRAWINGS BEARING PREVIOUS REVISION NUMBERS

ONLY FOR 25 MPa CONCRETE, NORMAL WEIGHT 400 MPa REBAR		
BAR SIZE	TOP BARS (mm)	OTHER BARS (mm)
10M	500	350
15M	700	500
20M	850	600
25M	1400	1000
30M	2000	1400
35M	2800	2000

NOTES

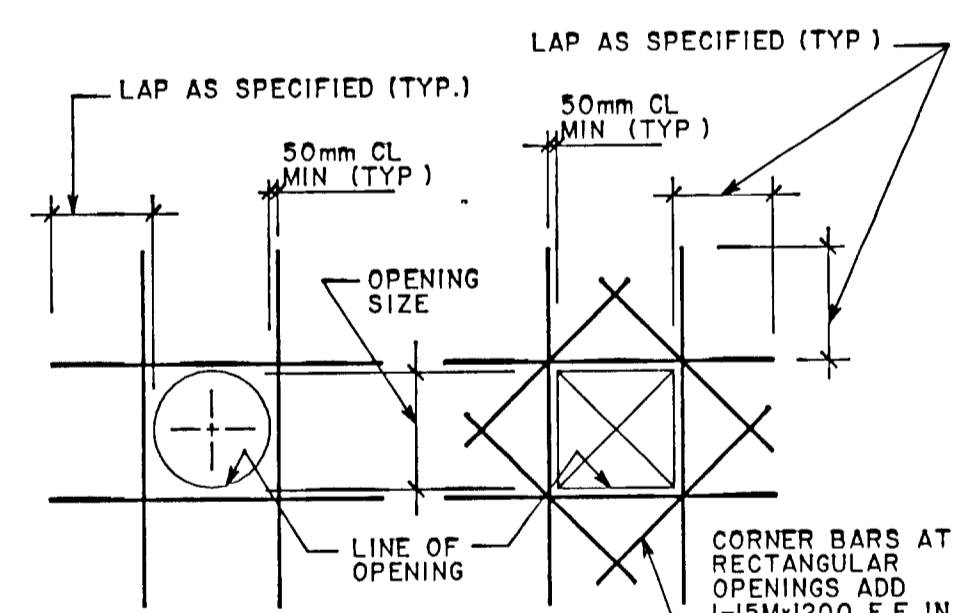
- TOP BARS ARE
 - ALL BARS IN SLABS AND BEAMS WITH MORE THAN 300mm CONCRETE BELOW
 - ALL HORIZONTAL BARS IN WALLS
- ALTERNATE BARS LAPS IN EACH FACE AND OPPOSITE FACES TO BE STAGGERED 1500mm MINIMUM

REBAR LAP TABLE



NOTE
LAP LENGTH AS SPECIFIED OR INDICATED ON DRAWINGS

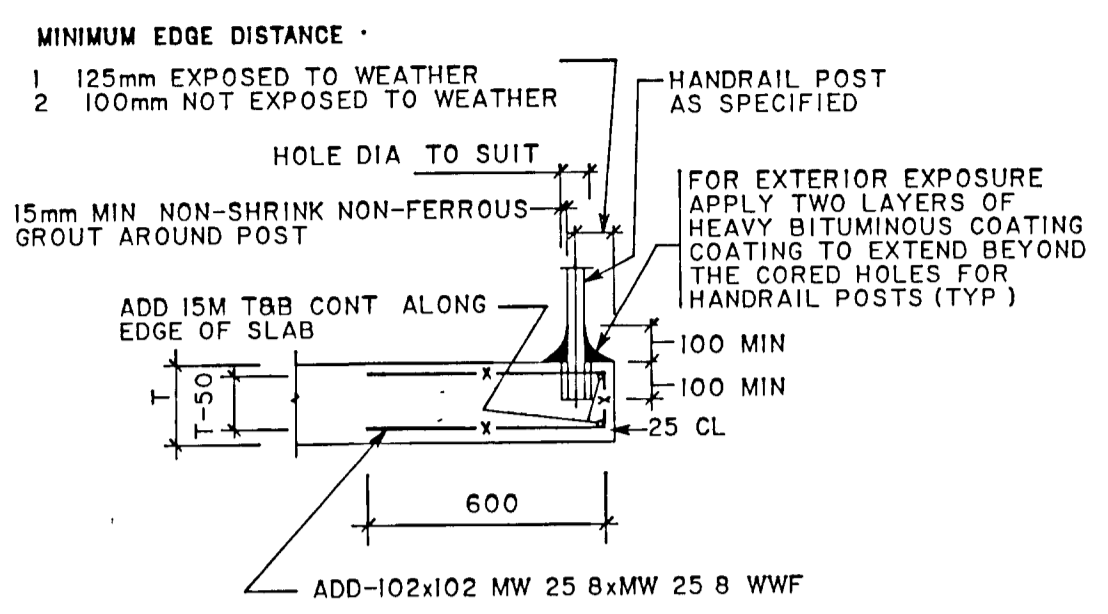
TYPICAL LAP ARRANGEMENT FOR HORIZONTAL STEEL



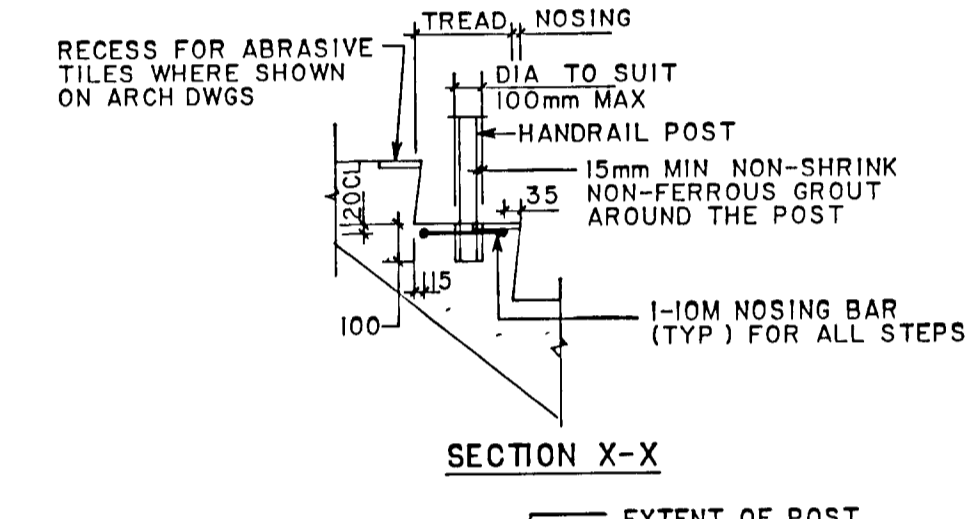
CIRCULAR SQUARE OR RECTANGULAR

NOTES
FOR OPENINGS 150mm OR LARGER ADD EXTRA BARS AS SHOWN EQUIVALENT IN AREA TO REINFORCING CUT BY OPENING UNLESS OTHERWISE NOTED ON THE DRAWINGS
FOR OPENINGS UP TO 150mm EXTRA BARS ARE REQUIRED. ADJUST REGULAR REINFORCING AROUND OPENINGS THUS

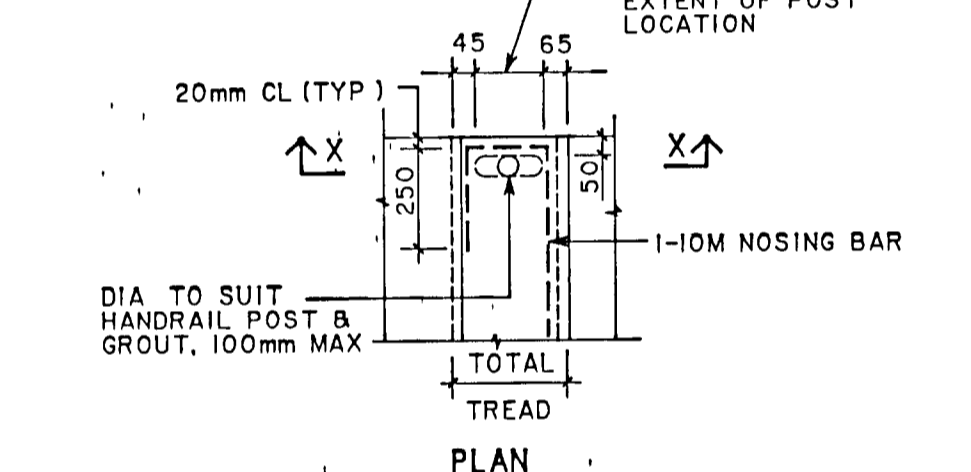
EXTRA REINFORCING AT OPENINGS IN WALLS AND SLABS (UNLESS NOTED OTHERWISE)



HANDRAIL POST SET IN SLAB

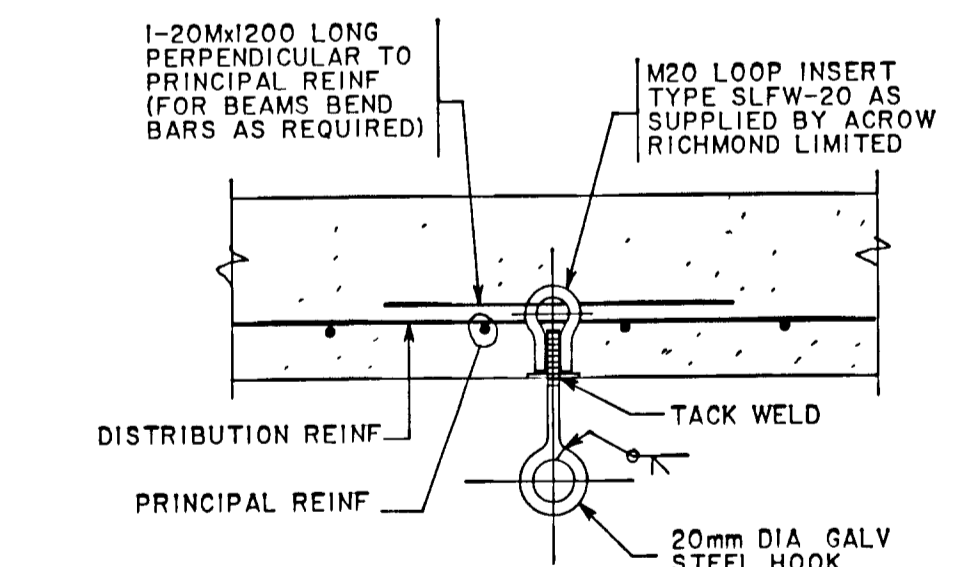


SECTION X-X



PLAN

DETAIL OF ADDITIONAL REINFORCING AT STAIR TREADS



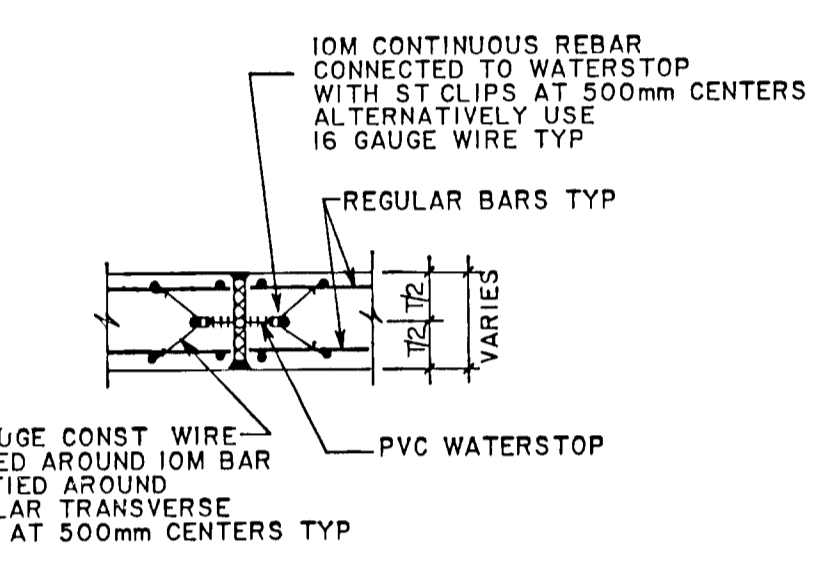
LIFTING RING IN CONCRETE



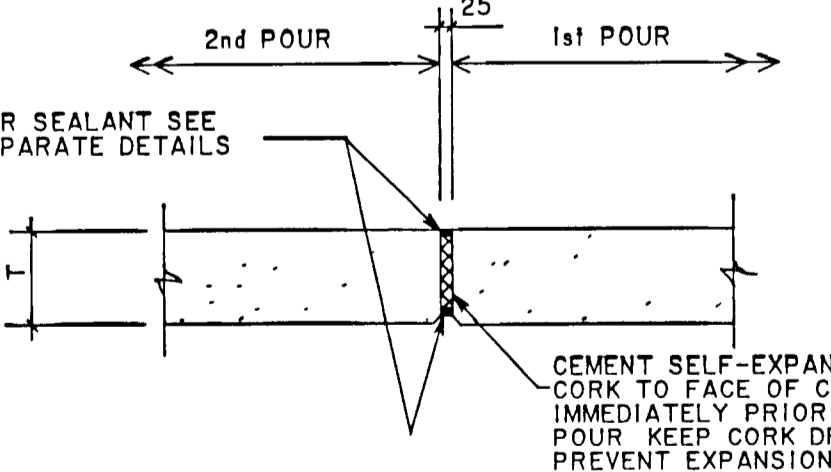
NOTES

- JOIN WATERSTOP TO FORM A CONTINUOUS UNBROKEN WATERSEAL IN ALL PARTS OF STRUCTURE AT EXPANSION JOINT
- WATERSTOP AT SPlice LOCATIONS AND INTERSECTIONS SHALL BE JOINED TOGETHER AS PER MANUFACTURER'S PRINTED INSTRUCTIONS
- ALL 'TEES' AND 'CROSSES' AND OTHER SPECIAL INTERSECTIONS SHALL BE FACTORY-MADE ASSEMBLIES

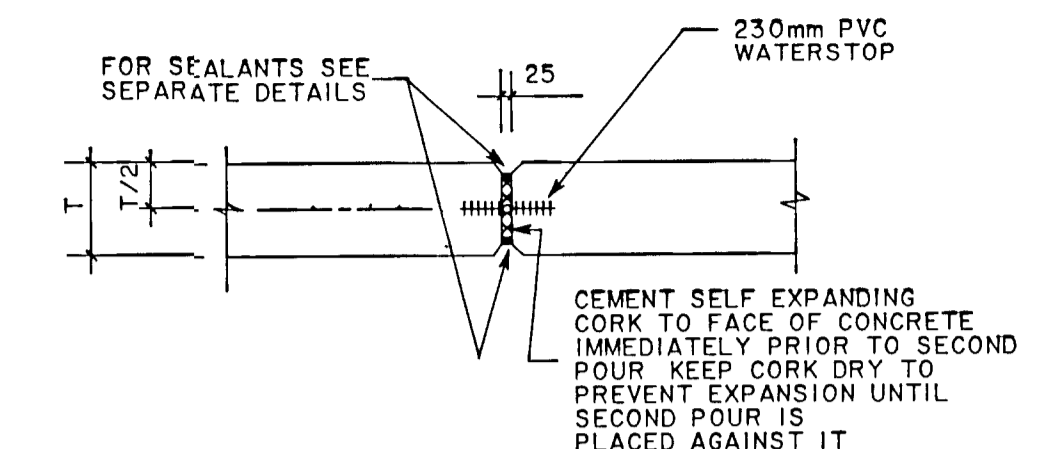
PVC WATERSTOP



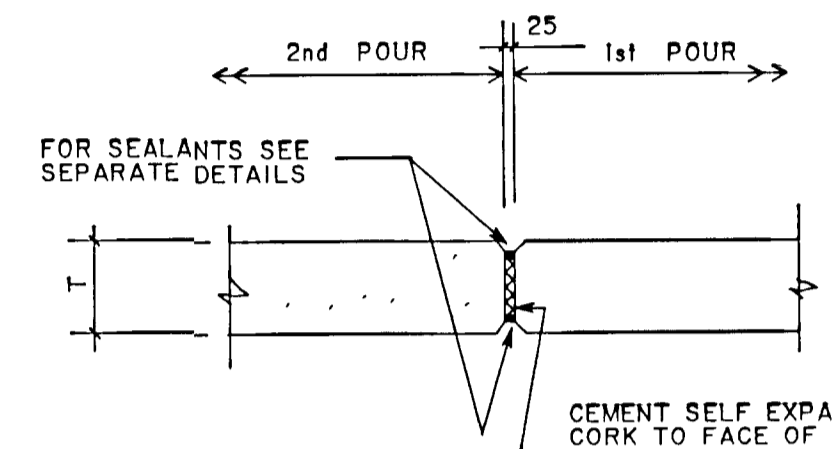
TYPICAL WATERSTOP ANCHORAGE DETAIL AT EXPANSION JOINT IN SLAB OR WALL WITH REINFORCING ON BOTH FACES



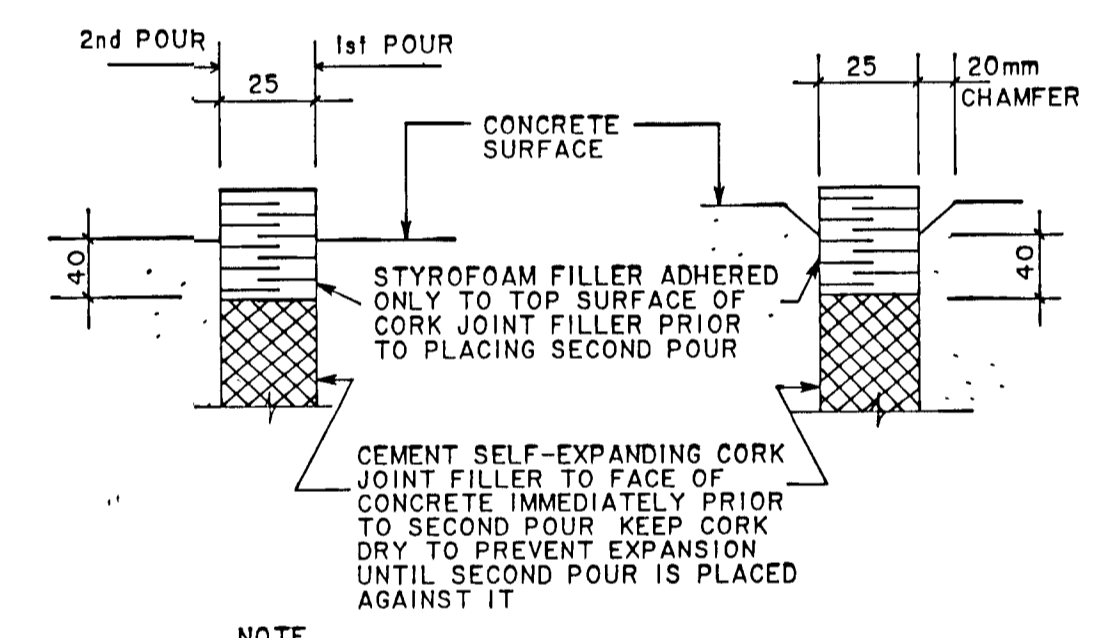
EXPANSION JOINT WITHOUT WATERSTOP SUSPENDED SLABS



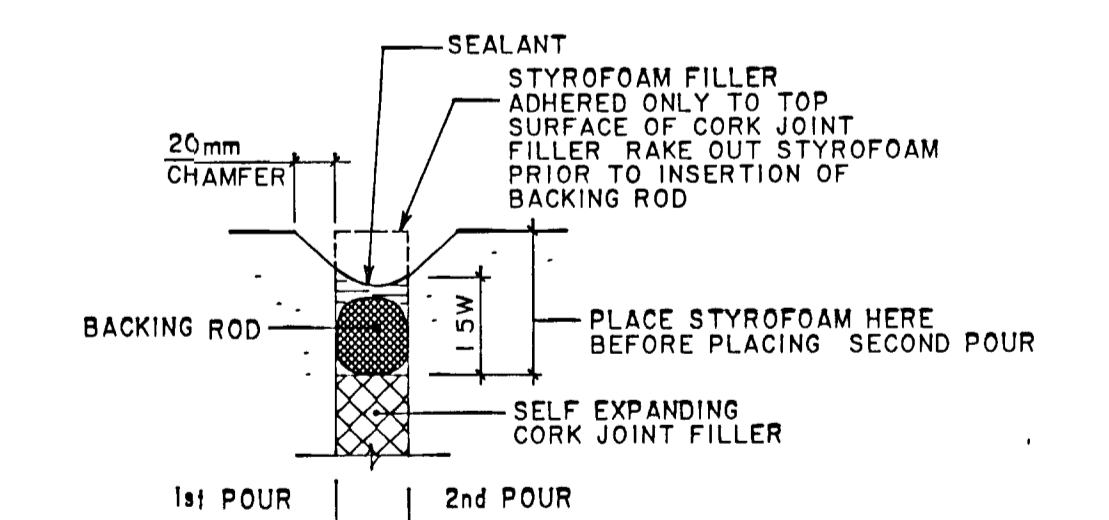
EXPANSION JOINT WITH WATERSTOP WALLS



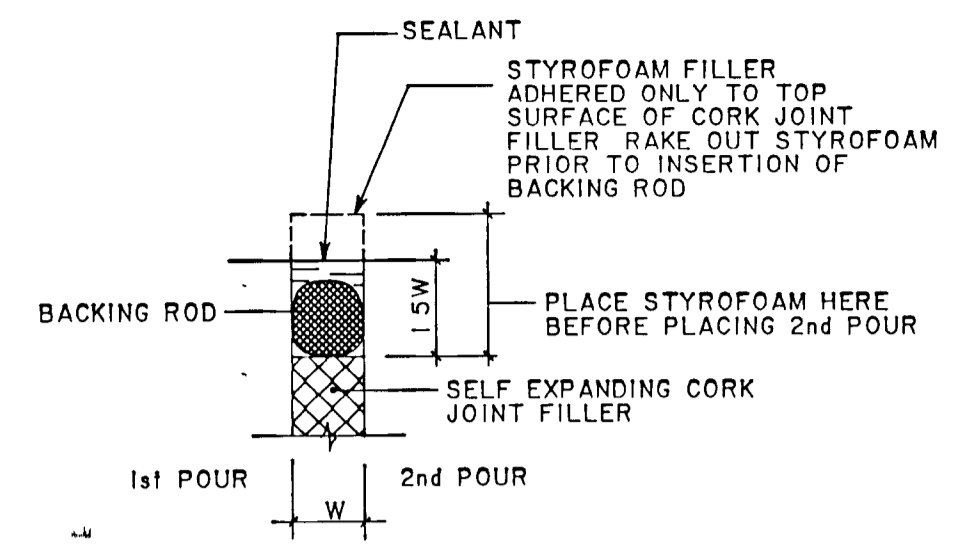
EXPANSION JOINT WITHOUT WATERSTOP WALLS



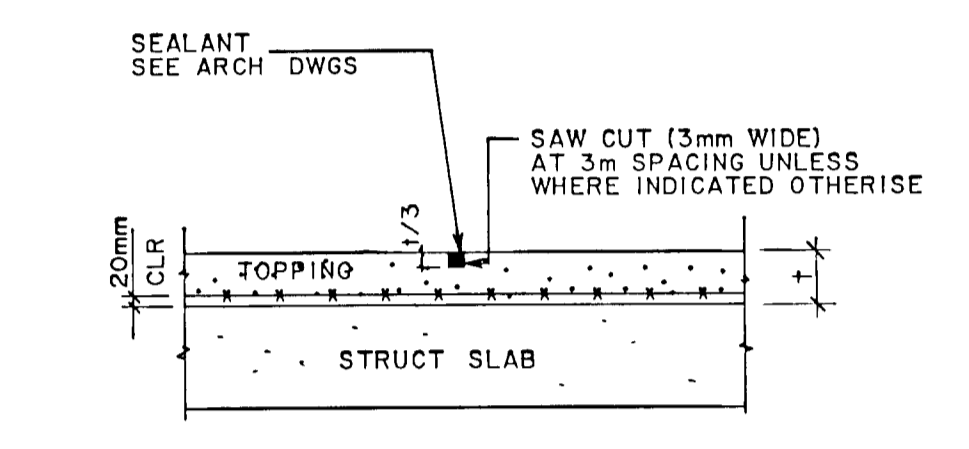
METHOD OF FORMING RECESS FOR SEALANT AT EXPANSION JOINTS



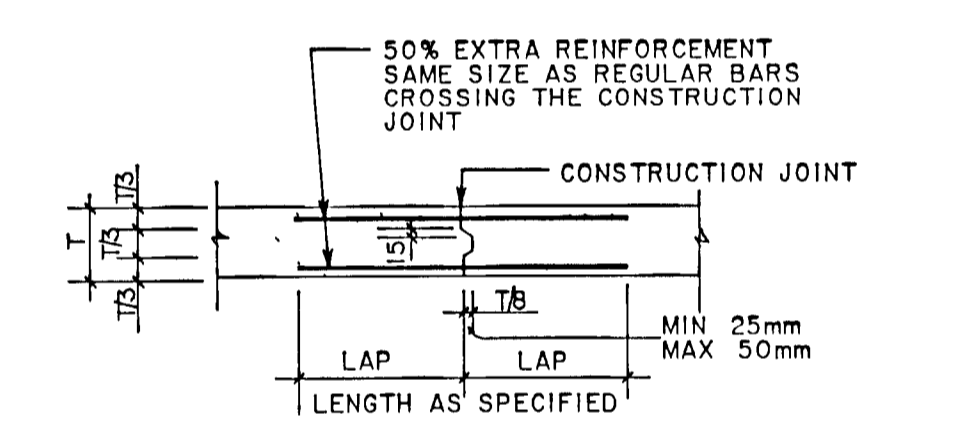
SEALANT DETAIL AT EXP. JOINT WITH CHAMFER (WALLS AND SOFFITS IN DRY AREAS)



SEALANT DETAILS AT EXP. JOINT WITHOUT CHAMFER (FLOORS IN DRY AREAS)

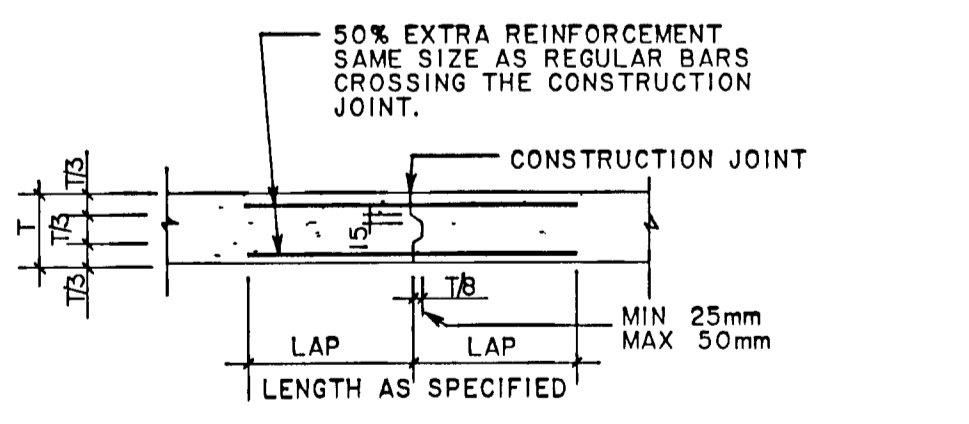


CONTROL JOINTS IN CONCRETE TOPPING



NOTES
1 LOCATION OF CONSTRUCTION JOINTS TO BE WHERE SHOWN ON THE DRAWINGS AND/OR AS SPECIFIED
2 IN GENERAL CONSTRUCTION JOINTS IN WALLS WILL ONLY BE PERMITTED AT 3000mm OR MORE FROM FACE OF EXPANSION JOINTS OR WALL INTERSECTIONS UNLESS APPROVED OTHERWISE BY THE ENGINEER.
3 REGULAR REINFORCEMENT TO BE CONTINUED THROUGH CONSTRUCTION JOINTS PROVIDE EXTRA REINFORCEMENT AS SHOWN ABOVE

CONSTRUCTION JOINTS IN WALLS AND SUSPENDED SLABS



NOTE
THESE JOINTS WILL BE PERMITTED ONLY AT MIDSPANS UNLESS APPROVED OTHERWISE BY THE ENGINEER

CONSTRUCTION JOINTS IN SLABS ON GROUND

Copyright © 1988 Gore & Storrie Limited

COPYRIGHT © GORE & STORRIE LIMITED
04-15-88 14 21 44 GRO
=+V1 JOB 64807 MISC.PLOT-PARAM 2 DATA

FRAME SIZE 566 x 801 mm
DRAWING SIZE A1 (595 x 841 mm)

NOTES

CHECKED: P. E. DULLERUD
DESIGNER: H.A.B.
PROJECT MANAGER: H.A.B.
DIVISION HEAD: H.A.B.

REGISTERED PROFESSIONAL ENGINEER
PROVINCE OF ONTARIO

REGISTERED PROFESSIONAL ENGINEER
PROVINCE OF ONTARIO

Gore & Storrie Limited

MISCELLANEOUS DETAILS I

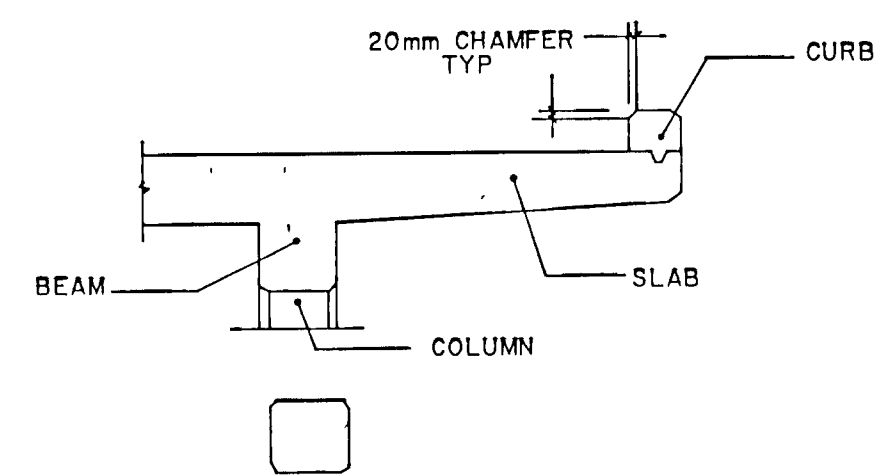
GREATER NAPANEE WATER SUPPLY & POLLUTION CONTROL BOARD

NAPANEE W.P.C.P. UPGRADING CONTRACT I-I CIVIL WORKS

Gore & Storrie Limited G&S
Consulting Engineers & Architects

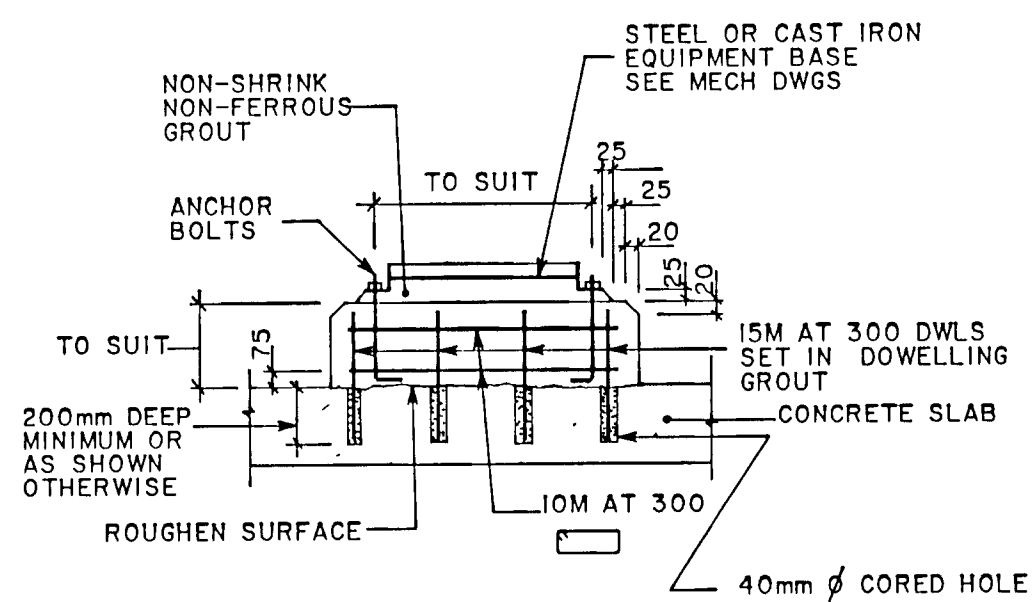
DATE	APRIL 1988	FILE N°	648.07-AI-05928
SCALE	NOT TO SCALE	DRAWING N°	S6

SUPERSEDES ALL DRAWINGS BEARING PREVIOUS REVISION NUMBERS



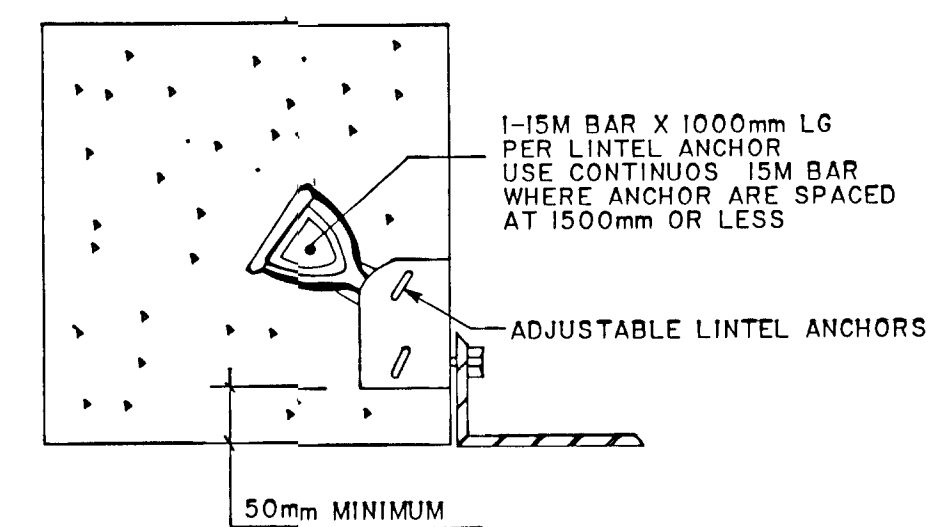
NOTE:
EXPOSED EDGES ON CONCRETE SLABS, BEAMS, CURBS, COLUMNS, WALL OPENINGS ETC. TO HAVE 20mm CHAMFERS UNLESS OTHERWISE NOTED OR DIRECTED

CHAMFER DETAIL

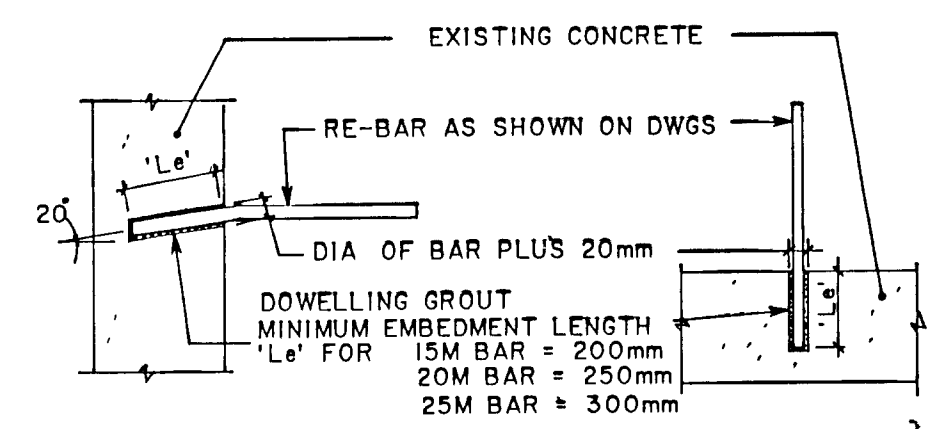


NOTE:
DIMENSIONS OF BASES, ANCHOR BOLTS, SIZES AND LOCATIONS TO SUIT EQUIPMENT SUPPLIED (SEE MECH DWGS)

TYPICAL CONCRETE EQUIPMENT BASE



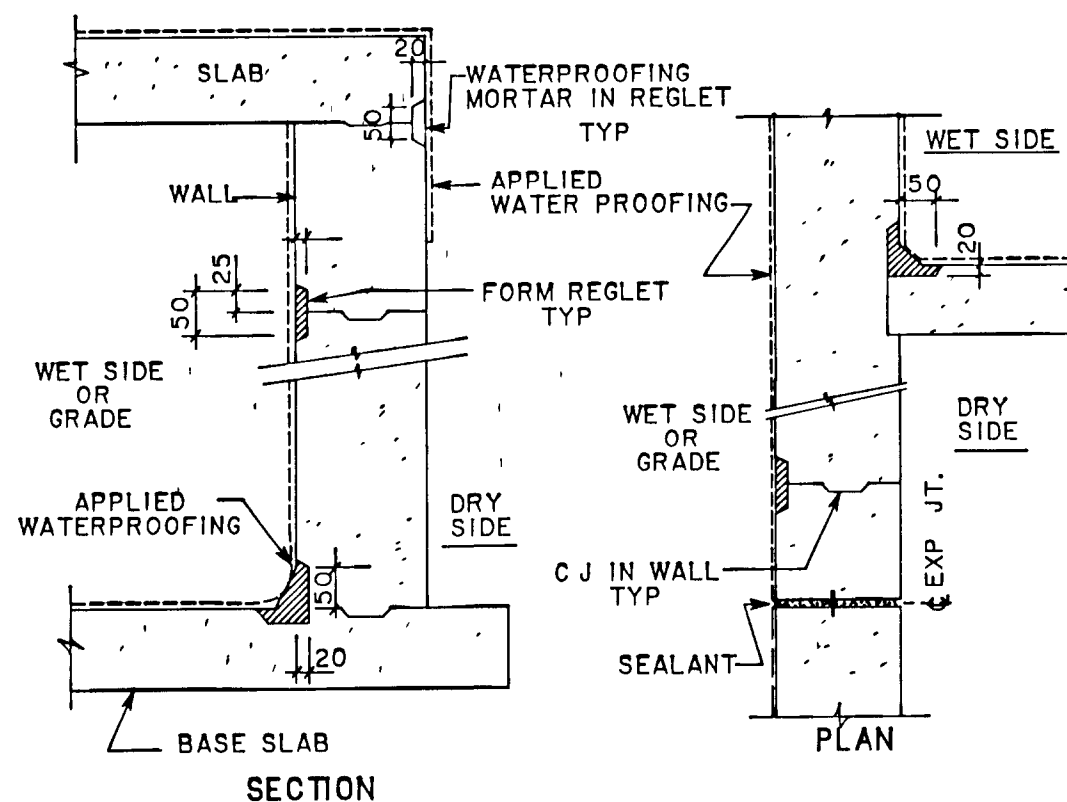
ADJUSTABLE LINTEL ANCHORS
(SEE ARCH DWGS FOR LOCATIONS)



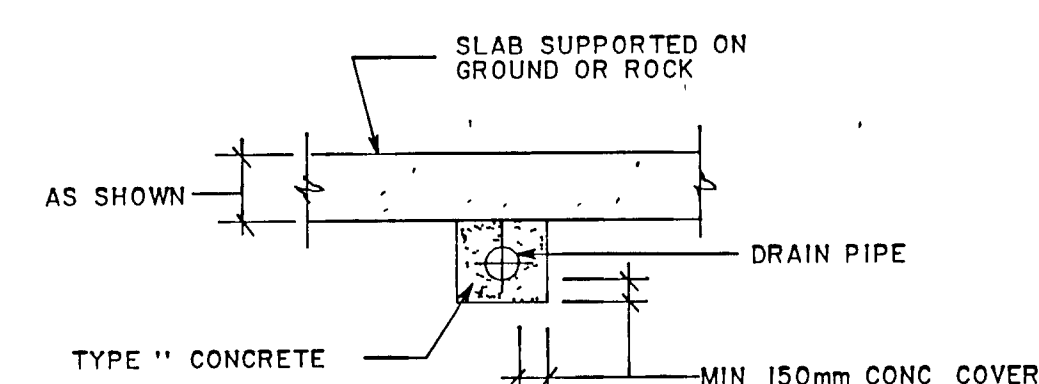
FOR HORIZONTAL BARS FOR VERTICAL BARS

NOTES:
DRILL HOLE OF DIAMETER AND DEPTH AS REQUIRED
CLEAN HOLE OF ALL DEBRIS AND DUST.
FILL HOLE WITH DOWELLING GROUT
INSERT REBAR AND WIPE OVERFLOW
DO NOT DISTURB REBAR FOR 24 HOURS AFTER INSTALLATION

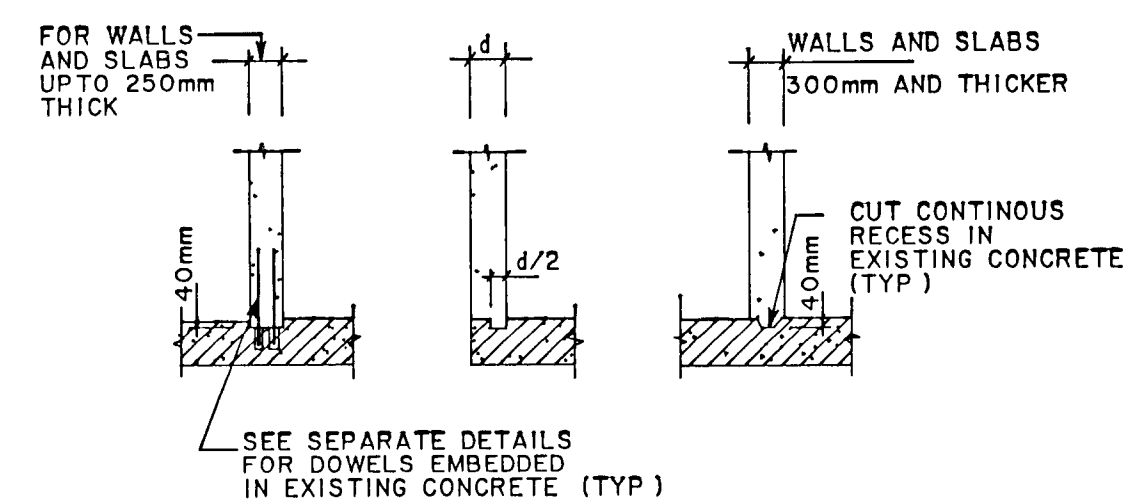
DOWELLING IN EXISTING CONCRETE



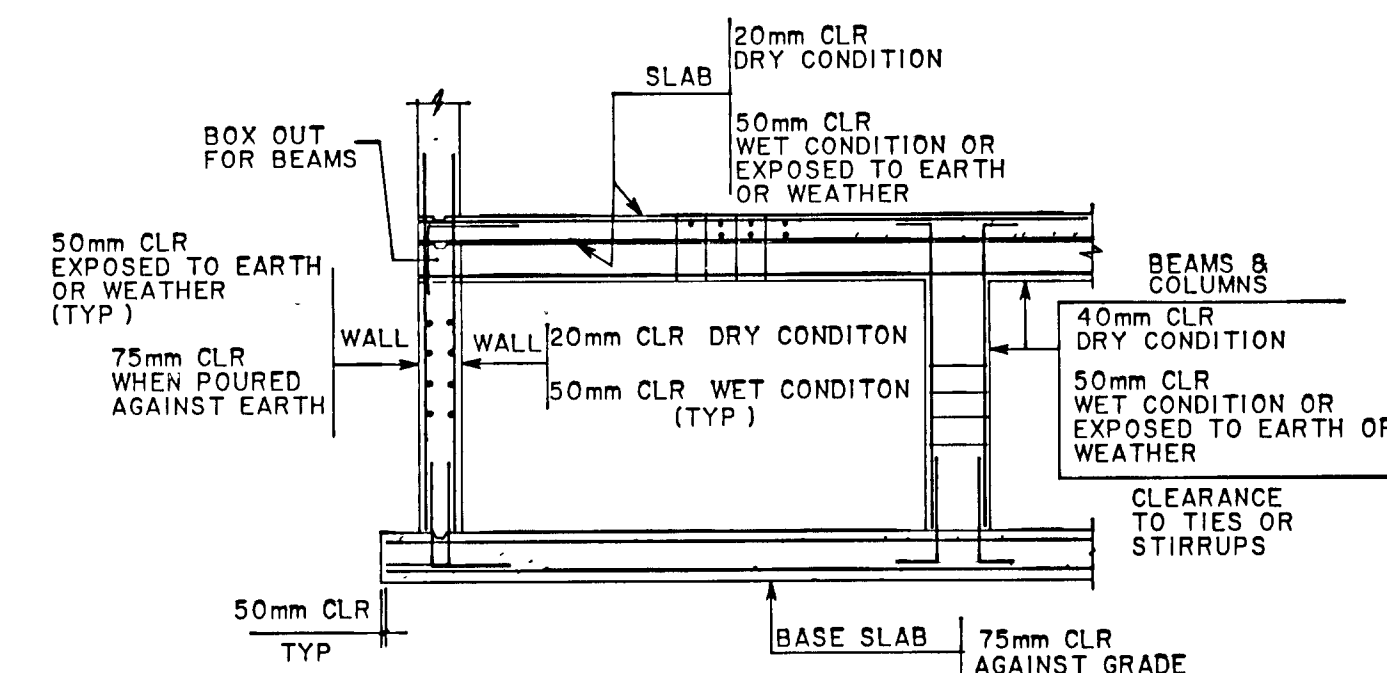
DETAILS OF WATERPROOFING



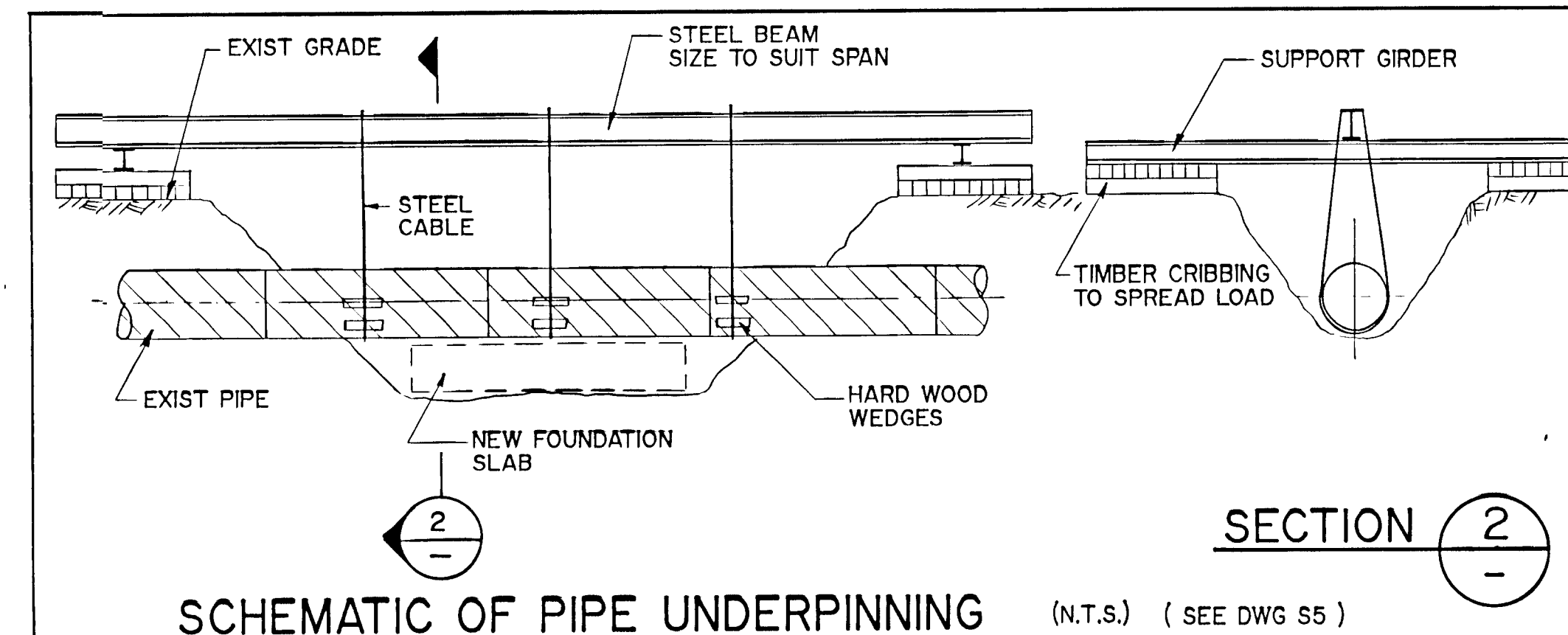
UNREINFORCED PIPE ENCASEMENT



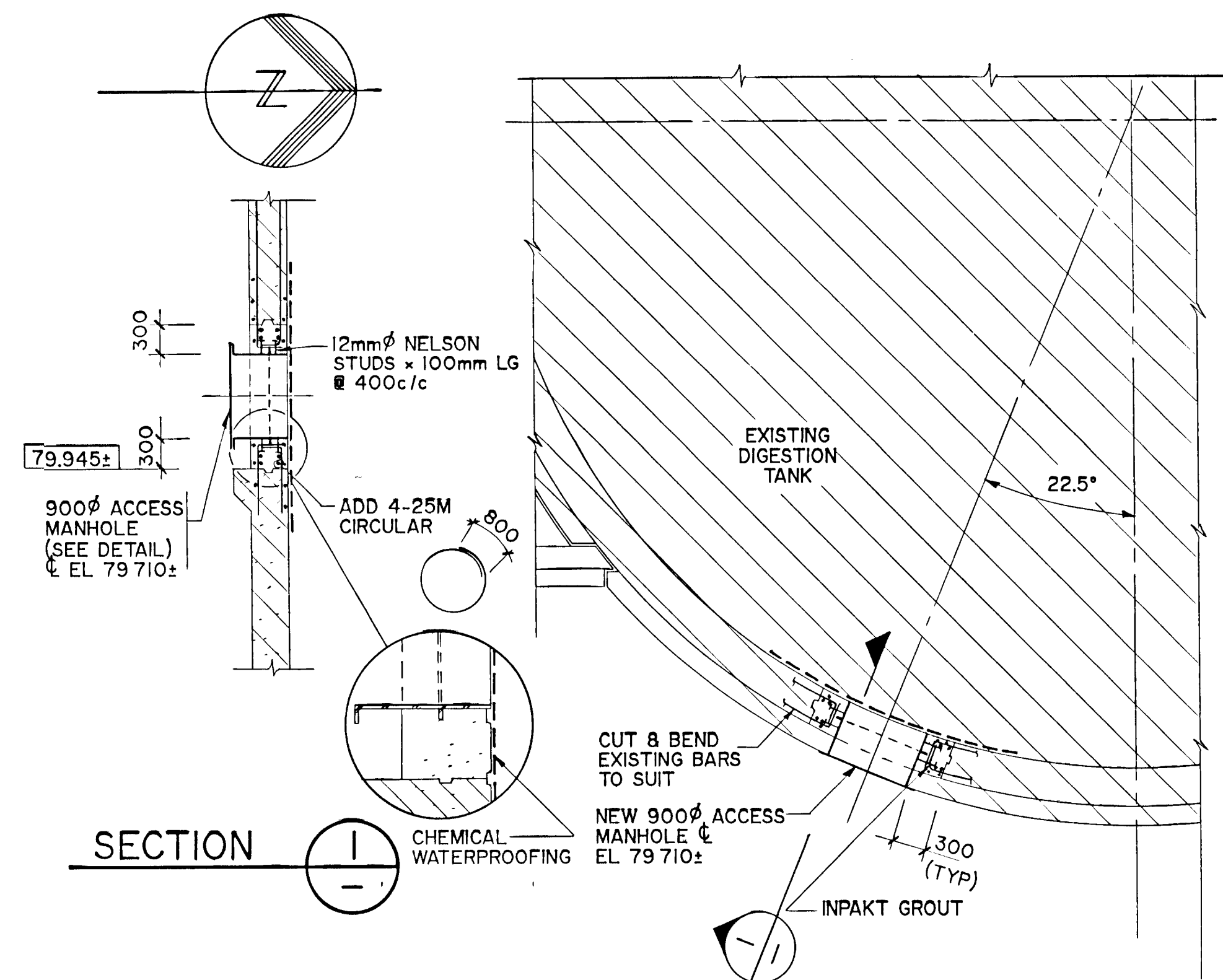
DETAILS OF CONNECTION TO EXISTING CONCRETE



CONCRETE COVER TO REINFORCEMENT



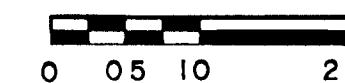
SCHEMATIC OF PIPE UNDERPINNING (N.T.S.) (SEE DWG S5)



PART PLAN OF EXIST DIGESTION TANK AT EL 79.550



WPCP
098



Copyright © 1988 Gore & Storrie Limited

COPYRIGHT © GORE & STORRIE LIMITED
04-15-88 15 17 44 60
**VI JOB 64807.MISC 2 PLOT-PARAM 2 DATA

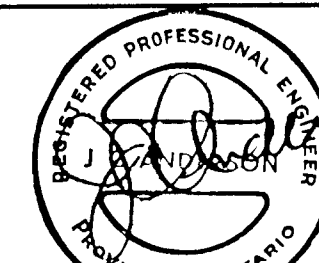
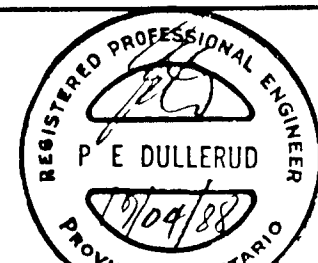
FRAME SIZE 565 x 801 mm
DRAWING SIZE A1 (595 x 841 mm)

NOTES

CHECKED

DESIGNER

PROJECT MANAGER



MISCELLANEOUS DETAILS 2

GREATER NAPANEE WATER SUPPLY & POLLUTION CONTROL BOARD

NAPANEE W.P.C.P. UPGRADING
CONTRACT I-I CIVIL WORKS

Gore & Storrie Limited **GSS**

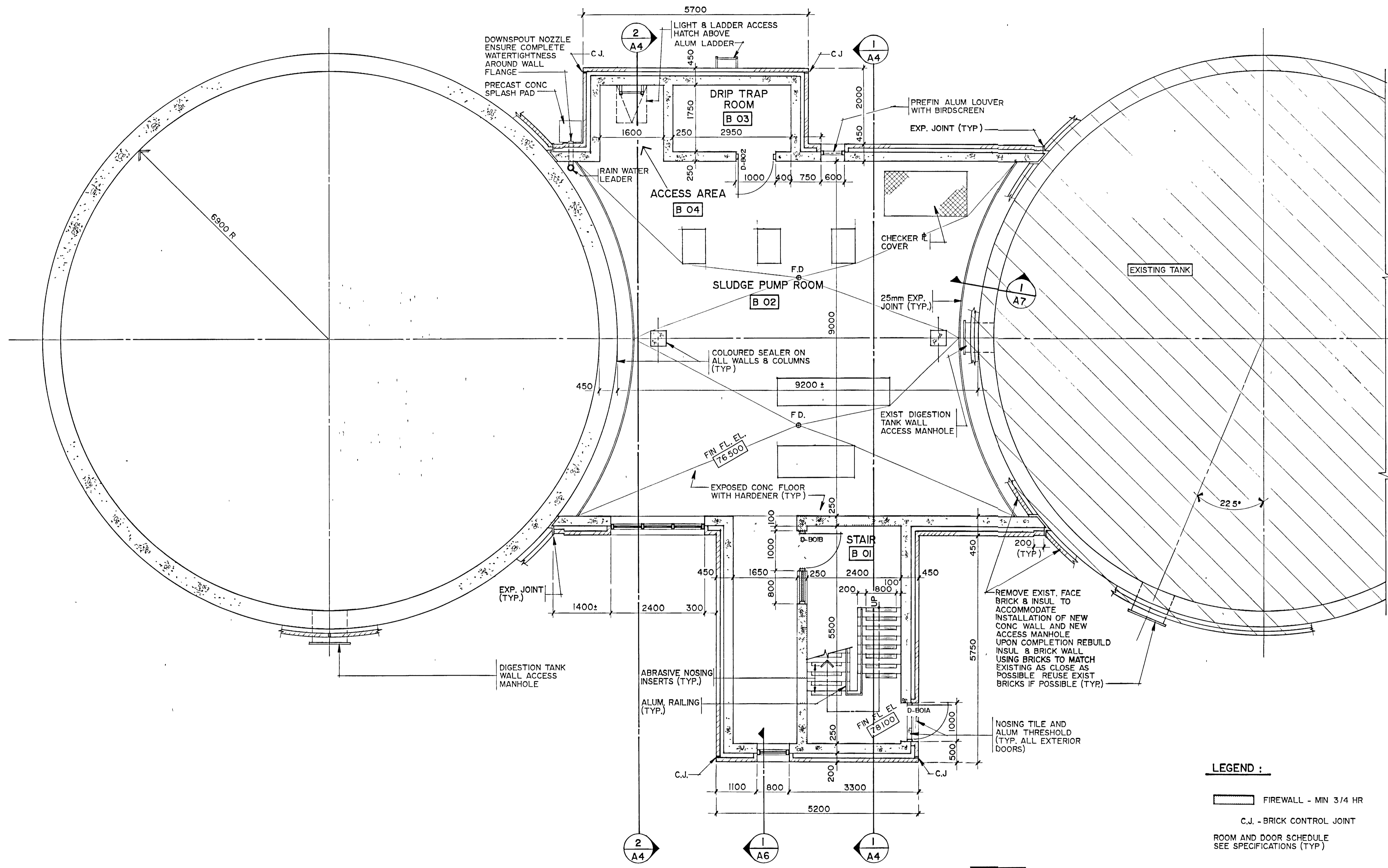
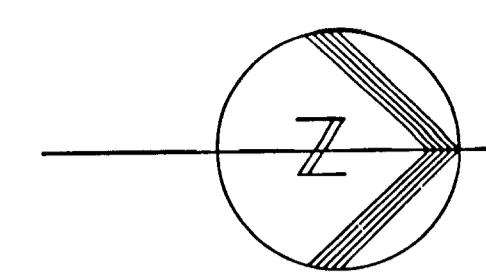
Consulting Engineers & Architects

DATE APRIL 1988 FILE N^o 648.07-AI-05929

SCALE NOT TO SCALE DRAWING N^o S7

SUPERSEDES ALL DRAWINGS BEARING PREVIOUS REVISION NUMBERS

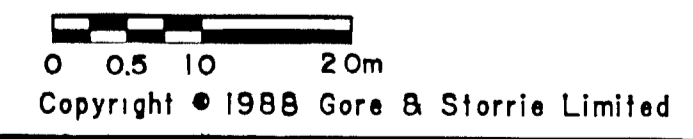
A B C D E F G H



BASEMENT FLOOR PLAN
SCALE - 1:50



- LEGEND :**
- FIREWALL - MIN 3/4 HR
 - C.J. - BRICK CONTROL JOINT
 - ROOM AND DOOR SCHEDULE SEE SPECIFICATIONS (TYP.)



FRAME SIZE 566 x 801 mm
DRAWING SIZE A1 (595 x 841 mm)

NOTES

RECORD DRAWING DATE: DECEMBER 1988 SIGNED: [Signature]

CHECKED: [Signature]
DESIGNER: [Signature]
DEPARTMENT HEAD: DINSHAW D. KANGA
PROJECT MANAGER: [Signature]

ONTARIO ASSOCIATION OF ARCHITECTS
REGISTERED PROFESSIONAL ENGINEER
Gore & Storrie Limited

BASEMENT FLOOR PLAN

GREATER NAPANEE WATER SUPPLY & POLLUTION CONTROL BOARD

NAPANEE W.P.C.P. UPGRADING CONTRACT I-I CIVIL WORKS

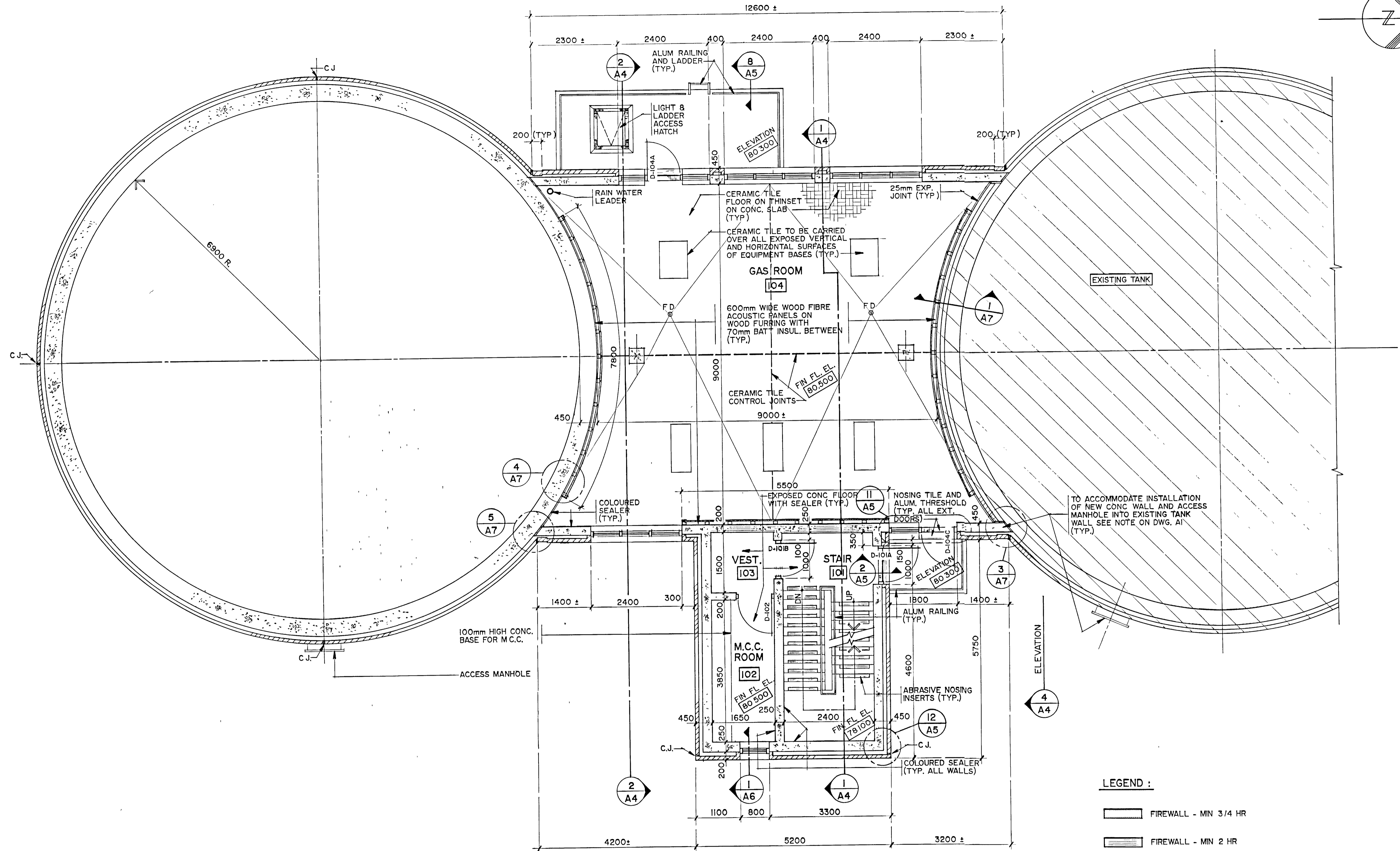
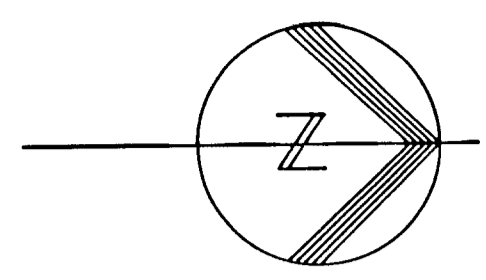
Gore & Storrie Limited G&S
Consulting Engineers & Architects

DATE: APRIL 1988 FILE NO: 648 07-AI-05930
SCALE: 1:50 DRAWING NO: AI

SUPERSEDES ALL DRAWINGS BEARING PREVIOUS REVISION NUMBERS

A B C D E F G H

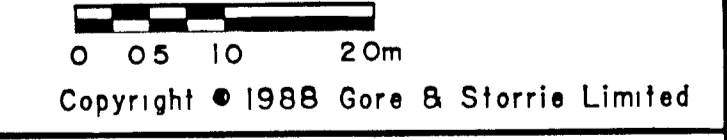
ELEVATION 2
A3



TO ACCOMMODATE INSTALLATION OF NEW CONC. WALL AND ACCESS MANHOLE INTO EXISTING TANK WALL SEE NOTE ON DWG. A1 (TYP.)

- LEGEND :**
- FIREWALL - MIN 3/4 HR
 - FIREWALL - MIN 2 HR
 - C.J. - BRICK CONTROL JOINT

ROOM AND DOOR SCHEDULE SEE SPECIFICATIONS (TYP.)



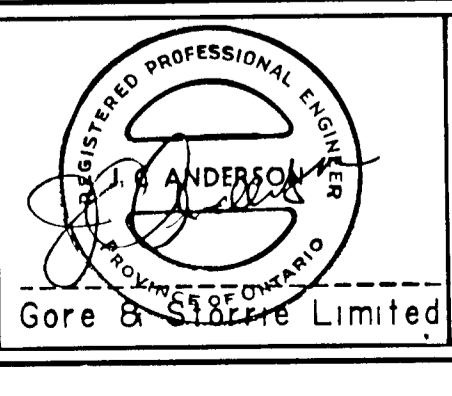
MAIN FLOOR PLAN
SCALE - 1:50

FRAME SIZE 566 x 801 mm
DRAWING SIZE A1 (595 x 841 mm)

NOTES

RECORD DRAWING	DATE: 1988-04-12	SIGNED: [Signature]
----------------	------------------	---------------------

CHECKED: [Signature]	DESIGNER: [Signature]
DEPARTMENT HEAD: [Signature]	PROJECT MANAGER: [Signature]

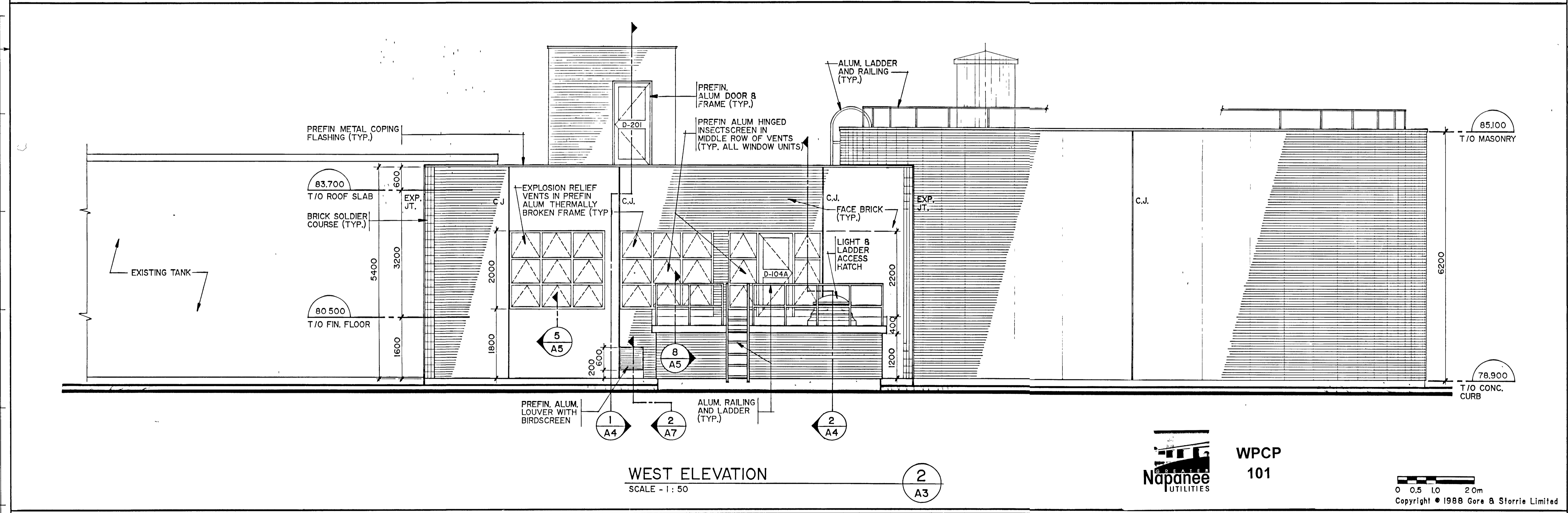
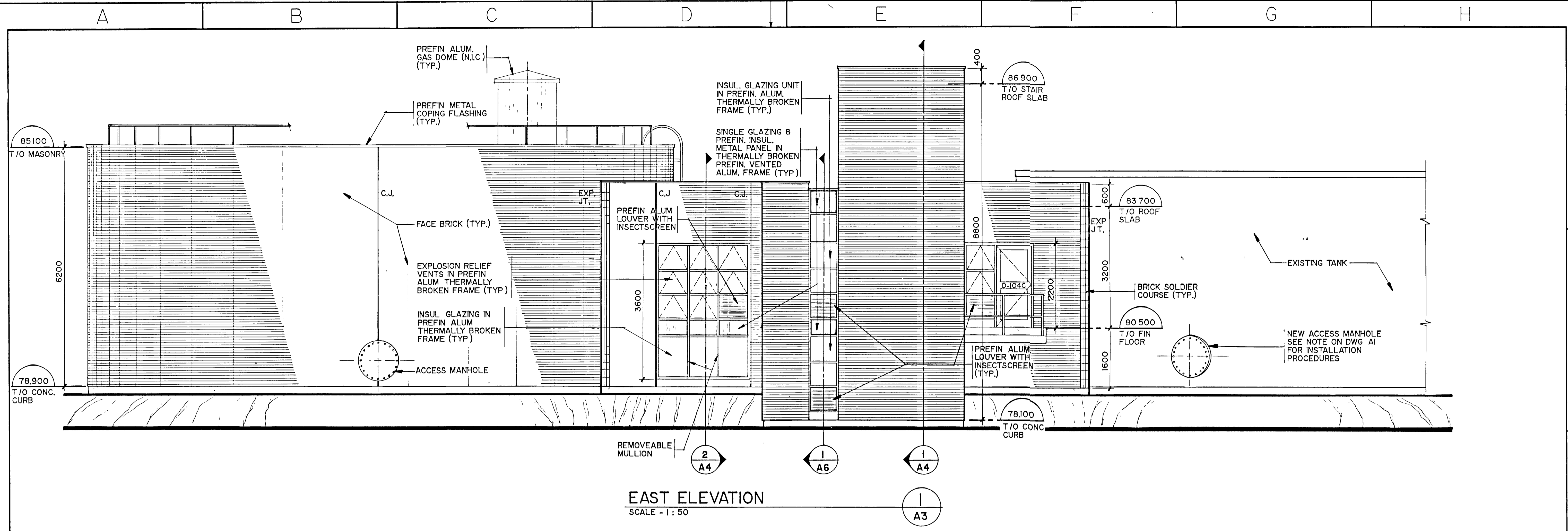


MAIN FLOOR PLAN

GREATER NAPANEE WATER SUPPLY & POLLUTION CONTROL BOARD
NAPANEE W.P.C.P. UPGRADING
CONTRACT I-1 CIVIL WORKS

Gore & Storrie Limited G&S	
Consulting Engineers & Architects	
DATE: APRIL 1988	FILE N ^o : 648.07-A1-05931
SCALE: 1:50	DRAWING N ^o : A2

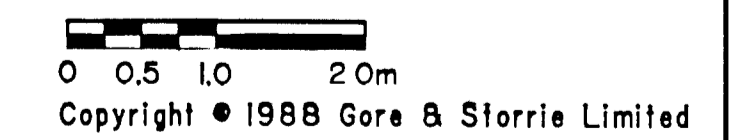
SUPERSEDES ALL DRAWINGS BEARING PREVIOUS REVISION NUMBERS



FRAME SIZE 565 x 801 mm
DRAWING SIZE A1 (595 x 841 mm)



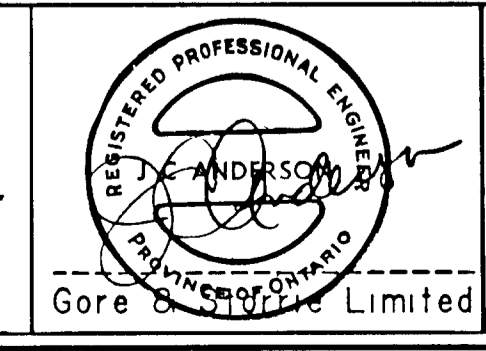
WPCP
101



NOTES

RECORD DRAWING
DATE: 22/04/1988
SIGNED: [Signature]

CHECKED
DESIGNER: DON I. A.F.
DEPARTMENT HEAD: DINSHAW D. KANGA
PROJECT MANAGER: [Signature]



BUILDING ELEVATIONS

GREATER NAPANEE WATER SUPPLY & POLLUTION CONTROL BOARD

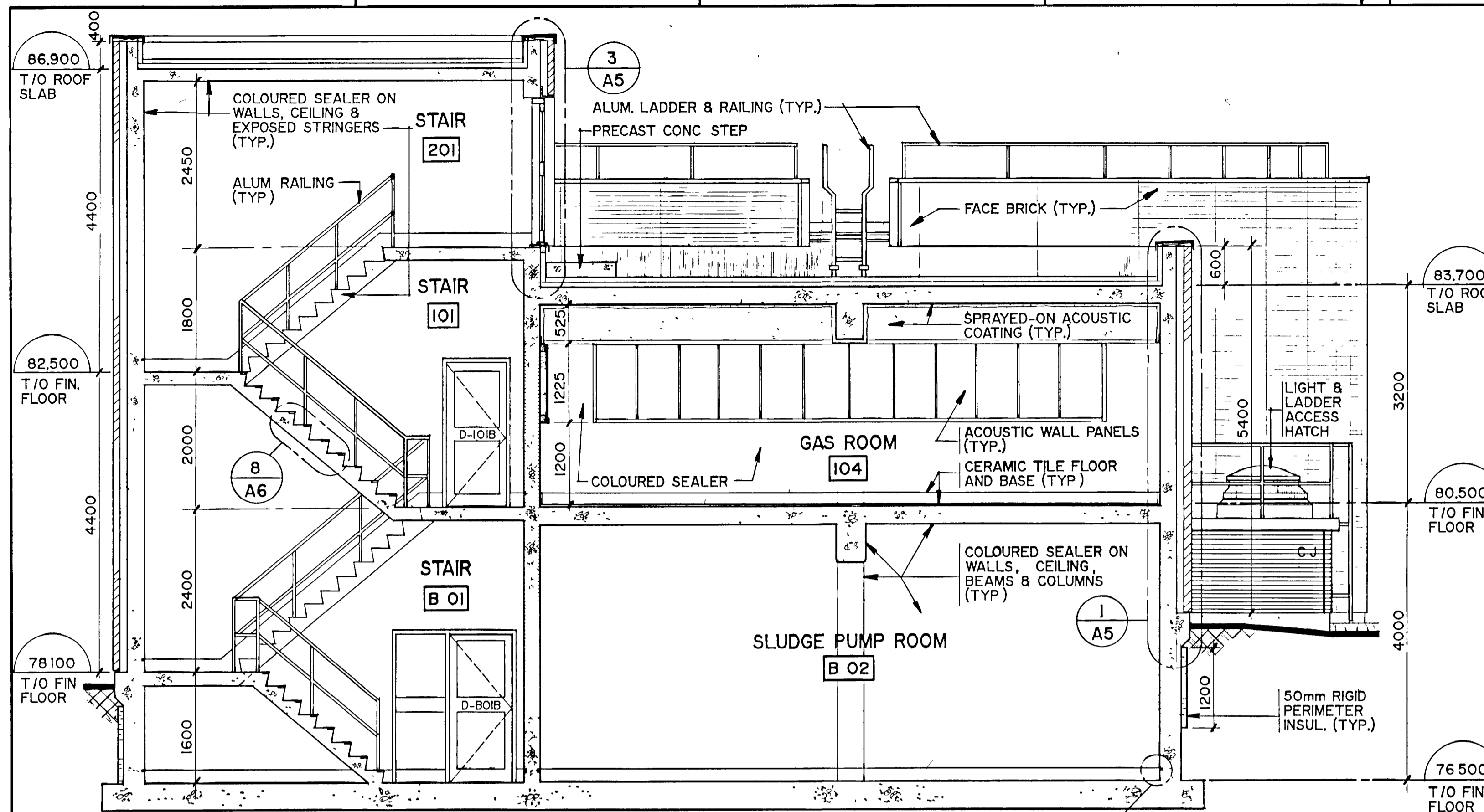
NAPANEE W.P.C.P. UPGRADING CONTRACT I-I CIVIL WORKS

Gore & Storrie Limited G&S
Consulting Engineers & Architects

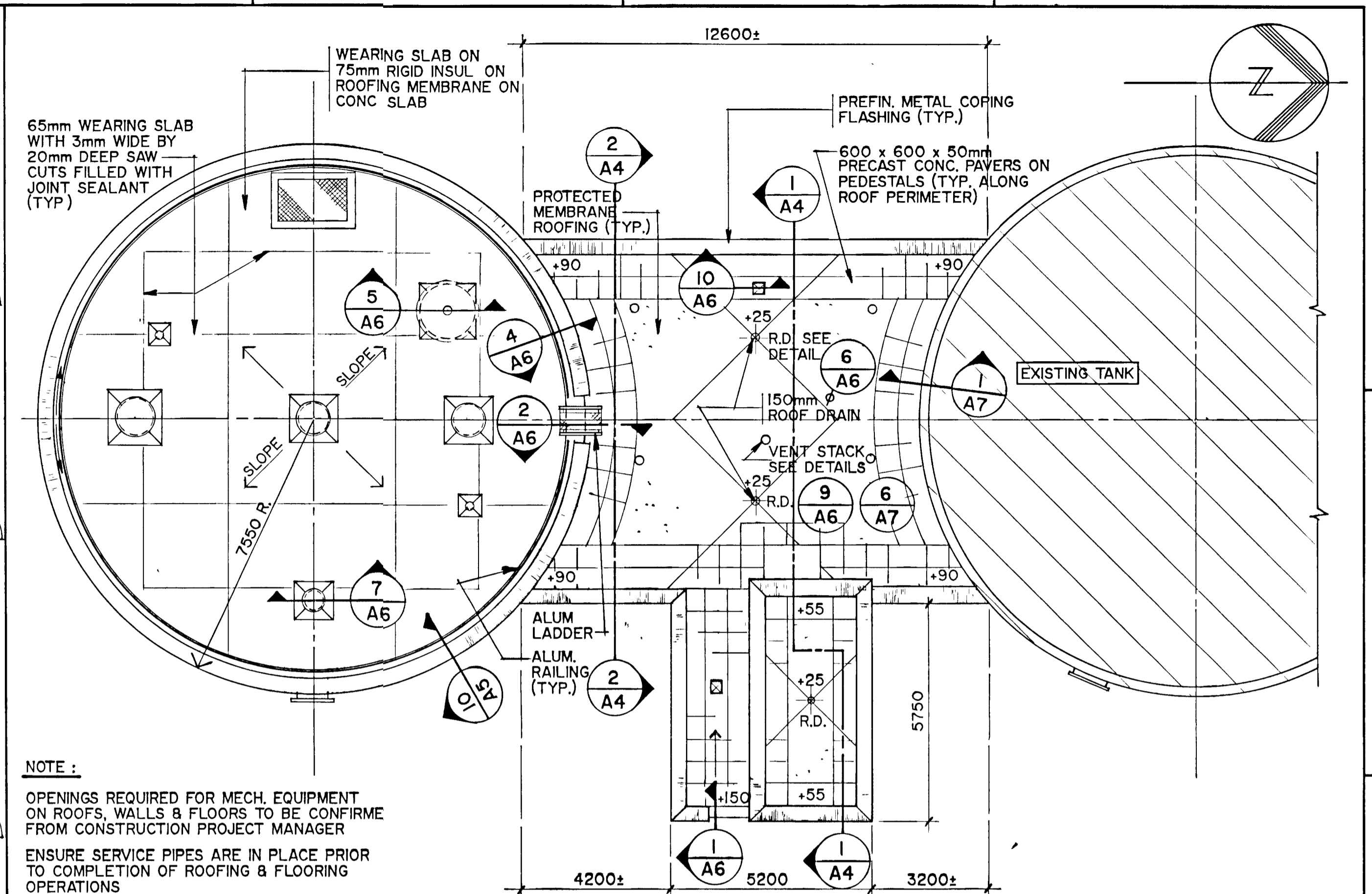
DATE: APRIL 1988
SCALE: 1:50

FILE N^o: 648 07-AI-05932
DRAWING N^o: A3

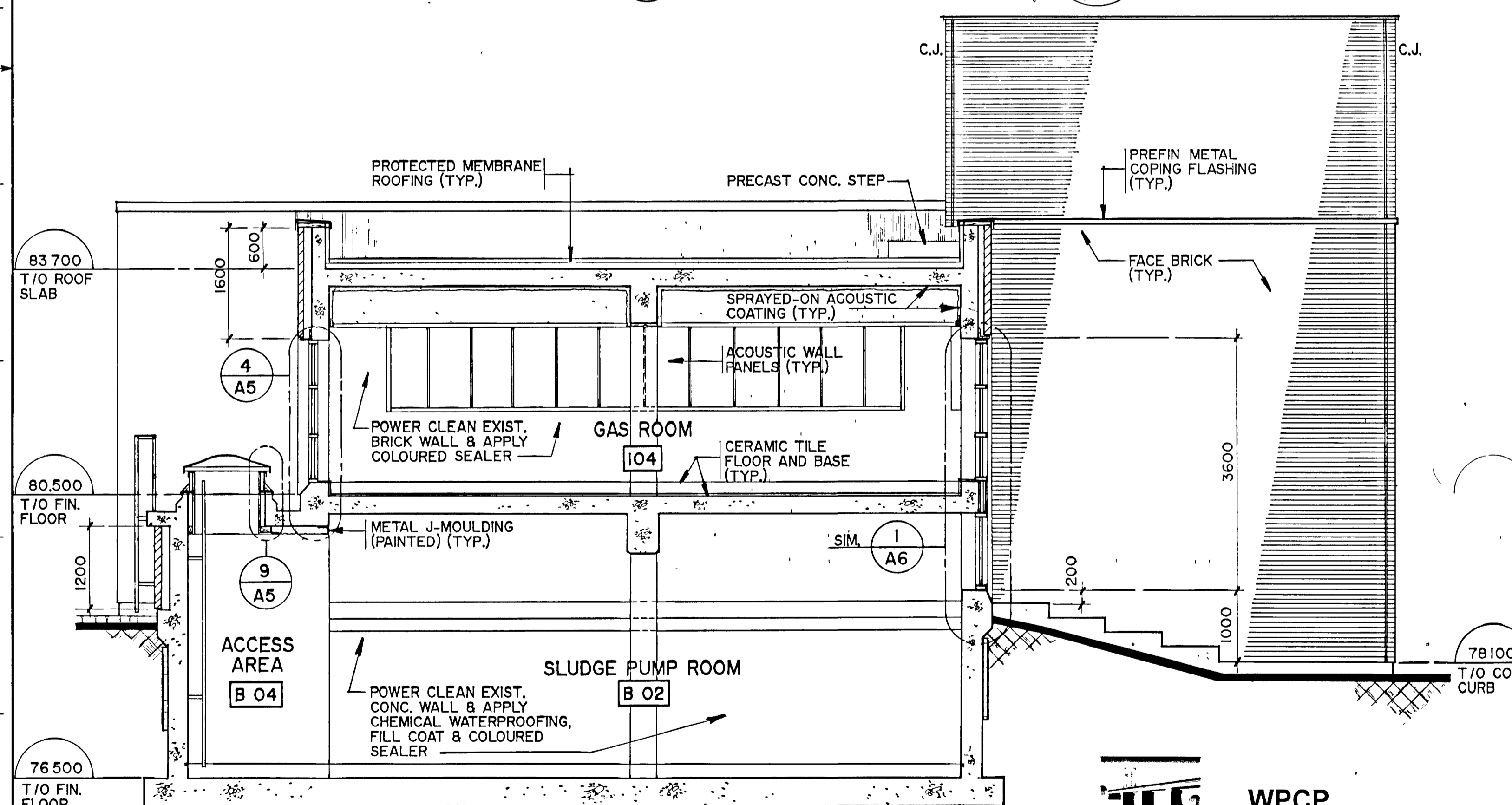
SUPERSEDES ALL DRAWINGS BEARING PREVIOUS REVISION NUMBERS



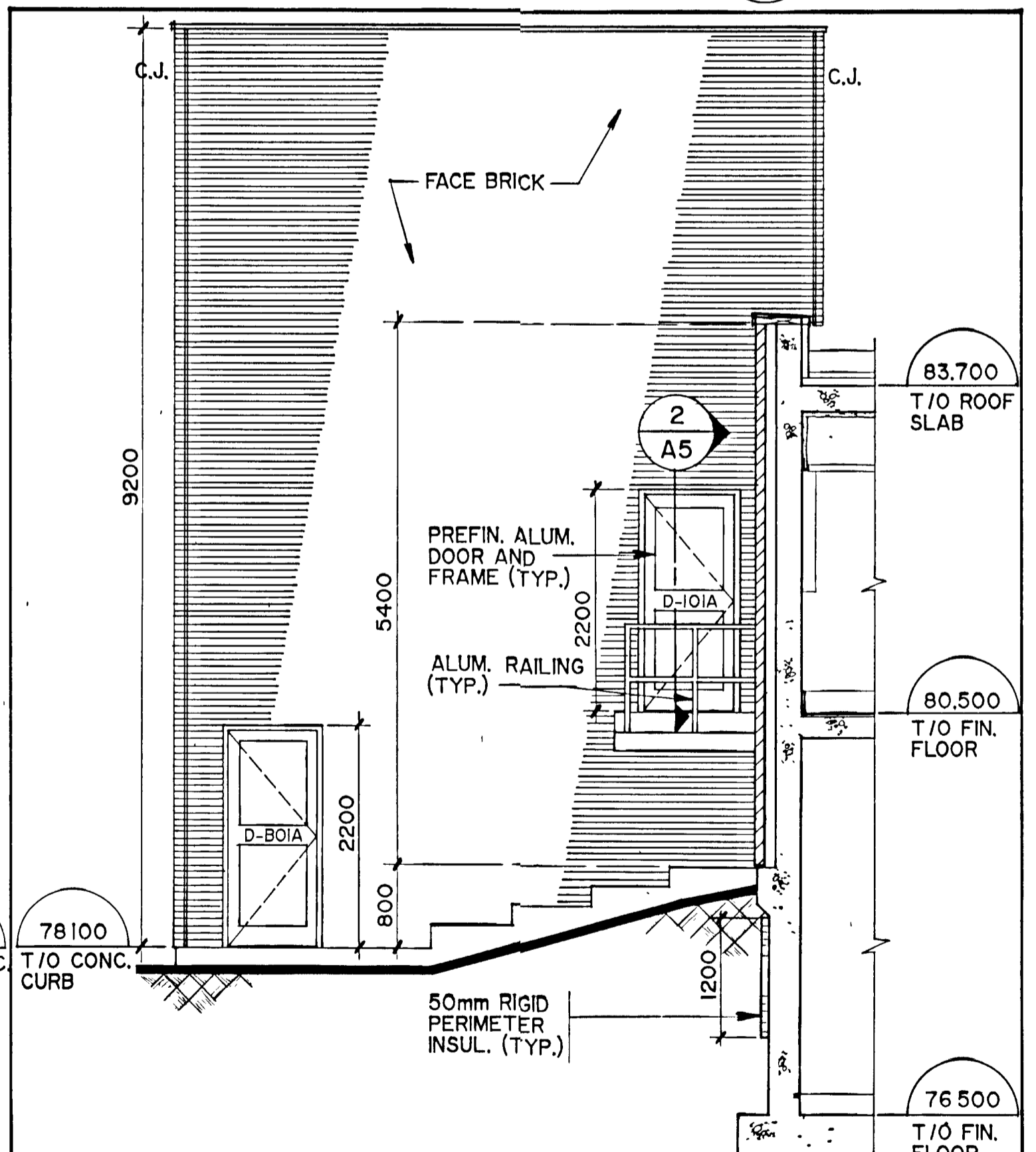
BUILDING SECTION
SCALE - 1 : 50



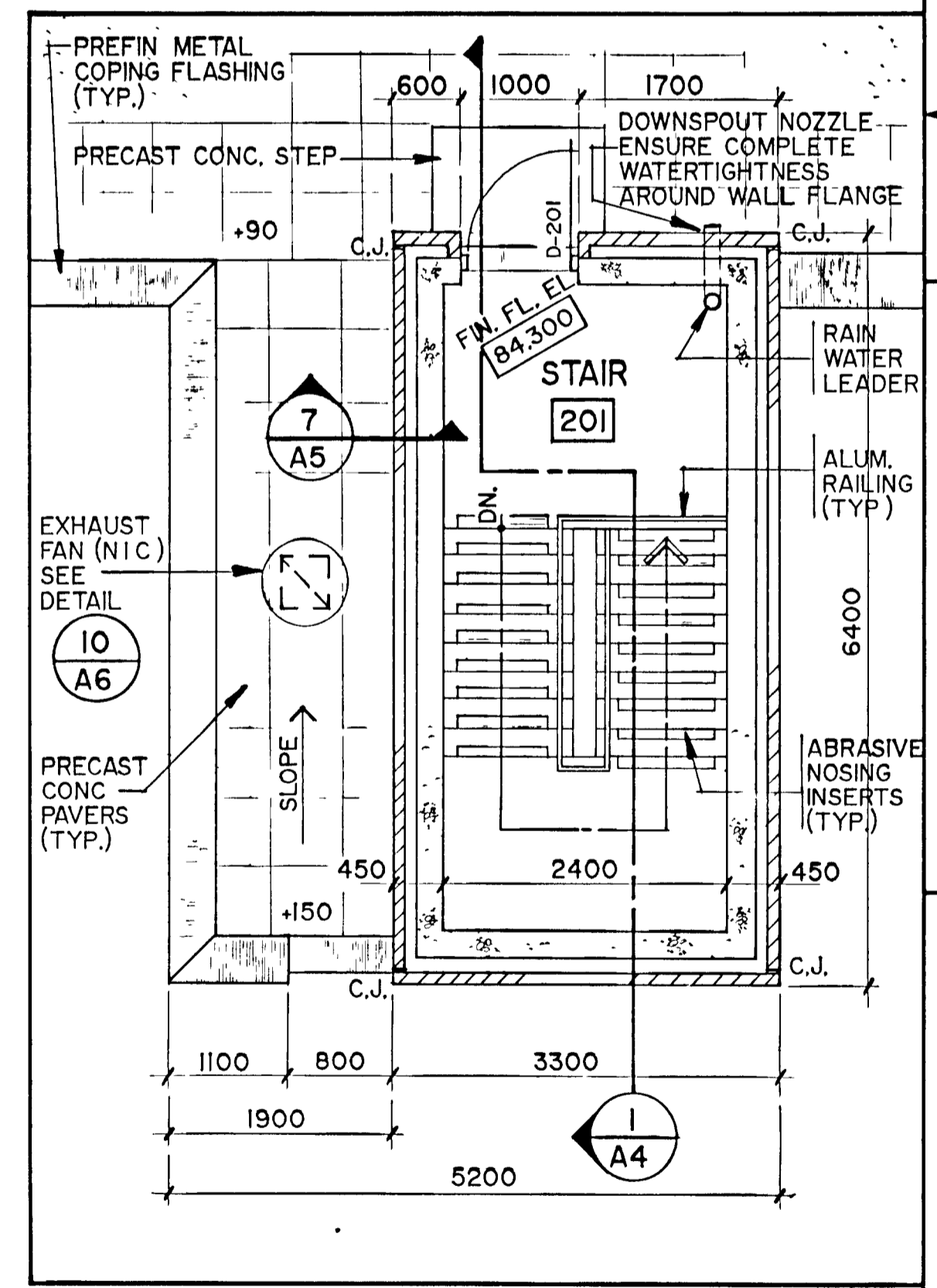
ROOF PLAN
SCALE - 1 : 100



BUILDING SECTION
SCALE - 1 : 50



PART NORTH ELEVATION
SCALE - 1 : 50 (SOUTH ELEVATION SIMILAR)



PART ROOF & STAIR PLAN
SCALE - 1 : 50



NOTES
RECORD DRAWING
DATE: DECEMBER 1988
SIGNED: [Signature]

CHECKED: [Signature]
DESIGNER: [Signature]
DEPARTMENT HEAD: [Signature]
PROJECT MANAGER: [Signature]

REGISTERED PROFESSIONAL ENGINEER
GORE & STORRIE LIMITED

BUILDING SECTIONS, ROOF PLAN
AND PART ELEVATION

GREATER NAPANEE WATER SUPPLY &
POLLUTION CONTROL BOARD

NAPANEE W.P.C.P. UPGRADING
CONTRACT I-I CIVIL WORKS

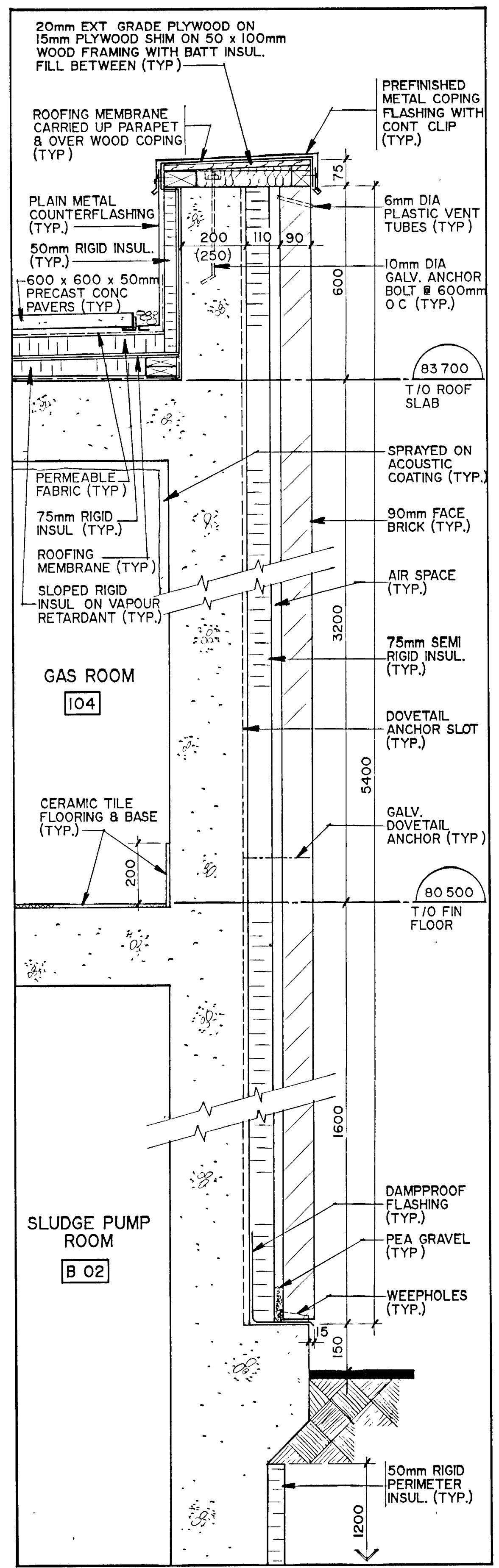
Gore & Storrie Limited G&S
Consulting Engineers & Architects

DATE: APRIL 1988
SCALE: AS NOTED
FILE N^o: 648 07-AI-05933
DRAWING N^o: A4

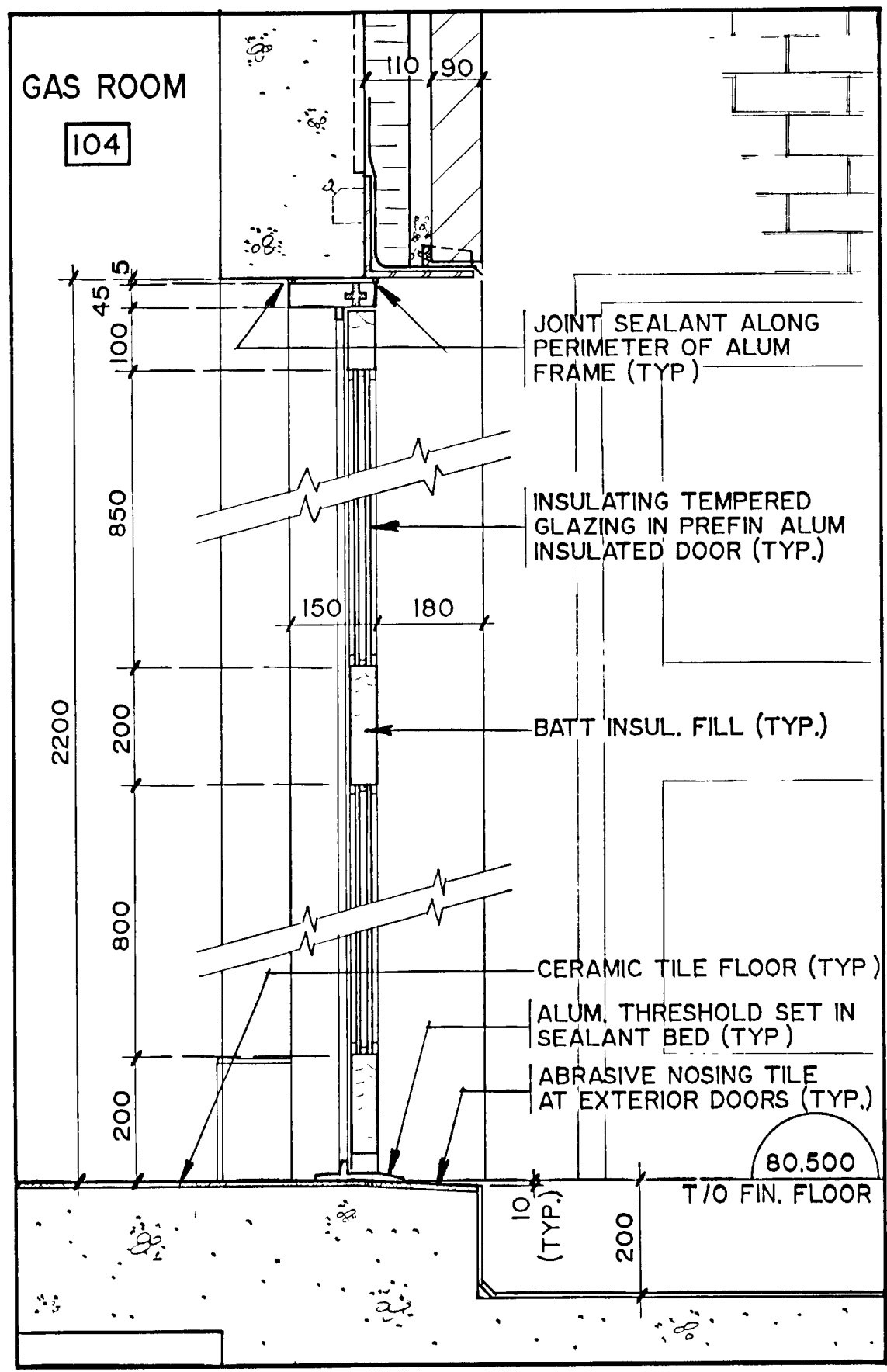
SUPERSEDES ALL DRAWINGS BEARING PREVIOUS REVISION NUMBERS

FRAME SIZE 566 x 801 mm
DRAWING SIZE A1 (595 x 841 mm)

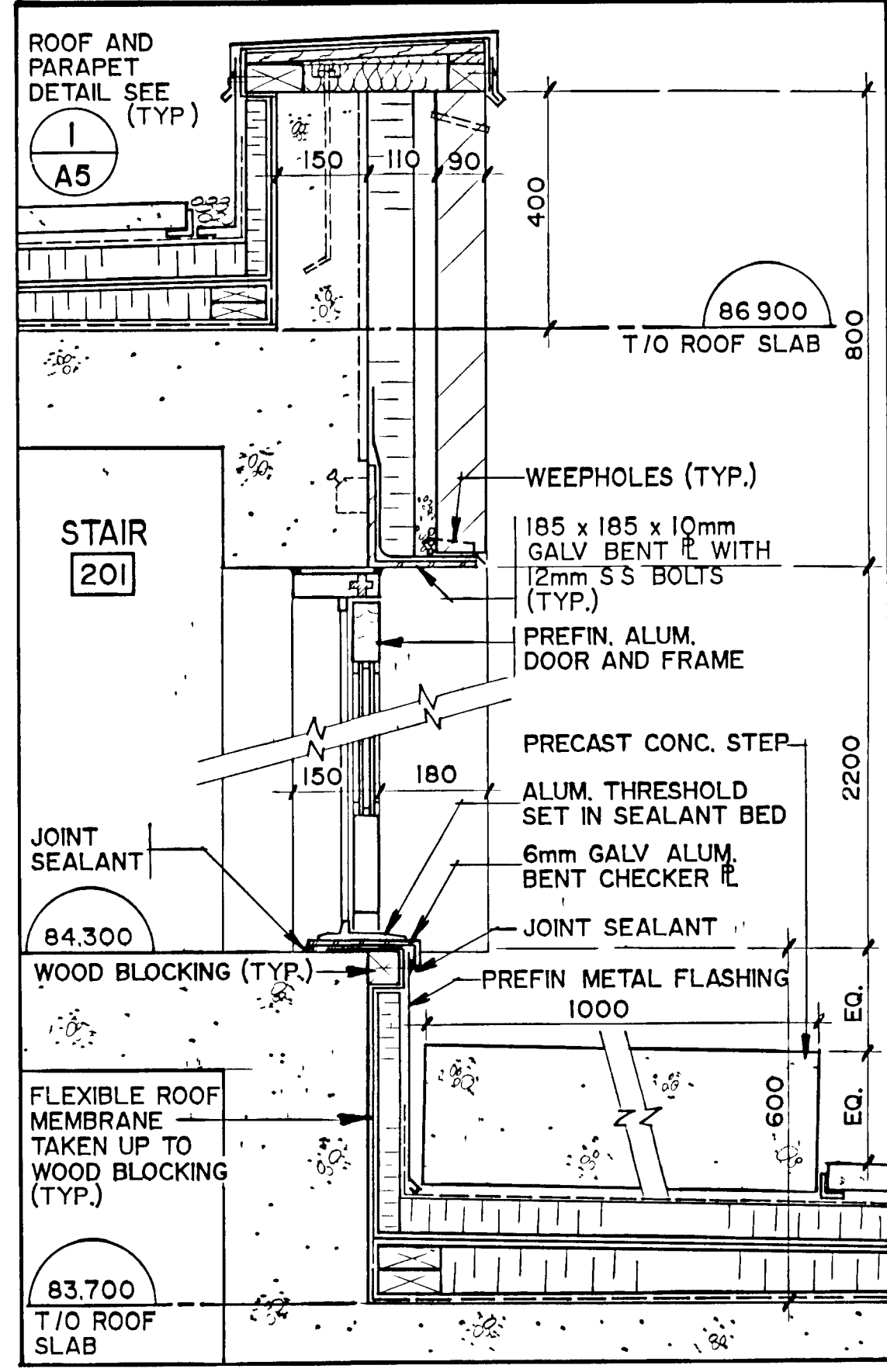
A B C D E F G H



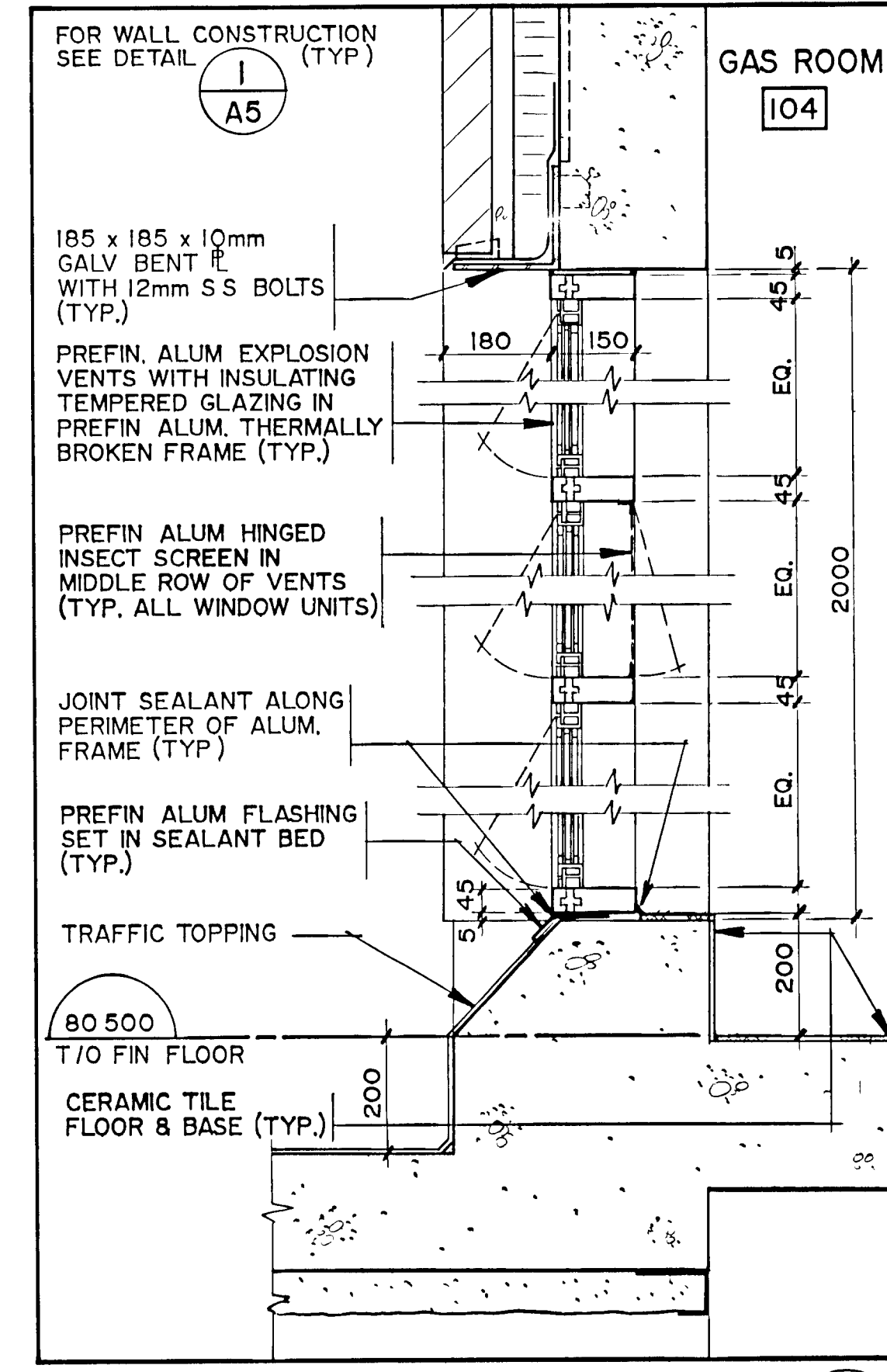
SECTION DETAIL
SCALE - 1:10
1
A4



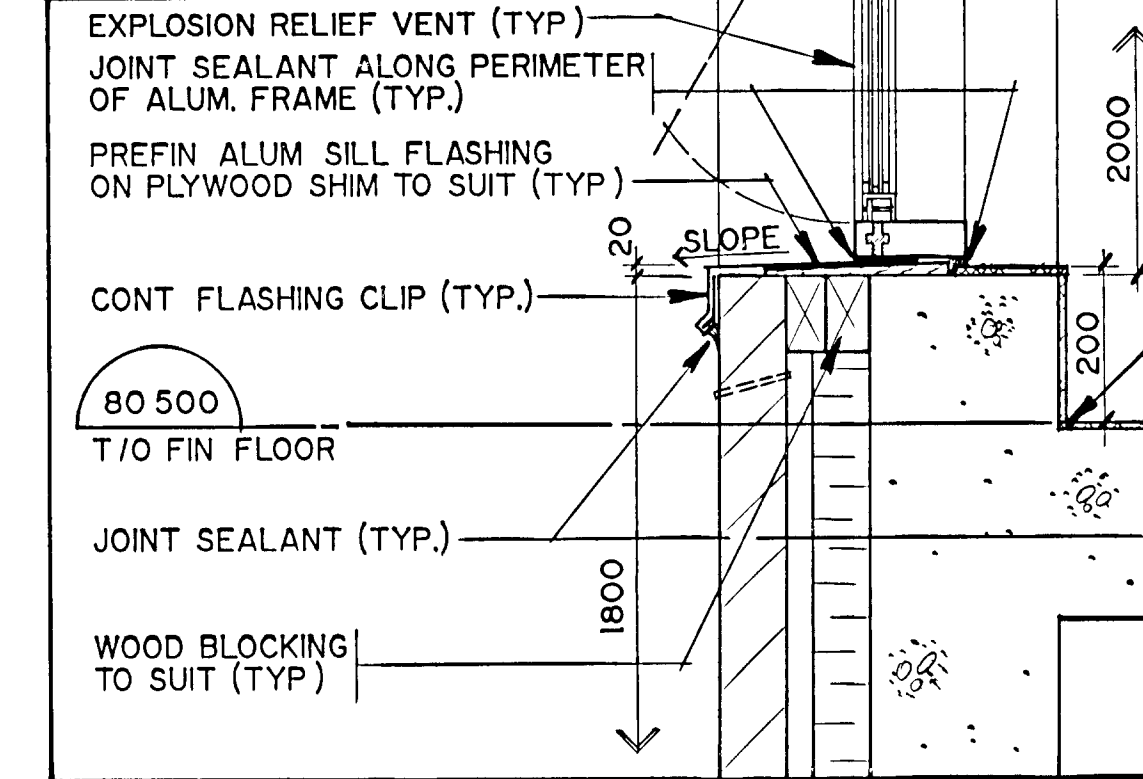
SECTION DETAIL
SCALE - 1:10
2
A2



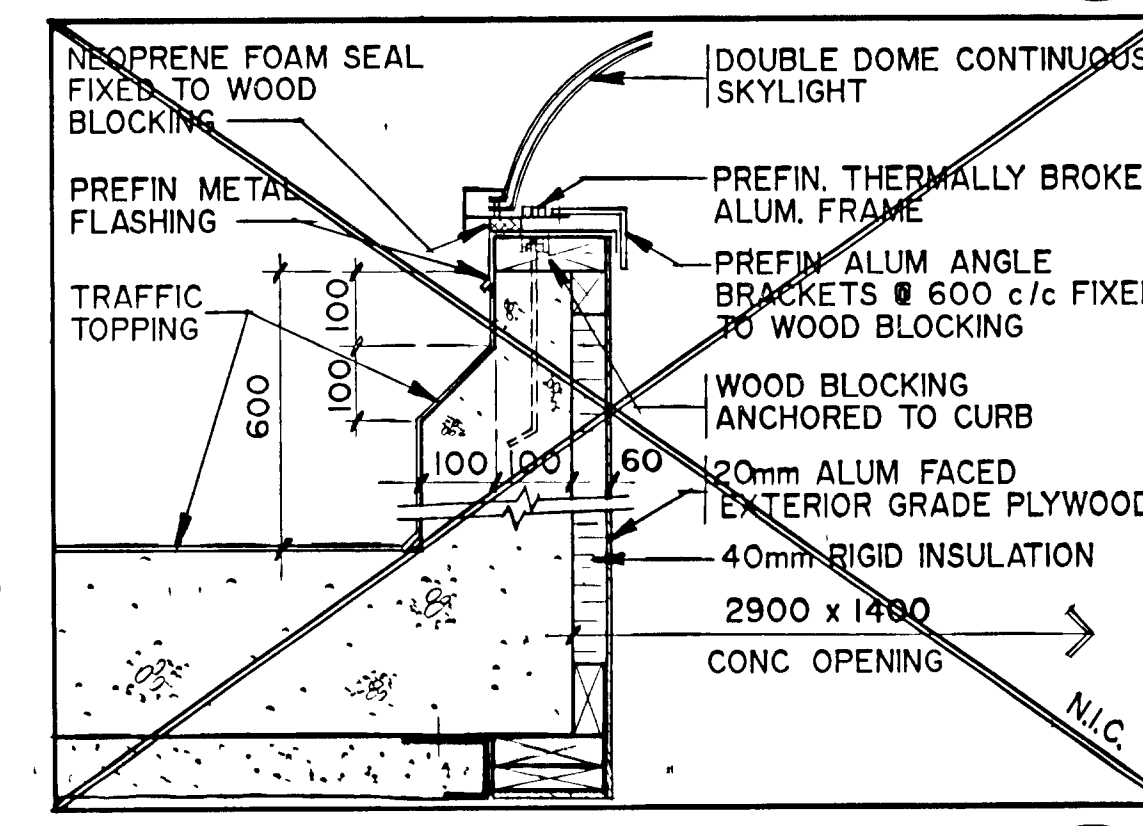
SECTION DETAIL
SCALE - 1:10
3
A4



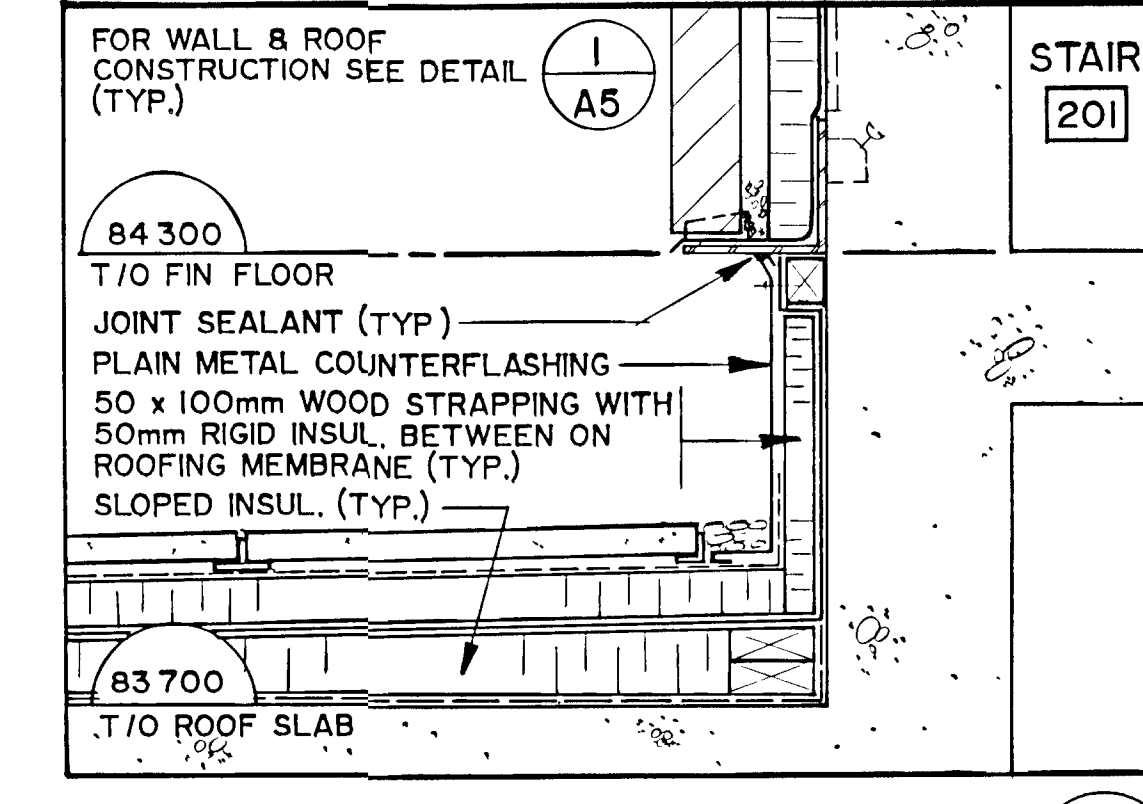
SECTION DETAIL
SCALE - 1:10
4
A4



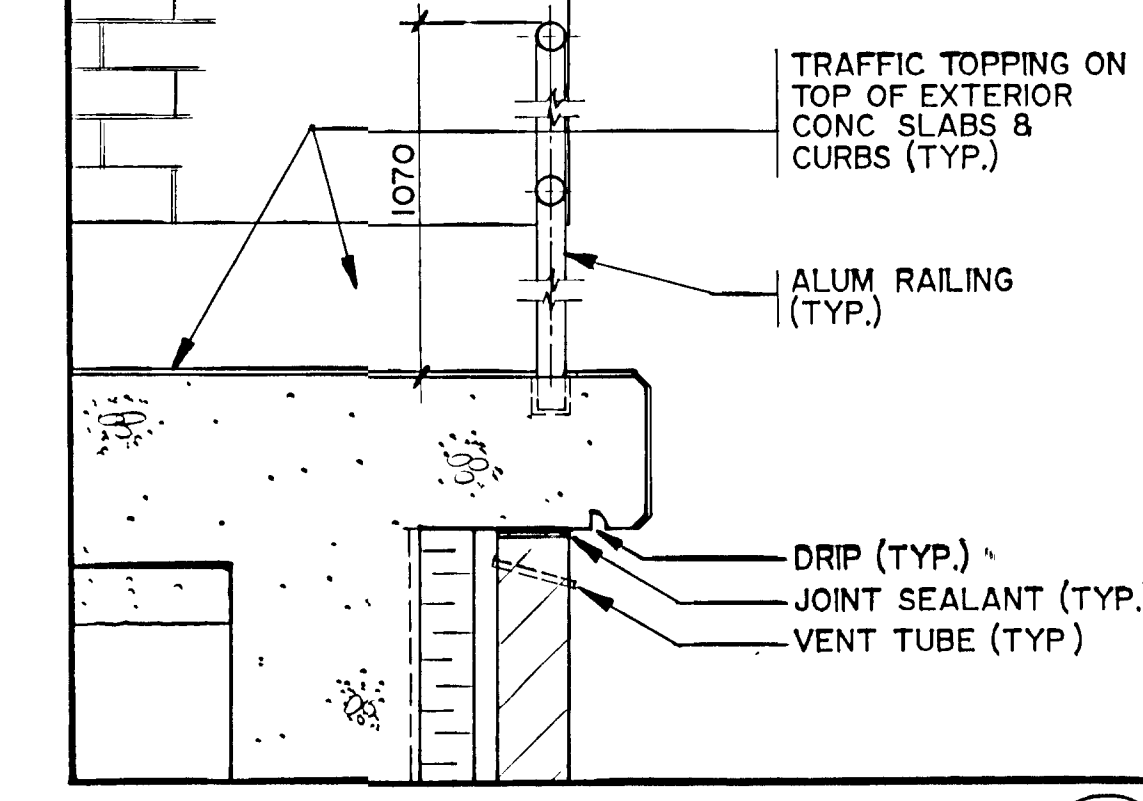
SECTION DETAIL
SCALE - 1:10
5
A3



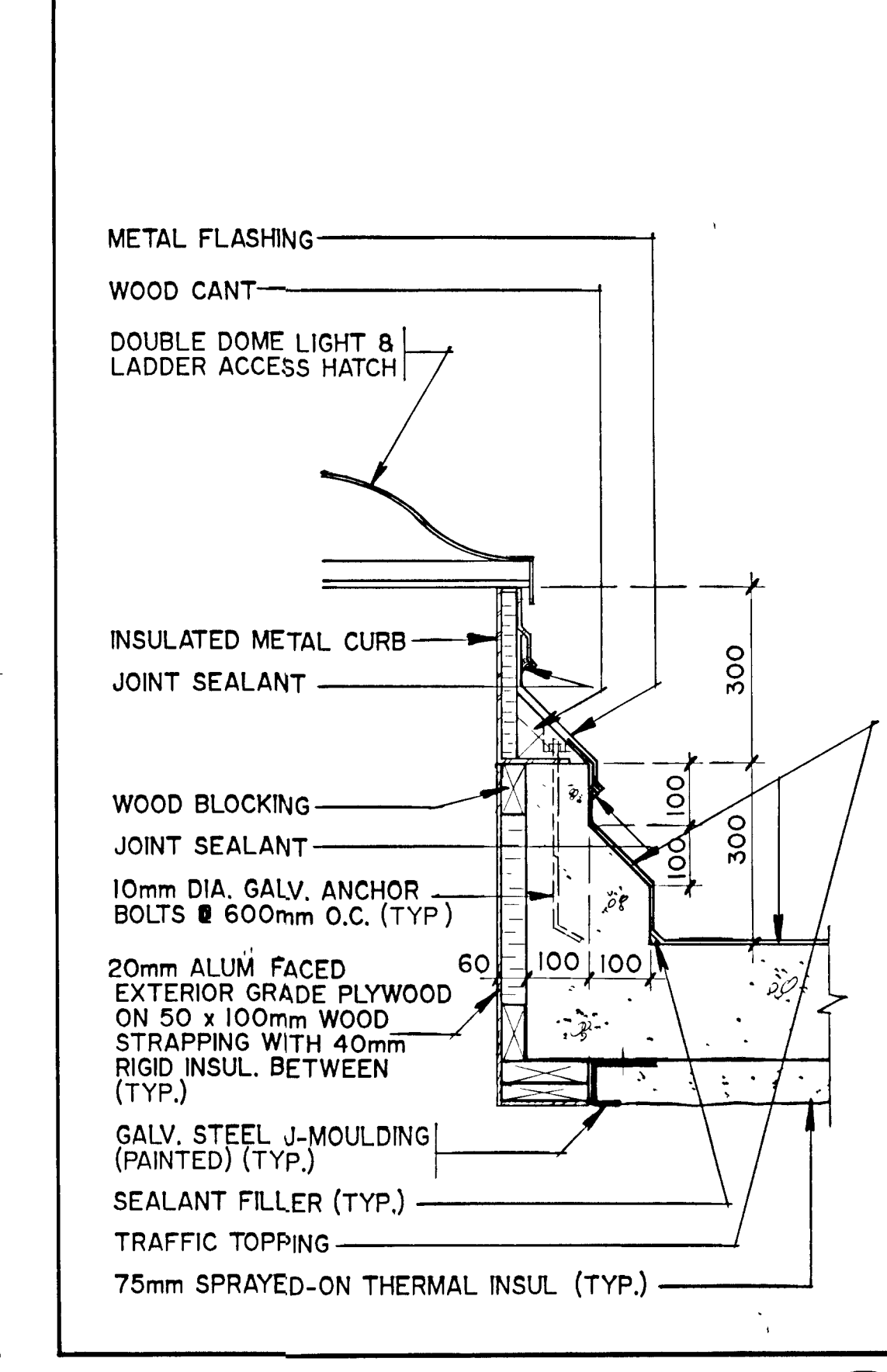
SECTION DETAIL
SCALE - 1:10
6
A4



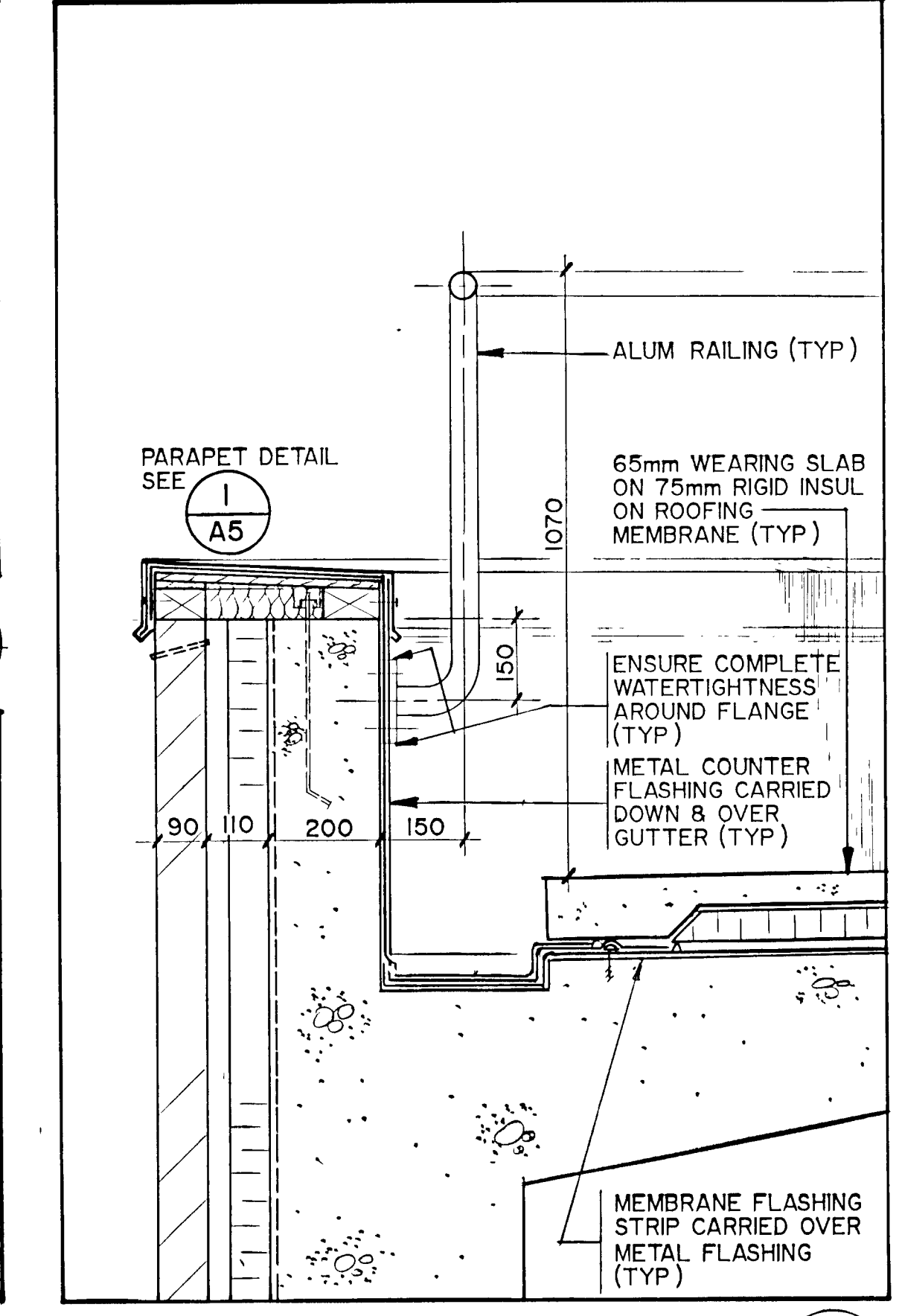
SECTION DETAIL
SCALE - 1:10
7
A4



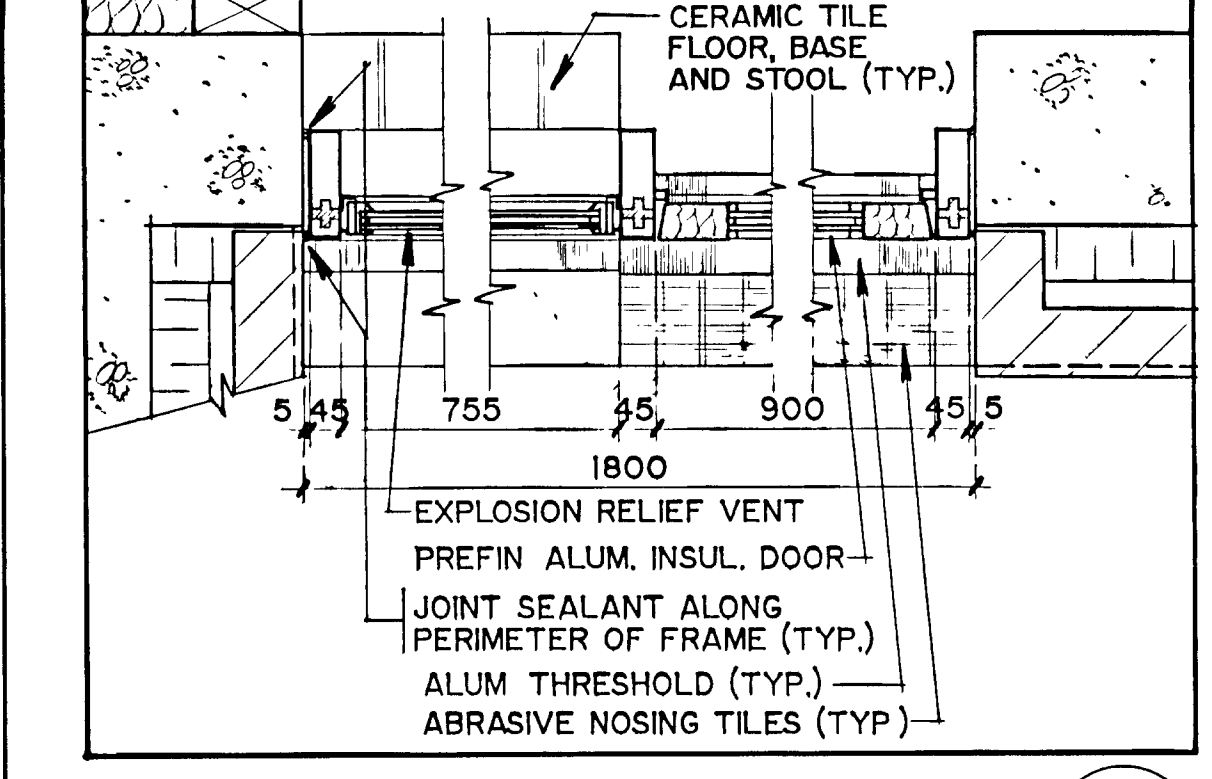
SECTION DETAIL
SCALE - 1:10
8
A2



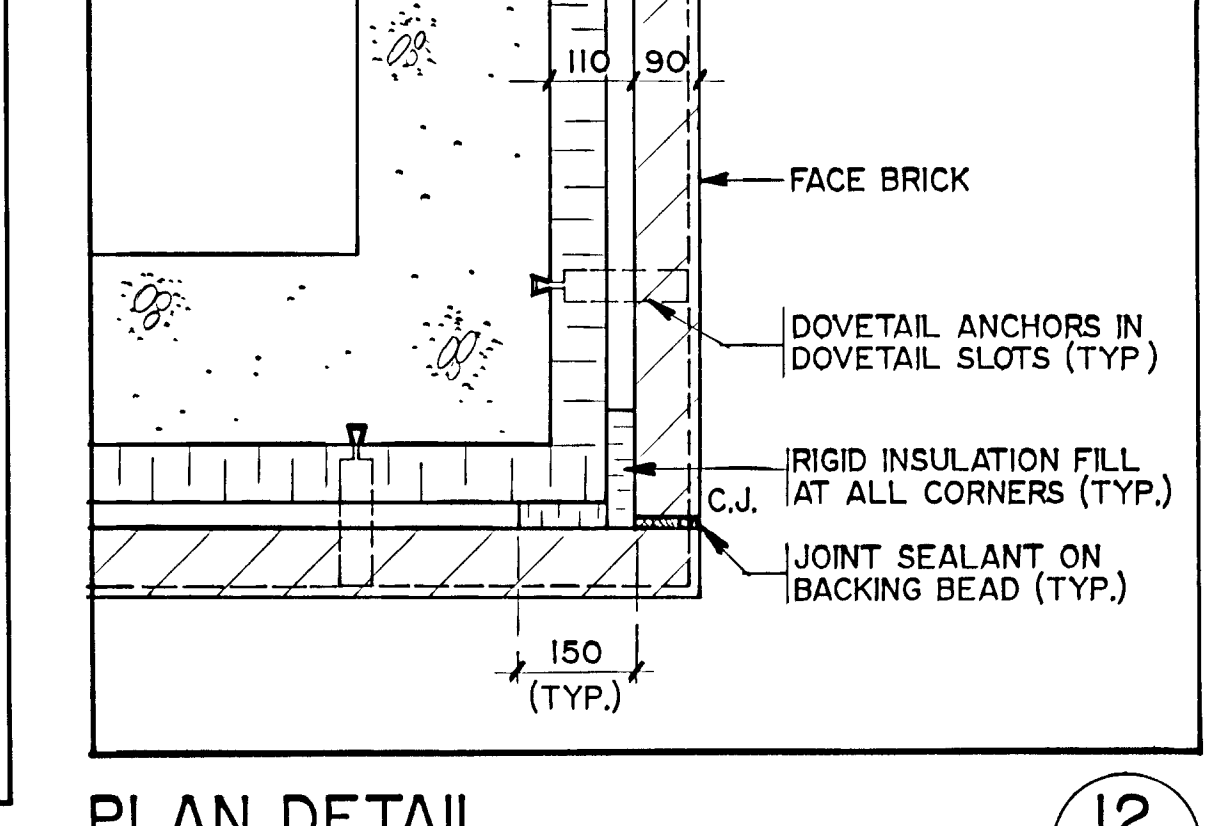
SECTION DETAIL
SCALE - 1:10
9
A4



SECTION DETAIL
SCALE - 1:10
10
A4



PLAN DETAIL
SCALE - 1:10
11
A2



PLAN DETAIL
SCALE - 1:10
12
A2

0 0.1 0.2 0.4m
Copyright © 1988 Gore & Storrie Limited

FRAME SIZE 566 x 801 mm
DRAWING SIZE A1 (595 x 841 mm)

NOTES
AS CONSTRUCTED

WPCP 103
Napanee UTILITIES

RECORD DRAWING
DATE: DECEMBER, 1990
SIGNED: [Signature]

CHECKED: [Signature]
DESIGNER: [Signature]
PROJECT MANAGER: [Signature]

ONTARIO ASSOCIATION OF ARCHITECTS
DINSHAW D. KANGA
LICENCE 271
DIVISION HEAD
Gore & Storrie Limited

DETAILS (I)

GORE & STORRIE LIMITED

GREATER NAPANEE WATER SUPPLY & POLLUTION CONTROL BOARD

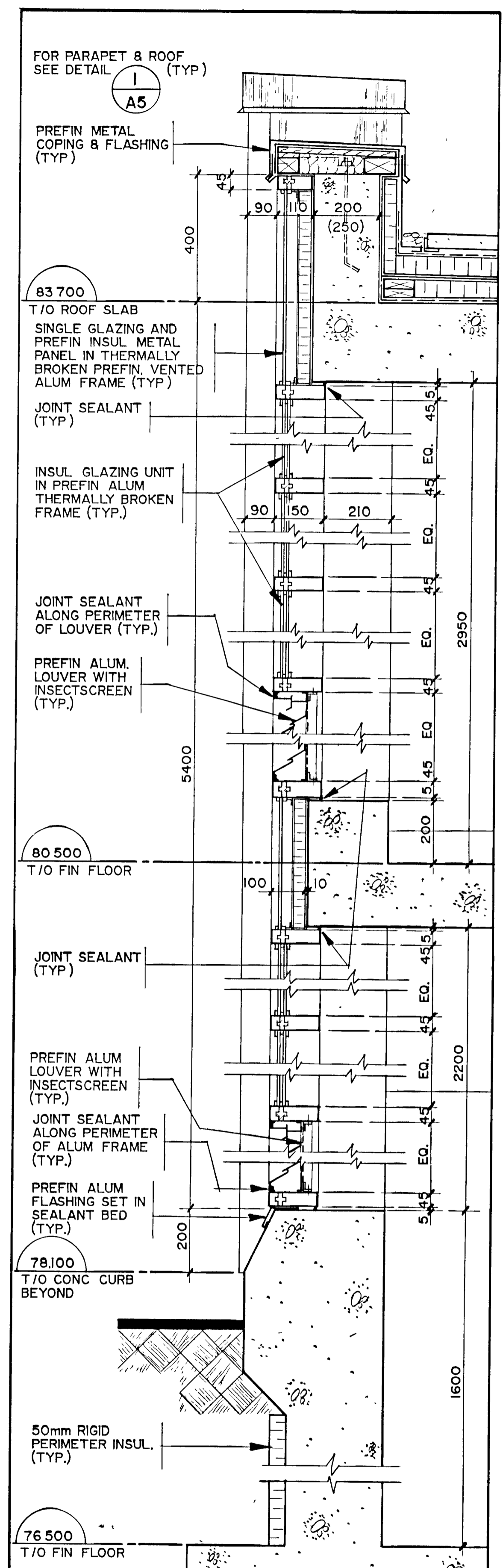
NAPANEE W.P.C.P. UPGRADING CONTRACT I-I CIVIL WORKS

Gore & Storrie Limited G&S
Consulting Engineers & Architects

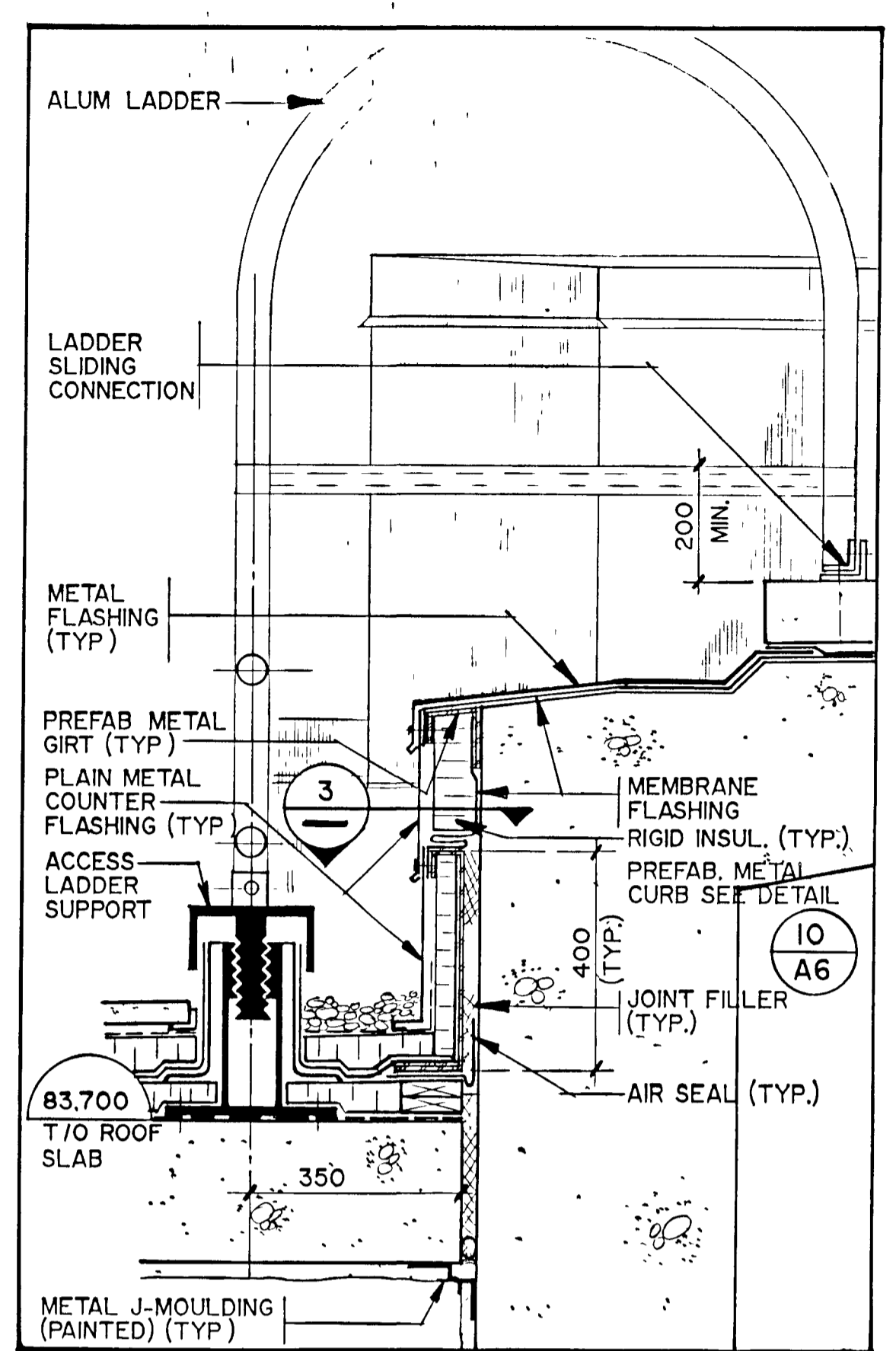
DATE: APRIL 1988
SCALE: 1:10

FILE NO: 648.07-AI-05934
DRAWING NO: A5

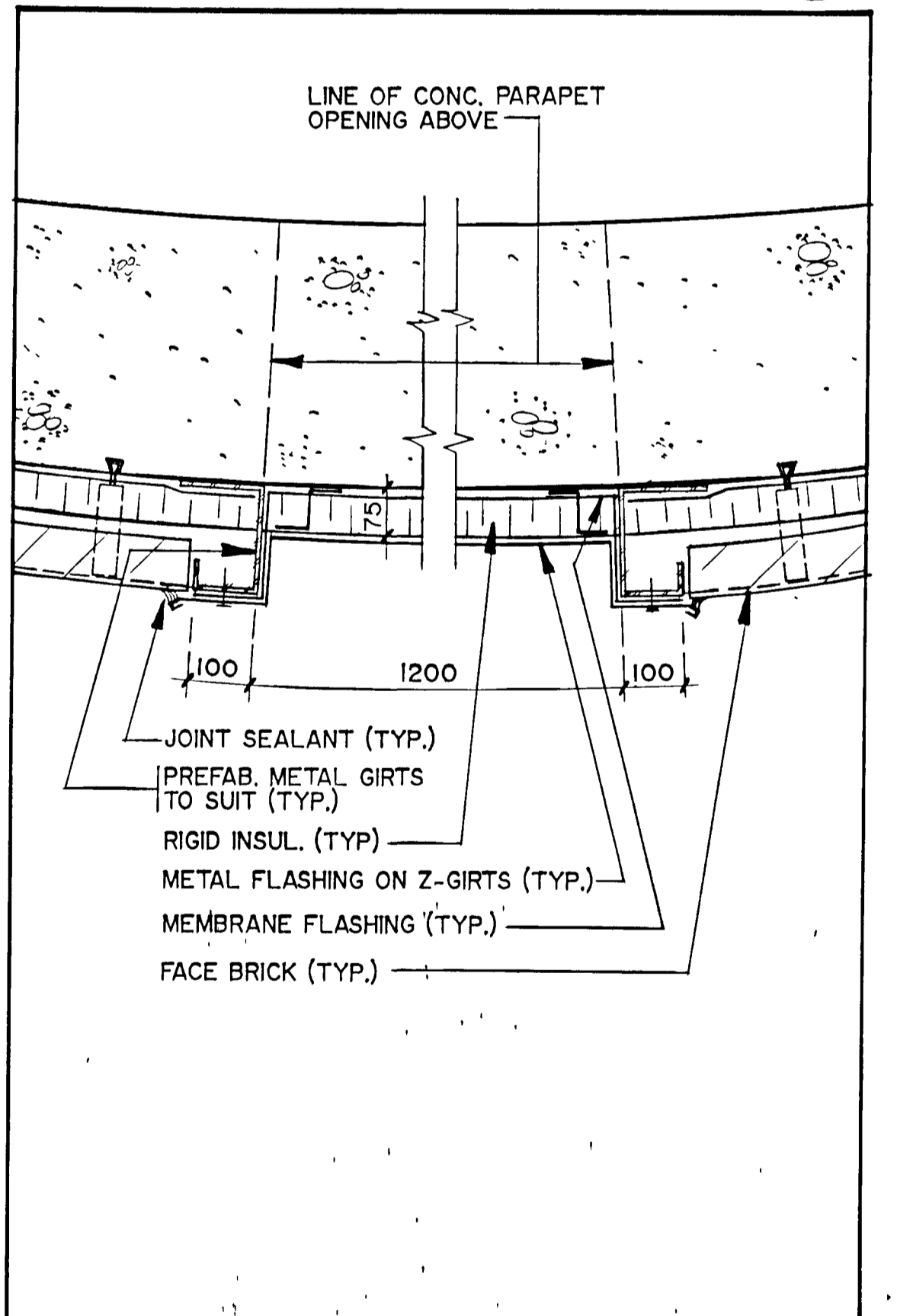
SUPERSEDES ALL DRAWINGS BEARING PREVIOUS REVISION NUMBERS



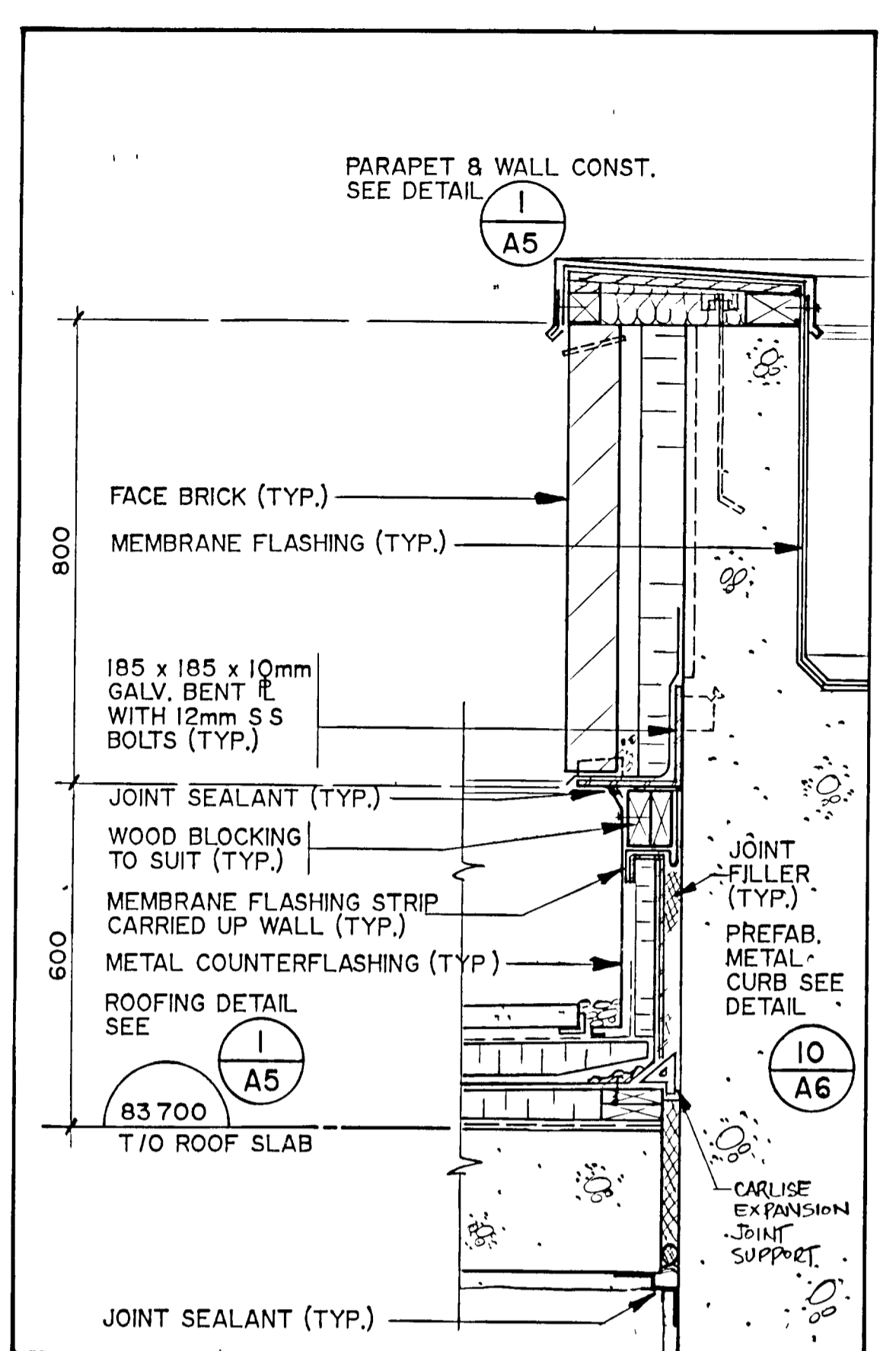
SECTION DETAIL 1
SCALE - 1:10
A2



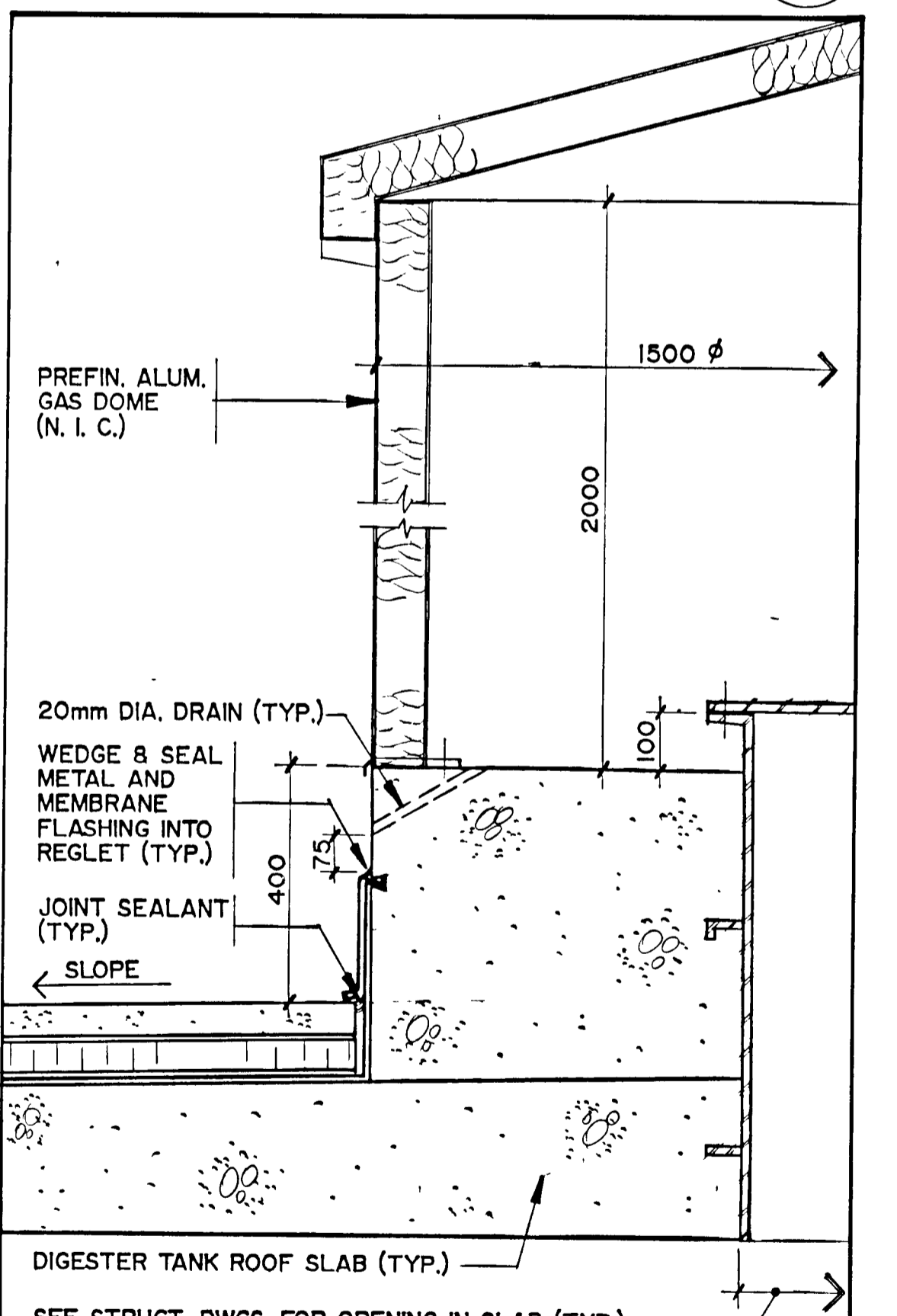
SECTION DETAIL 2
SCALE - 1:10
A4



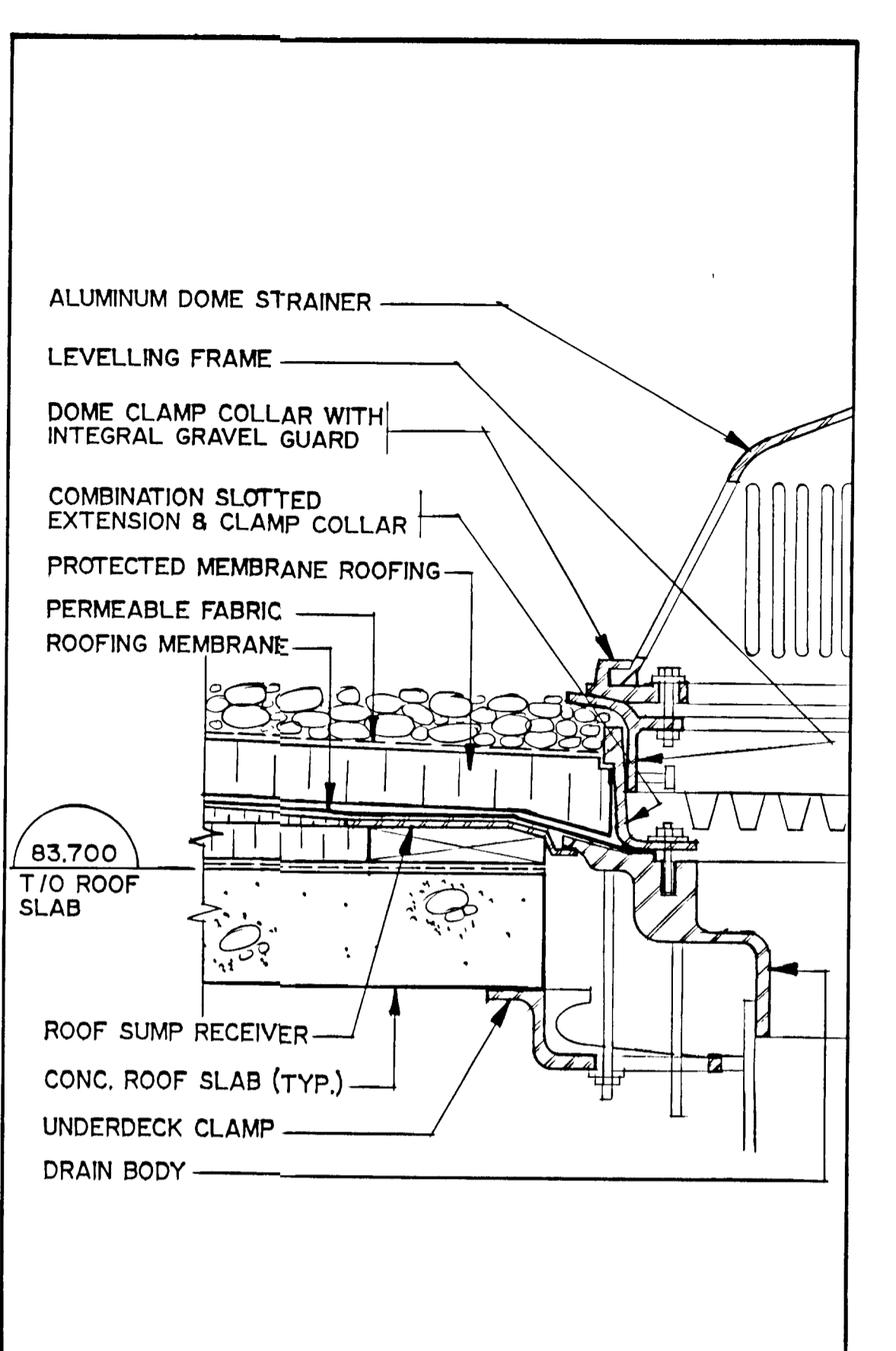
PLAN DETAIL 3
SCALE - 1:10



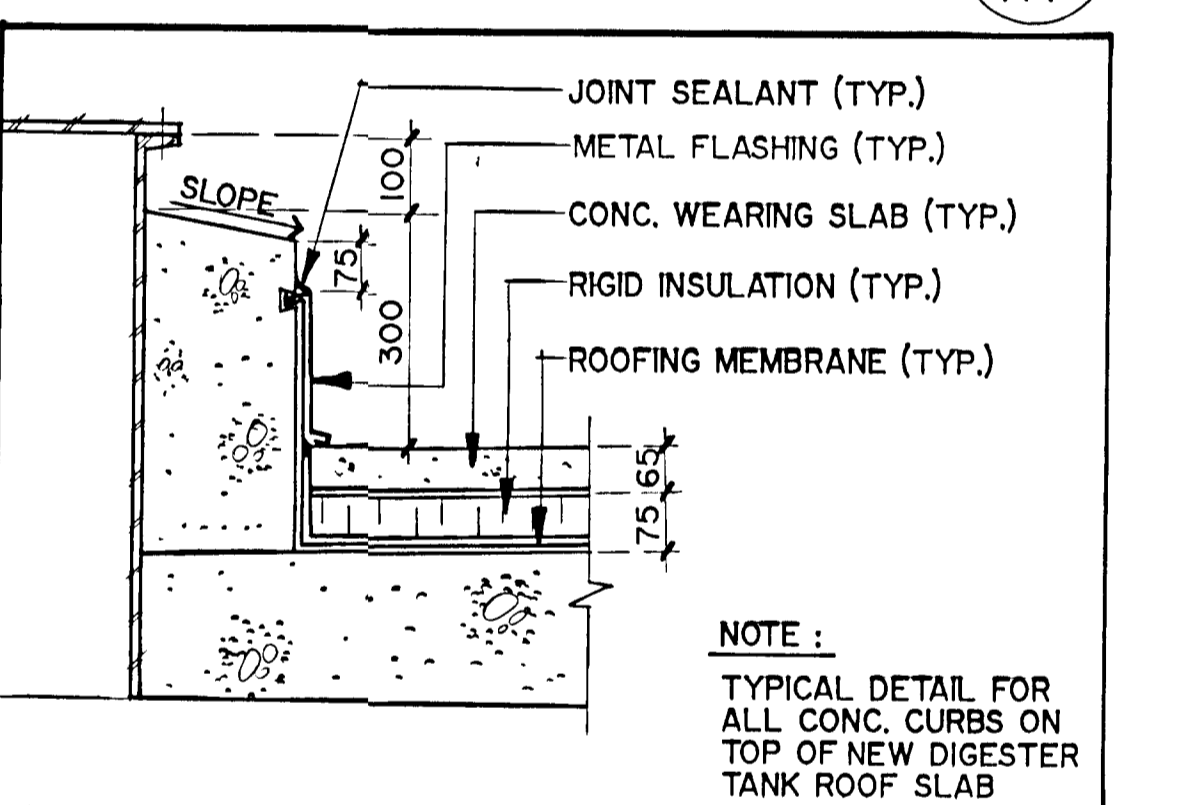
SECTION DETAIL 4
SCALE - 1:10
A4



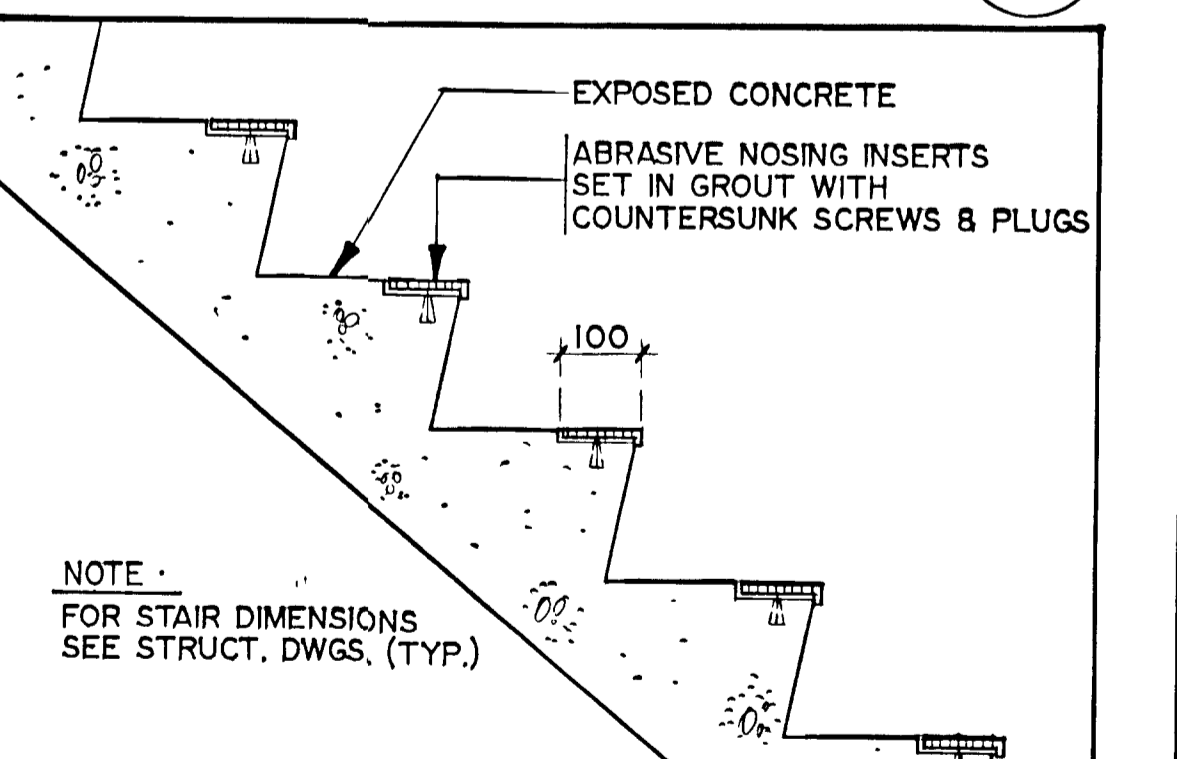
SECTION DETAIL 5
SCALE - 1:10
A4



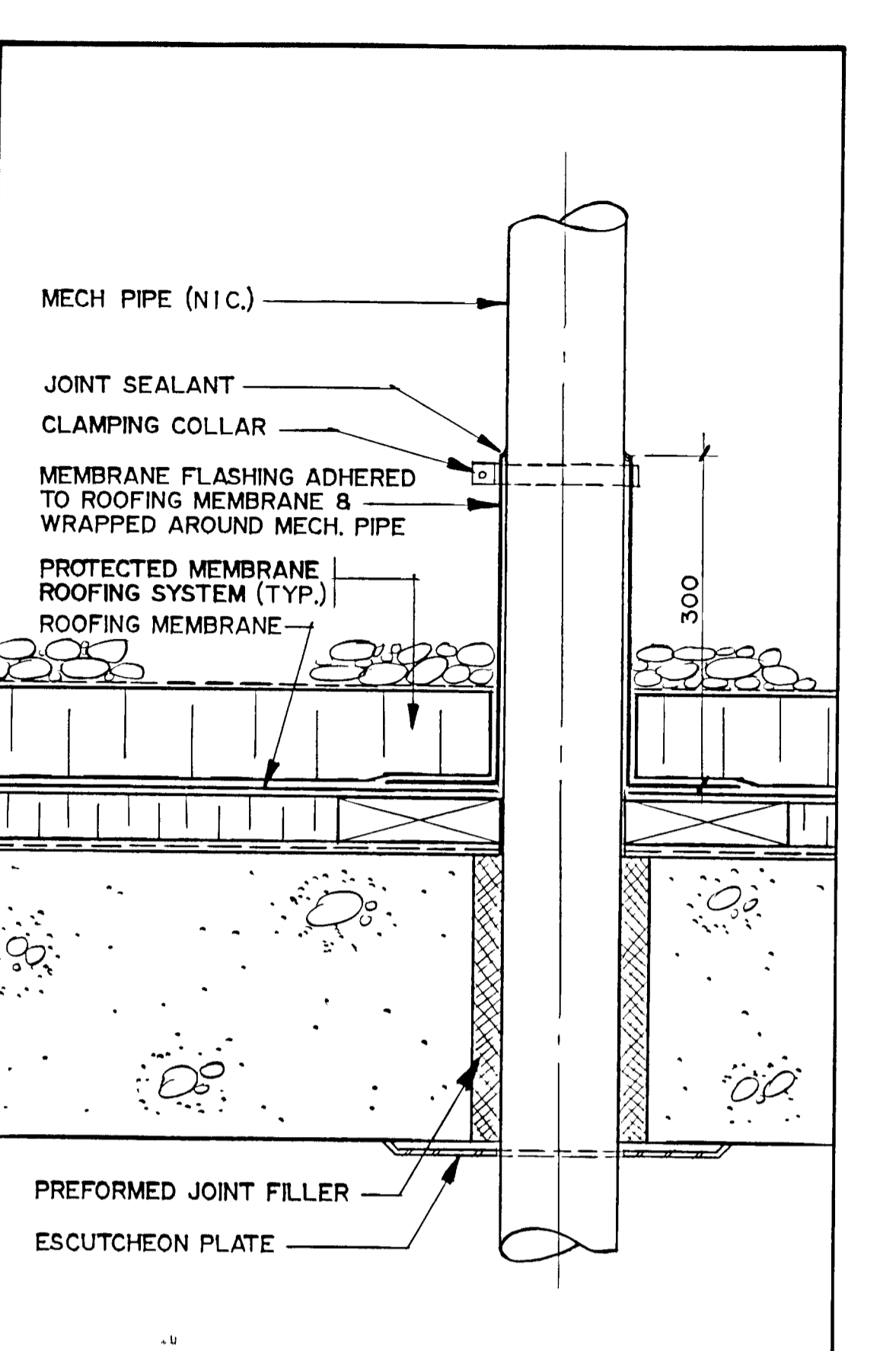
SECTION DETAIL 6
SCALE - 1:10
A4



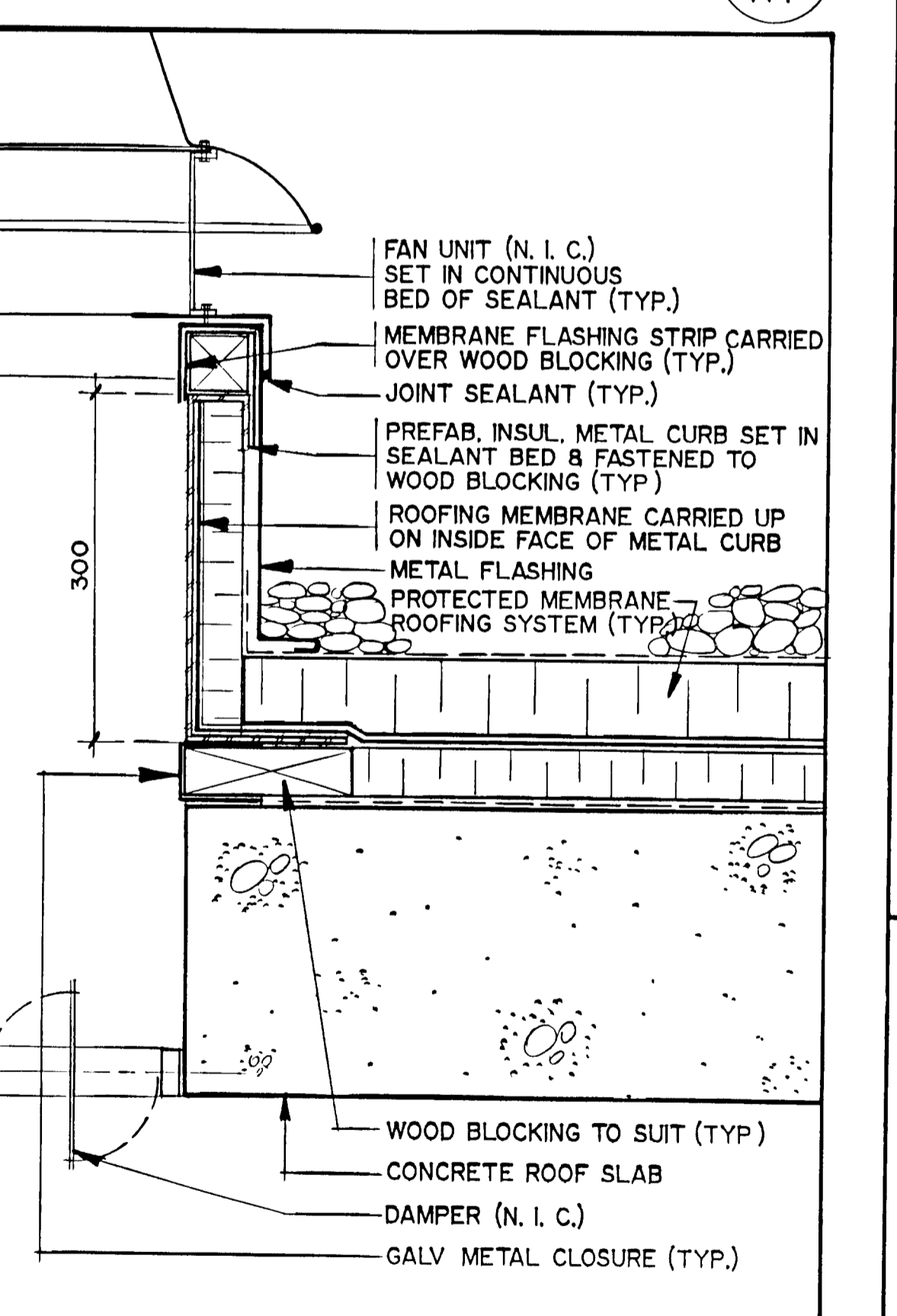
SECTION DETAIL 7
SCALE - 1:10
A4



SECTION DETAIL 8
SCALE - 1:10
A4



SECTION DETAIL 9
SCALE - 1:5
A4



SECTION DETAIL 10
SCALE - 1:5
A4

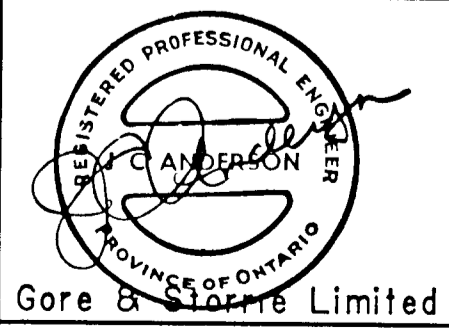
FRAME SIZE 566 x 801 mm
DRAWING SIZE A1 (595 x 841 mm)

NOTES
AS CONSTRUCTED



WPCP
104

CHECKED
DESIGNER
PROJECT MANAGER



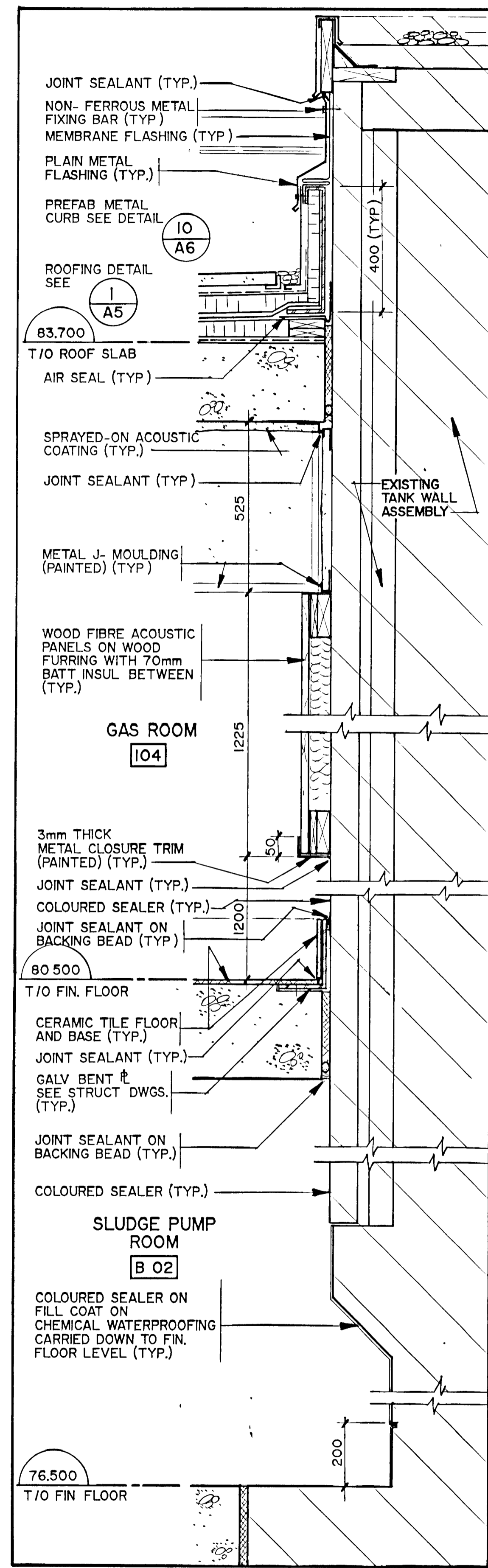
DETAILS (2)

GREATER NAPANEE WATER SUPPLY &
POLLUTION CONTROL BOARD

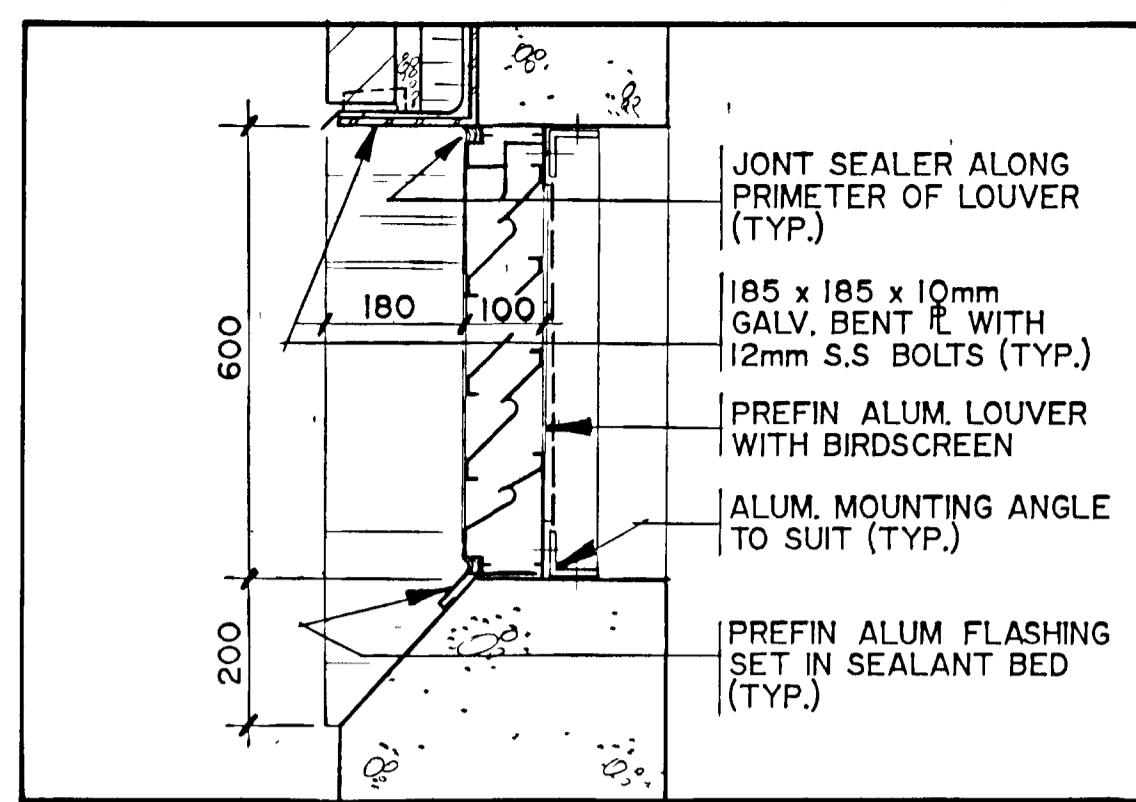
NAPANEE W.P.C.P. UPGRADING
CONTRACT I-1 CIVIL WORKS

Gore & Storrie Limited G&S	
Consulting Engineers & Architects	
DATE APRIL 1988	FILE NO 648.07-AI-05935
SCALE AS NOTED	DRAWING NO A6

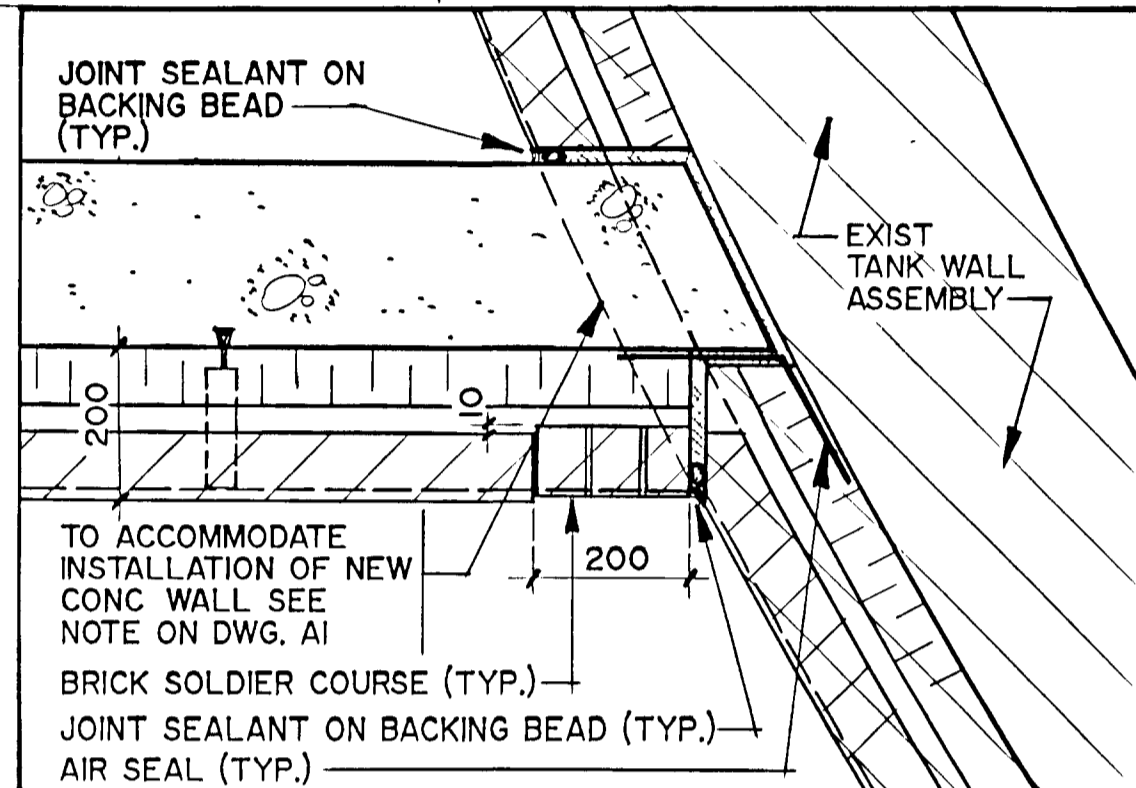
SUPERSEDES ALL DRAWINGS BEARING PREVIOUS REVISION NUMBERS



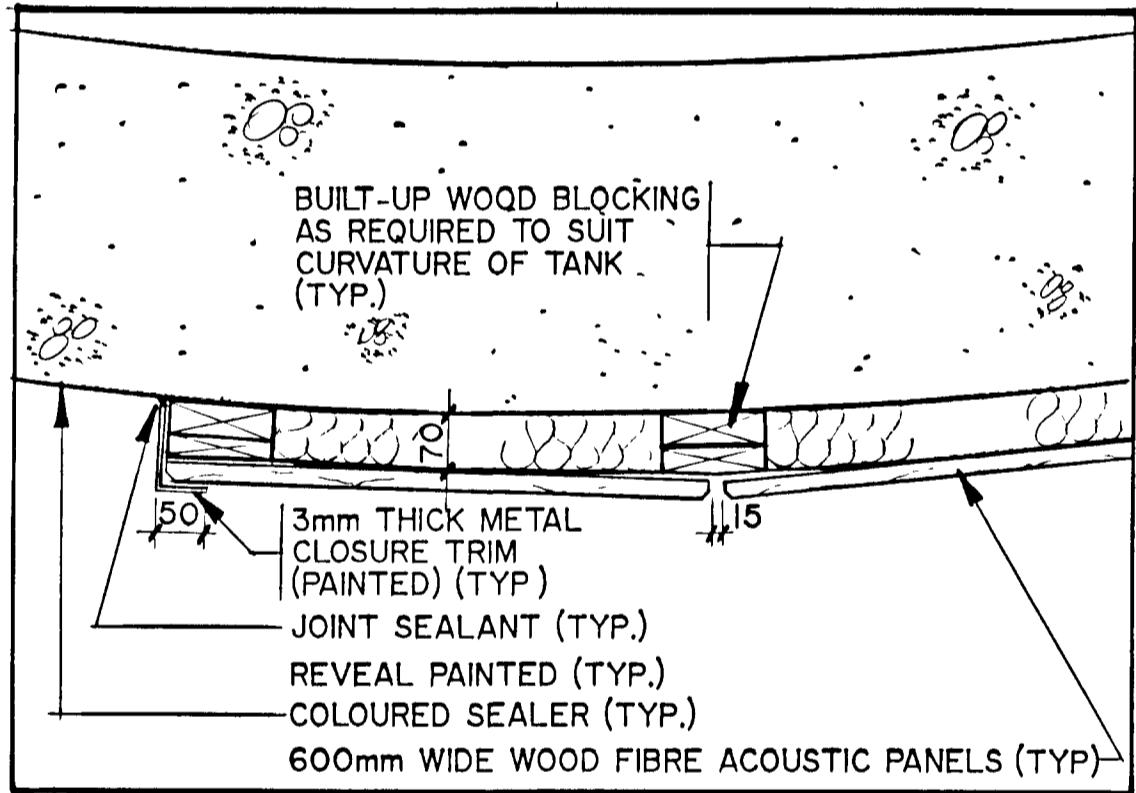
SECTION DETAIL
SCALE - 1:10



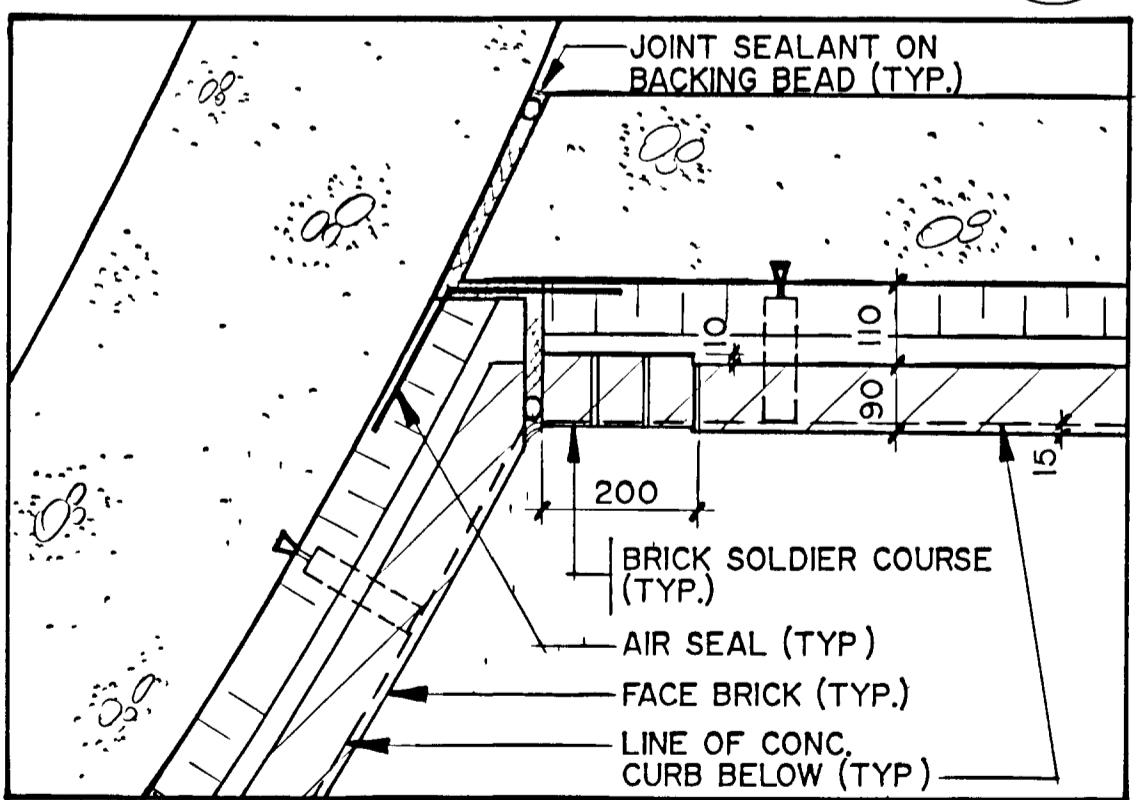
SECTION DETAIL
SCALE - 1:10



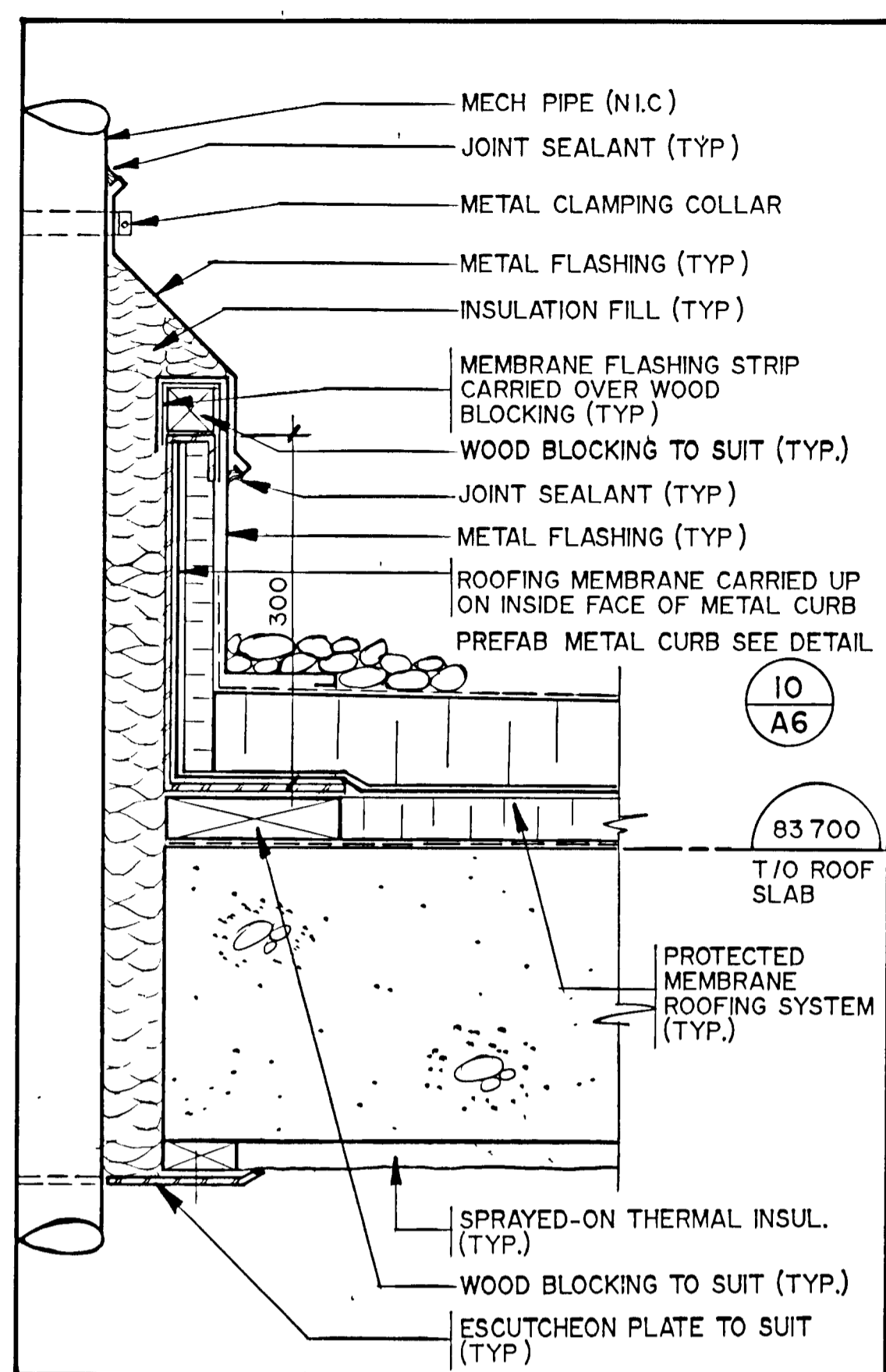
PLAN DETAIL
SCALE - 1:10



PLAN DETAIL
SCALE - 1:10



PLAN DETAIL
SCALE - 1:10



SECTION DETAIL (FOR PENETRATIONS LARGER THAN 100mm)
SCALE - 1:5

FRAME SIZE 566 x 801 mm
DRAWING SIZE A1 (595 x 841 mm)



Copyright © 1988 Gore & Storrie Limited

NOTES	
RECORD DRAWING	DATE _____ SIGNED _____

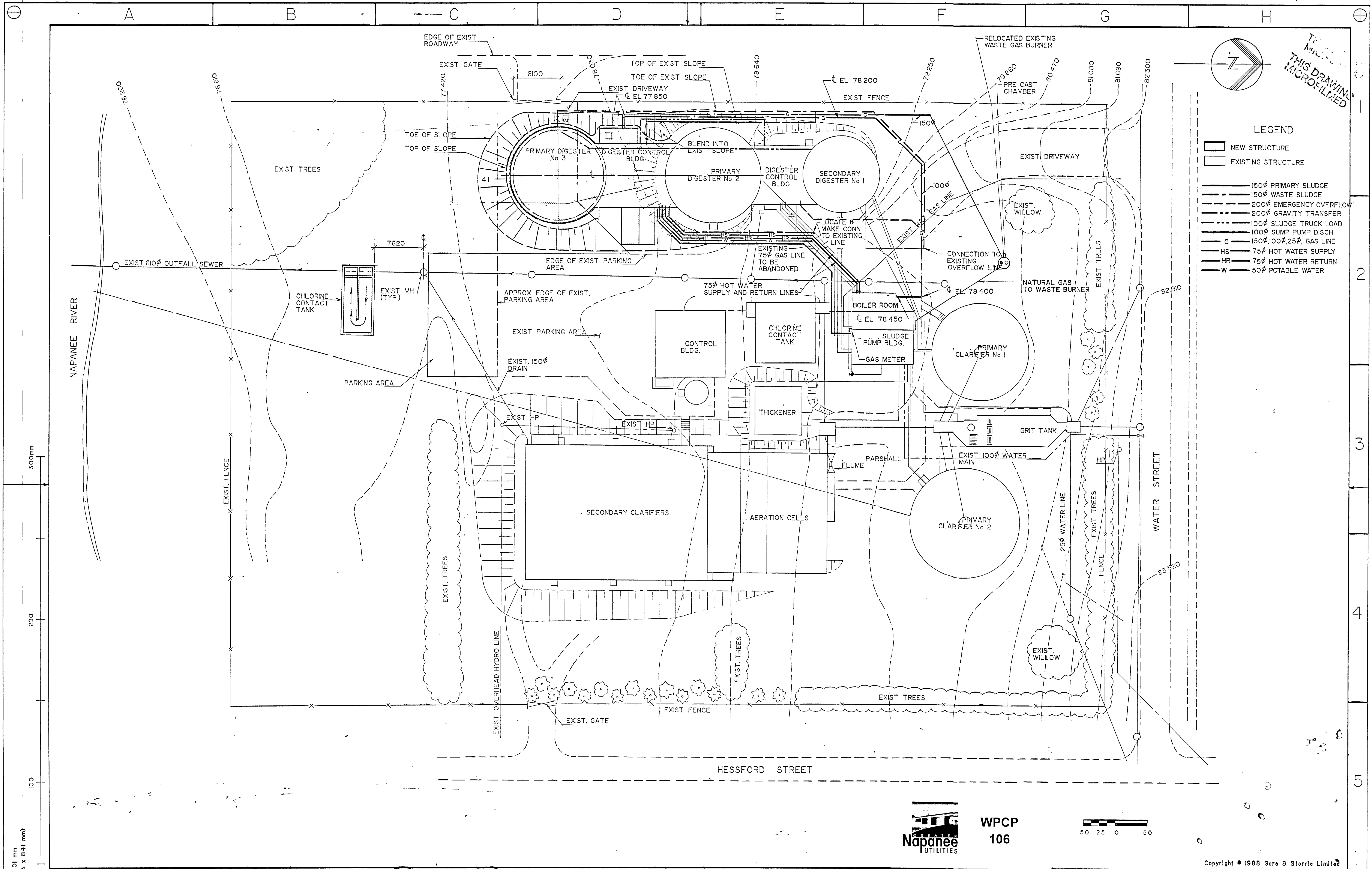
CHECKED _____
DESIGNER **Don I. Anderson**
PROJECT MANAGER **1985**
ARCHITECTS **AF ARCHITECTS**
DINSHAW D. KANG
LICENCE 2711
DIVISION HEAD
Gore & Storrie Limited

DETAILS (3)

GREATER NAPANEE WATER SUPPLY & POLLUTION CONTROL BOARD
NAPANEE W.P.C.P. UPGRADING CONTRACT I-I CIVIL WORKS

Gore & Storrie Limited G&S	
Consulting Engineers & Architects	
DATE APRIL 1988	FILE N ^o 648.07-AI-05936
SCALE AS NOTED	DRAWING N ^o A7

SUPERSEDES ALL DRAWINGS BEARING PREVIOUS REVISION NUMBERS



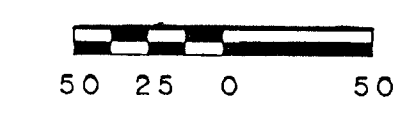
THIS DRAWING MICROFILMED

- LEGEND**
- ▭ NEW STRUCTURE
 - ▭ EXISTING STRUCTURE
 - 150 ϕ PRIMARY SLUDGE
 - 150 ϕ WASTE SLUDGE
 - 200 ϕ EMERGENCY OVERFLOW
 - 200 ϕ GRAVITY TRANSFER
 - 100 ϕ SLUDGE TRUCK LOAD
 - 100 ϕ SUMP PUMP DISCH
 - G — 150 ϕ , 100 ϕ , 25 ϕ , GAS LINE
 - HS — 75 ϕ HOT WATER SUPPLY
 - HR — 75 ϕ HOT WATER RETURN
 - W — 50 ϕ POTABLE WATER

300mm
 200
 100
 0
 FRAME SIZE 566 x 801 mm
 DRAWING SIZE A1 (595 x 841 mm)



WPCP 106



Copyright © 1988 Gore & Storrie Limited

NOTES
 AS CONSTRUCTED

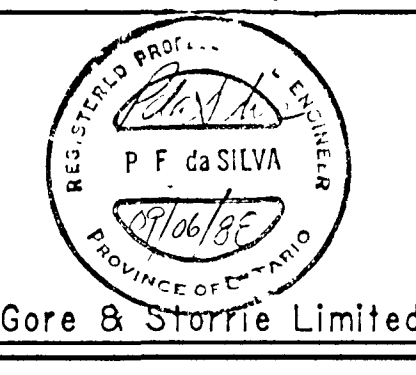
RECORD DRAWING
 DATE: OCTOBER 31, 1990
 SIGNED: *[Signature]*

CHECKED

DESIGNER: *[Signature]*

PROJECT MANAGER: *[Signature]*

DIVISION HEAD: *[Signature]*



YARD PIPING

GREATER NAPANEE WATER SUPPLY & POLLUTION CONTROL BOARD

NAPANEE W.P.C.P. UPGRADING
 CONTRACT 1-2 MECHANICAL

Gore & Storrie Limited

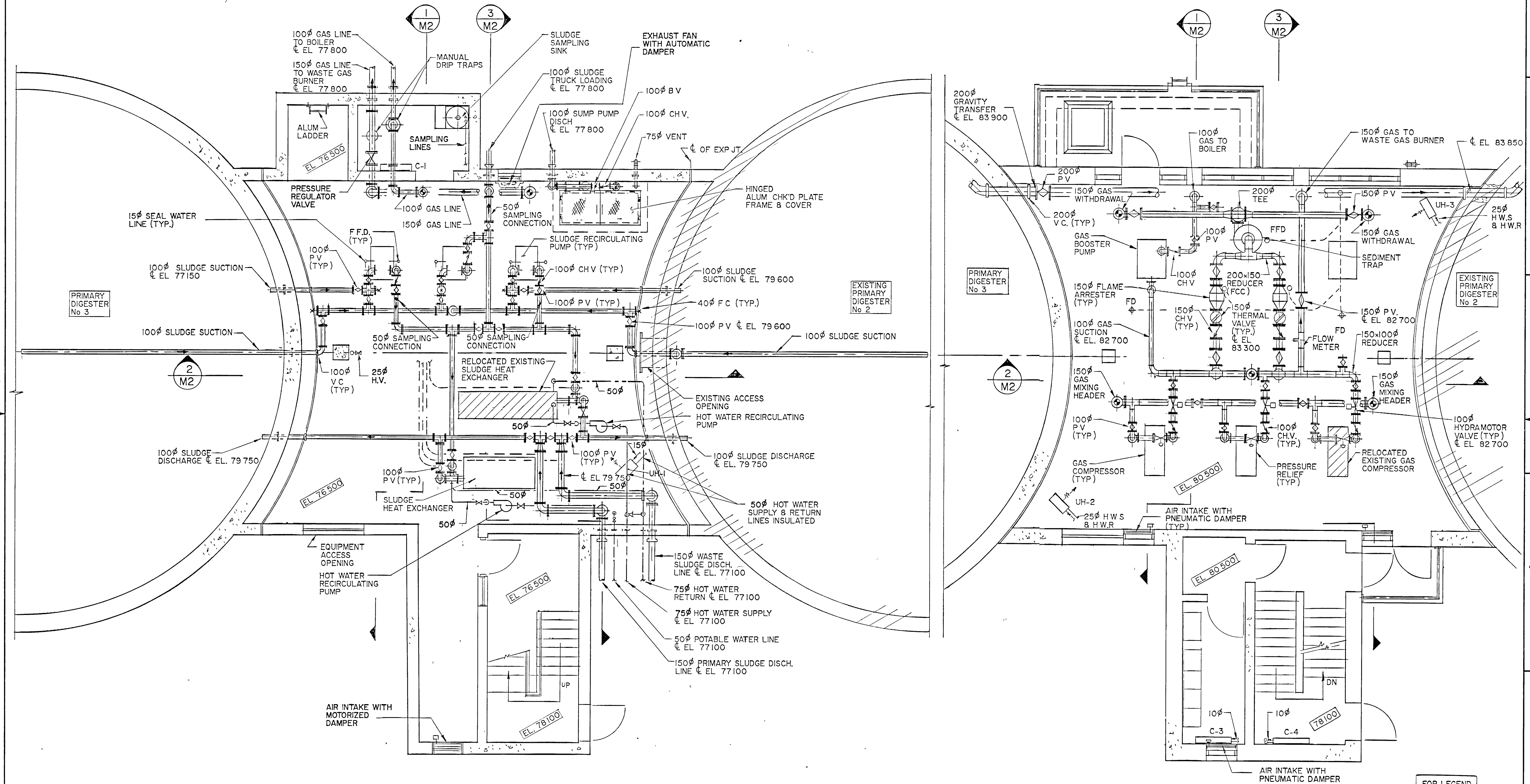
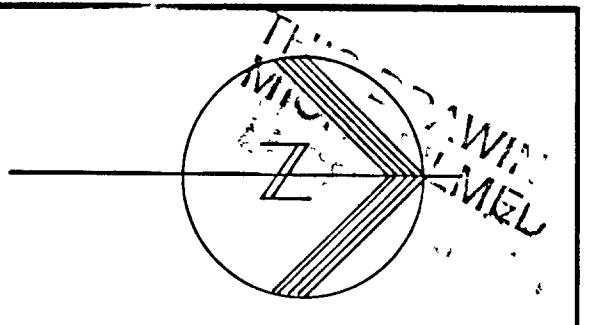
Consulting Engineers & Architects

DATE: JUNE 1988
 SCALE: 1/250

FILE # 648 07-AI-05937
 DRAWING # GI

SUPERSEDES ALL DRAWINGS BEARING PREVIOUS REVISION NUMBERS

A B C D E F G H



PLAN AT ELEV. 80000

PLAN AT ELEV. 83.200



WPCP
107

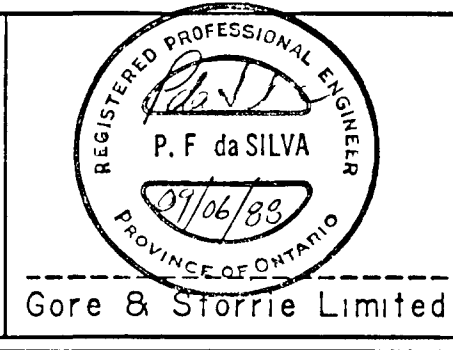
FOR LEGEND
SEE DWG M3

FRAME SIZE 566 x 801 mm
DRAWING SIZE A1 (595 x 841 mm)

NOTES
AS CONSTRUCTED

RECORD DRAWING OCTOBER 31, 1990 DATE *[Signature]* SIGNED

CHECKED _____
DESIGNER *[Signature]*
DEPARTMENT HEAD *[Signature]*
PROJECT MANAGER _____



DIGESTER CONTROL BUILDING
PLANS

GREATER NAPANEE WATER SUPPLY &
POLLUTION CONTROL BOARD

NAPANEE W.P.C.P. UPGRADING
CONTRACT I-2 MECHANICAL WORKS

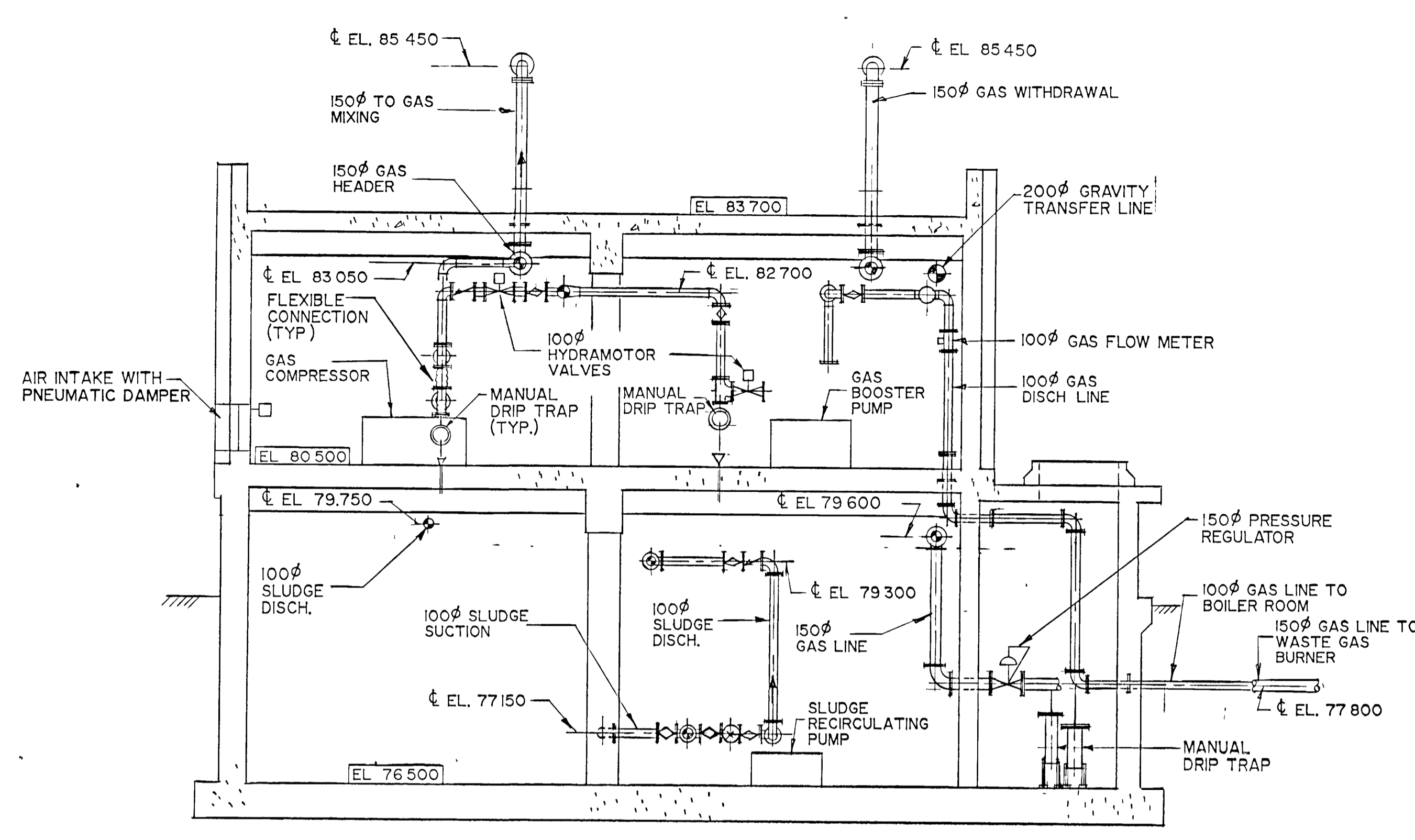
Gore & Storrie Limited **GSS**
Consulting Engineers & Architect

DATE JUNE 1988 FILE NO. 648 07-AL-05938
SCALE 1:50 DRAWING NO. MI

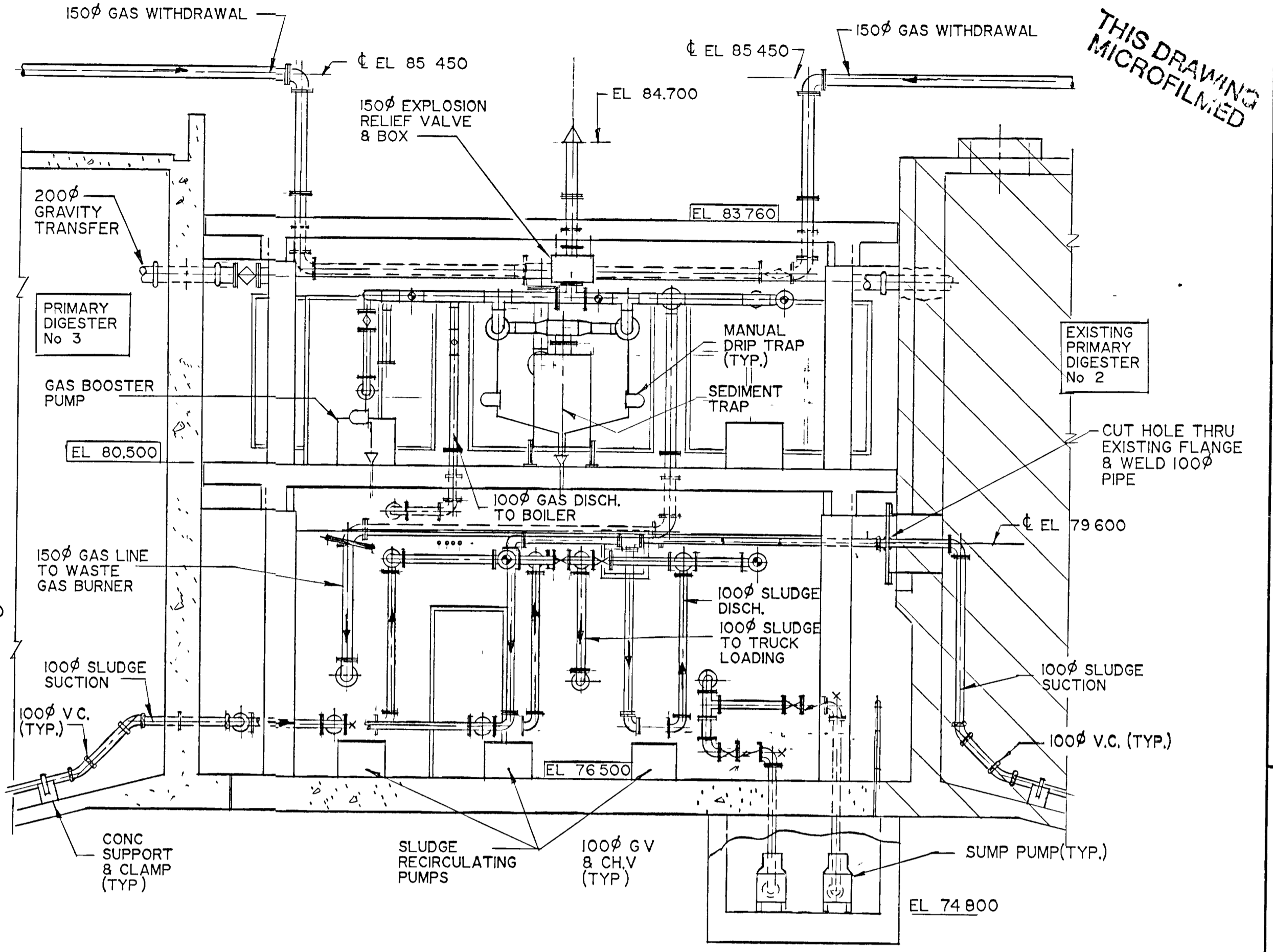
Copyright © 1988 Gore & Storrie Limited

SUPERSEDES ALL DRAWINGS BEARING PREVIOUS REVISION NUMBERS

THIS DRAWING MICROFILMED

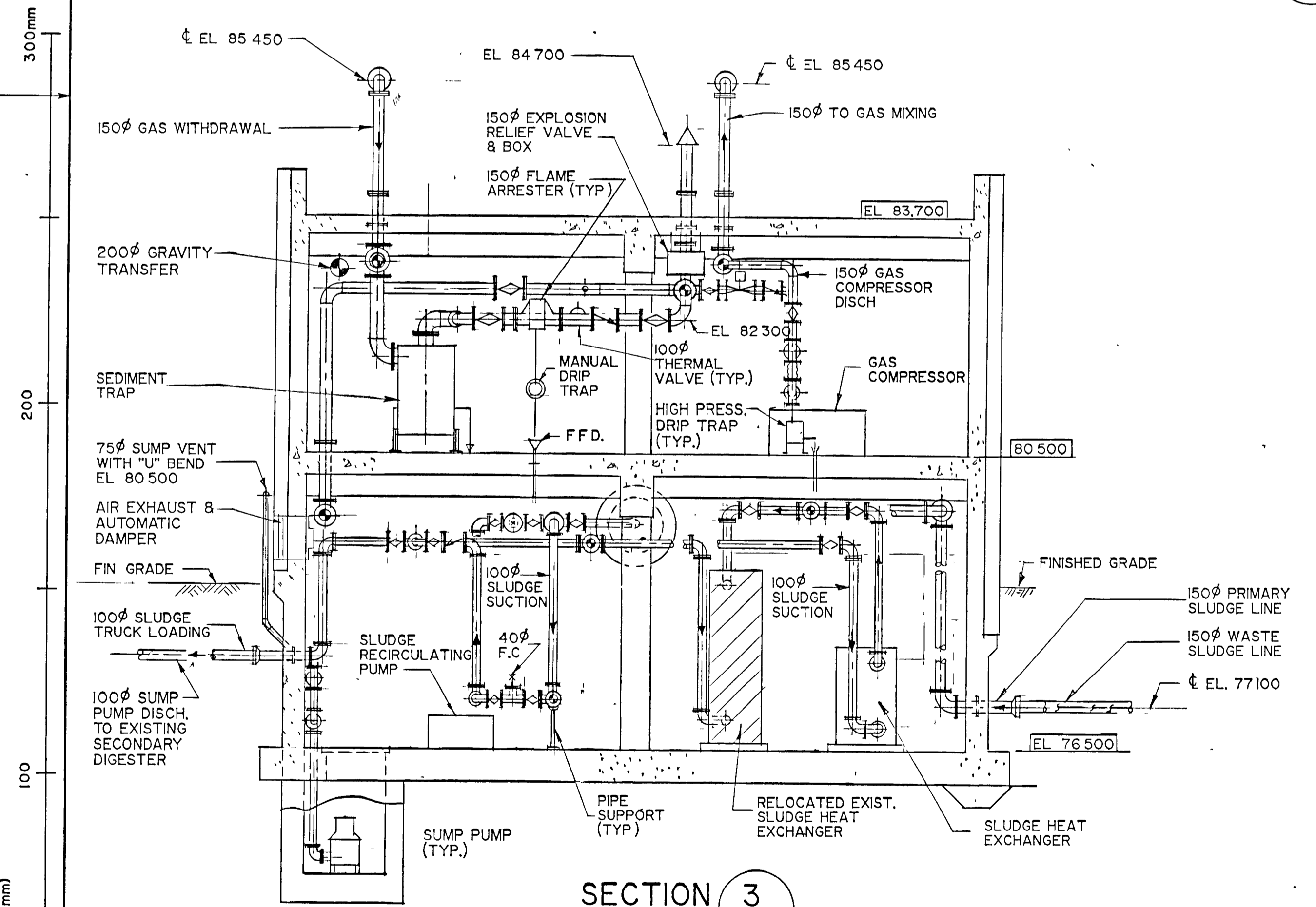


SECTION 1
MI

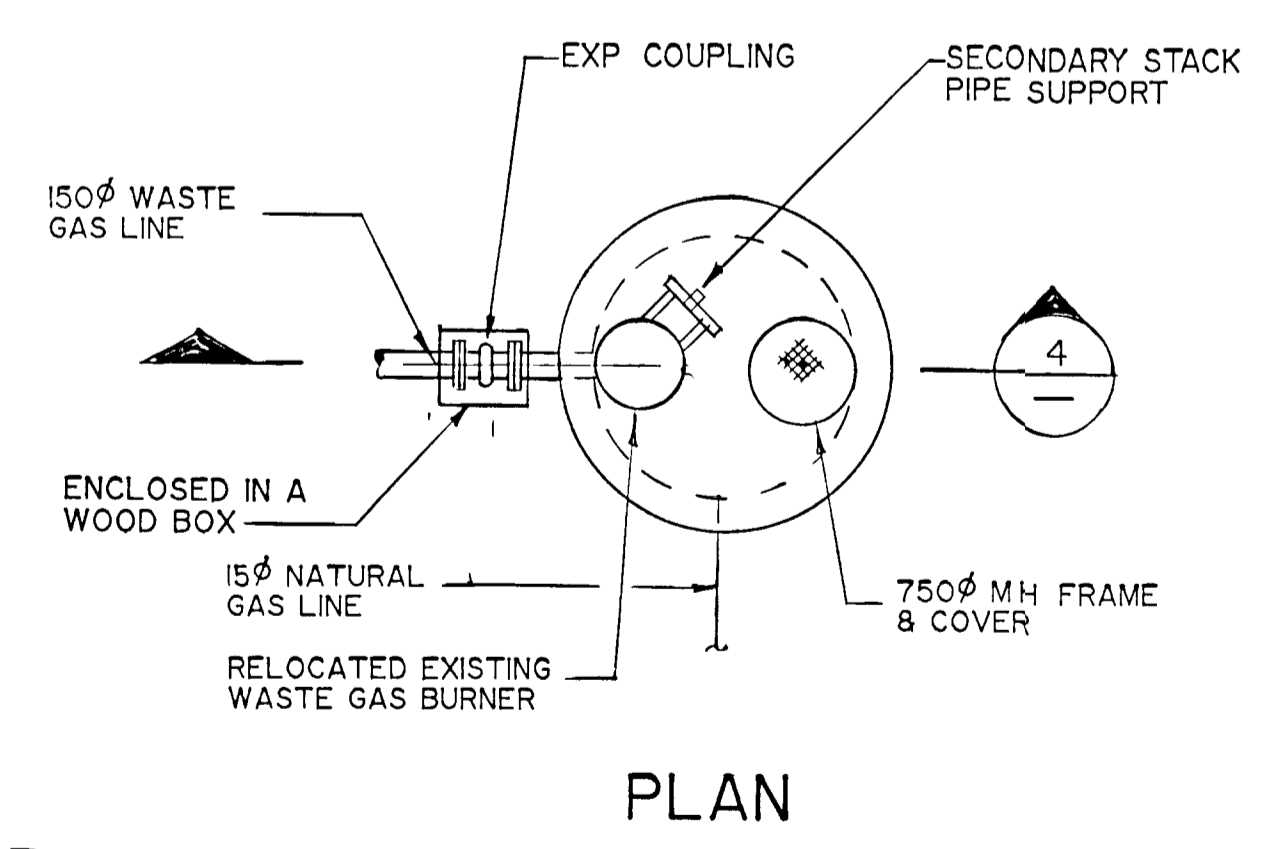


SECTION 2
MI

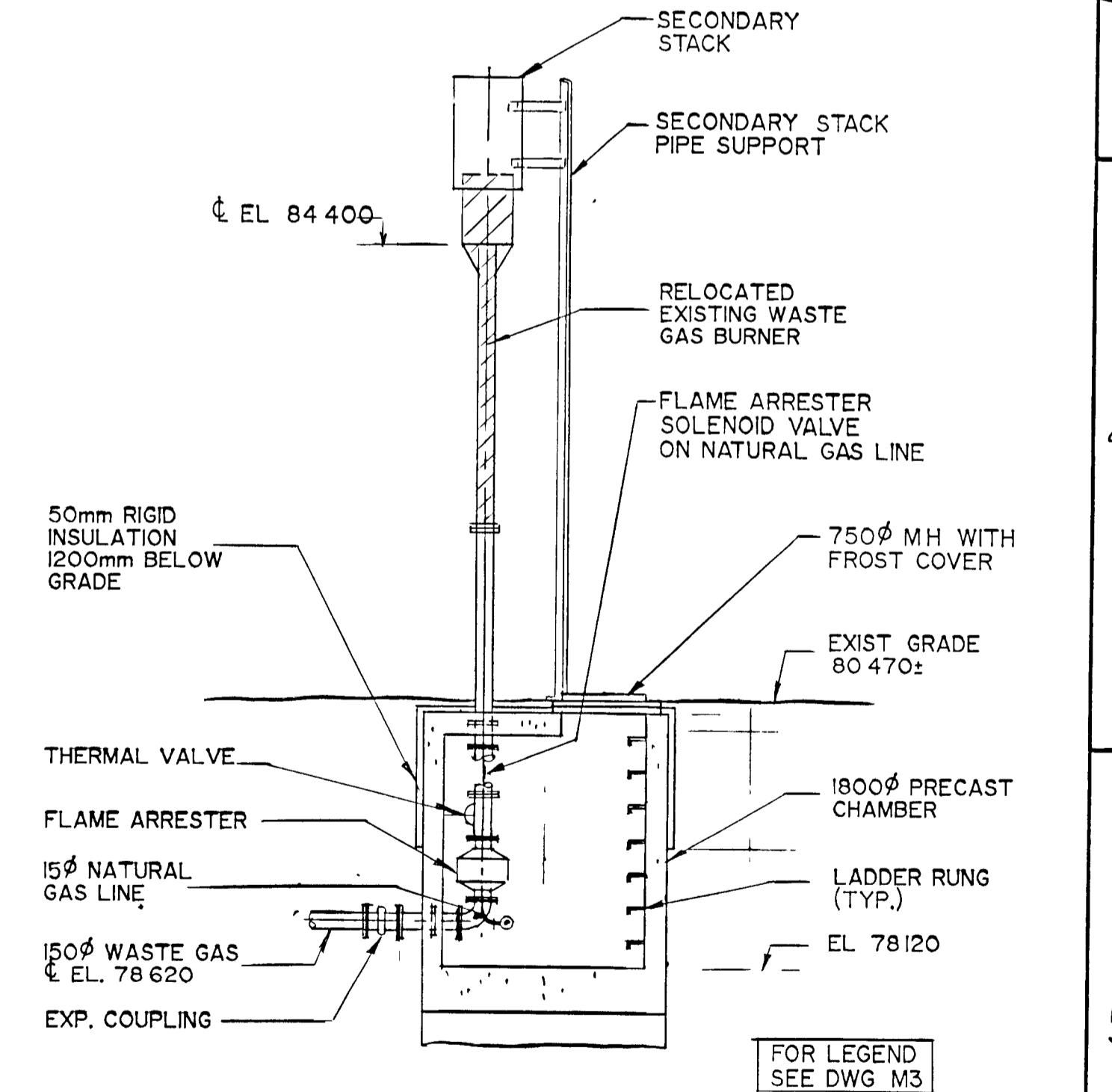
GEN. NOTE
ALL REDUCERS ON
GAS LINE TO BE
ECCENTRIC REDUCERS



SECTION 3
MI



PLAN



SECTION 4
MI

FOR LEGEND
SEE DWG M3

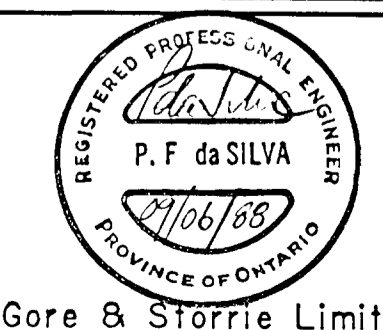


WPCP
108

WASTE GAS BURNER

NOTES
AS CONSTRUCTED

CHECKED
DESIGNER
PROJECT MANAGER
DIVISION HEAD



DIGESTER CONTROL BUILDING
SECTIONS

GREATER NAPANEE WATER SUPPLY &
POLLUTION CONTROL BOARD

NAPANEE W.P.C.P. UPGRADING
CONTRACT 1-2 MECHANICAL

Copyright © 1988 Gore & Storrie Limited

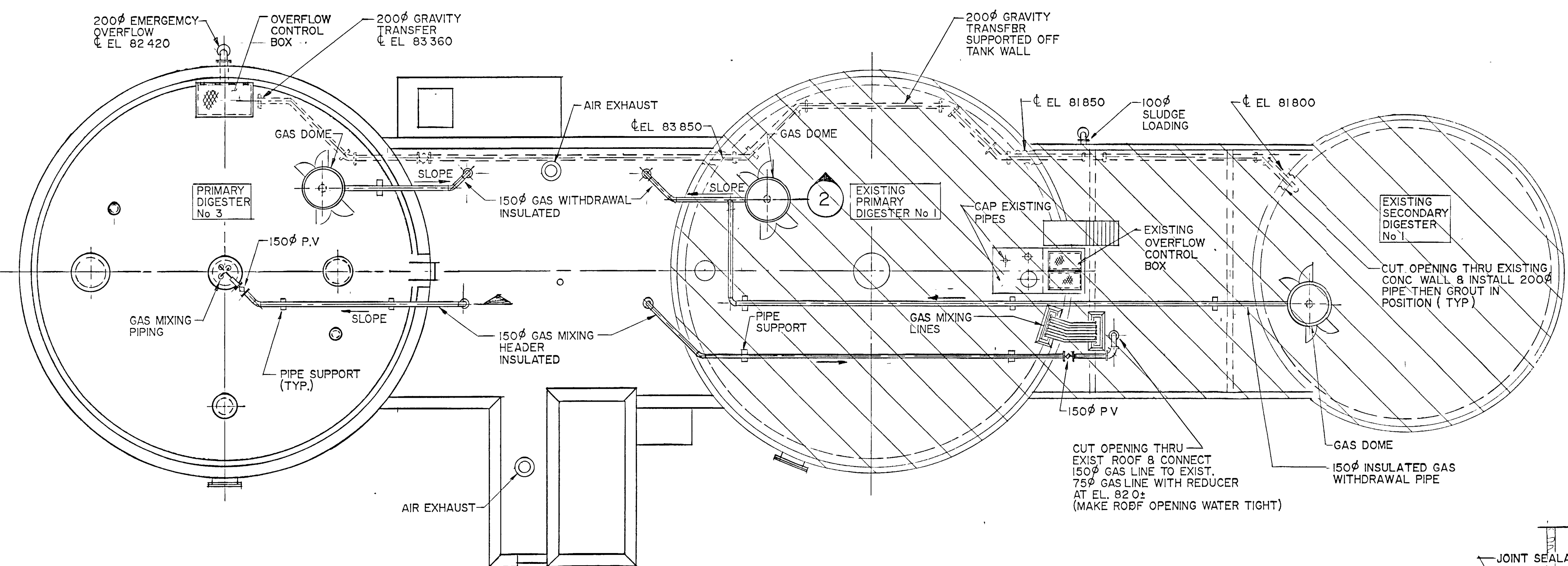
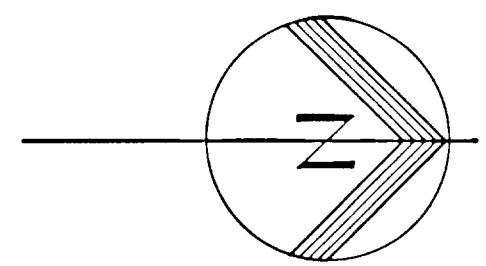
Gore & Storrie Limited G&S
Consulting Engineers & Architects

DATE: JUNE 1988
SCALE: 1:50
FILE NO: 648,07-AI-05939
DRAWING NO: M2

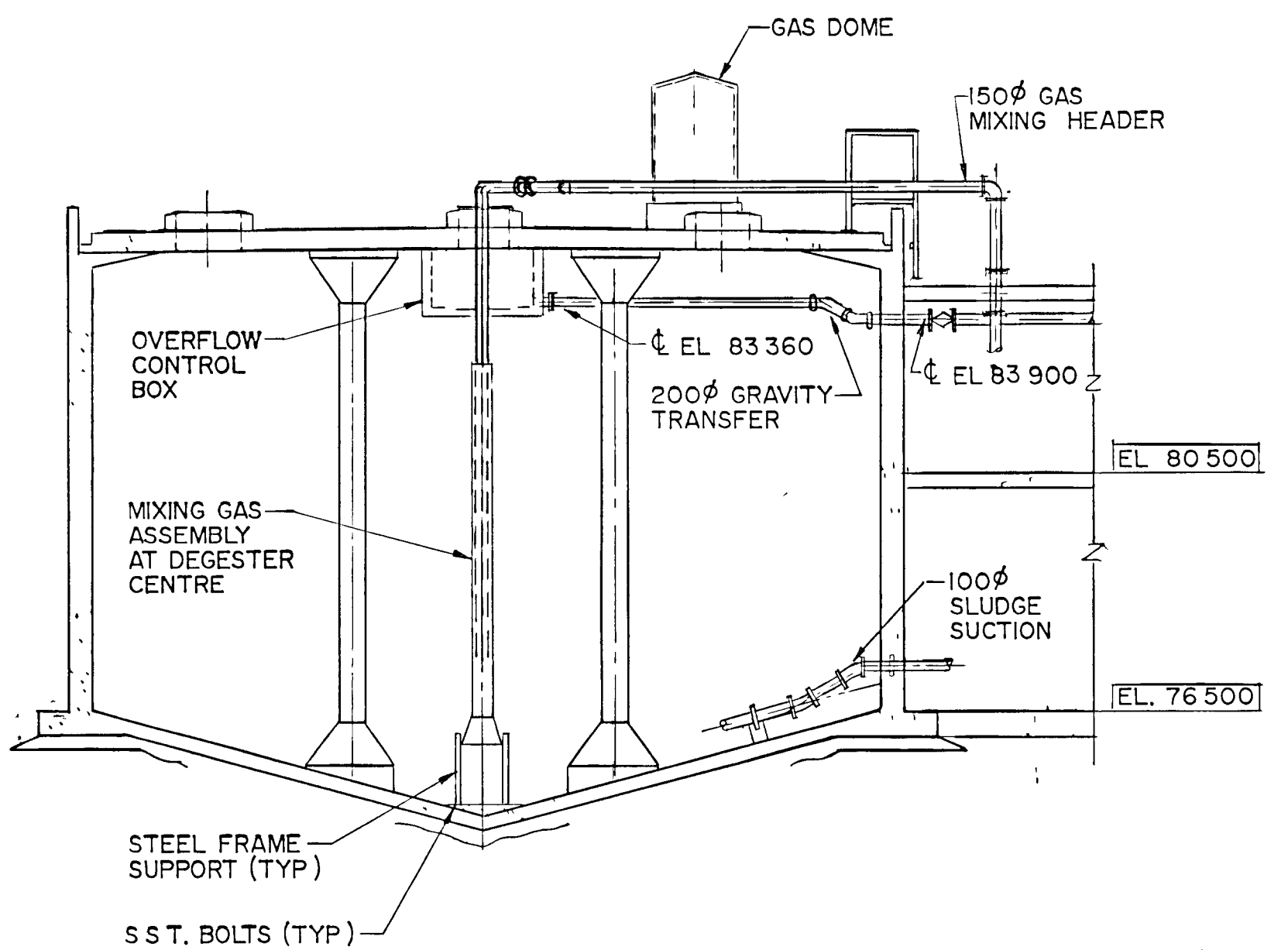
FRAME SIZE 566 x 801 mm
DRAWING SIZE A1 (595 x 841 mm)

SUPERSEDES ALL DRAWINGS BEARING PREVIOUS REVISION NUMBERS

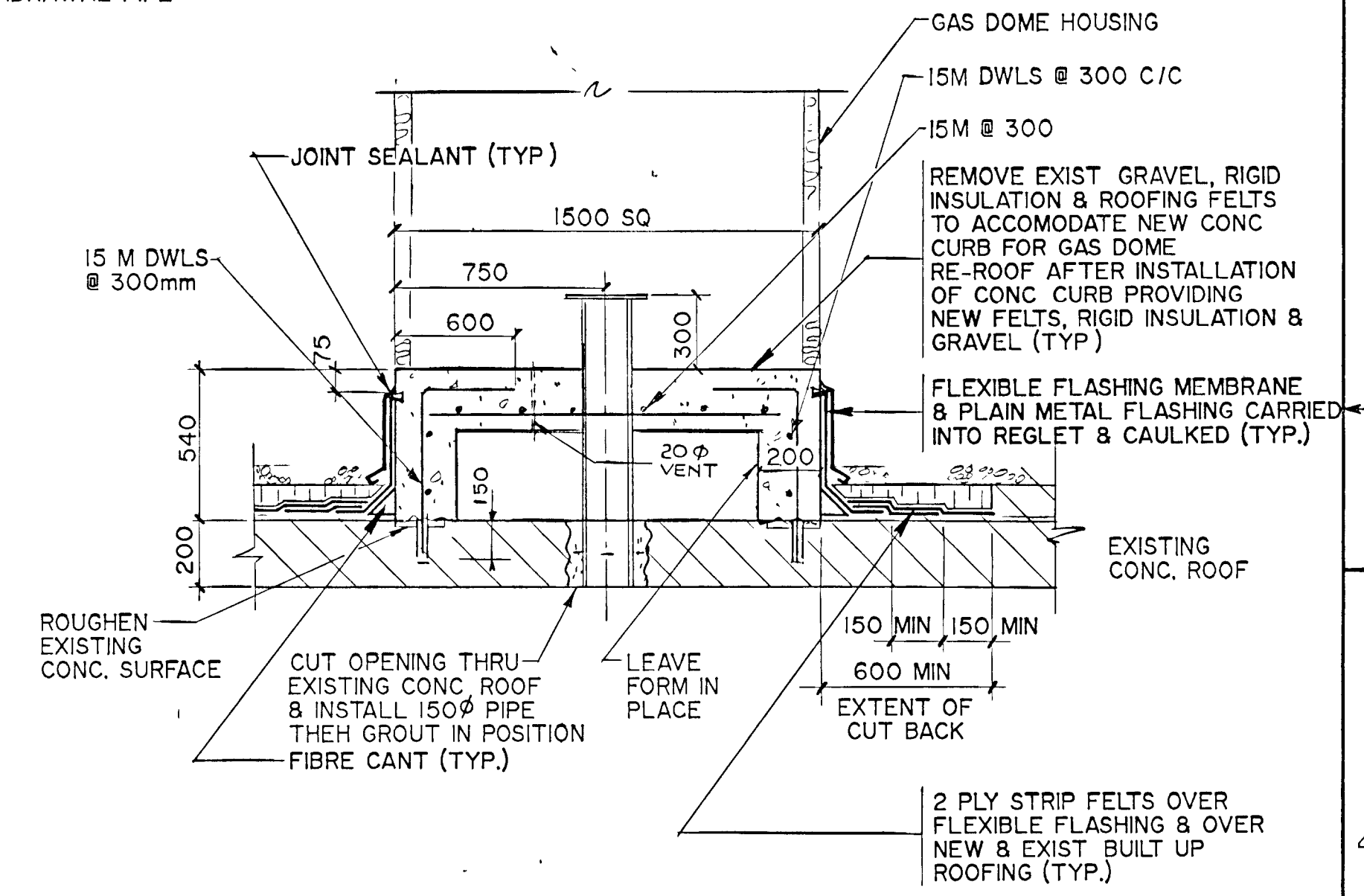
THIS DRAWING MICROFILMED



PLAN



SECTION 1



SECTION 2

LEGEND

- EXISTING PIPING, EQUIPMENT AND STRUCTURE
- EXISTING PIPING, EQUIPMENT AND STRUCTURE TO BE REMOVED
- NEW PIPING, EQUIPMENT AND STRUCTURE
- P.V - PLUG VALVE
- G.V - GATE VALVE
- CH.V - CHECK VALVE
- FFD - FUNNEL FLOOR DRAIN
- F.D - FLOOR DRAIN
- U.H - UNIT HEATER



WPCP 109

Copyright © 1988 Gore & Storrie Limited

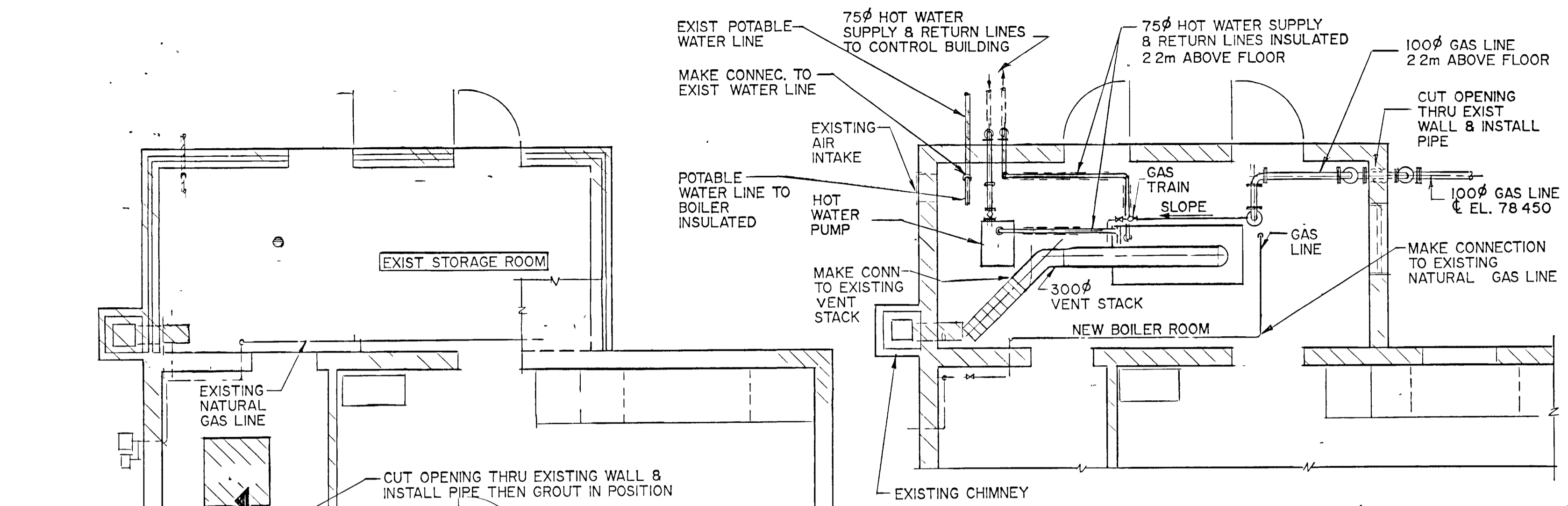
NOTES AS CONSTRUCTED RECORD DRAWING DATE: OCTOBER 1990 SIGNED: <i>[Signature]</i>	CHECKED DESIGNER: <i>[Signature]</i> DEPARTMENT HEAD: <i>[Signature]</i> PROJECT MANAGER: <i>[Signature]</i>		DIGESTERS-ROOF PLAN & SECTIONS GREATER NAPANEE WATER SUPPLY & POLLUTION CONTROL BOARD NAPANEE W.P.C.P. UPGRADING CONTRACT I-2 MECHANICAL	Gore & Storrie Limited	
				Consulting Engineers & Architect DATE: JUNE 1988 SCALE: 1 : 100 FILE NO: 648 07-AI-D5940 DRAWING NO: M 3	

SUPERSEDES ALL DRAWINGS BEARING PREVIOUS REVISION NUMBERS

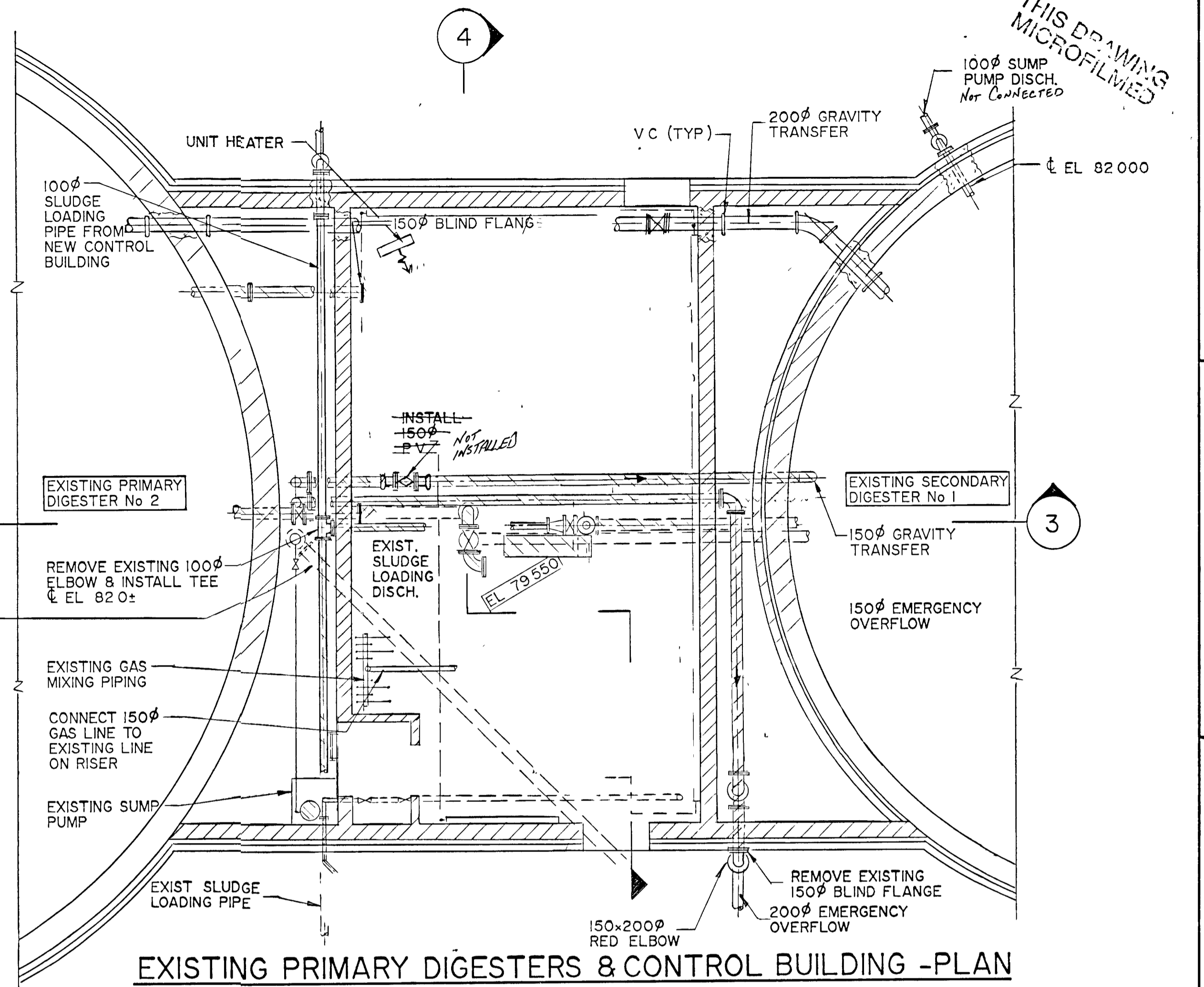
FRAME SIZE 566 x 801 mm
 DRAWING SIZE A1 (595 x 841 mm)

A B C D E F G H

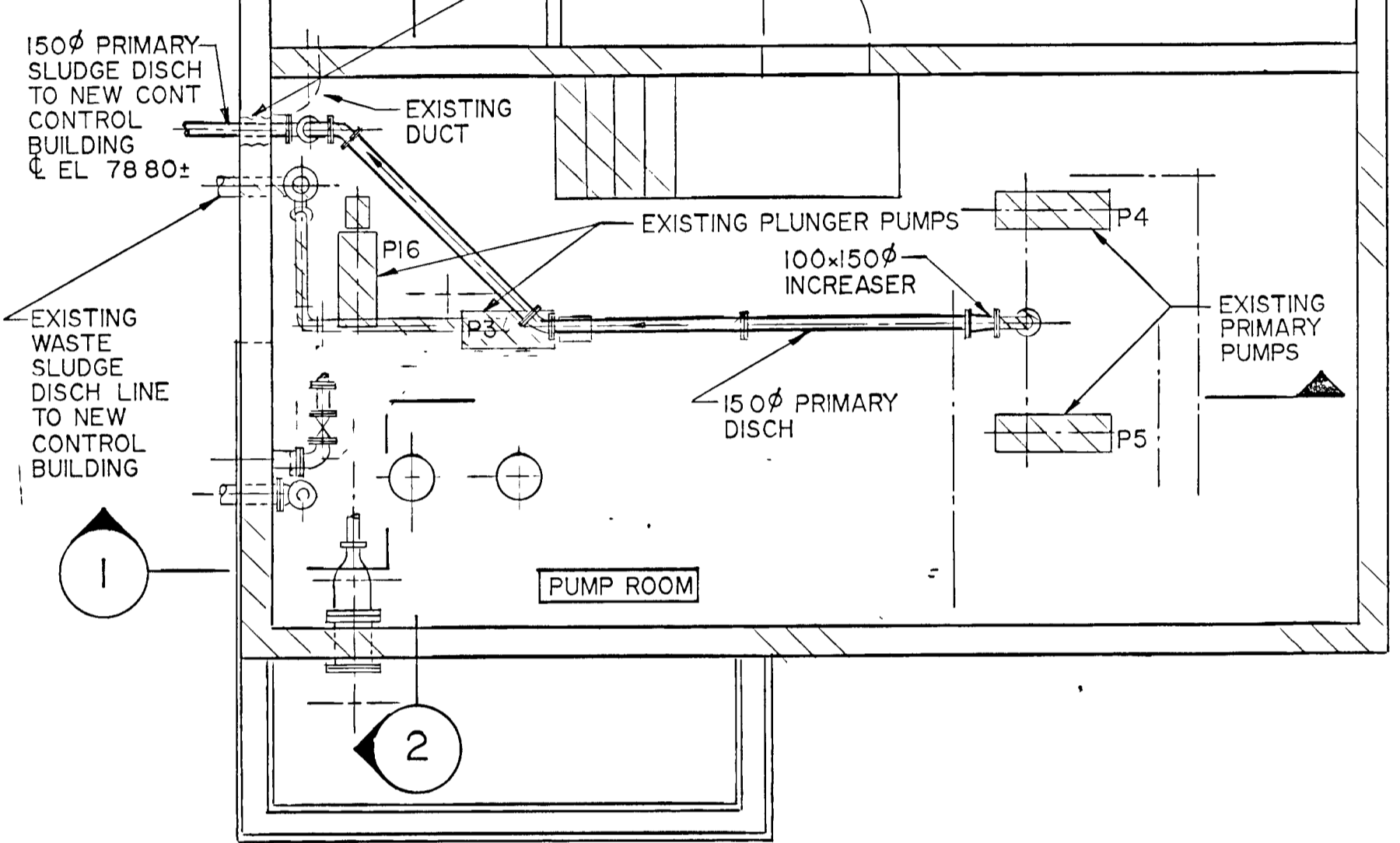
THIS DRAWING MICROFILMED



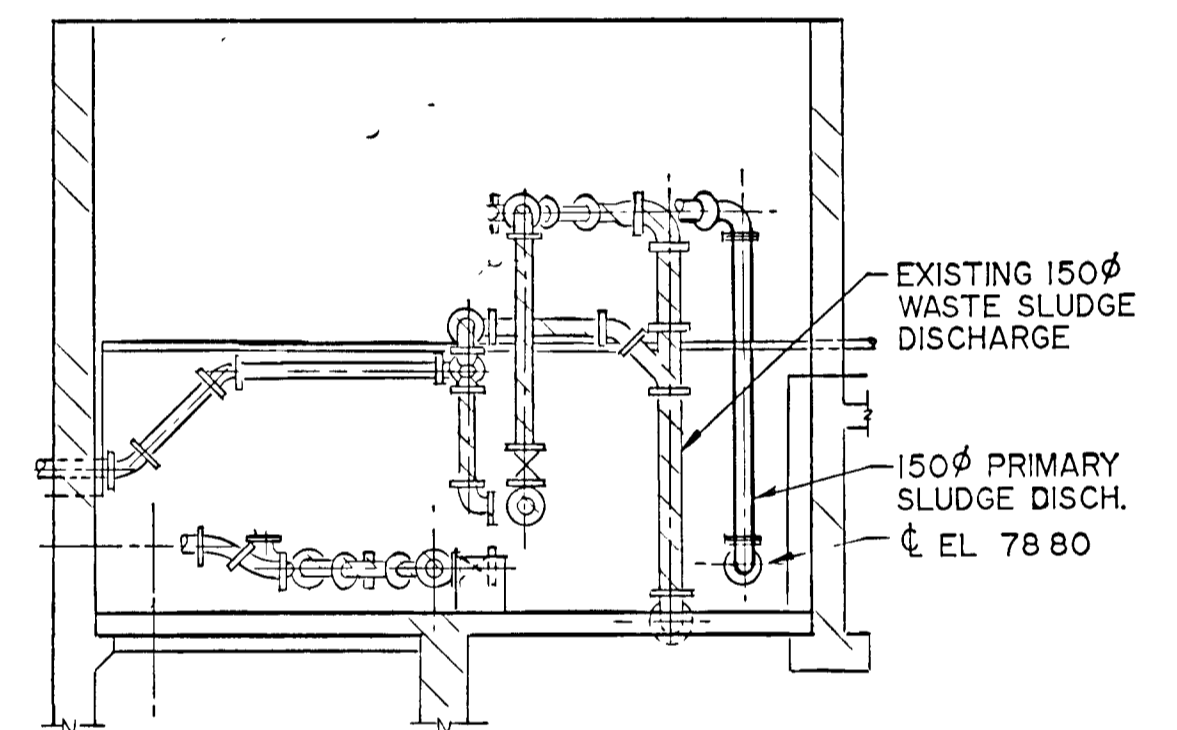
PART-PLAN MODIFICATIONS



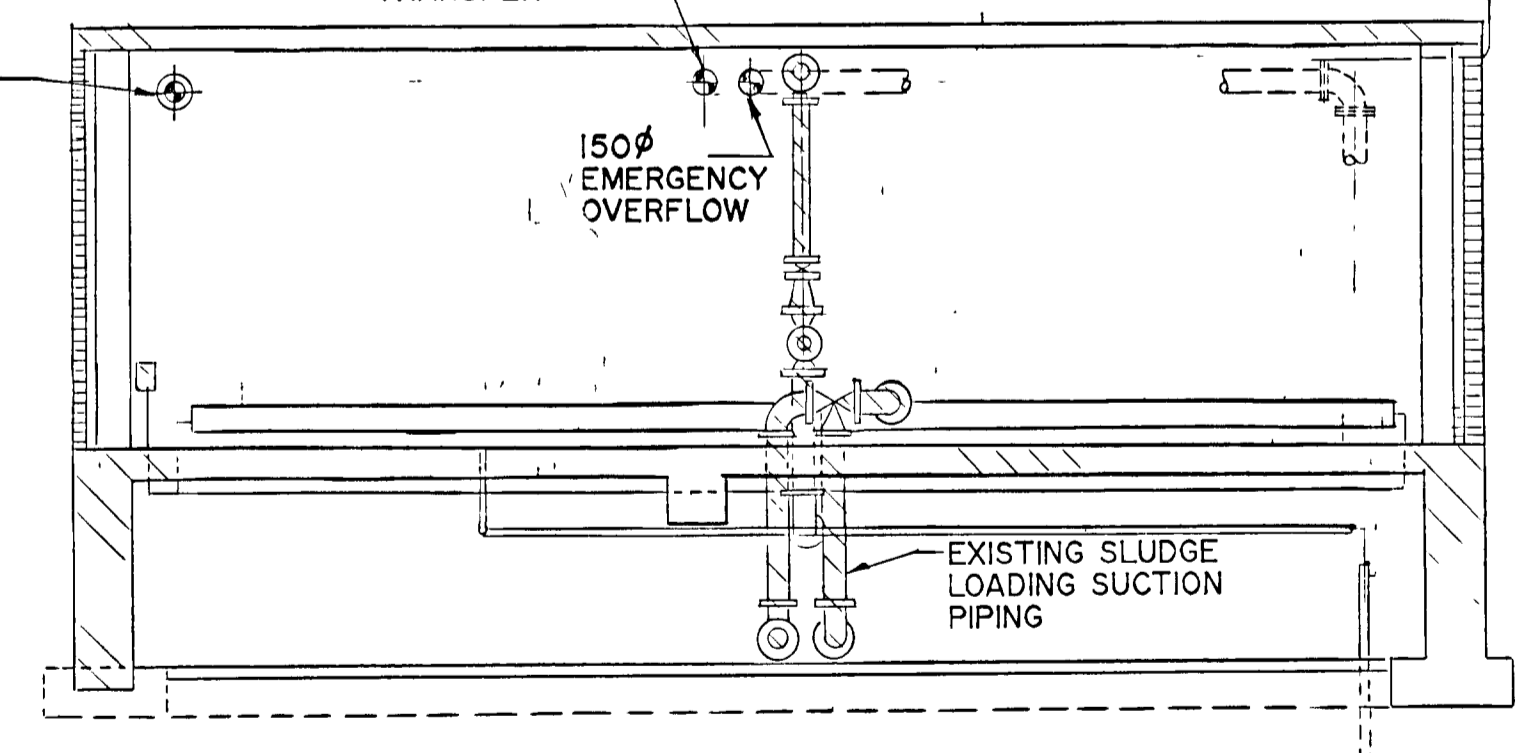
EXISTING PRIMARY DIGESTERS & CONTROL BUILDING -PLAN



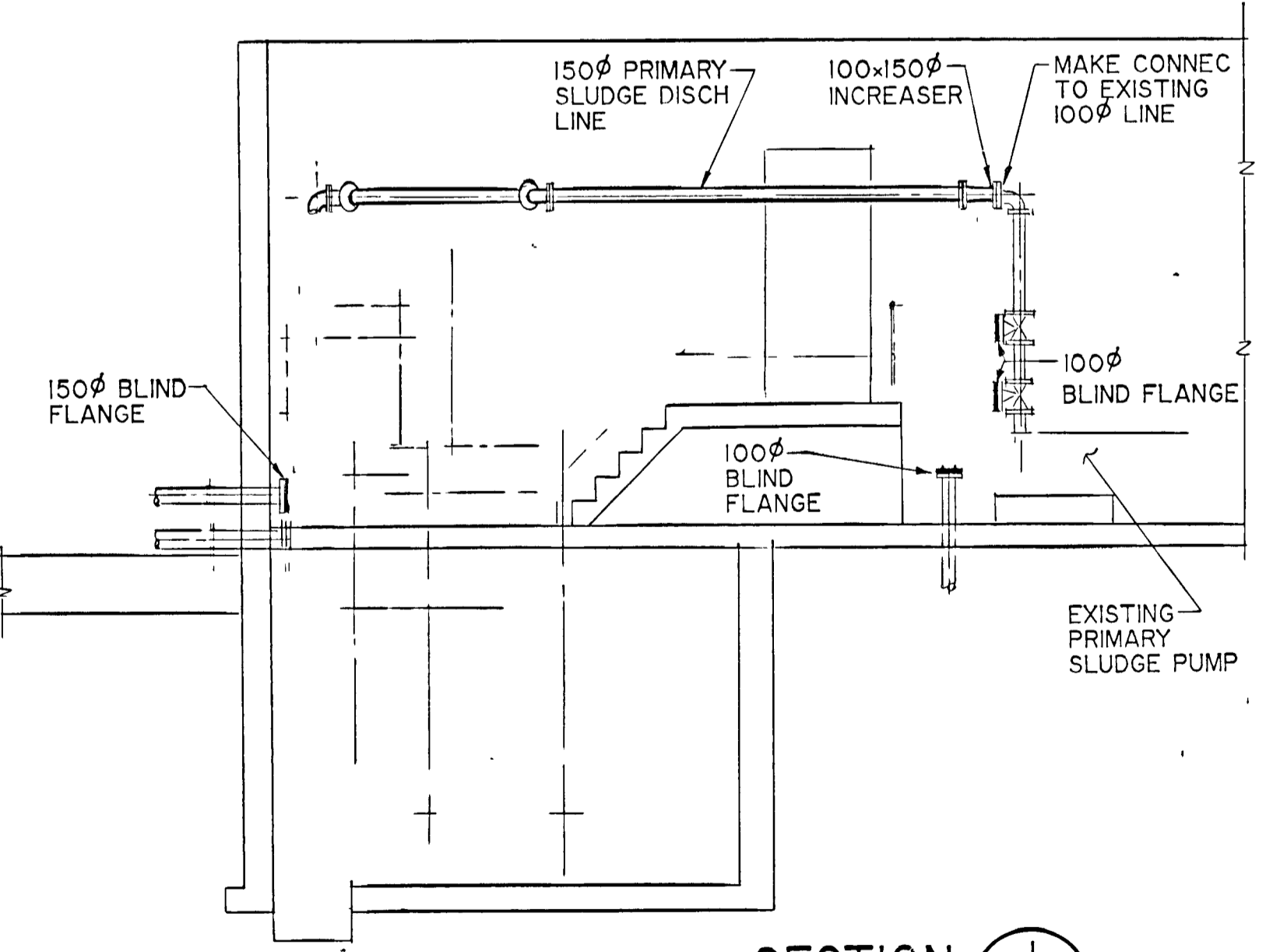
EXISTING SLUDGE PUMP BUILDING



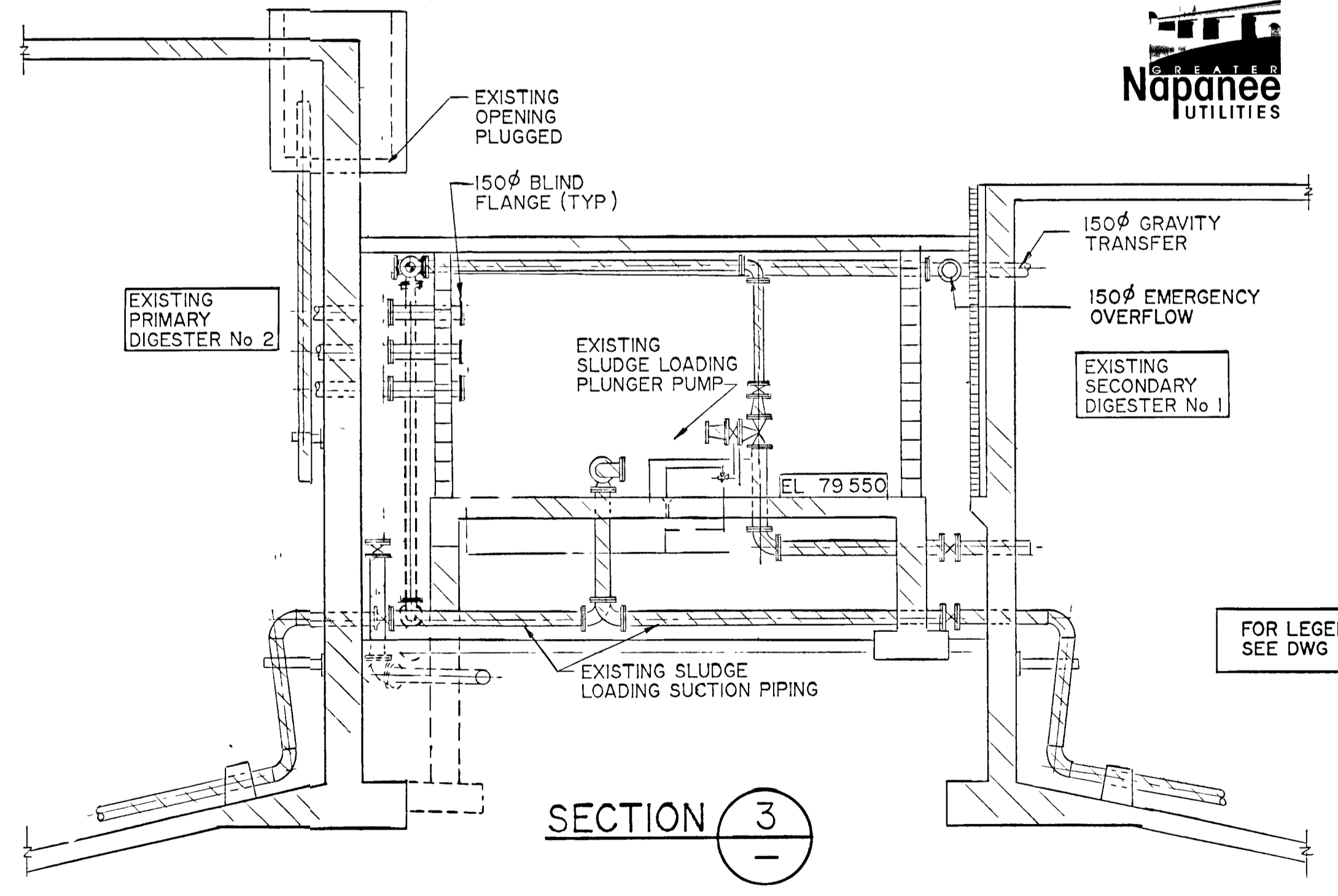
SECTION 2



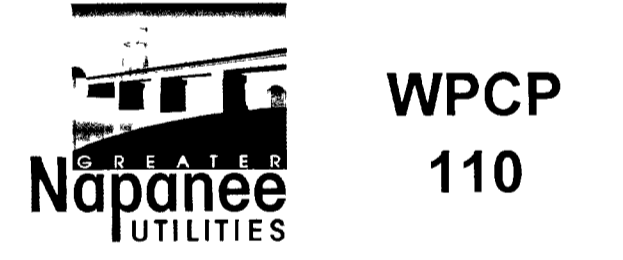
SECTION 4



SECTION 1



SECTION 3

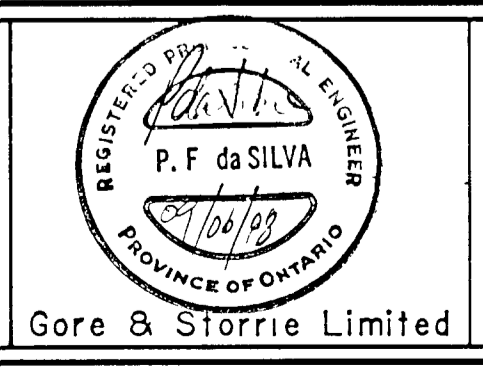


Copyright © 1988 Gore & Storrie Limited

FRAME SIZE 566 x 801 mm
DRAWING SIZE A1 (595 x 841 mm)

NOTES
1/ AS CONSTRUCTED
2/ ERRORS TO 1/5 CONSTRUCTED ADDED FEB 29/96 BY MGC
RECORD DRAWING
OCTOBER 1990
DATE
SIGNED

CHECKED
DESIGNER
PROJECT MANAGER
DIVISION HEAD



EXISTING SLUDGE PUMPS, DIGESTERS & CONTROL BUILDINGS REMOVAL & MODIFICATION PLANS & SECTIONS

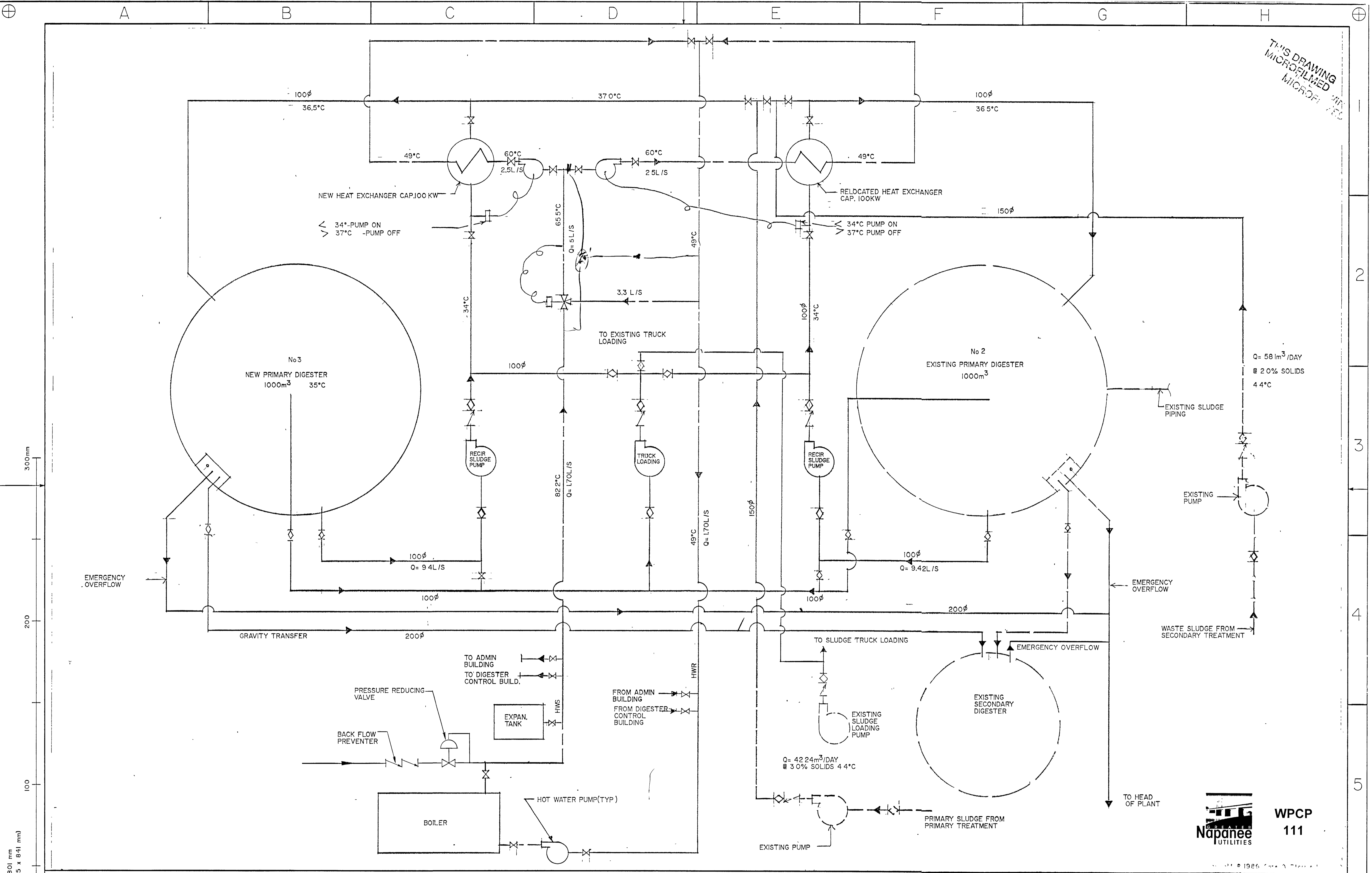
GREATER NAPANEE WATER SUPPLY & POLLUTION CONTROL BOARD

NAPANEE W.P.C.P. UPGRADING CONTRACT I-2 MECHANICAL

Gore & Storrie Limited
Consulting Engineers & Architects
DATE JUNE 1988
SCALE 1:50
FILE N \circ 648.07-AI-05941
DRAWING N \circ M4

SUPERSEDES ALL DRAWINGS BEARING PREVIOUS REVISION NUMBERS

THIS DRAWING
MICROFILMED
MICROFILMED

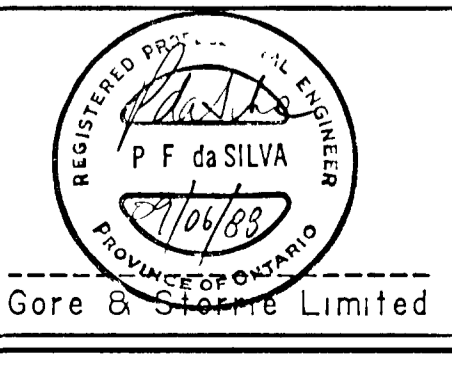


FRAME SIZE 566 x 801 mm
DRAWING SIZE A1 (595 x 841 mm)

NOTES
AS CONSTRUCTED

RECORD DRAWING
DATE: OCTOBER 1990
SIGNED: [Signature]

CHECKED
DESIGNER
DEPARTMENT HEAD
PROJECT MANAGER



SLUDGE SYSTEM SCHEMATIC

Gore & Storrie Limited

GREATER NAPANEE WATER SUPPLY & POLLUTION CONTROL BOARD

NAPANEE W.P.C.P. UPGRADING
CONTRACT I-2 MECHANICAL

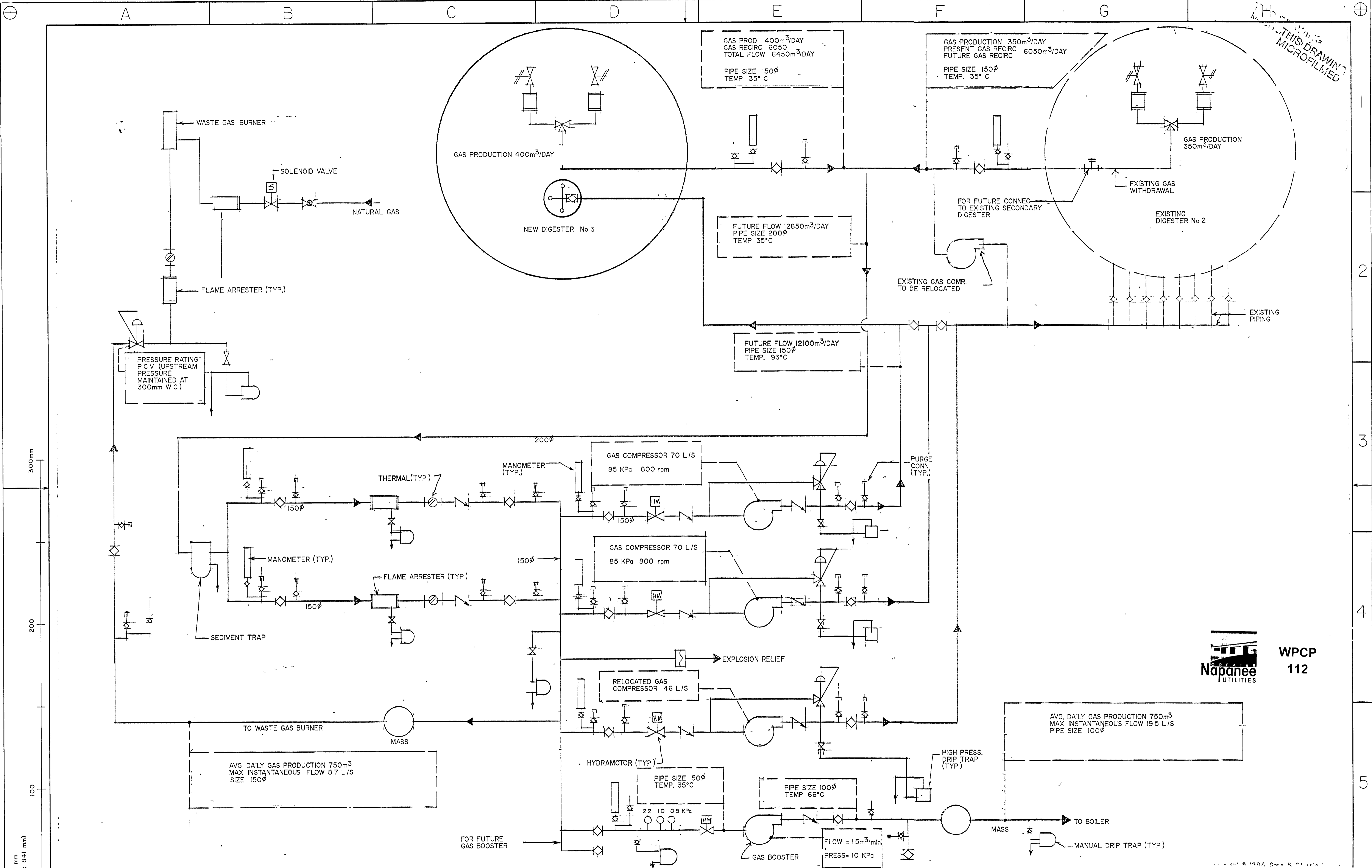
Gore & Storrie Limited G&S
Consulting Engineers & Architect

DATE: JUNE 1988
SCALE: N.T.S.

FILE # 648 07-AI-05942
DRAWING # M5



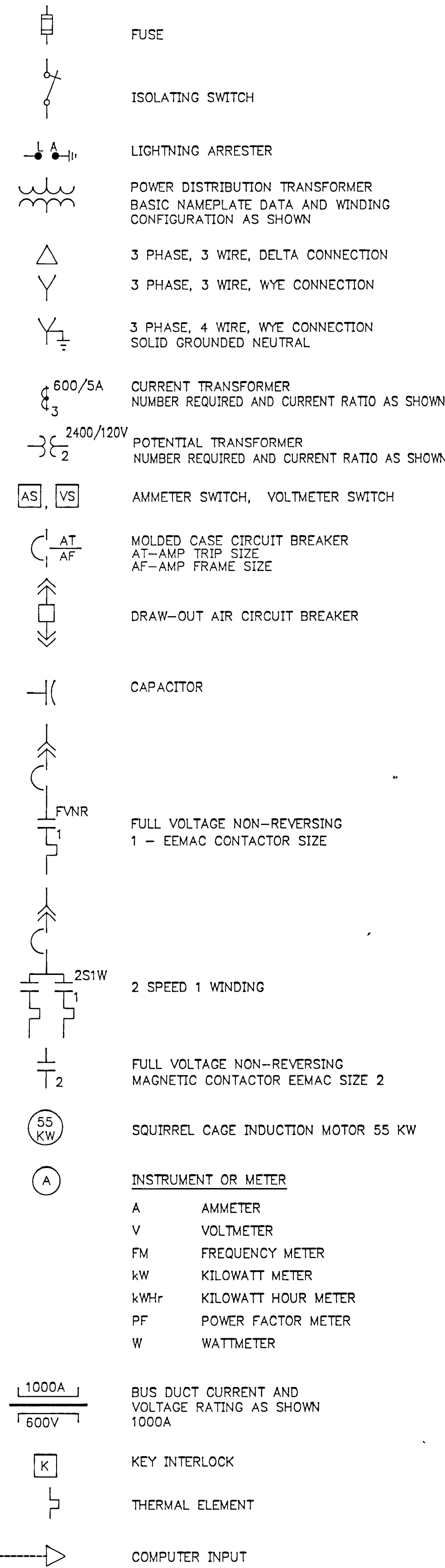
THIS DRAWING IS MICROFILMED



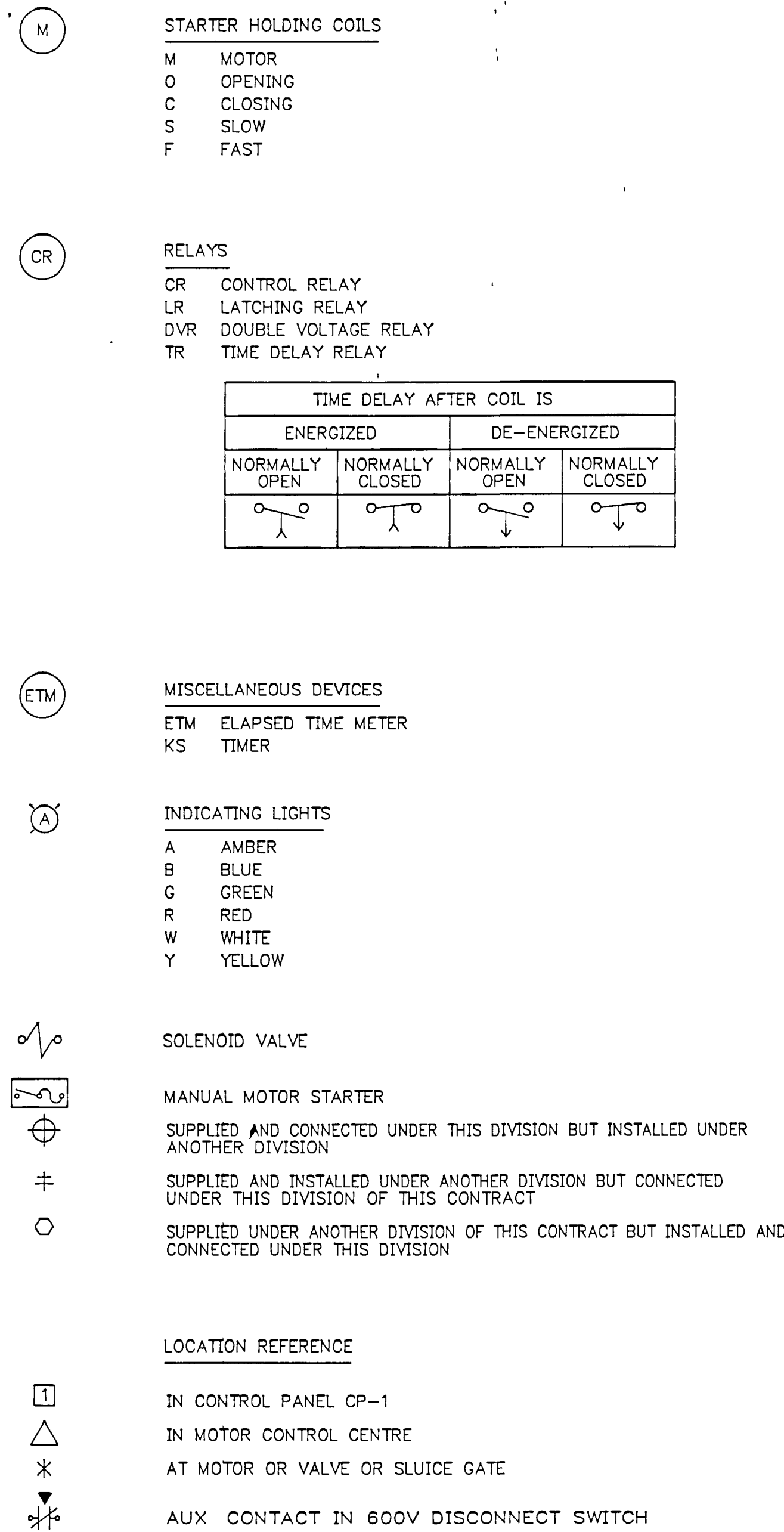
NOTES AS CONSTRUCTED RECORD DRAWING DATE OCTOBER, 1990 SIGNED <i>[Signature]</i>	CHECKED DESIGNER DEPARTMENT HEAD PROJECT MANAGER		GAS SYSTEM SCHEMATIC.	GREATER NAPANEE WATER SUPPLY & POLLUTION CONTROL BOARD		Gore & Storrie Limited	
				NAPANEE W.P.C.P. UPGRADING CONTRACT I-2 MECHANICAL		Consulting Engineers & Architect DATE JUNE FILE No 648.07-AI-05943 SCALE N.T.S. DRAWING No M6	

SUPERSEDES ALL DRAWINGS BEARING PREVIOUS REVISION NUMBERS

ELECTRICAL SYMBOLS FOR SINGLE LINE DIAGRAM

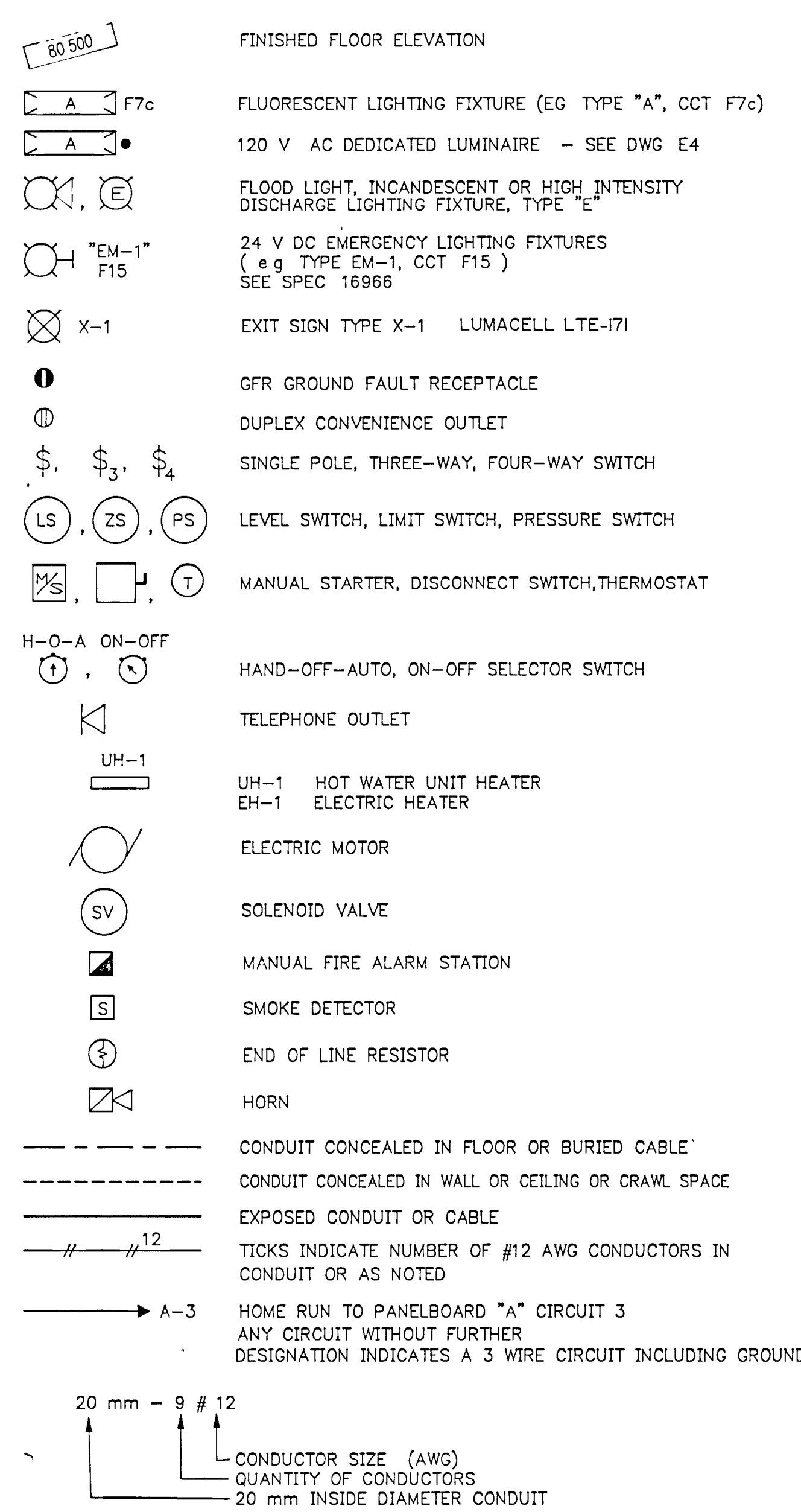


CONTROL SCHEMATICS SYMBOLS

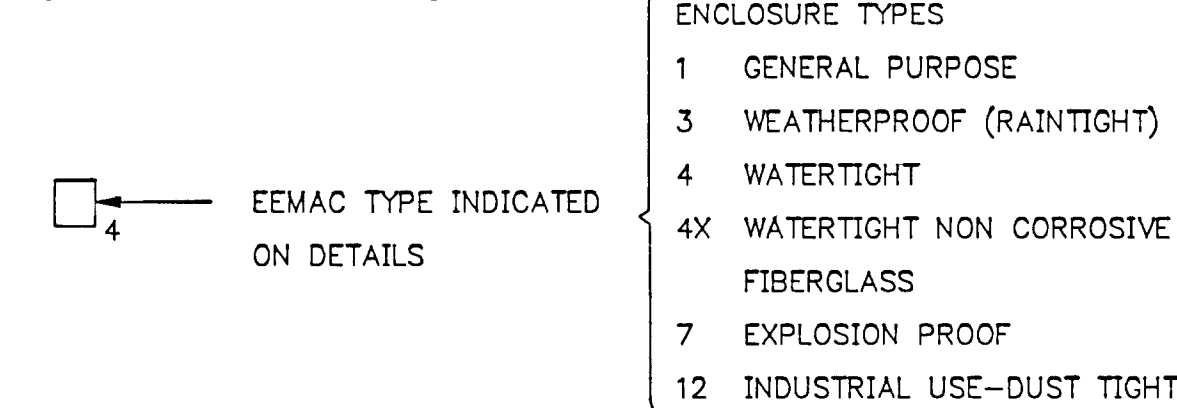


TIME DELAY AFTER COIL IS			
ENERGIZED		DE-ENERGIZED	
NORMALLY OPEN	NORMALLY CLOSED	NORMALLY OPEN	NORMALLY CLOSED

SYMBOLS FOR LAYOUT DRAWINGS AND DETAILS



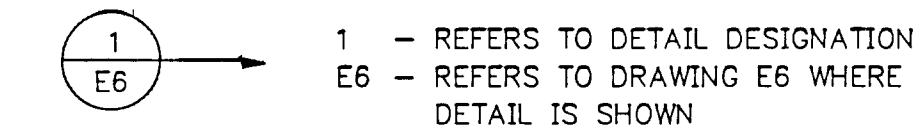
DEVICE ENCLOSURE



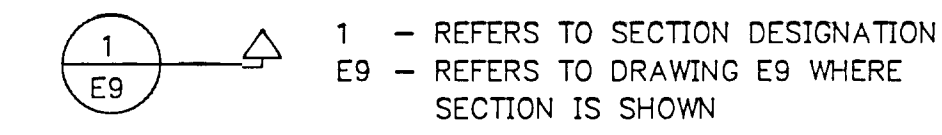
ELECTRICAL CONDUIT SIZE DESIGNATION

1/2" = 15mm	3/4" = 20mm
1" = 25mm	1-1/4" = 30mm
2" = 50mm	1-1/2" = 40mm
2-1/2" = 65mm	

DETAIL REFERENCE MARK



SECTION REFERENCE MARK



CROSS REFERENCE

E5/DET 2 = DETAIL 2
 E5/GRID B3 = REFERS TO GRID
 E5/3 TO 7 = LINES 3 TO 7
 E5/NOTE 3
 E5 = REFERS TO DWG E5

TERMINAL BLOCKS (TB)

- IN MOTOR CONTROL CENTRE
- IN LOCAL PANEL OR JUNCTION BOX (JB)
- IN PLC
- IN CONTROL PANEL CP-1

ABBREVIATIONS

- A/F ABOVE FLOOR
- CCT CIRCUIT
- CP-1 CONTROL OR INSTRUMENT PANEL NO 1
- C/S CONTROL SCHEMATIC
- C/W COMPLETE WITH
- DM DAMPER MOTOR
- GND GROUND
- HS HAND SWITCH
- HTR HEATER
- IC INTERRUPTING CAPACITY
- JB JUNCTION BOX
- LC LIGHTING CONTACTOR
- LOC LOCATION
- LP LOCAL PANEL (SEE SCHEDULE DWG E6 /DET 7)
- MCC MOTOR CONTROL CENTRE
- MTD MOUNTED
- MTR MOTOR
- MVA MILLION VOLT-AMPS
- NP NAMEPLATE
- OL OVERLOAD
- PB-F PANELBOARD F
- TR - CABLE TROUGH
- SV SOLENOID VALVE
- U/S UNDERSIDE
- WD WIRING DETAIL
- X'FMR TRANSFORMER
- P&ID PROCESS & INSTRUMENTATION DIAGRAM
- VFD VARIABLE FREQUENCY DRIVE
- WW-1 LAY IN DUCT
- 1 100mm X 100mm DEDICATED TO CONTROL CONDUCTORS
- 2 50mm X 50mm DEDICATED TO SHIELDED CONDUCTORS
- MCT MULTI CABLE TRANSIT SPEC 16302, 3 1 2
- ES ELECTRIC SUPPLY, 120V FROM PB-F

ALL DIMENSIONS ARE IN MILLIMETRES
 ALL ELEVATIONS ARE IN METRES

GRAPHIC SYMBOLS FOR ELECTRICAL DIAGRAMS ARE TO JIC STANDARDS
 DEVICE DESIGNATION IS AS PER INSTRUMENT SOCIETY OF AMERICA (ISA)



Copyright © 1988 Gore & Storrie Limited

NOTES
 RECORD DRAWING
 DATE: DECEMBER 1988
 SIGNED: [Signature]

CHECKED: [Signature]
 DESIGNER: J.R. LAUFERS
 PROJECT MANAGER: [Signature]
 DIVISION HEAD: [Signature]
 REGISTERED PROFESSIONAL ENGINEER: J.R. LAUFERS
 REGISTERED PROFESSIONAL ENGINEER: P.F. da SILVA
 Gore & Storrie Limited

LEGEND

GREATER NAPANEE WATER SUPPLY & POLLUTION CONTROL BOARD
 NAPANEE W.P.C.P. UPGRADING CONTRACT 1 - 3 ELECTRICAL

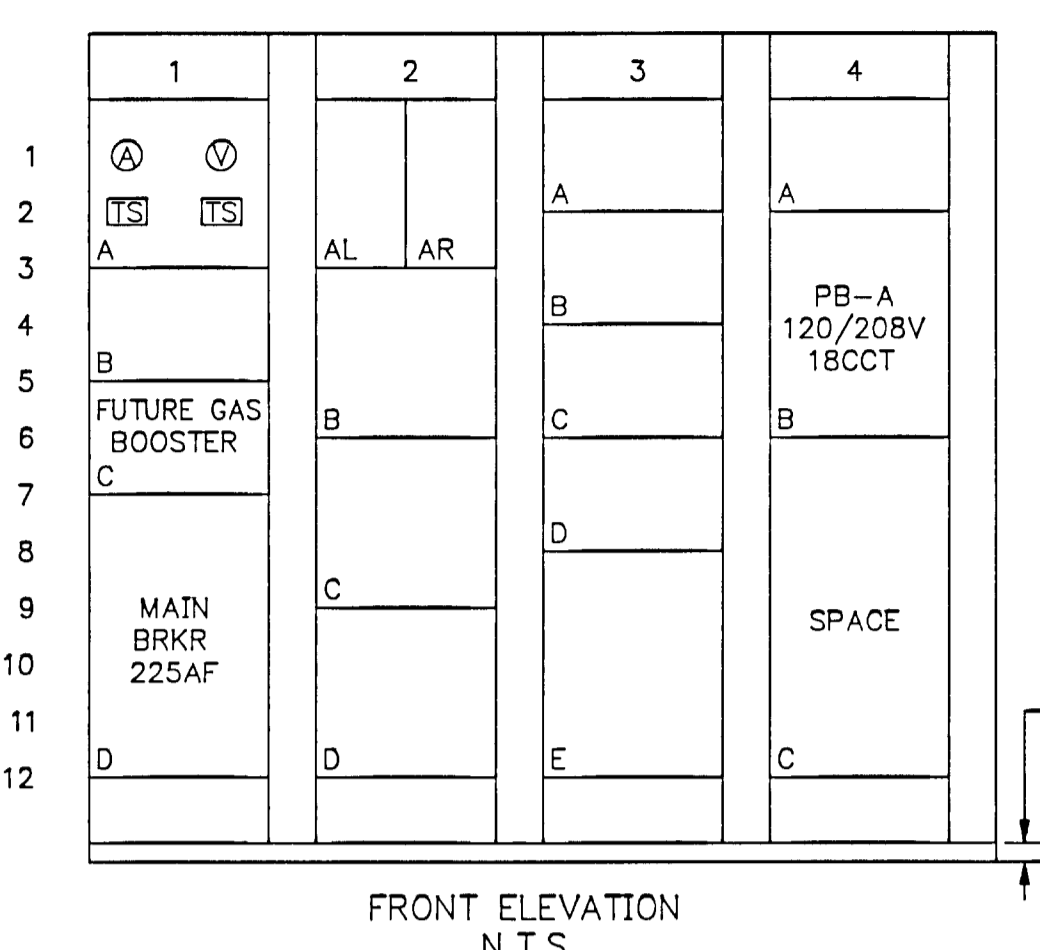
Gore & Storrie Limited
 Consulting Engineers & Architects
 DATE: MAY 1988
 SCALE: NONE
 FILE N°: 648 07-AI-05943
 DRAWING N°: E1
 SUPERSEDES ALL DRAWINGS BEARING PREVIOUS REVISION NUMBERS

FRAME SIZE 566 x 801 mm
 DRAWING SIZE A1 (595 x 841 mm)

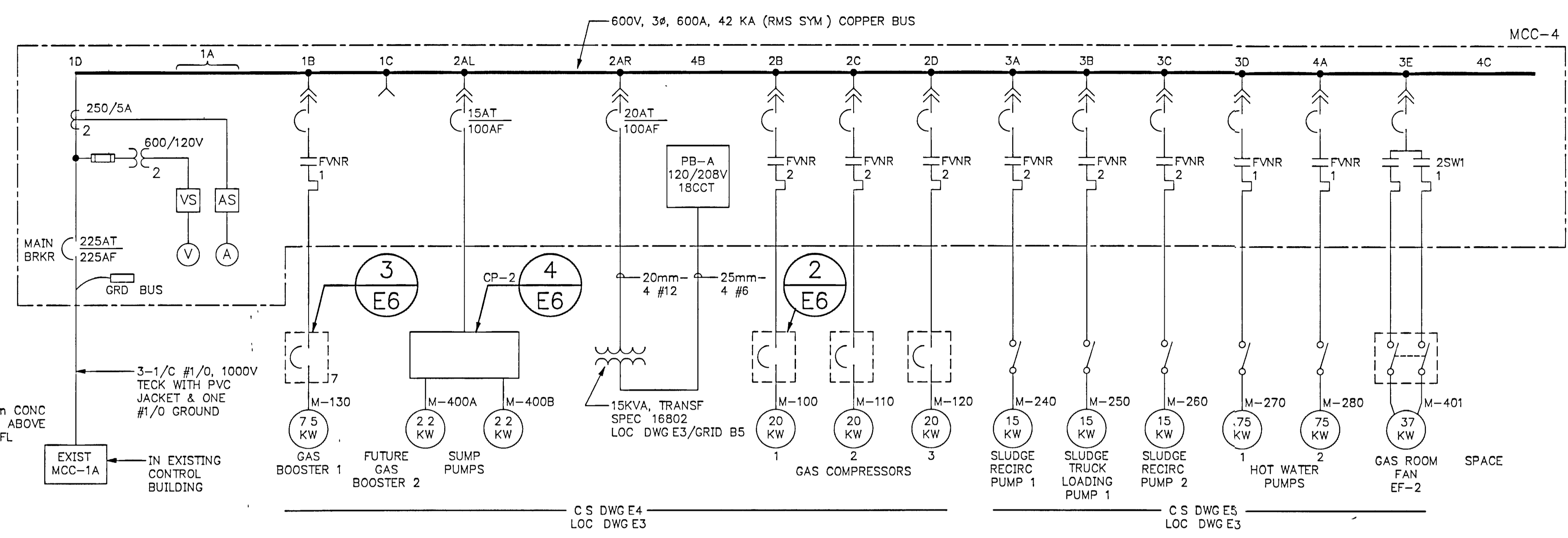
THIS DRAWING MICROFILMED

THIS DRAWING IS TO BE FILED IN THE DRAWING ROOM

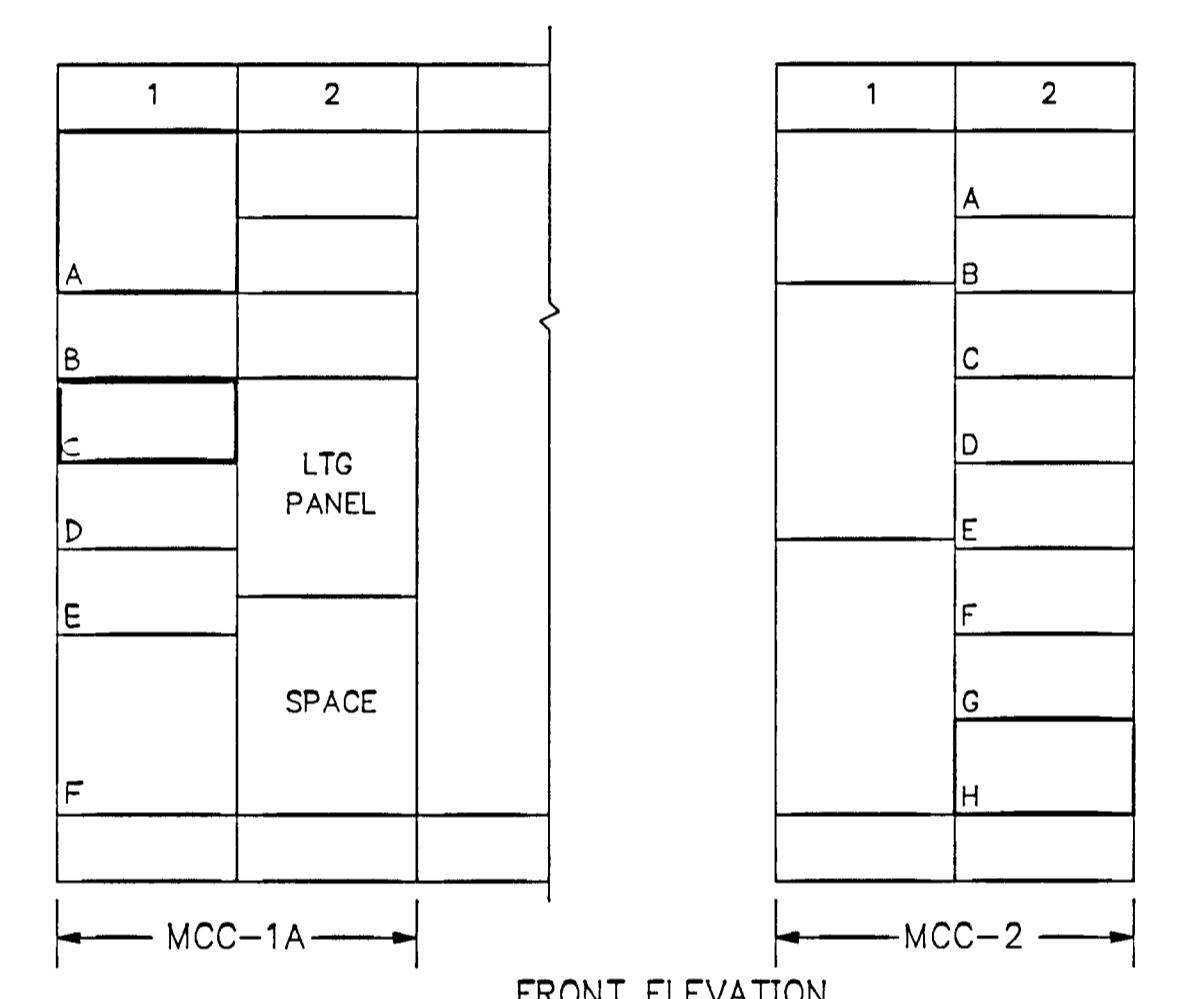
- NOTES:**
- REFER TO PANELBOARD PB-A, CCT 5D PHOTOCELL TO BE IN EEMAC 4 ENCLOSURE FLUSH MOUNTED AT CENTERLINE EL 85 200 AS SHOWN ON DWG E3/GRID H4
 - REFER TO SITE PLAN - BURIED CABLES THERE ARE EXISTING BURIED SERVICES CONSULT PLANT OPERATIONS REGARDING THE LOCATION OF THE SERVICES USE HAND DIGGING & EXTRA CAUTION TO PREVENT DAMAGE AND DISRUPTION OF THE SERVICES
 - REFER TO PB-A PROVIDE TYPED DIRECTORY FOR THE PANELBOARD
 - REFER TO MCC-4 MCC-4 WILL BE SUPPLIED BY THE OWNER PROVIDE ONLY OVERLOAD HEATER MODULES FOR ALL STARTERS, BASED ON ACTUAL FULL LOAD CURRENT OF MOTORS
 - REFER TO PB-A, CCT 5d INSTALL PHOTOCELL BY-PASS SWITCH IN MCC ROOM PROVIDE LAMICOID NAMEPLATE SCREWED TO WALL ABOVE SWITCH ENGRAVED PHOTOCELL BY-PASS SWITCH



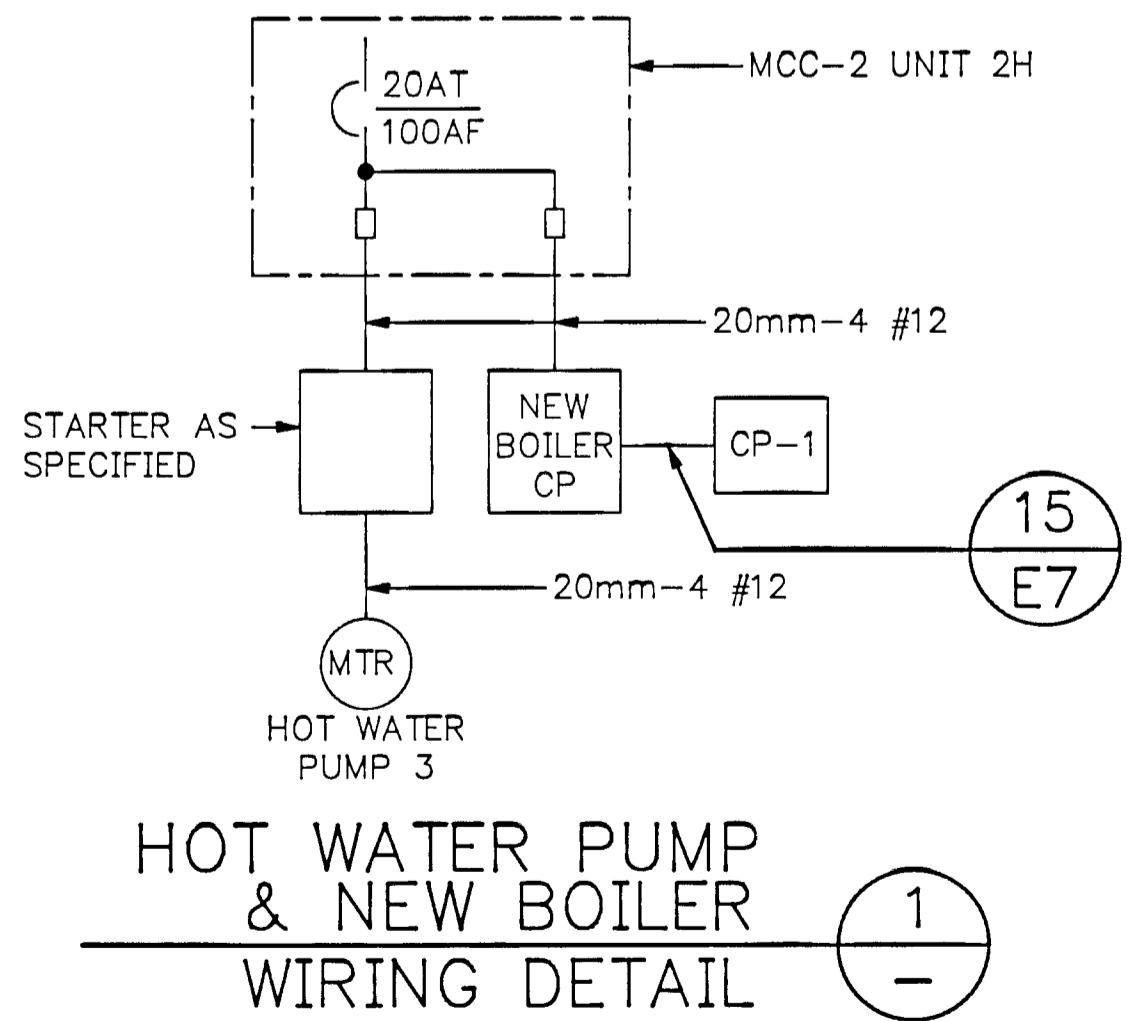
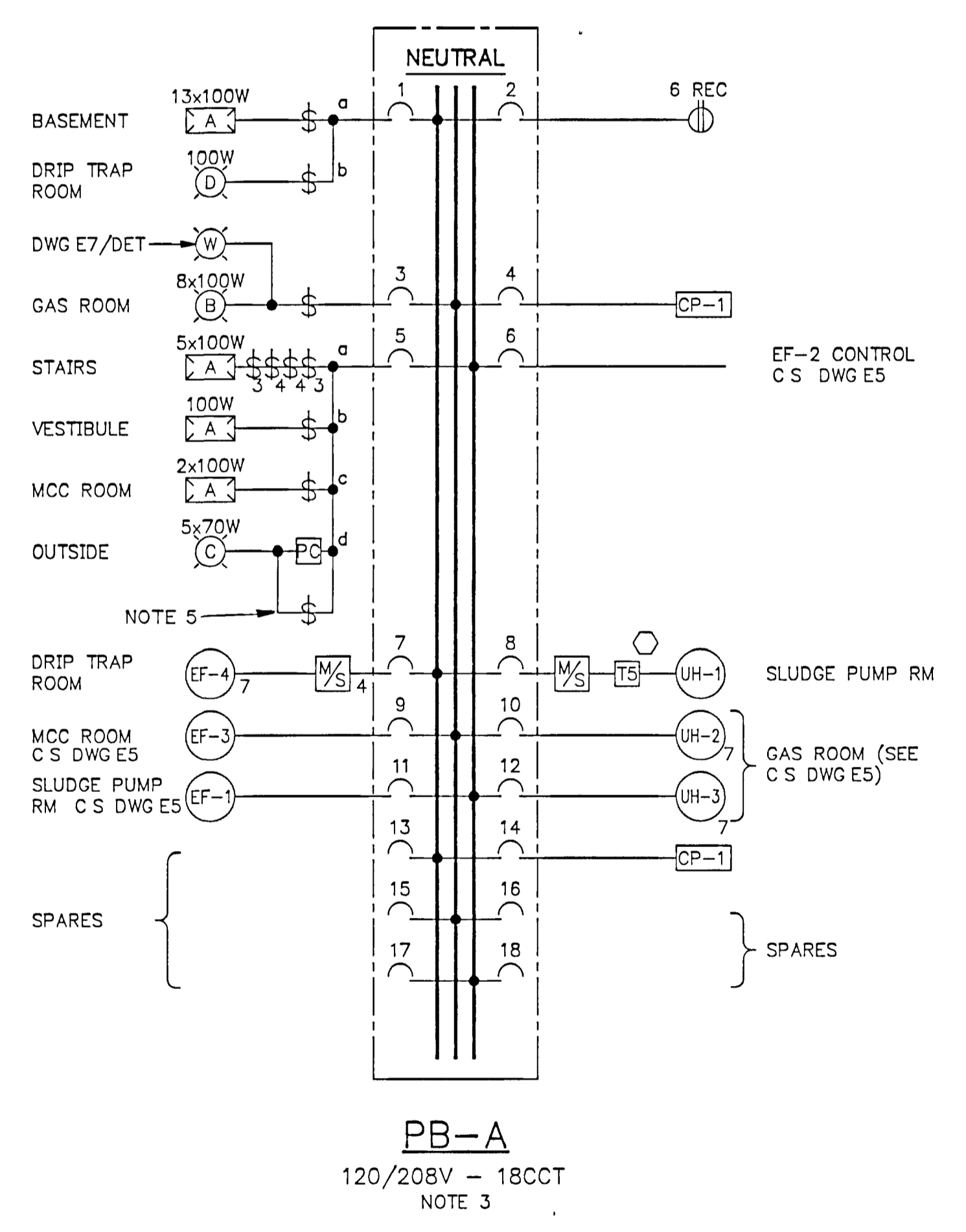
MOTOR CONTROL CENTRE MCC-4
NOTE 4



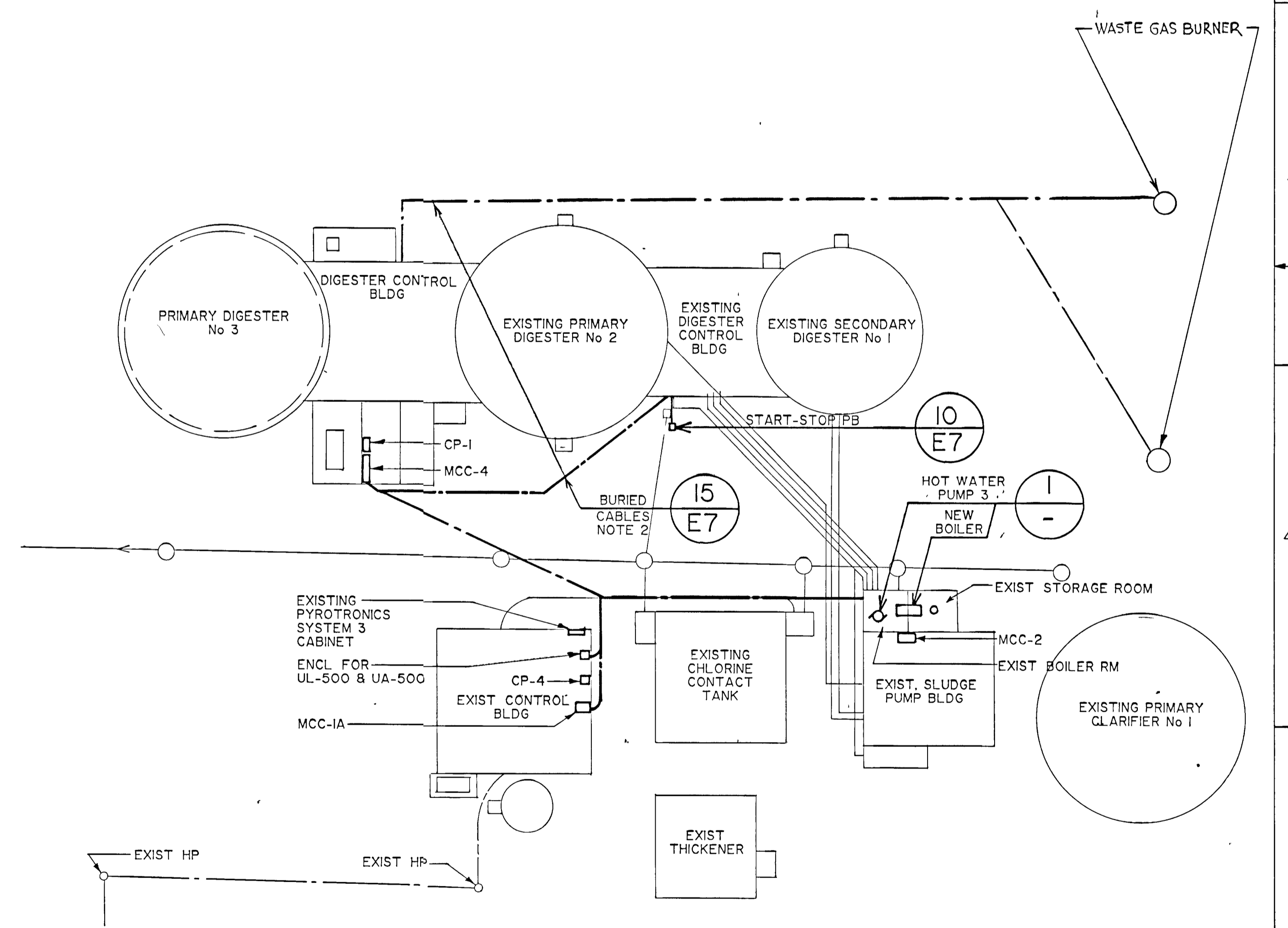
SINGLE LINE DIAGRAM



ADDITIONS & MODIFICATIONS TO EXISTING MCC'S
SEE SPEC SEC 16201



HOT WATER PUMP & NEW BOILER WIRING DETAIL



WPCP 114 SITE PLAN
SCALE 1 : 250

Copyright © Gore & Storrie Limited J64807E4 Plot-scale = 1 00000000000 05-26-88 11 56 ES

NOTES	CHECKED DESIGNER REGISTERED PROFESSIONAL ENGINEER J.R. LAUFERS 3003/03 PROVINCE OF ONTARIO	600V SINGLE LINE DIAGRAM PANELBOARD SITE PLAN	GREATER NAPANEE WATER SUPPLY & POLLUTION CONTROL BOARD NAPANEE W.P.C.P. UPGRADING CONTRACT 1 - 3 ELECTRICAL	Gore & Storrie Limited Consulting Engineers & Architects	
				RECORD DRAWING DATE: _____ SIGNED: _____ PROJECT MANAGER	DIVISION HEAD _____ PROJECT MANAGER

Copyright © 1988 Gore & Storrie Limited

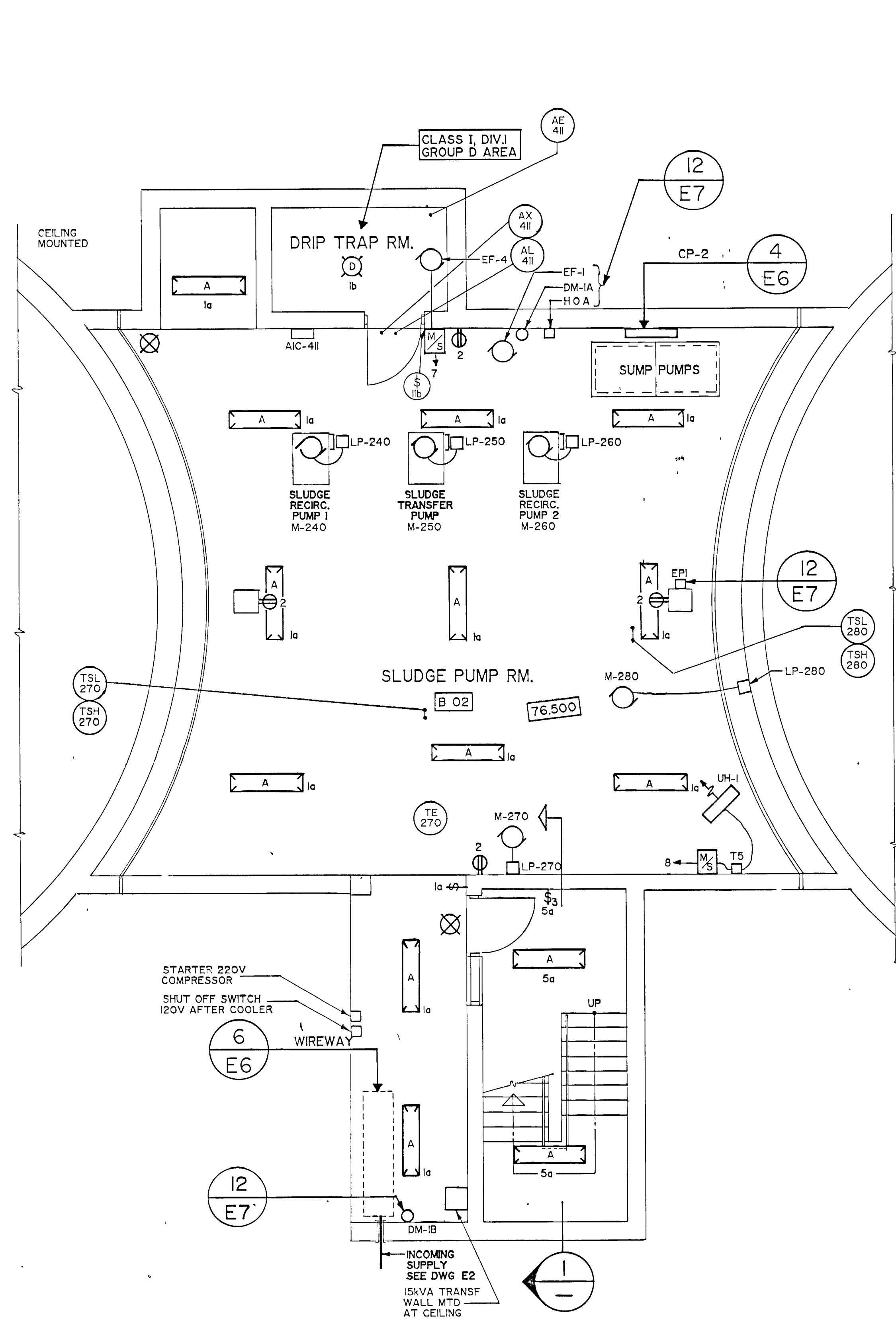
SUPSEDES ALL DRAWINGS BEARING PREVIOUS REVISION NUMBERS

THIS DRAWING
MICROFILMED

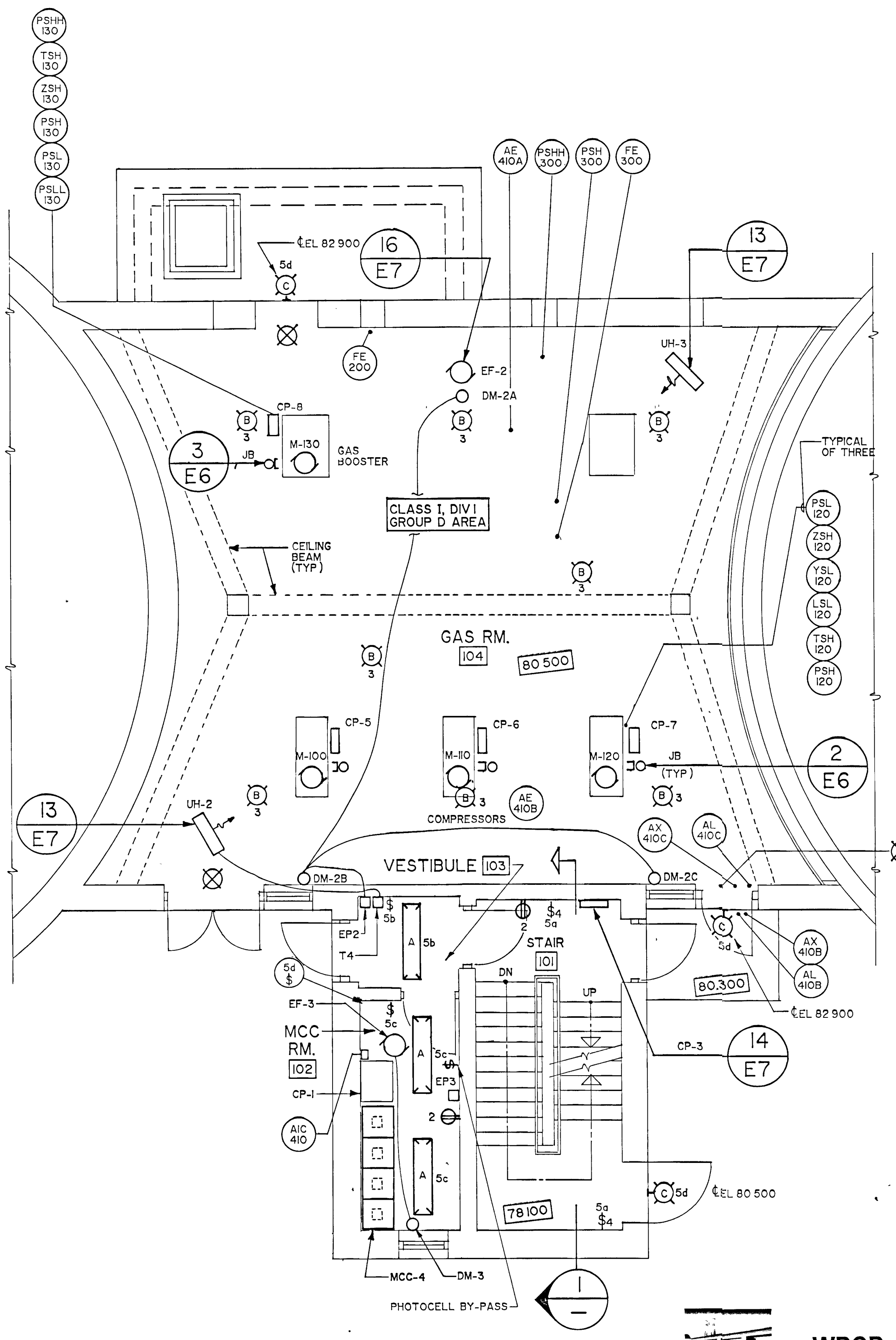
LUMINAIRES MOUNTING HEIGHT

BASEMENT U/S AT EL 2900mm A/F EXCEPT AS NOTED

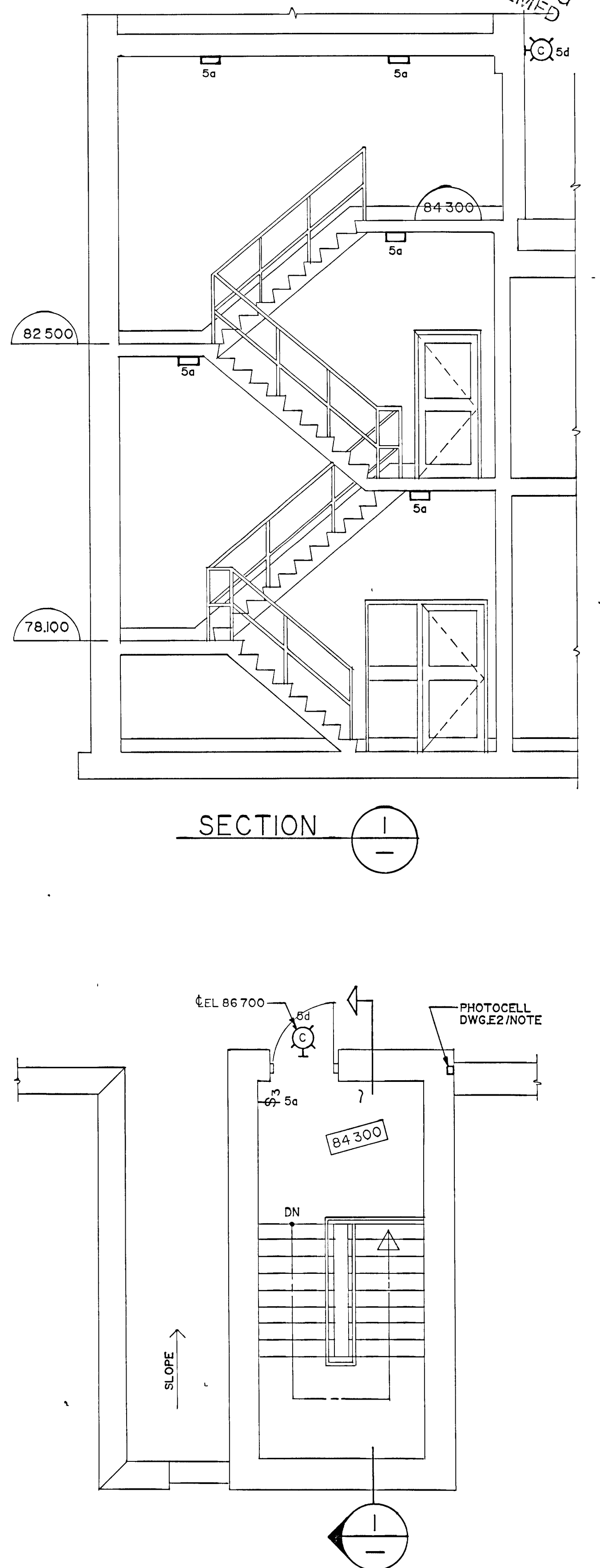
MAIN FLOOR CEILING MOUNTED



BASEMENT PLAN



MAIN FLOOR PLAN



PART ROOF & STAIR PLAN



NOTES
RECORD DRAWING
DATE: DECEMBER 1988
SIGNED: [Signature]

CHECKED - [Signature]
DESIGNER - [Signature]
PROJECT MANAGER - [Signature]
DIVISION HEAD - [Signature]
Gore & Storrie Limited

PLANS & SECTIONS
POWER AND LIGHTING

GREATER NAPANEE WATER SUPPLY &
POLLUTION CONTROL BOARD

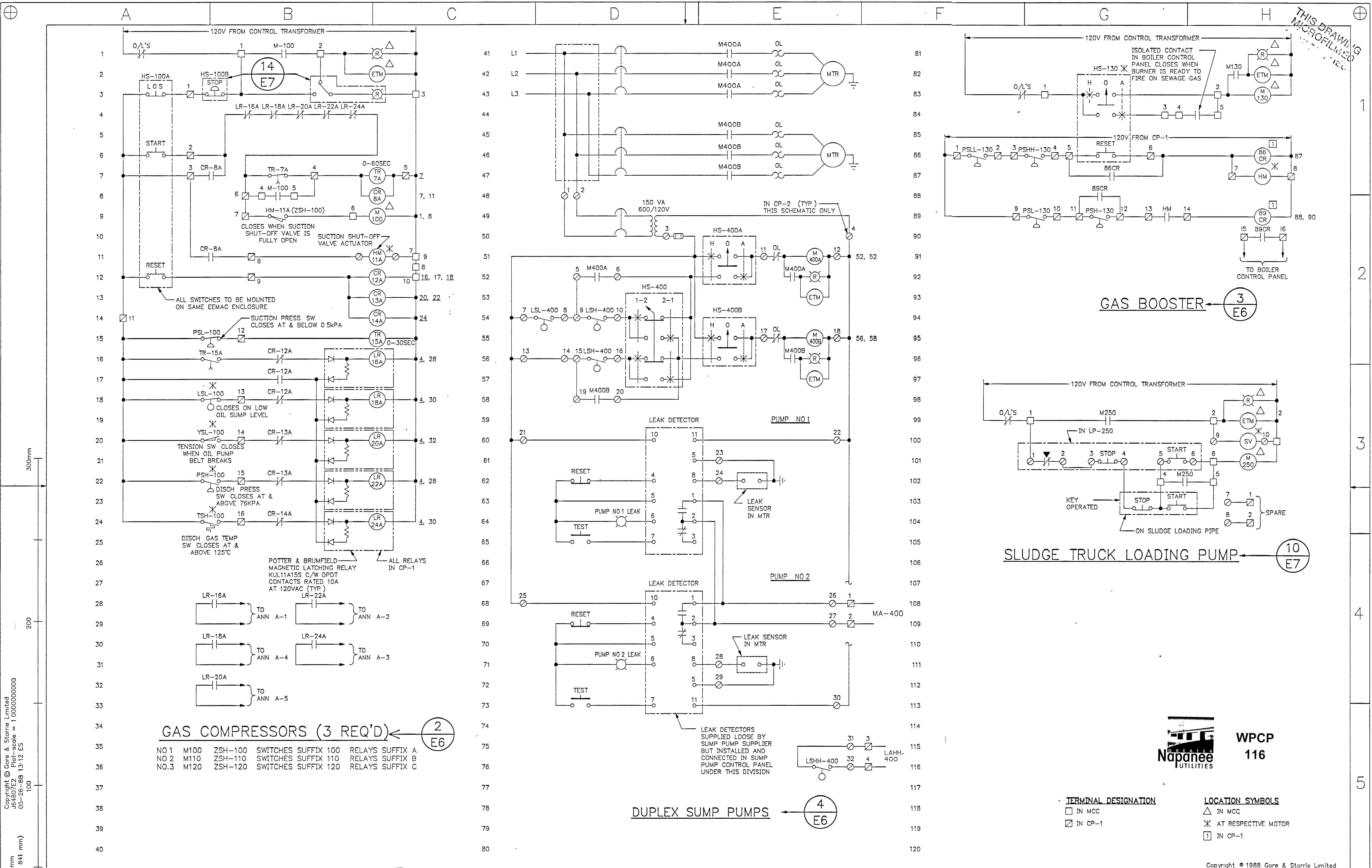
NAPANEE W.P.C.P. UPGRADING
CONTRACT 1 - 3 ELECTRICAL

Gore & Storrie Limited
Consulting Engineers & Architects
DATE: MAY 1988
SCALE: 1/50
FILE N#: 648 07-AI-05945
DRAWING N#: E3

SUPERSEDES ALL DRAWINGS BEARING PREVIOUS REVISION NUMBERS

FRAME SIZE 566 x 801 mm
DRAWING SIZE A1 (595 x 841 mm)

THIS DRAWING MICROFILMED



GAS COMPRESSORS (3 REQ'D) ← (2) E6

- NO 1 M100 ZSH-100 SWITCHES SUFFIX 100 RELAYS SUFFIX A
- NO 2 M110 ZSH-110 SWITCHES SUFFIX 110 RELAYS SUFFIX B
- NO 3 M120 ZSH-120 SWITCHES SUFFIX 120 RELAYS SUFFIX C

DUPLEX SUMP PUMPS ← (4) E6

LEAK DETECTORS SUPPLIED LOOSE BY SUMP PUMP SUPPLIER BUT INSTALLED AND CONNECTED IN SUMP PUMP CONTROL PANEL UNDER THIS DIVISION

GAS BOOSTER ← (3) E6

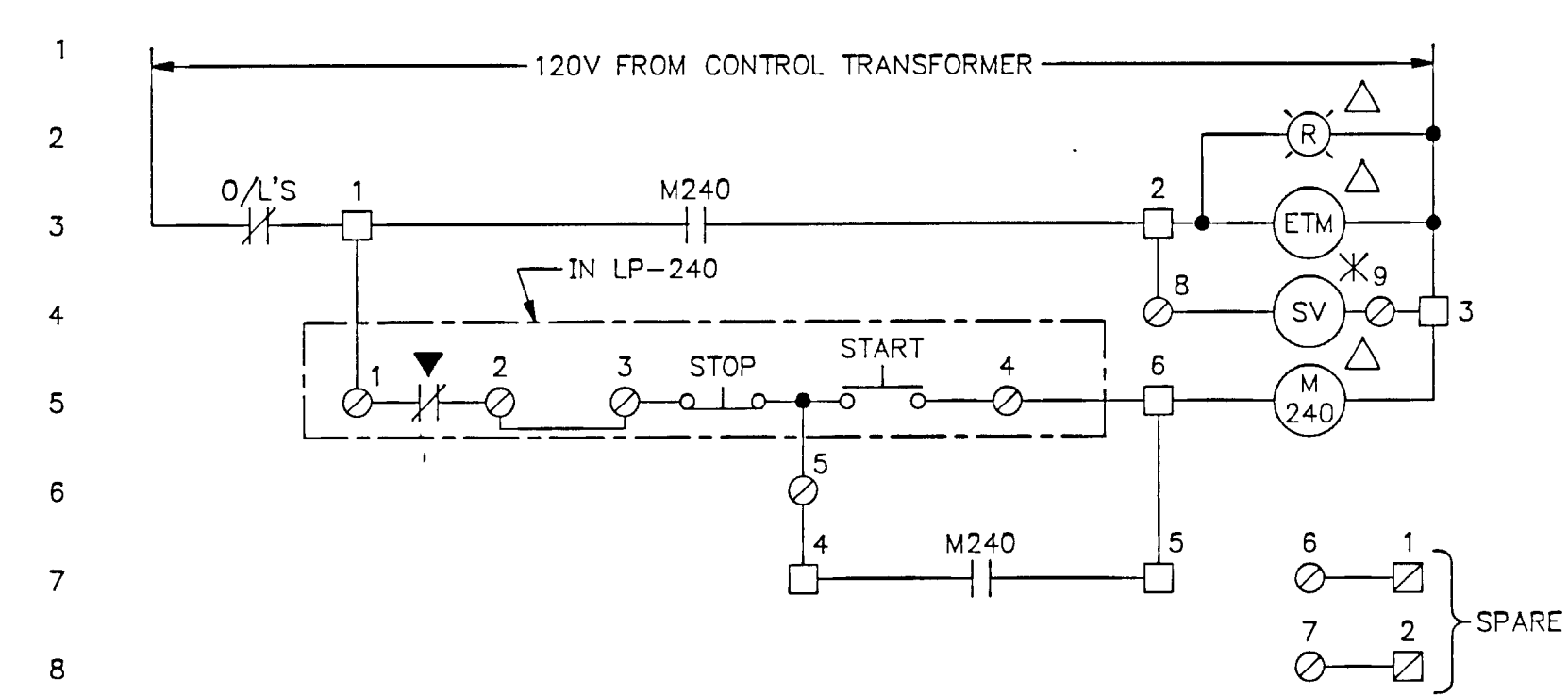
SLUDGE TRUCK LOADING PUMP ← (10) E7

- TERMINAL DESIGNATION**
- IN MCC
 - IN CP-1
- LOCATION SYMBOLS**
- △ IN MCC
 - * AT RESPECTIVE MOTOR
 - IN CP-1

Copyright © Gore & Storrie Limited
 J64807E2 Plot-scale = 1:000000000
 05-26-88 13:12 ES
 100
 FRAME SIZE 595 x 801 mm
 DRAWING SIZE 41 (595 x 841 mm)

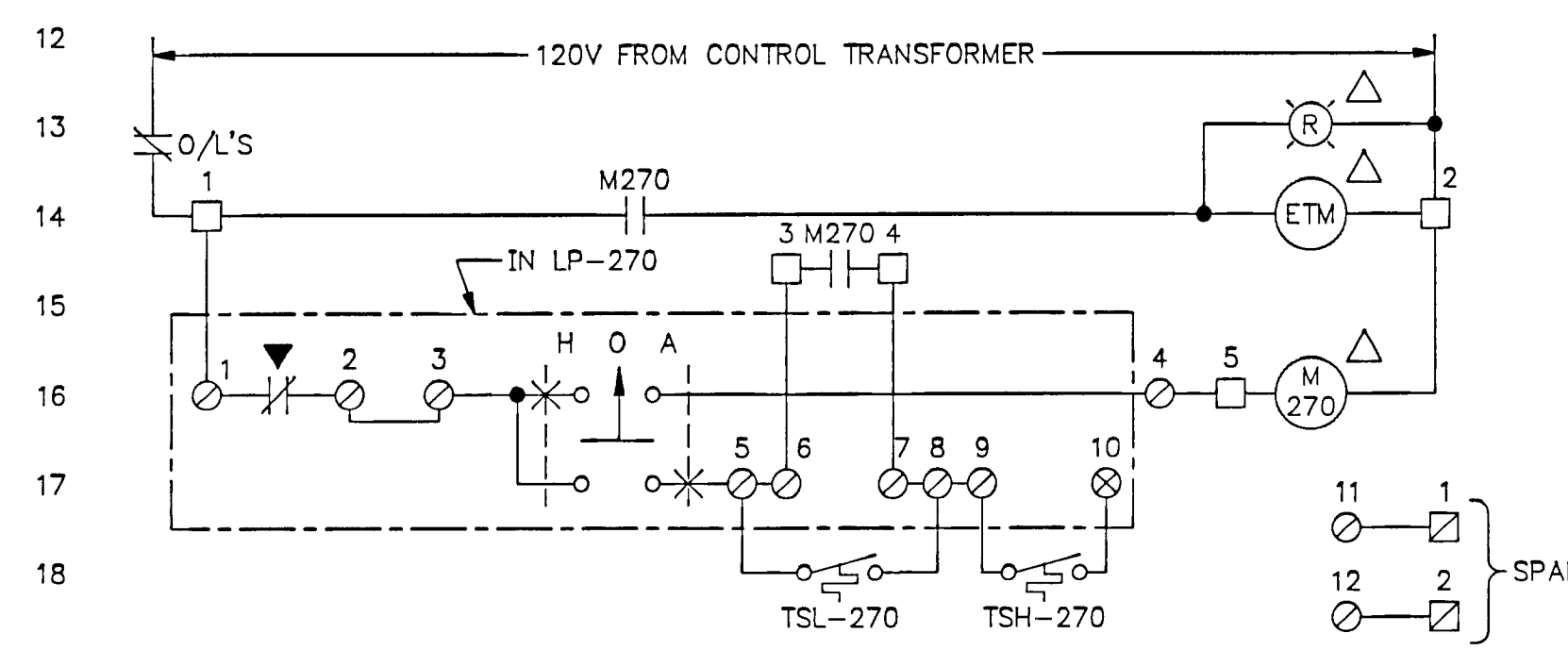
NOTES RECORD DRAWING DATE: December 1988 SIGNED: [Signature]	CHECKED: [Signature] DESIGNER: J.R. LAUFERS PROJECT MANAGER: H.M.S. DIVISION HEAD: [Signature]		GORE & STORRIE LIMITED 1000 SHEPPARD AVENUE EAST SCARBOROUGH, ONTARIO M1S 1W5	CONTROL SCHEMATICS (1) GREATER NAPANEE WATER SUPPLY & POLLUTION CONTROL BOARD NAPANEE W.P.C.P. UPGRADING CONTRACT I - 3 ELECTRICAL	<p>WPCP 116</p>
DATE: MAY 1988 SCALE: NONE		FILE N°: 648 07-AI-05946 DRAWING N°: E4		Copyright © 1988 Gore & Storrie Limited SUPERSEDES ALL DRAWINGS BEARING PREVIOUS REVISION NUMBERS	

THIS DRAWING IS MICROFILMED



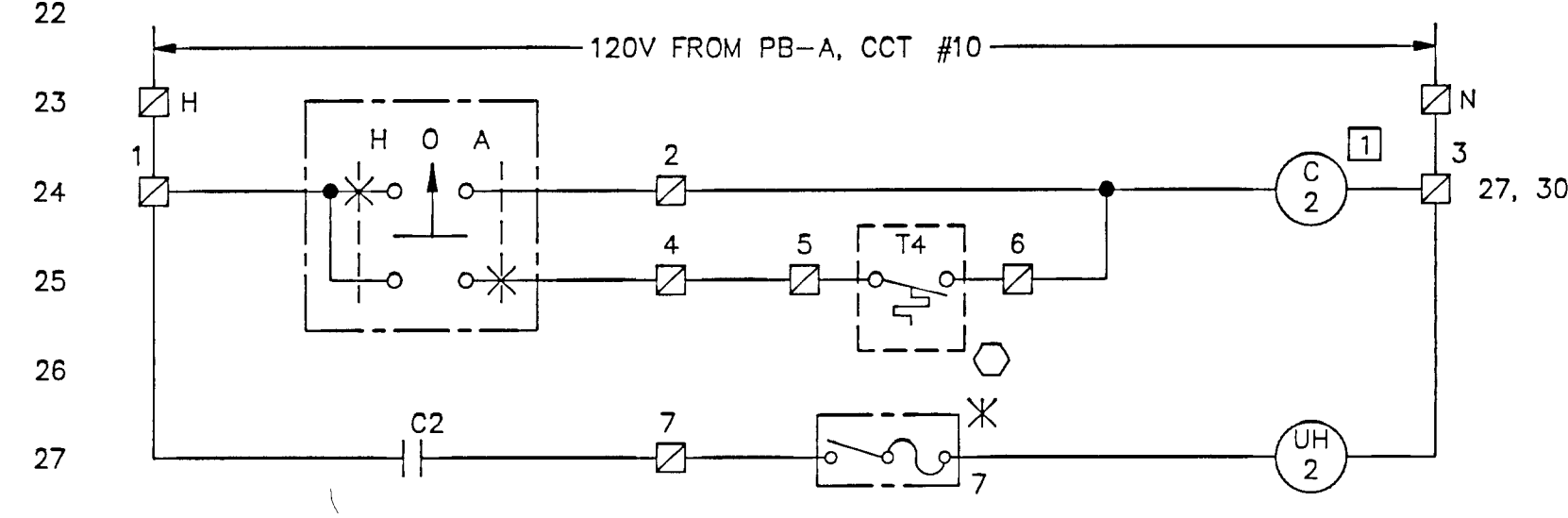
SLUDGE RECIRC. PUMPS ← (9) (E7)

SLUDGE RECIRC PUMP 1, M240, LP-240
SLUDGE RECIRC PUMP 2, M260, LP-260



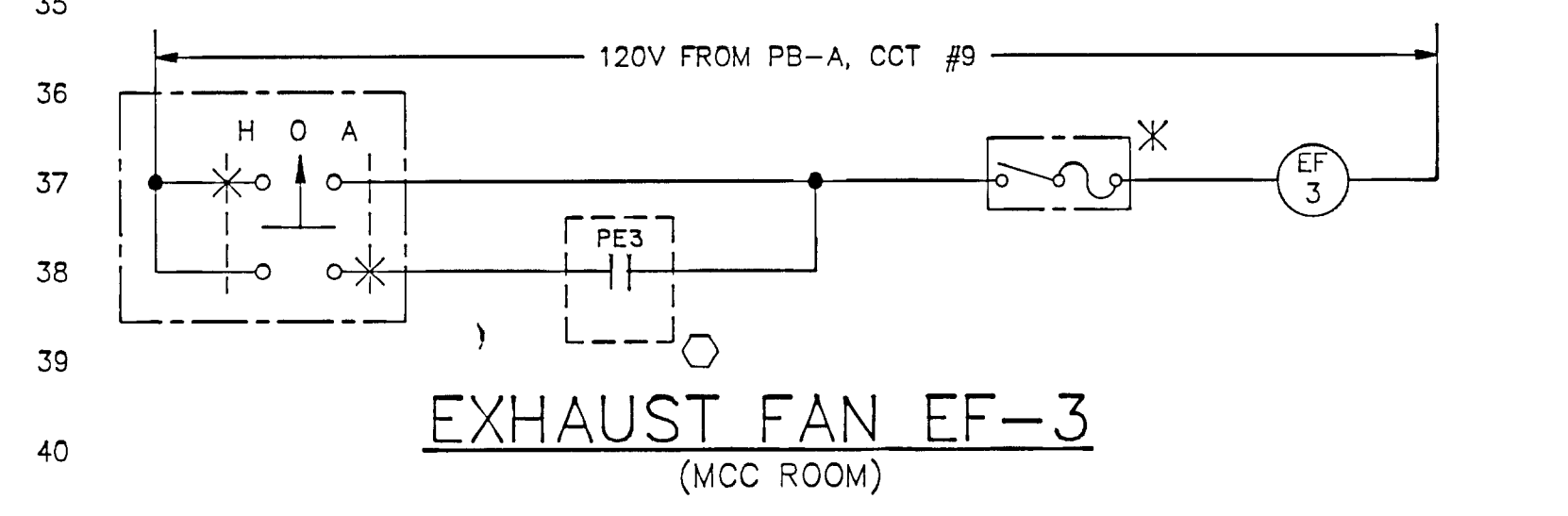
HOT WATER PUMPS ← (11) (E7)

HOT WATER PUMP 1, M270, LP-270
HOT WATER PUMP 2, M280, LP-280



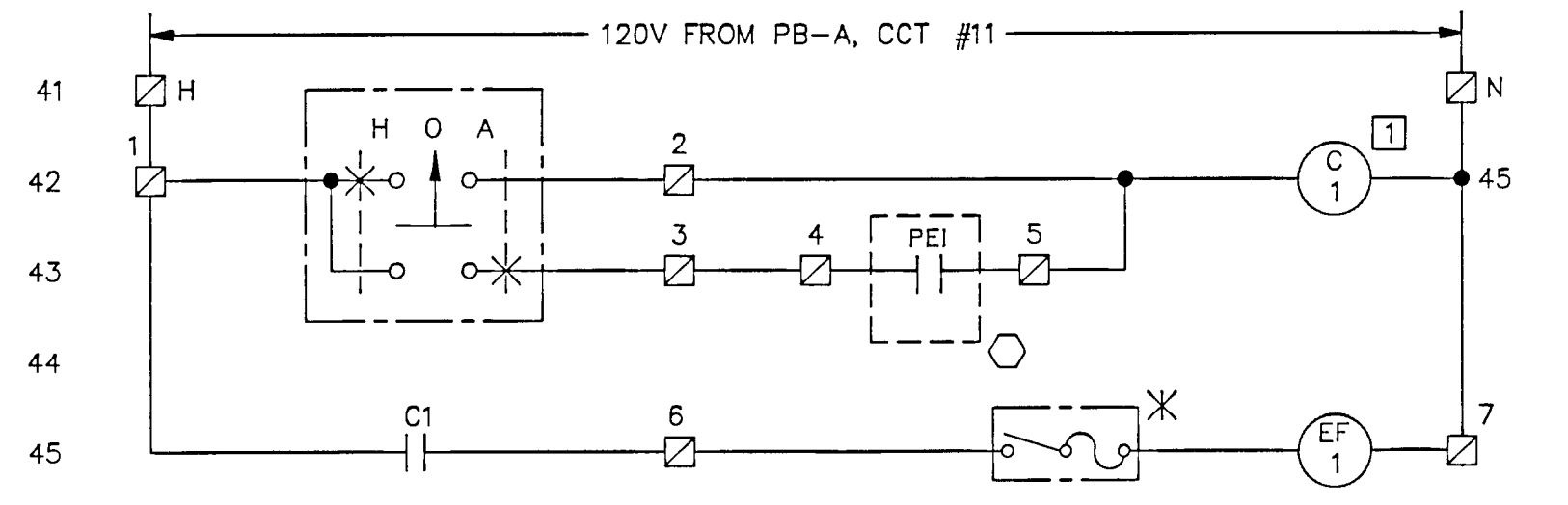
UNIT HEATERS UH-2 & UH-3 ← (13) (E7)

(GAS ROOM)



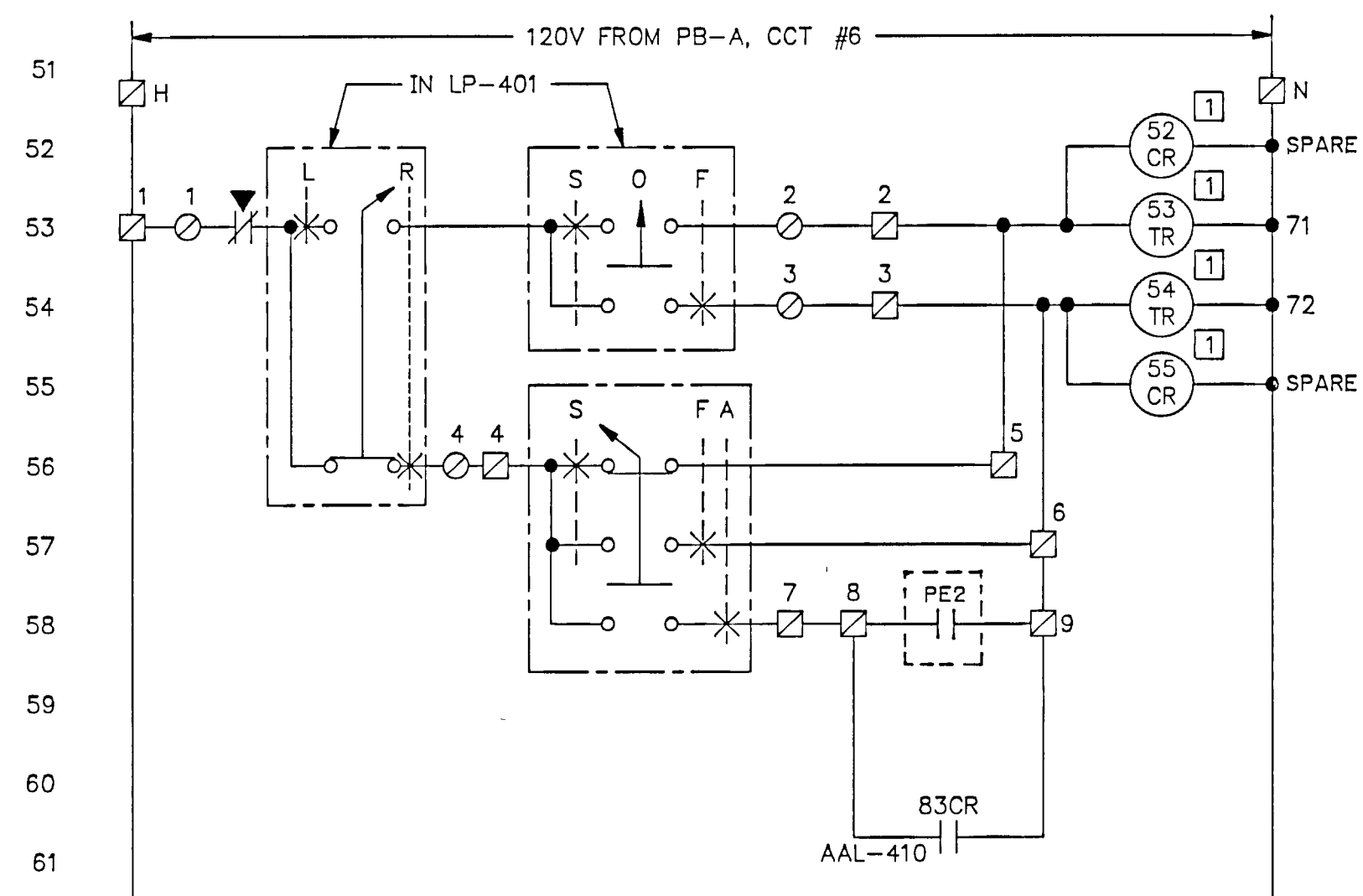
EXHAUST FAN EF-3

(MCC ROOM)

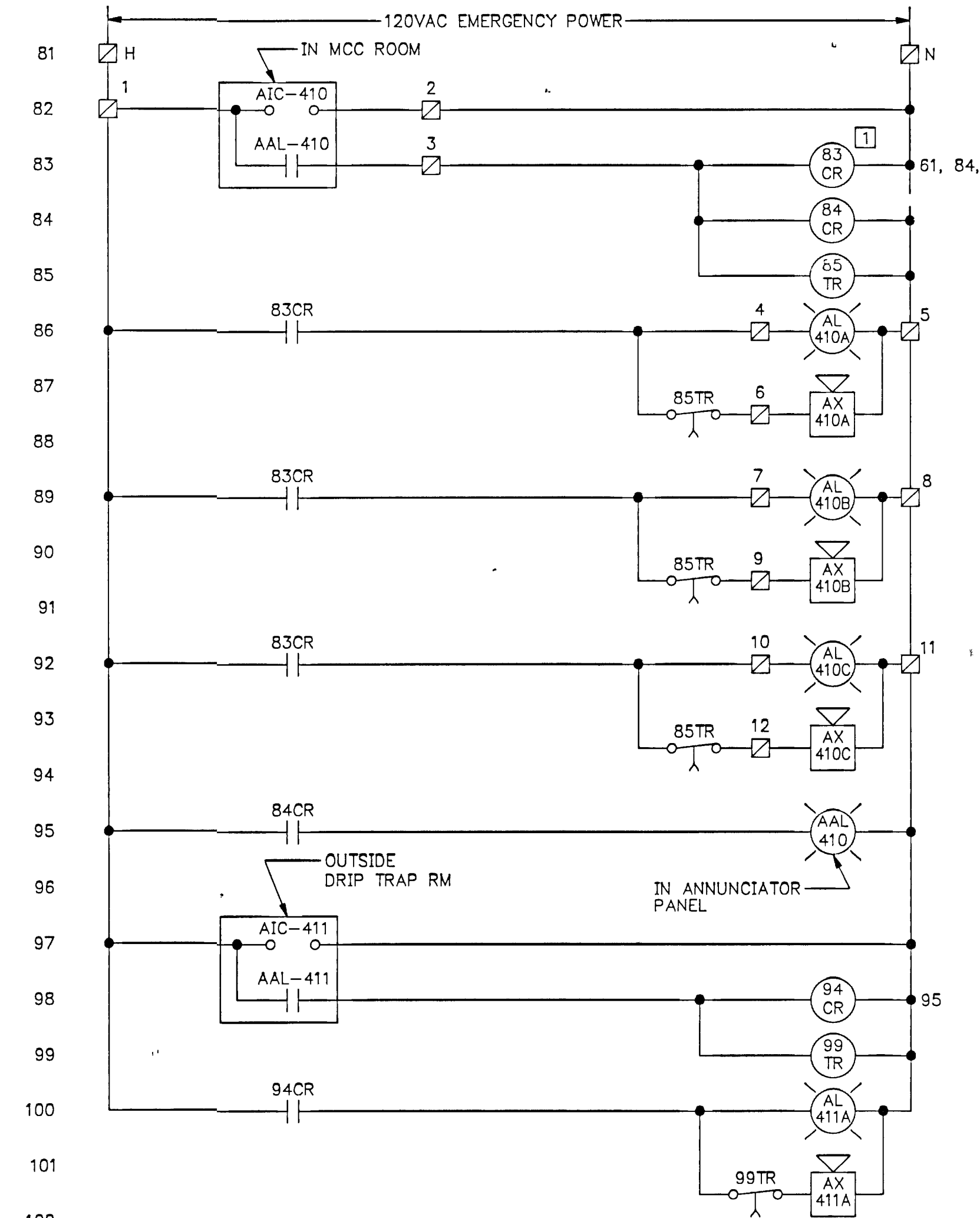
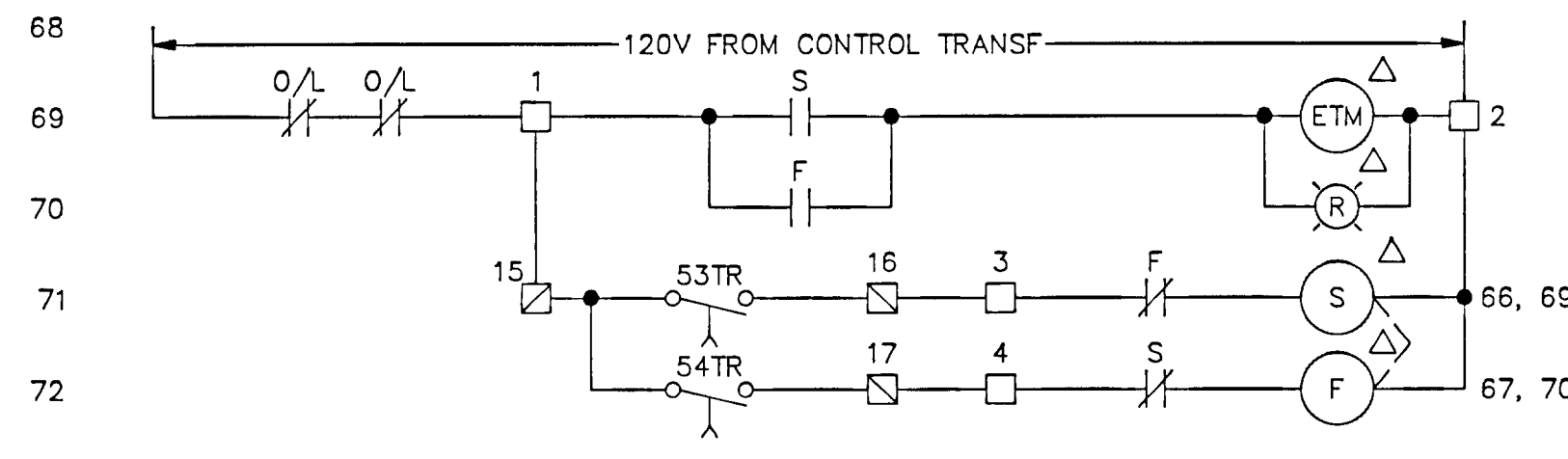


EXHAUST FAN EF-1 ← (12) (E3)

(SLUDGE ROOM)



GAS ROOM FAN EF-2 ← (16) (E7)



COMBUSTIBLE GAS ALARM

GAS ROOM

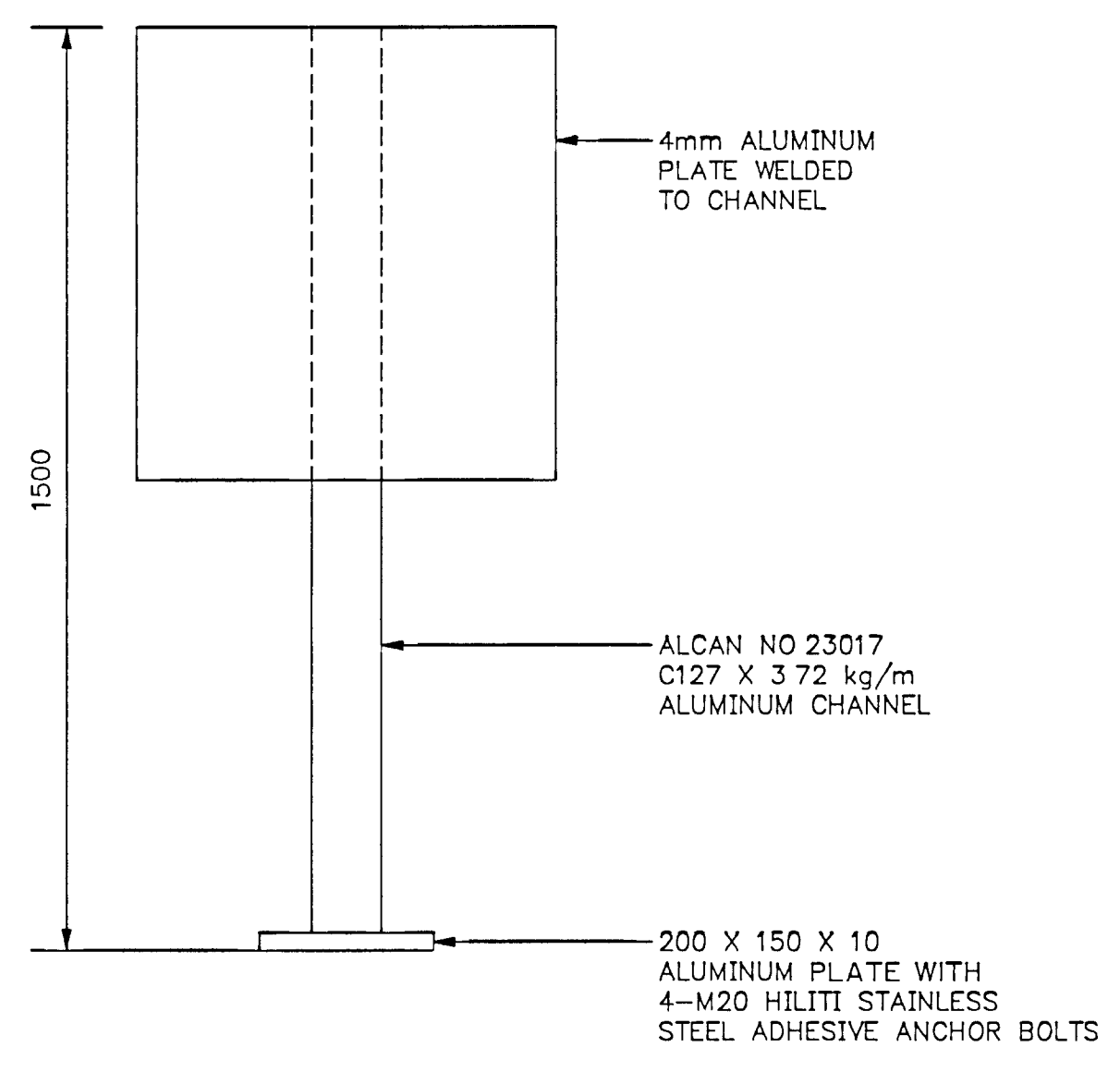
DRIP TRAP ROOM

Copyright © Gore & Storrie Limited
J64807EB Plot-scale = 1:000000000
05-26-88 11:33 ES

FRAME SIZE 566 x 801 mm
DRAWING SIZE A1 (595 x 841 mm)

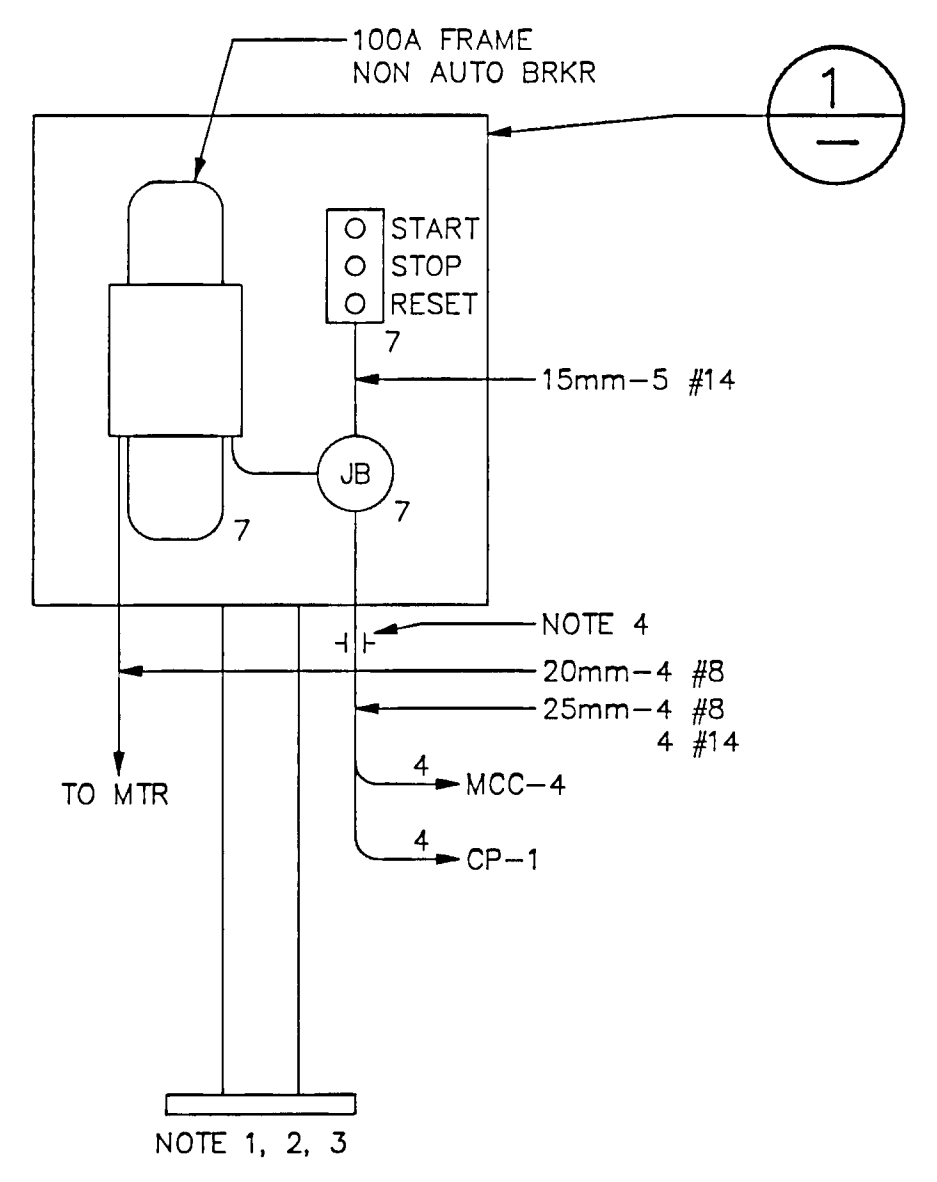
NOTES	CHECKED			GREATER NAPANEE WATER SUPPLY & POLLUTION CONTROL BOARD			Gore & Storrie Limited	
	DESIGNER			PROJECT MANAGER	CONTROL SCHEMATICS (2)		Consulting Engineers & Architects	DATE MAY 1988
RECORD DRAWING	DATE	SIGNED	DIVISION HEAD	Gore & Storrie Limited	NAPANEE W.P.C.P. UPGRADING CONTRACT 1 - 3 ELECTRICAL		SCALE NONE	DRAWING N° E3

SUPERSEDES ALL DRAWINGS BEARING PREVIOUS REVISION NUMBERS

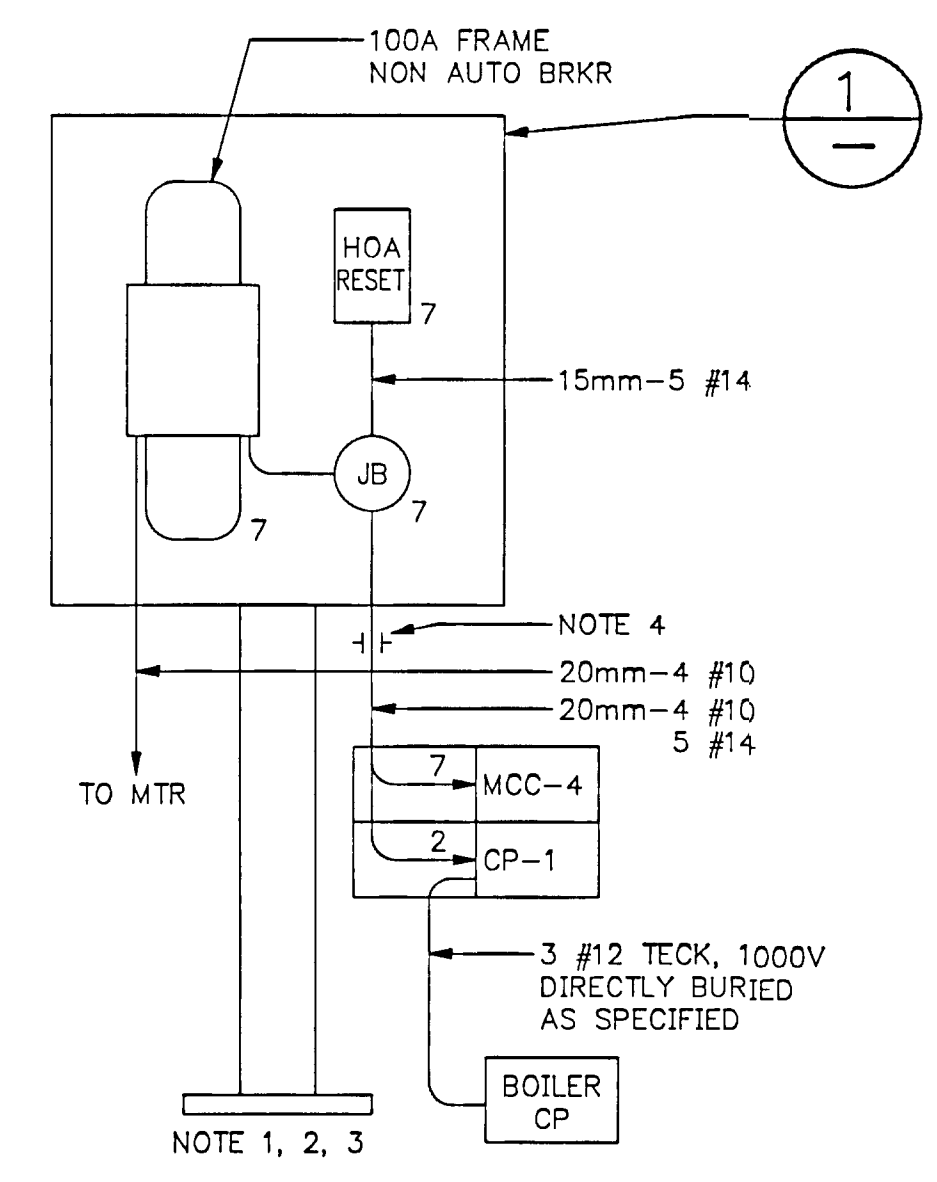


NOTE: AS AN ALTERNATIVE MATERIAL USE STAINLESS STEEL INSTEAD OF ALUMINUM

DETAIL 1



GAS COMPRESSOR CONTROLS (3 REQUIRED) WIRING DETAIL C S DWG E4

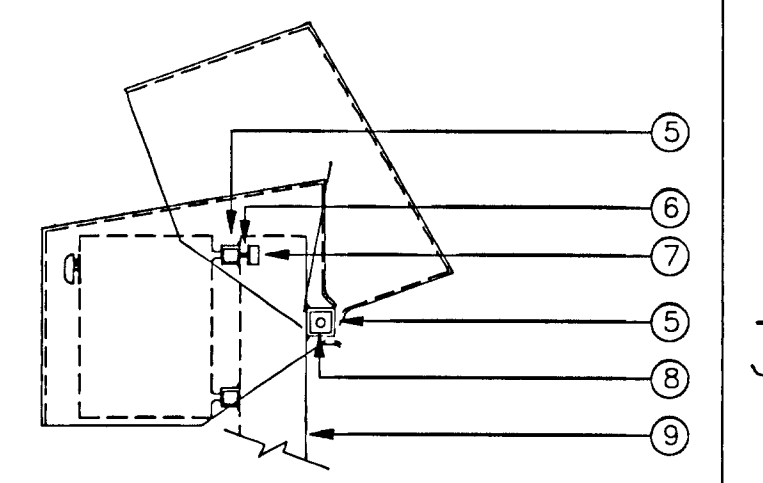
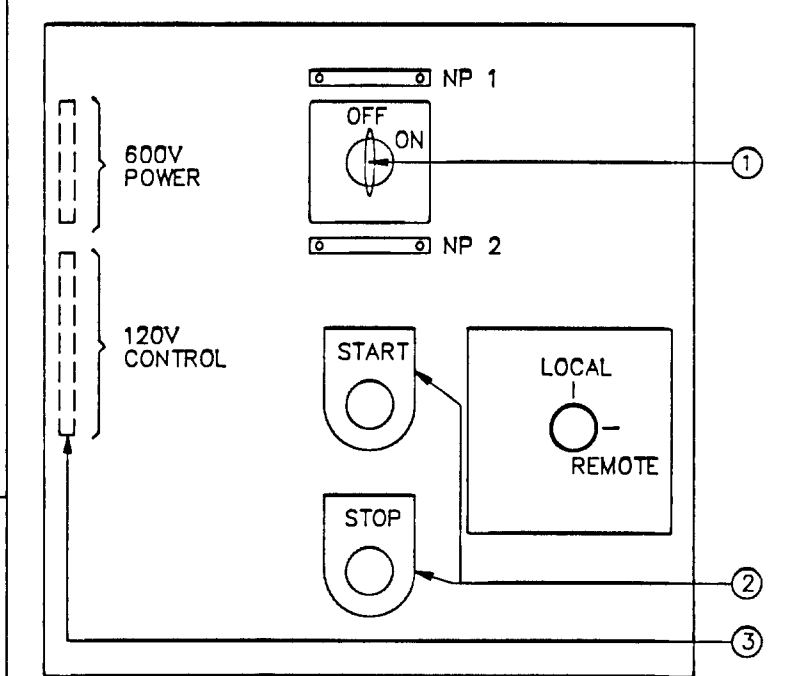


GAS BOOSTER WIRING DETAIL C S DWG E4

- NOTES:**
- 1 ALL EQUIPMENT TO BE EXPLOSIONPROOF
 - 2 COAT ALL NON-ALUMINUM ENCLOSURES WITH BITUMINOUS PAINT & ALLOW TO DRY BEFORE BOLTING TO ALUMINUM PLATE
 - 3 USE ONLY STAINLESS STEEL BOLTS
 - 4 COREDRILL SUITABLE HOLES THROUGH FLOOR AND SEAL AS SPECIFIED
 - 5 PROVIDE RAIN HOOD AS DETAILED FOR ALL OUTDOOR LOCAL PANELS AND ANTI-CONDENSATION SPACE HEATER

LOCAL PANEL SCHEDULE-SEE SPECS.

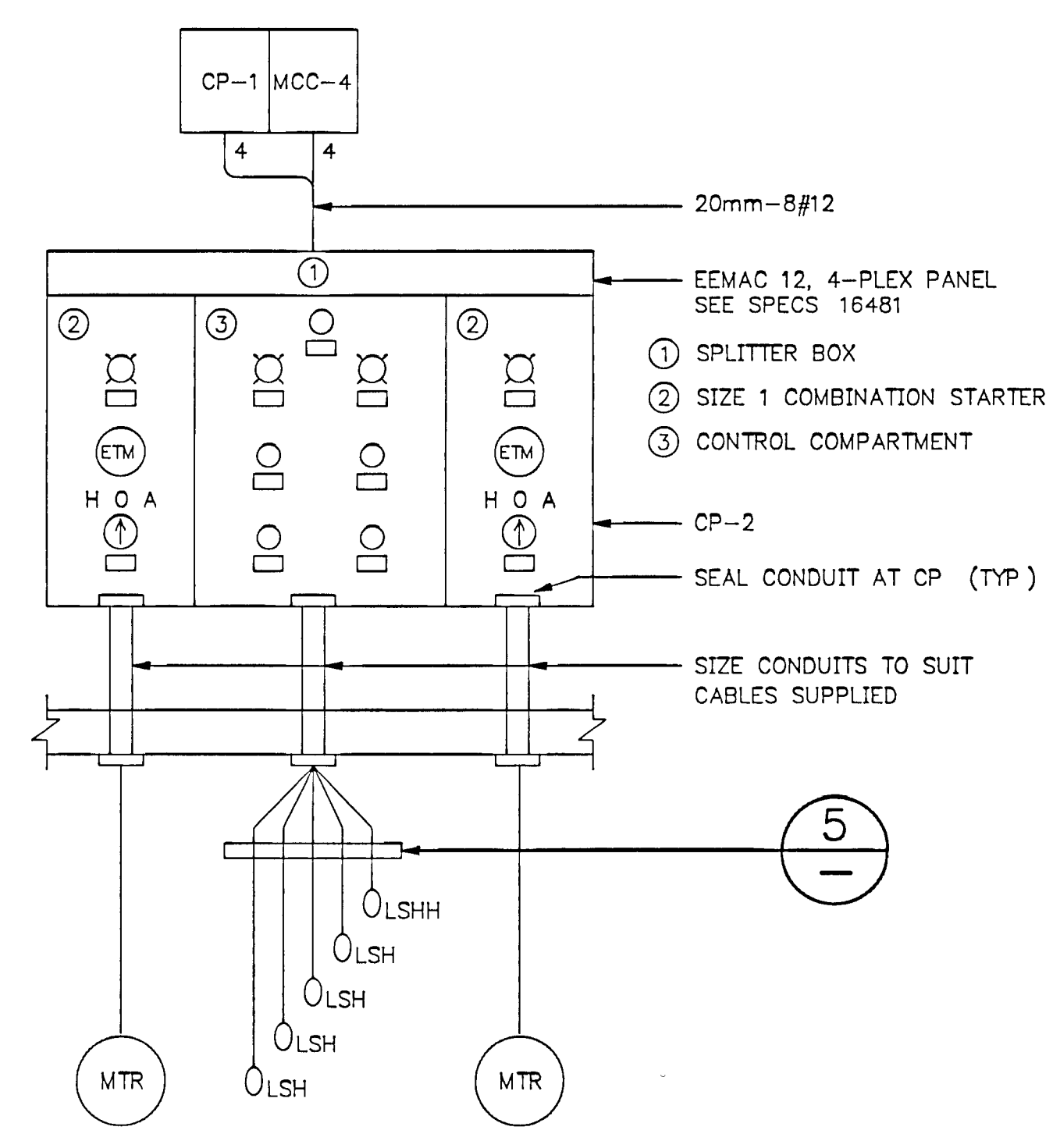
TAG NO.	SERVICE	CS DWG	MTD	LOCATION DWG / GRID	NOTES
LP-240	SLUDGE RECIRC PUMP 1	E5	CHANNEL	E3	
LP-260	SLUDGE RECIRC PUMP 2	E5	CHANNEL	E3	
LP-250	SLUDGE TRUCK LOADING PUMP	E5	CHANNEL	E3	
LP-270	HOT WATER PUMP 1	E5	WALL	E3	
LP-280	HOT WATER PUMP 2	E5	WALL	E3	
LP-401	GAS ROOM EXHAUST FAN EF-2	E5	CHANNEL	E3	5



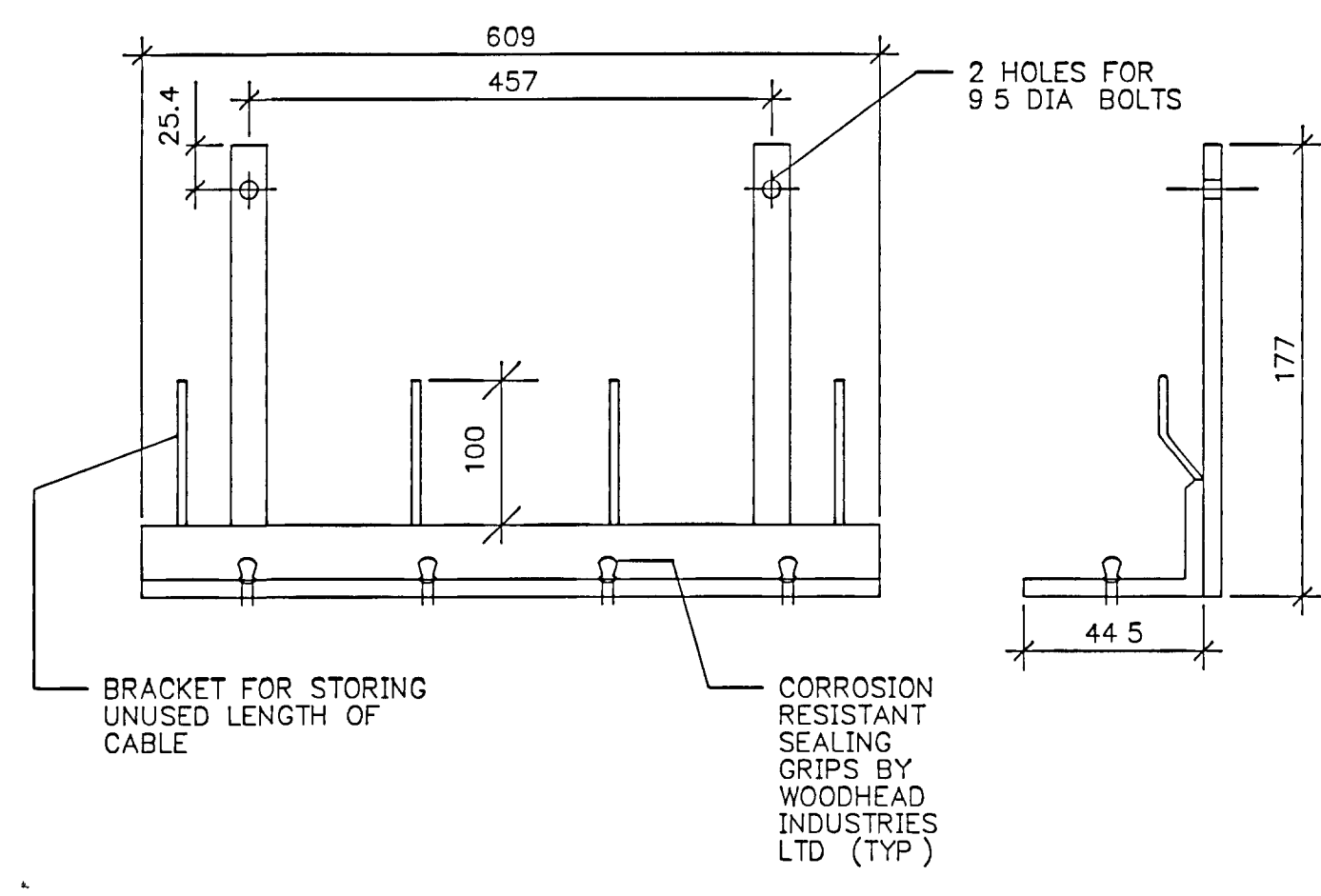
LOCAL PANEL - FRONT VIEW - N.T.S. RAIN HOOD DETAIL N.T.S.

- ITEM**
- NP 1 ENGRAVE LAMICOID NAMEPLATE AS PER LOCAL PANEL SCHEDULE UNDER COLUMN "SERVICE"
 - NP 2 ENGRAVE LAMICOID NAMEPLATE 600V DISCONNECT SWITCH
 - ① 600V DISCONNECT SWITCH (PADLOCKABLE IN "ON" & "OFF" POSITION) WITH AUX CONTACTS TO OPEN BEFORE MAIN SWITCH
 - ② HEAVY DUTY OIL TIGHT PUSHBUTTON
 - ③ TERMINAL BLOCKS WITH MOUNTING RAIL SCREWED TO SUB-PANEL SEE SPECS
 - ⑤ EXTRUDED ALUMINUM TUBING WELDED TO CHANNEL
 - ⑥ RUBBER BUMPER
 - ⑦ ALUMINUM "L" BRACKET WELDED TO INSIDE OF HOOD ONE ON EACH SIDE TO STOP HOOD IN CLOSED POSITION
 - ⑧ 3/8" DIAMETER SS BOLT ON EACH SIDE TO ACT AS A HINGE CHANNEL AS PER DRAWING E7/DETAIL 8
 - ⑨

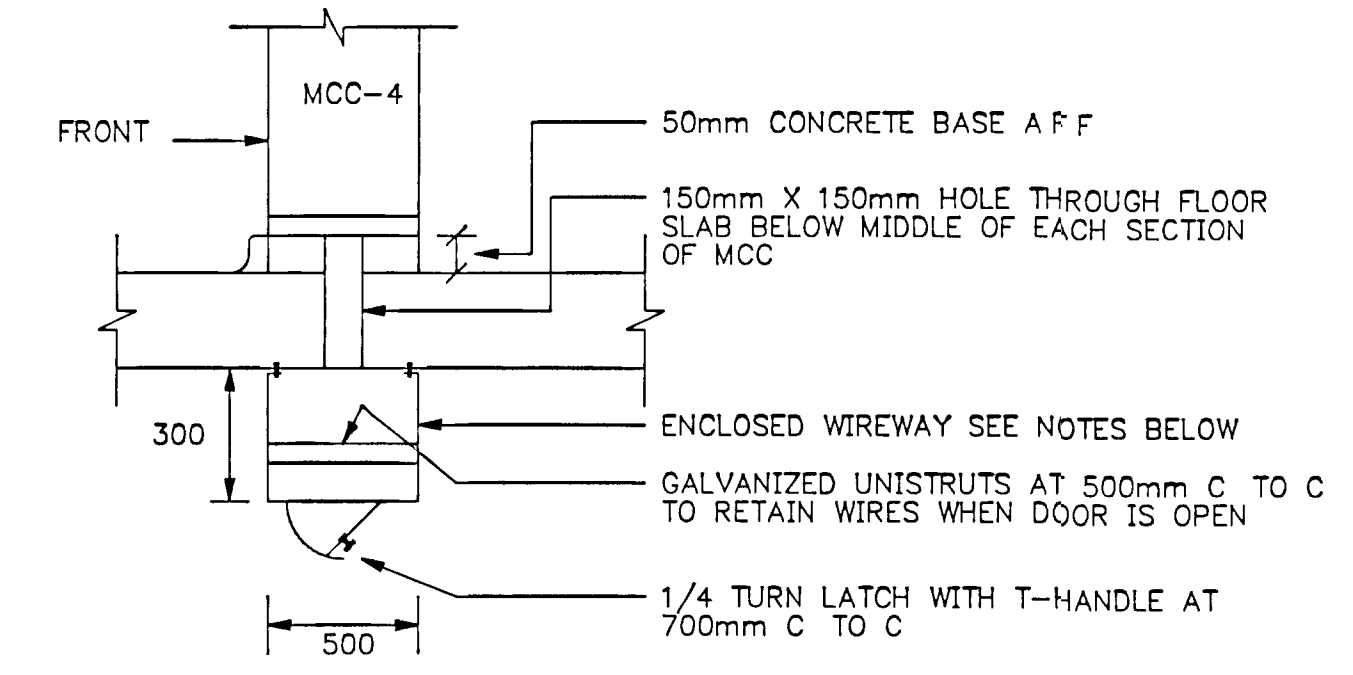
LOCAL PANEL DETAIL 7 E3



DUPLEX SUMP PUMP C S DWG E4



LEVEL REGULATOR HANGER 5 (HOT DIP GALVANIZED)



- NOTES:**
- 1) PROVIDE GALVANIZED WIREWAY 2000 X 300 X 500 MADE OF #12 GAUGE STEEL WITH ONE PRIMER & TWO FINISH COATS ON ALL SURFACES ANCHORED TO CEILING BELOW MCC-4 SECTIONS 1-4 AS SHOWN
 - 2) PROVIDE ACCESS OPENINGS IN THE BOTTOM OF WIREWAY WITH HINGED DOORS
 - 3) PROVIDE HOLES IN THE WIREWAY FOR TERMINATION OF CABLES & CONDUITS PROVIDE NON-METALLIC ENTRY PLATES SERVING CABLES TO MAIN BREAKER IN MCC PROVIDE 20% SPARE HOLES WITH PLUGS

WIREWAY 6 E3

Copyright © Core & Storrie Limited
09-26-88 12:32 E3

FRAME SIZE 566 x 801 mm
DRAWING SIZE A1 (595 x 841 mm)

NOTES

WPCP 118

Napanee UTILITIES

RECORD DRAWING DATE *December 1990* SIGNED *[Signature]*

CHECKED *[Signature]* DESIGNER

J. LAUFERS REGISTERED PROFESSIONAL ENGINEER

P. F. DA SILVA REGISTERED PROFESSIONAL ENGINEER

PROJECT MANAGER DIVISION HEAD

Gore & Storrie Limited

DETAILS (1)

GREATER NAPANEE WATER SUPPLY & POLLUTION CONTROL BOARD

NAPANEE W.P.C.P. UPGRADING CONTRACT I - 3 ELECTRICAL

Copyright © 1988 Core & Storrie Limited

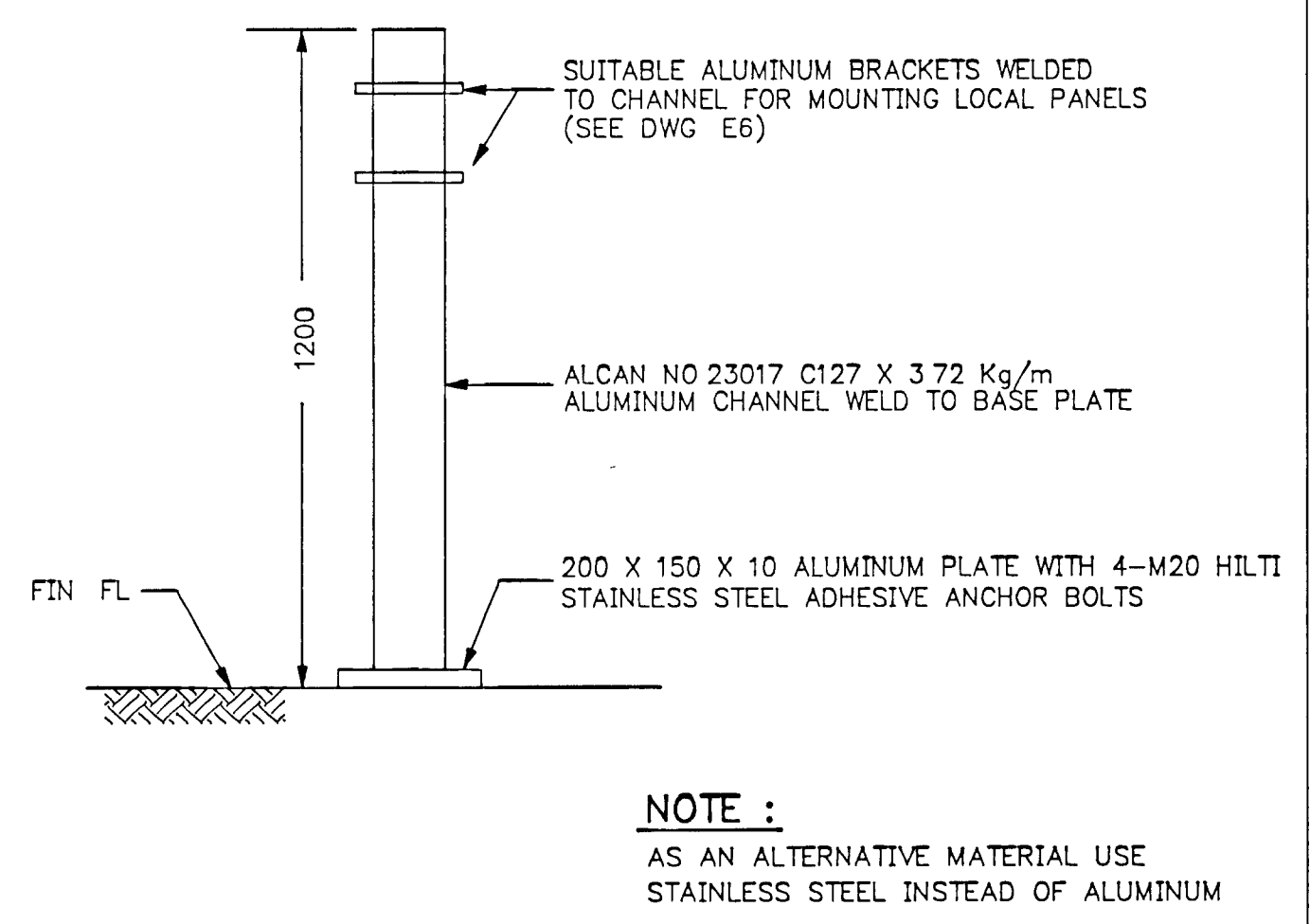
Gore & Storrie Limited Consulting Engineers & Architects

DATE MAY 1988 FILE N° 648 07-AI-05948

SCALE NONE DRAWING N° E6

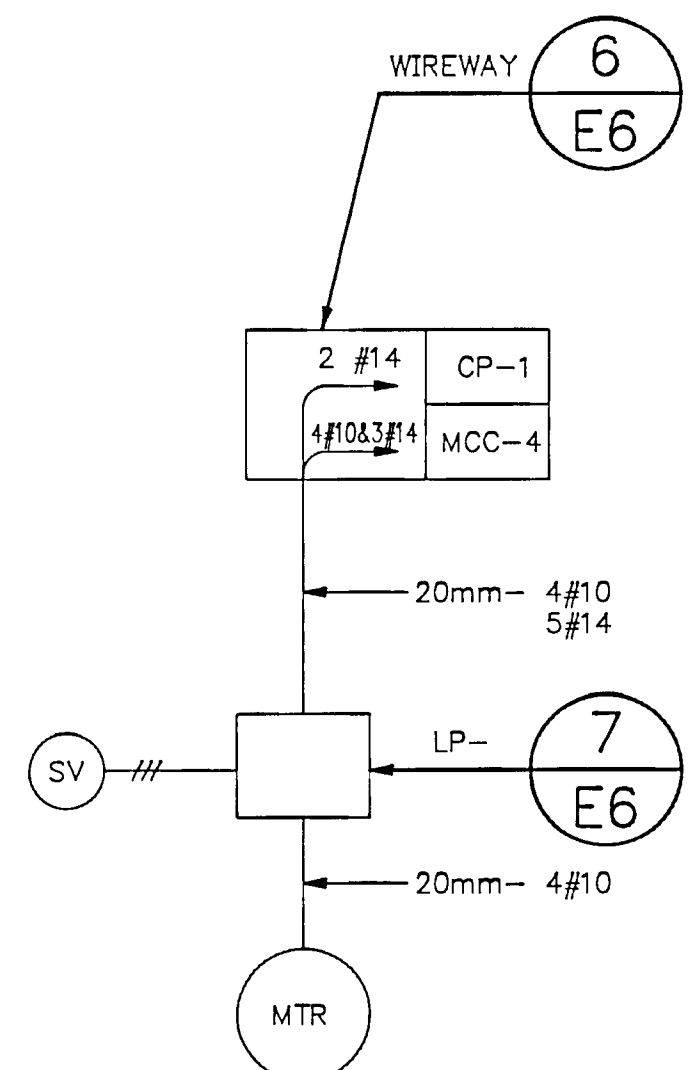
SUPERSEDES ALL DRAWINGS BEARING PREVIOUS REVISION NUMBERS

THIS DRAWING MICROFILMED

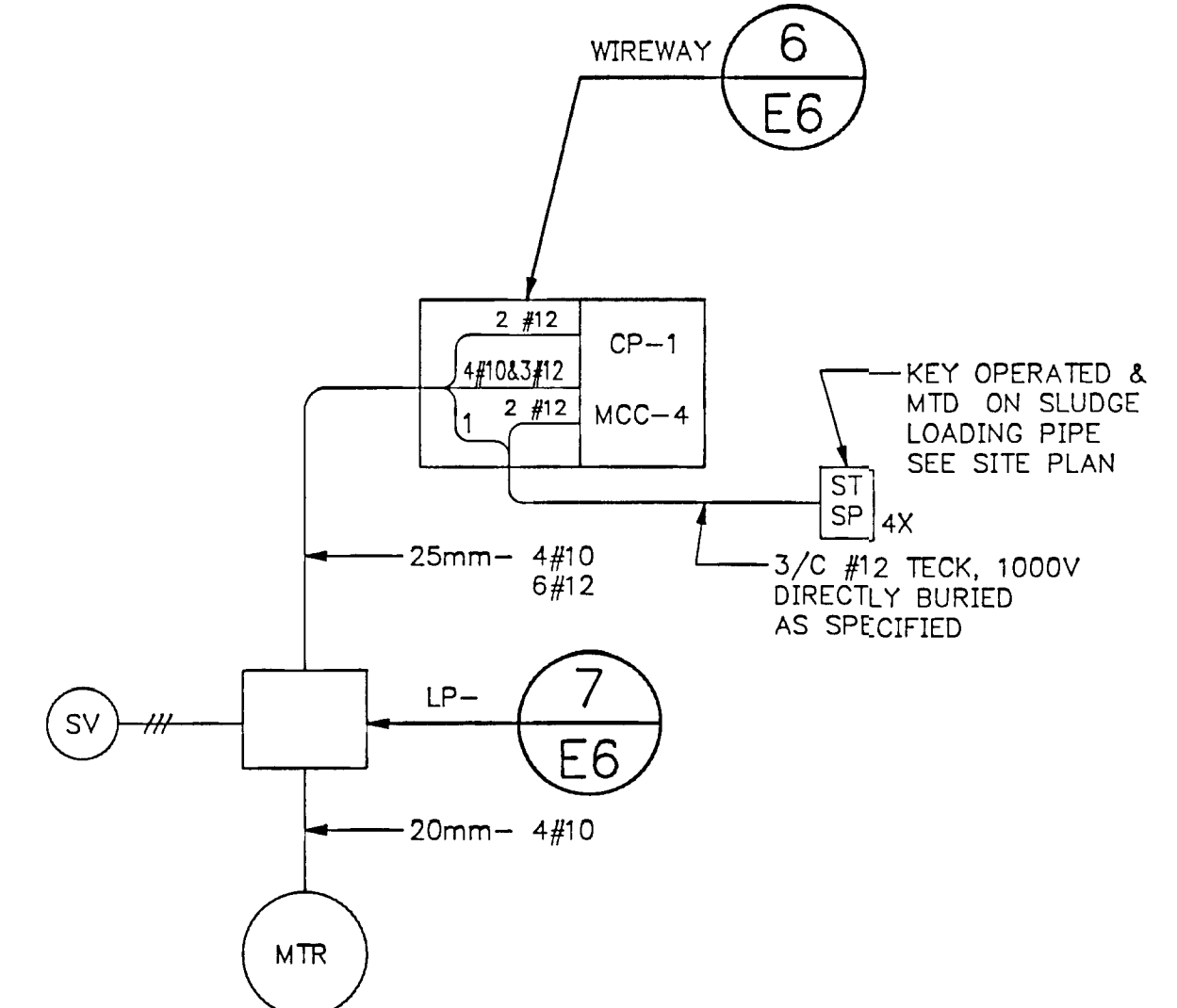


DETAIL N.T.S. (8)

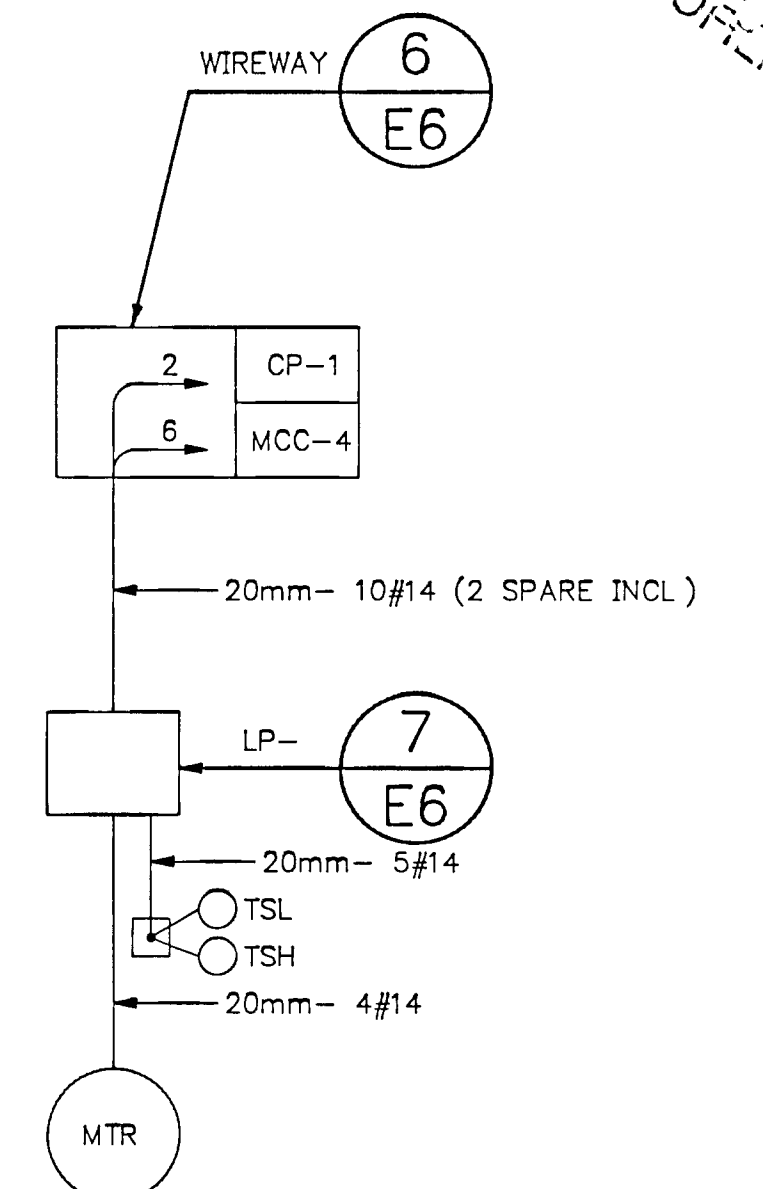
NOTE:
AS AN ALTERNATIVE MATERIAL USE STAINLESS STEEL INSTEAD OF ALUMINUM



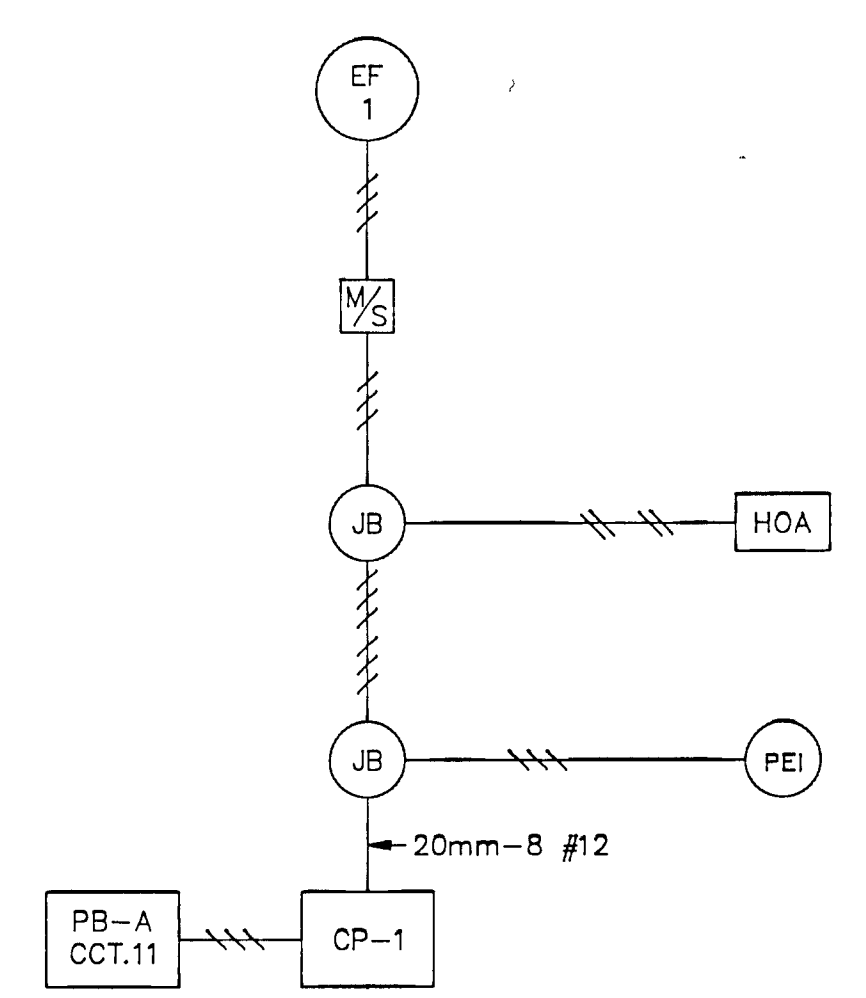
SLUDGE RECIRC. PUMPS (2 REQ'D) WIRING DETAIL (9)
C S DWG E5
LOC DWG E3



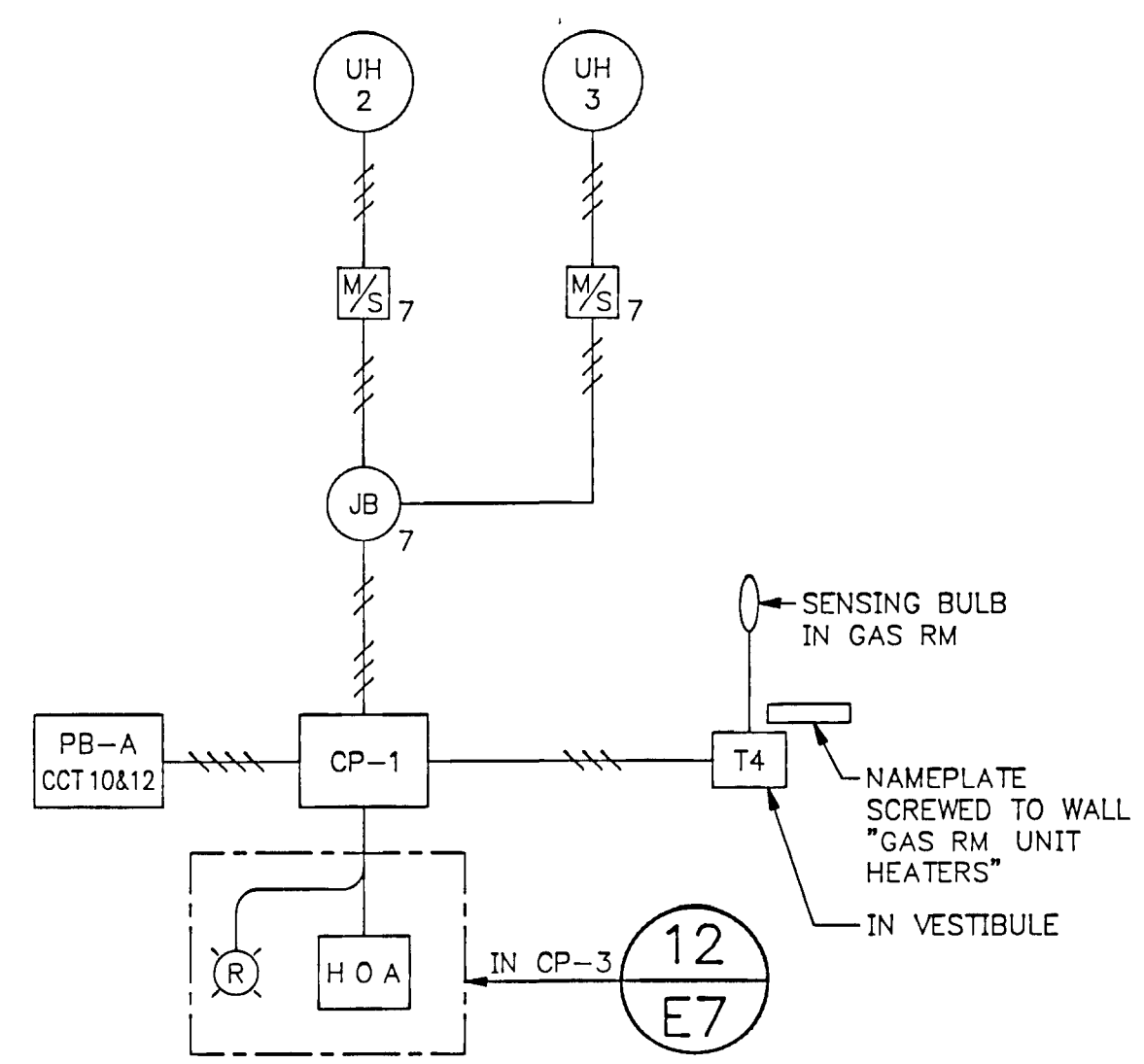
SLUDGE TRUCK LOADING PUMP WIRING DETAIL (10)
C S DWG E4
LOC DWG E3



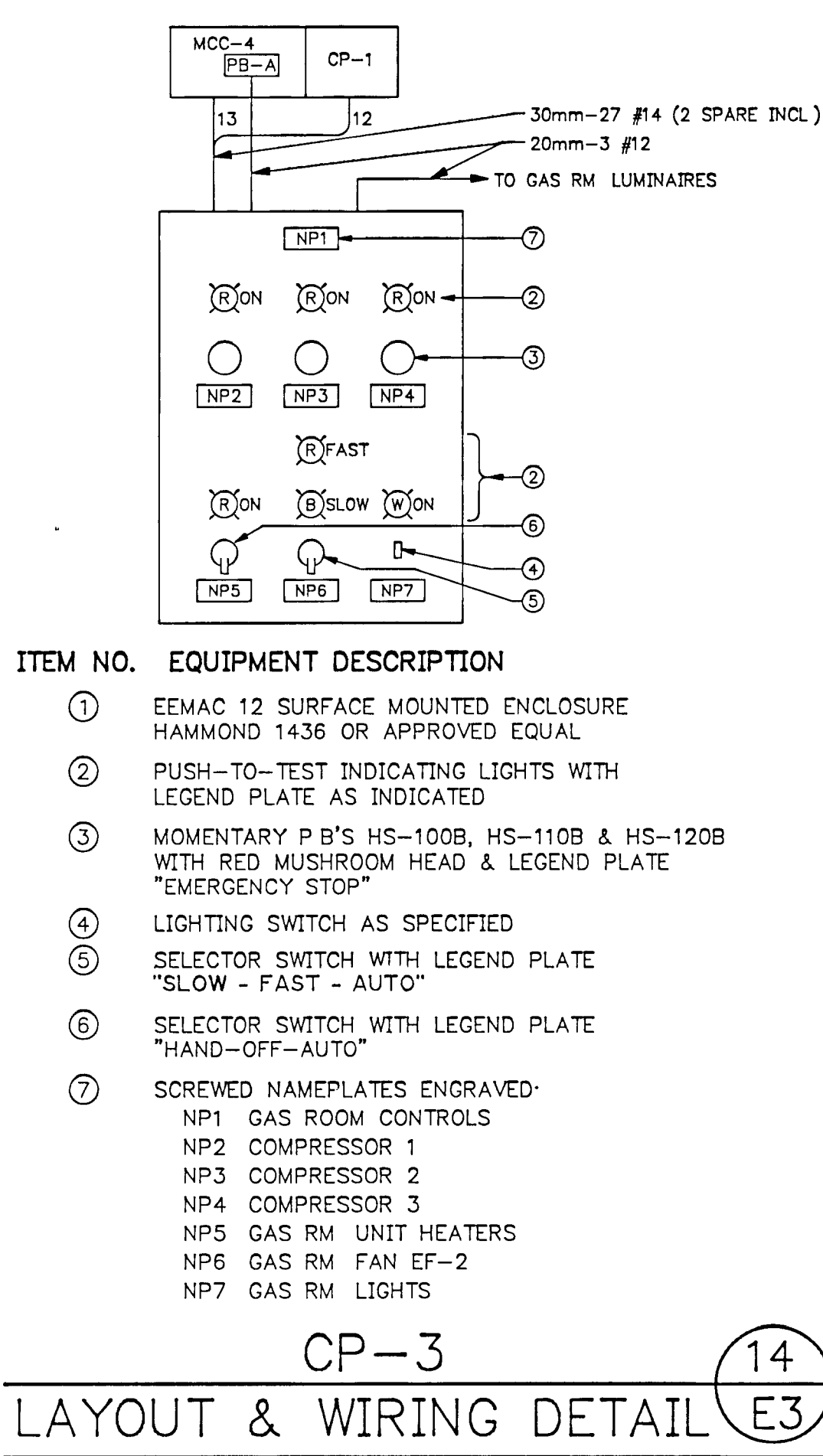
HOT WATER PUMPS (2 REQ'D) WIRING DETAIL (11)
C S DWG E5
LOC DWG E3



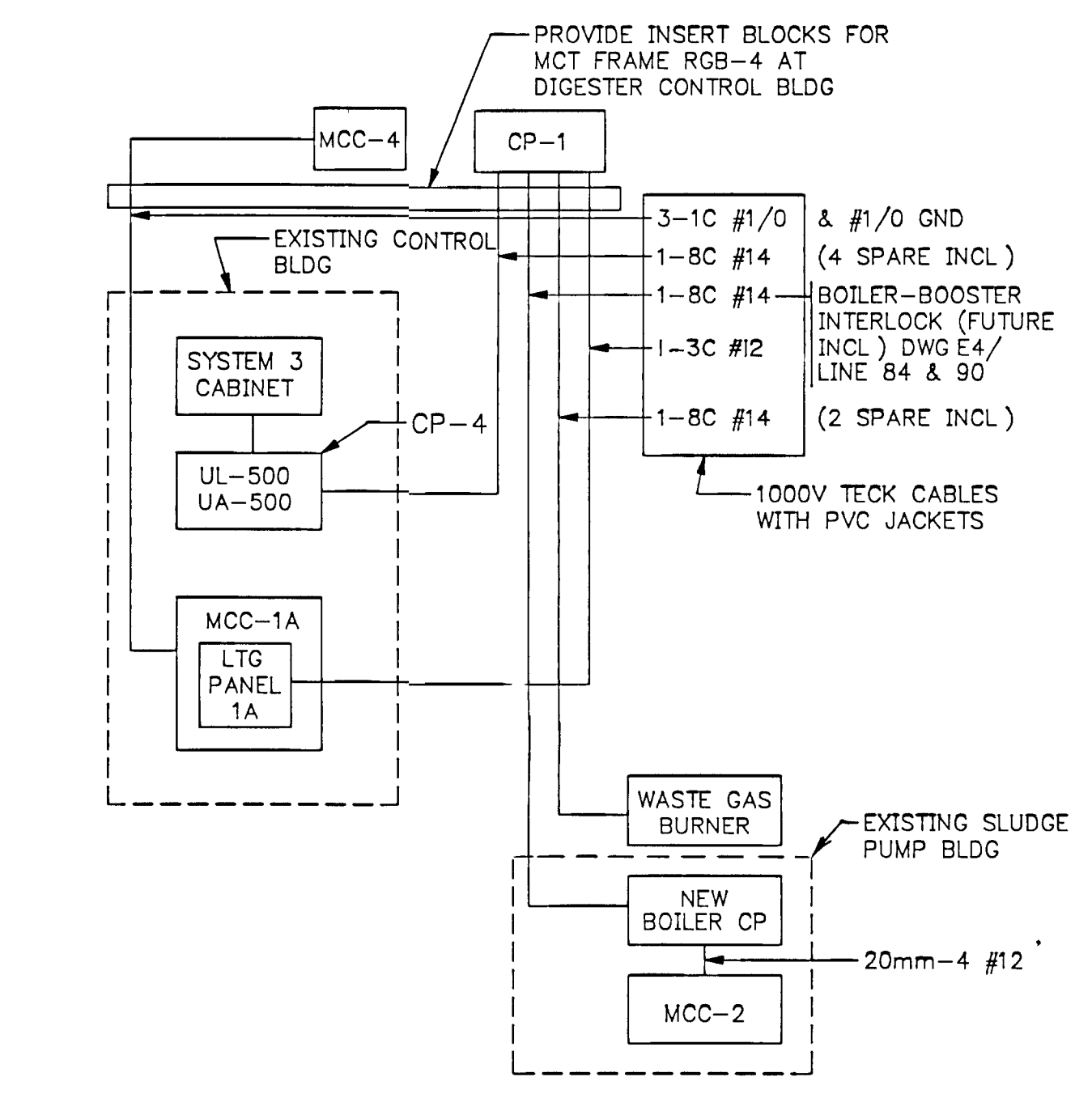
EXHAUST FAN EF-1 WIRING DETAIL (12)
E3



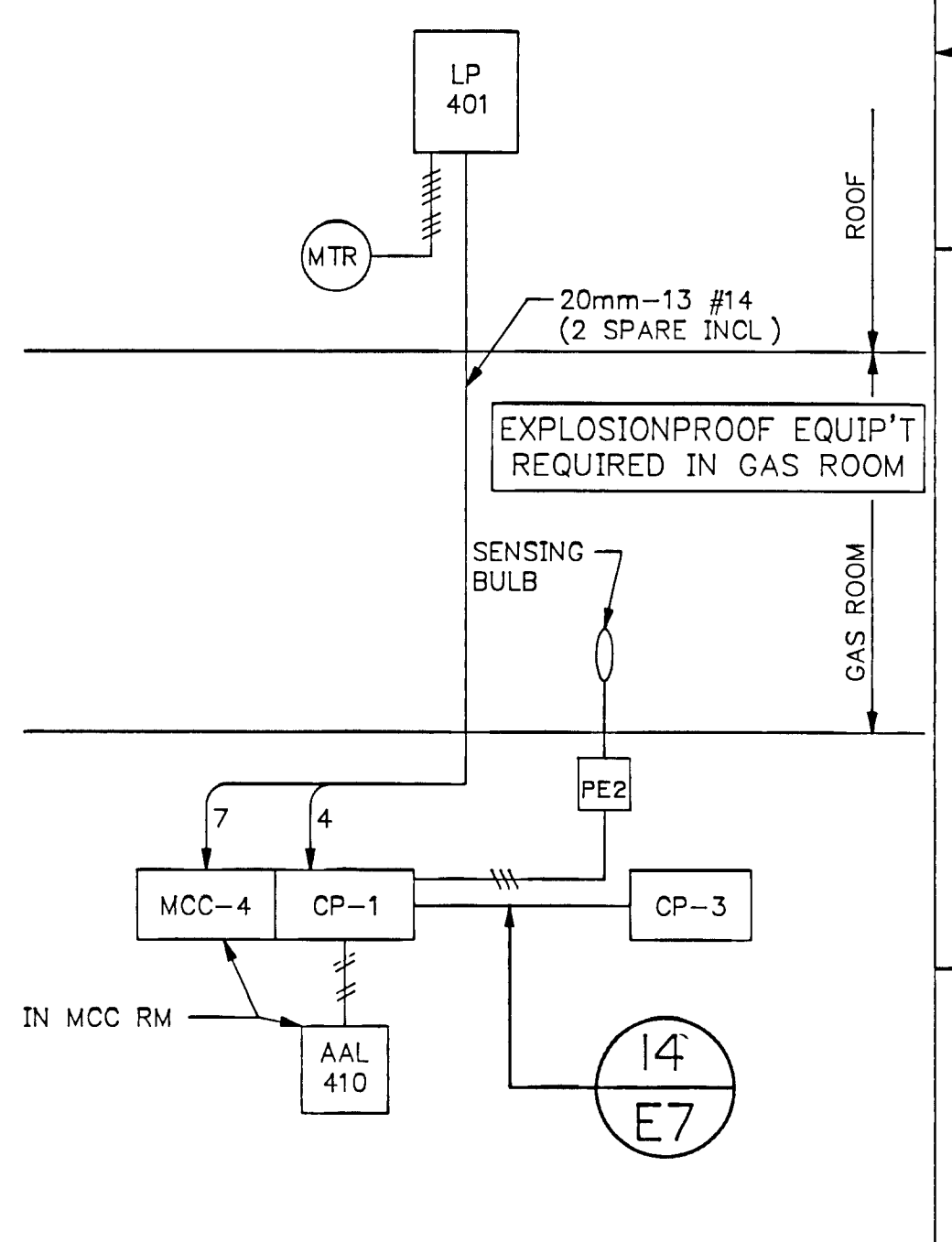
UNIT HEATERS UH-2 & UH-3 WIRING DETAIL (13)
E3



CP-3 LAYOUT & WIRING DETAIL (14)
E3



BURIED CABLES-NOTE 2/DWG.E2 INTERCONNECTION DETAIL (15)
E2



GAS RM. FAN EF-2 WIRING DETAIL (16)
E3
C S DWG E5

Copyright © Gore & Storrie Limited
J64407E5 Plot-scale = 1:000000000
05-27-88 15.27 ES
FRAME SIZE 566 x 801 mm
DRAWING SIZE A1 (595 x 841 mm)

NOTES

Napanee UTILITIES

WPCP 119

RECORD DRAWING DATE: DECEMBER 1992

CHECKED: [Signature]

DESIGNER: [Signature]

PROJECT MANAGER: [Signature]

DIVISION HEAD: [Signature]

Gore & Storrie Limited

REGISTERED PROFESSIONAL ENGINEER

J/R LAUFERS

REGISTERED PROFESSIONAL ENGINEER

P F da SILVA

PROVINCE OF ONTARIO

PROVINCE OF ONTARIO

GREATER NAPANEE WATER SUPPLY & POLLUTION CONTROL BOARD

NAPANEE W.P.C.P UPGRADING CONTRACT 1-3 ELECTRICAL

Gore & Storrie Limited Consulting Engineers & Architects

DATE: MAY 1988

SCALE: NONE

FILE N°: 648.07-AI-05949

DRAWING N°: E7

SUPERSEDES ALL DRAWINGS BEARING PREVIOUS REVISION NUMBERS

DRAWING
FILMED

MAJOR EQUIPMENT	
	CENTRIFUGAL PUMPS/BLOWERS
	MAJOR EQUIPMENT
	MAJOR EQUIPMENT
	MAJOR EQUIPMENT
	MAJOR EQUIPMENT
	HEAT EXCHANGER
	POSITIVE DISPLACEMENT PUMP
	SUMP PUMP
	MIXER
	METERING PUMP
	VERTICAL PUMP
	EJECTOR

IN-LINE COMPONENTS	
	GAUGE COCK
	SEDIMENT TRAP
	DRIP TRAP
	HOSE CONNECTION
	OPEN DRAIN
	MISC INLINE COMPONENT
	BLIND FLANGE
	END CAP
	SCRUBBER
	MOISTURE SEPARATOR
	FLOW ARROW

IN-LINE COMPONENTS	
	SILENCER
	FLAME ARRESTER
	FLEXIBLE CONNECTION
	ROTAMETER
	INLINE MIXER
	STATIC MIXER
	GATE
	CONCENTRIC REDUCER
	ECCENTRIC REDUCER
	SEAL
	SLUICE GATE
	UNION
	VICTAULIC COUPLING
	Y-TYPE STRAINER

METERING DEVICES	
	ORIFICE
	VENTURI TUBE
	FLUME
	WEIR
	TURBINE
	ROTAMETER TYPE FLOW INDICATOR
	POSITIVE DISPLACEMENT TYPE FLOW TOTALIZING INDICATOR
	MAGNETIC
	OFF-LINE METER (INDICATOR, TRANSMITTER, ETC)

LINE FONT DESIGNATIONS	
	MAJOR PROCESS LINE (NEW)
	MINOR PROCESS LINES (NEW)
	PROCESS LINES (EXISTING)
	ELECTRICAL SIGNALS ANALOG DISCRETE
	HYDRAULIC SIGNALS
	PNEUMATIC SIGNALS
	CAPILLARY TUBING
	SONIC SIGNAL (GUIDED)
	SONIC SIGNAL (UNGUIDED)
	SYSTEM LINKS

FUNCTIONAL IDENTIFICATION OF INSTRUMENTS AND PROGRAMMABLE CONTROLLER I/O'S	
FIRST LETTER	SUCCEEDING LETTERS
MEASURED VARIABLE	DISPLAY OR OUTPUT FUNCTION
A ANALYSIS	ALARM
B BURNER	-
C -	CONTROL
D DENSITY/DIFFERENTIAL	-
E VOLTAGE	PRIMARY ELEMENT
F FLOW RATE	-
G -	GLASS
H HAND	HIGH
I CURRENT	INDICATE
J POWER	SCAN
K TIME	CONTROL STATION
L LEVEL	LOW/LIGHT
M MOISTURE	MIDDLE
N TURBIDITY	-
O -	ORIFICE
P PRESSURE	-
Q QUANTITY	INTEGRATE
R -	RECORD/PRINT
S SPEED/FREQUENCY	SWITCH
T TEMPERATURE	TRANSMITTER
U MULTIVARIABLE	MULTIFUNCTION
V VISCOSITY	VALVE
W WEIGHT	-
X AS DEFINED	-
Y STATUS	COMPUTING OR SIGNAL CONVERTING
Z POSITION	DRIVE/ACTUATE

VALVES	
	GATE VALVE
	GLOBE VALVE
	PLUG VALVE
	CHECK VALVE
	BALL VALVE
	BUTTERFLY VALVE
	DIAPHRAGM VALVE
	MUD VALVE
	PINCH VALVE
	THERMAL VALVE
	NEEDLE VALVE
	KNIFE-GATE VALVE
	3 WAY VALVE
	4 WAY VALVE
	3 WAY PLUG VALVE
	ANGLE VALVE
	PRESSURE RELIEF VALVE

DIAPHRAGM OPERATED VALVES (WITH STEMS)	
	SPRING OPPOSED
	SPRING OPPOSED WITH POSITION INDICATOR
	PRESSURE REDUCING REGULATOR EXTERNAL PRESSURE TAP
	BACK PRESSURE REGULATOR EXTERNAL PRESSURE TAP
	PRESSURE REDUCING REGULATOR SELF OPERATED
	PRESSURE REDUCING REGULATOR SELF CONTAINED
	BACK PRESSURE REGULATOR SELF CONTAINED
	FLOW REGULATOR SELF OPERATED
	TEMPERATURE REGULATOR SELF OPERATED
	PRESSURE BALANCED
	DIFFERENTIAL PRESSURE REDUCING REGULATOR INTERNAL AND EXTERNAL PRESSURE TAPS

VALVES WITH OPERATORS OTHER THAN DIAPHRAGM	
	HAND ACTUATOR
	PNEUMATIC CYLINDER OPERATOR (SINGLE)
	PNEUMATIC CYLINDER OPERATOR (DOUBLE)
	PNEUMATIC CYLINDER OPERATOR (WITH POSITION INDICATOR)
	UNDEFINED (USER SPECIFIED)
	SOLENOID ACTUATOR
	HYDRA-MOTOR VALVE
	ELECTRO-HYDRAULIC OPERATOR
	MOTOR OPERATOR

INSTRUMENTATION		
	MOUNTED LOCALLY	INSTRUMENT SYMBOLS
	MOUNTED ON FACE OF PANEL	
	MOUNTED BEHIND PANEL DOOR	
	ALARM, LIGHT	DISTRIBUTED CONTROL SHARED INSTRUMENTS
	NOT ACCESSIBLE TO OPERATOR	
	ACCESSIBLE TO OPERATOR	PROGRAMMABLE CONTROLLER SYMBOLS
	AUXILIARY LOCATION	
	NOT ACCESSIBLE TO OPERATOR	COMPUTER SYMBOLS
	ACCESSIBLE TO OPERATOR	

INSTRUMENTATION		
	LOGIC GATE - AND (INTERLOCK IS EFFECTIVE ONLY IF ALL INPUTS EXIST)	INTERLOCK SYMBOLS
	LOGIC GATE - OR (INTERLOCK IS EFFECTIVE IF ANY ONE OR MORE INPUTS EXIST)	
	LOGIC GATE - EXCLUSIVE OR (INTERLOCK IS EFFECTIVE IF ONLY ONE OF THE INPUTS EXIST)	
	COMPLEX OR UNDEFINED INTERLOCK	MISCELLANEOUS SYMBOLS
	RESET FOR LATCH TYPE ACTUATOR	
	PURGE OR FLUSHING DEVICE	ANNOTATION SYMBOLS
	AIR SUPPLY	
	POWER SUPPLY	
	PANEL NUMBER n	
	MOTOR CONTROL CENTRE NUMBER n	
	SQUARE ROOT EXTRACTION	
	PROGRAMMABLE CONTROLLER I/O RACK NUMBER n	
	SUPPLIED BY OTHERS INSTALLED UNDER THIS SECTION	

CONTROL PANEL SYMBOLS	
	INDICATING CONTROLLER, INDICATOR
	INDICATOR
	MULTI-POSITION SWITCH
	2 POSITION SWITCH
	3 POSITION SWITCH
	HORN
	MANUAL LOADING STATION
	INDICATING LIGHT
	PUSH BUTTON
	CMC SWITCH 2 POSITION
	CMC SWITCH 3 OR 4 POSITION

Copyright © Gore & Storrie Limited
JF480714 Plot-scale = 1:00
05-27-88 14 1/8 HU



NOTES

RECORD DRAWING

DATE: December 1988

SIGNED: [Signature]

CHECKED: [Signature]

DESIGNER: [Signature]

PROJECT MANAGER: [Signature]

DIVISION HEAD: [Signature]

REGISTERED PROFESSIONAL ENGINEER

P F DA SILVA

30/6/88

Gore & Storrie Limited

LEGEND OF SYMBOLS AND ABBREVIATIONS

GREATER NAPANEE WATER SUPPLY & POLLUTION CONTROL BOARD

NAPANEE W.P.C.P. UPGRADING CONTRACT 1-3 INSTRUMENTATION

Gore & Storrie Limited

Consulting Engineers & Architects

DATE: MAY 1988

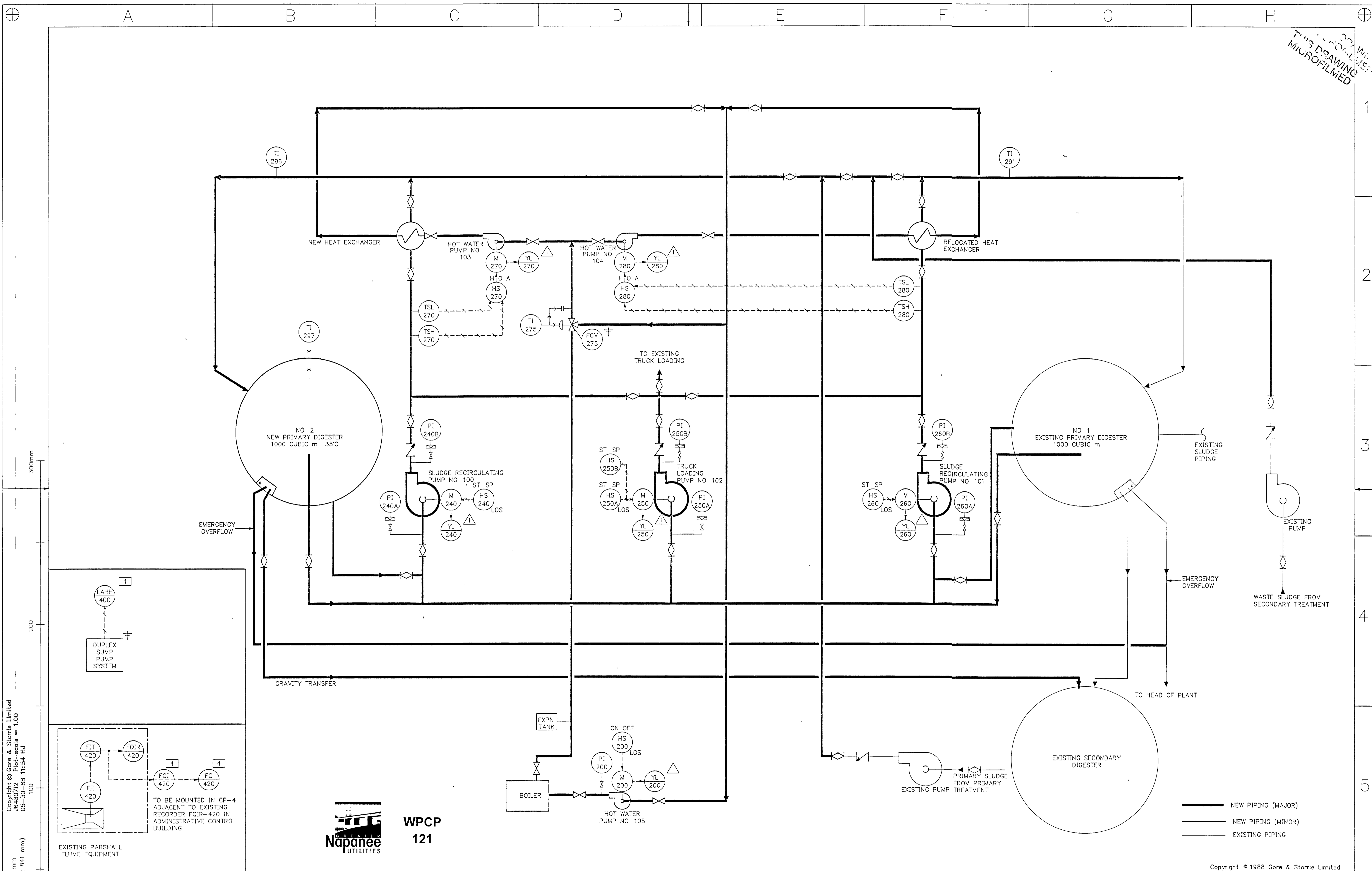
SCALE: NONE

FILE N°: 648 07-AI-05950

DRAWING N°: 1001

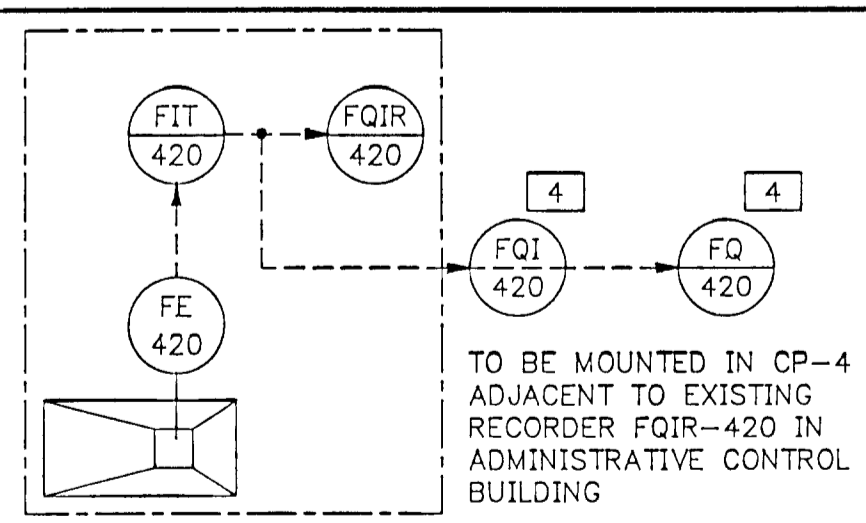
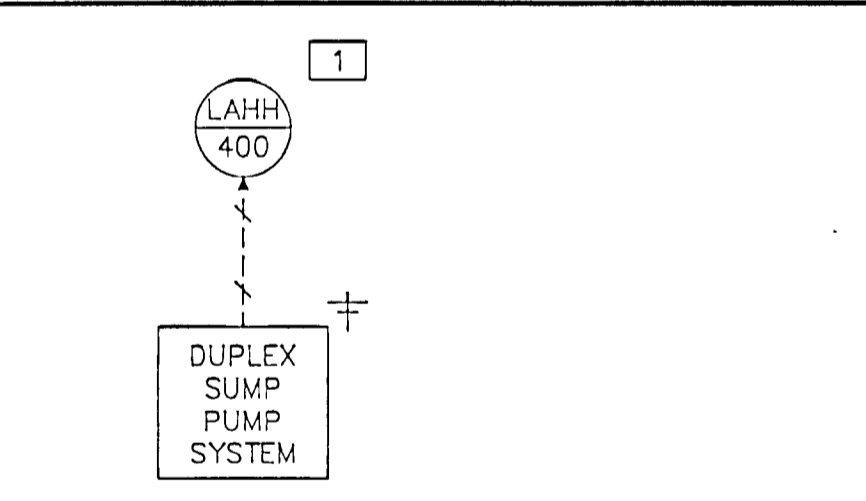
SUPERSEDES ALL DRAWINGS BEARING PREVIOUS REVISION NUMBERS

THIS DRAWING
MICROFILMED



Copyright © Gore & Storrie Limited
J6430712 Plot-scale = 1.00
05-30-88 11:54 HJ

FRAME SIZE 566 x 801 mm
DRAWING SIZE A1 (595 x 841 mm)



EXISTING PARSHALL FLUME EQUIPMENT



SLUDGE & DIGESTERS
P&ID

GREATER NAPANEE WATER SUPPLY
& POLLUTION CONTROL BOARD
NAPANEE W.P.C.P. UPGRADING
CONTRACT 1-3 INSTRUMENTATION

Gore & Storrie Limited **G&S**
Consulting Engineers & Architects

DATE	MAY 1988	FILE N°	648 07-A1-05951
SCALE	NONE	DRAWING N°	I002

NOTES

RECORD DRAWING

DESIGNER: *[Signature]*

PROJECT MANAGER: *[Signature]*

DATE: *December 1988*

SIGNED: *[Signature]*

CHECKED: *[Signature]*

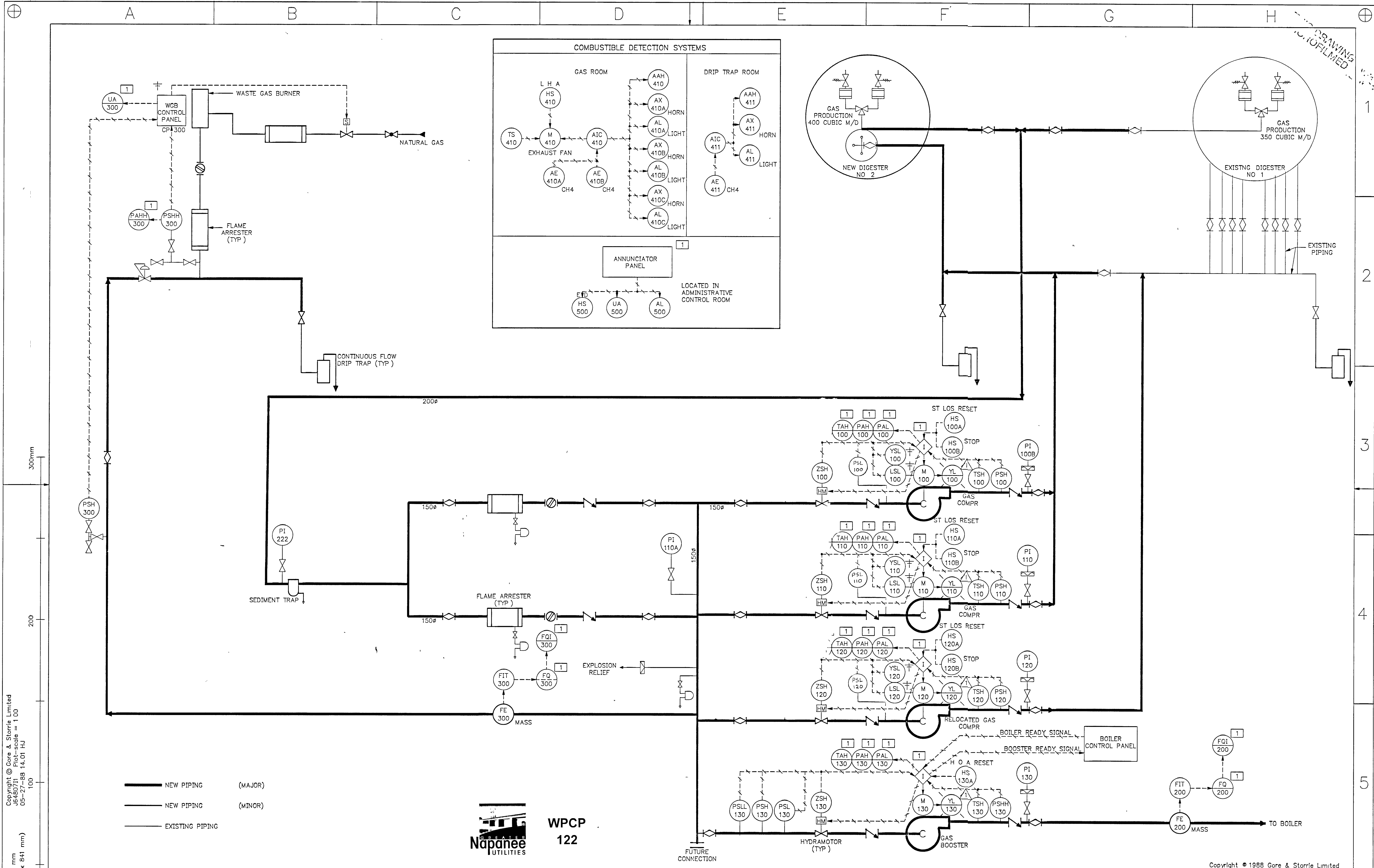
DESIGNER: *[Signature]*

PROJECT MANAGER: *[Signature]*

DIVISION HEAD: *[Signature]*

Copyright © 1988 Gore & Storrie Limited

SUPERSEDES ALL DRAWINGS BEARING PREVIOUS REVISION NUMBERS



Copyright © Gore & Storrie Limited
 J6460711 Plot-scale = 1:00
 05-27-88 14.01 HJ
 FRAME SIZE 566 x 801 mm
 DRAWING SIZE A1 (595 x 841 mm)

——— NEW PIPING (MAJOR)
 ——— NEW PIPING (MINOR)
 - - - - - EXISTING PIPING


WPCP
122

DIGESTER GAS P&ID

GREATER NAPANEE WATER SUPPLY &
 POLLUTION CONTROL BOARD
 NAPANEE W.P.C.P. UPGRADING
 CONTRACT 1-3 INSTRUMENTATION

Gore & Storrie Limited **GAS**
 Consulting Engineers & Architects
 DATE MAY 1988 FILE N# 648 07-AI-05952
 SCALE NONE DRAWING N# 1003

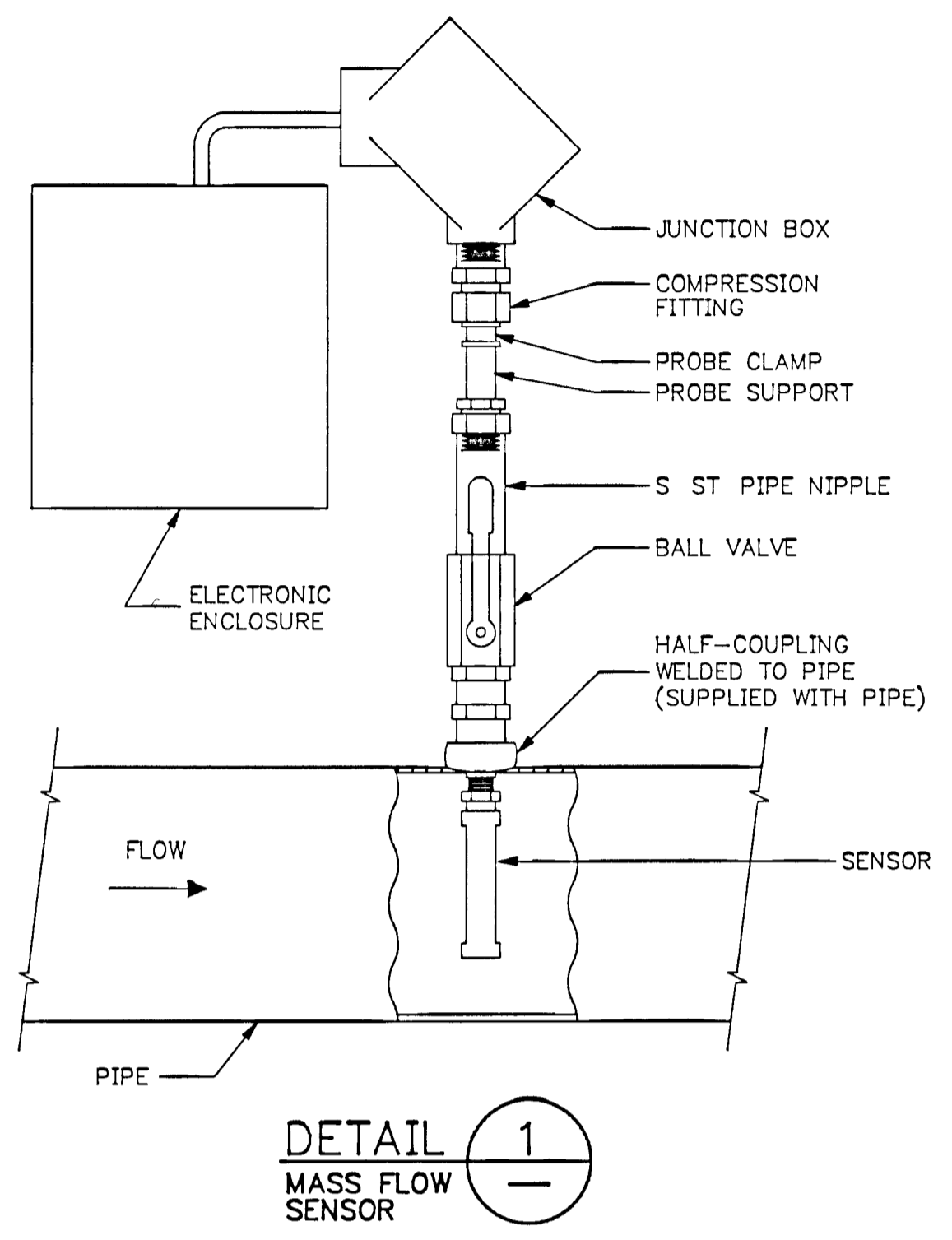
NOTES
 CHECKED [Signature]
 DESIGNER [Signature]
 PROJECT MANAGER [Signature]
 DIVISION HEAD [Signature]

REGISTERED PROFESSIONAL ENGINEER
 P. F. DA SILVA
 PROVINCE OF ONTARIO
 Gore & Storrie Limited

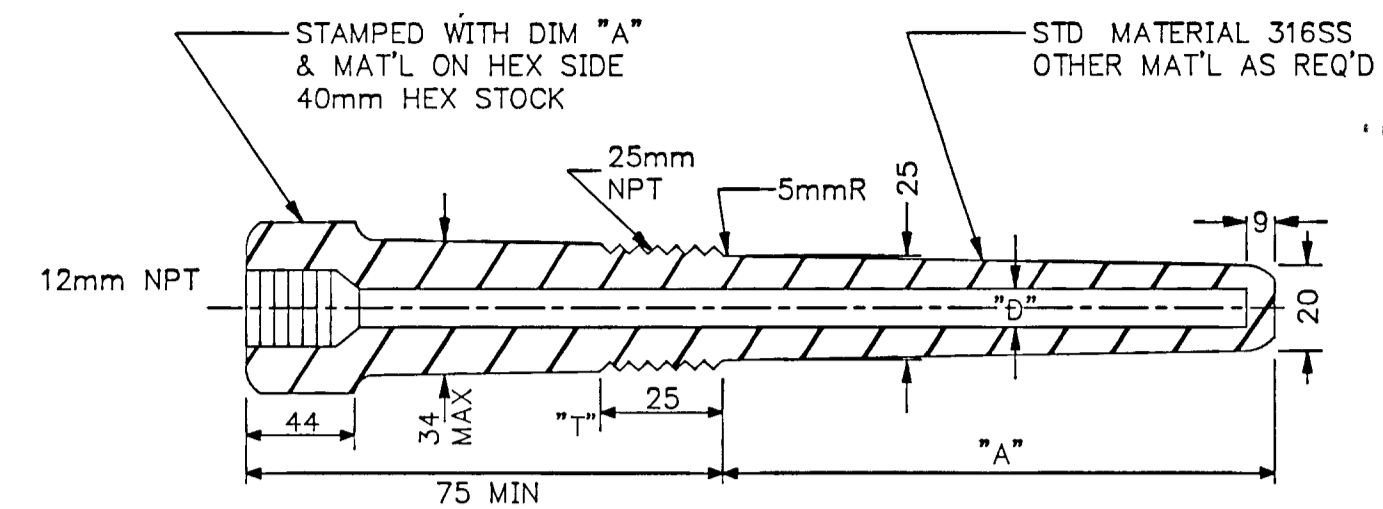
SUPERSEDES ALL DRAWINGS BEARING PREVIOUS REVISION NUMBERS

A B C D E F G H

THIS DRAWING IS UNCONTROLLED



DETAIL 1
MASS FLOW SENSOR



65mm LG NIPPLE

FOR ALL LINES 100mm AND LARGER

LINE SIZE	DIM "A"
20	150
25	150
40	150
50	150
75	150
100	90
150	150
200	150
250	200
300	200
350	300
500	300

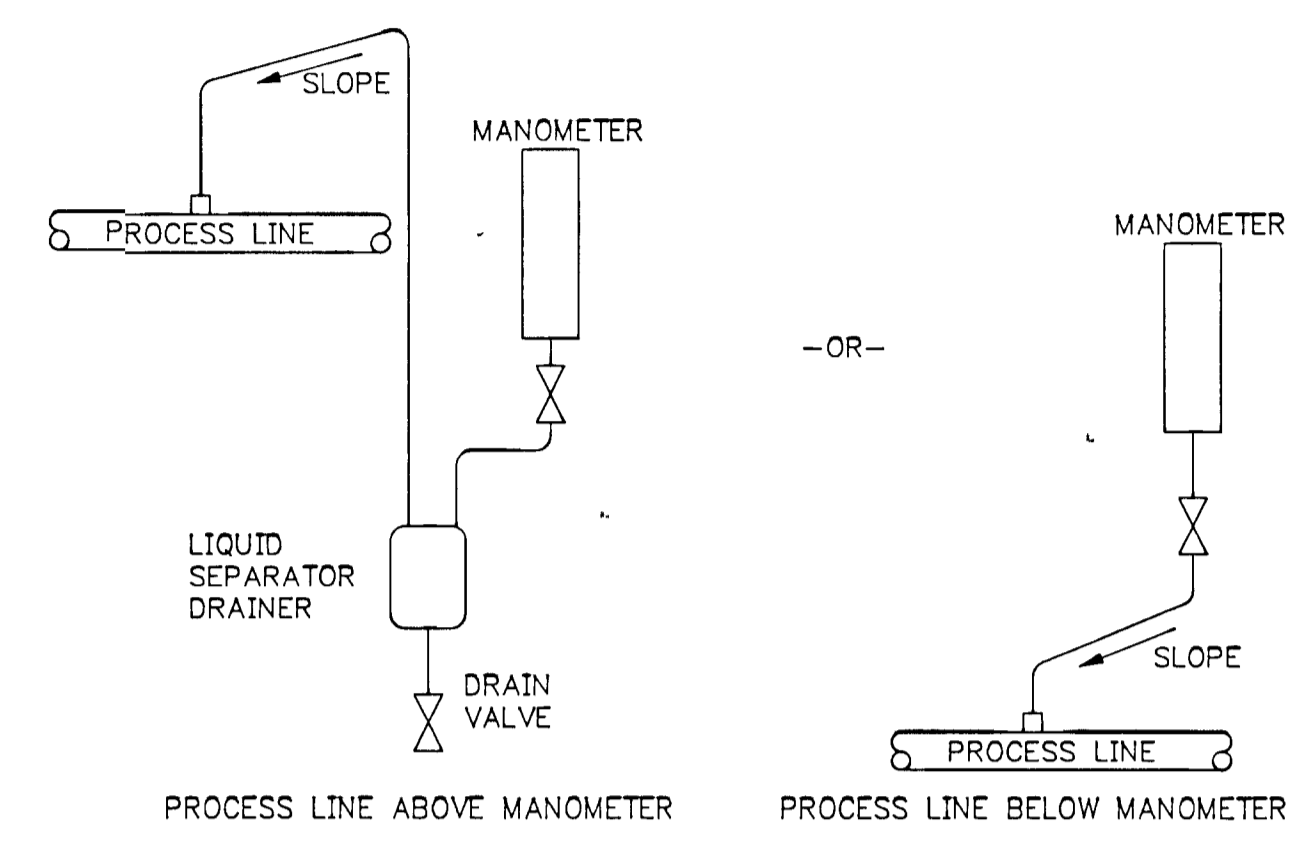
INSUL THKNESS DIM "A"

508LESS	75
75	90
100	115
130	140
150	165

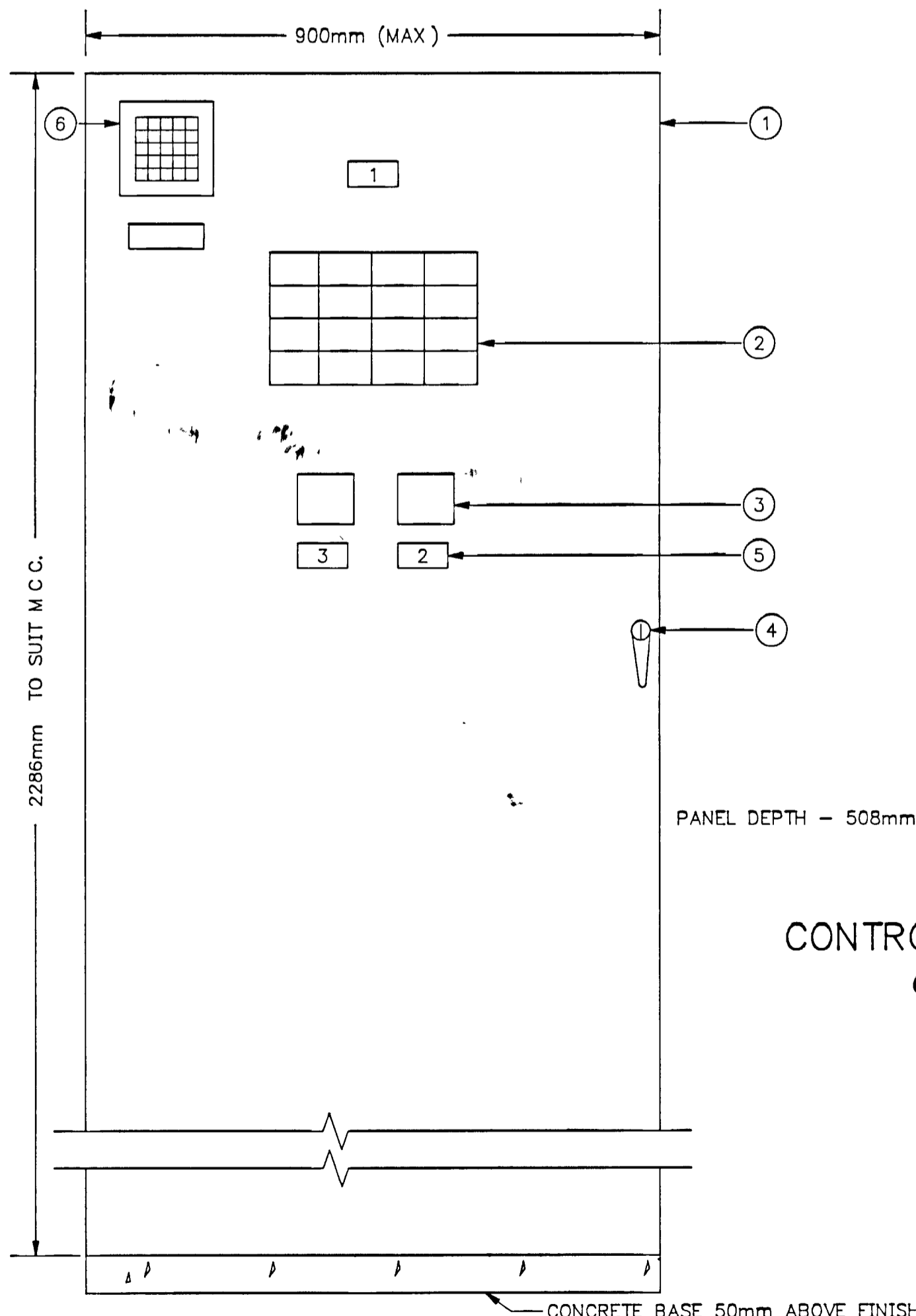
NOTE: DIMENSION 'D' TO BE 9mm Ø FOR THERMOCOUPLES & 13mm Ø FOR FILLED SYSTEM TEMPERATURE INSTRUMENTS UNLESS OTHERWISE NOTED

50mm & 75mm LINES

DETAIL 2
THERMOWELL



DETAIL 3
TYPICAL MANOMETER INSTALLATION



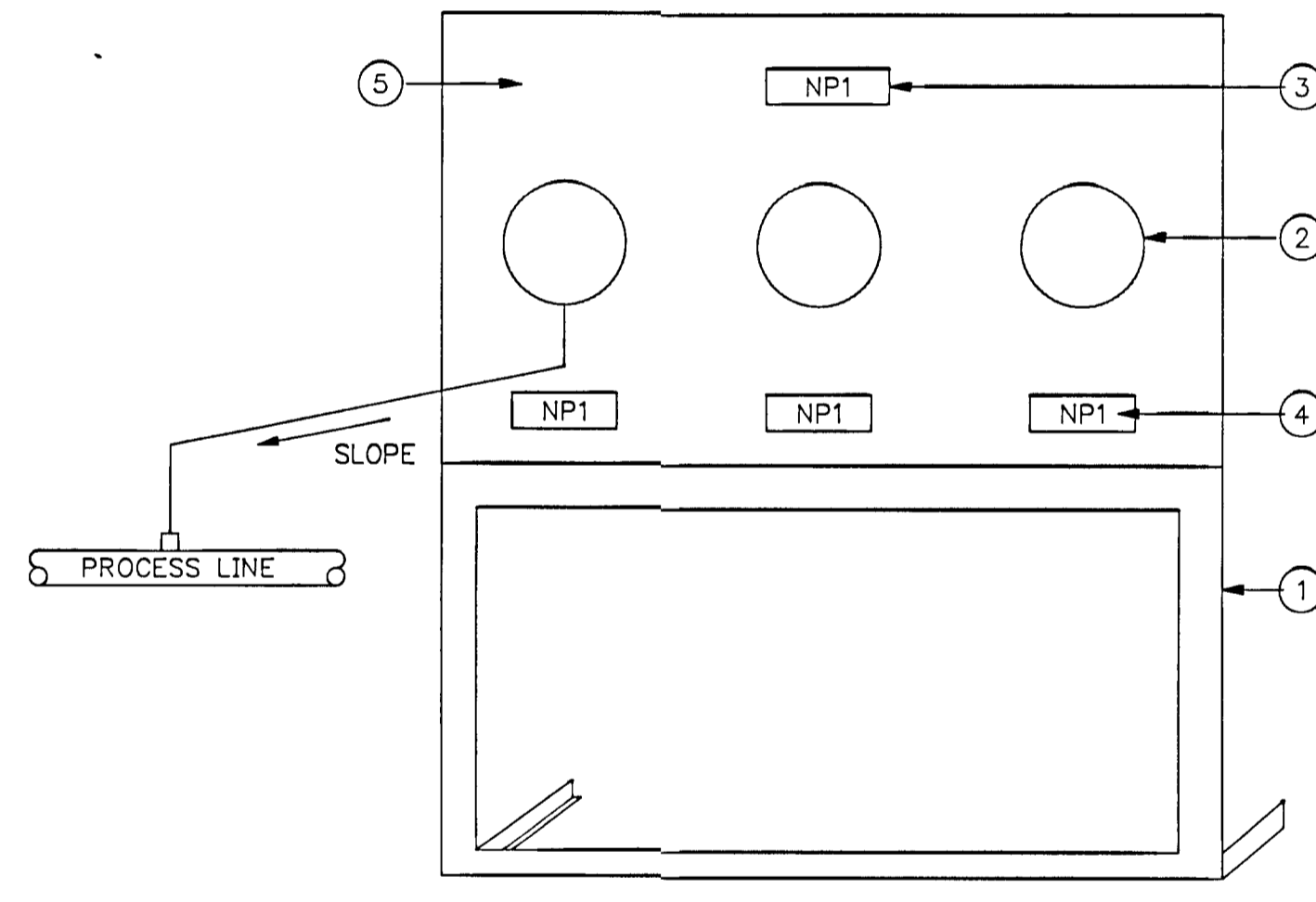
- EQUIPMENT SCHEDULE**
- ① SUBPANEL COMPLETE WITH RELAYS, TERMINAL BLOCKS AND ASSOCIATED HARDWARE
 - ② ALARM ANNUCIATOR
 - ③ INSTRUMENT INDICATOR
 - ④ MECHANICAL LOCKABLE HANDLE
 - ⑤ LAMACOID NAMEPLATE
 - ⑥ WARNING ALARM

- NAME PLATE SCHEDULE**
- N P NO NAME PLATE TO READ
- 1 CONTROL PANEL CP-1
 - 2 WASTE GAS BURNER DIGESTER GAS FLOW FQI-300
 - 3 BOILER DIGESTER GAS FLOW FQI-200

ANNUNCIATOR ALARM SCHEDULE

ROW	COLUMN	ALARM	TAG#	DESCRIPTION
1	1	A	PAL-100	GAS COMPRESSOR M-100 LOW SUCTION PRESSURE
1	1	B	PAH-100	GAS COMPRESSOR M-100 HIGH DISCHARGE PRESSURE
1	2	A	TAH-100	GAS COMPRESSOR M-100 HIGH DISCHARGE TEMPERATURE
1	2	B	-	-
1	3	A	-	-
1	3	B	-	-
1	4	A	AAH-410	GAS ROOM HIGH COMBUSTIBLE CONCENTRATION
1	4	B	AAH-411	DRIP TRAP ROOM HIGH COMBUSTIBLE CONCENTRATION
2	1	A	PAL-110	GAS COMPRESSOR M-110 LOW SUCTION PRESSURE
2	1	B	PAH-110	GAS COMPRESSOR M-110 HIGH DISCHARGE PRESSURE
2	2	A	TAH-110	GAS COMPRESSOR M-110 HIGH DISCHARGE TEMPERATURE
2	2	B	-	-
2	3	A	-	-
2	3	B	-	-
2	4	A	PAHH-300	WASTE GAS BURNER LINE BLOCKAGE
2	4	B	UA-300	WASTE GAS BURNER COMMON ALARM
3	1	A	PAL-120	GAS COMPRESSOR M-120 LOW SUCTION PRESSURE
3	1	B	PAH-120	GAS COMPRESSOR M-120 HIGH DISCHARGE PRESSURE
3	2	A	TAH-120	GAS COMPRESSOR M-120 HIGH DISCHARGE TEMPERATURE
3	2	B	-	-
3	3	A	-	-
3	3	B	-	-
3	4	A	LAHH-400	SUMP PUMP LEVEL OVERFLOW
3	4	B	-	-
4	1	A	PAL-130	GAS BOOSTER M-130 LOW SUCTION PRESSURE
4	1	B	PAH-130	GAS BOOSTER M-130 HIGH DISCHARGE PRESSURE
4	2	A	TAH-130	GAS BOOSTER M-130 HIGH DISCHARGE TEMPERATURE
4	2	B	-	-
4	3	A	-	-
4	3	B	-	-
4	4	A	-	-
4	4	B	-	-

CONTROL PANEL CP-1



CONTROL PANEL CP-5 (CP-6, CP-7, CP-8)

- EQUIPMENT SCHEDULE**
- ① SUPPORT STRUCTURE-ALUMINUM
 - ② PRESSURE OR TEMPERATURE SWITCH
 - ③ LAMICOID NAMEPLATE
 - ④ TAG NUMBERS TO INDICATE AS APPLIED
 - ⑤ ALUMINUM BACKPLATE

- NOTES**
- 1 PRESSURE TAP ON PROCESS LINE IS TO BE ON THE TOP OF A HORIZONTAL LINE
 - 2 PRESSURE SENSING LINES ARE TO BE SLOPED BACK TO PROCESS LINE SO AS NOT TO CREATE WATER POCKETS
 - 3 PRESSURE SWITCH IS TO BE AT A HIGHER ELEVATION THAN THE PRESSURE TAP

CONTROL PANEL	EEMAC TYPE	MOUNTING	SERVICE	DETAIL DRAWING
CP-1	12	FLOOR	MAIN CONTROL PANEL	I004
CP-2	12	WALL	DUPLEX SUMP PUMP	E004
CP-3	12	WALL	GAS ROOM CONTROLS	E005
CP-4	12	WALL	PARSHALL FLUME ADMIN C ROOM	-
CP-5	-	FLOOR	GAS COMPRESSOR M-100	I004
CP-6	-	FLOOR	GAS COMPRESSOR M-110	I004
CP-7	-	FLOOR	GAS COMPRESSOR M-120	I004
CP-8	-	FLOOR	GAS BOOSTER M-130	I004



Copyright © 1988 Gore & Storrie Limited

Copyright © Gore & Storrie Limited
J6480713 Plot-scale = 1:00
05-27-88 16 55 HJ
FRAME SIZE 566 x 801 mm
DRAWING SIZE A1 (595 x 841 mm)

NOTES

RECORD DRAWING DATE: DECEMBER 1988 SIGNED: [Signature]

CHECKED: [Signature] DESIGNER: [Signature]

DESIGNED BY: V POLYAKOVA DATE: 10/05/88

PROJECT MANAGER: [Signature] DIVISION HEAD: [Signature]

Gore & Storrie Limited

CONTROL PANEL & INSTALLATION DETAIL

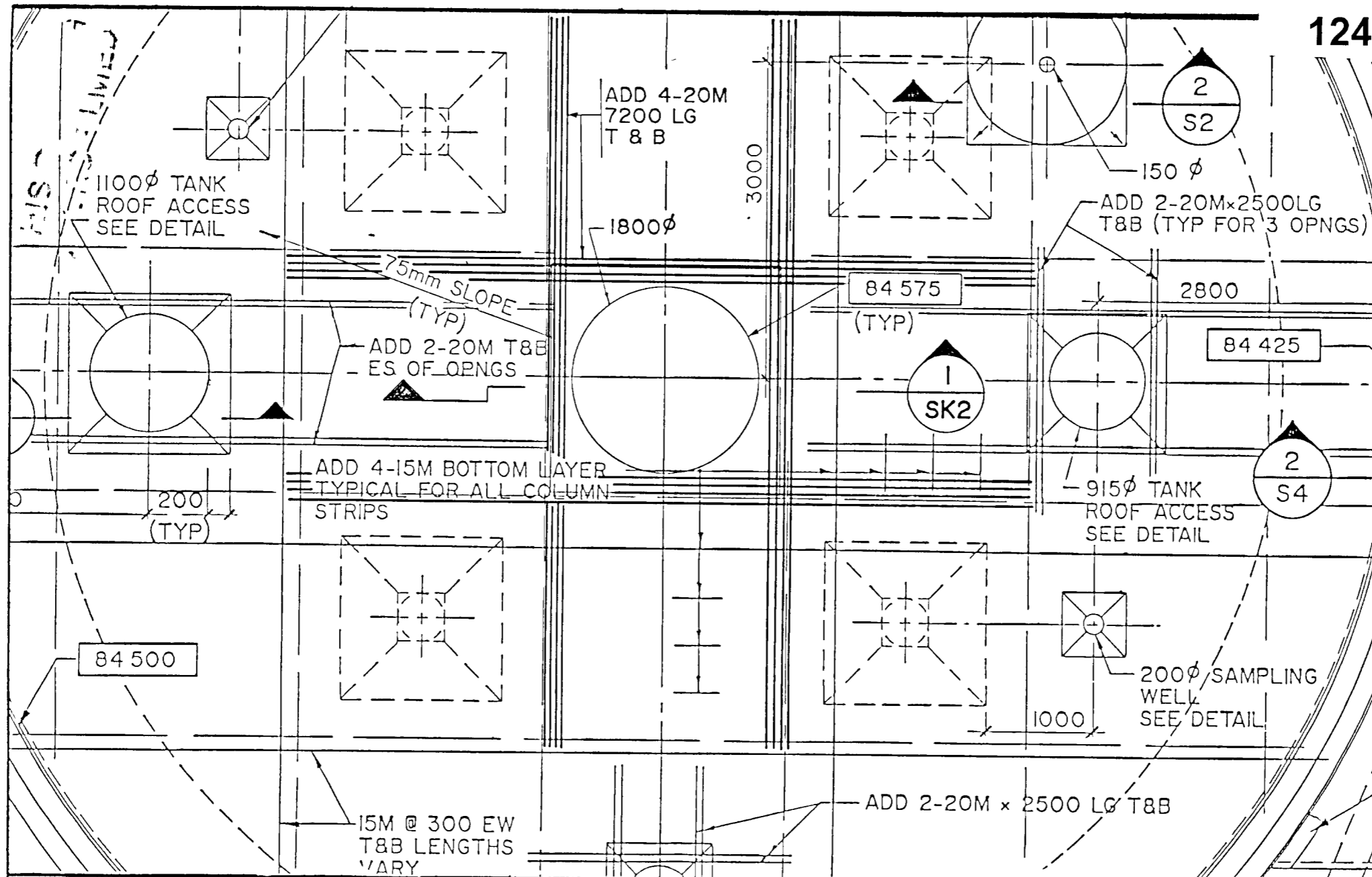
GREATER NAPANEE WATER SUPPLY & POLLUTION CONTROL BOARD

NAPANEE W.P.C.P. UPGRADING
CONTRACT 1-3 INSTRUMENTATION

Gore & Storrie Limited Consulting Engineers & Architects

DATE: MAY 1988 FILE N°: 648 07-AI-05953
SCALE: NONE DRAWING N°: I004

SUPERSEDES ALL DRAWINGS BEARING PREVIOUS REVISION NUMBERS

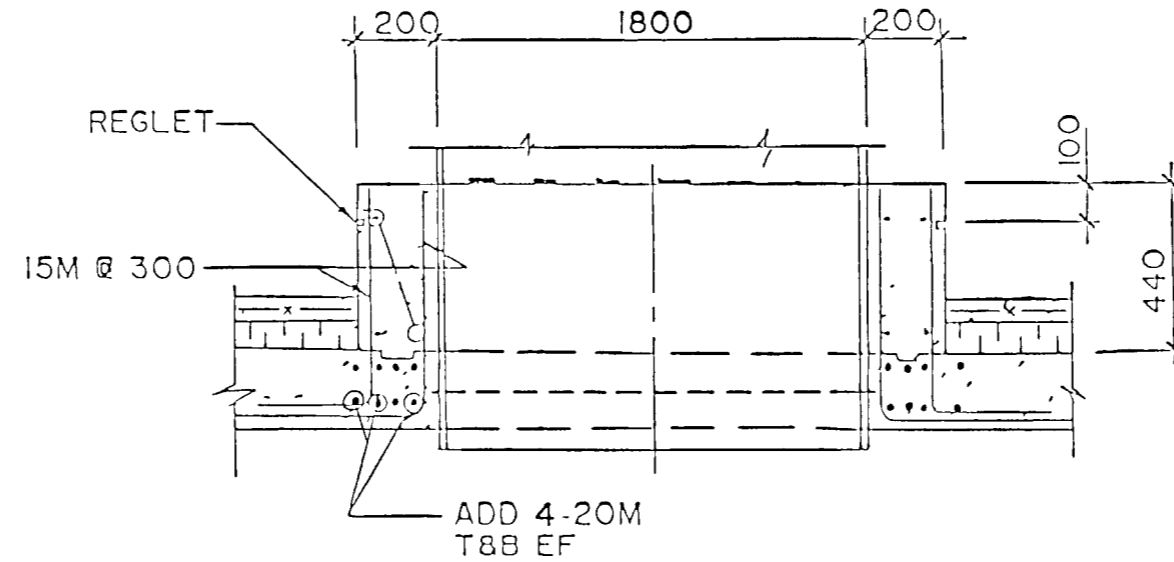


DATE	SEPT 1988
SCALE	1 : 50

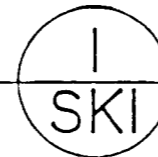
NAPANEE WPCP UPGRADING
 REVISED DETAIL OF OPENING AT
 CENTER OF DIGESTION TANK

Gore & Storrie Limited **G&S**
 Consulting Engineers & Architects

FILE No
 648 07-A4-01544
 DWG SKI



SECTION
N.T.S



WPCP
125

THIS DRAWING
MICROFILMED

DATE SEPT 1988	NAPANEE WPCP UPGRADING REVISED DETAIL OF OPENING AT CENTER OF DIGESTION TANK	Gore & Storrrie Limited G&S	FILE No 648 07-A4-01545
SCALE N.T.S		Consulting Engineers & Architects	DWG SK2



GREATER NAPANEE WATER SUPPLY AND POLLUTION CONTROL BOARD

PROPOSED W.P.C.P. OUTFALL REPLACEMENT (NAPANEE)

G.N.W.S. & P.C.B. FILE No. 5350-9201

CONTRACT No. 192022 AS BUILT - SEPTEMBER, 1994.



Ainley and Associates Limited

Consulting Engineers and Planners
Collingwood - Barrie - Belleville - Ottawa

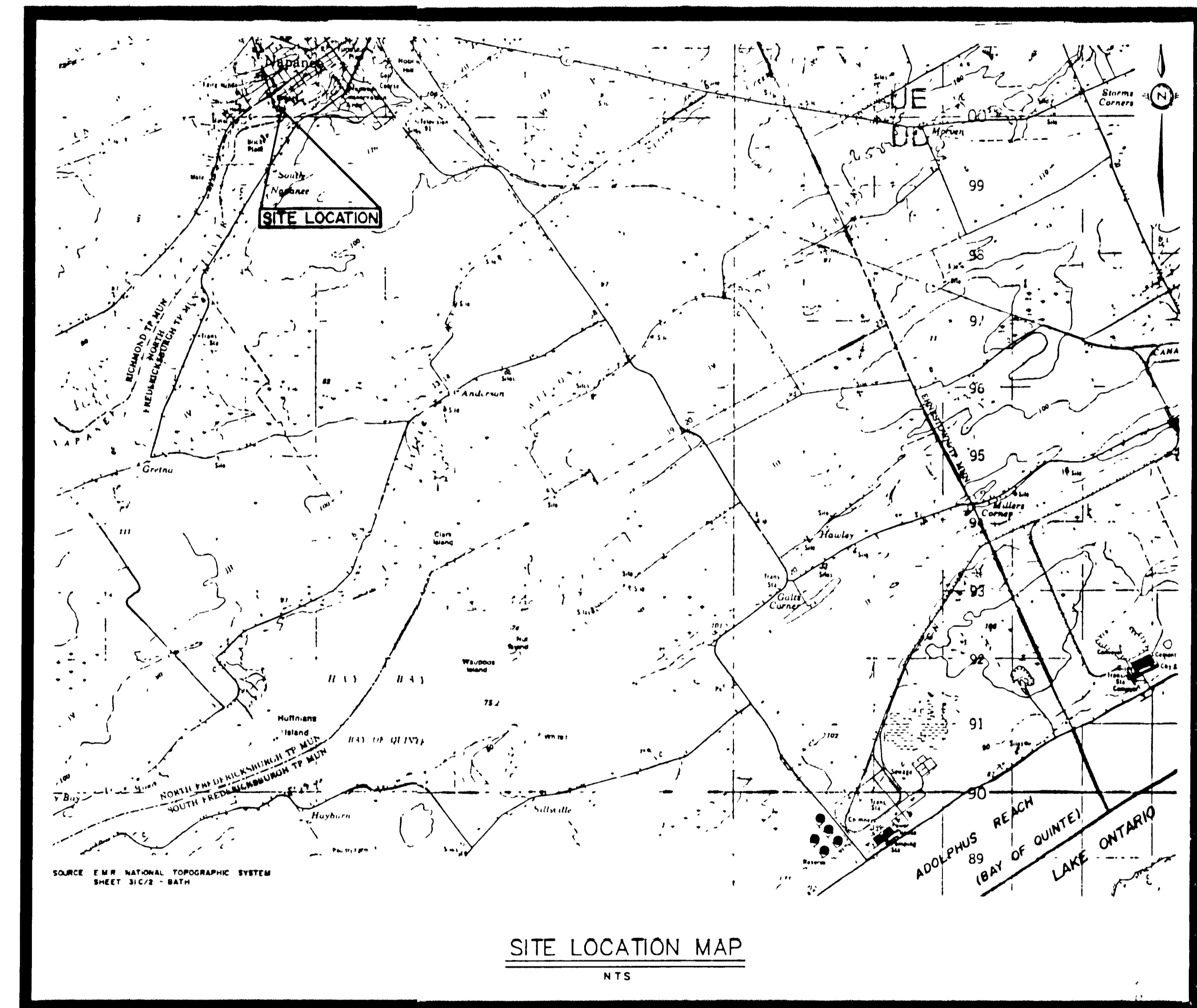


**WPCP
126**


GREATER NAPANEE WATER SUPPLY AND POLLUTION CONTROL BOARD		
PROJECT	5350-9201 WPCP OUTFALL REPLACEMENT COVER SHEET	
APPROVED BY	MGC	SPECIFICATIONS NONE
DESIGNED BY	AINLEY & ASSOCIATES LTD	DATE FEB 1993
DRAWN BY	AINLEY & ASSOCIATES LTD	SCALE
DWG No WPCP 1993/1 - No 0a/5		

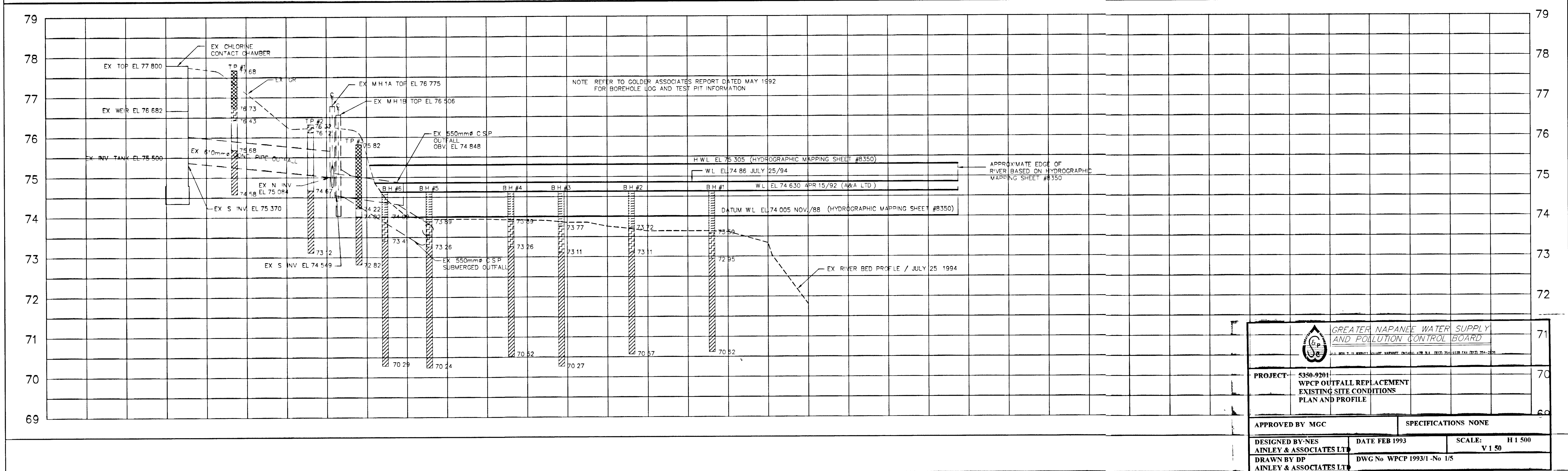
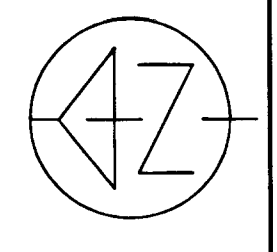
INDEX

DWG. No.	TITLE
	COVER
	INDEX / SITE LOCATION PLAN
	PROPOSED OUTFALL
192022-SP1	EXISTING SITE CONDITIONS
192022-SP2	PROPOSED W.P.C.P. OUTFALL REPLACEMENT
	DETAILS
192022-D1	DETAILS
192022-D2	DETAILS
192022-D3	DETAILS



WPCP
127

 GREATER NAPANEE WATER SUPPLY AND POLLUTION CONTROL BOARD <small>P.O. BOX 11 MARKET SQUARE NAPANEE, ONTARIO L7M 3K4 (519) 354-5332 FAX (519) 354-2276</small>		
PROJECT 5350-9201 WPCP OUTFALL REPLACEMENT INDEX SHEET		
APPROVED BY MGC	SPECIFICATIONS	NONE
DESIGNED BY NES AINLEY & ASSOCIATES LTD.	DATE FEB 1993	SCALE
DRAWN BY DP AINLEY & ASSOCIATES LTD.	DWG No WPCP 1993/1 - No 05	



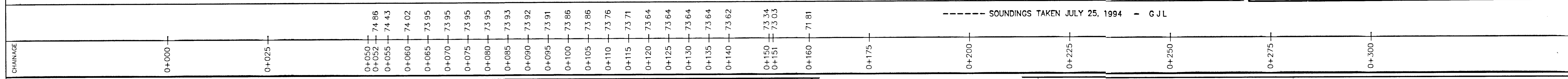
GREATER NAPANEE WATER SUPPLY AND POLLUTION CONTROL BOARD

PROJECT: 5350-9201
WPCP OUTFALL REPLACEMENT EXISTING SITE CONDITIONS PLAN AND PROFILE

APPROVED BY MGC SPECIFICATIONS NONE

DESIGNED BY: NES DATE FEB 1993 SCALE: H 1 500
AINLEY & ASSOCIATES LTD V 1 50

DRAWN BY: DP DWG No WPCP 1993/1-NO 1/5
AINLEY & ASSOCIATES LTD



LEGEND

- WATER
- ORGANIC SILT (TOPSOIL)
- SILTY CLAY
- SAND
- SILTY SAND

B.M. ELEV. 77.800
 N.W. CORNER OF CHLORINE CONTACT CHAMBER, NAPANEE POLLUTION PLANT

FOR PROPERTY LINE INFORMATION REFER TO PLAN OF SURVEY 29R-6206, D. EBERHARDT SURVEYING LTD. FOR DETAILED DESCRIPTION OF EXISTING SUBSURFACE CONDITIONS, REFER TO GOLDER ASSOCIATES REPORT DATED MAY 1992.

NO.	REVISIONS	DATE	INITIAL
1	AS BUILT	SEPT /94	G.J.L.

Napanee UTILITIES

WPCP 128

GREATER NAPANEE WATER SUPPLY AND POLLUTION CONTROL BOARD

NAPANEE W.P.C.P. OUTFALL REPLACEMENT

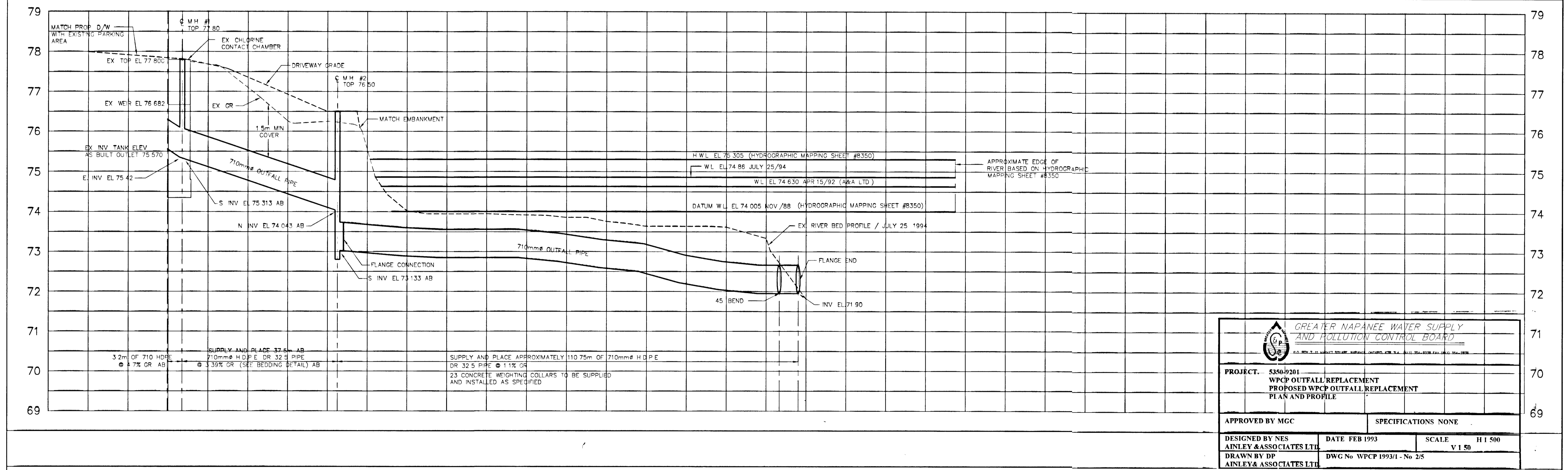
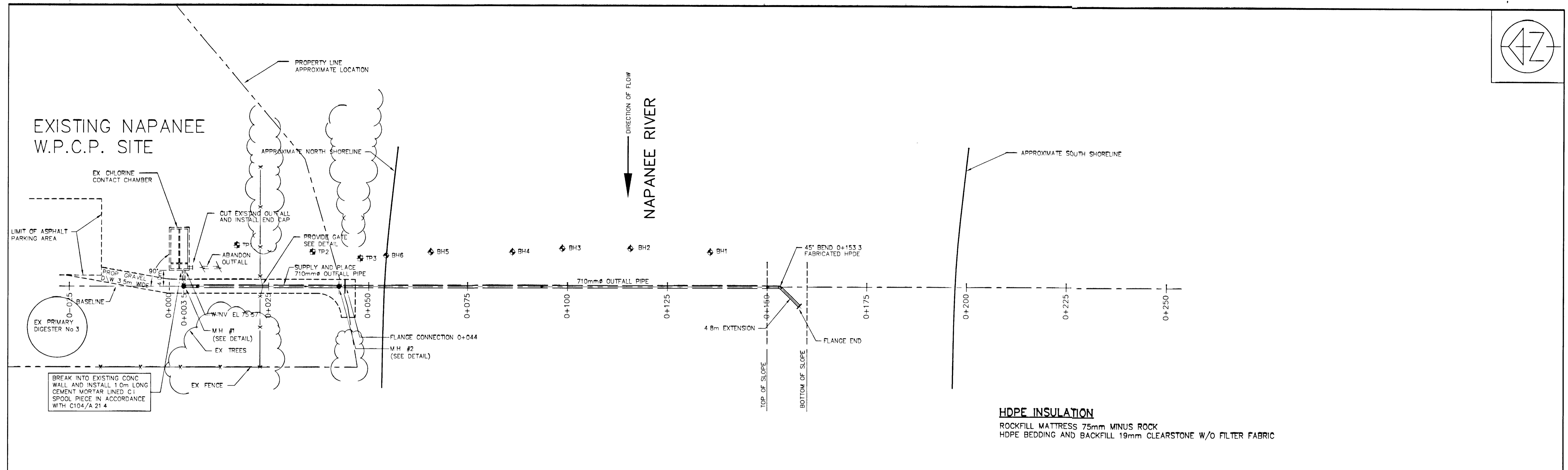
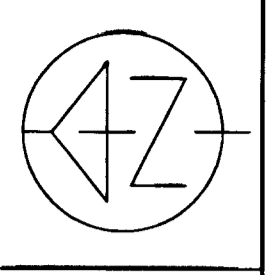
EXISTING SITE CONDITIONS
 PLAN AND PROFILE

Ainley and Associates Limited
 Consulting Engineers and Planners
 Collingwood - Barrie - Belleville - Ottawa

SCALE: HORIZ 1 500, VERT 1 50

DESIGN: N.E.S. CHECKED: C.K.K.
 DRAWN: D.P. DATE: FEB 1993

DWG. 192022-SP1



LEGEND	MH #1	B.M. ELEV. 77.800 N.W. CORNER OF CHLORINE CONTACT CHAMBER NAPANEE POLLUTION PLANT	AS BUILTS	SEPT /94	G J L
	MH #2 FLANGE		NO	REVISIONS	DATE INITIAL

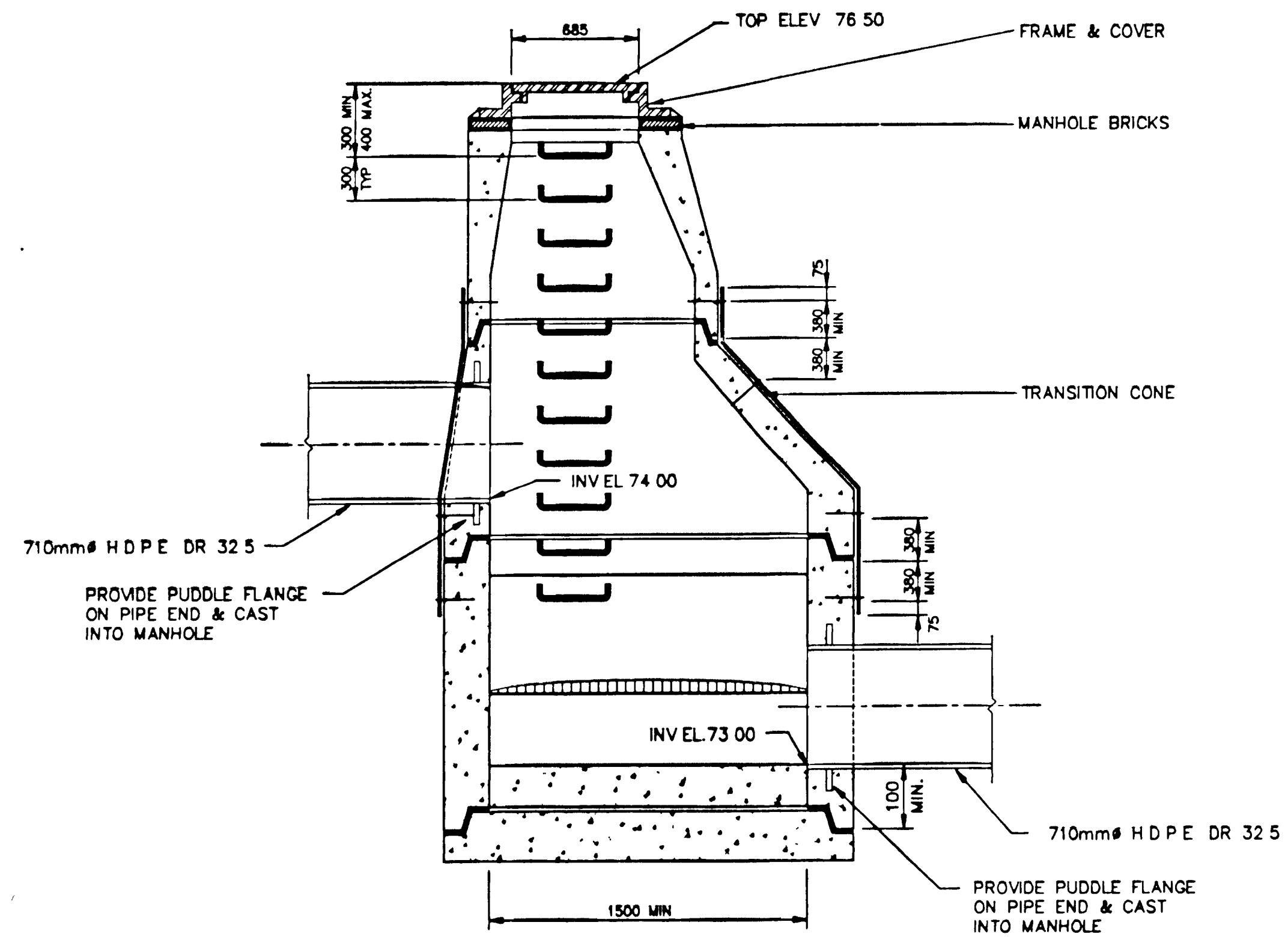
WPCP 129

GREATER NAPANEE WATER SUPPLY AND POLLUTION CONTROL BOARD
NAPANEE W.P.C.P. OUTFALL REPLACEMENT

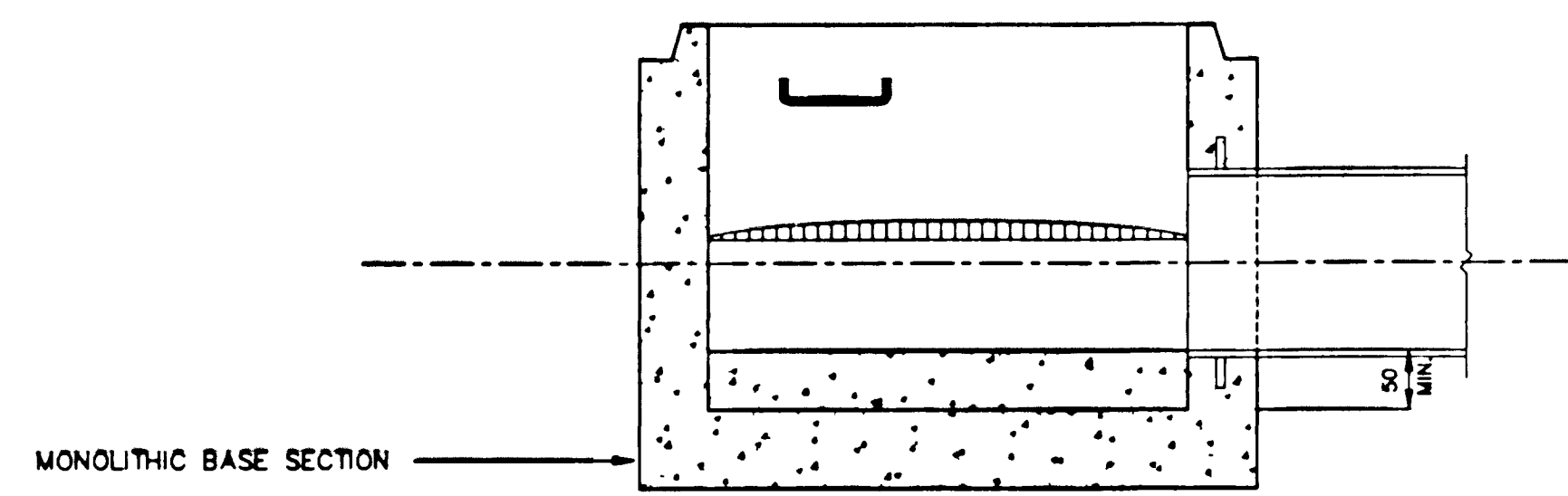
Ainley and Associates Limited
Consulting Engineers and Planners
Collingwood - Barrie - Belleville - Ottawa

SCALE HORIZ 1 500 VERT 1 50		CHECKED C K K		DWG. 192022-SP2
DESIGN N E S	DATE FEB 1993	DATE FEB 1993		
DRAWN D P				

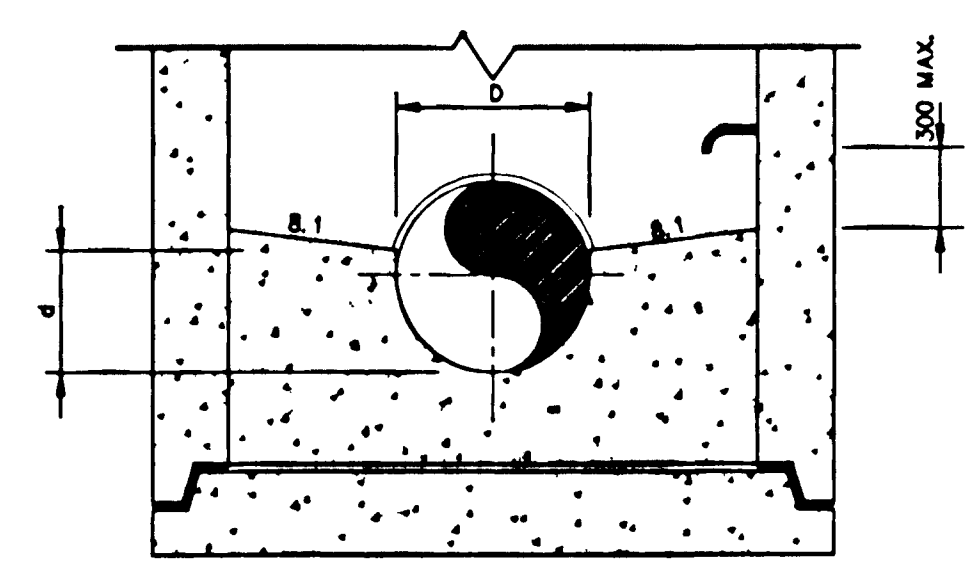
FOR PROPERTY LINE INFORMATION REFER TO PLAN OF SURVEY 29R-6206, D EBERHARDT SURVEYING LTD FOR DETAILED DESCRIPTION OF EXISTING SUBSURFACE CONDITIONS, REFER TO GOLDER ASSOCIATES REPORT DATED MAY 1992



1500 PRECAST CONCRETE MANHOLE
(PRECAST BASE SLAB, A MONOLITHIC BASE SECTION MAY BE USED)



1500 PRECAST CONCRETE MANHOLE
(PRECAST MONOLITHIC BASE)



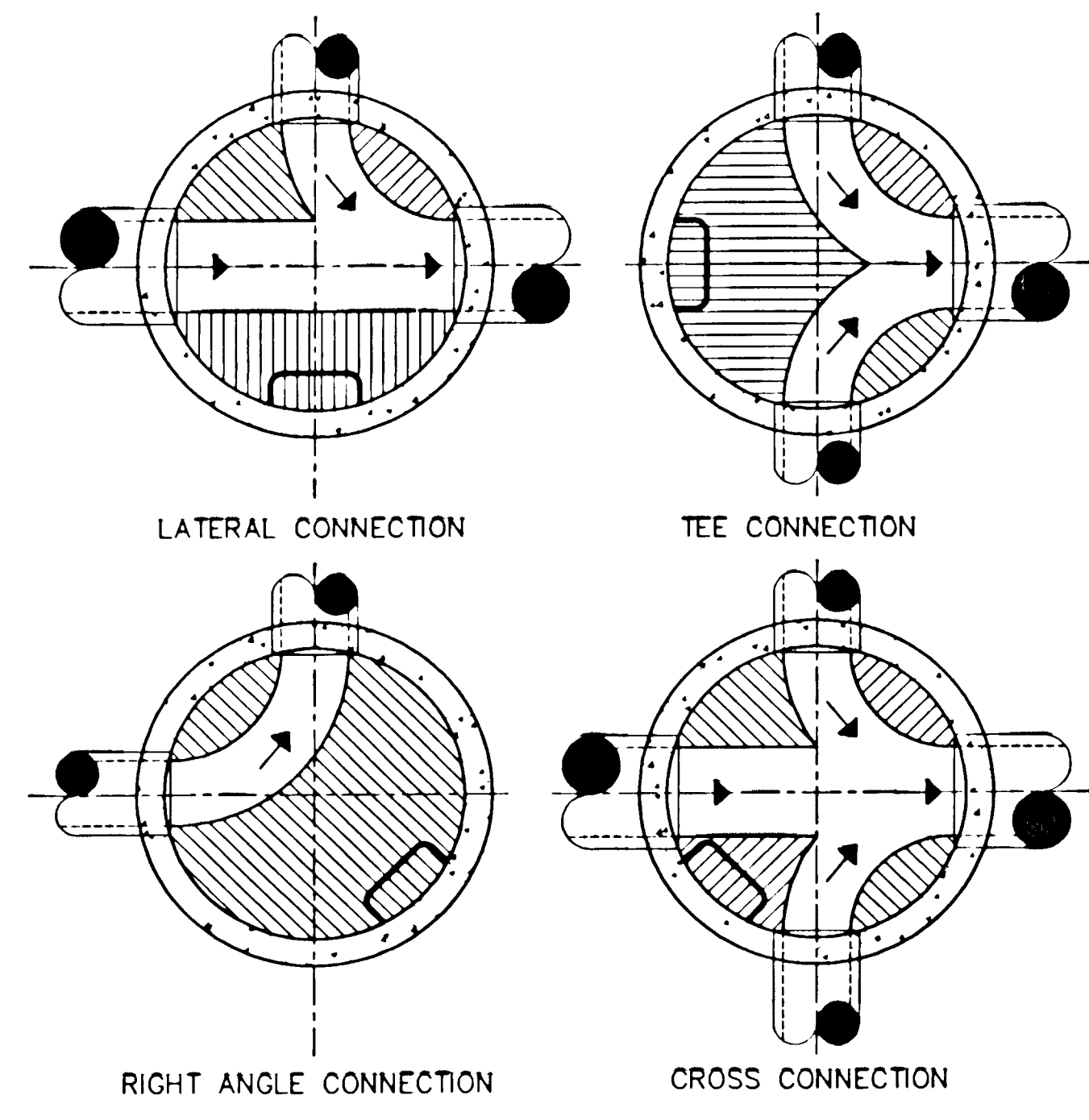
1500 PRECAST CONCRETE MANHOLE
(PRECAST BASE SLAB)

NOTES


- 1 MANHOLE FRAME AND COVER TO BE CANNON LH 579 WITH LIFTING HOLES
- 2 JOINTS OF PRECAST SECTIONS TO HAVE WATERTIGHT GASKETS AS PER ASTM C-443 OR D-1056 OR APPROVED EQUAL
- 3 ALL EXTERIOR HOLES AND JOINTS SHALL BE PARGED USING AN APPROVED MORTAR COMPOUND
- 4 PRECAST SECTIONS AS PER ASTM C-478
- 5 ARRANGEMENTS FOR KEYING PRECAST SECTIONS INTO BASE MAY VARY PROVIDED DIMENSIONS AND APPROVALS OF ENGINEER ARE ADHERED TO
- 6 MANUFACTURER OF REINFORCED PRECAST MANHOLE SECTIONS, BASE VARIATIONS OF UPPER BARREL SECTION MUST BE APPROVED BY THE ENGINEER
- 7 STEPS TO BE ALUMINUM SAFETY RINGS COATED WITH BITUMINOUS PAINT WHERE IN DIRECT CONTACT WITH CONCRETE
- 8 STEPS TO BE LOCATED AT 300 mm CENTRES AND SHALL NOT BE LOCATED OVER ANY PIPES
- 9 MANHOLE FRAME TO BE GROUTED TO BRICKWORK
- 10 MANHOLE FRAME TO BE SET ON MINIMUM 3 COURSES, MAXIMUM 8 COURSES OF 200 mm TAPERED HARD BURNED SEWER CONING BRICK PARGED TO 8 mm MINIMUM THICKNESS
- 11 MODULOC MANHOLE FRAME ADJUSTERS MAY BE USED INSTEAD OF SEWER BRICK
- 12 PIPE TO BE GROUTED INTO PRECAST SECTION WITH NON-SHRINK GROUT
- 13 BENCHING TO BE 25 MPa CONCRETE BENCHING TO HAVE WOOD FLOAT FINISH CHANNELS TO HAVE STEEL TROWEL FINISH
- 14 BENCHING SHALL EXTEND TO ALL OPENINGS FOR FUTURE CONNECTIONS
- 15 BENCHING TO BE AS FOLLOWS: UP TO 300 mm DIA - $d = \frac{D}{2}$
OVER 300 mm DIA - $d = \frac{3D}{4}$
- 16 SAFETY CHAINS SHALL BE PROVIDED OVER DOWNSTREAM PIPE FOR SEWERS OF 1200 mm DIA OR GREATER, AS APPROVED BY THE ENGINEER
- 17 25 mm DIA DRAGGING HOOKS SHALL BE PROVIDED 100 mm ABOVE BOTH INCOMING AND OUTGOING PIPES AS APPROVED BY THE ENGINEER, FOR SEWERS 1200 mm DIA OR GREATER
- 18 PRECAST BASES TO BE LAID ON 150 mm MINIMUM LAYER OF 19 mm CRUSHED STONE
- 19 TWO 51 x 8 mm FROST STRAPS PER MANHOLE SHALL BE PROVIDED AND INSTALLED WITH 25 mm DIA BOLTS AS SHOWN FROST STRAPS SHALL BE ON OPPOSITE SIDES OF MANHOLE, END OF BOLTS THAT PROJECT INTO MANHOLE INTERIOR SHALL BE GROUTED OVER ALL AS APPROVED BY THE ENGINEER

MANHOLE INSIDE DIA MILLIMETRES	MAX PIPE SIZE FOR STRAIGHT THROUGH INSTALLATION	MAX PIPE SIZE FOR RIGHT ANGLE INSTALLATION
1 200	600	450
1 500	825	600
1 800	1050	825
2 400	1500	1050

MAXIMUM PIPE SIZES FOR PRECAST MANHOLES





PLAN VIEWS OF MANHOLE BENCHING



GREATER NAPANEE WATER SUPPLY AND POLLUTION CONTROL BOARD
 P.O. BOX 7 11 MARKET SQUARE, NAPANEE, ONTARIO L7R 3K4 (519) 354-1338 FAX (519) 354-3578

PROJECT NO. 5350-9201	WPCP OUTFALL REPLACEMENT DETAILS
APPROVED BY MGC	SPECIFICATIONS NONE
DESIGNED BY NES	DATE FEB 1993
ATINLEY & ASSOCIATES LTD	SCALE
DRAWN BY DP	DWG No WPCP 1993/1 - No 3/5
ATINLEY & ASSOCIATES LTD	

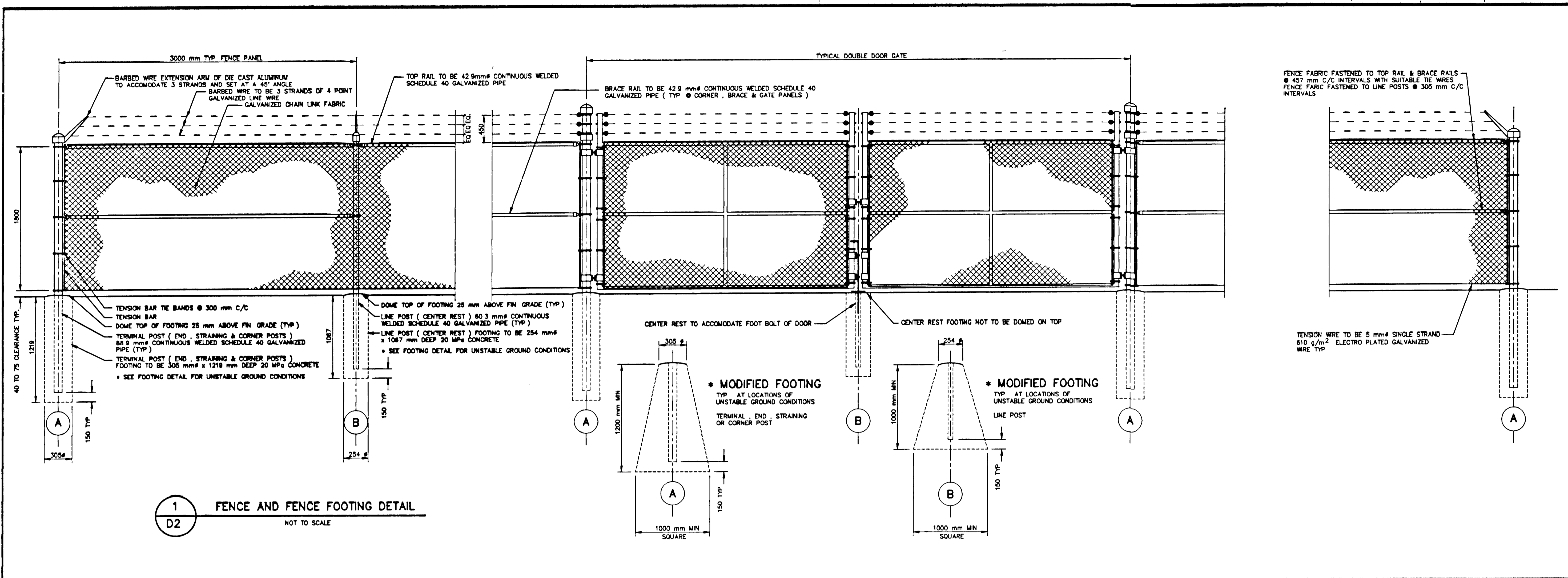
NO	REVISIONS	DATE	INITIAL


WPCP 130

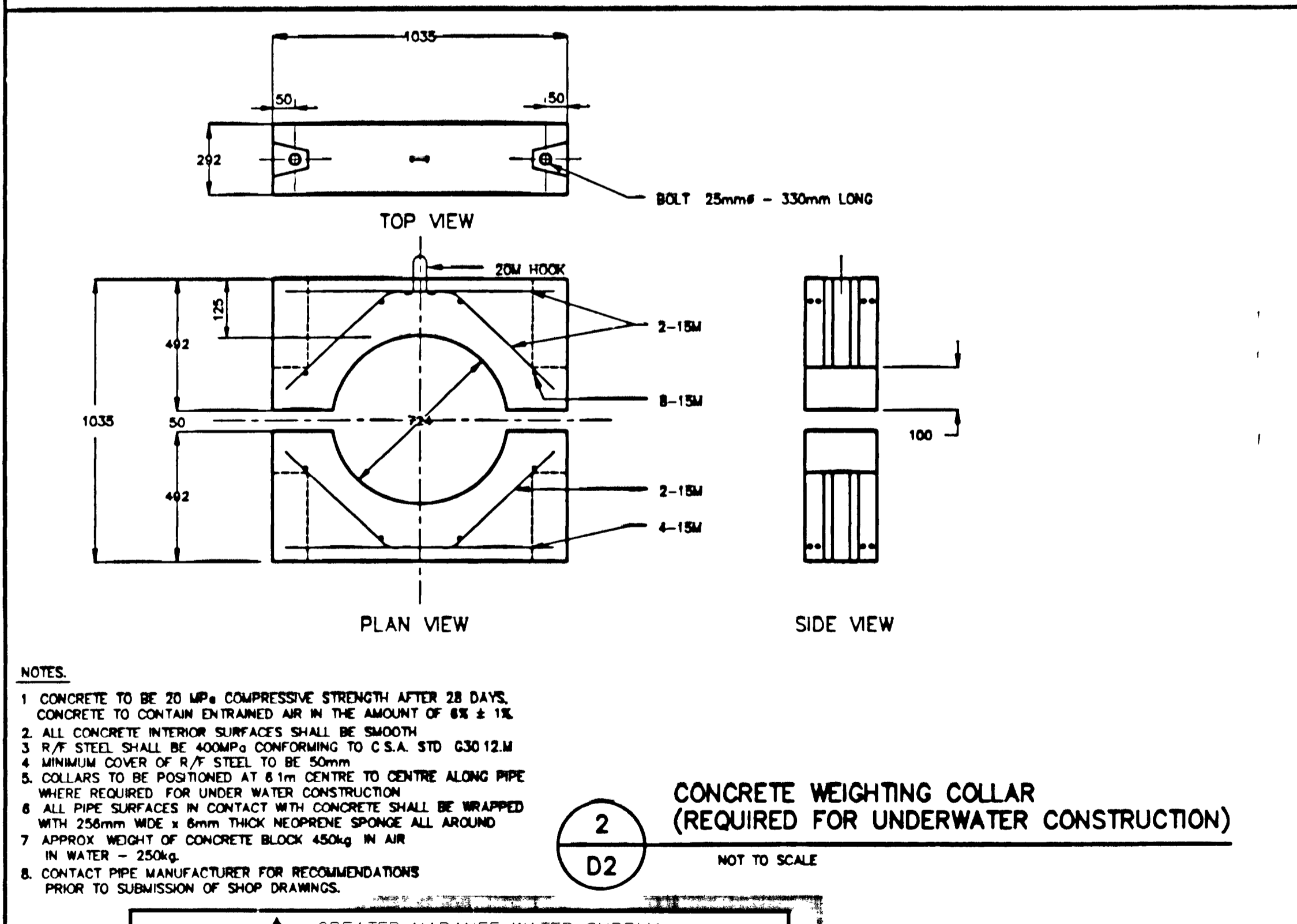

GREATER NAPANEE WATER SUPPLY AND POLLUTION CONTROL BOARD
 NAPANEE W.P.C.P. OUTFALL REPLACEMENT


Atinley and Associates Limited
 Consulting Engineers and Planners
 Collingwood - Barrie - Belleville - Ottawa

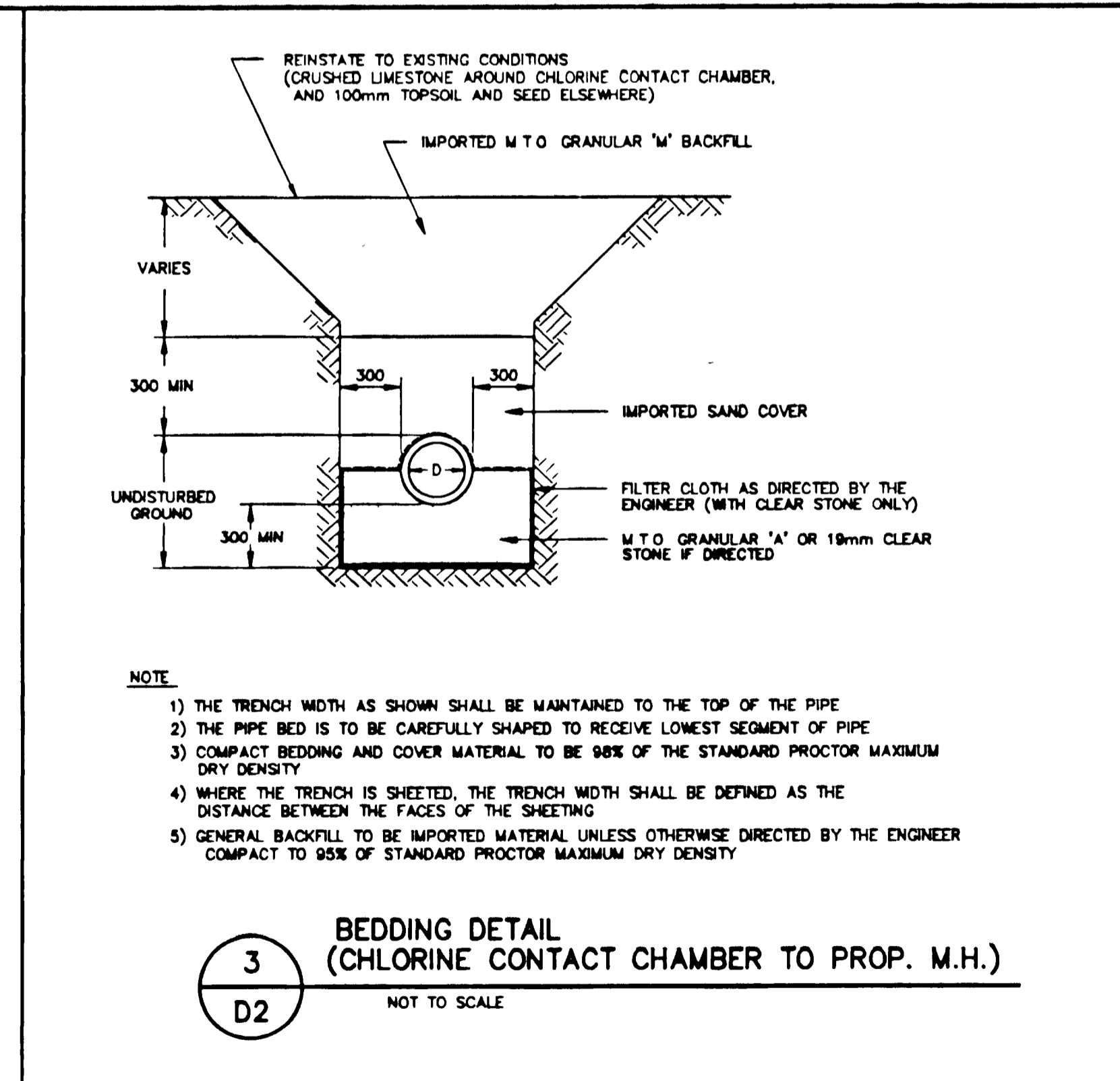
SCALE NTS	CHECKED C.K.K	DWG. 192022-D1
DESIGN N.E.S	DATE FEB 1993	
DRAWN D.P.		



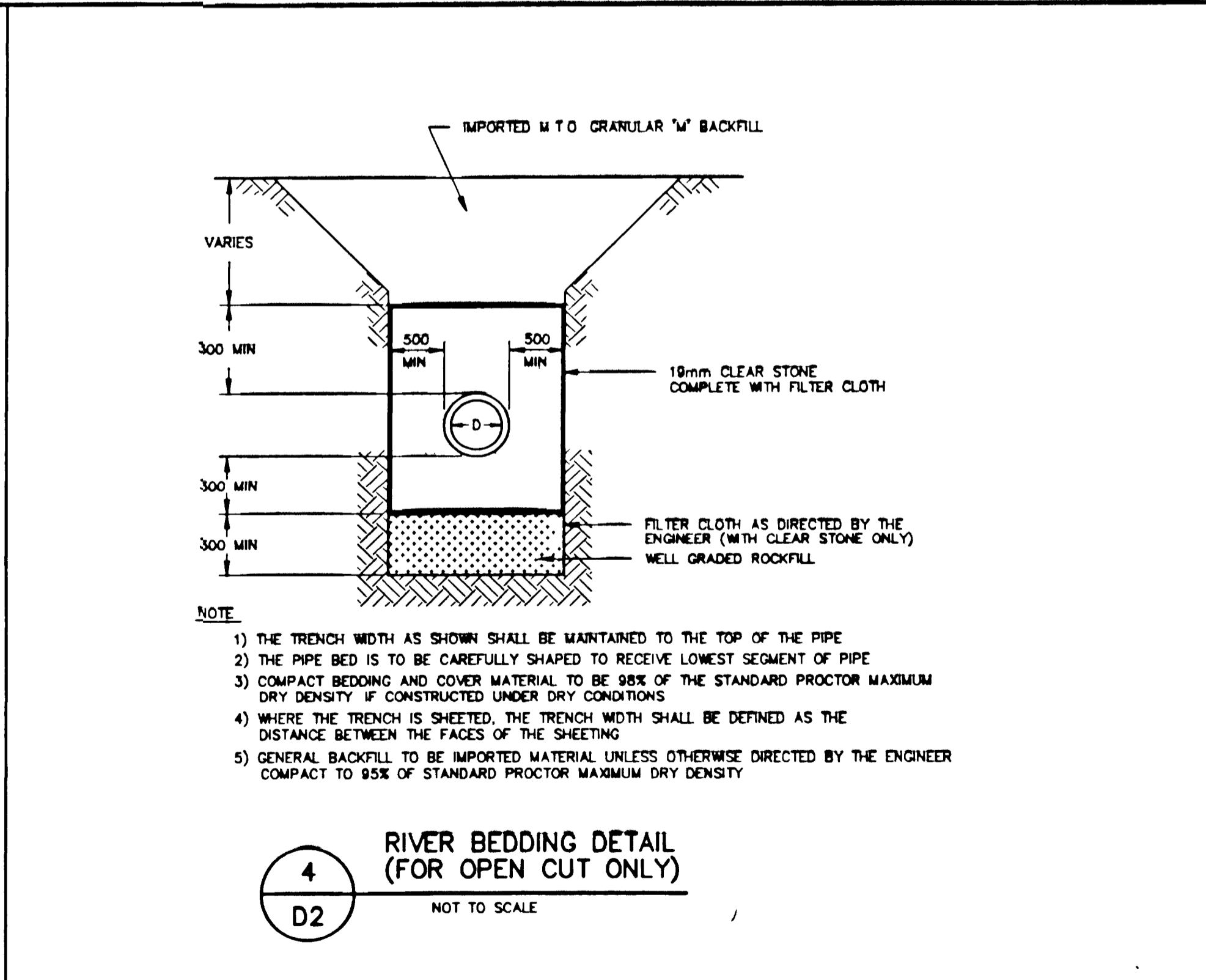
1 FENCE AND FENCE FOOTING DETAIL
D2 NOT TO SCALE



2 CONCRETE WEIGHTING COLLAR (REQUIRED FOR UNDERWATER CONSTRUCTION)
D2 NOT TO SCALE



3 BEDDING DETAIL (CHLORINE CONTACT CHAMBER TO PROP. M.H.)
D2 NOT TO SCALE



4 RIVER BEDDING DETAIL (FOR OPEN CUT ONLY)
D2 NOT TO SCALE

NOTES

PROJECT 5350-0201 WPCP OUTFALL REPLACEMENT DETAILS	
APPROVED BY MGC DESIGNED BY NES AINLEY & ASSOCIATES LTD DRAWN BY DP AINLEY & ASSOCIATES LTD	SPECIFICATIONS NONE DATE FEB 1993 SCALE DWG No WPCP 1993/1 - No 4/5

NO	REVISIONS	DATE	INITIAL

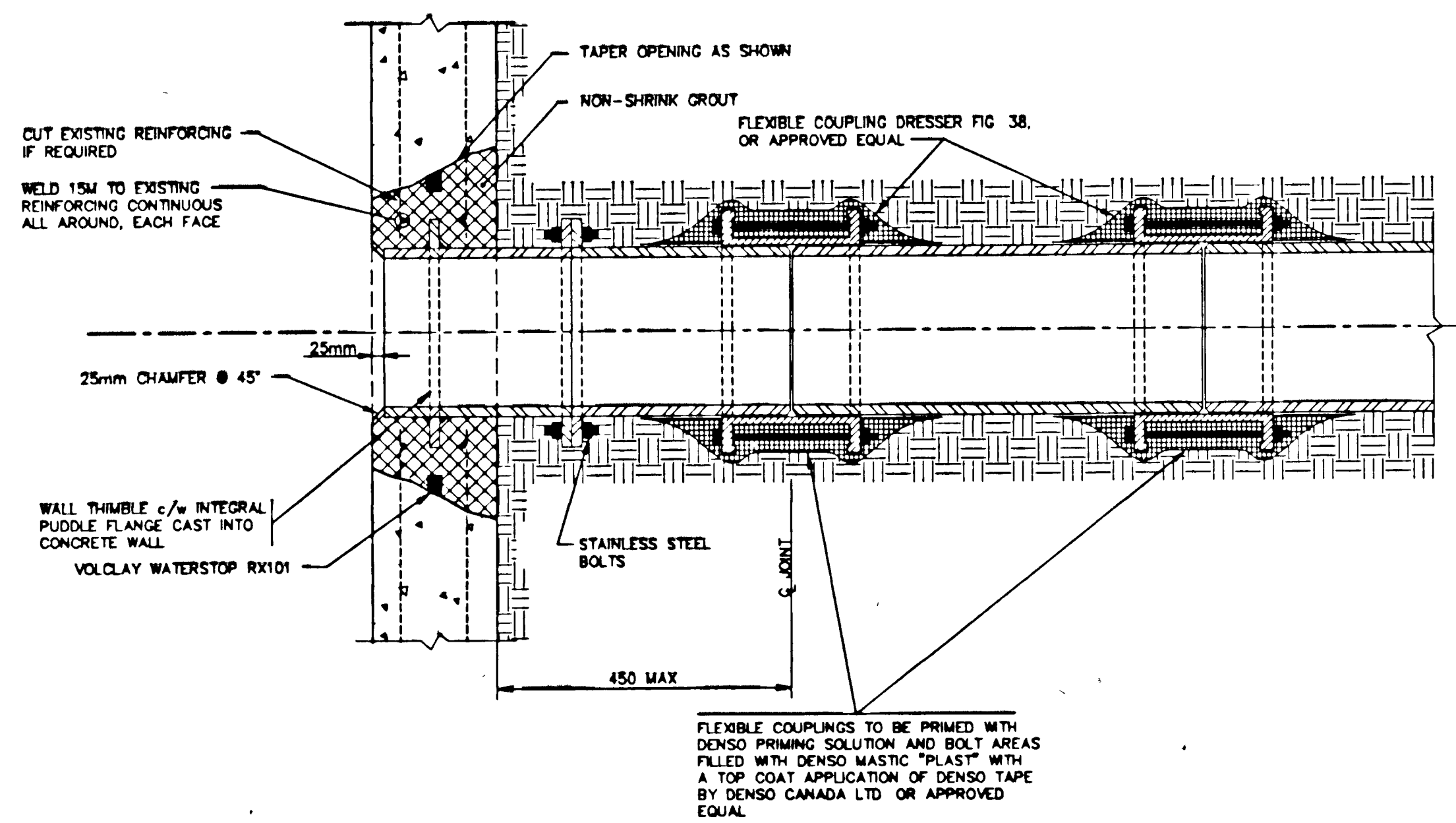
APL

WPCP
131

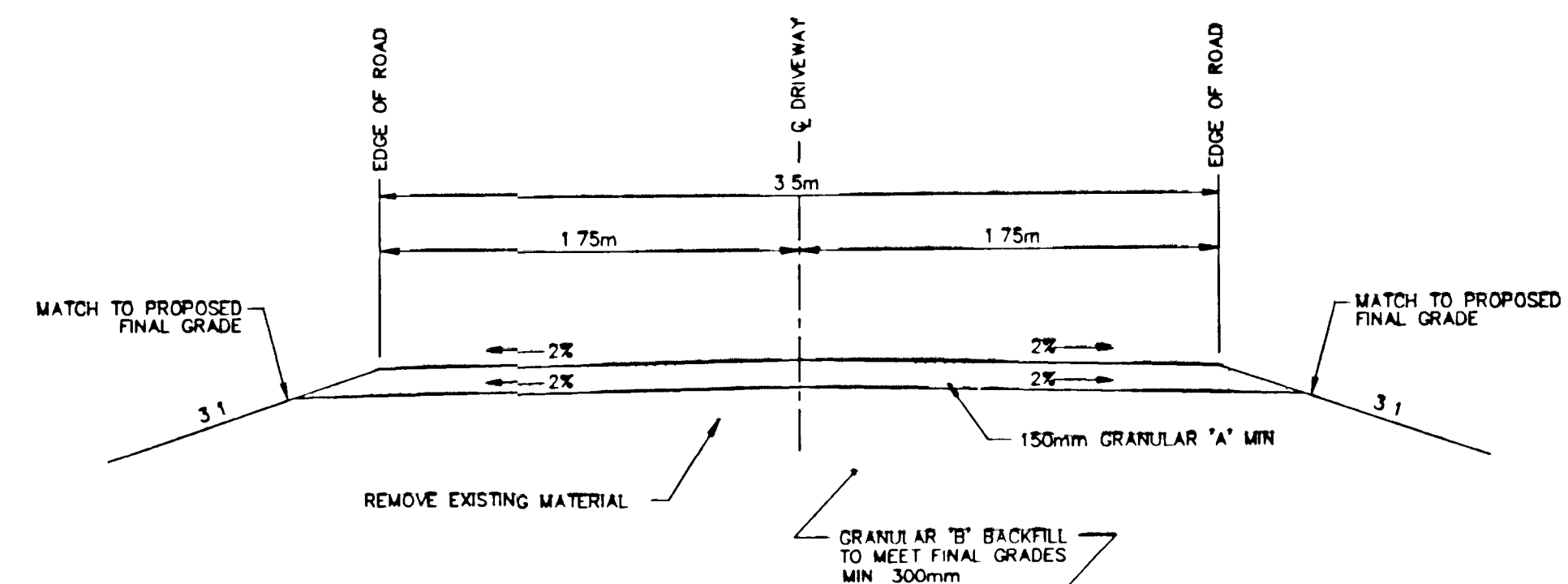
GREATER NAPANEE WATER SUPPLY
AND POLLUTION CONTROL BOARD
NAPANEE W.P.C.P. OUTFALL REPLACEMENT

Ainley and Associates Limited
Consulting Engineers and Planners
Collingwood - Barrie - Belleville - Ottawa

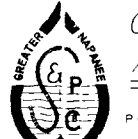
SCALE	AS SHOWN
DESIGN	N E S
CHECKED	C K K
DRAWN	D P
DATE	FEB 1993
DWG. 192022-D2	



1 PIPE THROUGH EXTERIOR WALL
N.T.S.



2 TYPICAL DRIVEWAY CROSS SECTION
N.T.S.

 GREATER NAPANEE WATER SUPPLY AND POLLUTION CONTROL BOARD	
PROJECT 5350-9201 WPCP OUTFALL REPLACEMENT DETAILS PLAN AND PROFILE	
APPROVED BY MGC	SPECIFICATIONS NO. E
DESIGNED BY NES AINLEY & ASSOCIATES LTD	DATE FEB 1993
DRAWN BY DP AINLEY & ASSOCIATES LTD	SCALE
DWG No. WPCP 1993/1 - No 5/5	

NOTES

NO	REVISIONS	DATE	INITIAL

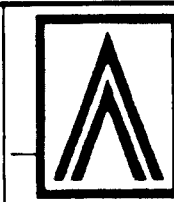


WPCP
132



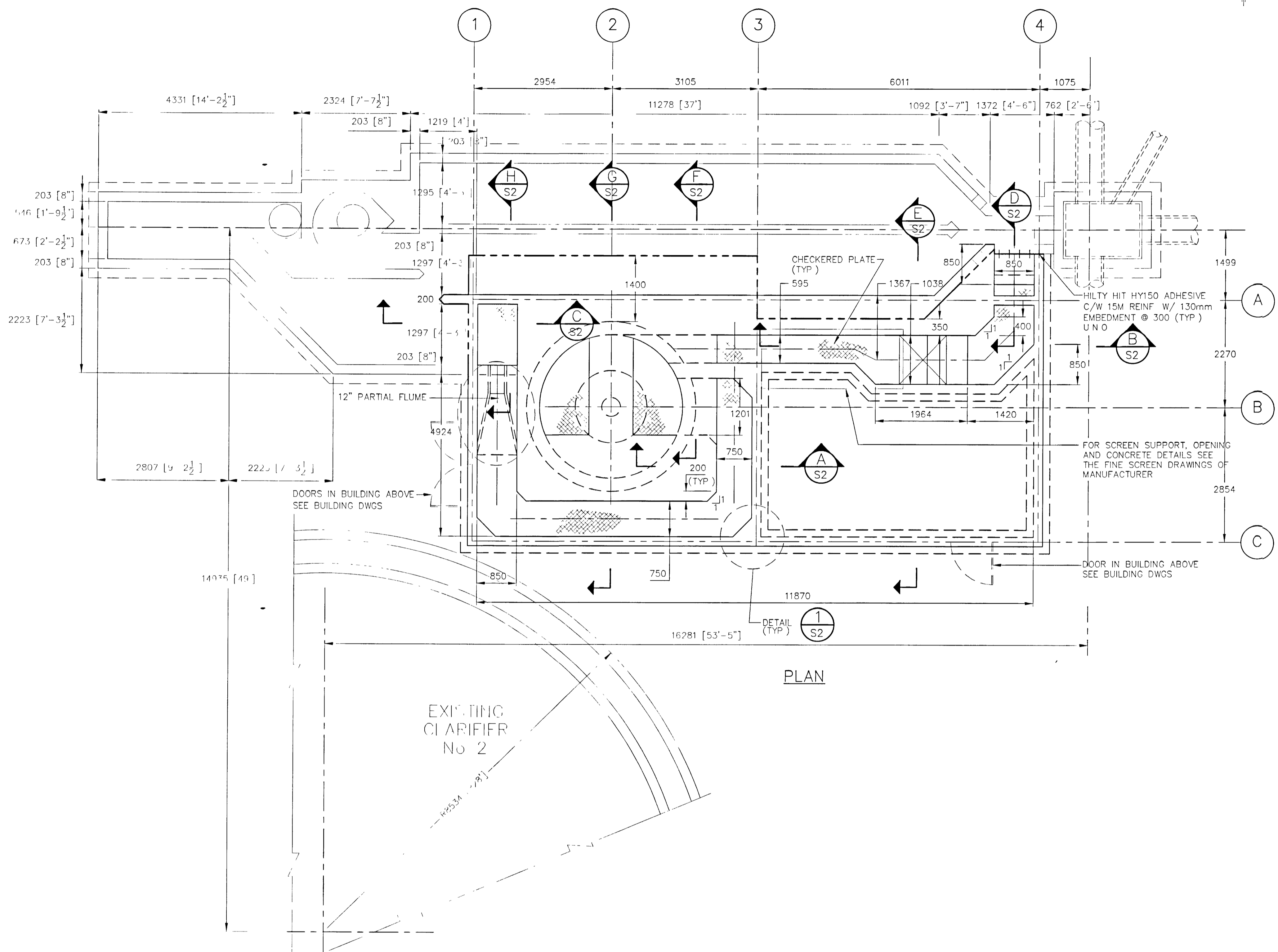
GREATER NAPANEE WATER SUPPLY
AND POLLUTION CONTROL BOARD
NAPANEE W.P.C.P. OUTFALL REPLACEMENT

DETAILS



Ainley and Associates Limited
Consulting Engineers and Planners
Collingwood - Barrie - Belleville - Ottawa

SCALE AS SHOWN	CHECKED C.K.K.	DWG. 192022-D3
DESIGN N.E.S.	DATE APRIL, 1994	
DRAWN D.P.		



GENERAL NOTES

- 1 General Contractor to verify all existing dimensions and elevations in the field prior to construction
- 2 Advise the engineer for clarification of discrepancies or inconsistencies between structural dwgs, and all other contract dwgs
- 3 The work shall be in accordance with the Building Code Act, 1990 and all subsequent regulations made under the Act prior and during construction
- 4 Coordinate with all other trades, the dimensional requirements for all wall and slab openings, slots, recesses, etc whether shown or not
- 5 Safeguard all existing structures, services and utilities which will be affected by the Work
- 6 All dimensions are in millimeters and all elevations are in meters unless otherwise indicated on the dwgs

FOUNDATIONS

- 1 During excavation, care must be taken to ensure continuous satisfactory performance of the existing footings
- 2 All foundations shall extend down to soil capable of safely sustaining a pressure of 15kPa (3 KSF). The Contractor shall obtain approval from the Municipal Building Official or from one of his appointed inspectors of the foundation level before placing concrete
- 3 Only approved granular 'A' or 'B' backfill material shall be used
- 4 Compact granular under slabs on grade to 95% Standard Proctor maximum dry density, unless noted otherwise on dwgs
- 5 Backfill walls equally on each side

CONCRETE

- 1 Concrete to be 35MPa low shrinkage, HWRA=750ml/100kg exposure class = C1 maximum water cement ratio = 0.38 cement - Portland cement type 10, 70% of cementitious material by weight slag - cementitious hydraulic slag - CSA - A363 - 30% of cementitious material by weight or content = 6 ± 1 5%
- 2 Reinforcing Steel Grade 400 deformed conforming to CSA-G30 12M
- 3 Lap reinforcing bars 42 bar diameters at splices unless otherwise indicated
- 4 Protect all reinforcing steel by thickness of concrete specified on the dwgs and / or as follows
Location (Min Cover)
a) Concrete deposited against the ground without forms 75±8mm
b) Concrete exposed to weather, water or ground after removal of forms 50±8mm
c) Concrete in slabs or walls not exposed to weather, water or ground 20±8mm
e) Concrete in beams and columns not exposed to weather, water or ground 40±8mm
- 5 Construction joints other than those shown of the dwgs will not be permitted without the approval of engineer
- 6 Chamfer all external corners, visible and above grade 20mm x 20mm unless otherwise shown on the dwgs
- 7 Min projection of vertical and horizontal dowels at construction joints is as detailed on the dwgs and / or as follows
15M bars - 650mm
20M bars - 800mm
25M bars - 1200mm
- 8 Place horizontal reinforcement at wall intersections as specified on RVA Std dwgs S-3210 and S-3212 unless otherwise detailed in the dwgs

CHECKERED PLATE

- 1 Aluminum raised pattern with a minimum thickness of 6mm, cut in easy-to-handle sections Reinforce with welded aluminum ribs or angles as required to limit deflection to the lesser of 4mm or 1/200 of the shorter span under a concentrated load of 11kN (250lbs) at the centre Where concrete support is not provided to the edge of the checkered plate panel, provide additional aluminum framing
- 2 Provide a continuous neoprene gasket around the perimeter of the cover plate and fasten down to frame with stainless steel machine screws
- 3 Where shown on the Drawings, provide hinges, locks and other items as required Panels detailed with hinges shall be complete with lift handles and hold open arms Hinges shall be heavy duty of the concealed type made of stainless steel Hold open arms shall be stainless steel
- 4 Covers without hinged shall have two lifting handles per panel

SUBMISSION

- 1 Submit detailed - fabrication, erection, placing or installation drawings to R V Anderson Associates Limited Seal these drawings with the seal of a Professional Engineer, licensed to practice in Ontario for the following structural - a) primary shoring b) checkered plate

DESIGN CRITERIA

Codes CSA 23.3-94 & ACI 350R-89
Structural Design Part 4 OBC
Live Load = 12.0kPa (250psf) @ conc floor

LEGEND

- grid line
- - - - - @ line of wall for building above
- demolition line

DRAWING NOT TO BE SCALED
100 mm ON ORIGINAL DRAWING

NOTES

No	Description	By	Date	App'd	Date
1	ISSUED FOR BLDG PERMIT APPLICATION	File	06 02 00	[Signature]	06 02 00



**WPCP
133**



**GREATER NAPANEE WATER
SUPPLY & WATER POLLUTION
CONTROL BOARD**

**NAPANEE WATER POLLUTION
CONTROL PLANT**

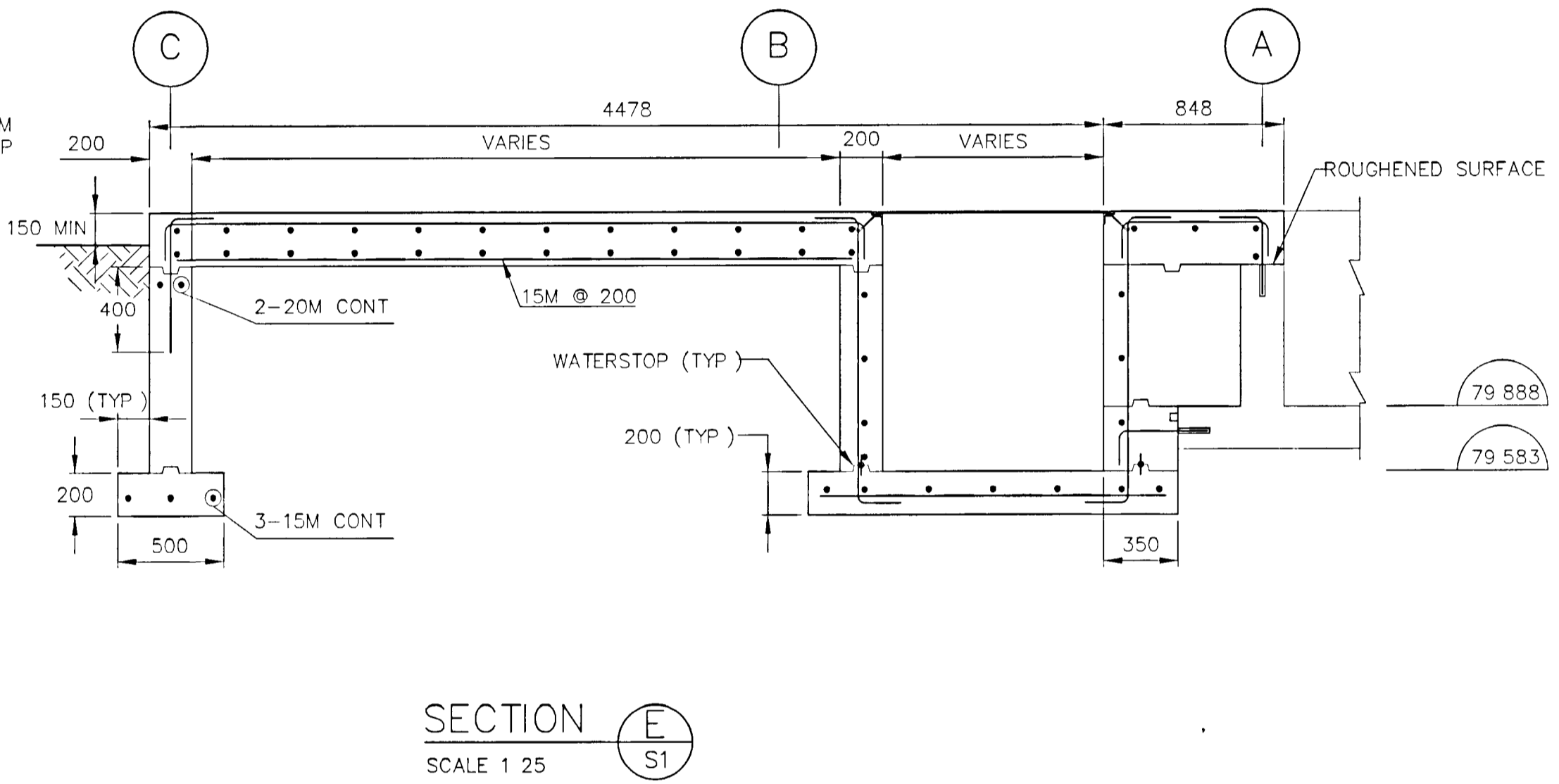
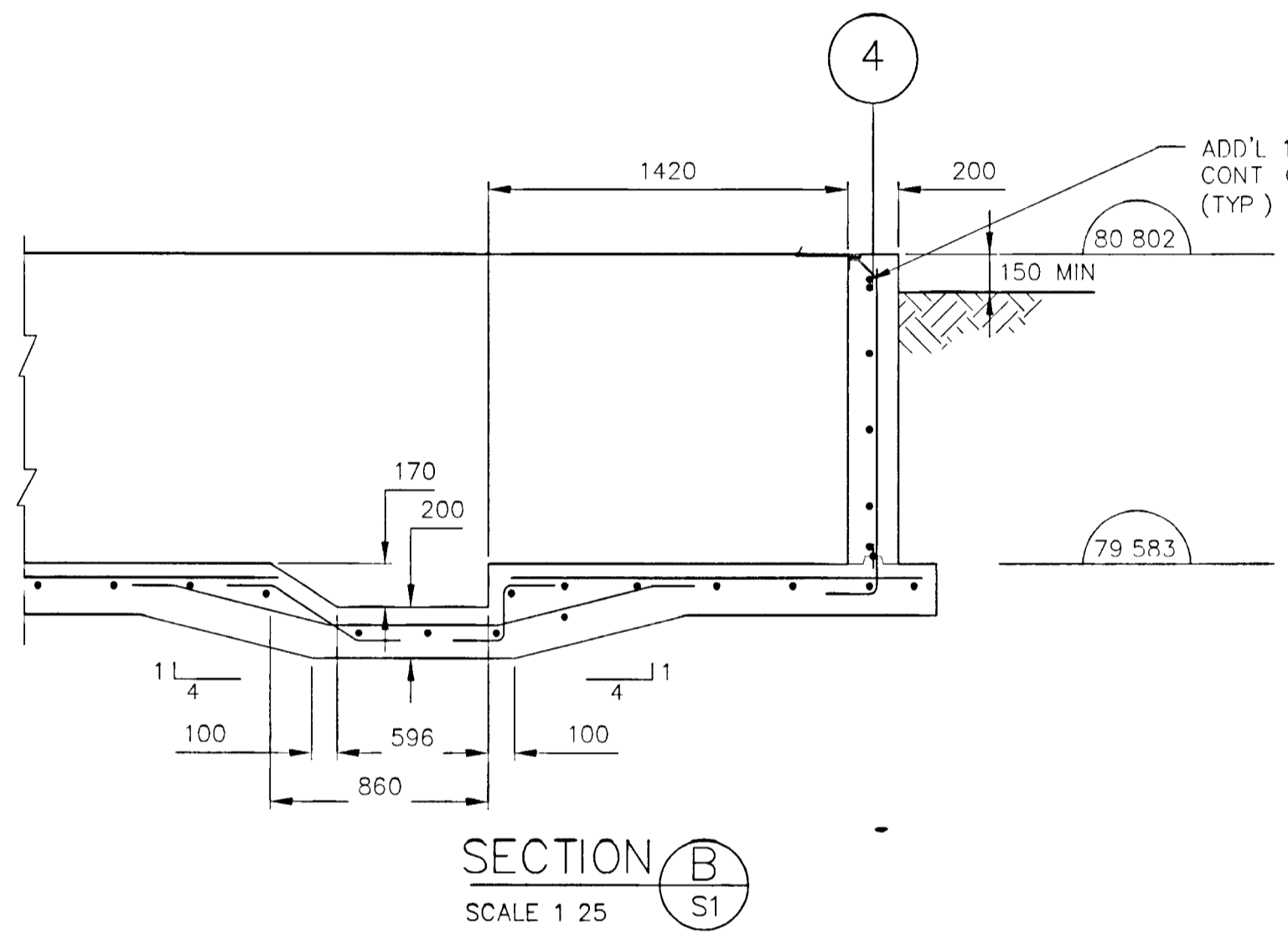
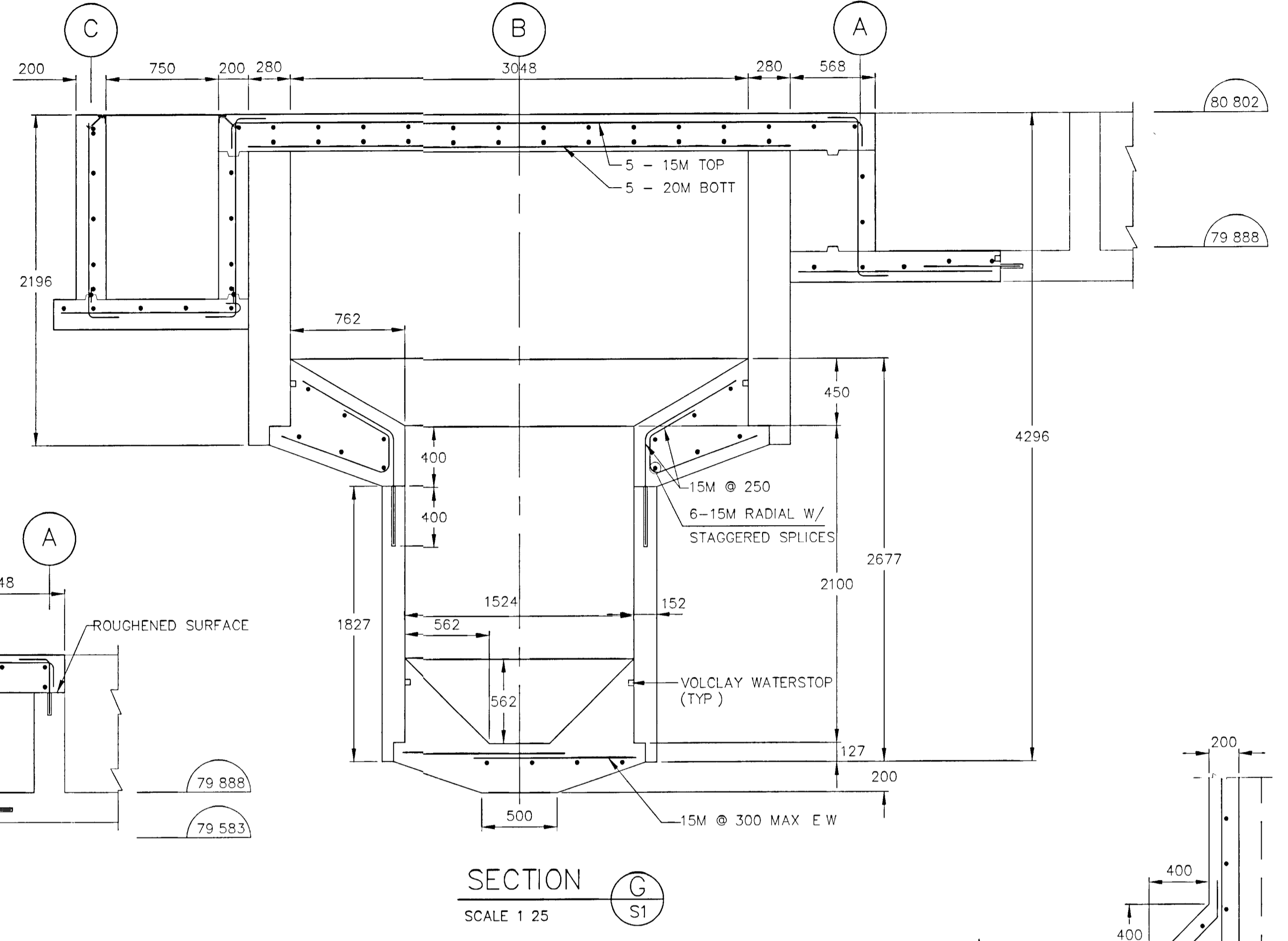
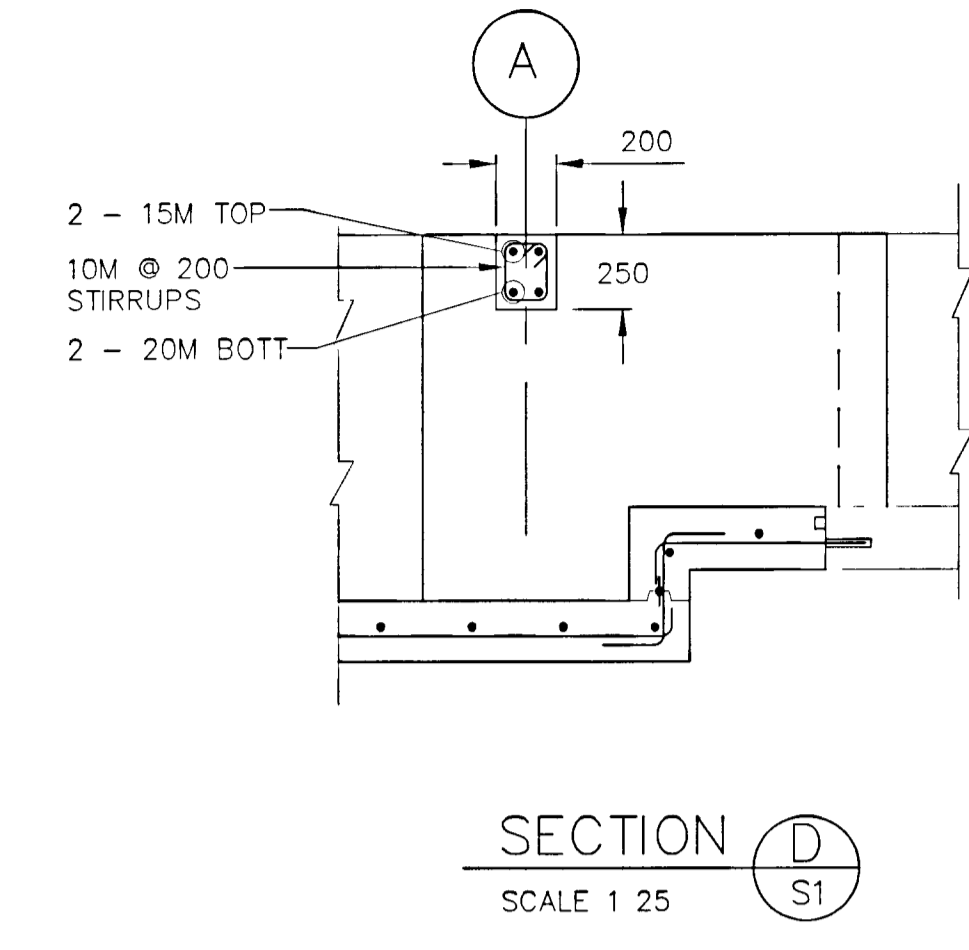
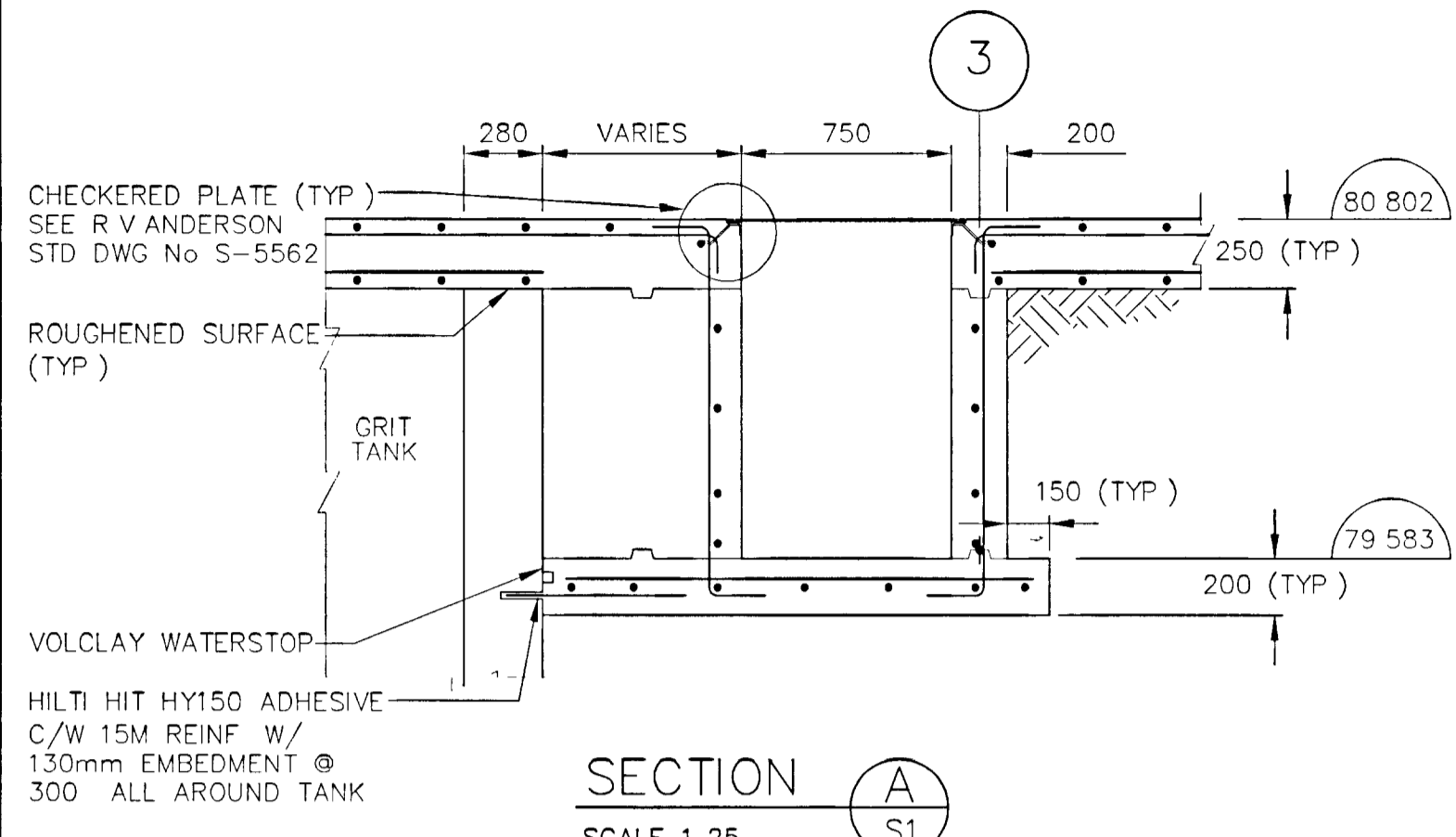
R V Anderson Associates Limited
consulting engineers architects technology managers

HEADWORKS UPGRADE

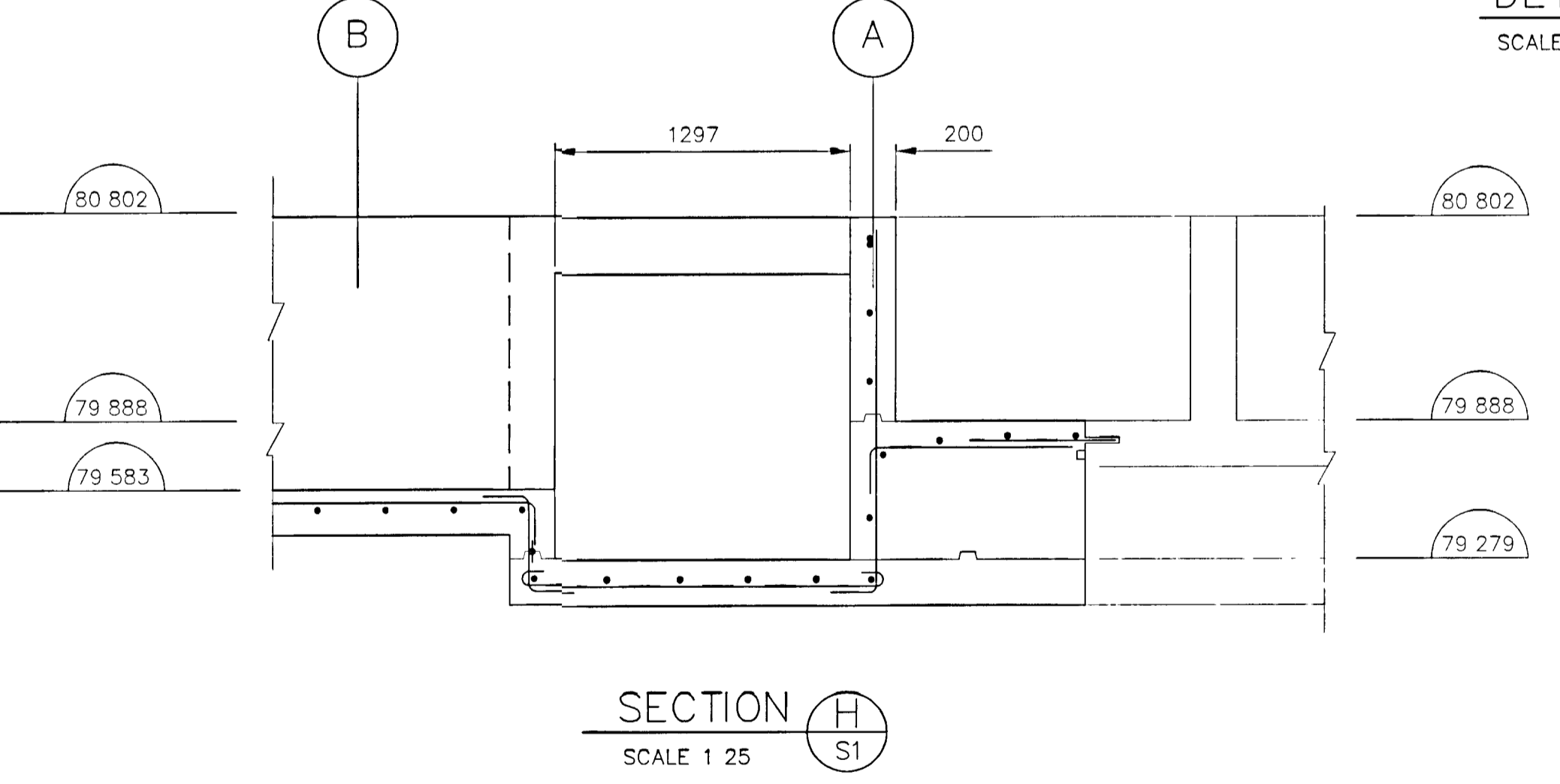
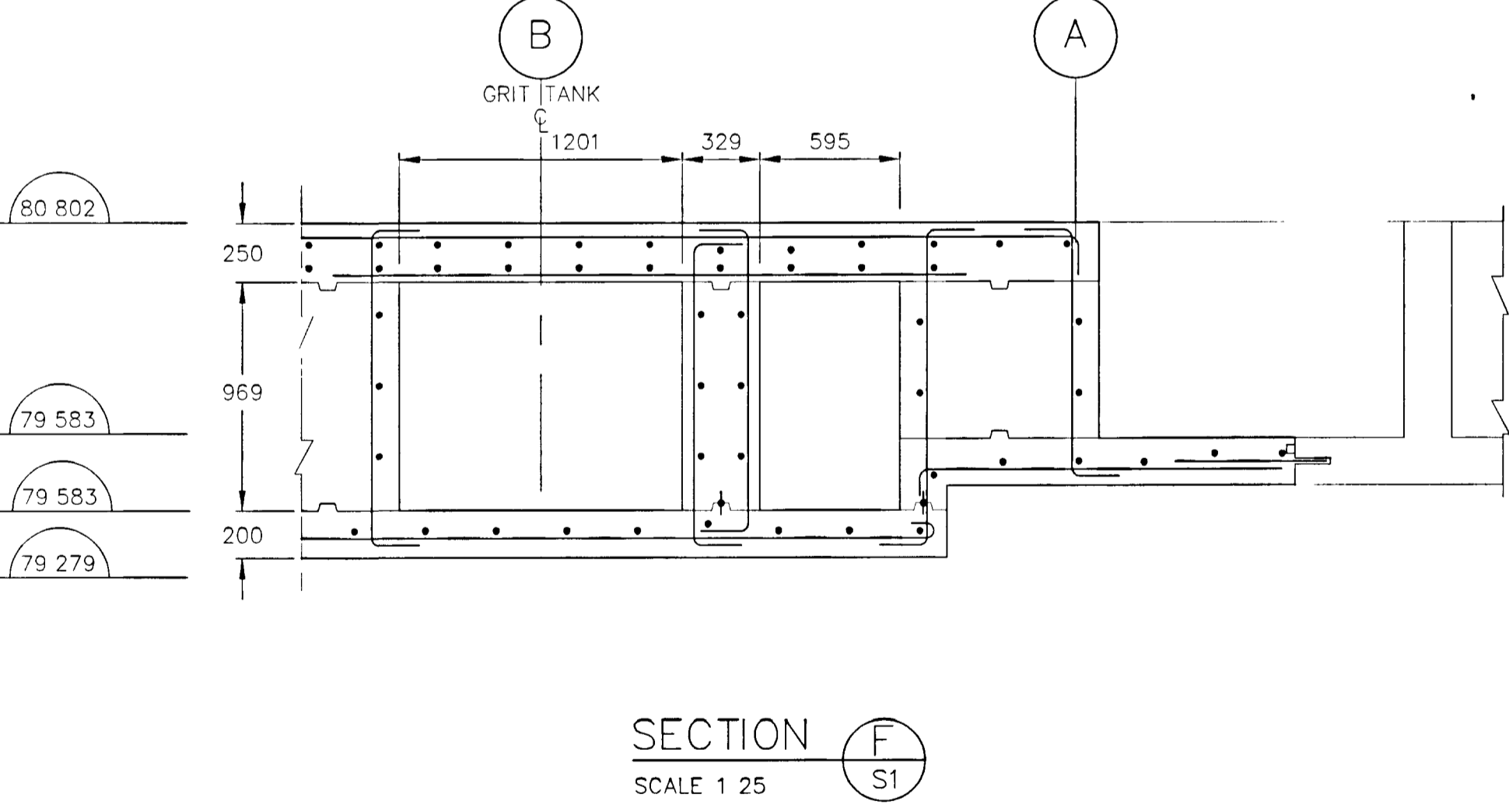
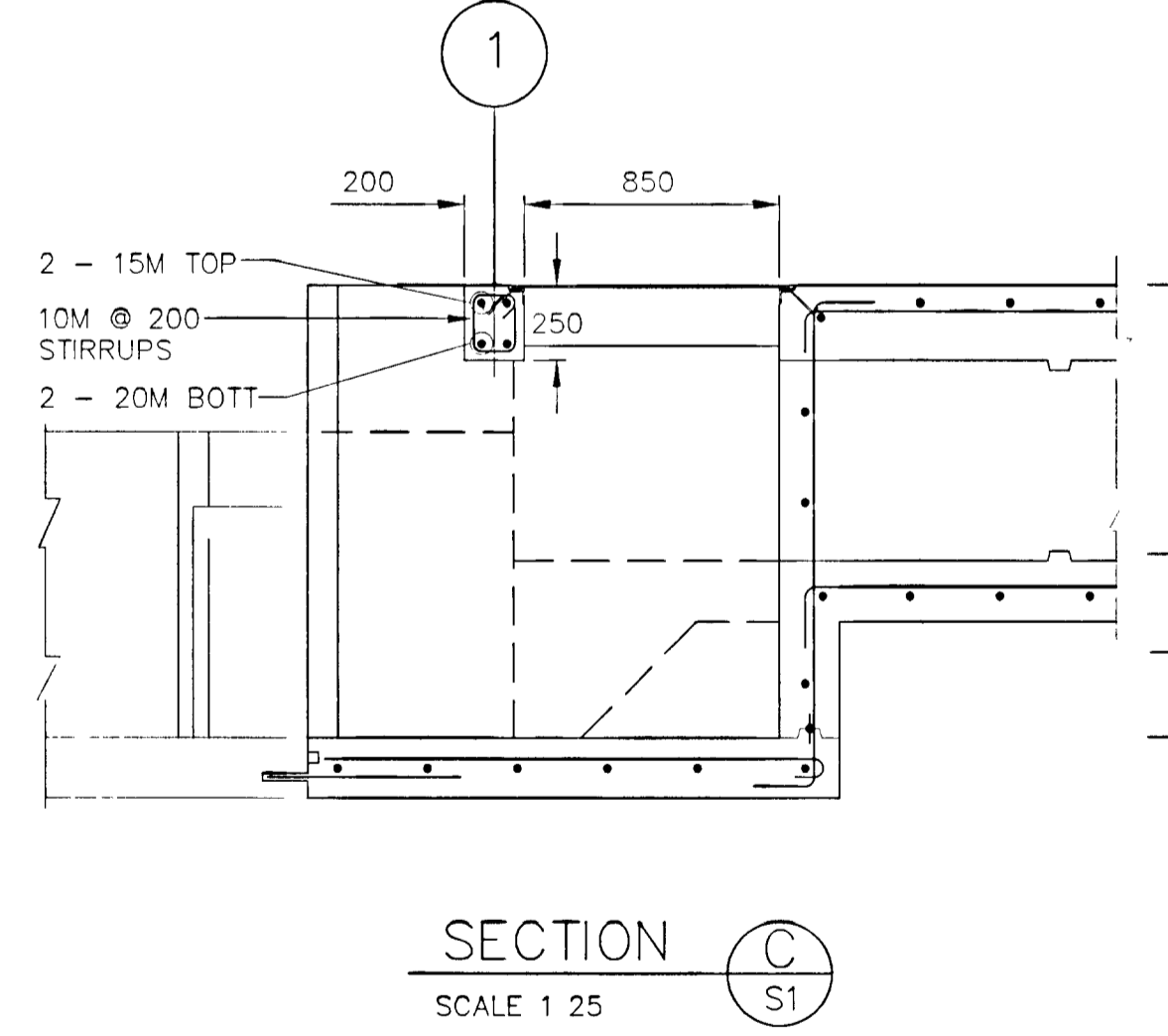
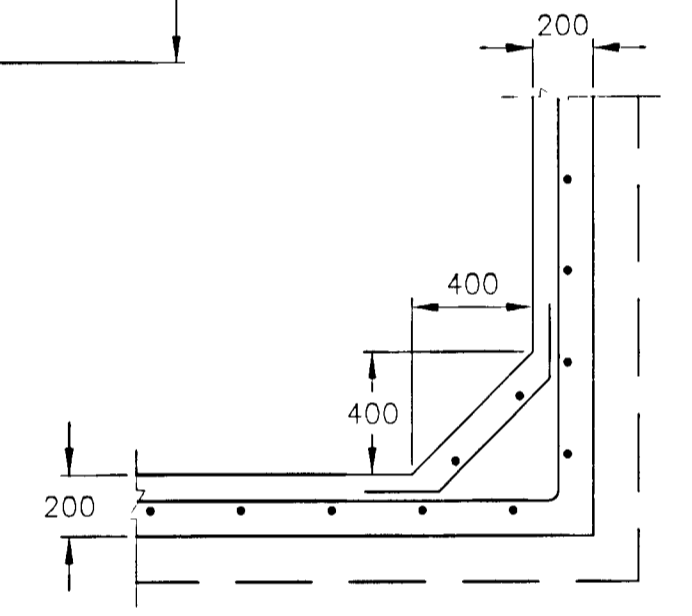
Scale	Designed	Checked	Drawn	Project No	Date
1 : 50	AN	JHR	OG	5182	NOV 1999

STRUCTURAL PLAN	Dwg No S1 Issue 0
--------------------	--------------------------------

R:\2000\182\Code\wpcp\STRUCTURE\Sent\Used for BLDG Permit\SI



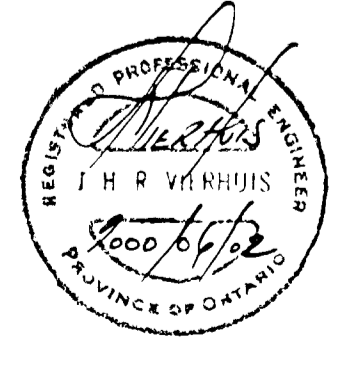
Note: Contractor to verify dimensions to shop dwgs of John Meunier



DRAWING NOT TO BE SCALED
100 mm ON ORIGINAL DRAWING

NOTES
ALL REINFORCEMENT ARE 15M @ 300mm U N O

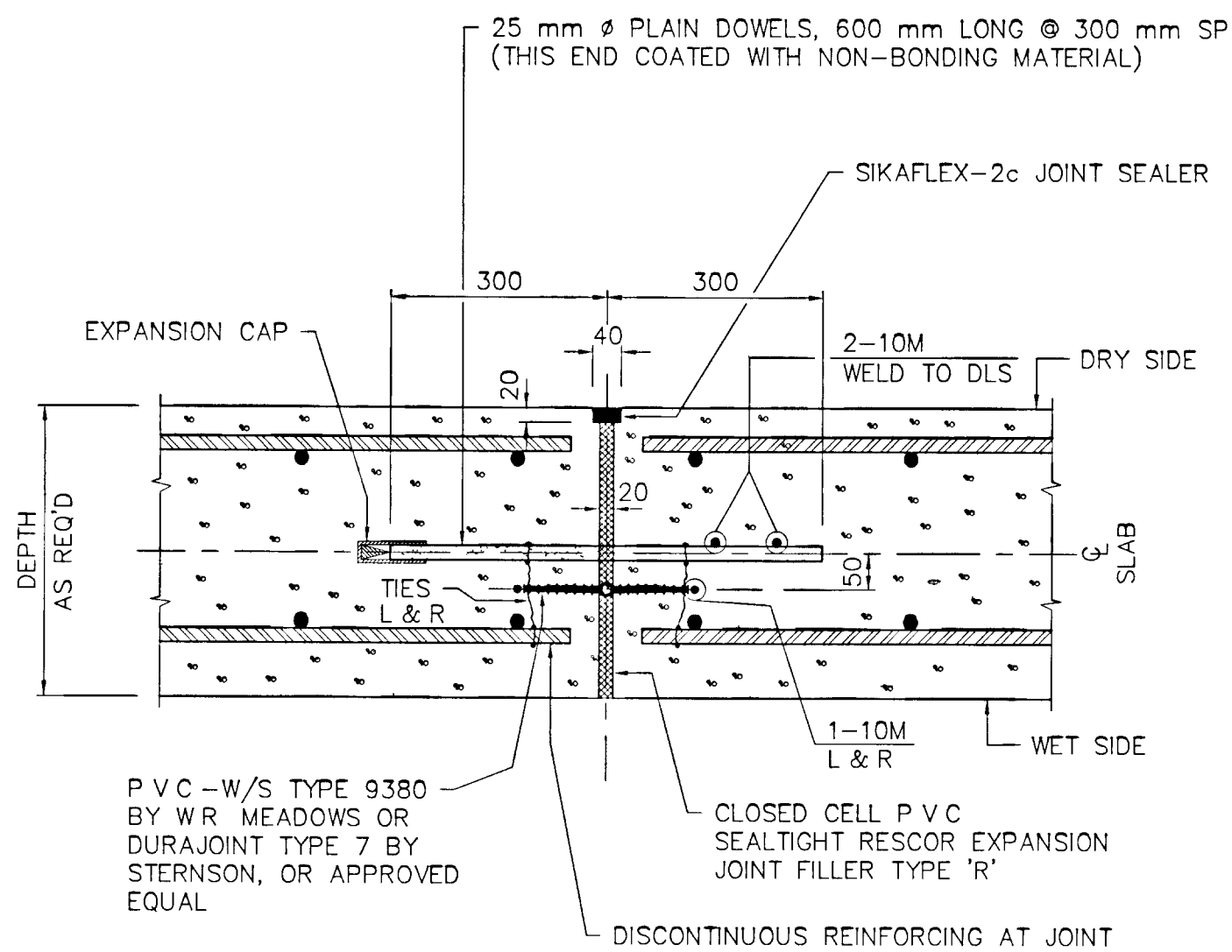
No	Description	By	Date	App'd	Date
1	ISSUED FOR BLDG PERMIT APPLICATION	<i>JL</i>	06 02 00	<i>JL</i>	06 02 00



GREATER NAPANEE WATER SUPPLY & WATER POLLUTION CONTROL BOARD		NAPANEE WATER POLLUTION CONTROL PLANT	
R V Anderson Associates Limited consulting engineers architects technology managers		HEADWORKS UPGRADE	
Scale 1 25	Designed <i>AN</i>	Project No 5182	Dwg No S2
Checked <i>AN</i>	Drawn <i>OB</i>	Date NOV 1999	Issue 0



R:\5000\5182\Cad\Drawings\STRUCTURE - Serr\Issued for BLDG Permit.rvt

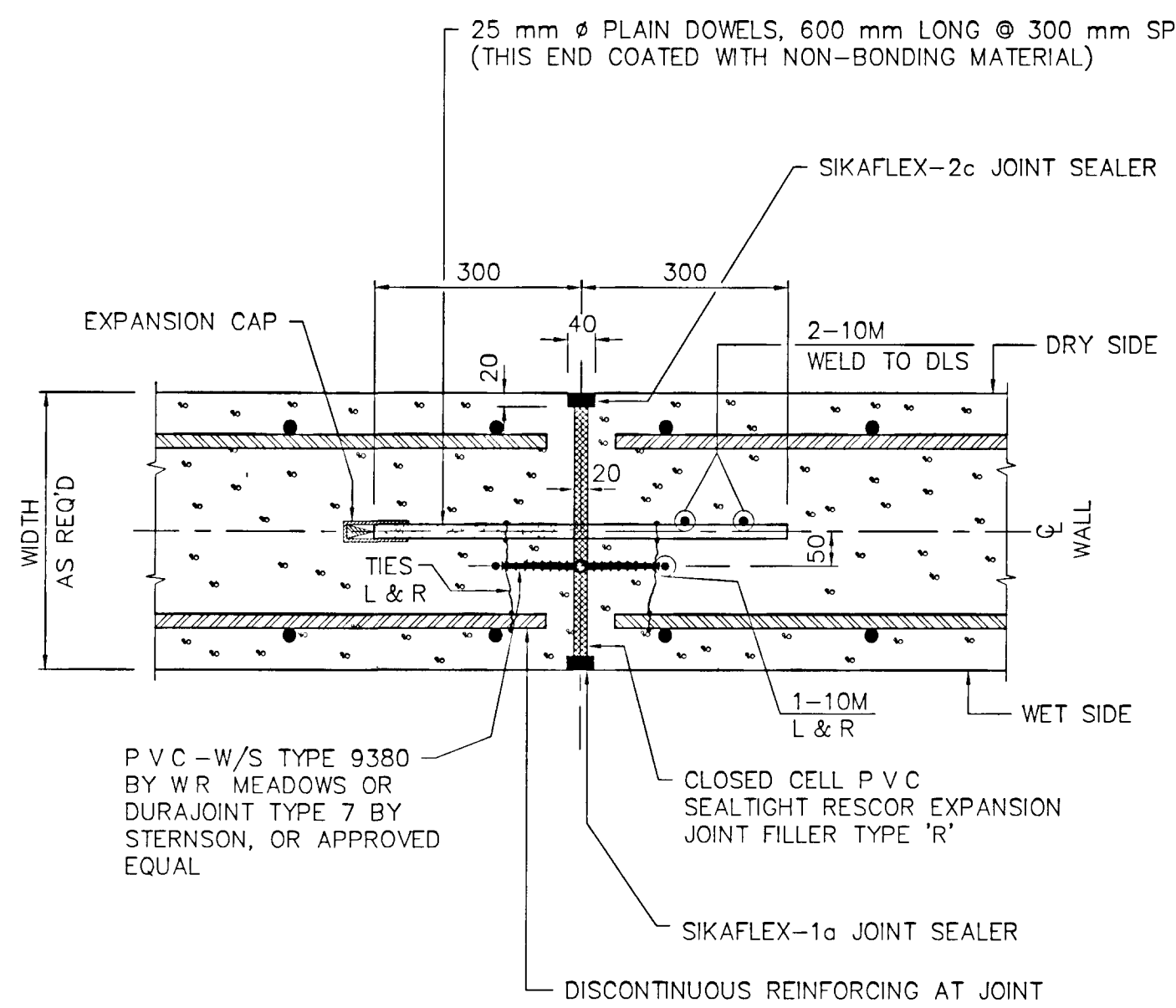


* NOTE SEAL TOP AND BOTTOM OF ELEVATED SLABS

* DIMENSIONS IN mm

EXPANSION JOINT
BASE SLAB

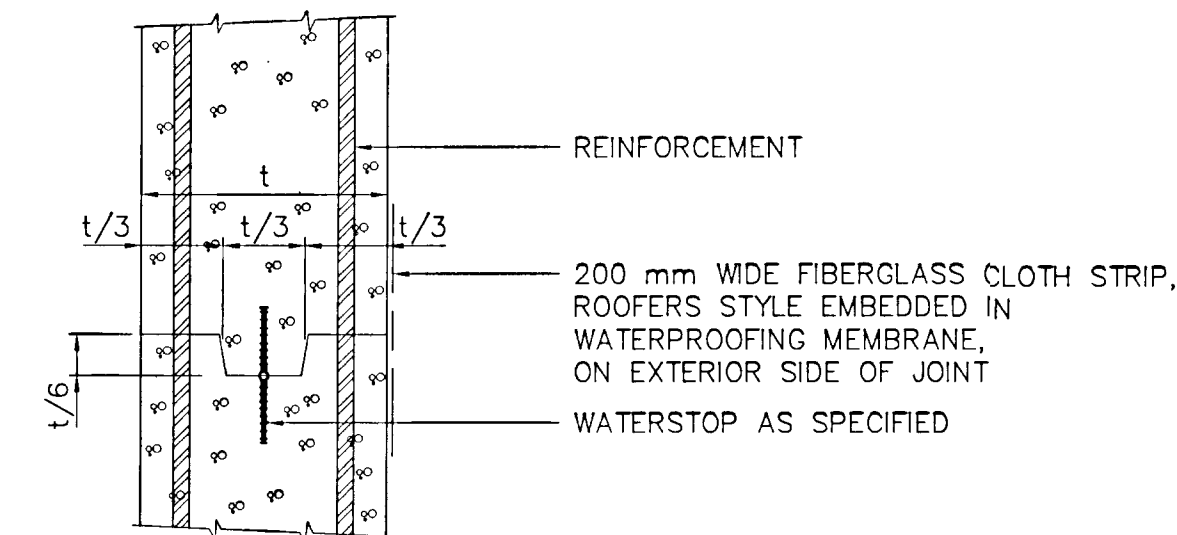
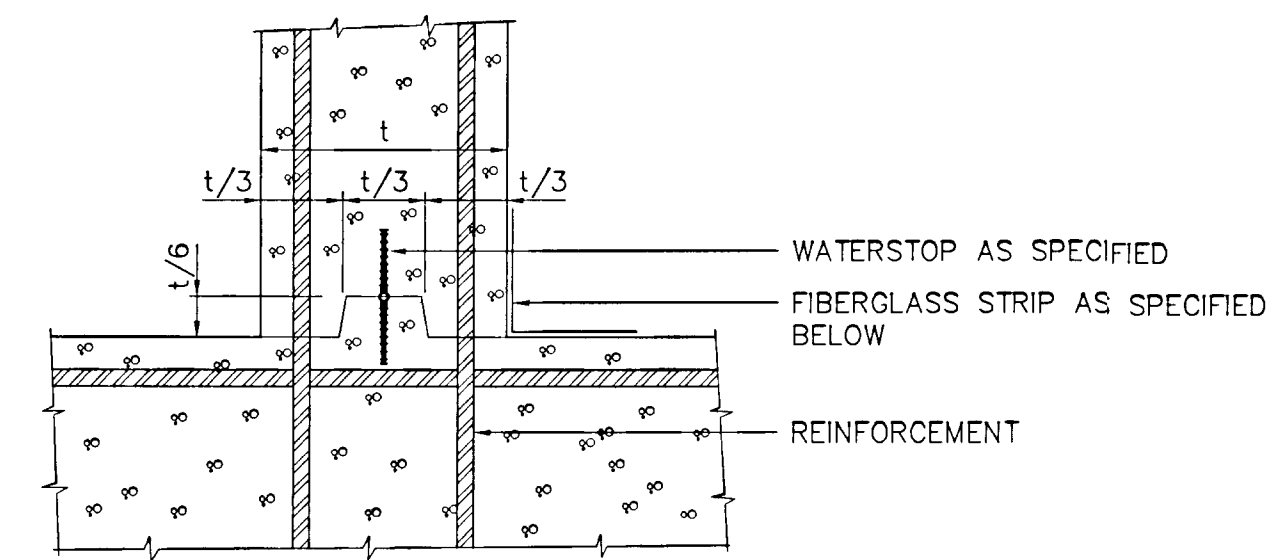
RVA STANDARD S-3165



* DIMENSIONS IN mm

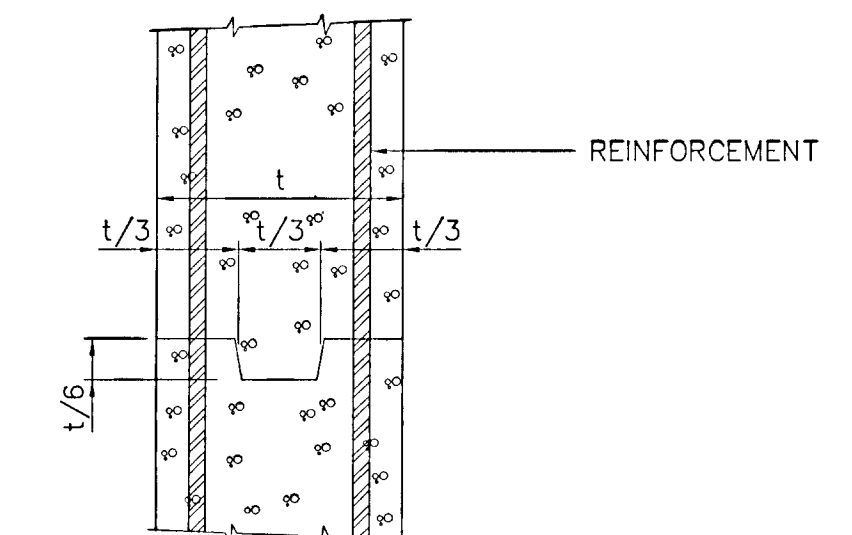
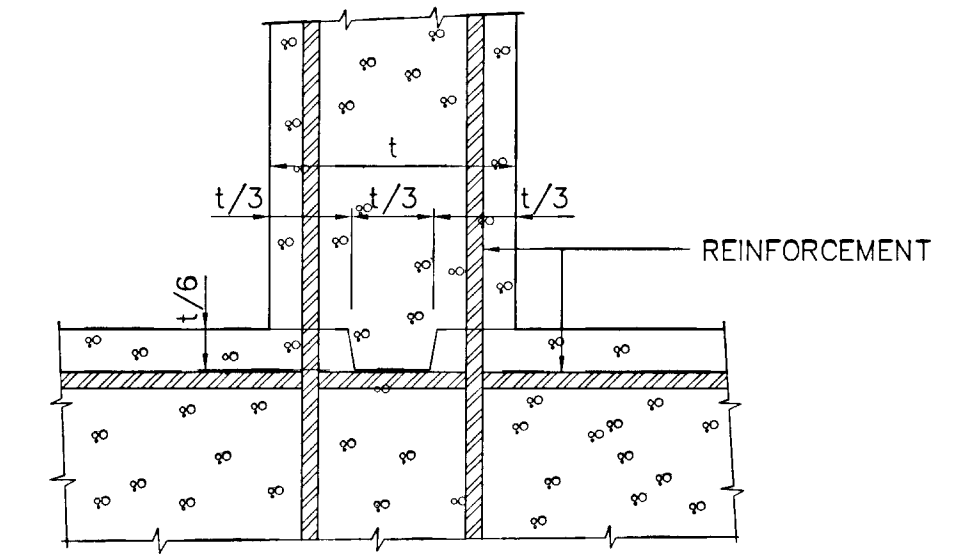
EXPANSION JOINT
WALL

RVA STANDARD S-3166



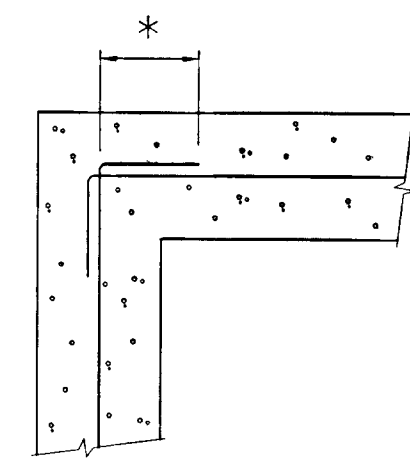
WATERPROOF
CONSTRUCTION JOINT

RVA STANDARD S-3181

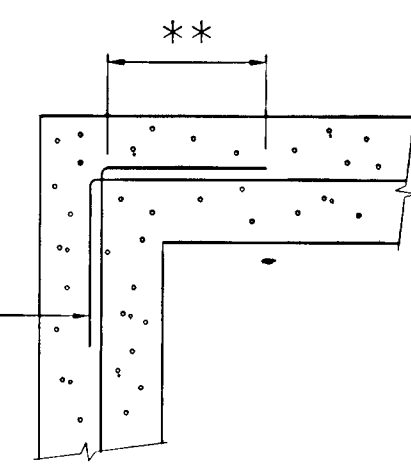


CONSTRUCTION JOINT

RVA STANDARD S-3182

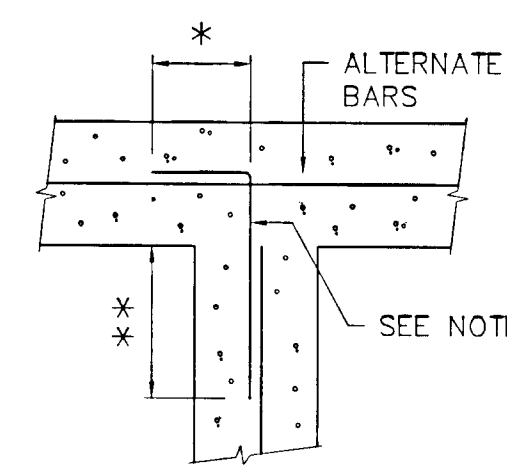


DETAIL No 1

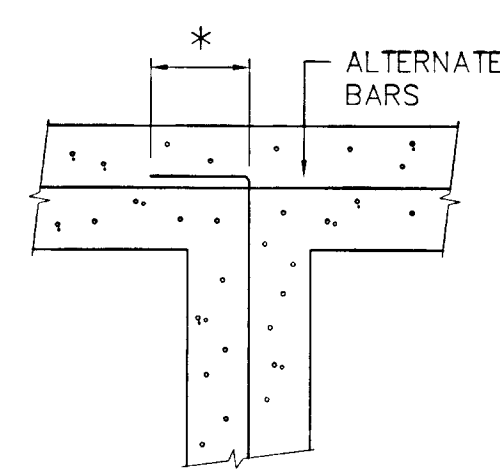


DETAIL No 2

SEE NOTE 5



DETAIL No 3



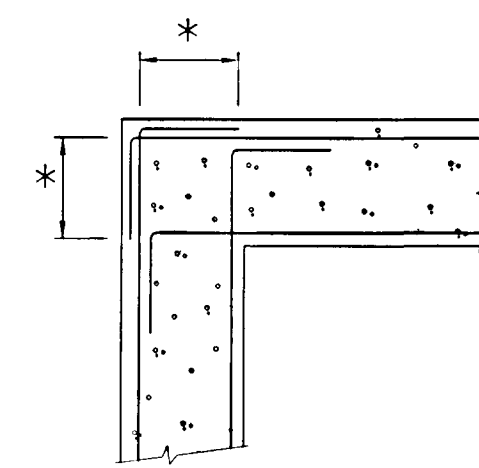
DETAIL No 4

NOTES

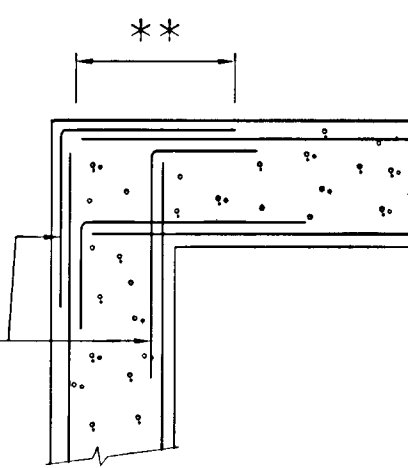
- 1 ALL 90° BENDS AS SHOWN UNLESS OTHERWISE INDICATED ON DESIGN DRAWINGS
- 2 VERTICAL STEEL NOT SHOWN
- 3 * - STANDARD 90° HOOK
- 4 ** - SPLICE AS SPECIFIED
- 5 CORNER BARS TO BE SAME SIZE AND SPACING AS MAIN HORIZONTAL BARS

HORIZONTAL REINFORCEMENT
AT WALL INTERSECTIONS
SINGLE CURTAIN REINFORCEMENT

RVA STANDARD S-3212

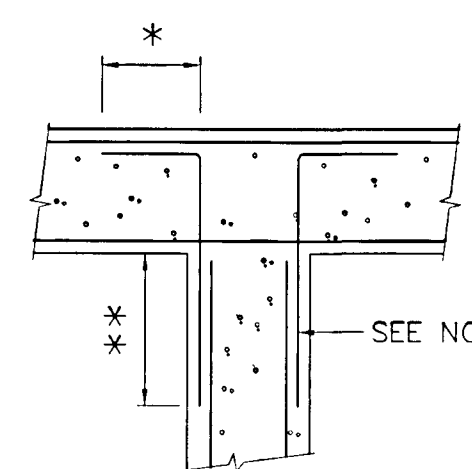


DETAIL No 1

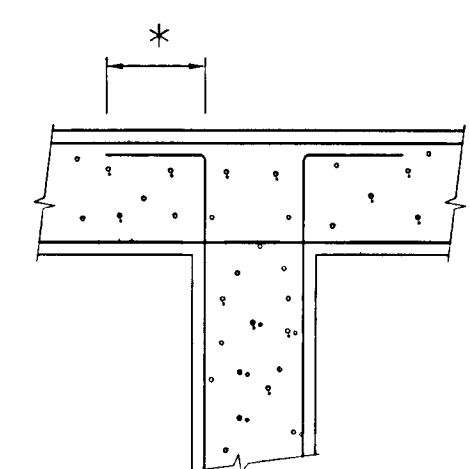


DETAIL No 2

SEE NOTE 5



DETAIL No 3



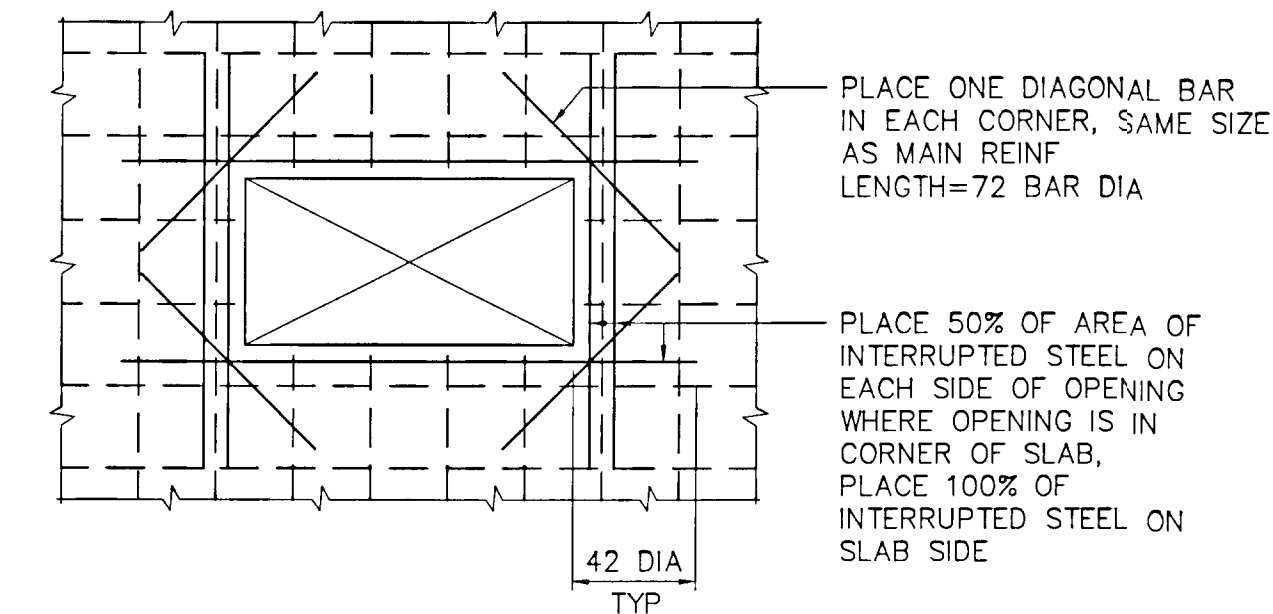
DETAIL No 4

NOTES

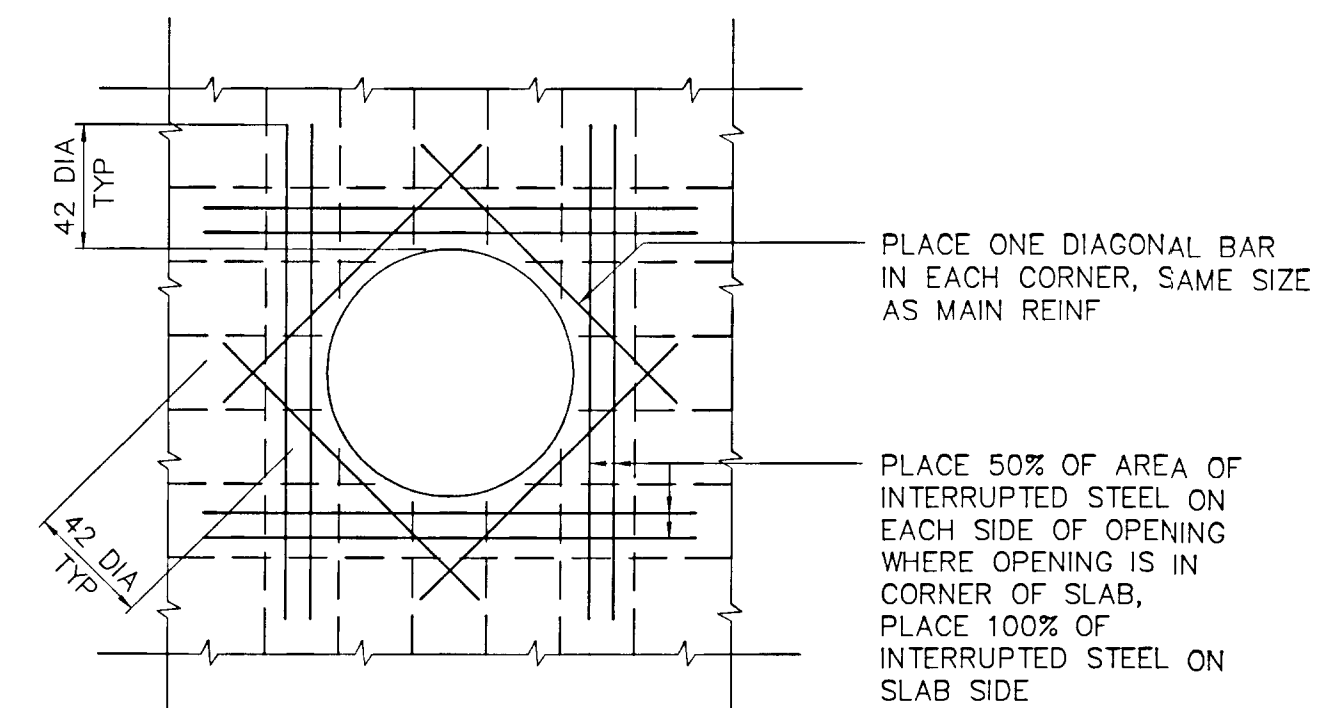
- 1 ALL 90° BENDS AS SHOWN UNLESS OTHERWISE INDICATED ON DESIGN DRAWINGS
- 2 VERTICAL STEEL NOT SHOWN
- 3 * - STANDARD 90° HOOK
- 4 ** - SPLICE AS SPECIFIED
- 5 CORNER BARS TO BE SAME SIZE AND SPACING AS MAIN HORIZONTAL BARS

HORIZONTAL REINFORCEMENT
AT WALL INTERSECTIONS

RVA STANDARD S-3210



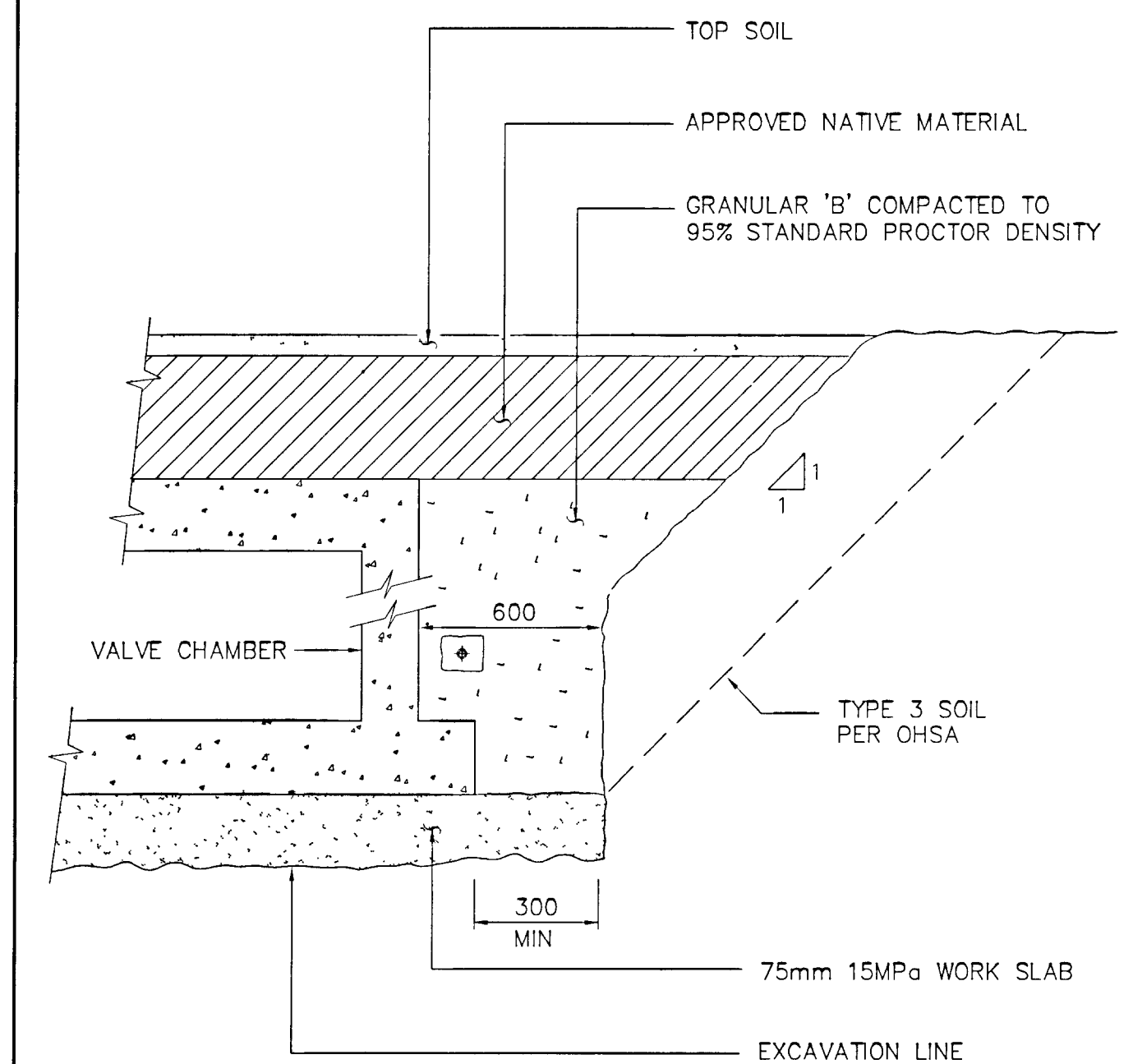
REINFORCING FOR RECTANGULAR OPENING



REINFORCING FOR CIRCULAR OPENING

REINFORCEMENT DETAILS FOR
OPENINGS IN WALLS AND SLABS

RVA STANDARD S-3215



TYPICAL BACKFILL & BEDDING DETAILS
N T S

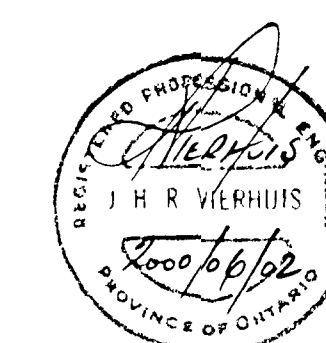
DRAWING NOT TO BE SCALED
100 mm ON ORIGINAL DRAWING

NOTES

No	Description	By	Date	App'd	Date
1	ISSUED FOR BLDG PERMIT APPLICATION	JR	01/20/00	AK	06/02/00



WPCP
135



GREATER NAPANEE WATER
SUPPLY & WATER POLLUTION
CONTROL BOARD

NAPANEE WATER POLLUTION
CONTROL PLANT

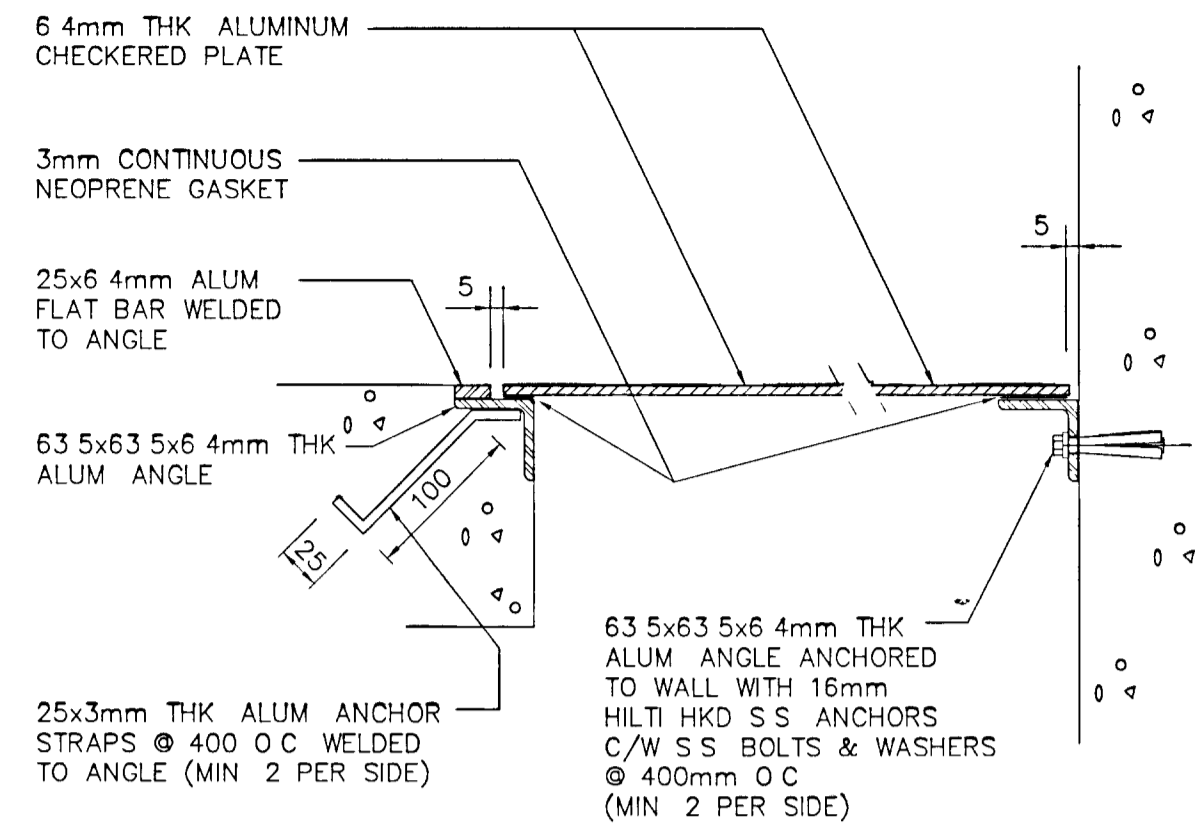
R V Anderson Associates Limited
consulting engineers architects technology managers

HEADWORKS UPGRADE

Scale	Designed	Project No
1/50	AN	5182
	Checked	Date
	JR	NOV 1999
	Drawn	
	AK	

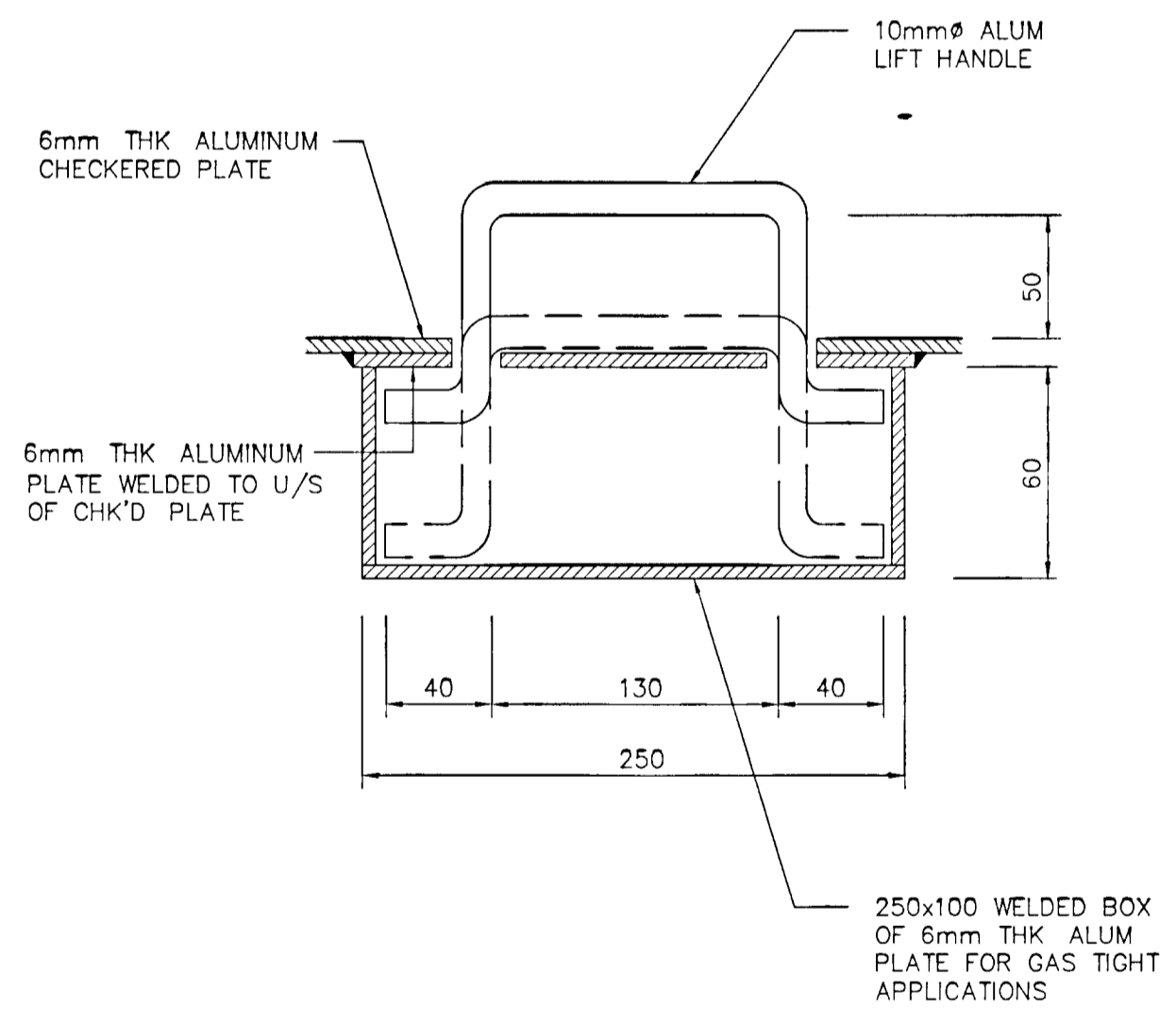
STRUCTURAL
DETAILS

Dwg No
S3
Issue 0



- NOTES
- 1 ALL ALUMINUM IN CONTACT WITH CONCRETE SHALL HAVE A MIN. OF TWO COATS OF ALUMINUM COLOURED BITUMINOUS PAINT
 - 2 CHECKERED PLATE TO BE FASTENED TO SUPPORTS WITH 6mm Ø S S COUNTERSUNK MACHINE SCREW, WASHER AND LOCKNUT @ 600mm O C (MIN 2 PER SIDE)

ALUMINUM CHECKERED
PLATE SUPPORT
RVA STANDARD S-5562



- NOTE
- 1 WHERE REMOVABLE PANELS ARE SPECIFIED PROVIDE ONE LIFT HANDLE AT EACH END

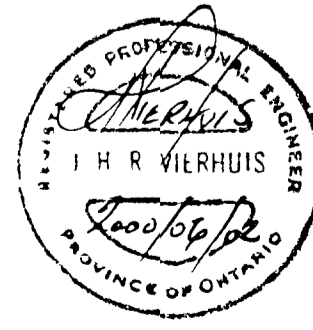
LIFT HANDLE
RVA STANDARD S-5563

DRAWING NOT TO BE SCALED
100 mm ON ORIGINAL DRAWING

RVA 5000 5182 Conf/Spec/STRUCT/Struct/Issued for BLDG Permit/S4

NOTES

No	Description	By	Date	App'd	Date
1	ISSUED FOR BLDG PERMIT APPLICATION	<i>J.H.</i>	06 02 00	<i>J.H.</i>	06 02 00



GREATER NAPANEE WATER SUPPLY & WATER POLLUTION CONTROL BOARD		NAPANEE WATER POLLUTION CONTROL PLANT	
RVA Anderson Associates Limited <small>consulting engineers architects technology managers</small>		HEADWORKS UPGRADE	
Scale	Designed <i>AH</i>	Project No	Dwg No
1 50	Checked <i>JHR</i>	5182	S4
	Drawn <i>BL</i>	Date NOV 1999	Issue 0
			STRUCTURAL DETAILS

Headworks - Electrical Scope of Work

- Incoming Service Provide and install a 600 volt, 3 phase, 4 wire, 100A underground sub-service feed from the main control building including all ducts, pull wires; concrete encased road/pathway crossings and switchgear. Feed to be labeled "Screen/Grit Tank Room".
- Terminate sub-feed in mechanical/Electrical Room in a wall-mounted 600v, 100A splitter trough c/w local disconnect switch. Provide and install the following equipment/connections:
 - 600V, 3-ph supply rated at 45A for the packaged J Meunier control panel. Circuit to contain an isolation contactor controlled by the gas detection system to automatically shut off the supply when the LEL is above acceptable limits.
 - 600/208/120v, 3 ph, 30 kVA wall mounted dry type transformer for all HVAC and building system requirements.
 - 208/120v, 100A, 24 circuit distribution panel board for HVAC/building systems (PP-A) fully equipped with circuit breakers of suitable ratings as required by equipment.
- J Meunier packaged plant - provide and install 600v conductors; conduits, supports and local disconnects for the following Class 1, Division 2 motors within the Screen/Grit Tank Room:
 - Escalator Screen: 1.5 HP Brush Motor, 0.7 HP (low) 2-Speed Screen Motor, 1.2 HP (high) 2-Speed Screen Motor.
 - Screw Compactor: 2 HP.
 - Metcan Grit: 3/4 HP Paddle Drive, 5 HP Blower #1, 5 HP Blower #2, 1 HP Grit Dewatering.

4 HVAC
Provide and install 120/208 conductors, raceways, supports and local isolation disconnects for the following equipment:

EUH-1	5 kW	208/3 ph
MUA-1	9 kW	208/3 ph
MUA-2	1 kW	208/1 ph
EF-1	1/4 HP	120/1 ph
EF-2	1/4 HP	120/1 ph
Baseboard	750 W	208/1 ph
Motorized Dampers MD1	120/1 ph	
Motorized Dampers MD2	120/1 ph	
Motorized Dampers MD3	120/1 ph	

All above to be fed from PP-'A'. Equipment wiring systems and devices within the Screen/Grit Tank Room to be fabricated and installed to Class 1, Division 1 hazardous environment classifications (explosion proof). Be responsible for the supply and installation of the HVAC system wiring and their interconnection as detailed on Dwg M1. This includes all thermostats, motorized dampers, limit switches, flow switches, etc. Final commissioning of HVAC systems as per detailed sequence of operation on Dwg M1.

- Lighting
Provide and install the following equipment including all conductors, raceways, supports, switches and controls. Equipment to be fed from PP-'A':
 - 50W HPS external wall pack fixtures (2) c/w integral photocell control and acrylic lenses above the single door to the Mechanical/Electrical room and above the double doors to the Screen/Grit Tank Room.
 - Mechanical/Electrical Room - 4 ft T8 industrial fixtures c/w electronic ballasts and reflector. Fixtures to be positioned to fully illuminate all control panels and equipment for operation and maintenance requirements.
 - Screen/Grit Tank Room - 4' - T8 fixtures c/w electronic ballasts suitable for a Class 1, Division 1 (explosion proof) environment. Fixtures to provide a general illumination level of 500 lux (50 f.c.). Co-ordinate final position with Meunier control panel and process equipment to ensure full illumination around all equipment for ease of operation and maintenance.
 - Provide and install self-contained battery powered rechargeable emergency lighting systems in both the Mechanical/Electrical (1) and Screen/Grit Tank Rooms (2). Systems to be capable of operating for 2 hours upon power failure. Screen/Grit Tank Room units to be approved for Class 1, Division 1 locations. Units to be fed from local high level receptacles.

6 General Power
Provide and install general purpose 120v, 15A duplex receptacles in the Mechanical/Electrical Room (2) and Screen/Grit Tank Room (5). Screen/Grit Tank Room devices and wiring systems to be to Class 1, Division 1 (explosion proof) specifications. Mechanical/Electrical Room devices to have metal faceplates.

7 Gas Detection
Provide and install a gas detection system for the Screen/Grit Tank Room as detailed in attached Division 16, Section 13389 specification. Detection system to operate exhaust fans EF1 and EF2 in sequence, as detailed on Dwg M1 at LEL levels of 10% and 40%. At levels > 40% LEL system to operate isolation contactor to J Meunier control panel and shut down all equipment not rated as Class 1, Division 1.

8 Alarms
Contractor to "group" the following equipment and safety alarms in parallel to activate a common trouble alarm strobe light on the exterior of the building. An additional no dry grouped contact must be provided for relaying the common trouble alarm back to the main control room. Provide and install 2" underground conduit c/w pull wires from the Screen/Grit Tank Room to the main control room for alarm signal wiring.

- | | |
|----------------------|--|
| i) Escalator | Brush run dry
Screen run dry
Brush overload
Screen overload/blockage |
| ii) Screen Compactor | Alarm |
| iii) Grit Chamber | Run dry (4 sets of contacts)
Overload
Screw Blockage |
| iv) Gas Detector | Alarm
Failure |
| v) HVAC | MUA-1 Fail to Start
MUA-2 Fail to Start
EF1 Fail to Start
EF2 Fail to Start |

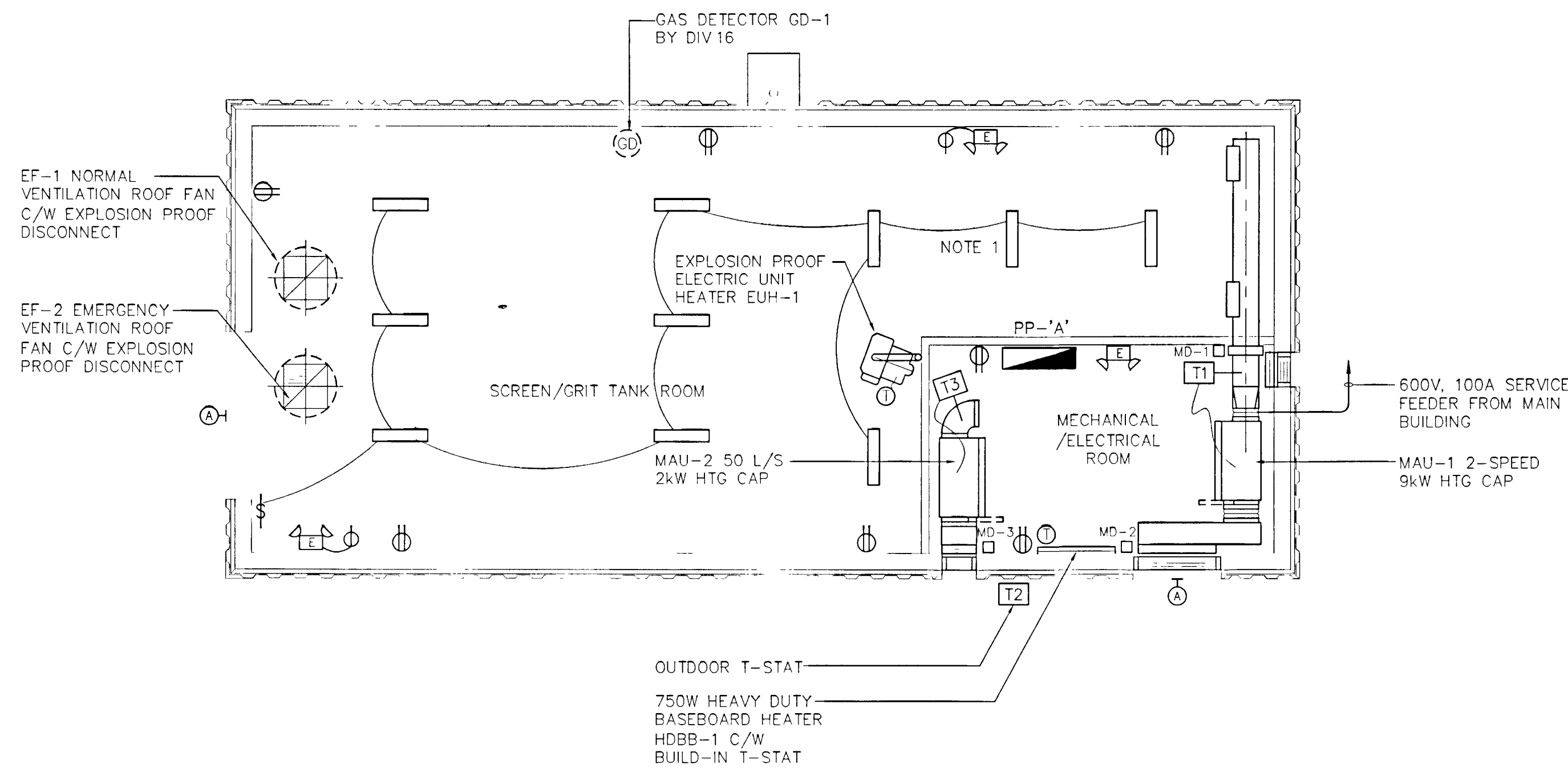
Items i) to iv) have contacts provided within their respective control panels for the alarm/trouble signals indicated. Contractor is to provide "fail to start" signals for the HVAC equipment listed in v) as part of the control system wiring for each item.

LEGEND

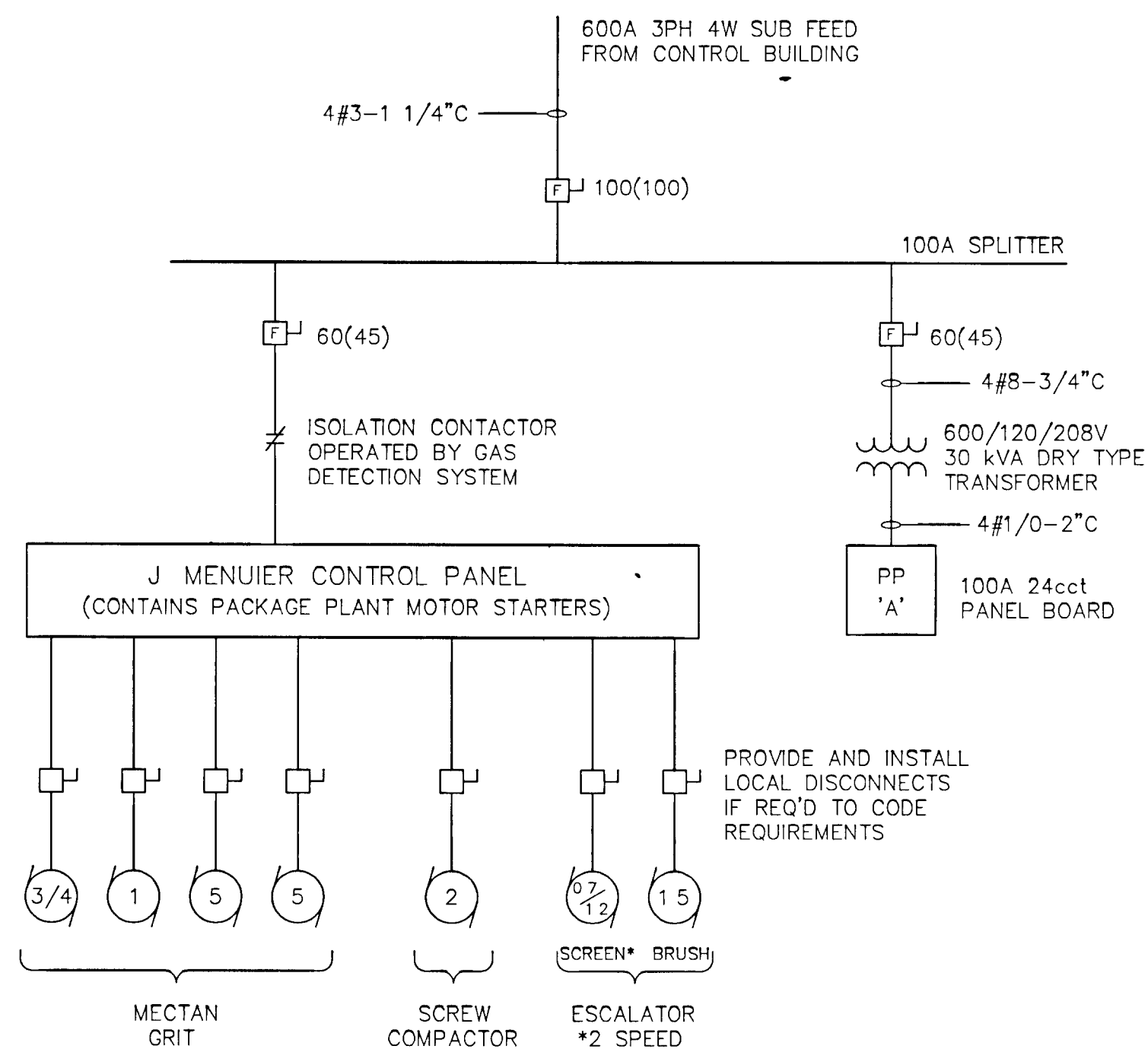
- CONTROL FUSE
- GROUND CONNECTION
- AIR OR MOLDED CASE CIRCUIT BREAKER (1500V OR LESS)
- AT - AMP TRIP SIZE
- AF - AMP FRAME SIZE
- TRANSFORMER
2 WINDING
- 600-5A - CURRENT TRANSFORMER
- CURRENT RATIO 600- 5A
- QUANTITY 3
- 2400-120V - POTENTIAL TRANSFORMER
VOLTAGE RATIO 2400 120V
QUANTITY 2
- COMBINATION MAGNETIC STARTER
FULL VOLTAGE, NON REVERSING
DRAWOUT, BREAKER TYPE
EEMAC SIZE 1
- THERMAL ELEMENT
- SQUIRREL CAGE INDUCTION MOTOR

GENERAL POWER & LIGHTING

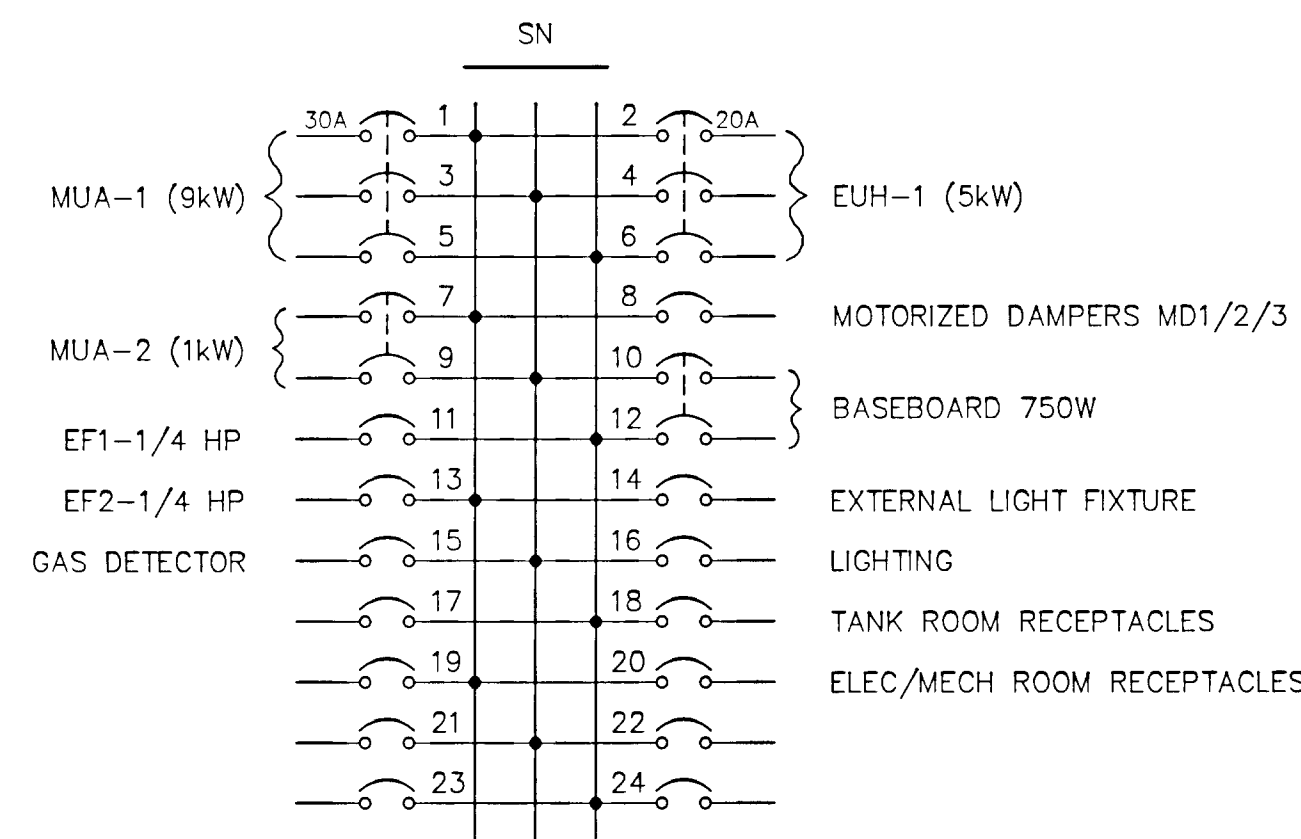
- CEILING FLUORESCENT FIXTURE
INSCRIBED LETTER DENOTES FIXTURE
TYPE AS PER LIGHTING FIXTURE SCHEDULE
IN THE SPECIFICATIONS (4)1a DENOTES
FED FROM LP-4, CIRCUIT No.1, SWITCH a
- WALL FLUORESCENT FIXTURE AS ABOVE
- INCANDESCENT, FLUORESCENT OR HID
CEILING OUTLET INSCRIBED LETTER
DENOTES TYPE AS PER LIGHTING
FIXTURE SCHEDULE (2)2 DENOTES
FED FROM LP-2, CIRCUIT No.2
- WALL MOUNTED OUTLET - SIMILAR
AS ABOVE
- CEILING MOUNTED SINGLE OR DOUBLE EXIST
LIGHT SUITABLE FOR AC & DC
OPERATION - ARROW DENOTES DIRECTION OF
EXIT - SHADED AREA DENOTES LOCATION OF
SIGN
- WALL MOUNTED EXIT LIGHT - SIMILAR
TO THE ABOVE
- EMERGENCY D.C. BATTERY LIGHTING UNIT
WITH NUMBER OF HEADS AS SHOWN, C/W
MOUNTING BRACKET & ONE RECEPTACLE
WH. 2500 A F.F. UNLESS OTHERWISE NOTED
RECEPTACLE 15AMP 120V SIMPLEX WITH
LOCKING CLIP ON BREAKER
- WALL MOUNTED REMOTE D.C. EMERGENCY
LIGHTING FIXTURE WITH NUMBER OF
HEADS AS SHOWN, CONNECT TO REMOTE
D.C. BATTERY LIGHTING UNIT
DC-3 - BESIDE SYMBOL DENOTES BATTERY
UNIT TO CONNECT TO
- FLOOD LIGHT, TYPE P
- SINGLE POLE SWITCH 120V, 20A
3 - BESIDE SYMBOL DENOTES 3-WAY
- MULTI-GANGED SINGLE SWITCHES
(2 SHOWN), 120V, 20A
- DUPLEX RECEPTACLE, 15AMP 120V
UNLESS OTHERWISE NOTED
C DENOTES MOUNTED ABOVE COUNTER
- DUPLEX RECEPTACLE 15AMP 120V
GROUND FAULT PROTECTED
- SIMPLEX 1/2 GROUND RECEPTACLE 15 AMP 120V
GROUND FAULT PROTECTED
- WELDING RECEPTACLE C/W CAP (PLUG) 575V 3PH
- 120 VOLT SINGLE PHASE OUTLET FOR
DIRECT CONNECTION AS INDICATED
- 120/208 VOLT SINGLE PHASE OUTLET FOR
DIRECT CONNECTION AS INDICATED
- 600 VOLT 3PH POWER OUTLET FOR
DIRECT CONNECTION AS INDICATED
- 600 VOLT 3PH POWER OUTLET FOR
WELDING UNLESS OTHERWISE NOTED
- DISCONNECT SWITCH
- MANUAL MOTOR STARTER C/W THERMAL
OVERLOAD DEVICE AND PILOT LIGHT
- MOTORIZED DAMPER - SUPPLIED
BY MECHANICAL DIVISION, INSTALLED
AND WIRED BY ELECTRICAL DIVISION



FLOOR PLAN - ELECTRICAL
SCALE 1/50



SINGLE LINE DIAGRAM



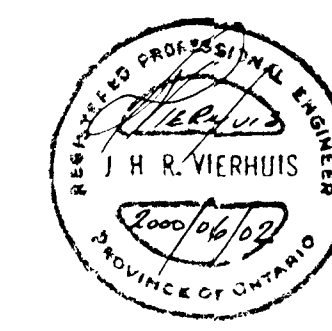
LP-A

- 120/208V 3PH 100AMP 4 WIRE MAINS SURFACE MOUNTED PANELBOARD PP-'A'
- ALL BREAKERS ARE 15AMP UNLESS OTHERWISE NOTED AND SUITABLE FOR SWITCHING DUTY (BOLT ON TYPE)

POWER PANEL PP-'A'

NOTES

No	Description	By	Date	App'd	Date
1	ISSUED FOR BLDG PERMIT APPLICATION	JLV	06 02 00	JLV	06 02 00



GREATER NAPANEE WATER SUPPLY & WATER POLLUTION CONTROL BOARD

R V Anderson Associates Limited
consulting engineers, architects, technology managers

Scale	Designed	Checked	Drawn	Project No	Date
1/50	JLV	JLV	AS	5182	MAY 2000

NAPANEE WATER POLLUTION CONTROL PLANT

HEADWORKS UPGRADE

ELECTRICAL

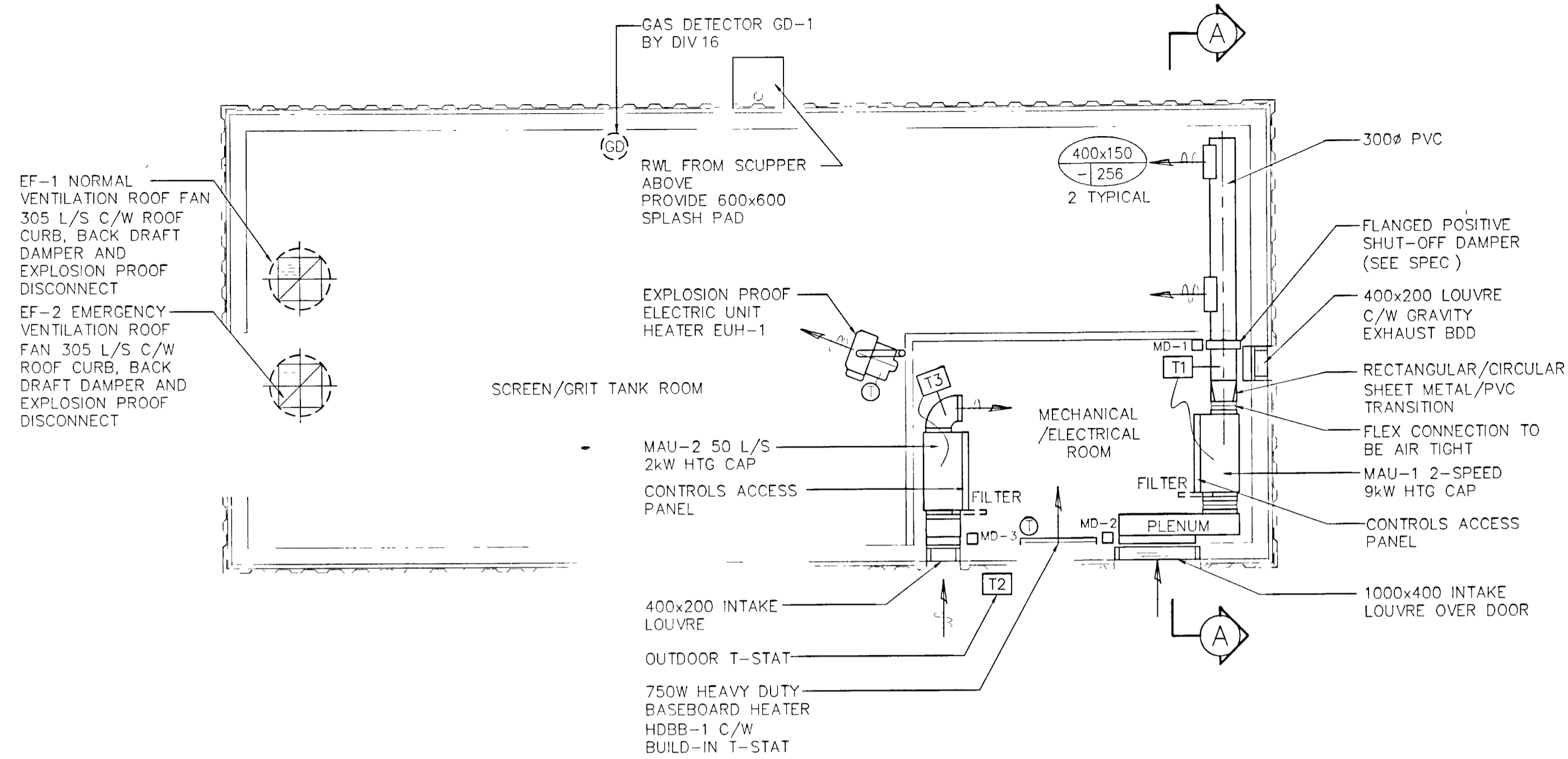
Dwg No

E1

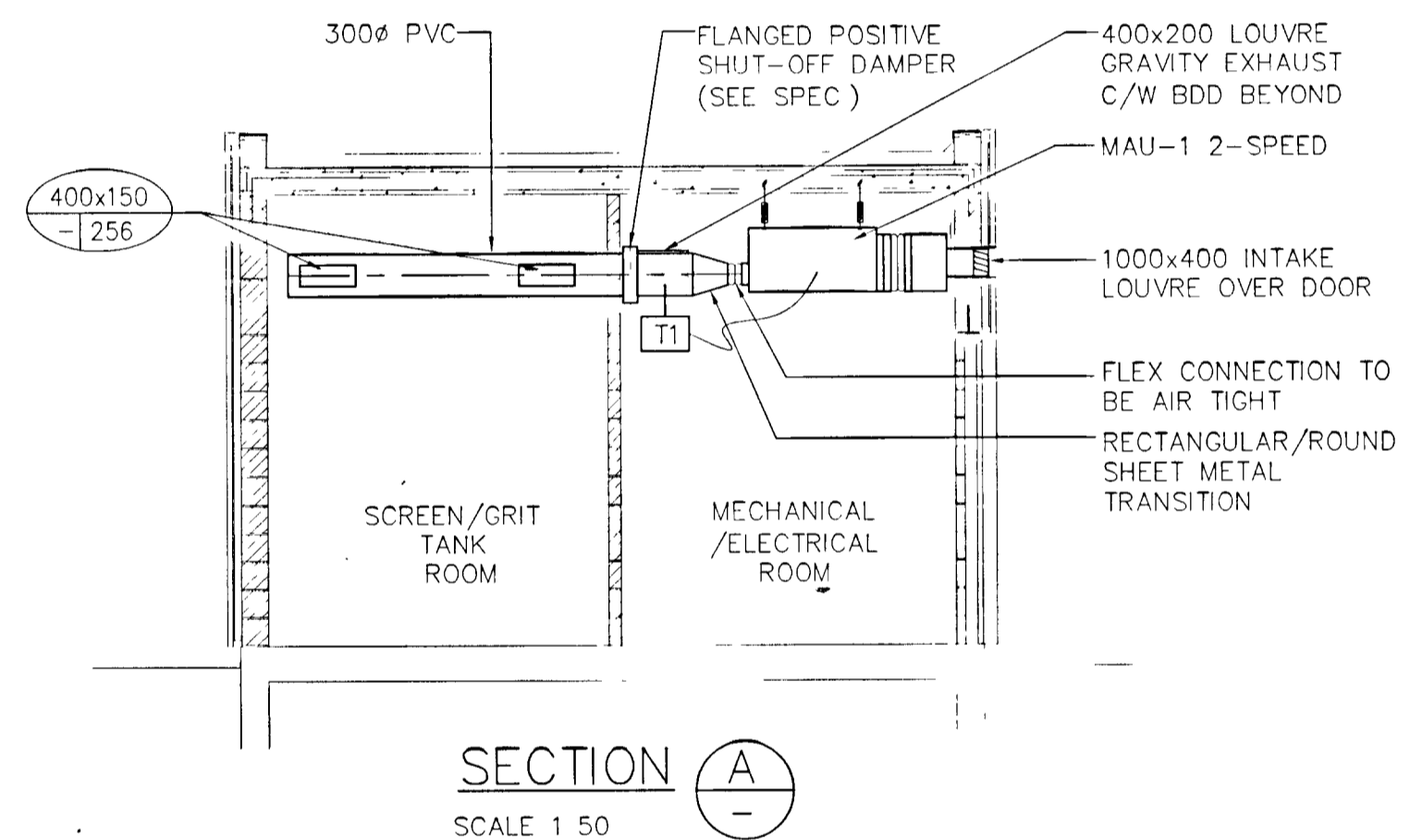
Issue 0



WPCP
137



FLOOR PLAN - MECHANICAL
SCALE 1/50



SECTION A
SCALE 1/50

STANDARD MECHANICAL LEGEND			
	THERMOSTAT	DIFFUSER GRILLE OR REGISTER TYPE	A 30x15mm 350L/S → SIZE → AIR QUANTITY
	DUCT MOUNTED THERMOSTAT		FLEXIBLE CONNECTION
	END SWITCH		HORIZONTAL (ELECT) UNIT HEATER WITH NUMBER
	MOTORIZED CONTROL DAMPER	AFF	ABOVE FINISHED FLOOR
	BACK DRAFT DAMPER	BDD	BACK DRAFT DAMPER
	SUPPLY AIR GRILLE	C/W	COMPLETE WITH
	45° RADIUS ELBOW	MD	MOTORIZED DAMPER
	90° RADIUS ELBOW		SQUARE ELBOW WITH AIRFOIL TURNING VANES

HEADWORKS HEATING AND VENTILATION SEQUENCE OF OPERATION

SCREEN/GRIT ROOM

- WHEN EF-1 IS ACTIVATED FROM THE CONTROL PANEL, THE POSITIVE SHUT OFF MOTORIZED DAMPER MD-1 IN THE SUPPLY DUCTWORK OF MAU-1 AND INTAKE DAMPER MD-2 OPEN AND AN END SWITCH ON THE DAMPER MOTOR STARTS MAU-1, EF-1 AND CONTROLS
- WHEN OUTSIDE TEMPERATURE IS BELOW 10°C, AS CONTROLLED BY OUTDOOR THERMOSTAT T2 AND GAS DETECTOR GD-1 SENSES <10% LEL, NORMAL VENTILATION EXHAUST FAN EF-1 AND LOW SPEED OF MAKE-UP AIR UNIT MAU-1 ARE ACTIVATED. DUCT MOUNTED THERMOSTAT T1 CONTROLS THE ELECTRIC HEATING COIL IN MAU-1 VIA A SCR CONTROLLER TO MAINTAIN SET POINT. SPACE IS VENTILATED CONTINUOUS AT 6 AIR CHANGES / HR
- WHEN OUTSIDE TEMPERATURE IS ABOVE 10°C, AS CONTROLLED BY OUTDOOR THERMOSTAT T2, OR GAS DETECTOR GD-1 SENSES > 10% LEL, MAU-1 SWITCHES TO HIGH SPEED AND EXHAUST FAN EF-2 STARTS. SPACE IS VENTILATED CONTINUOUS AT 12 AIR CHANGES / HR
- ON A DETECTION OF > 40% LEL BY GAS DETECTOR GD-1, SYSTEM SHALL SWITCH 'OFF' ALL EQUIPMENT IN SCREEN/GRIT ROOM THAT IS NOT CLASS I, GROUP D, DIV 1
- BUILT-IN THERMOSTAT CYCLES EXPLOSION PROOF (CLASS I, GROUP D, DIV 1) ELECTRIC UNIT HEATER TO MAINTAIN ROOM TEMPERATURE

ELECTRICAL ROOM

- WHEN MAU-2 IS ACTIVATED FROM THE CONTROL PANEL, MD-3 OPENS AND THE UNIT RUNS CONTINUOUS TO KEEP ROOM PRESSURIZED. DUCT MOUNTED THERMOSTAT T3 CONTROLS THE ELECTRIC HEATING COIL IN MAU-2 VIA A SCR CONTROLLER TO MAINTAIN SET POINT
- GRAVITY EXHAUST DAMPER RELIEVES EXCESS AIR
- BUILT-IN THERMOSTAT CYCLES WALL MOUNTED HEAVY DUTY BASE BOARD HEATER TO MAINTAIN ROOM TEMPERATURE

EQUIPMENT SPECIFICATIONS

GRID/SCREEN ROOM EXHAUST FANS EF-1 AND EF-2
BURLAHOFF FIBERGLASS CENTRIFUGAL BELT DRIVE ROOF EXHAUSTER (MARKETED BY GREENHECK) MODEL CB10-25, 300L/S AT 31 Pa STATIC PRESSURE 1/4 HP EXPLOSION PROOF MOTOR (CLASS I, GROUP D, DIV 1) C/W DISCONNECT, ALUMINUM CONSTRUCTION BACK DRAFT DAMPER AND PREFABRICATED ROOF CURB. POWER SUPPLY 120V/1/60

GRID/SCREEN ROOM MAKE-UP AIR UNIT MAU-1
CUSTOM CONTROL PANELS (AGENT K DYCK ENTERPRISES 416 425-6159) MODEL HAV 1209, 208V/3PH/60HZ, 9 KW, PACKAGED ELECTRIC HEATING AND VENTILATING UNIT, CAPABLE OF CONTINUOUSLY DELIVERING 260/520L/S AT 82 Pa ESP WITH 2-SPEED FAN MOTOR, HEATING BANK, AND CONTROLS FACTORY WIRED, ASSEMBLED AND TESTED WITH THE FOLLOWING MAJOR COMPONENTS:
- INSULATED STEEL CABINET, CORROSION PROTECTED GREY ENAMEL SUITABLE FOR INDOOR MOUNTING
- SINGLE INLET BLOWER(S) WITH FORWARD INCLINED FAN WHEEL(S)
- DIRECT DRIVE, 120V/1PH 2-SPEED MOTOR
- 208V 3PH 9 KW METAL SHEATHED TUBULAR ELEMENTS WITH OVER TEMPERATURE HIGH LIMITS.
- DIFFUSER SECTIONS SUPPLIED WITH SCR CONTROL
- FILTER SECTION FOR 25 MM DISPOSABLE MEDIUM EFFICIENCY PLEATED FILTER
- CONTROLS INCOMING SPLITTER AND CABLING ARRANGEMENT, MAGNETIC CONTACTOR, CONTROL TRANSFORMER, CONTROL CIRCUIT FUSE, CONTROL CIRCUIT SELECTOR SWITCH, TIME DELAY RELAY, AIR PRESSURE DIFFERENTIAL SWITCH AND TERMINAL BLOCK FOR CONNECTION OF CONTROLS
- DUCT MOUNTED TEMPERATURE SENSOR SHIPPED LOOSE FOR FIELD INSTALLATION
- ARRANGEMENT AS INDICATED ON THE DRAWINGS

ELECTRICAL ROOM MAKE-UP AIR UNIT MAU-2

CUSTOM CONTROL PANELS (AGENT K DYCK ENTERPRISES 416 425-6159) MODEL HAV 1202, 208V/1PH/60HZ, 2 KW, PACKAGED ELECTRIC HEATING AND VENTILATING UNIT, CAPABLE OF CONTINUOUSLY DELIVERING 50L/S AT 62 Pa ESP WITH FAN MOTOR, HEATING BANK AND CONTROLS FACTORY WIRED, ASSEMBLED AND TESTED WITH THE FOLLOWING MAJOR COMPONENTS:
- INSULATED STEEL CABINET, CORROSION PROTECTED GREY ENAMEL SUITABLE FOR INDOOR MOUNTING
- SINGLE INLET BLOWER WITH FORWARD INCLINED FAN WHEEL
- DIRECT DRIVE, 120V/1PH MOTOR
- 208V/1PH 2 KW METAL SHEATHED TUBULAR ELEMENT WITH OVER TEMPERATURE HIGH LIMIT.
- DIFFUSER SECTIONS SUPPLIED WITH SCR CONTROL
- FILTER SECTION FOR 25 MM DISPOSABLE MEDIUM EFFICIENCY PLEATED FILTER
- CONTROLS INCOMING SPLITTER AND CABLING ARRANGEMENT, MAGNETIC CONTACTOR, CONTROL TRANSFORMER, CONTROL CIRCUIT FUSE, CONTROL CIRCUIT SELECTOR SWITCH, TIME DELAY RELAY, AIR PRESSURE DIFFERENTIAL SWITCH AND TERMINAL BLOCK FOR CONNECTION OF CONTROLS
- DUCT MOUNTED TEMPERATURE SENSOR SHIPPED LOOSE FOR FIELD INSTALLATION
- ARRANGEMENT AS INDICATED ON THE DRAWINGS

ELECTRICAL ROOM ELECTRIC BASEBOARD HEATER HDBB-1

HEAVY DUTY BASE BOARD HEATER WITH SLOPED TOP, OUELLET CANADA INC MODEL OPR0758 750 W 208V/1PH C/W BUILT-IN THERMOSTAT

GRID/SCREEN ROOM ELECTRIC UNIT HEATER EUH-1

EXPLOSION PROOF (CLASS I, GROUP D, DIV 1) ELECTRIC UNIT HEATER, OUELLET CANADA INC MODEL OAX5038 5000 W, 208V/3PH C/W BUILT-IN THERMOSTAT AND WALL MOUNT BRACKET

DUCTWORK

DUCTWORK INSIDE THE ELECTRICAL ROOM SHALL BE OF 'SMACNA' STANDARD SHEET METAL CONSTRUCTION WITH THE EXCEPTION OF THE DISCHARGE DUCT FROM MAU-1, WHICH IS OF CIRCULAR PVC CONSTRUCTION WITH E.H. PRICE 7100 SERIES STAINLESS STEEL SUPPLY AIR GRILLES C/W S.S. DAMPER. A STAINLESS STEEL BUTTERFLY TYPE FLANGED MOTORIZED DAMPER AS MANUFACTURED BY SYNTAC, SHALL BE INSTALLED AT THE INSIDE OF THE ELECTRICAL ROOM WALL. DAMPER MOTOR SHALL BE DIRECT DRIVE BELIMO MODEL LF-120, 120V, 2 POSITION C/W END SWITCH

INSULATE DUCTWORK BETWEEN INTAKE DAMPERS AND MAKE-UP AIR UNITS WITH 25 MM FOIL FACED FIBERGLASS REINFORCED FLEXIBLE DUCT INSULATION, ATTACHED TO THE DUCTWORK WITH DURO-DYNE DYNASTICK SELF ADHESIVE HANGERS AND SLIP-ON WASHERS. TAPE ALL JOINTS WITH ALUMINUM FOIL SELF ADHESIVE TAPE

SEAL ALL JOINTS IN THE DUCTWORK, WHICH SUPPLIES THE SCREEN/GRIT ROOM WITH A PROPER 3M TYPE SEALANT TO MAKE IT AIR TIGHT

MOTORIZED DAMPERS

ALL MOTORIZED DAMPERS WITH THE EXCEPTION OF THE CIRCULAR S.S. DAMPER, SHALL BE TAMCO INSULATED DAMPER SERIES 9000 NO SUBSTITUTES. MOTORS SHALL BE DIRECT DRIVE BELIMO MODEL LF-120 2-POSITION 120V

LOUVRES

LOUVRES SHALL BE 100 MM DEEP MCGILL OR CONSTRUCTION SPECIALTIES EXTRUDED ALUMINUM FLANGED TYPE WITH STORM PROOF BLADES C/W AN ALUMINUM BIRD SCREEN. SIZES AS INDICATED

NOTES

WPCP 138

No	Description	By	Date	App'd	Date
1	ISSUED FOR BLDG PERMIT APPLICATION	<i>Jill</i>	06 02 00	<i>d</i>	06 02 00

GREATER NAPANEE WATER SUPPLY & WATER POLLUTION CONTROL BOARD

NAPANEE WATER POLLUTION CONTROL PLANT

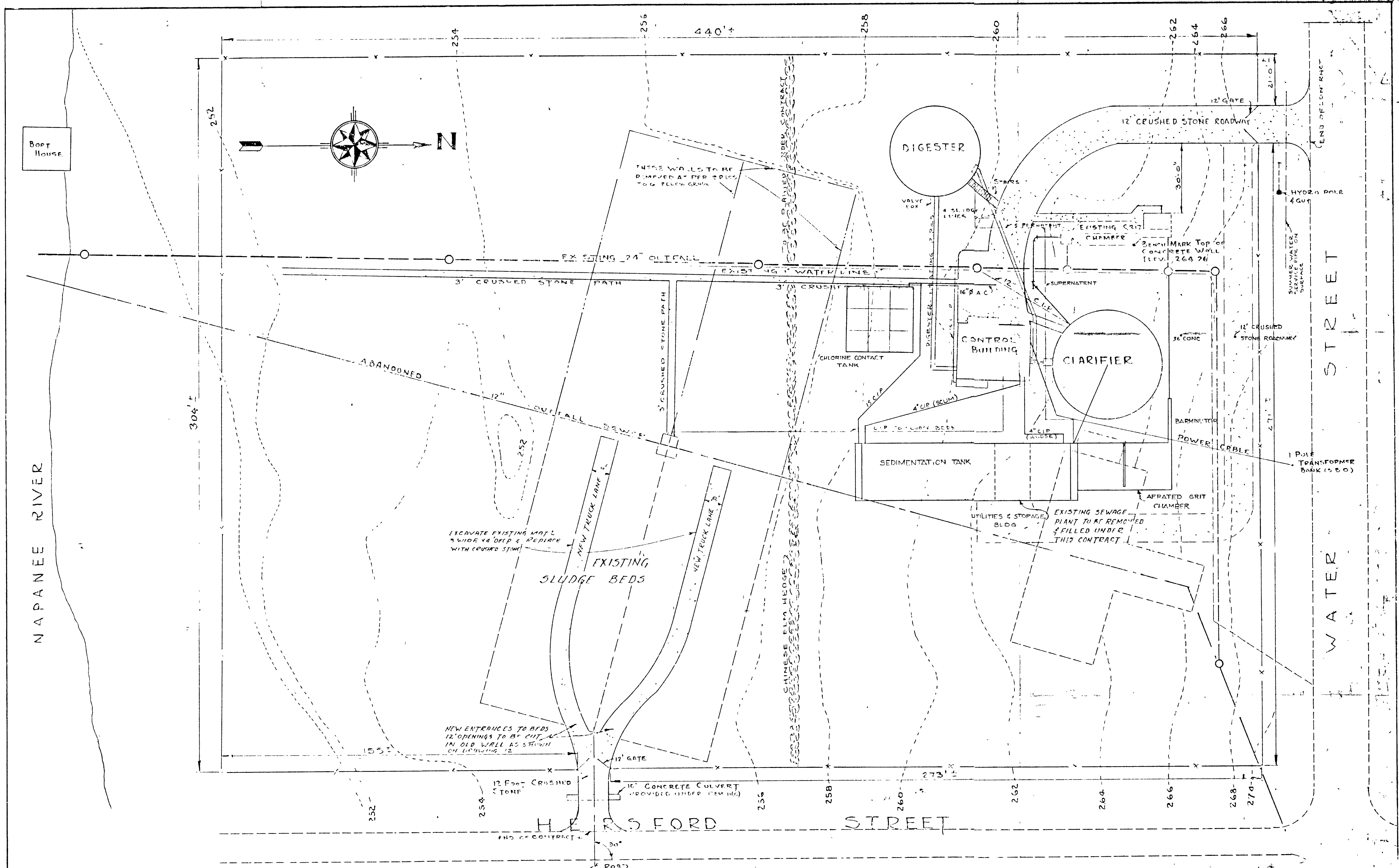
R V Anderson Associates Limited
consulting engineers architects technology managers

HEADWORKS UPGRADE

Scale	Designed	PC	Project No	
1/50	Checked	PC	5182	
	Drawn	OS	Date	MARCH, 00

Mechanical Dwg No M1 Issue 0

R:\5000\5182\Cad\wgs\Process\F-Sem\Issued to BLDG Permi\M1

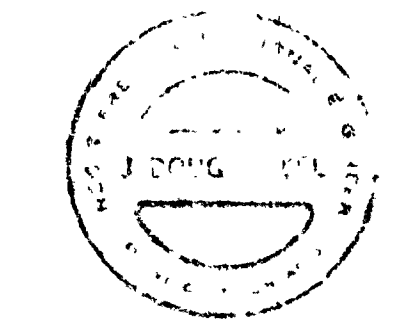


KEY

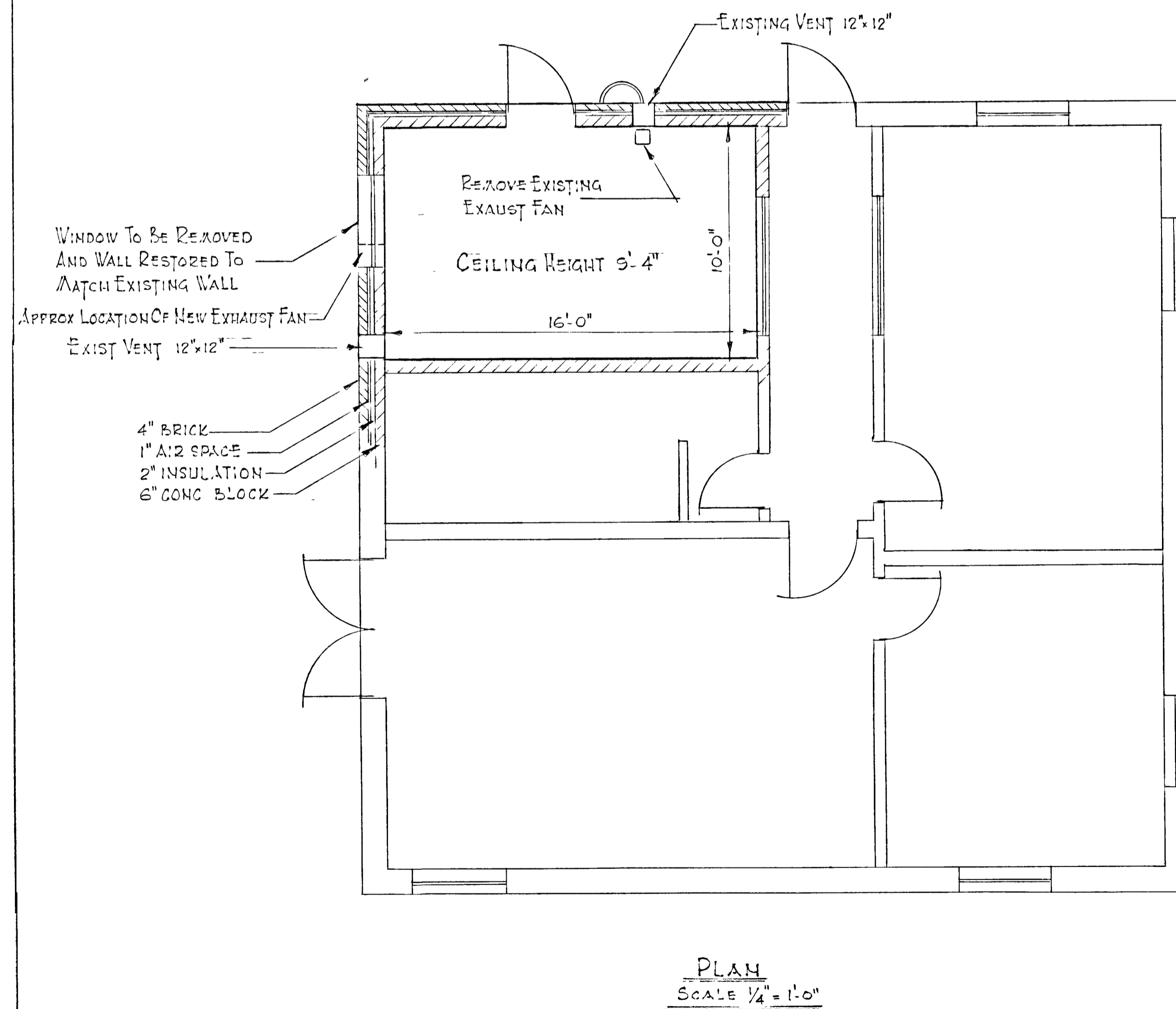
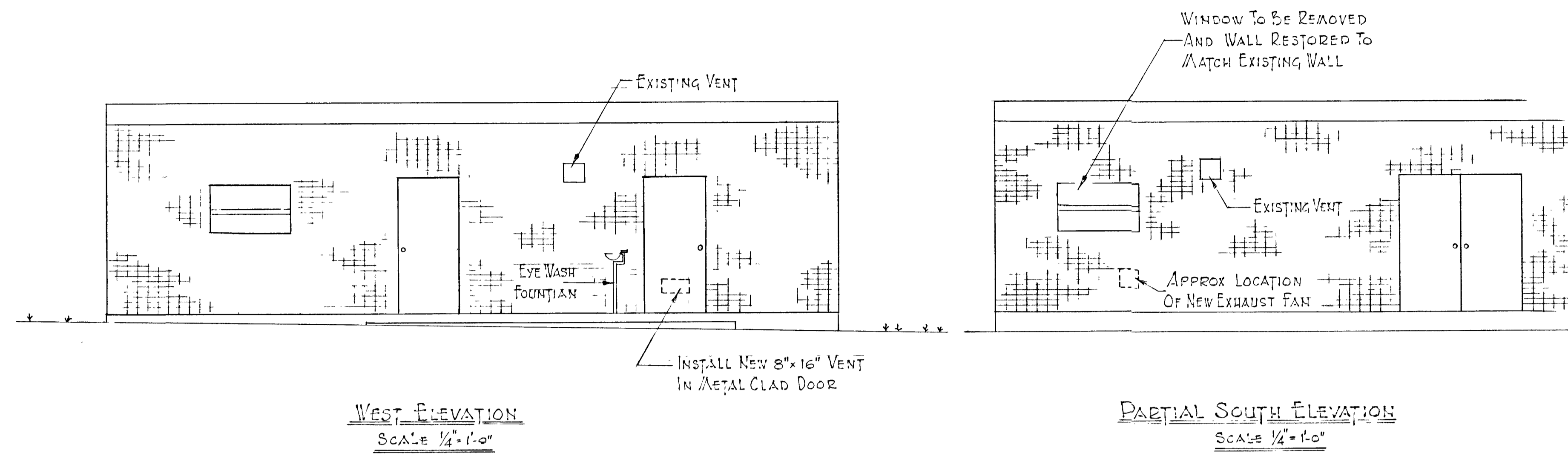
	NEW WORK
	EXISTING WORK
	EXISTING CONTOURS
	CHAIN LINK FENCE
	ROAD OR PATH UNDER CONTRACT



WPCP
139



NAPANEE ONTARIO					
SEWAGE TREATMENT PLANT					
PROPOSED EXTENSIONS					
J. D. LEE ENGINEERING LIMITED					
CONSULTING ENGINEERS - KINGSTON BRANTFORD ONT					
DESIGN	JDL	SCALE	1" = 20'	JOB NO	571
DWN	SJC	DWG NO	1033-C	SHEET	0
DATE	REVISION	CHK	QUANT	REVISION	0



NOTES:

1. THE EQUIPMENT MUST MEET THE FOLLOWING REQUIREMENTS.
 - PROVIDE GREATER THAN 30 AIR CHANGES PER HOUR
 - SUCTION SHALL BE A MAXIMUM OF 1M ABOVE FLOOR LEVEL
 - DISCHARGE SHALL BE AT LEAST 2.5M ABOVE GROUND LEVEL.
 - ELECTRICAL SWITCHING SHALL BE BY EITHER A SEPARATE SWITCH OR BY TURNING ON THE MAIN LIGHTS TO THE CHLORINE ROOM
2. PROPOSALS WILL BE ACCEPTED UNTIL 4.40 P.M. ON DECEMBER 17TH 1990
3. INTERESTED PARTIES SHOULD CONTACT
M.G. CHRISTIE, P.E.
MANAGER
4. ENSURE THE SWITCH FOR THE EMERGENCY VENTILATION IS LOCATED OUTSIDE THE CHLORINE ROOM ENTRANCE DOOR
5. STORAGE AND HANDLING OF CHLORINE SHALL BE IN ACCORDANCE WITH ENGINEERING DATA SHEET 4-25.

WARNING
 WORK WILL TAKE PLACE IN A HAZARDOUS ROOM.
 AS DEFINED UNDER OSHA

GREATER NAPANEE WATER SUPPLY & POLLUTION CONTROL BOARD		
PROJECT INSTALL NEW EXHAUST FAN & VENT IN CHLORINE ROOM WATER POLLUTION CONTROL PLANT		
APPROVED BY <i>[Signature]</i>		
DESIGN: M.G.C.	SCALE: AS NOTED	PROJECT NO. EB60-0002
DRAWN: R.W.A.	DATE: 20 DEC 90	DRAWING NO.
CHECKED: M.G.C.		



WPCP
140