



NEW NAPANEE WPCP

TOWN OF GREATER NAPANEE
NAPANEE, ONTARIO



KEY PLAN
N.T.S.



800 SECOND STREET WEST
CORNWALL, ONTARIO CANADA, K6J 1H6
TEL: 613-935-3775 | FAX: 613-935-6450
WEBSITE: EVBengineering.com



**ISSUED FOR TENDER
NOT FOR CONSTRUCTION**

DATE: 2025/01/23

DRAWING LIST

GENERAL

- G0001 COVER SHEET
- G0002 DRAWING LIST
- G0003 GENERAL OVERALL SITE KEY PLAN AND BUILDING INDEX PLAN
- G0004 HYDRAULIC GRADE LINE
- G0005 PROCESS FLOW DIAGRAM
- G0006 PROCESS FLOW DIAGRAM
- G0007 GEOLOGICAL BOREHOLES
- G0008 GEOLOGICAL CROSS SECTIONS

CIVIL

- C0100 REMOVALS SITE PLAN
- C0101 OVERALL SITE PLAN
- C0102 OVERALL SITE SERVICING PLAN
- C0201 PARTIAL SITE SERVICING PLAN
- C0202 PARTIAL SITE SERVICING PLAN
- C0203 PARTIAL SITE SERVICING PLAN
- C0204 PARTIAL SITE SERVICING PLAN
- C0205 SITE YARD PIPING
- C0206 PARTIAL SITE SERVICING PLAN BUILDING SUBDRAINS
- C0207 EXISTING INFLUENT CHAMBER MODIFICATIONS
- C0208 EXISTING CHLORINE CONTACT TANK MODIFICATION
- C0209 PARTIAL SITE GRADING
- C0210 PARTIAL SITE GRADING
- C0301 SANITARY PUMPING STATION
- C0302 NEW METERING CHAMBER
- C0401 DETAILS
- C0402 DETAILS
- C0403 DETAILS
- C0404 O.P.S.D.'S
- C0405 O.P.S.D.'S

ARCHITECTURAL

- A0001 GENERAL NOTES, SYMBOLS, & ABBREVIATIONS
- A0002 ASSEMBLIES & LEGENDS
- A0003 OVERALL SITE PLAN
- A0004 WASHROOM BARRIER FREE
- A0005 AODA FLOOR PLANS, NOTES & DETAILS
- A1001 HEADWORKS BUILDING OBC MATRIX, LIFE SAFETY PLANS & EBF ELEVATIONS
- A1102 HEADWORKS BUILDING PARTIAL GROUND FLOOR (ADMINISTRATION)
- A1103 HEADWORKS BUILDING PARTIAL GROUND FLOOR PLAN (HEADWORKS)
- A1104 HEADWORKS BUILDING REFLECTED CELING PLAN
- A1105 HEADWORKS BUILDING ROOF PLAN
- A1201 HEADWORKS BUILDING NORTH & EAST ELEVATIONS
- A1202 HEADWORKS BUILDING SOUTH & WEST ELEVATIONS
- A1301 HEADWORKS BUILDING BUILDING SECTIONS
- A1302 HEADWORKS BUILDING WALL SECTIONS
- A1401 LABORATORY INTERIOR ELEVATIONS
- A1402 MEN'S & BF WASHROOM
- A1403 WOMEN'S WASHROOM & TYP. SHOWER ELEVATIONS
- A3001 OPERATIONS BUILDING LIFE SAFETY PLAN
- A3002 OPERATIONS BUILDING LIFE SAFETY SECTIONS & EXPOSED BUILDING FACES
- A3101 OPERATIONS BUILDING 1ST & 2ND FLOOR PLANS
- A3102 OPERATIONS BUILDING ROOF PLAN
- A3103 OPERATIONS BUILDING STAIR ENLARGED PLANS AND SECTIONS
- A3301 OPERATIONS BUILDING ELEVATIONS
- A3302 OPERATIONS BUILDING SECTIONS
- A3303 OPERATIONS BUILDING STAIR ENLARGED PLANS AND SECTIONS

ARCHITECTURAL CONT'

- A3304 OPERATIONS BUILDING WALL SECTIONS
- A3305 OPERATIONS BUILDING WALL SECTIONS
- A4001 TERTIARY / UV BUILDING LIFE SAFETY PLAN
- A4002 TERTIARY / UV BUILDING LIFE SAFETY SECTIONS & EXPOSED BUILDING FACES
- A4101 TERTIARY / UV BUILDING BASEMENT FLOOR PLAN
- A4102 TERTIARY / UV BUILDING GROUND FLOOR PLAN
- A4103 TERTIARY / UV BUILDING ROOF PLAN
- A4301 TERTIARY / UV BUILDING NORTH & EAST ELEVATIONS
- A4302 TERTIARY / UV BUILDING SOUTH & WEST ELEVATIONS
- A4303 TERTIARY / UV BUILDING BUILDING SECTIONS
- A4304 TERTIARY / UV BUILDING BUILDING SECTIONS
- A4305 TERTIARY / UV BUILDING WALL SECTIONS
- A5001 SECTION DETAILS
- A5002 PLAN DETAILS & ROOF SECTION DETAILS
- A5003 ROOM & DOOR SCHEDULES

STRUCTURAL

- S0001 STRUCTURAL GENERAL NOTES
- S0401 STANDARD CONCRETE DETAILS SHEET 1
- S0402 STANDARD CONCRETE DETAILS SHEET 2
- S0403 STANDARD PRECAST CONCRETE DETAILS
- S0404 STANDARD METAL DETAILS
- S0405 STANDARD MASONRY DETAILS
- S1101 NEW HEADWORKS FOUNDATION PLANS AT EL 79.400
- S1102 NEW HEADWORKS FLOOR PLANS AT EL 81.760
- S1103 NEW HEADWORKS BUILDING ROOF PLAN
- S1301 NEW HEADWORKS BUILDING SECTIONS SHEET 1
- S1302 NEW HEADWORKS BUILDING SECTIONS SHEET 2
- S1303 NEW HEADWORKS BUILDING SECTIONS SHEET 3
- S1304 NEW HEADWORKS BUILDING DETAILS
- S1311 NEW SLUDGE BUFFER TANKS - SECTIONS
- S1312 NEW INTERMEDIATE PUMPING STATION SECTIONS
- S1313 NEW INTERMEDIATE PUMPING STATION ADDITIONAL WALL REBAR ELEVATIONS
- S1314 NEW INTERMEDIATE PUMPING STATION - BEAM ELEVATION AND DETAILS
- S2101 NEW AGS TANKS - BASE PLAN
- S2102 NEW AGS TANKS - TOP PLAN
- S2301 NEW AGS TANKS - SECTIONS
- S2302 NEW AGS TANKS - WALL SECTIONS AND DETAILS
- S2401 NEW AGS TANKS - BASE SLAB REINF.
- S2402 NEW AGS TANKS - WALL REINFORCEMENT
- S2701 NEW AGS TANKS - 3D VIEW
- S3101 NEW OPERATIONS BUILDING - FIRST AND SECOND FLOOR PLANS
- S3102 NEW OPERATIONS BUILDING - ROOF PLAN
- S3301 NEW OPERATION BUILDING - SECTION SHEET 1
- S3302 NEW OPERATION BUILDING - SECTION SHEET 2
- S3303 NEW OPERATIONS BUILDING WALL ELEVATIONS REBAR
- S3401 NEW OPERATIONS BUILDING BEAM AND COLUMN DETAILS
- S3402 NEW OPERATIONS BUILDING DETAILS
- S4101 NEW TERTIARY / UV BUILDING - FOUNDATION AND GROUND FLOOR PLAN
- S4102 NEW TERTIARY / UV BUILDING - INTERMEDIATE ROOF AND ROOF PLAN
- S4301 NEW TERTIARY / UV BUILDING - SECTION SHEET 1
- S4302 NEW TERTIARY / UV BUILDING - SECTION SHEET 2

STRUCTURAL CONT'

- S4303 NEW TERTIARY / UV BUILDING - SECTION SHEET 3
- S4304 NEW TERTIARY / UV BUILDING - WALL ELEVATION REBAR
- S4401 NEW TERTIARY / UV BUILDING - DETAILS, COLUMN AND BEAM ELEVATION

PROCESS

- P0001 GENERAL NOTES, NOMENCLATURE, AND DETAIL
- P0002 GENERAL NOTES, NOMENCLATURE, AND DETAIL
- P0003 PROCESS & INSTRUMENT DIAGRAM
- P0004 PROCESS & INSTRUMENT DIAGRAM
- P0005 PROCESS & INSTRUMENT DIAGRAM
- P0006 PROCESS & INSTRUMENT DIAGRAM
- P0007 PROCESS & INSTRUMENT DIAGRAM
- P0008 PROCESS & INSTRUMENT DIAGRAM
- P0009 PROCESS & INSTRUMENT DIAGRAM
- P0010 PROCESS & INSTRUMENT DIAGRAM
- P0011 PROCESS & INSTRUMENT DIAGRAM
- P0012 PROCESS & INSTRUMENT DIAGRAM
- P0013 PROCESS & INSTRUMENT DIAGRAM
- P0014 PROCESS & INSTRUMENT DIAGRAM
- P0015 PROCESS & INSTRUMENT DIAGRAM
- P0016 PROCESS & INSTRUMENT DIAGRAM
- P0017 PROCESS GENERAL NOTES AND LEGEND
- P0020 VALVE LIST
- P0021 VALVE LIST
- P0401 PROCESS DETAILS (1)
- P0402 PROCESS DETAILS (2)
- P0403 PROCESS DETAILS (3)
- P0404 PROCESS DETAILS (4)
- P0405 PROCESS DETAILS (5)
- P0406 DETAILS
- P0407 DETAILS
- P0408 DETAILS
- P0409 DETAILS
- P0410 PROCESS DETAILS CHANNEL GATES & WEIR GATES
- P0411 PROCESS DETAILS CHANNEL GATES & WEIR GATES
- P0412 PROCESS DETAILS CHANNEL GATES & WEIR GATES
- P1101 HEADWORKS BUILDING OVERALL PLAN - MAIN LEVEL
- P1102 HEADWORKS BUILDING OVERALL PLAN - BASEMENT LEVEL
- P1201 HEADWORKS BUILDING ENLARGE PLAN - HEADWORKS ROOM
- P1202 HEADWORKS BUILDING ENLARGE PLAN - SLUDGE BUFFER TANK
- P1203 HEADWORKS BUILDING ENLARGE PLAN - INTERMEDIATE PUMP STATION
- P1301 SECTIONS
- P1302 SECTIONS
- P1303 SECTIONS
- P1304 SECTIONS
- P1305 SECTIONS
- P1306 SECTIONS
- P1307 SECTIONS
- P1308 SECTIONS
- P2101 NEW AGS TANK LOWER PLAN
- P2102 NEW AGS TANKS UPPER LEVEL PLAN
- P2301 NEW AGS TANKS SECTIONS (1)
- P2302 NEW AGS TANKS SECTIONS (2)
- P2701 NEW AGS TANKS 3D VIEW
- P3101 OPERATIONS BUILDING LOWER LEVEL PLAN
- P3102 OPERATIONS BUILDING UPPER LEVEL PLAN
- P3301 OPERATIONS BUILDING SECTIONS 1
- P3302 OPERATIONS BUILDING SECTIONS 2
- P3701 OPERATIONS BUILDING 3D VIEWS 1
- P3702 OPERATIONS BUILDING 3D VIEWS 2

PROCESS CONT'

- P4101 TERTIARY UV BLDG LOWER PLAN
- P4102 TERTIARY UV BLDG UPPER PLAN
- P4301 TERTIARY UV BLDG SECTIONS (1)
- P4302 TERTIARY UV BLDG SECTIONS (2)
- P4701 TERTIARY UV BLDG 3D VIEWS
- P5101 EXISTING INFLUENT CHAMBER MODIFICATIONS
- P5102 EXISTING CHLORINE CONTACT TANK MODIFICATION

MECHANICAL

- M0001 MECHANICAL DRAWING LIST AND SCHEDULES
- M0002 MECHANICAL HEATING WATER SCHEDULE AND DETAILS
- M0003 MECHANICAL SITE PLAN
- M1101 HEADWORKS BUILDING - GROUND FLOOR HVAC
- M1102 HEADWORKS BUILDING - ROOF HVAC
- M1103 HEADWORKS BUILDING - FOUNDATION PLAN PLUMBING
- M1106 HEADWORKS BUILDING - GROUND FLOOR UTILITIES
- M3101 OPERATIONS BUILDING - GROUND FLOOR HVAC
- M3102 OPERATIONS BUILDING - SECOND FLOOR HVAC
- M3104 OPERATIONS BUILDING - FIRST FLOOR PLUMBING
- M3106 OPERATIONS BUILDING - ROOF PLUMBING
- M3108 OPERATIONS BUILDING - GROUND FLOOR UTILITIES
- M3109 OPERATIONS BUILDING - SECOND FLOOR UTILITIES
- M4101 TERTIARY / UV BUILDING - GROUND FLOOR HVAC
- M4102 TERTIARY / UV BUILDING - GROUND FLOOR UTILITIES
- M4103 TERTIARY / UV BUILDING - GROUND FLOOR PLUMBING

ELECTRICAL

- E0001 ELECTRICAL LEGEND AND GENERAL NOTES
- E0002 LIGHTING FIXTURE SCHEDULES
- E0011 EXISTING ELECTRICAL SITE PLAN / REMOVALS
- E0101 NEW ELECTRICAL SITE PLAN
- E0102 SITE PLAN DETAILS
- E0103 SITE PLAN DETAILS
- E0401 TYPICAL ELECTRICAL DETAILS
- E0402 TYPICAL ELECTRICAL DETAILS
- E0403 TYPICAL ELECTRICAL DETAILS
- E0404 TYPICAL ELECTRICAL DETAILS
- E0405 TYPICAL ELECTRICAL DETAILS
- E0406 TYPICAL ELECTRICAL DETAILS
- E0407 TYPICAL ELECTRICAL DETAILS
- E0408 TYPICAL ELECTRICAL DETAILS
- E0451 TYPICAL CONTROL PANEL LAYOUT DETAIL
- E0452 TYPICAL CONTROL PANEL LAYOUT DETAIL
- E0531 FIRE ALARM SYSTEM RISER DIAGRAM
- E0551 SITE NETWORK TOPOLOGY
- E0601 CONTROL SCHEMATIC NGR "NORMAL SUPPLY"
- E0602 CONTROL SCHEMATIC NGR "EMERGENCY SUPPLY"
- E0603 CONTROL SCHEMATIC INTERMEDIATE SEWAGE PUMPS AND RAW SEWAGE PUMPS
- E0604 CONTROL SCHEMATIC AERATION BLOWERS
- E0605 CONTROL SCHEMATIC W.A.S./R.A.S. SLUDGE TRANSFER PUMPS
- E0606 CONTROL SCHEMATIC TYPICAL OPEN-CLOSE VALVE/GATE
- E0607 CONTROL SCHEMATIC TYPICAL MODULATING VALVE/GATE
- E0608 CONTROL SCHEMATICS MISCELLANEOUS

ELECTRICAL CONT'

- E0651 TYPICAL INSTRUMENTATION LOOP WIRING SCHEMATICS 1 OF 2
- E0652 TYPICAL INSTRUMENTATION LOOP WIRING SCHEMATICS 2 OF 2
- E1101 HEADWORKS / ADMIN - AREA CLASSIFICATION AND CABLE TRAY LAYOUT
- E1111 HEADWORKS / ADMIN - POWER LAYOUT
- E1121 HEADWORKS / ADMIN - LIGHTING LAYOUT
- E1131 HEADWORKS / ADMIN - FIRE & SECURITY LAYOUT
- E1141 HEADWORKS / ADMIN - GAS DETECTION SYSTEM LAYOUT
- E1151 HEADWORKS / ADMIN - INSTRUMENTATION LAYOUT
- E1501 BUILDING 1000 HEADWORKS / ADMIN SINGLE LINE DIAGRAM
- E1511 PANEL SCHEDULES
- E1551 CP-100 WIRING DIAGRAM
- E1552 CP-101 WIRING DIAGRAM
- E2101 AGS TANKS - AREA CLASSIFICATION & CABLE TRAY LAYOUT
- E2111 AGS TANKS - POWER LAYOUT
- E2121 AGS TANKS LIGHTING LAYOUT
- E2151 AGS TANKS - INSTRUMENTATION LAYOUT
- E3101 OPERATIONS BUILDING - AREA CLASSIFICATION & CABLE TRAY LAYOUT
- E3111 OPERATIONS BUILDING - POWER LAYOUT
- E3121 OPERATIONS BUILDING - LIGHTING LAYOUT
- E3131 OPERATIONS BUILDING - FIRE & SECURITY LAYOUT
- E3141 OPERATIONS BUILDING - GAS DETECTION SYSTEM LAYOUT
- E3151 OPERATIONS BUILDING - INSTRUMENTATION LAYOUT
- E3501 BUILDING 3000 OPERATIONS SINGLE LINE DIAGRAM (1 OF 2)
- E3503 BUILDING 3000 OPERATIONS SINGLE LINE DIAGRAM (2 OF 2)
- E3511 LIGHTING PANEL SCHEDULES
- E3551 CP-300 WIRING DIAGRAM
- E3552 CP-301 WIRING DIAGRAM
- E3553 CP-302 WIRING DIAGRAM
- E4101 TERTIARY / UV BUILDING - CABLE TRAY LAYOUT
- E4111 TERTIARY / UV BUILDING - POWER LAYOUT
- E4121 TERTIARY / UV BUILDING - LIGHTING LAYOUT
- E4131 TERTIARY / UV BUILDING - FIRE & SECURITY LAYOUT
- E4151 TERTIARY / UV BUILDING - INSTRUMENTATION LAYOUT
- E4501 BUILDING 4000 UV / TERTIARY BUILDING SINGLE LINE DIAGRAM
- E4511 PANEL SCHEDULES
- E4551 CP-400 & CP-404 WIRING DIAGRAM
- E4552 CP-401, CP-402 & CP-403 WIRING DIAGRAM
- E5101 DIGESTERS - AREA CLASSIFICATION DRAWING
- E5111 DIGESTERS - MODIFIED POWER LAYOUT
- E5131 DIGESTERS - FIRE & SECURITY LAYOUT
- E5501 BUILDING 5000 DIGESTERS SINGLE LINE DIAGRAM

DATE	No	REVISION
2025/01/23	2	ISSUED FOR TENDER
2024/08/23	1	ISSUED FOR ECA APPROVAL

THE DRAWINGS, ARRANGEMENTS, ANNOTATIONS AND GRAPHICAL PRESENTATIONS ON THIS DOCUMENT ARE THE PROPERTY OF EVB ENGINEERING WHO RETAINS OWNERSHIP AND AUTHORSHIP OF THIS DOCUMENT IN ITS ENTIRETY. THIS DOCUMENT IS AN INSTRUMENT OF SERVICE AND IS THE INTELLECTUAL AND PHYSICAL PROPERTY OF EVB ENGINEERING. AUTHORIZED USE OF THIS DRAWING IS GRANTED SOLELY FOR THE PURPOSE OF THIS SPECIFIC PROJECT AND LOCATION, AND NOT FOR CONSTRUCTION OR USE FOR ANY OTHER PROJECT. COPYRIGHT © 2024 EVB ENGINEERING.



CONSULTANT:

800 SECOND STREET WEST
CORNWALL, ONTARIO CANADA, K6J 1H6
TEL: 613-935-3775 | FAX: 613-935-6450
WEBSITE: EVBengineering.com

SUB-CONSULTANT:

CLIENT:

Greater Napanee
SOLUTIONS FOR MANY REGIONS

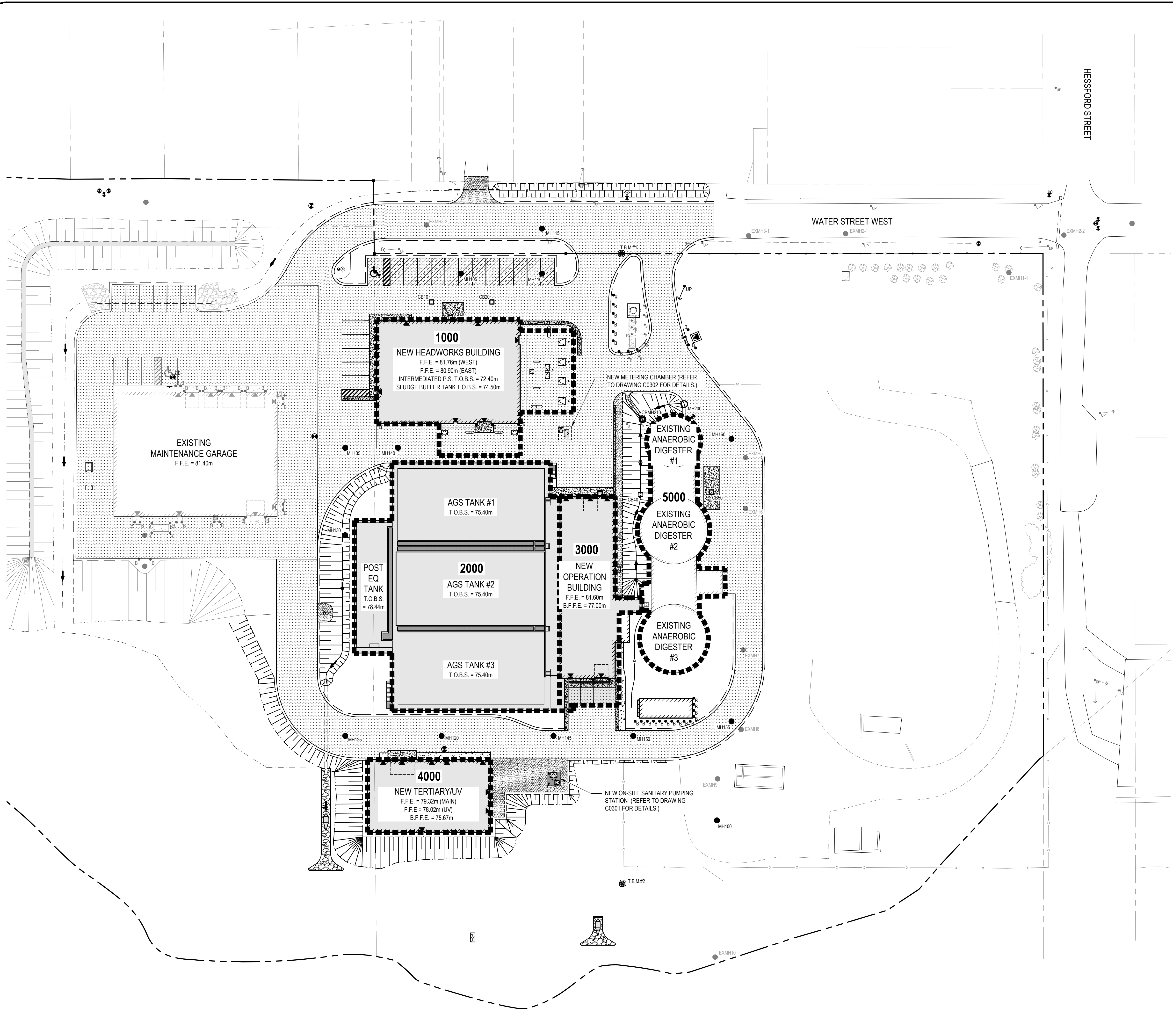
PROJECT:

NEW NAPANEE WPCP

TITLE:

DRAWING LIST

SCALE: N.T.S.	JOB NO: 22001
DESIGNED BY: K.B.W.	DATE: 2025/01/23
DRAWN BY: K.B.W.	DRAWING NO.
CHECKED BY: J.B.	G0002



LEGEND:

- BUILDING/PROCESS AREA INDEX**
- 1000 NEW HEADWORKS
 - 2000 NEW AGS TANKS
 - 3000 NEW OPERATION BUILDING:
 - SOLIDS THICKENER, AGS CONTROLS, TANK ACCESS
 - BIOGAS BOILER, PUMP GALLERY AND PIPING
 - MAIN ELECTRICAL
 - 4000 NEW TERTIARY/UUV BUILDING
 - TERTIARY FILTERS
 - UV DISINFECTION
 - 5000 EXISTING ANAEROBIC DIGESTERS
- NEW BUILDING
 EXISTING BUILDING

DRAWING BUBBLE IDENTIFICATION

- DENOTES "CALL-OUT/DETAIL" NUMBER
- DENOTES "DRAWING BUBBLE IDENTIFICATION"
 DENOTES SHEET SEQUENCE NUMBER
 DENOTES SHEET TYPE DESIGNATOR
 DENOTES BUILDING DESIGNATOR
 DENOTES DISCIPLINE DESIGNATOR
 A = ARCHITECTURAL
 C = CIVIL
 S = STRUCTURAL
 P = PROCESS
 M = MECHANICAL
 E = ELECTRICAL
- DENOTES "WALL SECTION" NUMBER
- DENOTES SHEET NUMBER
 REFERENCE LOCATION FOR "WALL SECTION", (REFER TO "BUBBLE IDENTIFICATION" NOTED ABOVE).
- DENOTES "BUILDING SECTION" LETTER
- DENOTES SHEET NUMBER
 REFERENCE LOCATION FOR "BUILDING SECTION", (REFER TO "BUBBLE IDENTIFICATION" NOTED ABOVE).

SHEET TYPE DESIGNATOR

- 0 GENERAL (SYMBOLS LEGEND, NOTES, P&ID'S ETC.)
- 1 PLANS (OVERALLS)
- 2 ENLARGE PLANS
- 3 ELEVATIONS/SECTIONS VIEWS
- 4 DETAILS
- 5 SCHEDULES & DIAGRAMS
- 6 REMOVALS PLANS
- 7 3D REPRESENTATION

TEMPORARY BENCH MARKS

T.B.M. No.	ELEV. (m)	T.B.M. DESCRIPTION
T.B.M.#1	81.46	TOP OF IRON BAR
T.B.M.#2	76.64	TOP OF IRON BAR

DATE	No.	REVISION
2025/01/23	2	ISSUED FOR TENDER
2024/08/23	1	ISSUED FOR ECA APPROVAL

THE DRAWINGS, ARRANGEMENTS, ANNOTATIONS AND GRAPHICAL PRESENTATIONS ON THIS DOCUMENT ARE THE PROPERTY OF EVB ENGINEERING WHO RETAINS OWNERSHIP AND AUTHORSHIP OF THIS DOCUMENT IN ITS ENTIRETY. THIS DOCUMENT IS AN INSTRUMENT OF SERVICE AND IS THE INTELLECTUAL AND PHYSICAL PROPERTY OF EVB ENGINEERING. AUTHORIZED USE OF THIS DRAWING IS GRANTED SOLELY FOR THE PURPOSE OF THIS SPECIFIC PROJECT AND LOCATION, AND NOT FOR CONSTRUCTION OR USE FOR ANY OTHER PROJECT. COPYRIGHT © 2024 EVB ENGINEERING.

T.N. = TRUE NORTH

EV B ENGINEERING
 800 SECOND STREET WEST
 CORNWALL, ONTARIO CANADA, K6J 1H6
 TEL: 613-935-3775 | FAX: 613-935-6450
 WEBSITE: EVBengineering.com

SUB-CONSULTANT:

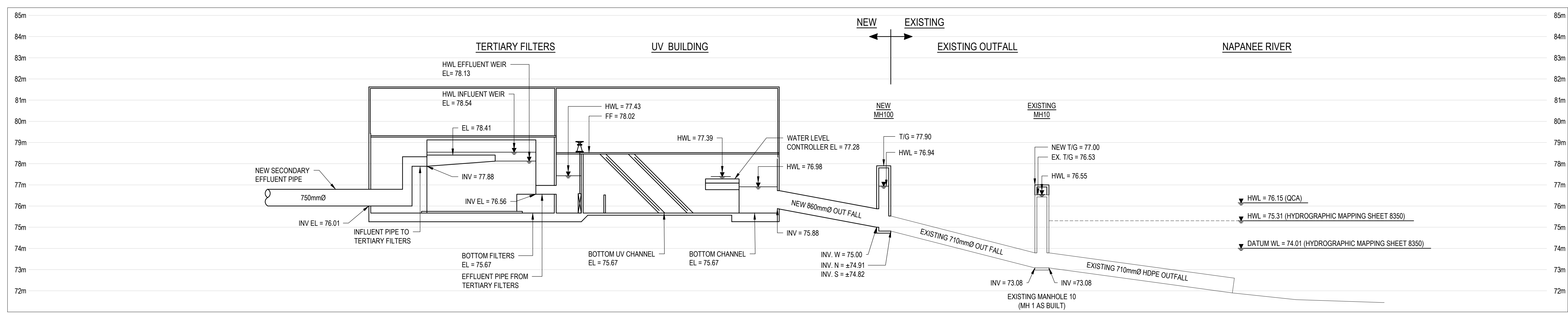
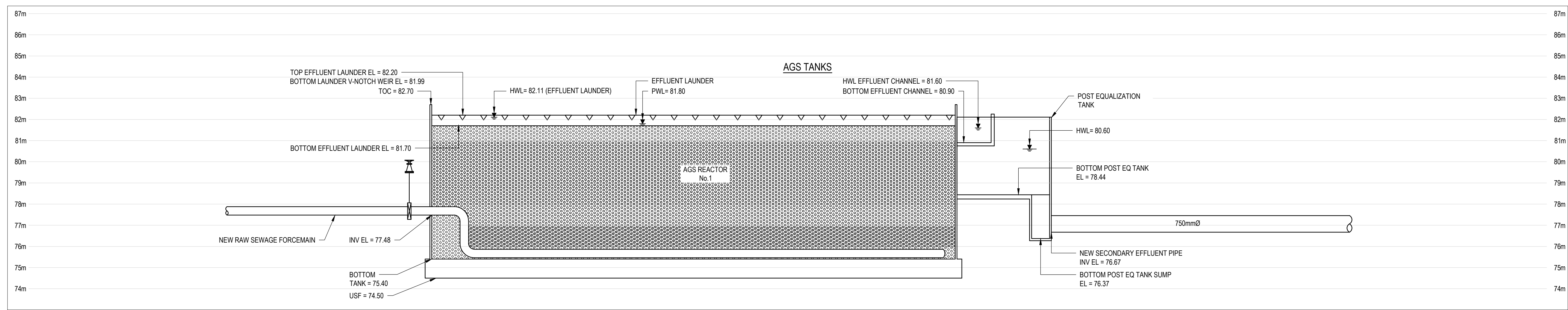
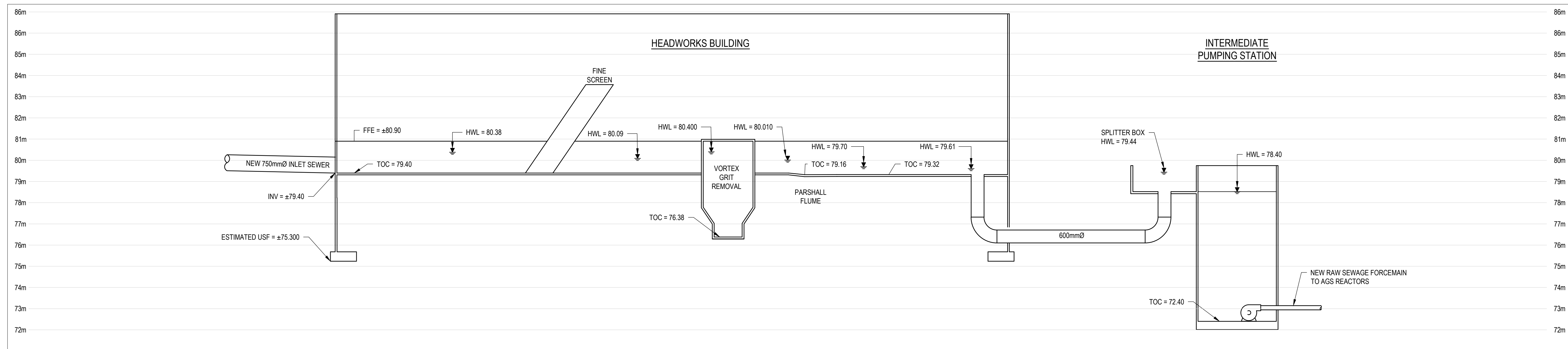
CLIENT:
Greater Napanee
 SERVICES FOR MANY RESIDENTS

PROJECT:
NEW NAPANEE WPCP

TITLE:
GENERAL OVERALL SITE KEY PLAN AND BUILDING INDEX PLAN

SCALE:	JOB NO:
1:400	22001
DESIGNED BY:	DATE:
J.B.	2025/01/23
DRAWN BY:	DRAWING NO.
K.B.W.	G0003
CHECKED BY:	
J.B.	

M:\2025\2001 - Napanee WPCP Upgrade\03 - WPCP\03 - General\03 - G0003 - 1.dwg, 2025-01-23 10:00 AM, BY: J.B. (J.B.)



LEGEND

H.W.L. HYDRAULIC GRADE LINE PEAK
FLOW EVENT

TOC TOP OF CONCRETE ELEVATION

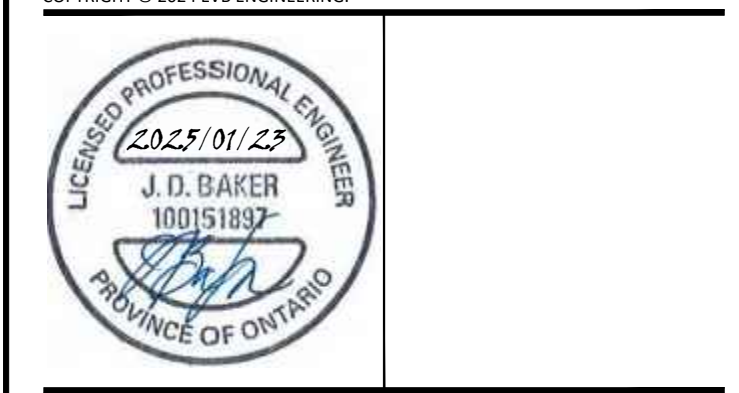
TIG TOP OF GRATE ELEVATION

HYDRAULIC DESIGN CRITERIA

MIN = 3,500m³/d
CURRENT = 7,500m³/d
ADF = 11,500m³/d
PDF = 30,600m³/d
PIF = 1,750m³/hr
RAS PEAK = 50-150% ADF
FILTRATE RETURN FLOW =
THICKENER =
TERTIARY =
DIGESTER SUPERNATANT =

DATE	No.	REVISION
2025/01/23	2	ISSUED FOR TENDER
2024/08/23	1	ISSUED FOR ECA APPROVAL

THE DRAWINGS, ARRANGEMENTS, ANNOTATIONS AND GRAPHICAL PRESENTATIONS ON THIS DOCUMENT ARE THE PROPERTY OF EVB ENGINEERING WHO RETAINS OWNERSHIP AND AUTHORSHIP OF THIS DOCUMENT IN ITS ENTIRETY. THIS DOCUMENT IS AN INSTRUMENT OF SERVICE AND IS THE INTELLECTUAL AND PHYSICAL PROPERTY OF EVB ENGINEERING. AUTHORIZED USE OF THIS DRAWING IS GRANTED SOLELY FOR THE PURPOSE OF THIS SPECIFIC PROJECT AND LOCATION, AND NOT FOR CONSTRUCTION OR USE FOR ANY OTHER PROJECT.
COPYRIGHT © 2024 EVB ENGINEERING.



CONSULTANT:

EVB ENGINEERING

800 SECOND STREET WEST
CORNWALL, ONTARIO CANADA, K6J 1H6
TEL: 613-935-3775 | FAX: 613-935-6450
WEBSITE: EVBengineering.com

SUB-CONSULTANT:

CIMA+

CLIENT:

Greater Napanee
SPECIALS FOR MANY REASONS

PROJECT:

NEW NAPANEE WPCP

TITLE:

HYDRAULIC GRADE LINE

SCALE:
H= NTS ; V= 1:100

DESIGNED BY:
J.G.

DRAWN BY:
D.C.

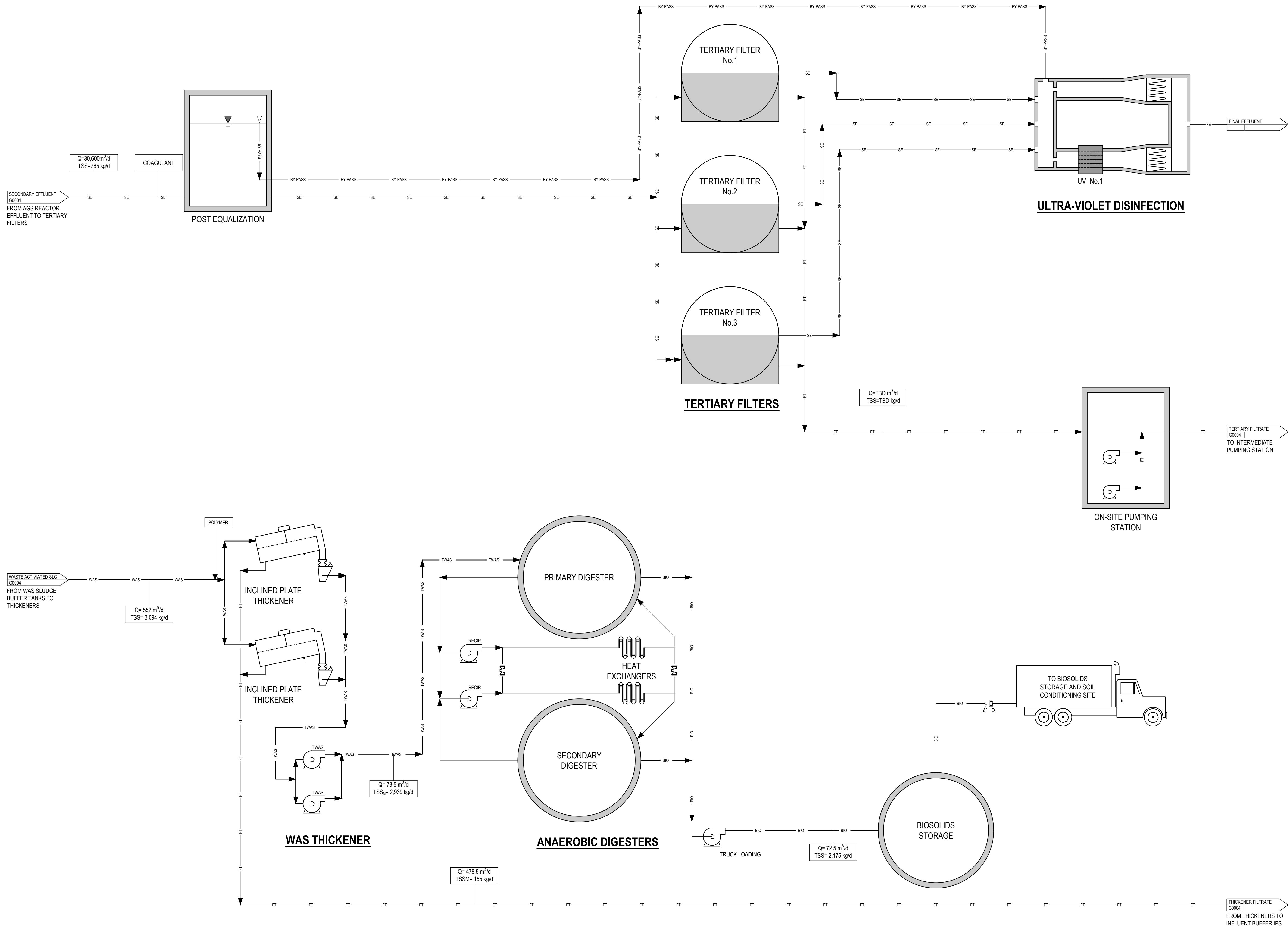
CHECKED BY:
J.G.

JOB NO:
22001

DATE:
2025/01/23

DRAWING NO.
G0004

1/10/2025 2:00:01 - Napanee WPCP Upgrade EID Draw - WPCP E - General EID - HGL.dwg - Jan 24, 2025 2:02pm BT/Ken.Wilkin



LEGEND

LIQUID STREAM

RAW	RAW SEWAGE
PI	PRIMARY INFLUENT
PE	PRIMARY EFFLUENT
ML	MIXED LIQUOR
SE	SECONDARY EFFLUENT
FE	FINAL EFFLUENT
FT	FILTRATE
SN	SUPERNATANT
BY-PASS	BY-PASS

SLUDGE STREAM

PS	PRIMARY SLUDGE
RAS/WAS	RETURN AND WASTER ACTIVATED SLUDGE
RAS	RETURN ACTIVATED SLUDGE
WAS	WASTE ACTIVATED SLUDGE
TWAS	THICKEN WASTE ACTIVATED SLUDGE
DS	DIGESTED SLUDGE
DWS	DEWATER SLUDGE

OTHER

AIR	AIR
PW	PROCESS WATER
GT	GRIT
SCN	SCREENINGS
SCM	SCUM

DATE	No.	REVISION
2025/01/23	2	ISSUED FOR TENDER
2024/08/23	1	ISSUED FOR ECA APPROVAL

THE DRAWINGS, ARRANGEMENTS, ANNOTATIONS AND GRAPHICAL PRESENTATIONS ON THIS DOCUMENT ARE THE PROPERTY OF EVB ENGINEERING WHO RETAINS OWNERSHIP AND AUTHORSHIP OF THIS DOCUMENT IN ITS ENTIRETY. THIS DOCUMENT IS AN INSTRUMENT OF SERVICE AND IS THE INTELLECTUAL AND PHYSICAL PROPERTY OF EVB ENGINEERING. AUTHORIZED USE OF THIS DRAWING IS GRANTED SOLELY FOR THE PURPOSE OF THIS SPECIFIC PROJECT AND LOCATION, AND NOT FOR CONSTRUCTION OR USE FOR ANY OTHER PROJECT. COPYRIGHT © 2024 EVB ENGINEERING.



CONSULTANT:
EVB ENGINEERING
 800 SECOND STREET WEST
 CORNWALL, ONTARIO CANADA, K6J 1H6
 TEL: 613-935-3775 | FAX: 613-935-6450
 WEBSITE: EVBengineering.com

SUB-CONSULTANT:
CIMA+

CLIENT:
Greater Napanee
 SERVICES FOR MANY REASONS

PROJECT:
NEW NAPANEE WPCP



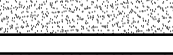
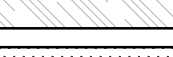


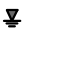


TITLE:
PROCESS FLOW DIAGRAM

SCALE: NTS	JOB NO: 22001
DESIGNED BY: J.B.	DATE: 2025/01/23
DRAWN BY: K.B.W.	DRAWING NO.
CHECKED BY: M.V.	G0006

M:\2025\20251 - Napanee WPCP Upgrade\03-Dwg - WPCP\6 - Gen\2025\G0006-6 - PFD.dwg, Jun 24, 2025, 2:30pm, BY: (User: jba)

M:\2025\20251 - Napanee WPCP Upgrade\01-00007-6 - GEC.dwg, Jun 24, 2025, 2:07pm, BY (Ken White)

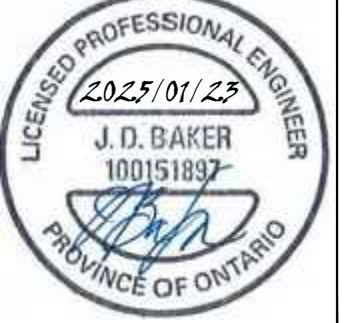
LEGEND

-  SILTY CLAY FILL / TOPSOIL
-  SANDY SILT
-  SILTY SAND
-  SILTY CLAY
-  PEAT MOSS / ORGANIC MATERIAL
-  LIMESTONE BEDROCK
-  BOREHOLE/MONITORING WELL LOCATION
-  AVERAGE SHALLOW GROUNDWATER LEVEL
-  APPROXIMATE DEPTH OF EXCAVATION

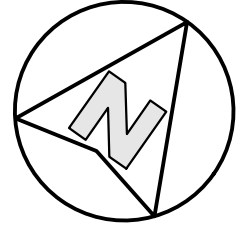
- NOTES:**
1. THE INTERPRETED SOIL STRATIGRAPHY REPRESENTS SIMPLIFIED SUBSURFACE CONDITIONS. THE SOIL STRATA HAS BEEN DEFINED AT THE BOREHOLE LOCATIONS ONLY. THE CONDITIONS BETWEEN BOREHOLE LOCATIONS HAVE BE INTERPRETED, BASED ON THE BOREHOLE RECORDS, AND COULD DIFFER FROM THE ILLUSTRATED CONDITIONS.
 2. FOR SEISMIC PROFILING OF THE BEDROCK, REFER TO THE "ROCK PROFILING AND SITE CLASSIFICATION FROM SEISMIC SURVEYS" REPORT PREPARED BY GEOPHYSICS GPR INTERNATIONAL INC. ON NOVEMBER 27, 2023.
 3. FOR DETAILED DESCRIPTIONS OF THE UNDERLYING SOIL CONDITIONS, CONTRACTOR TO REFER TO THE FOLLOWING GEOTECHNICAL REPORTS:
 - 3.1. GEOTECHNICAL DESIGN REPORT - REVISION 1, PREPARED BY THURBER ENGINEERING LTD. ON JUNE 5, 2024.
 - 3.2. HYDROGEOLOGICAL REPORT - REVISION 1, PREPARED BY THURBER ENGINEERING LTD. ON JULY 24, 2024.
 - 3.3. GEOTECHNICAL INVESTIGATION, PREPARED BY GHD ON NOVEMBER 29, 2018.
 - 3.4. GEOTECHNICAL INVESTIGATION PROPOSED TANK INSTALLATION, PREPARED BY INSPER-SOIL INC. ON NOVEMBER 15, 1999.
 - 3.5. STAGE 2 CONTRACT, SOIL INVESTIGATION, PREPARED BY J.D. LEE ENGINEERING LTD. ON OCTOBER 5, 1977.

DATE	NO.	REVISION
2025/01/23	2	ISSUED FOR TENDER
2024/08/23	1	ISSUED FOR ECA APPROVAL

THE DRAWINGS, ARRANGEMENTS, ANNOTATIONS AND GRAPHICAL PRESENTATIONS ON THIS DOCUMENT ARE THE PROPERTY OF EVB ENGINEERING WHO RETAINS OWNERSHIP AND AUTHORSHIP OF THIS DOCUMENT IN ITS ENTIRETY. THIS DOCUMENT IS AN INSTRUMENT OF SERVICE AND IS THE INTELLECTUAL AND PHYSICAL PROPERTY OF EVB ENGINEERING. AUTHORIZED USE OF THIS DRAWING IS GRANTED SOLELY FOR THE PURPOSE OF THIS SPECIFIC PROJECT AND LOCATION, AND NOT FOR CONSTRUCTION OR USE FOR ANY OTHER PROJECT. COPYRIGHT © 2024 EVB ENGINEERING.



J.D. BAKER
100151837
PROVINCE OF ONTARIO



CONSULTANT:



EVB
ENGINEERING

800 SECOND STREET WEST
CORNWALL, ONTARIO CANADA, K6J 1H6
TEL: 613-935-3775 | FAX: 613-935-6450
WEBSITE: EVBengineering.com

SUB-CONSULTANT:



CLIENT:



Greater Napanee
SOLUTIONS FOR MANY PROBLEMS

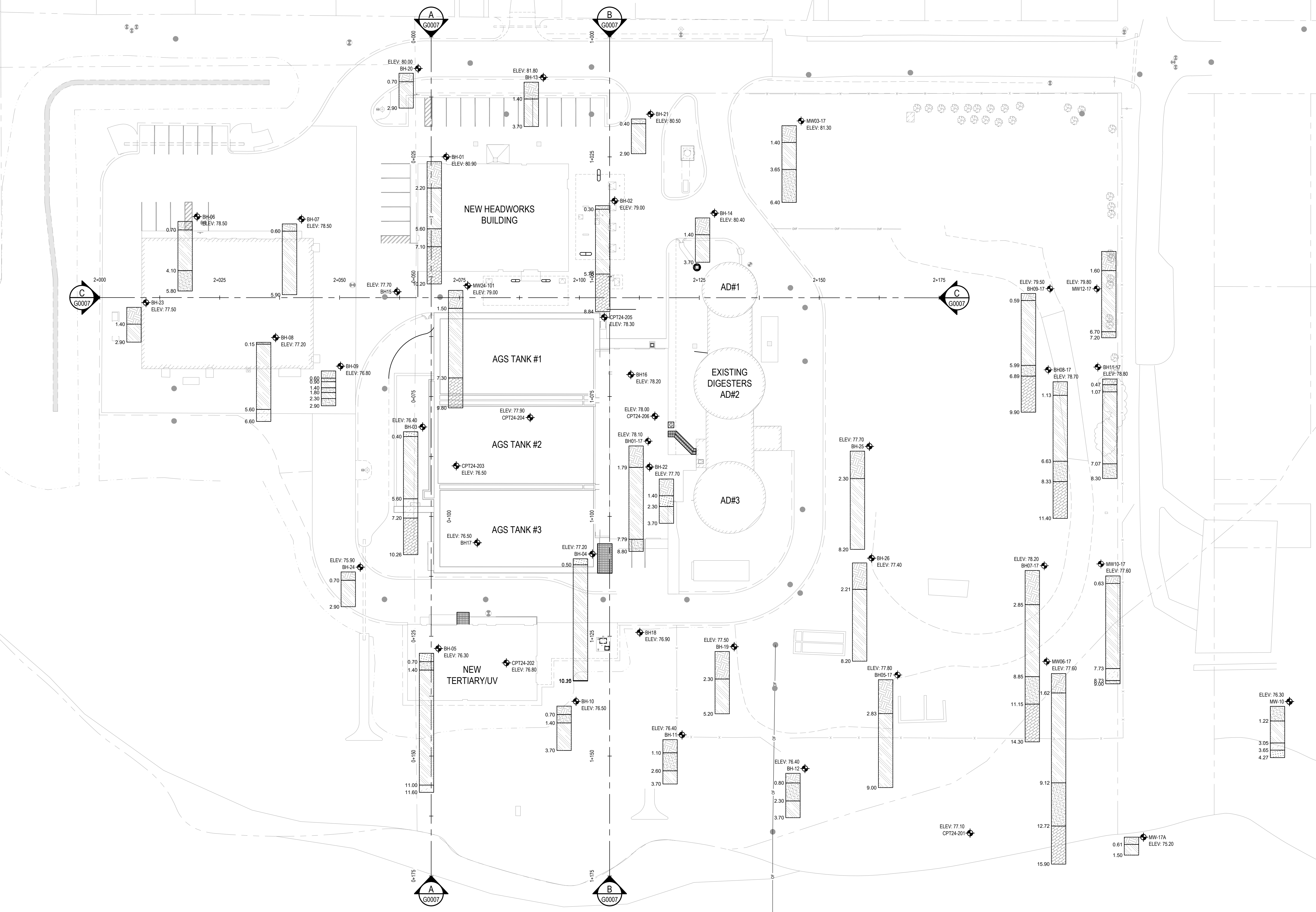
PROJECT:

NEW NAPANEE WPCP

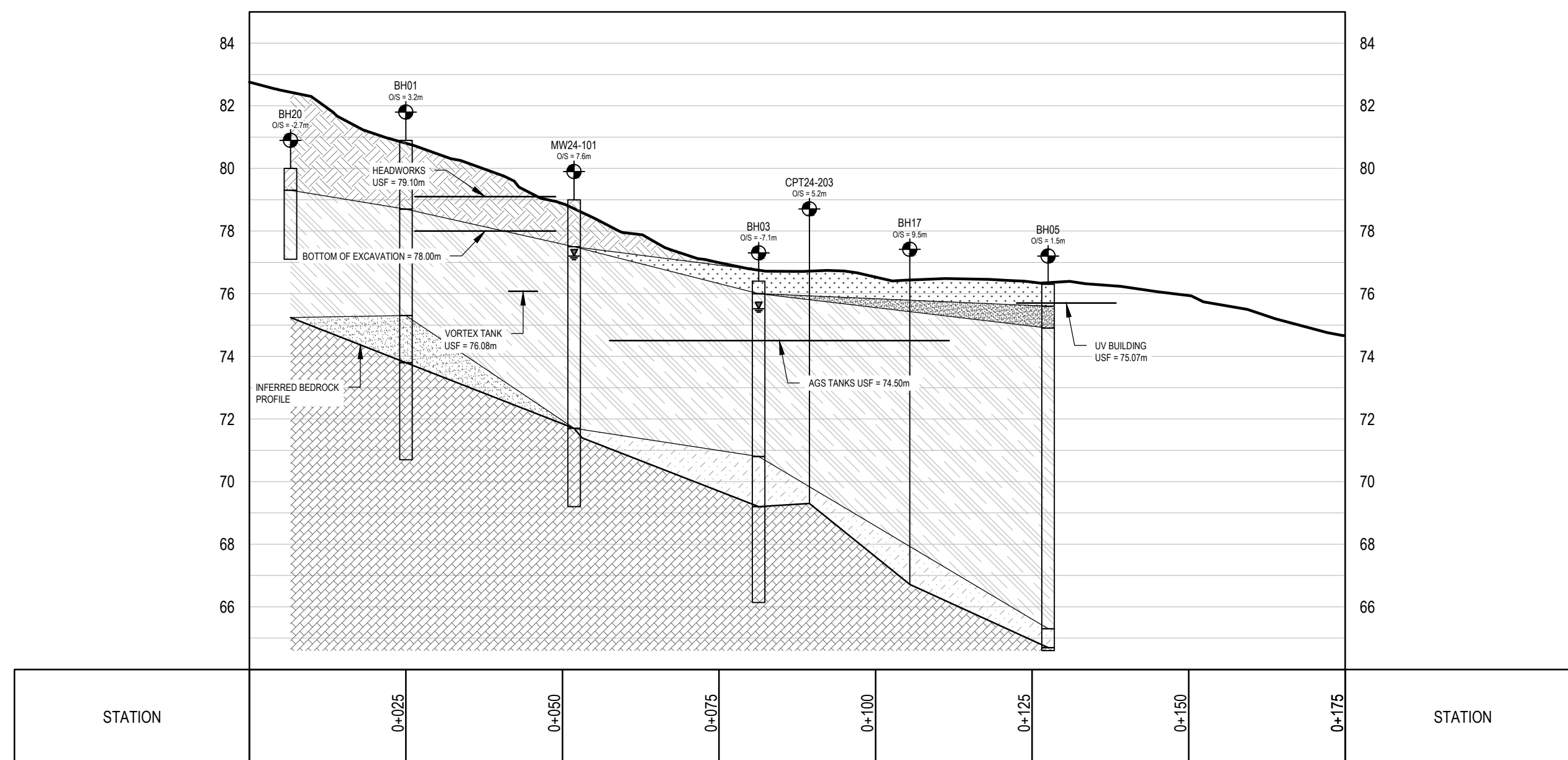
TITLE:

GEOLOGICAL BOREHOLES

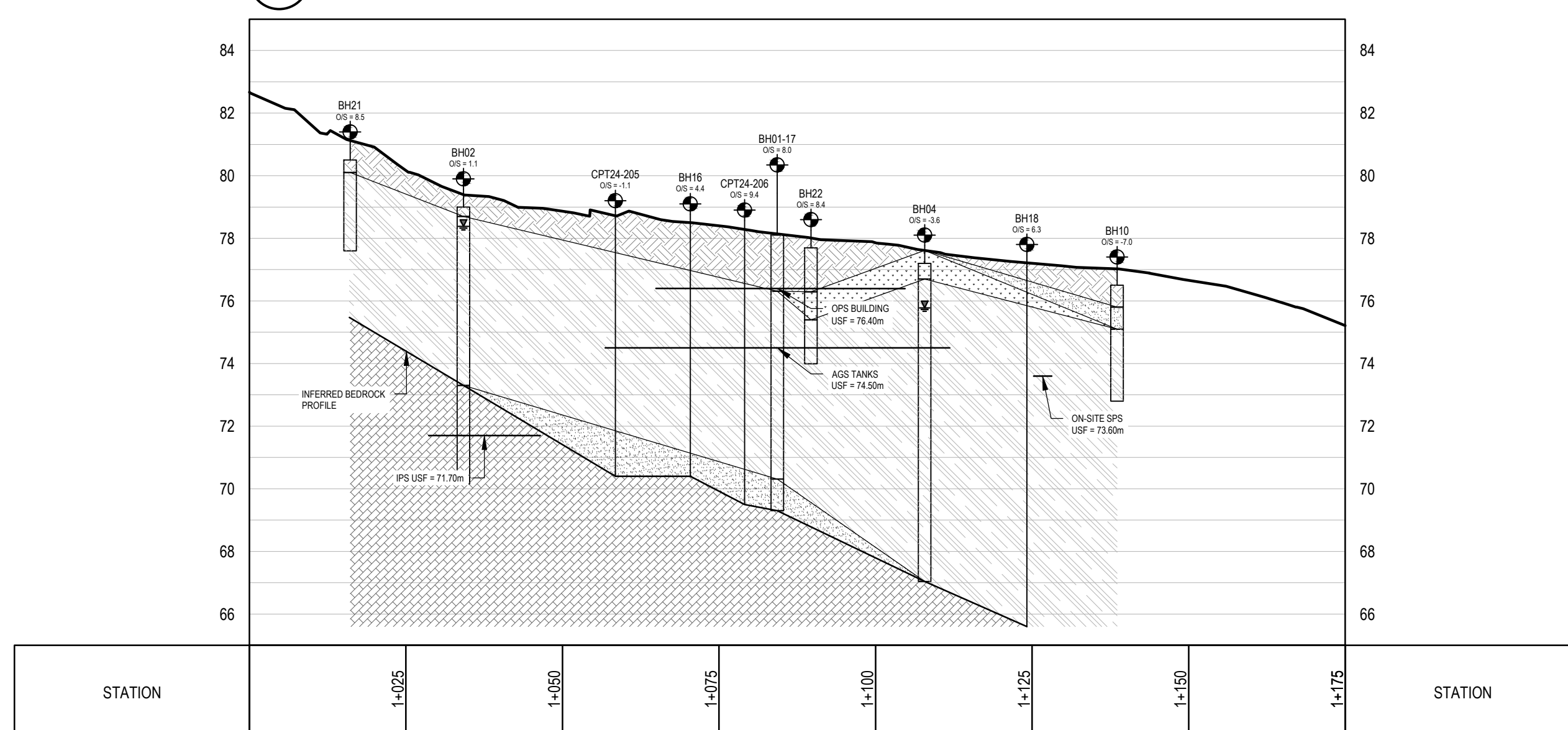
SCALE: 1:400	JOB NO: 22001
DESIGNED BY: -	DATE: 2025/01/23
DRAWN BY: A.P.	DRAWING NO.:
CHECKED BY: J.B.	G0007



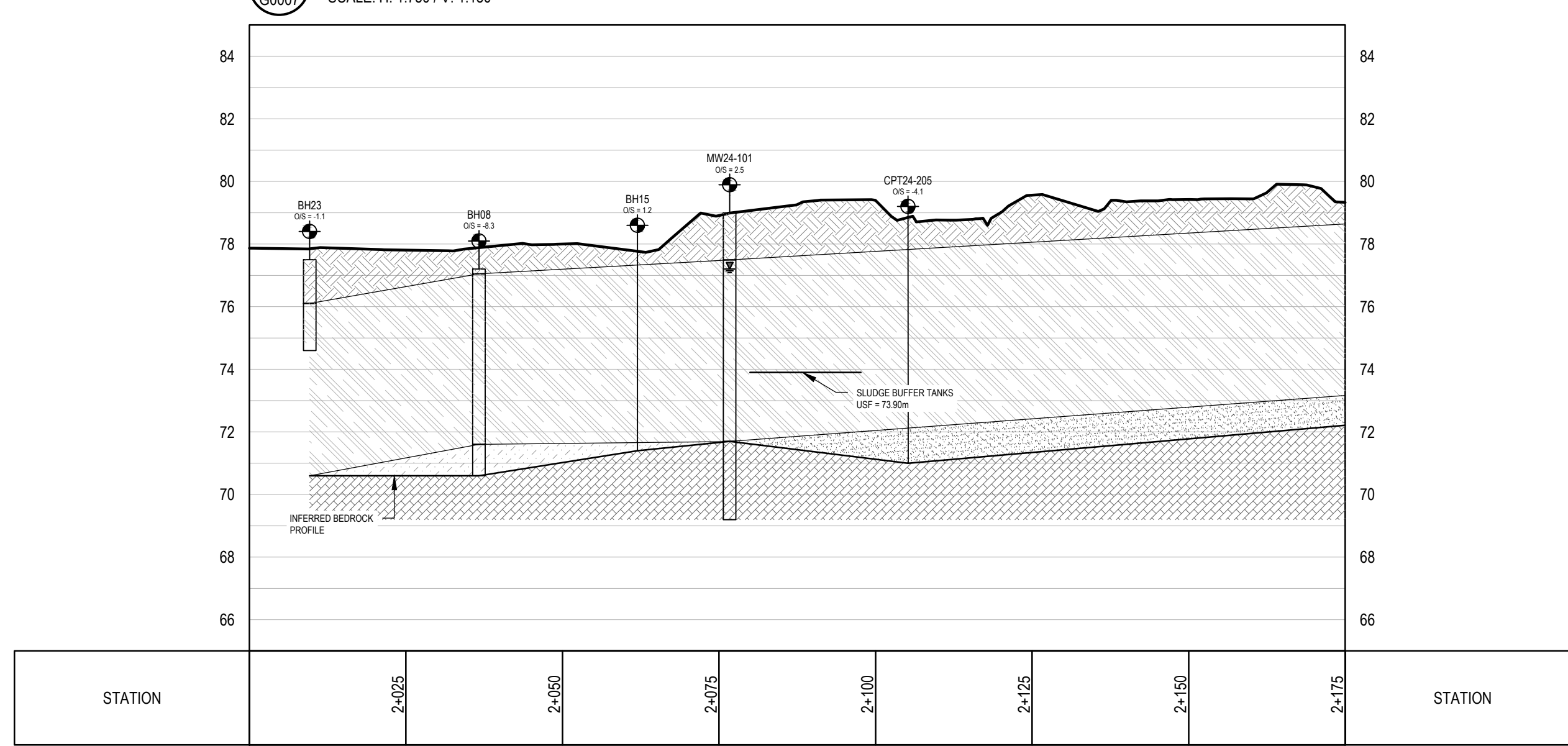
11/2022/20251 - Napanee WPCP Upgrade/EI/0 - WPCP/EI - Gen2/2021-000017-6 - GEC/amp - Jun 24, 2025 - 2:07pm - BY (Ken White)



A CROSS SECTION A-A
SCALE: H: 1:750 / V: 1:150



B CROSS SECTION B-B
SCALE: H: 1:750 / V: 1:150



C CROSS SECTION C-C
SCALE: H: 1:750 / V: 1:150

LEGEND

	SILTY CLAY FILL / TOPSOIL
	SANDY SILT
	SILTY SAND
	SILTY CLAY
	PEAT MOSS / ORGANIC MATERIAL
	LIMESTONE BEDROCK
	BOREHOLE/MONITORING WELL LOCATION
	AVERAGE SHALLOW GROUNDWATER LEVEL
	APPROXIMATE DEPTH OF EXCAVATION

- NOTES:**
- THE INTERPRETED SOIL STRATIGRAPHY REPRESENTS SIMPLIFIED SUBSURFACE CONDITIONS. THE SOIL STRATA HAS BEEN DEFINED AT THE BOREHOLE LOCATIONS ONLY. THE CONDITIONS BETWEEN BOREHOLE LOCATIONS HAVE BE INTERPRETED, BASED ON THE BOREHOLE RECORDS, AND COULD DIFFER FROM THE ILLUSTRATED CONDITIONS.
 - FOR SEISMIC PROFILING OF THE BEDROCK, REFER TO THE "ROCK PROFILING AND SITE CLASSIFICATION FROM SEISMIC SURVEYS" REPORT PREPARED BY GEOPHYSICS GPR INTERNATIONAL INC. ON NOVEMBER 27, 2023.
 - FOR DETAILED DESCRIPTIONS OF THE UNDERLYING SOIL CONDITIONS, CONTRACTOR TO REFER TO THE FOLLOWING GEOTECHNICAL REPORTS:
 - GEOTECHNICAL DESIGN REPORT - REVISION 1, PREPARED BY THURBER ENGINEERING LTD. ON JUNE 5, 2024.
 - HYDROGEOLOGICAL REPORT - REVISION 1, PREPARED BY THURBER ENGINEERING LTD. ON JULY 24, 2024.
 - GEOTECHNICAL INVESTIGATION, PREPARED BY GHD ON NOVEMBER 29, 2018.
 - GEOTECHNICAL INVESTIGATION PROPOSED TANK INSTALLATION, PREPARED BY INSPER-SOIL INC. ON NOVEMBER 15, 1999.
 - STAGE 2 CONTRACT. SOIL INVESTIGATION, PREPARED BY J.D. LEE ENGINEERING LTD. ON OCTOBER 5, 1977.

DATE	No.	REVISION
2025/01/23	2	ISSUED FOR TENDER
2024/08/23	1	ISSUED FOR ECA APPROVAL

THE DRAWINGS, ARRANGEMENTS, ANNOTATIONS AND GRAPHICAL PRESENTATIONS ON THIS DOCUMENT ARE THE PROPERTY OF EVB ENGINEERING WHO RETAINS OWNERSHIP AND AUTHORITY OF THIS DOCUMENT IN ITS ENTIRETY. THIS DOCUMENT IS AN INSTRUMENT OF SERVICE AND IS THE INTELLECTUAL AND PHYSICAL PROPERTY OF EVB ENGINEERING. AUTHORIZED USE OF THIS DRAWING IS GRANTED SOLELY FOR THE PURPOSE OF THIS SPECIFIC PROJECT AND LOCATION, AND NOT FOR CONSTRUCTION OR USE FOR ANY OTHER PROJECT. COPYRIGHT © 2024 EVB ENGINEERING.



CONSULTANT:

 800 SECOND STREET WEST
 CORNWALL, ONTARIO CANADA, K6J 1H6
 TEL: 613-935-3775 | FAX: 613-935-6450
 WEBSITE: EVBengineering.com

SUB-CONSULTANT:

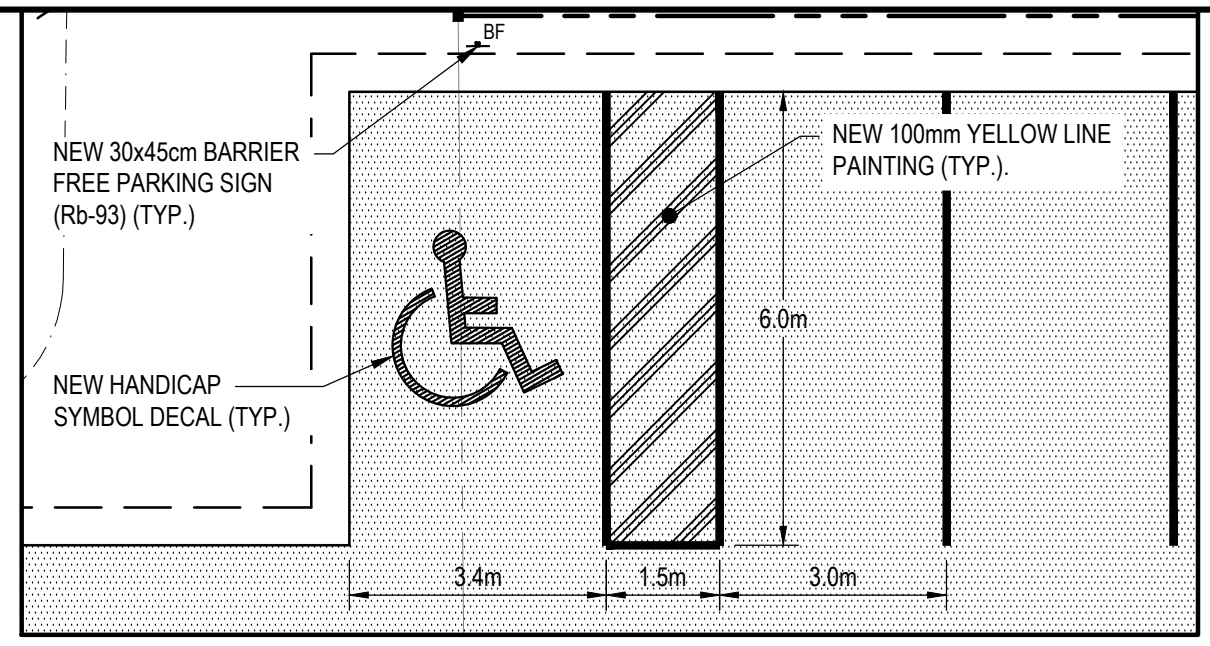
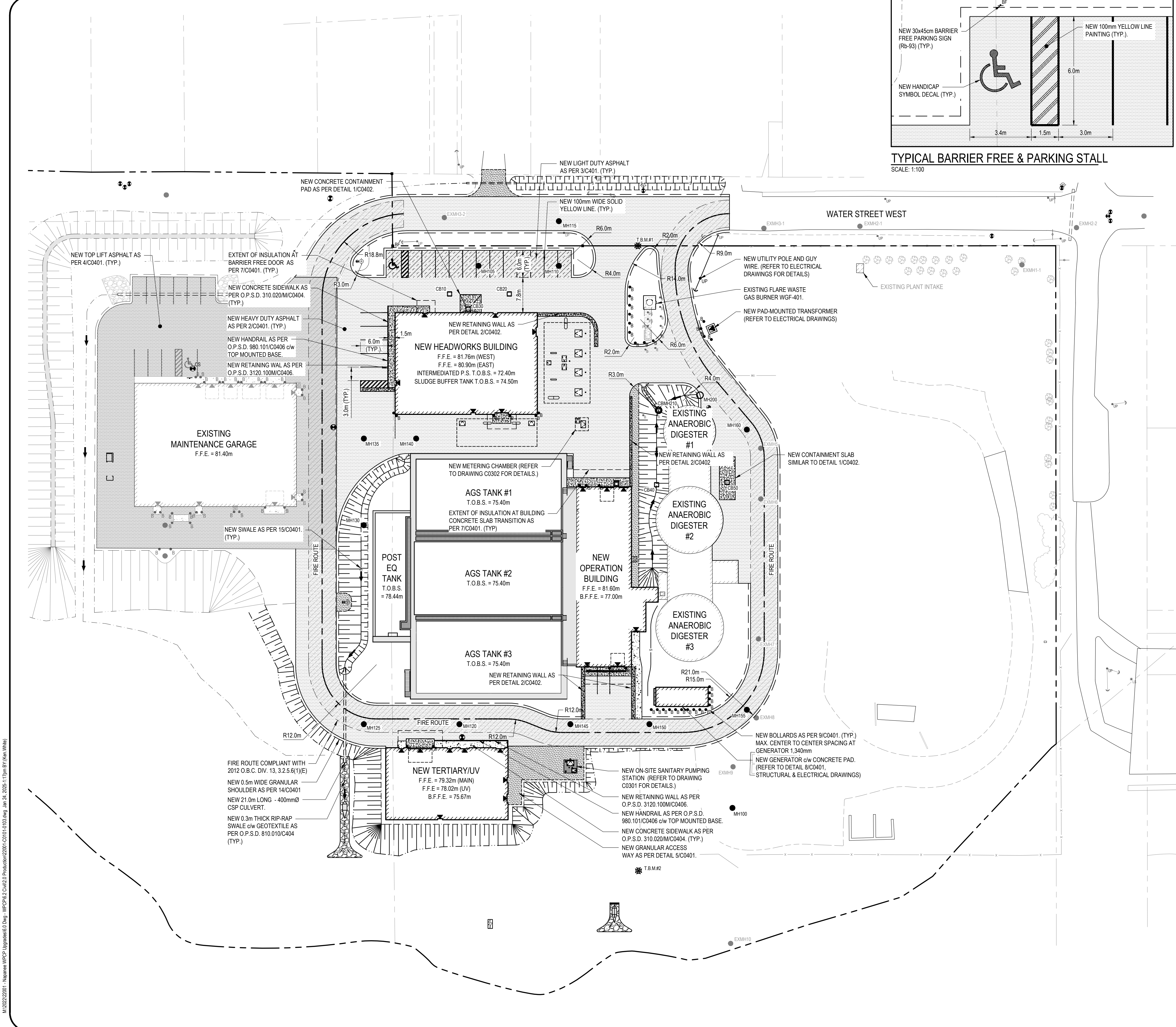
CLIENT:

 GREATER FOR MANY REASONS

PROJECT:
NEW NAPANEE WPCP

TITLE:
GEOLOGICAL CROSS SECTIONS

SCALE: H: 1:750 / V: 1:150	JOB NO: 22001
DESIGNED BY: A.P.	DATE: 2025/01/23
DRAWN BY: A.P.	DRAWING NO.
CHECKED BY: J.B.	G0008



TYPICAL BARRIER FREE & PARKING STALL
SCALE: 1:100

LEGEND:

	EXISTING PROPERTY LINE
	NEW EDGE OF ASPHALT
	EXISTING EDGE OF ASPHALT
	NEW CURB
	NEW DEPRESSED CURB
	NEW GRANULAR SHOULDER
	NEW 14/C0401
	EXISTING GRANULAR SHOULDER
	EXISTING DITCH CENTERLINE
	NEW SWALE
	NEW TOP OF SLOPE
	EXISTING TOP OF SLOPE
	EXISTING BOTTOM OF SLOPE
	NEW FENCE
	EXISTING FENCE
	NEW CULVERT
	EXISTING CULVERT
	NEW SANITARY MANHOLE
	EXISTING SANITARY MANHOLE
	NEW STORM MANHOLE
	EXISTING STORM MANHOLE
	NEW CATCH BASIN MANHOLE
	EXISTING CATCH BASIN MANHOLE
	NEW DITCH INLET
	EXISTING DITCH INLET
	NEW CATCH BASIN
	EXISTING CATCH BASIN
	NEW HYDRANT
	EXISTING HYDRANT
	NEW VALVE
	EXISTING VALVE
	NEW SIAMESE CONNECTION
	EXISTING SIAMESE CONNECTION
	NEW UTILITY POLE
	EXISTING UTILITY POLE
	NEW PAD MOUNT TRANSFORMER
	EXISTING PAD MOUNT TRANSFORMER
	SITE TEMPORARY BENCH MARK
	NEW SIGN AND POST
	EXISTING SIGN AND POST
	NEW BARRIER FREE SIGN AND POST
	EXISTING BARRIER FREE SIGN AND POST
	NEW BOLLARD AS PER 5/C0401
	EXISTING BOLLARD AS PER 5/C0401
	BUILDING ENTRANCE
	NEW RETAINING WALL AS PER DETAIL 2/C0402
	EXISTING RETAINING WALL AS PER DETAIL 2/C0402
	NEW HEAVY DUTY ASPHALT AS PER DETAIL 2/C0401
	EXISTING HEAVY DUTY ASPHALT AS PER DETAIL 2/C0401
	NEW LIGHT DUTY ASPHALT AS PER DETAIL 3/C0401
	EXISTING LIGHT DUTY ASPHALT AS PER DETAIL 3/C0401
	NEW ASPHALT TOP LIFT AS PER DETAIL 4/C0401
	EXISTING ASPHALT TOP LIFT AS PER DETAIL 4/C0401
	NEW CONCRETE SIDEWALK
	EXISTING CONCRETE SIDEWALK
	RIP-RAP c/w GEOTEXTILE AS PER O.P.S.D. 810.010/C0406
	EXISTING RIP-RAP c/w GEOTEXTILE AS PER O.P.S.D. 810.010/C0406
	NEW BUILDING OUTLINE
	EXISTING BUILDING OUTLINE
	F.F.E. = FINISHED FLOOR ELEVATION
	B.F.F.E. = BASEMENT FINISHED FLOOR ELEVATION
	T.O.B.S. = TOP OF CONCRETE BASE SLAB ELEVATION

- NOTES:**
- CONTRACTOR TO VERIFY LOCATION OF ALL BURIED SERVICES PRIOR TO START OF CONSTRUCTION.
 - TOPOGRAPHIC INFORMATION PROVIDED BY HOPKINS CHITTY LAND SURVEYORS INC.
 - ELEVATIONS ARE GEODETIC AND ARE DERIVED FROM SIMULTANEOUS GPS OBSERVATIONS AND ARE REFERRED TO CGVD28 DATUM.
 - ALL DISTURBED AREAS TO BE REINSTATED WITH 100mm TOPSOIL AND SOD UNLESS OTHERWISE NOTED.

DATE	No.	REVISION
2025/01/23	2	ISSUED FOR TENDER
2024/08/23	1	ISSUED FOR ECA APPROVAL

THE DRAWINGS, ARRANGEMENTS, ANNOTATIONS AND GRAPHICAL PRESENTATIONS ON THIS DOCUMENT ARE THE PROPERTY OF EVB ENGINEERING WHO RETAINS OWNERSHIP AND AUTHORSHIP OF THIS DOCUMENT IN ITS ENTIRETY. THIS DOCUMENT IS AN INSTRUMENT OF SERVICE AND IS THE INTELLECTUAL AND PHYSICAL PROPERTY OF EVB ENGINEERING. AUTHORIZED USE OF THIS DRAWING IS GRANTED SOLELY FOR THE PURPOSE OF THIS SPECIFIC PROJECT AND LOCATION, AND NOT FOR CONSTRUCTION OR USE FOR ANY OTHER PROJECT. COPYRIGHT © 2024 EVB ENGINEERING.

PROFESSIONAL ENGINEER
2025/01/23
J.D. BAKER
100151897
PROVINCE OF ONTARIO

PROJECT NORTH
TN = TRUE NORTH

CONSULTANT:

EVB ENGINEERING
800 SECOND STREET WEST
CORNWALL, ONTARIO CANADA, K6J 1H6
TEL: 613-935-3775 | FAX: 613-935-6450
WEBSITE: EVBengineering.com

SUB-CONSULTANT:

CIMA+

CLIENT:

Greater Napanee
GREAT FOR MANY REASONS

PROJECT:

NEW NAPANEE WPCP

TITLE:

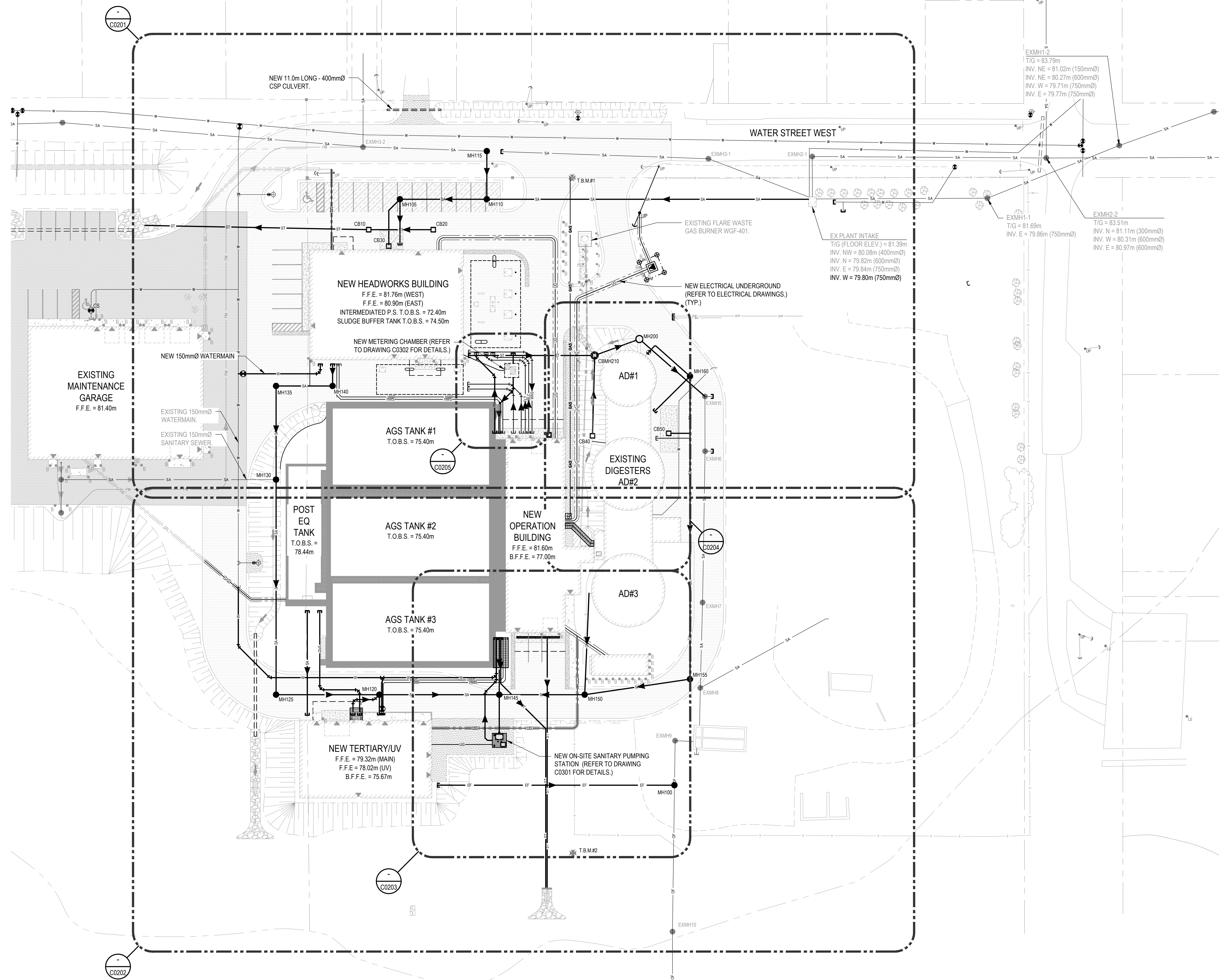
OVERALL SITE PLAN

TEMPORARY BENCH MARKS

T.B.M. No.	ELEV. (m)	T.B.M. DESCRIPTION
T.B.M.#1	81.46	TOP OF IRON BAR
T.B.M.#2	76.64	TOP OF IRON BAR

SCALE:	JOB NO:
1:400	22001
DESIGNED BY:	DATE:
J.B.	2025/01/23
DRAWN BY:	DRAWING NO.
K.B.W.	C0101
CHECKED BY:	
J.B.	

M:\2025\2025-1-Napanee WPCP Upgrade\DWG - WPCP-01-Overall Site Servicing Plan.dwg, Jun 24, 2025, 11:16:51 AM, J.Baker



LEGEND:

- EXISTING PROPERTY LINE
- NEW EDGE OF ASPHALT
- EXISTING EDGE OF ASPHALT
- NEW CURB
- NEW DEPRESSED CURB
- NEW GRANULAR SHOULDER AS PER 14/C0401
- EXISTING GRANULAR SHOULDER
- EXISTING DITCH CENTERLINE
- NEW SWALE
- NEW TOP OF SLOPE
- EXISTING TOP OF SLOPE
- EXISTING BOTTOM OF SLOPE
- NEW FENCE
- EXISTING FENCE
- SA NEW SANITARY SEWER
- SA EXISTING SANITARY SEWER
- SA NEW SEWAGE FORCEMAIN
- SA EXISTING SEWAGE FORCEMAIN
- SA EXISTING BIOGAS PIPE
- SA NEW EFFLUENT SEWER
- SA NEW THICKENER FILTRATE
- SA EXISTING SANITARY OUTFALL
- SA NEW OVERFLOW PIPE
- SA EXISTING OVERFLOW PIPE
- SA NEW RETURN ACTIVATED SLUDGE EX. SLUDGE TRANSFER PIPE
- SA NEW SUPERNATANT
- SA NEW WATER LEVEL CONTROL
- SA NEW WASTE ACTIVATED SLUDGE
- SA NEW STORM SEWER
- SA EXISTING STORM SEWER
- SA NEW SUBDRAIN
- SA NEW SUMP PUMP LINE
- SA EXISTING SUMP PUMP LINE
- SA NEW WATERMAIN
- SA EXISTING WATERMAIN
- SA NEW PIPE INSULATION AS PER 13/C0401
- SA NEW CULVERT
- SA EXISTING CULVERT
- SA NEW SANITARY MANHOLE
- SA EXISTING SANITARY MANHOLE
- SA NEW STORM MANHOLE
- SA EXISTING STORM MANHOLE
- SA NEW CATCH BASIN MANHOLE
- SA EXISTING CATCH BASIN MANHOLE
- SA NEW DITCH INLET
- SA EXISTING DITCH INLET
- SA NEW CATCH BASIN
- SA EXISTING CATCH BASIN
- SA NEW HYDRANT
- SA EXISTING HYDRANT
- SA NEW VALVE
- SA EXISTING VALVE
- SA NEW SIAMESE CONNECTION
- SA NEW UTILITY POLE
- SA EXISTING UTILITY POLE
- SA EXISTING LIGHT STANDARD
- SA NEW PAD MOUNT TRANSFORMER
- SA SITE TEMPORARY BENCH MARK
- SA NEW SIGN AND POST
- SA EXISTING SIGN AND POST
- SA NEW BARRIER FREE SIGN AND POST
- SA NEW BOLLARD AS PER 5/C0401
- SA BUILDING ENTRANCE
- SA NEW RETAINING WALL AS PER DETAIL 2/C0402
- SA NEW HEAVY DUTY ASPHALT AS PER DETAIL 2/C0401
- SA NEW LIGHT DUTY ASPHALT AS PER DETAIL 3/C0401
- SA NEW ASPHALT TOP LIFT AS PER DETAIL 4/0401.
- SA NEW CONCRETE SIDEWALK
- SA RIP-RAP w/ GEOTEXTILE AS PER O.P.S.D. 810.010/C0406.
- SA NEW BUILDING OUTLINE
- SA EXISTING BUILDING OUTLINE

F.F.E. = FINISHED FLOOR ELEVATION
 B.F.F.E. = BASEMENT FINISHED FLOOR ELEVATION
 T.O.B.S. = TOP OF CONCRETE BASE SLAB ELEVATION

TEMPORARY BENCH MARKS

T.B.M. No.	ELEV. (m)	T.B.M. DESCRIPTION
T.B.M.#1	81.46	TOP OF IRON BAR
T.B.M.#2	76.64	TOP OF IRON BAR

- NOTES:**
- CONTRACTOR TO VERIFY LOCATION OF ALL BURIED SERVICES PRIOR TO START OF CONSTRUCTION.
 - TOPOGRAPHIC INFORMATION PROVIDED BY HOPKINS CHITTY LAND SURVEYORS INC.
 - ELEVATIONS ARE GEODETIC AND ARE DERIVED FROM SIMULTANEOUS GPS OBSERVATIONS AND ARE REFERRED TO CGVD28 DATUM.
 - ALL DISTURBED AREAS TO BE REINSTATED WITH 100mm TOPSOIL AND SOD UNLESS OTHERWISE NOTED.

DATE	No.	REVISION
2025/01/23	2	ISSUED FOR TENDER
2024/08/23	1	ISSUED FOR ECA APPROVAL

THE DRAWINGS, ARRANGEMENTS, ANNOTATIONS AND GRAPHICAL PRESENTATIONS ON THIS DOCUMENT ARE THE PROPERTY OF EVB ENGINEERING WHO RETAINS OWNERSHIP AND AUTHORSHIP OF THIS DOCUMENT IN ITS ENTIRETY. THIS DOCUMENT IS AN INSTRUMENT OF SERVICE AND IS THE INTELLECTUAL AND PHYSICAL PROPERTY OF EVB ENGINEERING. AUTHORIZED USE OF THIS DRAWING IS GRANTED SOLELY FOR THE PURPOSE OF THIS SPECIFIC PROJECT AND LOCATION, AND NOT FOR CONSTRUCTION OR USE FOR ANY OTHER PROJECT. COPYRIGHT © 2024 EVB ENGINEERING.

J.D. BAKER
 LICENSED PROFESSIONAL ENGINEER
 1001518397
 PROVINCE OF ONTARIO

PROJECT NORTH
 T.N. = TRUE NORTH

CONSULTANT:

EVB ENGINEERING
 800 SECOND STREET WEST
 CORNWALL, ONTARIO CANADA, K6J 1H6
 TEL: 613-935-3775 | FAX: 613-935-6450
 WEBSITE: EVBengineering.com

SUB-CONSULTANT:

CIMA+

CLIENT:

Greater Napanee
 SERVICES FOR MANY RESIDENTS

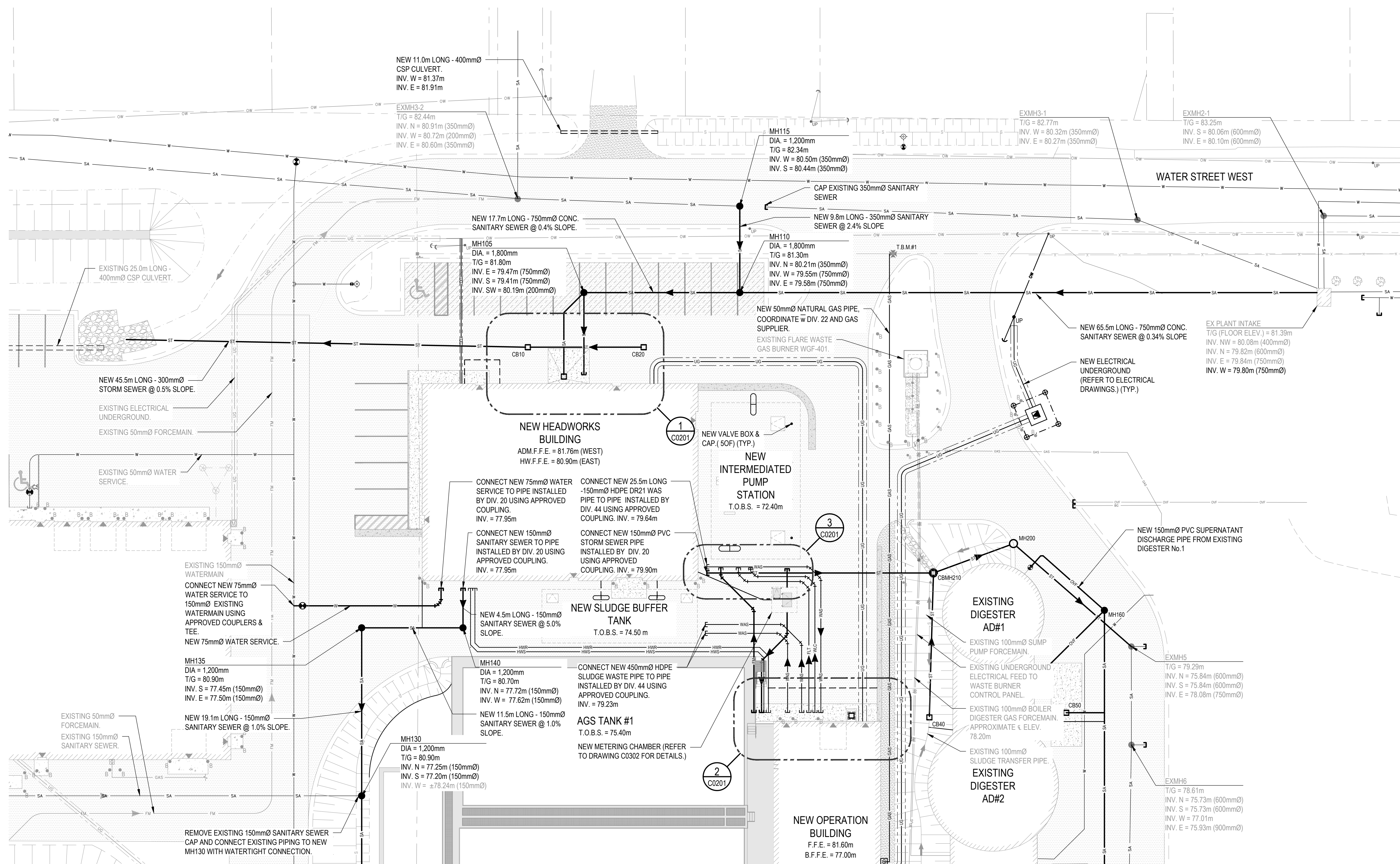
PROJECT:

NEW NAPANEE WPCP

TITLE:

OVERALL SITE SERVICING PLAN

SCALE:	JOB NO:
1:400	22001
DESIGNED BY:	DATE:
J.B.	2025/01/23
DRAWN BY:	DRAWING NO.
K.B.W.	C0102
CHECKED BY:	
J.B.	



LEGEND:

	EXISTING PROPERTY LINE
	NEW EDGE OF ASPHALT
	EXISTING EDGE OF ASPHALT
	NEW CURB
	NEW DEPRESSED CURB
	NEW GRANULAR SHOULDER AS PER 14/C041
	EXISTING GRANULAR SHOULDER
	EXISTING DITCH CENTERLINE
	NEW SWALE
	NEW TOP OF SLOPE
	EXISTING TOP OF SLOPE
	EXISTING BOTTOM OF SLOPE
	NEW FENCE
	EXISTING FENCE
	NEW SANITARY SEWER
	EXISTING SANITARY SEWER
	NEW SEWAGE FORCE MAIN
	EXISTING SEWAGE FORCE MAIN
	EXISTING BIO GAS PIPE
	NEW EFFLUENT SEWER
	NEW THICKENER FILTRATE
	EXISTING SANITARY OUTFALL
	NEW OVERFLOW PIPE
	EXISTING OVERFLOW PIPE
	NEW RETURN ACTIVATED SLUDGE
	EX. SLUDGE TRANSFER PIPE
	NEW SUPERNATANT
	NEW WATER LEVEL CONTROL
	NEW WASTE ACTIVATED SLUDGE
	NEW STORM SEWER
	EXISTING STORM SEWER
	NEW SUBDRAIN
	NEW SUMP PUMP LINE
	EXISTING SUMP PUMP LINE
	NEW WATERMAIN
	EXISTING WATERMAIN
	NEW PIPE INSULATION AS PER 10/C041
	EXISTING PIPE INSULATION AS PER 10/C041
	NEW CULVERT
	EXISTING CULVERT
	NEW SANITARY MANHOLE
	EXISTING SANITARY MANHOLE
	NEW STORM MANHOLE
	EXISTING STORM MANHOLE
	NEW CATCH BASIN MANHOLE
	EXISTING CATCH BASIN MANHOLE
	NEW DITCH INLET
	EXISTING DITCH INLET
	NEW CATCH BASIN
	EXISTING CATCH BASIN
	NEW HYDRANT
	EXISTING HYDRANT
	NEW VALVE
	EXISTING VALVE
	NEW SIAMESE CONNECTION
	EXISTING SIAMESE CONNECTION
	NEW UTILITY POLE
	EXISTING UTILITY POLE
	EXISTING LIGHT STANDARD
	NEW PAD MOUNT TRANSFORMER
	EXISTING PAD MOUNT TRANSFORMER
	NEW SIGN AND POST
	EXISTING SIGN AND POST
	NEW BARRIER FREE SIGN AND POST
	EXISTING BARRIER FREE SIGN AND POST
	NEW BOLLARD AS PER 5/C0401
	EXISTING BOLLARD AS PER 5/C0401
	BUILDING ENTRANCE
	NEW RETAINING WALL AS PER DETAIL 2/C0402
	EXISTING RETAINING WALL AS PER DETAIL 2/C0402
	NEW HEAVY DUTY ASPHALT AS PER DETAIL 2/C0401
	EXISTING HEAVY DUTY ASPHALT AS PER DETAIL 2/C0401
	NEW LIGHT DUTY ASPHALT AS PER DETAIL 3/C0401
	EXISTING LIGHT DUTY ASPHALT AS PER DETAIL 3/C0401
	NEW ASPHALT TOP LIFT AS PER DETAIL 4/0401
	EXISTING ASPHALT TOP LIFT AS PER DETAIL 4/0401
	NEW CONCRETE SIDEWALK
	EXISTING CONCRETE SIDEWALK
	RIP-RAP ON GEOTEXTILE AS PER O.P.S.D. 810.010/C0406
	NEW BUILDING OUTLINE
	EXISTING BUILDING OUTLINE
	F.F.E. = FINISHED FLOOR ELEVATION
	B.F.F.E. = BASEMENT FINISHED FLOOR ELEVATION
	T.O.B.S. = TOP OF CONCRETE BASE SLAB ELEVATION

- NOTES:**
- CONTRACTOR TO VERIFY LOCATION OF ALL BURIED SERVICES PRIOR TO START OF CONSTRUCTION.
 - TOPOGRAPHIC INFORMATION PROVIDED BY HOPKINS CHITTY LAND SURVEYOR INC.
 - ELEVATIONS ARE GEODETIC AND ARE DERIVED FROM SIMULTANEOUS GPS OBSERVATIONS AND ARE REFERRED TO CGVD28 DATUM.
 - ALL DISTURBED AREAS TO BE REINSTATED WITH 100mm TOPSOIL AND SOD UNLESS OTHERWISE NOTED.

2025/01/23	2	ISSUED FOR TENDER
2024/08/23	1	ISSUED FOR ECA APPROVAL
DATE	No.	REVISION

THE DRAWINGS, ARRANGEMENTS, ANNOTATIONS AND GRAPHICAL PRESENTATIONS ON THIS DOCUMENT ARE THE PROPERTY OF EVB ENGINEERING WHO RETAINS OWNERSHIP AND AUTHORSHIP OF THIS DOCUMENT IN ITS ENTIRETY. THIS DOCUMENT IS AN INSTRUMENT OF SERVICE AND IS THE INTELLECTUAL AND PHYSICAL PROPERTY OF EVB ENGINEERING. AUTHORIZED USE OF THIS DRAWING IS GRANTED SOLELY FOR THE PURPOSE OF THIS SPECIFIC PROJECT AND LOCATION, AND NOT FOR CONSTRUCTION OR USE FOR ANY OTHER PROJECT. COPYRIGHT © 2024 EVB ENGINEERING.

CONSULTANT:

800 SECOND STREET WEST
CORNWALL, ONTARIO CANADA, K6J 1H6
TEL: 613-935-3775 | FAX: 613-935-6450
WEBSITE: EVBengineering.com

PROJECT NORTH

T.N. = TRUE NORTH

CONTRACTOR:

SUB-CONSULTANT:

Greater Napanee
SERVING OUR MANY RESIDENTS

CLIENT:

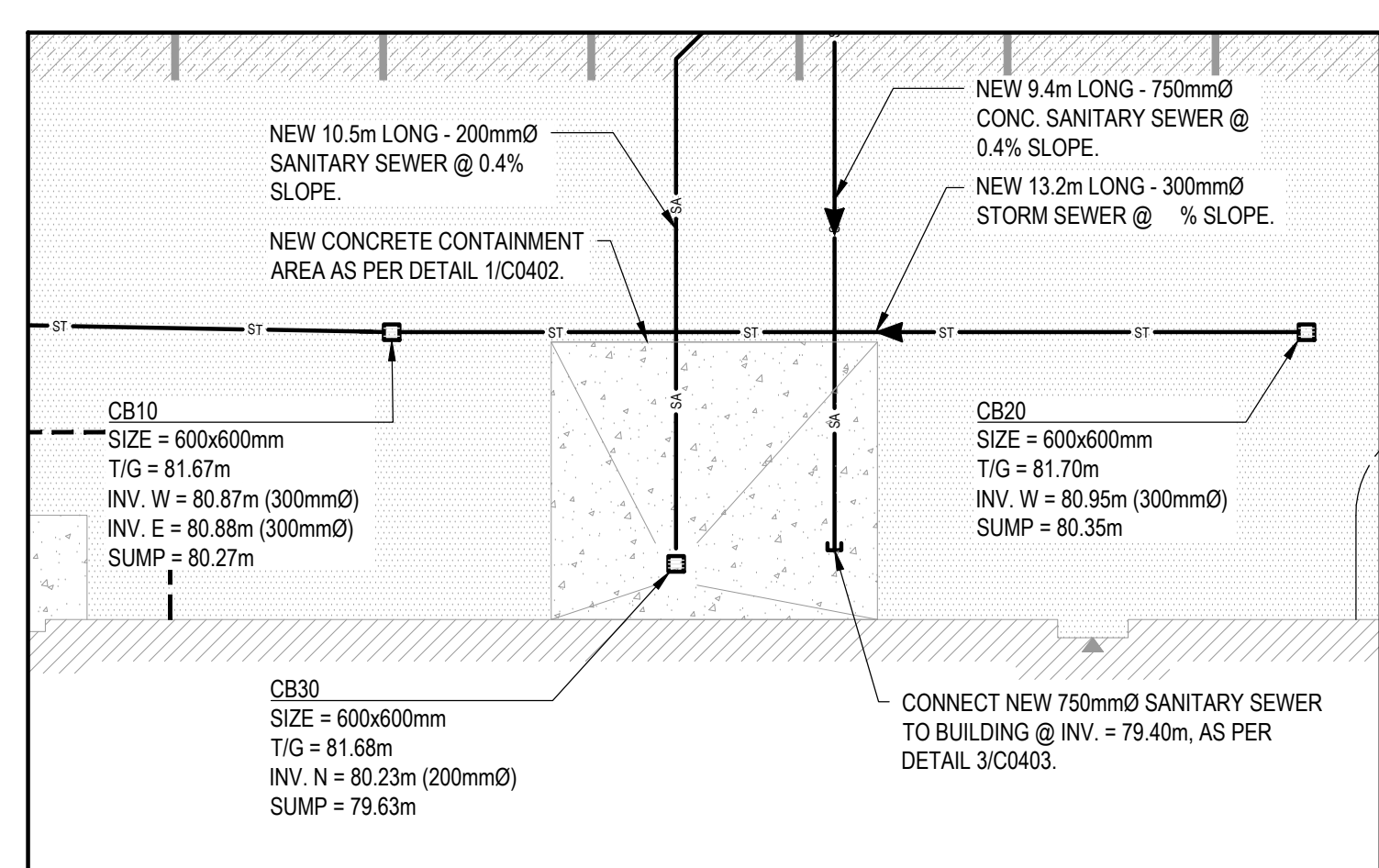
PROJECT:

NEW NAPANEE WPCP

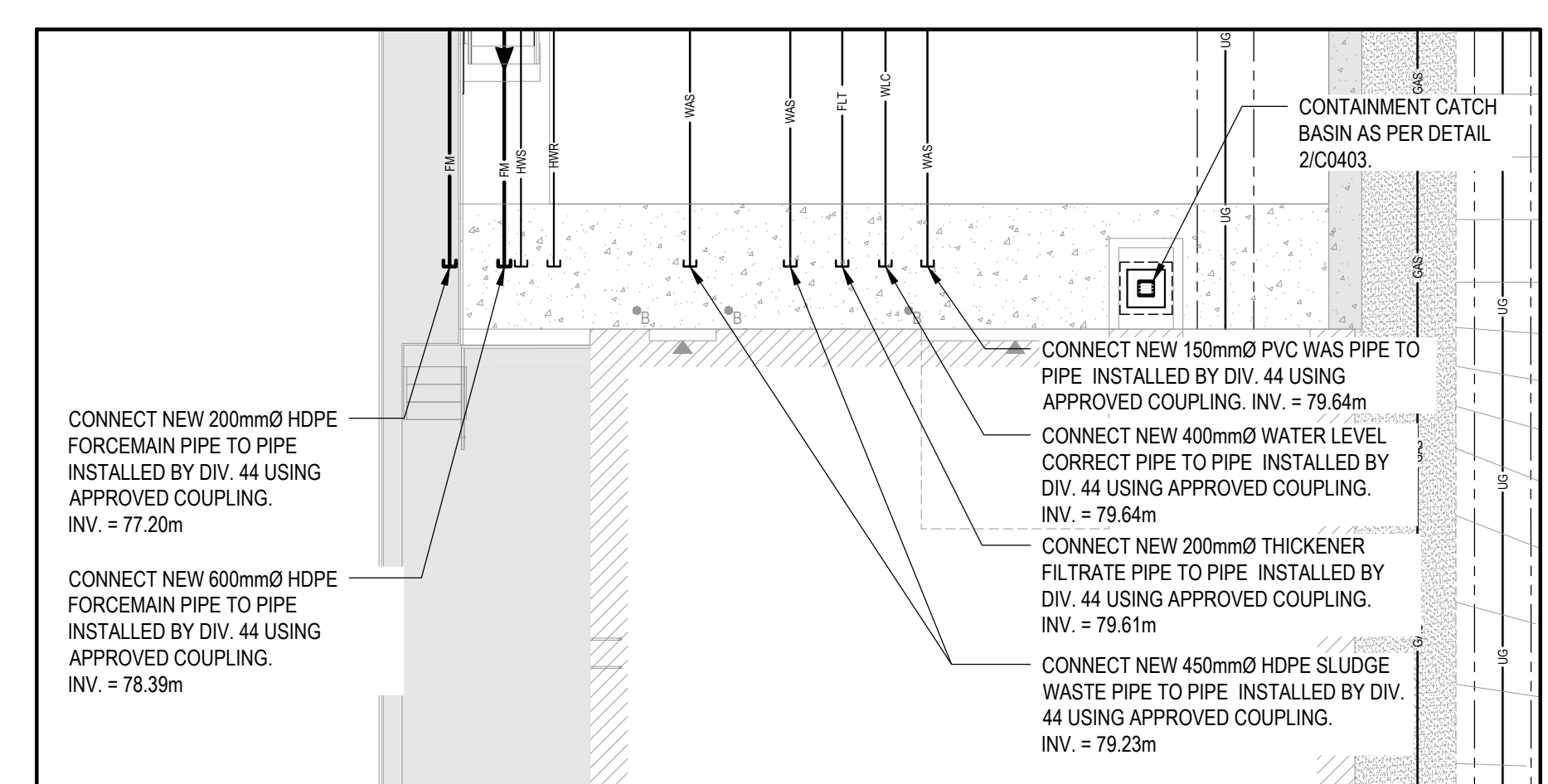
TITLE:

PARTIAL SITE SERVICING PLAN

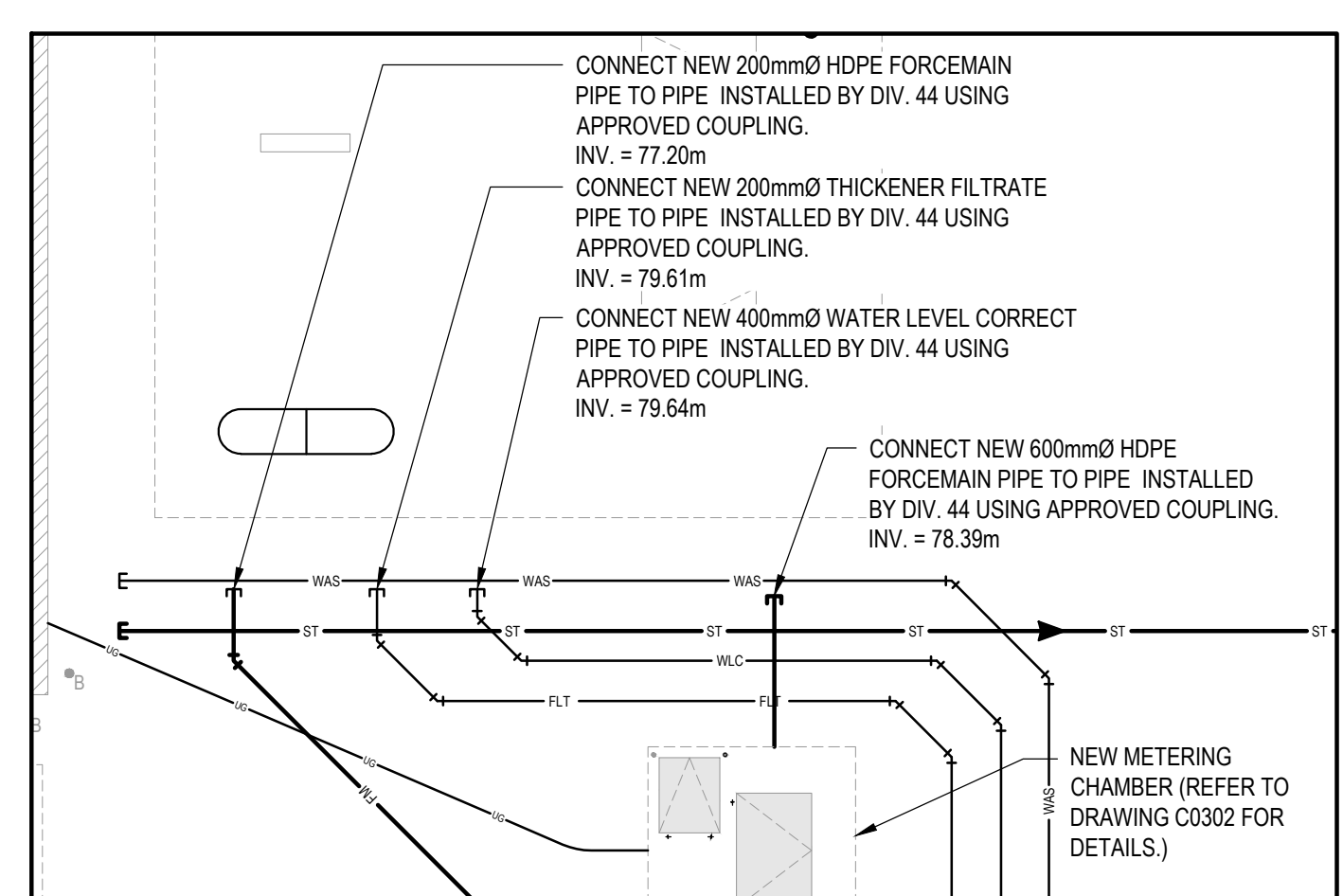
SCALE:	1:250	JOB NO:	22001
DESIGNED BY:	J.B.	DATE:	2025/01/23
DRAWN BY:	K.B.W.	DRAWING NO.:	C0201
CHECKED BY:	J.B.		



1 NEW HEADWORKS SERVICING DETAIL
SCALE: 1:100



2 NEW OPERATION BUILDING SERVICING DETAIL
SCALE: 1:100

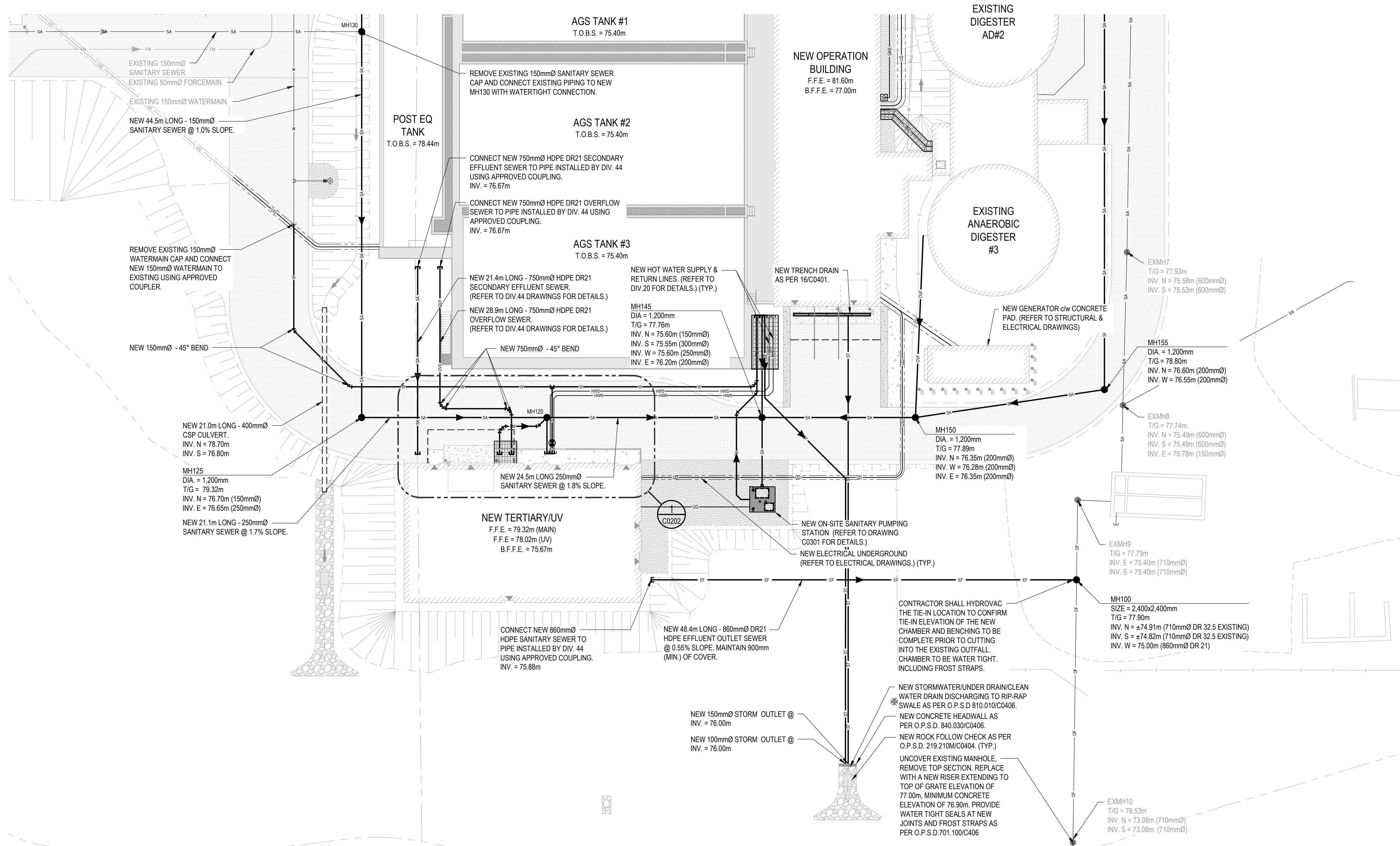


3 NEW INTERMEDIATED PUMP STATION SERVICING DETAIL
SCALE: 1:100

TEMPORARY BENCH MARKS

T.B.M. No.	ELEV. (m)	T.B.M. DESCRIPTION
T.B.M.#1	81.46	TOP OF IRON BAR

M:\2025\20251 - Napanee WPCP Upgrade\DWG - WPCP\2 - Civil\2 - Production\20251_C0201.dwg Jun 24, 2025 - 12:18:18 PM (K.W. White)



LEGEND:

	EXISTING PROPERTY LINE
	NEW EDGE OF ASPHALT
	EXISTING EDGE OF ASPHALT
	NEW CURB
	NEW DEPRESSED CURB
	NEW GRANULAR SHOULDER
	NEW GRANULAR SHOULDER AS PER 14/C041
	EXISTING GRANULAR SHOULDER
	EXISTING DITCH CENTERLINE
	NEW SWALE
	NEW TOP OF SLOPE
	EXISTING TOP OF SLOPE
	EXISTING BOTTOM OF SLOPE
	NEW FENCE
	EXISTING FENCE
	NEW SANITARY SEWER
	EXISTING SANITARY SEWER
	NEW SEWAGE FORCEMAIN
	EXISTING SEWAGE FORCEMAIN
	EXISTING BIOGAS PIPE
	NEW EFFLUENT SEWER
	NEW THICKENER FILTRATE
	EXISTING SANITARY OUTFALL
	NEW OVERFLOW PIPE
	EXISTING OVERFLOW PIPE
	NEW RETURN ACTIVATED SLUDGE EX. SLUDGE TRANSFER PIPE
	NEW SUPERNATANT
	NEW WATER LEVEL CONTROL
	NEW WASTE ACTIVATED SLUDGE
	NEW STORM SEWER
	EXISTING STORM SEWER
	NEW SUBDRAIN
	NEW SUMP PUMP LINE
	EXISTING SUMP PUMP LINE
	NEW WATERMAIN
	EXISTING WATERMAIN
	NEW PIPE INSULATION AS PER 10/C041
	NEW CULVERT
	EXISTING CULVERT
	NEW SANITARY MANHOLE
	EXISTING SANITARY MANHOLE
	NEW STORM MANHOLE
	EXISTING STORM MANHOLE
	NEW CATCH BASIN MANHOLE
	EXISTING CATCH BASIN MANHOLE
	NEW DITCH INLET
	EXISTING DITCH INLET
	NEW CATCH BASIN
	EXISTING CATCH BASIN
	NEW HYDRANT
	EXISTING HYDRANT
	NEW VALVE
	EXISTING VALVE
	NEW SIAMESE CONNECTION
	EXISTING SIAMESE CONNECTION
	NEW UTILITY POLE
	EXISTING UTILITY POLE
	EXISTING LIGHT STANDARD
	NEW PAD MOUNT TRANSFORMER
	SITE TEMPORARY BENCH MARK
	NEW SIGN AND POST
	EXISTING SIGN AND POST
	NEW BARRIER FREE SIGN AND POST
	NEW BOLLARD AS PER 5/C0401
	BUILDING ENTRANCE
	NEW RETAINING WALL AS PER DETAIL 2/C0402
	NEW HEAVY DUTY ASPHALT AS PER DETAIL 2/C0401
	NEW LIGHT DUTY ASPHALT AS PER DETAIL 3/C0401
	NEW ASPHALT TOP LIFT AS PER DETAIL 4/C0401
	NEW CONCRETE SIDEWALK
	RIP-RAP w/ GEOTEXTILE AS PER O.P.S.D. 810.010/C0406
	NEW BUILDING OUTLINE
	EXISTING BUILDING OUTLINE
F.F.E. =	FINISHED FLOOR ELEVATION
B.F.F.E. =	BASEMENT FINISHED FLOOR ELEVATION
T.O.B.S. =	TOP OF CONCRETE BASE SLAB ELEVATION

- NOTES:**
- CONTRACTOR TO VERIFY LOCATION OF ALL BURIED SERVICES PRIOR TO START OF CONSTRUCTION.
 - TOPOGRAPHIC INFORMATION PROVIDED BY HOPKINS CHITTY LAND SURVEYOR INC.
 - ELEVATIONS ARE GEODETIC AND ARE DERIVED FROM SIMULTANEOUS GPS OBSERVATIONS AND ARE REFERRED TO CGVD28 DATUM.
 - ALL DISTURBED AREAS TO BE REINSTATED WITH 100mm TOPSOIL AND SOD UNLESS OTHERWISE NOTED.

DATE	No.	REVISION
2025/01/23	2	ISSUED FOR TENDER
2024/08/23	1	ISSUED FOR ECA APPROVAL

THE DRAWINGS, ARRANGEMENTS, ANNOTATIONS AND GRAPHICAL PRESENTATIONS ON THIS DOCUMENT ARE THE PROPERTY OF EVB ENGINEERING WHO RETAINS OWNERSHIP AND AUTHORSHIP OF THIS DOCUMENT IN ITS ENTIRETY. THIS DOCUMENT IS AN INSTRUMENT OF SERVICE AND IS THE INTELLECTUAL AND PHYSICAL PROPERTY OF EVB ENGINEERING. AUTHORIZED USE OF THIS DRAWING IS GRANTED SOLELY FOR THE PURPOSE OF THIS SPECIFIC PROJECT AND LOCATION, AND NOT FOR CONSTRUCTION OR USE FOR ANY OTHER PROJECT. COPYRIGHT © 2024 EVB ENGINEERING.

CONSULTANT:

EV B ENGINEERING
800 SECOND STREET WEST
CORNWALL, ONTARIO CANADA, K6J 1H6
TEL: 613-935-3775 | FAX: 613-935-6450
WEBSITE: EVBengineering.com

PROJECT NORTH

T.N. = TRUE NORTH

CONSULTANT:

CIMA+

CLIENT:

Greater Napanee
SERVING FOR MANY RESIDENTS

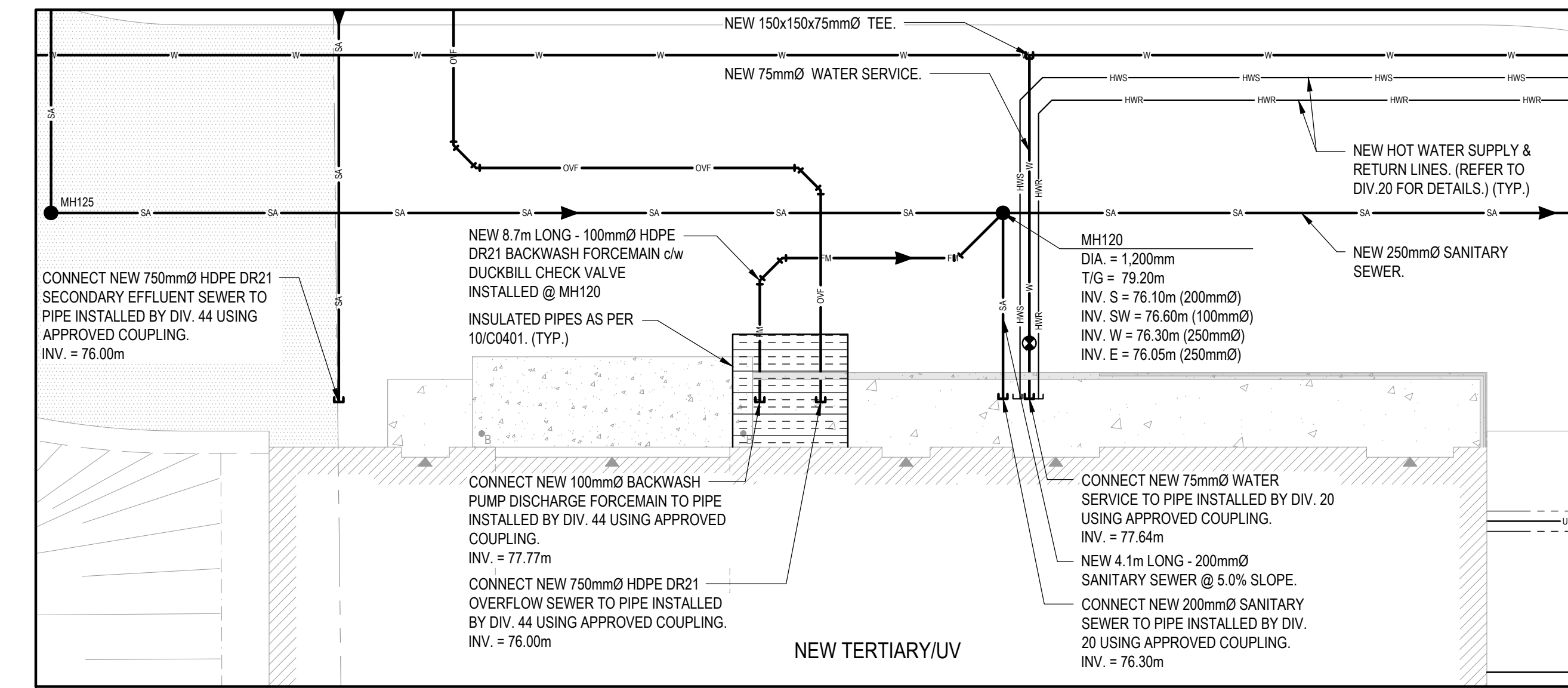
PROJECT:

NEW NAPANEE WPCP

TITLE:

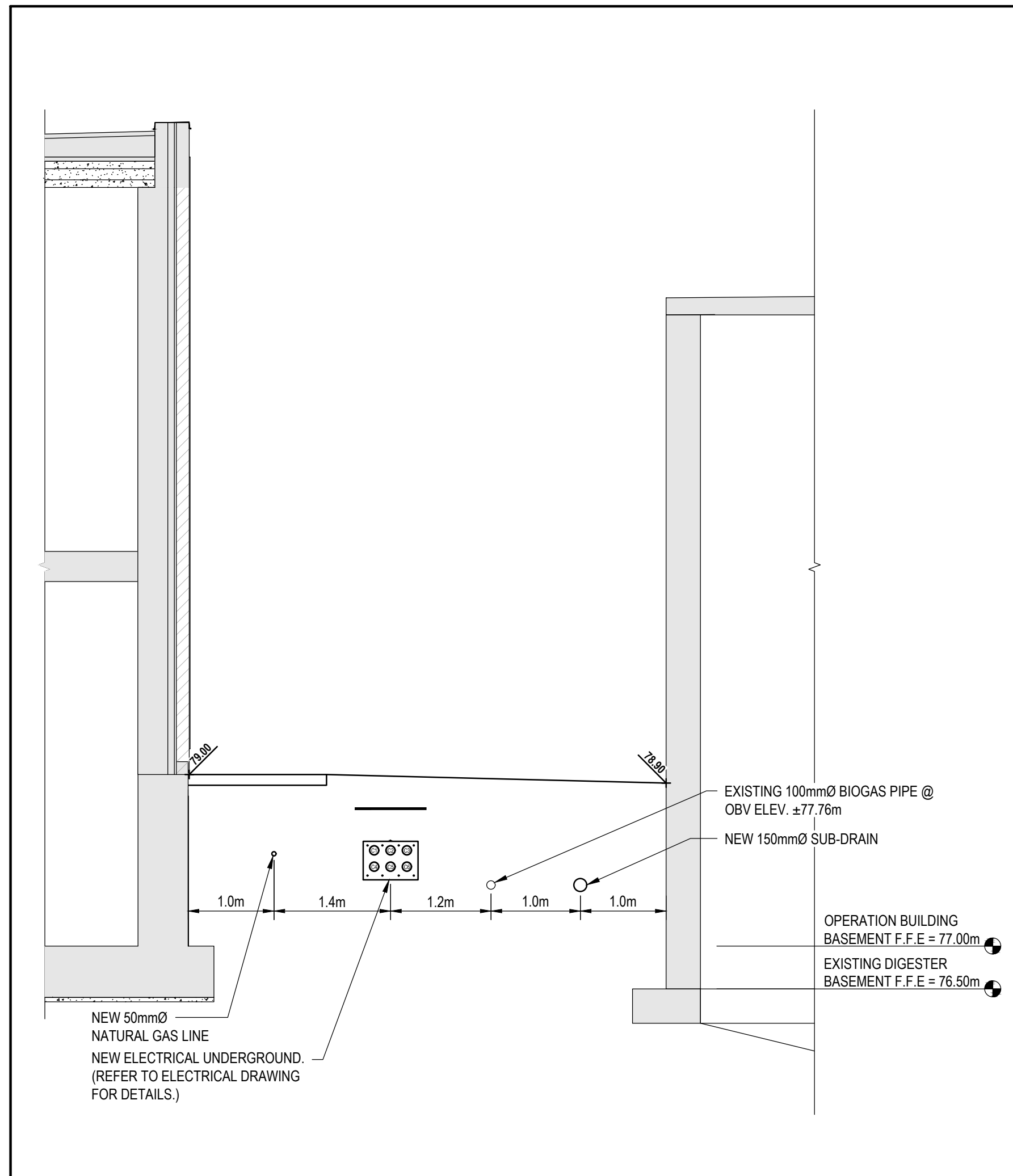
PARTIAL SITE SERVICING PLAN

SCALE: 1:250	JOB NO: 22001
DESIGNED BY: J.B.	DATE: 2025/01/23
DRAWN BY: K.B.W.	DRAWING NO.:
CHECKED BY: J.B.	C0202



1 **NEW TERTIARY/UV SERVICING DETAIL**
SCALE: 1:100

M:\2025\2001 - Napanee WPCP Upgrade\DWG - WPCP-6-C-0402-Production\2001_C0202.dwg Jun 24, 2025 - 2:10pm BT (Ken White)



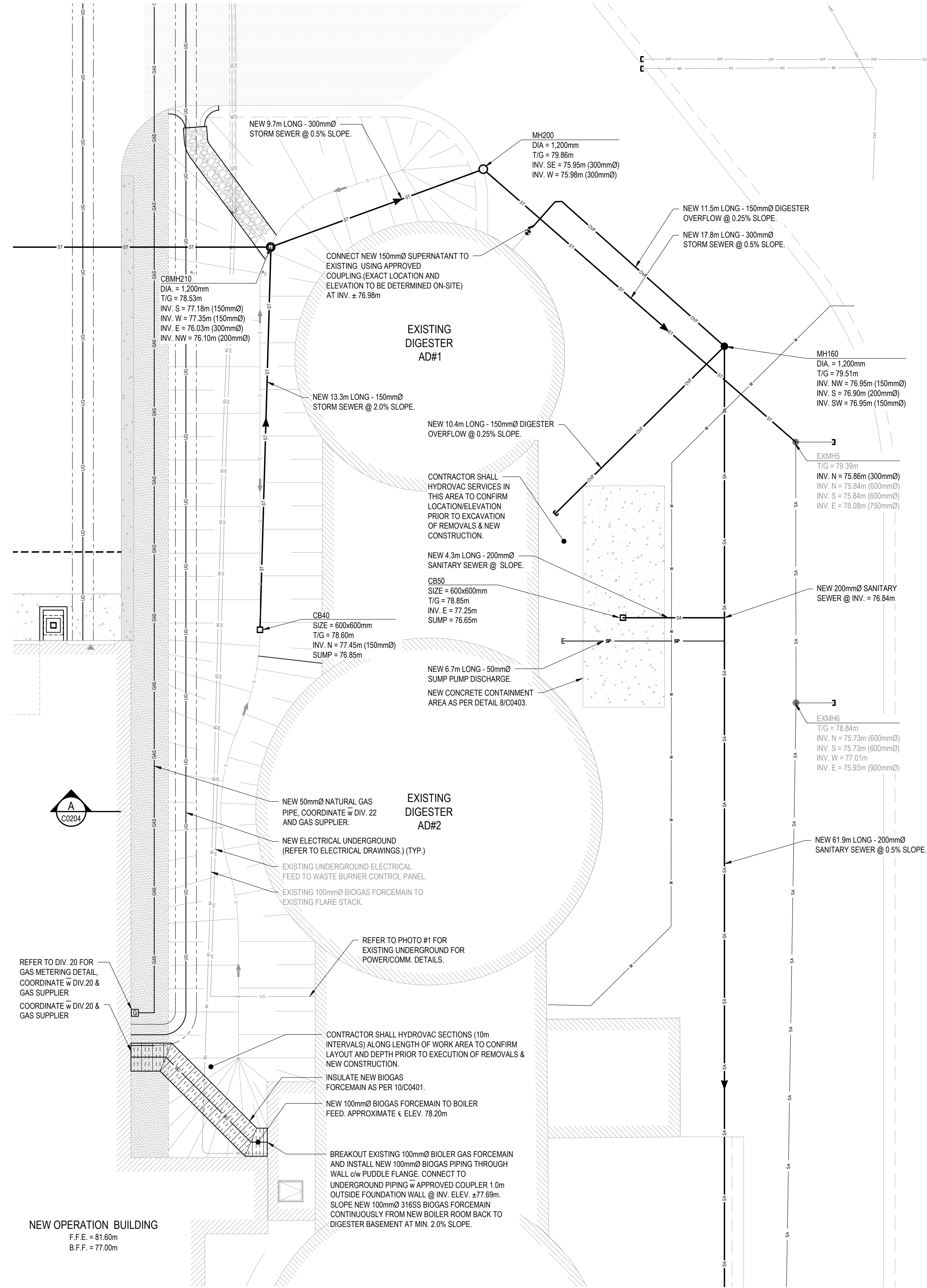
SECTION A
SCALE: 1:50



PHOTO #1
SCALE: N.T.S.



PHOTO #2
SCALE: N.T.S.



LEGEND:

	EXISTING PROPERTY LINE
	NEW EDGE OF ASPHALT
	EXISTING EDGE OF ASPHALT
	NEW CURB
	NEW DEPRESSED CURB
	NEW GRANULAR SHOULDER AS PER 14/C0401
	EXISTING GRANULAR SHOULDER
	EXISTING DITCH CENTERLINE
	NEW SWALE
	NEW TOP OF SLOPE
	EXISTING TOP OF SLOPE
	EXISTING BOTTOM OF SLOPE
	NEW FENCE
	EXISTING FENCE
	NEW SANITARY SEWER
	EXISTING SANITARY SEWER
	NEW SEWAGE FORCEMAIN
	EXISTING SEWAGE FORCEMAIN
	EXISTING BIOGAS PIPE
	NEW THICKENER FILTRATE
	EXISTING SANITARY OUTFALL
	NEW OVERFLOW PIPE
	EXISTING OVERFLOW PIPE
	NEW RETURN ACTIVATED SLUDGE
	EX. SLUDGE TRANSFER PIPE
	NEW SUPERNATANT
	NEW WATER LEVEL CONTROL
	NEW WASTE ACTIVATED SLUDGE
	NEW STORM SEWER
	EXISTING STORM SEWER
	NEW SUBDRAIN
	NEW SUMP PUMP LINE
	EXISTING SUMP PUMP LINE
	NEW WATERMAIN
	EXISTING WATERMAIN
	NEW PIPE INSULATION AS PER 10/C0401
	NEW CULVERT
	EXISTING CULVERT
	NEW SANITARY MANHOLE
	EXISTING SANITARY MANHOLE
	NEW STORM MANHOLE
	EXISTING STORM MANHOLE
	NEW CATCH BASIN MANHOLE
	EXISTING CATCH BASIN MANHOLE
	NEW DITCH INLET
	EXISTING DITCH INLET
	NEW CATCH BASIN
	EXISTING CATCH BASIN
	NEW HYDRANT
	EXISTING HYDRANT
	NEW VALVE
	EXISTING VALVE
	NEW SIAMESE CONNECTION
	NEW UTILITY POLE
	EXISTING UTILITY POLE
	EXISTING LIGHT STANDARD
	NEW PAD MOUNT TRANSFORMER
	SITE TEMPORARY BENCH MARK
	NEW SIGN AND POST
	EXISTING SIGN AND POST
	NEW BARRIER FREE SIGN AND POST
	NEW BOLLARD AS PER 5/C0401
	BUILDING ENTRANCE
	NEW RETAINING WALL AS PER DETAIL 2/C0402
	NEW HEAVY DUTY ASPHALT AS PER DETAIL 2/C0401
	NEW LIGHT DUTY ASPHALT AS PER DETAIL 3/C0401
	NEW ASPHALT TOP LIFT AS PER DETAIL 4/C0401
	NEW CONCRETE SIDEWALK
	RIP-RAP c/w GEOTEXTILE AS PER O.P.S.D. 810.010/C0406
	NEW BUILDING OUTLINE
	EXISTING BUILDING OUTLINE
F.F.E. =	FINISHED FLOOR ELEVATION
B.F.F.E. =	BASEMENT FINISHED FLOOR ELEVATION
T.O.B.S. =	TOP OF CONCRETE BASE SLAB ELEVATION

- NOTES:**
- CONTRACTOR TO VERIFY LOCATION OF ALL BURIED SERVICES PRIOR TO START OF CONSTRUCTION.
 - TOPOGRAPHIC INFORMATION PROVIDED BY HOPKINS CHITTY LAND SURVEYOR INC.
 - ELEVATIONS ARE GEODETIC AND ARE DERIVED FROM SIMULTANEOUS GPS OBSERVATIONS AND ARE REFERRED TO CGVD28 DATUM.
 - ALL DISTURBED AREAS TO BE REINSTATED WITH 100mm TOPSOIL AND SOD UNLESS OTHERWISE NOTED.

2025/01/23	2	ISSUED FOR TENDER
2024/08/23	1	ISSUED FOR ECA APPROVAL
DATE	No.	REVISION

THE DRAWINGS, ARRANGEMENTS, ANNOTATIONS AND GRAPHICAL PRESENTATIONS ON THIS DOCUMENT ARE THE PROPERTY OF EVB ENGINEERING WHO RETAINS OWNERSHIP AND AUTHORSHIP OF THIS DOCUMENT IN ITS ENTIRETY. THIS DOCUMENT IS AN INSTRUMENT OF SERVICE AND IS THE INTELLECTUAL AND PHYSICAL PROPERTY OF EVB ENGINEERING. AUTHORIZED USE OF THIS DRAWING IS GRANTED SOLELY FOR THE PURPOSE OF THIS SPECIFIC PROJECT AND LOCATION, AND NOT FOR CONSTRUCTION OR USE FOR ANY OTHER PROJECT. COPYRIGHT © 2024 EVB ENGINEERING.

CONSULTANT:

 800 SECOND STREET WEST
 CORNWALL, ONTARIO CANADA, K6J 1H6
 TEL: 613-935-3775 | FAX: 613-935-6450
 WEBSITE: EVBengineering.com

PROJECT NORTH

 T.N. = TRUE NORTH

CLIENT:

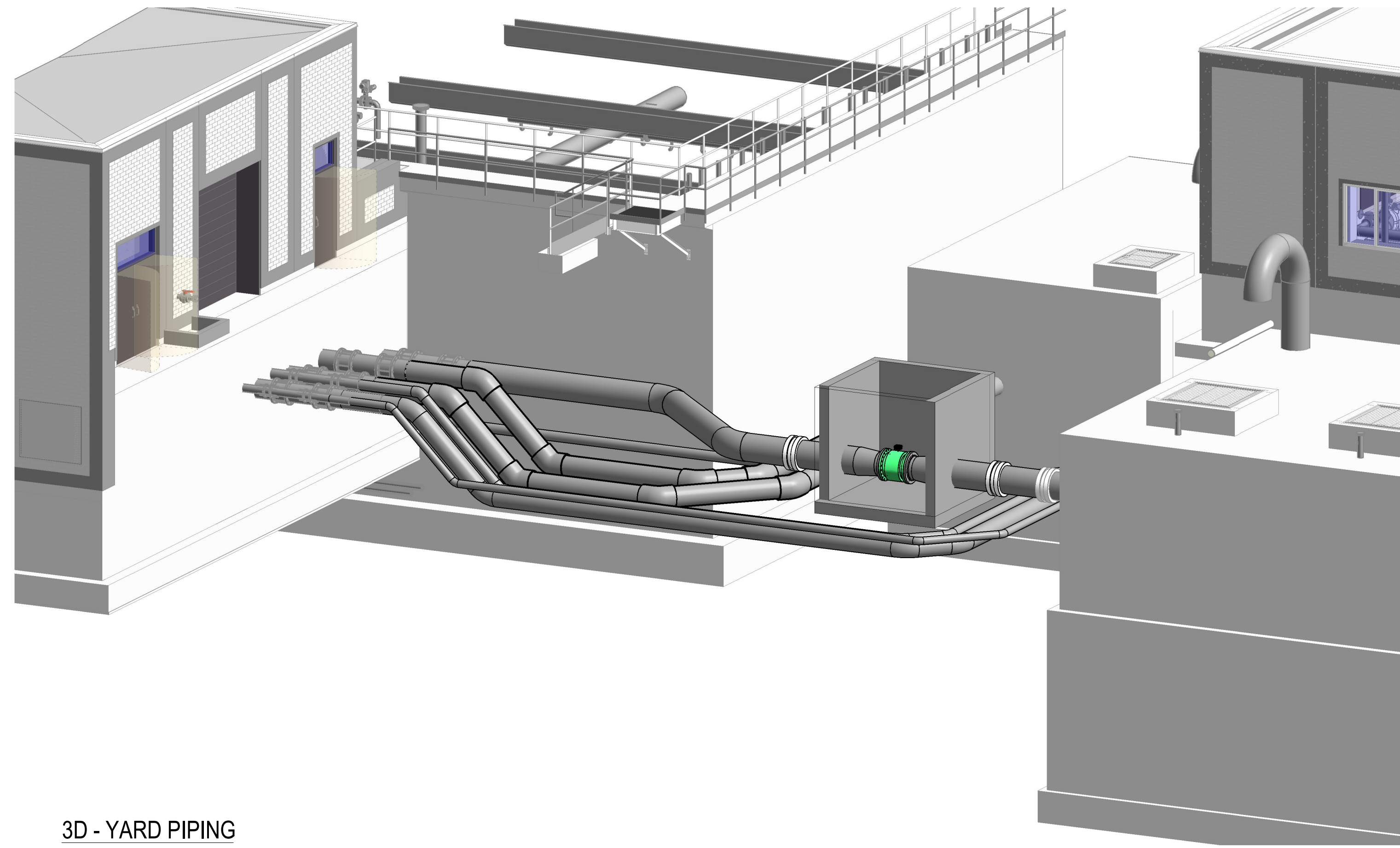
 Greater Napanee
 SERVICES FOR MANY PROUDLY

PROJECT:
 NEW NAPANEE WPCP

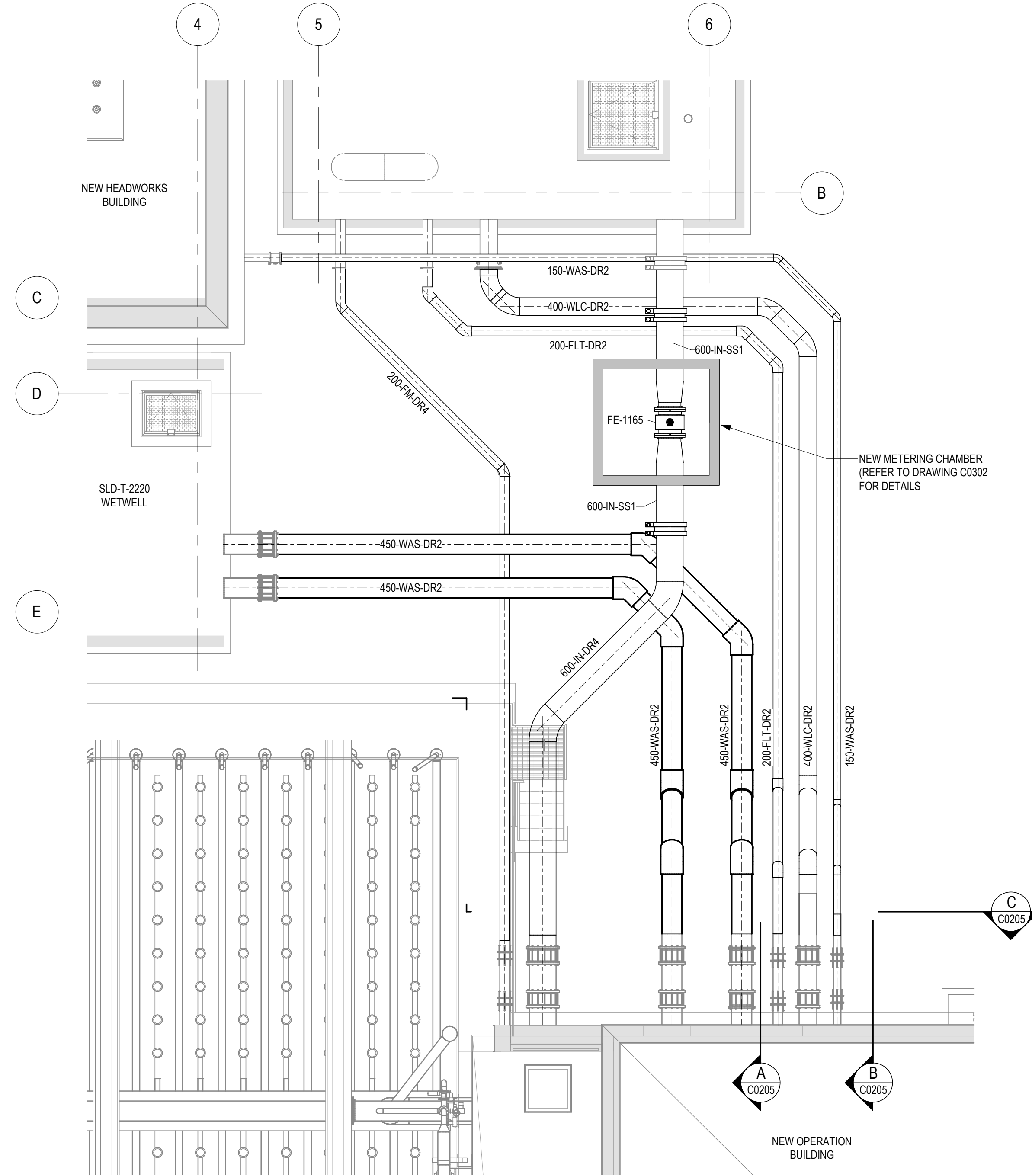
TITLE:
 PARTIAL SITE
 SERVICING PLAN

SCALE: 1:100	JOB NO: 22001
DESIGNED BY: J.B.	DATE: 2025/01/23
DRAWN BY: K.B.W.	DRAWING NO.
CHECKED BY: J.B.	C0204

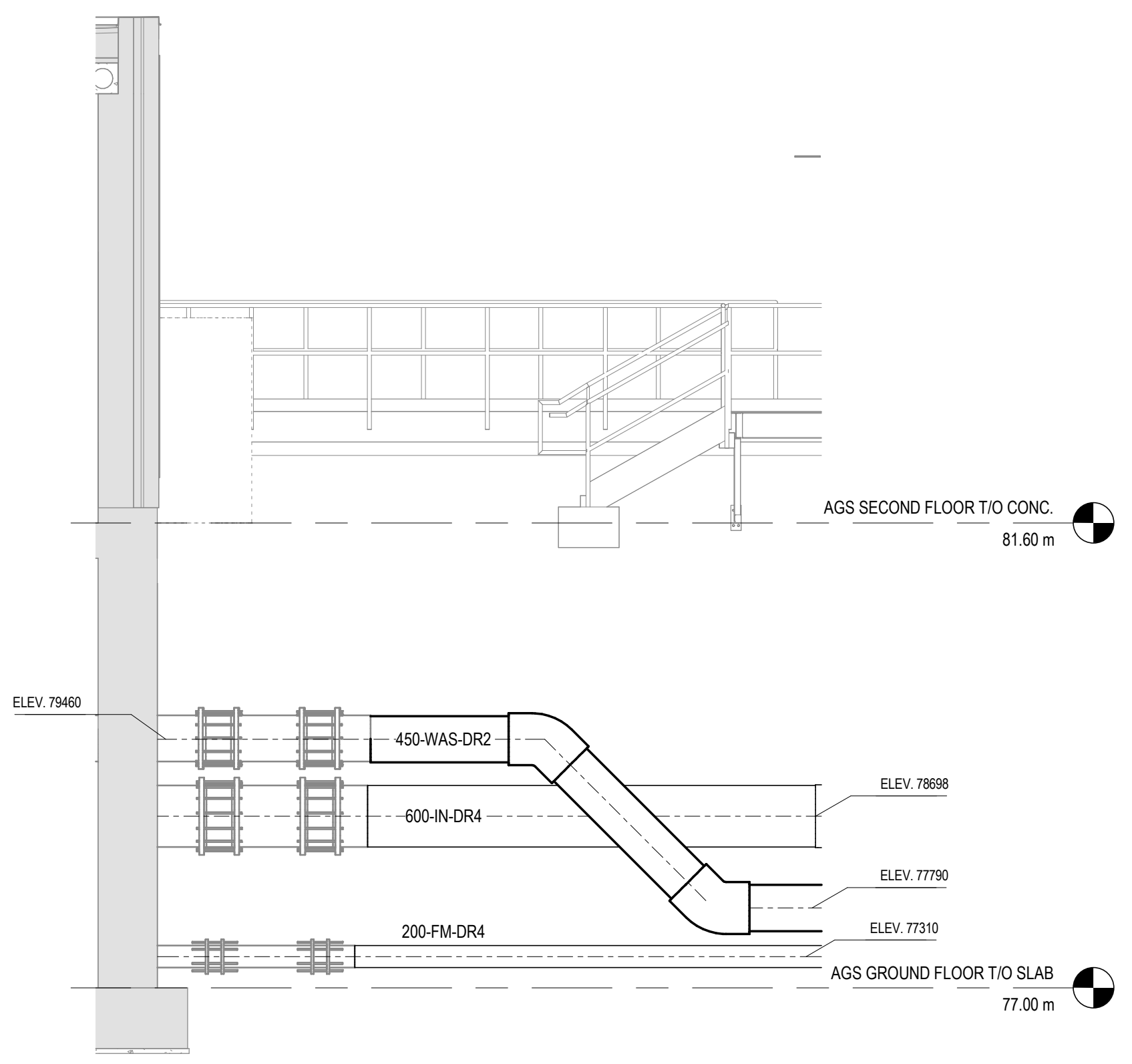
M:\2025\202501 - Napanee WPCP Upgrade\DWG - WPCP E.C. C-0204 - Production\202501 - C0204.dwg Jun 24, 2025 - 12:28pm ET (Ken White)



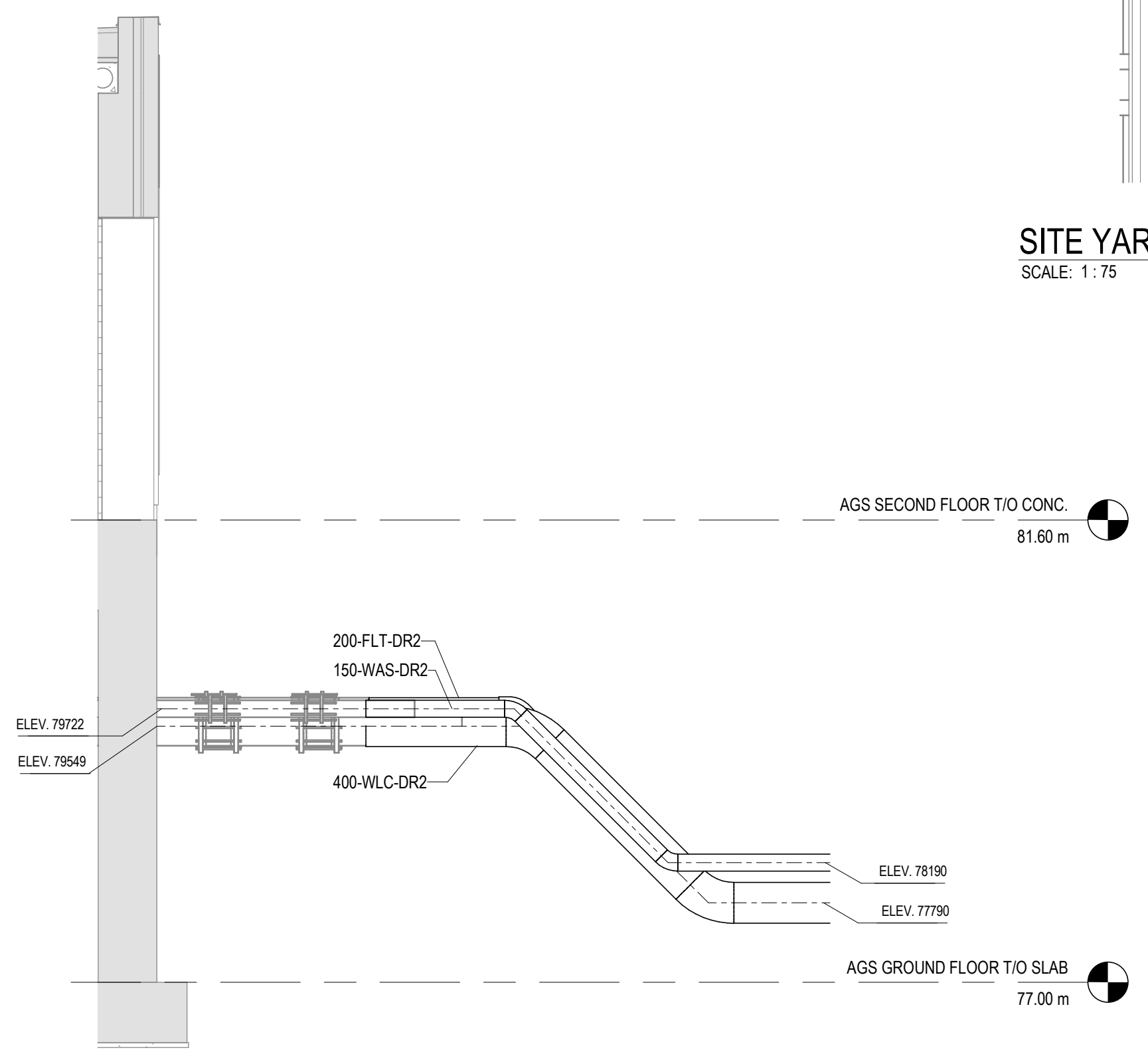
3D - YARD PIPING



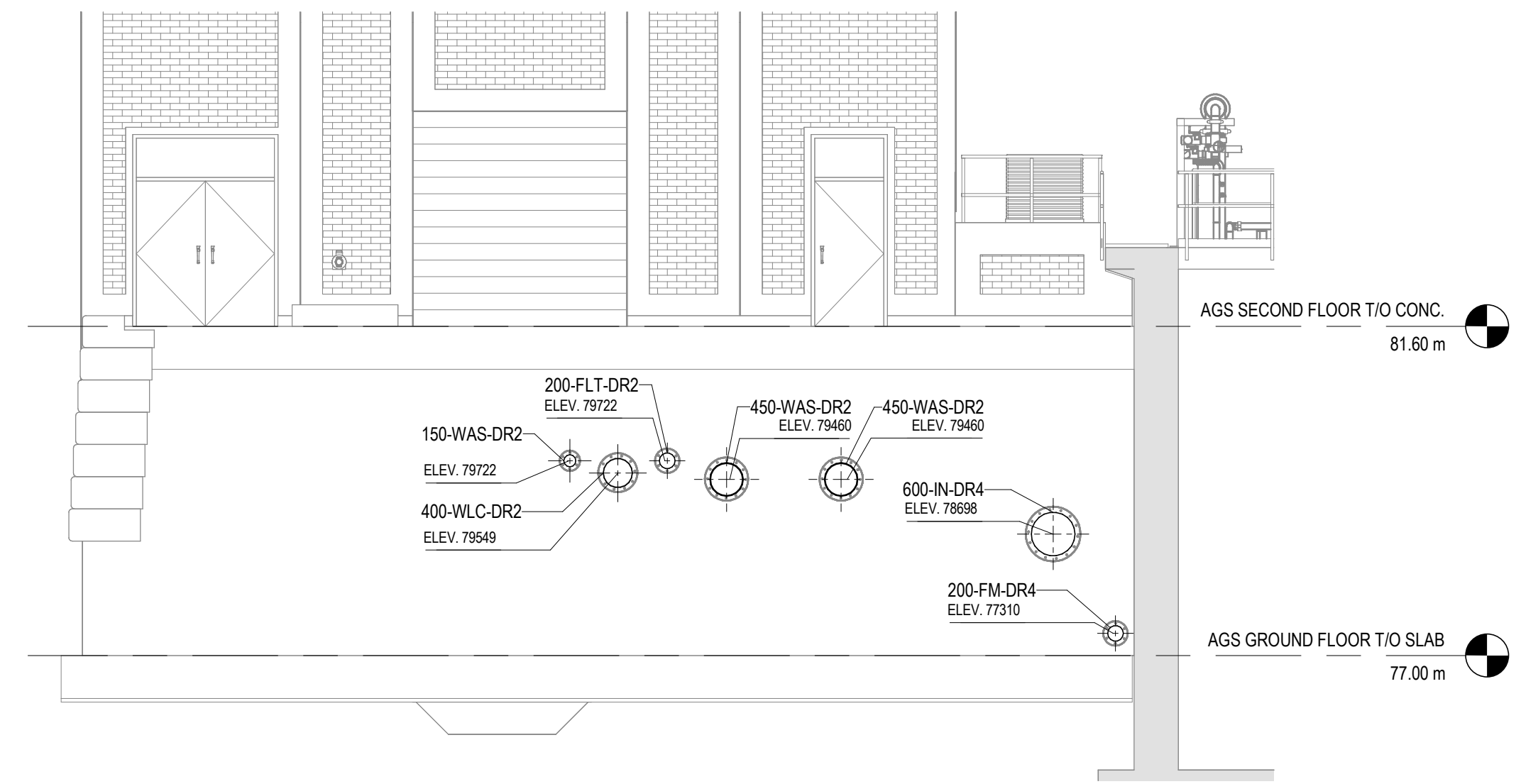
SITE YARD PIPING
SCALE: 1:75



A SECTION A
C0205 1:50



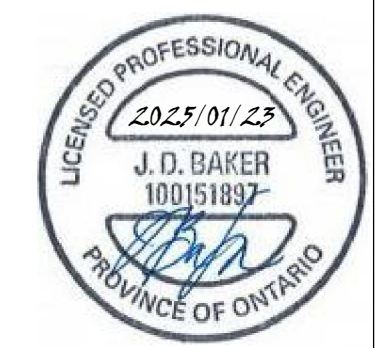
B SECTION B
C0205 1:50



C SECTION C
C0205 1:75

DATE	NO.	REVISION
2024/12/12	2	ISSUED FOR QAVC SUBMISSION
2024/08/23	1	ISSUED FOR ECA APPROVAL

THE DRAWINGS, ARRANGEMENTS, ANNOTATIONS AND GRAPHICAL PRESENTATIONS ON THIS DOCUMENT ARE THE PROPERTY OF EVB ENGINEERING WHO RETAINS OWNERSHIP AND AUTHORSHIP OF THIS DOCUMENT IN ITS ENTIRETY. THIS DOCUMENT IS AN INSTRUMENT OF SERVICE AND IS THE INTELLECTUAL AND PHYSICAL PROPERTY OF EVB ENGINEERING. AUTHORIZED USE OF THIS DRAWING IS GRANTED SOLELY FOR THE PURPOSE OF THIS SPECIFIC PROJECT AND LOCATION, AND NOT FOR CONSTRUCTION OR USE FOR ANY OTHER PROJECT. COPYRIGHT © 2024 EVB ENGINEERING.



CONSULTANT:
EVB ENGINEERING
 800 SECOND STREET WEST
 CORNWALL, ONTARIO CANADA, K6J 1H6
 TEL: 613-935-3775 | FAX: 613-935-6450
 WEBSITE: EVBengineering.com

SUB-CONSULTANT:
CIM+

CLIENT:
Greater Napanee
 GREATER FOR BETTER REGION

PROJECT:
NEW NAPANEE WPCP

TITLE:
SITE YARD PIPING

SCALE:
 As indicated

DESIGNED BY:
 K.B.W/J.J.B.

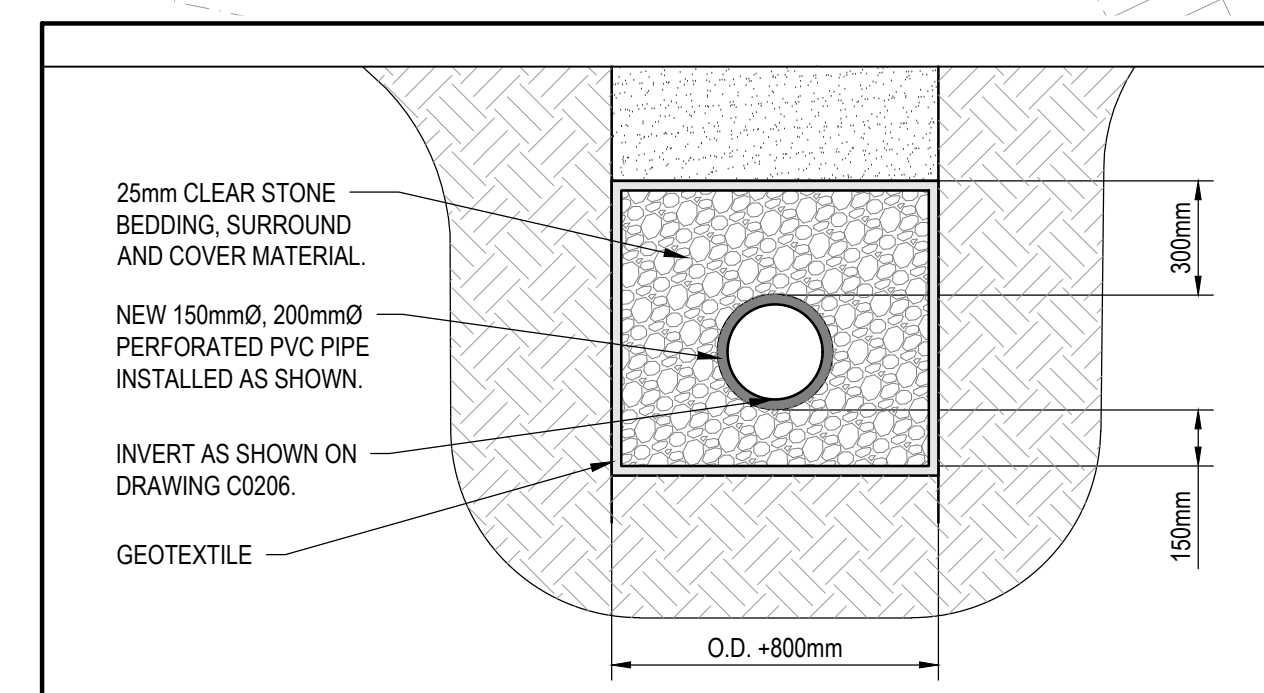
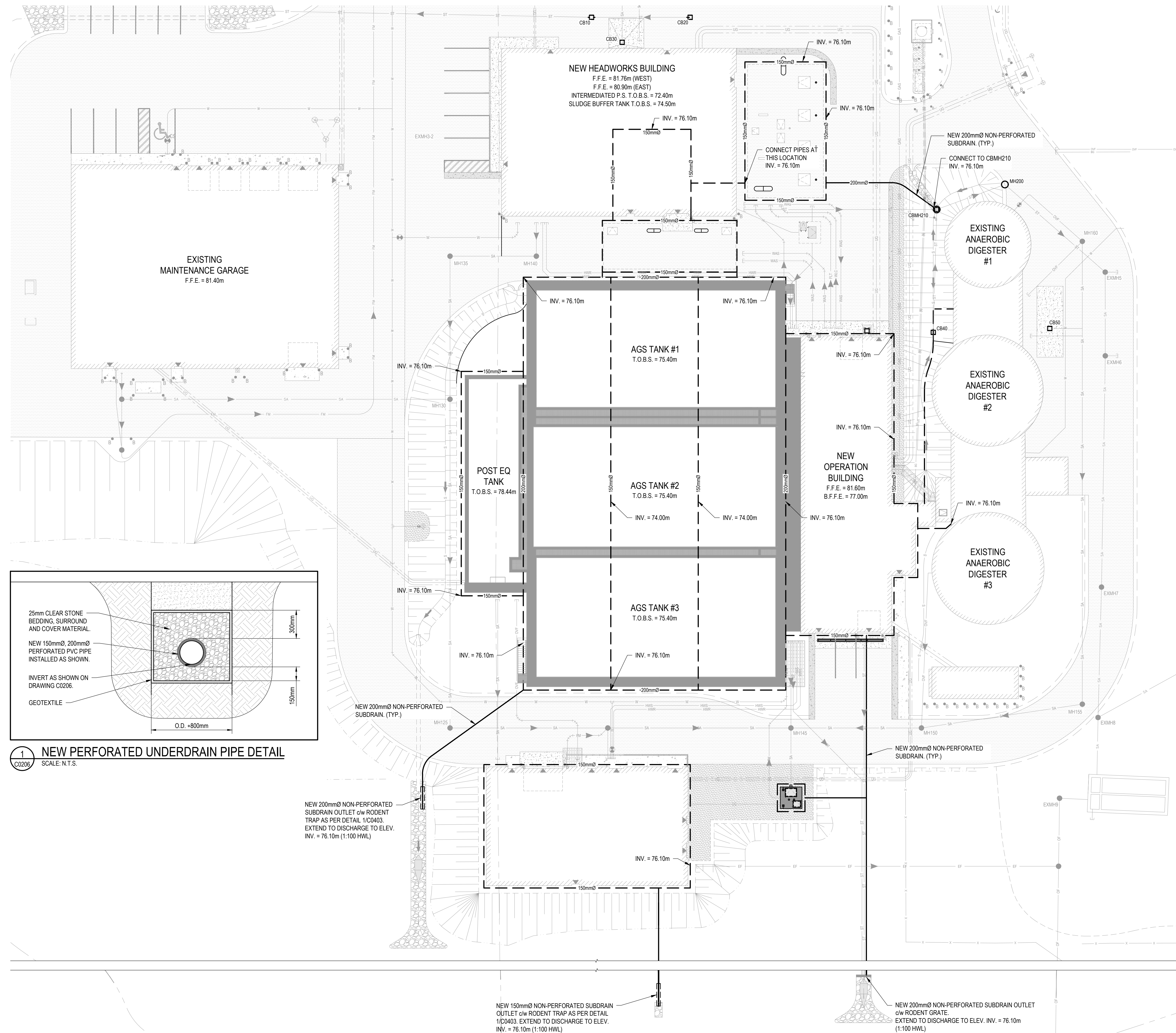
DRAWN BY:
 K.B.W

CHECKED BY:
 J.B.

JOB NO:
 22001

DATE:
 2024/01/03

DRAWING NO.
C0205



1 NEW PERFORATED UNDERDRAIN PIPE DETAIL
SCALE: N.T.S.

LEGEND:

	EXISTING PROPERTY LINE
	NEW EDGE OF ASPHALT
	EXISTING EDGE OF ASPHALT
	NEW CURB
	NEW DEPRESSED CURB
	NEW GRANULAR SHOULDER
	NEW GRANULAR SHOULDER AS PER 14C041
	EXISTING GRANULAR SHOULDER
	EXISTING DITCH CENTERLINE
	NEW SWALE
	NEW TOP OF SLOPE
	EXISTING TOP OF SLOPE
	EXISTING BOTTOM OF SLOPE
	NEW FENCE
	EXISTING FENCE
	NEW SANITARY SEWER
	EXISTING SANITARY SEWER
	NEW SEWAGE FORCEMAIN
	EXISTING SEWAGE FORCEMAIN
	EXISTING BIOGAS PIPE
	NEW EFFLUENT SEWER
	NEW THICKENER FILTRATE
	EXISTING SANITARY OUTFALL
	NEW OVERFLOW PIPE
	EXISTING OVERFLOW PIPE
	NEW RETURN ACTIVATED SLUDGE EX. SLUDGE TRANSFER PIPE
	NEW SUPERNATANT
	NEW WATER LEVEL CONTROL
	NEW WASTE ACTIVATED SLUDGE
	NEW STORM SEWER
	EXISTING STORM SEWER
	NEW SUBDRAIN
	NEW SUMP PUMP LINE
	EXISTING SUMP PUMP LINE
	NEW WATERMAIN
	EXISTING WATERMAIN
	NEW PIPE INSULATION AS PER 10C041
	NEW CULVERT
	EXISTING CULVERT
	NEW SANITARY MANHOLE
	EXISTING SANITARY MANHOLE
	NEW STORM MANHOLE
	EXISTING STORM MANHOLE
	NEW CATCH BASIN MANHOLE
	EXISTING CATCH BASIN MANHOLE
	NEW DITCH INLET
	EXISTING DITCH INLET
	NEW CATCH BASIN
	EXISTING CATCH BASIN
	NEW HYDRANT
	EXISTING HYDRANT
	NEW VALVE
	EXISTING VALVE
	NEW SIAMESE CONNECTION
	NEW UTILITY POLE
	EXISTING UTILITY POLE
	EXISTING LIGHT STANDARD
	NEW PAD MOUNT TRANSFORMER
	SITE TEMPORARY BENCH MARK
	NEW SIGN AND POST
	EXISTING SIGN AND POST
	NEW BARRIER FREE SIGN AND POST
	NEW BOLLARD AS PER 5C0401
	BUILDING ENTRANCE
	NEW RETAINING WALL AS PER DETAIL 2C0402
	NEW HEAVY DUTY ASPHALT AS PER DETAIL 2C0401
	NEW LIGHT DUTY ASPHALT AS PER DETAIL 3C0401
	NEW ASPHALT TOP LIFT AS PER DETAIL 4C041
	NEW CONCRETE SIDEWALK
	RIP-RAP <i>o/w</i> GEOTEXTILE AS PER O.P.S.D. 810.010/C0406
	NEW BUILDING OUTLINE
	EXISTING BUILDING OUTLINE
F.F.E. =	FINISHED FLOOR ELEVATION
B.F.F.E. =	BASEMENT FINISHED FLOOR ELEVATION
T.O.B.S. =	TOP OF CONCRETE BASE SLAB ELEVATION

- NOTES:**
- CONTRACTOR TO VERIFY LOCATION OF ALL BURIED SERVICES PRIOR TO START OF CONSTRUCTION.
 - TOPOGRAPHIC INFORMATION PROVIDED BY HOPKINS CHITTY LAND SURVEYORS INC.
 - ELEVATIONS ARE GEODETIC AND ARE DERIVED FROM SIMULTANEOUS GPS OBSERVATIONS AND ARE REFERRED TO CGVD28 DATUM.
 - ALL DISTURBED AREAS TO BE REINSTATED WITH 100mm TOPSOIL AND SOD UNLESS OTHERWISE NOTED.

2025/01/23	2	ISSUED FOR TENDER
2024/08/23	1	ISSUED FOR ECA APPROVAL
DATE	No.	REVISION

THE DRAWINGS, ARRANGEMENTS, ANNOTATIONS AND GRAPHICAL PRESENTATIONS ON THIS DOCUMENT ARE THE PROPERTY OF EVB ENGINEERING WHO RETAINS OWNERSHIP AND AUTHORSHIP OF THIS DOCUMENT IN ITS ENTIRETY. THIS DOCUMENT IS AN INSTRUMENT OF SERVICE AND IS THE INTELLECTUAL AND PHYSICAL PROPERTY OF EVB ENGINEERING. AUTHORIZED USE OF THIS DRAWING IS GRANTED SOLELY FOR THE PURPOSE OF THIS SPECIFIC PROJECT AND LOCATION, AND NOT FOR CONSTRUCTION OR USE FOR ANY OTHER PROJECT. COPYRIGHT © 2024 EVB ENGINEERING.

CONSULTANT:

800 SECOND STREET WEST
CORNWALL, ONTARIO CANADA, K6J 1H6
TEL: 613-935-3775 | FAX: 613-935-6450
WEBSITE: EVBengineering.com

PROJECT NORTH

T.N. = TRUE NORTH

CONSULTANT:

SUB-CONSULTANT:

Greater Napanee
SERVICES FOR MANY RESIDENTS

CLIENT:

NEW NAPANEE WPCP

PROJECT:

NEW NAPANEE WPCP

TITLE:

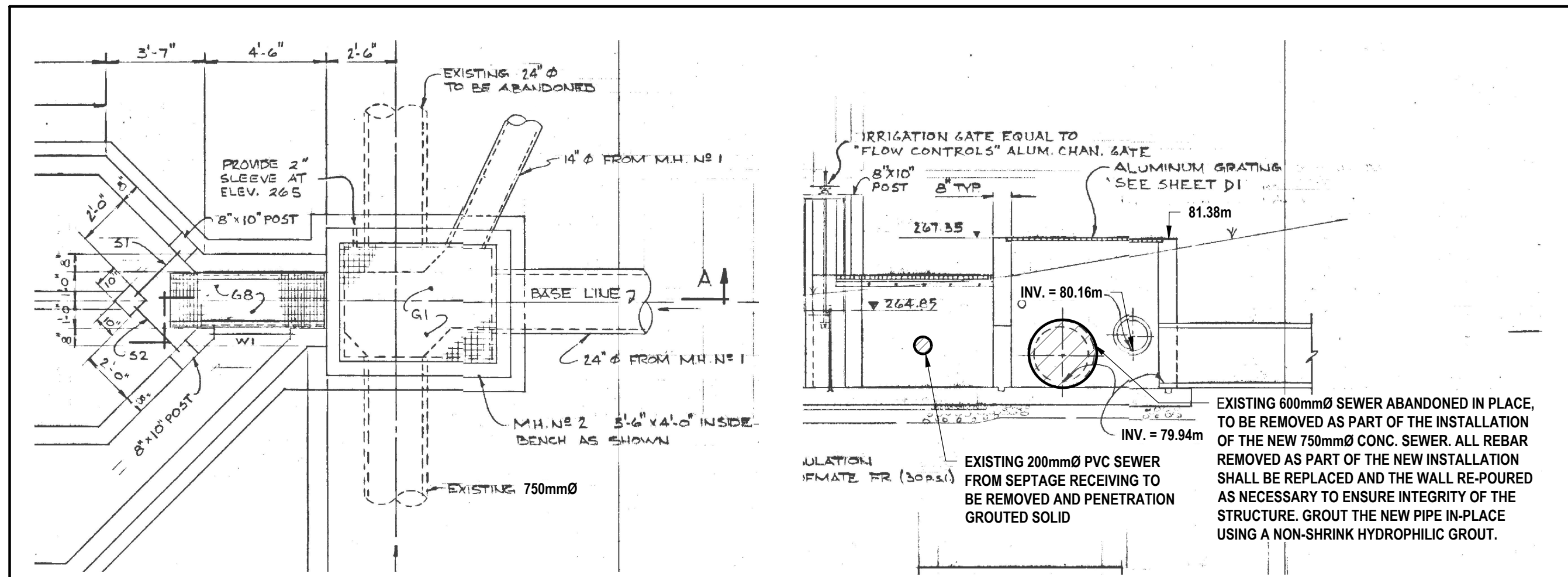
PARTIAL SITE SERVICING PLAN
BUILDING SUBDRAINS

TEMPORARY BENCH MARKS

T.B.M. No.	ELEV. (m)	T.B.M. DESCRIPTION
T.B.M.#1	81.46	TOP OF IRON BAR
T.B.M.#2	76.64	TOP OF IRON BAR

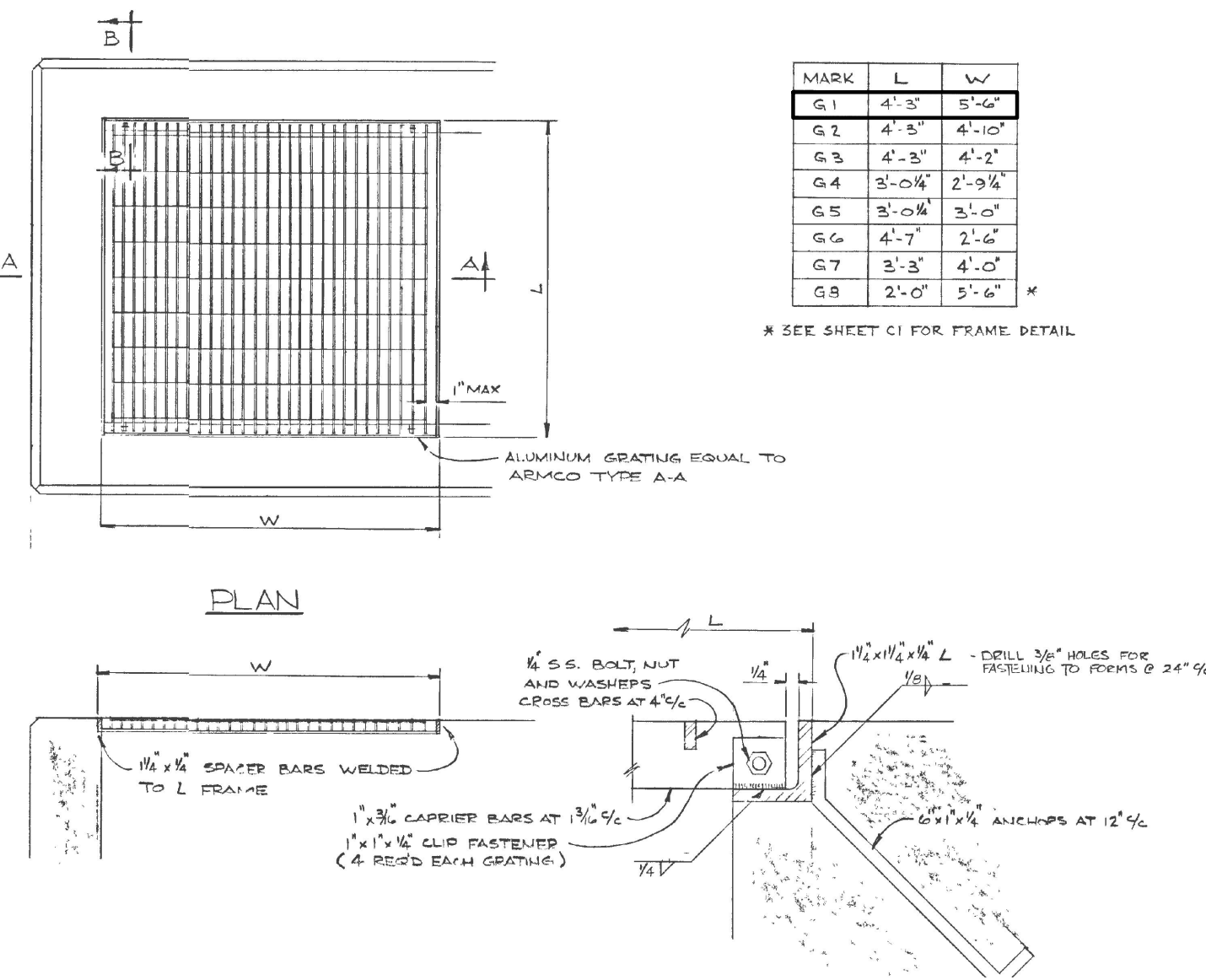
SCALE:	1:250	JOB NO:	22001
DESIGNED BY:	J.B.	DATE:	2025/01/23
DRAWN BY:	K.B.W.	DRAWING NO.:	C0206
CHECKED BY:	J.B.		

M:\2025\20251 - Napanee WPCP Upgrade\1-Dwg - WPCP-6-C-0402-Production\2501_C0206.dwg, Jan 21, 2025, 1:46pm BY: Kevin White



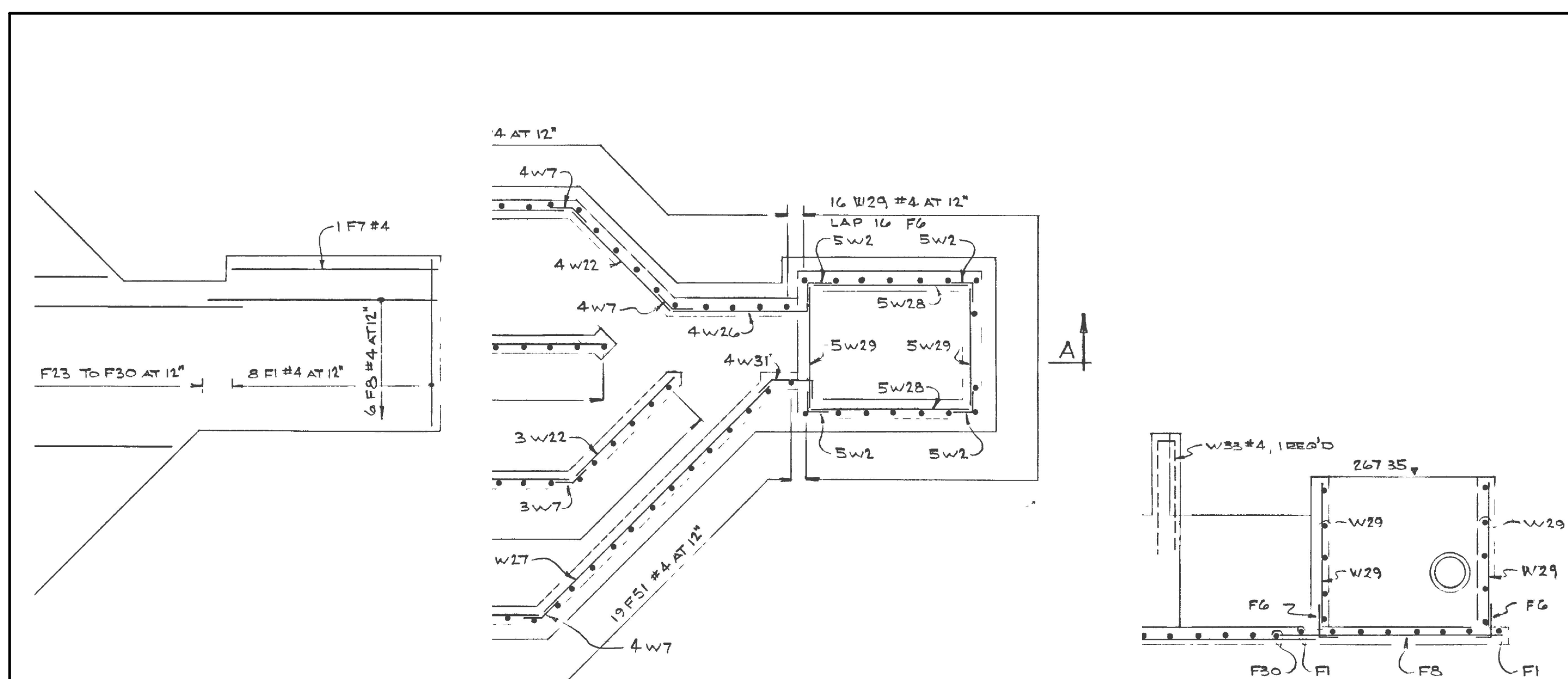
PLAN - EXISTING INFLUENT CHAMBER (MH No.2)
SCALE: N.T.S.

SECTION A
SCALE: N.T.S.



EXISTING GRATING DETAIL
SCALE: N.T.S.

EXISTING INFLUENT CHAMBER (MH No.2) DETAILS
SCALE: 1:100

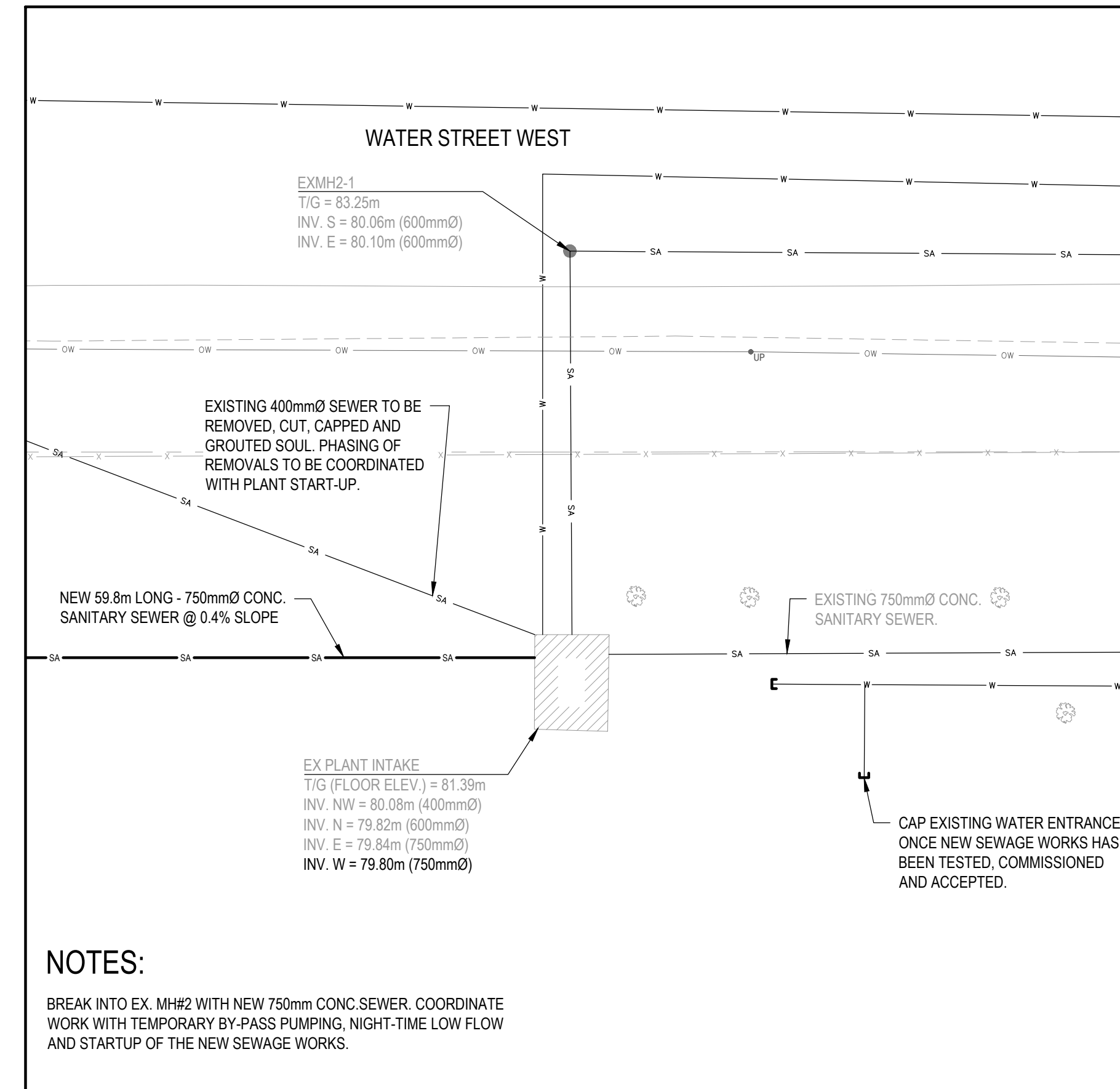


FOOTING PLAN @ ELEV. 262.00
SCALE: N.T.S.

EXISTING WALL PLAN
SCALE: N.T.S.

SECTION A
SCALE: N.T.S.

EXISTING INFLUENT CHAMBER (MH No.2) REINFORCING DETAILS
SCALE: 1:100



NOTES:

BREAK INTO EX. MH#2 WITH NEW 750mm CONC. SEWER, COORDINATE WORK WITH TEMPORARY BY-PASS PUMPING, NIGHT-TIME LOW FLOW AND STARTUP OF THE NEW SEWAGE WORKS.

SITE PLAN - EXISTING INFLUENT CHAMBER
SCALE: 1:100



PHOTO # 1 - WEST FACE OF MANHOLE #2 PENTHOUSE
SCALE: N.T.S.

LEGEND:

- EXISTING PROPERTY LINE
 - NEW EDGE OF ASPHALT
 - EXISTING EDGE OF ASPHALT
 - NEW CURB
 - NEW DEPRESSED CURB
 - NEW GRANULAR SHOULDER AS PER 6/C0301
 - EXISTING GRANULAR SHOULDER
 - EXISTING DITCH CENTERLINE
 - NEW SWALE
 - NEW TOP OF SLOPE
 - EXISTING TOP OF SLOPE
 - EXISTING BOTTOM OF SLOPE
 - NEW FENCE
 - EXISTING FENCE
 - SA NEW SANITARY SEWER
 - SA EXISTING SANITARY SEWER
 - SA NEW SEWAGE FORCEMAIN
 - SA EXISTING SEWAGE FORCEMAIN
 - SA EXISTING BIOGAS PIPE
 - SA NEW EFFLUENT SEWER
 - SA NEW THICKENER FILTRATE
 - SA EXISTING SANITARY OUTFALL
 - SA NEW OVERFLOW PIPE
 - SA EXISTING OVERFLOW PIPE
 - SA NEW RETURN ACTIVATED SLUDGE EX. SLUDGE TRANSFER PIPE
 - SA NEW SUPERNATANT
 - SA NEW WATER LEVEL CONTROL
 - SA NEW WASTE ACTIVATED SLUDGE
 - SA NEW STORM SEWER
 - SA EXISTING STORM SEWER
 - SA NEW SUBDRAIN
 - SA NEW SUMP PUMP LINE
 - SA EXISTING SUMP PUMP LINE
 - SA NEW WATERMAIN
 - SA EXISTING WATERMAIN
 - SA NEW PIPE INSULATION AS PER 2/C0301
 - SA NEW CULVERT
 - SA EXISTING CULVERT
 - SA NEW SANITARY MANHOLE
 - SA EXISTING SANITARY MANHOLE
 - SA NEW STORM MANHOLE
 - SA EXISTING STORM MANHOLE
 - SA NEW CATCH BASIN MANHOLE
 - SA EXISTING CATCH BASIN MANHOLE
 - SA NEW DITCH INLET
 - SA EXISTING DITCH INLET
 - SA NEW CATCH BASIN
 - SA EXISTING CATCH BASIN
 - SA NEW HYDRANT
 - SA EXISTING HYDRANT
 - SA NEW VALVE
 - SA EXISTING VALVE
 - SA NEW SIAMSESE CONNECTION
 - SA NEW UTILITY POLE
 - SA EXISTING UTILITY POLE
 - SA EXISTING LIGHT STANDARD
 - SA NEW PAD MOUNT TRANSFORMER
 - SA SITE TEMPORARY BENCH MARK
 - SA NEW SIGN AND POST
 - SA EXISTING SIGN AND POST
 - SA NEW BARRIER FREE SIGN AND POST
 - SA NEW BOLLARD AS PER 5/C0401
 - SA BUILDING ENTRANCE
 - SA NEW RETAINING WALL AS PER DETAIL 2/C0402
 - SA NEW HEAVY DUTY ASPHALT AS PER DETAIL 3/C0401
 - SA NEW LIGHT DUTY ASPHALT AS PER DETAIL 4/C0401
 - SA NEW ASPHALT TOP LIFT AS PER DETAIL 5/C0401
 - SA NEW CONCRETE SIDEWALK
 - SA RIP-RAP o/w GEOTEXTILE AS PER O.P.S.D. 810.010/C0406
 - SA NEW BUILDING OUTLINE
 - SA EXISTING BUILDING OUTLINE
- F.F.E. = FINISHED FLOOR ELEVATION
B.F.F.E. = BASEMENT FINISHED FLOOR ELEVATION
T.O.B.S. = TOP OF CONCRETE BASE SLAB ELEVATION

NOTES:

- CONTRACTOR TO VERIFY LOCATION OF ALL BURIED SERVICES PRIOR TO START OF CONSTRUCTION.
- TOPOGRAPHIC INFORMATION PROVIDED BY HOPKINS CHITTY LAND SURVEYORS INC.
- ELEVATIONS ARE GEODETIC AND ARE DERIVED FROM SIMULTANEOUS GPS OBSERVATIONS AND ARE REFERRED TO CGVD28 DATUM.
- ALL DISTURBED AREAS TO BE REINSTATED WITH 100mm TOPSOIL AND SOD UNLESS OTHERWISE NOTED.
- EXISTING DETAILS ARE EXTRACTED FROM THE EXISTING DRAWINGS (AS BUILTS), SPECIFICALLY:
 - JD LEE ENGINEERING LTD. (1976) WPCP DRAWINGS 29/30/40/44/45/48
 - JD LEE ENGINEERING LTD. (1978) WPCP DRAWING 50
 - GORE & SORRIE LTD. (1988) WPCP DRAWING 1

DATE	No.	REVISION
2025/01/23	2	ISSUED FOR TENDER
2024/08/23	1	ISSUED FOR ECA APPROVAL

THE DRAWINGS, ARRANGEMENTS, ANNOTATIONS AND GRAPHICAL PRESENTATIONS ON THIS DOCUMENT ARE THE PROPERTY OF EVB ENGINEERING WHO RETAINS OWNERSHIP AND AUTHORSHIP OF THIS DOCUMENT IN ITS ENTIRETY. THIS DOCUMENT IS AN INSTRUMENT OF SERVICE AND IS THE INTELLECTUAL AND PHYSICAL PROPERTY OF EVB ENGINEERING. AUTHORIZED USE OF THIS DRAWING IS GRANTED SOLELY FOR THE PURPOSE OF THIS SPECIFIC PROJECT AND LOCATION, AND NOT FOR CONSTRUCTION OR USE FOR ANY OTHER PROJECT. COPYRIGHT © 2024 EVB ENGINEERING.

PROFESSIONAL ENGINEER
2025/01/23
J.D. BAKER
100151897
PROVINCE OF ONTARIO

PROJECT NORTH
T.N. = TRUE NORTH

CONSULTANT:

800 SECOND STREET WEST
CORNWALL, ONTARIO CANADA, K6J 1H6
TEL: 613-935-3775 | FAX: 613-935-6450
WEBSITE: EVBengineering.com

SUB-CONSULTANT:

CLIENT:

PROJECT:

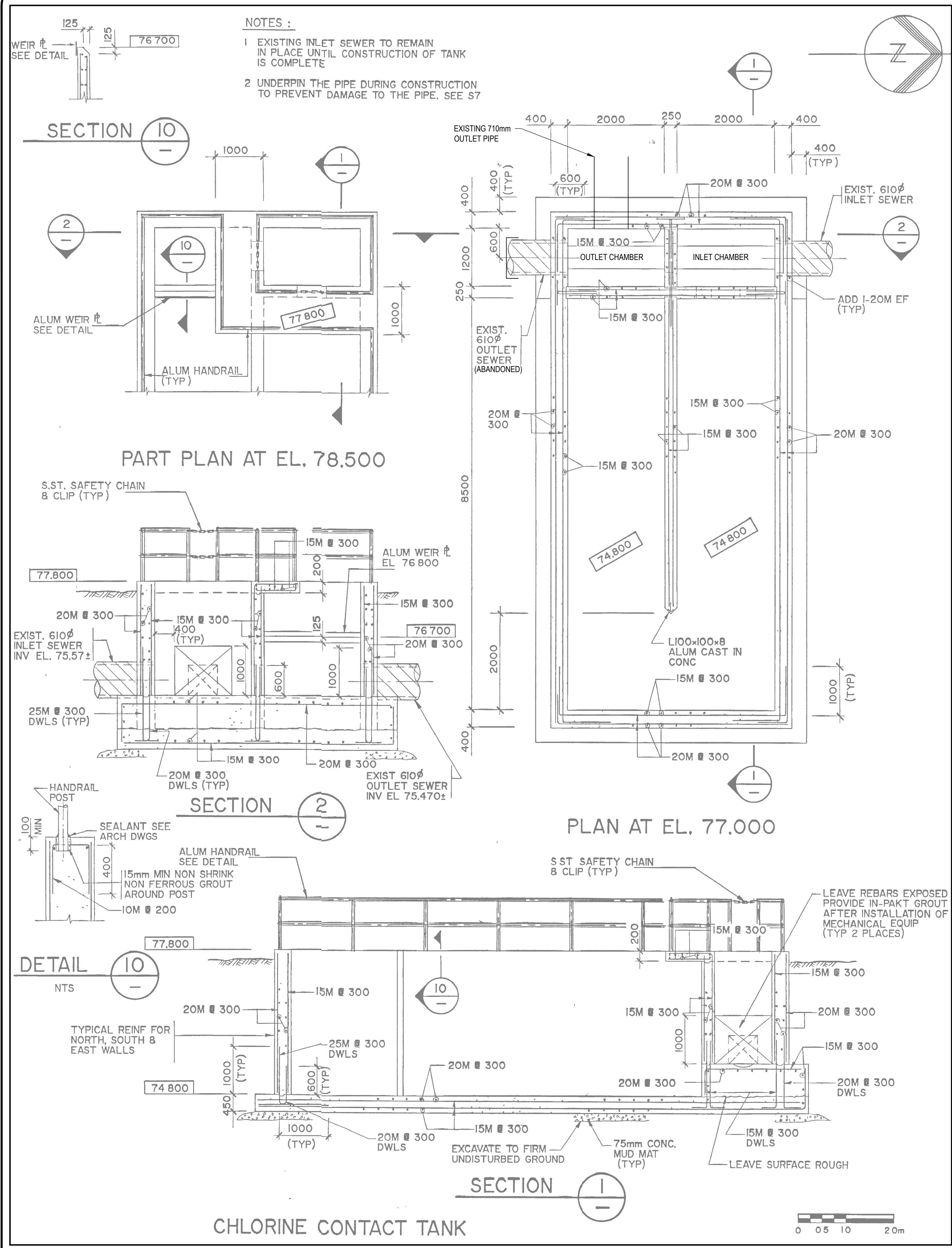
NEW NAPANEE WPCP

TITLE:

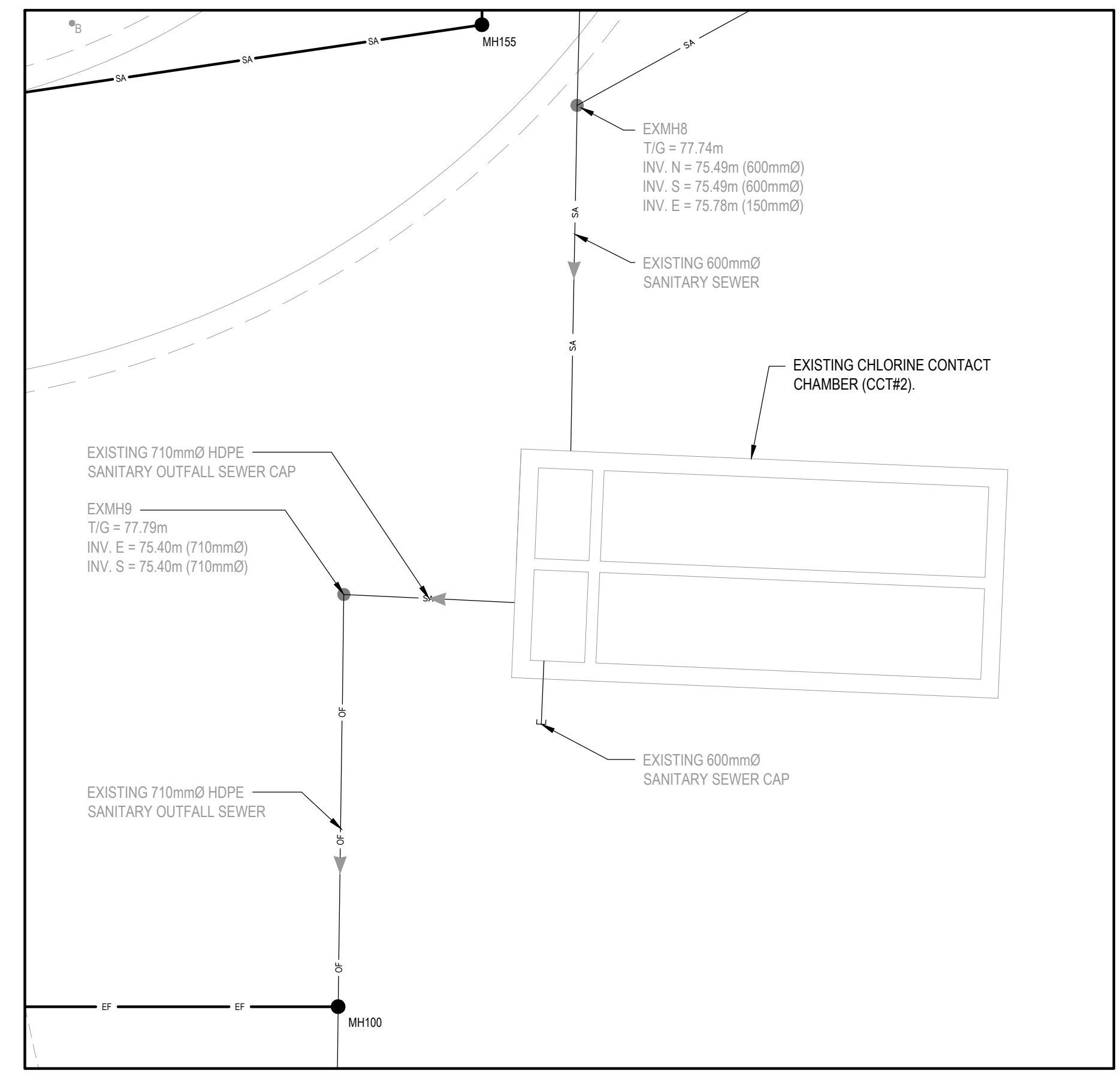
EXISTING INFLUENT CHAMBER MODIFICATIONS

SCALE:	JOB NO:
AS SHOWN	22001
DESIGNED BY:	DATE:
J.B.	2025/01/23
DRAWN BY:	DRAWING NO.
K.B.W.	
CHECKED BY:	
J.B.	

11/02/2025 11:45:00 AM - Napanee WPCP Upgrade - 3D Draw - WPCP 3D - Civil 3D - Production 2025/01/23 10:07 AM - J.D. Baker - J.D. Baker (View Only)



EXISTING CHLORINE CONTACT TANK DETAILS
SCALE: 1:100



SITE PLAN - CHLORINE CONTACT TANK
SCALE: 1:100



PHOTO #1 - CCT2 INLET CHAMBER
SCALE: N.T.S.



PHOTO #2 - CCT2 CHAMBER
SCALE: N.T.S.

LEGEND:

---	EXISTING PROPERTY LINE
---	NEW EDGE OF ASPHALT
---	EXISTING EDGE OF ASPHALT
---	NEW CURB
---	NEW DEPRESSED CURB
---	NEW GRANULAR SHOULDER AS PER 6/C0301
---	EXISTING GRANULAR SHOULDER
---	EXISTING DITCH CENTERLINE
---	NEW SWALE
---	NEW TOP OF SLOPE
---	EXISTING TOP OF SLOPE
---	EXISTING BOTTOM OF SLOPE
---	NEW FENCE
---	EXISTING FENCE
---	NEW SANITARY SEWER
---	EXISTING SANITARY SEWER
---	NEW SEWAGE FORCEMAIN
---	EXISTING SEWAGE FORCEMAIN
---	EXISTING BIOGAS PIPE
---	NEW EFFLUENT SEWER
---	NEW THICKENER FILTRATE
---	EXISTING SANITARY OUTFALL
---	NEW OVERFLOW PIPE
---	EXISTING OVERFLOW PIPE
---	NEW RETURN ACTIVATED SLUDGE EX. SLUDGE TRANSFER PIPE
---	NEW SUPERNATANT
---	NEW WATER LEVEL CONTROL
---	NEW WASTE ACTIVATED SLUDGE
---	NEW STORM SEWER
---	EXISTING STORM SEWER
---	NEW SUBDRAIN
---	NEW SUMP PUMP LINE
---	EXISTING SUMP PUMP LINE
---	NEW WATERMAIN
---	EXISTING WATERMAIN
---	NEW PIPE INSULATION AS PER 2/C0301
---	NEW CULVERT
---	EXISTING CULVERT
---	NEW SANITARY MANHOLE
---	EXISTING SANITARY MANHOLE
---	NEW STORM MANHOLE
---	EXISTING STORM MANHOLE
---	NEW CATCH BASIN MANHOLE
---	EXISTING CATCH BASIN MANHOLE
---	NEW DITCH INLET
---	EXISTING DITCH INLET
---	NEW CATCH BASIN
---	EXISTING CATCH BASIN
---	NEW HYDRANT
---	EXISTING HYDRANT
---	NEW VALVE
---	EXISTING VALVE
---	NEW SIAMESE CONNECTION
---	NEW UTILITY POLE
---	EXISTING UTILITY POLE
---	EXISTING LIGHT STANDARD
---	NEW PAD MOUNT TRANSFORMER
---	SITE TEMPORARY BENCH MARK
---	NEW SIGN AND POST
---	EXISTING SIGN AND POST
---	NEW BARRIER FREE SIGN AND POST
---	NEW BOLLARD AS PER 5/C0401
---	BUILDING ENTRANCE
---	NEW RETAINING WALL AS PER DETAIL 2/C0402
---	NEW HEAVY DUTY ASPHALT AS PER DETAIL 3/C0401
---	NEW LIGHT DUTY ASPHALT AS PER DETAIL 4/C0401
---	NEW ASPHALT TOP LIFT AS PER DETAIL 5/C0401
---	NEW CONCRETE SIDEWALK
---	RIP-RAP c/w GEOTEXTILE AS PER O.P.S.D. 810.010/C0406
---	NEW BUILDING OUTLINE
---	EXISTING BUILDING OUTLINE
F.F.E. =	FINISHED FLOOR ELEVATION
B.F.F.E. =	BASEMENT FINISHED FLOOR ELEVATION
T.O.B.S. =	TOP OF CONCRETE BASE SLAB ELEVATION

- NOTES:**
- CONTRACTOR TO VERIFY LOCATION OF ALL BURIED SERVICES PRIOR TO START OF CONSTRUCTION.
 - TOPOGRAPHIC INFORMATION PROVIDED BY HOPKINS CHITTY LAND SURVEYORS INC.
 - ELEVATIONS ARE GEODETIC AND ARE DERIVED FROM SIMULTANEOUS GPS OBSERVATIONS AND ARE REFERRED TO CGVD28 DATUM.
 - ALL DISTURBED AREAS TO BE REINSTATED WITH 100mm TOPSOIL AND SOD UNLESS OTHERWISE NOTED.
 - EXISTING DETAILS ARE COPIED FROM THE AS BUILT DRAWINGS, SPECIFICALLY:
 - GORE & STORIES LTD.(1988) WPCP DWG. 96
 - AINLEY & ASSOCIATES (1993) WPCP DWG. 129

DATE	No.	REVISION
2025/01/23	2	ISSUED FOR TENDER
2024/08/23	1	ISSUED FOR ECA APPROVAL

THE DRAWINGS, ARRANGEMENTS, ANNOTATIONS AND GRAPHICAL PRESENTATIONS ON THIS DOCUMENT ARE THE PROPERTY OF EVB ENGINEERING WHO RETAINS OWNERSHIP AND AUTHORSHIP OF THIS DOCUMENT IN ITS ENTIRETY. THIS DOCUMENT IS AN INSTRUMENT OF SERVICE AND IS THE INTELLECTUAL AND PHYSICAL PROPERTY OF EVB ENGINEERING. AUTHORIZED USE OF THIS DRAWING IS GRANTED SOLELY FOR THE PURPOSE OF THIS SPECIFIC PROJECT AND LOCATION, AND NOT FOR CONSTRUCTION OR USE FOR ANY OTHER PROJECT. COPYRIGHT © 2024 EVB ENGINEERING.

PROJECT NORTH

T.N. = TRUE NORTH

CONSULTANT:

EVB ENGINEERING

800 SECOND STREET WEST
CORNWALL, ONTARIO CANADA, K6J 1H6
TEL: 613-935-3775 | FAX: 613-935-6450
WEBSITE: EVBengineering.com

SUB-CONSULTANT:

CIMA+

CLIENT:

Greater Napanee
SEARCH FOR MANY RESOURCES

PROJECT:

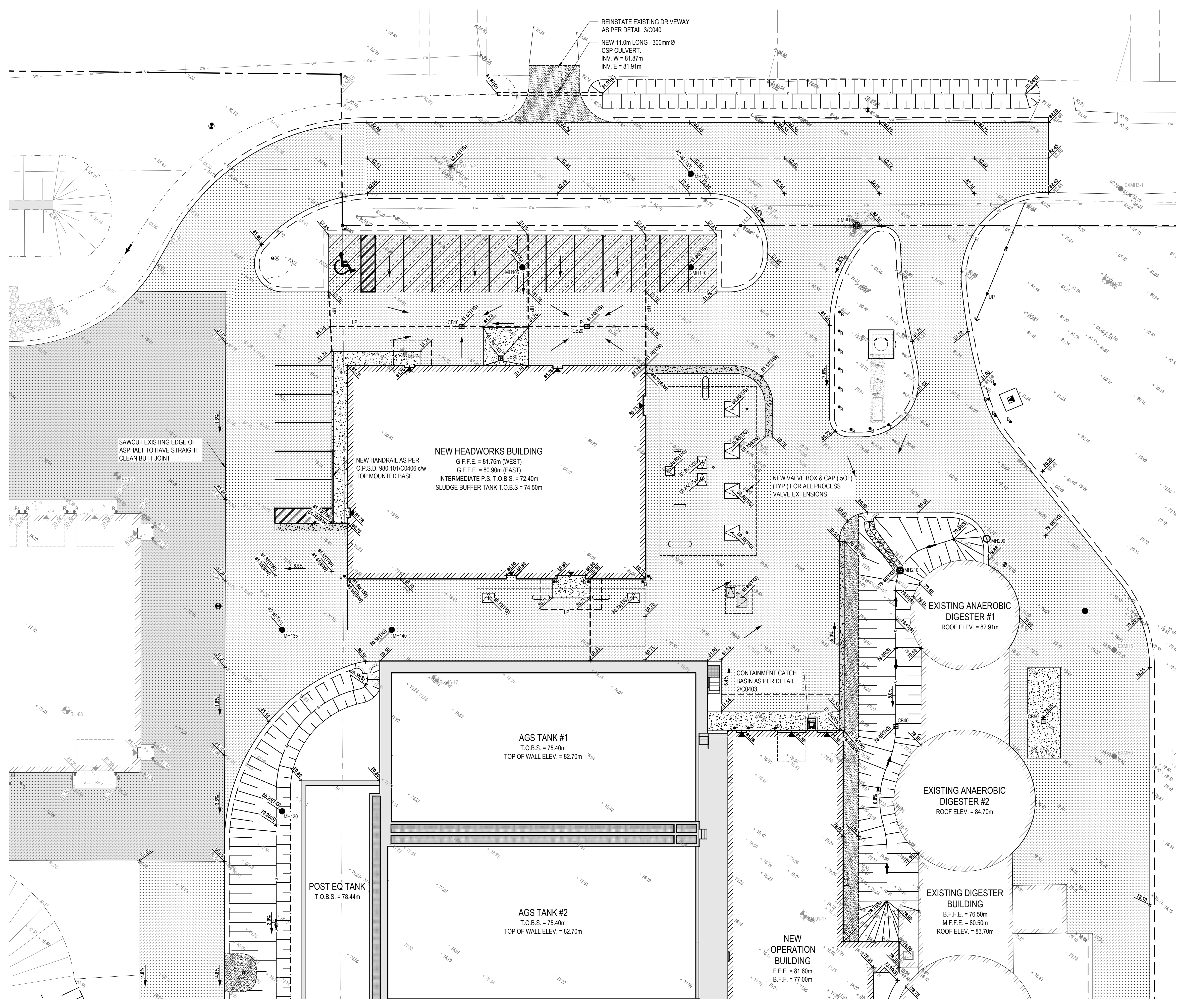
NEW NAPANEE WPCP

TITLE:

EXISTING CHLORINE CONTACT TANK MODIFICATION

SCALE: 1:100	JOB NO: 22001
DESIGNED BY: J.B.	DATE: 2025/01/23
DRAWN BY: K.B.W.	DRAWING NO.
CHECKED BY: J.B.	C0208

1/10/2025/20251 - Napanee WPCP Upgrade/Detail Dwg - WPCP & Culvert Production/20251 - C0208.dwg - Jan 24, 2025 - 1:56pm BY: (Kevin White)



LEGEND:

	EXISTING PROPERTY LINE
	NEW EDGE OF ASPHALT
	EXISTING EDGE OF ASPHALT
	NEW CURB
	NEW DEPRESSED CURB
	NEW GRANULAR SHOULDER AS PER 6C0301
	EXISTING GRANULAR SHOULDER
	EXISTING DITCH CENTERLINE
	NEW SWALE
	NEW TOP OF SLOPE
	EXISTING TOP OF SLOPE
	EXISTING BOTTOM OF SLOPE
	NEW FENCE
	EXISTING FENCE
	NEW CULVERT
	EXISTING CULVERT
	NEW SANITARY MANHOLE
	EXISTING SANITARY MANHOLE
	NEW STORM MANHOLE
	EXISTING STORM MANHOLE
	NEW CATCH BASIN MANHOLE
	EXISTING CATCH BASIN MANHOLE
	NEW DITCH INLET
	EXISTING DITCH INLET
	NEW CATCH BASIN
	EXISTING CATCH BASIN
	NEW HYDRANT
	EXISTING HYDRANT
	NEW VALVE
	EXISTING VALVE
	NEW SIAMESE CONNECTION
	NEW UTILITY POLE
	EXISTING UTILITY POLE
	EXISTING LIGHT STANDARD
	NEW PAD MOUNT TRANSFORMER
	SITE TEMPORARY BENCH MARK
	NEW SIGN AND POST
	EXISTING SIGN AND POST
	NEW BARRIER FREE SIGN AND POST
	NEW BOLLARD AS PER 5C0401
	BUILDING ENTRANCE
	FINISHED GROUND ELEVATION
	FINISHED TOP OF GRATE ELEVATION
	FINISHED TOP OF CONCRETE ELEVATION
	FINISHED SWALE ELEVATION
	FINISHED DOOR SILL ELEVATION
	FINISHED BOTTOM OF CONCRETE WALL ELEVATION
	FINISHED TOP OF CONCRETE WALL ELEVATION
	EXISTING GROUND ELEVATION
	NEW LOW POINT
	NEW HIGH POINT
	NEW RETAINING WALL AS PER DETAIL 2C0402
	NEW HEAVY DUTY ASPHALT AS PER DETAIL 3C0401
	NEW LIGHT DUTY ASPHALT AS PER DETAIL 4C0401
	NEW ASPHALT TOP LIFT AS PER DETAIL 5C0401
	NEW CONCRETE SIDEWALK
	RIP-RAP c/w GEOTEXTILE AS PER O.P.S.D. 810.010/C0401
	NEW BUILDING OUTLINE
	EXISTING BUILDING OUTLINE
	F.F.E. = FINISHED FLOOR ELEVATION
	B.F.F.E. = BASEMENT FINISHED FLOOR ELEVATION
	T.O.B.S. = TOP OF CONCRETE BASE SLAB ELEVATION

- NOTES:**
- CONTRACTOR TO VERIFY LOCATION OF ALL BURIED SERVICES PRIOR TO START OF CONSTRUCTION.
 - TOPOGRAPHIC INFORMATION PROVIDED BY HOPKINS CHITTY LAND SURVEYORS INC.
 - ELEVATIONS ARE GEODETIC AND ARE DERIVED FROM SIMULTANEOUS GPS OBSERVATIONS AND ARE REFERRED TO CGVD28 DATUM.
 - ALL DISTURBED AREAS TO BE REINSTATED WITH 100mm TOPSOIL AND SOD UNLESS OTHERWISE NOTED.

2025/01/23	2	ISSUED FOR TENDER
2024/08/23	1	ISSUED FOR ECA APPROVAL
DATE	No.	REVISION

THE DRAWINGS, ARRANGEMENTS, ANNOTATIONS AND GRAPHICAL PRESENTATIONS ON THIS DOCUMENT ARE THE PROPERTY OF EVB ENGINEERING WHO RETAINS OWNERSHIP AND AUTHORSHIP OF THIS DOCUMENT IN ITS ENTIRETY. THIS DOCUMENT IS AN INSTRUMENT OF SERVICE AND IS THE INTELLECTUAL AND PHYSICAL PROPERTY OF EVB ENGINEERING. AUTHORIZED USE OF THIS DRAWING IS GRANTED SOLELY FOR THE PURPOSE OF THIS SPECIFIC PROJECT AND LOCATION, AND NOT FOR CONSTRUCTION OR USE FOR ANY OTHER PROJECT. COPYRIGHT © 2024 EVB ENGINEERING.

PROFESSIONAL ENGINEER
J.D. BAKER
100151837
PROVINCE OF ONTARIO

PROJECT NORTH

T.N. = TRUE NORTH

CONSULTANT:

EVB ENGINEERING

800 SECOND STREET WEST
CORNWALL, ONTARIO CANADA, K6J 1H6
TEL: 613-935-3775 | FAX: 613-935-6450
WEBSITE: EVBengineering.com

SUB-CONSULTANT:

CLIENT:

PROJECT:

NEW NAPANEE WPCP

TITLE:

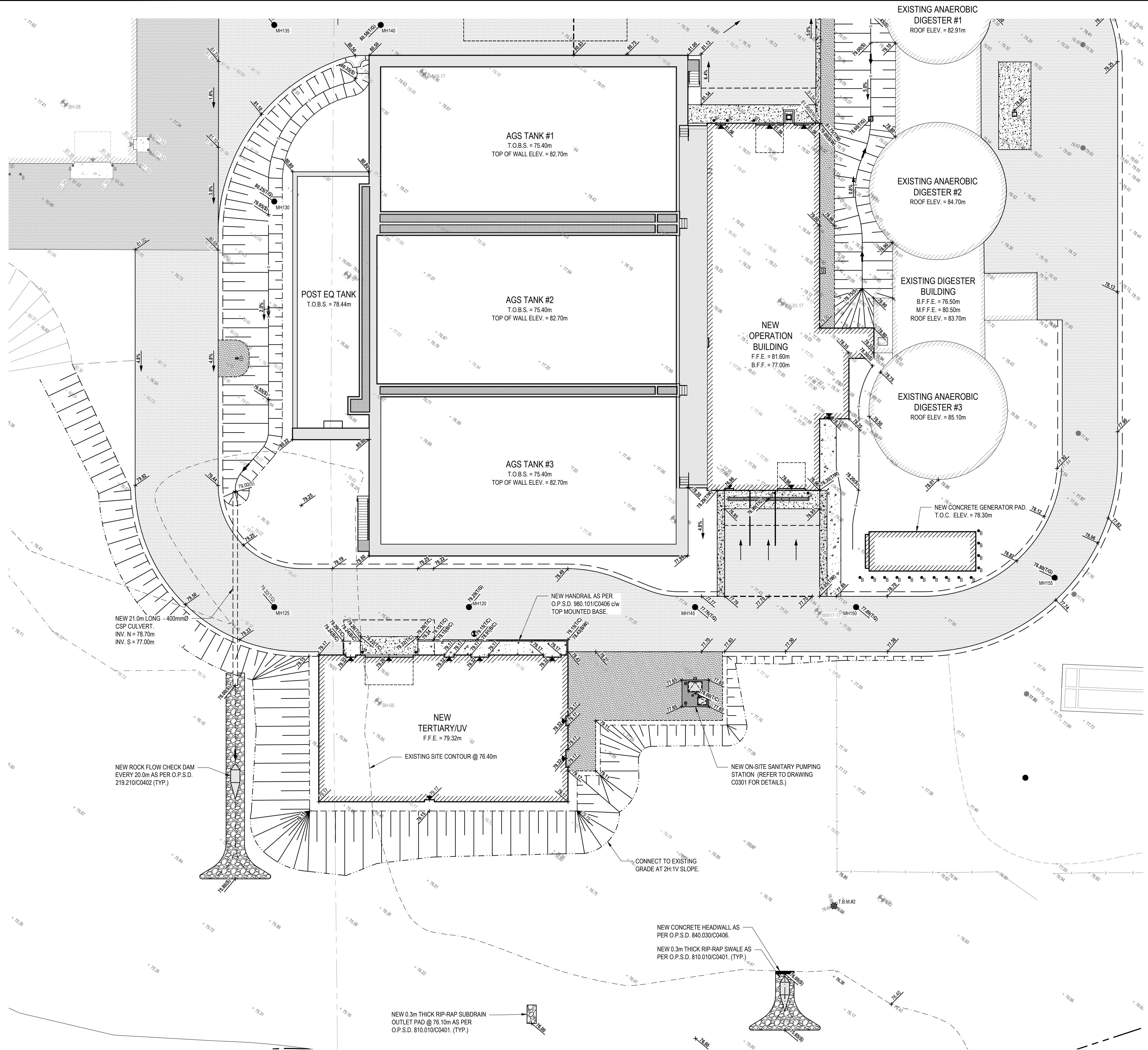
PARTIAL SITE GRADING

TEMPORARY BENCH MARKS

T.B.M. No.	ELEV. (m)	T.B.M. DESCRIPTION
T.B.M.#1	81.46	TOP OF IRON BAR
T.B.M.#2	76.64	TOP OF IRON BAR

SCALE: 1:200	JOB NO: 22001
DESIGNED BY: J.B.	DATE: 2025/01/23
DRAWN BY: K.B.W.	DRAWING NO.
CHECKED BY: J.B.	C0209

M:\2025\20251 - Napanee WPCP Upgrade\DWG - WPCP\6 - Civil\2 - Production\20251 - C0209-01.dwg, Jan 24, 2025 - 15:56:57 (Ken White)



LEGEND:

- EXISTING PROPERTY LINE
- NEW EDGE OF ASPHALT
- EXISTING EDGE OF ASPHALT
- NEW CURB
- NEW DEPRESSED CURB
- NEW GRANULAR SHOULDER AS PER 6C0301
- EXISTING GRANULAR SHOULDER
- EXISTING DITCH CENTERLINE
- NEW SWALE
- NEW TOP OF SLOPE
- EXISTING TOP OF SLOPE
- EXISTING BOTTOM OF SLOPE
- NEW FENCE
- EXISTING FENCE
- NEW CULVERT
- EXISTING CULVERT
- NEW SANITARY MANHOLE
- EXISTING SANITARY MANHOLE
- NEW STORM MANHOLE
- EXISTING STORM MANHOLE
- NEW CATCH BASIN MANHOLE
- EXISTING CATCH BASIN MANHOLE
- NEW DITCH INLET
- EXISTING DITCH INLET
- NEW CATCH BASIN
- EXISTING CATCH BASIN
- NEW HYDRANT
- EXISTING HYDRANT
- NEW VALVE
- EXISTING VALVE
- NEW SIAMESE CONNECTION
- NEW UTILITY POLE
- EXISTING UTILITY POLE
- EXISTING LIGHT STANDARD
- NEW PAD MOUNT TRANSFORMER
- SITE TEMPORARY BENCH MARK
- NEW SIGN AND POST
- EXISTING SIGN AND POST
- NEW BARRIER FREE SIGN AND POST
- NEW BOLLARD AS PER 5/C0401
- BUILDING ENTRANCE
- FINISHED GROUND ELEVATION
- FINISHED TOP OF GRATE ELEVATION
- FINISHED TOP OF CONCRETE ELEVATION
- FINISHED SWALE ELEVATION
- FINISHED DOOR SILL ELEVATION
- FINISHED BOTTOM OF CONCRETE WALL ELEVATION
- FINISHED TOP OF CONCRETE WALL ELEVATION
- EXISTING GROUND ELEVATION
- NEW LOW POINT
- NEW HIGH POINT
- NEW RETAINING WALL AS PER DETAIL 2/C0402
- NEW HEAVY DUTY ASPHALT AS PER DETAIL 3/C0401
- NEW LIGHT DUTY ASPHALT AS PER DETAIL 4/C0401
- NEW ASPHALT TOP LIFT AS PER DETAIL 5/C0401
- NEW CONCRETE SIDEWALK
- RIP-RAP c/w GEOTEXTILE AS PER O.P.S.D. 810.010/C0401.
- NEW BUILDING OUTLINE
- EXISTING BUILDING OUTLINE

F.F.E. = FINISHED FLOOR ELEVATION
 B.F.F.E. = BASEMENT FINISHED FLOOR ELEVATION
 T.O.B.S. = TOP OF CONCRETE BASE SLAB ELEVATION

- NOTES:**
- CONTRACTOR TO VERIFY LOCATION OF ALL BURIED SERVICES PRIOR TO START OF CONSTRUCTION.
 - TOPOGRAPHIC INFORMATION PROVIDED BY HOPKINS CHITTY LAND SURVEYORS INC.
 - ELEVATIONS ARE GEODETIC AND ARE DERIVED FROM SIMULTANEOUS GPS OBSERVATIONS AND ARE REFERRED TO CGVD28 DATUM.
 - ALL DISTURBED AREAS TO BE REINSTATED WITH 100mm TOPSOIL AND SOD UNLESS OTHERWISE NOTED.

DATE	No.	REVISION
2025/01/23	2	ISSUED FOR TENDER
2024/08/23	1	ISSUED FOR ECA APPROVAL

THE DRAWINGS, ARRANGEMENTS, ANNOTATIONS AND GRAPHICAL PRESENTATIONS ON THIS DOCUMENT ARE THE PROPERTY OF EVB ENGINEERING WHO RETAINS OWNERSHIP AND AUTHORSHIP OF THIS DOCUMENT IN ITS ENTIRETY. THIS DOCUMENT IS AN INSTRUMENT OF SERVICE AND IS THE INTELLECTUAL AND PHYSICAL PROPERTY OF EVB ENGINEERING. AUTHORIZED USE OF THIS DRAWING IS GRANTED SOLELY FOR THE PURPOSE OF THIS SPECIFIC PROJECT AND LOCATION, AND NOT FOR CONSTRUCTION OR USE FOR ANY OTHER PROJECT. COPYRIGHT © 2024 EVB ENGINEERING.

PROFESSIONAL ENGINEER
 2025/01/23
 J.D. BAKER
 100151897
 PROVINCE OF ONTARIO

PROJECT NORTH

T.N. = TRUE NORTH

CONSULTANT:

EVB ENGINEERING

800 SECOND STREET WEST
 CORNWALL, ONTARIO CANADA, K6J 1H6
 TEL: 613-935-3775 | FAX: 613-935-6450
 WEBSITE: EVBengineering.com

SUB-CONSULTANT:

CLIENT:

PROJECT:

NEW NAPANEE WPCP

TITLE:

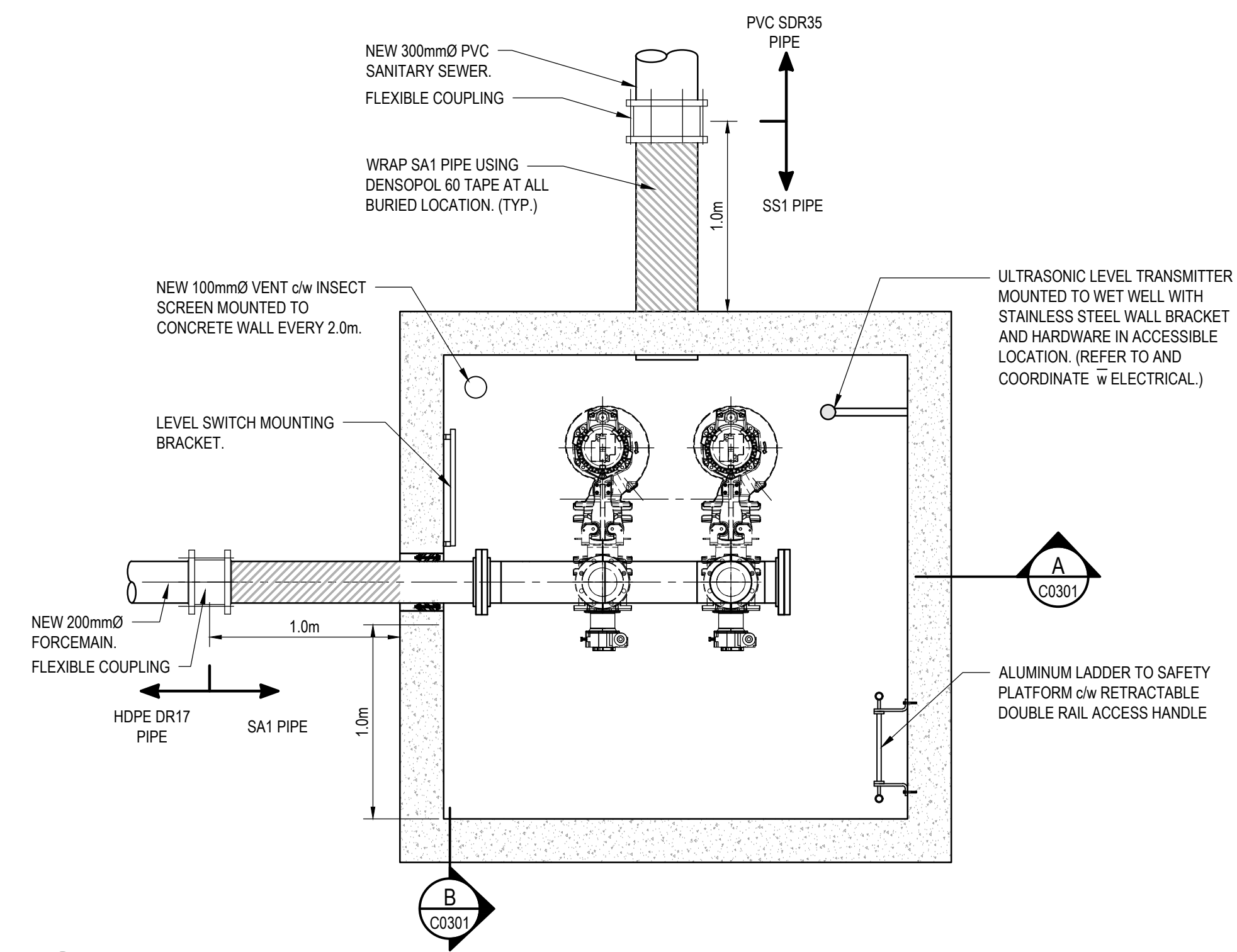
PARTIAL SITE GRADING

TEMPORARY BENCH MARKS

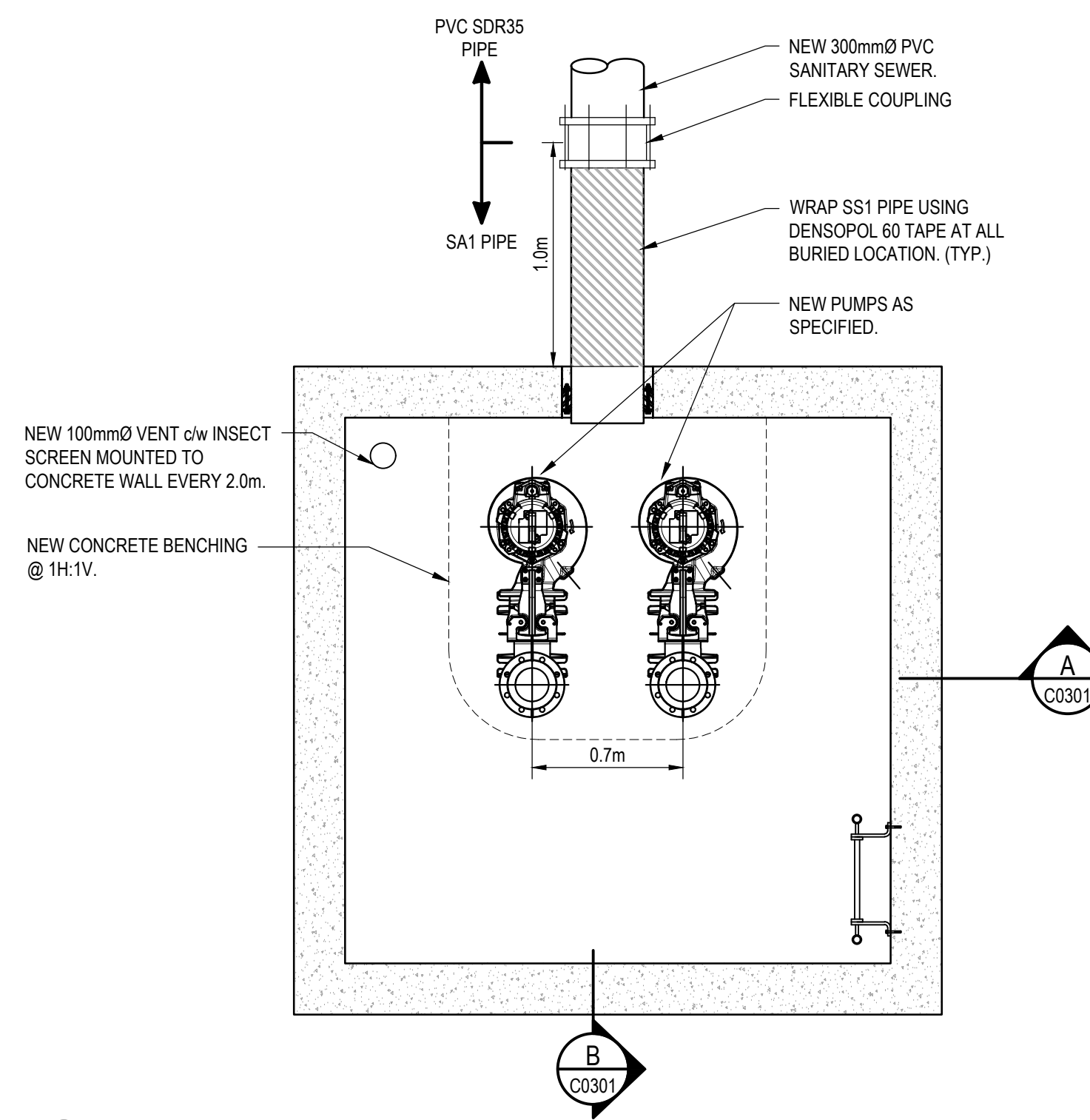
T.B.M. No.	ELEV. (m)	T.B.M. DESCRIPTION
T.B.M.#1	81.46	TOP OF IRON BAR
T.B.M.#2	76.64	TOP OF IRON BAR

SCALE:	JOB NO:
1:200	22001
DESIGNED BY:	DATE:
J.B.	2025/01/23
DRAWN BY:	DRAWING NO.
K.B.W.	C0210
CHECKED BY:	
J.B.	

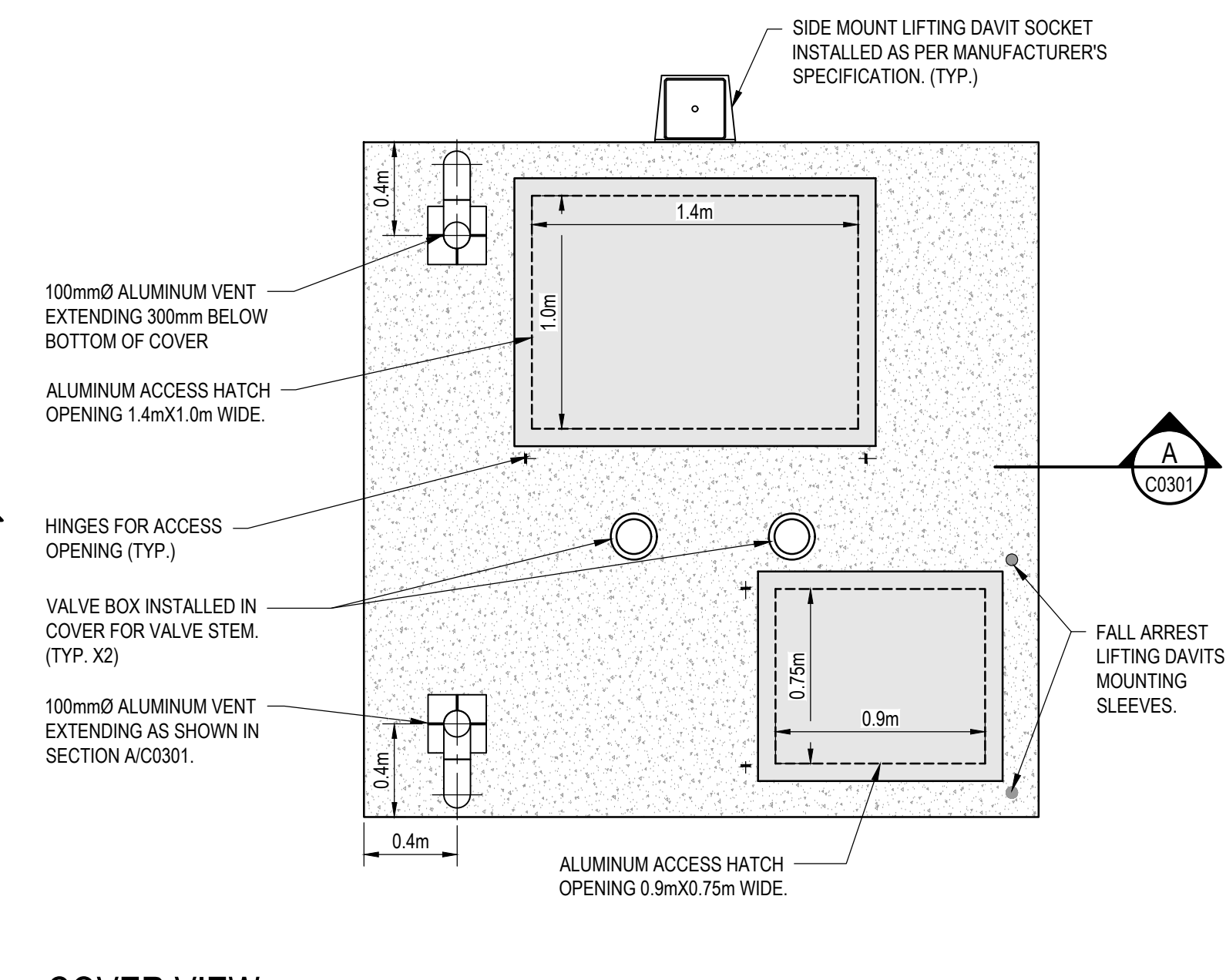
M:\2025\20251 - Napanee WPCP Upgrade\DWG - WPCP\25-01-01-01.dwg, Jan 24, 2025, 15:16:01 (K.B.W.)



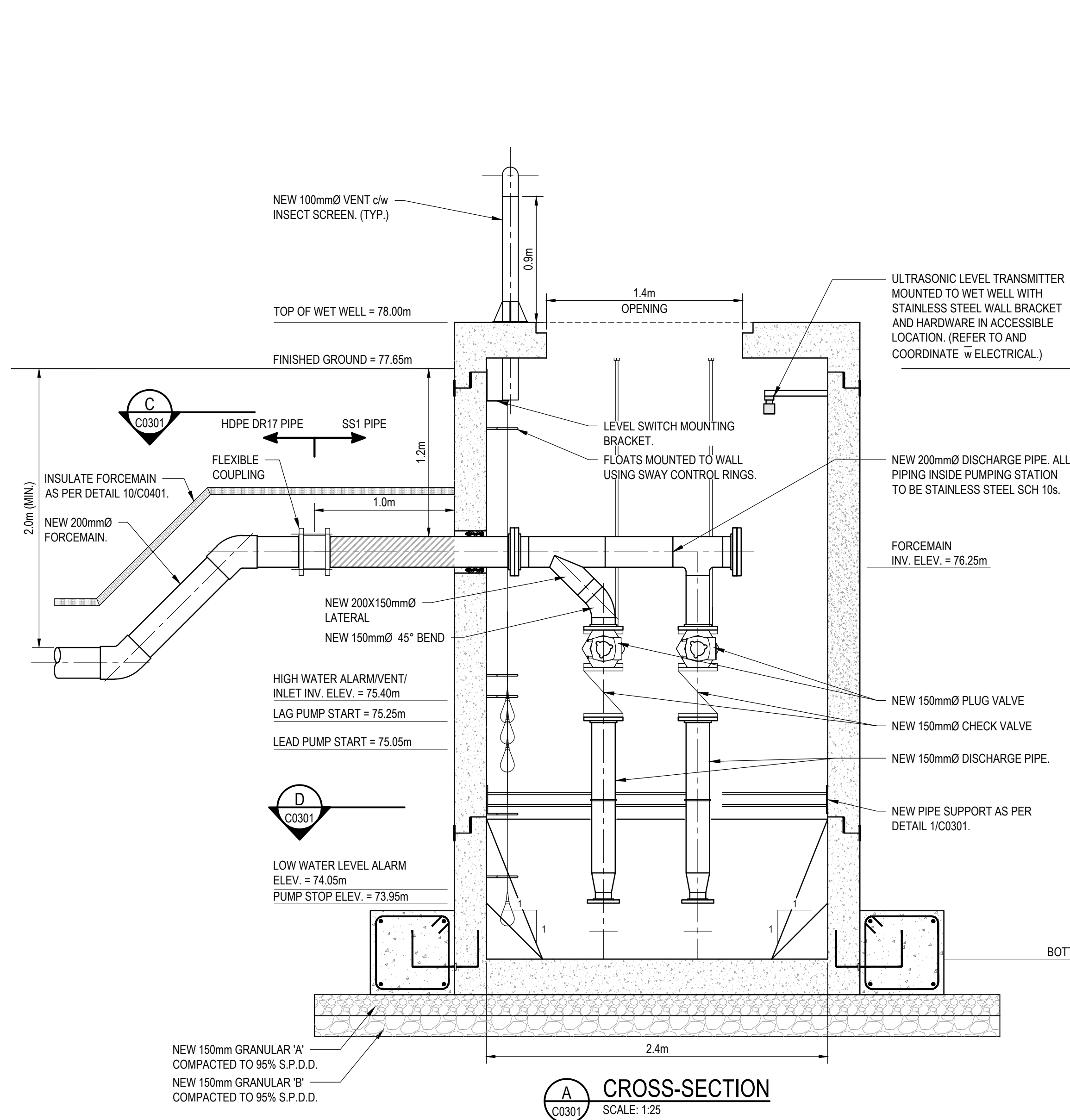
C SECTION VIEW
SCALE: 1:25



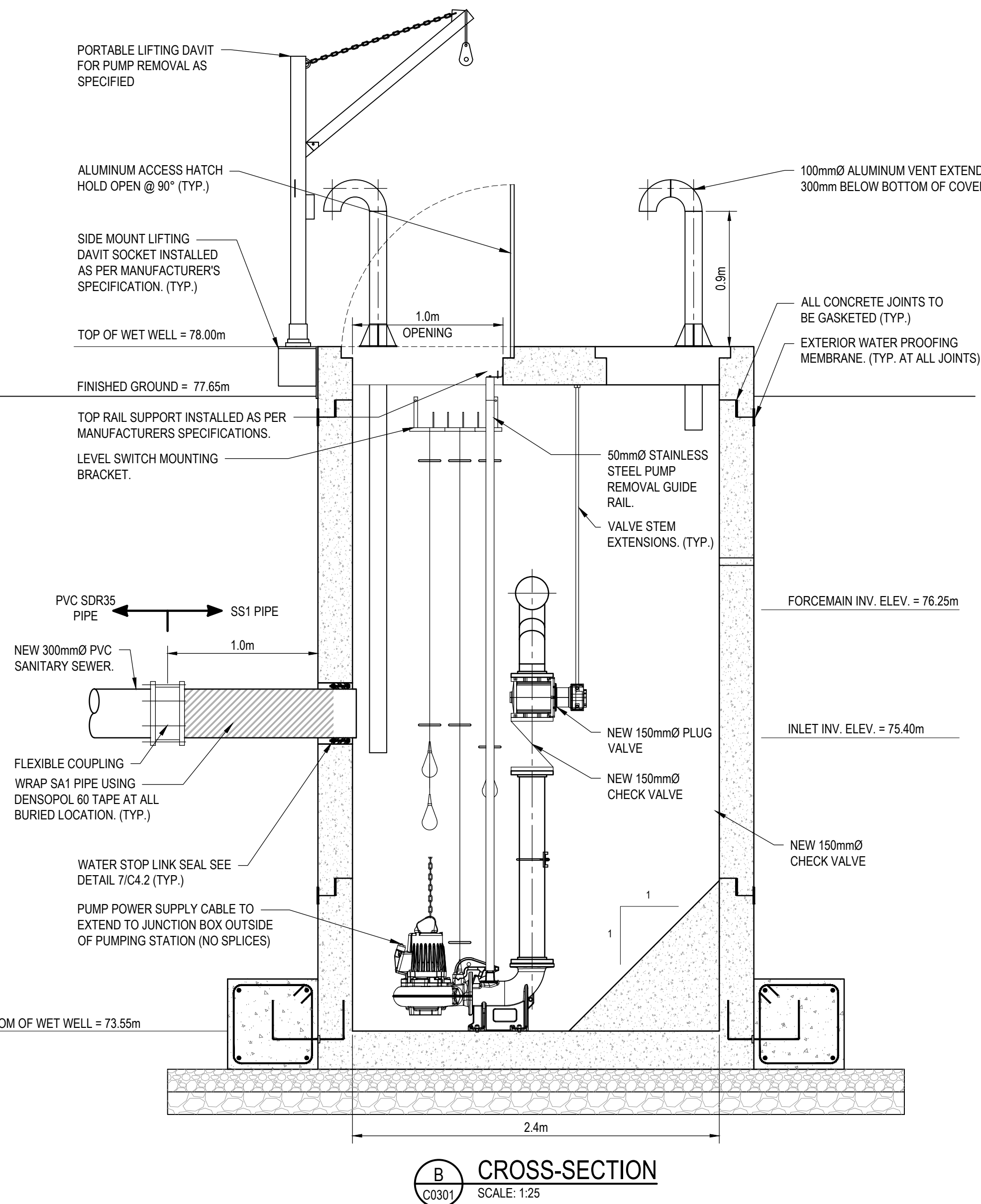
D SECTION VIEW
SCALE: 1:25



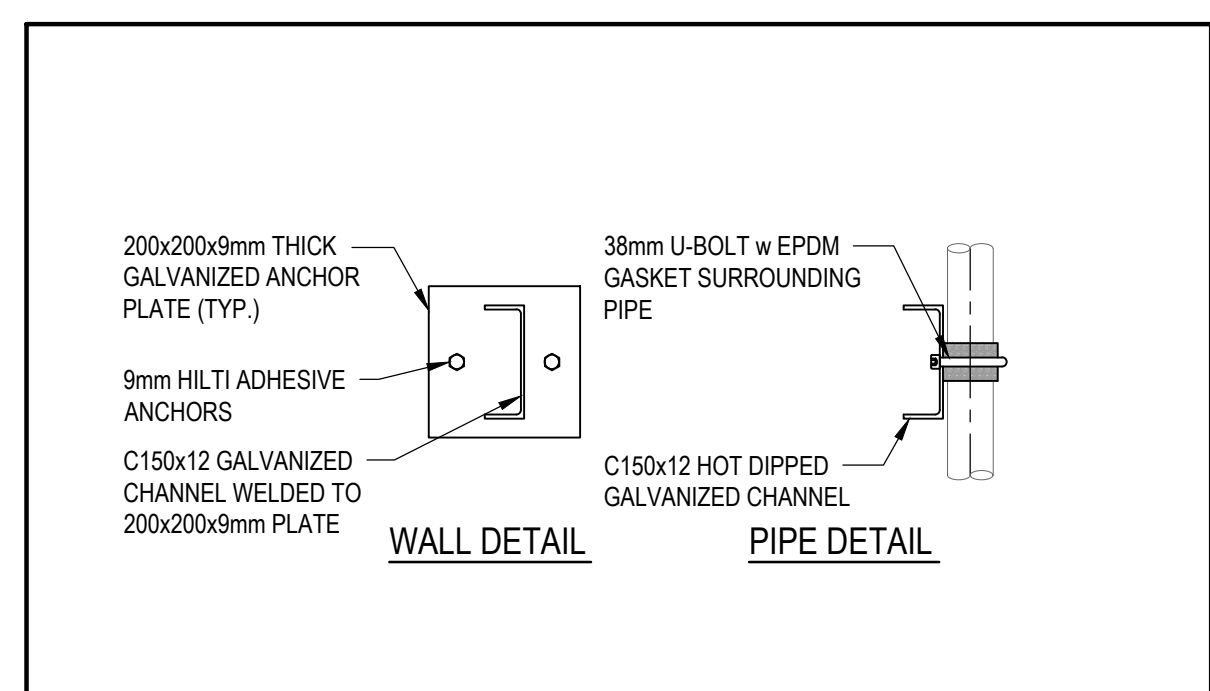
COVER VIEW
SCALE: 1:25



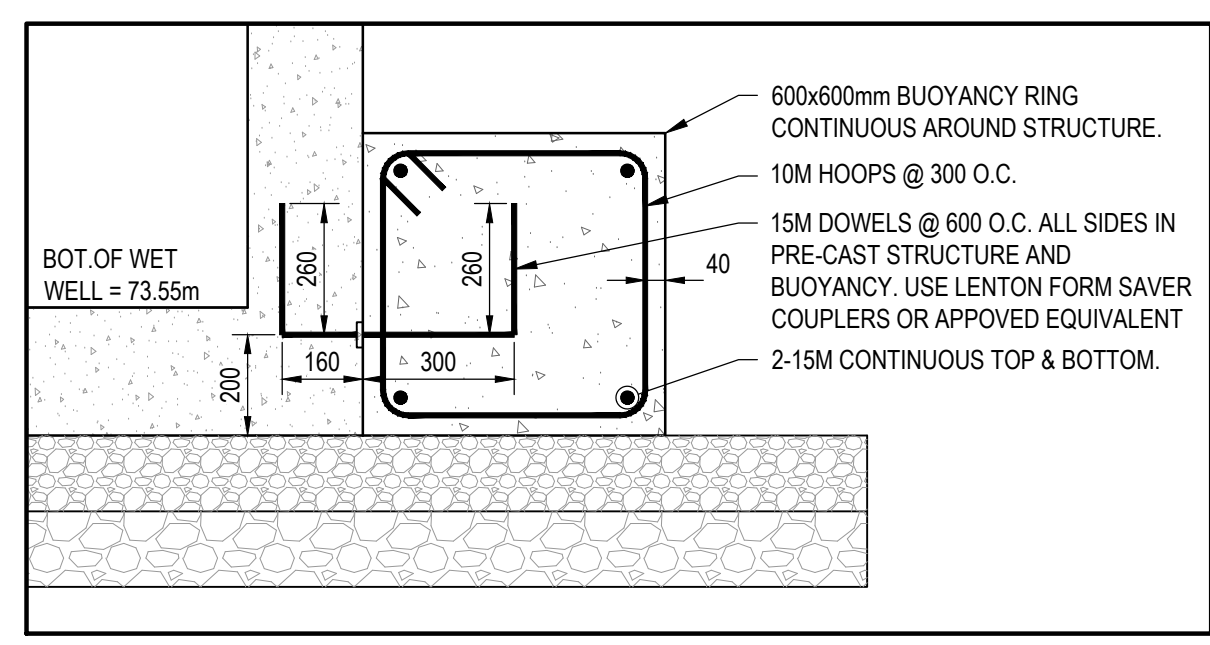
A CROSS-SECTION
SCALE: 1:25



B CROSS-SECTION
SCALE: 1:25



1 TYPICAL PIPE SUPPORT DETAIL
SCALE: N.T.S.



BUOYANCY RING DETAIL
SCALE: 1:15

DATE	No.	REVISION
2025/01/23	2	ISSUED FOR TENDER
2024/08/23	1	ISSUED FOR ECA APPROVAL

THE DRAWINGS, ARRANGEMENTS, ANNOTATIONS AND GRAPHICAL PRESENTATIONS ON THIS DOCUMENT ARE THE PROPERTY OF EVB ENGINEERING WHO RETAINS OWNERSHIP AND AUTHORSHIP OF THIS DOCUMENT IN ITS ENTIRETY. THIS DOCUMENT IS AN INSTRUMENT OF SERVICE AND IS THE INTELLECTUAL AND PHYSICAL PROPERTY OF EVB ENGINEERING. AUTHORIZED USE OF THIS DRAWING IS GRANTED SOLELY FOR THE PURPOSE OF THIS SPECIFIC PROJECT AND LOCATION, AND NOT FOR CONSTRUCTION OR USE FOR ANY OTHER PROJECT. COPYRIGHT © 2024 EVB ENGINEERING.



CONSULTANT:
EVB ENGINEERING
800 SECOND STREET WEST
CORNWALL, ONTARIO CANADA, K6J 1H6
TEL: 613-935-3775 | FAX: 613-935-6450
WEBSITE: EVBengineering.com

SUB-CONSULTANT:
CIMA+

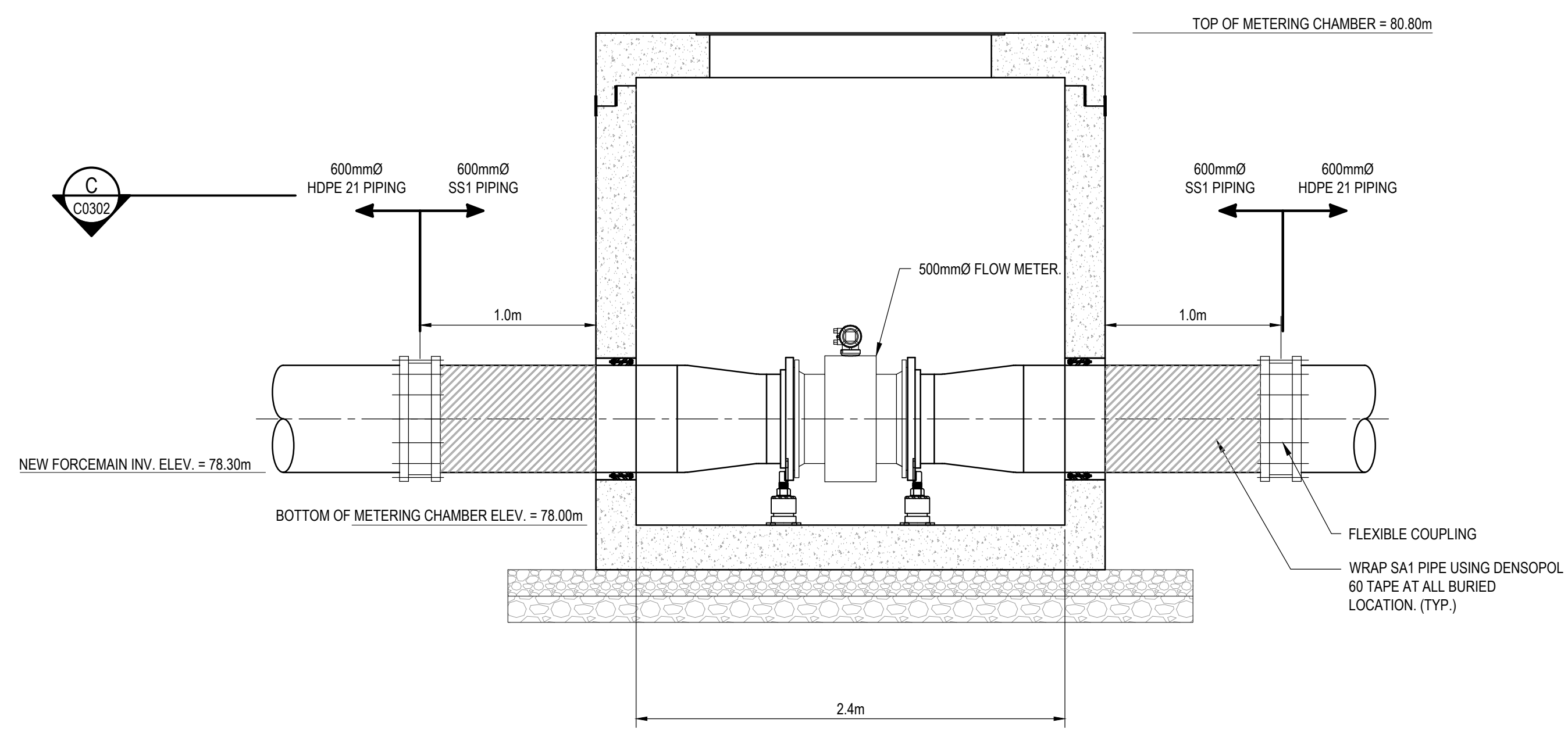
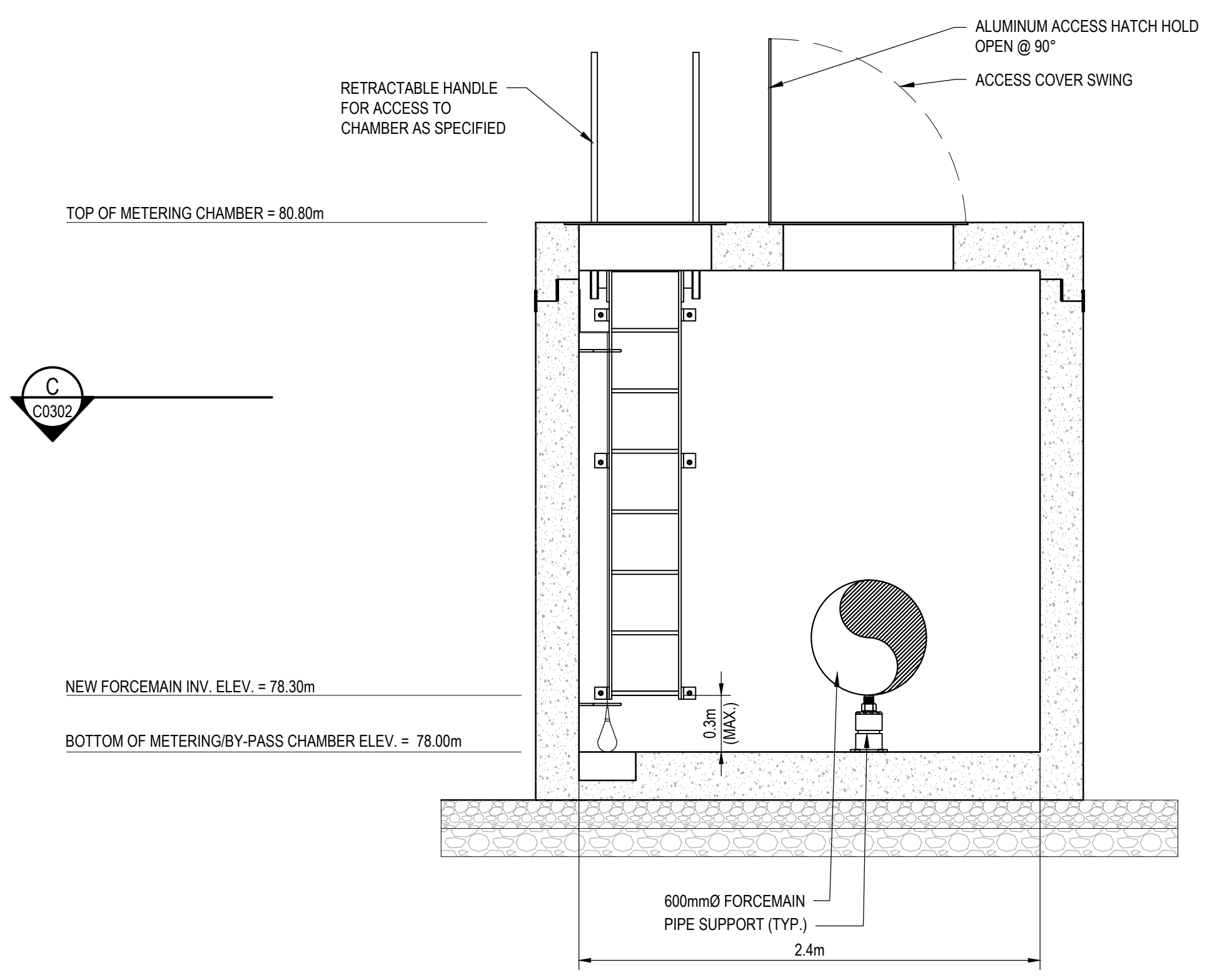
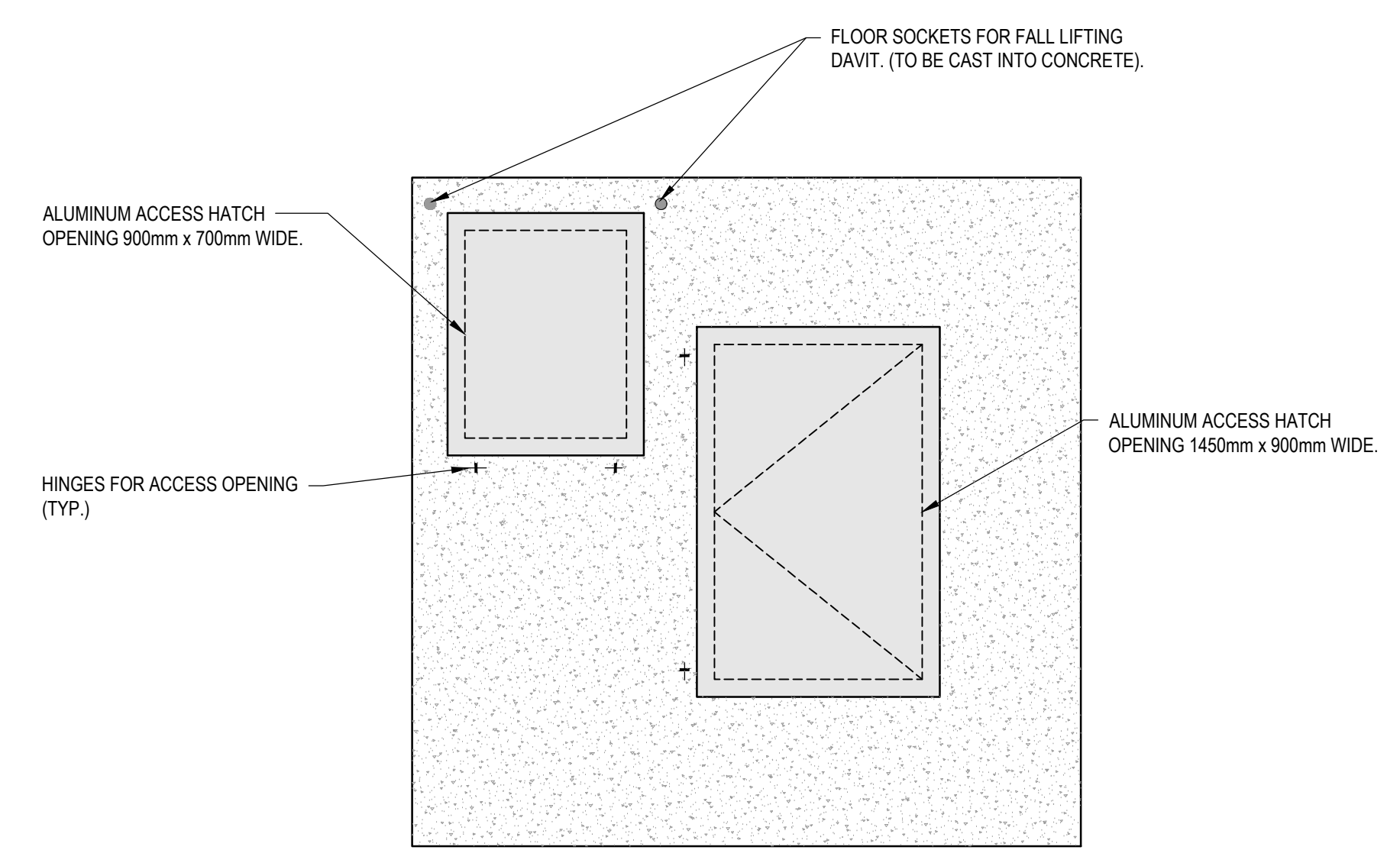
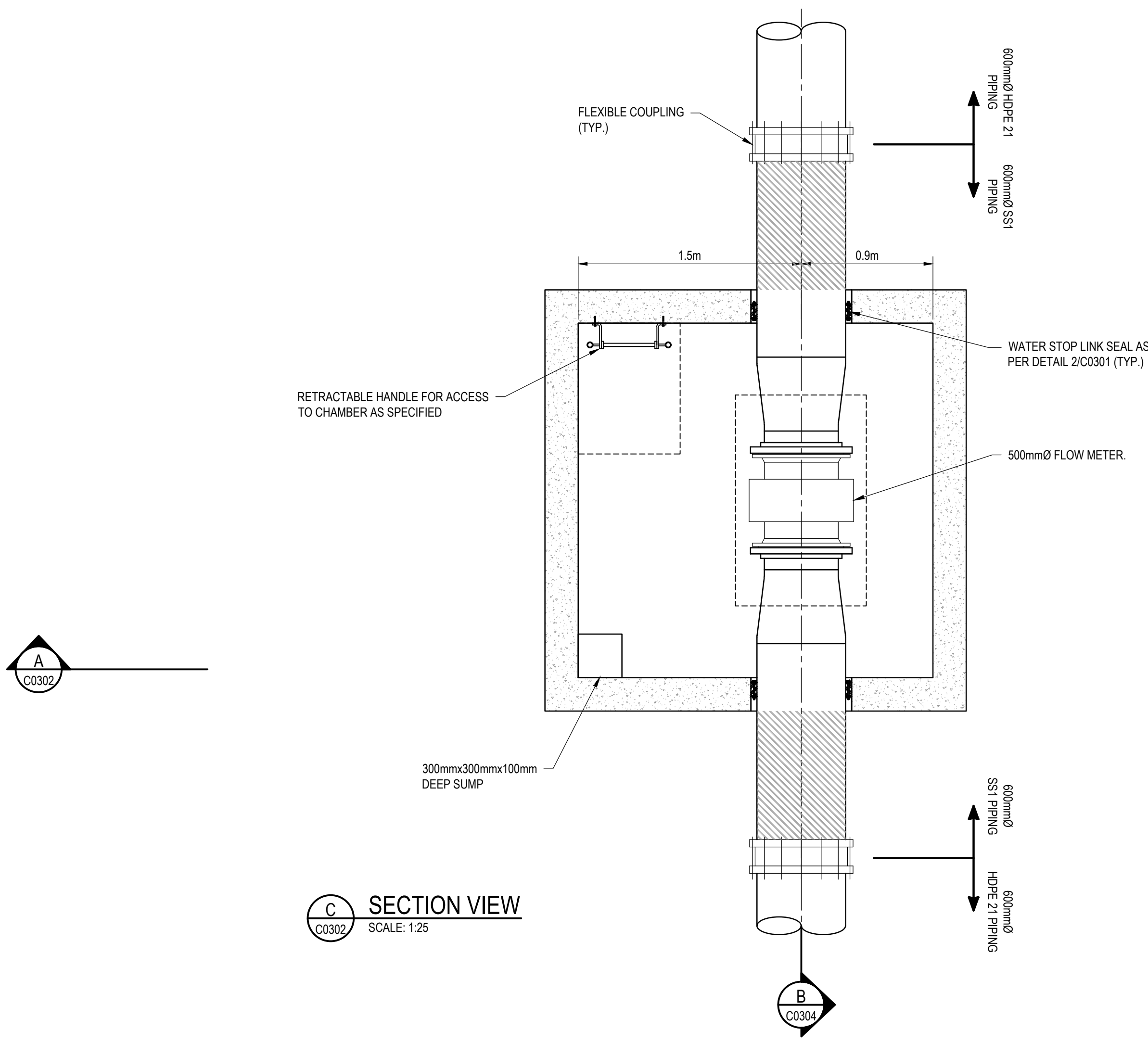
CLIENT:
Greater Napanee
SERVING FOR MANY REASONS

PROJECT:
NEW NAPANEE WPCP

TITLE:
SANITARY PUMPING STATION

SCALE	JOB NO.
AS SHOWN	22001
DESIGNED BY: J.B./K.B.W.	DATE: 2025/01/23
DRAWN BY: K.B.W.	DRAWING NO.
CHECKED BY: J.B.	C0301

M:\2025\20251 - Napanee WPCP Uppgrade\1-Dwg - WPCP\2-Cross-Section\Production\20251-C0301-0202.dwg Jan 24, 2025 - 1:55pm BT (Ken White)



NOTES:
1. CHAMBER & HATCH DESIGNED TO TRUCK LL = CL-825-ONT WHEEL LOADS

DATE	No.	REVISION
2025/01/23	2	ISSUED FOR TENDER
2024/08/23	1	ISSUED FOR ECA APPROVAL

THE DRAWINGS, ARRANGEMENTS, ANNOTATIONS AND GRAPHICAL PRESENTATIONS ON THIS DOCUMENT ARE THE PROPERTY OF EVB ENGINEERING WHO RETAINS OWNERSHIP AND AUTHORSHIP OF THIS DOCUMENT IN ITS ENTIRETY. THIS DOCUMENT IS AN INSTRUMENT OF SERVICE AND IS THE INTELLECTUAL AND PHYSICAL PROPERTY OF EVB ENGINEERING. AUTHORIZED USE OF THIS DRAWING IS GRANTED SOLELY FOR THE PURPOSE OF THIS SPECIFIC PROJECT AND LOCATION, AND NOT FOR CONSTRUCTION OR USE FOR ANY OTHER PROJECT. COPYRIGHT © 2024 EVB ENGINEERING.



CONSULTANT:

800 SECOND STREET WEST
CORNWALL, ONTARIO CANADA, K6J 1H6
TEL: 613-935-3775 | FAX: 613-935-6450
WEBSITE: EVBengineering.com

SUB-CONSULTANT:

CLIENT:

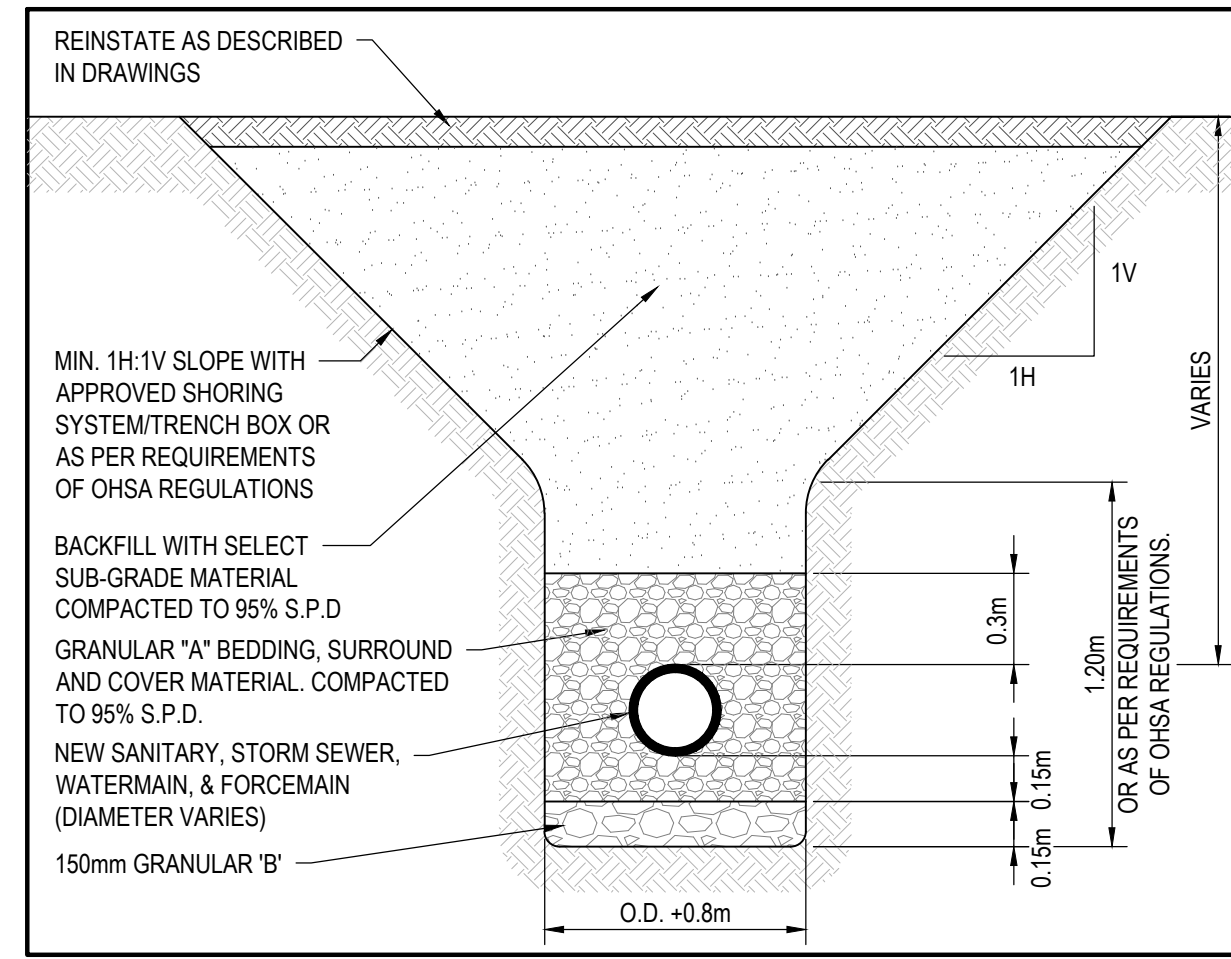
Greater Napanee
SERVICES FOR MANY REASONS

PROJECT:
NEW NAPANEE WPCP

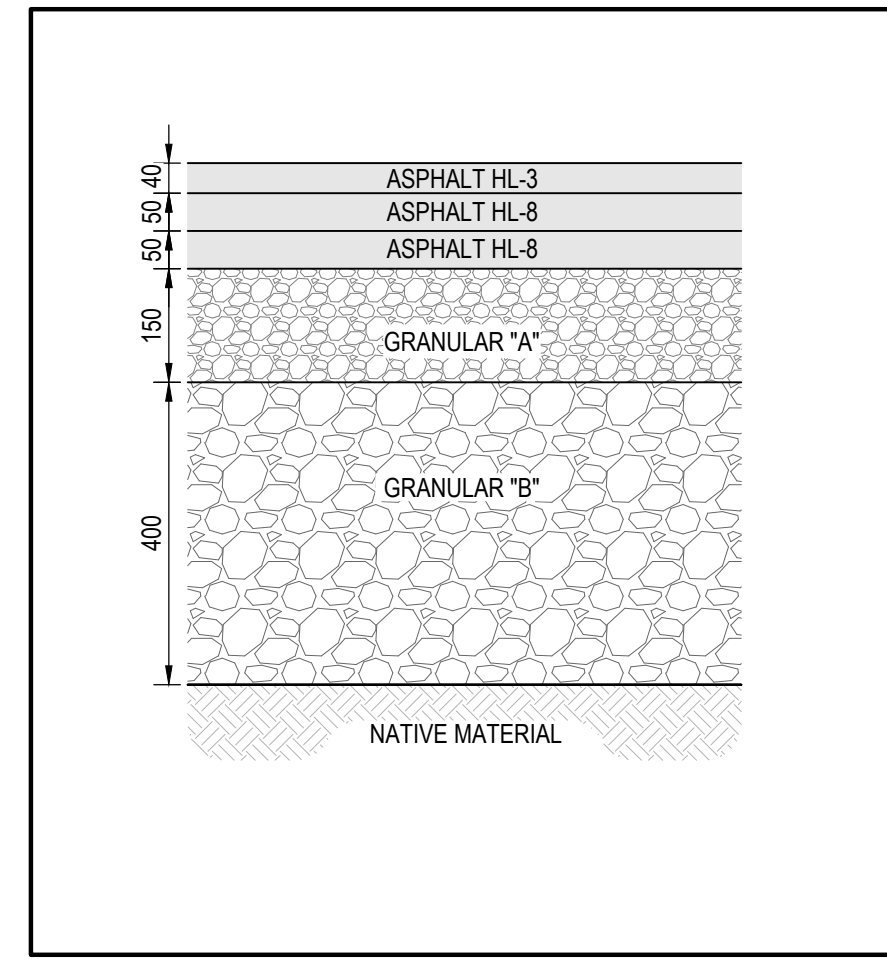
TITLE:
NEW METERING CHAMBER

SCALE: AS SHOWN	JOB NO: 22001
DESIGNED BY: J.B./K.B.W.	DATE: 2025/01/23
DRAWN BY: K.B.W.	DRAWING NO.:
CHECKED BY: J.B.	C0302

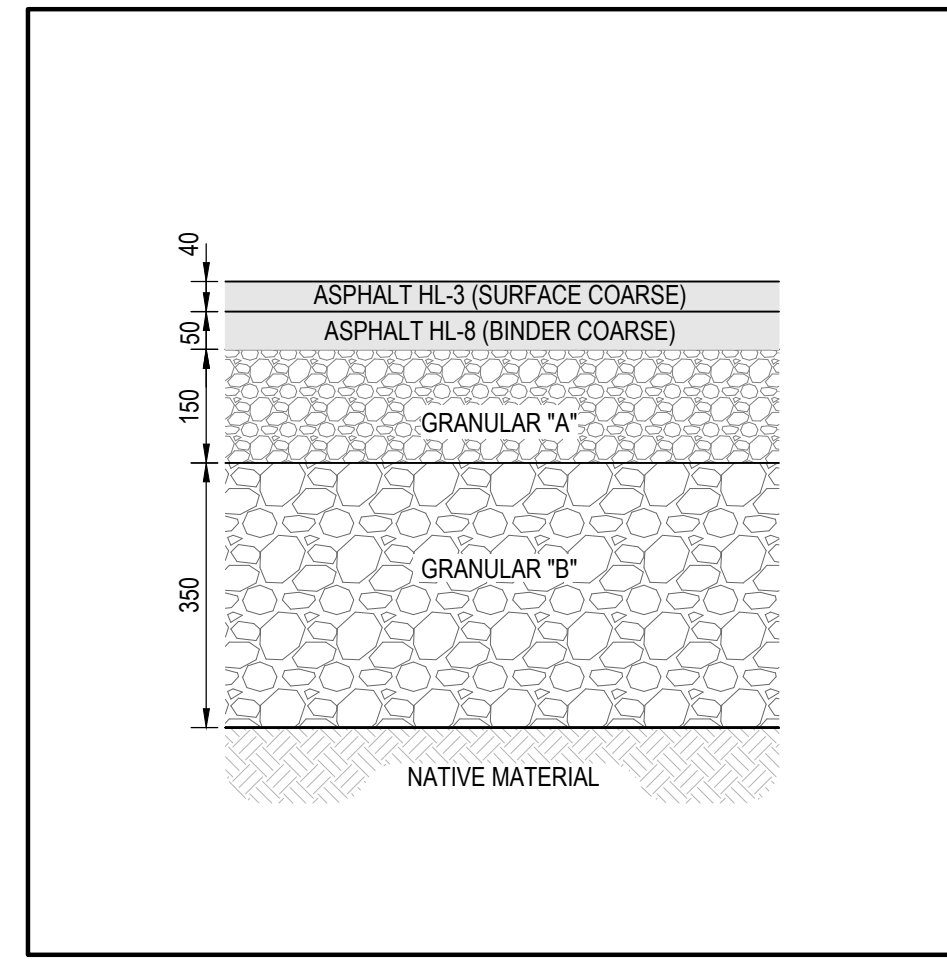
M:\2025\20251 - Napanee WPCP Uppgrade\1.0 Draw - WPCP\6.2 Civil\0 - Production\2501 - C0302.dwg, Jan 24, 2025, 1:55pm BT (Ken White)



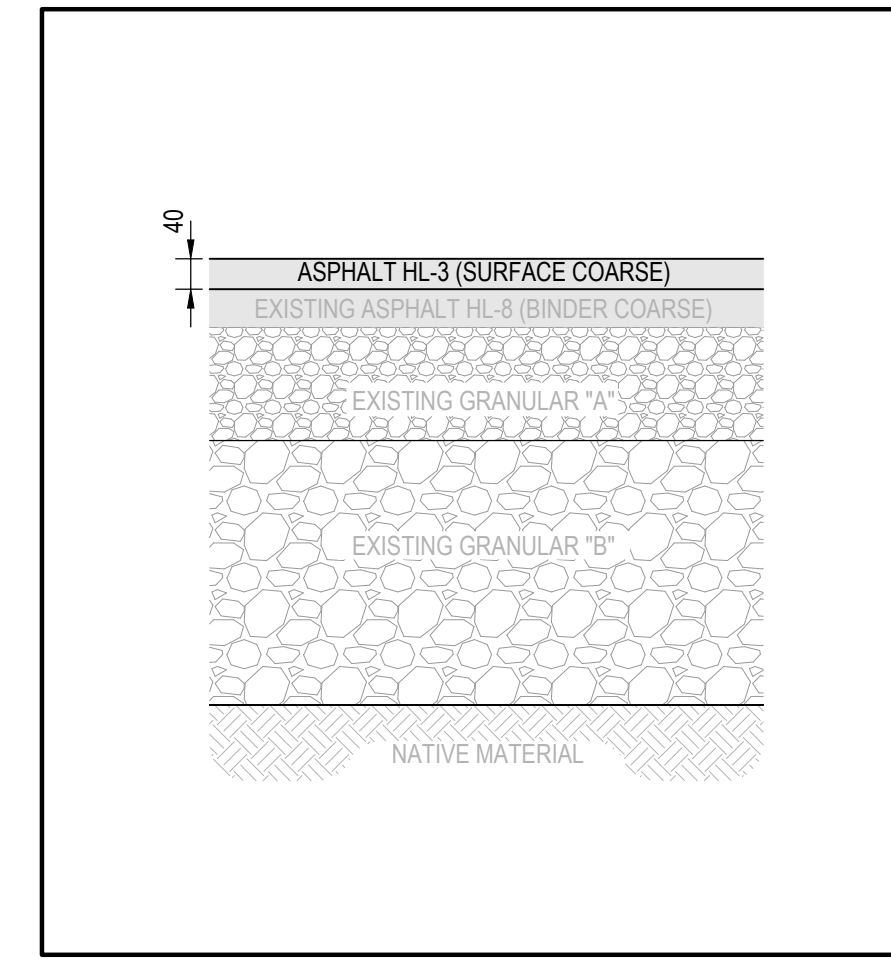
1 TYPICAL TRENCH DETAIL
SCALE: N.T.S.



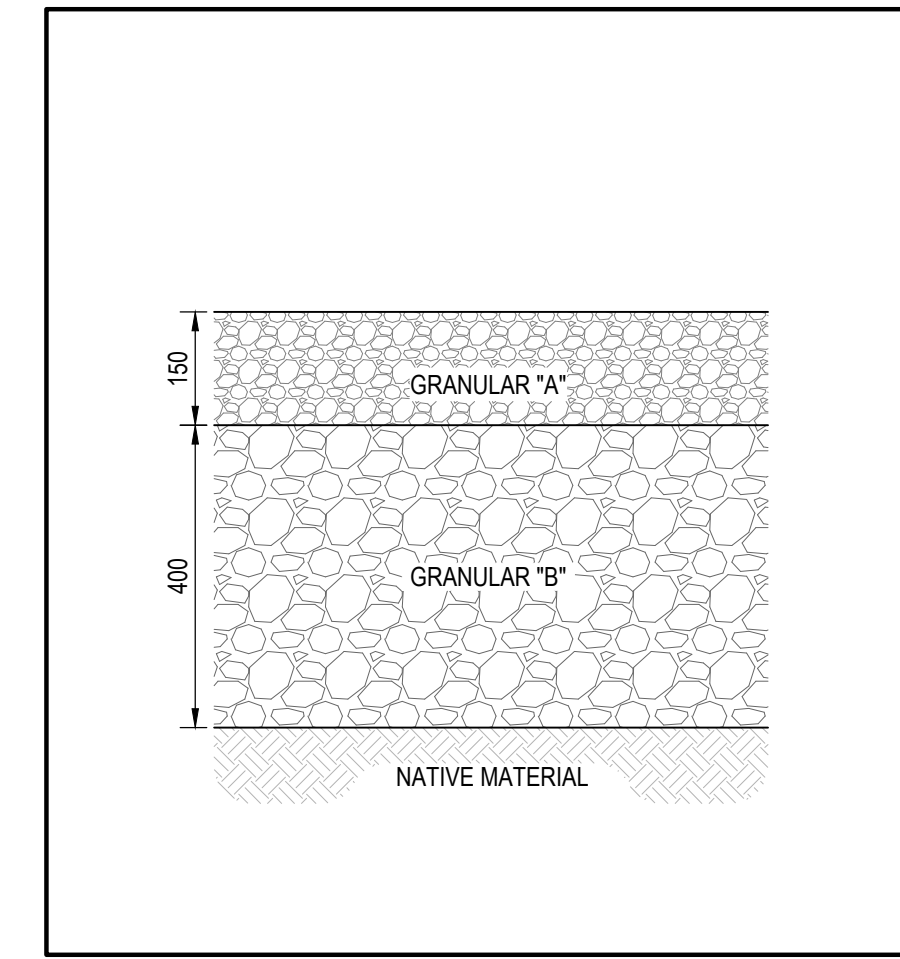
2 NEW HEAVY DUTY ASPHALT
SCALE: N.T.S.



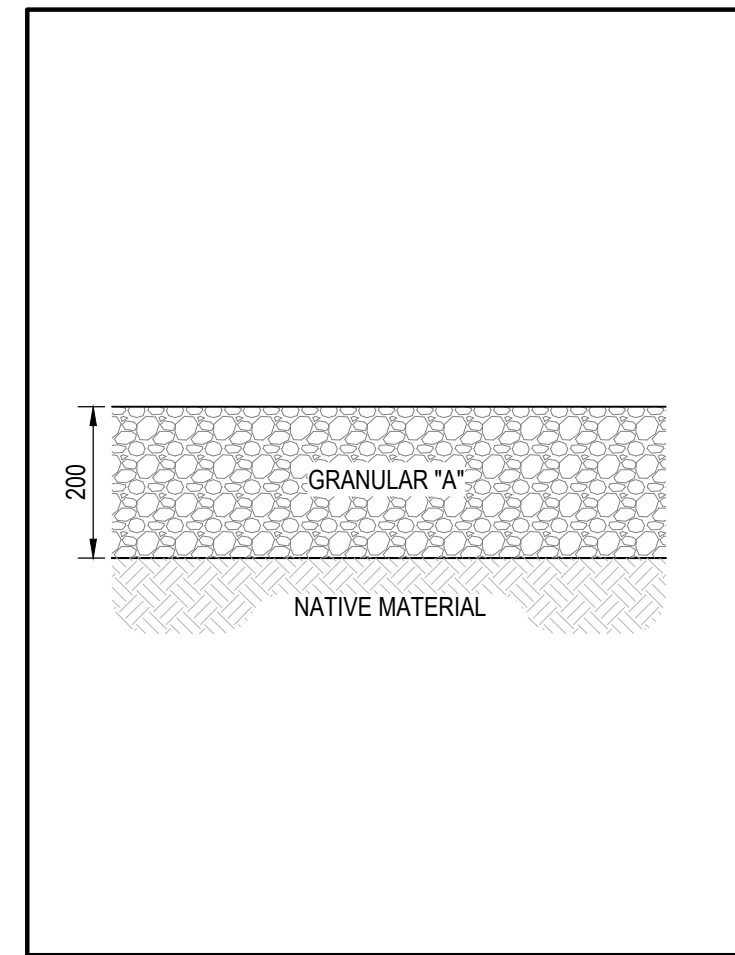
3 NEW LIGHT DUTY ASPHALT
SCALE: N.T.S.



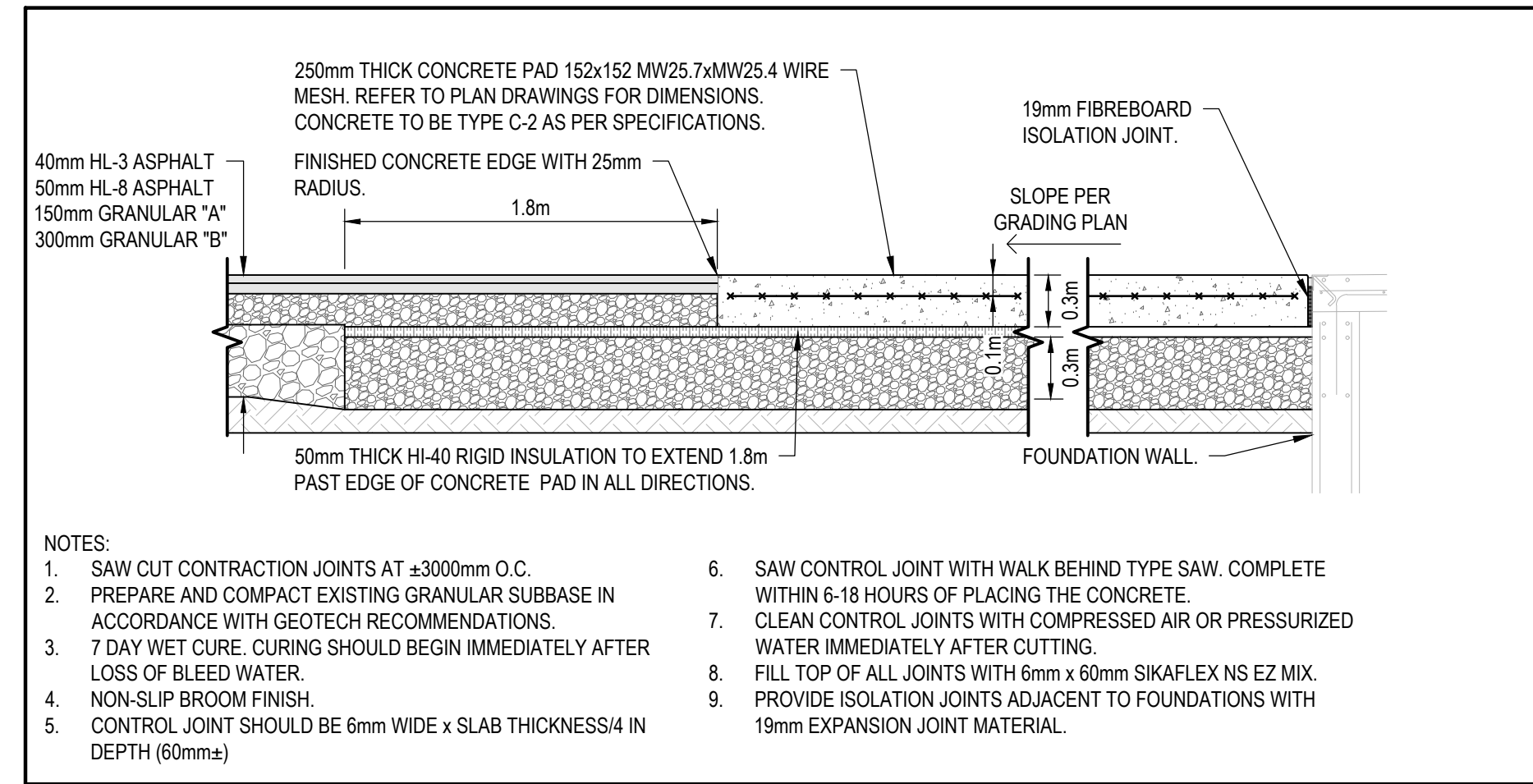
4 MAINTENANCE BUILDING TOP LIFT
SCALE: N.T.S.



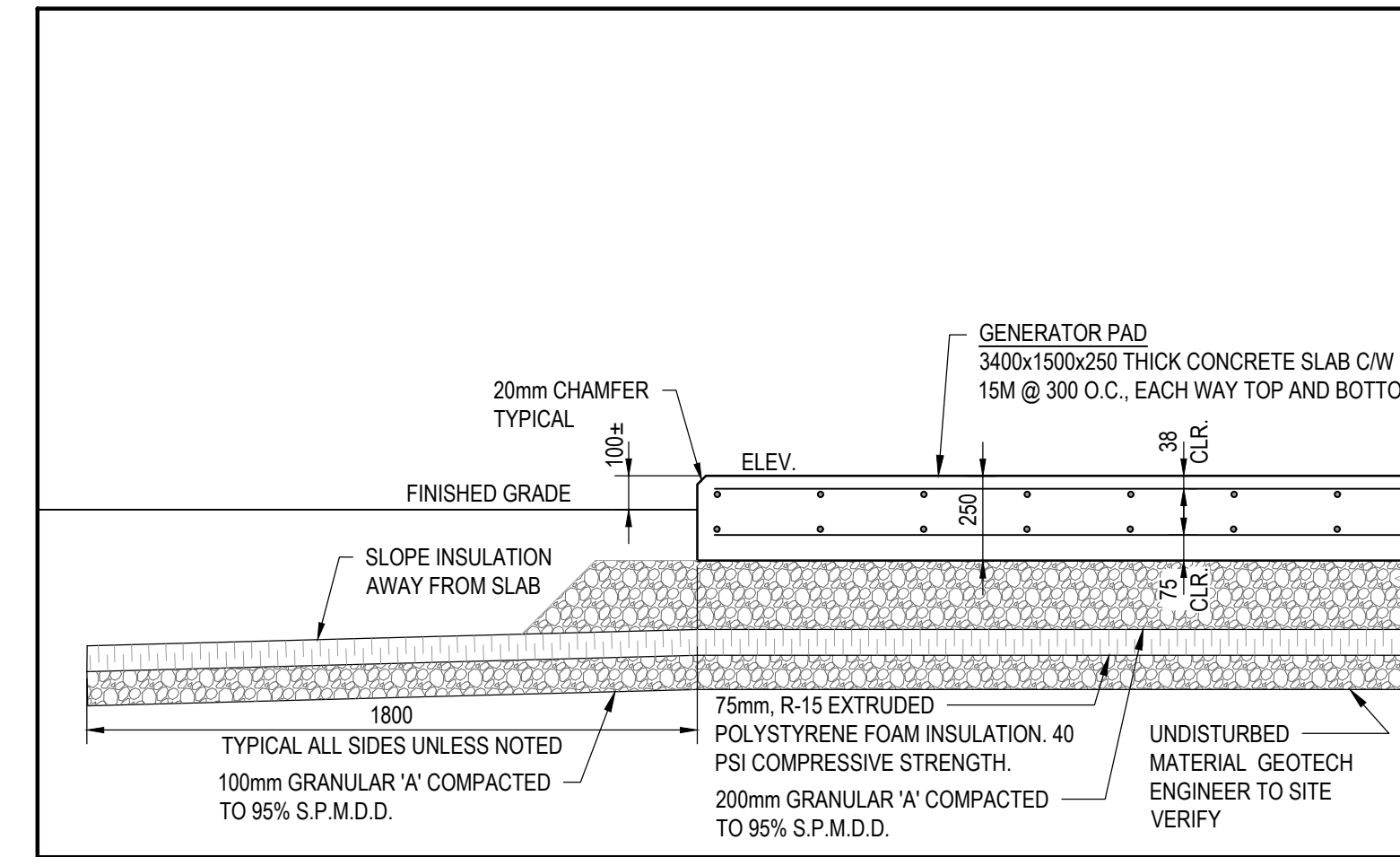
5 GRANULAR ROAD REINSTATEMENT
SCALE: N.T.S.



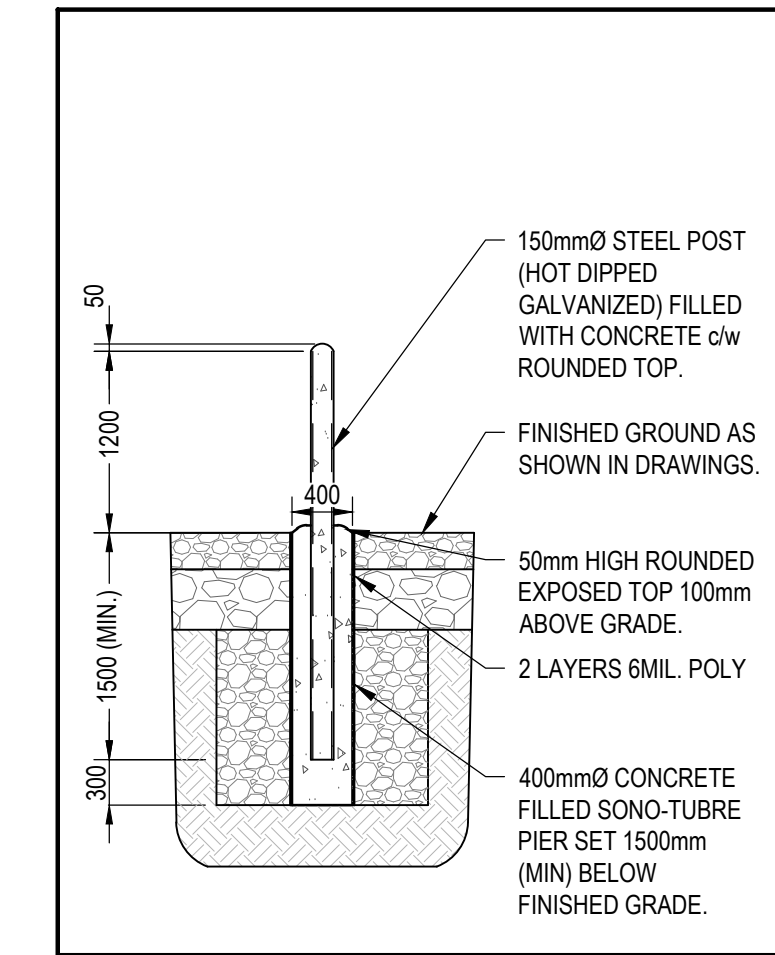
6 NEW GRANULAR DRIVEWAY
SCALE: N.T.S.



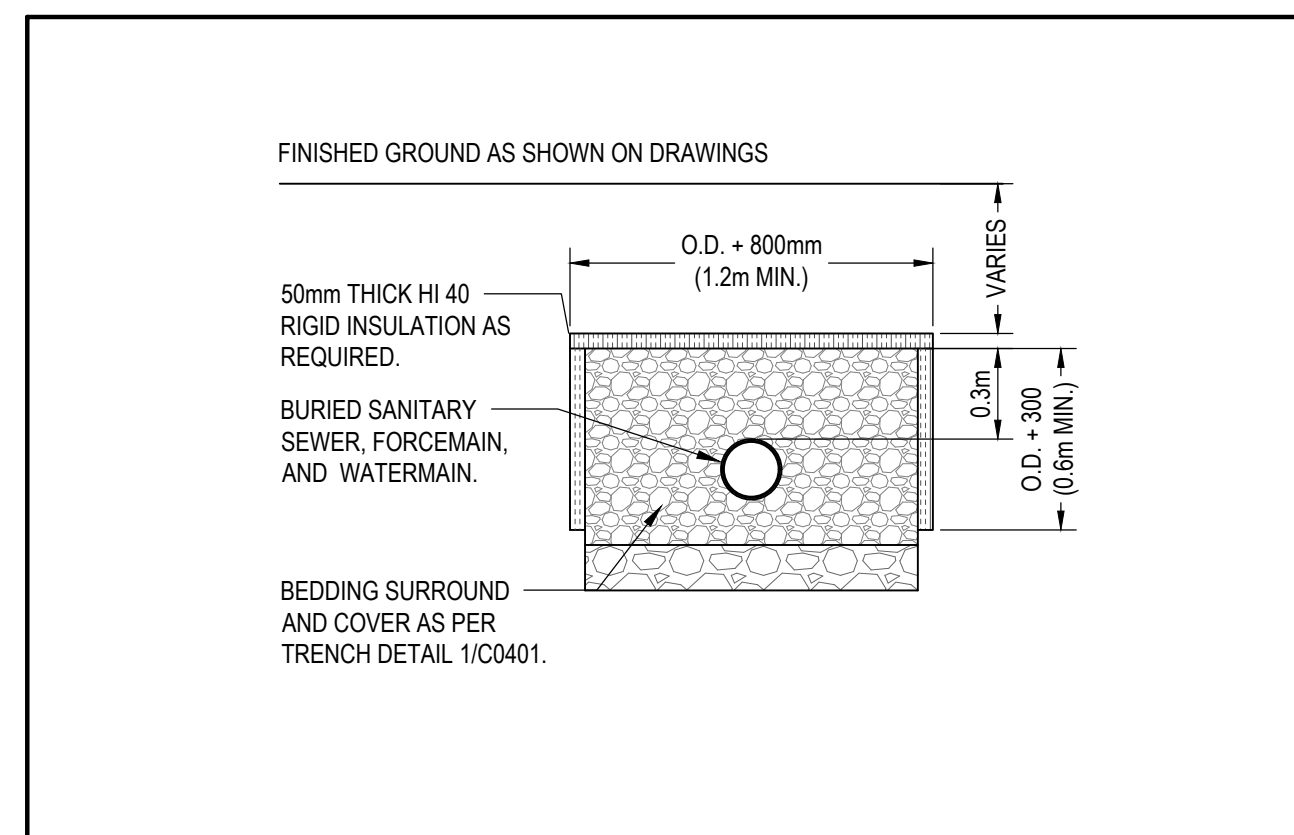
7 TYPICAL CONCRETE PAD DETAIL AT OVERHEAD DOOR
SCALE: N.T.S.



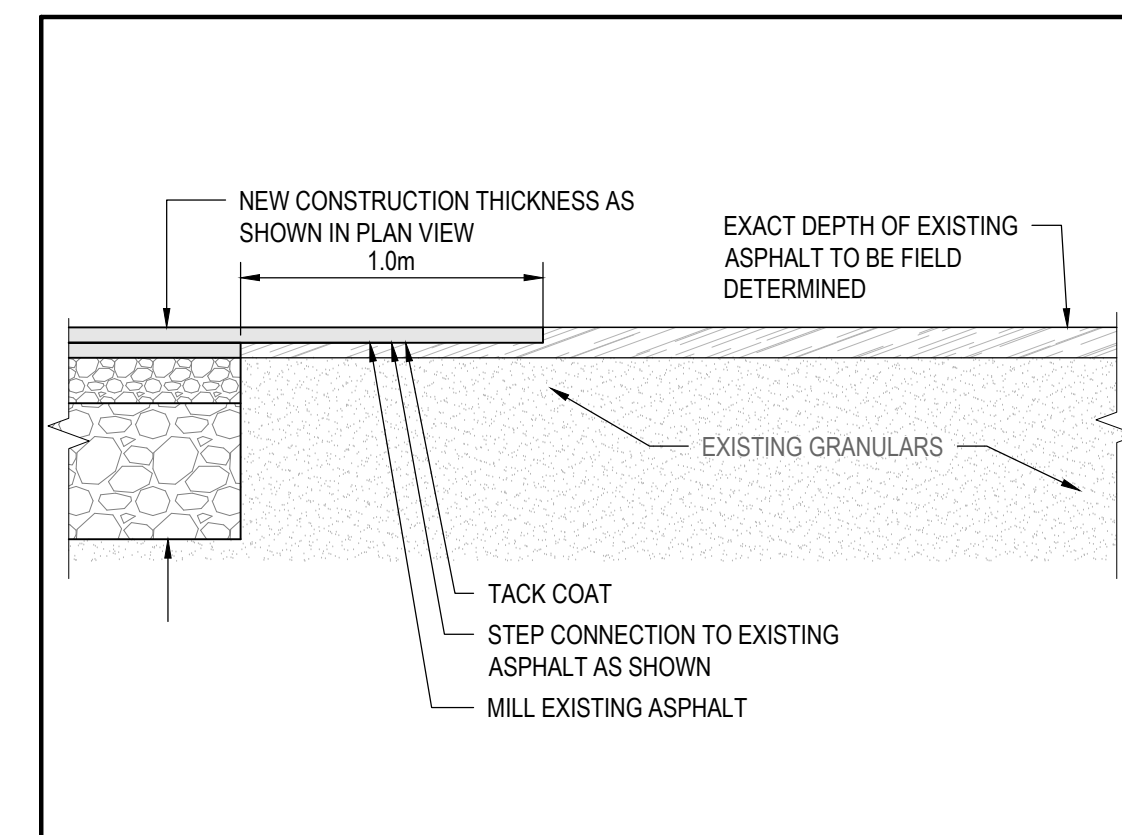
8 TYPICAL GENERATOR CONCRETE PAD DETAIL
SCALE: N.T.S.



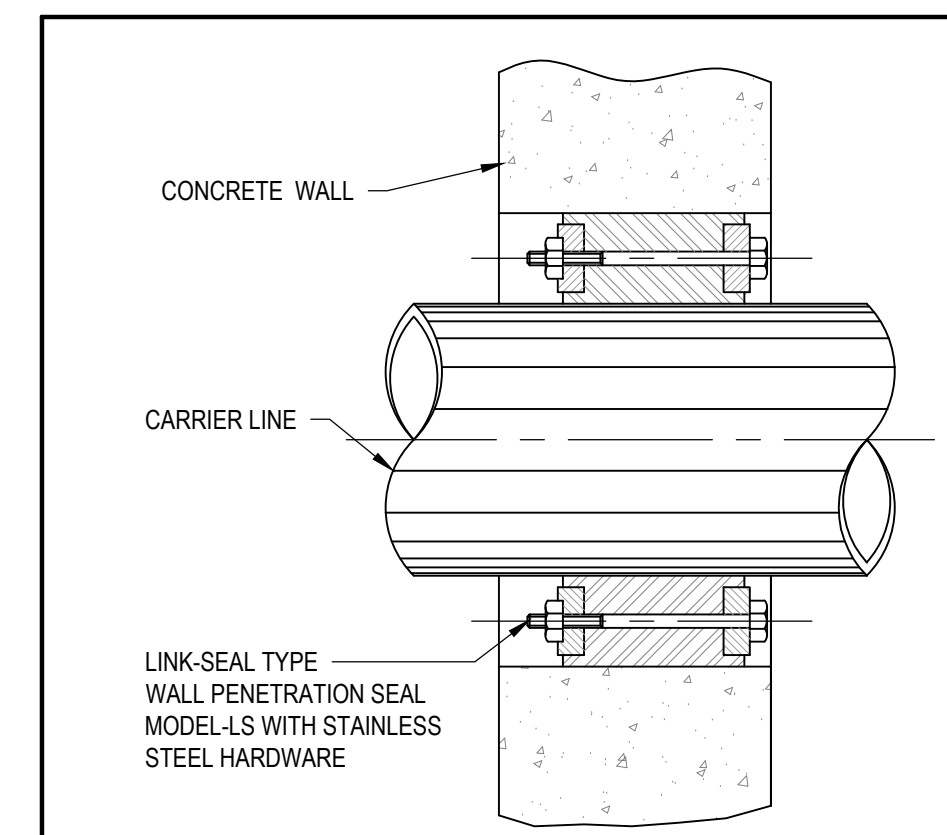
9 TYPICAL BOLLARD DETAIL
SCALE: N.T.S.



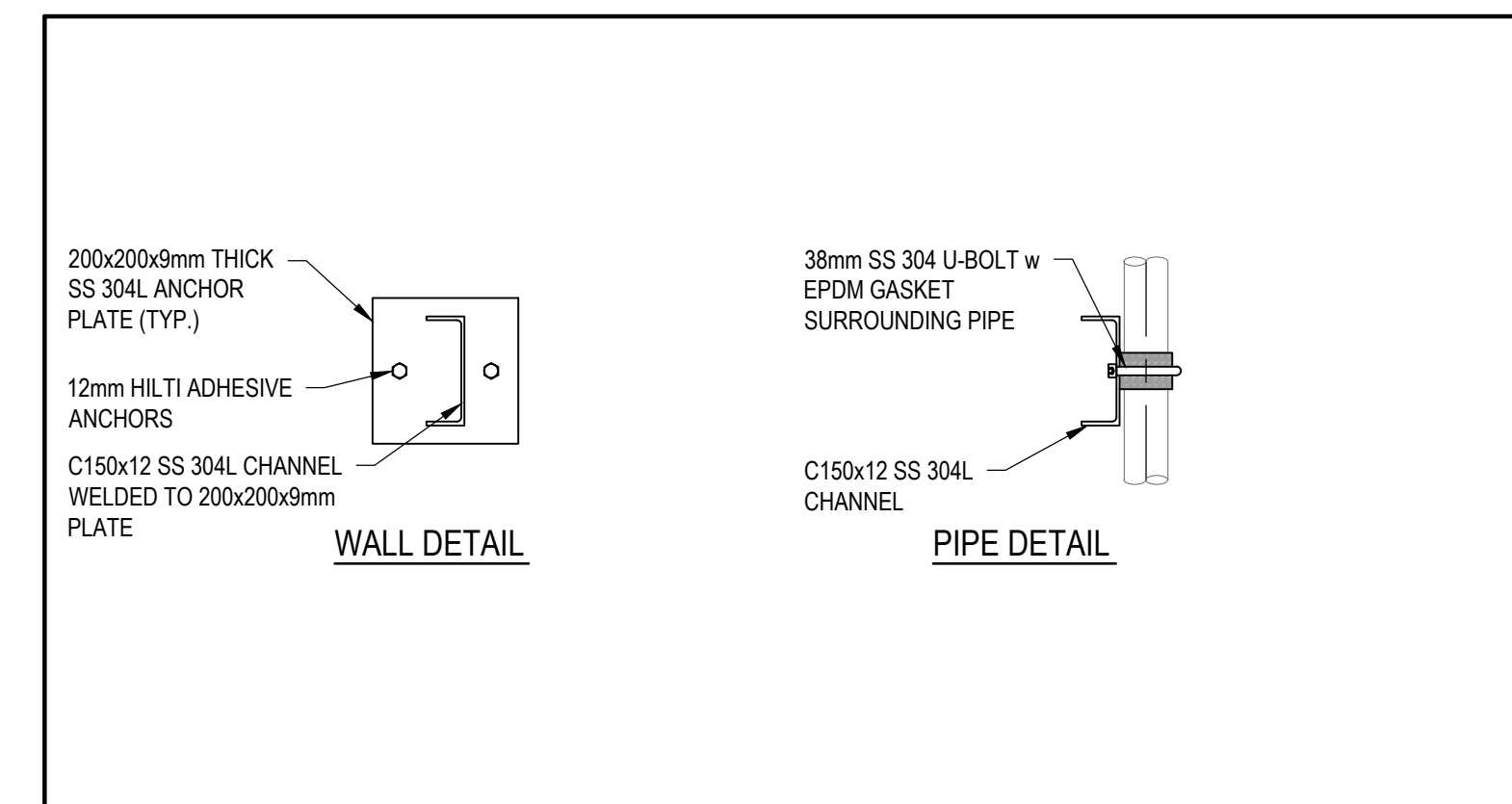
10 TYPICAL FROST PROTECTION
SCALE: N.T.S.



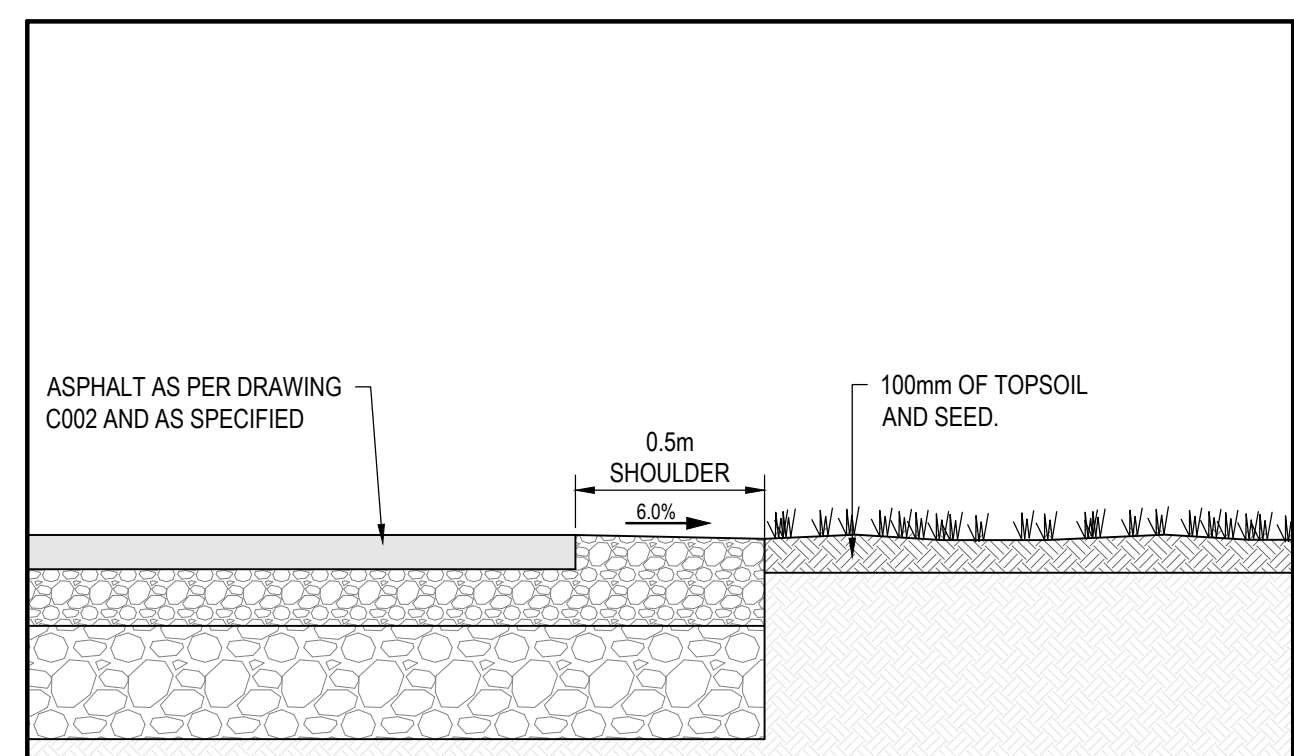
11 TYPICAL STEP CONNECTION DETAIL
SCALE: N.T.S.



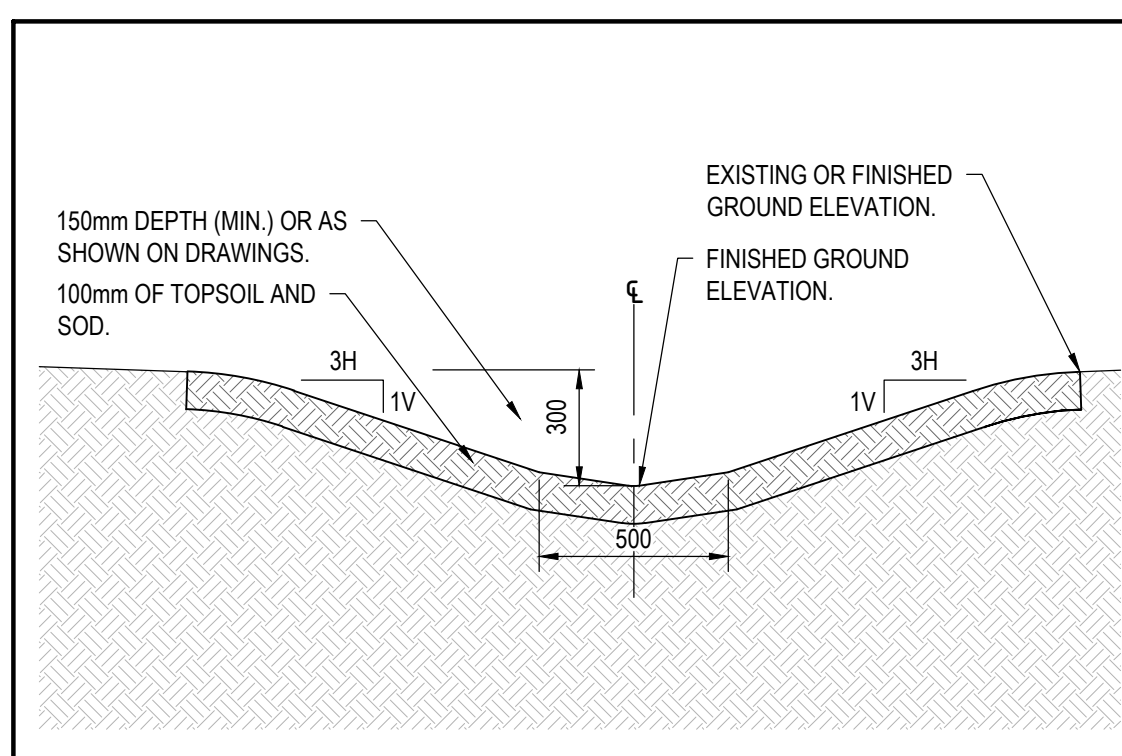
12 TYPICAL PENETRATION SEAL DETAIL
SCALE: N.T.S.



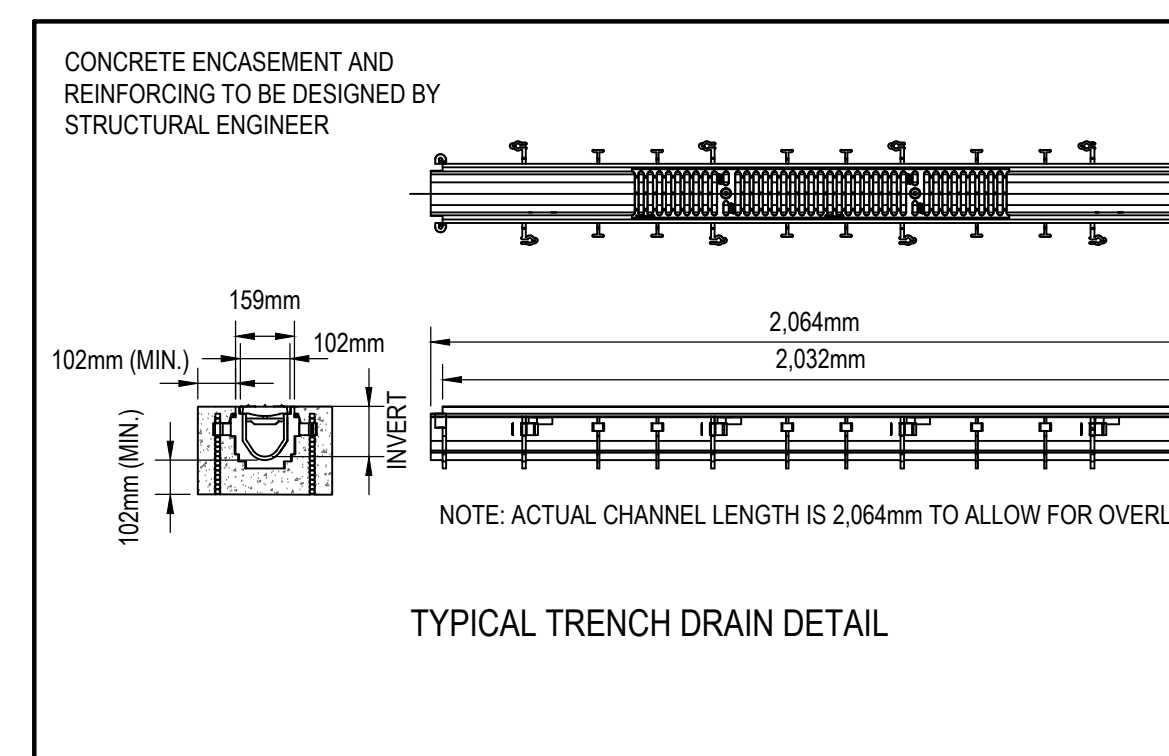
13 TYPICAL PIPE SUPPORT DETAIL
SCALE: N.T.S.



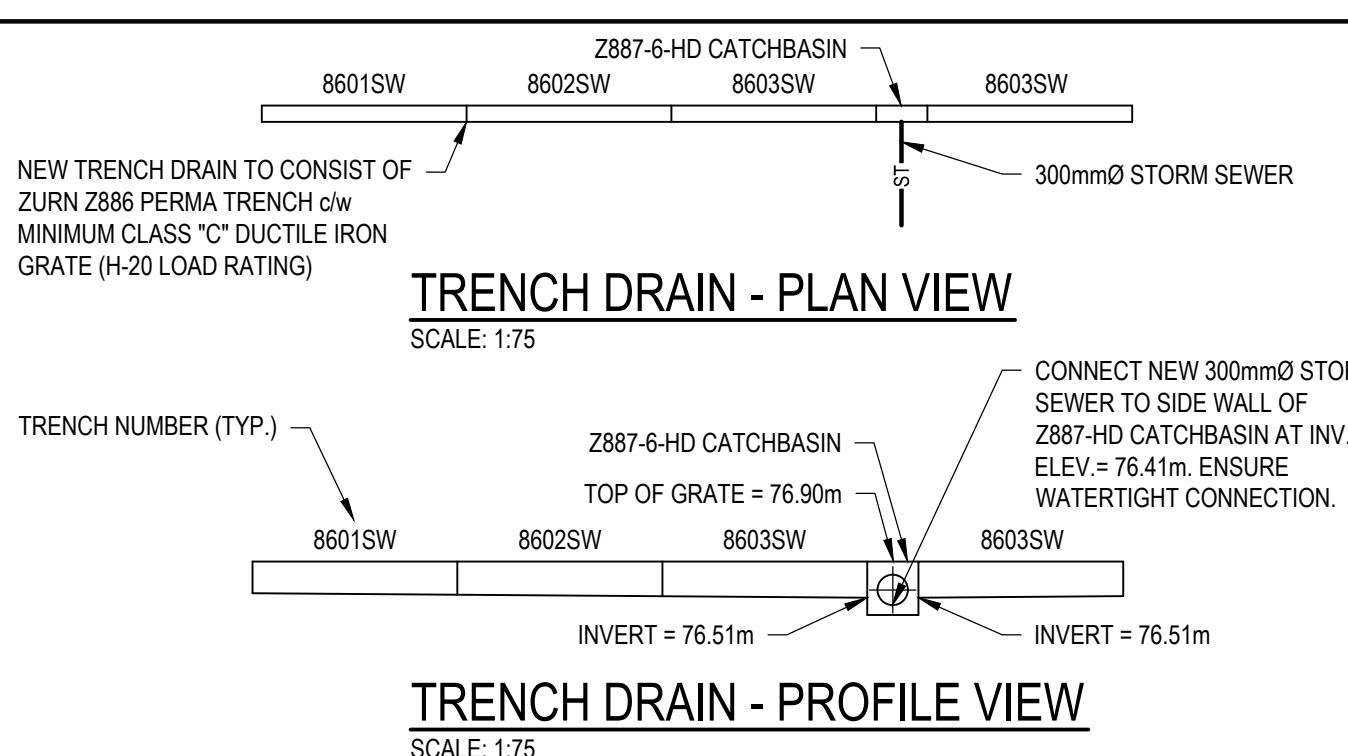
14 TYPICAL ASPHALT EDGE DETAIL (WITHOUT CURB)
SCALE: N.T.S.



15 TYPICAL SWALE DETAIL
SCALE: N.T.S.



16 TYPICAL TRENCH DRAIN DETAIL
SCALE: N.T.S.



TRENCH DRAIN - PROFILE VIEW
SCALE: 1:75

DATE	No.	REVISION
2025/01/23	2	ISSUED FOR TENDER
2024/08/23	1	ISSUED FOR ECA APPROVAL

THE DRAWINGS, ARRANGEMENTS, ANNOTATIONS AND GRAPHICAL PRESENTATIONS ON THIS DOCUMENT ARE THE PROPERTY OF EVB ENGINEERING WHO RETAINS OWNERSHIP AND AUTHORSHIP OF THIS DOCUMENT IN ITS ENTIRETY. THIS DOCUMENT IS AN INSTRUMENT OF SERVICE AND IS THE INTELLECTUAL AND PHYSICAL PROPERTY OF EVB ENGINEERING. AUTHORIZED USE OF THIS DRAWING IS GRANTED SOLELY FOR THE PURPOSE OF THIS SPECIFIC PROJECT AND LOCATION, AND NOT FOR CONSTRUCTION OR USE FOR ANY OTHER PROJECT. COPYRIGHT © 2024 EVB ENGINEERING.



CONSULTANT:
EVB ENGINEERING
800 SECOND STREET WEST
CORNWALL, ONTARIO CANADA, K6J 1H6
TEL: 613-935-3775 | FAX: 613-935-6450
WEBSITE: EVBengineering.com

SUB-CONSULTANT:
CIMA+

CLIENT:
Greater Napanee
GREAT FOR MANY REASONS

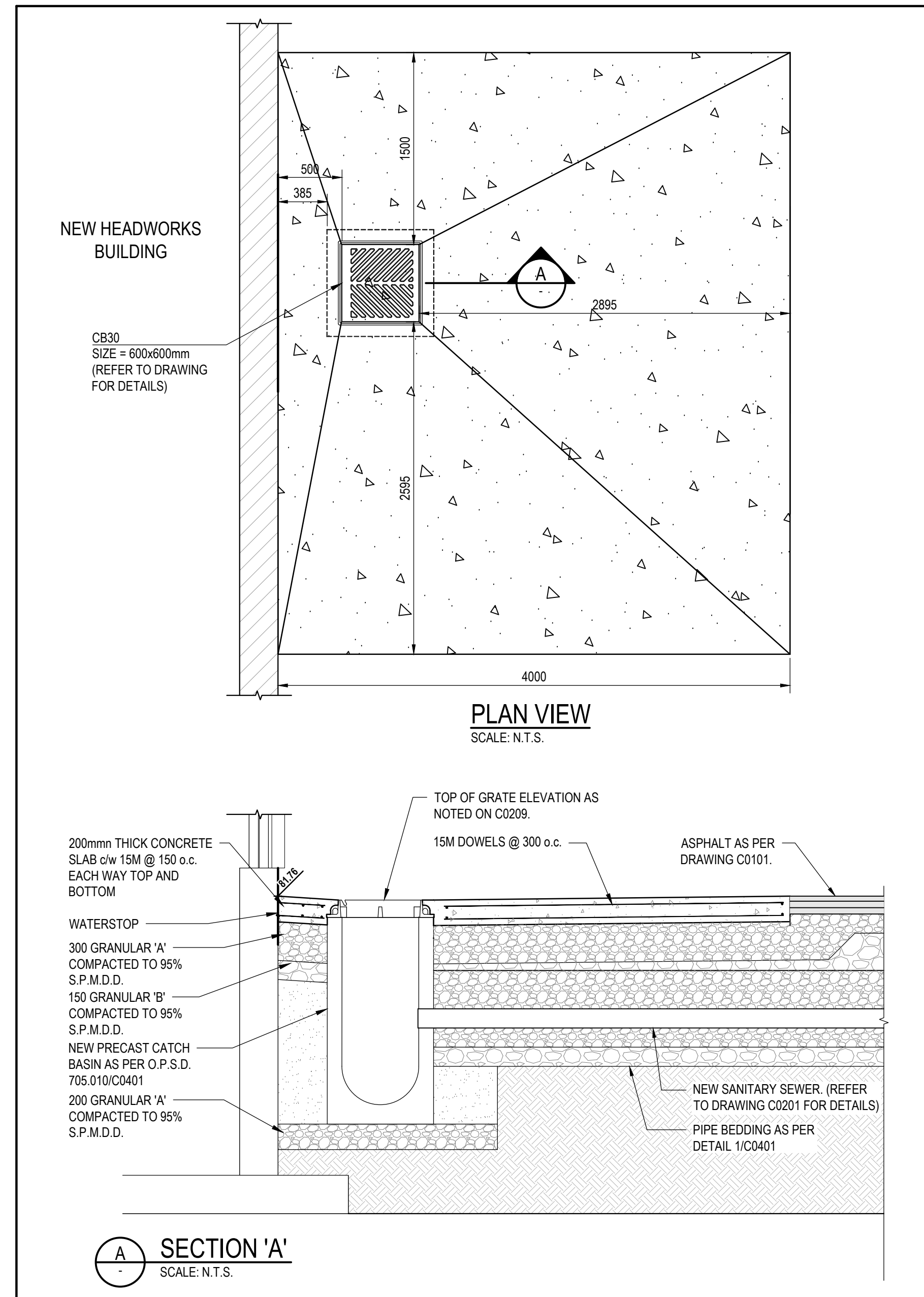
PROJECT:
NEW NAPANEE WPCP

TITLE:
DETAILS

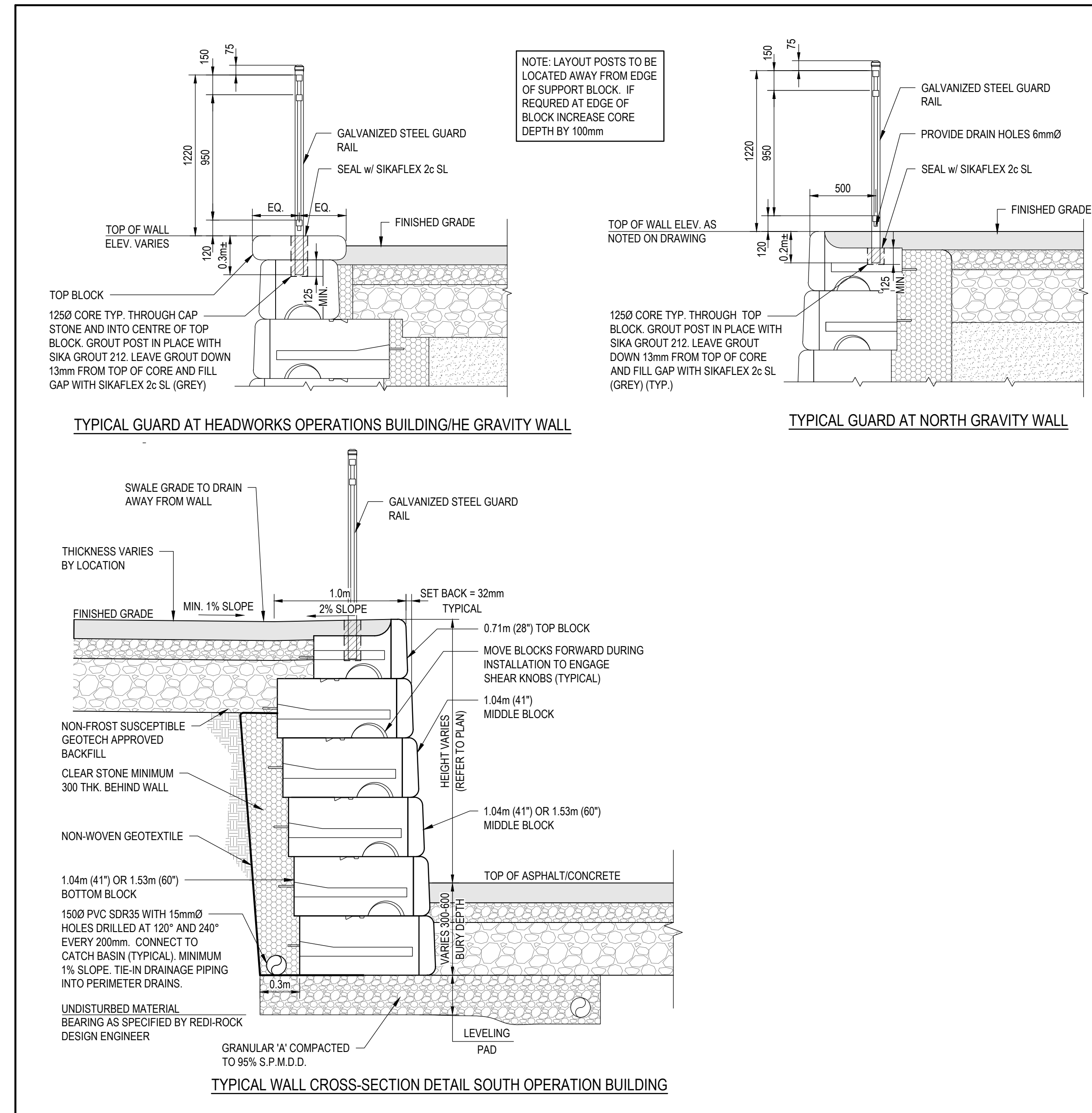
SCALE:	JOB NO:
AS SHOWN	22001
DESIGNED BY:	DATE:
J.B.	2025/01/23
DRAWN BY:	DRAWING NO.
K.B.W.	
CHECKED BY:	
J.B.	

C0401

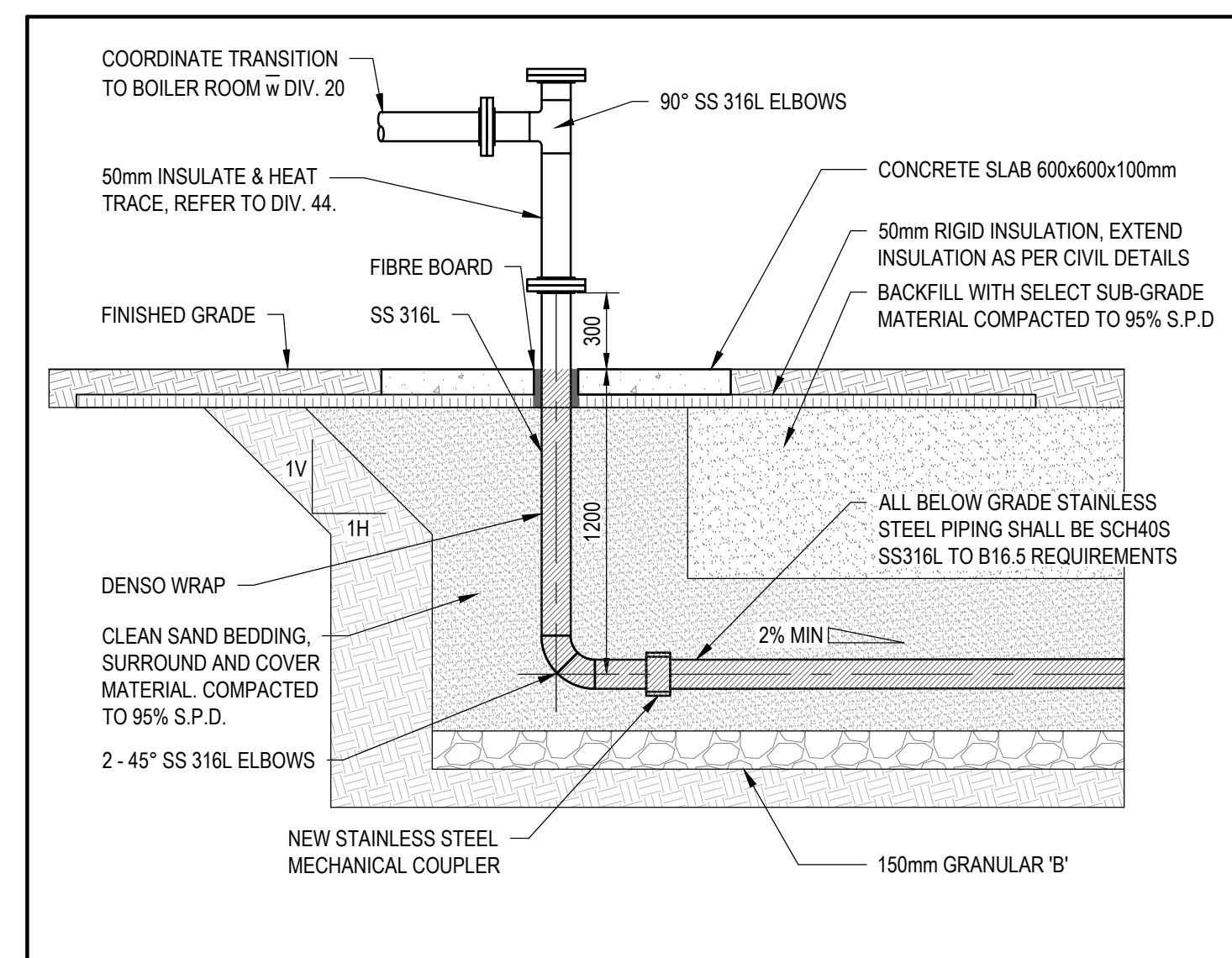
11/2022/22001 - Napanee WPCP Upgrade/Detail 0 - Draw - WPCP/02 - Civil/02 - Production/22001 - C0401 - 0403.dwg - Jun 24, 2025 - 1:53pm ET (Ken White)



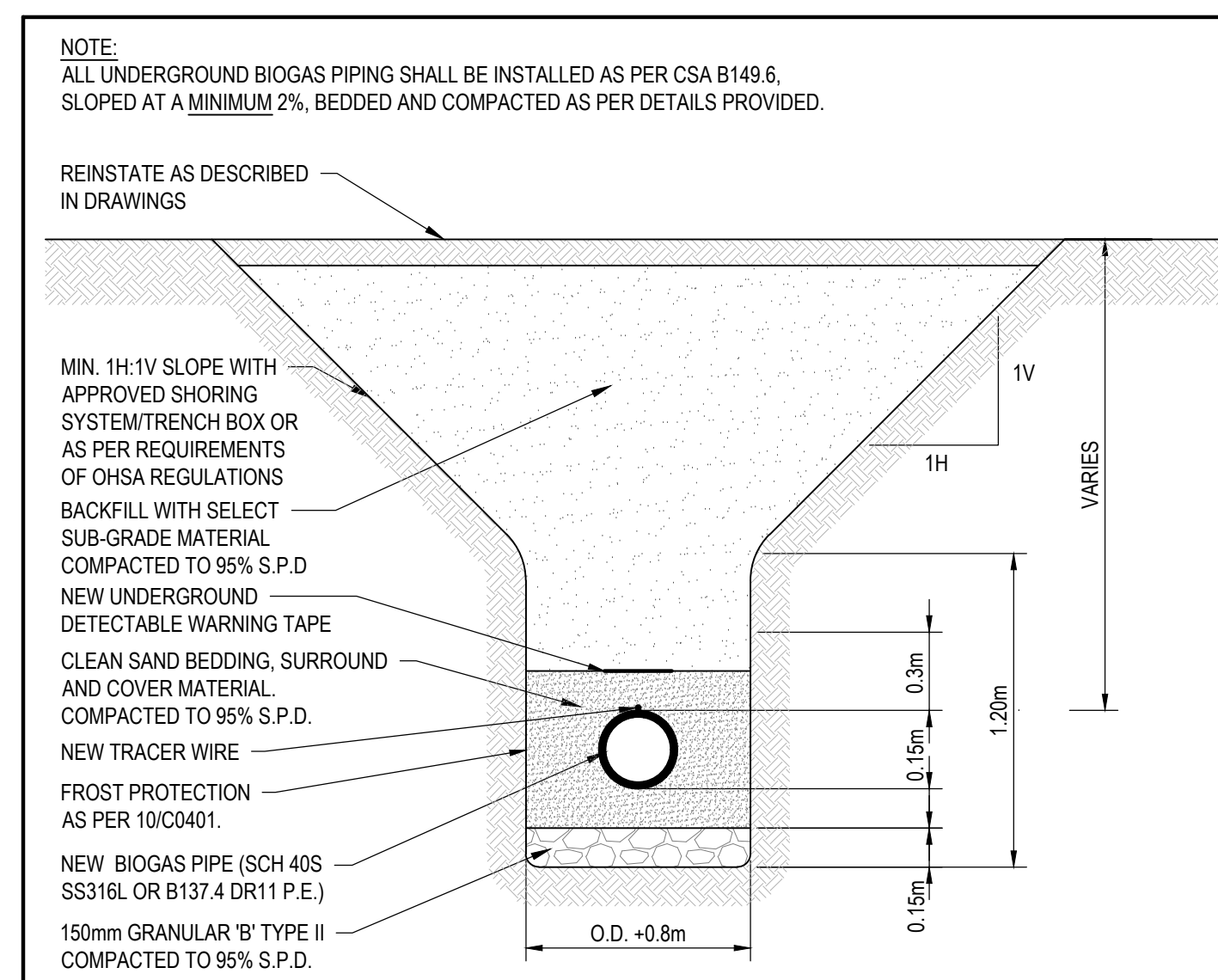
1 SEPTAGE RECEIVING CONTAINMENT PAD
SCALE: N.T.S.



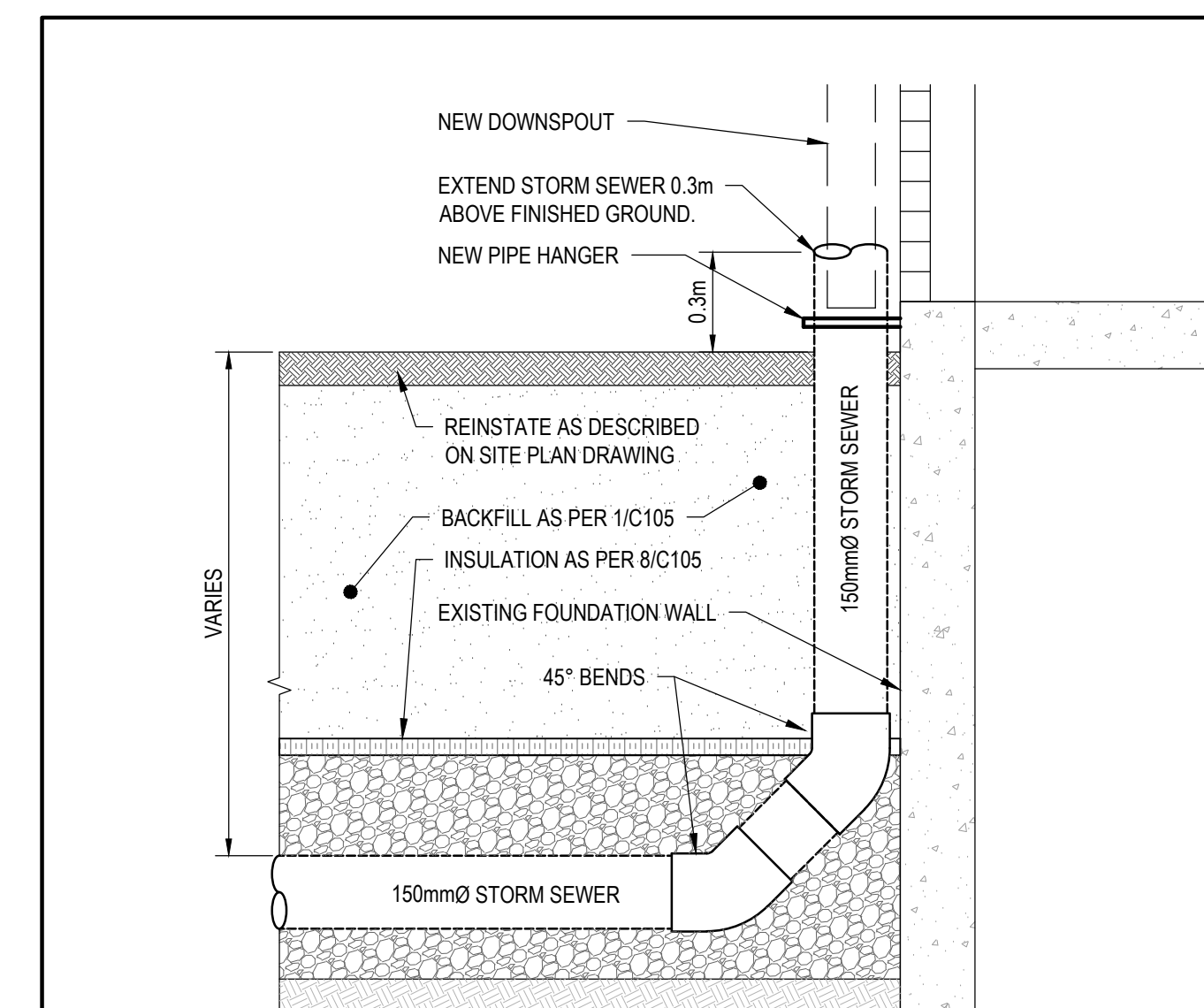
2 TYPICAL RETAINING WALL DETAIL
SCALE: N.T.S.



3 BIOGAS PIPE TRANSITION DETAIL 1
SCALE: N.T.S.



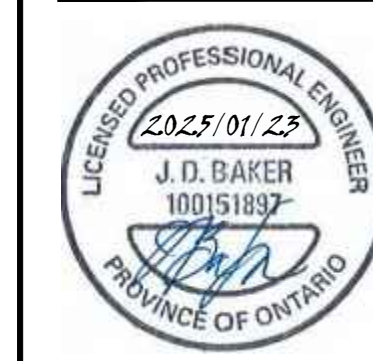
4 TYPICAL BIOGAS TRENCH DETAIL
SCALE: N.T.S.



5 TYPICAL RAINWATER LEADER DETAIL
SCALE: N.T.S.

DATE	No.	REVISION
2025/01/23	2	ISSUED FOR TENDER
2024/08/23	1	ISSUED FOR ECA APPROVAL

THE DRAWINGS, ARRANGEMENTS, ANNOTATIONS AND GRAPHICAL PRESENTATIONS ON THIS DOCUMENT ARE THE PROPERTY OF EVB ENGINEERING WHO RETAINS OWNERSHIP AND AUTHORSHIP OF THIS DOCUMENT IN ITS ENTIRETY. THIS DOCUMENT IS AN INSTRUMENT OF SERVICE AND IS THE INTELLECTUAL AND PHYSICAL PROPERTY OF EVB ENGINEERING. AUTHORIZED USE OF THIS DRAWING IS GRANTED SOLELY FOR THE PURPOSE OF THIS SPECIFIC PROJECT AND LOCATION, AND NOT FOR CONSTRUCTION OR USE FOR ANY OTHER PROJECT. COPYRIGHT © 2024 EVB ENGINEERING.



CONSULTANT:

EVB ENGINEERING

800 SECOND STREET WEST
CORNWALL, ONTARIO CANADA, K6J 1H6
TEL: 613-935-3775 | FAX: 613-935-6450
WEBSITE: EVBengineering.com

SUB-CONSULTANT:

CIMA+

CLIENT:

Greater Napanee
GREATNESS FOR MANY REASONS

PROJECT:

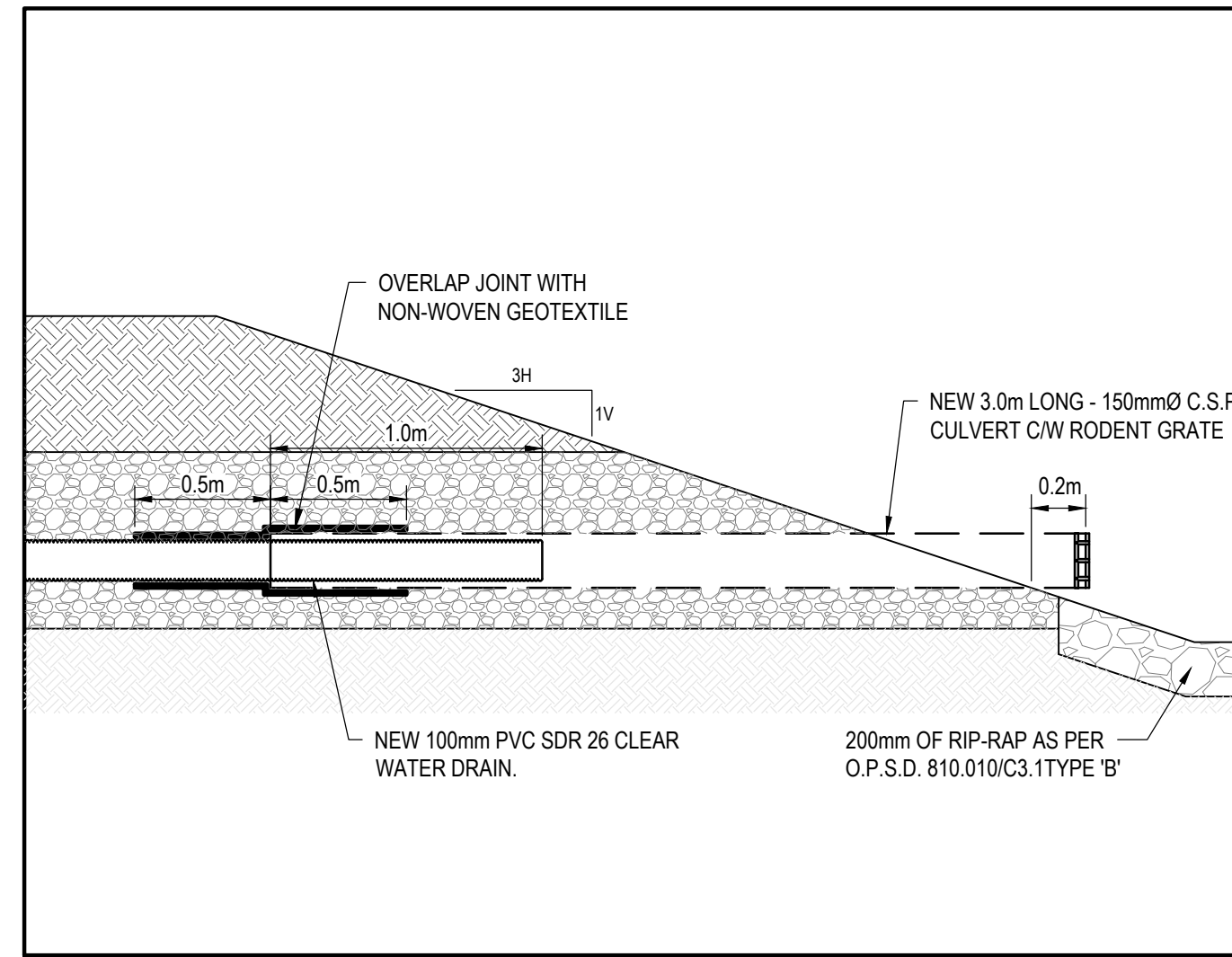
NEW NAPANEE WPCP

TITLE:

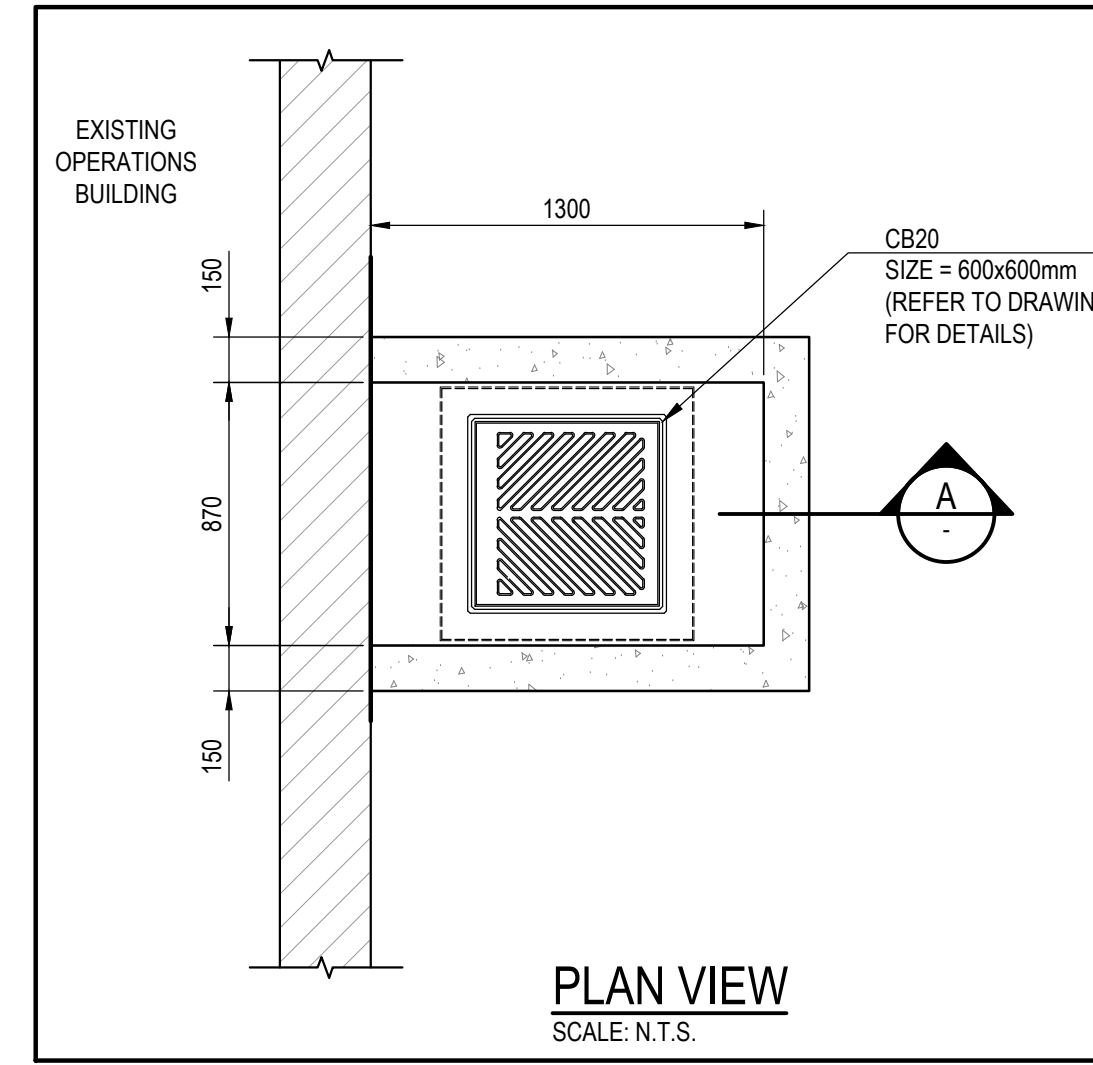
DETAILS

SCALE: AS SHOWN	JOB NO: 22001
DESIGNED BY: J.B.	DATE: 2025/01/23
DRAWN BY: K.B.W.	DRAWING NO.
CHECKED BY: J.B.	C0402

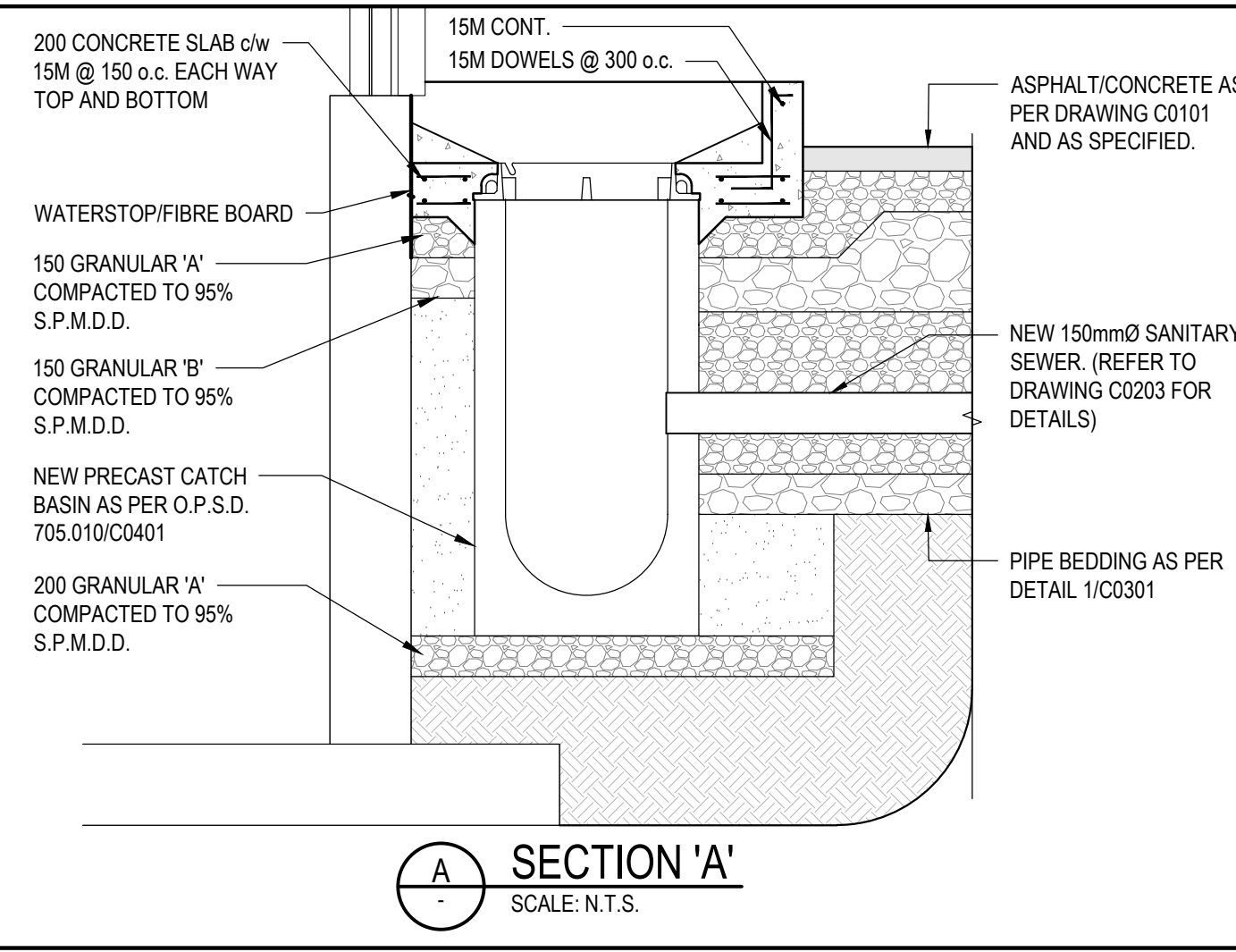
11/02/2025 11:45:00 AM - Napanee WPCP - U:\Projects\2025\11-02-2025\11-02-2025-154mm BT (Rev. White)



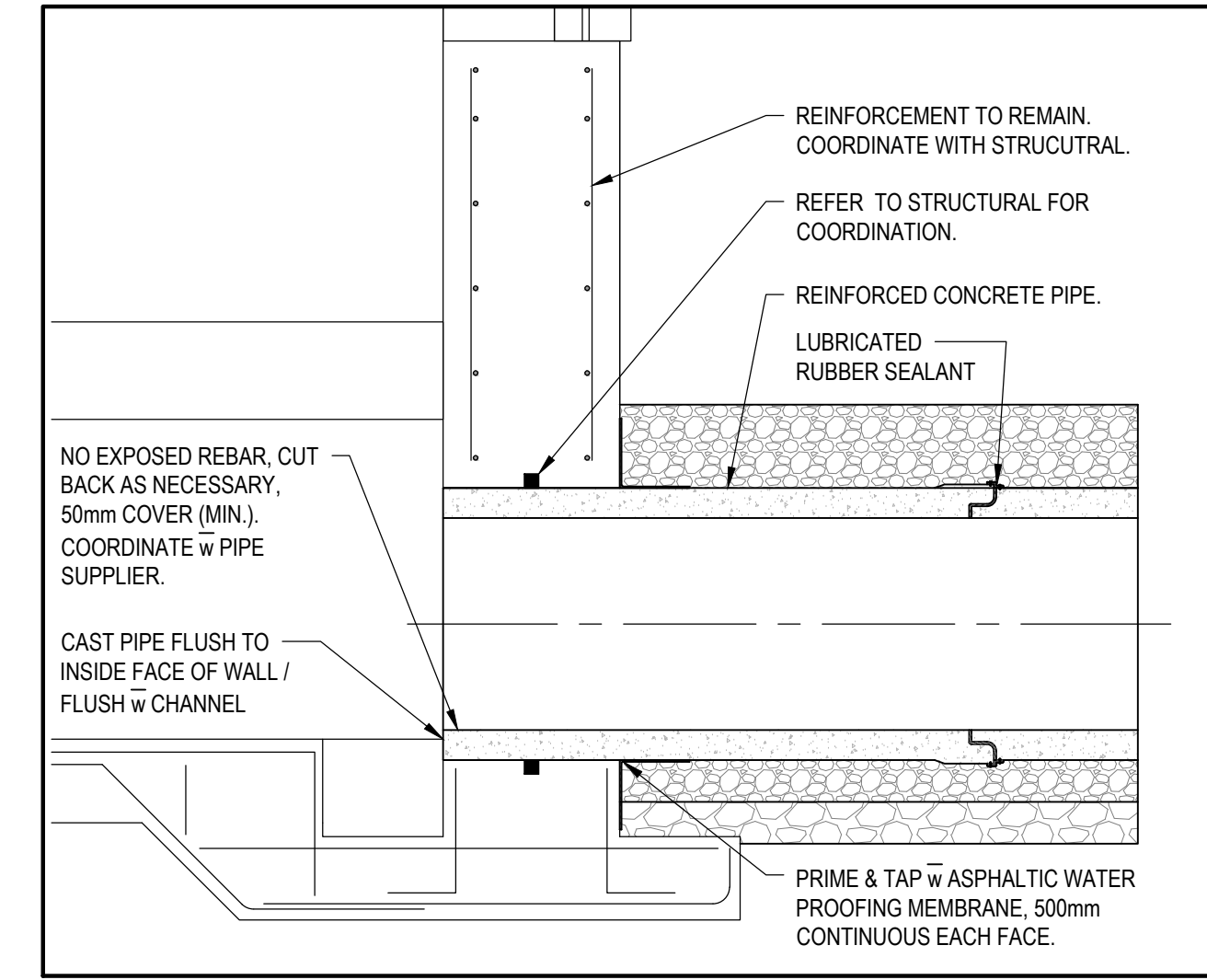
1 PIPE OUTLET DETAIL TO SWALE
SCALE: N.T.S.



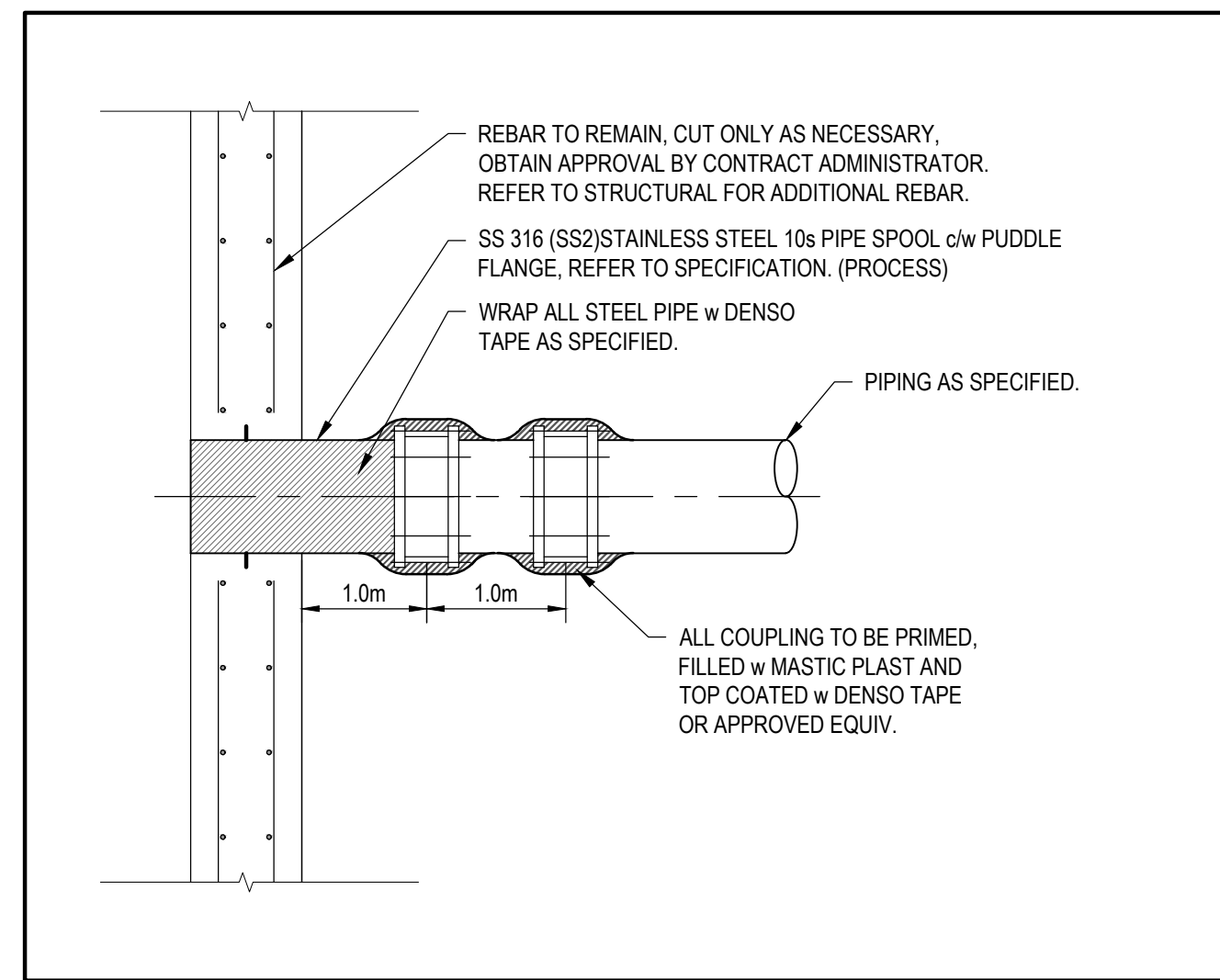
2 ALUM FILL CONTAINMENT PIT
SCALE: N.T.S.



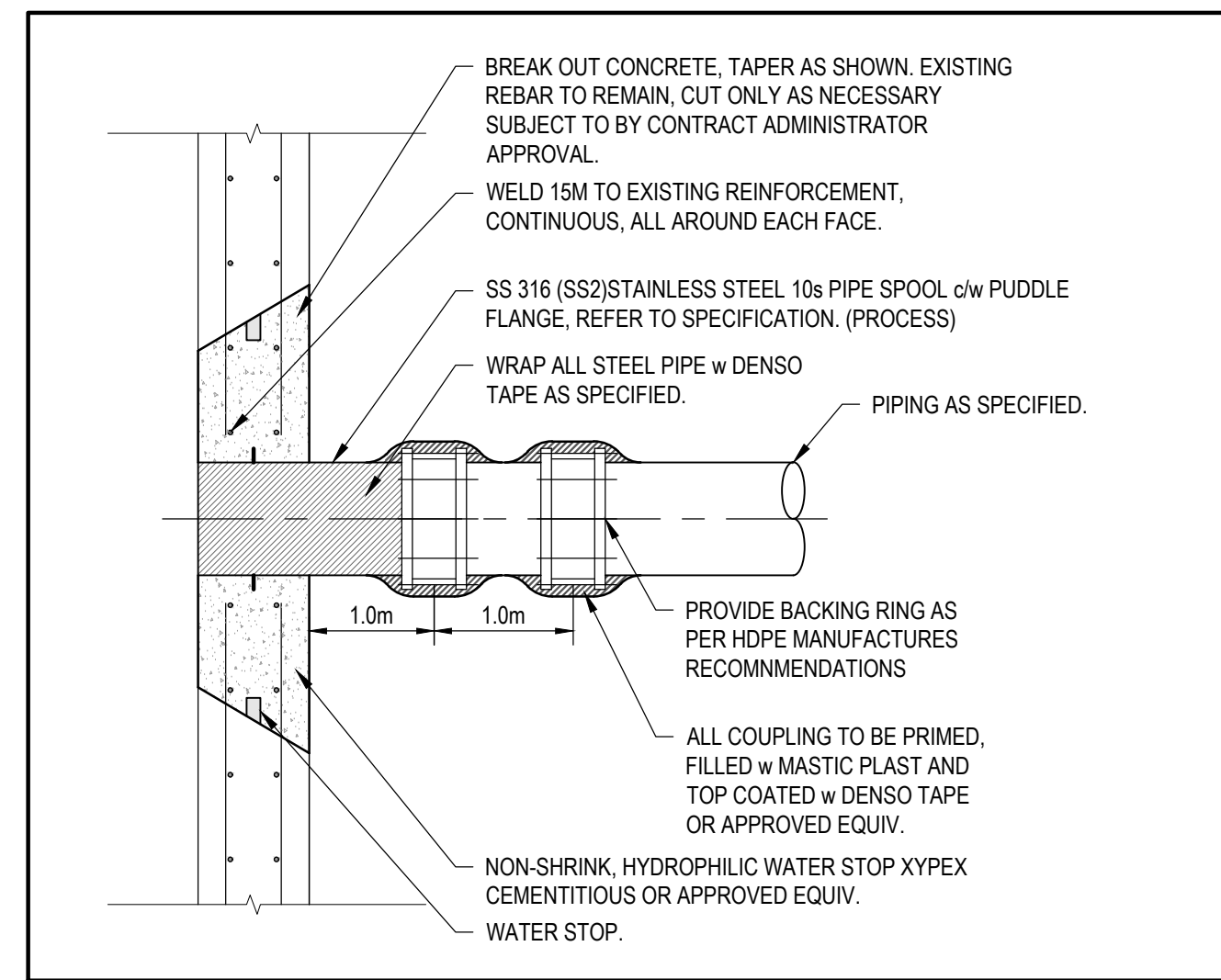
SECTION 'A'
SCALE: N.T.S.



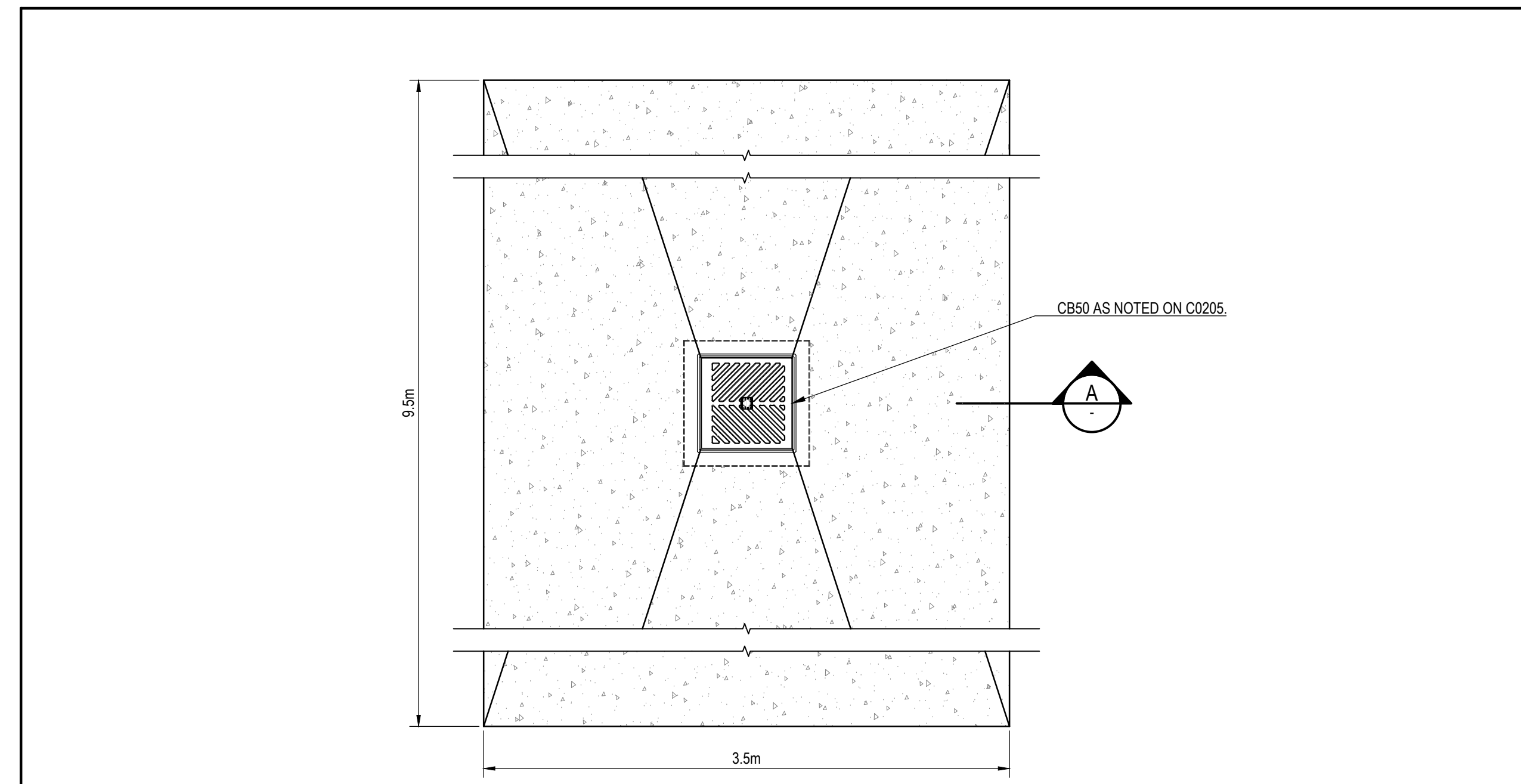
3 INLET SEWER AT HEADWORK
SCALE: N.T.S.



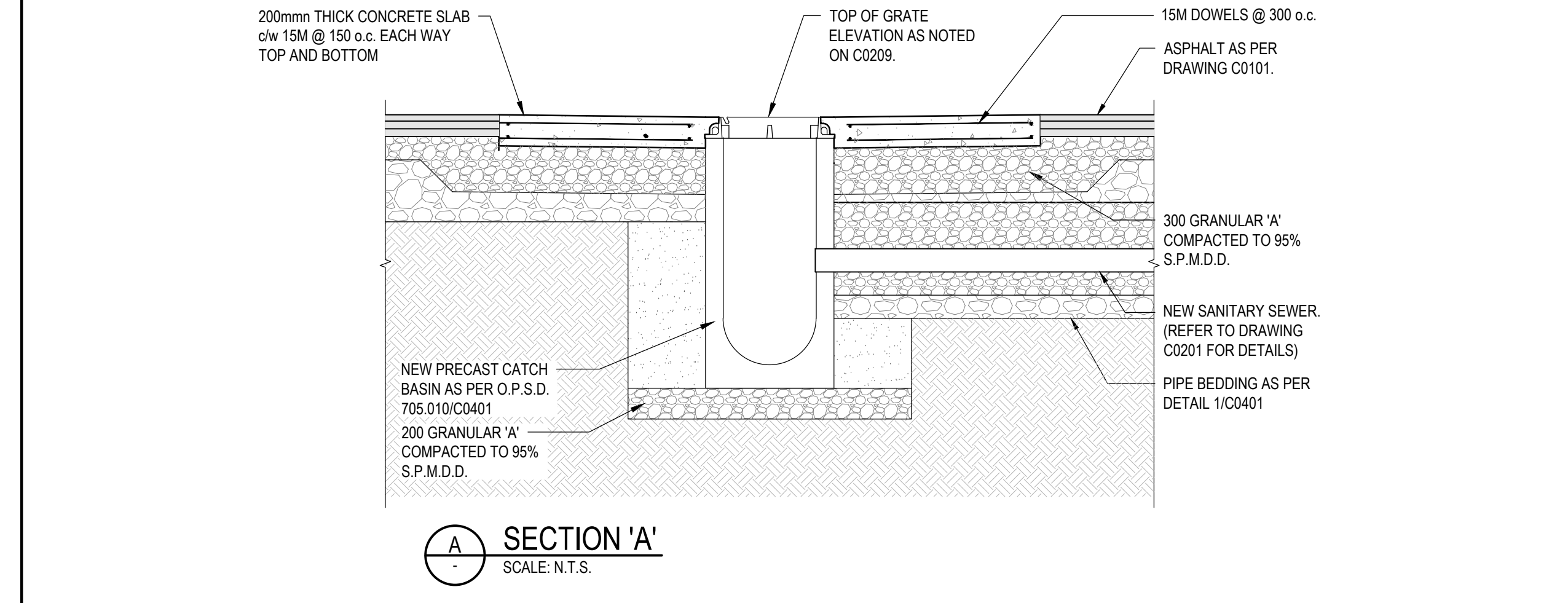
4 PIPE PENETRATION
SCALE: N.T.S.



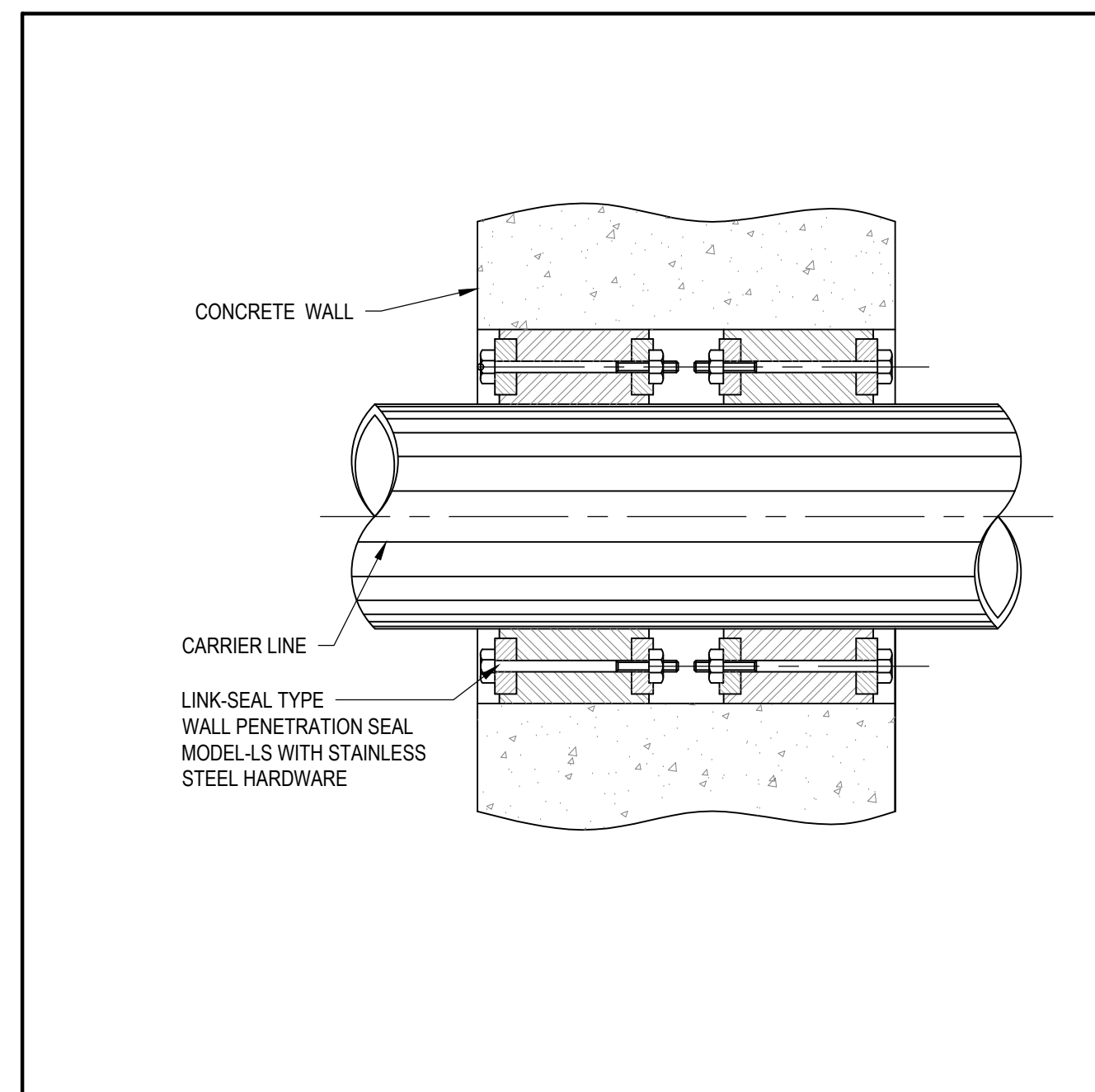
5 PIPE PENETRATION THROUGH EXISTING WALL
SCALE: N.T.S.



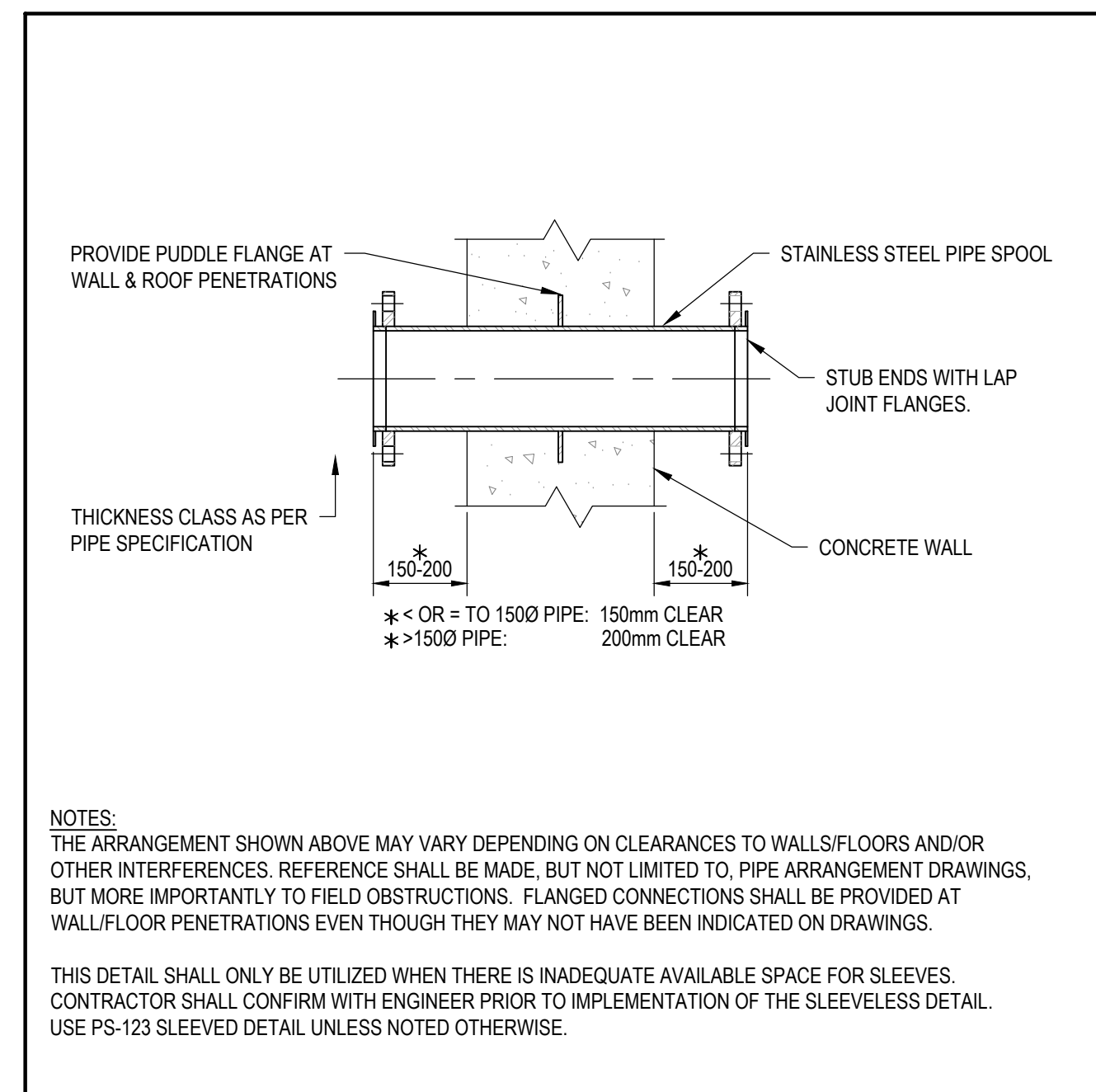
PLAN VIEW
SCALE: N.T.S.



SECTION 'A'
SCALE: N.T.S.



6 TYPICAL DOUBLE LINK SEAL DETAIL
SCALE: N.T.S.



7 WALL PENETRATION THROUGH WALLS AND FLOORS
SCALE: N.T.S.

8 SLUDGE CONTAINMENT PAD
SCALE: N.T.S.

DATE	No.	REVISION
2025/01/23	2	ISSUED FOR TENDER
2024/08/23	1	ISSUED FOR ECA APPROVAL

THE DRAWINGS, ARRANGEMENTS, ANNOTATIONS AND GRAPHICAL PRESENTATIONS ON THIS DOCUMENT ARE THE PROPERTY OF EVB ENGINEERING WHO RETAINS OWNERSHIP AND AUTHORSHIP OF THIS DOCUMENT IN ITS ENTIRETY. THIS DOCUMENT IS AN INSTRUMENT OF SERVICE AND IS THE INTELLECTUAL AND PHYSICAL PROPERTY OF EVB ENGINEERING. AUTHORIZED USE OF THIS DRAWING IS GRANTED SOLELY FOR THE PURPOSE OF THIS SPECIFIC PROJECT AND LOCATION, AND NOT FOR CONSTRUCTION OR USE FOR ANY OTHER PROJECT. COPYRIGHT © 2024 EVB ENGINEERING.



CONSULTANT:
EVB ENGINEERING
 800 SECOND STREET WEST
 CORNWALL, ONTARIO CANADA, K6J 1H6
 TEL: 613-935-3775 | FAX: 613-935-6450
 WEBSITE: EVBengineering.com

SUB-CONSULTANT:
CIMA+

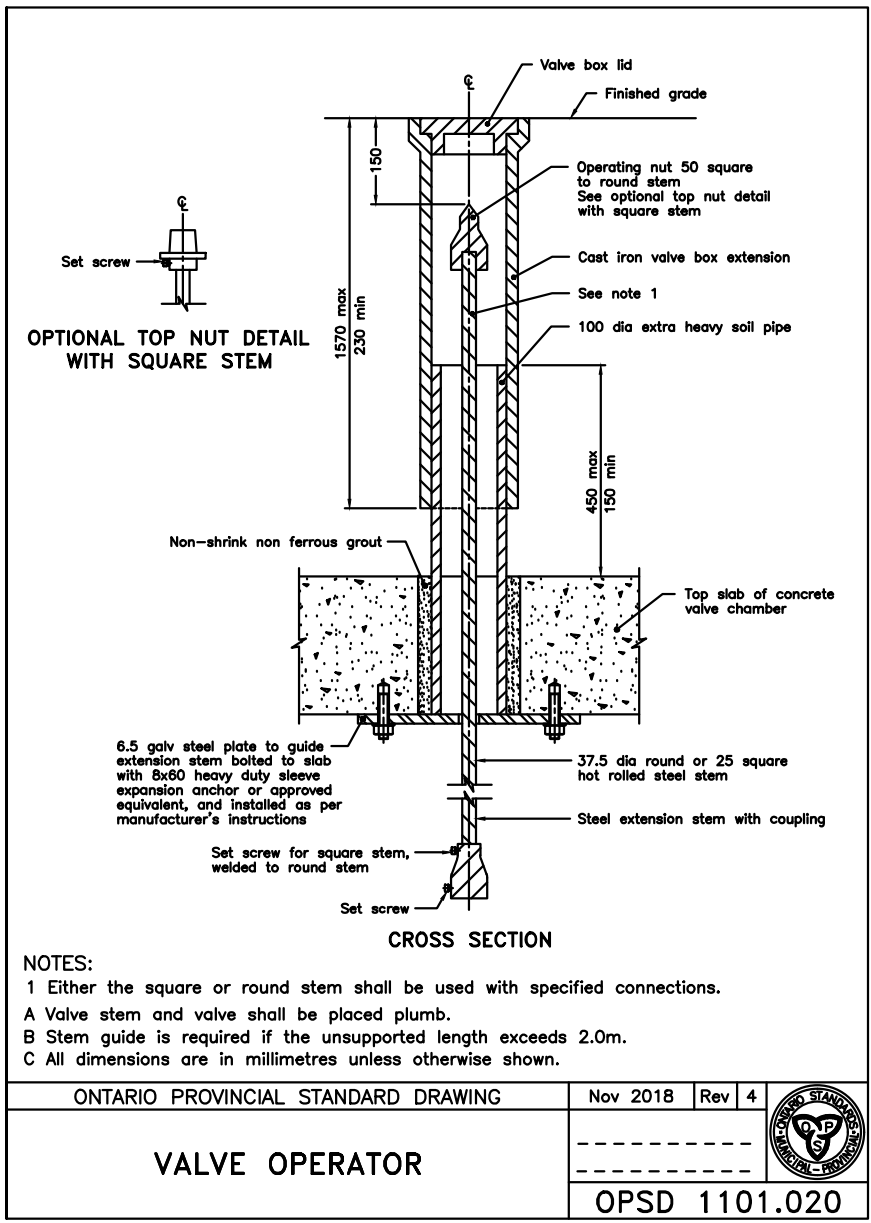
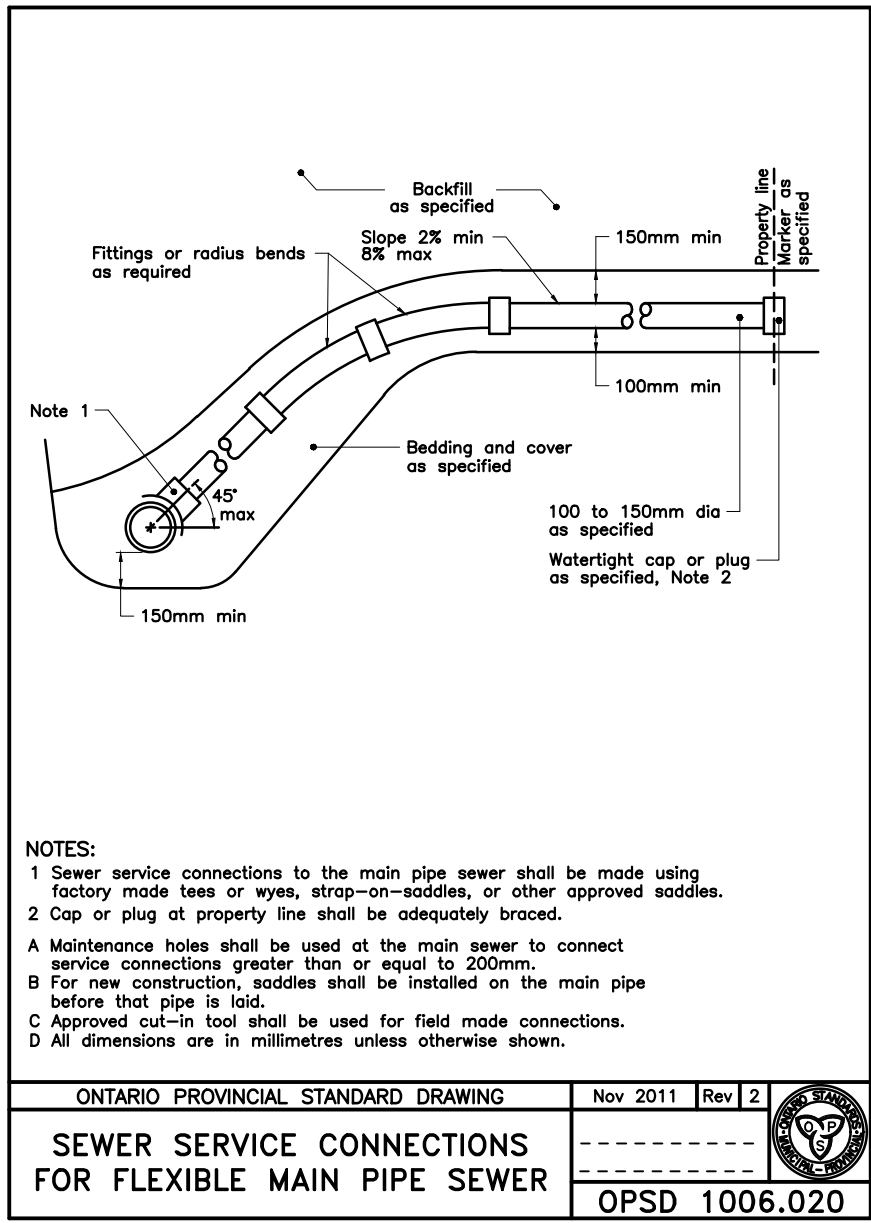
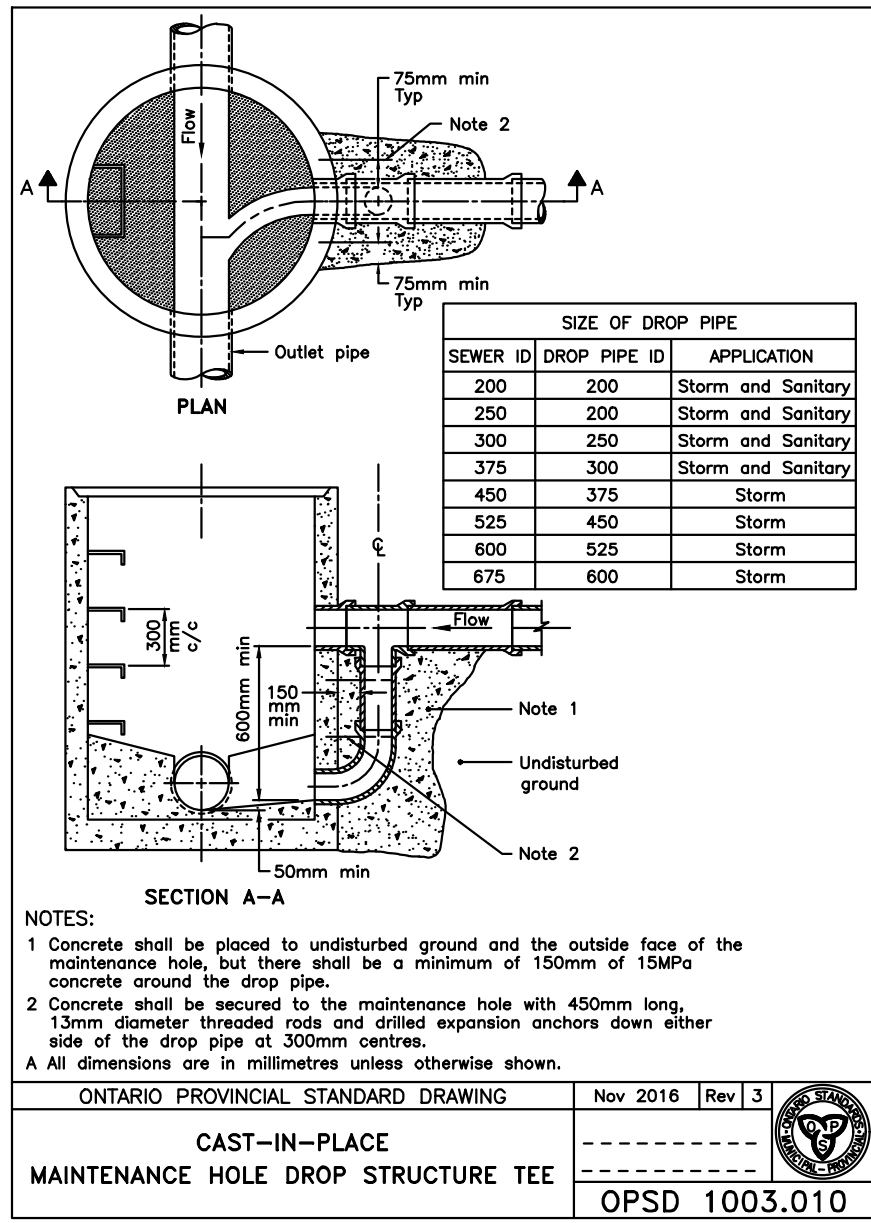
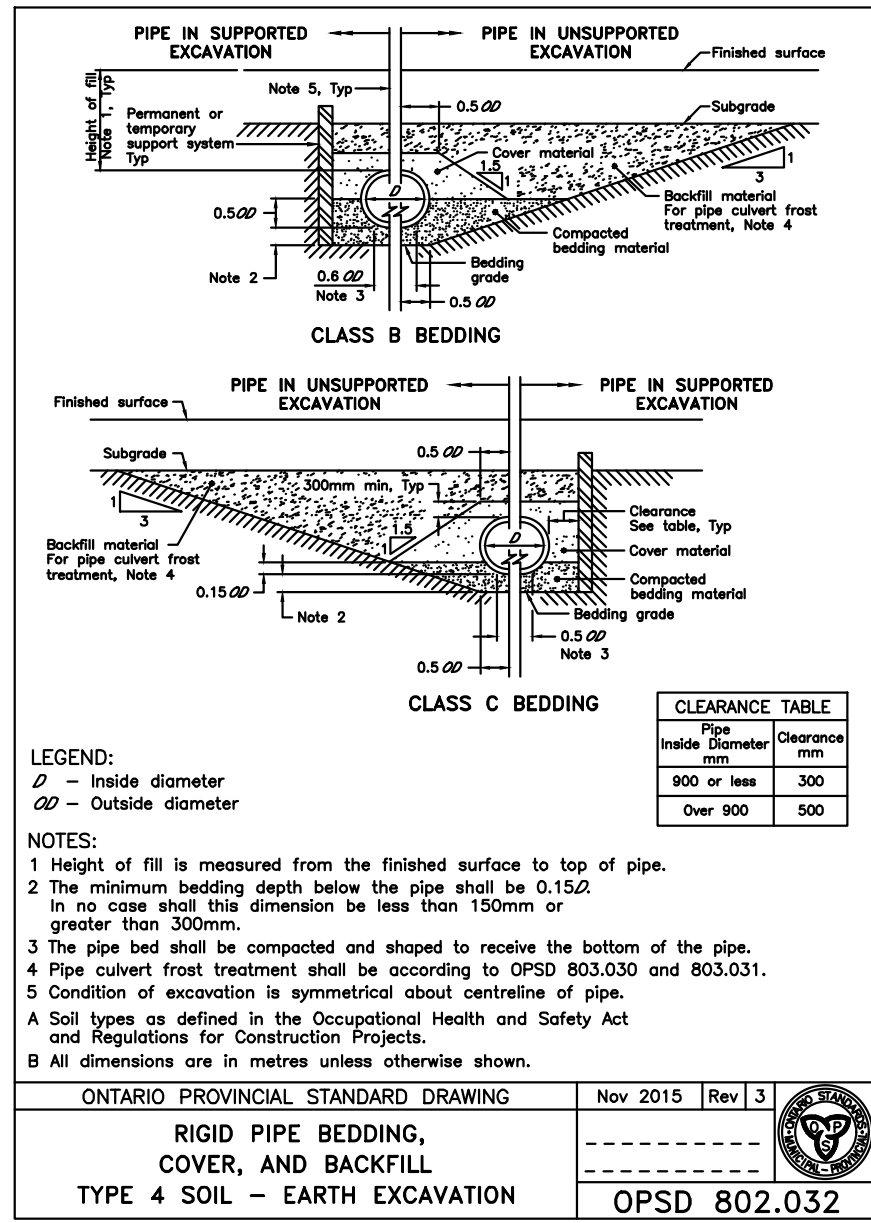
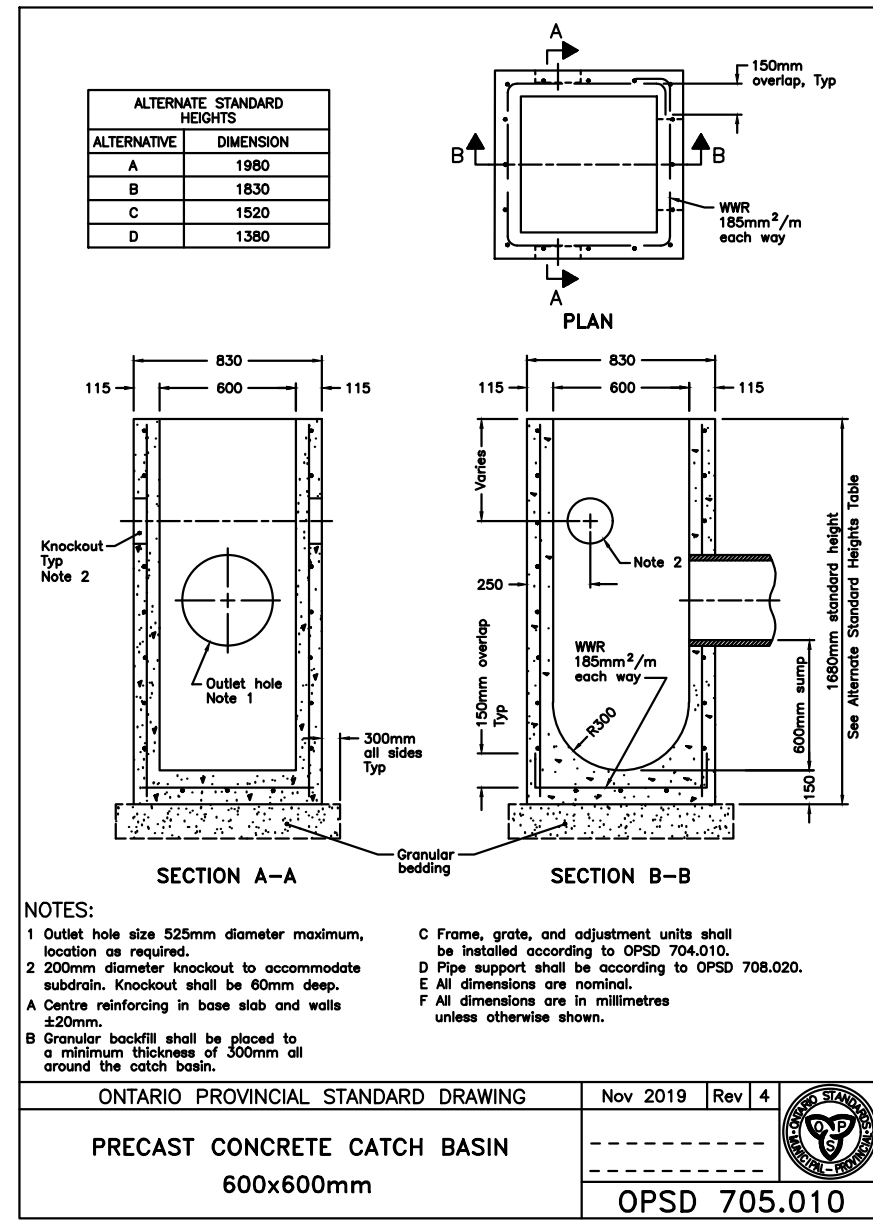
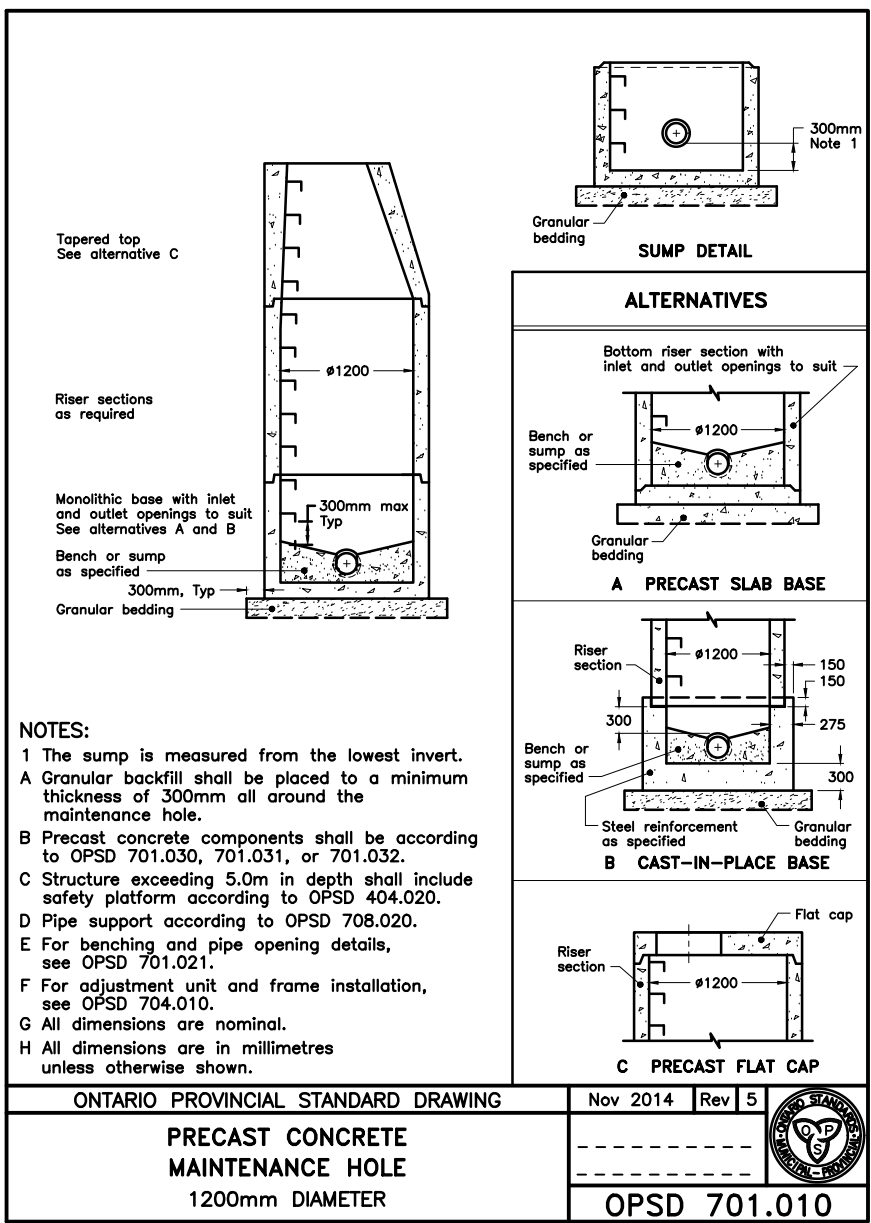
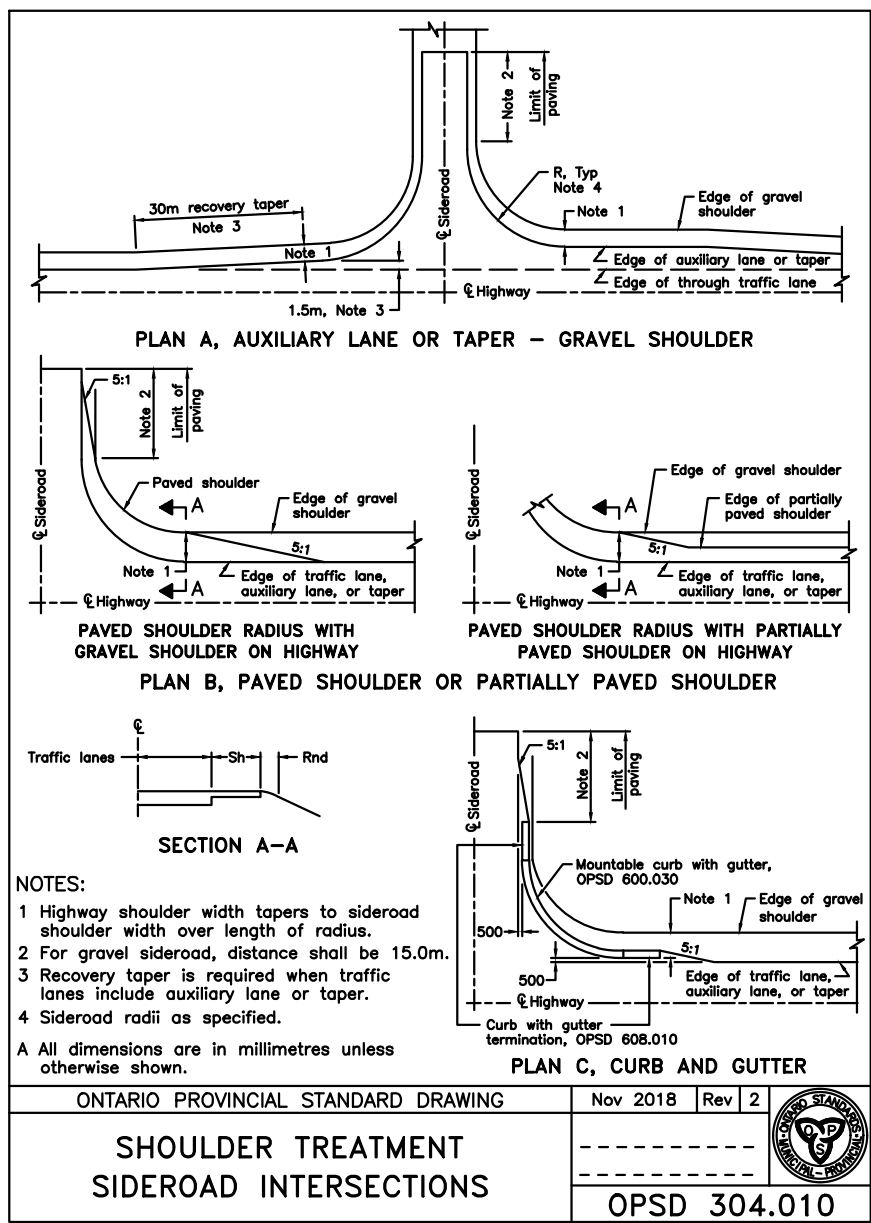
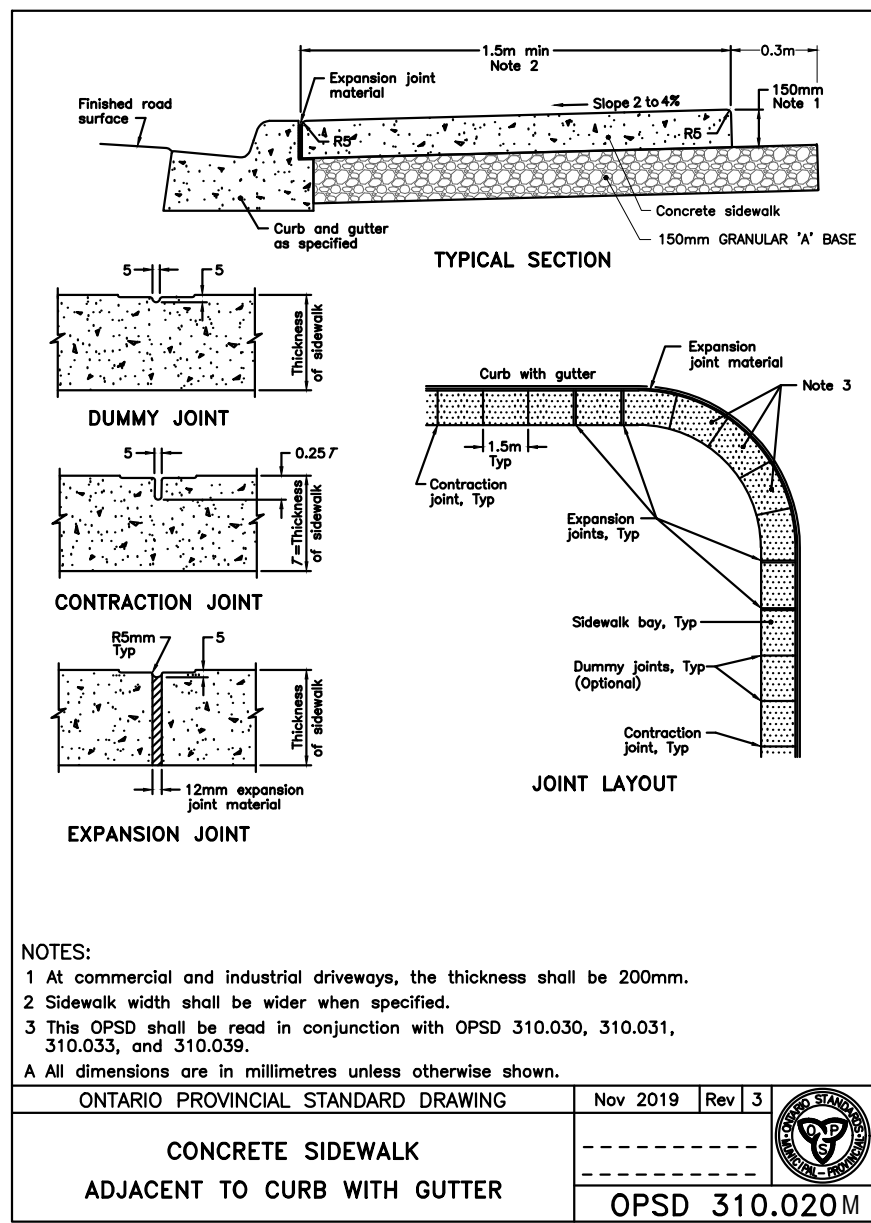
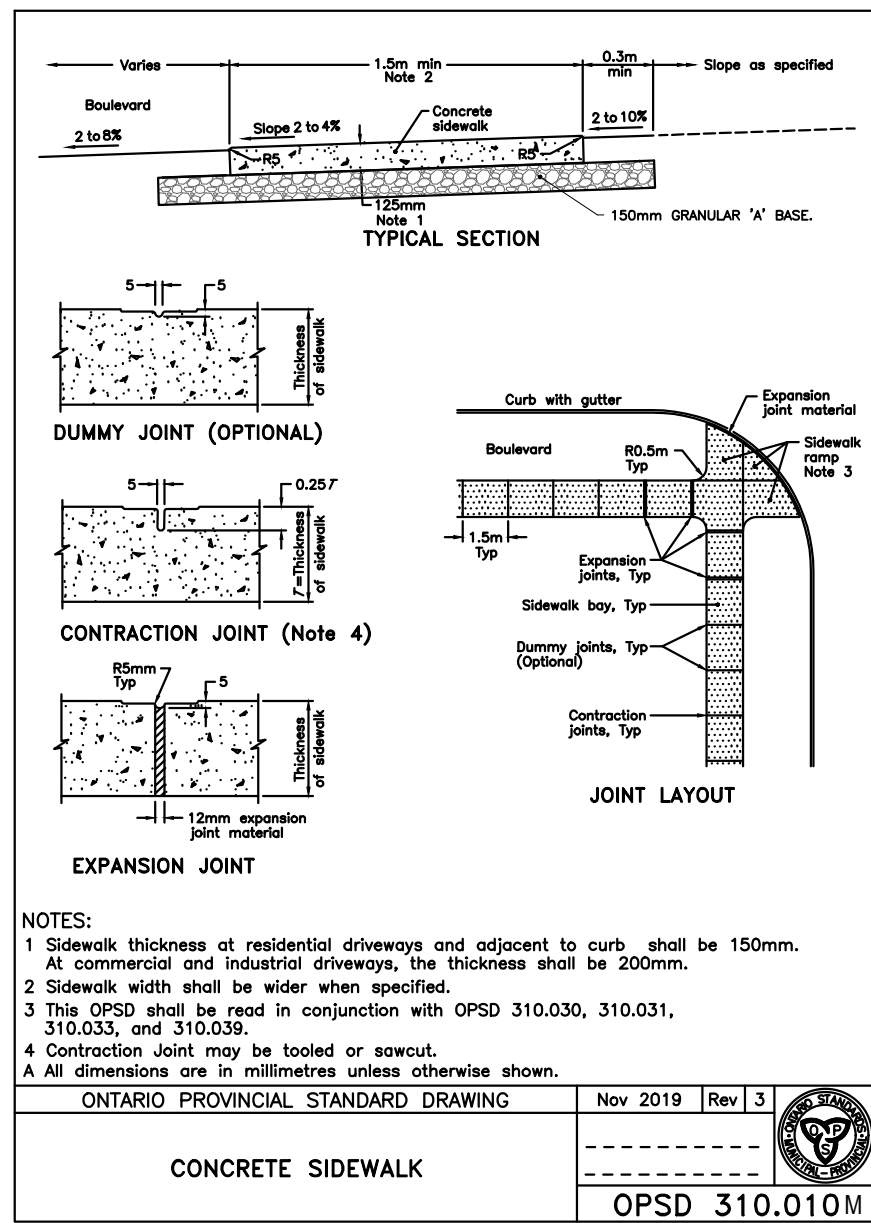
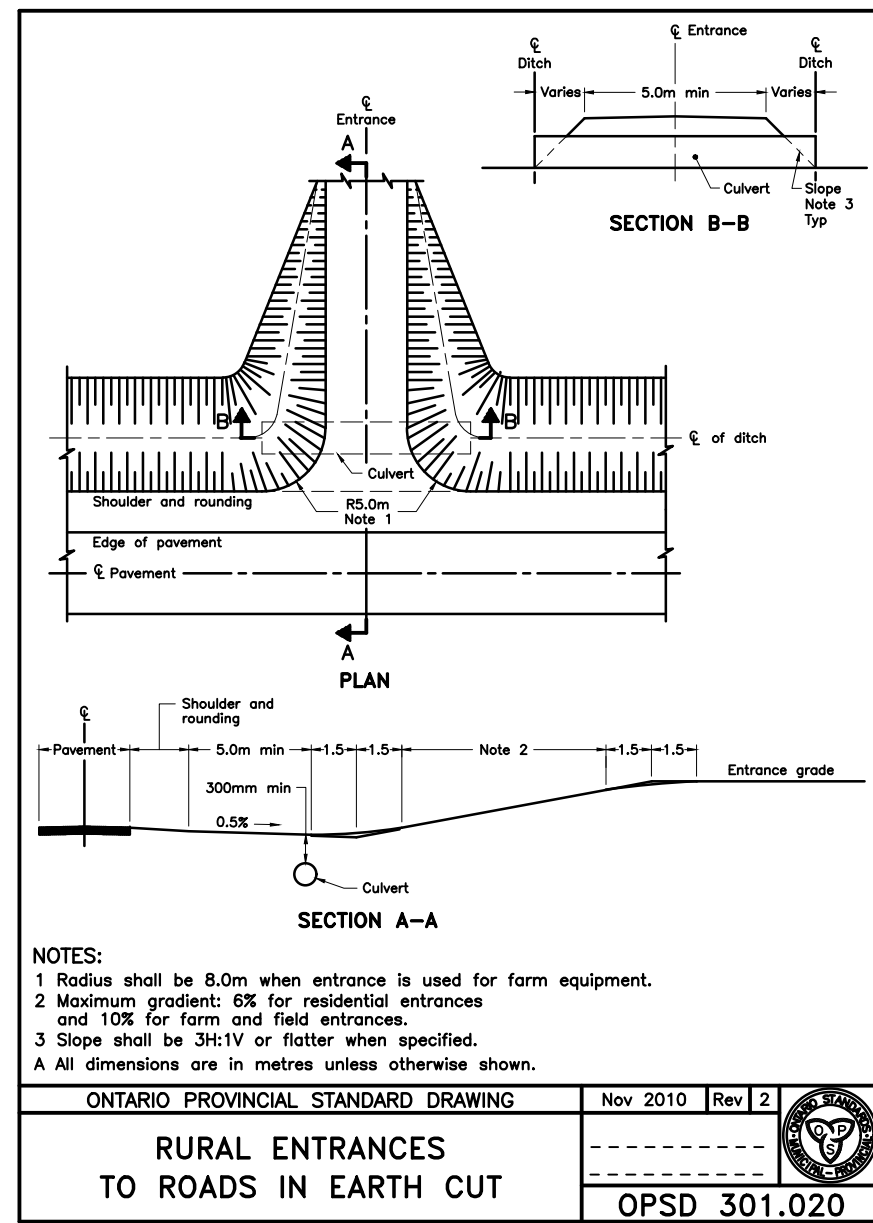
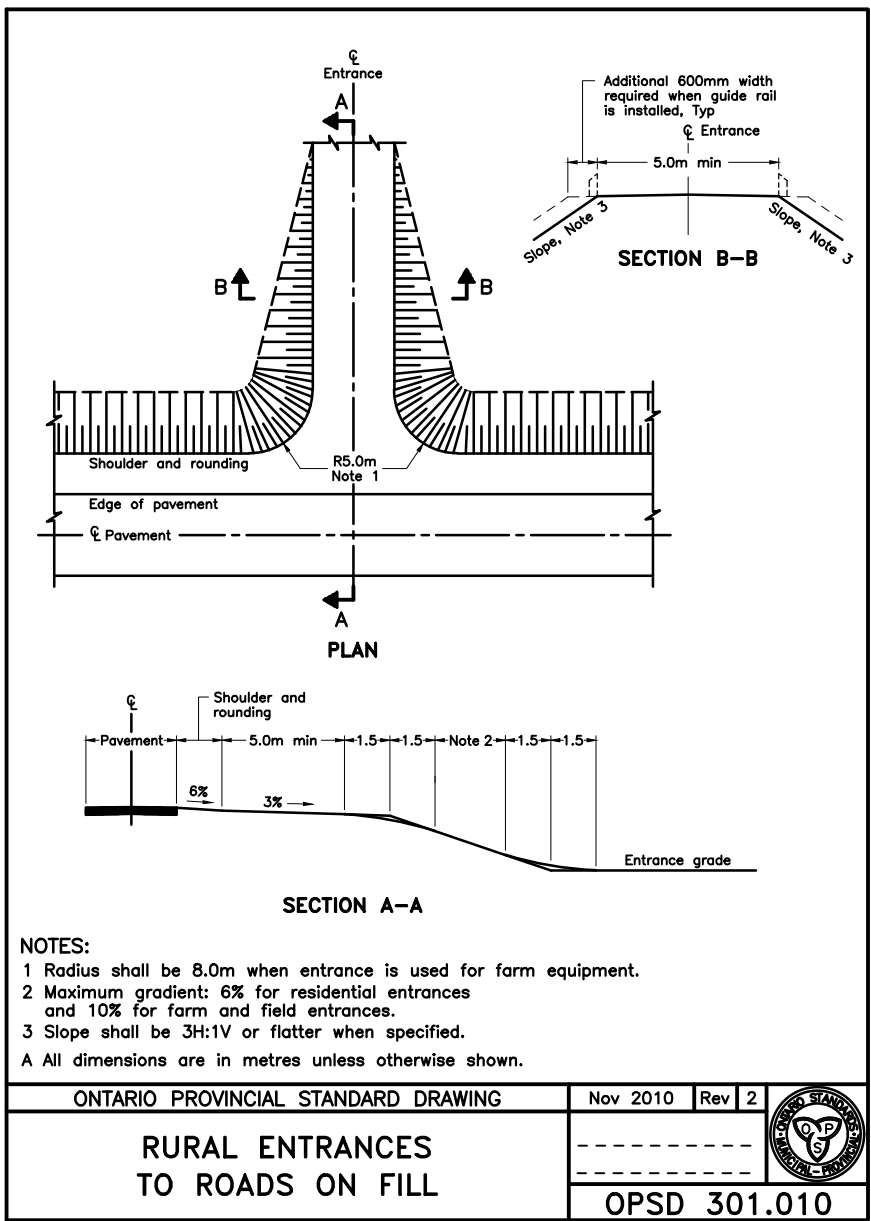
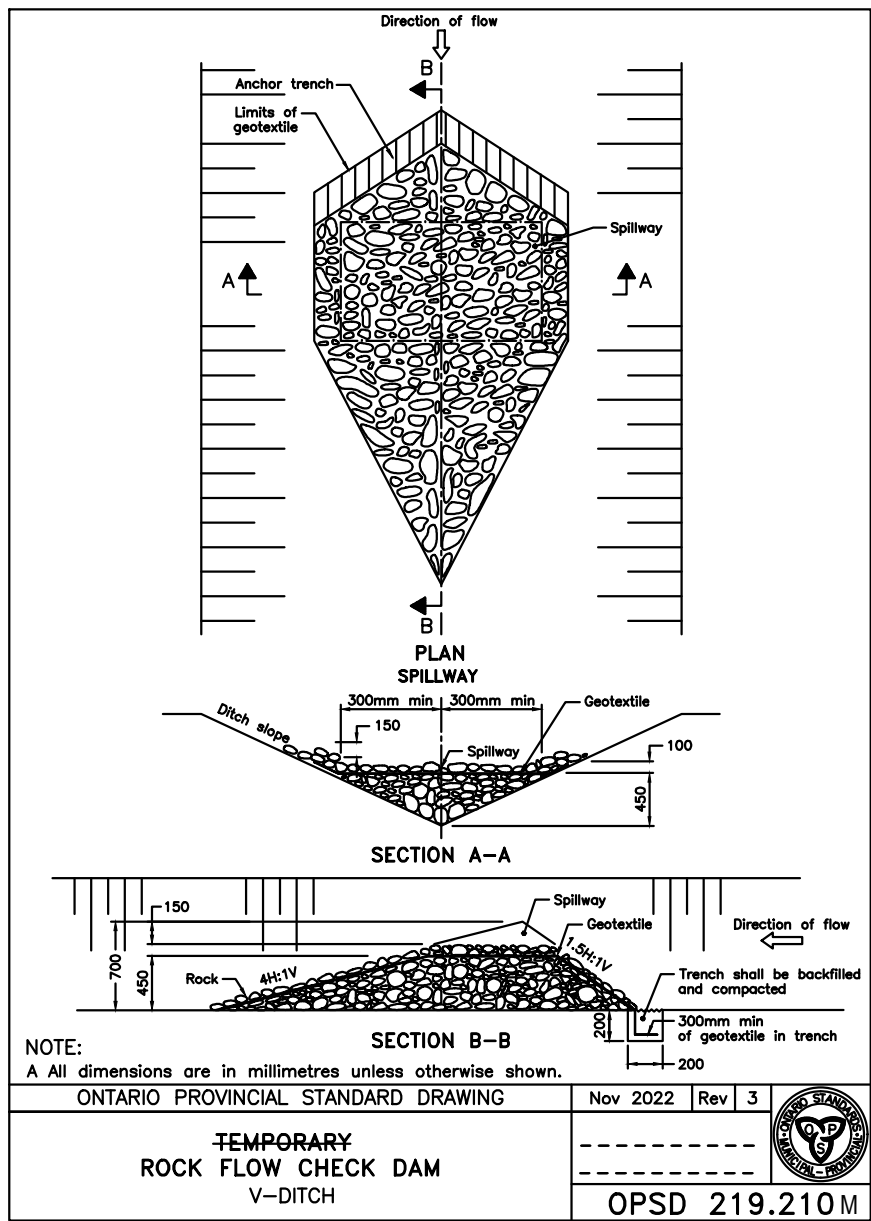
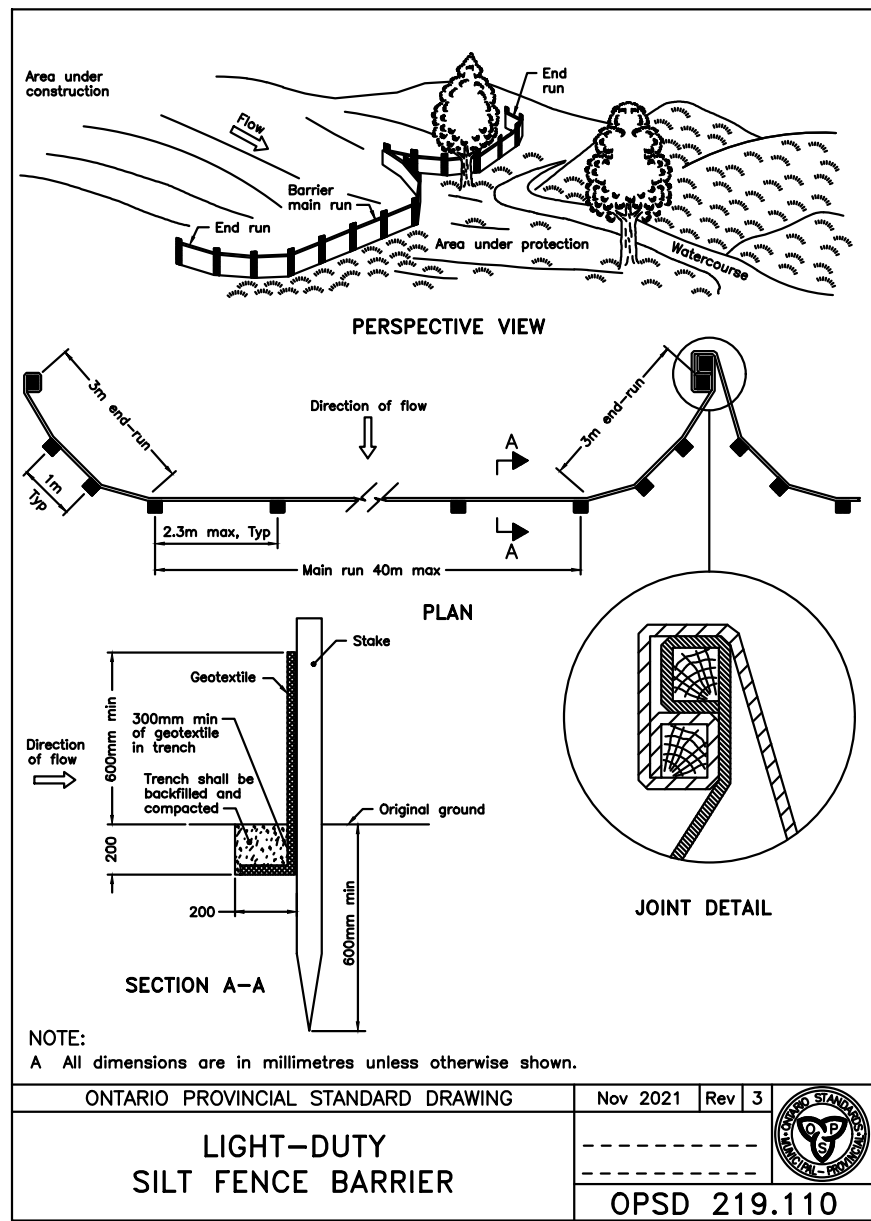
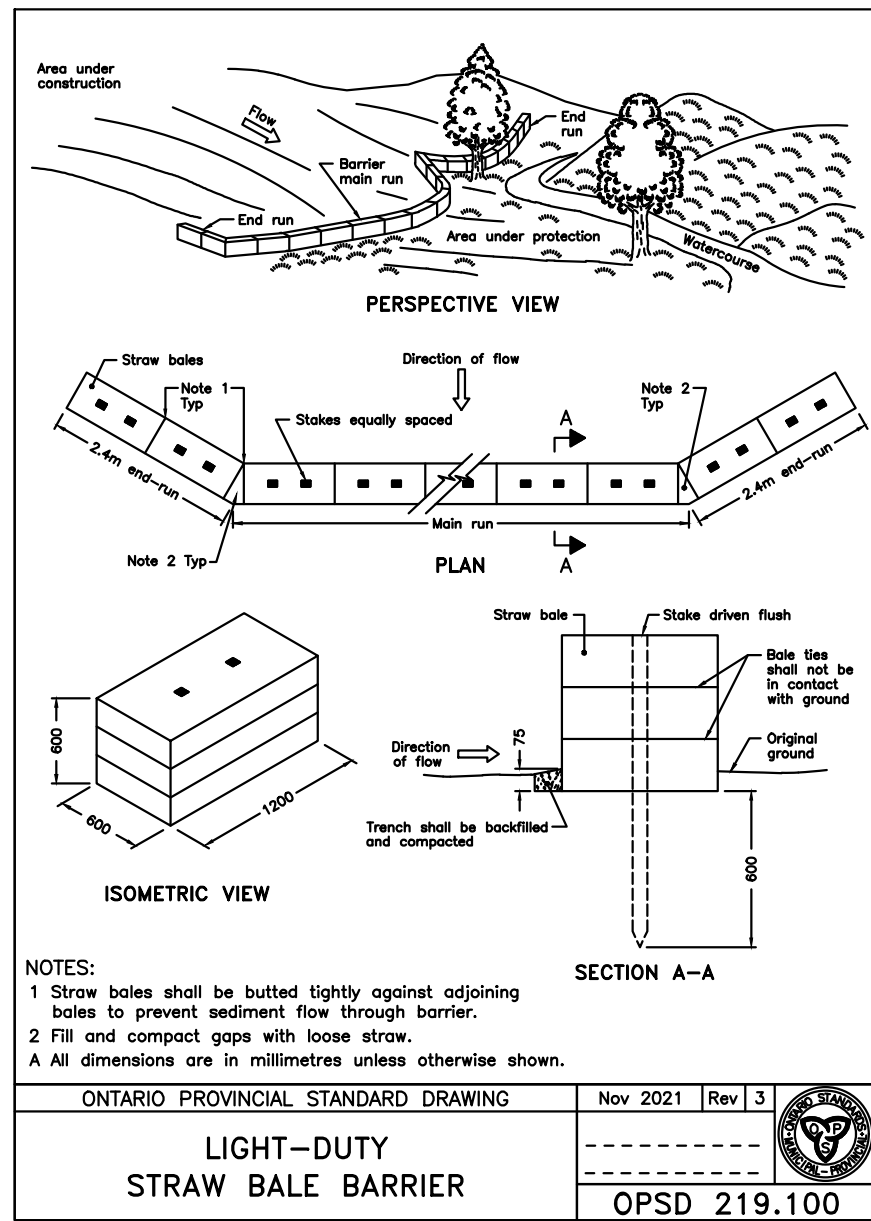
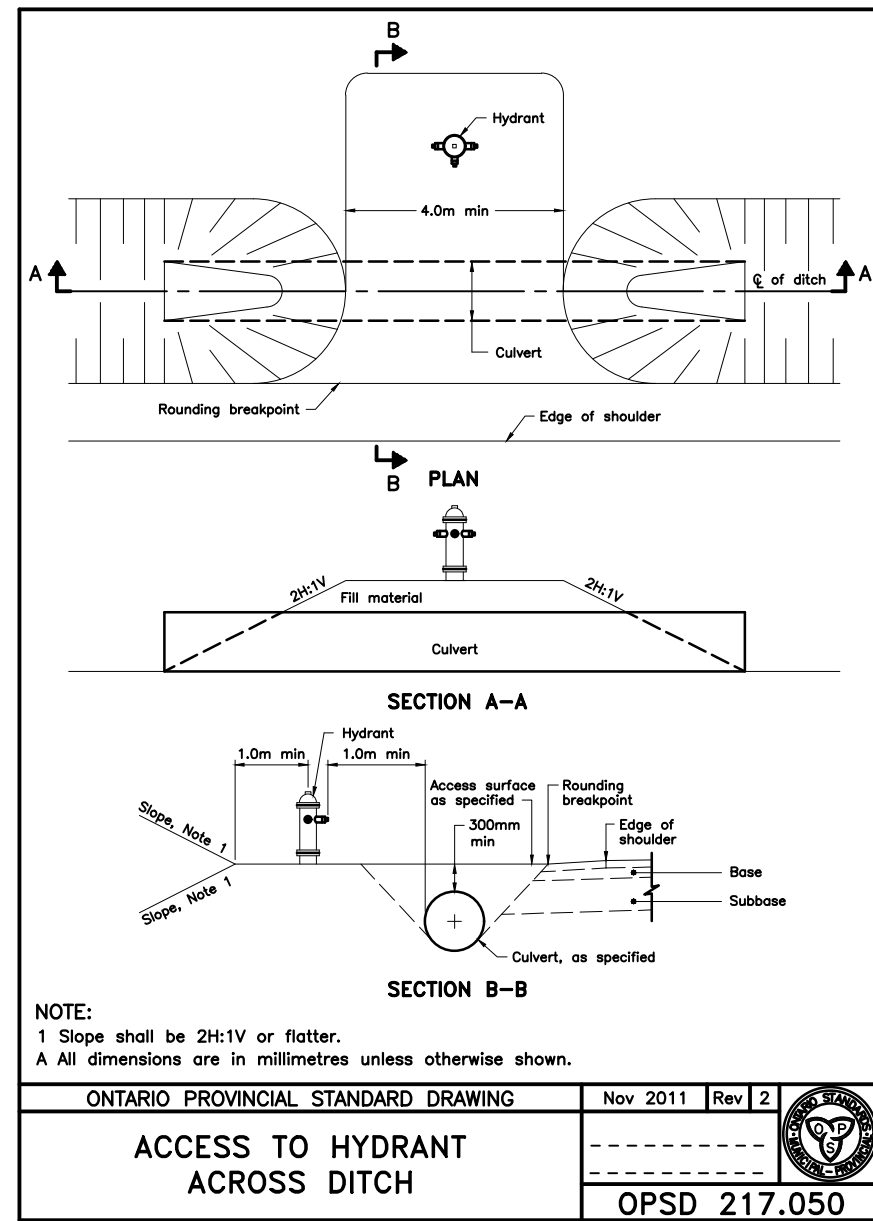
CLIENT:
Greater Napanee
 GREATNESS FOR MANY RESIDENTS

PROJECT:
NEW NAPANEE WPCP

TITLE:
DETAILS

SCALE: AS SHOWN	JOB NO: 22001
DESIGNED BY: J.B.	DATE: 2025/01/23
DRAWN BY: K.B.W.	DRAWING NO. C0403
CHECKED BY: J.B.	

M:\2025\22001 - Napanee WPCP\Updates\3-Dwg - WPCP-6-C-020 - Production\2301 - C0403.dwg, Jan 24, 2025 - 1:45pm ET (Ken White)



DATE	NO.	REVISION
2025/01/23	2	ISSUED FOR TENDER
2024/08/23	1	ISSUED FOR ECA APPROVAL



CONSULTANT:
EVB ENGINEERING
 800 SECOND STREET WEST
 CORNWALL, ONTARIO CANADA, K6J 1H6
 TEL: 613-835-3775 | FAX: 613-835-6450
 WEBSITE: EVBengineering.com

SUB-CONSULTANT:
CIM+

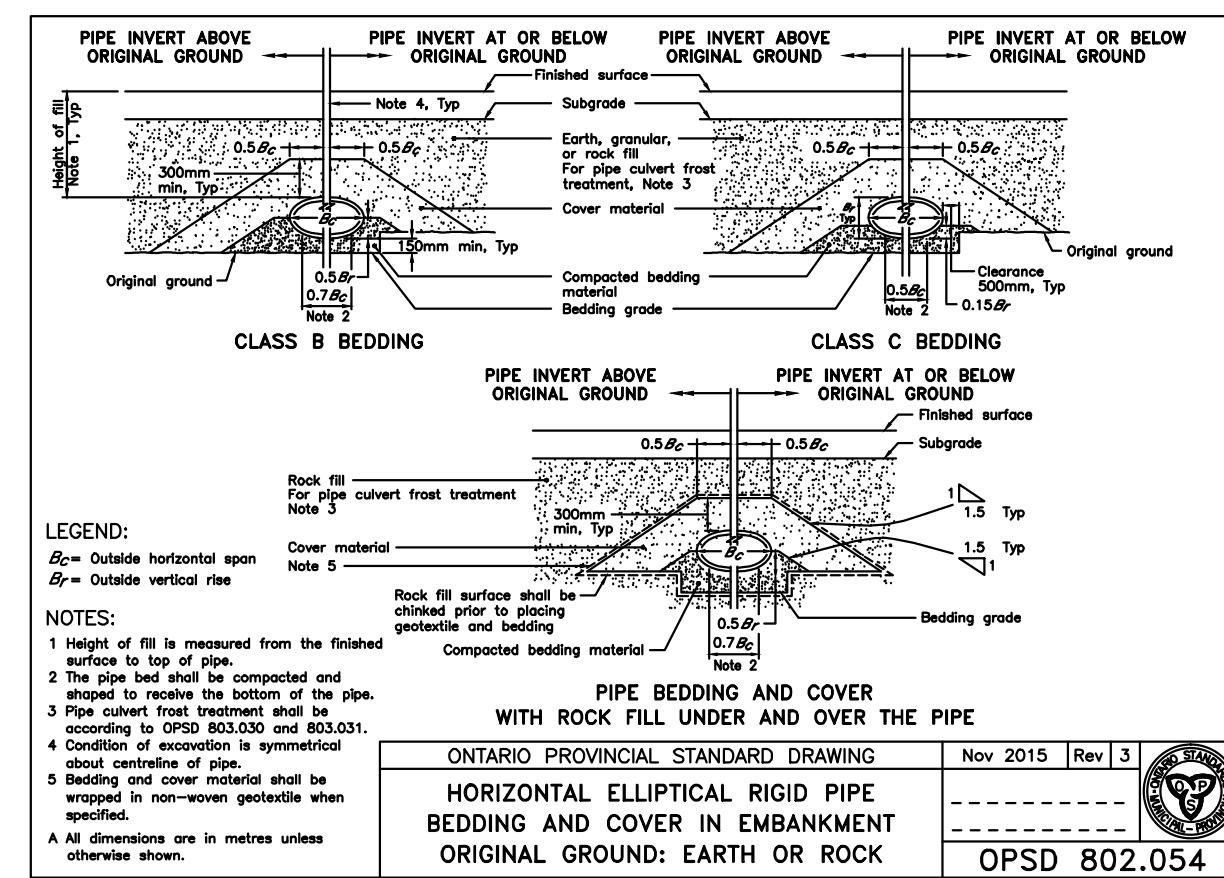
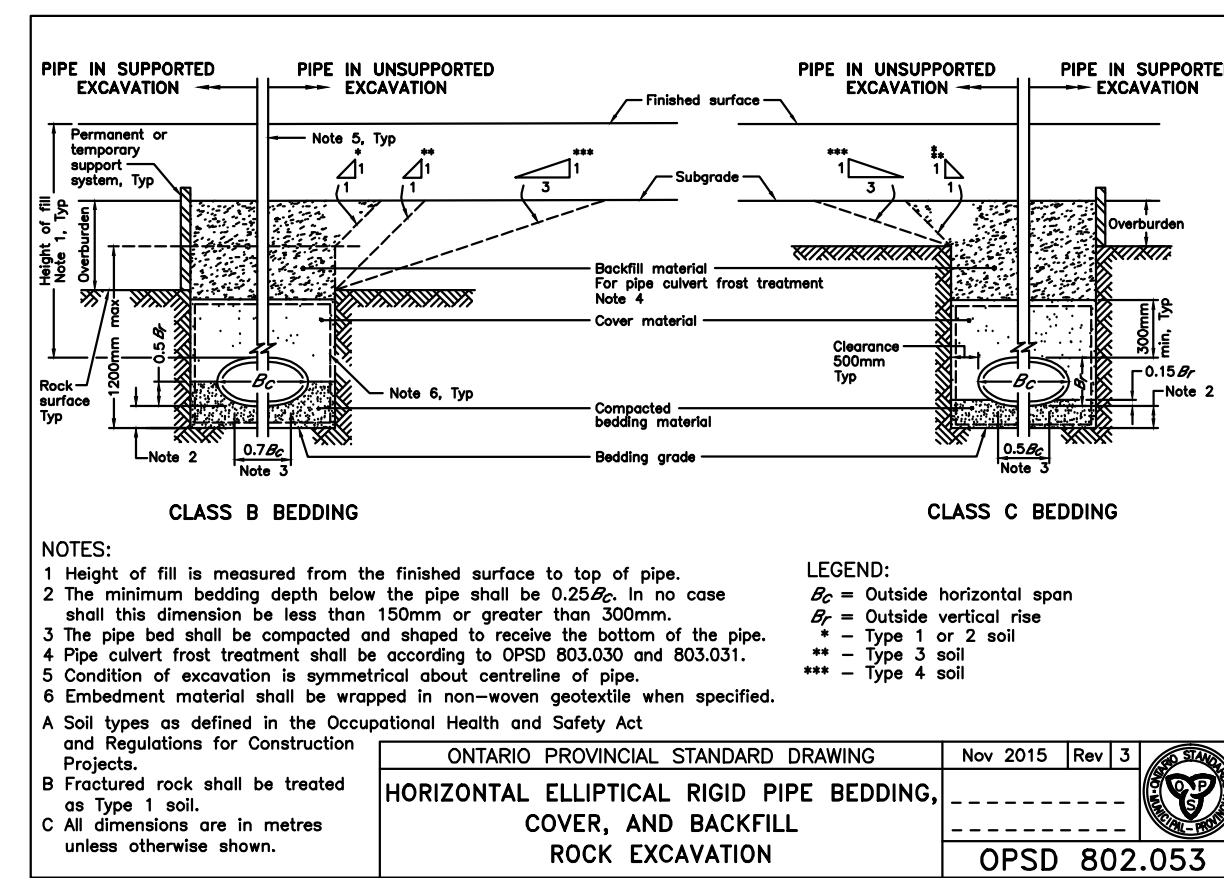
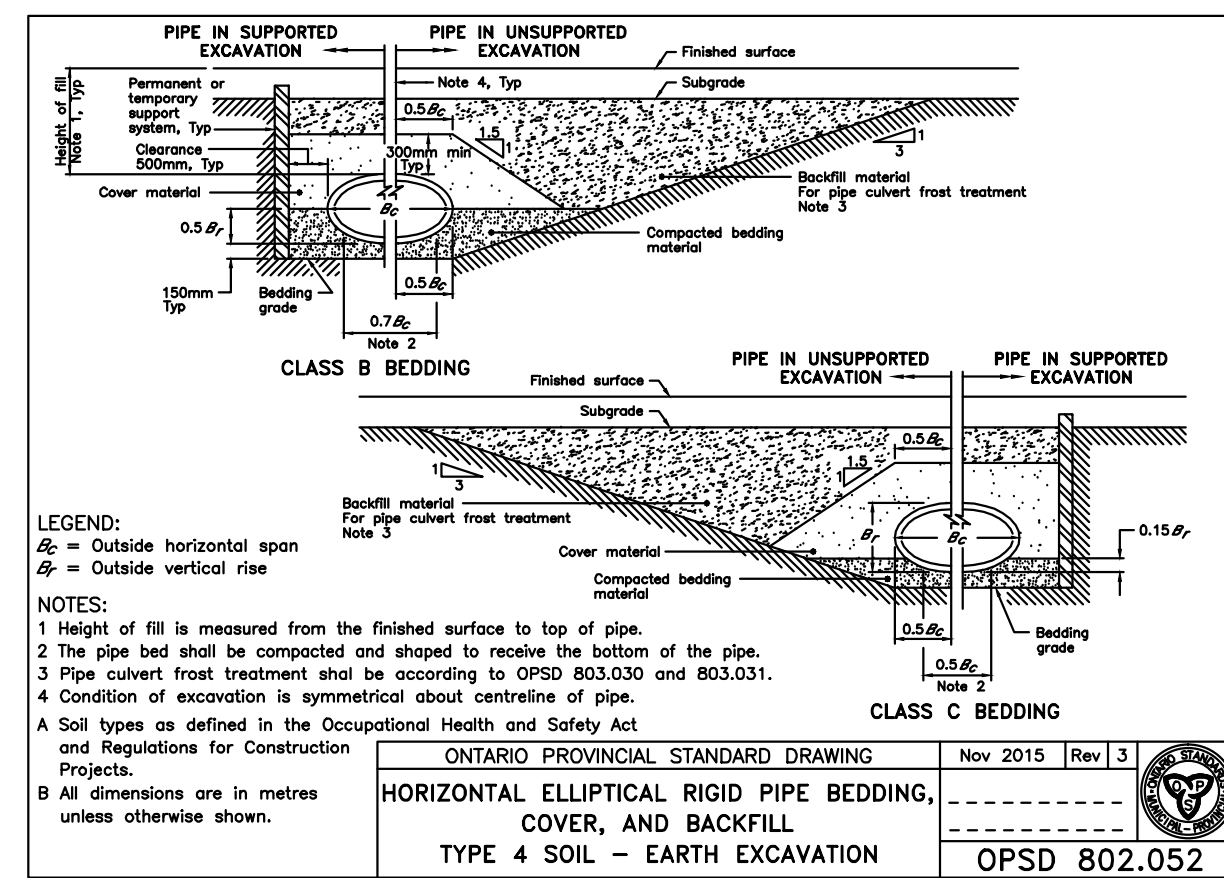
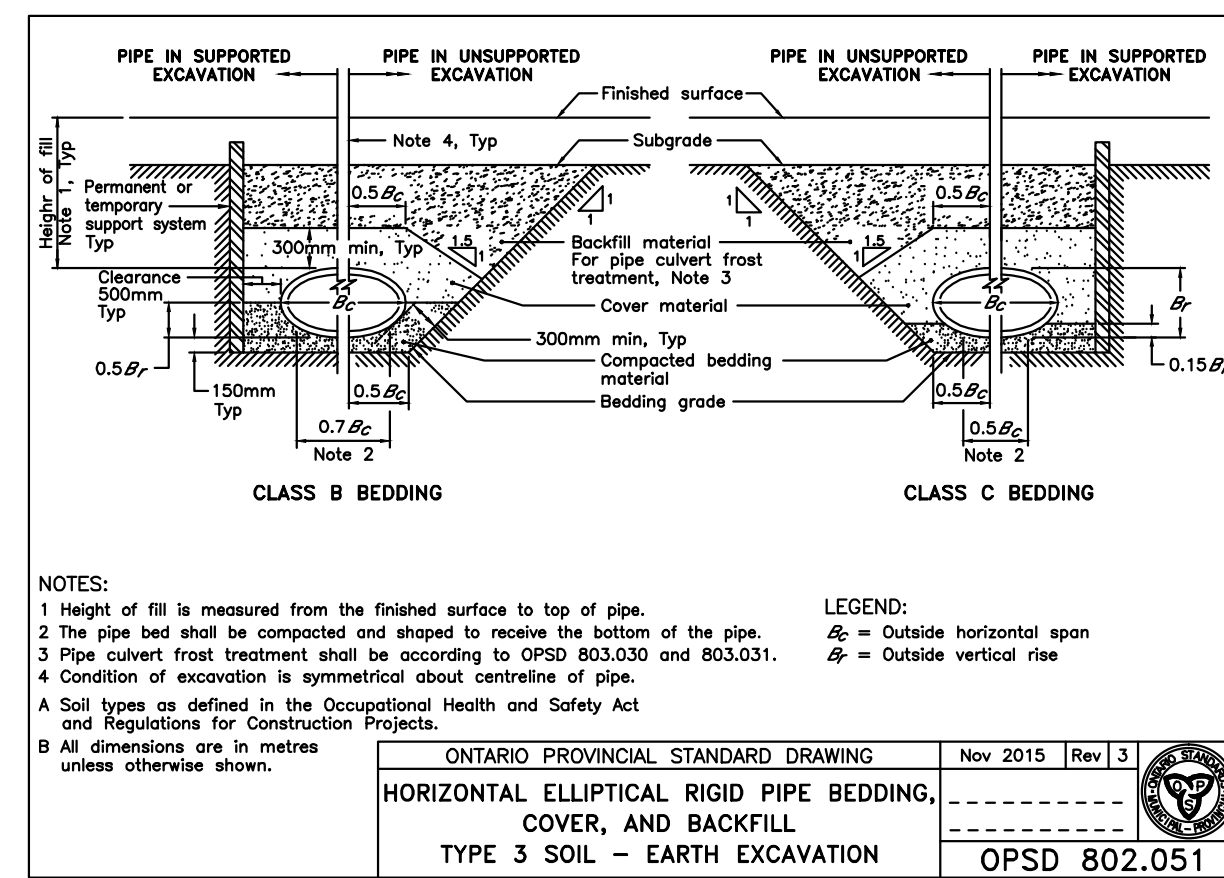
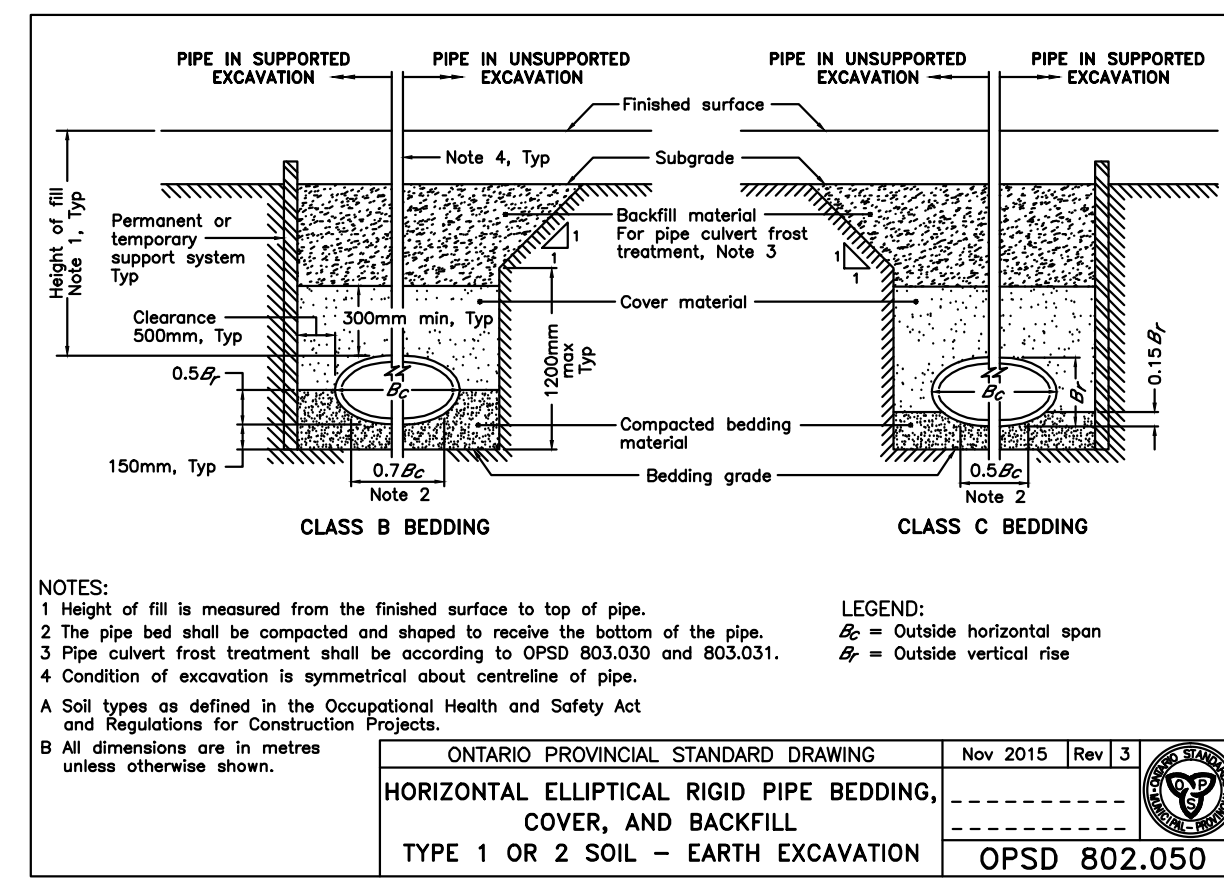
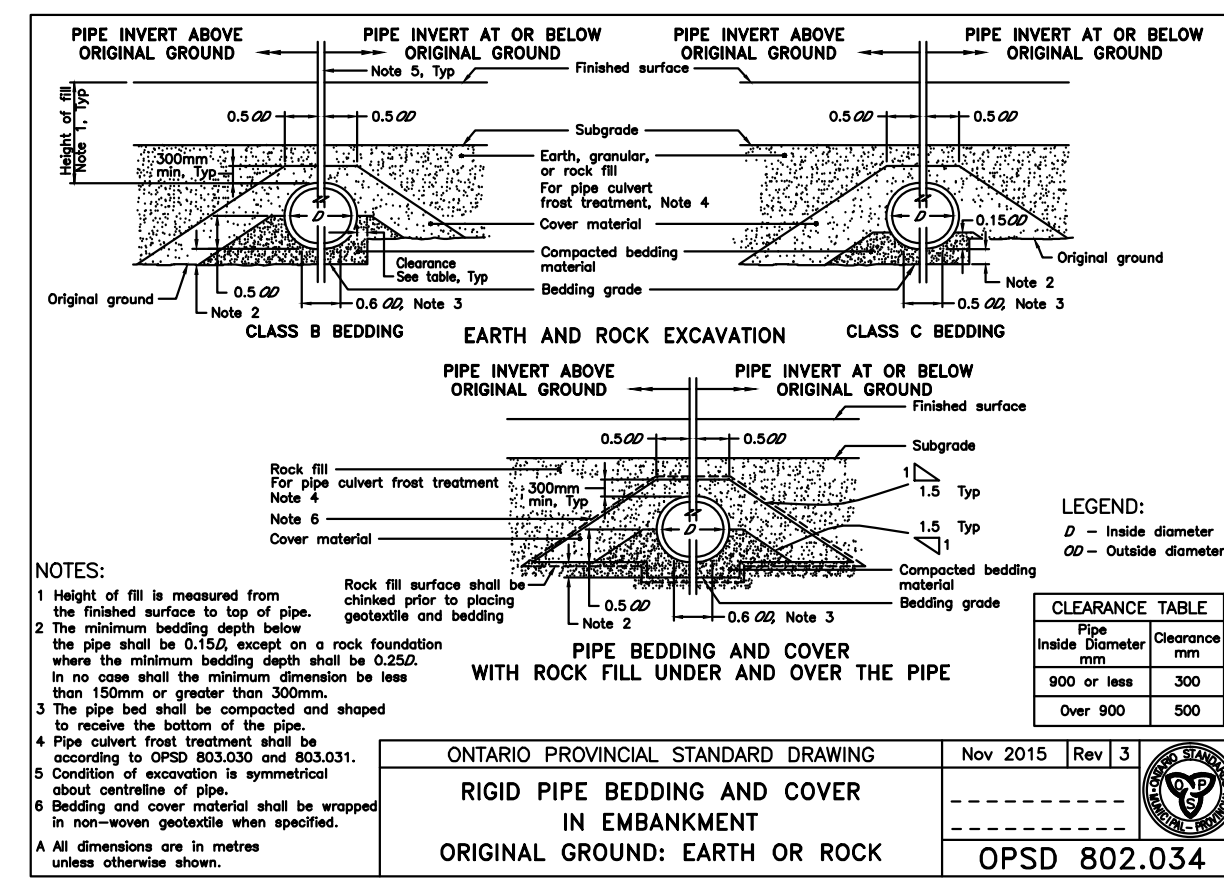
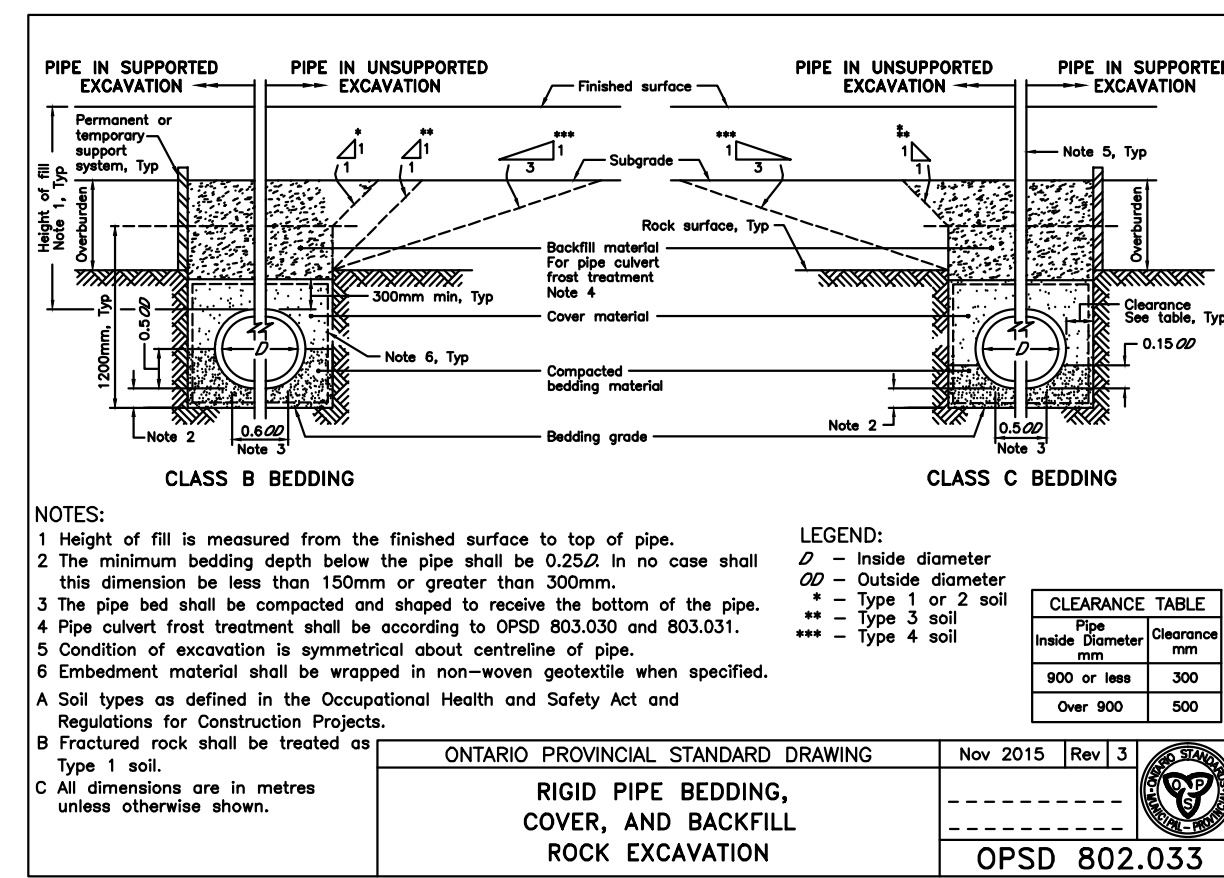
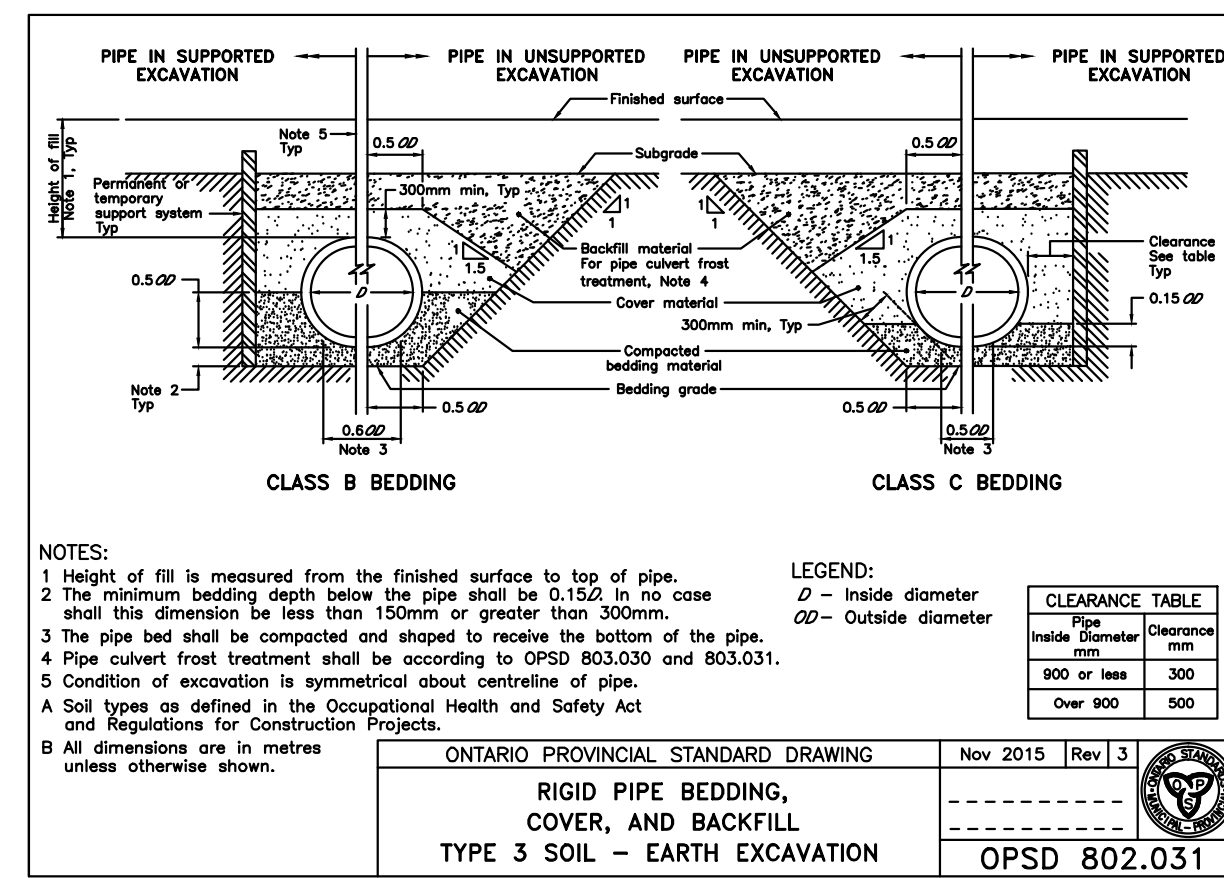
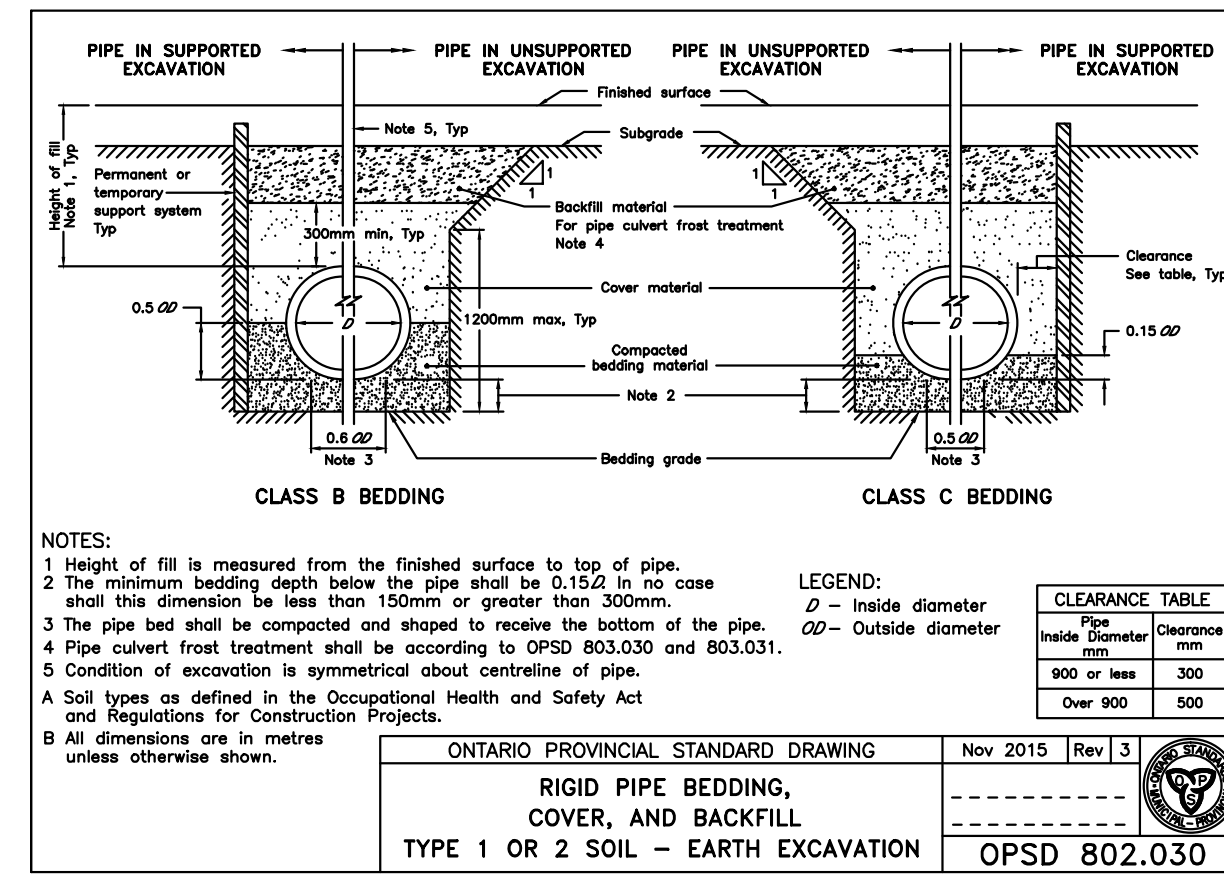
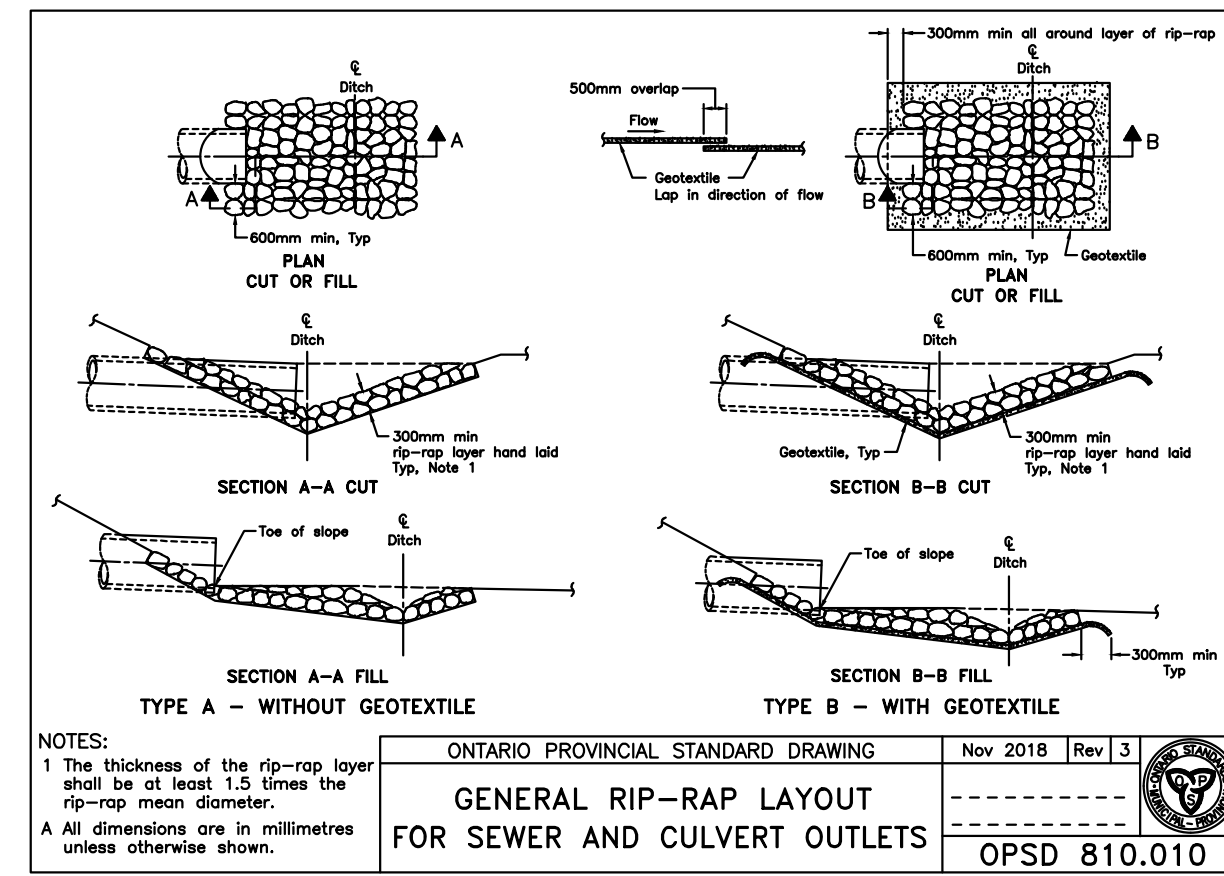
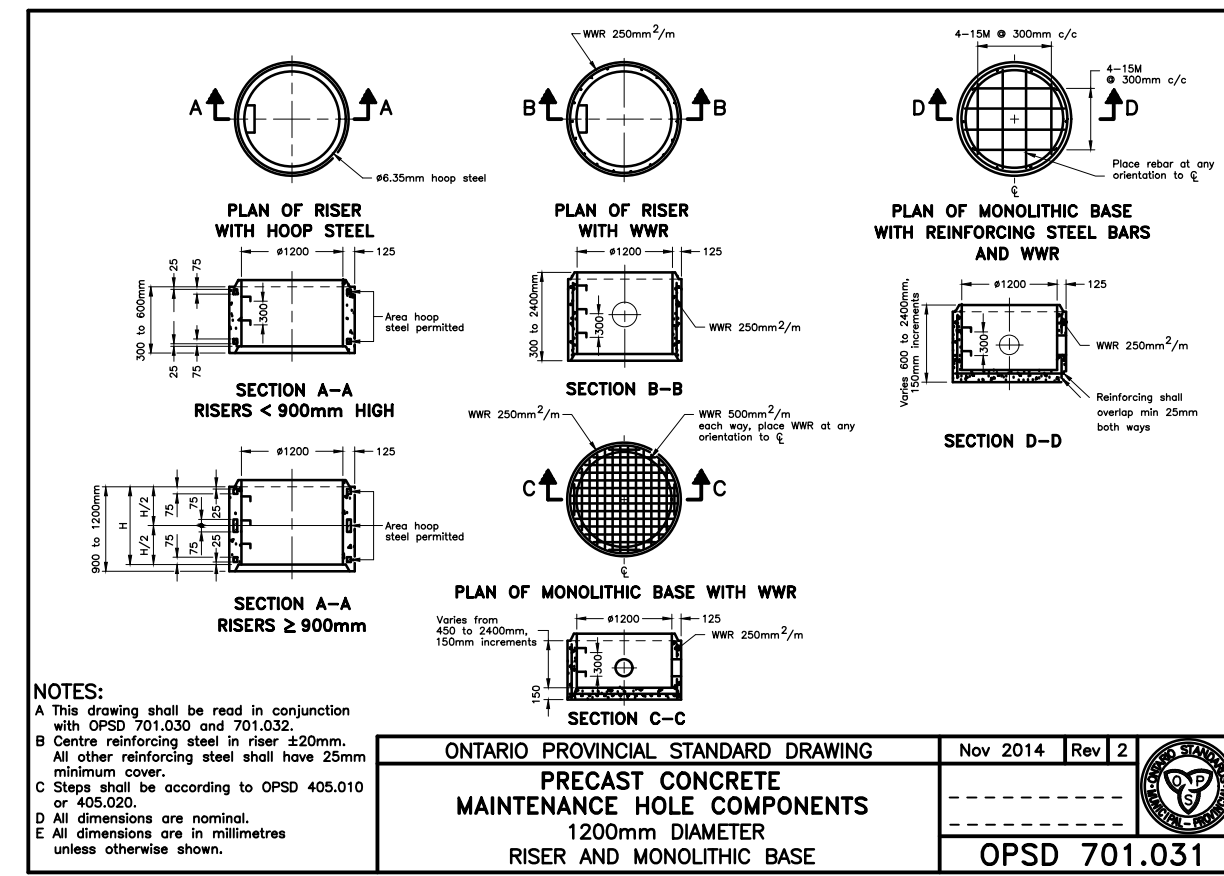
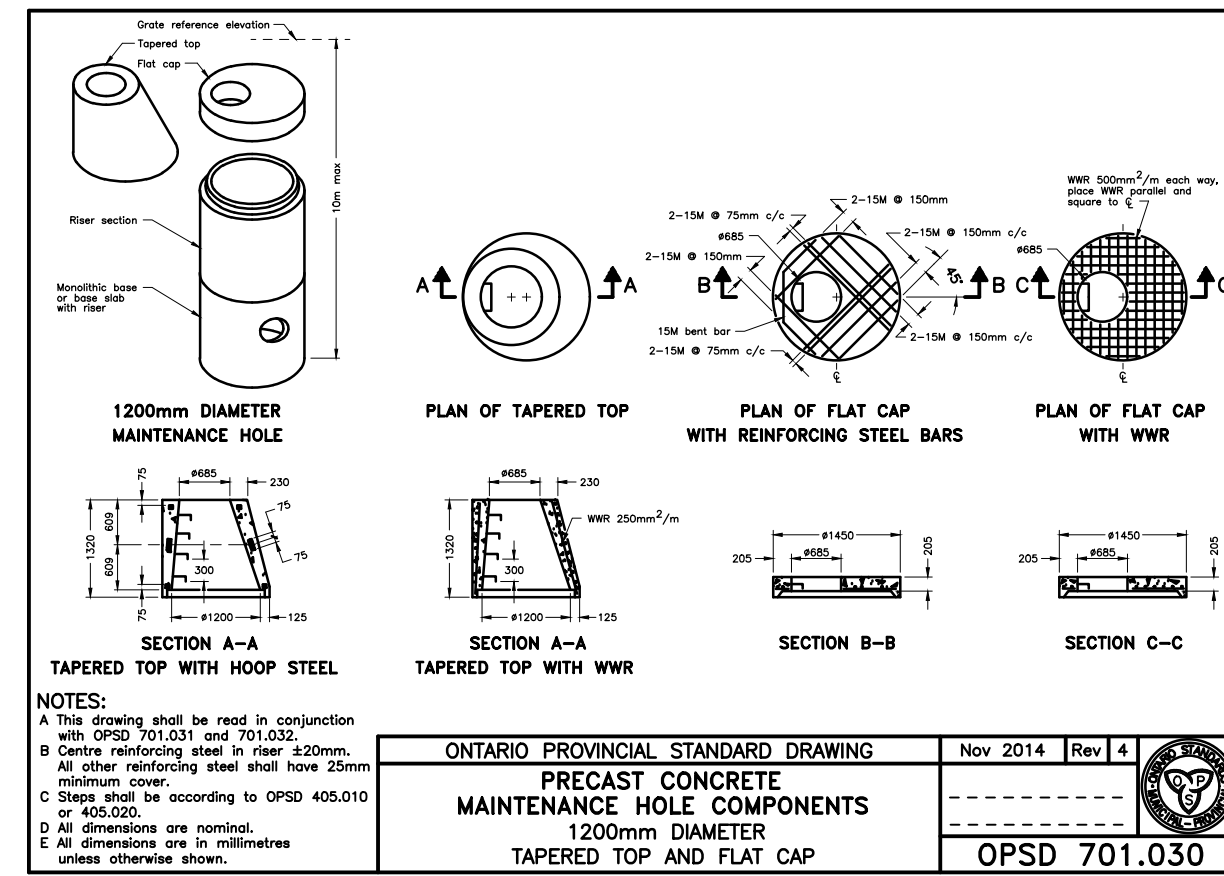
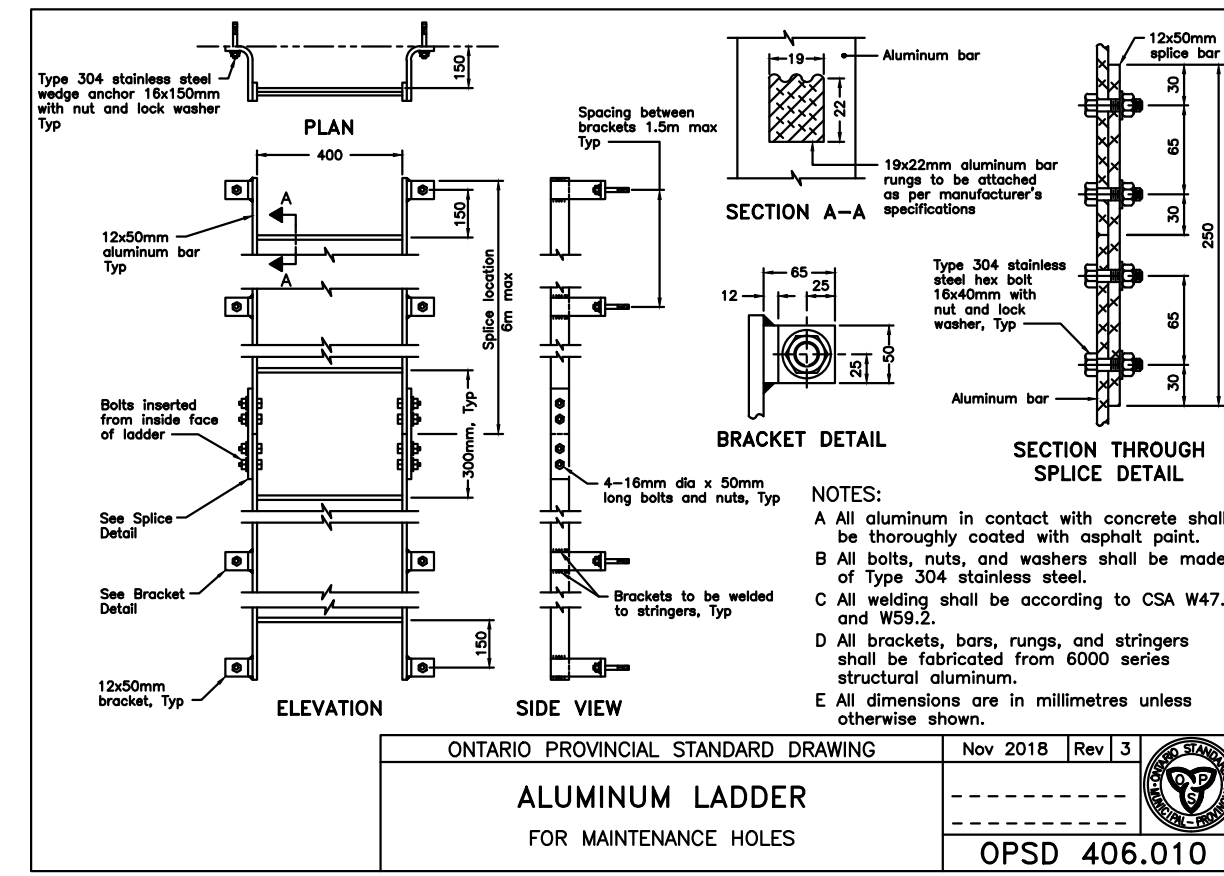
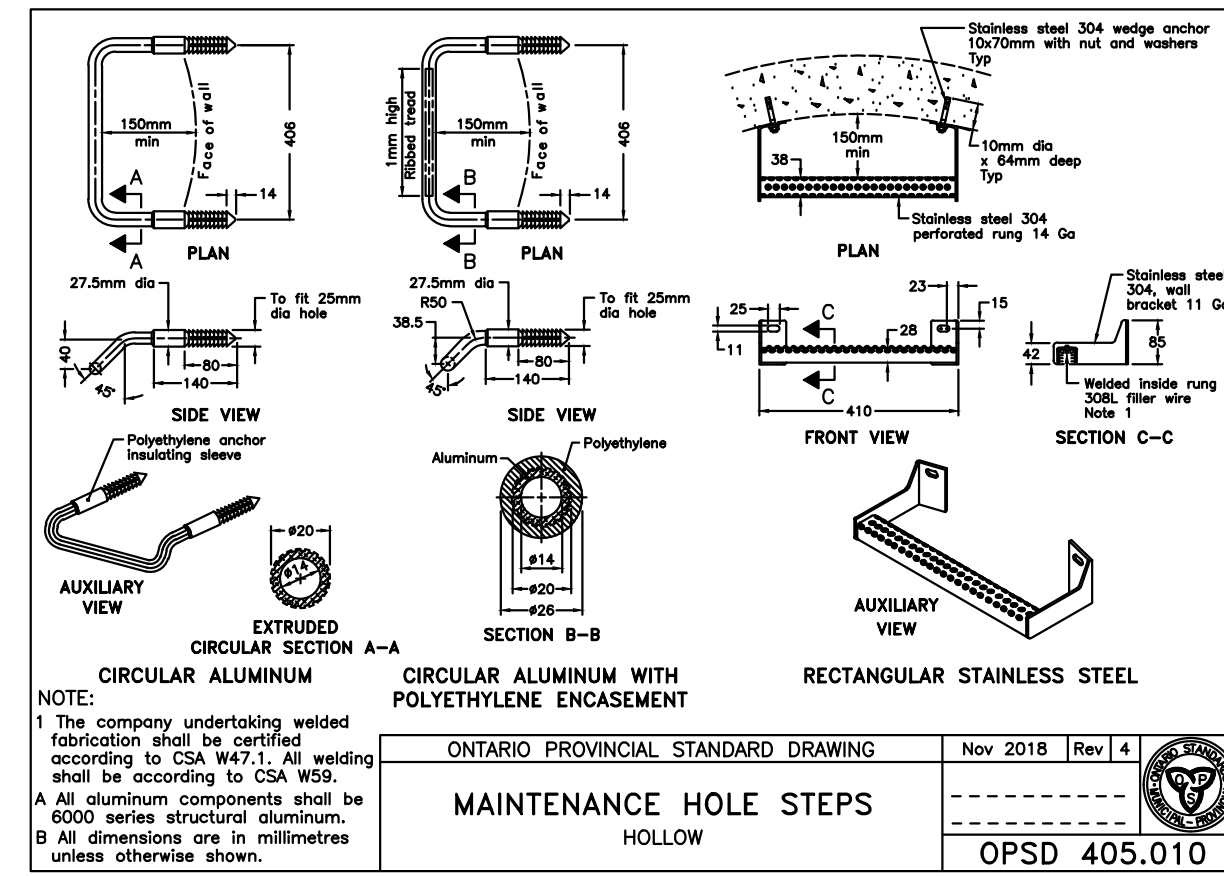
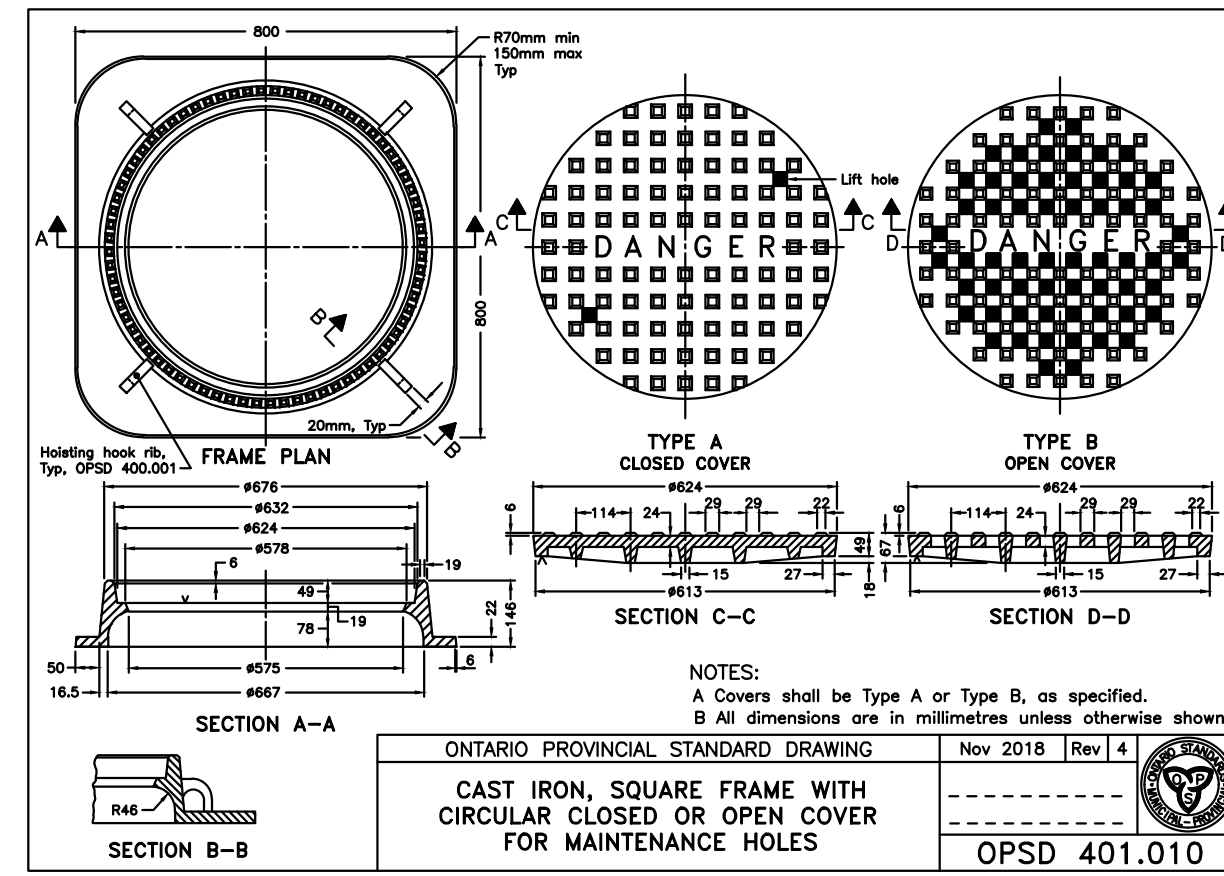
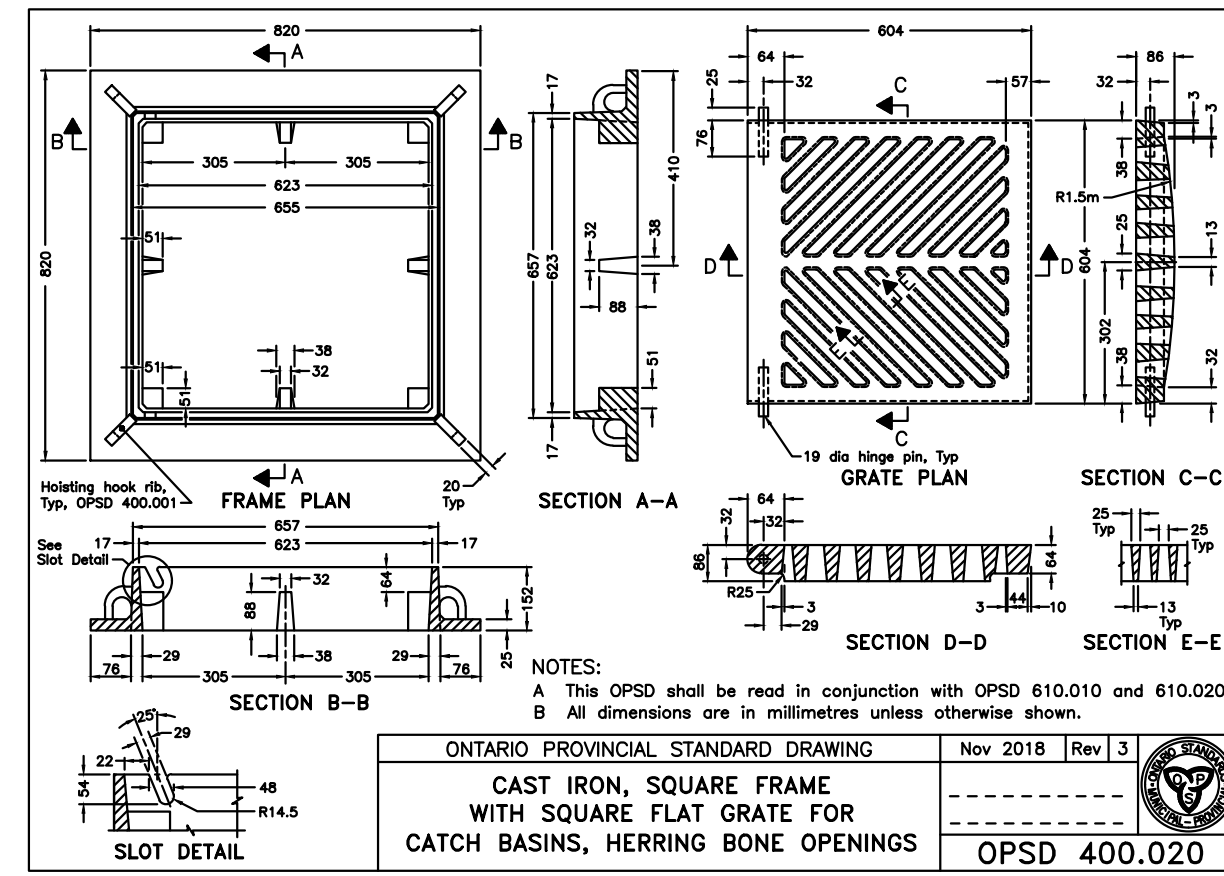
CLIENT:
Greater Napanee
 SERVICES FOR MANY REASONS

PROJECT:
NEW NAPANEE WPCP

TITLE:
O.P.S.D.'S

SCALE:	JOB NO:
AS SHOWN	22001
DESIGNED BY:	DATE:
J.B.	2025/01/23
DRAWN BY:	DRAWING NO.
K.B.W.	
CHECKED BY:	
I.M.	C0404

M:\2025\202501 - Napanee WPCP Upgrade\1 - Draw - WPCP-Civil\2025 - Production\2025 - CAD\10-4000.dwg Jan 23, 2025 - 1:55pm ET (K.W.Han)



2025/01/23	2	ISSUED FOR TENDER
2024/08/23	1	ISSUED FOR ECA APPROVAL
DATE	NO.	REVISION

THE DRAWINGS, ARRANGEMENTS, ANNOTATIONS AND GRAPHICAL PRESENTATIONS ON THIS DOCUMENT ARE THE PROPERTY OF EVB ENGINEERING WHO RETAINS OWNERSHIP AND AUTHORITY OF THIS DOCUMENT IN ITS ENTIRETY. THIS DOCUMENT IS AN INSTRUMENT OF SERVICE AND IS THE INTELLECTUAL AND PHYSICAL PROPERTY OF EVB ENGINEERING. AUTHORIZED USE OF THIS DRAWING IS GRANTED SOLELY FOR THE PURPOSE OF THIS SPECIFIC PROJECT AND LOCATION, AND NOT FOR CONSTRUCTION OR USE FOR ANY OTHER PROJECT. COPYRIGHT © 2024 EVB ENGINEERING.



CONSULTANT:
EVB ENGINEERING
 800 SECOND STREET WEST
 CORNWALL, ONTARIO CANADA, K6J 1H6
 TEL: 613-935-3773 | FAX: 613-935-6450
 WEBSITE: EVBengineering.com

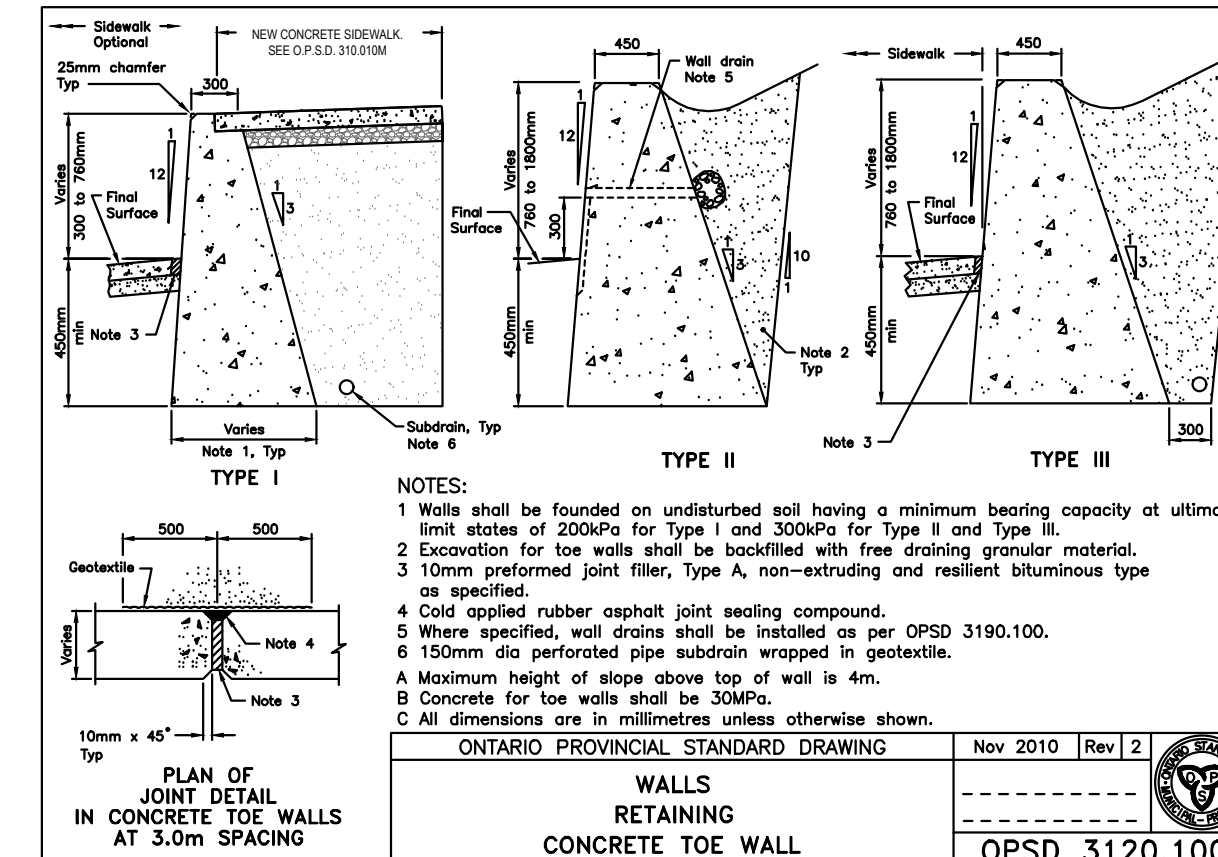
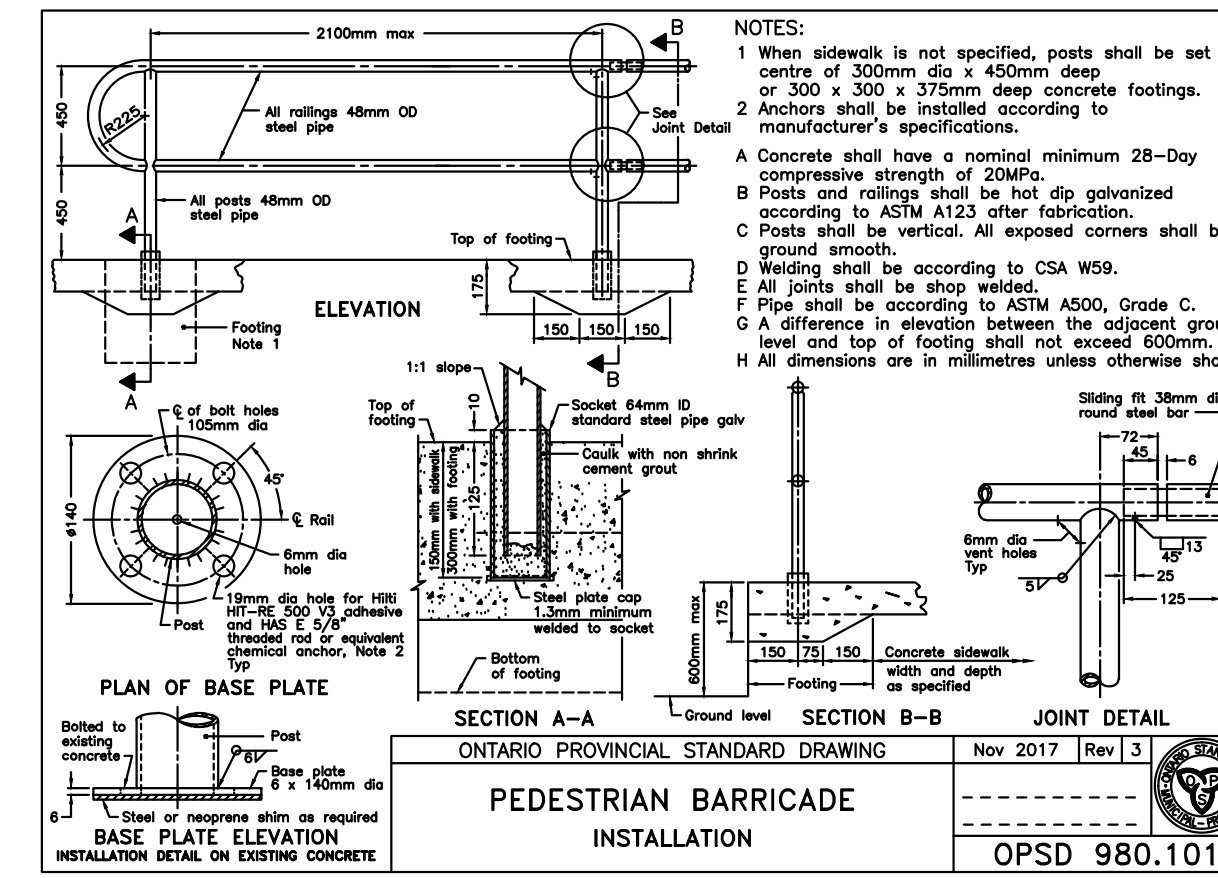
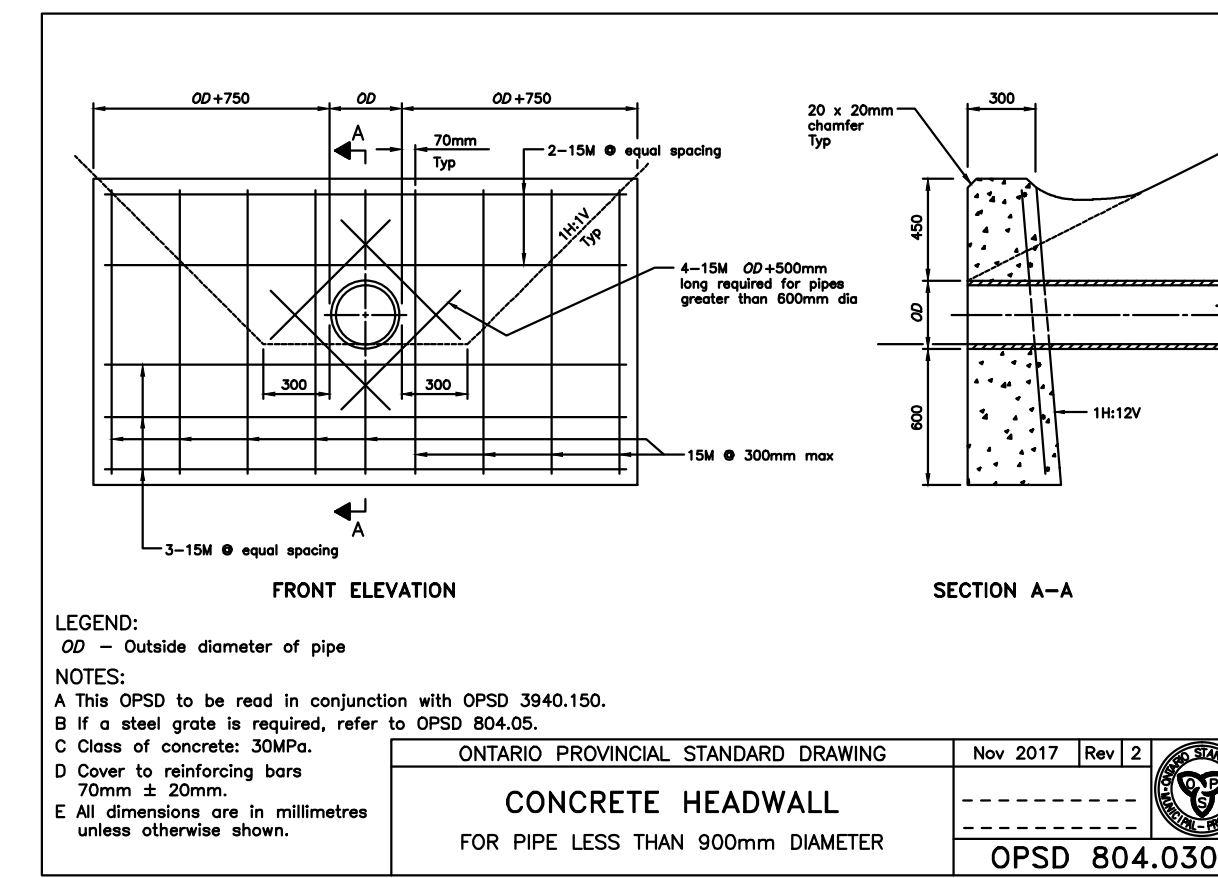
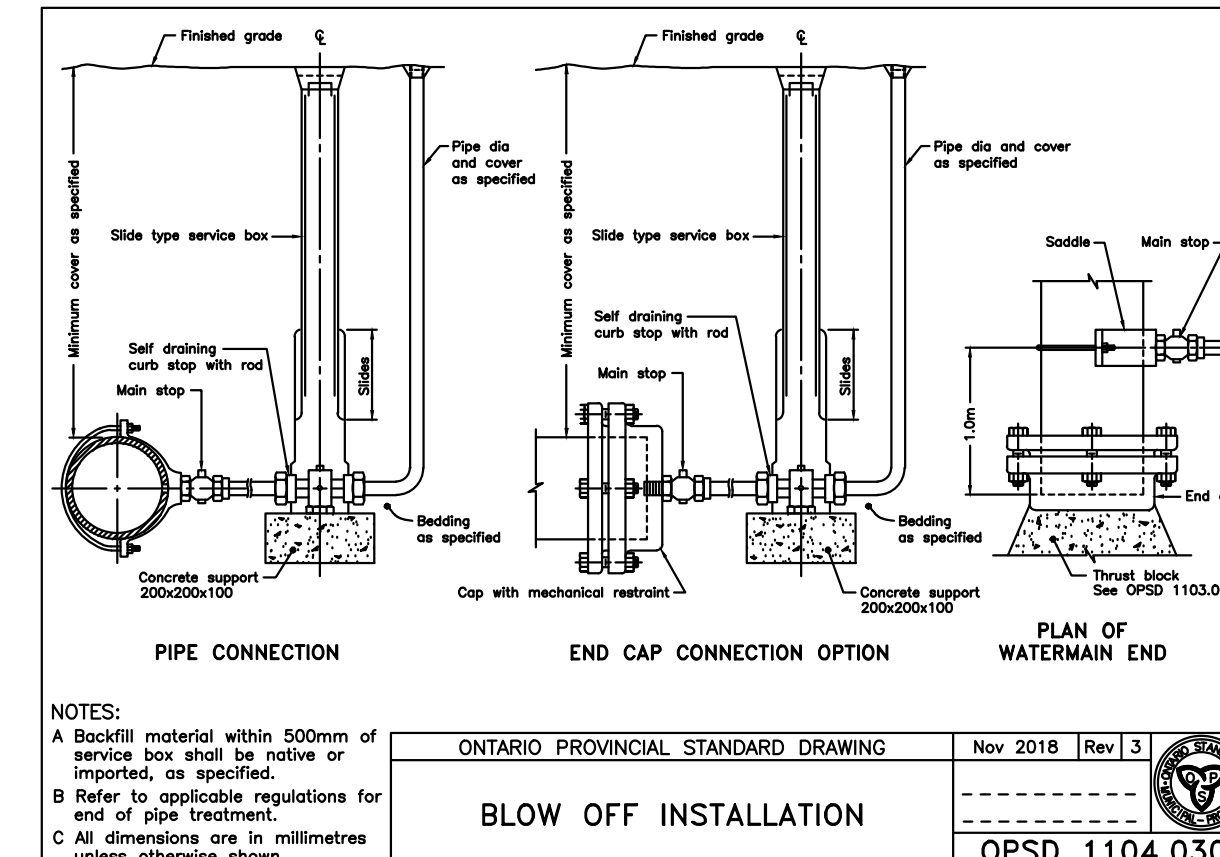
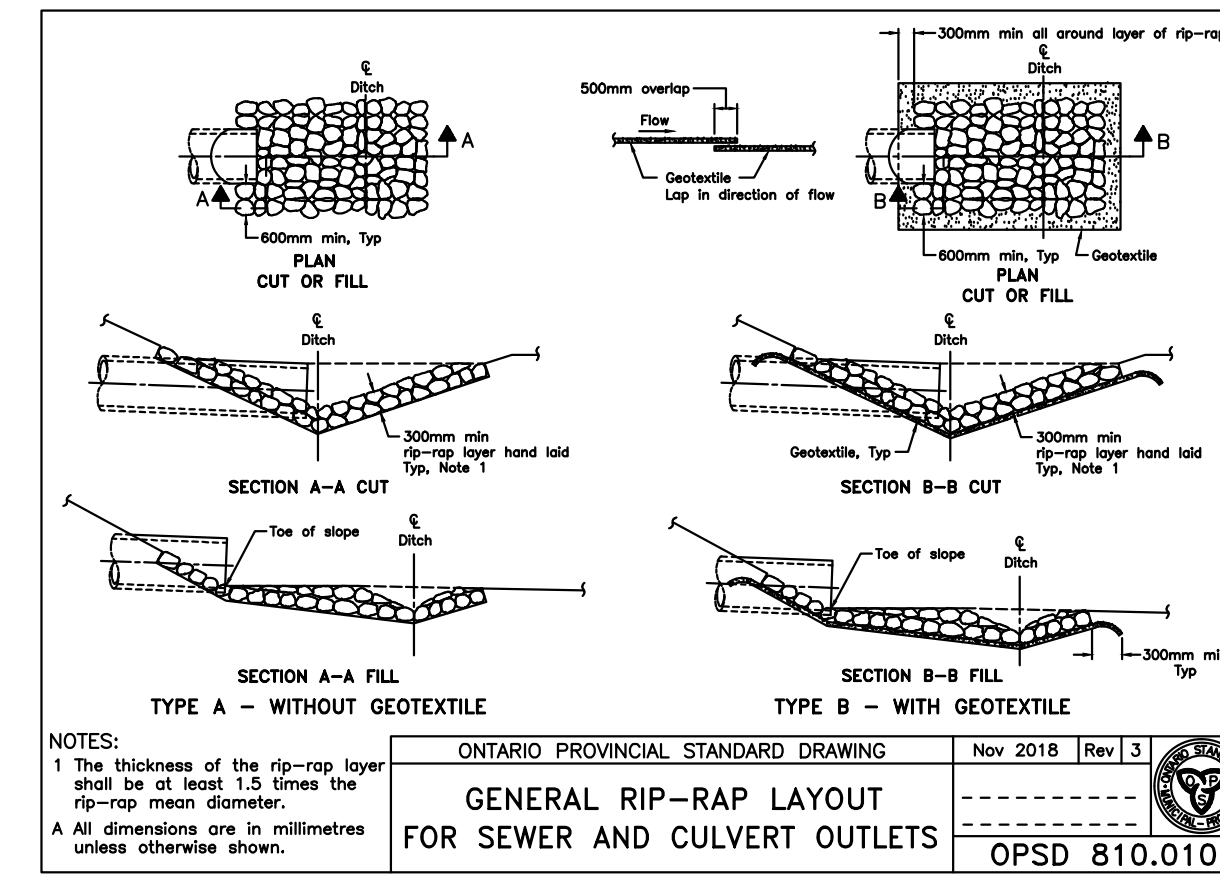
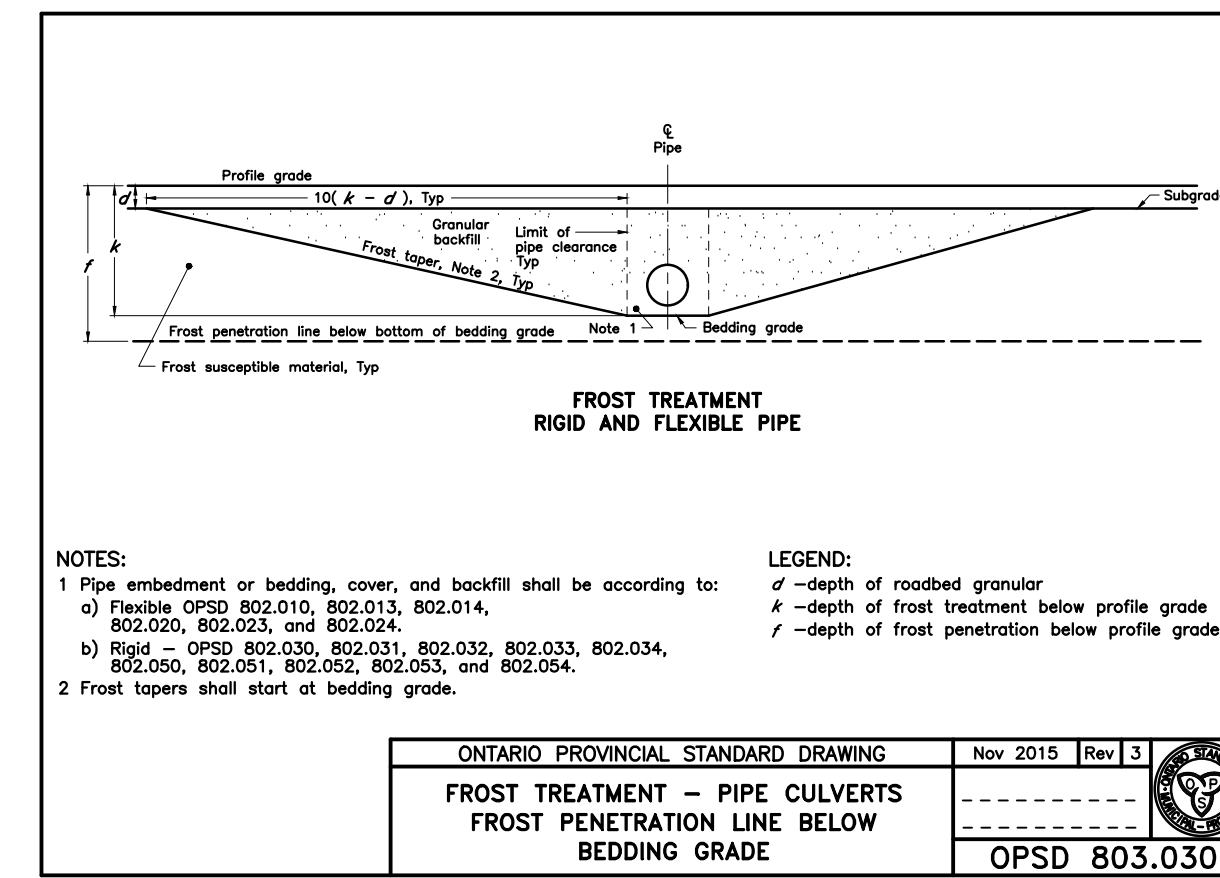
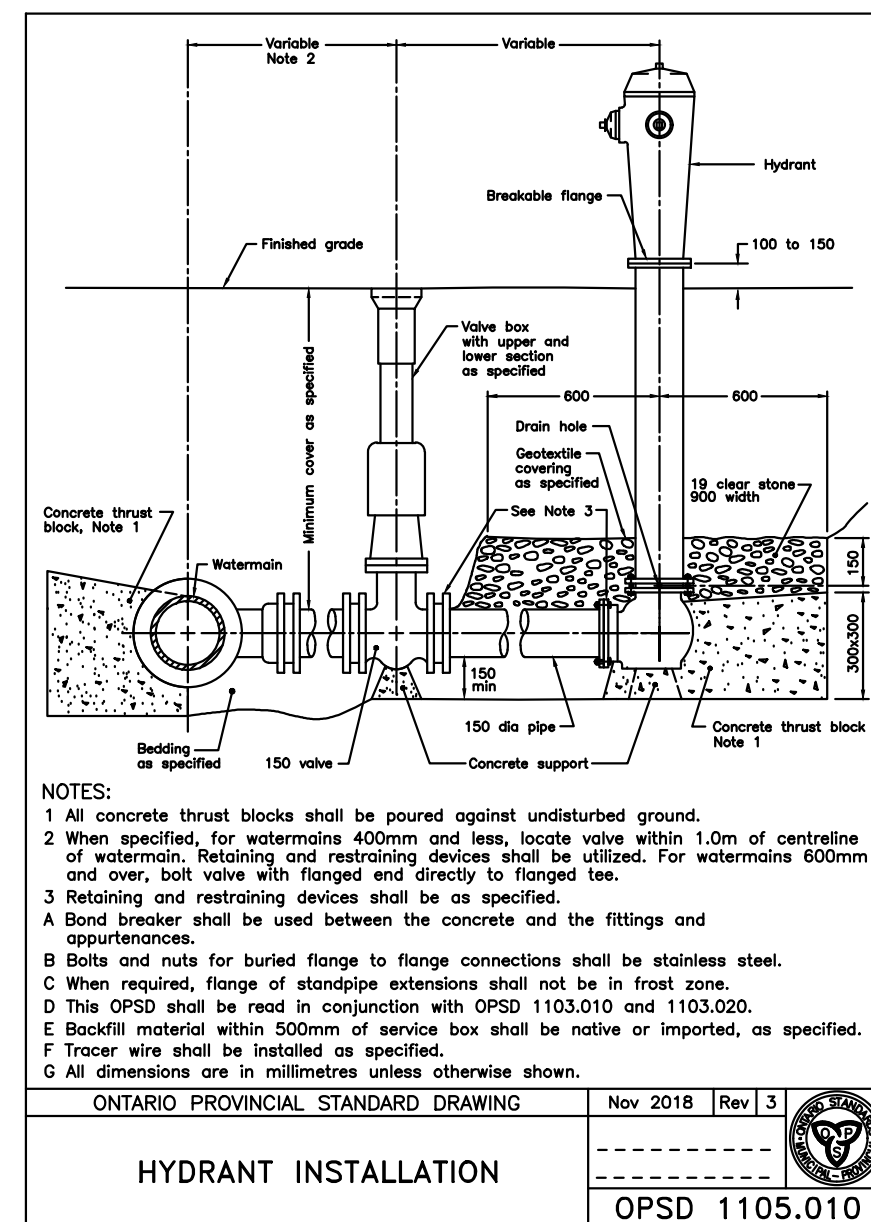
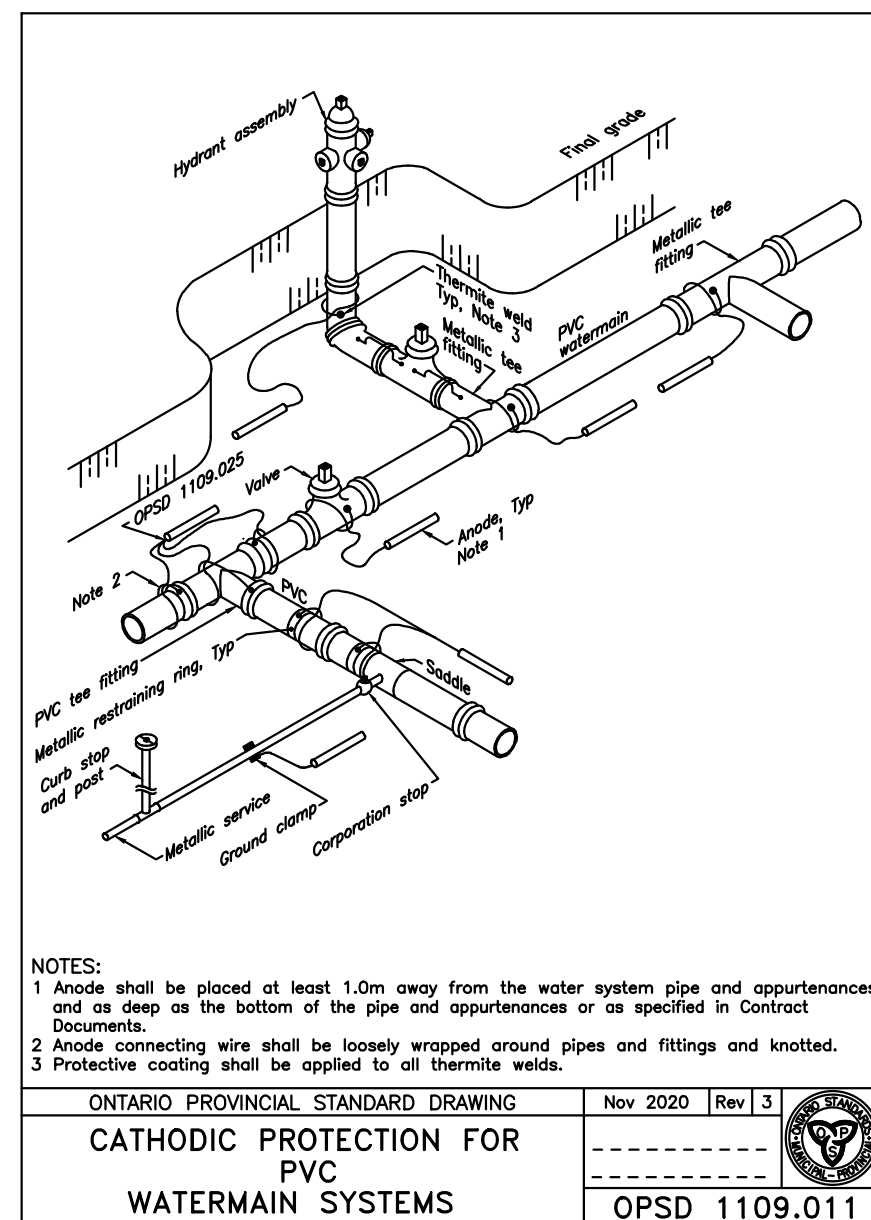
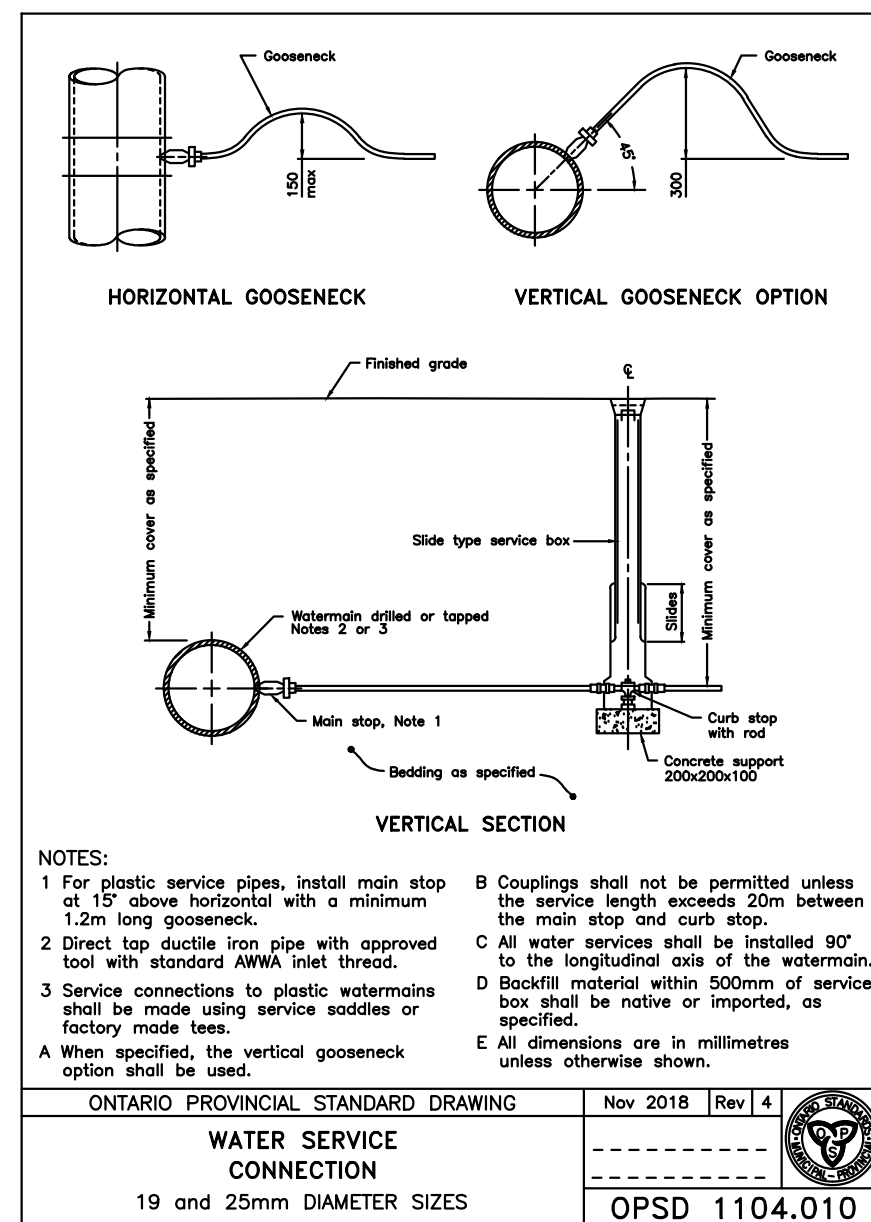


PROJECT:
NEW NAPANEE WPCP

TITLE:
O.P.S.D.'S

SCALE: AS SHOWN	JOB NO: 22001
DESIGNED BY: J.B.	DATE: 2025/01/23
DRAWN BY: K.B.W.	DRAWING NO.:
CHECKED BY: I.M.	C0405

M:\022\2025\1 - Napanee WPCP Upgrade\01 - Draw - WPCP\02 - Production\2025\01 - O.P.S.D.'S (Rev. 01).dwg Jan 24, 2025 - 1:58pm ET (Ken White)



DATE	No.	REVISION
2025/01/23	2	ISSUED FOR TENDER
2024/08/23	1	ISSUED FOR ECA APPROVAL



CONSULTANT:
EVB ENGINEERING
 800 SECOND STREET WEST
 CORNWALL, ONTARIO CANADA, K6J 1H6
 TEL: 613-935-3775 | FAX: 613-935-6450
 WEBSITE: EVBengineering.com



PROJECT:
NEW NAPANEE WPCP

TITLE:
O.P.S.D.'S

SCALE:	JOB NO:
AS SHOWN	22001
DESIGNED BY: J.B.	DATE: 2025/01/23
DRAWN BY: K.B.W.	DRAWING NO.
CHECKED BY: I.M.	C0406

M:\2025\20251 - Napanee WPCP Upgrade\E.D. Draw - WPCP\6 - Civil\2D Production\20251_C0406.dwg Jan 24, 2025 - 1:56pm ET (Ken White)

2025-01-22 1:41:27 PM Autodesk Docs://2201 - Napanee New WPCP/A24 - Napanee WPCP_Site.rvt

OVERALL GENERAL NOTES

- ALL DIMENSIONS ARE FOR REFERENCE ONLY. SITE VERIFY PRIOR TO CONSTRUCTIONS.
- MAKE GOOD ANY DAMAGE DONE DURING CONSTRUCTION TO MATCH EXISTING CONDITIONS OR BETTER.
- ALL WORK TO BE IN ACCORDANCE WITH THE 2012 ONTARIO BUILDING CODE, AND AODA REGULATIONS WHERE NOTED.
- THE CONTRACTOR SHALL VISIT THE SITE AND SHALL SATISFY THEMSELVES WITH THE ACTUAL REQUIREMENTS AND CONDITIONS FOR THE WORK, AS WELL AS ANY MEASURES REQUIRED TO COMPLETE THE WORK IN A SAFE AND RESPONSIBLE MANNER.
- THE CONTRACTOR SHALL DO ALL CUTTING, PATCHING AND REPAIRS AS REQUIRED TO ACCOMMODATE THE WORK OF ALL TRADES.
- THE CONTRACTOR SHALL REPAIR ALL FINISHES DISTURBED DURING ELECTRICAL INSTALLATION.
- FIRE STOPPING OF SERVICE PENETRATIONS-PIPING, TUBING, DUCTS, WIRING, CONDUIT, ELECTRICAL OUTLET BOXES THAT PENETRATE FIRE SEPARATION SHALL BE TIGHTLY FITTED AND SEALED WITH MINERAL WOOL, GYPSUM PLASTER OR PORTLAND CEMENT MATERIAL.
- CONSULTANT TO REVIEW PRIOR TO INSTALLATION OF CEILING AND WALLBOARD.
- ASSEMBLY CONSTRUCTIONS ARE PROVIDED FOR DESCRIPTIVE PURPOSES ONLY. ALL FIRE RESISTANT ASSEMBLIES MUST COMPLY FULLY WITH REQUIREMENTS LISTED UNDER SPECIFIC U.L.C. DESIGN No. IN THE UNDERWRITERS' LABORATORIES OF CANADA LIST OF EQUIPMENT AND MATERIALS, FIRE RESISTANCE, 2004 EDITION (U.L.C.) OR THE SPECIFIC DESIGN IN THE SUPPLEMENTARY GUIDELINES TO THE ONTARIO BUILDING CODE 2012 (O.B.C. SB-2 & SB-3).
- SEAL ALL FIRE RATED PARTITIONS TO FLOOR SLAB AND UNDERSIDE OF STRUCTURE ABOVE WITH FIRE STOP AND FIRE-PROOFING SEALANT.
- CONTRACTOR IS RESPONSIBLE TO COORDINATE THE LOCATION OF ALL FIRE SEPARATIONS WITH THE CONTRACT DOCUMENTS. ENSURE THAT ALL RATINGS ARE CONTINUOUS AND MAINTAINED FOR THE ENTIRE SEPARATION AND AT ALL PENETRATIONS.
- FIRE RESISTANCE ASSEMBLY MARKINGS: ALL RATED PARTITIONS (FIRE AND SMOKE) TO BE LABELED ABOVE FINISH CEILING WITH 100mm TALL BLOCK LETTERS INDICATING THE FIRE-RESISTANCE RATING OF THE ASSEMBLY AND THE TYPE OF ASSEMBLY. SPACE LABELS 1000mm MINIMUM APART ALONG FULL LENGTH OF WALL. MINIMUM (1) LABEL PER WALL.
- SEE DRAWINGS FOR SPECIFIC PARTITION DETAILS.
- IF CONTRACTOR CHOOSES A DIFFERENT PRODUCT THAN INDICATED ON THE U.L.C. LISTING ON THIS SCHEDULE IT WILL BE THE CONTRACTOR'S RESPONSIBILITY TO SUBMIT AN ALTERNATIVE APPROPRIATE U.L.C. LISTING FOR REVIEW AND APPROVAL AND TO COMPLY WITH ALL REQUIREMENTS OF THAT LISTING.
- IF THE U.L.C. LISTINGS CITED SHOW THE MINIMUM REQUIREMENTS TO ACHIEVE THE FIRE LISTING SHOWN, ADDITIONAL REQUIREMENTS SHOWN ON THE ASSEMBLIES SCHEDULE WHICH ARE OVER AND BEYOND WHAT IS LISTED ON THE U.L.C. LISTING ARE ALSO TO BE PROVIDED. EXAMPLES MAY INCLUDE INCREASED STUD SIZE, ADDITIONAL LAYERS OF GWB, AND / OR INSULATION.
- ALL METAL STUDS IN PARTITION WALLS TO BE EXTEND TO THE UNDERSIDE OF STRUCTURAL SLAB ABOVE.
- PROVIDE CONCEALED CONTINUOUS REINFORCEMENT AT PARTITIONS AS REQUIRED. REFER TO PLANS FOR LOCATIONS OF MILLWORK, VANITIES, SINKS, HANDRAILS, GRAB BARS AND ANY OTHER ITEMS REQUIRING REINFORCEMENT.
- COORDINATE AND PROVIDE OPENINGS FOR ARCHITECTURAL, MECHANICAL, ELECTRICAL AND STRUCTURAL PENETRATIONS. ENSURE THE INTEGRITY OF FRAMED PARTITIONS. PROVIDE LOOSE LINTELS AS REQUIRED IN MASONRY PARTITIONS.
- ALL PARTITIONS / FURRING ASSEMBLIES ARE TO EXTEND FROM TOP OF SLAB TO UNDERSIDE OF SLAB ABOVE UNLESS NOTED OTHERWISE. THIS INCLUDES AT A MINIMUM, ANY COMPONENT OF THAT ASSEMBLY THAT CARRIES FIRE RATINGS.
- AT CONCRETE BLOCK PARTITIONS PROVIDE CONTINUOUS COMPRESSIBLE JOINT FILLER BETWEEN THE BLOCK AND UNDERSIDE OF SLAB. CAULK EXPOSED JOINTS.
 - PROVIDE CONTINUOUS CAULKING ALONG PERIMETER OF GYPSUM BOARD AND AT ALL PENETRATIONS.
 - FIRESTOP ALL PENETRATIONS AT FIRE RATED SEPARATIONS.
 - ALL METAL SUPPORTS TO HAVE INTUMESCENT COATING.
- WHERE WALLS ARE COMPRISED OF MORE THAN ONE WALL TYPE, OR A COMBINATION OF WALL TYPE AND FURRING TYPE, THEY WILL BE IDENTIFIED WITH BOTH DESIGNATIONS.
- WHERE THE FLOOR ELEVATION ON ONE SIDE OF A WALL, INCLUDING A WALL AROUND A SHAFT, IS MORE THAN 600mm HIGHER THAN THE ELEVATION OF THE FLOOR OR GROUND ON THE OTHER SIDE, THE WALL SHALL BE DESIGNED TO RESIST THE APPROPRIATE LATERAL DESIGN LOADS (REFER TO OBC 2012, ARTICLE 4.1.5.16; LOADS ON WALLS ACTING AS GUARDS).

TYPICAL ABBREVIATIONS

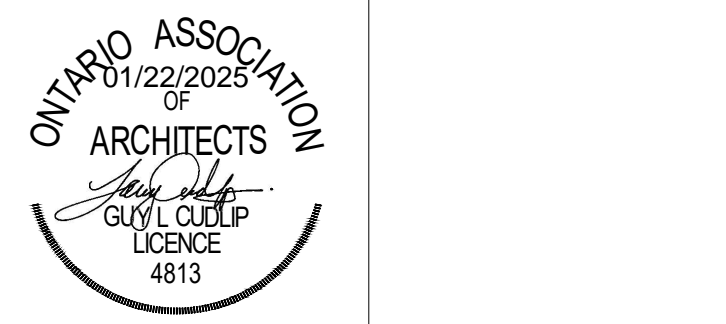
BUILDING COMPONENTS	
AB	AIR BARRIER
AVB	AIR / VAPOUR BARRIER
AU/ALUM	ANODIZED ALUMINUM
CJ	CONTROL JOINT
CNU	CONCRETE MASONRY UNIT
CONC	CONCRETE
GL	GLAZING
GWB	GYPSUM WALL BOARD
HC	HOLLOW CORE
HDRL	HANDRAIL
HM	HOLLOW METAL
LVR	PREFINISHED METAL LOUVER
MO	MASONRY OPENING
MTL	METAL
RTU	ROOF TOP UNIT
RWL	RAIN WATER LEADER
SC	SOLID CORE
ST	STEEL
SS	STAINLESS STEEL
STN	STONE
WD	WOOD
VR	VAPOUR RETARDER
VB	VAPOUR BARRIER
ELECTRICAL	
AC	AIR CONDITIONER
DO (ADO)	AUTOMATIC DOOR OPENER
DU	DUPLEX RECEPTACLE
FR	FLOOR RECEPTACLE- POWER/DATA
JB	JUNCTION BOX
KP	KEYPAD
LF	LIGHT FIXTURE
PS	PULL STATION
SW	SWITCH
TH	THERMOSTAT
TEL	TELEPHONE OUTLET
FINISHES	
ACT	ACOUSTIC CEILING TILE
ASV	ANTI SLIP VINYL
BT	BASE TRIM
CPT	CARPET TILE
CT	CERAMIC TILE
FFE	FURNITURE, FINISHES & EQUIPEMENT
LVT	LUXURY VINYL TILE
PF	PAINT FINISH
PCT	PORCELIN TILE
PTB	PORCECELIN TILE BASE
UR	URETHANE FINISH
R	RUBBER BASE
SF	SHEET FLOORING
SS	SOLID SURFACE
LVT	LUXURY VINYL TILE
MISCELLANEOUS	
AD	AREA DRAIN
ALUMT	ALUMINUM TRIM
AODA	ACCESSIBILITY FOR ONTARIANS WITH DISABILITIES ACT
AFF	ABOVE FINISHED FLOOR
A/V	AUDIO VISUAL
BF	BARRIER-FREE
BH	BORE HOLE
B/O	BACK OF
CB	CATCH BASIN
CC	CONCEALED CONDUIT
CG	CORNER GUARD
CFC	CONCEALED FLEXIBLE CONDUIT
CLR	CLEAR
CR	CONCEALED RACEWAY
CONT.	CONTINUOUS
C/W	COMPLETE WITH
EBF	EXPOSED BUILDING FACE
EHD	ELECTRIC HAND DRYER
ELECT	ELECTRICAL
EJ	EXPANSION JOINT
E.O.	EDGE OF
ER	ELECTRICAL RECEPTACLE
EX	EXISTING
EXT	EXTERIOR
FD	FLOOR DRAIN
FE	FIRE EXTINGUISHER
FH	FIRE HYDRANT
FHC	FIRE HOSE CABINET
F.F.	FINISHED FRAME
F.O.	FACE OF
GB	GRAB BAR
GC	GENERAL CONTRACTOR
GL	GLAZING
GP	GLAZED PARTITION
L	LENGTH
L.D.	LIMITING DISTANCE
MECH	MECHANICAL
MH	MAN HOLE
MAX	MAXIMUM
MIN	MINIMUM
MO	MASONRY OPENING
NIC	NOT IN CONTRACT
O.B.C.	ONTARIO BUILDING CODE
O/C	ON CENTRE
OPNG	OPENING
PLY	PLYWOOD
P.T.	PRESSURE TREATED
PTD	PAPER TOWEL DISPENSER
RCP	RADIANT CEILING PANEL
RD	ROOF DRAIN
REINF.	REINFORCE
REQ	REQUIRED
RM	ROOM
RSI	THERMAL RESISTANCE VALUE (SI UNITS)
RV	REVEAL
SD	SOAP DISPENSER
SH	SHELF
SI	INTERNATIONAL SYSTEM OF UNITS
SMC	SURFACE MOUNTED CONDUIT
SND	SANITARY NAPKIN DISPENSER
SOG	SLAB ON GRADE
SUSP	SUSPENDED
TB	TOWEL BAR
THK	THICK
T/O	TOP OF
TPD	TOILET PAPER DISPENSER
TYP	TYPICAL
US	UNDERSIDE
U.L.C.	UNDERWRITERS LABORATORIES OF CANADA
UV	ULTRA VIOLET
VEST	VESTIBULE
VIF	VERIFY IN FIELD
W	WIDTH
W/	WITH
WB	WHITEBOARD
WC	WATER CLOSET
WR	WASHROOM

SYMBOL LEGEND

	PROPOSED GRIDLINE		FLOORING MATERIAL TRANSITION		ROOM NAME & NUMBER
	GROUND FLOOR 775.000 000.000		MATERIAL TAG		ROOM NUMBER
	FLOOR LEVEL DATUM		REVISION NUMBER		UNIT / FLOOR DESIGNATOR
	MILLWORK		ELEVATION DATUM		AREA / BUILDING DESIGNATOR
	DOOR NUMBER		DETAIL REFERENCE		DETAIL NUMBER
	FLOOR TAG		EXTERIOR ELEVATION		SCALE: View Scale
	WALL TAG		INTERIOR ELEVATION		DRAWING SHEET NUMBER
	ROOF TAG				WALL SECTION REFERENCE
	CEILING TAG				BUILDING SECTION REFERENCE
	WINDOW TAG				
	KEYNOTE TAG				

DATE	NO.	REVISION
2025/01/23	2	ISSUED FOR TENDER
2024/06/23	1	ISSUED FOR ECA APPROVAL

THE DRAWINGS, ARRANGEMENTS, ANNOTATIONS AND GRAPHICAL PRESENTATIONS ON THIS DOCUMENT ARE THE PROPERTY OF EVB ENGINEERING WHO RETAINS OWNERSHIP AND AUTHORITY OF THIS DOCUMENT. BY ITS ENTRY INTO THIS DOCUMENT IS AN INSTRUMENT OF SERVICE AND IS THE INTELLECTUAL AND PHYSICAL PROPERTY OF EVB ENGINEERING. AUTHORIZED USE OF THIS DRAWING IS GRANTED SOLELY FOR THE PURPOSE OF THIS SPECIFIC PROJECT AND LOCATION, AND NOT FOR CONSTRUCTION OR USE FOR ANY OTHER PROJECT. COPYRIGHT © 2024 EVB ENGINEERING.



CONSULTANT:

800 SECOND STREET WEST
CORNWALL, ONTARIO CANADA, K6J 1H6
TEL: 613-935-3775 | FAX: 613-935-6450
WEBSITE: EVBengineering.com

SUB-CONSULTANT:

C2 Architecture Inc.
415 Baseline Road West
Bowmanville, ON L1C 5M2
☎ 905.697.4464

CLIENT:

Greater Napanee
CREATING FOR SMART BUSINESS

PROJECT:

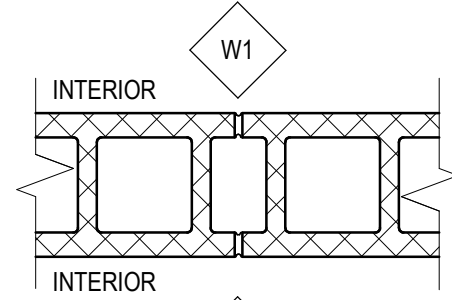
NEW NAPANEE WPCP

TITLE:

GENERAL NOTES, SYMBOLS, & ABBREVIATIONS

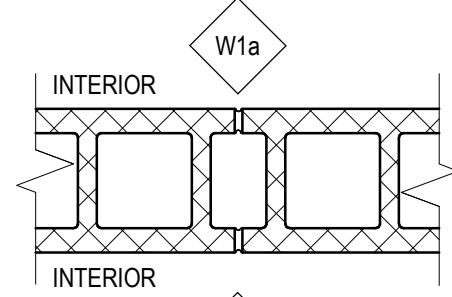
SCALE: As indicated	JOB NO: 22001
DESIGNED BY: LC	DATE: 2025/01/23
DRAWN BY: BB / CH	DRAWING NO. A0001
CHECKED BY: JB	

WALL TYPES



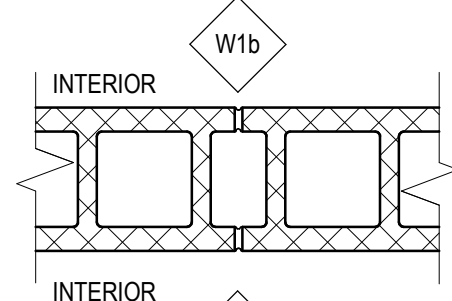
TYPE W1

- 2 HR FIRE-RATED (OBC SB-2: TABLE 2.1.1.)
- 190mm LIGHTWEIGHT CONCRETE MASONRY UNITS EXTEND TO U/S OF STRUCTURAL DECK



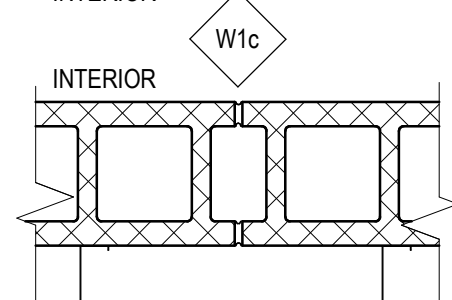
TYPE W1a

- 1 HR FIRE-RATED (OBC SB-3: TABLE 1 - B1b)
- 190mm CONCRETE MASONRY UNITS EXTEND TO U/S OF STRUCTURAL DECK



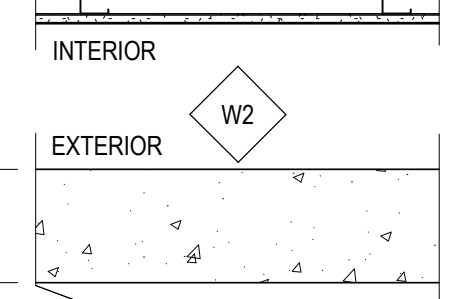
TYPE W1b

- 190mm CONCRETE MASONRY UNITS (REFER TO STRUCTURAL FOR WALL TOP SUPPORTS) EXTEND TO 150mm ABOVE FINISHED CEILING.



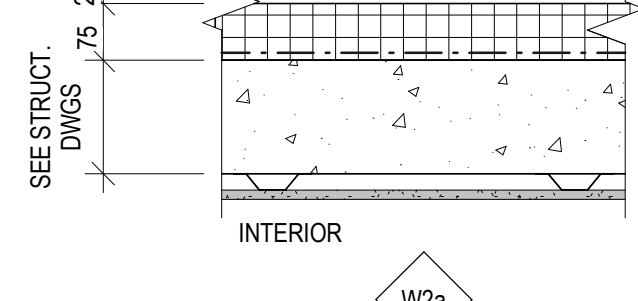
TYPE W1c

- 190mm CONCRETE MASONRY UNITS OR CAST-IN-PLACE CONCRETE (REFER TO STRUCTURAL)
- 38x92mm METAL STUDS @ 400mm O/C
- 13mm MOISTURE RESISTANT GWB, TAPE, FILL, PRIME, FINISH 2 COATS
- EXTEND TO U/S FINISHED CEILING



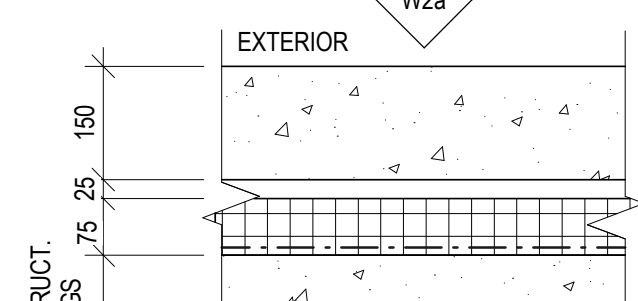
TYPE W2

- 150mm PRECAST CONCRETE WALL PANEL
- 25mm AIR SPACE
- 75mm RIGID INSULATION
- AIR VAPOUR BARRIER
- NEW CAST-IN-PLACE CONCRETE, SEE STRUCT. DWGS FOR THICKNESS
- 22mm FURRING HAT CHANNELS
- 13mm GWB, TAPE, FILL, PRIME, FINISH 2 COATS



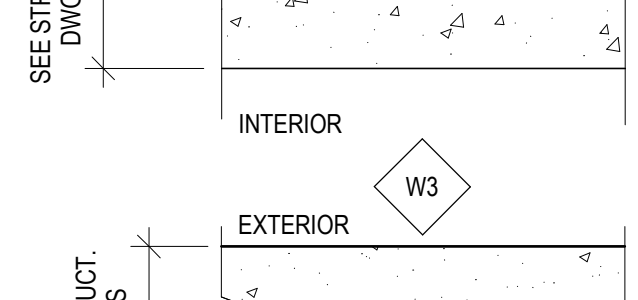
TYPE W2a

- 150mm PRECAST CONCRETE WALL PANEL
- 25mm AIR SPACE
- 75mm RIGID INSULATION
- AIR VAPOUR BARRIER
- NEW CAST-IN-PLACE CONCRETE, SEE STRUCT. DWGS FOR THICKNESS



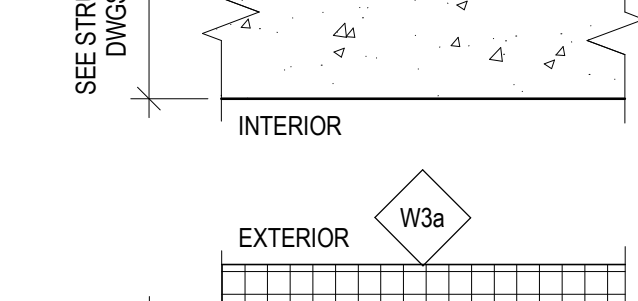
TYPE W3

- NEW CAST-IN-PLACE CONCRETE, SEE STRUCT. DWGS FOR THICKNESS AND REINFORCING



TYPE W3a

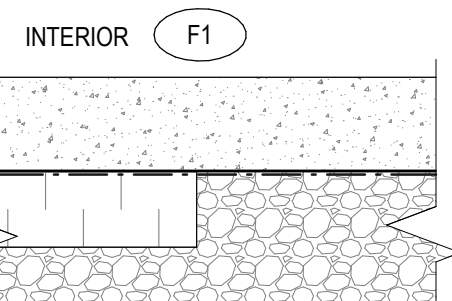
- 75mm RIGID INSULATION (CARRY TO T/O FOOTINGS)
- VERTICAL DRAINAGE BOARD
- WATER PROOFING MEMBRANE
- NEW CAST-IN-PLACE CONCRETE, SEE STRUCT. DWGS FOR THICKNESS



TYPE W3b

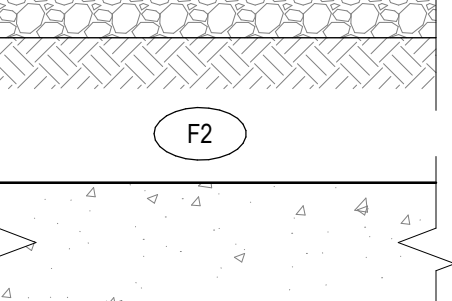
- NEW CAST-IN-PLACE CONCRETE, SEE STRUCT. DWGS FOR THICKNESS AND REINFORCING
- 22mm FURRING HAT CHANNELS
- 13mm GWB, TAPE, FILL, PRIME, FINISH 2 COATS

FLOOR TYPES



TYPE F1 (SLAB ON GRADE)

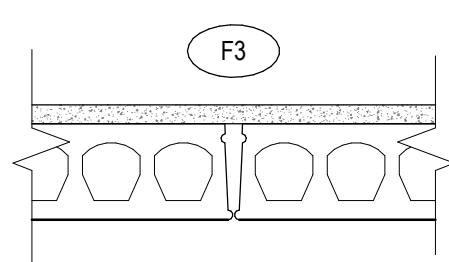
- CONCRETE SLAB ON GRADE (REFER TO STRUCTURAL)
- UNDERSLAB VAPOUR RETARDER
- 100mm UNDERSLAB RIGID INSULATION @ PERIMETER OF SLAB ON GRADE (1220mm WIDTH FROM FOUNDATION WALL)
- GRANULAR-B FILL (REFER TO GEOTECH)



TYPE F2 (SUSPENDED)

- SEE ROOM SCHEDULE FOR FINISHED COATING.
- NEW CAST-IN-PLACE CONCRETE
- SEE STRUCT. DWGS FOR THICKNESS AND REINFORCING

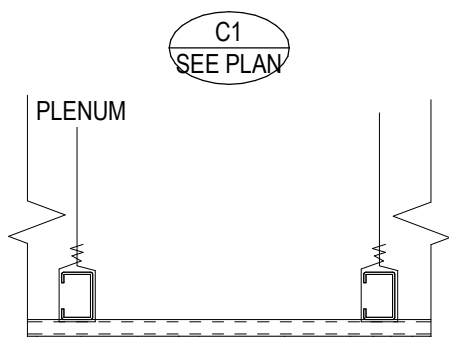
FLOOR TYPES (CONTINUED)



TYPE F3

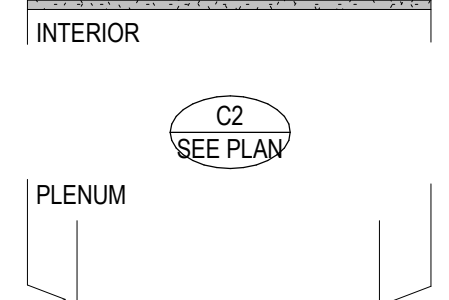
- CONC. TOPPING (SEE STRUCT. DWGS FOR THICKNESS)
- PRECAST HOLLOW CORE CONCRETE SLAB (SEE STRUCT.)

CEILING TYPES



TYPE C1

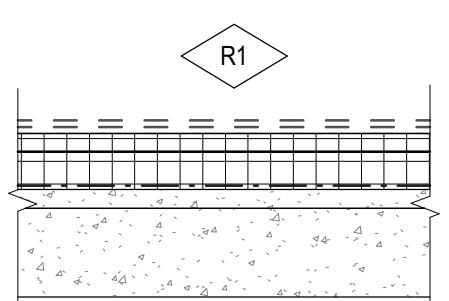
- CEILING SUSPENSION SYSTEM
- 64mm METAL STUD CARRYING CHANNELS @ 400 O/C
- 22mm METAL FURRING CHANNELS @ 400 O/C
- 13mm MOISTURE RESISTANT GWB, TAPE, FILL, PRIME, FINISH 2 COATS



TYPE C2

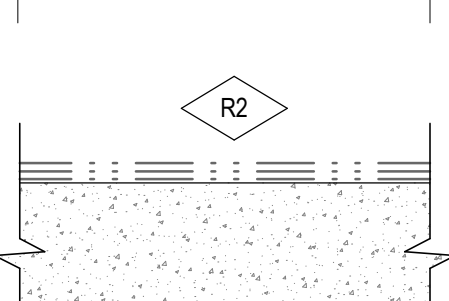
- CEILING SUSPENSION SYSTEM
- SUSPENDED ACOUSTIC CEILING GRID
- 600mm x 1200mm ACOUSTIC CEILING TILE

ROOF TYPES



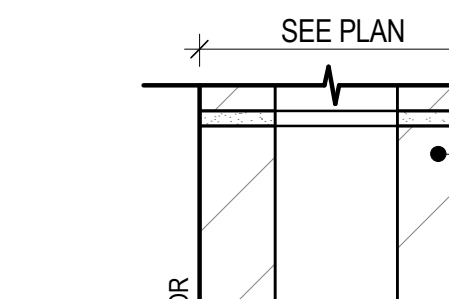
TYPE R1

- 2 PLY BUILT-UP MODIFIED BITUMEN ROOF MEMBRANE
- 13mm FIBRE BOARD
- SLOPED INSULATION BOARD, WHERE APPLICABLE
- 150mm POLYISOCYANURATE RIGID INSULATION (HEADWORKS BUILDING)
- 100mm POLYISOCYANURATE RIGID INSUL. (OPERATIONS & TERTIARY BLDGS)
- VAPOUR RETARDER
- STRUCTURAL BASE, SEE STRUCT. DWGS FOR TYPE & THICKNESS



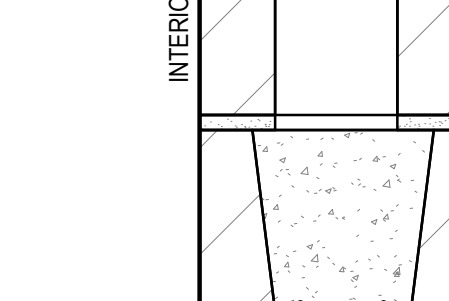
TYPE R2

- LIQUID APPLIED WATERPROOFING MEMBRANE TOP COAT W/ COLOUR ADDITIVE
- LIQUID APPLIED WATERPROOFING MEMBRANE BOTTOM COAT W/ COLOUR BASE
- GLASS FIBER REINFORCEMENT MAT
- SLOPED CONCRETE BASE, PRIMED, SEE STRUCT. DWGS FOR THICKNESS
- 100mm SPRAY FOAM INSULATION TO THE U/S OF THE CONC. BASE



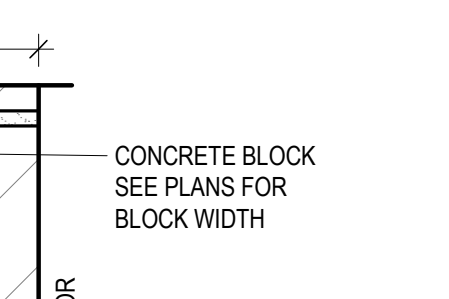
6 CMU DOOR HEAD DETAIL

A0002 SCALE: 1:5



5 CMU DOOR JAMB DETAIL

A0002 SCALE: 1:5



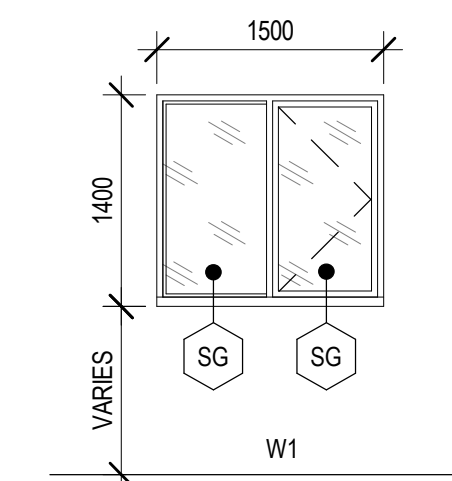
7 CIP DOOR JAMB DETAIL

A0002 SCALE: 1:5



8 CIP DOOR HEAD DETAIL

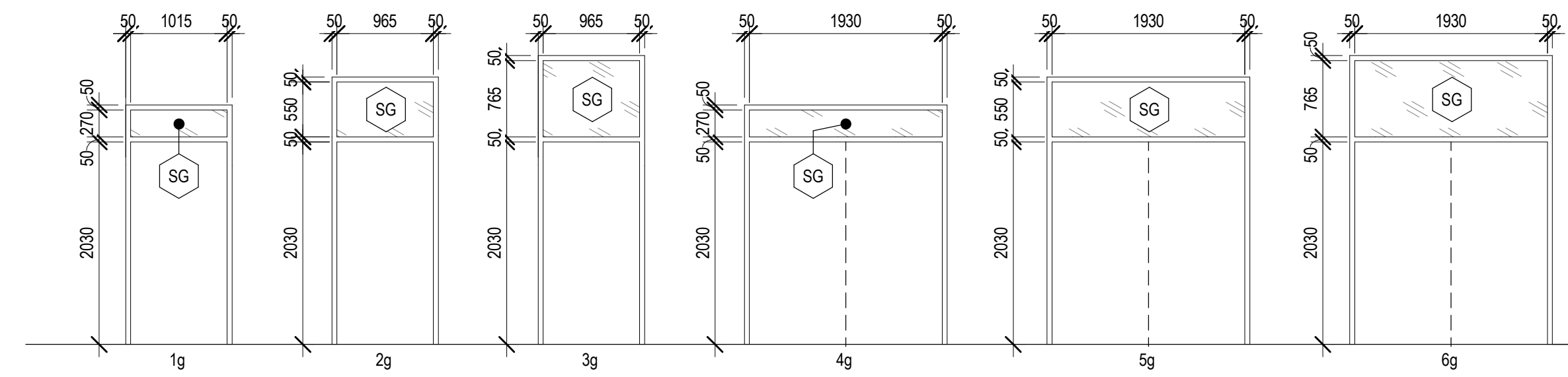
A0002 SCALE: 1:5



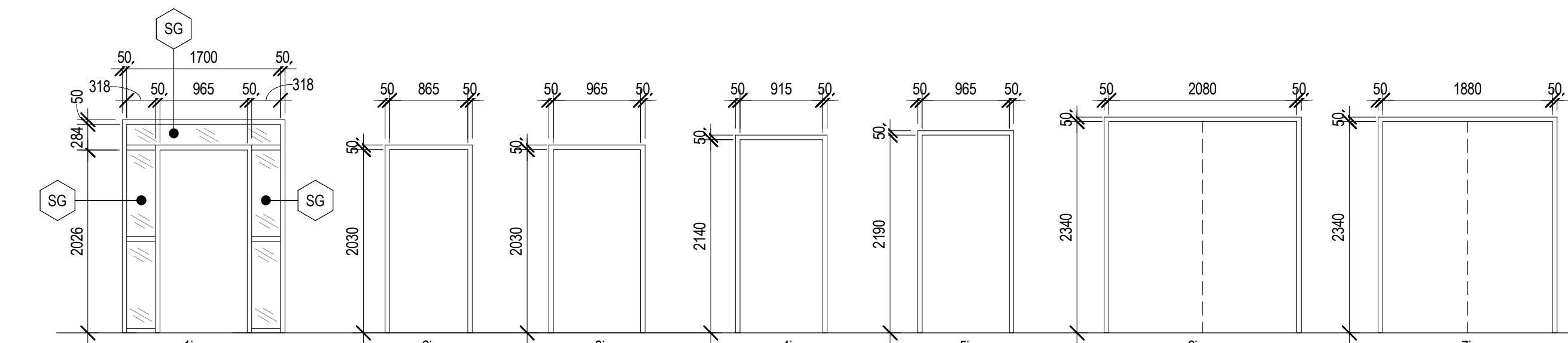
WINDOW TYPE

DOOR FRAME TYPE GENERAL NOTES

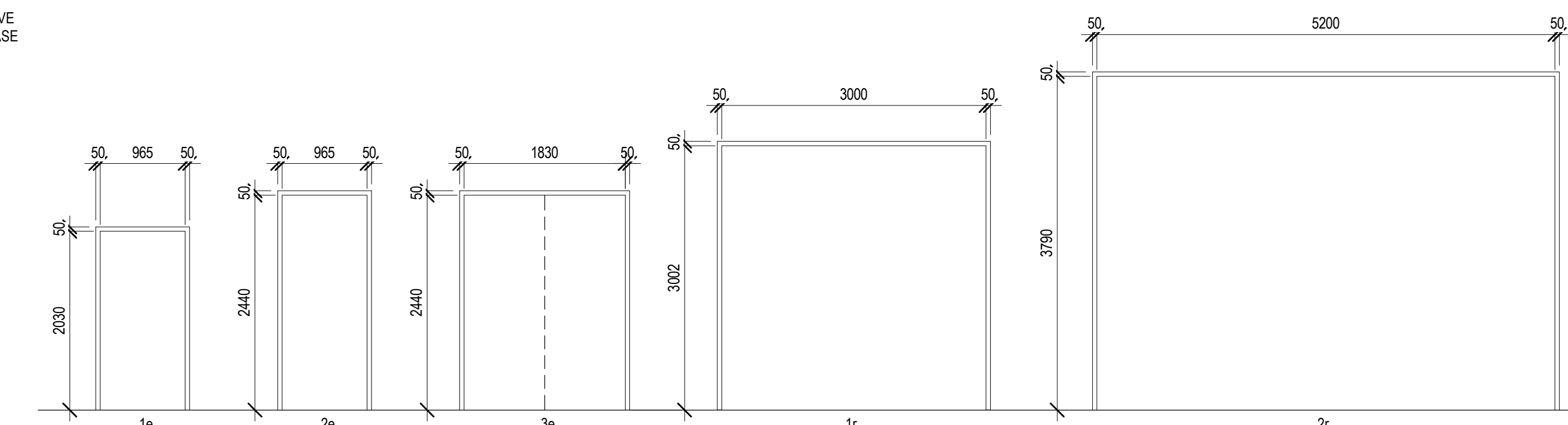
- INTERIOR DOOR FRAME DETAILS ARE SHOWN ON THIS DRAWING ONLY. FOR EXTERIOR DOOR AND WINDOW FRAME DETAILS REFER TO DRAWING A5001 & A5002.
- REFER TO DOOR SCHEDULES ON SHEET A5003 FOR FRAME SIZES, PANEL SIZES, AND REFERENT TO DETAIL DRAWINGS.
- REFER TO ELEVATIONS FOR WINDOW SILL HEIGHTS.



EXTERIOR DOOR FRAMES WITH GLAZING (INSULATED)



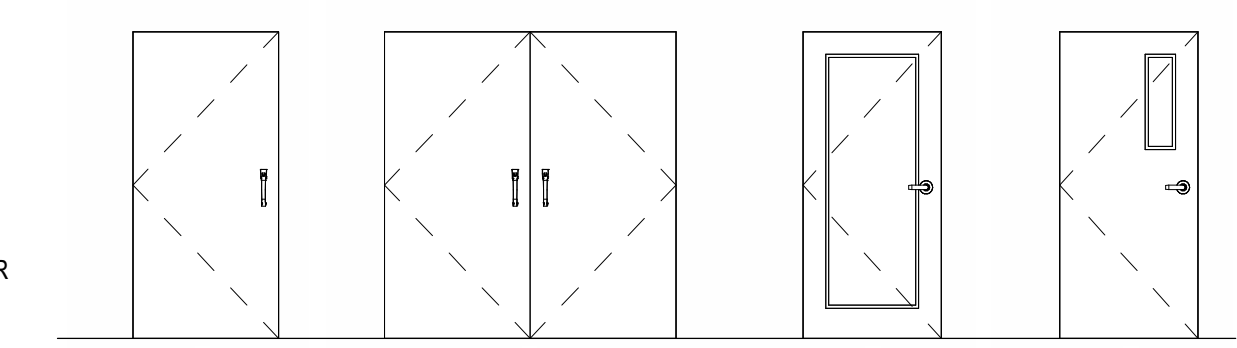
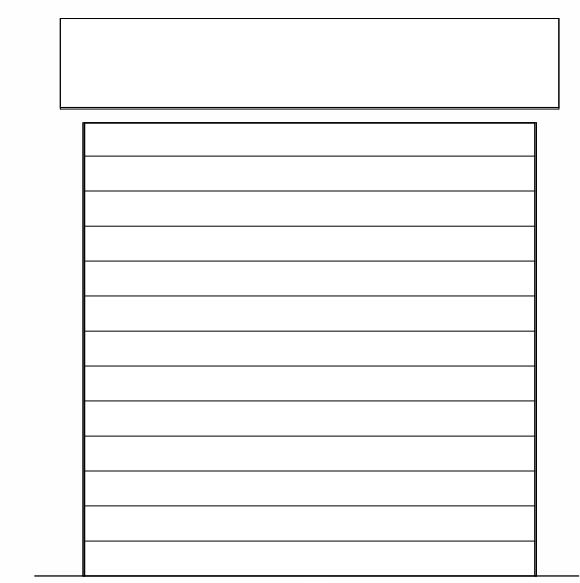
INTERIOR DOOR FRAMES



EXTERIOR DOOR FRAMES (INSULATED)

EXTERIOR ROLL-UP DOOR FRAMES (INSULATED)

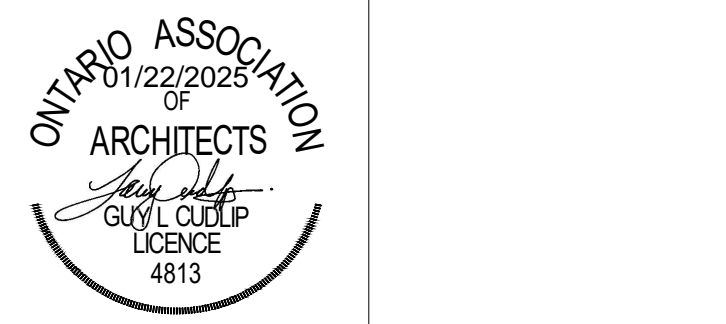
FRAME TYPES



PANEL TYPES

DATE	NO.	REVISION
2025/01/23	2	ISSUED FOR TENDER
2024/06/23	1	ISSUED FOR ECA APPROVAL

THE DRAWINGS, ARRANGEMENTS, ANNOTATIONS AND GRAPHICAL PRESENTATIONS ON THIS DOCUMENT ARE THE PROPERTY OF EVB ENGINEERING WHO RETAINS OWNERSHIP AND AUTHORITY OF THIS DOCUMENT. ITS ENTIRETY THIS DOCUMENT IS AN INSTRUMENT OF SERVICE AND IS THE INTELLECTUAL AND PHYSICAL PROPERTY OF EVB ENGINEERING. AUTHORIZED USE OF THIS DRAWING IS GRANTED SOLELY FOR THE PURPOSE OF THIS SPECIFIC PROJECT AND LOCATION, AND NOT FOR CONSTRUCTION OR USE FOR ANY OTHER PROJECT. COPYRIGHT © 2024 EVB ENGINEERING.



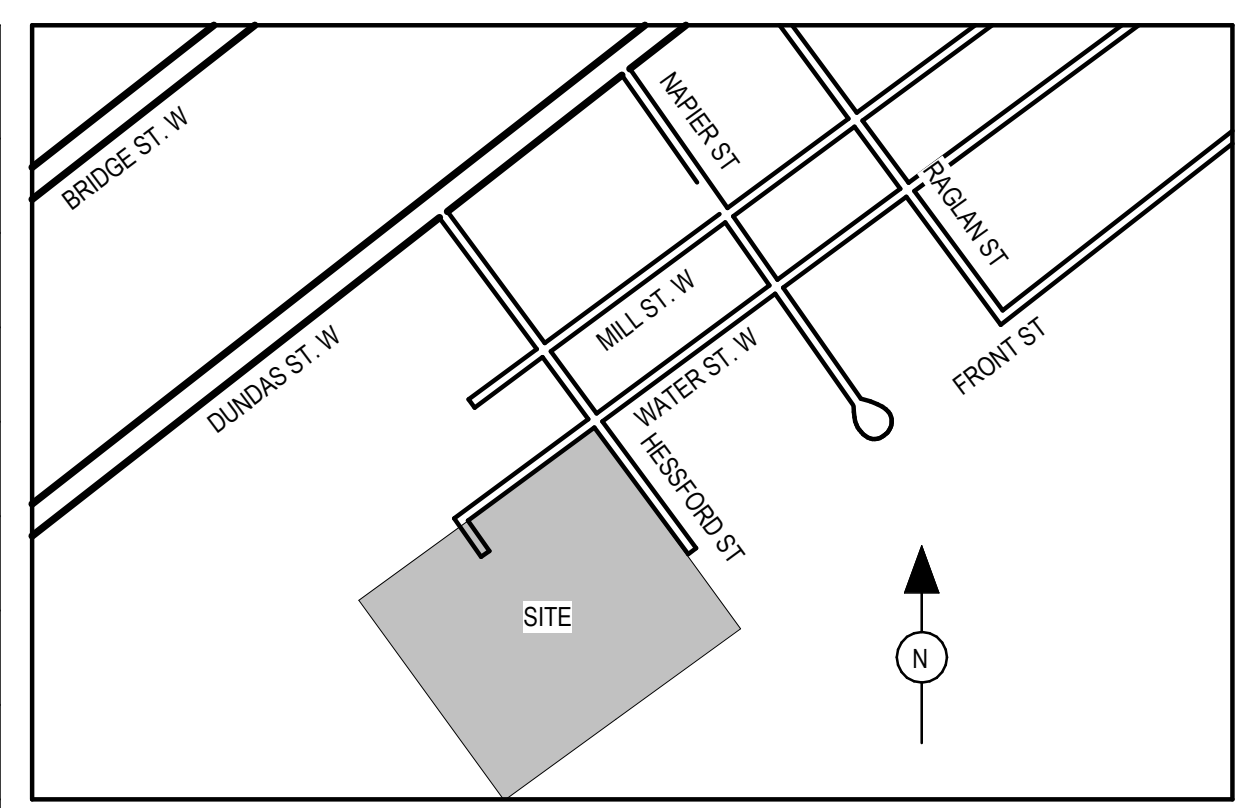
CLIENT:
PROJECT:
NEW NAPANEE WPCP

TITLE:
ASSEMBLIES & LEGENDS

SCALE:	JOB NO:
As indicated	22001
DESIGNED BY:	DATE:
LC	2025/01/23
DRAWN BY:	DRAWING NO.:
BB / CH	A0002
CHECKED BY:	
JB	

DISCLAIMER:
 THE DRAWINGS IN THIS SET HAVE BEEN PREPARED FOR THE USE OF CIMA+'S CLIENT AND MAY NOT BE USED, REPRODUCED OR RELATED UPON BY THIRD PARTIES, EXCEPT AS AGREED BY CIMA+ AND ITS CLIENT, AS REQUIRED BY LAW OR FOR USE BY GOVERNMENTAL REVIEWING AGENCIES. CIMA+ ACCEPTS NO RESPONSIBILITY, AND DENIES ANY LIABILITY WHATSOEVER, TO ANY PARTY THAT MODIFIES THIS DRAWING WITHOUT CIMA+'S EXPRESS WRITTEN CONSENT. DO NOT SCALE THIS DOCUMENT. ALL MEASUREMENTS MUST BE OBTAINED FROM THE STATED DIMENSIONS.

SITE SYMBOLS LEGEND			
MH	MANHOLE	→	FIRE ROUTE
CB	CATCH BASIN	200.00	EX. GRADE ELEVATION
FH	FIRE HYDRANT	—x—x—x—x—x—	CHAIN LINK FENCE
▼	MAIN ENTRANCE	—OHW—OHW—OHW—	OVERHEAD WIRE
▽	EXIT DOOR	LP	LIGHT POLE
▽	OVERHEAD DOOR	B	BOLLARD
---	PROPERTY LINE	●	EXISTING BOLLARD
---	2 HR	---	1 HR
---	2 HOUR FIRE RESISTANCE RATING	---	1 HOUR FIRE RESISTANCE RATING



SITE LOCATION PLAN
 SCALE: N.T.S.

SITE PLAN GENERAL NOTES

- REFERENCE DRAWINGS: INFORMATION ON THIS DRAWING HAS BEEN TAKEN FROM TOPOGRAPHICAL SURVEY DRAWING DATED JULY 2, 2021 BY HOPKINS CHITTY LAND SURVEYORS INC., PROJECT NO. 2021-0475
- ALLOWABLE LOT COVERAGE SUBJECT TO BY-LAW EXCEPTION TO AMEND ZONING BY-LAW NUMBER 02-22 FOR WASTE MANAGEMENT INDUSTRIAL ZONE M5-4.
- ALL GRADE ELEVATIONS SHOWN ARE EXISTING AND FOR REFERENCE ONLY. REFER TO CIVIL DRAWINGS FOR SITE GRADING.

SITE STATISTICS

- LANDING ZONE DESIGNATION:
 - LEGAL DESCRIPTION: PART OF LOTS 19 AND 20, CONCESSION 1, GEOGRAPHIC TOWNSHIP OF RICHMOND, TOWN OF GREATER NAPANEE, COUNTY OF LENNOX AND ADDINGTON
 - ZONE DESIGNATION: M5-4
 - BUILDING USE:
 - NEW HEADWORKS BUILDING: WATER POLLUTION CONTROL PLANT
 - NEW OPERATIONS BUILDING: WATER POLLUTION CONTROL PLANT
 - NEW TERTIARY / UV BUILDING: WATER POLLUTION CONTROL PLANT
- ALLOWABLE LOT COVERAGE:
 - LOT (SITE) AREA: 20% (37,110.65 m² (3.711065 ha))
 - BUILDING AREAS ANALYSIS:

SEPTAGE RECEIVING BUILDING	10.0 m ²
ADMINISTRATION BUILDING	75.4 m ²
BIOGAS FLARE STACK	8.4 m ²
CLARIFIER BUILDING	128.5 m ²
CLARIFIER TANK #1	228.6 m ²
CLARIFIER TANK #2	180.7 m ²
BOILER SLUDGE PUMP BUILDING	99.1 m ²
GRAVITY THICKENER TANK	55.6 m ²
CHLORINE DISINFECTION TANK	90.0 m ²
CONTROL BUILDING	112.4 m ²
AERATION BUILDING	354.1 m ²
SECONDARY CLARIFIER BUILDING	635.0 m ²
UNIDENTIFIED TANK	54.3 m ²
UNKNOWN STRUCTURE	5.2 m ²
CONCRETE PAD	49.3 m ²
DIGESTERS BUILDING	667.0 m ²
MAINTENANCE GARAGE BUILDING	970.9 m ²
 - TOTAL EXISTING BUILDING AREA: 3,724.5 m²
 - TOTAL EXISTING LOT COVERAGE: 10.04%
 - NEW HEADWORKS BUILDING: 705.2 m²
 - NEW OPERATION BUILDING: 652.8 m²
 - NEW AGS TANKS AND POST/EQ TANKS: 2,088.9 m²
 - NEW TERTIARY / UV BUILDING: 453.2 m²
 - TOTAL PROPOSED BUILDING AREA: 7,624.6 m²
 - TOTAL PROPOSED LOT COVERAGE: 20.55%
- MINIMUM SET BACK REQUIREMENTS:

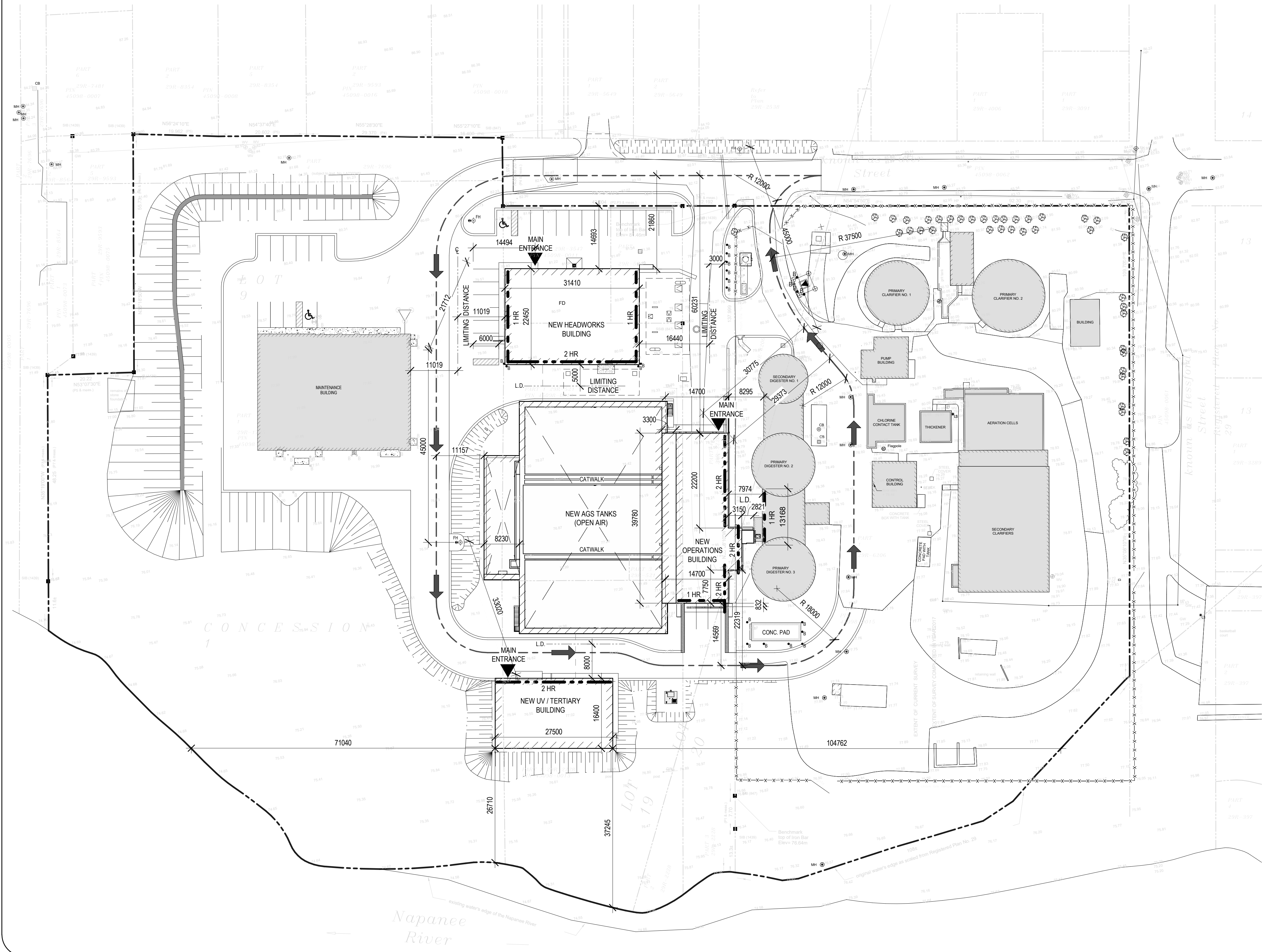
DESCRIPTION	MINIMUM
- STREET CENTRELINE	7.5 m
- FRONT YARD	15.0 m
- REAR YARD (WETLAND)	20.0 m
- EXTERIOR SIDE YARD	30.0 m
- INTERIOR SIDE YARD	15.0 m

 - MINIMUM DISTANCE BETWEEN DRIVEWAYS IS 2 METRES
 - PLANTING STRIP IS NOT REQUIRED ALONG WATER STREET.
- MAXIMUM BUILDING HEIGHT:

DESCRIPTION	PROPOSED
- NEW HEADWORKS BUILDING	5.0 m
- NEW OPERATIONS BUILDING	9.6 m
- NEW TERTIARY / UV BUILDING	7.35 m
- PARKING REQUIREMENT (4% ACCESSIBLE, IF >13 AND <100 PER O.REG 191/11):

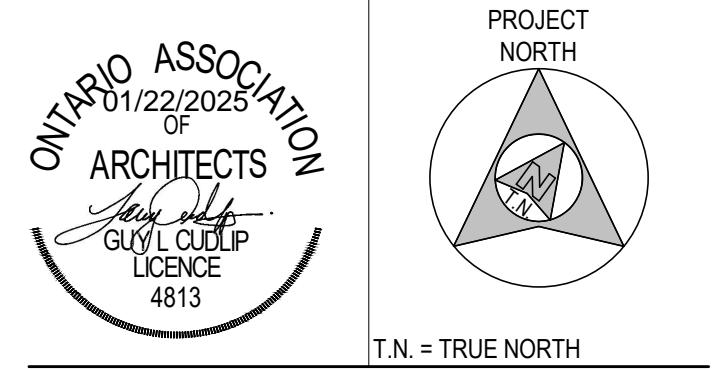
DESCRIPTION	STANDARD	ACCESSIBLE
- EXISTING PARKING SPACES	9	1 (TYPE A = 3400x6000)
- PROPOSED PARKING SPACES	21	1 (TYPE A = 3400x6000)
- TOTAL PARKING SPACES	30	2
- EXCEPTIONS (PER BY-LAW 2023-0058 TO AMEND ZONING BY-LAW 02-22):
 - NO MINIMUM PARKING SPACES REQUIRED
 - PARKING AREA IS PERMITTED WITHIN A FRONT YARD WITH A 0 METRE SETBACK TO WATER STREET.
- LANDSCAPING REQUIREMENTS:

DESCRIPTION	REQUIRED	PROPOSED
MINIMUM LANDSCAPED OPEN SPACE	20%	44% (16,677 m ²)



2025/01/23 2 ISSUED FOR TENDER
 2024/06/23 1 ISSUED FOR ECA APPROVAL
 DATE NO. REVISION

THE DRAWINGS, ARRANGEMENTS, ANNOTATIONS AND GRAPHICAL PRESENTATIONS ON THIS DOCUMENT ARE THE PROPERTY OF EVB ENGINEERING WHO RETAINS OWNERSHIP AND AUTHORITY OF THIS DOCUMENT. IN ITS ENTIRETY THIS DOCUMENT IS AN INSTRUMENT OF SERVICE AND IS THE INTELLECTUAL AND PHYSICAL PROPERTY OF EVB ENGINEERING. AUTHORIZED USE OF THIS DRAWING IS GRANTED SOLELY FOR THE PURPOSE OF THIS SPECIFIC PROJECT AND LOCATION, AND NOT FOR CONSTRUCTION OR USE FOR ANY OTHER PROJECT.
 COPYRIGHT © 2024 EVB ENGINEERING.



CONSULTANT:
EVB ENGINEERING
 800 SECOND STREET WEST
 CORNWALL, ONTARIO CANADA, K6J 1H6
 TEL: 613-935-3775 | FAX: 613-935-6450
 WEBSITE: EVBengineering.com

SUB-CONSULTANT:
C2 Architecture
 C2 Architecture Inc.
 415 Baseline Road West
 Bowmanville, ON L1C 5M2
 ☎ 905.697.4464

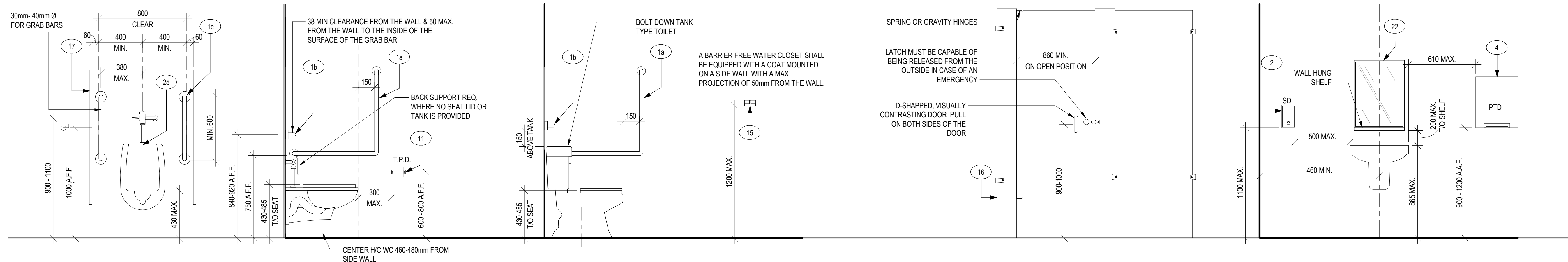
CLIENT:
Greater Napanee
GRANDS FOR MANY REASONS

PROJECT:
NEW NAPANEE WPCP

TITLE:
OVERALL SITE PLAN

SCALE: As indicated
 DESIGNED BY: LC
 DRAWN BY: BB / CH
 CHECKED BY: JB

JOB NO: 22001
 DATE: 2025/01/23
 DRAWING NO: A0003



URINALS

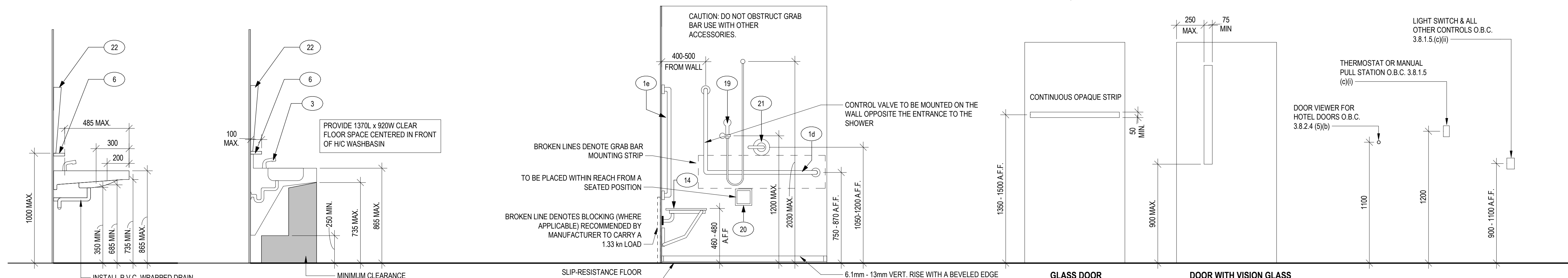
ACCESSIBLE TANKLESS TOILET

ACCESSIBLE TANK-TYPE TOILET

COAT HOOK

BARRIER FREE WATER CLOSET STALL (O.B.C. 3.8.3.8) - EXTERIOR ELEV.

ACCESSIBLE SINK FRONT



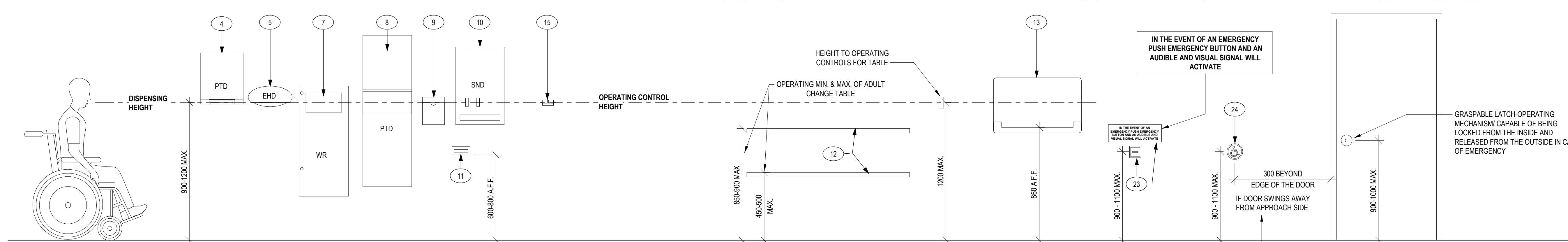
ACCESSIBLE SINK SIDE

ACCESSIBLE VANITY SIDE

ACCESSIBLE SHOWER STALL

DOORS IN A BARRIER FREE PATH OF TRAVEL

DOOR VIEWER & CONTROLS



TYPICAL WASHROOM ACCESSORY MOUNTING HEIGHTS

UNIVERSAL WASHROOM

ACCESSORY LEGEND:

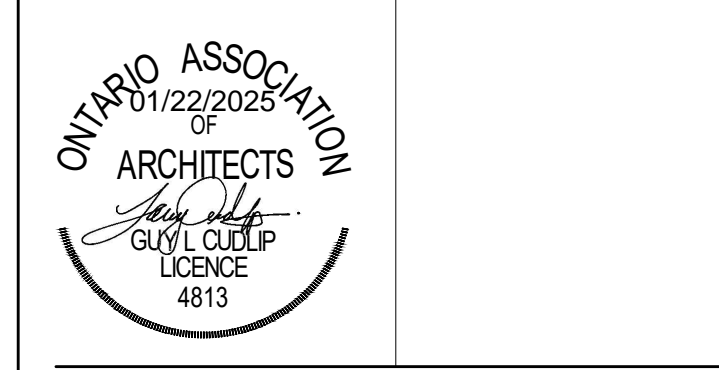
- | | | |
|---|---|--|
| 1a L-SHAPED GRAB BAR - MIN 750mm LONG ON EACH VERT. & HORIZ. COMPONENT. | 5 ELECTRIC HAND DRYER - OPERABLE WITH ONE HAND | 15 COAT HOOK |
| 1b HORIZONTAL GRAB BAR - MIN 600mm LONG | 6 FLOATING SHELF | 16 TOILET PARTITION |
| 1c VERTICAL GRAB BAR - MIN 600mm LONG | 7 WASTE RECEPTACLE | 17 URINAL PARTITION |
| 1d L-SHAPED GRAB BAR - MIN 750mm LONG ON VERT. & MIN 1000mm ON HORIZ. COMPONENT. | 8 PAPER TOWEL DISPENSER - OPERABLE W/ ONE HAND | 18 SHOWER PARTITION |
| 1e VERTICAL GRAB BAR - MIN 1000mm LONG | 9 SANITARY NAPKIN DISPOSAL | 19 HAND-HELD SHOWER HEAD WITH 1800 MIN. LENGTH OF FLEXIBLE HOSE. |
| 2 SOAP DISPENSER - AUTOMATICALLY OPERATED OR THAT CAN BE OPERATED USING A CLOSED FIST WITH A FORCE NOT MORE THAN 22.2N. | 10 SANITARY NAPKIN DISPENSER | 20 SOAP DISH |
| 3 LEVER-TYPE HANDLES OR AUTOMATIC OPERATION ONLY | 11 TOILET PAPER DISPENSER | 21 PRESSURE-EQUALIZING OR THERMOSTATIC MIXING VALVE - OPERABLE USING A CLOSED FIST AND A FORCE OF 22.2N MAX. |
| 4 PAPER TOWEL DISPENSER - OPERABLE WITH ONE HAND | 12 ADULT CHANGE TABLE - MIN. LOAD OF 1.33kN. CONFORMS TO 3.8.3.12 (5) | 22 TILTED MIRROR |
| | 13 FOLD DOWN INFANT CHANGE TABLE | 23 EMERGENCY BUTTON - SWITCH AND SIGN AS PER OBC 3.8.3.12 (2) |
| | 14 FOLD DOWN SHOWER SEAT 450mm WIDE & 400mm DEEP W/ A SMOOTH & SLIP-RESISTANCE SURFACE & NO ROUGH EDGES | |

GENERAL NOTES:

- DISPENSING OR HAND-OPERATED ACCESSORIES, OTHER THAN THOSE LOCATED IN WATER CLOSETS STALLS SHALL HAVE A MIN. 1370mm DEEP FLOOR SPACE IN FRONT OF THE CONTROLS OR OPERATING MECHANISM TO ALLOW FRONT APPROACH.
- REFER TO SPECIFICATION FOR WASHROOM ACCESSORIES. CONFIRM IF ACCESSORIES ARE RECESSED, SEMI-RECESSED OR FACE MOUNTED PRIOR TO INSTALLATION.
- PROVIDE BACKING SUPPORT IN WALLS AS REQUIRED FOR WASHROOM ACCESSORIES.
- CONFIRM EXACT LOCATION AND MOUNTING HEIGHTS ON SITE PRIOR TO INSTALLATION.
- DIMENSIONS AS PER CURRENT BUILDING CODE.
- WHERE PERMANENT IDENTIFICATION IS PROVIDED FOR ROOMS AND SPACES, SIGNS SHALL BE INSTALLED ON THE WALL ADJACENT TO THE LATCH SIDE OF THE DOOR. WHERE THERE IS NO WALL SPACE TO THE LATCH SIDE OF THE DOOR, INCLUDING DOUBLE LEAF DOORS, SIGNS SHALL BE PLACED ON THE NEAREST ADJACENT WALL.

2025/01/23	1	ISSUED FOR TENDER
DATE	NO.	REVISION

THE DRAWINGS, ARRANGEMENTS, ANNOTATIONS AND GRAPHICAL PRESENTATIONS ON THIS DOCUMENT ARE THE PROPERTY OF EVB ENGINEERING WHO RETAINS OWNERSHIP AND AUTHORITY OF THIS DOCUMENT. IN ITS ENTIRETY THIS DOCUMENT IS AN INSTRUMENT OF SERVICE AND IS THE INTELLECTUAL AND PHYSICAL PROPERTY OF EVB ENGINEERING. AUTHORIZED USE OF THIS DRAWING IS GRANTED SOLELY FOR THE PURPOSE OF THIS SPECIFIC PROJECT AND LOCATION, AND NOT FOR CONSTRUCTION OR USE FOR ANY OTHER PROJECT. COPYRIGHT © 2024 EVB ENGINEERING.



CONSULTANT:
EVB ENGINEERING
 800 SECOND STREET WEST
 CORNWALL, ONTARIO CANADA, K6J 1H6
 TEL: 613-935-3775 | FAX: 613-935-6450
 WEBSITE: EVBengineering.com

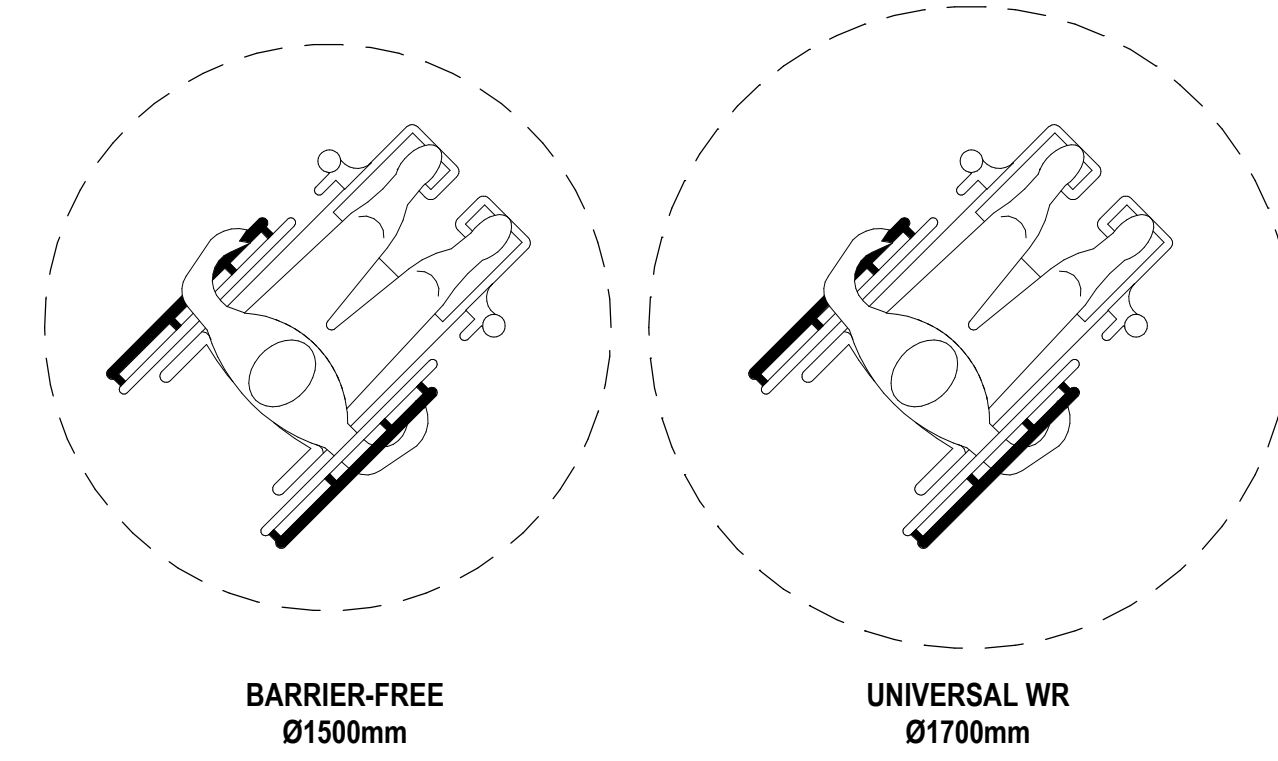
SUB-CONSULTANT:
C2 Architecture
 C2 Architecture Inc.
 415 Baseline Road West
 Bowmanville, ON L1C 5M2
 ☎ 905.697.4464

CLIENT:
Greater Napanee
 (BRAND FOR WATER RESOURCES)

PROJECT:
NEW NAPANEE WPCP

TITLE:
WASHROOM BARRIER FREE

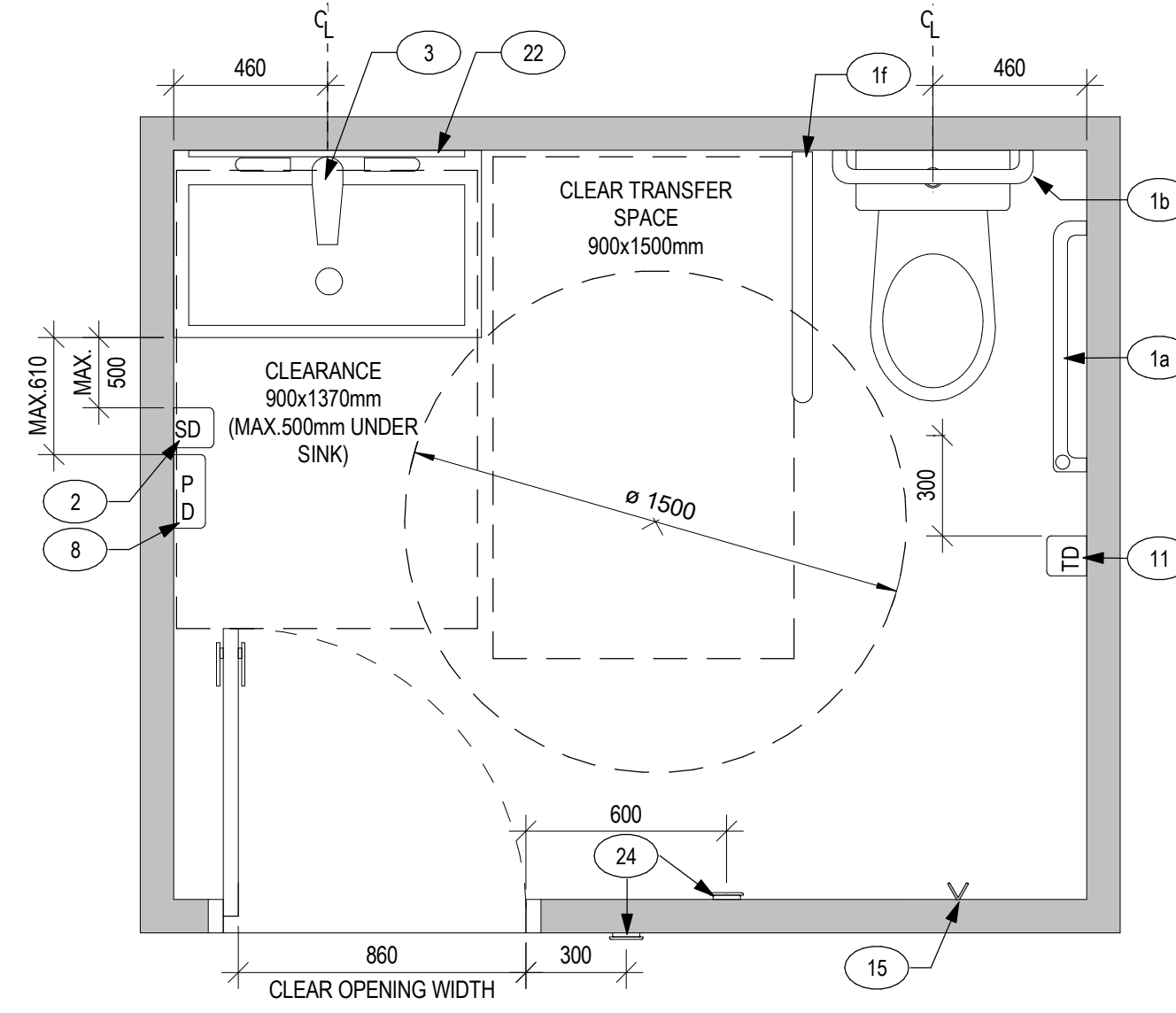
SCALE: 1:20	JOB NO: 22001
DESIGNED BY: Designer	DATE: 2025/01/23
DRAWN BY: Author	DRAWING NO.:
CHECKED BY: Checker	A0004



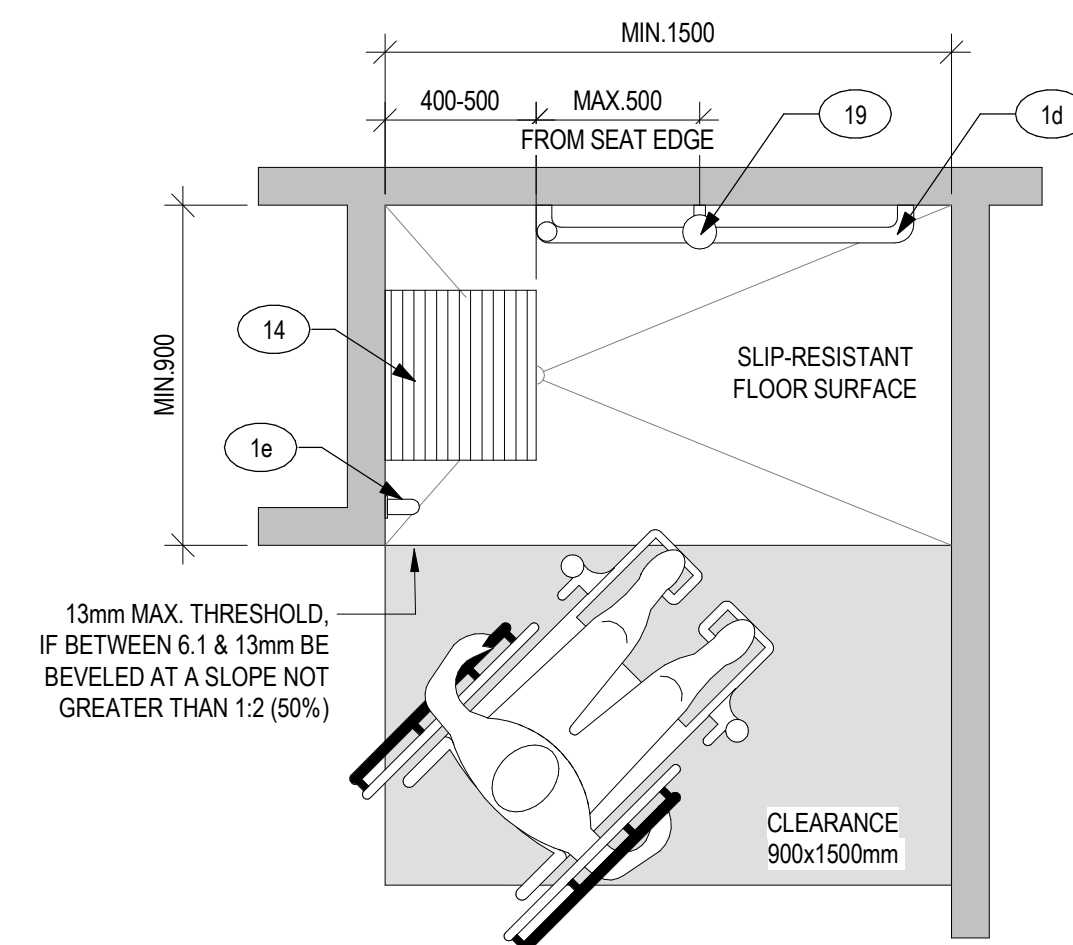
BARRIER-FREE
Ø1500mm

UNIVERSAL WR
Ø1700mm

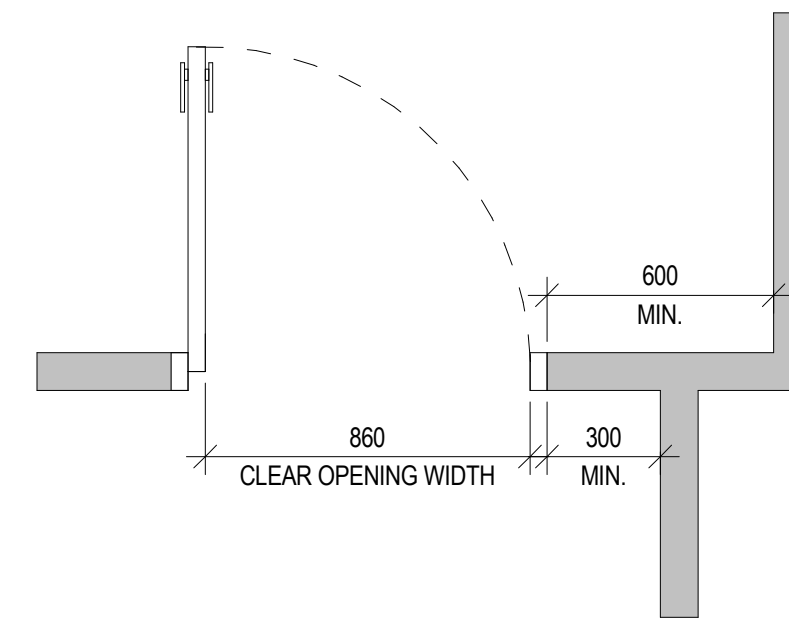
TURNING SPACE



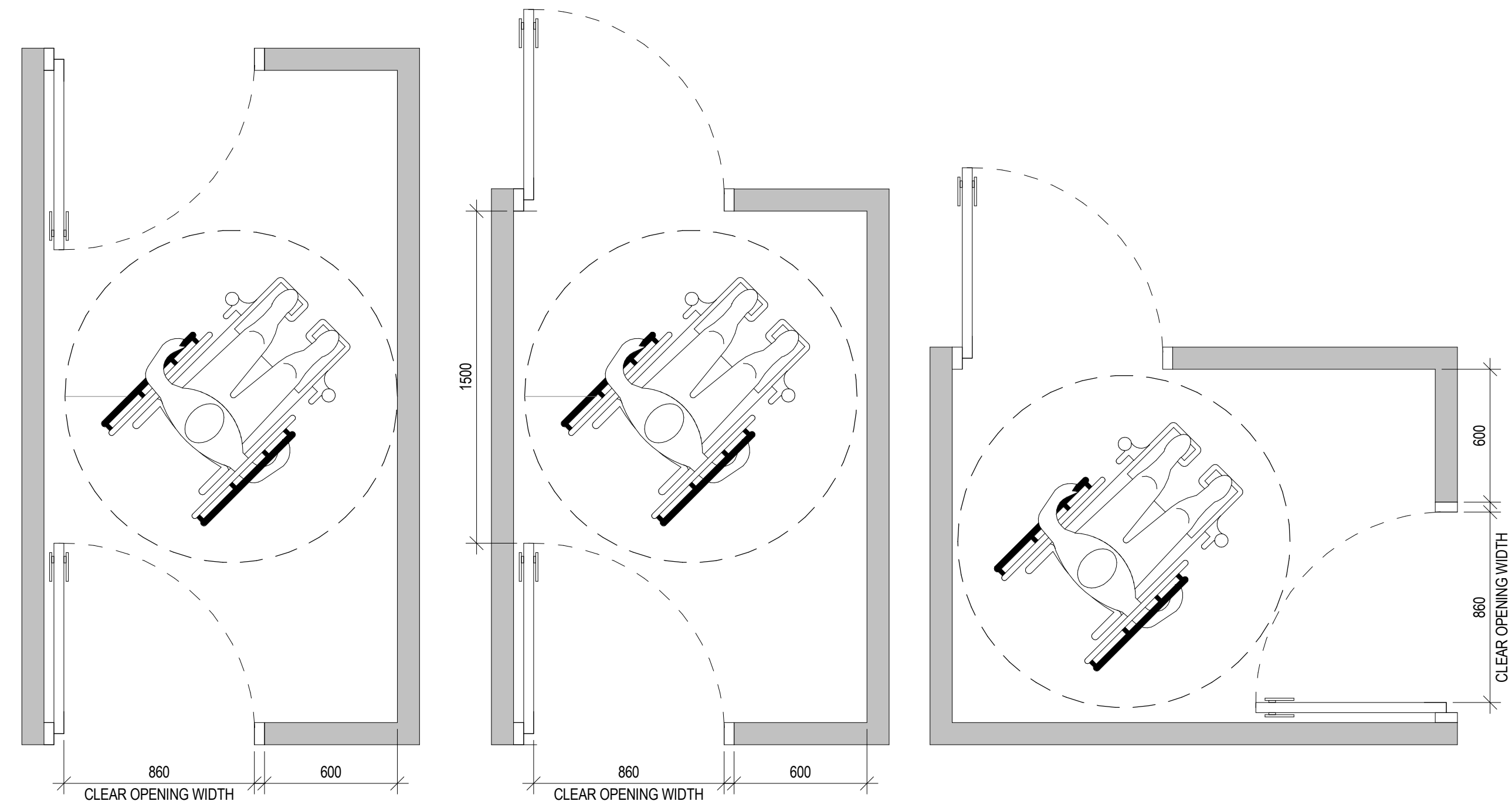
BARRIER-FREE WASHROOM LAYOUT



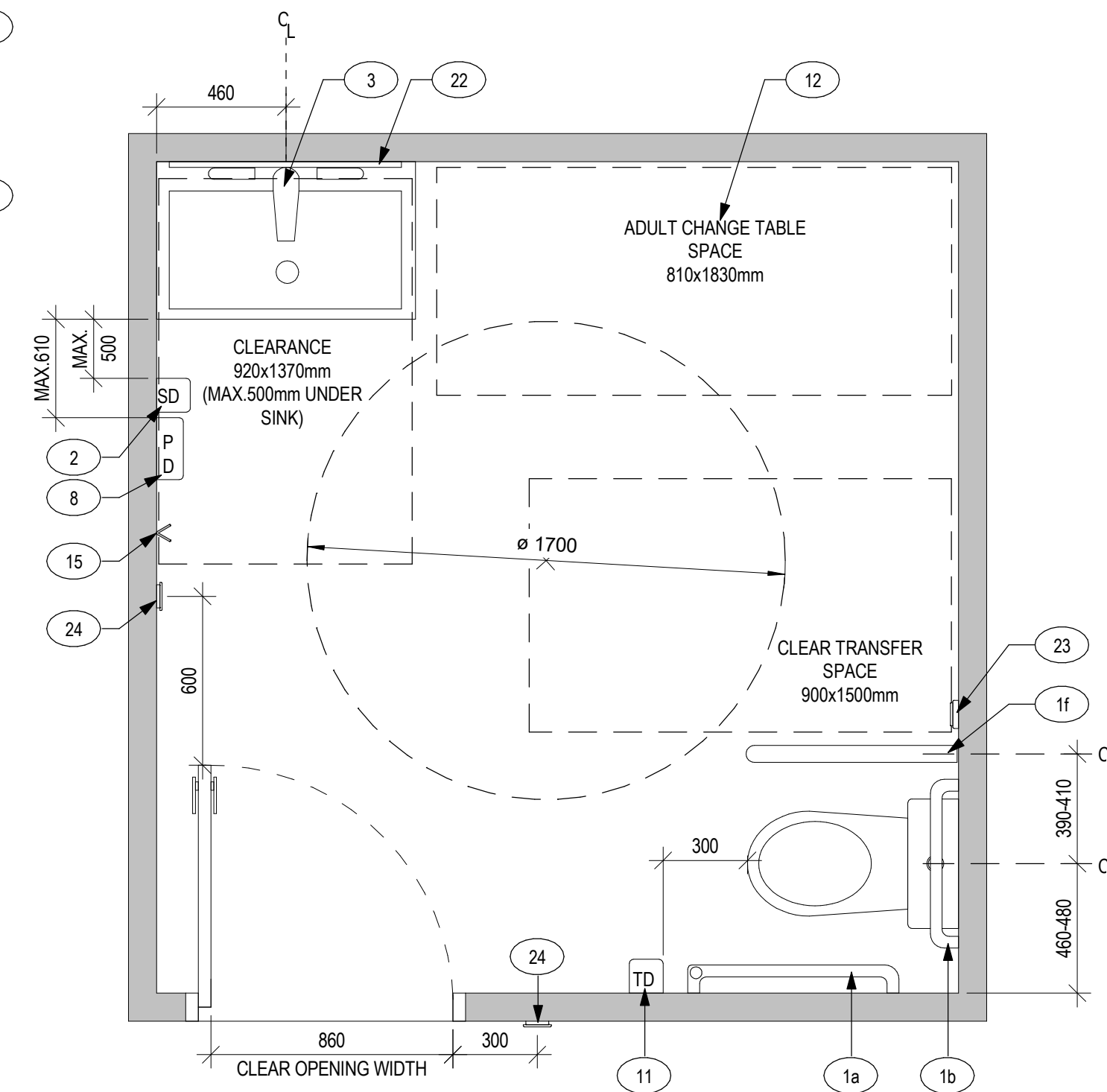
SHOWER LAYOUT



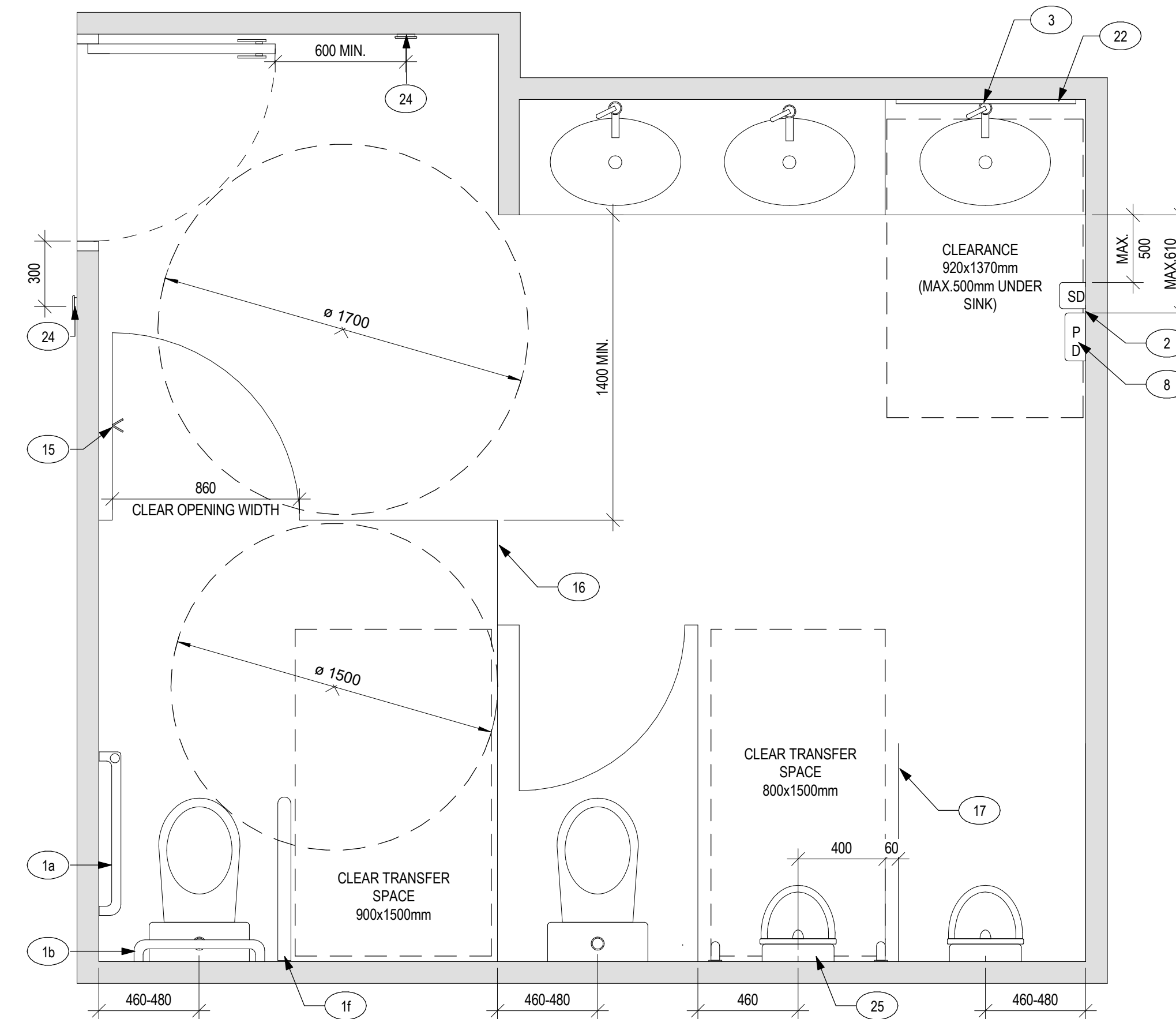
CLEAR DOORWAY WIDTH



ACCESSIBLE DOORS IN SERIES



UNIVERSAL WASHROOM LAYOUT



MULTI-STALL WASHROOM LAYOUT

NOTES:

- NO INTERNAL DIMENSION BETWEEN WALLS THAT IS LESS THAN 1700mm
- HAVE LIGHTING CONTROLLED BY A MOTION SENSOR
- AN ADULT CHANGE TABLE DOES NOT NEED TO BE INSTALLED ACCORDING TO 3.8.3.12 (6) WHEN:
 - a. IT IS LOCATED IN AN INDIVIDUAL SUITE THAT:
 1. IT IS USED FOR AN ASSEMBLY OCCUPANCY, A BUSINESS & PERSONAL SERVICES OCCUPANCY, A MERCANTILE OCCUPANCY OR AN INDUSTRIAL OCCUPANCY, AND
 2. MEETS ONE OF THE FOLLOWING:
 - IT IS LOCATED IN A BUILDING THAT IS LESS THAN 300m² IN BUILDING AREA OR,
 - IT IS LESS THAN 300m² IN AREA, IF LOCATED IN A BUILDING THAT IS AT LEAST 300m² IN BUILDING AREA OR
 - b. ANOTHER UNIVERSAL WR IS PROVIDED ON THE SAME FLOOR WITHIN 45m.

ACCESSORY LEGEND:

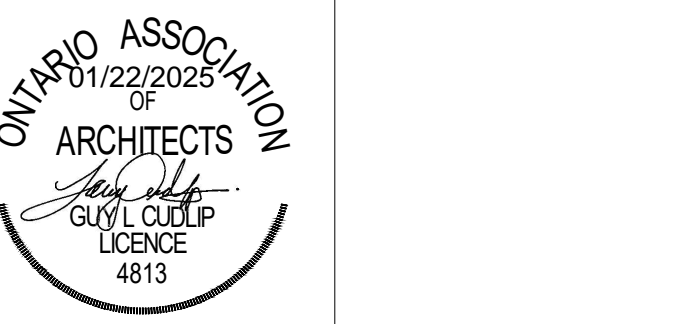
- | | | | |
|---|--|---|---|
| 1a L-SHAPED GRAB BAR - MIN.750mm LONG ON VERT. & HORIZ. COMPONENT. | 3 LEVER-TYPE HANDLES OR AUTOMATIC OPERATION ONLY | 12 ADULT CHANGE TABLE - MIN. LOAD OF 1.33kN. CONFORMS TO 3.8.3.12 (5) | 19 HAND-HELD SHOWER HEAD WITH 1800 MIN. LENGTH OF FLEXIBLE HOSE. |
| 1b HORIZONTAL GRAB BAR - MIN.600mm LONG | 4 PAPER TOWEL DISPENSER - OPERABLE WITH ONE HAND | 13 FOLD DOWN INFANT CHANGE TABLE | 20 SOAP DISH |
| 1c VERTICAL GRAB BAR - MIN.600mm LONG | 5 ELECTRIC HAND DRYER - OPERABLE WITH ONE HAND | 14 FOLD DOWN SHOWER SEAT 450mm WIDE & 400mm DEEP W/ A SMOOTH & SLIP-RESISTANCE SURFACE & NO ROUGH EDGES | 21 PRESSURE-EQUALIZING OR THERMOSTATIC MIXING VALVE - OPERABLE USING A CLOSED FIST AND A FORCE OF 22.2N MAX. |
| 1d L-SHAPED GRAB BAR - MIN.750mm LONG ON VERT. & MIN.1000mm ON HORIZ. COMPONENT. | 6 FLOATING SHELF | 15 COAT HOOK - PROJECTING MAX. 50mm FROM THE WALL | 22 TILTED MIRROR |
| 1e VERTICAL GRAB BAR - MIN.1000mm LONG | 7 WASTE RECEPTACLE | 16 TOILET PARTITION | 23 EMERGENCY BUTTON - SWITCH AND SIGN AS PER OBC 3.8.3.12 (2) |
| 1f OPTIONAL - FOLD-DOWN GRAB BAR - MIN.750mm LONG | 8 PAPER TOWEL DISPENSER - OPERABLE W/ ONE HAND | 17 URINAL PARTITION | 24 DOOR OPENING BUTTON - DOOR OPERATOR CONFORMING 3.8.3.3 - CIRCULAR - Ø150mm MIN. / RECTANGULAR - 50mmx100mm |
| 2 SOAP DISPENSER - AUTOMATICALLY OPERATED OR THAT CAN BE OPERATED USING A CLOSED FIST WITH A FORCE NOT MORE THAN 22.2N. | 9 SANITARY NAPKIN DISPOSAL | 18 SHOWER PARTITION | 25 ACCESSIBLE URINAL |
| | 10 SANITARY NAPKIN DISPENSER | | |
| | 11 TOILET PAPER DISPENSER | | |

GENERAL NOTES:

- DISPENSING OR HAND-OPERATED ACCESSORIES, OTHER THAN THOSE LOCATED IN WATER CLOSETS STALLS SHALL HAVE A MIN. 1370mm DEEP FLOOR SPACE IN FRONT OF THE CONTROLS OR OPERATING MECHANISM TO ALLOW FRONT APPROACH.
- REFER TO SPECIFICATION FOR WASHROOM ACCESSORIES. CONFIRM IF ACCESSORIES ARE RECESSED, SEMI-RECESSED OR FACE MOUNTED PRIOR TO INSTALLATION.
- PROVIDE BACKING SUPPORT IN WALLS AS REQUIRED FOR WASHROOM ACCESSORIES.
- CONFIRM EXACT LOCATION AND MOUNTING HEIGHTS ON SITE PRIOR TO INSTALLATION.
- DIMENSIONS AS PER CURRENT BUILDING CODE.
- WHERE PERMANENT IDENTIFICATION IS PROVIDED FOR ROOMS AND SPACES, SIGNS SHALL BE INSTALLED ON THE WALL ADJACENT TO THE LATCH SIDE OF THE DOOR, WHERE THERE IS NO WALL SPACE TO THE LATCH SIDE OF THE DOOR, INCLUDING DOUBLE LEAF DOORS, SIGNS SHALL BE PLACED ON THE NEAREST ADJACENT WALL.

2025/01/23 1 ISSUED FOR TENDER
DATE NO. REVISION

THE DRAWINGS, ARRANGEMENTS, ANNOTATIONS AND GRAPHICAL PRESENTATIONS ON THIS DOCUMENT ARE THE PROPERTY OF EVB ENGINEERING WHO RETAINS OWNERSHIP AND AUTHORITY OF THIS DOCUMENT. IN ITS ENTIRETY THIS DOCUMENT IS AN INSTRUMENT OF SERVICE AND IS THE INTELLECTUAL AND PHYSICAL PROPERTY OF EVB ENGINEERING. AUTHORIZED USE OF THIS DRAWING IS GRANTED SOLELY FOR THE PURPOSE OF THIS SPECIFIC PROJECT AND LOCATION, AND NOT FOR CONSTRUCTION OR USE FOR ANY OTHER PROJECT. COPYRIGHT © 2024 EVB ENGINEERING.



CONSULTANT:
EVB ENGINEERING
800 SECOND STREET WEST
CORNWALL, ONTARIO CANADA, K6J 1H6
TEL: 613-935-3775 | FAX: 613-935-6450
WEBSITE: EVBengineering.com

SUB-CONSULTANT:
C2 Architecture
C2 Architecture Inc.
415 Baseline Road West
Bowmanville, ON L1C 5M2
☎ 905.697.4464

CLIENT:
Greater Napanee
CREATING FOR BOUNDLESS

PROJECT:
NEW NAPANEE WPCP

TITLE:
AODA FLOOR PLANS, NOTES & DETAILS

SCALE: 1:20	JOB NO: 22001
DESIGNED BY:	DATE: 2025/01/23
Designer	DRAWING NO.
DRAWN BY:	
Author	
CHECKED BY:	
Checker	A0005

NAME OF PRACTICE: C2 Architecture Inc.
 415 Baseline Road West
 Bowmanville, ON L1C 5M2

PROJECT NAME: HEADWORKS BUILDING

PROJECT ADDRESS: NAPANEE WATER POLLUTION CONTROL PLANT
 300 WATER ST W, NAPANEE
 ON, K7R 1X3

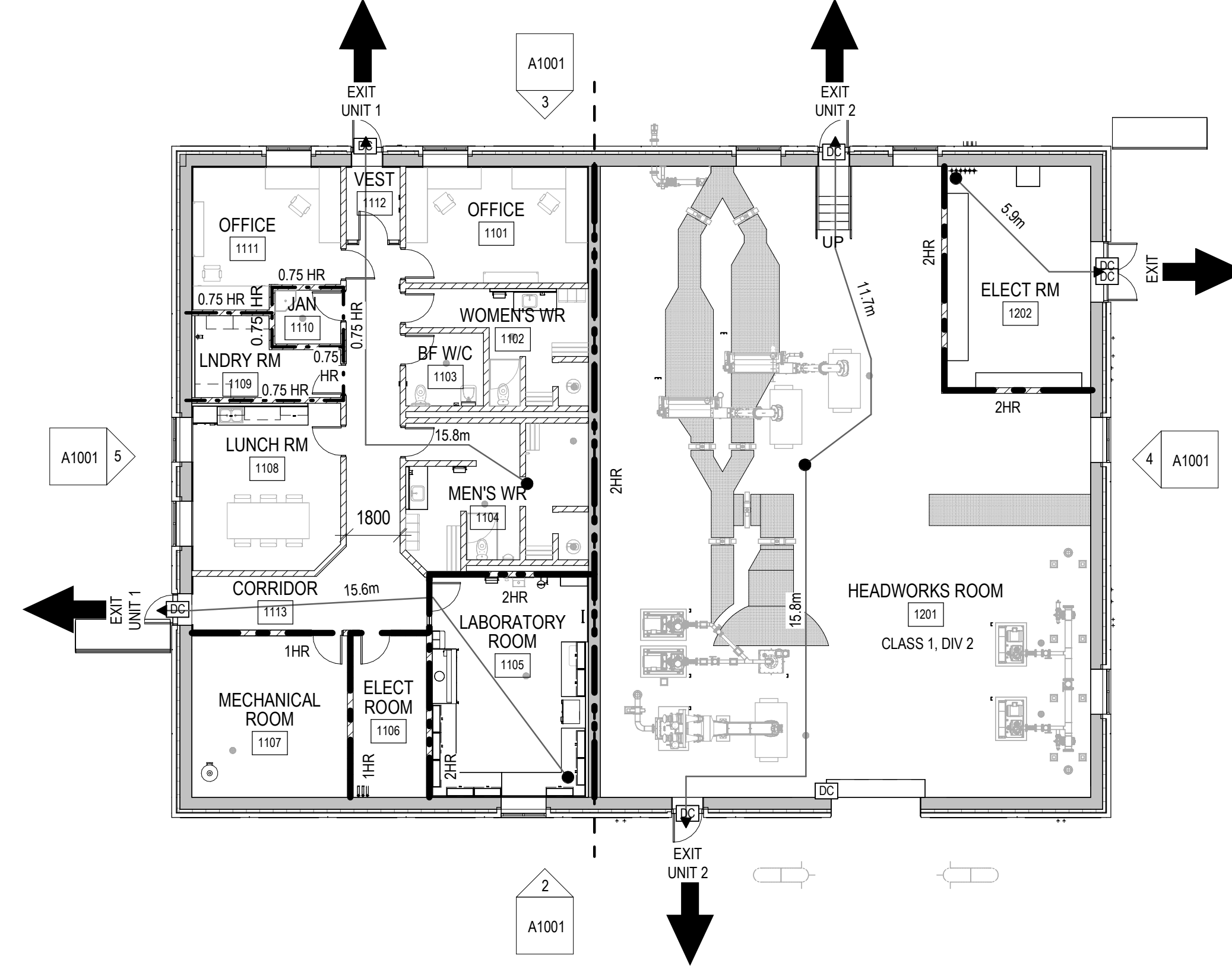
ITEM	ONTARIO BUILDING CODE DATA MATRIX PARTS 3 OR 9				BUILDING CODE REFERENCE	COMMENTS
	PROJECT TYPE	MAJOR OCCUPANCY(S)	BUILDING AREA (m ²)	GROSS AREA (m ²)		
1	PROJECT TYPE: <input checked="" type="checkbox"/> NEW <input type="checkbox"/> ADDITION <input type="checkbox"/> RENOVATION <input type="checkbox"/> PART 11				1.1.2. [A]	1.1.2 [A] & 9.10.1.3
2	MAJOR OCCUPANCY(S): <input type="checkbox"/> CHANGE OF USE <input type="checkbox"/> ADDITION AND RENOVATION	F2 / D	USE: WASTEWATER TREATMENT PLANT		3.1.2.1.(1)	9.10.2
3	BUILDING AREA (m ²): EXISTING: N/A NEW: 705.2 m ² TOTAL: 705.2 m ²				1.1.2.2.(1)(b)(iv)	1.1.2.2. [A]
4	GROSS AREA (m ²): EXISTING: N/A NEW: 705.2 m ² TOTAL: 705.2 m ²				1.1.2.2.(1)(b)(iv)	1.1.2.2. [A]
5	BUILDING HEIGHT: STOREYS ABOVE GRADE: 1 STOREYS BELOW GRADE: 0 (m) ABOVE GRADE: 4.8 m				3.2.1.1.	1.4.1.2. [A] & 9.10.4
6	NUMBER OF STREETS/FIRE FIGHTER ACCESS: 1				3.2.2.10. & 3.2.5	9.10.20
7	BUILDING CLASSIFICATION: MEDIUM HAZARD INDUSTRIAL GROUP DIV: F2 (MAJOR) WITH GROUP D (ADJOINING)				3.2.2.71	9.10.2
8	SPRINKLER SYSTEM: <input type="checkbox"/> REQUIRED <input checked="" type="checkbox"/> NOT REQUIRED				3.2.2.20.-83	1.1.2 [A]
9	STANDPIPE SYSTEM: <input type="checkbox"/> REQUIRED <input checked="" type="checkbox"/> NOT REQUIRED				3.2.1.5.	3.2.2.17. INDEX
10	FIRE ALARM SYSTEM: <input type="checkbox"/> REQUIRED <input checked="" type="checkbox"/> NOT REQUIRED				3.2.4	9.10.18
11	WATER SERVICE/SUPPLY IS ADEQUATE: <input checked="" type="checkbox"/> YES <input type="checkbox"/> NO				3.2.6.7.	N/A
12	HIGH BUILDING: <input type="checkbox"/> YES <input checked="" type="checkbox"/> NO				3.2.6.	N/A
13	CONSTRUCTION RESTRICTIONS: <input checked="" type="checkbox"/> COMBUSTIBLE PERMITTED <input type="checkbox"/> NON-COMBUSTIBLE PERMITTED				3.2.2.20.-83.	9.10.6.
14	MEZZANINE(S) AREA (m ²): EXISTING: N/A NEW: N/A TOTAL: N/A				3.2.1.1.(3)(8)	9.10.4.1.
15	SEISMIC HAZARD INDEX: (Ie Fa Sa (0.2))= 0.459				4.1.2.1.(3) 4.1.8.18.(2)	
16	OCCUPANT LOAD: BASED ON <input type="checkbox"/> m ² /PERSON <input checked="" type="checkbox"/> DESIGN OF BUILDING				3.1.17.	9.9.1.3.
17	BARRIER-FREE DESIGN: <input checked="" type="checkbox"/> YES <input type="checkbox"/> NO (EXPLAIN)				3.8.	9.5.2.
18	HAZARDOUS SUBSTANCES: <input type="checkbox"/> YES <input checked="" type="checkbox"/> NO				3.3.1.2. & 3.3.1.19	9.10.1.3.(4)
19	REQUIRED FIRE RESISTANCE RATING (FRR)	HORIZONTAL ASSEMBLIES	FRR (HOURS)	SUPPORTING ASSEMBLY (HOURS)	NON-COMBUSTIBLE IN LIEU OF RATING?	
20	SPATIAL SEPARATION - CONSTRUCTION OF EXTERIOR WALLS	*REFER TO SECTION 6.1 OF THE CODE REPORT				
21	PLUMBING FIXTURE REQUIREMENTS	3.7.4.				
22	ENERGY EFFICIENCY:	SB-10 Chapter 2 (Table SB 5.5-6-2017)				
23	NOTES:	- UNIT 2 IS NOT REGULARLY OCCUPIED AND IS INTENDED TO SERVE ONLY THE EQUIPMENT WHICH IT CONTAINS				

LIFE SAFETY PLAN GENERAL NOTES

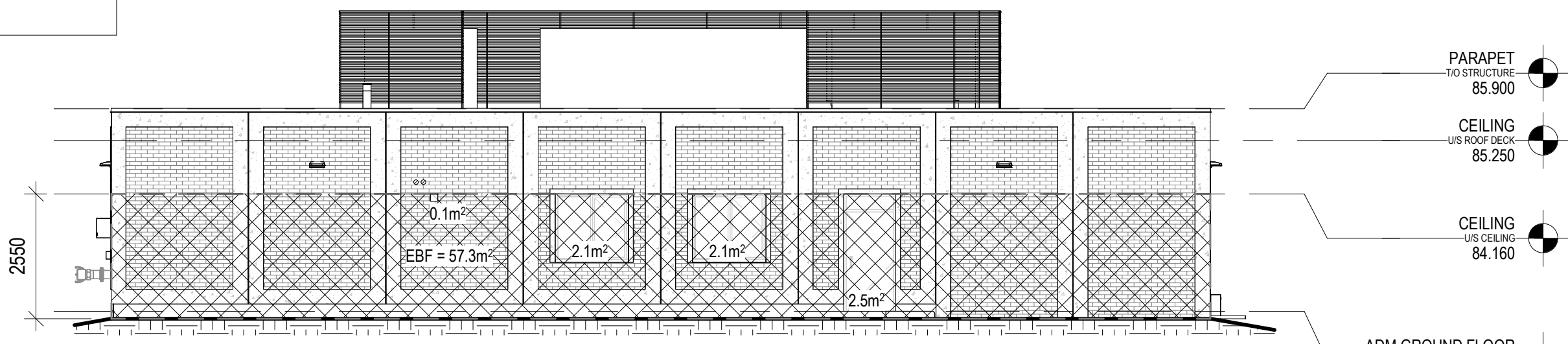
- PROVIDE 2 HOUR FIRE SEPARATIONS FOR ROOMS CONTAINING STORAGE OF MATERIAL GOODS INCLUDING BUT NOT LIMITED TO HEADWORKS ROOM.
- REFER TO MECHANICAL / ELECTRICAL DRAWINGS FOR PROVISIONS REGARDING CLASS 1, DIVISION 2 SPACES.
- REFER TO MECHANICAL DRAWINGS FOR FIRE EXTINGUISHER LOCATIONS.
- SMOKE / HEAT DETECTORS SHOWN FOR REFERENCE ONLY. REFER TO ELECTRICAL DRAWINGS FOR ALL ELECTRICAL FIRE SAFETY EQUIPMENT (INCLUDING BUT NOT LIMITED TO DETECTORS, EMERGENCY LIGHTING, AND EXIT SIGNS).

LIFE SAFETY & FIRE LEGEND

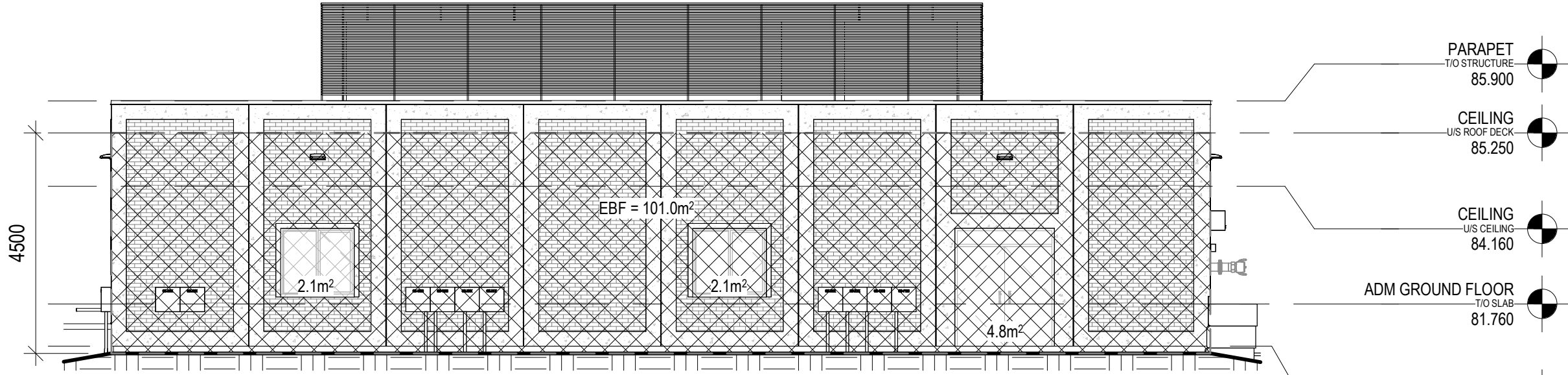
- 0.75HR - 45 MINUTE FIRE RESISTANCE RATING
- 1HR - 1 HOUR FIRE RESISTANCE RATING
- 2HR - 2 HOUR FIRE RESISTANCE RATING
- 5.2m - TRAVEL DISTANCE
- EXIT - EXIT AT GRADE
- SMOKE / HEAT DETECTOR
- AREA OF EXPOSED BUILDING FACE (A)
- AREA OF EXPOSED BUILDING FACE (B)
- 21.2m² - UNPROTECTED OPENING
- CIP WALLS
- INTERIOR CMU WALLS
- EARTH



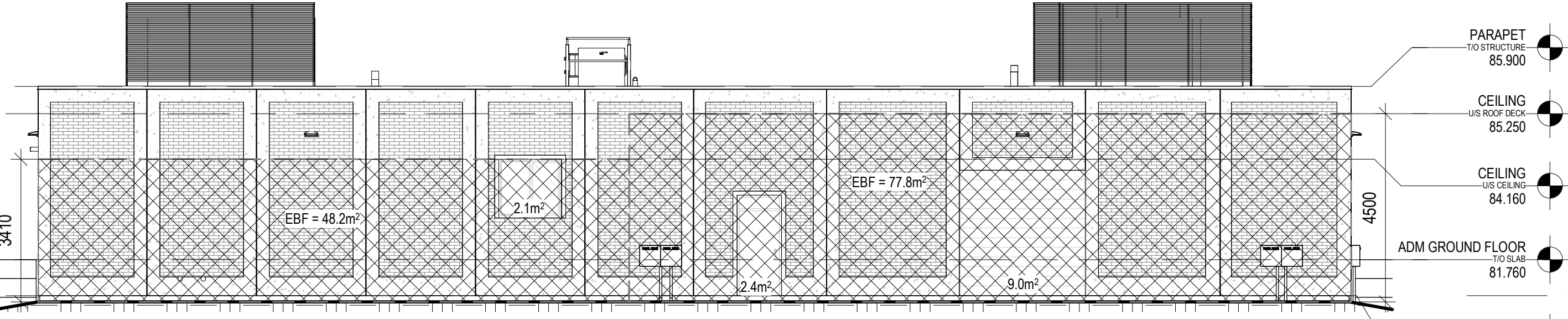
1 HEADWORKS LIFE SAFETY PLAN
 SCALE: 1 : 150



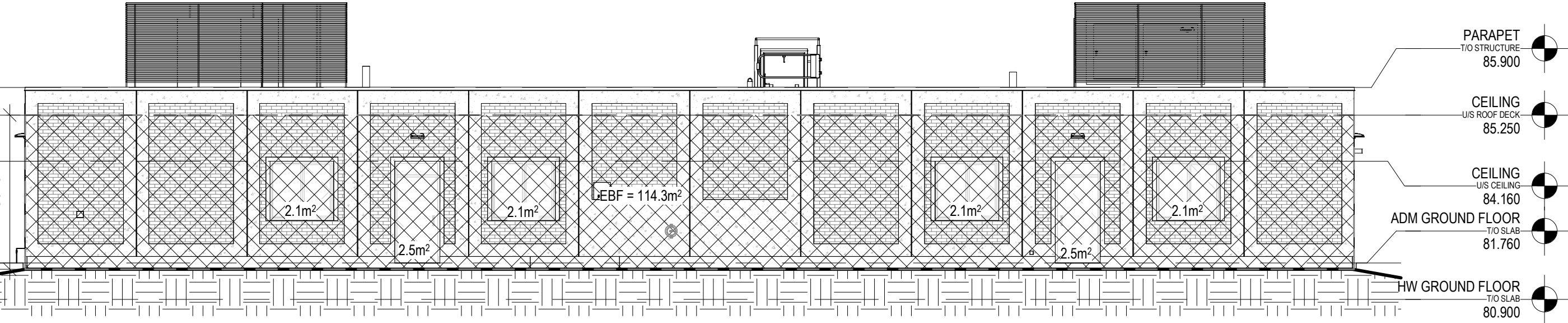
5 EXPOSED BUILDING FACE - WEST
 SCALE: 1 : 100



4 EXPOSED BUILDING FACE - EAST
 SCALE: 1 : 100



2 EXPOSED BUILDING FACE - SOUTH
 SCALE: 1 : 100



3 EXPOSED BUILDING FACE - NORTH
 SCALE: 1 : 100

DATE	NO.	REVISION
2025/01/23	2	ISSUED FOR TENDER
2024/08/23	1	ISSUED FOR ECA APPROVAL

THE DRAWINGS, ARRANGEMENTS, ANNOTATIONS AND GRAPHICAL PRESENTATIONS ON THIS DOCUMENT ARE THE PROPERTY OF EVB ENGINEERING WHO RETAINS OWNERSHIP AND AUTHORITY OF THIS DOCUMENT. IN ITS ENTIRETY THIS DOCUMENT IS AN INSTRUMENT OF SERVICE AND IS THE INTELLECTUAL AND PHYSICAL PROPERTY OF EVB ENGINEERING. AUTHORIZED USE OF THIS DRAWING IS GRANTED SOLELY FOR THE PURPOSE OF THIS SPECIFIC PROJECT AND LOCATION, AND NOT FOR CONSTRUCTION OR USE FOR ANY OTHER PROJECT. COPYRIGHT © 2024 EVB ENGINEERING.

ONTARIO ASSOCIATION OF ARCHITECTS
 GUYL CULPIN
 LICENSE 4513

PROJECT NORTH
 T.N. = TRUE NORTH

CONSULTANT:

EVB ENGINEERING
 800 SECOND STREET WEST
 CORNWALL, ONTARIO CANADA, K6J 1H6
 TEL: 613-935-3775 | FAX: 613-935-6450
 WEBSITE: EVBengineering.com

SUB-CONSULTANT:

C2 Architecture
 C2 Architecture Inc.
 415 Baseline Road West
 Bowmanville, ON L1C 5M2
 ☎ 905.697.4464

CLIENT:

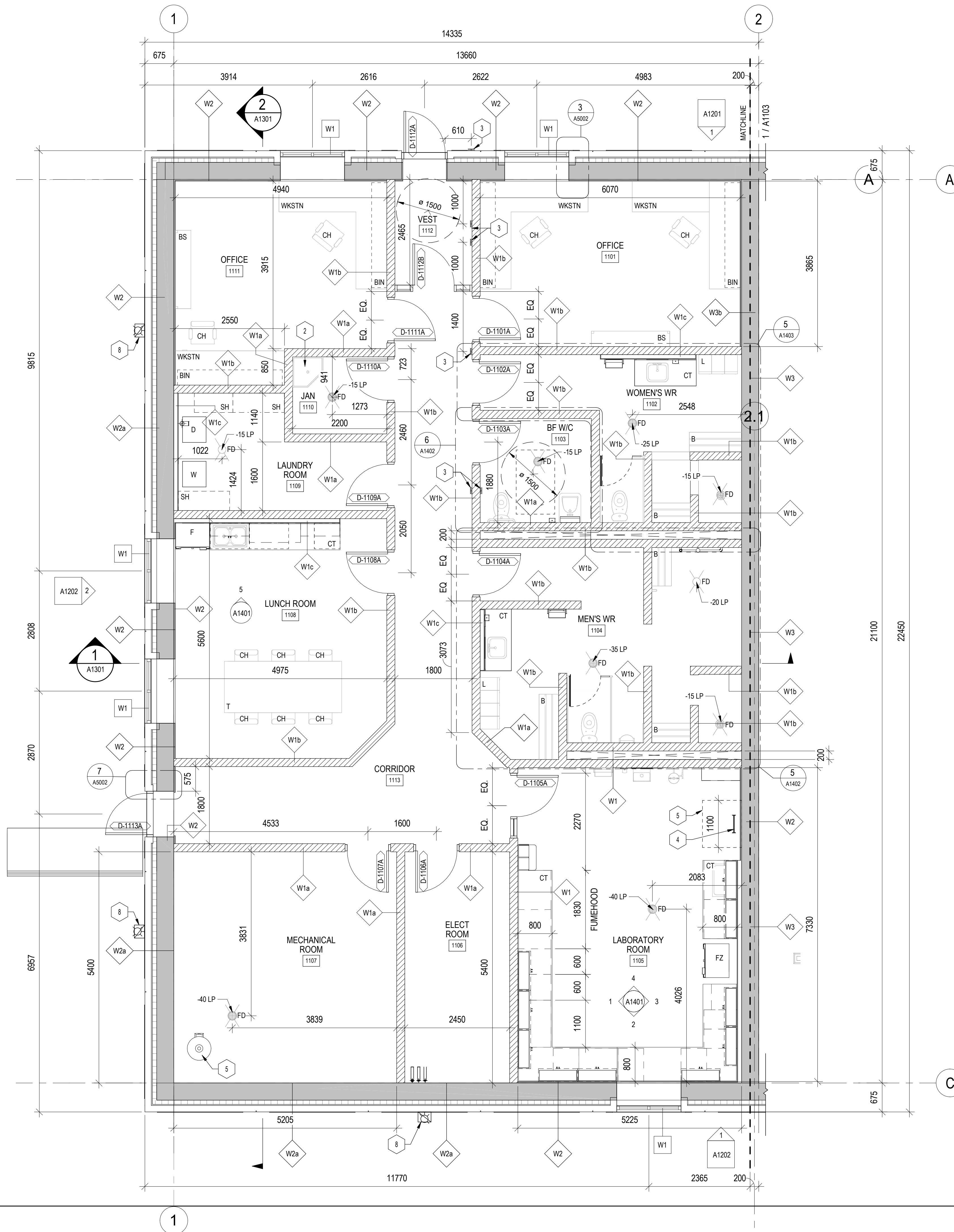
Greater Napanee
 Greater for Many Reasons

PROJECT: **NEW NAPANEE WPCP**

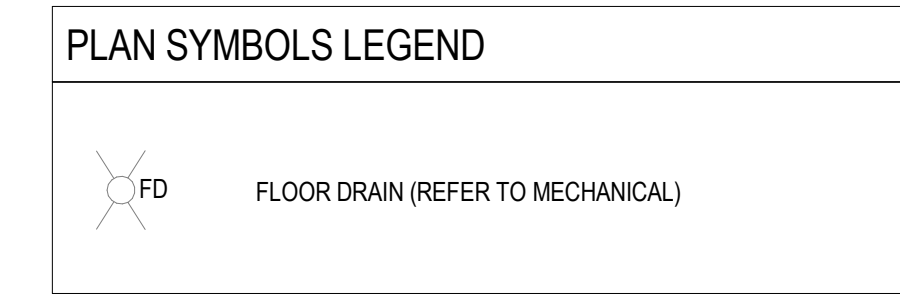
TITLE: **HEADWORKS BUILDING OBC MATRIX, LIFE SAFETY PLANS & EBF ELEVATIONS**

SCALE:	JOB NO:
As indicated	22001
DESIGNED BY:	DATE:
LC	2025/01/23
DRAWN BY:	DRAWING NO.:
BB/CH	A1001
CHECKED BY:	JS

2025-01-22 1:45:22 PM Autodesk Docs://22001 - Napanee New WPCP/A24 - Napanee WPCP Upgrades.rvt



- ### PLAN GENERAL NOTES
- REFER TO ELECTRICAL DRAWINGS/SPECIFICATIONS FOR ALL QUANTITIES/LOCATIONS OF ELECTRICAL RECEPTACLES.
 - REFER TO MECHANICAL DRAWINGS/SPECIFICATIONS FOR ALL QUANTITIES/LOCATIONS OF MECHANICAL RECEPTACLES.
 - REFER TO INTERIOR ELEVATION DRAWINGS FOR ALL MILLWORK SCOPE/DETAILS.
 - UNLESS OTHERWISE INDICATED, LIGHTING TO BE CENTERED BETWEEN INTERIOR PARTITIONS OF BOUNDING ROOM.
 - ALL BULKHEAD WIDTHS SUBJECT TO SITE CONFIRMATION.
 - WHERE NO WALL FINISH HAS BEEN NOTED ON THE ELEVATIONS, THE WALL FINISH SHALL BE PAINT.
 - REFER TO ROOM FINISH SCHEDULE FOR FLOOR FINISHES
 - PLEASE NOTE, NOT ALL PLAN BASED EXTERIOR DETAILS ARE CALLED OUT IN THE PLANS. EXTERIOR DETAILS ARE LABELED TYP. WHERE THEY ARE TYPICAL, CONTRACTOR TO REVIEW ALL CONTRACT DOCUMENTS TO IDENTIFY QUANTITY AND LOCATION.



- ### PLAN KEYNOTES
- DOOR OPERATOR PUSH BUTTONS.
 - MOP SINK (REFER TO MECHANICAL)
 - PUSH BUTTON
 - ROOF ACCESS LADDER
 - DASHED LINE OF ROOF ACCESS HATCH ABOVE
 - MECHANICAL EQUIPMENT (REFER TO MECHANICAL)
 - TRENCH DRAIN (REFER TO STRUCTURAL & MECHANICAL)
 - ELECTRICAL EQUIPMENT (REFER TO ELECTRICAL)
 - PROCESS CHANNELS COVERED WITH REMOVABLE CHECKERED PLATE
 - ELEVATED CONCRETE CURB FOR EQUIPMENT
 - PROCESS EQUIPMENT (REFER TO PROCESS)

FURNITURE / EQUIPMENT ABBREVIATIONS

WKSTN	WORKSTATION
CH	CHAIR
BS	BOOKSHELF
SH	SHELF
F	FRIDGE
T	TABLE
CT	COUNTER TOP
FZ	FREEZER
B	BENCH
L	LOCKER
W	WASHER
D	DRYER
BIN	OVERHEAD BIN WITH FLIPPER DOOR

DATE	NO.	REVISION
2025/01/23	2	ISSUED FOR TENDER
2024/06/23	1	ISSUED FOR ECA APPROVAL

THE DRAWINGS, ARRANGEMENTS, ANNOTATIONS AND GRAPHICAL PRESENTATIONS ON THIS DOCUMENT ARE THE PROPERTY OF EVB ENGINEERING WHO RETAINS OWNERSHIP AND AUTHORITY OF THIS DOCUMENT IN ITS ENTIRETY. THIS DOCUMENT IS AN INSTRUMENT OF SERVICE AND IS THE INTELLECTUAL AND PHYSICAL PROPERTY OF EVB ENGINEERING. AUTHORIZED USE OF THIS DRAWING IS GRANTED SOLELY FOR THE PURPOSE OF THIS SPECIFIC PROJECT AND LOCATION, AND NOT FOR CONSTRUCTION OR USE FOR ANY OTHER PROJECT. COPYRIGHT © 2024 EVB ENGINEERING.

ONTARIO ASSOCIATION OF ARCHITECTS
 GUYL CULPIN
 LICENCE 4813

PROJECT NORTH

T.N. = TRUE NORTH

CONSULTANT:

EVB ENGINEERING

800 SECOND STREET WEST
 CORNWALL, ONTARIO CANADA, K6J 1H6
 TEL: 613-935-3775 | FAX: 613-935-6450
 WEBSITE: EVBengineering.com

SUB-CONSULTANT:

C2 Architecture
 C2 Architecture Inc.
 415 Baseline Road West
 Bowmanville, ON L1C 5M2
 ☎ 905.697.4464

CLIENT:

Greater Napanee
 GREATER FOR SMART BUSINESS

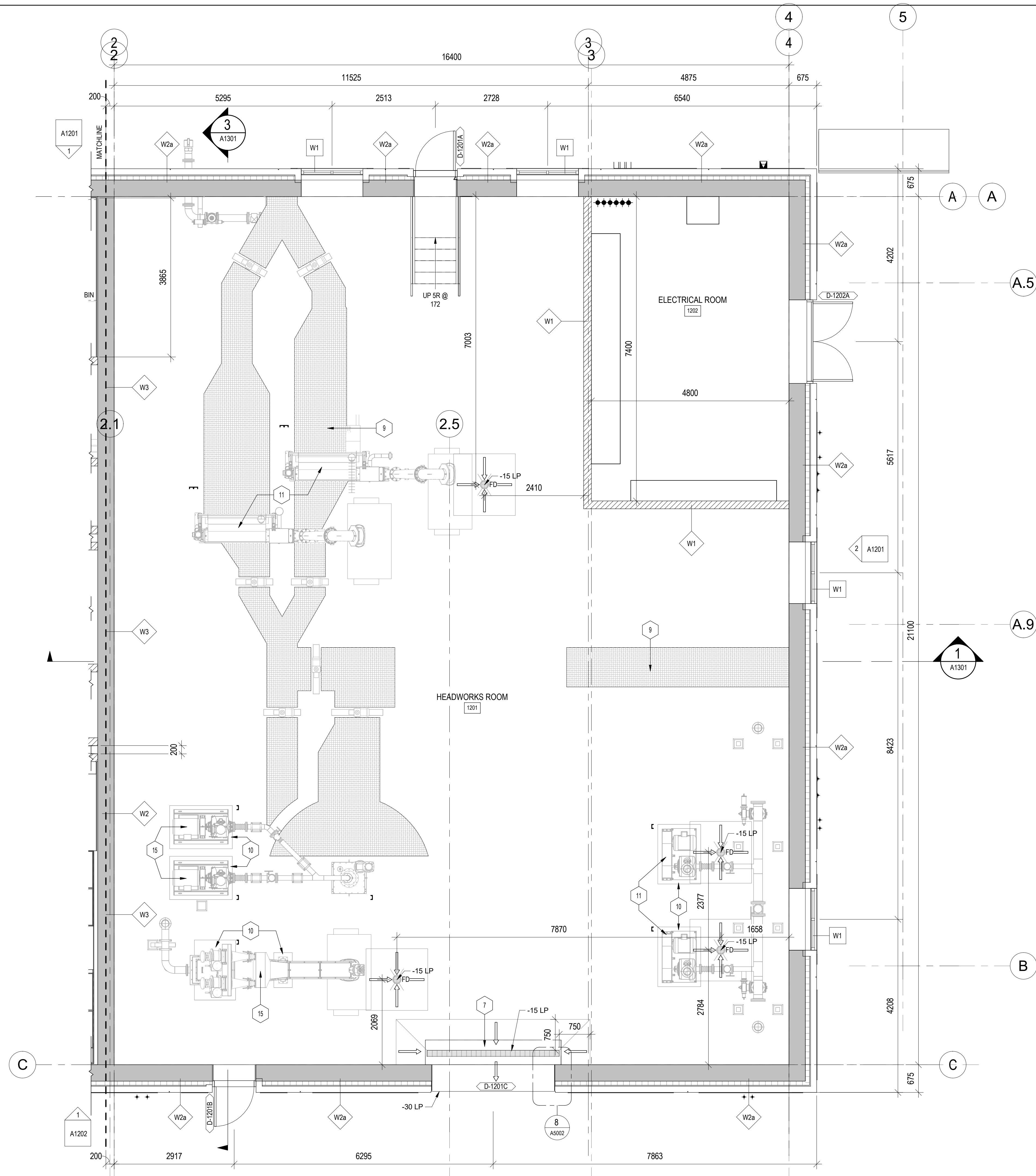
PROJECT:

NEW NAPANEE WPCP

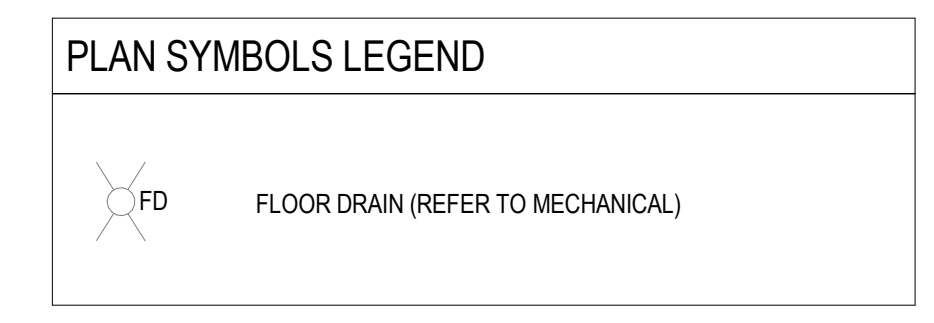
TITLE:

**HEADWORKS BUILDING
 PARTIAL GROUND FLOOR
 PLAN (ADMINISTRATION)**

SCALE: 1:50	JOB NO: 22001
DESIGNED BY: LC	DATE: 2025/01/23
DRAWN BY: BB/CH	DRAWING NO.:
CHECKED BY: JS	A1102



- ### PLAN GENERAL NOTES
- REFER TO ELECTRICAL DRAWINGS/SPECIFICATIONS FOR ALL QUANTITIES/LOCATIONS OF ELECTRICAL RECEPTACLES.
 - REFER TO MECHANICAL DRAWINGS/SPECIFICATIONS FOR ALL QUANTITIES/LOCATIONS OF MECHANICAL RECEPTACLES.
 - REFER TO INTERIOR ELEVATION DRAWINGS FOR ALL MILLWORK SCOPE/DETAILS.
 - UNLESS OTHERWISE INDICATED, LIGHTING TO BE CENTERED BETWEEN INTERIOR PARTITIONS OF BOUNDING ROOM.
 - ALL BULKHEAD WIDTHS SUBJECT TO SITE CONFIRMATION.
 - WHERE NO WALL FINISH HAS BEEN NOTED ON THE ELEVATIONS, THE WALL FINISH SHALL BE PAINT.
 - REFER TO ROOM FINISH SCHEDULE FOR FLOOR FINISHES
 - PLEASE NOTE, NOT ALL PLAN BASED EXTERIOR DETAILS ARE CALLED OUT IN THE PLANS. EXTERIOR DETAILS ARE LABELED TYP. WHERE THEY ARE TYPICAL, CONTRACTOR TO REVIEW ALL CONTRACT DOCUMENTS TO IDENTIFY QUANTITY AND LOCATION.



- ### PLAN KEYNOTES
- DOOR OPERATOR PUSH BUTTONS.
 - MOP SINK (REFER TO MECHANICAL)
 - PUSH BUTTON
 - ROOF ACCESS LADDER
 - DASHED LINE OF ROOF ACCESS HATCH ABOVE
 - MECHANICAL EQUIPMENT (REFER TO MECHANICAL)
 - TRENCH DRAIN (REFER TO STRUCTURAL & MECHANICAL)
 - ELECTRICAL EQUIPMENT (REFER TO ELECTRICAL)
 - PROCESS CHANNELS COVERED WITH REMOVABLE CHECKERED PLATE
 - ELEVATED CONCRETE CURB FOR EQUIPMENT
 - PROCESS EQUIPMENT (REFER TO PROCESS)

DATE	NO.	REVISION
2025/01/23	2	ISSUED FOR TENDER
2024/06/23	1	ISSUED FOR ECA APPROVAL

THE DRAWINGS, ARRANGEMENTS, ANNOTATIONS AND GRAPHICAL PRESENTATIONS ON THIS DOCUMENT ARE THE PROPERTY OF EVB ENGINEERING WHO RETAINS OWNERSHIP AND AUTHORSHIP OF THIS DOCUMENT. IN ITS ENTIRETY THIS DOCUMENT IS AN INSTRUMENT OF SERVICE AND IS THE INTELLECTUAL AND PHYSICAL PROPERTY OF EVB ENGINEERING. AUTHORIZED USE OF THIS DRAWING IS GRANTED SOLELY FOR THE PURPOSE OF THIS SPECIFIC PROJECT AND LOCATION, AND NOT FOR CONSTRUCTION OR USE FOR ANY OTHER PROJECT. COPYRIGHT © 2024 EVB ENGINEERING.

ONTARIO ASSOCIATION
OF
ARCHITECTS
GUY L. COULP
LICENCE
4813

PROJECT
NORTH

T.N. = TRUE NORTH

CONSULTANT:

800 SECOND STREET WEST
CORNWALL, ONTARIO CANADA, K6J 1H6
TEL: 613-935-3775 | FAX: 613-935-6450
WEBSITE: EVBengineering.com

SUB-CONSULTANT:

C2 Architecture Inc.
415 Baseline Road West
Bowmanville, ON L1C 5M2
905.697.4464

CLIENT:

Greater Napanee
GRANDS FOR MANY REASONS

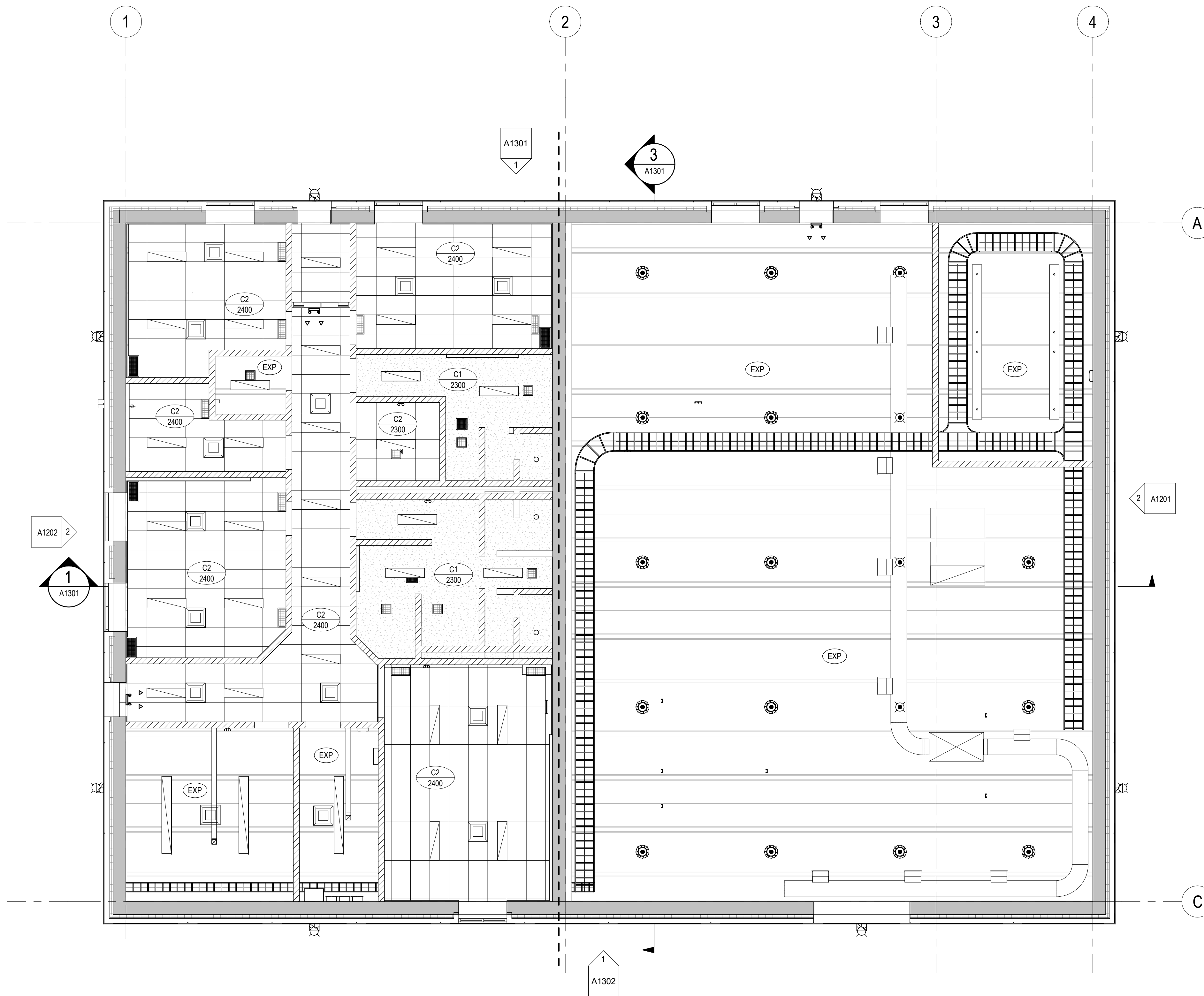
PROJECT:

NEW NAPANEE WPCP

TITLE:

**HEADWORKS BUILDING
PARTIAL GROUND FLOOR
PLAN (HEADWORKS)**

SCALE: 1:50	JOB NO: 22001
DESIGNED BY: LC	DATE: 2025/01/23
DRAWN BY: BB/CH	DRAWING NO.:
CHECKED BY: JS	A1103



CEILING PLAN GENERAL NOTES

1. REFER TO *ELECTRICAL DRAWINGS* / SPECIFICATIONS FOR ALL LIGHTING FIXTURE TYPES AND LAYOUTS.
2. REFER TO *MECHANICAL DRAWINGS* / SPECIFICATIONS FOR ALL FIRE PROTECTION / DIFFUSER TYPES AND LAYOUTS
3. REFER TO *ARCHITECTURAL SPECIFICATIONS* FOR ALL CEILING TYPES AND SYSTEMS.
4. REFER TO *ROOM FINISH SCHEDULE* FOR MATERIAL APPLICATION ON EXPOSED UNDERSIDE OF ROOF DECK.
5. ALL EXPOSED ROUTING OF ELECTRICAL SERVICES ON CEILINGS / LEVELS ABOVE TO BE REVIEWED ONSITE WITH ARCHITECT PRIOR TO INSTALLATION.
6. PROVIDE ALL NECESSARY SUPPORTS FOR ALL (BUT NOT LIMITED TO) CEILING TRACKS, PRIVACY CURTAINS AND ROLLER SHADES AS RECOMMENDED BY MANUFACTURERS.
7. UNLESS OTHERWISE NOTED, CEILING MOUNTED DEVICES IN ACT TILES TO BE LOCATED IN THE CENTER OF TILE.
8. PROVIDE CONCEALED BRACING TO LATERALLY STABILIZE SUSPENDED CEILINGS WHERE CEILINGS ARE NOT FASTENED TO WALLS.

REFLECTED CEILING PLAN LEGEND

- GYPSUM WALL BOARD CEILING (REFER TO CONSTRUCTION ASSEMBLIES)
- ACOUSTIC CEILING TILE (REFER TO CONSTRUCTION ASSEMBLIES)
- CEILING MOUNTED LINEAR LUMINAIRE (REFER TO ELECTRICAL DRAWINGS)
- CEILING MOUNTED LIGHT FIXTURE (REFER TO ELECTRICAL DRAWINGS)
- EXIT SIGN - RUNNING MAN
- EMERGENCY LIGHTING
- EXPOSED CONSTRUCTION
- EXHAUST DIFFUSER (REFER TO MECHANICAL)
- RETURN GRILLE (REFER TO MECHANICAL)

CEILING PLAN KEYNOTES

- MECHANICAL DUCT (REFER TO MECHANICAL)
- LIGHT FIXTURE (REFER TO ELECTRICAL)
- ROOF ACCESS LADDER (REFER TO STRUCTURAL)

2025/01/23 2 ISSUED FOR TENDER
 2024/06/23 1 ISSUED FOR ECA APPROVAL

DATE	NO.	REVISION

THE DRAWINGS, ARRANGEMENTS, ANNOTATIONS AND GRAPHICAL PRESENTATIONS ON THIS DOCUMENT ARE THE PROPERTY OF EVB ENGINEERING WHO RETAINS OWNERSHIP AND AUTHORITY OF THIS DOCUMENT. IN ITS ENTIRETY THIS DOCUMENT IS AN INSTRUMENT OF SERVICE AND IS THE INTELLECTUAL AND PHYSICAL PROPERTY OF EVB ENGINEERING. AUTHORIZED USE OF THIS DRAWING IS GRANTED SOLELY FOR THE PURPOSE OF THIS SPECIFIC PROJECT AND LOCATION, AND NOT FOR CONSTRUCTION OR USE FOR ANY OTHER PROJECT. COPYRIGHT © 2024 EVB ENGINEERING.

ONTARIO ASSOCIATION OF ARCHITECTS
 01/22/2025
 GUY L. COLE
 LICENCE 4813

PROJECT NORTH

T.N. = TRUE NORTH

CONSULTANT:

EVB ENGINEERING

800 SECOND STREET WEST
 CORNWALL, ONTARIO CANADA, K6J 1H6
 TEL: 613-935-3775 | FAX: 613-935-6450
 WEBSITE: EVBengineering.com

SUB-CONSULTANT:

C2 Architecture
 C2 Architecture Inc.
 415 Baseline Road West
 Bowmanville, ON L1C 5M2
 905.697.4464

CLIENT:

Greater Napanee
 GREATER FOR BARRIERS

PROJECT:

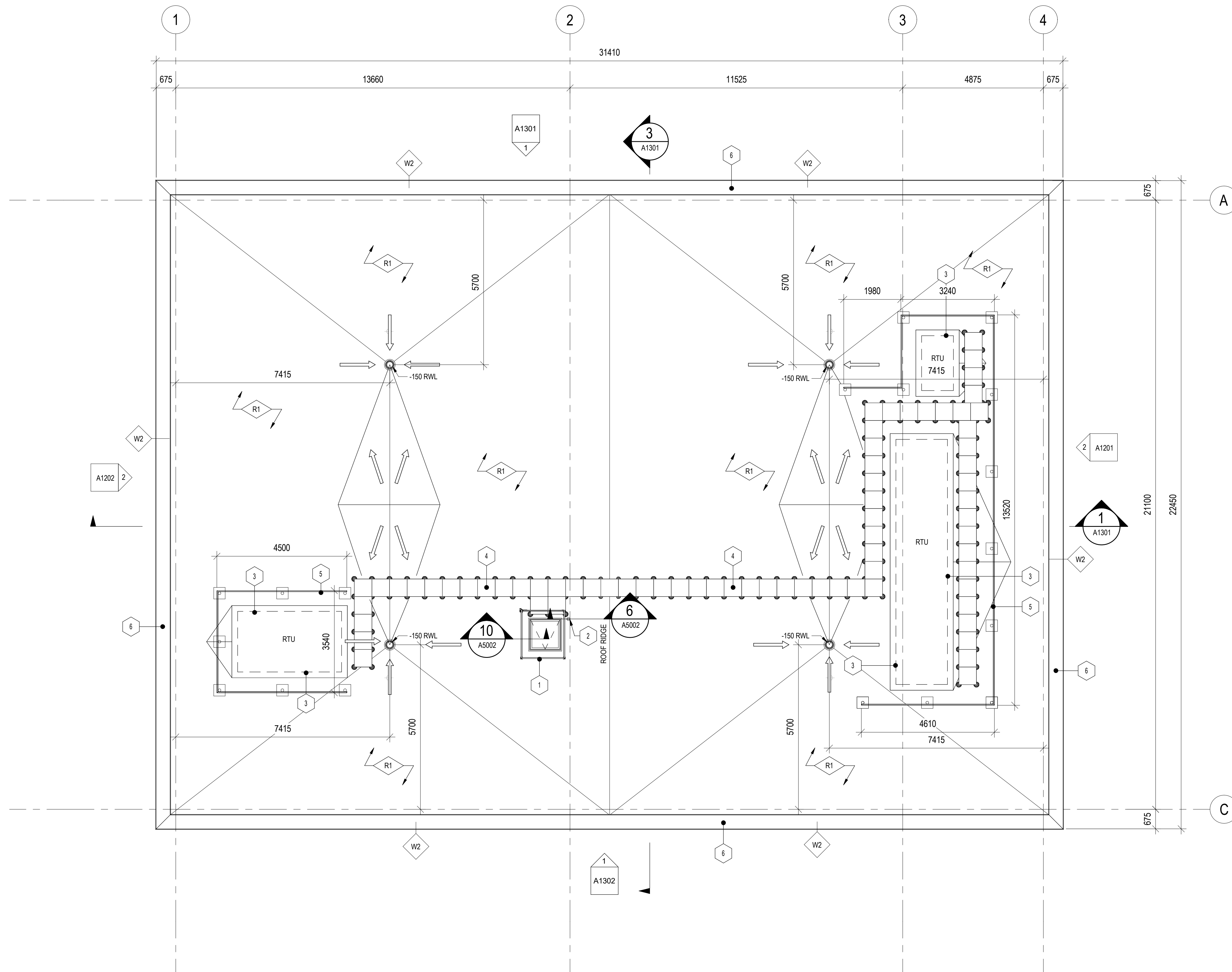
NEW NAPANEE WPCP

TITLE:

**HEADWORKS BUILDING
 REFLECTED CEILING PLAN**

SCALE: 1 : 75	JOB NO: 22001
DESIGNED BY: LC	DATE: 2025/01/23
DRAWN BY: BB/CH	DRAWING NO. A1104
CHECKED BY: JS	

2025-01-22 1:45:30 PM Autodesk Docs://22001 - Napanee New WPCP/A24 - Napanee WPCP Upgrades.rvt



ROOF PLAN GENERAL NOTES

1. REFER TO ELECTRICAL DRAWINGS/SPECIFICATIONS FOR ALL QUANTITIES/LOCATIONS OF ELECTRICAL RECEPTACLES.
2. REFER TO MECHANICAL DRAWINGS/SPECIFICATIONS FOR ALL QUANTITIES/LOCATIONS OF MECHANICAL RECEPTACLES.
3. REFER TO INTERIOR ELEVATION DRAWINGS FOR ALL MILLWORK SCOPE/DETAILS.
4. UNLESS OTHERWISE INDICATED, LIGHTING TO BE CENTERED BETWEEN INTERIOR PARTITIONS OF BOUNDING ROOM.
5. ALL BULKHEAD WIDTHS SUBJECT TO SITE CONFIRMATION.
6. WHERE NO WALL FINISH HAS BEEN NOTED ON THE ELEVATIONS, THE WALL FINISH SHALL BE PAINT.
7. COORDINATE WITH MECHANICAL CONTRACTOR FOR LOCATION AND QUANTITY OF PLUMBING VENTS. REFER TO VENT PENETRATION DETAIL ON 6 / A5002.

ROOF PLAN SYMBOLS LEGEND

	ROOF ACCESS HATCH
	WATER FLOW DIRECTION
	RAIN WATER LEADER
	CRICKETS FORMED BY TAPERED INSULATION
	ROOFTOP PEDESTAL PAVER SYSTEM

ROOF PLAN KEYNOTES

1. ROOF HATCH SAFETY RAILING SYSTEM WITH GATE
2. ROOF ANCHOR, REFER TO STRUCTURAL
3. LOCATION OF ROOF PEDISTAL FOR MECHANICAL RTU
4. PRECAST CONCRETE PAVERS AND PEDISTALS
5. FREE-STANDING RTU SCREEN
6. PREFINISHED METAL CAP FLASHING

DATE	NO.	REVISION
2025/01/23	2	ISSUED FOR TENDER
2024/06/23	1	ISSUED FOR ECA APPROVAL

THE DRAWINGS, ARRANGEMENTS, ANNOTATIONS AND GRAPHICAL PRESENTATIONS ON THIS DOCUMENT ARE THE PROPERTY OF EVB ENGINEERING WHO RETAINS OWNERSHIP AND AUTHORITY OF THIS DOCUMENT. IN ITS ENTIRETY THIS DOCUMENT IS AN INSTRUMENT OF SERVICE AND IS THE INTELLECTUAL AND PHYSICAL PROPERTY OF EVB ENGINEERING. AUTHORIZED USE OF THIS DRAWING IS GRANTED SOLELY FOR THE PURPOSE OF THIS SPECIFIC PROJECT AND LOCATION, AND NOT FOR CONSTRUCTION OR USE FOR ANY OTHER PROJECT. COPYRIGHT © 2024 EVB ENGINEERING.

ONTARIO ASSOCIATION OF ARCHITECTS
 ARCHITECTS
 GUY L. COULP
 LICENCE 4813

PROJECT NORTH

T.N. = TRUE NORTH

CONSULTANT:

EVB ENGINEERING

800 SECOND STREET WEST
 CORNWALL, ONTARIO CANADA, K6J 1H6
 TEL: 613-935-3775 | FAX: 613-935-6450
 WEBSITE: EVBengineering.com

SUB-CONSULTANT:

C2 Architecture
 C2 Architecture Inc.
 415 Baseline Road West
 Bowmanville, ON L1C 5M2
 905.697.4464

CLIENT:

Greater Napanee
 GREATER FOR BANT BASTION

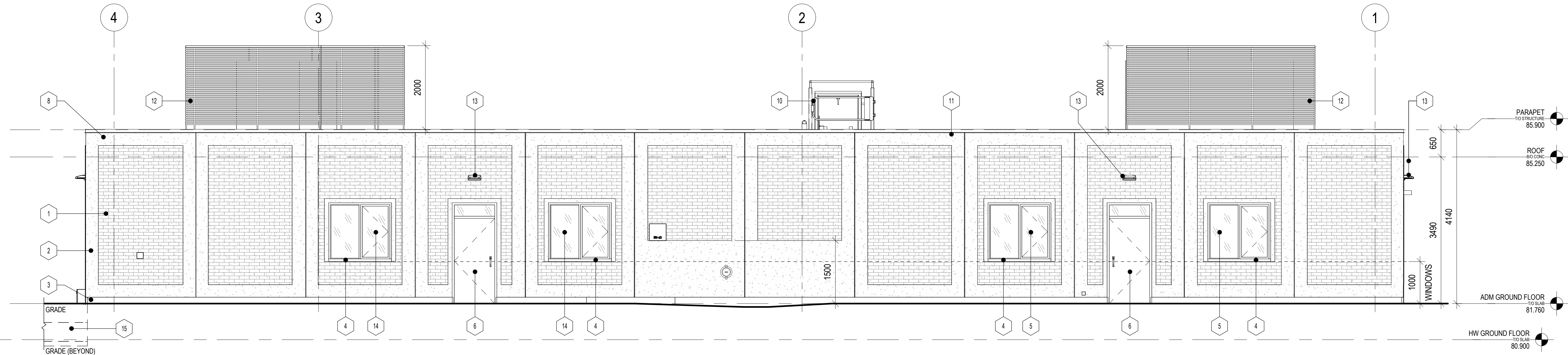
PROJECT:

NEW NAPANEE WPCP

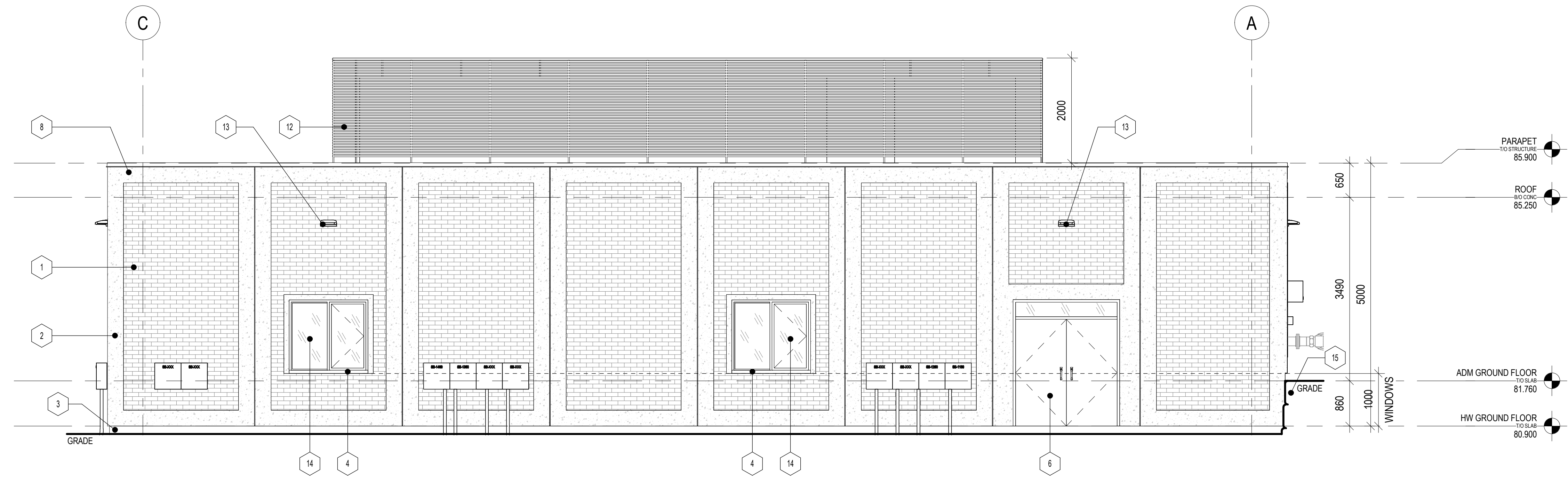
TITLE:

**HEADWORKS BUILDING
 ROOF PLAN**

SCALE: 1 : 75	JOB NO: 22001
DESIGNED BY: LC	DATE: 2025/01/23
DRAWN BY: BB/CH	DRAWING NO.:
CHECKED BY: JS	A1105



1 NORTH ELEVATION
A1201 SCALE: 1:50

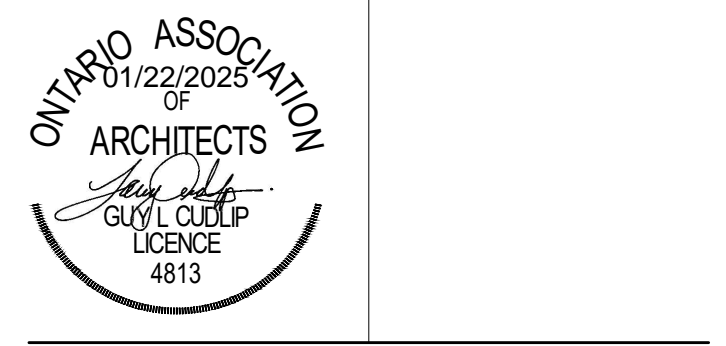


2 EAST ELEVATION
A1201 SCALE: 1:50

- ELEVATION KEYNOTES**
- 1 ARCHITECTURAL PRECAST CONCRETE PANELS (TEXTURED FACE BRICK RELIEF PATTERN, SEALED AND STAINED BY MANUFACTURER)
 - 2 ARCHITECTURAL PRECAST CONCRETE PANELS (SMOOTH FINISH, SEALED BY MANUFACTURER)
 - 3 POURED CONCRETE FOUNDATION (STRUCTURAL)
 - 4 ARCHITECTURAL PRECAST CONCRETE WALL SILL
 - 5 THERMALLY BROKEN CLEAR ANNOZIDED ALUMINUM FRAMES WITH LOW "E" COATED DOUBLE GLAZING
 - 6 INSULATED DOORS AND FRAMES. REFER TO DOOR SCHEDULE FOR MATERIAL AND FINISH
 - 7 INSULATED PREFINISHED DRIVE-IN O/H ACCESS DOOR C/W REQ'D HARDWARE (REFER TO ELECTRICAL)
 - 8 PREFINISHED METAL CAP FLASHING
 - 9 MECHANICAL ROOF TOP UNIT (REFER TO MECHANICAL)
 - 10 SAFETY RAILING SYSTEM WITH GATE
 - 11 MECHANICAL LOUVER (REFER TO MECHANICAL)
 - 12 FREE STANDING RTU SCREEN
 - 13 SURFACE MOUNTED ELECTRICAL LIGHT FIXTURE (REFER TO ELECTRICAL)
 - 14 THERMALLY BROKEN FIBREGLASS REINFORCED PLASTIC FRAMES WITH LOW "E" COATED DOUBLE GLAZING
 - 15 RETAINING WALL (REFER TO CIVIL)
 - 16 GUARDRAIL (REFER TO CIVIL)

DATE	NO.	REVISION
2025/01/23	2	ISSUED FOR TENDER
2024/06/23	1	ISSUED FOR ECA APPROVAL

THE DRAWINGS, ARRANGEMENTS, ANNOTATIONS AND GRAPHICAL PRESENTATIONS ON THIS DOCUMENT ARE THE PROPERTY OF EVB ENGINEERING WHO RETAINS OWNERSHIP AND AUTHORSHIP OF THIS DOCUMENT. IN ITS ENTIRETY THIS DOCUMENT IS AN INSTRUMENT OF SERVICE AND IS THE INTELLECTUAL AND PHYSICAL PROPERTY OF EVB ENGINEERING. AUTHORIZED USE OF THIS DRAWING IS GRANTED SOLELY FOR THE PURPOSE OF THIS SPECIFIC PROJECT AND LOCATION, AND NOT FOR CONSTRUCTION OR USE FOR ANY OTHER PROJECT. COPYRIGHT © 2024 EVB ENGINEERING.



CONSULTANT:
EVB ENGINEERING
 800 SECOND STREET WEST
 CORNWALL, ONTARIO CANADA, K6J 1H6
 TEL: 613-935-3775 | FAX: 613-935-6450
 WEBSITE: EVBengineering.com

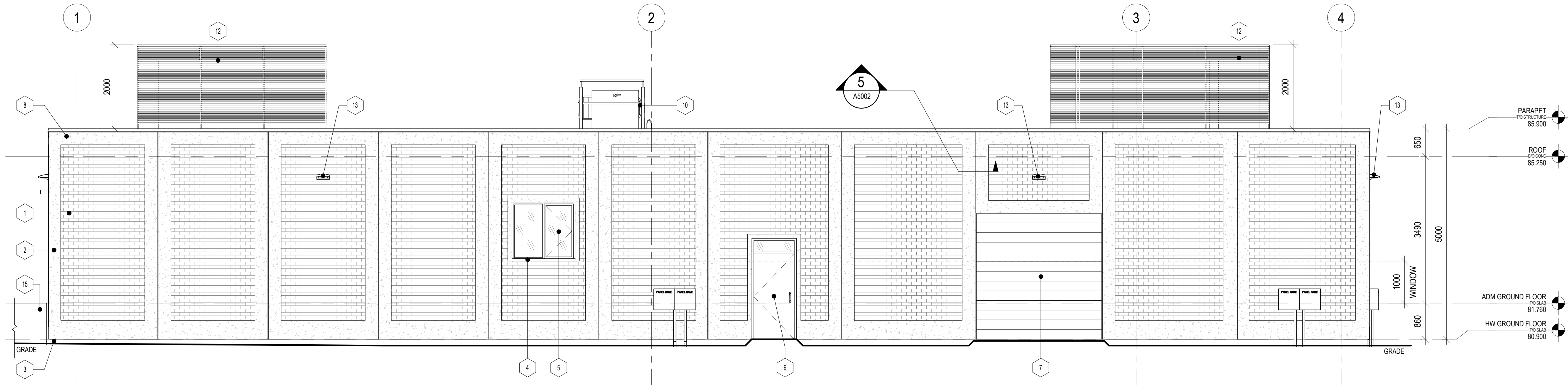
SUB-CONSULTANT:
C2 Architecture
 C2 Architecture Inc.
 415 Baseline Road West
 Bowmanville, ON L1C 5M2
 ☎ 905.697.4464

CLIENT:
Greater Napanee
CREATING FOR BOUNDLESS

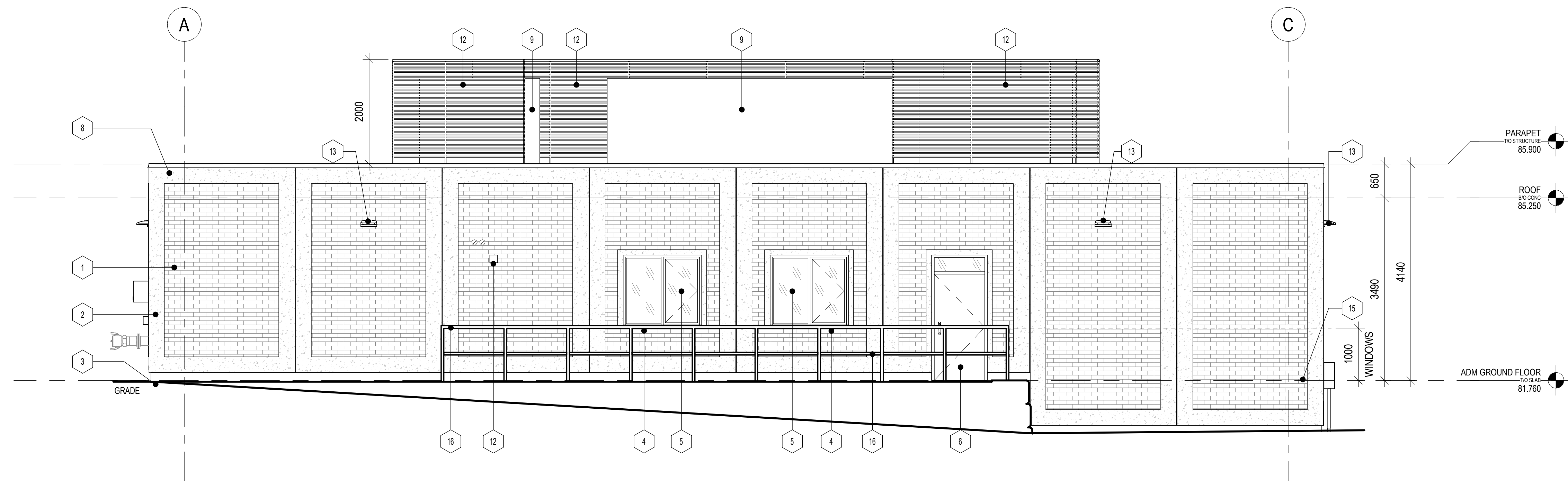
PROJECT:
NEW NAPANEE WPCP

TITLE:
**HEADWORKS BUILDING
 NORTH & EAST ELEVATIONS**

SCALE: 1:50	JOB NO: 22001
DESIGNED BY: LC	DATE: 2025/01/23
DRAWN BY: BB/CH	DRAWING NO.:
CHECKED BY: JS	A1201



1 SOUTH ELEVATION
A1202 SCALE: 1:50



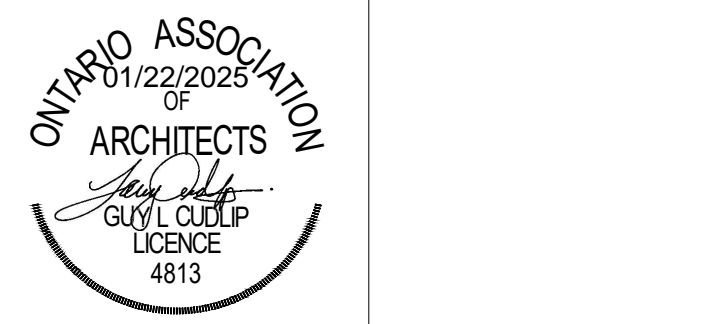
2 WEST ELEVATION
A1202 SCALE: 1:50

ELEVATION KEYNOTES

- 1 ARCHITECTURAL PRECAST CONCRETE PANELS (TEXTURED FACE BRICK RELIEF PATTERN, SEALED AND STAINED BY MANUFACTURER)
- 2 ARCHITECTURAL PRECAST CONCRETE PANELS (SMOOTH FINISH, SEALED BY MANUFACTURER)
- 3 POURED CONCRETE FOUNDATION (STRUCTURAL)
- 4 ARCHITECTURAL PRECAST CONCRETE WALL SILL
- 5 THERMALLY BROKEN CLEAR ANNOZIDED ALUMINUM FRAMES WITH LOW "E" COATED DOUBLE GLAZING
- 6 INSULATED DOORS AND FRAMES. REFER TO DOOR SCHEDULE FOR MATERIAL AND FINISH
- 7 INSULATED PREFINISHED DRIVE-IN O/H ACCESS DOOR C/W REQ'D HARDWARE (REFER TO ELECTRICAL)
- 8 PREFINISHED METAL CAP FLASHING
- 9 MECHANICAL ROOF TOP UNIT (REFER TO MECHANICAL)
- 10 SAFETY RAILING SYSTEM WITH GATE
- 11 MECHANICAL LOUVER (REFER TO MECHANICAL)
- 12 FREE STANDING RTU SCREEN
- 13 SURFACE MOUNTED ELECTRICAL LIGHT FIXTURE (REFER TO ELECTRICAL)
- 14 THERMALLY BROKEN FIBREGLASS REINFORCED PLASTIC FRAMES WITH LOW "E" COATED DOUBLE GLAZING
- 15 RETAINING WALL (REFER TO CIVIL)
- 16 GUARDRAIL (REFER TO CIVIL)

DATE	NO.	REVISION
2025/01/23	2	ISSUED FOR TENDER
2024/06/23	1	ISSUED FOR ECA APPROVAL

THE DRAWINGS, ARRANGEMENTS, ANNOTATIONS AND GRAPHICAL PRESENTATIONS ON THIS DOCUMENT ARE THE PROPERTY OF EVB ENGINEERING WHO RETAINS OWNERSHIP AND AUTHORSHIP OF THIS DOCUMENT. IN ITS ENTIRETY THIS DOCUMENT IS AN INSTRUMENT OF SERVICE AND IS THE INTELLECTUAL AND PHYSICAL PROPERTY OF EVB ENGINEERING. AUTHORIZED USE OF THIS DRAWING IS GRANTED SOLELY FOR THE PURPOSE OF THIS SPECIFIC PROJECT AND LOCATION, AND NOT FOR CONSTRUCTION OR USE FOR ANY OTHER PROJECT. COPYRIGHT © 2024 EVB ENGINEERING.



CONSULTANT:

EVB ENGINEERING
 800 SECOND STREET WEST
 CORNWALL, ONTARIO CANADA, K6J 1H6
 TEL: 613-935-3775 | FAX: 613-935-6450
 WEBSITE: EVBengineering.com

SUB-CONSULTANT:

C2 Architecture Inc.
 415 Baseline Road West
 Bowmanville, ON L1C 5M2
 ☎ 905.697.4464

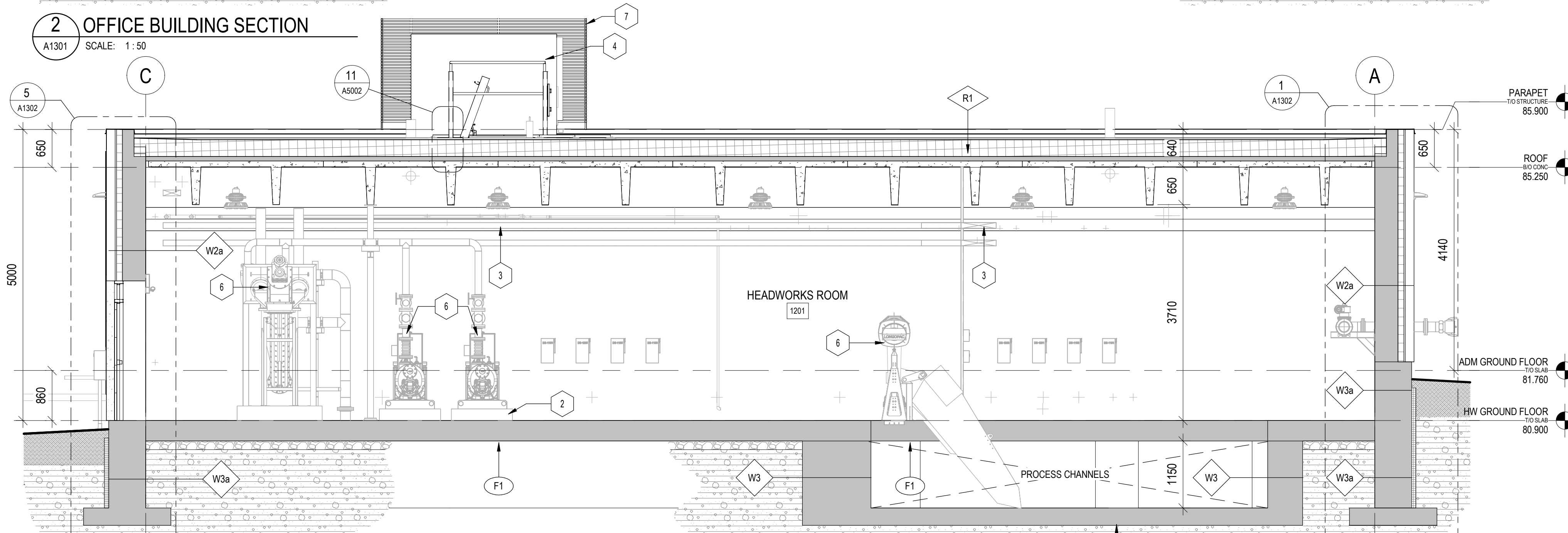
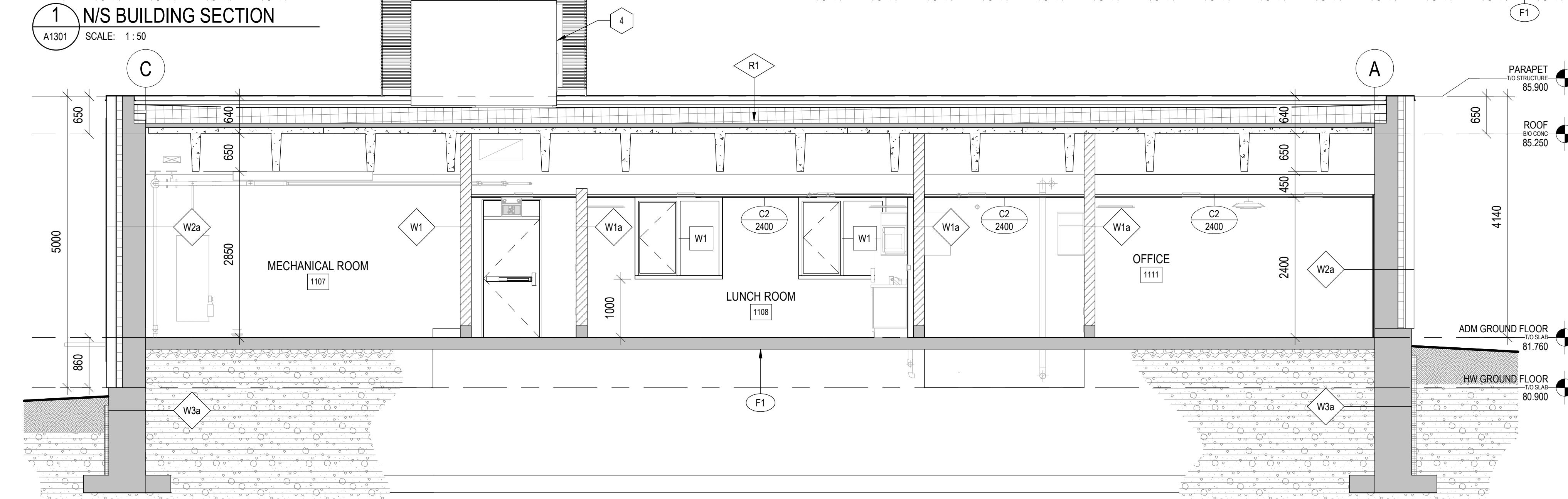
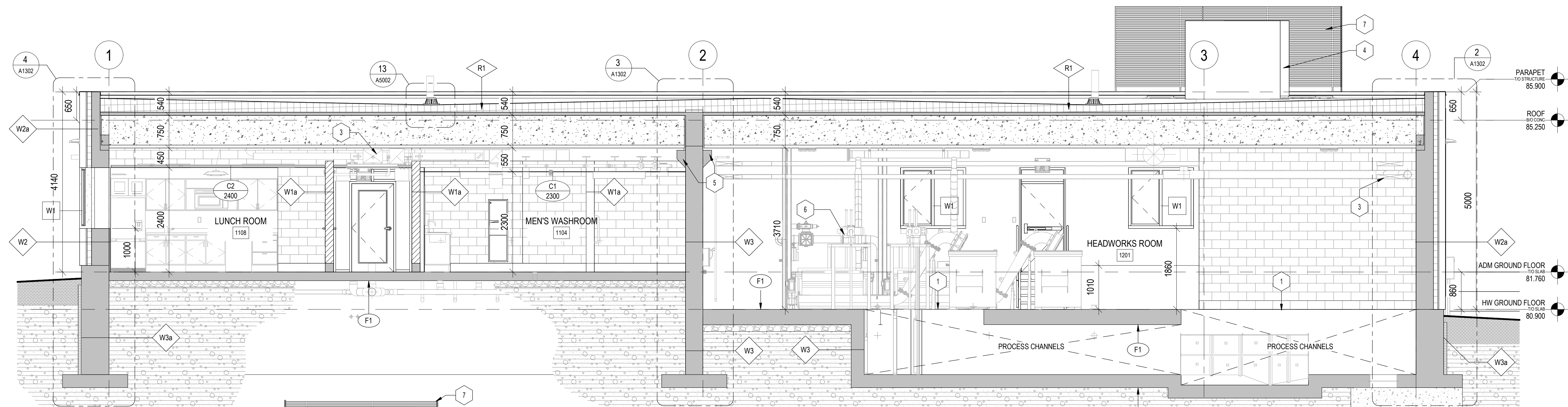
CLIENT:

Greater Napanee
 GREATER FOR BOUND BOUNDING

PROJECT:
NEW NAPANEE WPCP

TITLE:
**HEADWORKS BUILDING
 SOUTH & WEST ELEVATIONS**

SCALE: 1:50	JOB NO: 22001
DESIGNED BY: LC	DATE: 2025/01/23
DRAWN BY: BB/CH	DRAWING NO.:
CHECKED BY: JS	A1202



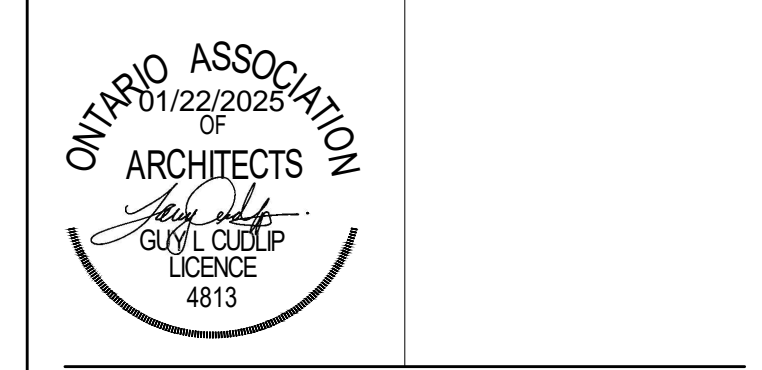
BUILDING SECTION GENERAL NOTES

1. PLEASE NOTE, NOT ALL SECTION BASED EXTERIOR DETAILS ARE CALLED OUT IN THE SECTIONS. EXTERIOR DETAILS ARE LABELED TYP. WHERE THEY ARE TYPICAL CONTRACTOR TO REVIEW ALL CONTRACT DOCUMENTS TO IDENTIFY QUANTITY AND LOCATION.

- BUILDING SECTION KEYNOTES**
- 1 PROCESS CHANNELS COVERED WITH REMOVABLE CHECKERED PLATE
 - 2 CONCRETE CURB FOR EQUIPMENT (REFER TO STRUCTURAL)
 - 3 MECHANICAL DUCTING (REFER TO MECHANICAL)
 - 4 MECHANICAL ROOFTOP UNIT (REFER TO MECHANICAL)
 - 5 CORBEL (REFER TO STRUCTURAL)
 - 6 PROCESS EQUIPMENT (REFER TO PROCESS)
 - 7 ROOFTOP EQUIPMENT SCREEN

DATE	NO.	REVISION
2025/01/23	2	ISSUED FOR TENDER
2024/06/23	1	ISSUED FOR ECA APPROVAL

THE DRAWINGS, ARRANGEMENTS, ANNOTATIONS AND GRAPHICAL PRESENTATIONS ON THIS DOCUMENT ARE THE PROPERTY OF EVB ENGINEERING WHO RETAINS OWNERSHIP AND AUTHORITY OF THIS DOCUMENT. IN ITS ENTIRETY THIS DOCUMENT IS AN INSTRUMENT OF SERVICE AND IS THE INTELLECTUAL AND PHYSICAL PROPERTY OF EVB ENGINEERING. AUTHORIZED USE OF THIS DRAWING IS GRANTED SOLELY FOR THE PURPOSE OF THIS SPECIFIC PROJECT AND LOCATION, AND NOT FOR CONSTRUCTION OR USE FOR ANY OTHER PROJECT. COPYRIGHT © 2024 EVB ENGINEERING.



CONSULTANT:

800 SECOND STREET WEST
CORNWALL, ONTARIO CANADA, K6J 1H6
TEL: 613-935-3775 | FAX: 613-935-6450
WEBSITE: EVBengineering.com

SUB-CONSULTANT:

C2 Architecture Inc.
415 Baseline Road West
Bowmanville, ON L1C 5M2
☎ 905.697.4464

CLIENT:

Greater Napanee
GRANDS FOR MANY REASONS

PROJECT:

NEW NAPANEE WPCP

TITLE:

HEADWORKS BUILDING BUILDING SECTIONS

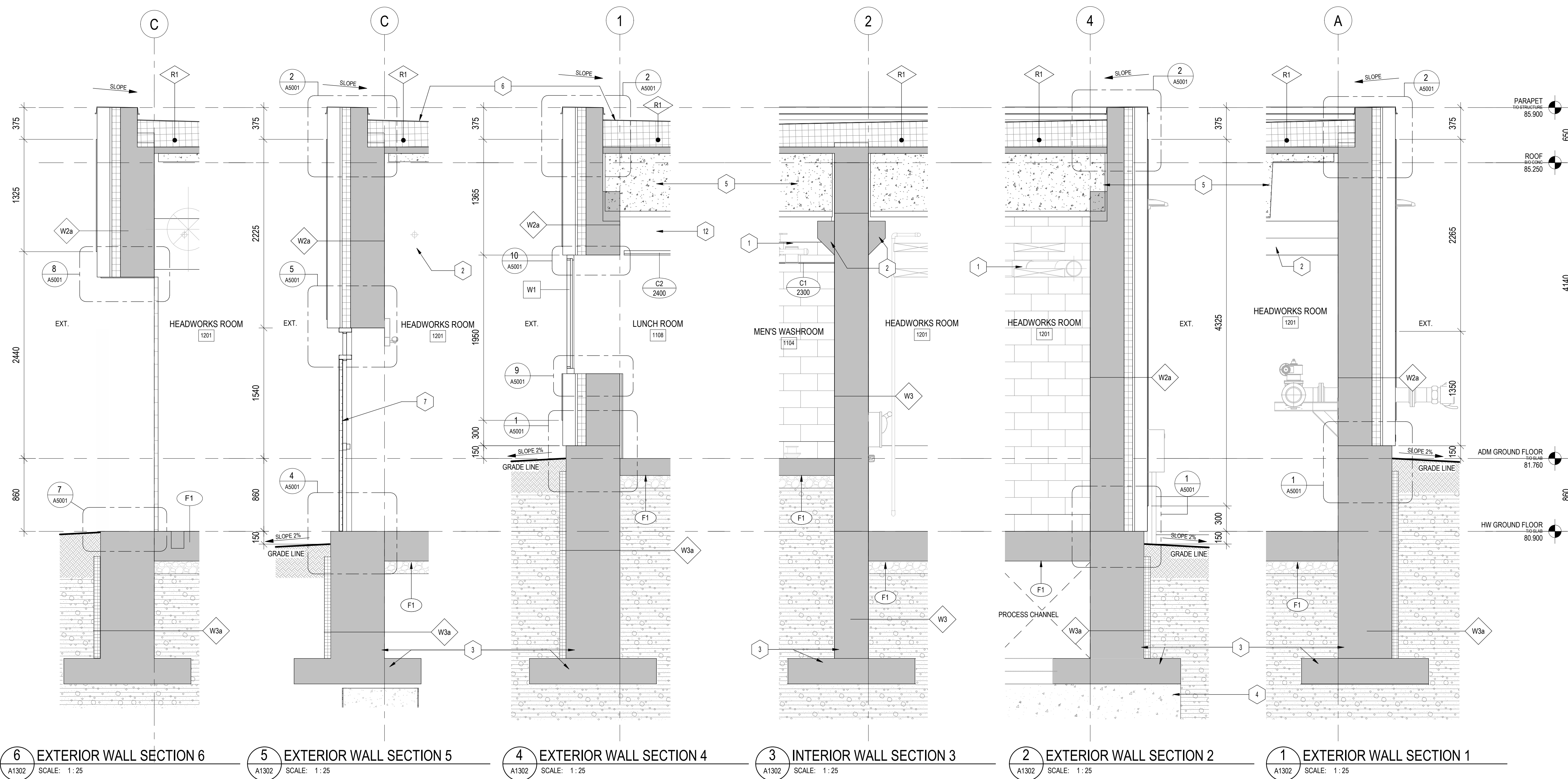
SCALE: 1:50	JOB NO: 22001
DESIGNED BY: LC	DATE: 2025/01/23
DRAWN BY: BB/CH	DRAWING NO.:
CHECKED BY: JS	A1301

WALL SECTION GENERAL NOTES

- PLEASE NOTE, NOT ALL SECTION BASED EXTERIOR DETAILS ARE CALLED OUT IN THE WALL SECTIONS. EXTERIOR DETAILS ARE LABELED TYP. WHERE THEY ARE TYPICAL CONTRACTOR TO REVIEW ALL CONTRACT DOCUMENTS TO IDENTIFY QUANTITY AND LOCATION.

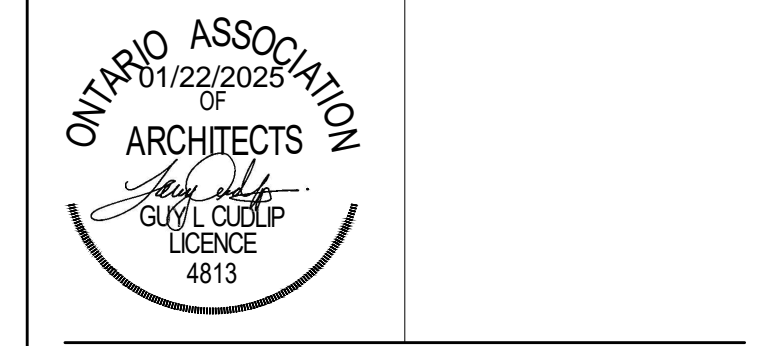
WALL SECTION KEYNOTES

- MECHANICAL DUCTING
- CORBEL
- FOUNDATION WALLS AND FOOTINGS (REFER TO STRUCTURAL)
- LEAN CONCRETE TO ENCASE PIPE (REFER TO STRUCTURAL)
- PRECAST CONCRETE DOUBLE TEE (REFER TO STRUCTURAL)
- PARAPET BEYOND
- THERMALLY BROKEN DOOR AND FRAME (REFER TO DOOR SCHEDULE)



DATE	NO.	REVISION
2025/01/23	2	ISSUED FOR TENDER
2024/06/23	1	ISSUED FOR ECA APPROVAL

THE DRAWINGS, ARRANGEMENTS, ANNOTATIONS AND GRAPHICAL PRESENTATIONS ON THIS DOCUMENT ARE THE PROPERTY OF EVB ENGINEERING WHO RETAINS OWNERSHIP AND AUTHORSHIP OF THIS DOCUMENT. IN ITS ENTIRETY THIS DOCUMENT IS AN INSTRUMENT OF SERVICE AND IS THE INTELLECTUAL AND PHYSICAL PROPERTY OF EVB ENGINEERING. AUTHORIZED USE OF THIS DRAWING IS GRANTED SOLELY FOR THE PURPOSE OF THIS SPECIFIC PROJECT AND LOCATION, AND NOT FOR CONSTRUCTION OR USE FOR ANY OTHER PROJECT. COPYRIGHT © 2024 EVB ENGINEERING.



CONSULTANT:
EVB ENGINEERING
 800 SECOND STREET WEST
 CORNWALL, ONTARIO CANADA, K6J 1H6
 TEL: 613-935-3775 | FAX: 613-935-6450
 WEBSITE: EVBengineering.com

SUB-CONSULTANT:
C2 Architecture
 C2 Architecture Inc.
 415 Baseline Road West
 Bowmanville, ON L1C 5M2
 905.697.4464

CLIENT:
Greater Napanee
 GREATER FOR BARRY BUILDING

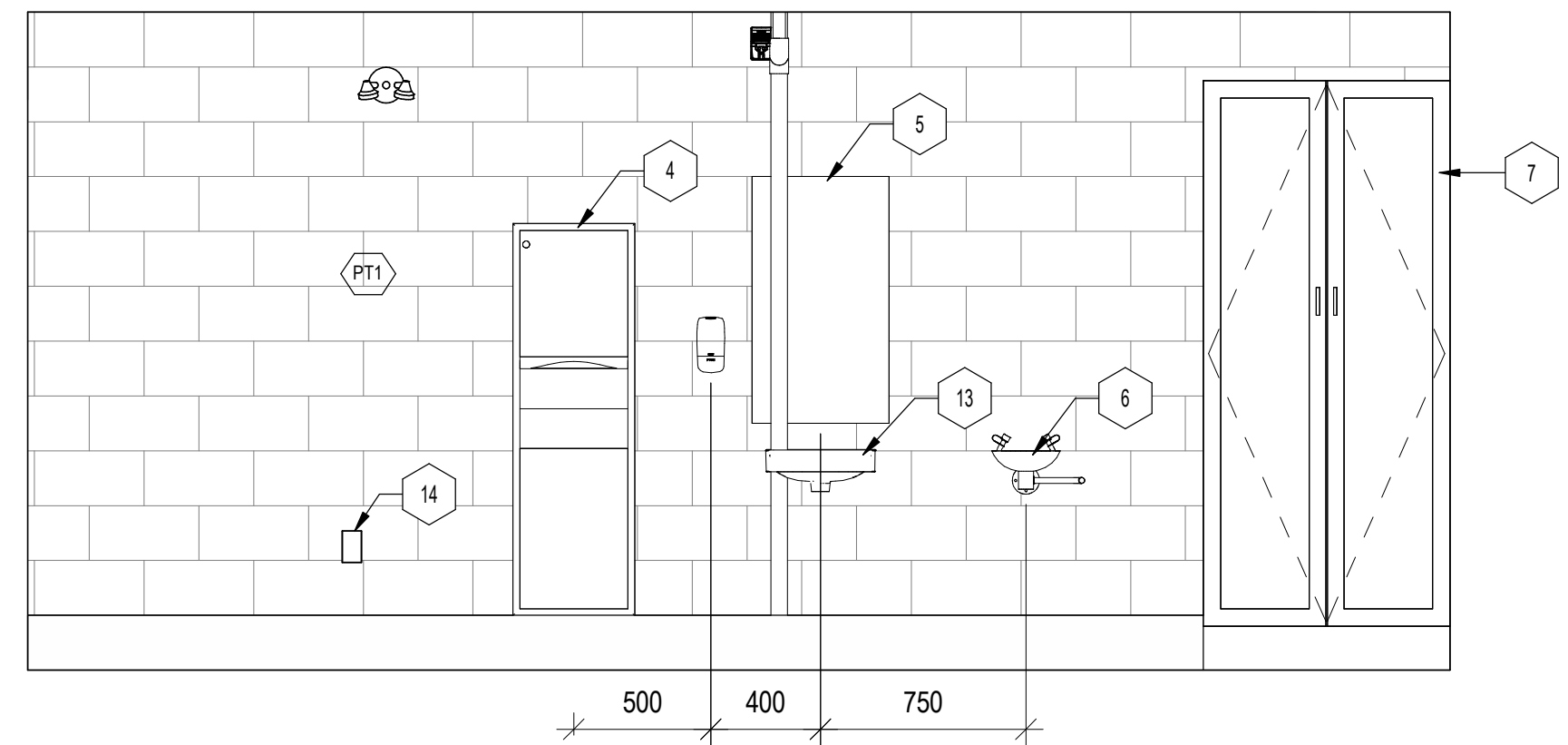
PROJECT:
NEW NAPANEE WPCP

TITLE:
HEADWORKS BUILDING WALL SECTIONS

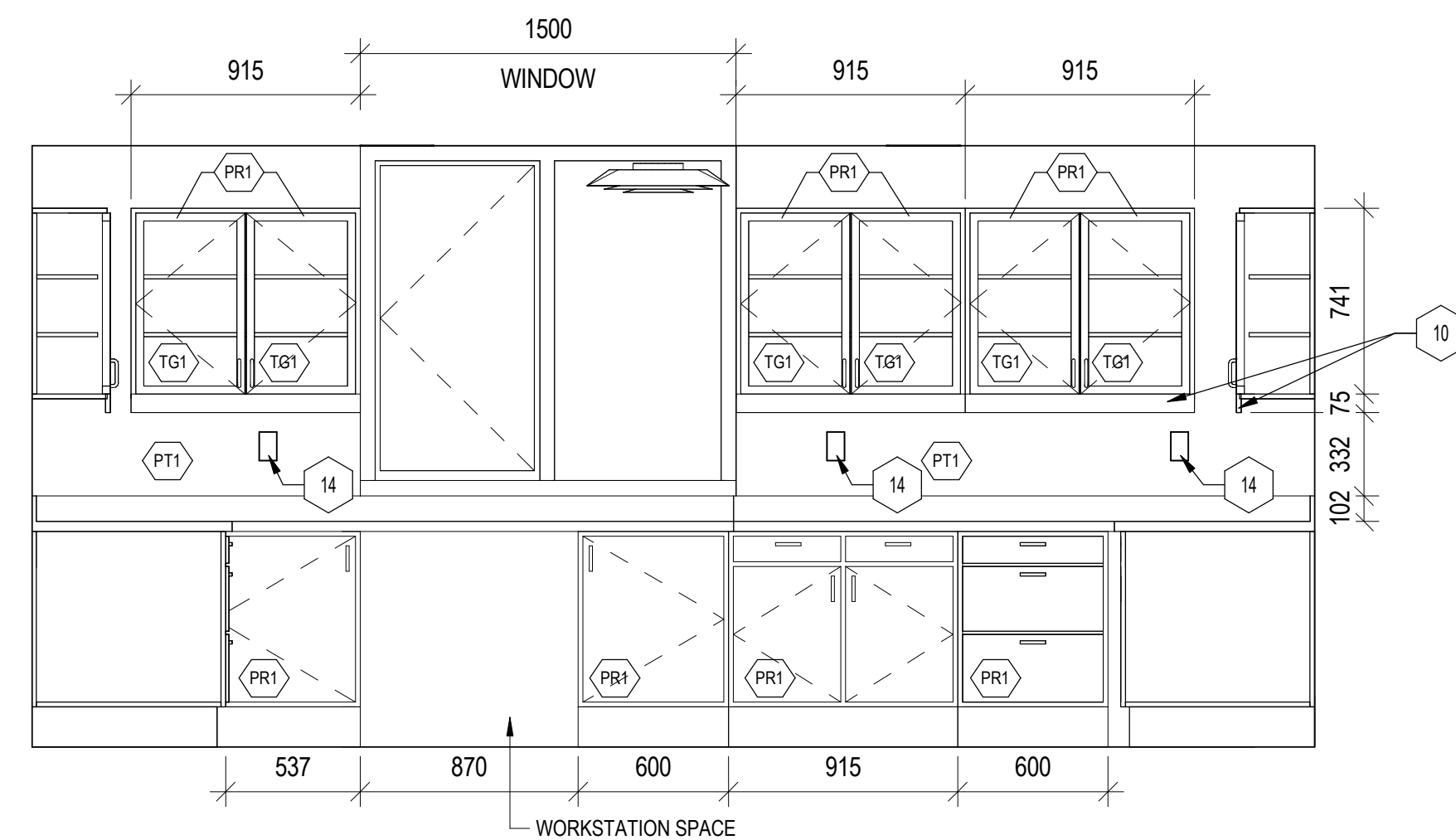
SCALE: 1:25	JOB NO: 22001
DESIGNED BY: LC	DATE: 2025/01/23
DRAWN BY: BB/CH	DRAWING NO.:
CHECKED BY: JS	A1302

2025-01-22 1:45:54 PM Autodesk Docs://22001 - Napanee New WPCP/A24 - Napanee WPCP Upgrades.rvt

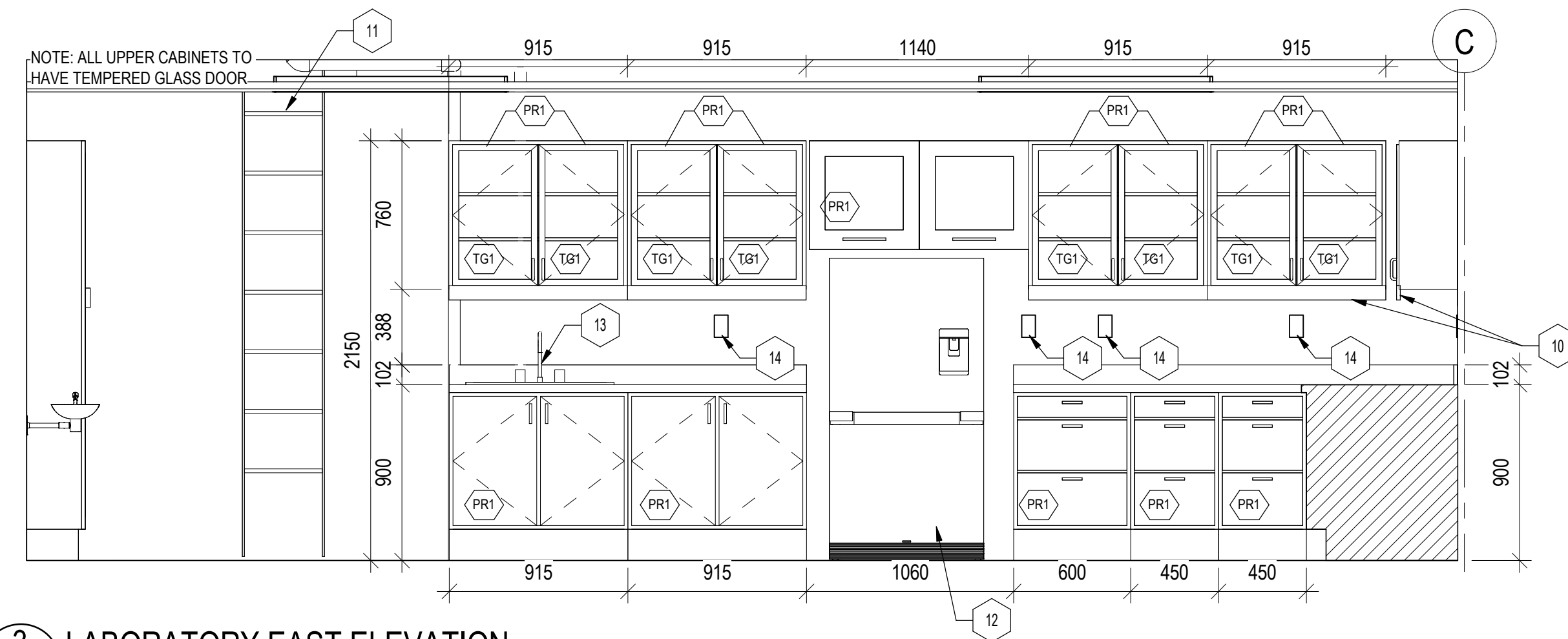
4 LABORATORY NORTH ELEVATION
A1401 SCALE: 1:25



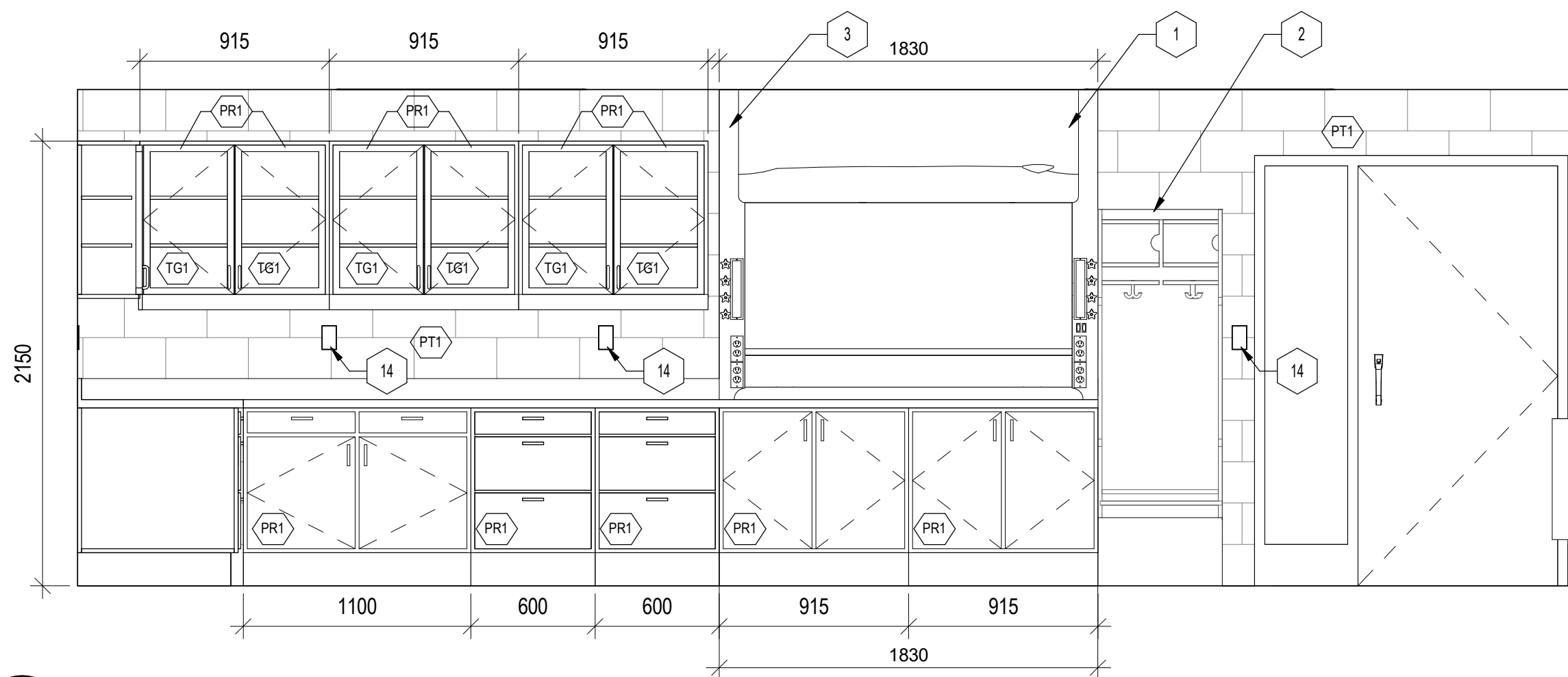
2 LABORATORY SOUTH ELEVATION
A1401 SCALE: 1:25



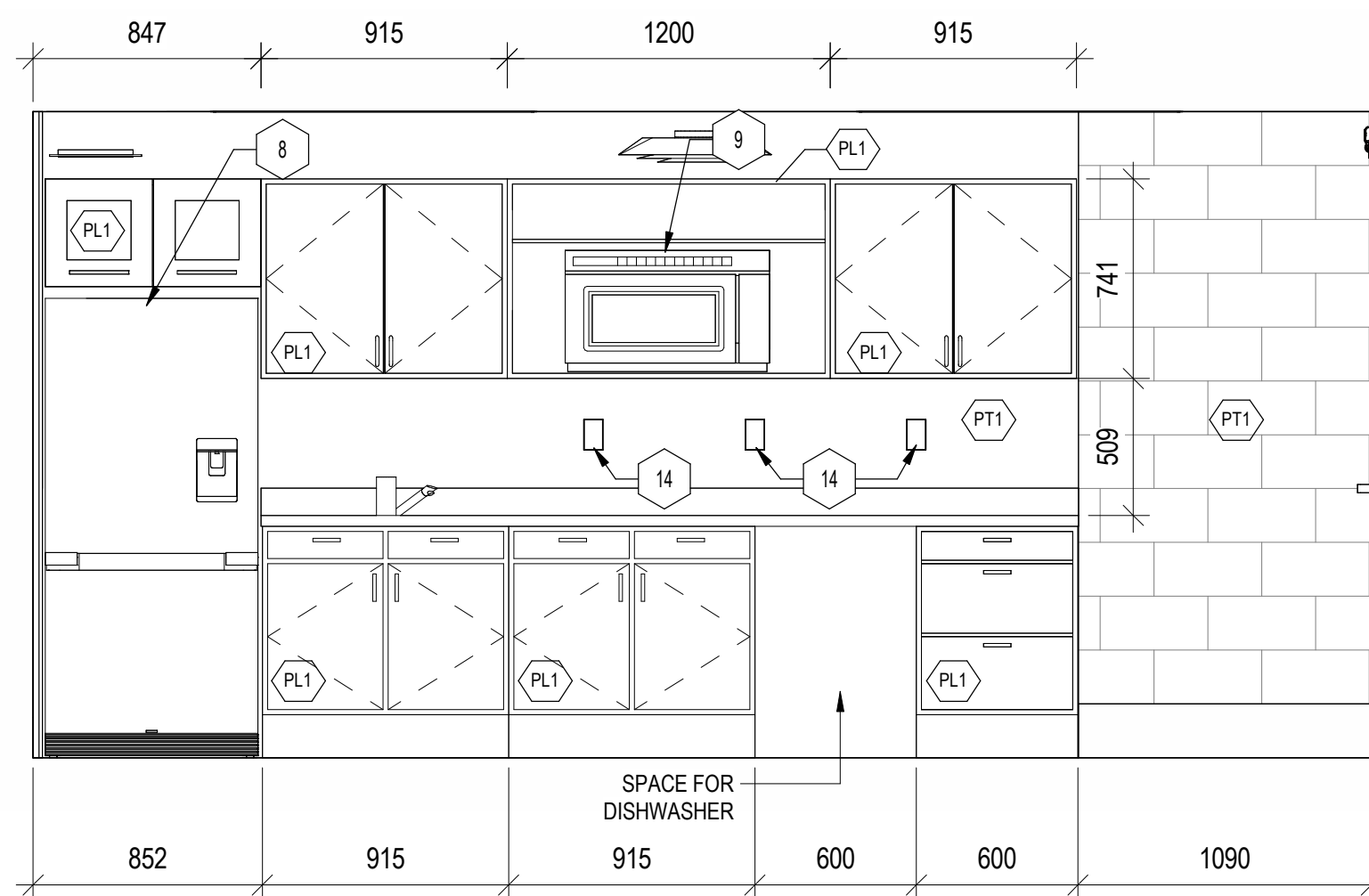
3 LABORATORY EAST ELEVATION
A1401 SCALE: 1:25



1 LABORATORY WEST ELEVATION
A1401 SCALE: 1:25



5 LUNCH ROOM - NORTH ELEVATION
A1401 SCALE: 1:25



GENERAL NOTES

1. REFER TO ELECTRICAL DRAWINGS / SPECIFICATIONS FOR ALL QUANTITIES / LOCATIONS OF ELECTRICAL RECEPTACLES.
2. REFER TO MECHANICAL DRAWINGS / SPECIFICATIONS FOR ALL QUANTITIES / LOCATIONS OF MECHANICAL RECEPTACLES.
3. REFER TO INTERIOR ELEVATION DRAWINGS FOR ALL MILLWORK SCOPE / DETAILS.
4. UNLESS OTHERWISE INDICATED, LIGHTING TO BE CENTERED BETWEEN INTERIOR PARTITIONS OF BOUNDING ROOM.
5. REFER TO A0004 & A0005 FOR ALL STANDARD DETAILS ASSOCIATED WITH WASHROOMS, INCLUDING BT NOT LIMITED TO: UNIVERSAL WASHROOM REQUIREMENTS, BARRIER FREE CLEARANCE REQUIREMENTS, TYPICAL MOUNTING HEIGHTS, ETC.
6. WHERE NO WALL FINISH HAS BEEN NOTED ON THE ELEVATIONS, THE WALL FINISH SHALL BE PAINT.

INTERIOR ELEVATION KEYNOTES

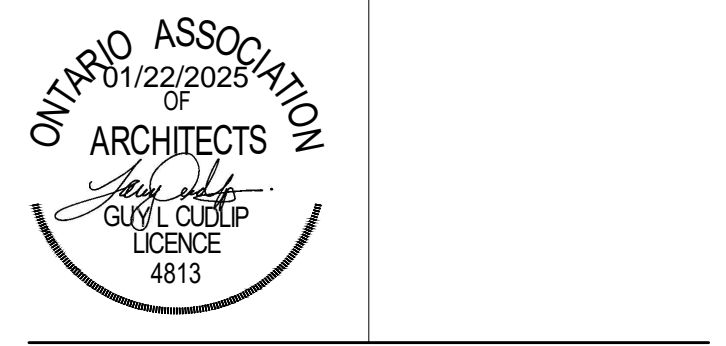
- 1 FUMEHOOD BY LAB SUPPLIER
- 2 COAT RACK
- 3 PREFINISHED ENCLOSURE (TO MATCH CABINETRY THREE SIDES) FROM TOP OF FUME HOOD TO UNDERSIDE OF CEILING. SUPPLIED AND INSTALLED BY LAB SUPPLIER
- 4 PAPER TOWEL DISPENSOR + WASTE RECEPTACLE
- 5 MIRROR
- 6 EYE WASH STATION (REFER TO MECHANICAL)
- 7 FULL HEIGHT CABINET 356MM DEEP COMPLETE WITH TYP. TOEKICK OF 102MM HIGH X 76 MM DEEP WITH ALL GLASS TEMPERED DOORS AND SHELVES AND DOORS AS SHOWN
- 8 FRIDGE
- 9 MICROWAVE
- 10 VALENCE
- 11 ROOF ACCESS HATCH
- 12 FREEZE N.I.C.
- 13 SINK (REFER TO MECHANICAL)
- 14 OUTLET / SWITCH (REFER TO ELECTRICAL)

INTERIOR FINISH LEGEND

- F1 SEALED CONCRETE
- PT1 PAINT (REFER TO SPECIFICATIONS FOR TYPE / COLOUR ETC.)
- TG1 TEMPERED GLASS
- PL1 PLASTIC LAMINATE
- PR1 PHENOIC RESIN

DATE	NO.	REVISION
2025/01/23	2	ISSUED FOR TENDER
2024/06/23	1	ISSUED FOR ECA APPROVAL

THE DRAWINGS, ARRANGEMENTS, ANNOTATIONS AND GRAPHICAL PRESENTATIONS ON THIS DOCUMENT ARE THE PROPERTY OF EVB ENGINEERING WHO RETAINS OWNERSHIP AND AUTHORITY OF THIS DOCUMENT IN ITS ENTIRETY. THIS DOCUMENT IS AN INSTRUMENT OF SERVICE AND IS THE INTELLECTUAL AND PHYSICAL PROPERTY OF EVB ENGINEERING. AUTHORIZED USE OF THIS DRAWING IS GRANTED SOLELY FOR THE PURPOSE OF THIS SPECIFIC PROJECT AND LOCATION, AND NOT FOR CONSTRUCTION OR USE FOR ANY OTHER PROJECT. COPYRIGHT © 2024 EVB ENGINEERING.



CONSULTANT:

800 SECOND STREET WEST
CORNWALL, ONTARIO CANADA, K6J 1H6
TEL: 613-935-3775 | FAX: 613-935-6450
WEBSITE: EVBengineering.com

SUB-CONSULTANT:

C2 Architecture Inc.
415 Baseline Road West
Bowmanville, ON L1C 5M2
905.697.4464

CLIENT:

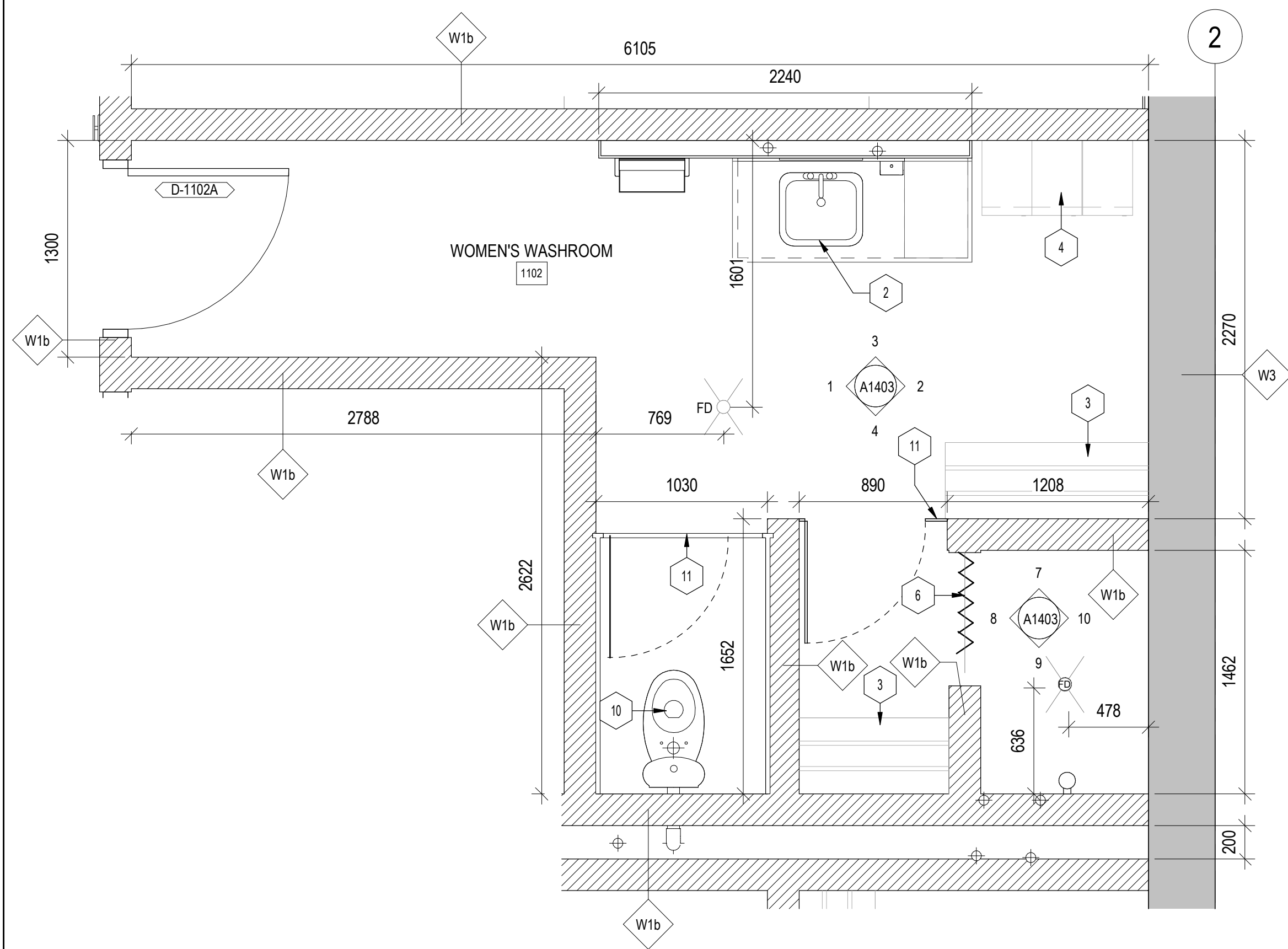
Greater Napanee
GREATNESS FOR MANY REASONS

PROJECT:
NEW NAPANEE WPCP

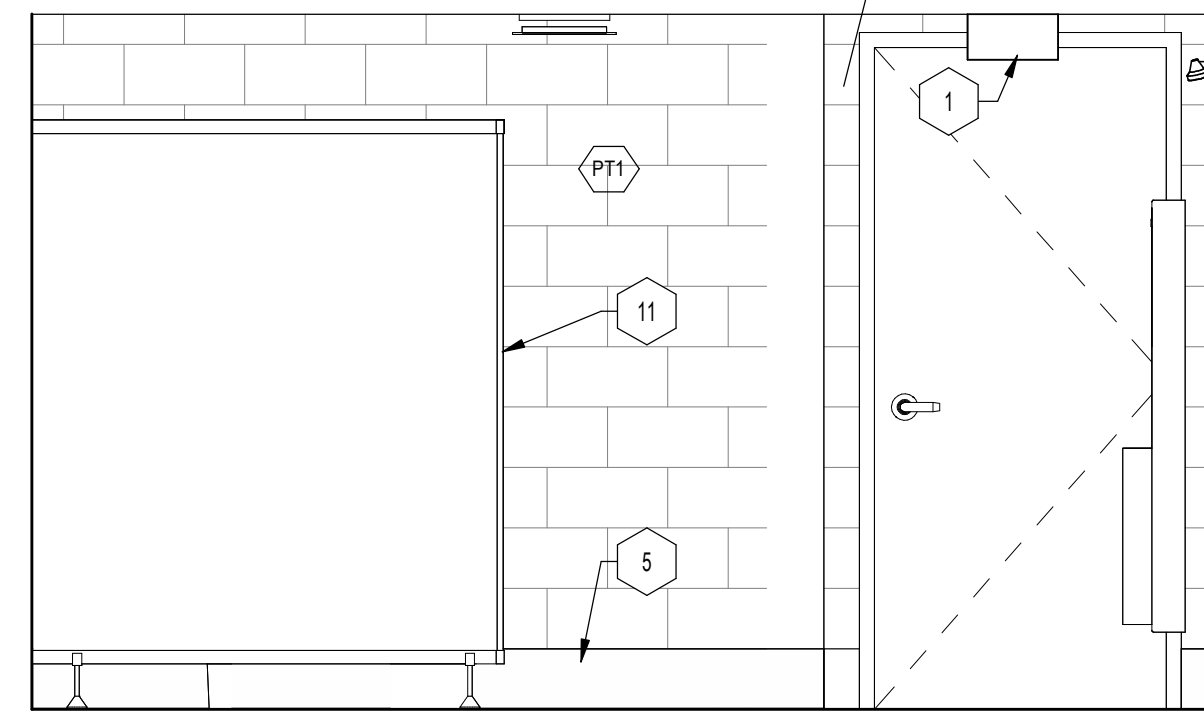
TITLE:
LABORATORY & LUNCH ROOM INTERIOR ELEVATIONS

SCALE: 1:25	JOB NO: 22001
DESIGNED BY: LC	DATE: 2025/01/23
DRAWN BY: BB/CH	DRAWING NO.:
CHECKED BY: JS	A1401

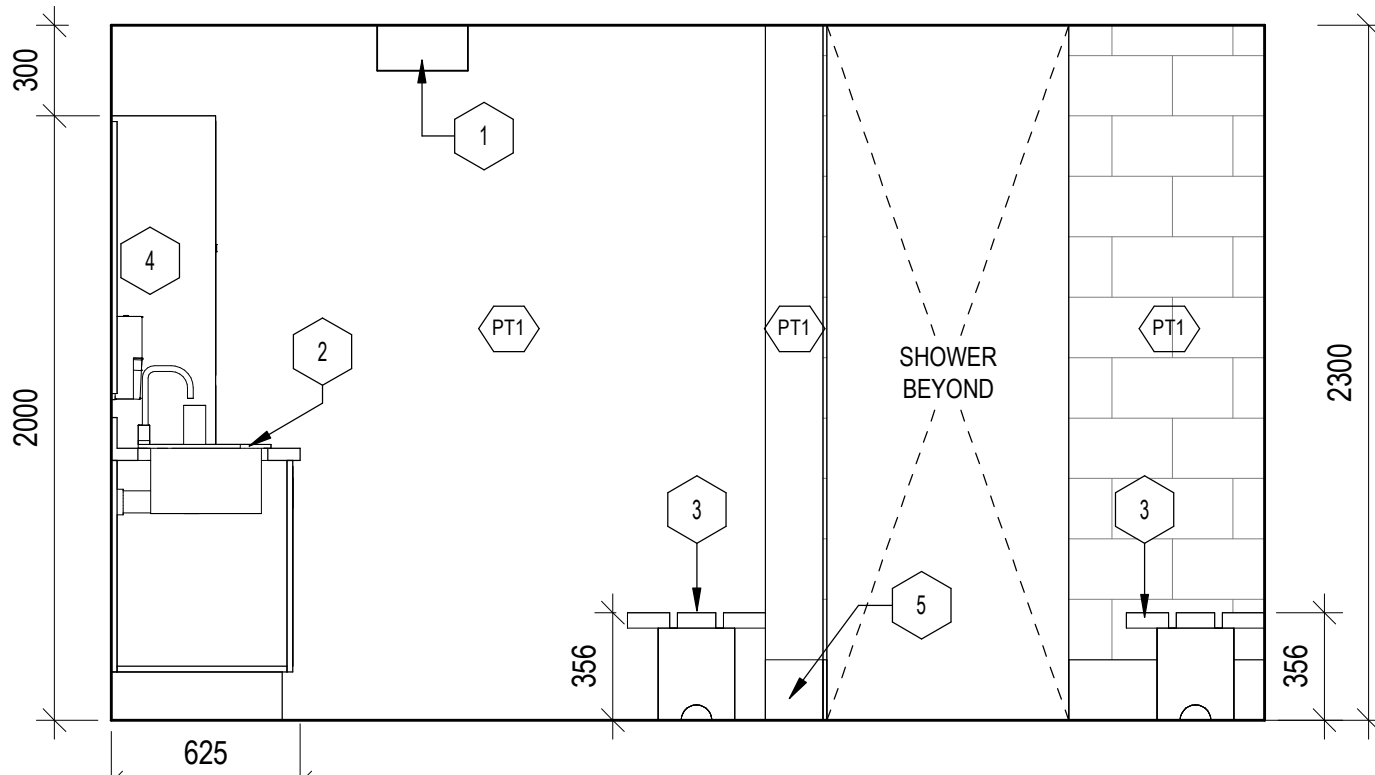
2025-01-22 1:45:59 PM Autodesk Docs://22001 - Napanee New WPCP/A24 - Napanee WPCP Upgrades.rvt



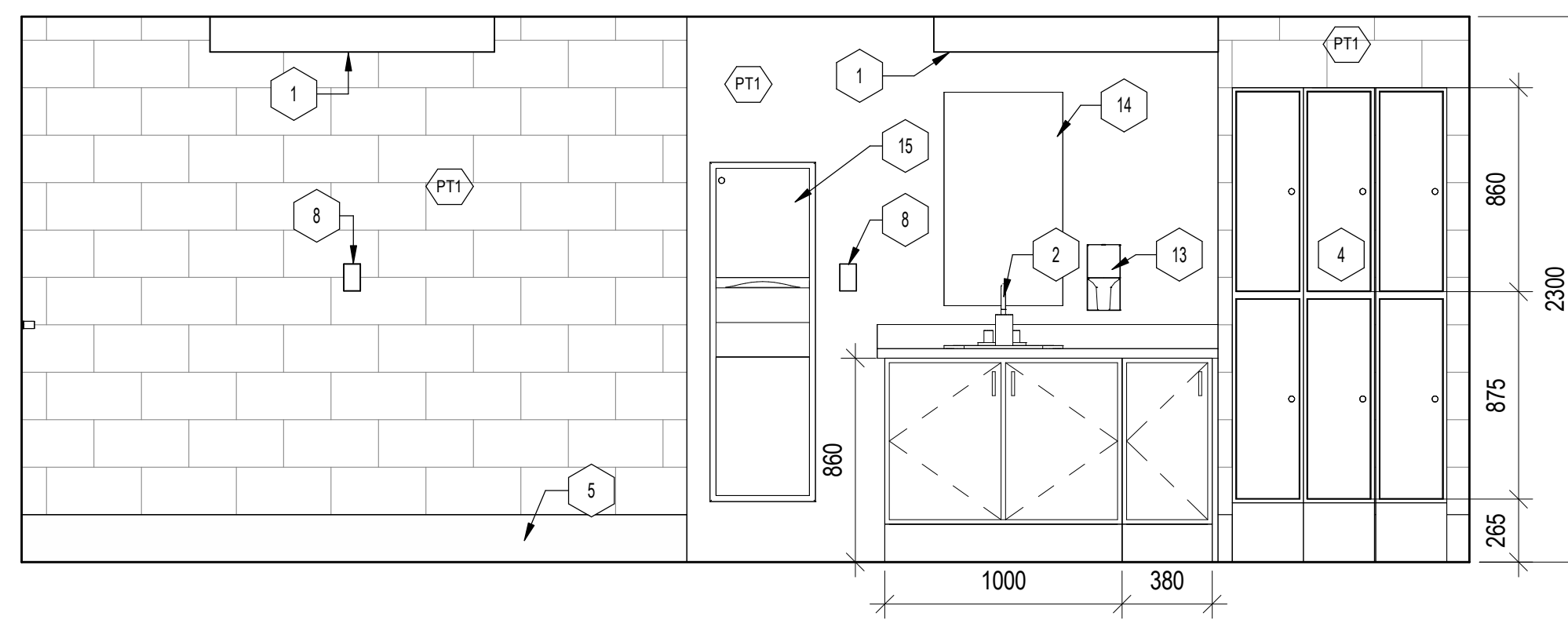
5 WOMEN'S WASHROOM ENLARGED FLOOR PLAN
A1403 SCALE: 1:25



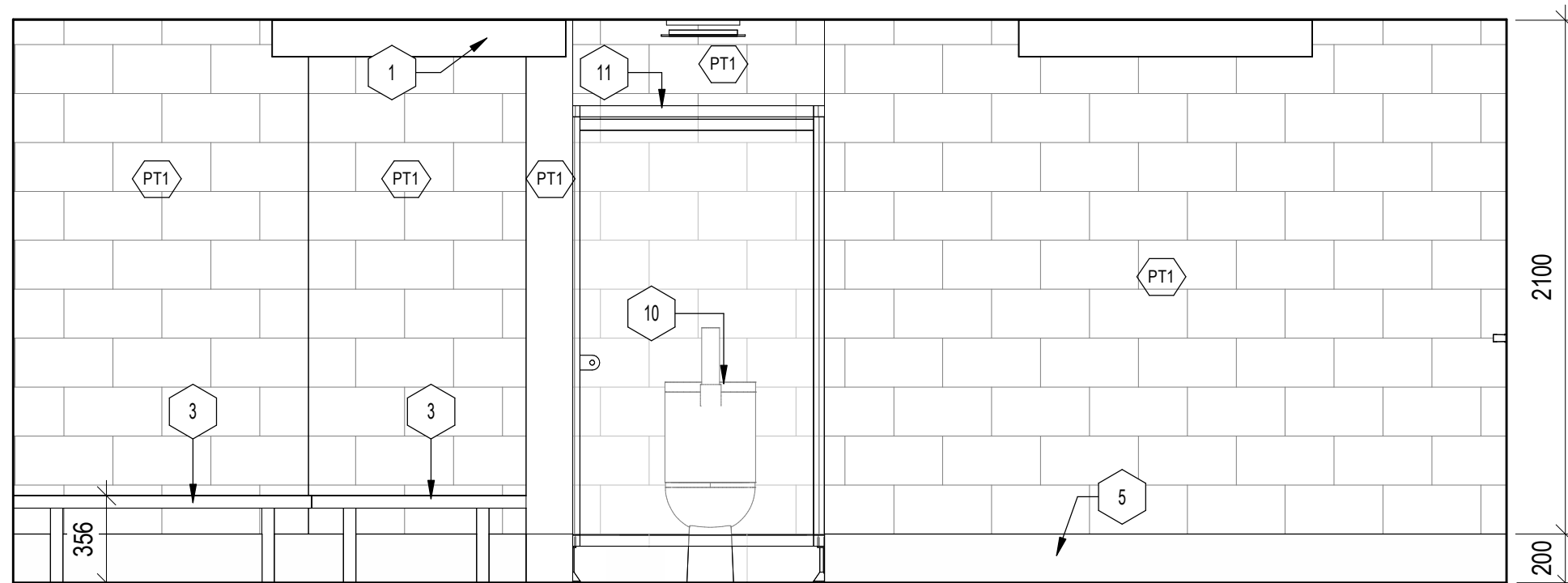
1 WOMEN'S WASHROOM WEST ELEVATION
A1403 SCALE: 1:25



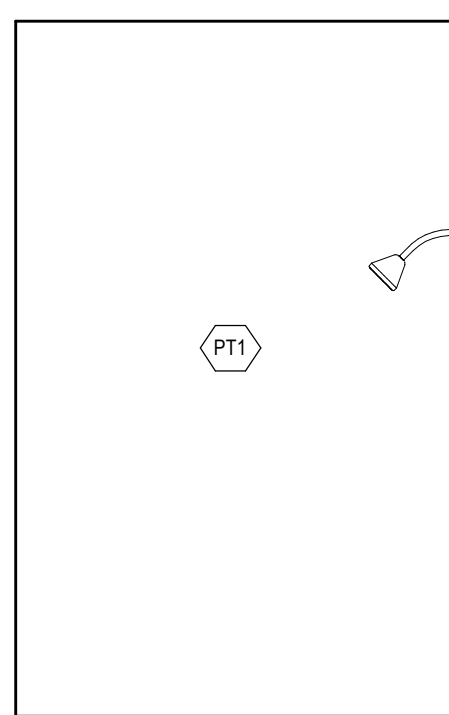
2 WOMEN'S WASHROOM EAST ELEVATION
A1403 SCALE: 1:25



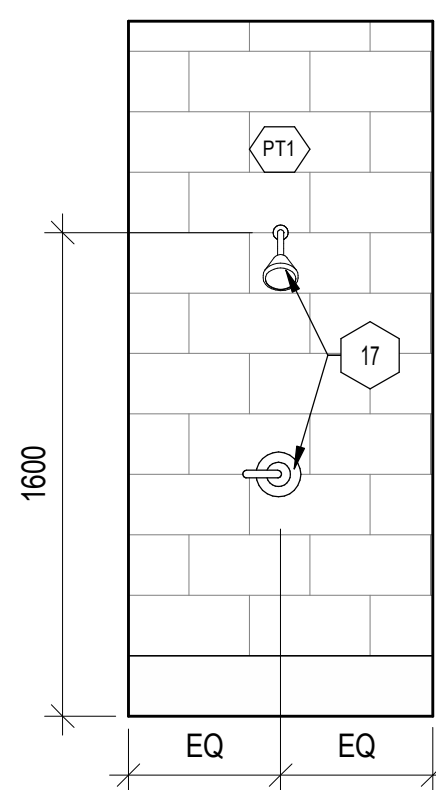
3 WOMEN'S WASHROOM NORTH ELEVATION
A1403 SCALE: 1:25



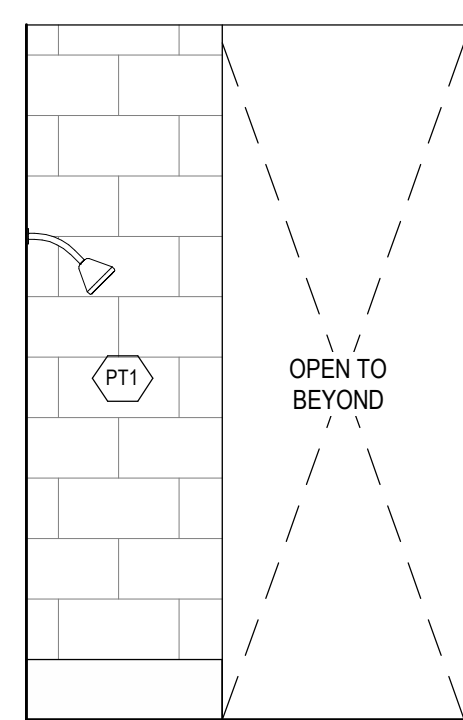
4 WOMEN'S WASHROOM SOUTH ELEVATION
A1403 SCALE: 1:25



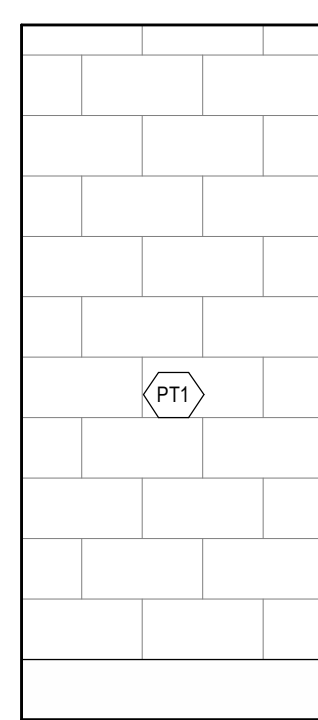
10 SHWR EAST ELEVATION
A1403 SCALE: 1:25



9 SHWR SOUTH ELEVATION
A1403 SCALE: 1:25



8 SHWR WEST ELEVATION
A1403 SCALE: 1:25



7 SHWR NORTH ELEVATION
A1403 SCALE: 1:25

GENERAL NOTES

1. REFER TO ELECTRICAL DRAWINGS / SPECIFICATIONS FOR ALL QUANTITIES / LOCATIONS OF ELECTRICAL RECEPTACLES.
2. REFER TO MECHANICAL DRAWINGS / SPECIFICATIONS FOR ALL QUANTITIES / LOCATIONS OF MECHANICAL RECEPTACLES.
3. REFER TO INTERIOR ELEVATION DRAWINGS FOR ALL MILLWORK SCOPE / DETAILS.
4. UNLESS OTHERWISE INDICATED, LIGHTING TO BE CENTERED BETWEEN INTERIOR PARTITIONS OF BOUNDING ROOM.
5. REFER TO A0004 & A0005 FOR ALL STANDARD DETAILS ASSOCIATED WITH WASHROOMS, INCLUDING BT NOT LIMITED TO: UNIVERSAL WASHROOM REQUIREMENTS, BARRIER FREE CLEARANCE REQUIREMENTS, TYPICAL MOUNTING HEIGHTS, ETC.
6. WHERE NO WALL FINISH HAS BEEN NOTED ON THE ELEVATIONS, THE WALL FINISH SHALL BE PAINT.

WASHROOM KEYNOTES

- 1 LIGHTING (REFER TO ELECTRICAL)
- 2 SINK (REFER TO MECHANICAL)
- 3 WOOD BENCH
- 4 LOCKERS
- 5 MASONRY WALL RESTS ON CONCRETE CURB (REFER TO STRUCTURAL)
- 6 SHOWER CURTAINS & RODS
- 7 FLOOR DRAIN (REFER TO MECHANICAL)
- 8 OUTLET / SWITCH (REFER TO ELECTRICAL)
- 9 URINAL TOILET (REFER TO MECHANICAL)
- 10 TOILET (REFER TO MECHANICAL)
- 11 TOILET / SHOWER PARTITION SCREEN
- 12 GRAB BAR (REFER TO DETAILS ON A0004 & A0005)
- 13 SOAP DISPENSER
- 14 MIRROR
- 15 HAND TOWEL DISPENSER
- 16 COAT HOOK
- 17 SHOWER ACCESSORIES (REFER TO MECHANICAL)

INTERIOR FINISH LEGEND

- F1 SEALED CONCRETE
- PT1 PAINT (REFER TO SPECIFICATIONS FOR TYPE / COLOUR ETC.)
- TG1 TEMPERED GLASS
- PL1 PLASTIC LAMINATE
- PR1 PHENOLIC RESIN

PLAN SYMBOLS LEGEND

- FD FLOOR DRAIN (REFER TO MECHANICAL)

DATE	NO.	REVISION
2025/01/23	2	ISSUED FOR TENDER
2024/06/23	1	ISSUED FOR ECA APPROVAL

THE DRAWINGS, ARRANGEMENTS, ANNOTATIONS AND GRAPHICAL PRESENTATIONS ON THIS DOCUMENT ARE THE PROPERTY OF EVB ENGINEERING WHO RETAINS OWNERSHIP AND AUTHORITY OF THIS DOCUMENT. IN ITS ENTIRETY THIS DOCUMENT IS AN INSTRUMENT OF SERVICE AND IS THE INTELLECTUAL AND PHYSICAL PROPERTY OF EVB ENGINEERING. AUTHORIZED USE OF THIS DRAWING IS GRANTED SOLELY FOR THE PURPOSE OF THIS SPECIFIC PROJECT AND LOCATION, AND NOT FOR CONSTRUCTION OR USE FOR ANY OTHER PROJECT. COPYRIGHT © 2024 EVB ENGINEERING.

ONTARIO ASSOCIATION OF ARCHITECTS
1/12/2025
GUYL CULIP
LICENCE 4813

PROJECT NORTH
T.N. = TRUE NORTH

CONSULTANT:
EVB ENGINEERING
800 SECOND STREET WEST
CORNWALL, ONTARIO CANADA, K6J 1H6
TEL: 613-935-3775 | FAX: 613-935-6450
WEBSITE: EVBengineering.com

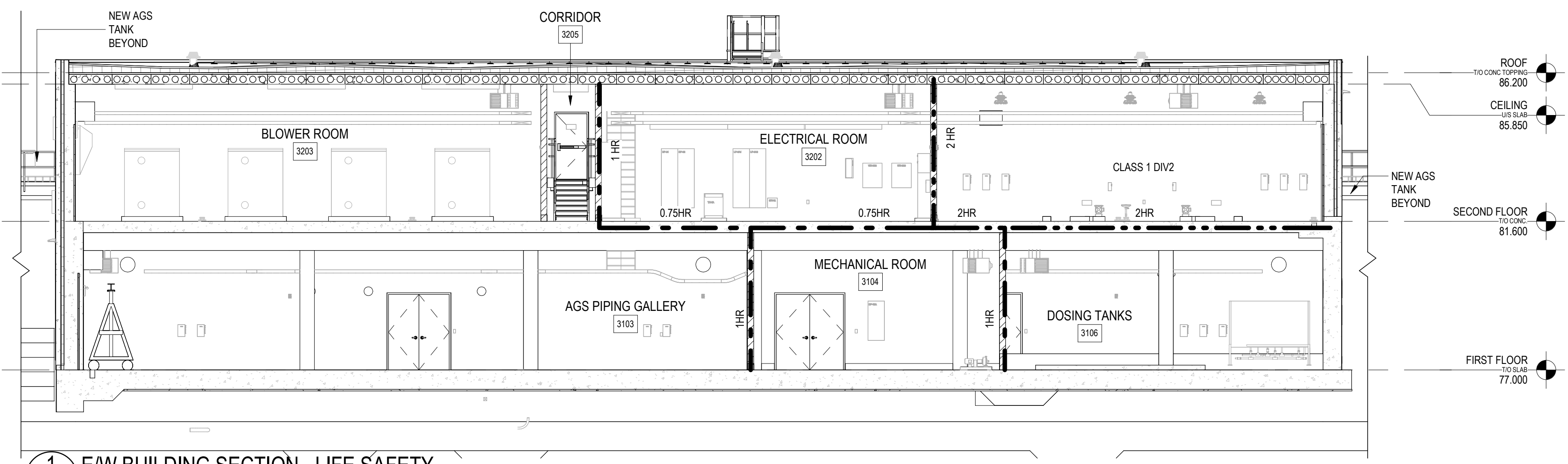
SUB-CONSULTANT:
C2 Architecture
C2 Architecture Inc.
415 Baseline Road West
Bowmanville, ON L1C 5M2
905.697.4464

CLIENT:
Greater Napanee
GRANDS FOR BAY BOUNDARY

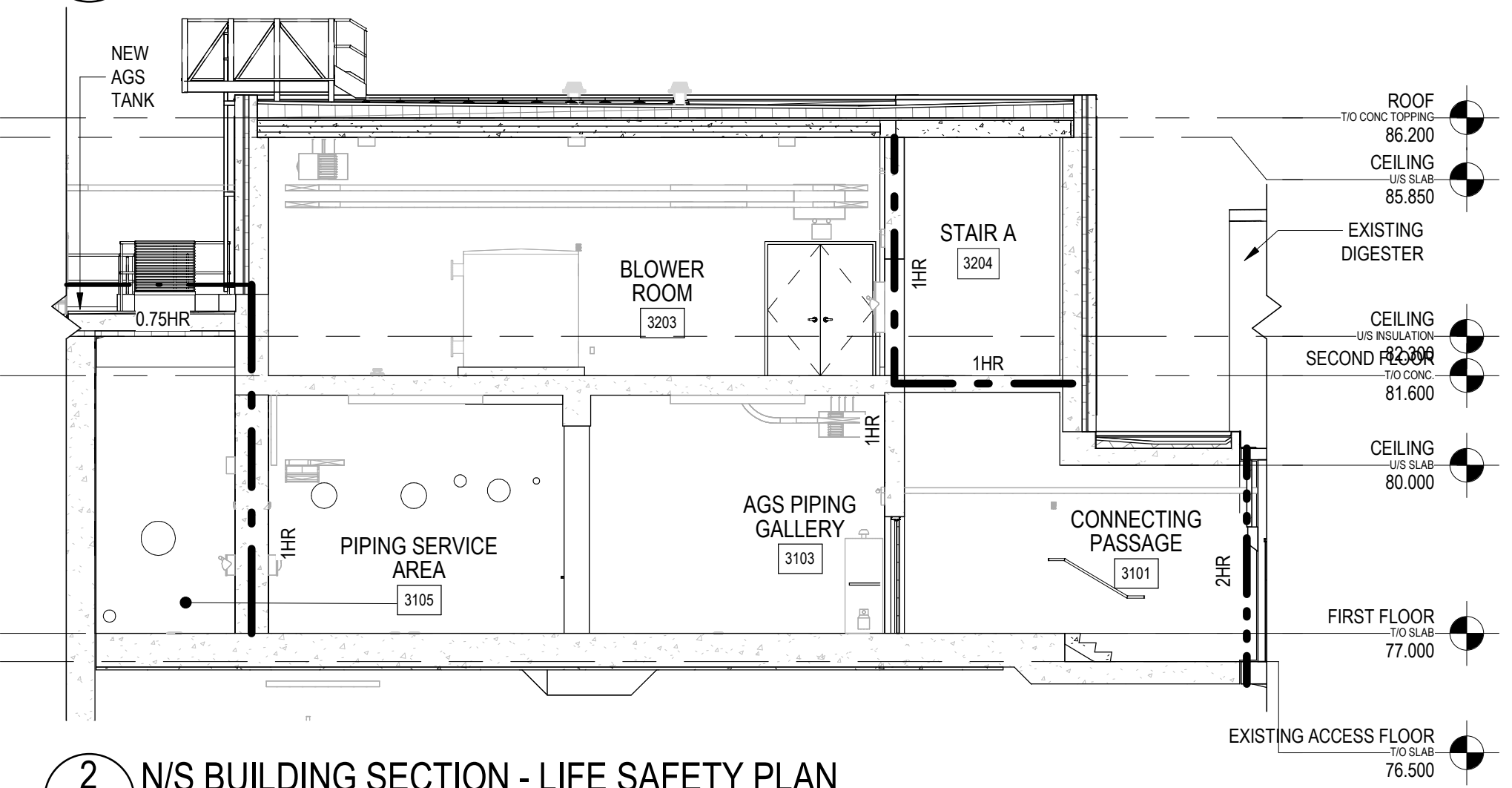
PROJECT:
NEW NAPANEE WPCP

TITLE:
WOMEN'S WASHROOM & TYP. SHOWER ELEVATIONS

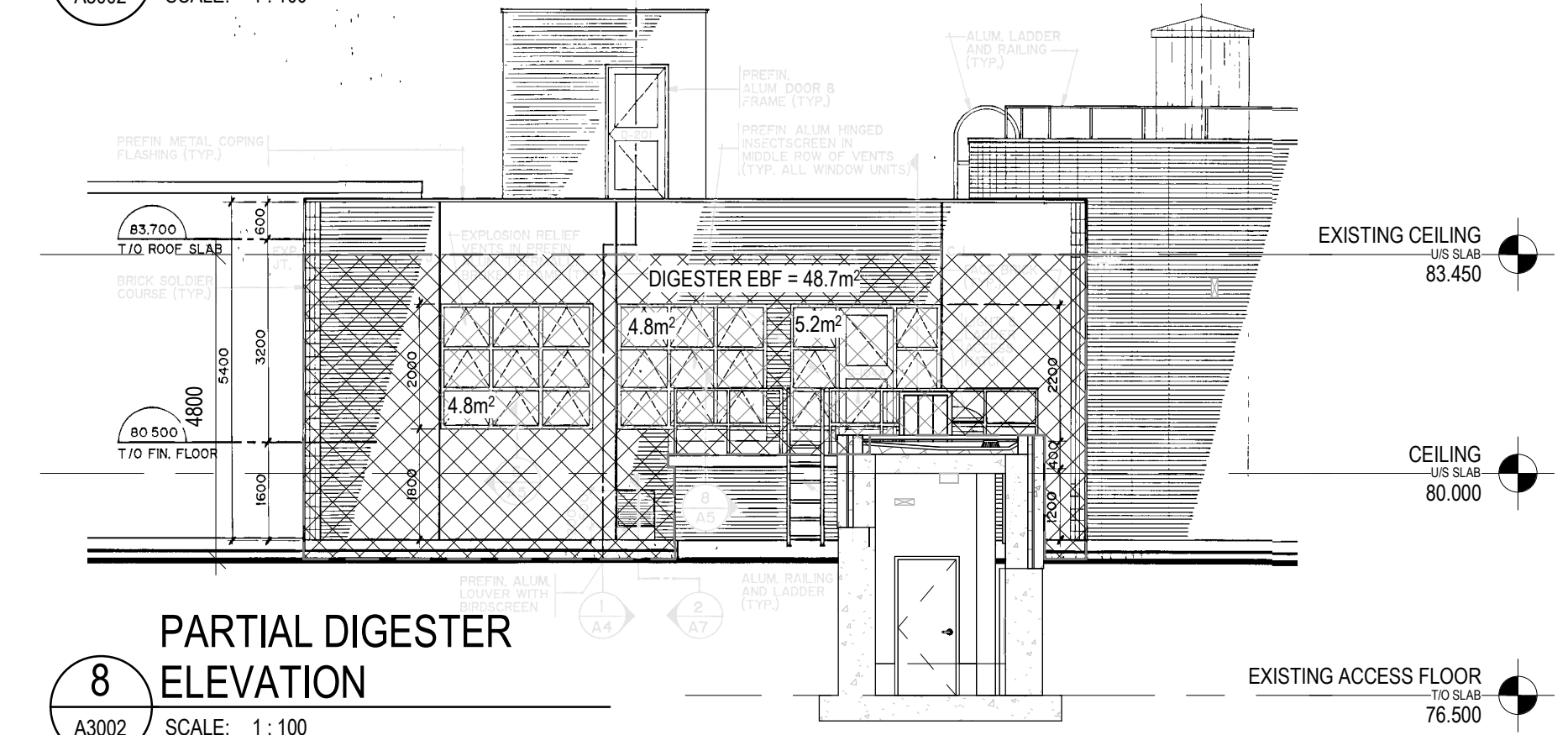
SCALE: As indicated	JOB NO: 22001
DESIGNED BY: LC	DATE: 2025/01/23
DRAWN BY: BB/CH	DRAWING NO.:
CHECKED BY: JS	A1403



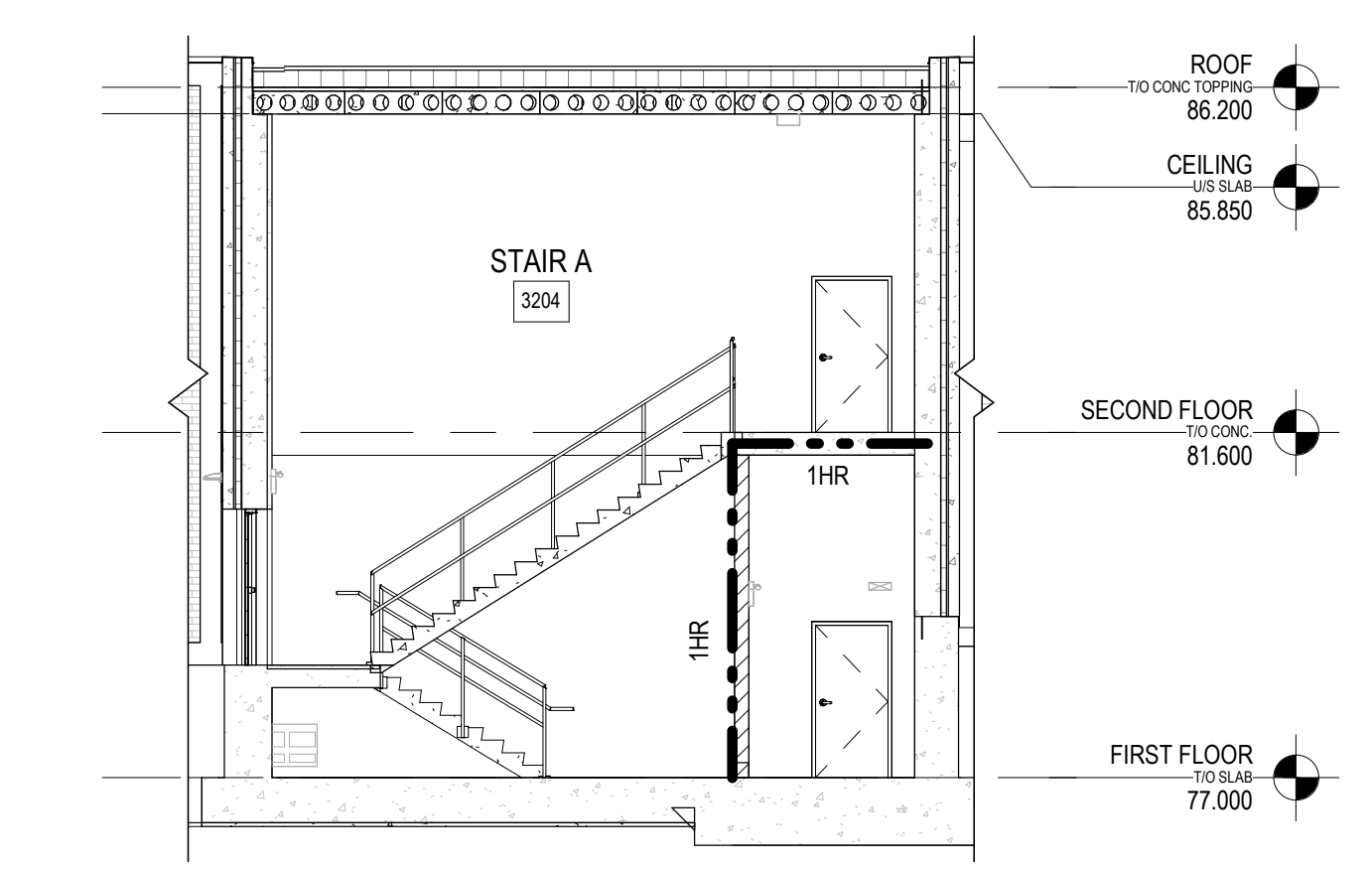
1 E/W BUILDING SECTION - LIFE SAFETY
A3002 SCALE: 1:100



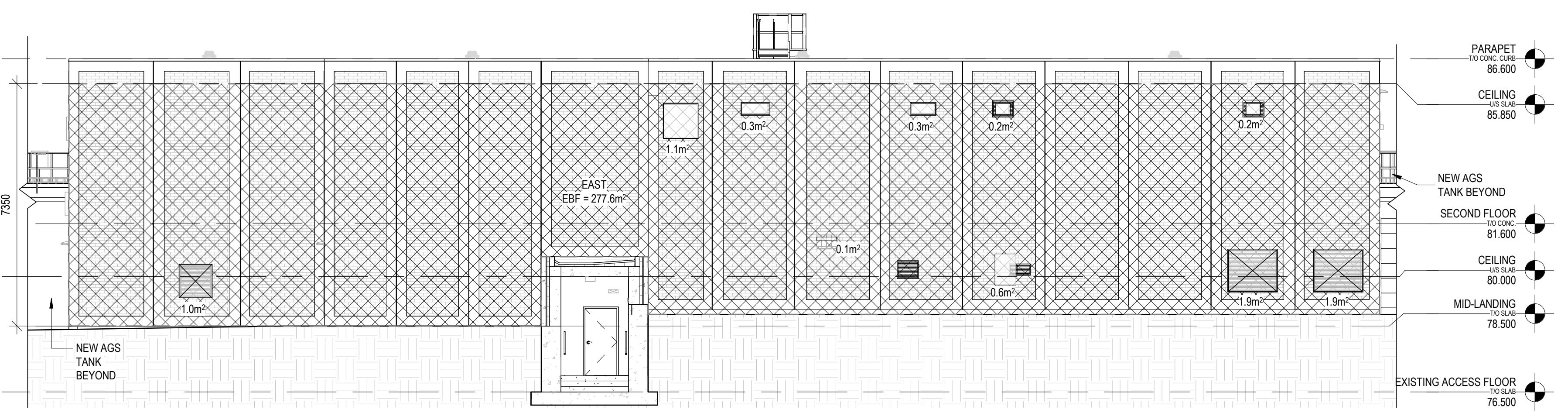
2 N/S BUILDING SECTION - LIFE SAFETY PLAN
A3002 SCALE: 1:100



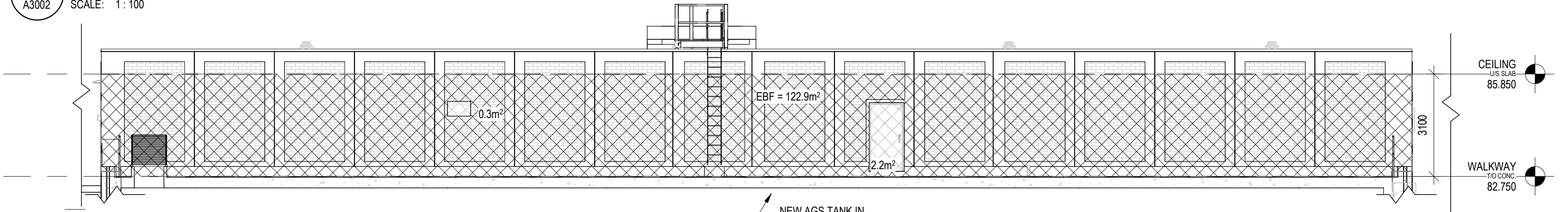
8 PARTIAL DIGESTER ELEVATION
A3002 SCALE: 1:100



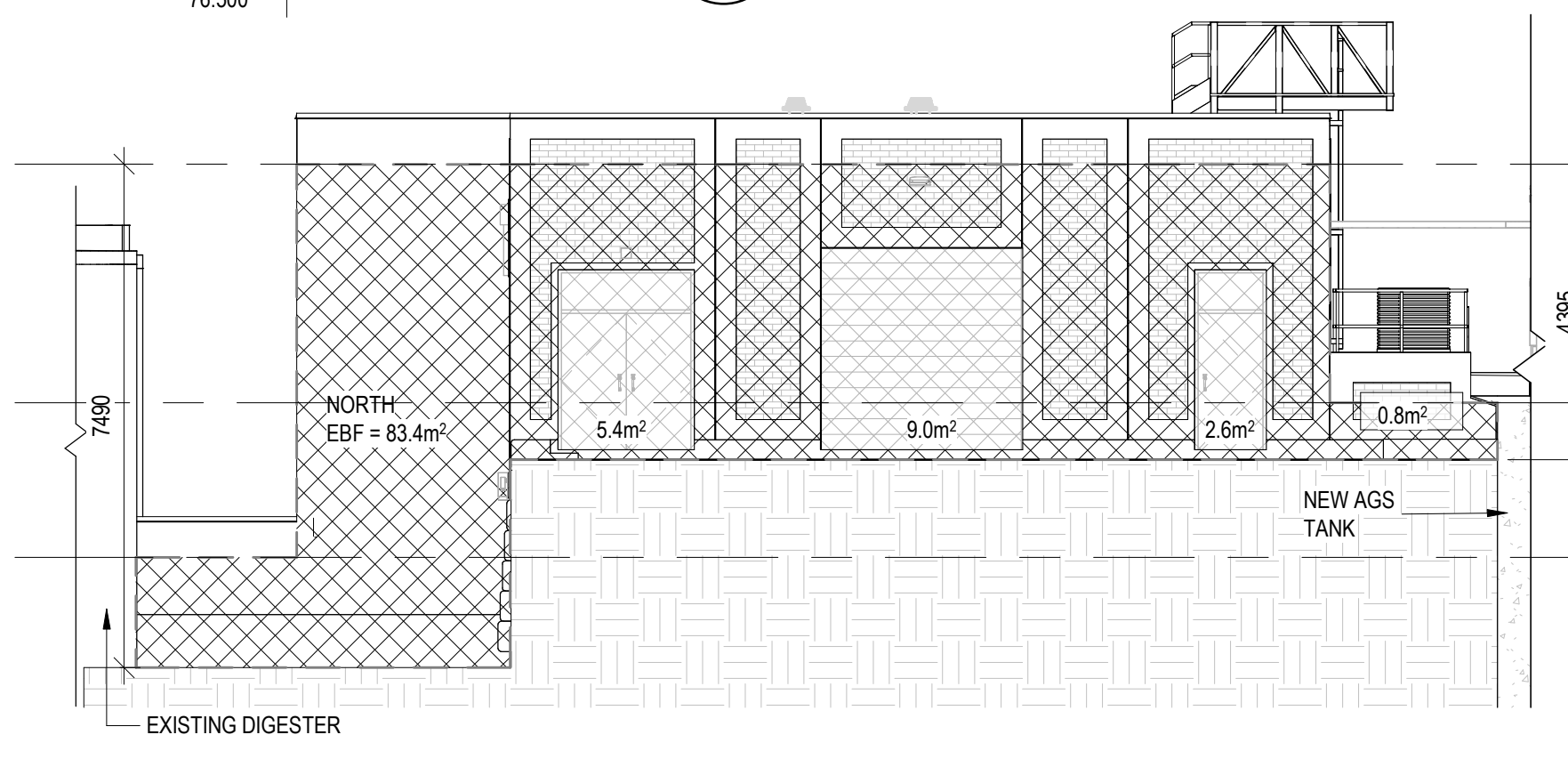
3 EXIT STAIRS SECTION - LIFE SAFETY PLAN
A3002 SCALE: 1:100



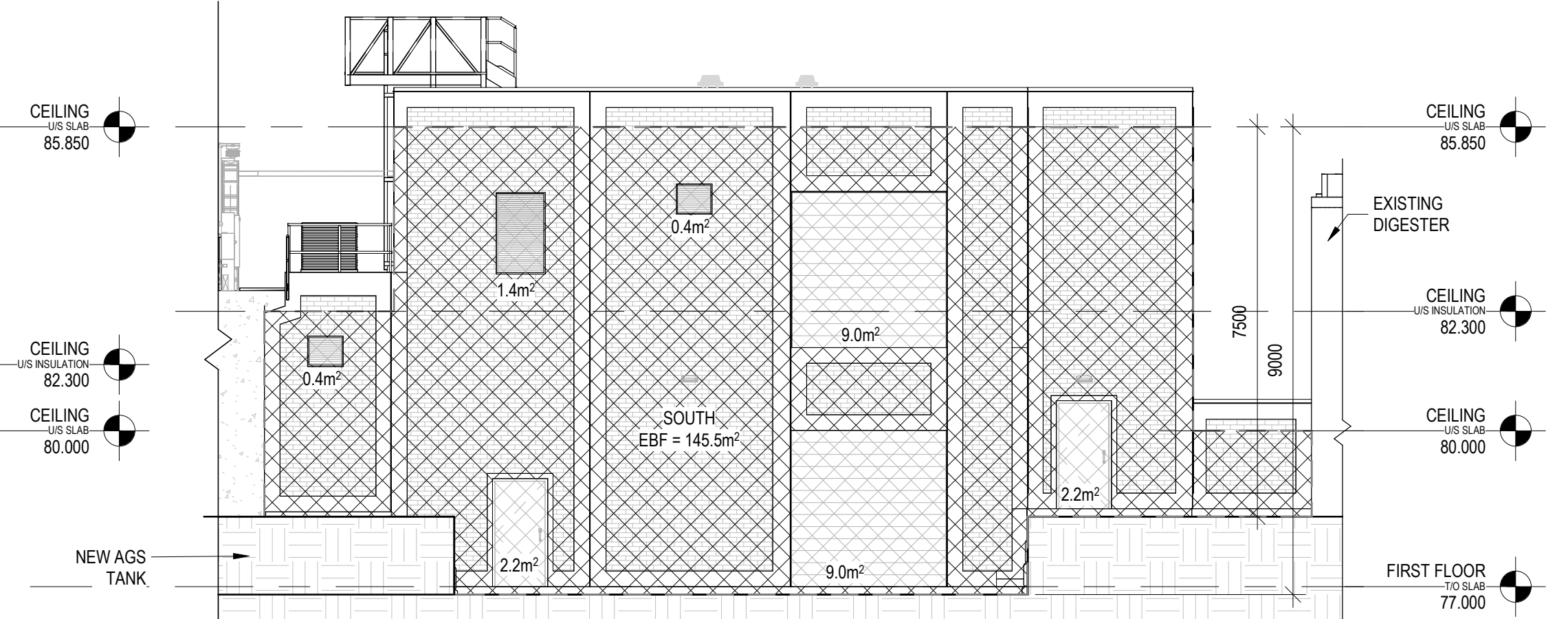
4 EXPOSED BUILDING FACE - EAST
A3002 SCALE: 1:100



5 EXPOSED BUILDING FACE - WEST
A3002 SCALE: 1:100



6 EXPOSED BUILDING FACE - NORTH
A3002 SCALE: 1:100



7 EXPOSED BUILDING FACE - SOUTH
A3002 SCALE: 1:100

LIFE SAFETY & FIRE LEGEND	
	45 MINUTE FIRE RESISTANCE RATING
	1 HOUR FIRE RESISTANCE RATING
	2 HOUR FIRE RESISTANCE RATING
	TRAVEL DISTANCE
	EXIT AT GRADE
	SMOKE DETECTOR
	AREA OF EXPOSED BUILDING FACE
	UNPROTECTED OPENING
	2 HR RATED PROTECTED OPENING
	CIP WALLS
	CMU WALLS
	EXISTING WALLS
	EARTH

- LIFE SAFETY PLAN GENERAL NOTES**
- PROVIDE 2 HOUR FIRE SEPARATIONS FOR ROOMS CONTAINING STORAGE OF MATERIAL GOODS, INCLUDING BUT NOT LIMITED TO AGS PIPING GALLERY, AND WAS THICKNER ROOM.
 - REFER TO MECHANICAL/ELECTRICAL DRAWINGS FOR PROVISIONS REGARDING CLASS 1, DIVISION 2 SPACES.
 - REFER TO MECHANICAL DRAWINGS FOR FIRE EXTINGUISHER LOCATIONS.
 - SMOKE / HEAT DETECTORS SHOWN FOR REFERENCE ONLY. REFER TO ELECTRICAL DRAWINGS FOR ALL ELECTRICAL FIRE SAFETY EQUIPMENT (INCLUDING BUT NOT LIMITED TO DETECTORS, EMERGENCY LIGHTING, AND EXIT SIGNS).
 - EXISTING CONDITIONS OF THE DIGESTER BUILDING SHOWN IN THESE CONTRACT DOCUMENTS ARE BASED ON RECORD DRAWINGS PROVIDED BY THE TOWN OF GREATER NAPANEE PREPARED BY GORE & STORRIE LIMITED CONSULTING ENGINEERS & ARCHITECTS, FILE NO. 648 07-A1-05932, DATED DECEMBER 1990.
 - CONTRACTOR TO REPORT TO CONSULTANTS IMMEDIATELY UPON UNCOVERING ANY UNKNOWN SERVICES AND / OR ANY DISCREPANCY BETWEEN THE SITE CONDITIONS AND DRAWINGS SHOWN WHICH MAY AFFECT SCOPE OF WORK.

DATE	NO.	REVISION
2025/01/23	2	ISSUED FOR TENDER
2024/06/23	1	ISSUED FOR ECA APPROVAL



CONSULTANT:

 800 SECOND STREET WEST
 CORNWALL, ONTARIO CANADA, K6J 1H6
 TEL: 613-935-3775 | FAX: 613-935-6450
 WEBSITE: EVBengineering.com

SUB-CONSULTANT:

 C2 Architecture Inc.
 415 Baseline Road West
 Bowmanville, ON L1C 5M2
 ☎ 905.697.4464

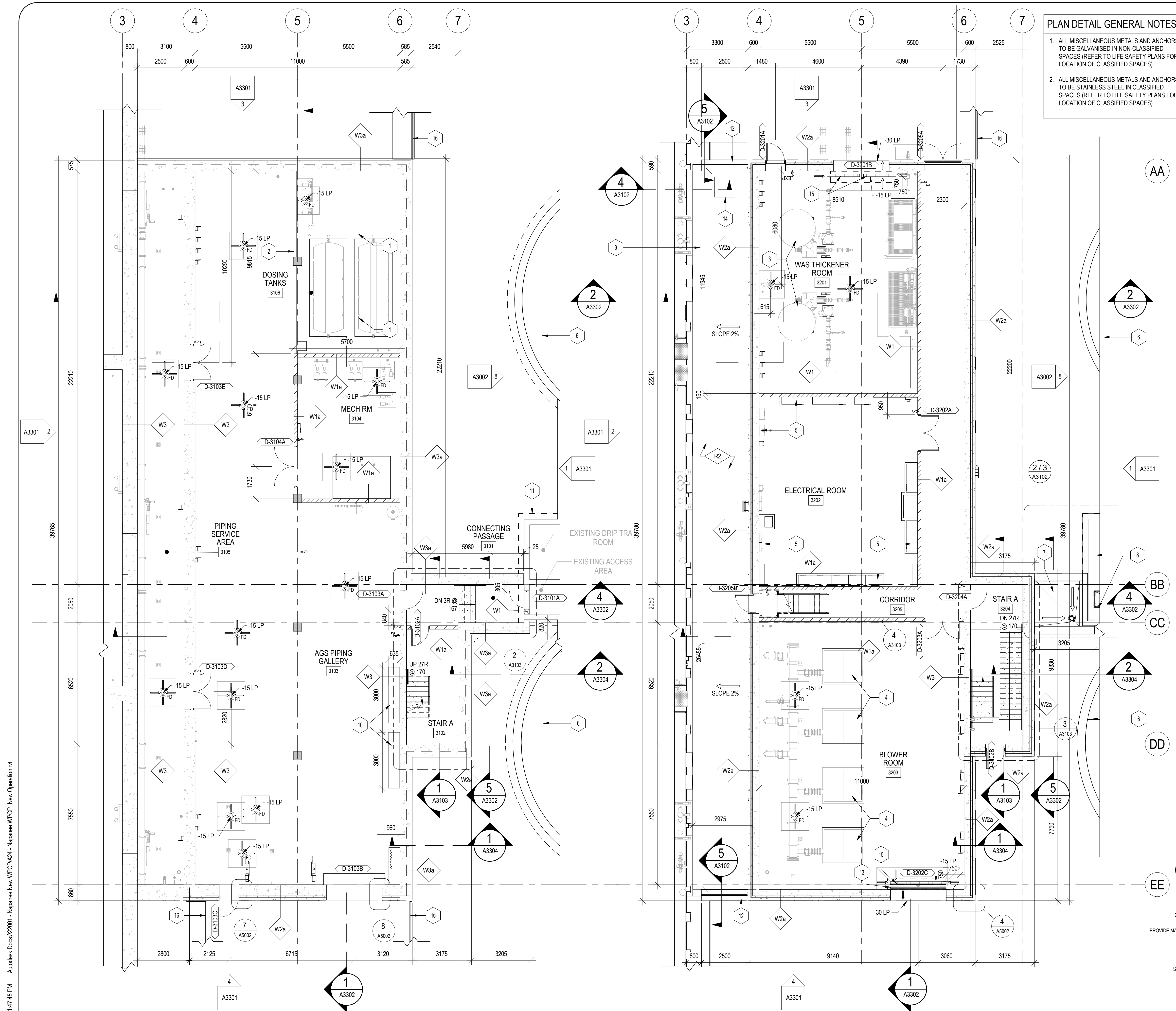
CLIENT:

 GREATER FOR WATER SOLUTIONS

PROJECT:
 NEW NAPANEE WPCP

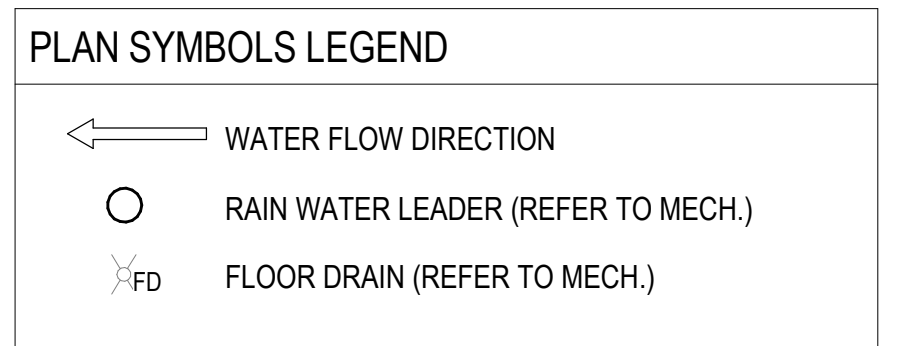
TITLE:
 OPERATIONS BUILDING
 LIFE SAFETY SECTIONS &
 EXPOSED BUILDING FACES

SCALE: As indicated	JOB NO: 22001
DESIGNED BY: LC	DATE: 2025/01/23
DRAWN BY: BB / CH	DRAWING NO.:
CHECKED BY: JB	A3002



- ### PLAN DETAIL GENERAL NOTES
1. ALL MISCELLANEOUS METALS AND ANCHORS TO BE GALVANISED IN NON-CCLASSIFIED SPACES (REFER TO LIFE SAFETY PLANS FOR LOCATION OF CLASSIFIED SPACES)
 2. ALL MISCELLANEOUS METALS AND ANCHORS TO BE STAINLESS STEEL IN CLASSIFIED SPACES (REFER TO LIFE SAFETY PLANS FOR LOCATION OF CLASSIFIED SPACES)

- ### PLAN GENERAL NOTES
1. REFER TO ELECTRICAL DRAWINGS/SPECIFICATIONS FOR ALL QUANTITIES/LOCATIONS OF ELECTRICAL RECEPTACLES.
 2. REFER TO MECHANICAL DRAWINGS/SPECIFICATIONS FOR ALL QUANTITIES/LOCATIONS OF MECHANICAL RECEPTACLES.
 3. REFER TO INTERIOR ELEVATIONS FOR ALL MILLWORK SCOPE/DETAILS.
 4. UNLESS OTHERWISE INDICATED, LIGHTING TO BE CENTERED BETWEEN INTERIOR PARTITIONS OF BOUNDING ROOM.
 5. ALL BULKHEAD WIDTHS SUBJECT TO SITE CONFIRMATION.
 6. WHERE NO WALL FINISH HAS BEEN NOTED ON THE ELEVATIONS, THE WALL FINISH SHALL BE PAINT.
 7. PLEASE NOTE, NOT ALL PLAN BASED EXTERIOR DETAILS ARE CALLED OUT IN THE PLANS. EXTERIOR DETAILS ARE LABELED TYP. WHERE THEY ARE TYPICAL, CONTRACTOR TO REVIEW ALL CONTRACT DOCUMENTS TO IDENTIFY QUANTITY AND LOCATION.
 8. COORDINATE WITH MECHANICAL CONTRACTOR FOR LOCATION AND QUANTITY OF PLUMBING VENTS. REFER TO VENT PENETRATION DETAIL 6 / A5002.

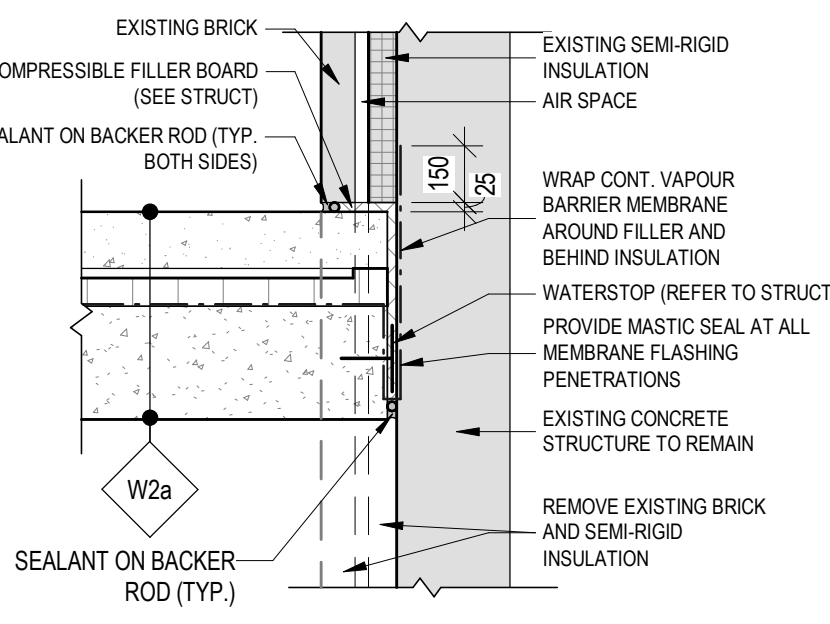


- ### PLAN KEYNOTES
- 1 DOSING TANKS
 - 2 CONCRETE CURB (REFER TO STRUCTURAL)
 - 3 PROCESS EQUIPMENT (REFER TO PROCESS)
 - 4 BLOWER EQUIPMENT (REFER TO PROCESS)
 - 5 ELECTRICAL EQUIPMENT (REFER TO ELECTRICAL)
 - 6 EXISTING DIGESTER
 - 7 NEW ROOF ABOVE CONNECTING PASSAGE BELOW REFER TO ENLARGED ROOF PLAN DRAWING 3/A3102
 - 8 EXISTING EXTERIOR PLATFORM AND ACCESS HATCH
 - 9 WALKWAY TO NEW AGS TANKS
 - 10 WORK TABLE REFER TO TYPICAL SECTION 2/A6002
 - 11 LINE OF EXISTING FLOOR SLAB ABOVE
 - 12 METAL CAP FLASHING
 - 13 REMOVABLE GUARDRAIL (REFER TO STRUCTURAL)
 - 14 MECHANICAL PENTHOUSE LOUVRE (REFER TO MECHANICAL)
 - 15 TRENCH DRAIN (SEE MECH.)
 - 16 RETAINING WALL (SEE CIVIL)

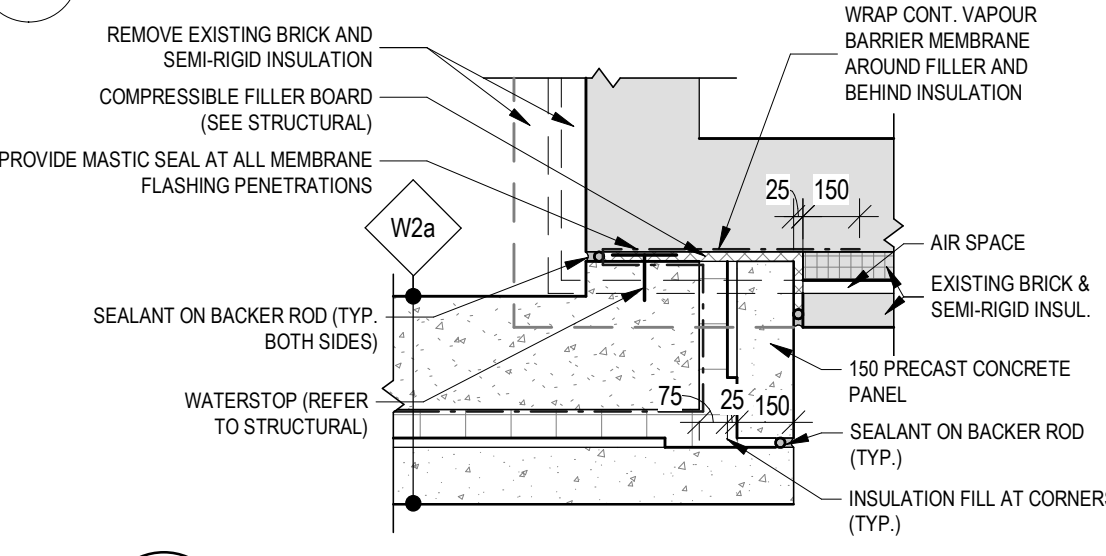
1 FIRST FLOOR PLAN
A3101 SCALE: 1:100

2 SECOND FLOOR PLAN
A3101 SCALE: 1:100

3 PRECAST WALL CORNER END DETAIL
A3101 SCALE: 1:20

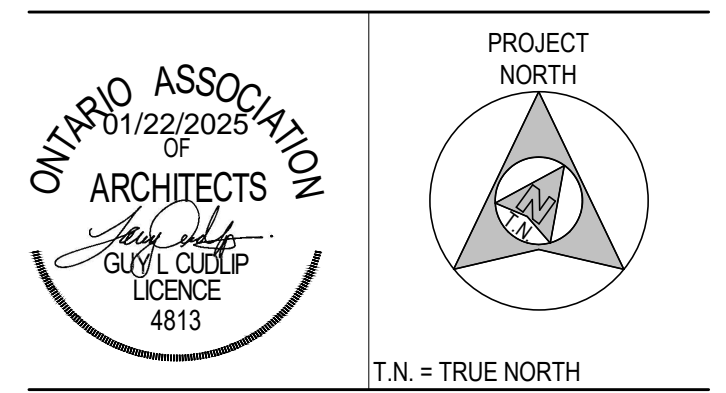


4 PRECAST WALL END DETAIL
A3101 SCALE: 1:20



DATE	NO.	REVISION
2025/01/23	2	ISSUED FOR TENDER
2024/06/23	1	ISSUED FOR ECA APPROVAL

THE DRAWINGS, ARRANGEMENTS, ANNOTATIONS AND GRAPHICAL PRESENTATIONS ON THIS DOCUMENT ARE THE PROPERTY OF EVB ENGINEERING WHO RETAINS OWNERSHIP AND AUTHORITY OF THIS DOCUMENT. IN ITS ENTIRETY THIS DOCUMENT IS AN INSTRUMENT OF SERVICE AND IS THE INTELLECTUAL AND PHYSICAL PROPERTY OF EVB ENGINEERING. AUTHORIZED USE OF THIS DRAWING IS GRANTED SOLELY FOR THE PURPOSE OF THIS SPECIFIC PROJECT AND LOCATION, AND NOT FOR CONSTRUCTION OR USE FOR ANY OTHER PROJECT. COPYRIGHT © 2024 EVB ENGINEERING.



CONSULTANT:
EVB ENGINEERING
 800 SECOND STREET WEST
 CORNWALL, ONTARIO CANADA, K6J 1H6
 TEL: 613-935-3775 | FAX: 613-935-6450
 WEBSITE: EVBengineering.com

SUB-CONSULTANT:
C2 Architecture
 C2 Architecture Inc.
 415 Baseline Road West
 Bowmanville, ON L1C 5M2
 ☎ 905.697.4464

CLIENT:
Greater Napanee
 WE ARE FOR WHAT WE BELIEVE IN

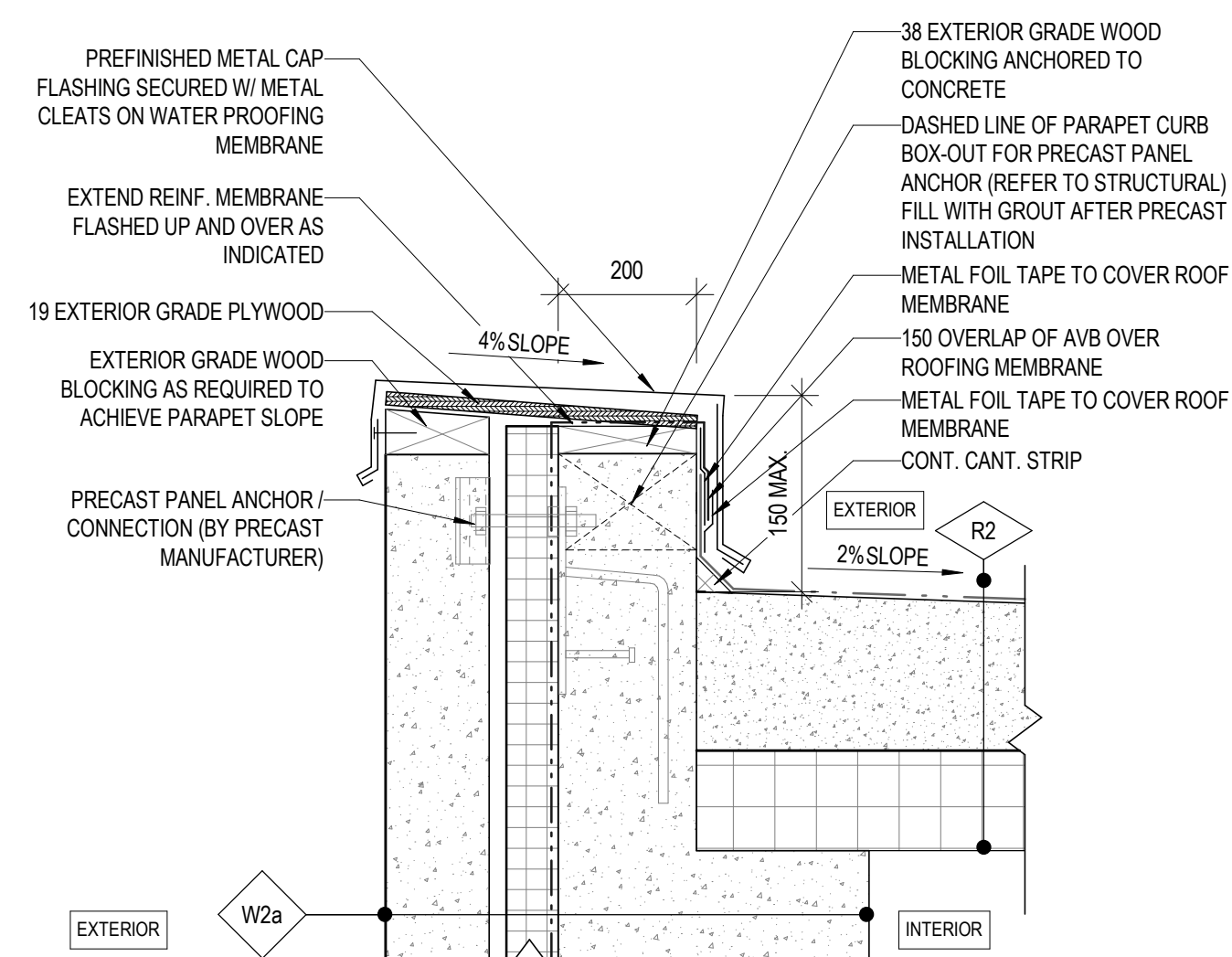
PROJECT:
NEW NAPANEE WPCP

TITLE:
**OPERATIONS BUILDING
 1ST & 2ND FLOOR PLANS**

SCALE:	JOB NO:
As indicated	22001
DESIGNED BY:	DATE:
LC	2025/01/23
DRAWN BY:	DRAWING NO.:
BB / CH	A3101
CHECKED BY:	
JB	

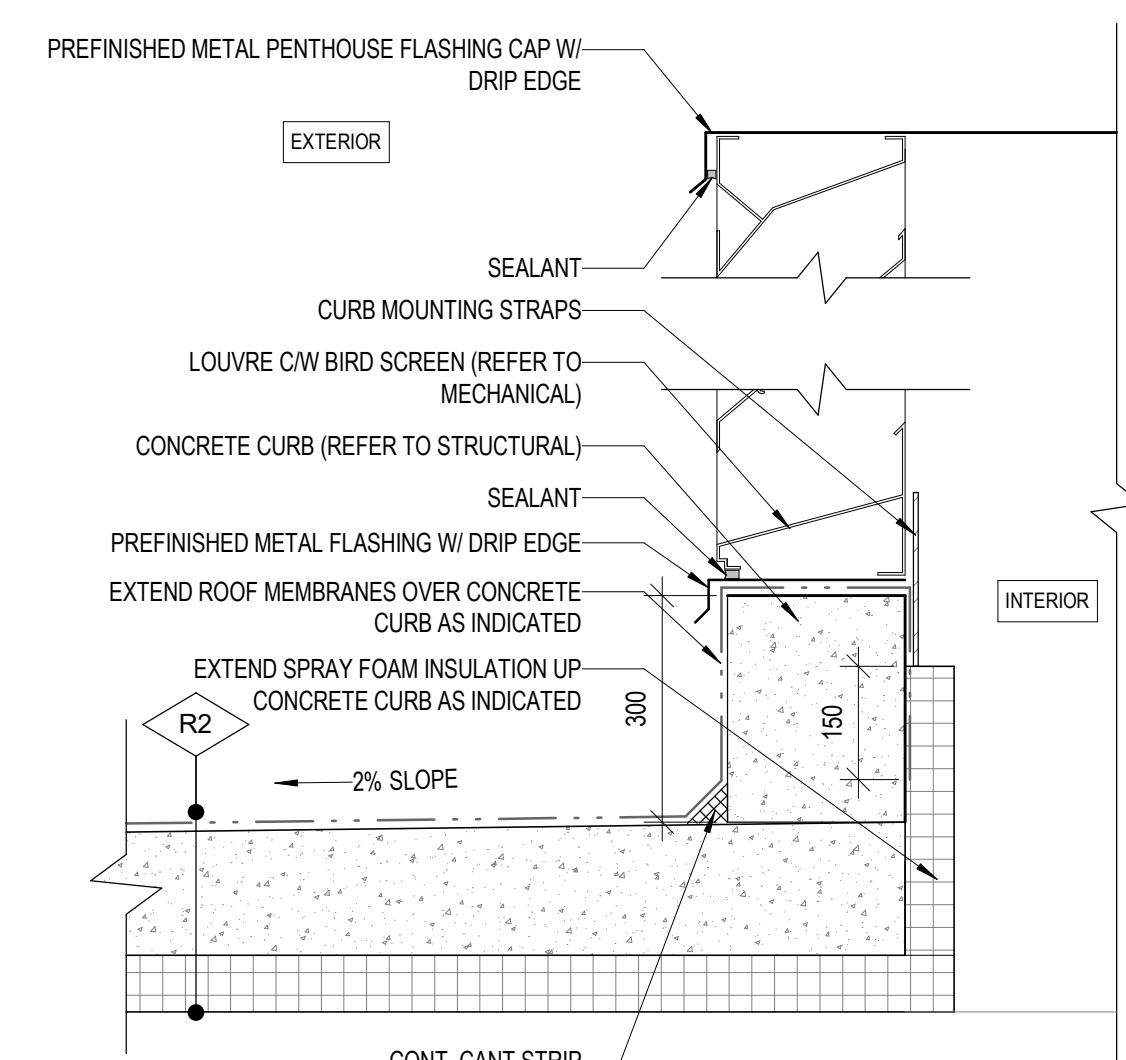
2025-01-22 1:47:45 PM Autodesk Docs://22001 - Napanee New WPCP/A24 - Napanee WPCP - New Operation.rvt

2025-01-22 1:47:46 PM Autodesk Docs://22001 - Napanee New WPCP/A24 - Napanee WPCP - New Operation.rvt

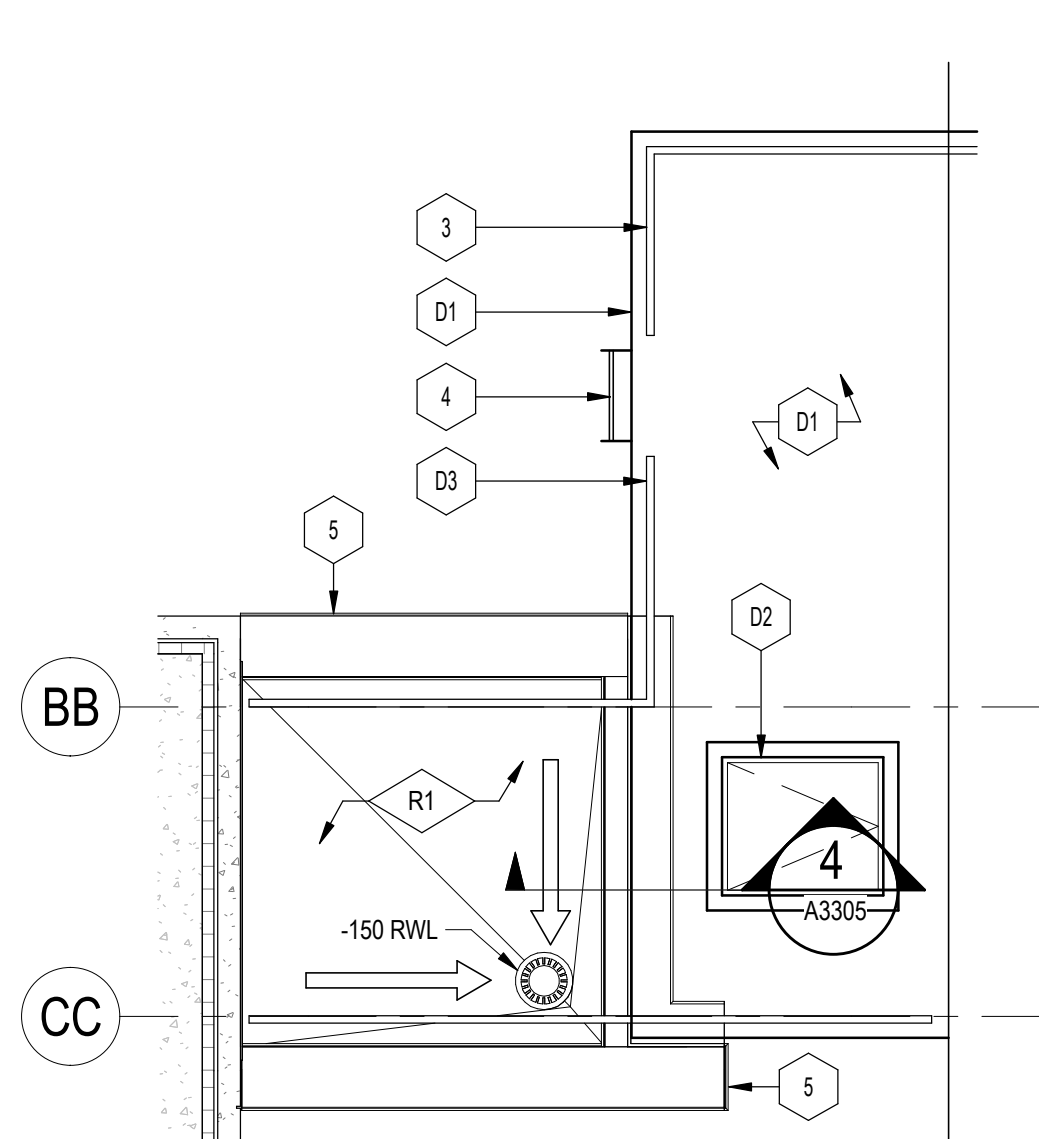


*PARAPET HEIGHT VARIES REFER TO SECTIONS FOR HEIGHTS

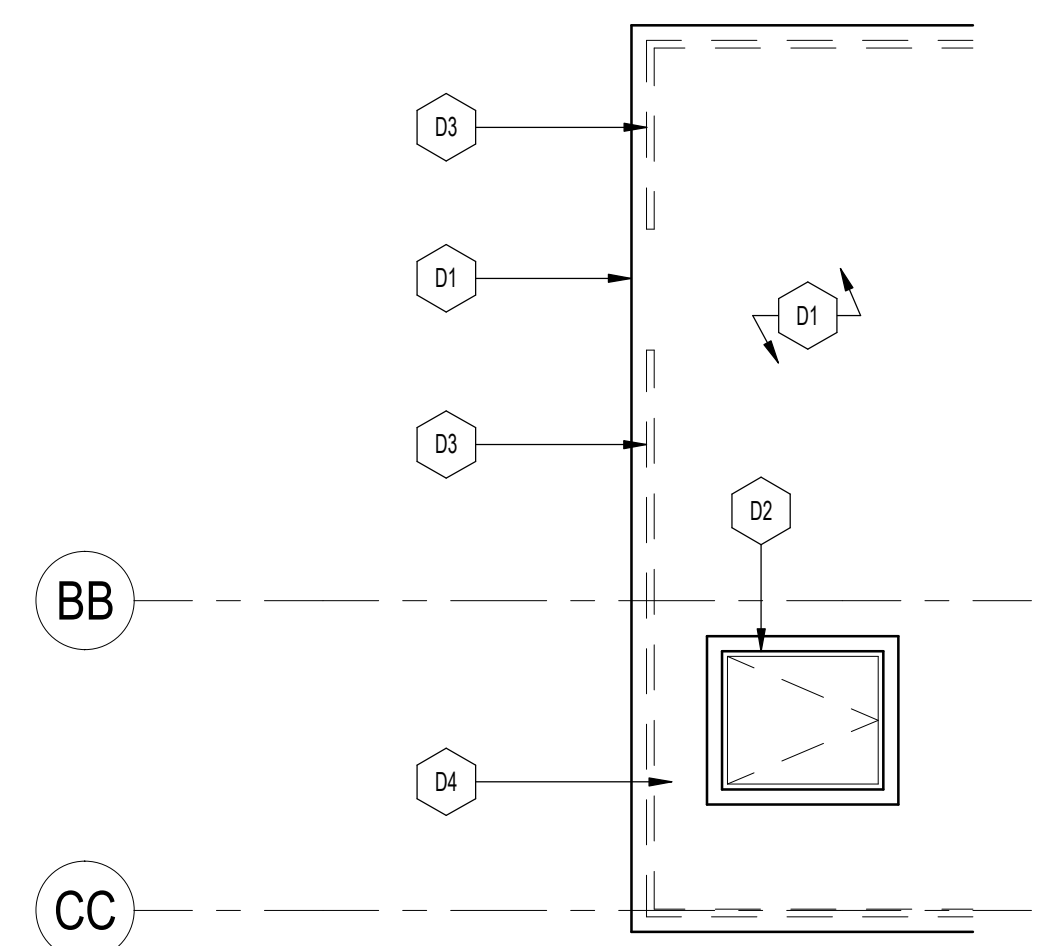
5 LOW PARAPET DETAIL @ R2
A3102 SCALE: 1:10



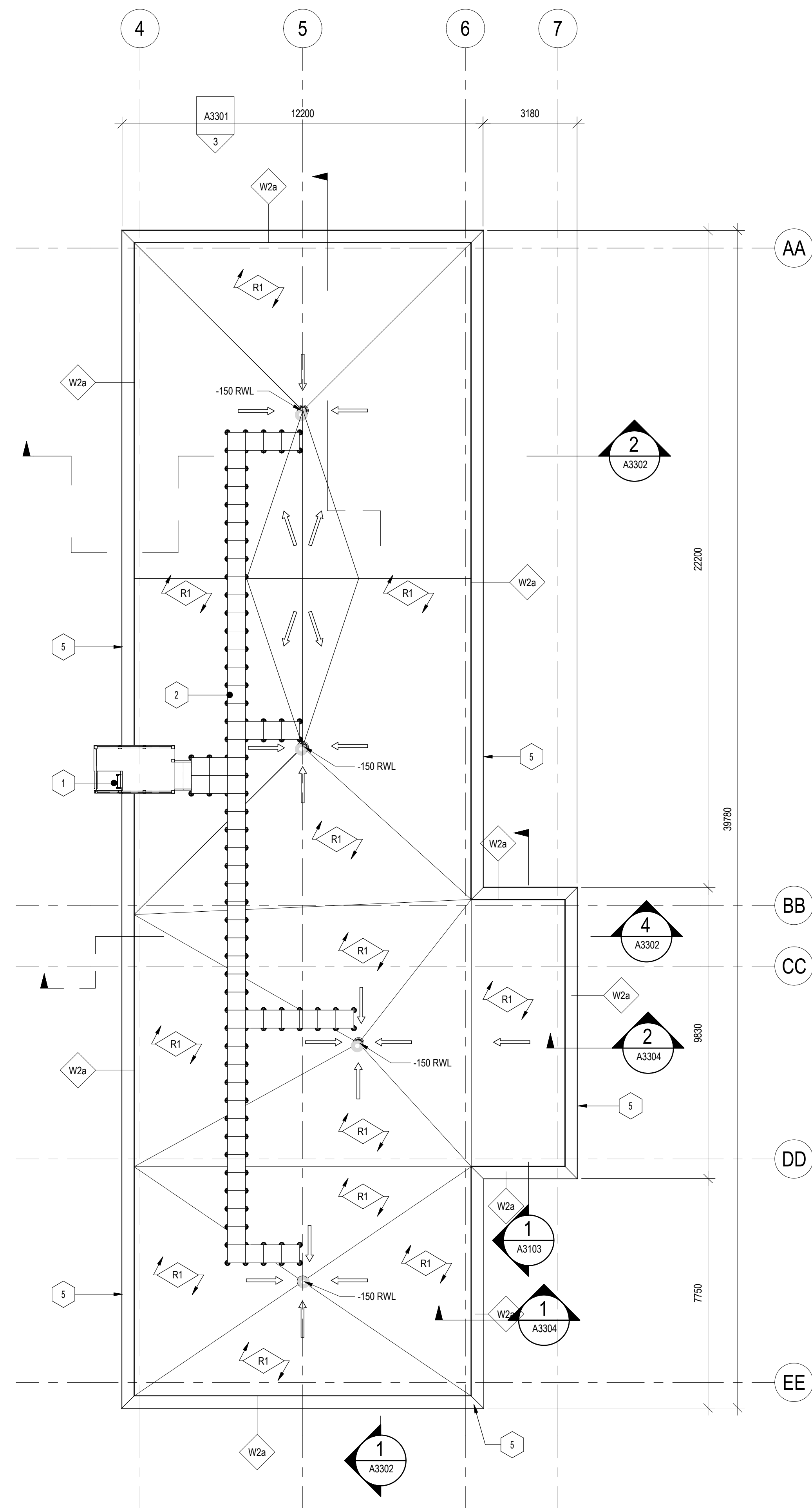
4 PENTHOUSE LOUVER DETAIL
A3102 SCALE: 1:10



3 ENLARGED LOWER ROOF PLAN AT DIGESTER PLATFORM
A3102 SCALE: 1:50



2 EXISTING DIGESTER BUILDING PLATFORM DEMOLITION PLAN
A3102 SCALE: 1:50



1 ROOF PLAN
A3102 SCALE: 1:100

- ### PLAN GENERAL NOTES
- REFER TO ELECTRICAL DRAWINGS/SPECIFICATIONS FOR ALL QUANTITIES/LOCATIONS OF ELECTRICAL RECEPTACLES.
 - REFER TO MECHANICAL DRAWINGS/SPECIFICATIONS FOR ALL QUANTITIES/LOCATIONS OF MECHANICAL RECEPTACLES.
 - REFER TO INTERIOR ELEVATIONS FOR ALL MILLWORK SCOPE/DETAILS.
 - UNLESS OTHERWISE INDICATED, LIGHTING TO BE CENTERED BETWEEN INTERIOR PARTITIONS OF BOUNDING ROOM.
 - ALL BULKHEAD WIDTHS SUBJECT TO SITE CONFIRMATION.
 - WHERE NO WALL FINISH HAS BEEN NOTED ON THE ELEVATIONS, THE WALL FINISH SHALL BE PAINT.
 - PLEASE NOTE, NOT ALL PLAN BASED EXTERIOR DETAILS ARE CALLED OUT IN THE PLANS. EXTERIOR DETAILS ARE LABELED TYP. WHERE THEY ARE TYPICAL, CONTRACTOR TO REVIEW ALL CONTRACT DOCUMENTS TO IDENTIFY QUANTITY AND LOCATION.
 - COORDINATE WITH MECHANICAL CONTRACTOR FOR LOCATION AND QUANTITY OF PLUMBING VENTS. REFER TO VENT PENETRATION DETAIL 6 / A5002.

- ### PLAN DETAIL GENERAL NOTES
- ALL MISCELLANEOUS METALS AND ANCHORS TO BE GALVANIZED IN NON-CCLASSIFIED SPACES (REFER TO LIFE SAFETY PLANS FOR LOCATION OF CLASSIFIED SPACES)
 - ALL MISCELLANEOUS METALS AND ANCHORS TO BE STAINLESS STEEL IN CLASSIFIED SPACES (REFER TO LIFE SAFETY PLANS FOR LOCATION OF CLASSIFIED SPACES)

- ### ROOF PLAN SYMBOLS LEGEND
- ← WATER FLOW DIRECTION
 - RAIN WATER LEADER
 - ◇ CRICKETS FORMED BY TAPERED INSULATION
 - ▣ ROOFTOP PEDESTAL PAVER SYSTEM

- ### ROOF PLAN KEYNOTES
- ROOF ACCESS LADDER (REFER TO STRUCTURAL)
 - PRECAST CONCRETE PAVERS AND PEDISTALS
 - CONTINUOUS GUARDRAIL (REFER TO STRUCTURAL)
 - LADDER MOUNTED TO EXISTING PLATFORM (REFER TO STRUCTURAL)
 - PREFINISHED METAL CAP FLASHING

- ### DEMOLITION PLAN KEYNOTES
- EXISTING PLATFORM TO REMAIN
 - EXISTING ROOF HATCH TO REMAIN
 - EXISTING GUARDRAIL TO BE REMOVED. PATCH AND REPAIR EXISTING CONCRETE TO RECEIVE NEW GUARD
 - PREPARE EXISTING CONCRETE SURFACE TO RECEIVE NEW ROOF MEMBRANE

2025/01/23	2	ISSUED FOR TENDER
2024/06/23	1	ISSUED FOR ECA APPROVAL
DATE	NO.	REVISION

THE DRAWINGS, ARRANGEMENTS, ANNOTATIONS AND GRAPHICAL PRESENTATIONS ON THIS DOCUMENT ARE THE PROPERTY OF EVB ENGINEERING WHO RETAINS OWNERSHIP AND AUTHORITY OF THIS DOCUMENT. IN ITS ENTIRETY THIS DOCUMENT IS AN INSTRUMENT OF SERVICE AND IS THE INTELLECTUAL AND PHYSICAL PROPERTY OF EVB ENGINEERING. AUTHORIZED USE OF THIS DRAWING IS GRANTED SOLELY FOR THE PURPOSE OF THIS SPECIFIC PROJECT AND LOCATION, AND NOT FOR CONSTRUCTION OR USE FOR ANY OTHER PROJECT. COPYRIGHT © 2024 EVB ENGINEERING.

ONTARIO ASSOCIATION
OF
ARCHITECTS
GUYL COULP
LICENCE
4813

PROJECT
NORTH

T.N. = TRUE NORTH

CONSULTANT:

800 SECOND STREET WEST
CORNWALL, ONTARIO CANADA, K6J 1H6
TEL: 613-935-3775 | FAX: 613-935-6450
WEBSITE: EVBengineering.com

SUB-CONSULTANT:

C2 Architecture Inc.
415 Baseline Road West
Bowmanville, ON L1C 5M2
905.697.4464

CLIENT:

Greater Napanee
GRANDS FOR SMART BUSINESS

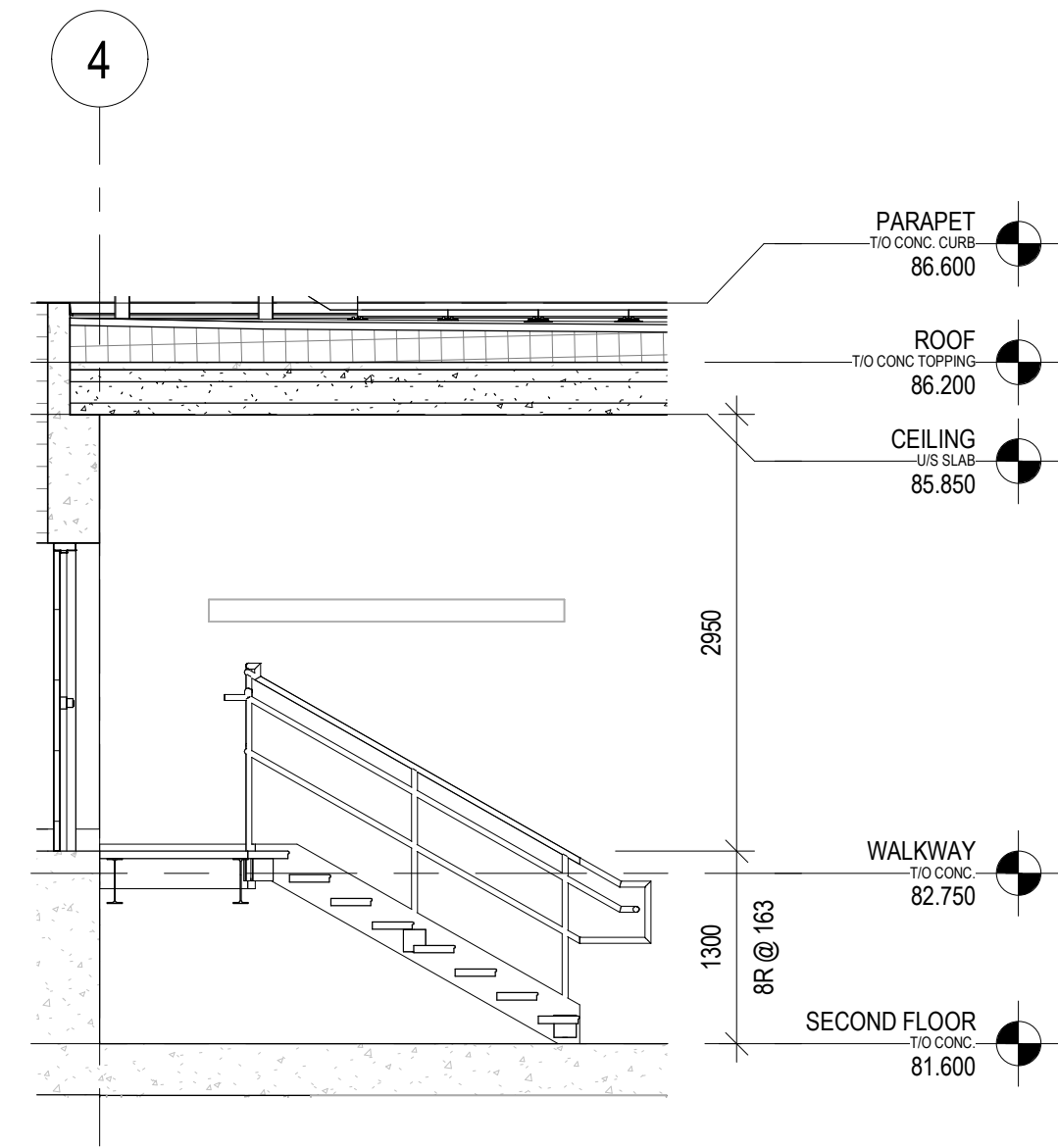
PROJECT:

NEW NAPANEE WPCP

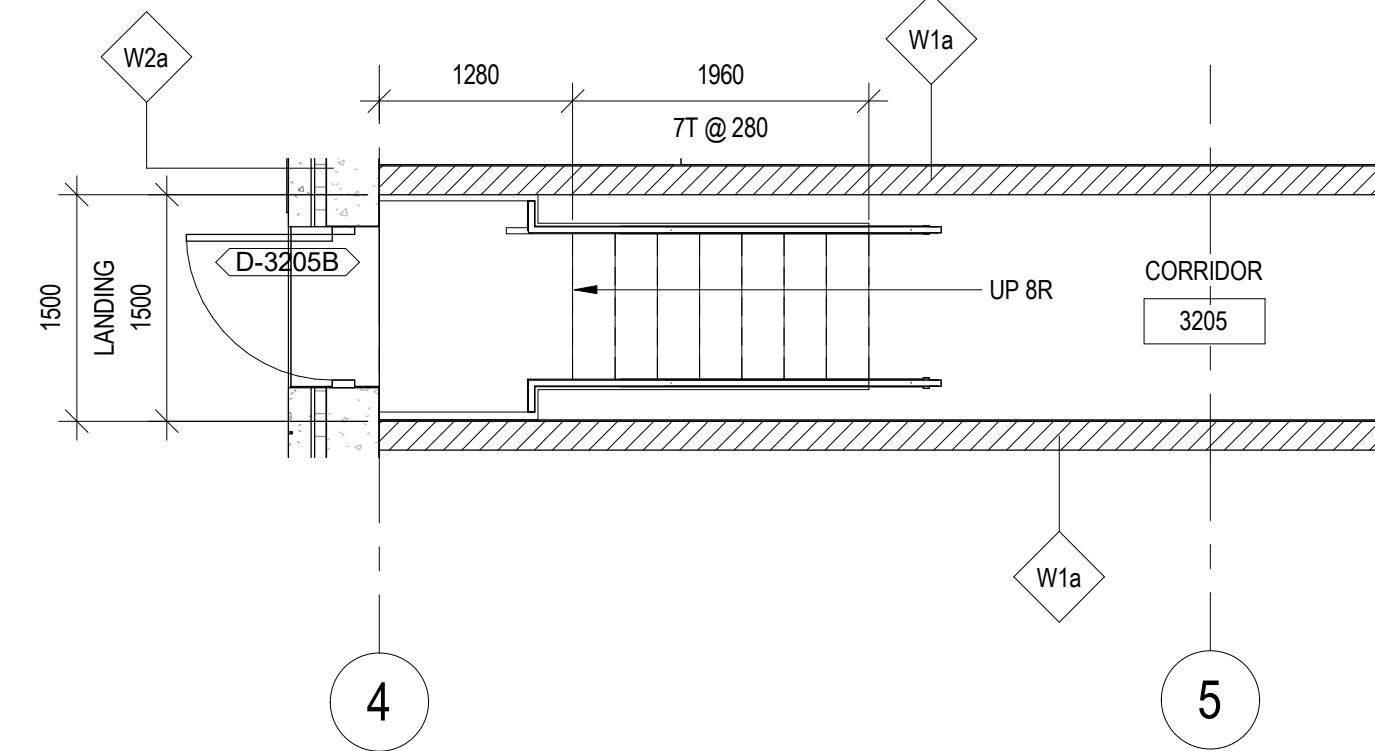
TITLE:

OPERATIONS BUILDING
ROOF PLAN

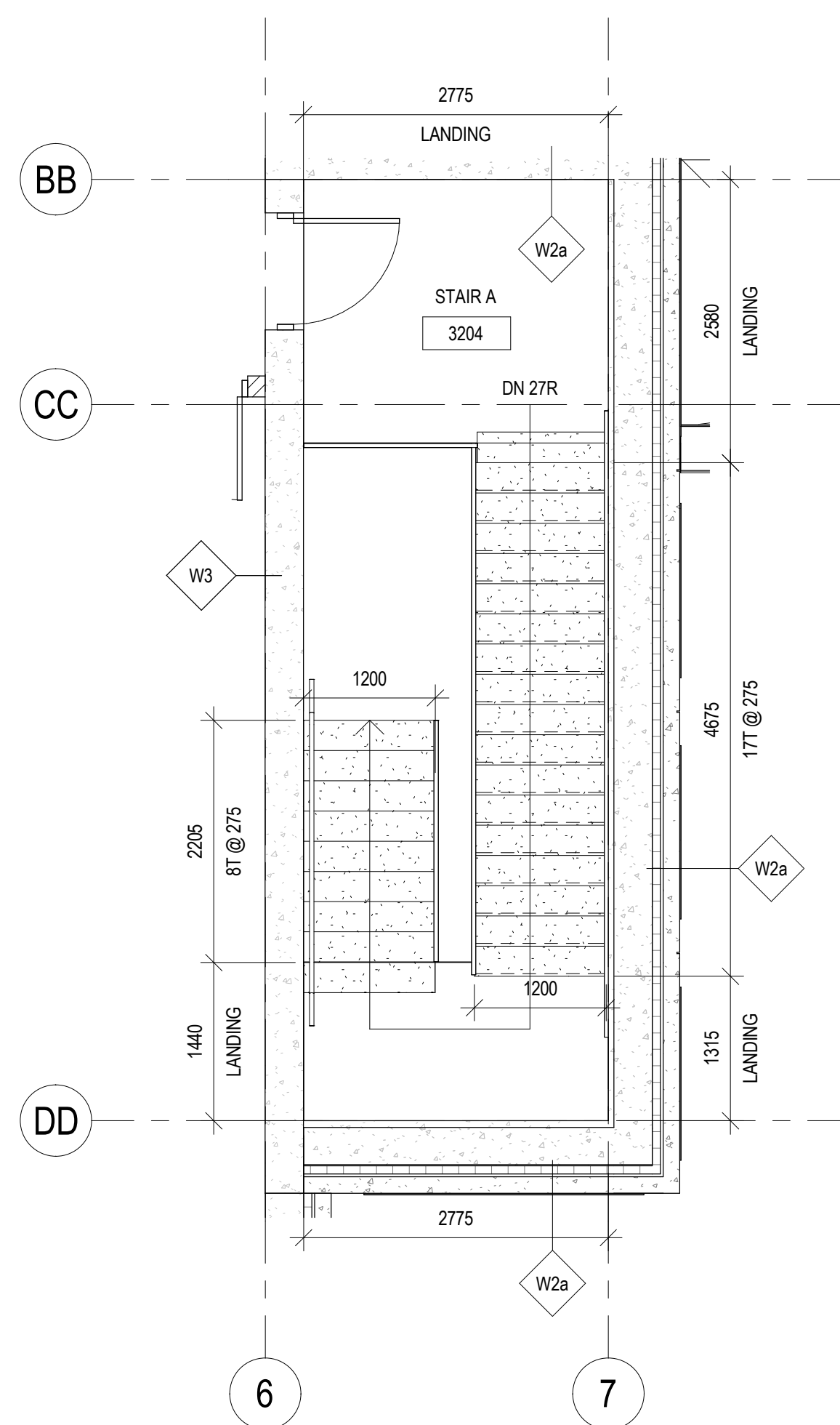
SCALE: As indicated	JOB NO: 22001
DESIGNED BY: LC	DATE: 2025/01/23
DRAWN BY: BB / CH	DRAWING NO.:
CHECKED BY: JB	A3102



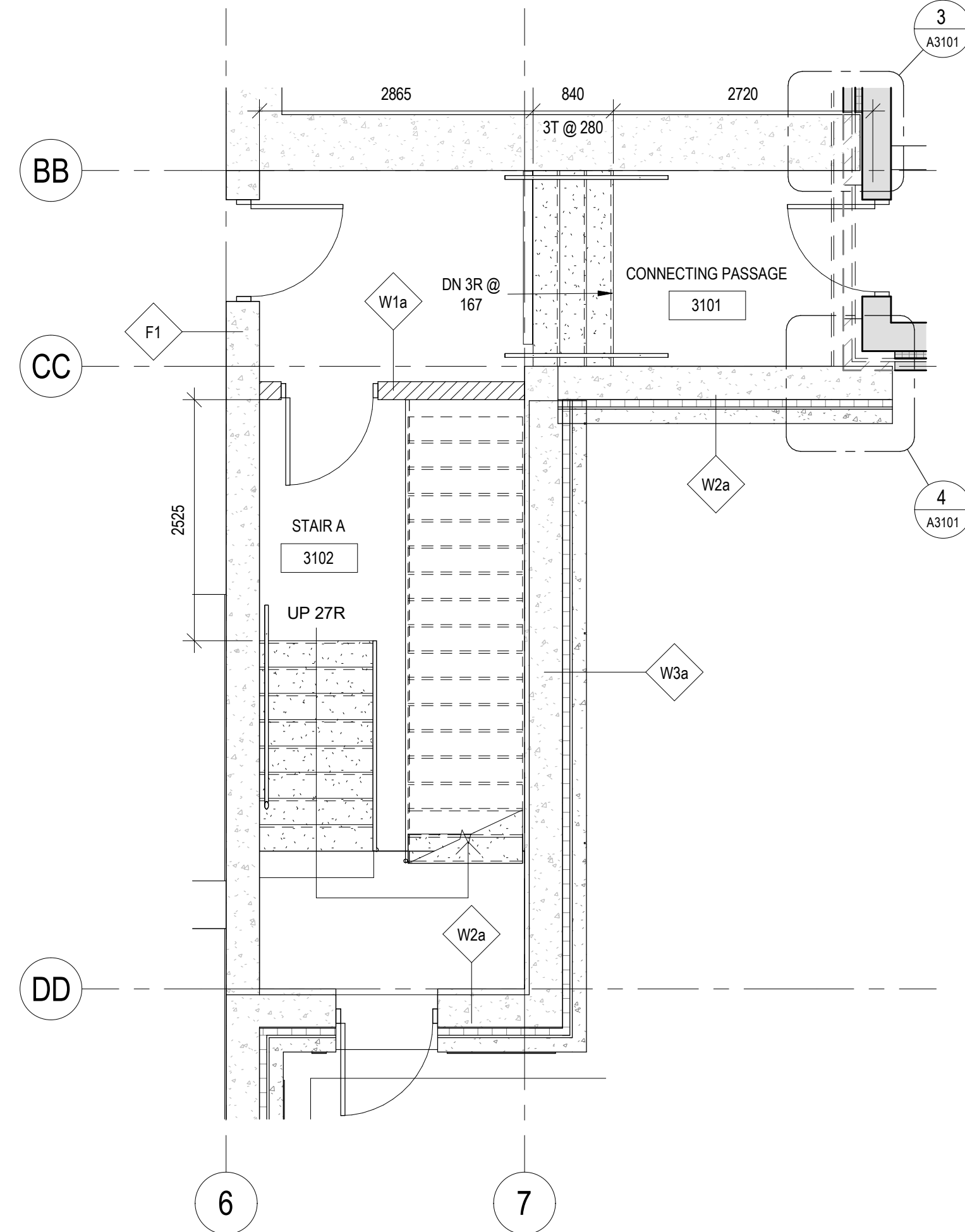
5 ACCESS TO ROOF STAIR SECTION
A3103 SCALE: 1:50



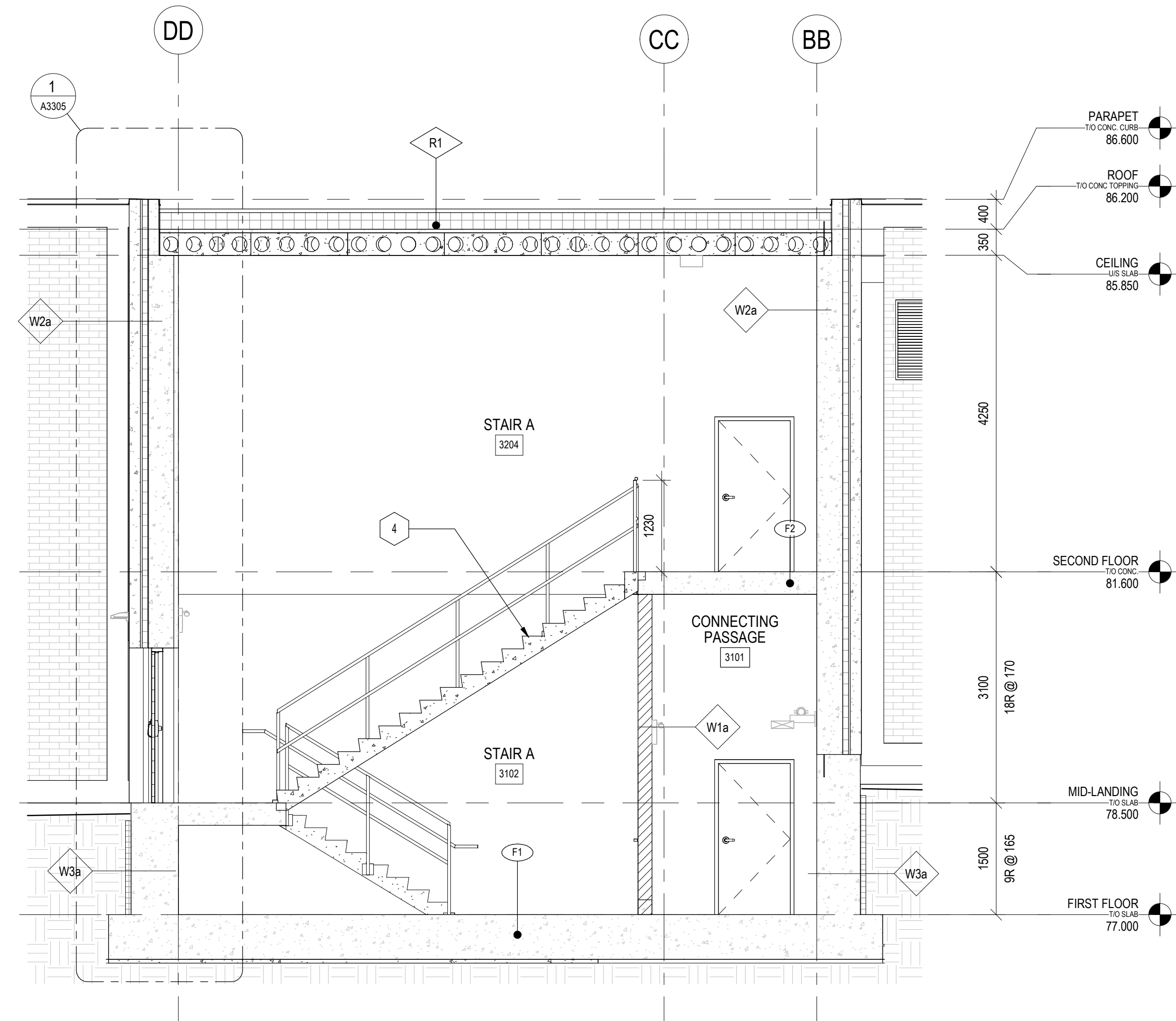
4 ENLARGED STAIR PLAN - ACCESS TO ROOF PLATFORM
A3103 SCALE: 1:50



3 ENLARGED 1ST FLOOR STAIR PLAN
A3103 SCALE: 1:50



2 ENLARGED 2ND FLOOR STAIR PLAN
A3103 SCALE: 1:50



1 EXIT STAIRS SECTION
A3103 SCALE: 1:50

DATE	NO.	REVISION
2025/01/23	2	ISSUED FOR TENDER
2024/06/23	1	ISSUED FOR ECA APPROVAL

THE DRAWINGS, ARRANGEMENTS, ANNOTATIONS AND GRAPHICAL PRESENTATIONS ON THIS DOCUMENT ARE THE PROPERTY OF EVB ENGINEERING WHO RETAINS OWNERSHIP AND AUTHORITY OF THIS DOCUMENT. IN ITS ENTIRETY THIS DOCUMENT IS AN INSTRUMENT OF SERVICE AND IS THE INTELLECTUAL AND PHYSICAL PROPERTY OF EVB ENGINEERING. AUTHORIZED USE OF THIS DRAWING IS GRANTED SOLELY FOR THE PURPOSE OF THIS SPECIFIC PROJECT AND LOCATION, AND NOT FOR CONSTRUCTION OR USE FOR ANY OTHER PROJECT. COPYRIGHT © 2024 EVB ENGINEERING.

ONTARIO ASSOCIATION OF ARCHITECTS
GUYL COULP
LICENCE 4813

PROJECT NORTH
T.N. = TRUE NORTH

CONSULTANT:
EVB ENGINEERING
800 SECOND STREET WEST
CORNWALL, ONTARIO CANADA, K6J 1H6
TEL: 613-935-3775 | FAX: 613-935-6450
WEBSITE: EVBengineering.com

SUB-CONSULTANT:
C2 Architecture
C2 Architecture Inc.
415 Baseline Road West
Bowmanville, ON L1C 5M2
905.697.4464

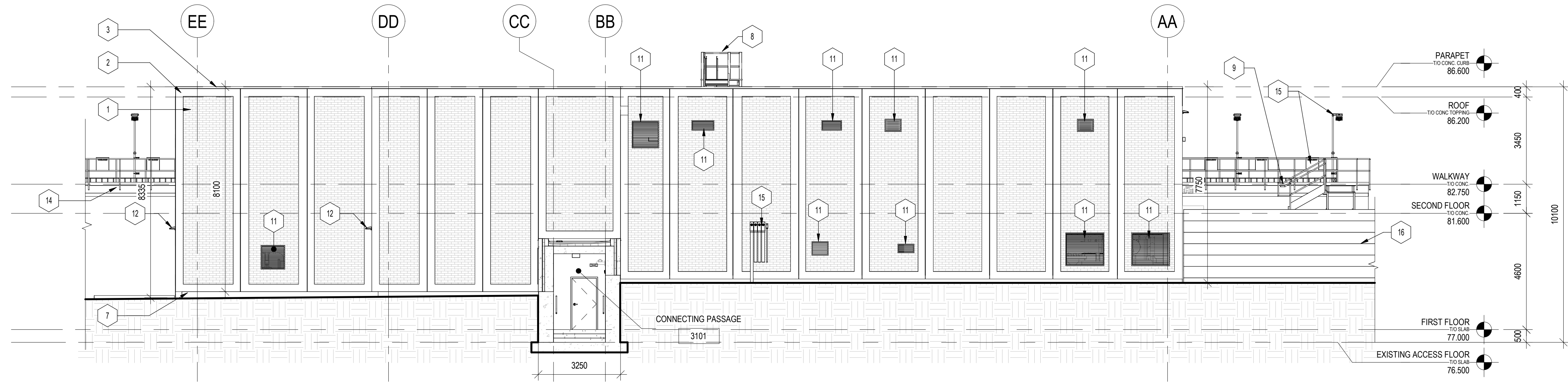
CLIENT:
Greater Napanee
GREATERS FOR MANY REASONS

PROJECT:
NEW NAPANEE WPCP

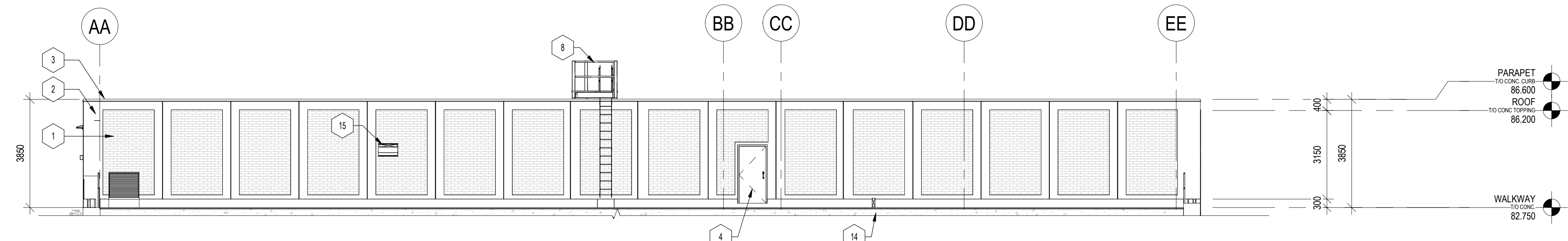
TITLE:
**OPERATIONS BUILDING
STAIR ENLARGED PLANS AND
SECTIONS**

SCALE: 1:50	JOB NO: 22001
DESIGNED BY: LC	DATE: 2025/01/23
DRAWN BY: BB / CH	DRAWING NO.:
CHECKED BY: JB	A3103

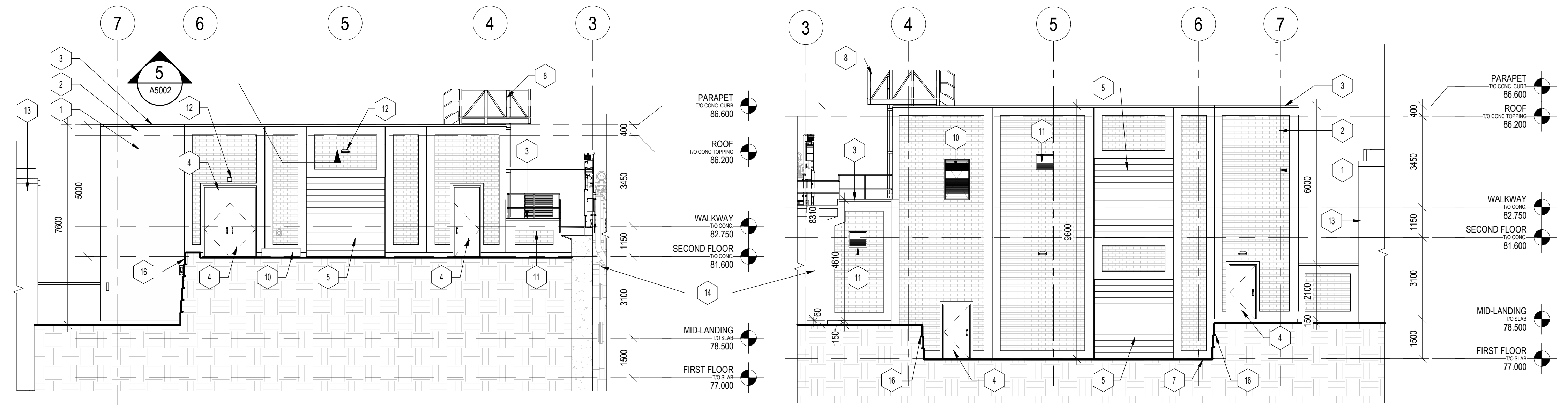
2025-01-22 1:47:55 PM Autodesk Docs://22001 - Napanee New WPCP/A24 - Napanee WPCP - New Operation.rvt



1 EAST ELEVATION
A3301 SCALE: 1:100



2 WEST ELEVATION
A3301 SCALE: 1:100



3 NORTH ELEVATION
A3301 SCALE: 1:100

4 SOUTH ELEVATION
A3301 SCALE: 1:100

ELEVATION KEYNOTES	
1	ARCHITECTURAL PRECAST CONCRETE PANELS (TEXTURED FACE BRICK RELIEF PATTERN, SEALED AND STAINED BY MANUFACTURER)
2	ARCHITECTURAL PRECAST CONCRETE PANELS (SMOOTH FINISH, SEALED BY MANUFACTURER)
3	PREFINISHED METAL CAP FLASHING
4	INSULATED DOORS AND FRAMES. REFER TO DOOR SCHEDULE FOR MATERIAL AND FINISH.
5	INSULATED PREFINISHED DRIVE-IN ROLL UP ACCESS DOOR. REFER TO DOOR SCHEDULE FOR MATERIAL AND FINISH.
6	ALUMINUM FRAMES WITH LOW 'E' COATED DOUBLE GLAZING (REFER TO DOOR & WINDOW SCHEDULES)
7	POURED CONCRETE FOUNDATION (REFER TO STRUCTURAL)
8	ROOF ACCESS LADDER (REFER TO STRUCTURAL)
9	ACCESS STAIRS AND PLATFORM TO TOP OF AGS TANK (REFER TO STRUCTURAL)
10	PROCESS EQUIPMENT (REFER TO PROCESS)
11	PREFINISHED METAL LOUVRE (REFER TO MECHANICAL)
12	SURFACE MOUNTED ELECTRICAL LIGHT FIXTURE (REFER TO ELECTRICAL)
13	EXISTING DIGESTER
14	NEW AGS TANKS
15	ELECTRICAL EQUIPMENT (REFER TO ELECTRICAL)
16	RETAINING WALL (REFER TO CIVIL)

DATE	NO.	REVISION
2025/01/23	2	ISSUED FOR TENDER
2024/06/23	1	ISSUED FOR ECA APPROVAL

THE DRAWINGS, ARRANGEMENTS, ANNOTATIONS AND GRAPHICAL PRESENTATIONS ON THIS DOCUMENT ARE THE PROPERTY OF EVB ENGINEERING WHO RETAINS OWNERSHIP AND AUTHORSHIP OF THIS DOCUMENT. IN ITS ENTIRETY THIS DOCUMENT IS AN INSTRUMENT OF SERVICE AND IS THE INTELLECTUAL AND PHYSICAL PROPERTY OF EVB ENGINEERING. AUTHORIZED USE OF THIS DRAWING IS GRANTED SOLELY FOR THE PURPOSE OF THIS SPECIFIC PROJECT AND LOCATION, AND NOT FOR CONSTRUCTION OR USE FOR ANY OTHER PROJECT. COPYRIGHT © 2024 EVB ENGINEERING.



CONSULTANT:

EVB ENGINEERING
 800 SECOND STREET WEST
 CORNWALL, ONTARIO CANADA, K6J 1H6
 TEL: 613-935-3775 | FAX: 613-935-6450
 WEBSITE: EVBengineering.com

SUB-CONSULTANT:

C2 Architecture Inc.
 415 Baseline Road West
 Bowmanville, ON L1C 5M2
 ☎ 905.697.4464

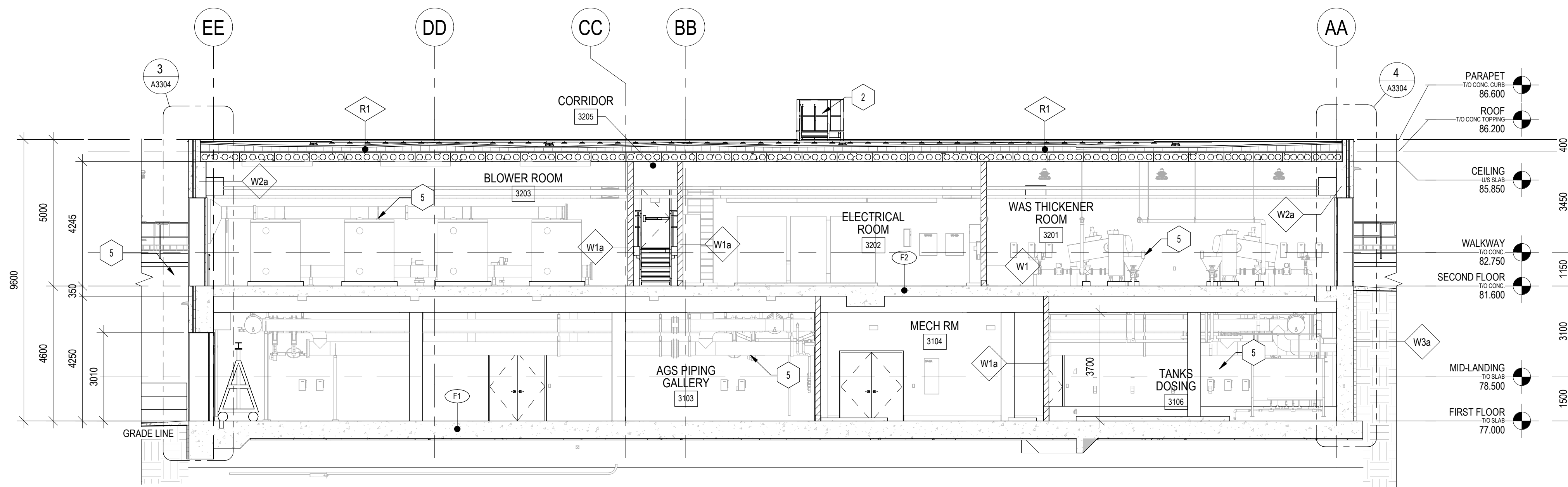
CLIENT:

Greater Napanee
CREATING FOR BAYWATER REGION

PROJECT:
NEW NAPANEE WPCP

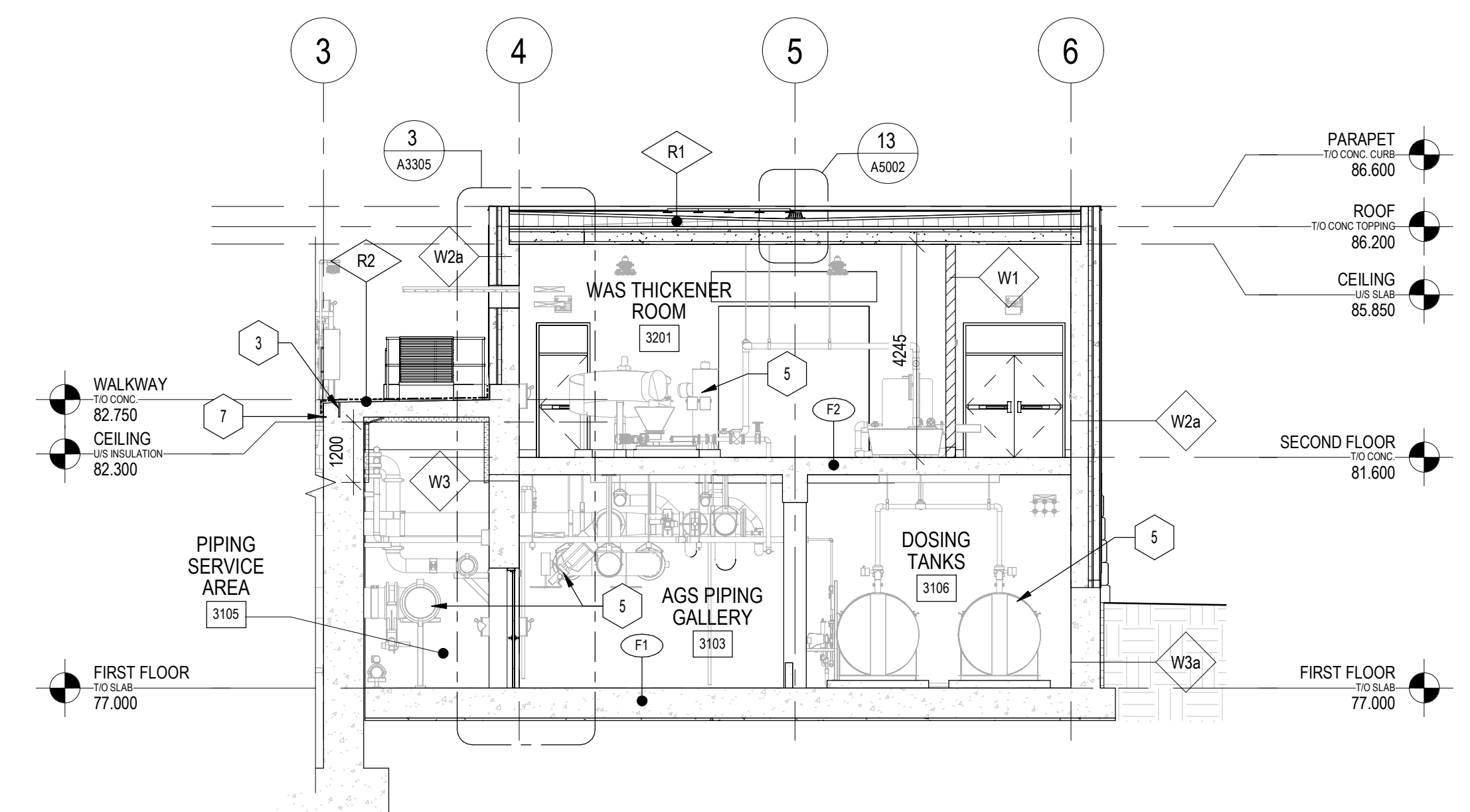
TITLE:
OPERATIONS BUILDING ELEVATIONS

SCALE: 1:100	JOB NO: 22001
DESIGNED BY: LC	DATE: 2025/01/23
DRAWN BY: BB / CH	DRAWING NO. A3301
CHECKED BY: JB	

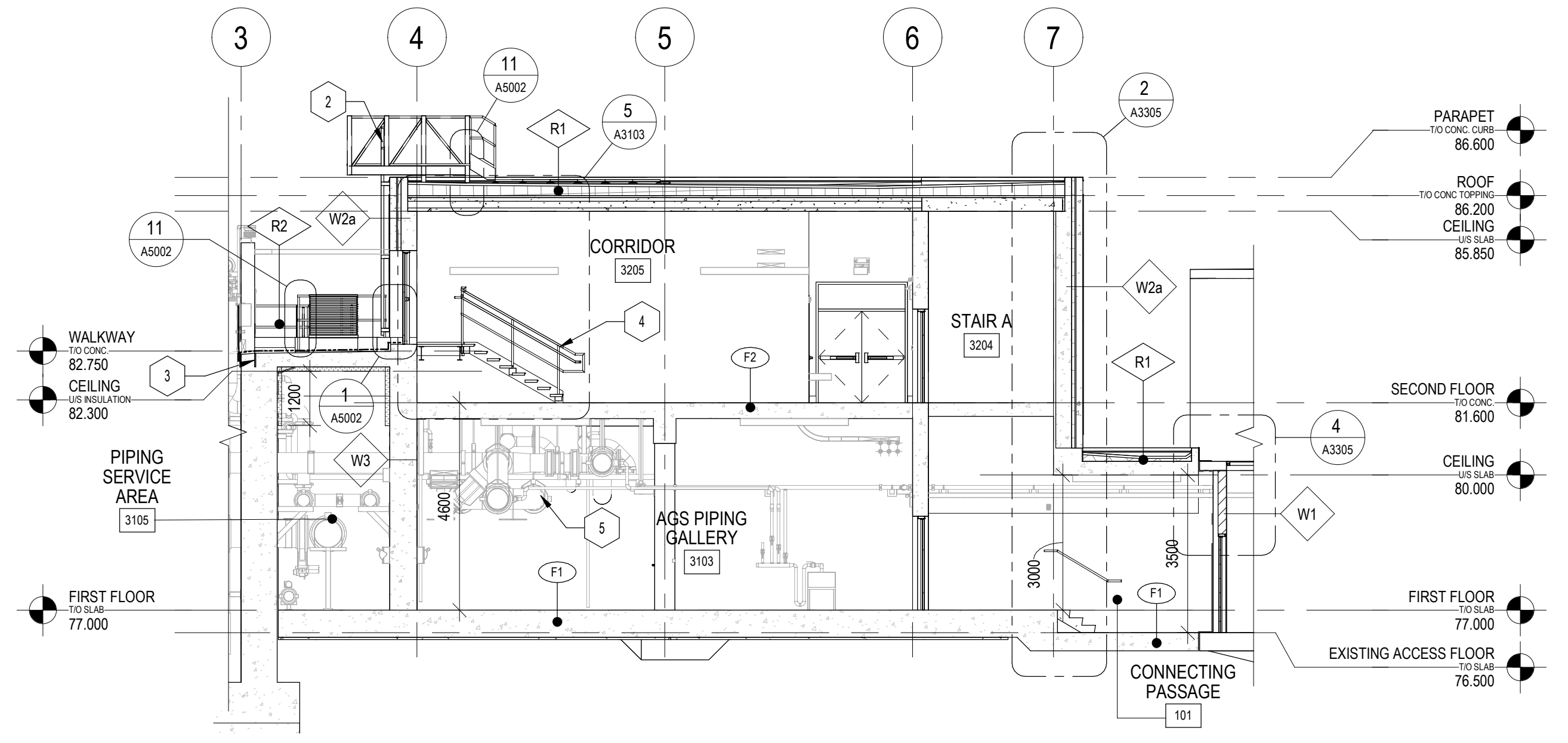


1 E/W BUILDING SECTION
A3302 SCALE: 1:100

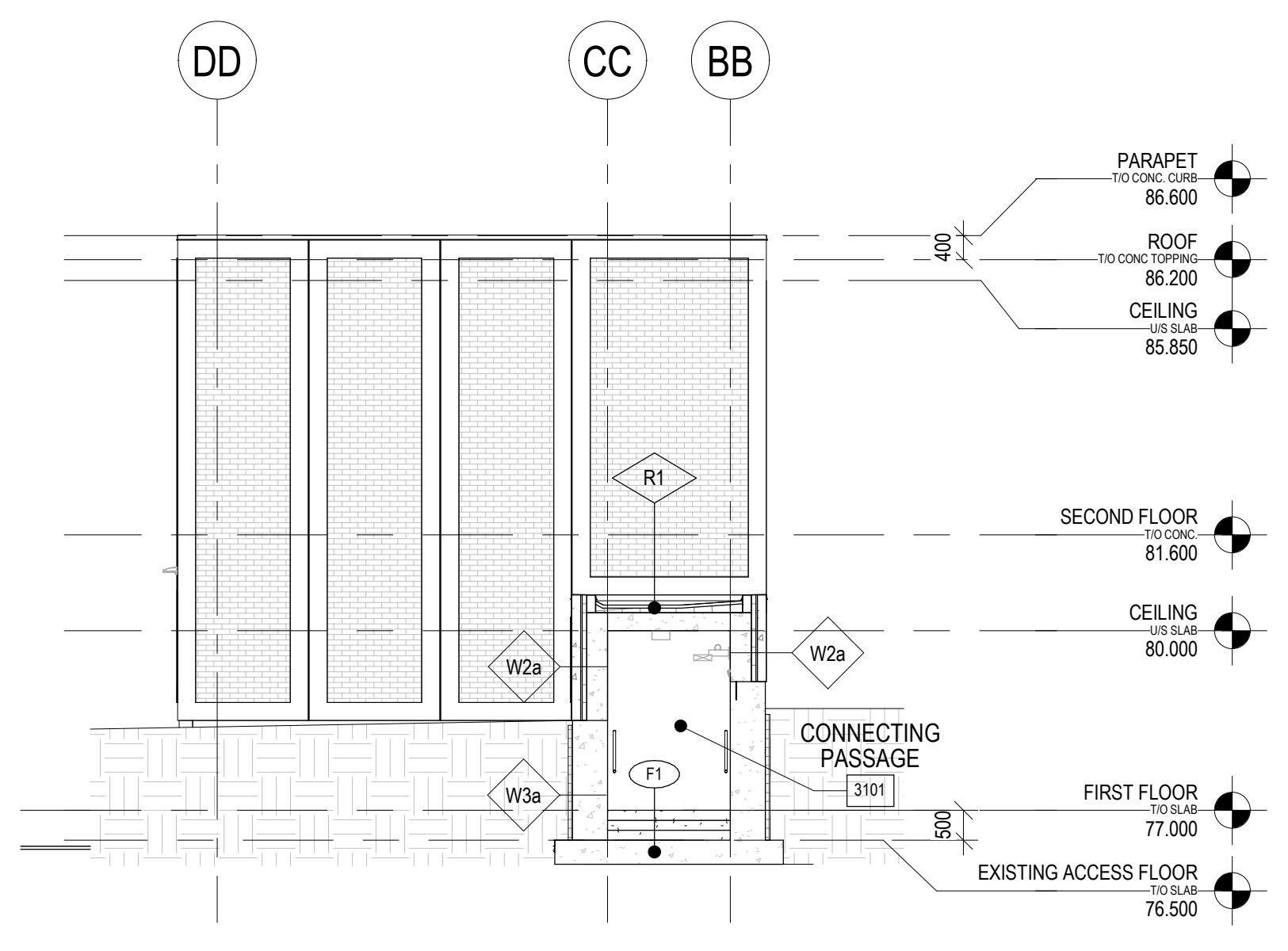
- BUILDING SECTION GENERAL NOTES**
- PLEASE NOTE, NOT ALL SECTION BASED EXTERIOR DETAILS ARE CALLED OUT IN THE SECTIONS. EXTERIOR DETAILS ARE LABELED TYP. WHERE THEY ARE TYPICAL. CONTRACTOR TO REVIEW ALL CONTRACT DOCUMENTS TO IDENTIFY QUANTITY AND LOCATION.
- BUILDING SECTION KEYNOTES**
- N/A
 - ROOF ACCESS LADDER (REFER TO STRUCTURAL)
 - EXPANSION JOINT (REFER TO SPECIFICATIONS)
 - STAIR (REFER TO STRUCTURAL FOR DETAILS)
 - PROCESS EQUIPMENT (REFER TO PROCESS)
 - AGS TANKS BEYOND
 - TERMINATION OF ROOF MEMBRANE (REFER TO STRUCTURAL)



2 N/S BUILDING SECTION
A3302 SCALE: 1:100



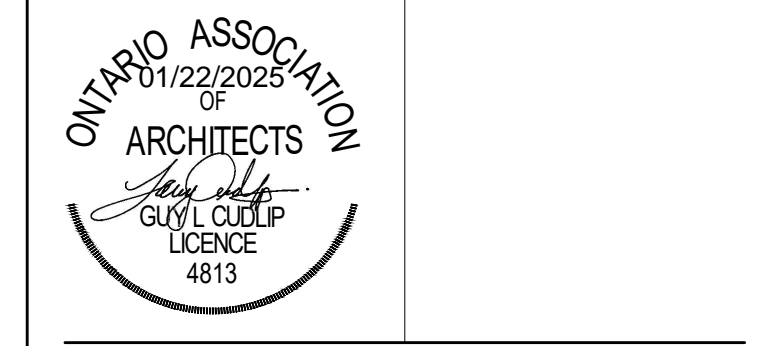
4 N/S BUILDING SECTION @ CONNECTING PASSAGE
A3302 SCALE: 1:100



5 CONNECTING PASSAGE SECTION
A3302 SCALE: 1:100

DATE	NO.	REVISION
2025/01/23	2	ISSUED FOR TENDER
2024/06/23	1	ISSUED FOR ECA APPROVAL

THE DRAWINGS, ARRANGEMENTS, ANNOTATIONS AND GRAPHICAL PRESENTATIONS ON THIS DOCUMENT ARE THE PROPERTY OF EVB ENGINEERING WHO RETAINS OWNERSHIP AND AUTHORSHIP OF THIS DOCUMENT. IN ITS ENTIRETY THIS DOCUMENT IS AN INSTRUMENT OF SERVICE AND IS THE INTELLECTUAL AND PHYSICAL PROPERTY OF EVB ENGINEERING. AUTHORIZED USE OF THIS DRAWING IS GRANTED SOLELY FOR THE PURPOSE OF THIS SPECIFIC PROJECT AND LOCATION, AND NOT FOR CONSTRUCTION OR USE FOR ANY OTHER PROJECT. COPYRIGHT © 2024 EVB ENGINEERING.



CONSULTANT:

800 SECOND STREET WEST
CORNWALL, ONTARIO CANADA, K6J 1H6
TEL: 613-935-3775 | FAX: 613-935-6450
WEBSITE: EVBengineering.com

SUB-CONSULTANT:

C2 Architecture Inc.
415 Baseline Road West
Bowmanville, ON L1C 5M2
905.697.4464

CLIENT:

Greater Napanee
CREATING FOR MANY REASONS

PROJECT:

NEW NAPANEE WPCP

TITLE:

OPERATIONS BUILDING SECTIONS

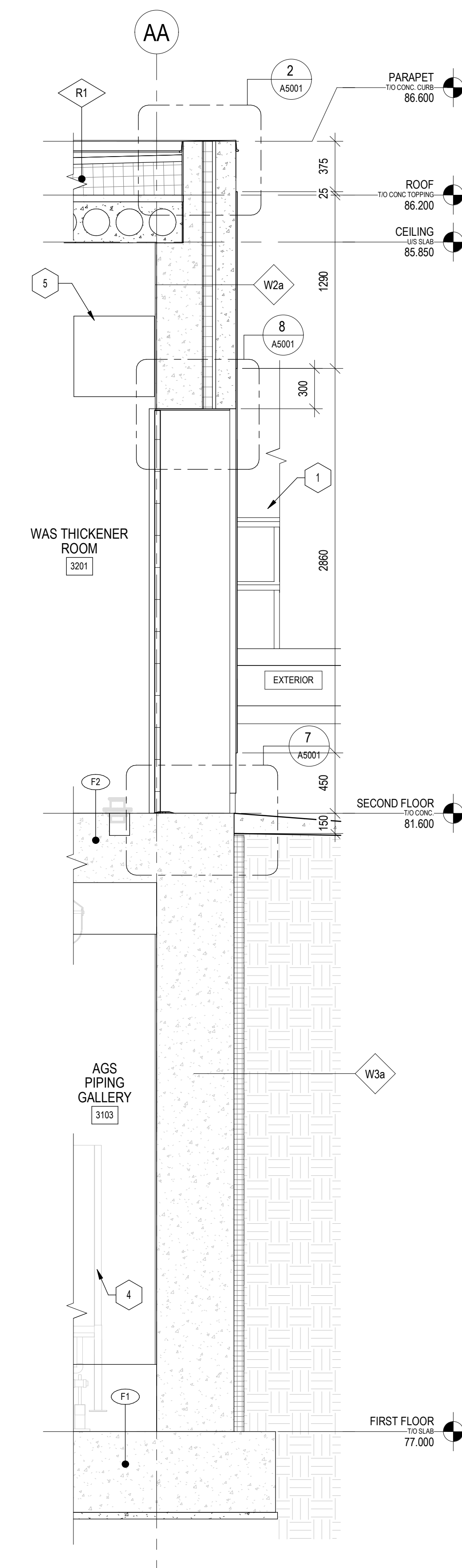
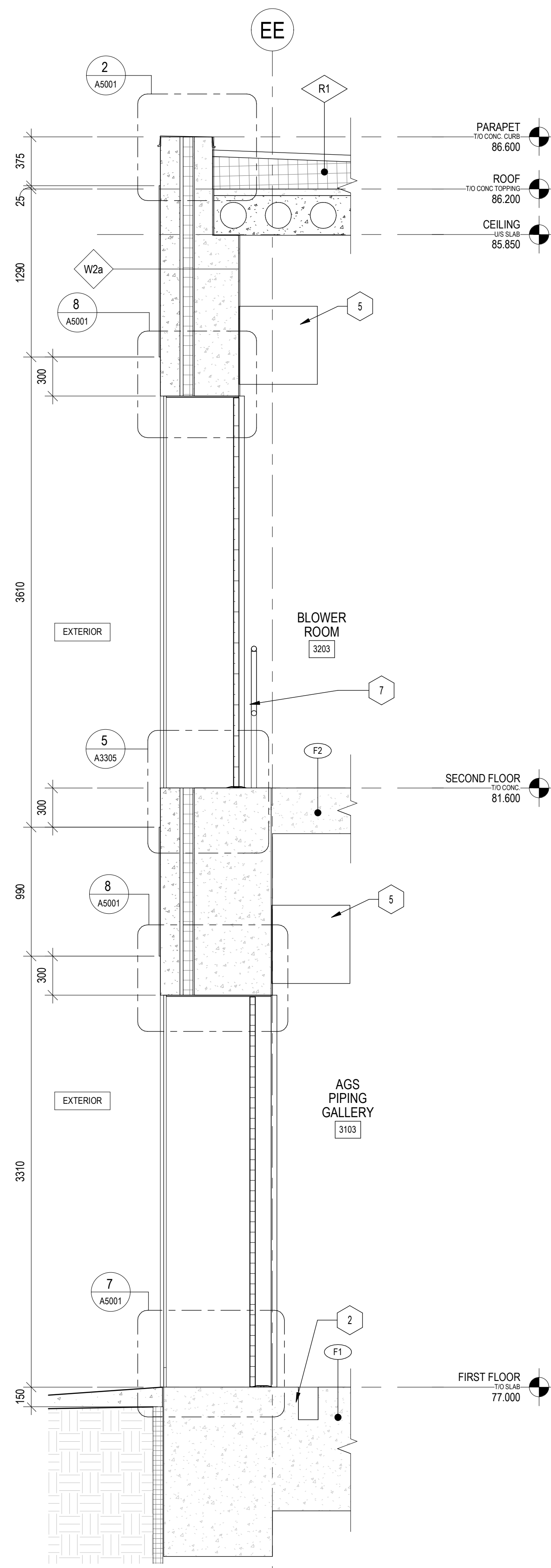
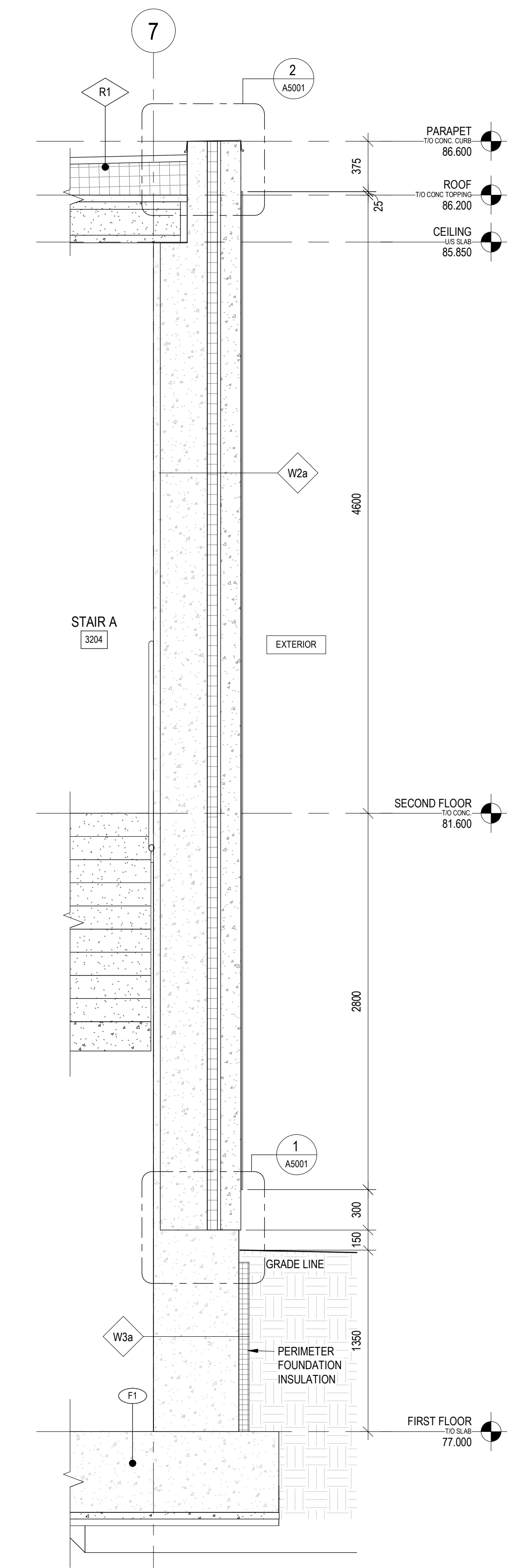
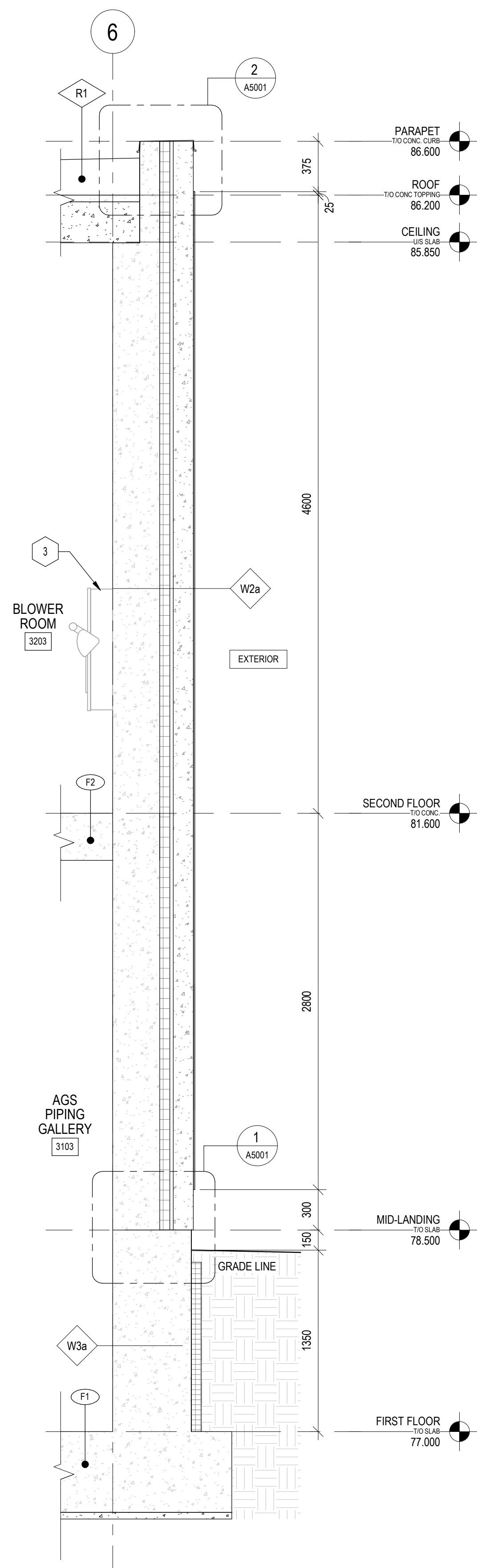
SCALE: 1:100	JOB NO: 22001
DESIGNED BY: LC	DATE: 2025/01/23
DRAWN BY: BB / CH	DRAWING NO.:
CHECKED BY: JB	A3302

WALL SECTION GENERAL NOTES

1. PLEASE NOTE, NOT ALL SECTION BASED EXTERIOR DETAIL ARE CALLED OUT IN THE WALL SECTIONS. EXTERIOR DETAIL SHEETS ARE LABELED TYP. WHERE THEY ARE TYPICAL, CONTRACTOR TO REVIEW ALL CONTRACT DOCUMENTS TO IDENTIFY QUANTITY AND LOCATION.

WALL SECTION KEYNOTES

- 1 FIXED GUARDRAIL (REFER TO STRUCTURAL)
- 2 DRAINAGE CHANNEL (REFER TO STRUCTURAL)
- 3 ELECTRICAL EQUIPMENT (REFER TO ELECTRICAL)
- 4 PROCESS EQUIPMENT (REFER TO PROCESS)
- 5 ROOL UP ACCESS DOOR HOOD
- 6 PRE-CAST CONCRETE STAIR (REFER TO STRUCTURAL)
- 7 REMOVABLE GUARDRAIL (REFER TO STRUCTURAL)



1 SECTION THROUGH EAST EXT WALL
A3304 SCALE: 1:25

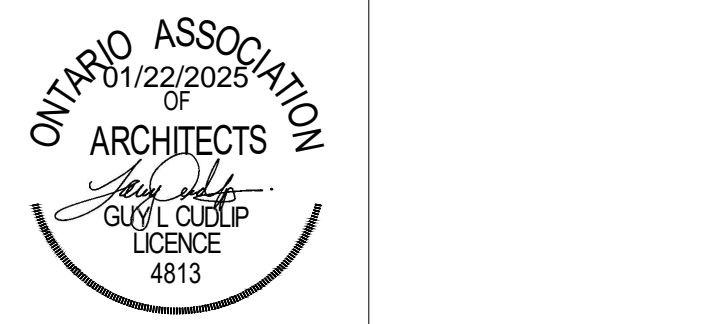
2 STAIRS EAST EXT WALL SECTION
A3304 SCALE: 1:25

3 SECTION THROUGH SOUTH EXT WALL
A3304 SCALE: 1:25

4 SECTION THROUGH NORTH EXT WALL
A3304 SCALE: 1:25

DATE	NO.	REVISION
2025/01/23	2	ISSUED FOR TENDER
2024/06/23	1	ISSUED FOR ECA APPROVAL

THE DRAWINGS, ARRANGEMENTS, ANNOTATIONS AND GRAPHICAL PRESENTATIONS ON THIS DOCUMENT ARE THE PROPERTY OF EVB ENGINEERING WHO RETAINS OWNERSHIP AND AUTHORITY OF THIS DOCUMENT. IN ITS ENTIRETY THIS DOCUMENT IS AN INSTRUMENT OF SERVICE AND IS THE INTELLECTUAL AND PHYSICAL PROPERTY OF EVB ENGINEERING. AUTHORIZED USE OF THIS DRAWING IS GRANTED SOLELY FOR THE PURPOSE OF THIS SPECIFIC PROJECT AND LOCATION, AND NOT FOR CONSTRUCTION OR USE FOR ANY OTHER PROJECT. COPYRIGHT © 2024 EVB ENGINEERING.



CONSULTANT:
EVB ENGINEERING
 800 SECOND STREET WEST
 CORNWALL, ONTARIO CANADA, K6J 1H6
 TEL: 613-935-3775 | FAX: 613-935-6450
 WEBSITE: EVBengineering.com

SUB-CONSULTANT:
C2 Architecture
 C2 Architecture Inc.
 415 Baseline Road West
 Bowmanville, ON L1C 5M2
 905.697.4464

CLIENT:
Greater Napanee
CREATING FOR MANY REASONS

PROJECT:
NEW NAPANEE WPCP

TITLE:
**OPERATIONS BUILDING
 WALL SECTIONS**

SCALE: 1:25	JOB NO: 22001
DESIGNED BY: LC	DATE: 2025/01/23
DRAWN BY: BB / CH	DRAWING NO.:
CHECKED BY: JB	A3304

WALL SECTION GENERAL NOTES

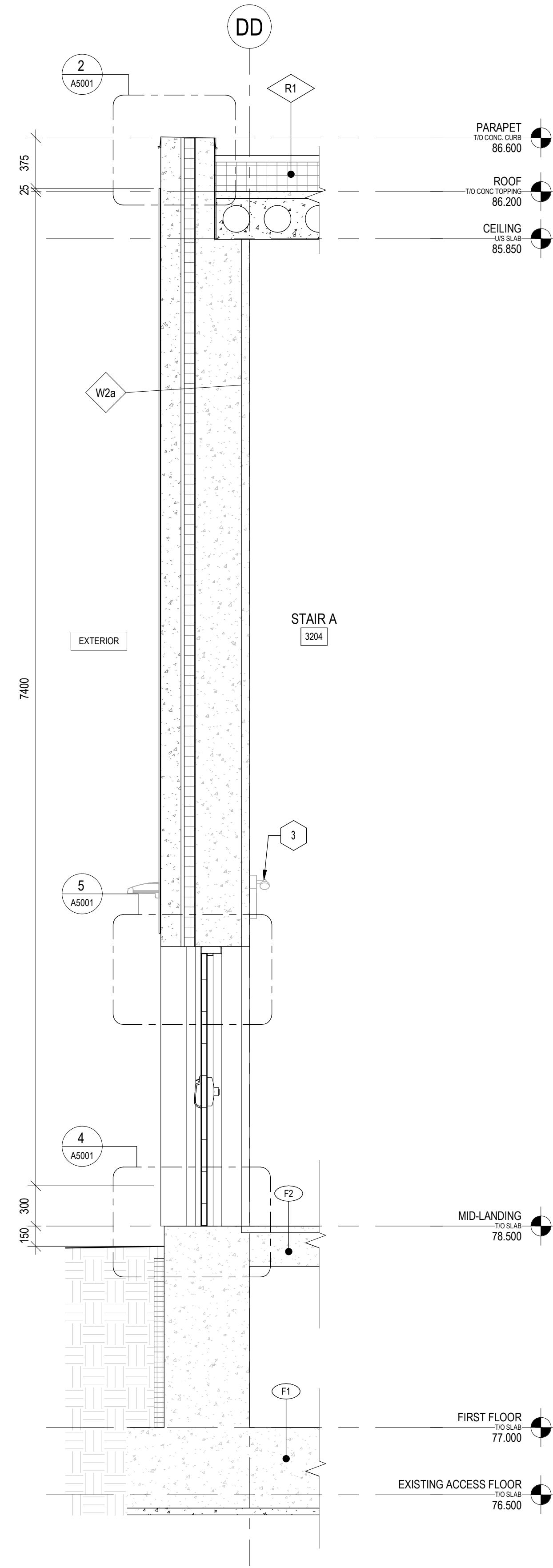
- PLEASE NOTE, NOT ALL SECTION BASED EXTERIOR DETAIL ARE CALLED OUT IN THE WALL SECTIONS. EXTERIOR DETAIL SHEETS ARE LABELED TYP. WHERE THEY ARE TYPICAL, CONTRACTOR TO REVIEW ALL CONTRACT DOCUMENTS TO IDENTIFY QUANTITY AND LOCATION.

WALL SECTION KEYNOTES

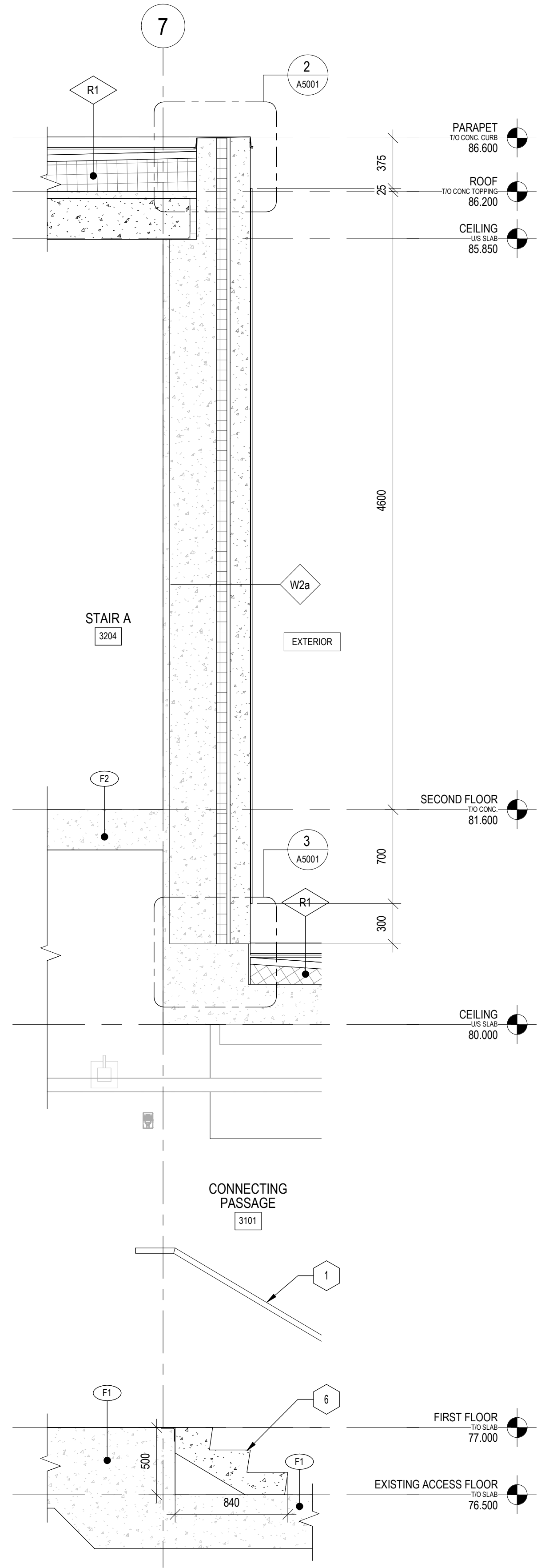
- 1 FIXED GUARDRAIL (REFER TO STRUCTURAL)
- 2 DRAINAGE CHANNEL (REFER TO STRUCTURAL)
- 3 ELECTRICAL EQUIPMENT (REFER TO ELECTRICAL)
- 4 PROCESS EQUIPMENT (REFER TO PROCESS)
- 5 ROOL UP ACCESS DOOR HOOD
- 6 PRE-CAST CONCRETE STAIR (REFER TO STRUCTURAL)
- 7 REMOVABLE GUARDRAIL (REFER TO STRUCTURAL)

DETAIL NOTES:

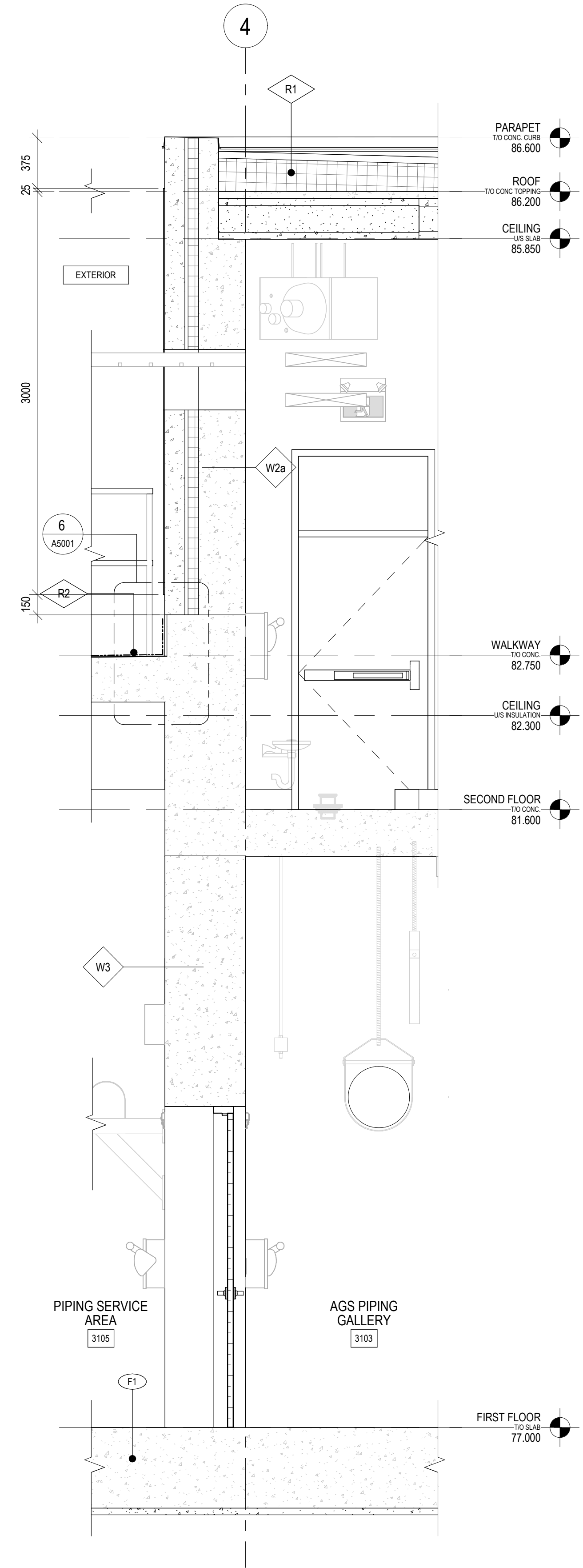
- ALL MISCELLANEOUS METALS AND ANCHORS TO BE GALVANISED IN NON-CLASSIFIED SPACES (REFER TO LIFE SAFETY PLANS FOR LOCATION OF CLASSIFIED SPACES)
- ALL MISCELLANEOUS METALS AND ANCHORS TO BE STAINLESS STEEL IN CLASSIFIED SPACES (REFER TO LIFE SAFETY PLANS FOR LOCATION OF CLASSIFIED SPACES)



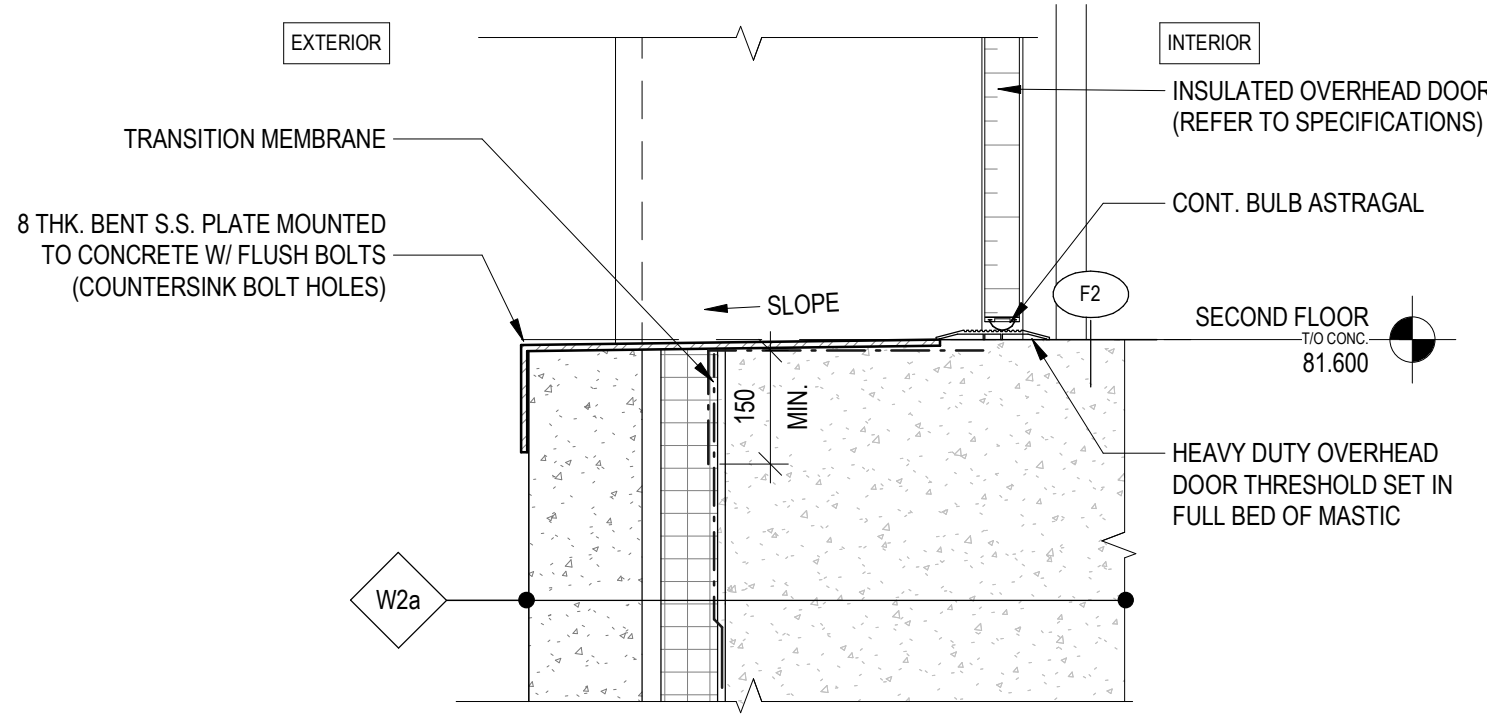
1 STAIRS SOUTH EXT WALL
A3305 SCALE: 1: 25



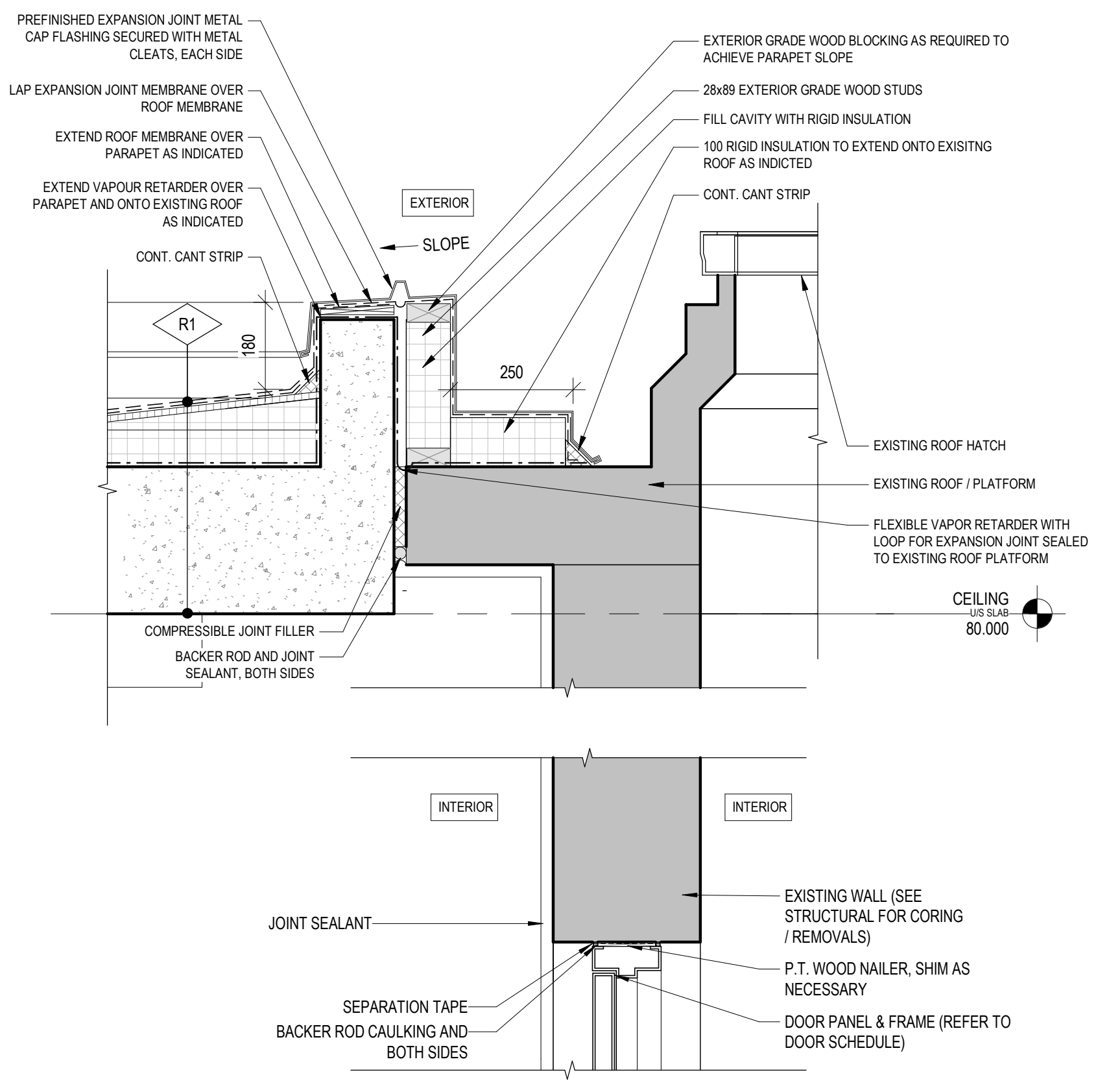
2 CONNECTING PASSAGE EXT WALL
A3305 SCALE: 1: 25



3 WALL SECTION ALONG G/L 4
A3305 SCALE: 1: 25



5 OVERHEAD DOOR THRESHOLD AT EXT. WALL
A3305 SCALE: 1: 10



4 NEW ROOF TO EXISTING ROOF CONNECTION DETAIL
A3305 SCALE: 1: 10

DATE	NO.	REVISION
2025/01/23	2	ISSUED FOR TENDER
2024/06/23	1	ISSUED FOR ECA APPROVAL

THE DRAWINGS, ARRANGEMENTS, ANNOTATIONS AND GRAPHICAL PRESENTATIONS ON THIS DOCUMENT ARE THE PROPERTY OF EYE ENGINEERING WHO RETAINS OWNERSHIP AND AUTHORITY OF THIS DOCUMENT. IN ITS ENTIRETY THIS DOCUMENT IS AN INSTRUMENT OF SERVICE AND IS THE INTELLECTUAL AND PHYSICAL PROPERTY OF EYE ENGINEERING. AUTHORIZED USE OF THIS DRAWING IS GRANTED SOLELY FOR THE PURPOSE OF THIS SPECIFIC PROJECT AND LOCATION, AND NOT FOR CONSTRUCTION OR USE FOR ANY OTHER PROJECT. COPYRIGHT © 2024 EYE ENGINEERING.



CONSULTANT:
EVB ENGINEERING
800 SECOND STREET WEST
CORNWALL, ONTARIO CANADA, K6J 1H6
TEL: 613-935-3775 | FAX: 613-935-6450
WEBSITE: EVBengineering.com

SUB-CONSULTANT:
C2 Architecture
C2 Architecture Inc.
415 Baseline Road West
Bowmanville, ON L1C 5M2
905.697.4464

CLIENT:
Greater Napanee
GREATER FOR SMART BUSINESS

PROJECT:
NEW NAPANEE WPCP

TITLE:
OPERATIONS BUILDING WALL SECTIONS

SCALE:	JOB NO:
As indicated	22001
DESIGNED BY:	DATE:
LC	2025/01/23
DRAWN BY:	DRAWING NO.:
BB / CH	A3305
CHECKED BY:	
JB	

NAME OF PRACTICE: C2 Architecture Inc.
415 Baseline Road West
Bowmanville, ON L1C 5M2

PROJECT NAME: TERTIARY BUILDING

PROJECT ADDRESS: NAPANEE WATER POLLUTION CONTROL PLANT
300 WATER ST W, NAPANEE
ON, K7R 1X3

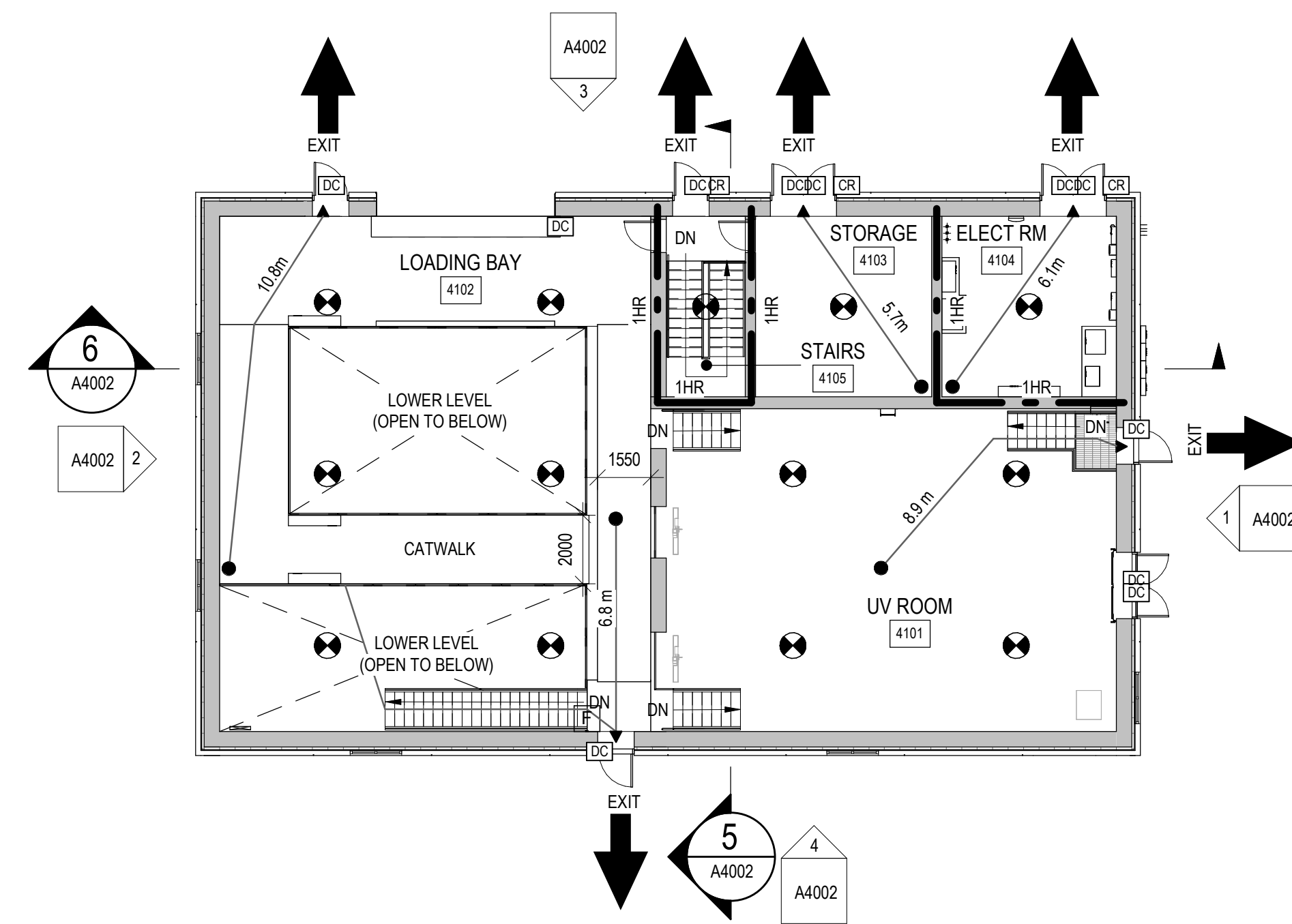
ITEM	ONTARIO BUILDING CODE DATA MATRIX PARTS 3 OR 9				BUILDING CODE REFERENCE		COMMENTS
	PROJECT TYPE:	MAJOR OCCUPANCY(S)	BUILDING AREA (m ²)	GROSS AREA (m ²)	REFERENCES ARE TO DIVISION B UNLESS NOTED (A) FOR DIVISION A OR (C) FOR DIVISION C		
1	PROJECT TYPE: <input checked="" type="checkbox"/> NEW <input type="checkbox"/> ADDITION <input type="checkbox"/> RENOVATION <input type="checkbox"/> PART 11 <input type="checkbox"/> CHANGE OF USE <input type="checkbox"/> ADDITION AND RENOVATION	11.1 TO 11.4			<input checked="" type="checkbox"/> PART 3 <input type="checkbox"/> PART 9	Medium-hazard industrial occupancy means and industrial occupancy in which the combustible content is more than 50 kg/m ² or 1200 MJ/m ² of floor area and not classified as high-hazard industrial occupancy.	
2	MAJOR OCCUPANCY(S): F2 USE: WASTEWATER TREATMENT PLANT	3.1.2.1.(1)	9.10.2	COMBUSTIBLE CONTENT TO BE DETERMINED (SUBJECT TO CALCULATION).			
3	BUILDING AREA (m ²): EXISTING: N/A NEW: 491.5 m ² TOTAL: 491.5 m ²	1.1.2.2.(1)(b)(iv)	1.4.1.2. [A]	Building area means the greatest horizontal area of a building above grade, (a) within the outside surface of exterior walls, or (b) within the outside surface of exterior walls and the centre line of firewalls.			
4	GROSS AREA (m ²): DESCRIPTION EXISTING NEW TOTAL BASEMENT N/A 451 m ² 451 m ² FIRST FLOOR N/A 451 m ² 451 m ² N/A N/A N/A N/A N/A N/A N/A N/A TOTAL N/A m ² 902 m ² 902 m ²	1.1.2.2.(1)(b)(iv)	1.4.1.2. [A]	Gross area means the total area of all floors above grade measured between the outside surface of exterior walls and the centre line of firewalls, except that, in any occupancy other than a residential occupancy, where an access or a building service penetrates a firewall, measurements shall not be taken on the centre line of such firewall. Perforous not included as it is not considered a storey and not used in the calculation for gross area.			
5	BUILDING HEIGHT: STOREYS ABOVE GRADE: 1 STOREYS BELOW GRADE: 1 (m) ABOVE GRADE: 7.35 m	3.2.1.1.	1.4.1.2. [A] & 9.10.4	3.2.1.1: Exceptions in Determining Building Height A rooftop enclosure provided for elevator machinery, a stairway or a service room for no purpose other than for service to a building, shall not be considered as a storey in calculating the building height.			
6	NUMBER OF STREETS/FIRE FIGHTER ACCESS: 1	3.2.2.10. & 3.2.5	9.10.20.				
7	BUILDING CLASSIFICATION: MEDIUM HAZARD INDUSTRIAL GROUP/DIV: GROUP F / DIVISION 2	3.2.2.71	9.10.2.				
8	SPRINKLER SYSTEM: <input type="checkbox"/> REQUIRED <input checked="" type="checkbox"/> NOT REQUIRED	3.2.2.20.-83	1.1.2 [A]	Sprinkler system not required due to applied building classification.			
9	PROPOSED: <input type="checkbox"/> ENTIRE BUILDING <input type="checkbox"/> SELECTED FLOOR AREAS <input type="checkbox"/> IN LIEU OF ROOF RATING <input type="checkbox"/> SELECTED COMPARTMENTS <input type="checkbox"/> BASEMENT <input checked="" type="checkbox"/> NOT REQUIRED	3.2.2.17. INDEX		3.2.9.1: When Standpipes are Required A building requires a standpipe system if it is more than 3 storeys tall, or 14m tall measured between grade and the ceiling of the top storey with building area exceeding area in table 3.2.5.8			
9	STANDPIPE SYSTEM: <input type="checkbox"/> REQUIRED <input checked="" type="checkbox"/> NOT REQUIRED	3.2.9.	N/A	3.2.4.1: Determination of Requirement for a Fire Alarm System A fire alarm system shall be installed in a building that contains: (c) more than 3 storeys, including storeys below the first storey.			
10	FIRE ALARM SYSTEM: <input type="checkbox"/> REQUIRED <input checked="" type="checkbox"/> NOT REQUIRED	3.2.4.	9.10.18				
11	WATER SERVICE/SUPPLY IS ADEQUATE: <input checked="" type="checkbox"/> YES <input type="checkbox"/> NO	3.2.6.7.	N/A				
12	HIGH BUILDING: <input checked="" type="checkbox"/> YES <input type="checkbox"/> NO	3.2.6.	N/A	3.2.6: Additional Requirements for High Buildings Based on the criteria set out by the CBC, this building is not a high building since the distance between grade and the top storey is less than 36m			
13	CONSTRUCTION RESTRICTIONS: <input checked="" type="checkbox"/> COMBUSTIBLE PERMITTED <input type="checkbox"/> NON-COMBUSTIBLE REQUIRED <input type="checkbox"/> BOTH ACTUAL CONSTRUCTION: <input type="checkbox"/> COMBUSTIBLE <input checked="" type="checkbox"/> NON-COMBUSTIBLE <input type="checkbox"/> BOTH	3.2.2.20.-83. & 3.2.1.4.	9.10.6.	Based on the applied building classification.			
14	MEZZANINE(S) AREA (m ²): EXISTING: N/A NEW: N/A TOTAL: N/A	3.2.1.1.(3)(8)	9.10.4.1.	Mezzanine means an intermediate floor assembly between the floor and the ceiling of any room or storey and includes interior balcony.			
15	SEISMIC HAZARD INDEX: (te Fa Sa (0.2))= 0.459 Seismic design required for Table 4.1.8.18 items 6 to 21: <input checked="" type="checkbox"/> YES <input type="checkbox"/> NO	4.1.2.1.(3) & 4.1.8.18.(2)					
16	OCCUPANT LOAD: BASED ON <input type="checkbox"/> m ² / PERSON <input checked="" type="checkbox"/> DESIGN OF BUILDING BASEMENT: OCCUPANCY F2 LOAD 2 PERSONS 1ST FLOOR: OCCUPANCY F2 LOAD 2 PERSONS 2ND FLOOR: OCCUPANCY N/A LOAD N/A PERSONS 3RD FLOOR: OCCUPANCY N/A LOAD N/A PERSONS 4TH FLOOR: OCCUPANCY N/A LOAD N/A PERSONS	3.1.17.	9.9.1.3.	3.1.17.1: Occupant Load Determination (1) The occupant load of a floor area or part of a floor area, or of a building or part of a building not having a floor area, shall be based on: (c) the number of persons, (i) for which the area is designed, or			
17	BARRIER-FREE DESIGN: <input type="checkbox"/> YES <input checked="" type="checkbox"/> NO (EXPLAIN) NOT OCCUPIED DAILY	3.8.	9.5.2.	3.8.1.1: Barrier-Free Design Application: (1) The requirements of this Section apply to all buildings except: (c) buildings that are not intended to be occupied on a daily or full time basis, including automatic telephone exchanges, pumphouses, and substations, and			
18	HAZARDOUS SUBSTANCES: <input type="checkbox"/> YES <input checked="" type="checkbox"/> NO	3.3.1.2. & 3.3.1.19	9.10.1.3.(4)	Hazardous room means a room containing sufficient quantities of a substance that, because of its chemical nature, may create an atmosphere or condition of imminent hazard to health.			
19	REQUIRED FIRE RESISTANCE RATING (FRR): HORIZONTAL ASSEMBLIES FRR (HOURS) SUPPORTING ASSEMBLY (HOURS) NON-COMBUSTIBLE IN LIEU OF RATING? FLOORS OVER BASEMENT: N/A N/A <input type="checkbox"/> YES <input checked="" type="checkbox"/> NO <input checked="" type="checkbox"/> N/A FLOORS: 0.75 <input type="checkbox"/> YES <input checked="" type="checkbox"/> NO <input type="checkbox"/> N/A ROOF: N/A N/A <input type="checkbox"/> YES <input type="checkbox"/> NO <input checked="" type="checkbox"/> N/A MEZZANINE: N/A N/A <input type="checkbox"/> YES <input type="checkbox"/> NO <input checked="" type="checkbox"/> N/A	3.2.2.20.-83 & 3.2.1.4.	9.10.8. 9.10.8.	SPECIFIC ROOMS CODE REFERENCE FRR (HOURS) ELECTRICAL ROOM 3.6.2.1.(6) 1 HR STAIRS 3.4.4.1. 1 HR			
20	SPATIAL SEPARATION - CONSTRUCTION OF EXTERIOR WALLS *REFER TO SECTION 6.1 OF THE CODE REPORT	3.2.3.	9.10.14.	3.2.2.3: Exceptions to Structural Fire Protection (g) loadbearing steel or concrete members wholly or partly outside a building face in a building not more than 4 storeys in building height and classified as Group A, S, C, D or F, Division 3 major occupancy provided the members are: (i) not less than 1m away from any unprotected opening in an exterior wall, or (ii) shielded from heat radiation in the event of a fire within the building by construction that will provide the same degree of protection that would be necessary if a member was located inside the building, with the protection extending on either side of the member a distance equal to the projection of the member from the face of the wall. Thus, exterior columns are not fire protected. Interior concrete columns are fire protected by their inherent fire resistance properties.			
21	PLUMBING FIXTURE REQUIREMENTS	3.7.4.		3.7.4.1: Plumbing and Drainage Systems (3) Plumbing fixtures need not be provided in a building that is not normally occupied by persons where such installations are impractical and other fixtures are available in nearby building when the subject building is in use.			
22	ENERGY EFFICIENCY: COMPLIANCE PATH: EXEMPT PER SB-10 [DIV. 3, CH. 1, S. 1.2.1.1.(c) & (e)] CLIMATIC ZONE: 6						
22	NOTES: -						

LIFE SAFETY PLAN GENERAL NOTES

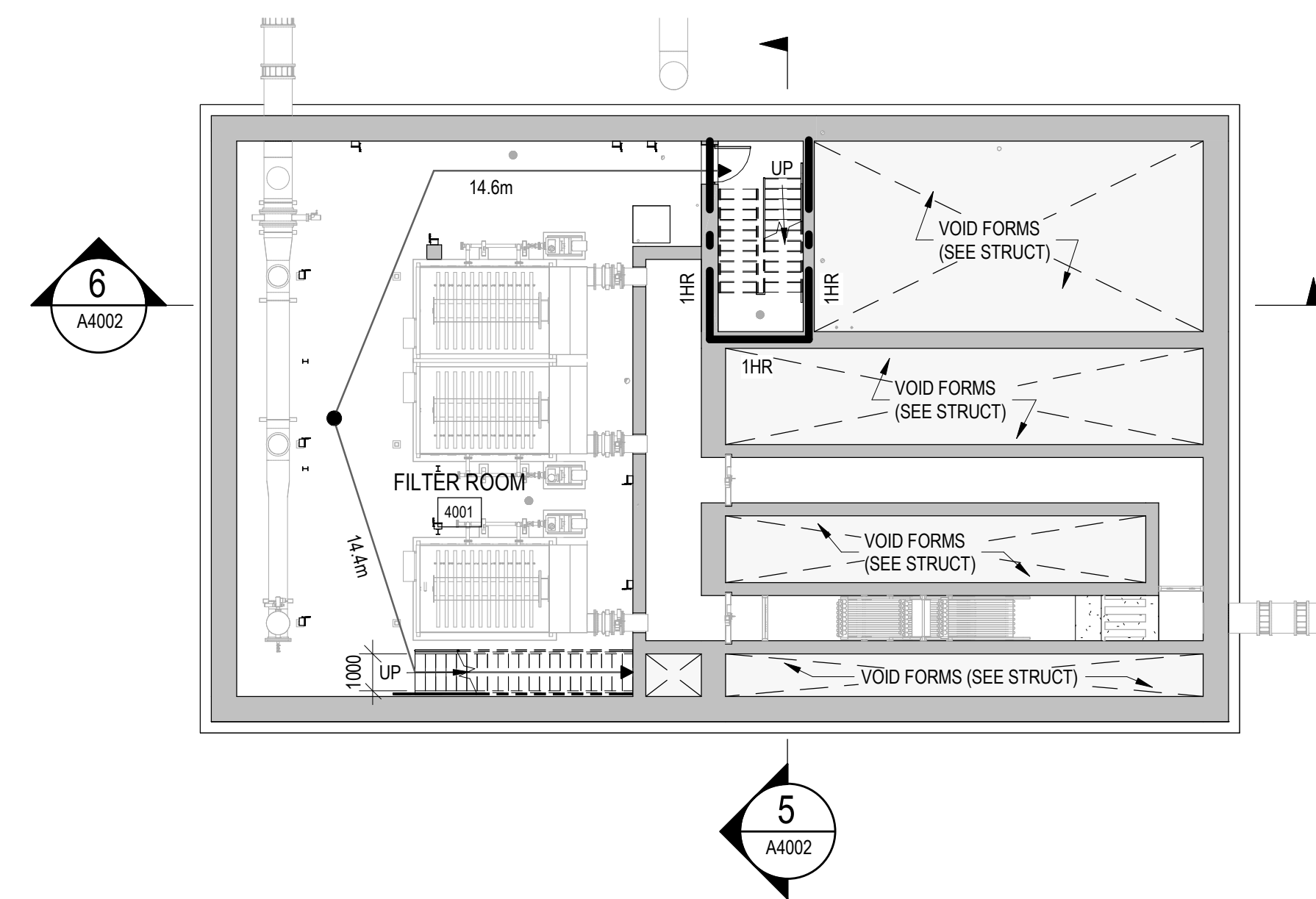
- STORAGE ROOM NOT INTENDED TO CONTAIN STORAGE OF MATERIAL GOODS.
- REFER TO MECHANICAL DRAWINGS FOR FIRE EXTINGUISHER LOCATIONS.
- SMOKE / HEAT DETECTORS SHOWN FOR REFERENCE ONLY. REFER TO ELECTRICAL DRAWINGS FOR ALL ELECTRICAL FIRE SAFETY EQUIPMENT (INCLUDING BUT NOT LIMITED TO DETECTORS, EMERGENCY LIGHTING, AND EXIT SIGNS).

LIFE SAFETY & FIRE LEGEND

- 0.75HR 45 MINUTE FIRE RESISTANCE RATING
- 1HR 1 HOUR FIRE RESISTANCE RATING
- 2HR 2 HOUR FIRE RESISTANCE RATING
- 5.2m TRAVEL DISTANCE
- EXIT AT GRADE
- SMOKE / HEAT DETECTOR
- AREA OF EXPOSED BUILDING FACE
- 5.2m² UNPROTECTED OPENING
- EARTH



1 GROUND FLOOR LIFE SAFETY PLAN
A4001 SCALE: 1:150



2 BASEMENT LIFE SAFETY PLAN
A4001 SCALE: 1:150

DATE	NO.	REVISION
2025/01/23	2	ISSUED FOR TENDER
2024/06/23	1	ISSUED FOR ECA APPROVAL

THE DRAWINGS, ARRANGEMENTS, ANNOTATIONS AND GRAPHICAL PRESENTATIONS ON THIS DOCUMENT ARE THE PROPERTY OF EVB ENGINEERING WHO RETAINS OWNERSHIP AND AUTHORITY OF THIS DOCUMENT. IN ITS ENTIRETY THIS DOCUMENT IS AN INSTRUMENT OF SERVICE AND IS THE INTELLECTUAL AND PHYSICAL PROPERTY OF EVB ENGINEERING. AUTHORIZED USE OF THIS DRAWING IS GRANTED SOLELY FOR THE PURPOSE OF THIS SPECIFIC PROJECT AND LOCATION, AND NOT FOR CONSTRUCTION OR USE FOR ANY OTHER PROJECT. COPYRIGHT © 2024 EVB ENGINEERING.

ONTARIO ASSOCIATION OF ARCHITECTS
GUYL COULP LICENSE 4513

PROJECT NORTH

T.N. = TRUE NORTH

CONSULTANT:

EVB ENGINEERING

800 SECOND STREET WEST
CORNWALL, ONTARIO CANADA, K6J 1H6
TEL: 613-935-3775 | FAX: 613-935-6450
WEBSITE: EVBengineering.com

SUB-CONSULTANT:

C2 Architecture
C2 Architecture Inc.
415 Baseline Road West
Bowmanville, ON L1C 5M2
☎ 905.697.4464

CLIENT:

Greater Napanee
GRANDS FOR MANY BUILDINGS

PROJECT:

NEW NAPANEE WPCP

TITLE:

**TERTIARY / UV BUILDING
LIFE SAFETY PLAN**

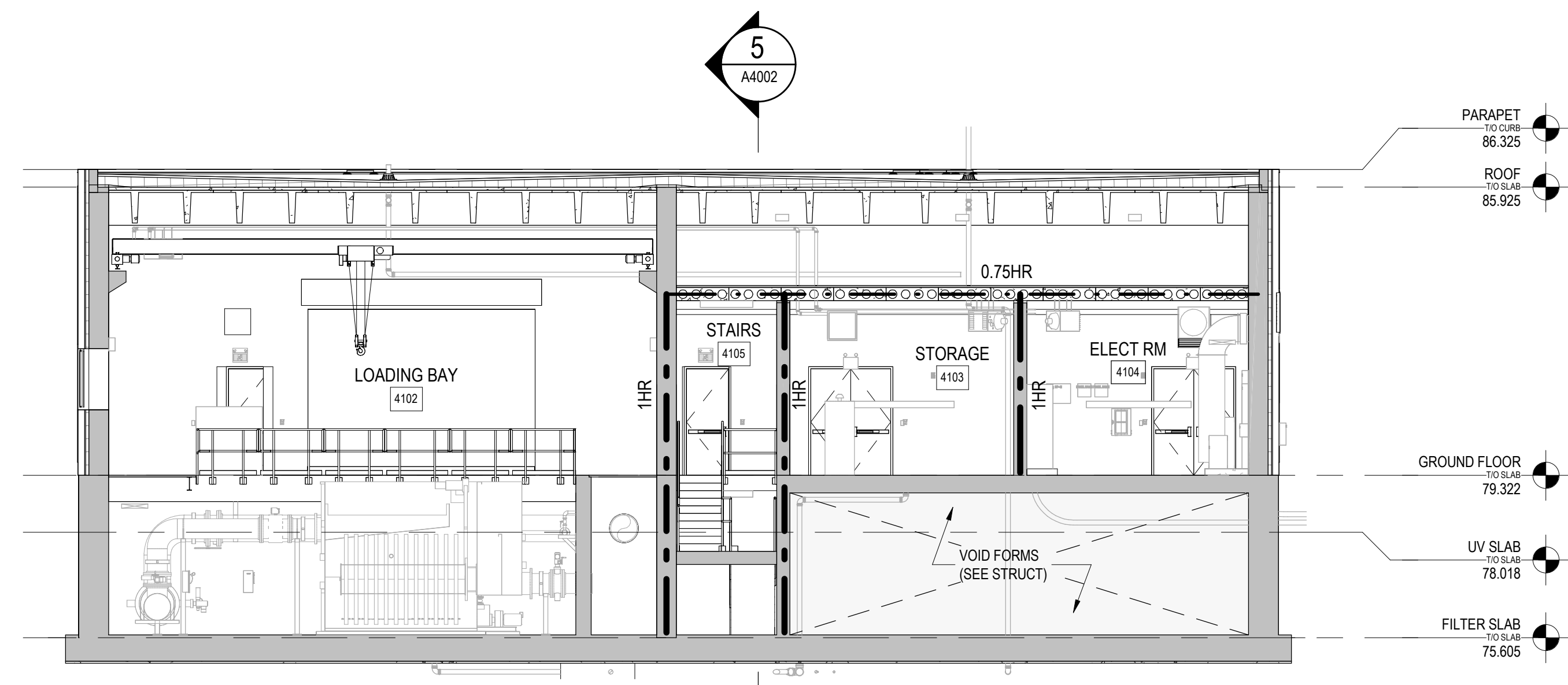
SCALE:	JOB NO:
As indicated	22001
DESIGNED BY:	DATE:
LC	2025/01/23
DRAWN BY:	DRAWING NO.:
BB / CH	A4001
CHECKED BY:	
JB	

LIFE SAFETY PLAN GENERAL NOTES

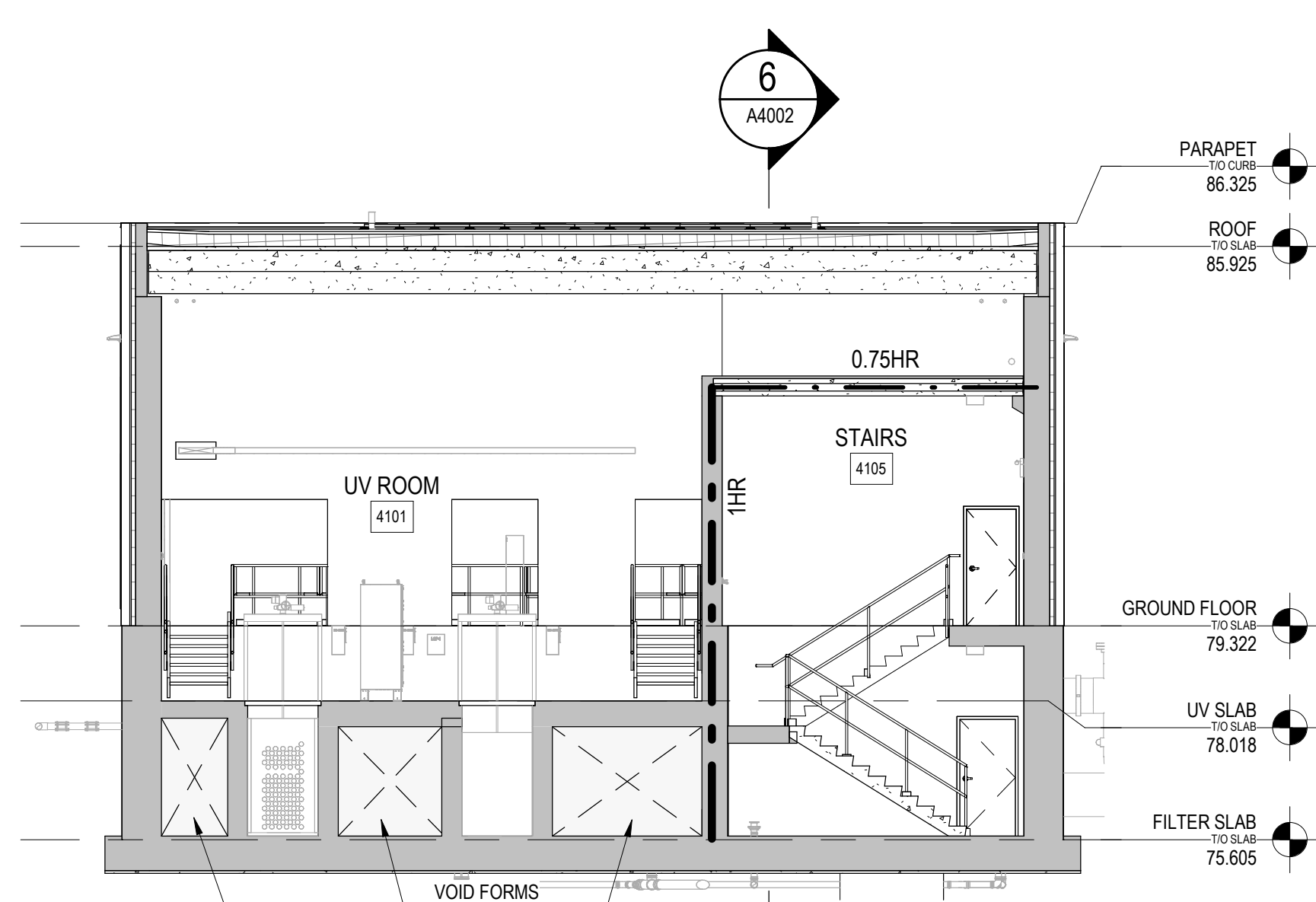
1. STORAGE ROOM NOT INTENDED TO CONTAIN STORAGE OF MATERIAL GOODS.
2. REFER TO MECHANICAL DRAWINGS FOR FIRE EXTINGUISHER LOCATIONS.
3. SMOKE / HEAT DETECTORS SHOWN FOR REFERENCE ONLY. REFER TO ELECTRICAL DRAWINGS FOR ALL ELECTRICAL FIRE SAFETY EQUIPMENT (INCLUDING BUT NOT LIMITED TO DETECTORS, EMERGENCY LIGHTING, AND EXIT SIGNS).

LIFE SAFETY & FIRE LEGEND

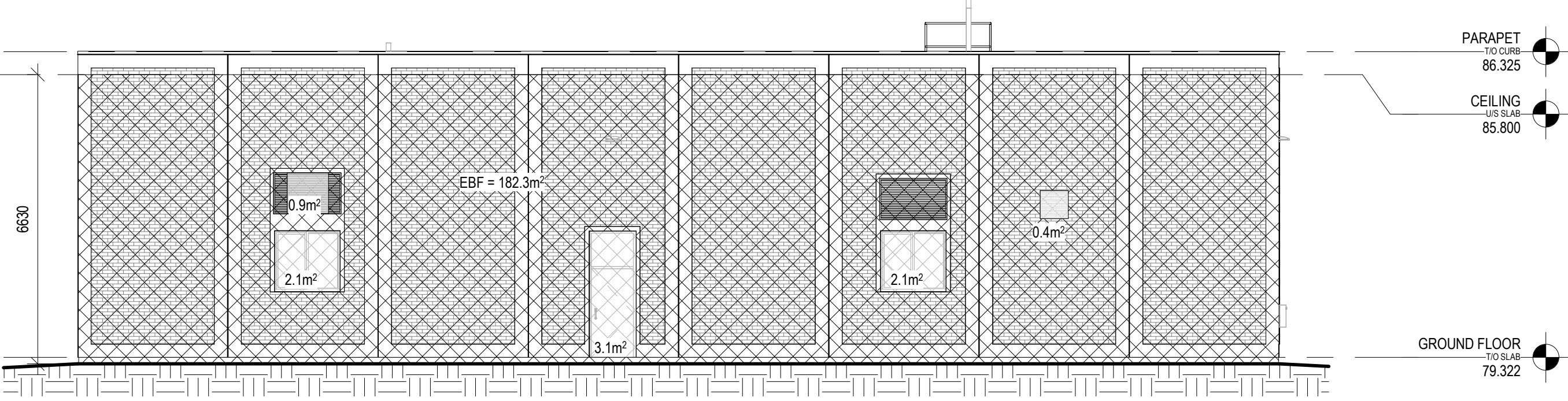
- 0.75HR 45 MINUTE FIRE RESISTANCE RATING
- 1HR 1 HOUR FIRE RESISTANCE RATING
- 2HR 2 HOUR FIRE RESISTANCE RATING
- 5.2m TRAVEL DISTANCE
- EXIT EXIT AT GRADE
- SMOKE / HEAT DETECTOR
- AREA OF EXPOSED BUILDING FACE
- UNPROTECTED OPENING
- EARTH



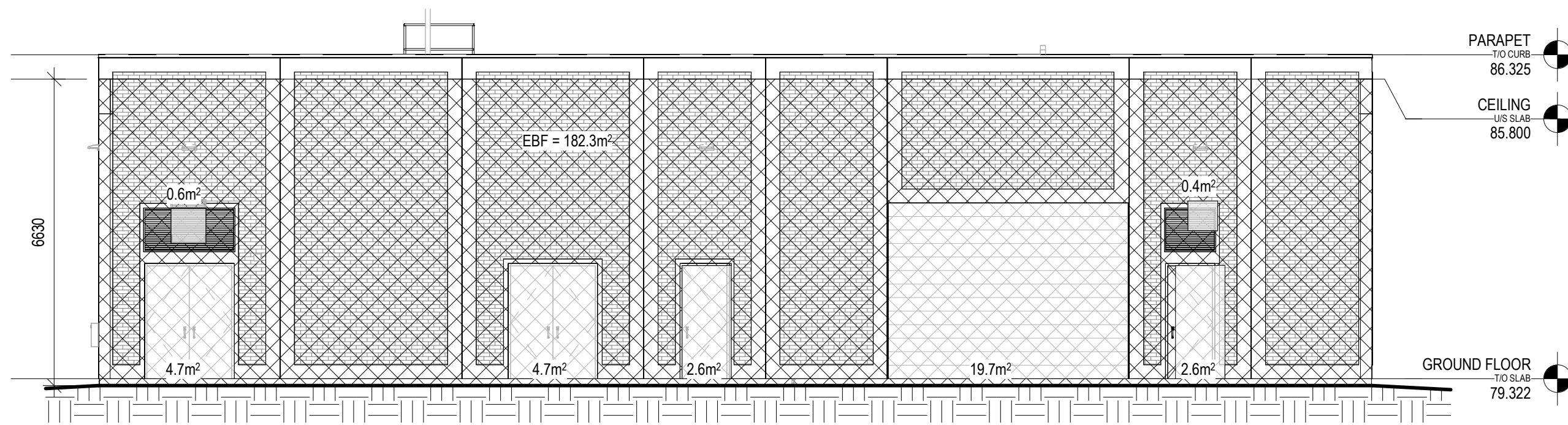
6 N/S BUILDING SECTIONS - LIFE SAFETY
A4002 SCALE: 1:100



5 E/W BUILDING SECTION - LIFE SAFETY
A4002 SCALE: 1:100



4 EXPOSED BUILDING FACE - SOUTH
A4002 SCALE: 1:100



3 EXPOSED BUILDING FACE - NORTH
A4002 SCALE: 1:100



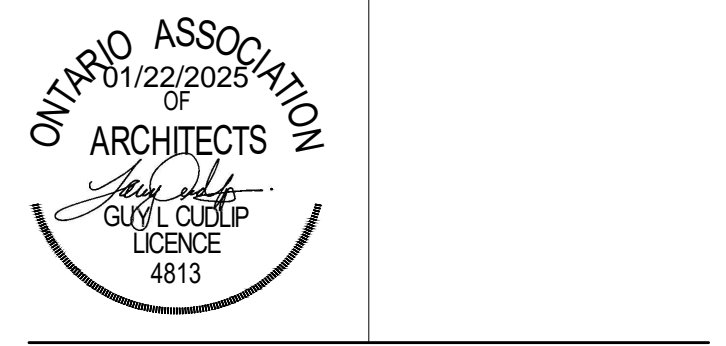
2 EXPOSED BUILDING FACE - WEST
A4002 SCALE: 1:100



1 EXPOSED BUILDING FACE - EAST
A4002 SCALE: 1:100

DATE	NO.	REVISION
2025/01/23	2	ISSUED FOR TENDER
2024/06/23	1	ISSUED FOR ECA APPROVAL

THE DRAWINGS, ARRANGEMENTS, ANNOTATIONS AND GRAPHICAL PRESENTATIONS ON THIS DOCUMENT ARE THE PROPERTY OF EVB ENGINEERING WHO RETAINS OWNERSHIP AND AUTHORITY OF THIS DOCUMENT. IN ITS ENTIRETY THIS DOCUMENT IS AN INSTRUMENT OF SERVICE AND IS THE INTELLECTUAL AND PHYSICAL PROPERTY OF EVB ENGINEERING. AUTHORIZED USE OF THIS DRAWING IS GRANTED SOLELY FOR THE PURPOSE OF THIS SPECIFIC PROJECT AND LOCATION, AND NOT FOR CONSTRUCTION OR USE FOR ANY OTHER PROJECT. COPYRIGHT © 2024 EVB ENGINEERING.



CONSULTANT:
EVB ENGINEERING
 800 SECOND STREET WEST
 CORNWALL, ONTARIO CANADA, K6J 1H6
 TEL: 613-935-3775 | FAX: 613-935-6450
 WEBSITE: EVBengineering.com

SUB-CONSULTANT:
C2 Architecture
 C2 Architecture Inc.
 415 Baseline Road West
 Bowmanville, ON L1C 5M2
 905.697.4464

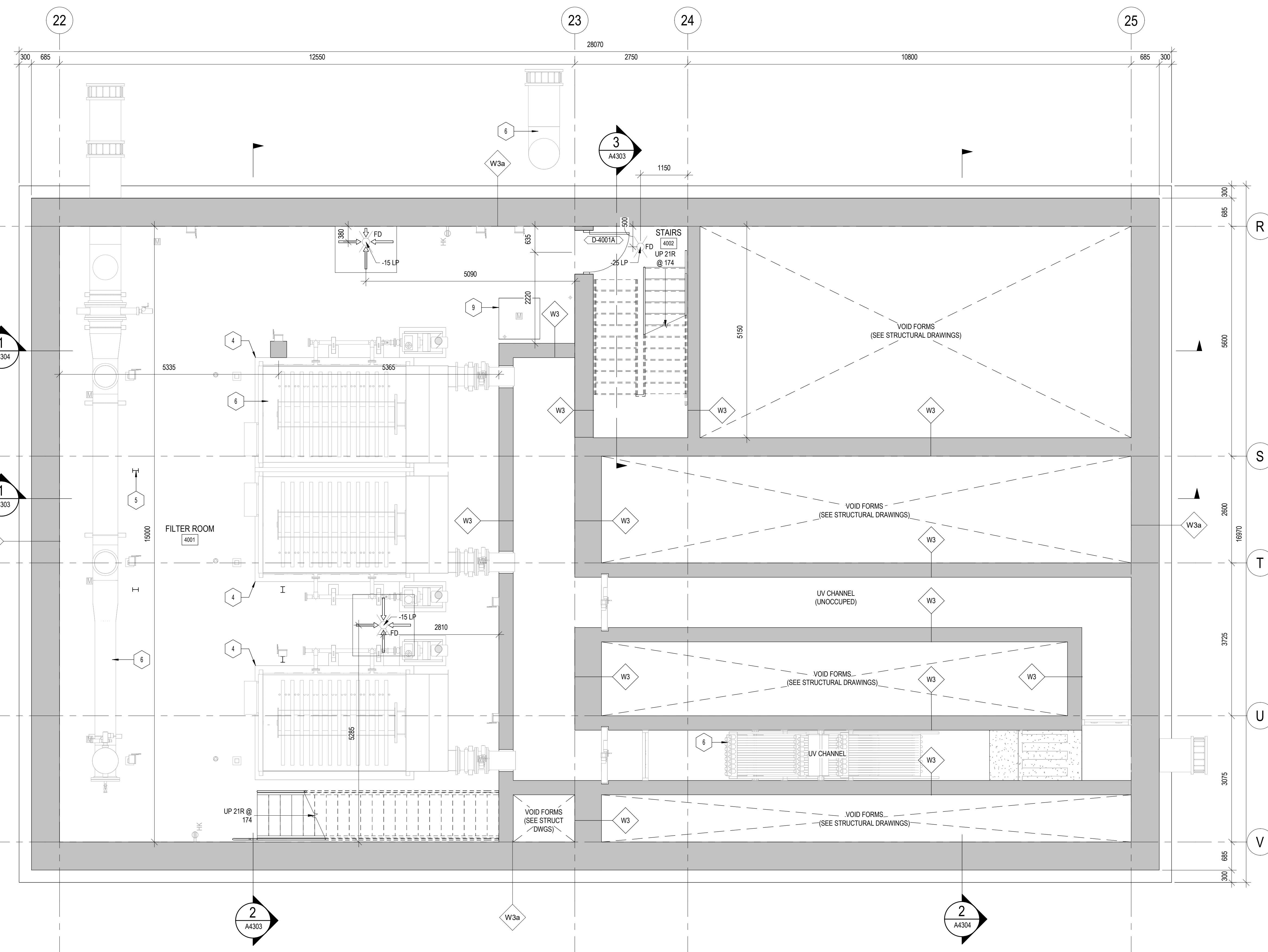
CLIENT:
Greater Napanee
 GREATER FOR SMART BUILDINGS

PROJECT:
NEW NAPANEE WPCP

TITLE:
TERTIARY / UV BUILDING LIFE SAFETY SECTIONS & EXPOSED BUILDING FACES

SCALE: As indicated	JOB NO: 22001
DESIGNED BY: LC	DATE: 2025/01/23
DRAWN BY: BB / CH	DRAWING NO.:
CHECKED BY: JB	A4002

2025-01-21 1:49:55 PM Autodesk Docs://22001 - Napanee New WPCP/A24 - Napanee WPCP_Tertiary Building.rvt



- ### PLAN GENERAL NOTES
- REFER TO ELECTRICAL DRAWINGS/SPECIFICATIONS FOR ALL QUANTITIES/LOCATIONS OF ELECTRICAL RECEPTACLES.
 - REFER TO MECHANICAL DRAWINGS/SPECIFICATIONS FOR ALL QUANTITIES/LOCATIONS OF MECHANICAL RECEPTACLES.
 - REFER TO INTERIOR ELEVATIONS FOR ALL MILLWORK SCOPE/DETAILS.
 - UNLESS OTHERWISE INDICATED, LIGHTING TO BE CENTERED BETWEEN INTERIOR PARTITIONS OF BOUNDING ROOM.
 - ALL BULKHEAD WIDTHS SUBJECT TO SITE CONFIRMATION.
 - WHERE NO WALL FINISH HAS BEEN NOTED ON THE ELEVATIONS, THE WALL FINISH SHALL BE PAINT.
 - REFER TO ROOM FINISH SCHEDULE FOR FLOOR FINISHES
 - PLEASE NOTE, NOT ALL PLAN BASED EXTERIOR DETAILS ARE CALLED OUT IN THE PLANS. EXTERIOR DETAILS ARE LABELED TYP, WHERE THEY ARE TYPICAL CONTRACTOR TO REVIEW ALL CONTRACT DOCUMENTS TO IDENTIFY QUANTITY AND LOCATION.
 - COORDINATE WITH MECHANICAL CONTRACTOR FOR LOCATION AND QUANTITY FOR LOCATION AND QUANTITY OF PLUMBING VENT. REFER TO VENT PENETRATION DETAIL 6 / A5002

- ### PLAN SYMBOLS LEGEND
- FLOOR DRAIN (REFER TO MECHANICAL)
 - FIBRE REINFORCED PLASTIC FLOORING (FRP) (REFER TO STRUCTURAL)
 - FLOOR GRATING (REFER TO STRUCTURAL)

- ### PLAN KEYNOTES
- REMOVABLE FRP PANELS (REFER TO STRUCTURAL)
 - SERVICE TROUGH (REFER TO STRUCTURAL)
 - CATWALK (REFER TO STRUCTURAL)
 - RAISED CONCRETE PAD FOR EQUIPMENT (REFER TO STRUCTURAL)
 - ALUMINUM POSTS (REFER TO STRUCTURAL)
 - PROCESS EQUIPMENT (REFER TO PROCESS)
 - ELECTRICAL EQUIPMENT (REFER TO ELECTRICAL)
 - TRENCH DRAIN (REFER TO STRUCTURAL & MECHANICAL)
 - SANITARY PIT (REFER TO STRUCTURAL)

2025/01/23	2	ISSUED FOR TENDER
2024/06/23	1	ISSUED FOR ECA APPROVAL
DATE	NO.	REVISION

THE DRAWINGS, ARRANGEMENTS, ANNOTATIONS AND GRAPHICAL PRESENTATIONS ON THIS DOCUMENT ARE THE PROPERTY OF EVB ENGINEERING WHO RETAINS OWNERSHIP AND AUTHORITY OF THIS DOCUMENT. IN ITS ENTIRETY THIS DOCUMENT IS AN INSTRUMENT OF SERVICE AND IS THE INTELLECTUAL AND PHYSICAL PROPERTY OF EVB ENGINEERING. AUTHORIZED USE OF THIS DRAWING IS GRANTED SOLELY FOR THE PURPOSE OF THIS SPECIFIC PROJECT AND LOCATION, AND NOT FOR CONSTRUCTION OR USE FOR ANY OTHER PROJECT. COPYRIGHT © 2024 EVB ENGINEERING.

ONTARIO ASSOCIATION OF ARCHITECTS
GUYL COULP
LICENCE 4813

PROJECT NORTH
T.N. = TRUE NORTH

CONSULTANT:

EVB
ENGINEERING

800 SECOND STREET WEST
CORNWALL, ONTARIO CANADA, K6J 1H6
TEL: 613-935-3775 | FAX: 613-935-6450
WEBSITE: EVBengineering.com

SUB-CONSULTANT:

C2 Architecture
C2 Architecture Inc.
415 Baseline Road West
Bowmanville, ON L1C 5M2
905.697.4464

CLIENT:

Greater Napanee
GRANDER FOR MANY REASONS

PROJECT:

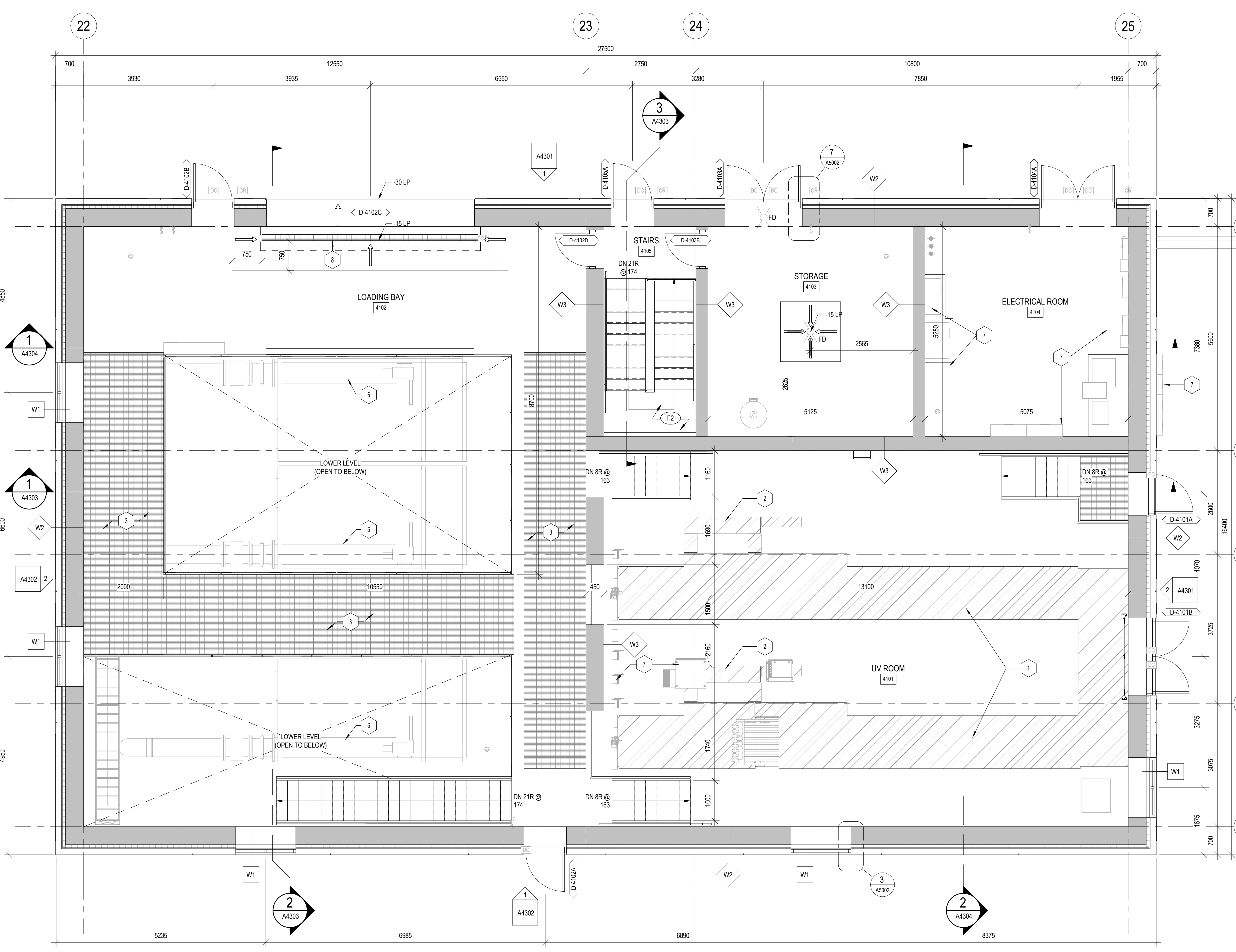
NEW NAPANEE WPCP

TITLE:

**TERTIARY / UV BUILDING
BASEMENT FLOOR PLAN**

SCALE: 1 : 50	JOB NO: 22001
DESIGNED BY: LC	DATE: 2025/01/23
DRAWN BY: BB / CH	DRAWING NO.:
CHECKED BY: JB	A4101

2025-01-22 1:49:56 PM Autodesk Docs://22001 - Napanee New WPCF/A24 - Napanee WPCF_Tertiary Building.rvt



- ### PLAN GENERAL NOTES
- REFER TO ELECTRICAL DRAWINGS/SPECIFICATIONS FOR ALL QUANTITIES/LOCATIONS OF ELECTRICAL RECEPTACLES.
 - REFER TO MECHANICAL DRAWINGS/SPECIFICATIONS FOR ALL QUANTITIES/LOCATIONS OF MECHANICAL RECEPTACLES.
 - REFER TO INTERIOR ELEVATIONS FOR ALL MILLWORK SCOPE/DETAILS.
 - UNLESS OTHERWISE INDICATED, LIGHTING TO BE CENTERED BETWEEN INTERIOR PARTITIONS OF BOUNDING ROOM.
 - ALL BULKHEAD WIDTHS SUBJECT TO SITE CONFIRMATION.
 - WHERE NO WALL FINISH HAS BEEN NOTED ON THE ELEVATIONS, THE WALL FINISH SHALL BE PAINT.
 - REFER TO ROOM FINISH SCHEDULE FOR FLOOR FINISHES
 - PLEASE NOTE, NOT ALL PLAN BASED EXTERIOR DETAILS ARE CALLED OUT IN THE PLANS. EXTERIOR DETAILS ARE LABELED TYP. WHERE THEY ARE TYPICAL CONTRACTOR TO REVIEW ALL CONTRACT DOCUMENTS TO IDENTIFY QUANTITY AND LOCATION.
 - COORDINATE WITH MECHANICAL CONTRACTOR FOR LOCATION AND QUANTITY FOR LOCATION AND QUANTITY OF PLUMBING VENT. REFER TO VENT PENETRATION DETAIL 6 / A5002

- ### PLAN SYMBOLS LEGEND
- FLOOR DRAIN (REFER TO MECHANICAL)
 - FIBRE REINFORCED PLASTIC FLOORING (FRP) (REFER TO STRUCTURAL)
 - FLOOR GRATING (REFER TO STRUCTURAL)

- ### PLAN KEYNOTES
- REMOVABLE FRP PANELS (REFER TO STRUCTURAL)
 - SERVICE TROUGH (REFER TO STRUCTURAL)
 - CATWALK (REFER TO STRUCTURAL)
 - RAISED CONCRETE PAD FOR EQUIPMENT (REFER TO STRUCTURAL)
 - ALUMINUM POSTS (REFER TO STRUCTURAL)
 - PROCESS EQUIPMENT (REFER TO PROCESS)
 - ELECTRICAL EQUIPMENT (REFER TO ELECTRICAL)
 - TRENCH DRAIN (REFER TO STRUCTURAL & MECHANICAL)
 - SANITARY PIT (REFER TO STRUCTURAL)

2025/01/23	2	ISSUED FOR TENDER
2024/06/23	1	ISSUED FOR ECA APPROVAL
DATE	NO.	REVISION

THE DRAWINGS, ARRANGEMENTS, ANNOTATIONS AND GRAPHICAL PRESENTATIONS ON THIS DOCUMENT ARE THE PROPERTY OF EVB ENGINEERING WHO RETAINS OWNERSHIP AND AUTHORITY OF THIS DOCUMENT. IN ITS ENTIRETY THIS DOCUMENT IS AN INSTRUMENT OF SERVICE AND IS THE INTELLECTUAL AND PHYSICAL PROPERTY OF EVB ENGINEERING. AUTHORIZED USE OF THIS DRAWING IS GRANTED SOLELY FOR THE PURPOSE OF THIS SPECIFIC PROJECT AND LOCATION, AND NOT FOR CONSTRUCTION OR USE FOR ANY OTHER PROJECT. COPYRIGHT © 2024 EVB ENGINEERING.

ONTARIO ASSOCIATION OF ARCHITECTS
GUYL CULPIN
LICENSE
4813

PROJECT NORTH

T.N. = TRUE NORTH

CONSULTANT:

800 SECOND STREET WEST
CORNWALL, ONTARIO CANADA, K6J 1H6
TEL: 613-935-3775 | FAX: 613-935-6450
WEBSITE: EVBengineering.com

SUB-CONSULTANT:

C2 Architecture Inc.
415 Baseline Road West
Bowmanville, ON L1C 5M2
☎ 905.697.4464

CLIENT:

Greater Napanee
GRANDER FOR BARRIERS

PROJECT:

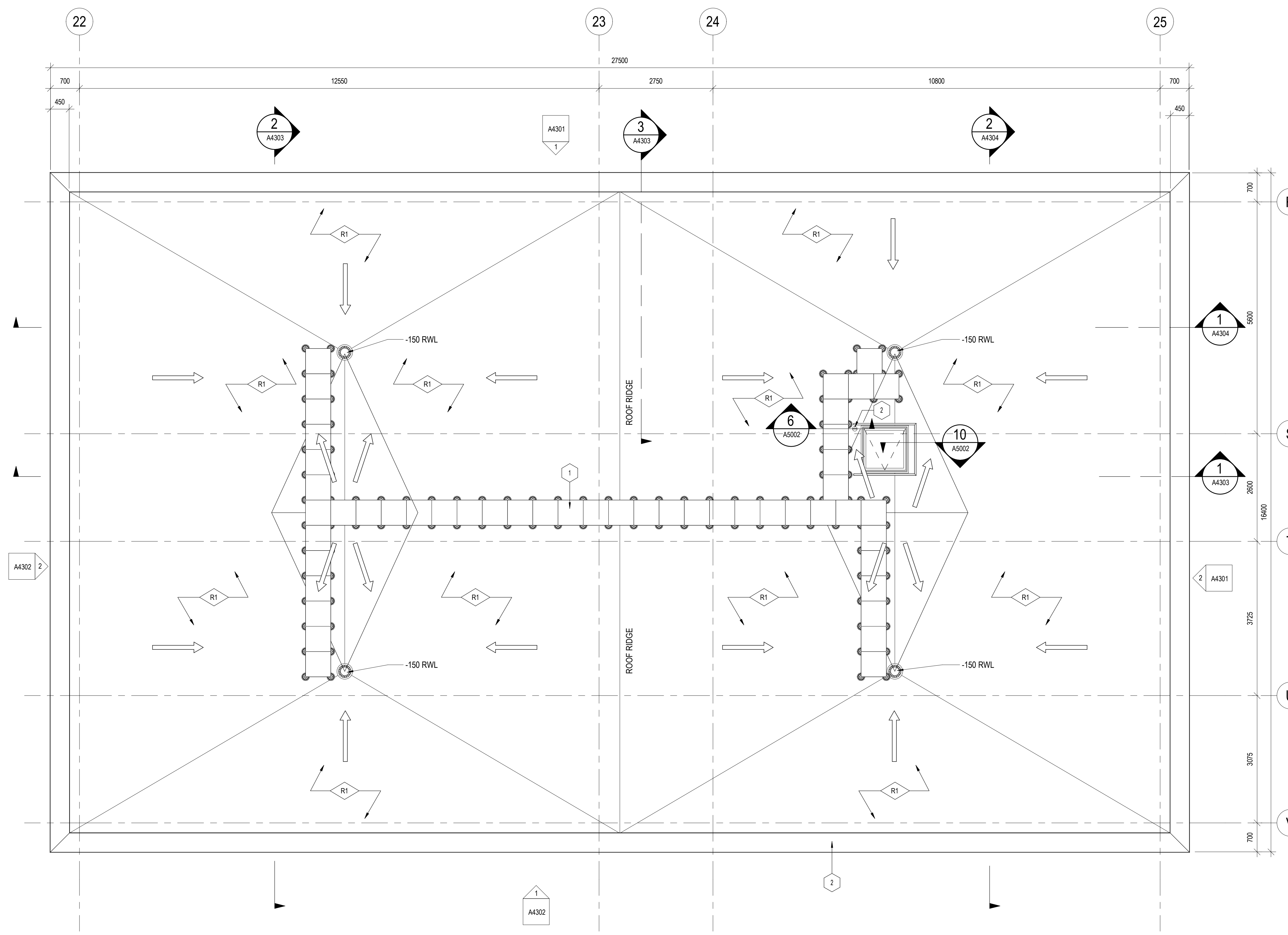
NEW NAPANEE WPCF

TITLE:

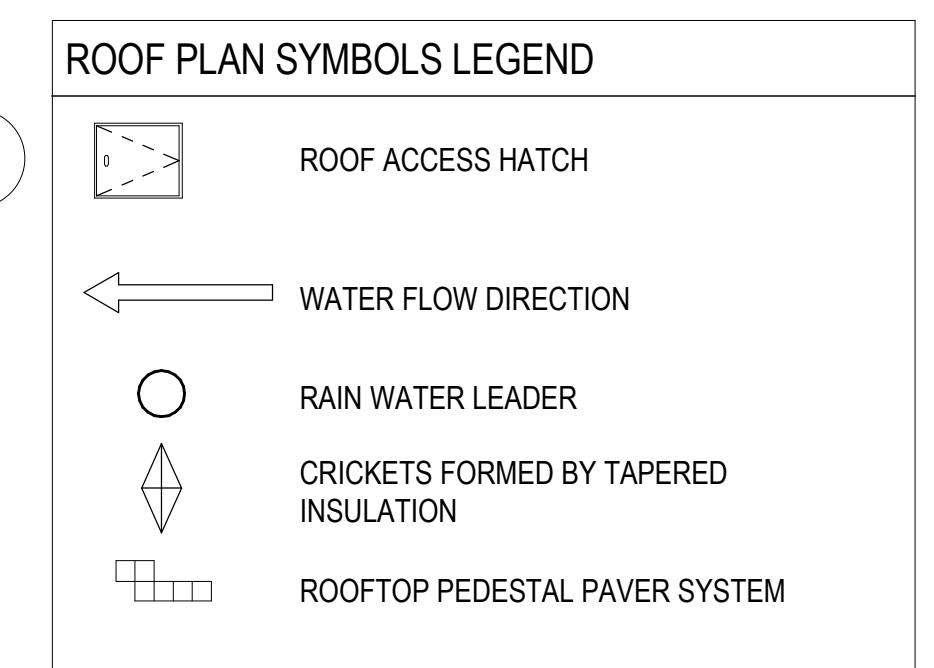
**TERTIARY / UV BUILDING
GROUND FLOOR PLAN**

SCALE:	JOB NO:
1:50	22001
DESIGNED BY:	DATE:
LC	2025/01/23
DRAWN BY:	DRAWING NO.:
BB / CH	
CHECKED BY:	
JB	A4102

2025-01-22 1:49:57 PM Autodesk Docs://22001 - Napanee New WPCP/A24 - Napanee WPCP_Tertiary Building.rvt



- ### PLAN GENERAL NOTES
- REFER TO ELECTRICAL DRAWINGS/SPECIFICATIONS FOR ALL QUANTITIES/LOCATIONS OF ELECTRICAL RECEPTACLES.
 - REFER TO MECHANICAL DRAWINGS/SPECIFICATIONS FOR ALL QUANTITIES/LOCATIONS OF MECHANICAL RECEPTACLES.
 - REFER TO INTERIOR ELEVATIONS FOR ALL MILLWORK SCOPE/DETAILS.
 - UNLESS OTHERWISE INDICATED, LIGHTING TO BE CENTERED BETWEEN INTERIOR PARTITIONS OF BOUNDING ROOM.
 - ALL BULKHEAD WIDTHS SUBJECT TO SITE CONFIRMATION.
 - WHERE NO WALL FINISH HAS BEEN NOTED ON THE ELEVATIONS, THE WALL FINISH SHALL BE PAINT.
 - REFER TO ROOM FINISH SCHEDULE FOR FLOOR FINISHES
 - PLEASE NOTE, NOT ALL PLAN BASED EXTERIOR DETAILS ARE CALLED OUT IN THE PLANS. EXTERIOR DETAILS ARE LABELED TYP, WHERE THEY ARE TYPICAL CONTRACTOR TO REVIEW ALL CONTRACT DOCUMENTS TO IDENTIFY QUANTITY AND LOCATION.
 - COORDINATE WITH MECHANICAL CONTRACTOR FOR LOCATION AND QUANTITY FOR LOCATION AND QUANTITY OF PLUMBING VENT. REFER TO VENT PENETRATION DETAIL 6 / A5002



- ### ROOF PLAN KEYNOTES
- PRECAST CONCRETE PAVERS AND PEDISTALS
 - PREFIN. METAL CAP LFASHING

DATE	NO.	REVISION
2025/01/23	2	ISSUED FOR TENDER
2024/06/23	1	ISSUED FOR ECA APPROVAL

THE DRAWINGS, ARRANGEMENTS, ANNOTATIONS AND GRAPHICAL PRESENTATIONS ON THIS DOCUMENT ARE THE PROPERTY OF EVB ENGINEERING WHO RETAINS OWNERSHIP AND AUTHORITY OF THIS DOCUMENT. IN ITS ENTIRETY THIS DOCUMENT IS AN INSTRUMENT OF SERVICE AND IS THE INTELLECTUAL AND PHYSICAL PROPERTY OF EVB ENGINEERING. AUTHORIZED USE OF THIS DRAWING IS GRANTED SOLELY FOR THE PURPOSE OF THIS SPECIFIC PROJECT AND LOCATION, AND NOT FOR CONSTRUCTION OR USE FOR ANY OTHER PROJECT. COPYRIGHT © 2024 EVB ENGINEERING.

ONTARIO ASSOCIATION
OF
ARCHITECTS
John Kelly
GUY L. COLE
LICENCE
4813

PROJECT
NORTH

T.N. = TRUE NORTH

CONSULTANT:

800 SECOND STREET WEST
CORNWALL, ONTARIO CANADA, K6J 1H6
TEL: 613-935-3775 | FAX: 613-935-6450
WEBSITE: EVBengineering.com

SUB-CONSULTANT:

C2 Architecture Inc.
415 Baseline Road West
Bowmanville, ON L1C 5M2
905.697.4464

CLIENT:

GREATER FOR BANT BUILDING

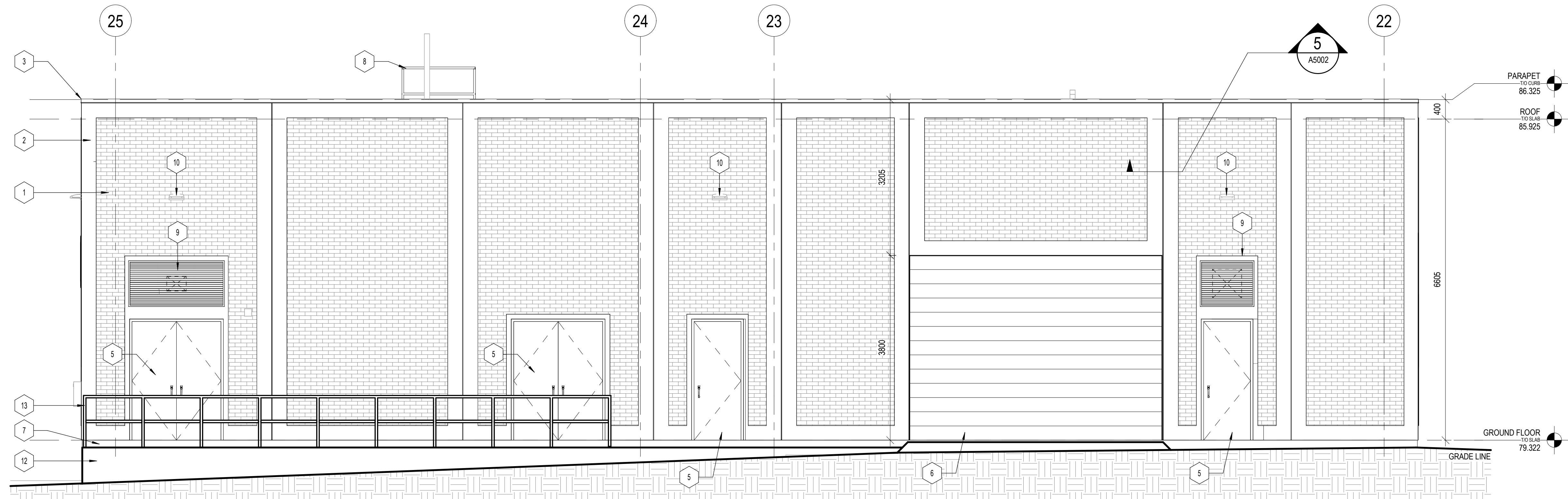
PROJECT:

NEW NAPANEE WPCP

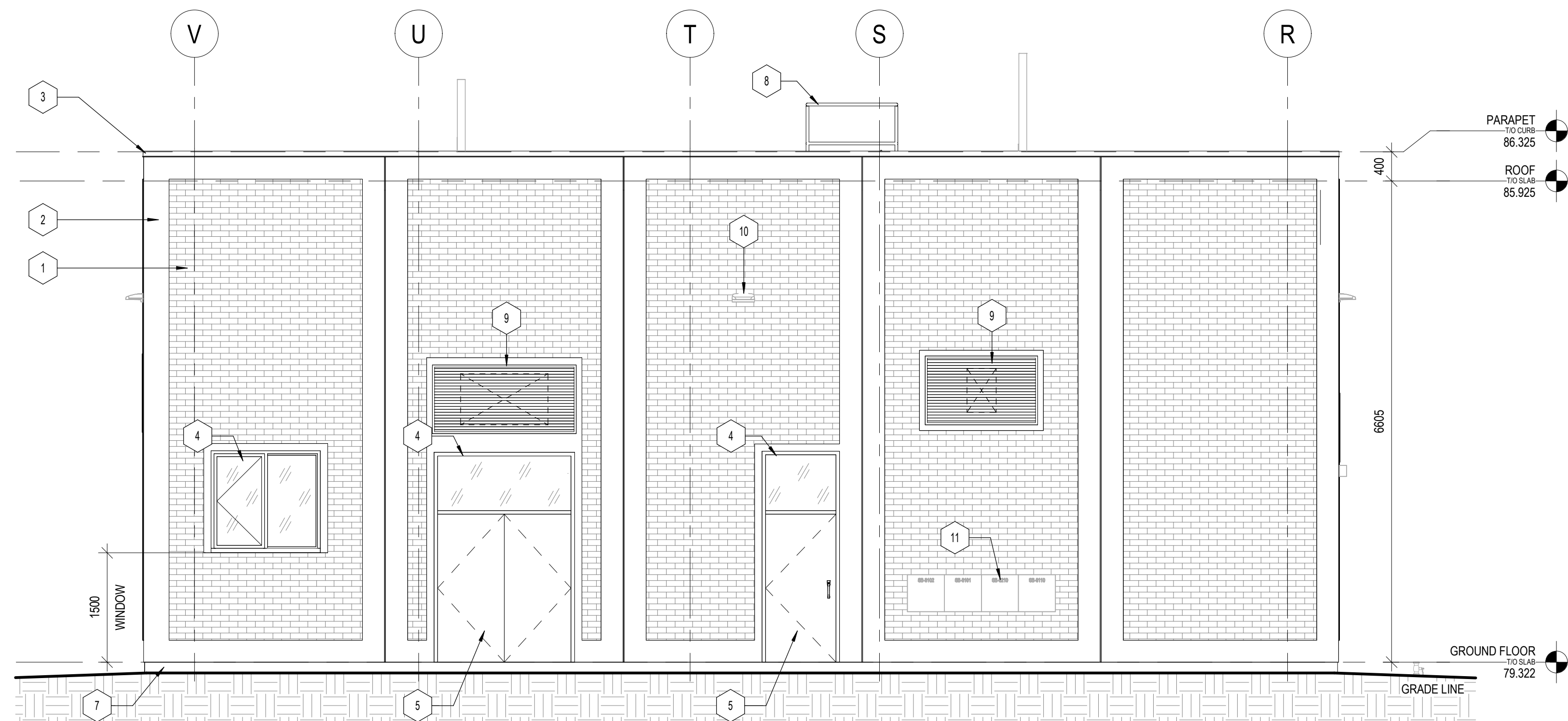
TITLE:

TERTIARY / UV BUILDING
ROOF PLAN

SCALE: 1 : 50	JOB NO: 22001
DESIGNED BY: LC	DATE: 2025/01/23
DRAWN BY: BB / CH	DRAWING NO.:
CHECKED BY: JB	A4103



1 NORTH ELEVATION
A4301 SCALE: 1:50



2 EAST ELEVATION
A4301 SCALE: 1:50

ELEVATION SYMBOLS

- LOUVRE ACTIVE AREA (REFER TO MECHANICAL)

ELEVATION KEYNOTES

- 1 ARCHITECTURAL PRECAST CONCRETE PANELS (TEXTURED FACE BRICK RELIEF PATTERN, SEALED AND STAINED BY MANUFACTURER)
- 2 ARCHITECTURAL PRECAST CONCRETE PANELS (SMOOTH FINISH, SEALED BY MANUFACTURER)
- 3 PREFINISHED METAL CAP FLASHING
- 4 ALUMINUM FRAMES WITH LOW 'E' COATED DOUBLE GLAZING (REFER TO DOOR & WINDOW SCHEDULE)
- 5 INSULATED DOORS AND FRAMES. REFER TO DOOR SCHEDULE FOR MATERIAL AND FINISH.
- 6 INSULATED PREFINISHED DRIVE-IN ROLL UP ACCESS DOOR. REFER TO DOOR SCHEDULE FOR MATERIAL AND FINISH.
- 7 POURED CONCRETE FOUNDATION (REFER TO STRUCTURAL)
- 8 ROOF HATCH SAFETY RAILING
- 9 PREFINISHED METAL LOUVRE (REFER TO MECHANICAL)
- 10 SURFACE MOUNTED ELECTRICAL LIGHT FIXTURE (REFER TO ELECTRICAL)
- 11 ELECTRICAL EQUIPMENT (REFER TO ELECTRICAL)
- 12 CONCRETE SIDEWALK (REFER TO CIVIL)
- 13 GUARDRAIL (REFER TO CIVIL)

DATE	NO.	REVISION
2025/01/23	2	ISSUED FOR TENDER
2024/06/23	1	ISSUED FOR ECA APPROVAL

THE DRAWINGS, ARRANGEMENTS, ANNOTATIONS AND GRAPHICAL PRESENTATIONS ON THIS DOCUMENT ARE THE PROPERTY OF EVB ENGINEERING WHO RETAINS OWNERSHIP AND AUTHORSHIP OF THIS DOCUMENT. IN ITS ENTIRETY THIS DOCUMENT IS AN INSTRUMENT OF SERVICE AND IS THE INTELLECTUAL AND PHYSICAL PROPERTY OF EVB ENGINEERING. AUTHORIZED USE OF THIS DRAWING IS GRANTED SOLELY FOR THE PURPOSE OF THIS SPECIFIC PROJECT AND LOCATION, AND NOT FOR CONSTRUCTION OR USE FOR ANY OTHER PROJECT. COPYRIGHT © 2024 EVB ENGINEERING.



CONSULTANT:
 800 SECOND STREET WEST
 CORNWALL, ONTARIO CANADA, K5J 1H6
 TEL: 613-935-3775 | FAX: 613-935-6450
 WEBSITE: EVBengineering.com

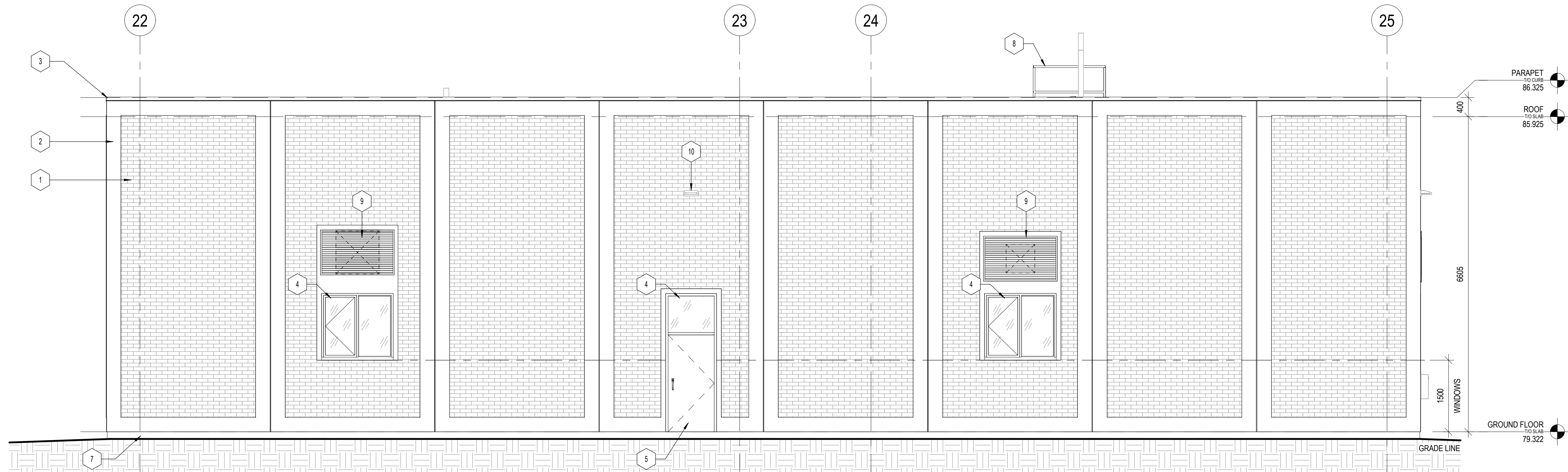
SUB-CONSULTANT:
C2 Architecture
 C2 Architecture Inc.
 415 Baseline Road West
 Bowmanville, ON L1C 5M2
 ☎ 905.697.4464

CLIENT:
Greater Napanee
 GREATER FOR BOUND BUILDING

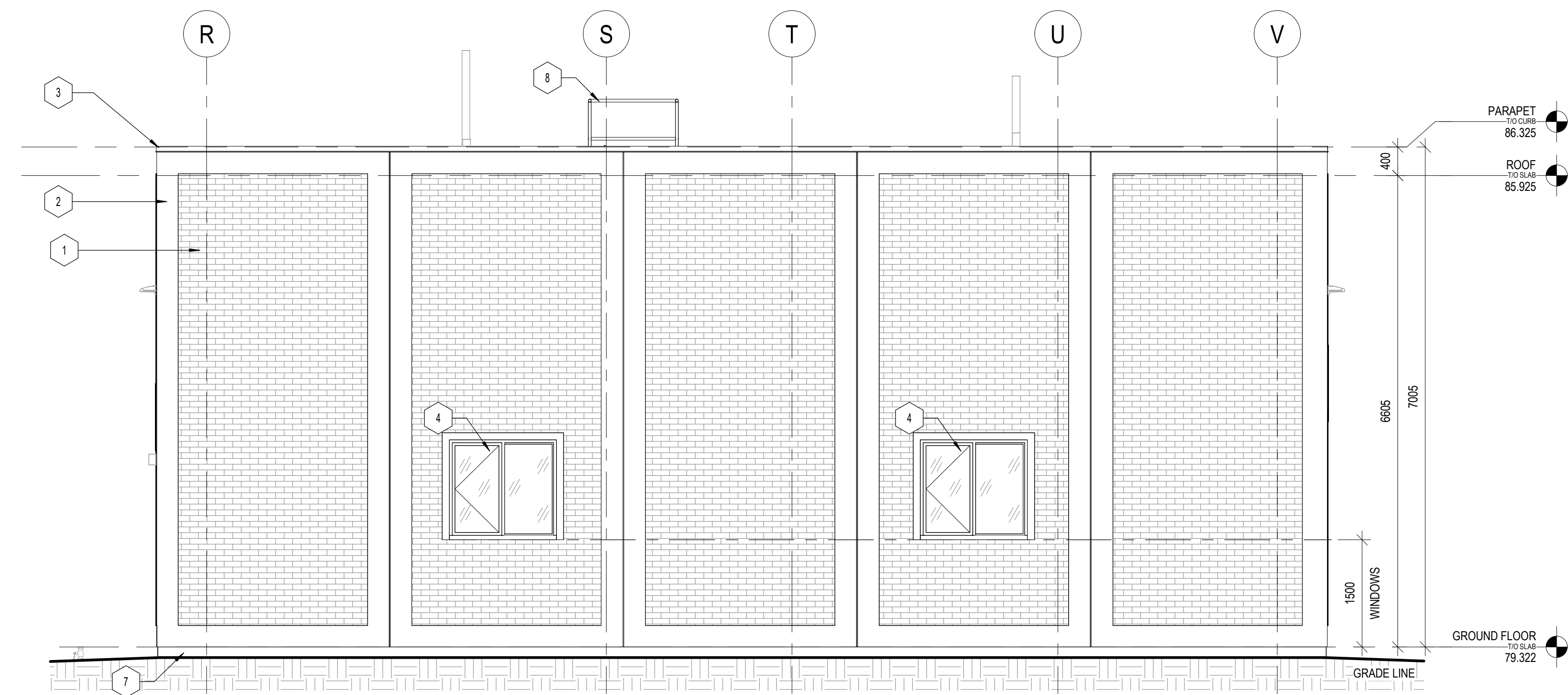
PROJECT:
NEW NAPANEE WPCP

TITLE:
**TERTIARY / UV BUILDING
 NORTH & EAST ELEVATIONS**

SCALE: 1:50	JOB NO: 22001
DESIGNED BY: LC	DATE: 2025/01/23
DRAWN BY: BB / CH	DRAWING NO. A4301
CHECKED BY: JB	



1 SOUTH ELEVATION
A4302 SCALE: 1:50



2 WEST ELEVATION
A4302 SCALE: 1:50

ELEVATION SYMBOLS

LOUVRE ACTIVE AREA (REFER TO MECHANICAL)

ELEVATION KEYNOTES

- ARCHITECTURAL PRECAST CONCRETE PANELS (TEXTURED FACE BRICK RELIEF PATTERN, SEALED AND STAINED BY MANUFACTURER)
- ARCHITECTURAL PRECAST CONCRETE PANELS (SMOOTH FINISH, SEALED BY MANUFACTURER)
- PREFINISHED METAL CAP FLASHING
- ALUMINUM FRAMES WITH LOW 'E' COATED DOUBLE GLAZING (REFER TO DOOR & WINDOW SCHEDULE)
- INSULATED DOORS AND FRAMES. REFER TO DOOR SCHEDULE FOR MATERIAL AND FINISH.
- INSULATED PREFINISHED DRIVE-IN ROLL UP ACCESS DOOR. REFER TO DOOR SCHEDULE FOR MATERIAL AND FINISH.
- POURED CONCRETE FOUNDATION (REFER TO STRUCTURAL)
- ROOF HATCH SAFETY RAILING
- PREFINISHED METAL LOUVRE (REFER TO MECHANICAL)
- SURFACE MOUNTED ELECTRICAL LIGHT FIXTURE (REFER TO ELECTRICAL)
- ELECTRICAL EQUIPMENT (REFER TO ELECTRICAL)
- CONCRETE SIDEWALK (REFER TO CIVIL)
- GUARDRAIL (REFER TO CIVIL)

DATE	NO.	REVISION
2025/01/23	2	ISSUED FOR TENDER
2024/06/23	1	ISSUED FOR ECA APPROVAL

THE DRAWINGS, ARRANGEMENTS, ANNOTATIONS AND GRAPHICAL PRESENTATIONS ON THIS DOCUMENT ARE THE PROPERTY OF EVB ENGINEERING WHO RETAINS OWNERSHIP AND AUTHORITY OF THIS DOCUMENT. IN ITS ENTIRETY THIS DOCUMENT IS AN INSTRUMENT OF SERVICE AND IS THE INTELLECTUAL AND PHYSICAL PROPERTY OF EVB ENGINEERING. AUTHORIZED USE OF THIS DRAWING IS GRANTED SOLELY FOR THE PURPOSE OF THIS SPECIFIC PROJECT AND LOCATION, AND NOT FOR CONSTRUCTION OR USE FOR ANY OTHER PROJECT.
COPYRIGHT © 2024 EVB ENGINEERING.



CONSULTANT:
EVB ENGINEERING
800 SECOND STREET WEST
CORNWALL, ONTARIO CANADA, K6J 1H6
TEL: 613-935-3775 | FAX: 613-935-6450
WEBSITE: EVBengineering.com

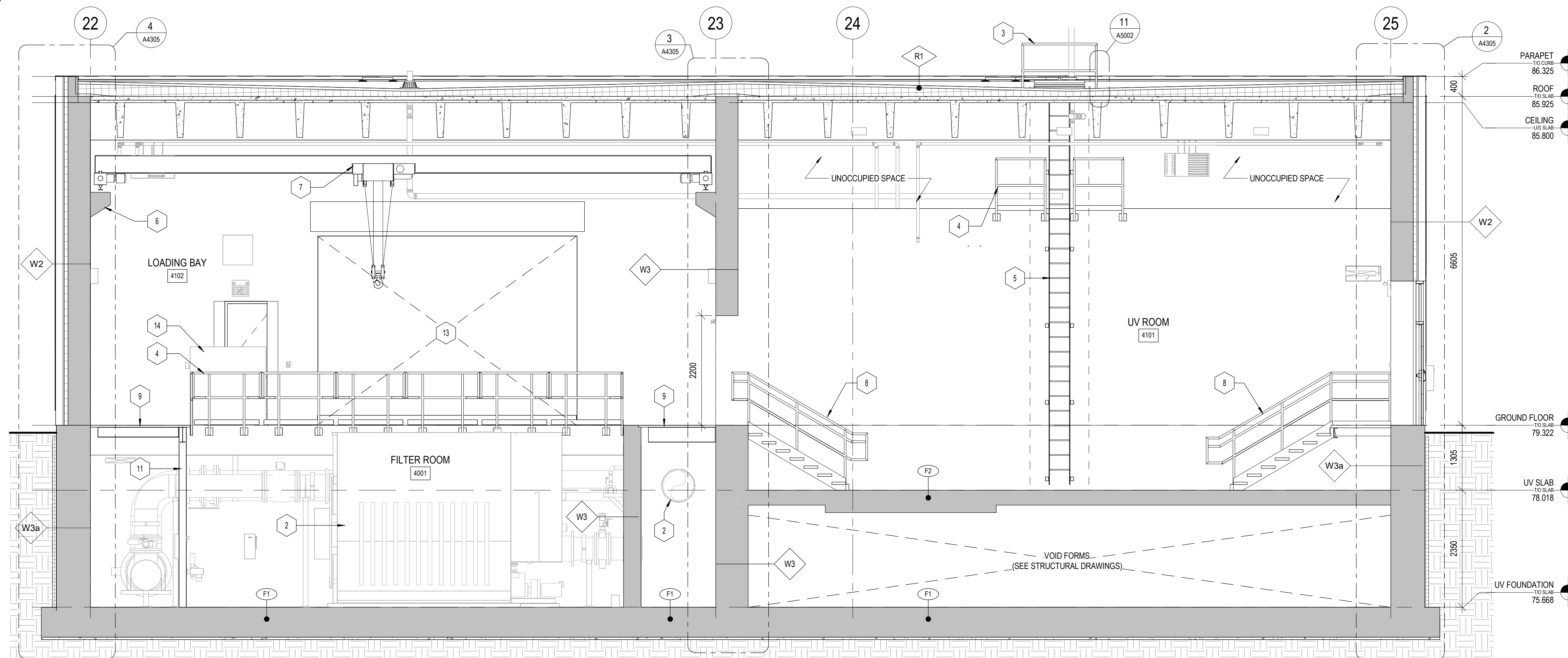
SUB-CONSULTANT:
C2 Architecture Inc.
C2 Architecture Inc.
415 Baseline Road West
Bowmanville, ON L1C 5M2
905.697.4464

CLIENT:
Greater Napanee
GREATER FOR BAYT BUILDING

PROJECT:
NEW NAPANEE WPCP

TITLE:
**TERTIARY / UV BUILDING
SOUTH & WEST ELEVATIONS**

SCALE: 1:50	JOB NO: 22001
DESIGNED BY: LC	DATE: 2025/01/23
DRAWN BY: BB / CH	DRAWING NO.:
CHECKED BY: JB	A4302

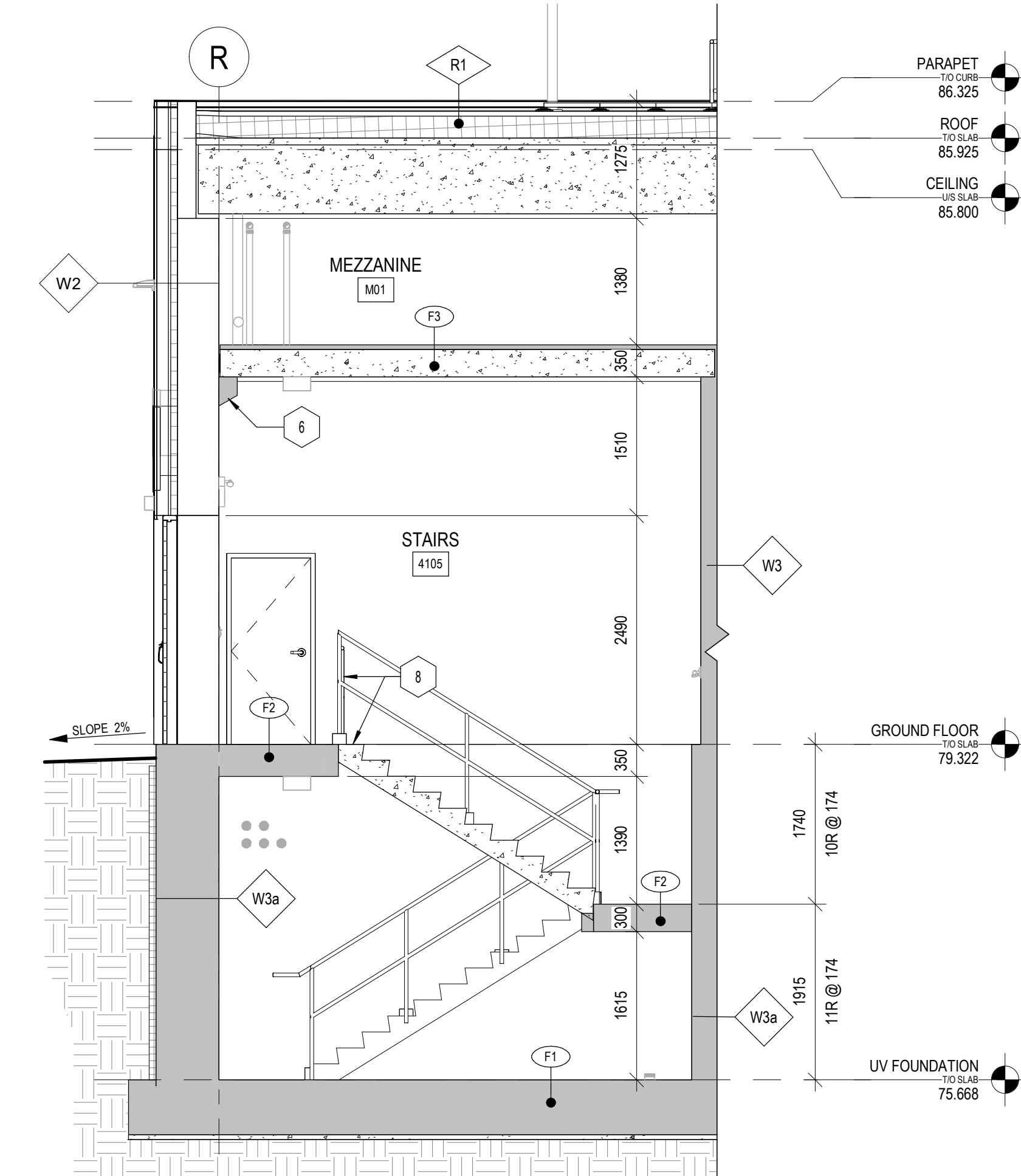


BUILDING SECTION KEYNOTES

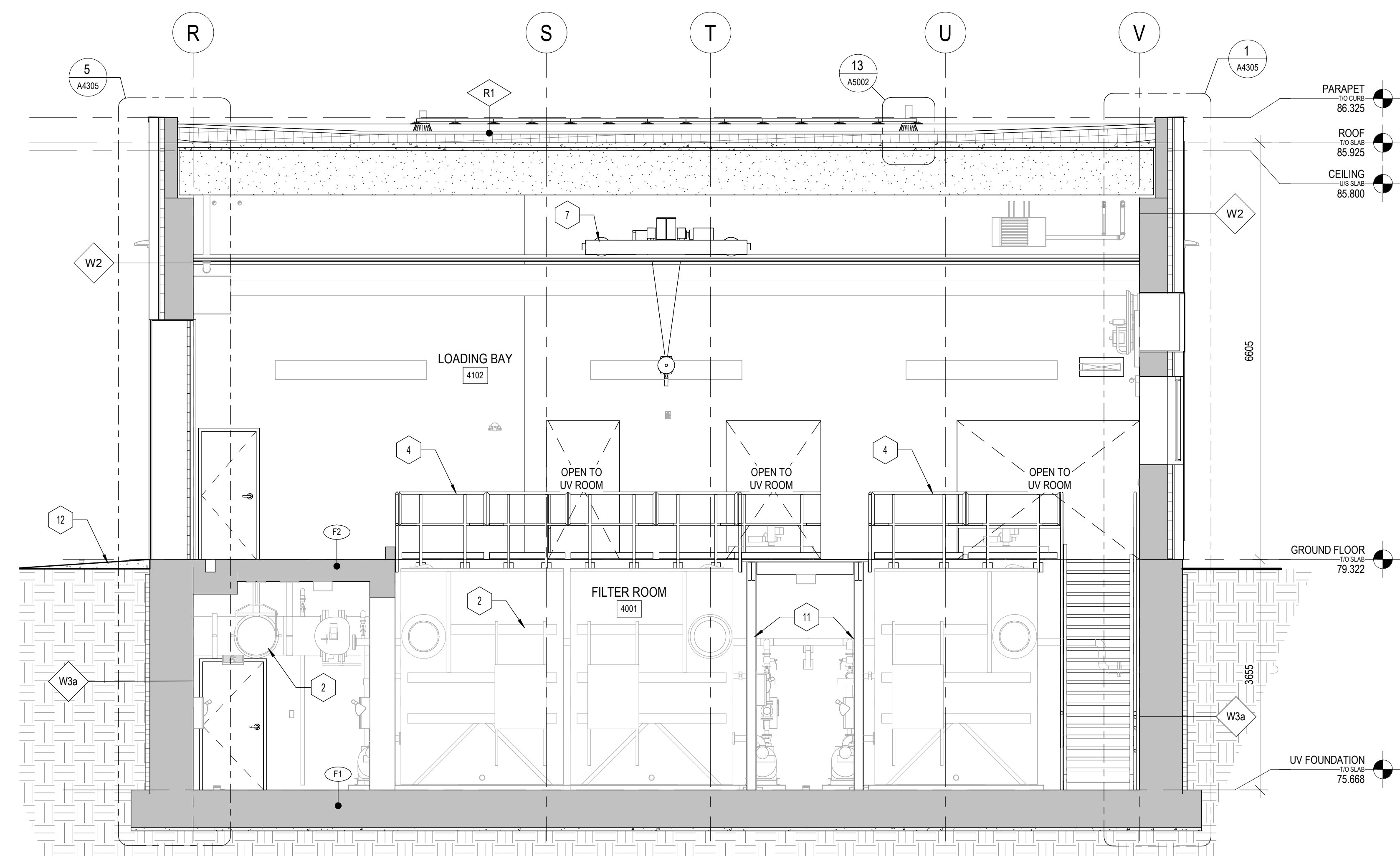
1. PLEASE NOTE, NOT ALL SECTION BASED EXTERIOR DETAILS ARE CALLED OUT IN THE SECTIONS. EXTERIOR DETAILS ARE LABELED TYP. WHERE THEY ARE TYPICAL CONTRACTOR TO REVIEW ALL CONTRACT DOCUMENTS TO IDENTIFY QUANTITY AND LOCATION.

- BUILDING SECTION KEYNOTES**
- 1 CONCRETE CURB FOR EQUIPMENT (REFER TO STRUCTURAL)
 - 2 PROCESS EQUIPMENT (REFER TO PROCESS)
 - 3 ROOF HATCH AND SAFETY RAIL
 - 4 GAURDRAIL
 - 5 LADDER FOR ROOF ACCESS (REFER TO STRUCTURAL)
 - 6 CORBEL (REFER TO STRUCTURAL)
 - 7 OVERHEAD CRANE (REFER TO STRUCTURAL)
 - 8 STAIRS AND RAILINGS (FOR DETAILS REFER TO STRUCTURAL)
 - 9 GRATE FLOORING (REFER TO STRUCTURAL)
 - 10 REMOVABLE FRP FLOORING (REFER TO STRUCTURAL)
 - 11 ALUMINUM POSTS (REFER TO STRUCTURAL)
 - 12 CONCRETE ACCESS RAMP (REFER TO CIVIL)
 - 13 INSULATED ROLL UP ACCESS DOOR AND HOOD
 - 14 ELECTRICAL EQUIPMENT (REFER TO ELECTRICAL)
 - 15 MECHANICAL EQUIPMENT (REFER TO MECHANICAL)
 - 16 DOUBLE SWING GATE (REFER TO STRUCTURAL)

1 BUILDING SECTION LOOKING NORTH
A4303 SCALE: 1:50



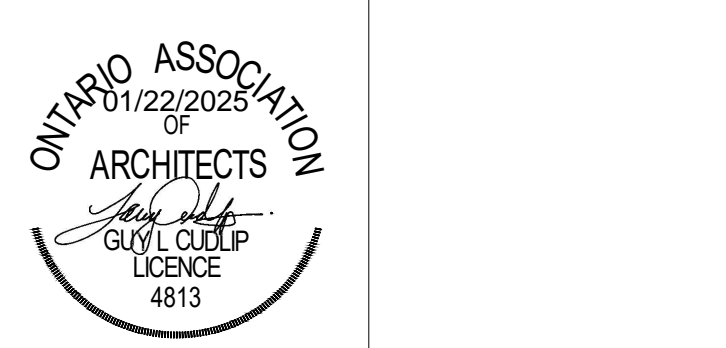
3 EXIT STAIRS SECTION
A4303 SCALE: 1:50



2 BUILDING SECTION LOOKING EAST THROUGH LOADING BAY
A4303 SCALE: 1:50

DATE	NO.	REVISION
2025/01/23	2	ISSUED FOR TENDER
2024/06/23	1	ISSUED FOR ECA APPROVAL

THE DRAWINGS, ARRANGEMENTS, ANNOTATIONS AND GRAPHICAL PRESENTATIONS ON THIS DOCUMENT ARE THE PROPERTY OF EVB ENGINEERING WHO RETAINS OWNERSHIP AND AUTHORITY OF THIS DOCUMENT. IN ITS ENTIRETY THIS DOCUMENT IS AN INSTRUMENT OF SERVICE AND IS THE INTELLECTUAL AND PHYSICAL PROPERTY OF EVB ENGINEERING. AUTHORIZED USE OF THIS DRAWING IS GRANTED SOLELY FOR THE PURPOSE OF THIS SPECIFIC PROJECT AND LOCATION, AND NOT FOR CONSTRUCTION OR USE FOR ANY OTHER PROJECT. COPYRIGHT © 2024 EVB ENGINEERING.

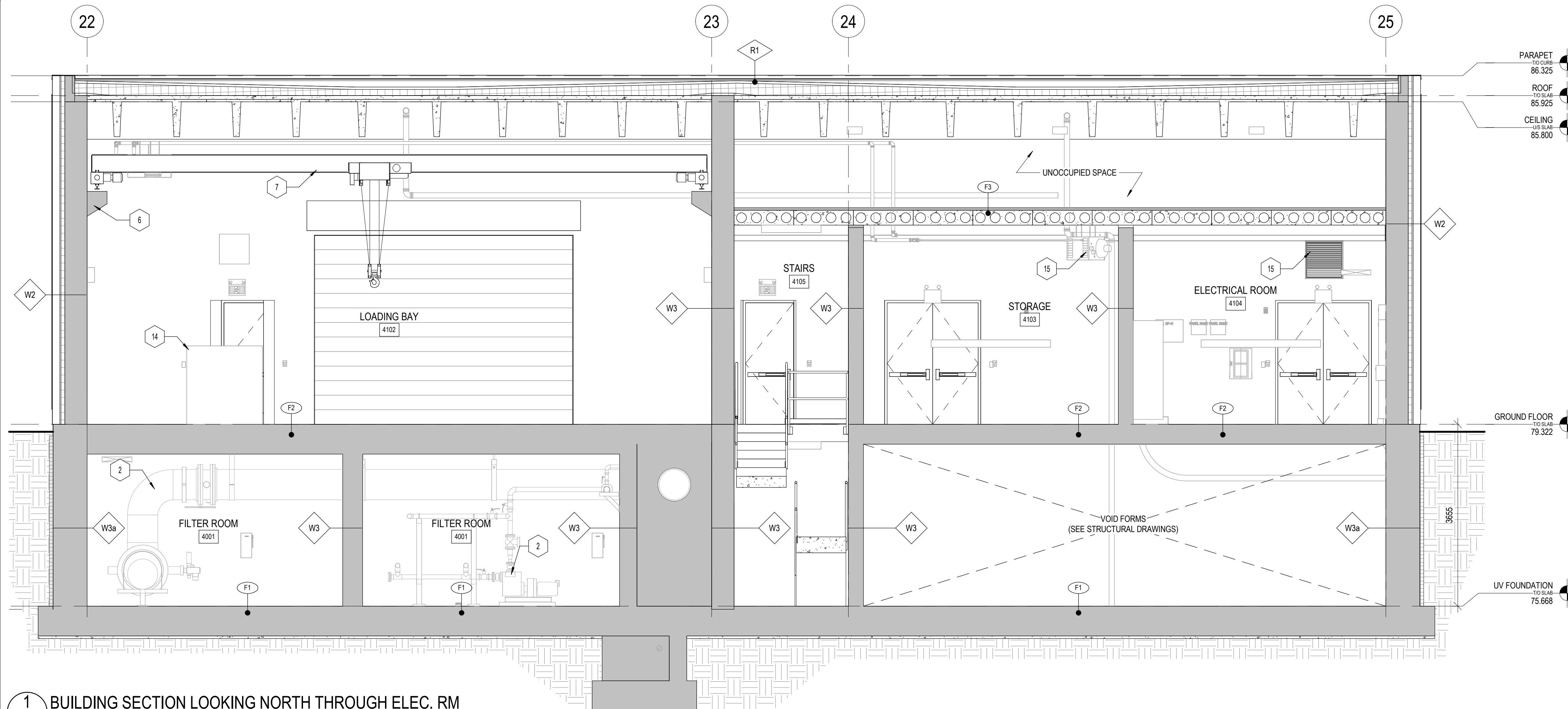


PROJECT:
NEW NAPANEE WPCP

TITLE:
TERTIARY / UV BUILDING BUILDING SECTIONS

SCALE: 1:50	JOB NO: 22001
DESIGNED BY: LC	DATE: 2025/01/23
DRAWN BY: BB / CH	DRAWING NO.:
CHECKED BY: JB	A4303

2025-01-22 1:50:02 PM Autodesk Docs://22001 - Napanee New WPCP/A24 - Napanee WPCP_Tertiary Building.dwg



BUILDING SECTION KEYNOTES

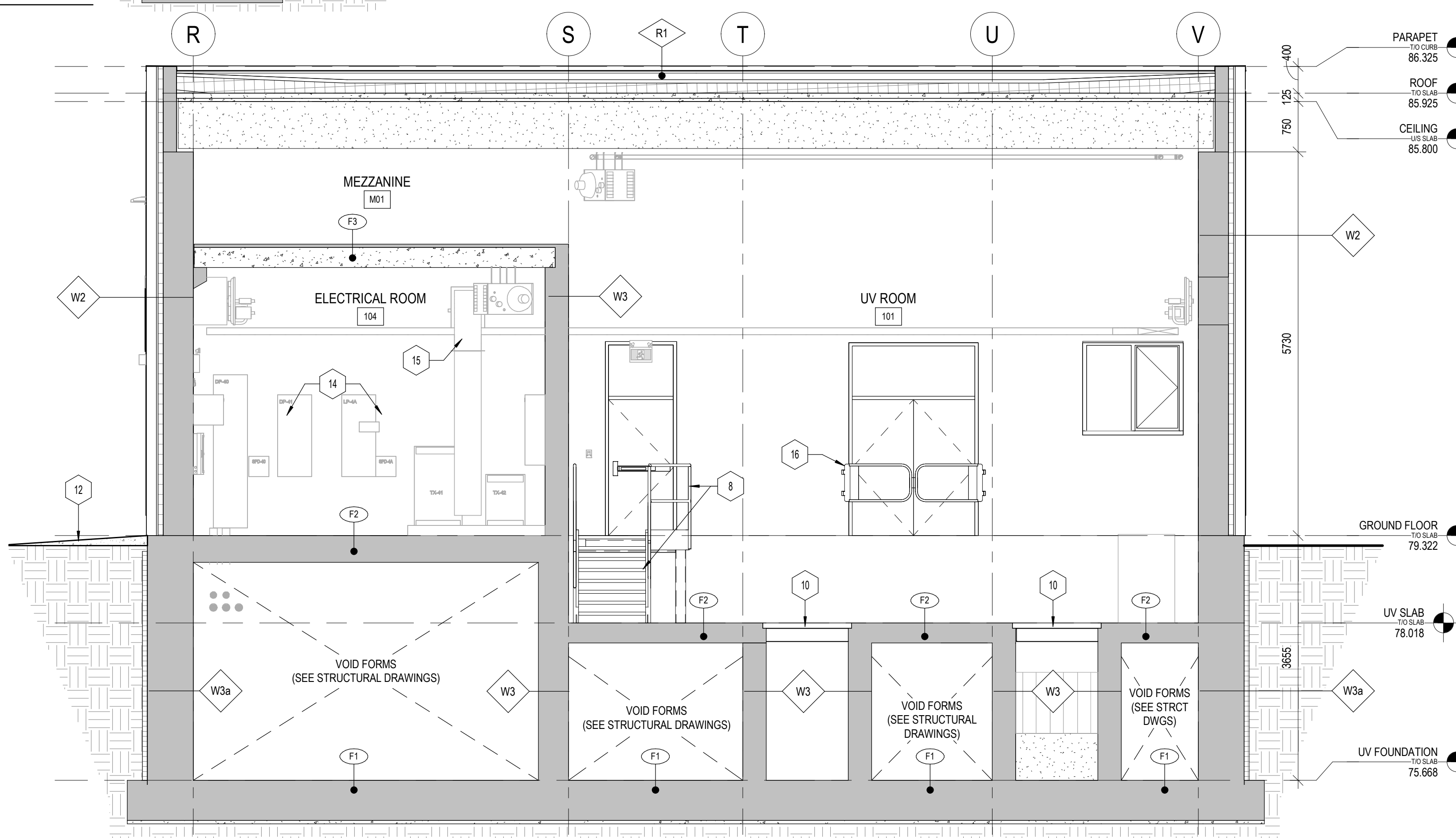
1. PLEASE NOTE, NOT ALL SECTION-BASED EXTERIOR DETAILS ARE CALLED OUT IN THE SECTIONS. EXTERIOR DETAILS ARE LABELED TYP. WHERE THEY ARE TYPICAL CONTRACTOR TO REVIEW ALL CONTRACT DOCUMENTS TO IDENTIFY QUANTITY AND LOCATION.

BUILDING SECTION KEYNOTES

- 1 CONCRETE CURB FOR EQUIPMENT (REFER TO STRUCTURAL)
- 2 PROCESS EQUIPMENT (REFER TO PROCESS)
- 3 ROOF HATCH AND SAFETY RAIL
- 4 GAURDRAIL
- 5 LADDER FOR ROOF ACCESS (REFER TO STRUCTURAL)
- 6 CORBEL (REFER TO STRUCTURAL)
- 7 OVERHEAD CRANE (REFER TO STRUCTURAL)
- 8 STAIRS AND RAILINGS (FOR DETAILS REFER TO STRUCTURAL)
- 9 GRATE FLOORING (REFER TO STRUCTURAL)
- 10 REMOVABLE FRP FLOORING (REFER TO STRUCTURAL)
- 11 ALUMINUM POSTS (REFER TO STRUCTURAL)
- 12 CONCRETE ACCESS RAMP (REFER TO CIVIL)
- 13 INSULATED ROLL UP ACCESS DOOR AND HOOD
- 14 ELECTRICAL EQUIPMENT (REFER TO ELECTRICAL)
- 15 MECHANICAL EQUIPMENT (REFER TO MECHANICAL)
- 16 DOUBLE SWING GATE (REFER TO STRUCTURAL)

1 BUILDING SECTION LOOKING NORTH THROUGH ELEC. RM

A4304 SCALE: 1:50

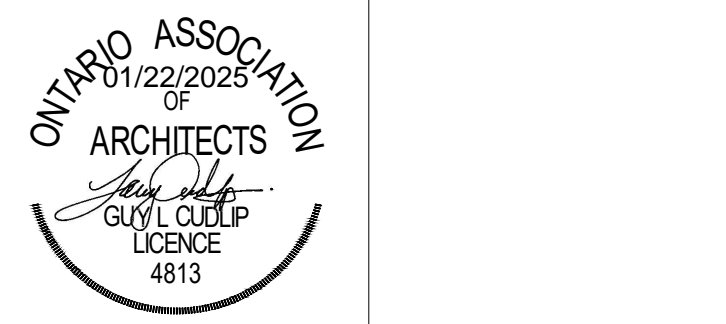


2 BUILDING SECTION LOOKING EAST THROUGH UV ROOM

A4304 SCALE: 1:50

DATE	NO.	REVISION
2025/01/23	2	ISSUED FOR TENDER
2024/06/23	1	ISSUED FOR ECA APPROVAL

THE DRAWINGS, ARRANGEMENTS, ANNOTATIONS AND GRAPHICAL PRESENTATIONS ON THIS DOCUMENT ARE THE PROPERTY OF EVB ENGINEERING WHO RETAINS OWNERSHIP AND AUTHORITY OF THIS DOCUMENT. IN ITS ENTIRETY THIS DOCUMENT IS AN INSTRUMENT OF SERVICE AND IS THE INTELLECTUAL AND PHYSICAL PROPERTY OF EVB ENGINEERING. AUTHORIZED USE OF THIS DRAWING IS GRANTED SOLELY FOR THE PURPOSE OF THIS SPECIFIC PROJECT AND LOCATION, AND NOT FOR CONSTRUCTION OR USE FOR ANY OTHER PROJECT. COPYRIGHT © 2024 EVB ENGINEERING.



CONSULTANT:
EVB ENGINEERING
 800 SECOND STREET WEST
 CORNWALL, ONTARIO CANADA, K6J 1H6
 TEL: 613-935-3775 | FAX: 613-935-6450
 WEBSITE: EVBengineering.com

SUB-CONSULTANT:
C2 Architecture
 C2 Architecture Inc.
 415 Baseline Road West
 Bowmanville, ON L1C 5M2
 ☎ 905.697.4464

CLIENT:
Greater Napanee
GRANDS FOR MANY REASONS

PROJECT:
NEW NAPANEE WPCP

TITLE:
TERTIARY / UV BUILDING BUILDING SECTIONS

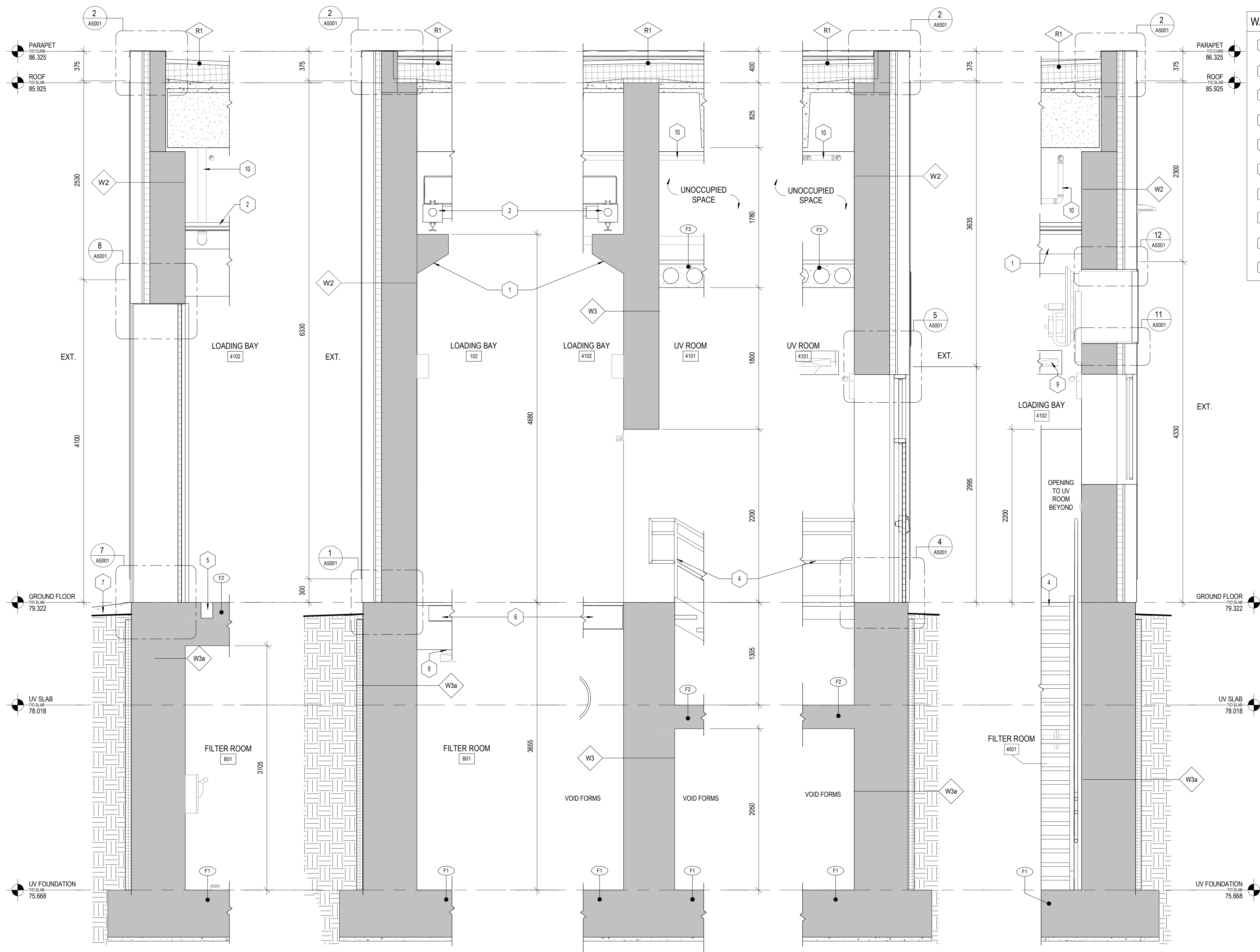
SCALE: 1:50	JOB NO: 22001
DESIGNED BY: LC	DATE: 2025/01/23
DRAWN BY: BB / CH	DRAWING NO.:
CHECKED BY: JB	A4304

WALL SECTION GENERAL NOTES

1. PLEASE NOTE, NOT ALL SECTION BASED EXTERIOR DETAIL ARE CALLED OUT IN THE WALL SECTIONS. EXTERIOR DETAILS ARE LABELED TYP. WHERE THEY ARE TYPICAL. CONTRACTOR TO REVIEW ALL CONTRACT DOCUMENTS TO IDENTIFY QUANTITY AND LOCATION.

WALL SECTION KEYNOTES

- 1 CORBEL (REFER TO STRUCTURAL)
- 2 OVERHEAD CRANE (REFER TO STRUCTURAL)
- 3 ALUMINUM GAUDDRAIL (REFER TO STRUCTURAL)
- 4 ALUMINUM STAIRS AND GAUDDRAIL (REFER TO STRUCTURAL)
- 5 TRENCH DRAIN (REFER TO MECHANICAL)
- 6 STEEL FRAMING (REFER TO STRUCTURAL)
- 7 CONCRETE RAMP (REFER TO STRUCTURAL)
- 8 PROCESS PIPING (REFER TO PROCESS)
- 9 CABLE TRAY (REFER TO ELECTRICAL)
- 10 PIPING (REFER TO MECHANICAL)



5 EXTERIOR WALL SECTION 4
A4305 SCALE: 1:25

4 EXTERIOR WALL SECTION 3
A4305 SCALE: 1:25

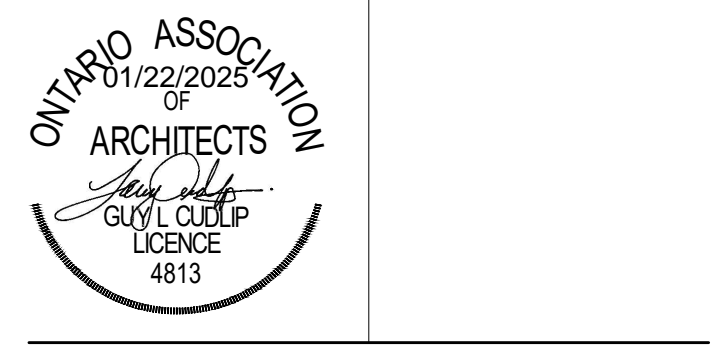
3 INTERIOR WALL SECTION 1
A4305 SCALE: 1:25

2 EXTERIOR WALL SECTION 2
A4305 SCALE: 1:25

1 EXTERIOR WALL SECTION 1
A4305 SCALE: 1:25

DATE	NO.	REVISION
2025/01/23	2	ISSUED FOR TENDER
2024/06/23	1	ISSUED FOR ECA APPROVAL

THE DRAWINGS, ARRANGEMENTS, ANNOTATIONS AND GRAPHICAL PRESENTATIONS ON THIS DOCUMENT ARE THE PROPERTY OF EVB ENGINEERING WHO RETAINS OWNERSHIP AND AUTHORITY OF THIS DOCUMENT. IN ITS ENTIRETY THIS DOCUMENT IS AN INSTRUMENT OF SERVICE AND IS THE INTELLECTUAL AND PHYSICAL PROPERTY OF EVB ENGINEERING. AUTHORIZED USE OF THIS DRAWING IS GRANTED SOLELY FOR THE PURPOSE OF THIS SPECIFIC PROJECT AND LOCATION, AND NOT FOR CONSTRUCTION OR USE FOR ANY OTHER PROJECT. COPYRIGHT © 2024 EVB ENGINEERING.



CONSULTANT:
EVB ENGINEERING
 800 SECOND STREET WEST
 CORNWALL, ONTARIO CANADA, K6J 1H6
 TEL: 613-935-3775 | FAX: 613-935-6450
 WEBSITE: EVBengineering.com

SUB-CONSULTANT:
C2 Architecture
 C2 Architecture Inc.
 415 Baseline Road West
 Bowmanville, ON L1C 5M2
 905.697.4464

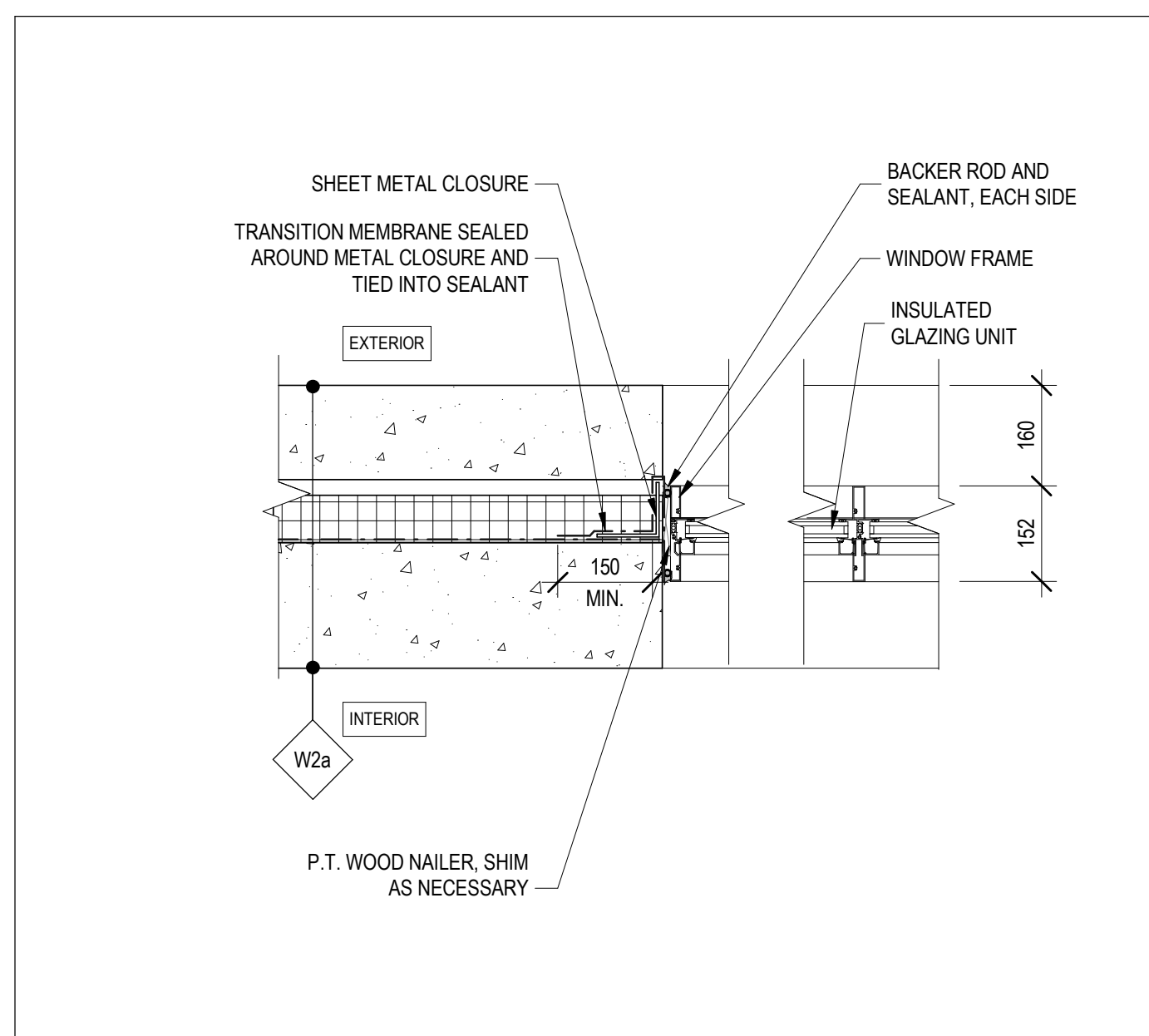
CLIENT:
Greater Napanee
 GREATER FOR BARRIERS

PROJECT:
NEW NAPANEE WPCP

TITLE:
TERTIARY / UV BUILDING WALL SECTIONS

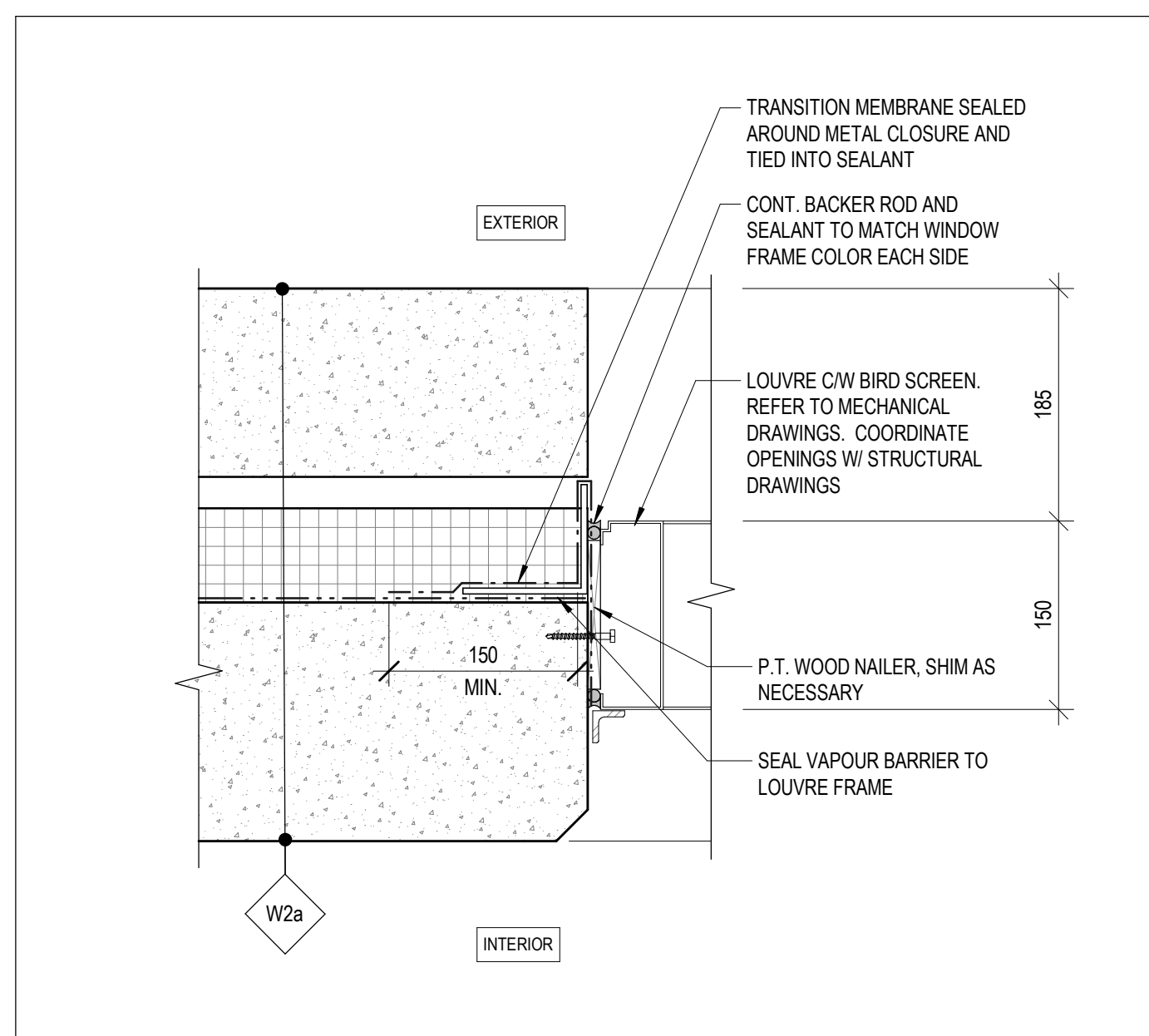
SCALE: 1:25	JOB NO: 22001
DESIGNED BY: LC	DATE: 2025/01/23
DRAWN BY: BB / CH	DRAWING NO.:
CHECKED BY: JB	A4305

2025-01-22 1:50:06 PM Autodesk Docs://22001 - Napanee New WPCP/24 - Napanee WPCP - Tertiary Building.rvt



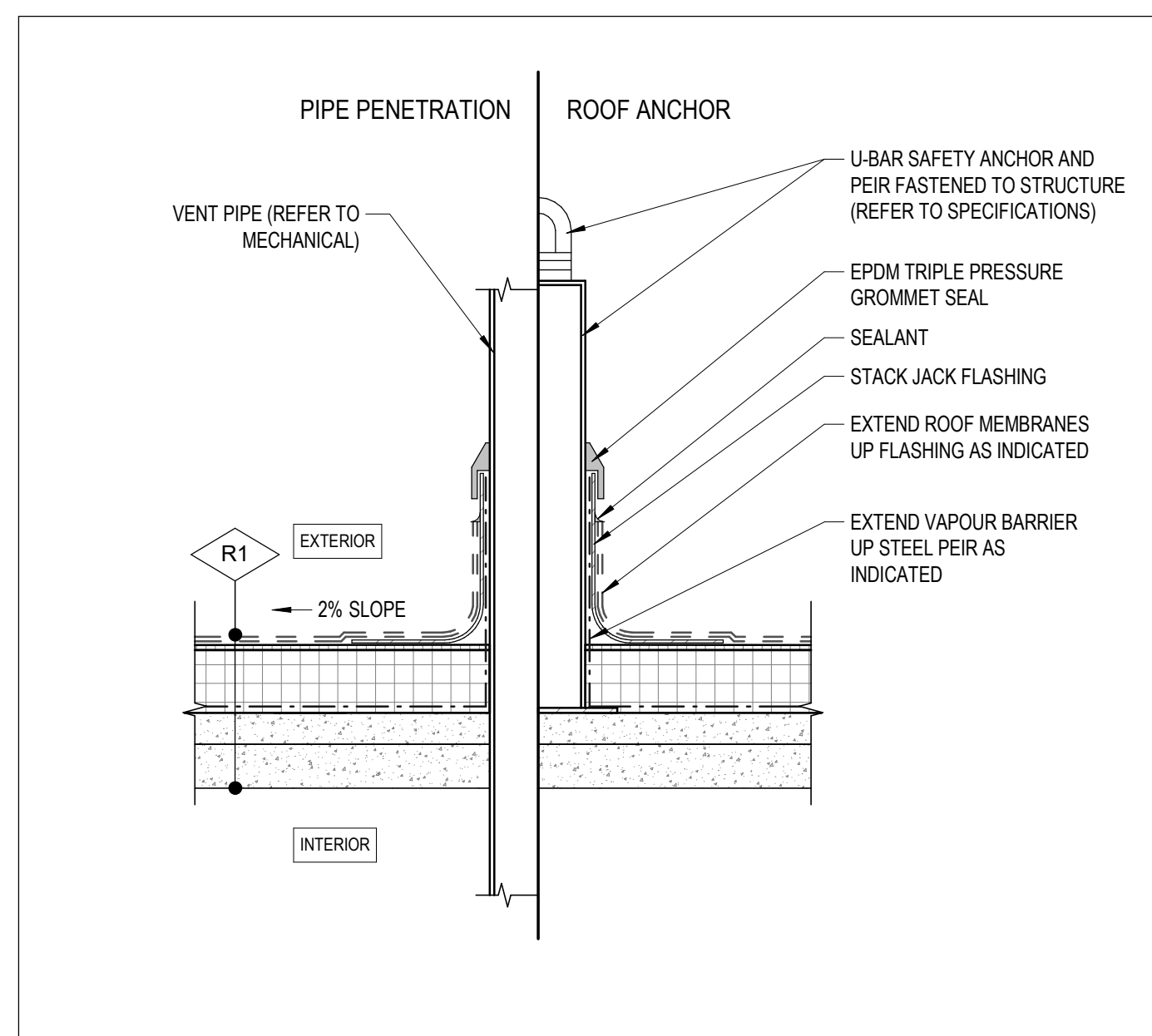
3 TYP. WINDOW FRAME JAMB DETAIL

A5002 SCALE: 1:10



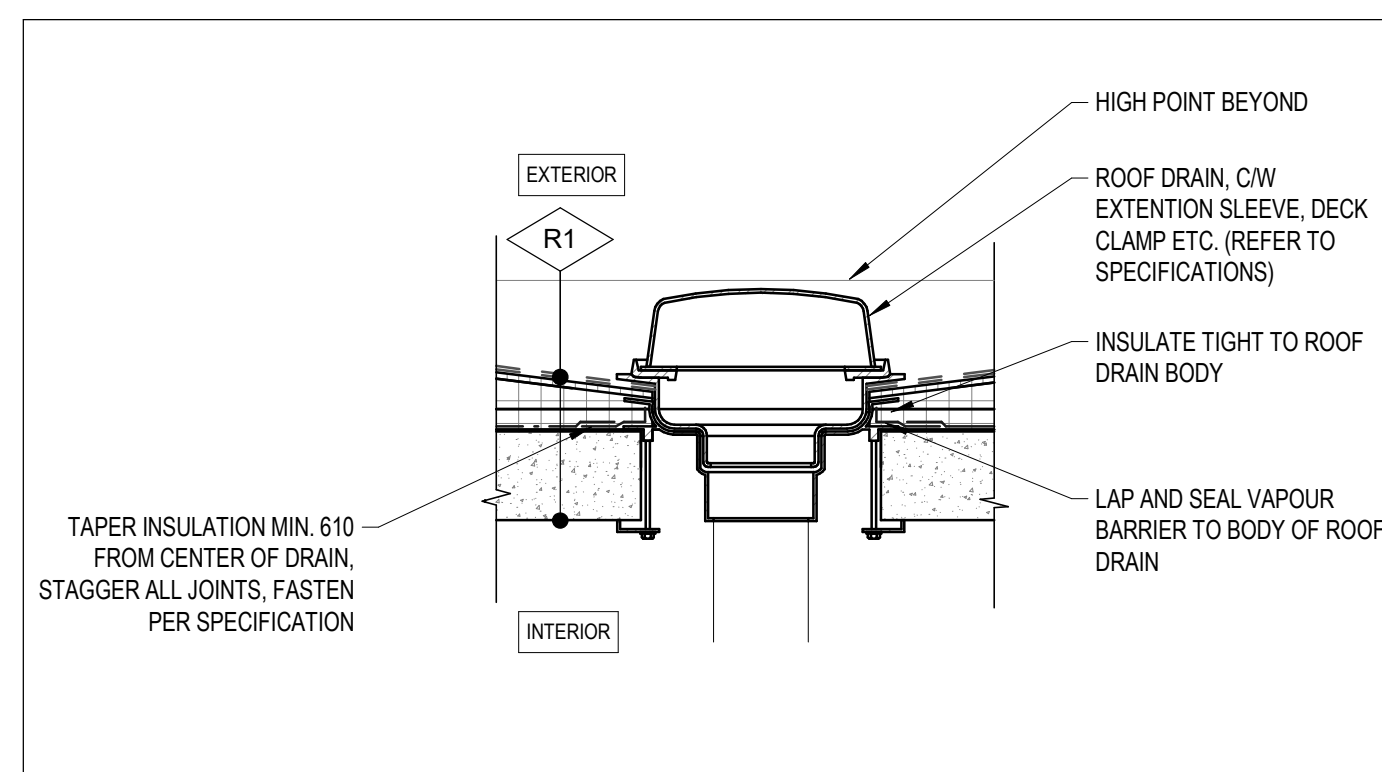
9 TYP. LOUVRE JAMB DETAIL

A5002 SCALE: 1:5



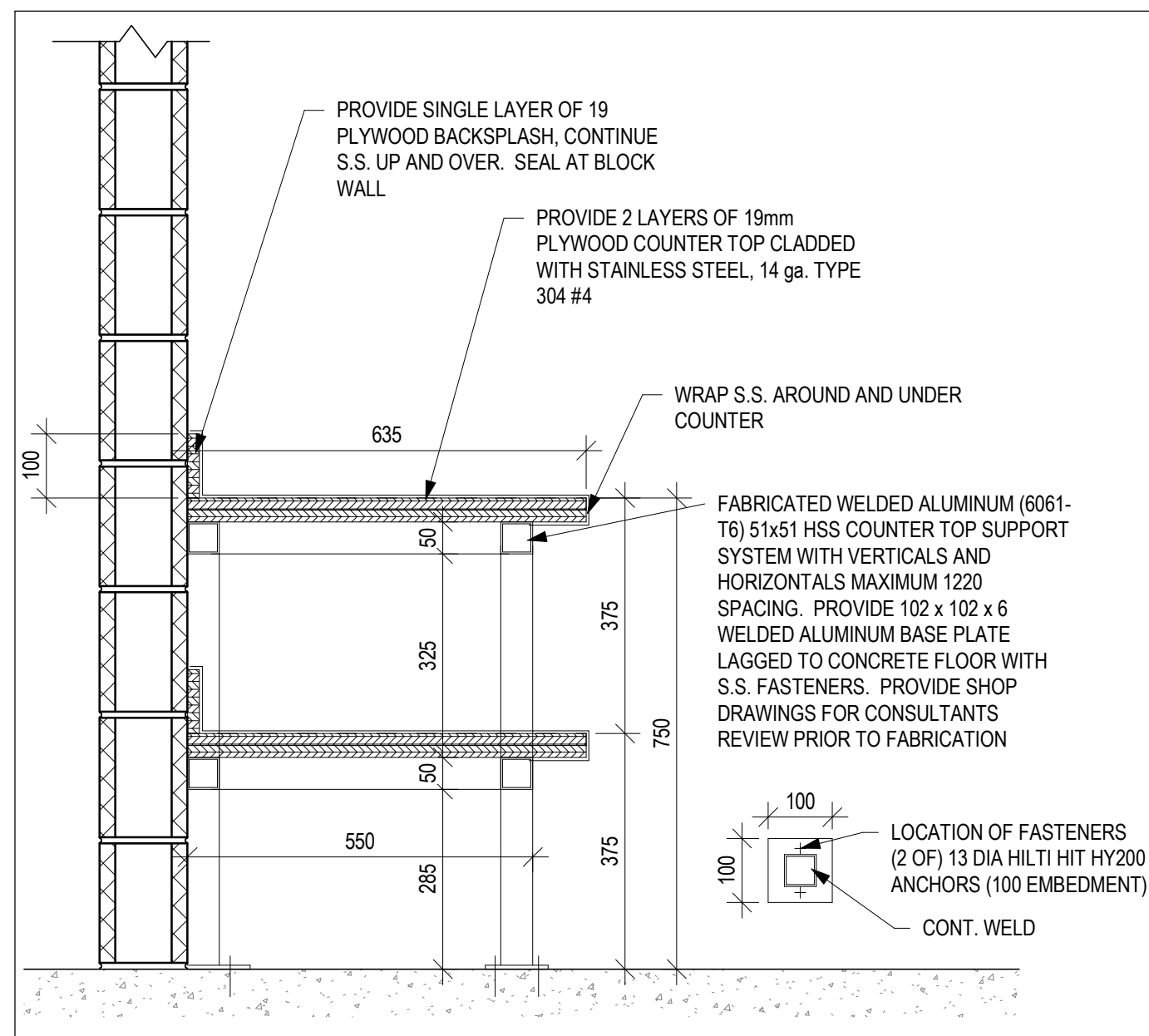
6 TYP. ROOF ANCHOR / PIPE PENETRATION DETAIL

A5002 SCALE: 1:10



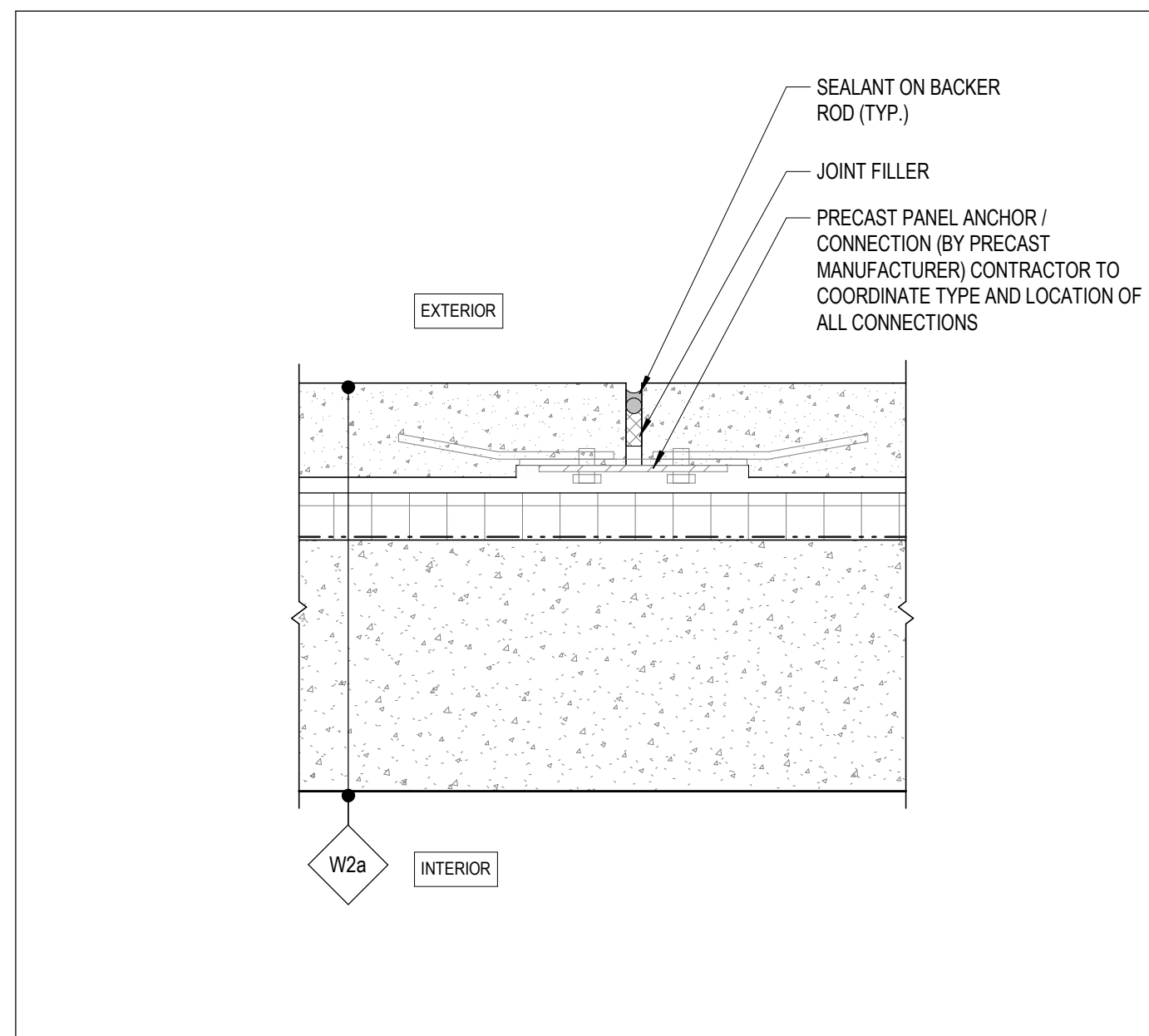
13 TYP. ROOF DRAIN DETAIL

A5002 SCALE: 1:10



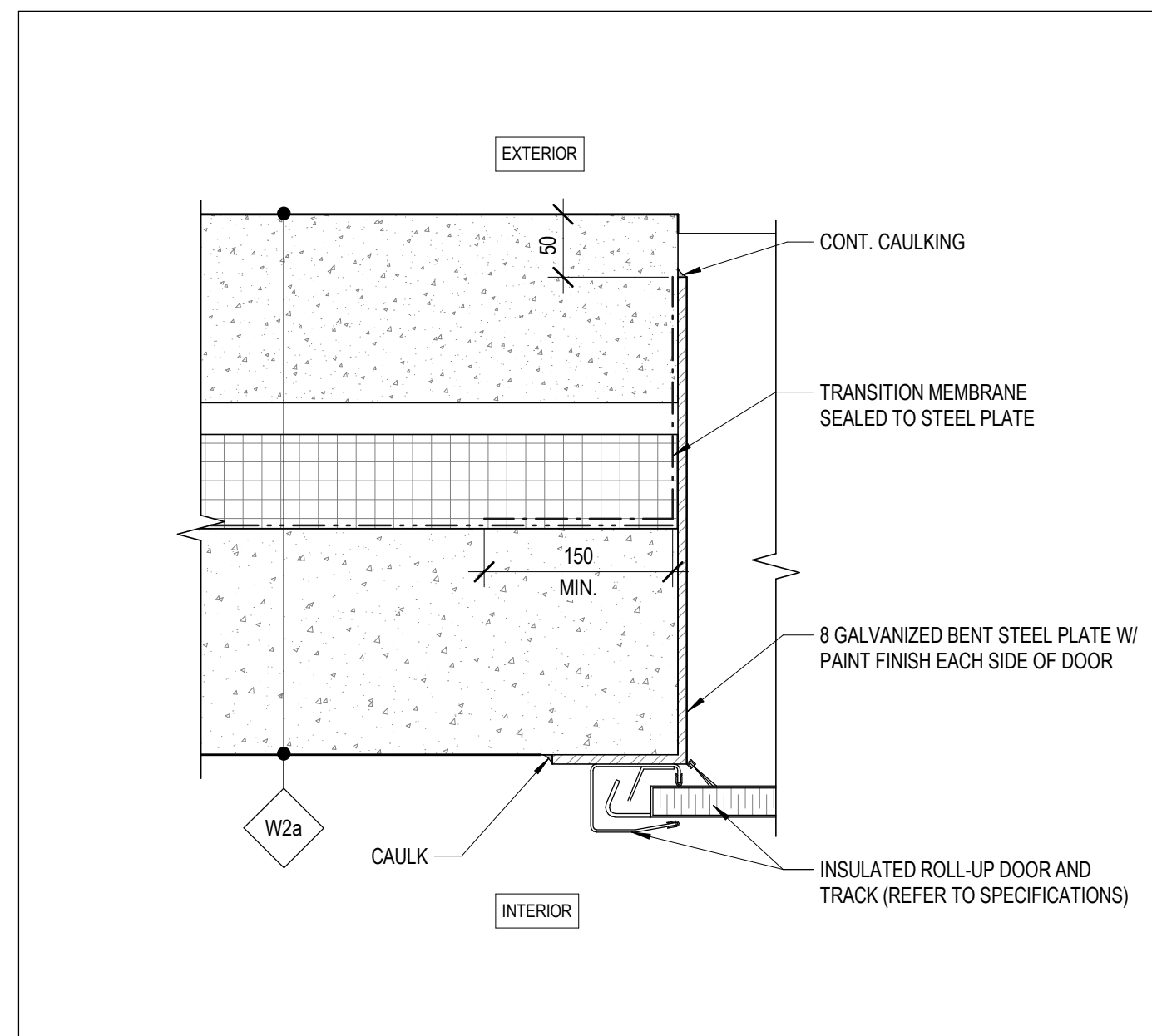
2 TYPICAL MILLWORK SECTION OF WORK TABLE

A5002 SCALE: 1:10



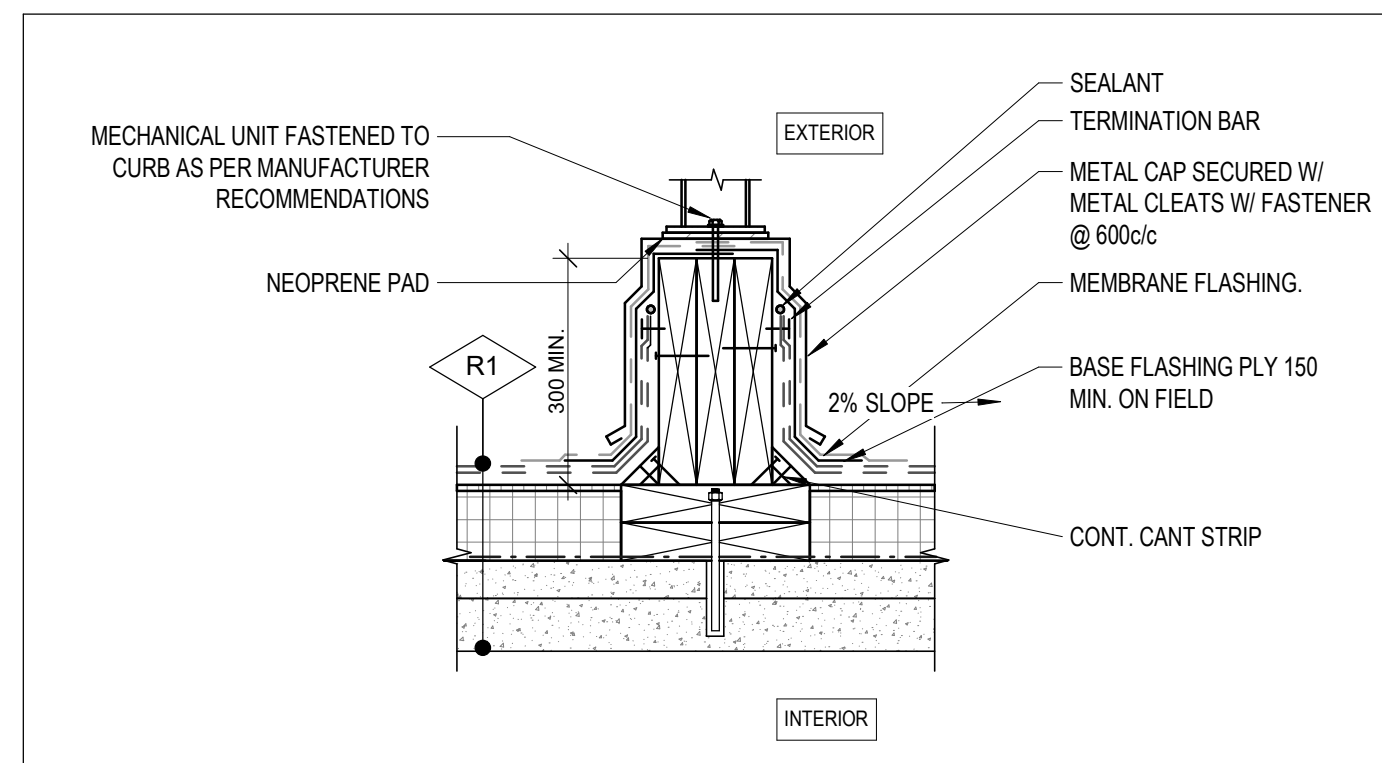
5 TYP. PRECAST CONNECTION @ OH DOOR PANELS

A5002 SCALE: 1:10



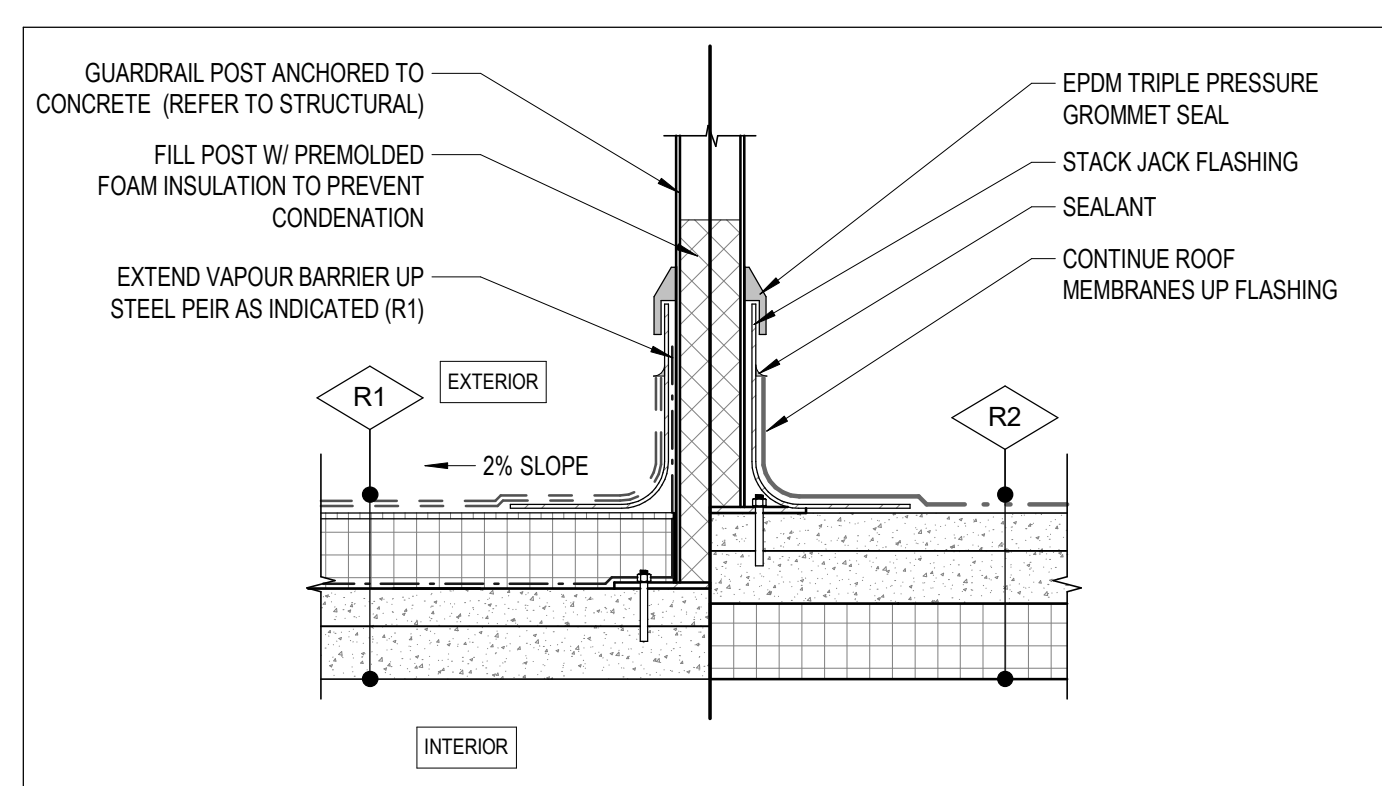
8 TYP. OVERHEAD DOOR JAMB DETAIL

A5002 SCALE: 1:5



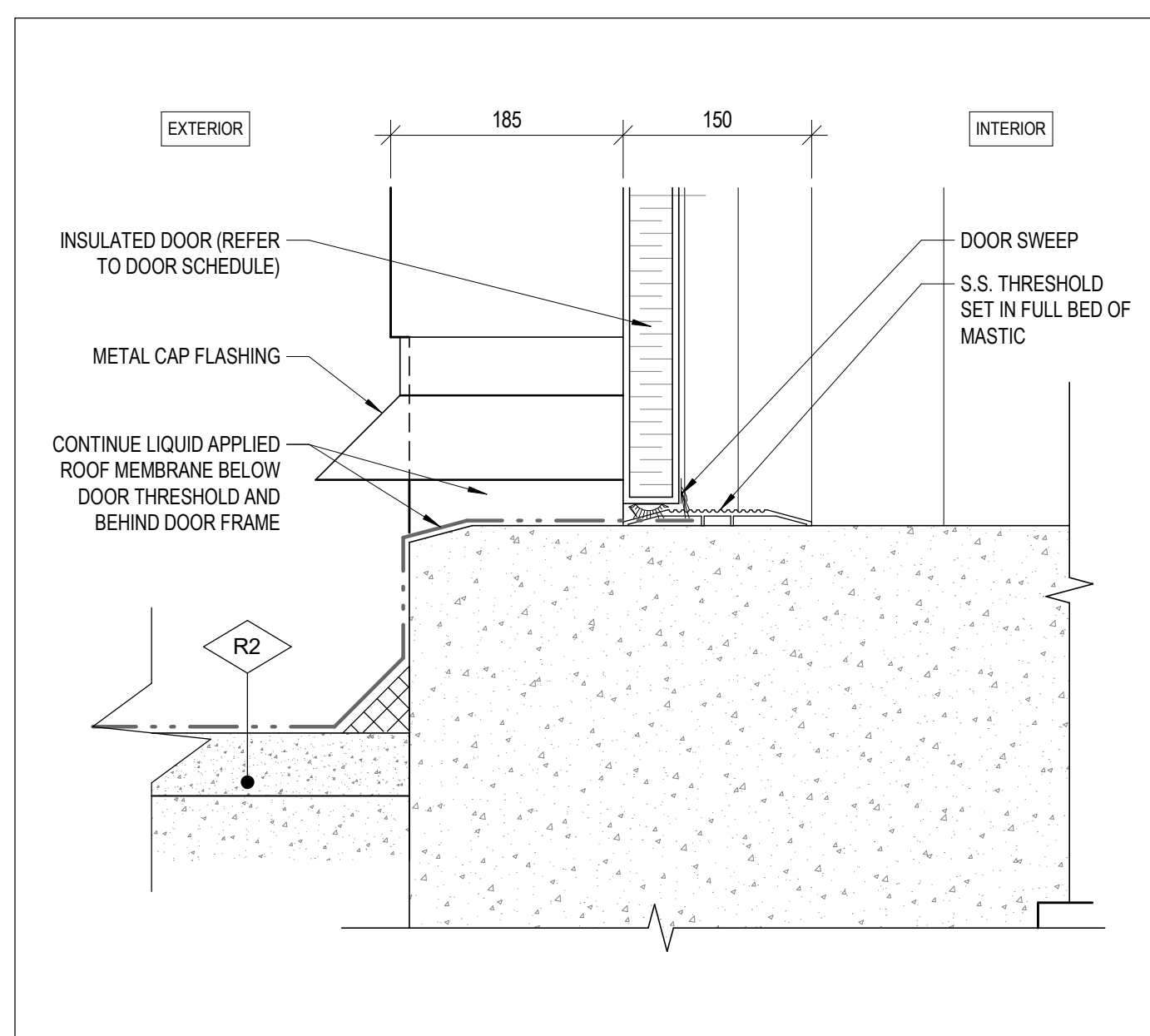
12 TYP. EQUIPMENT CURB DETAIL

A5002 SCALE: 1:10



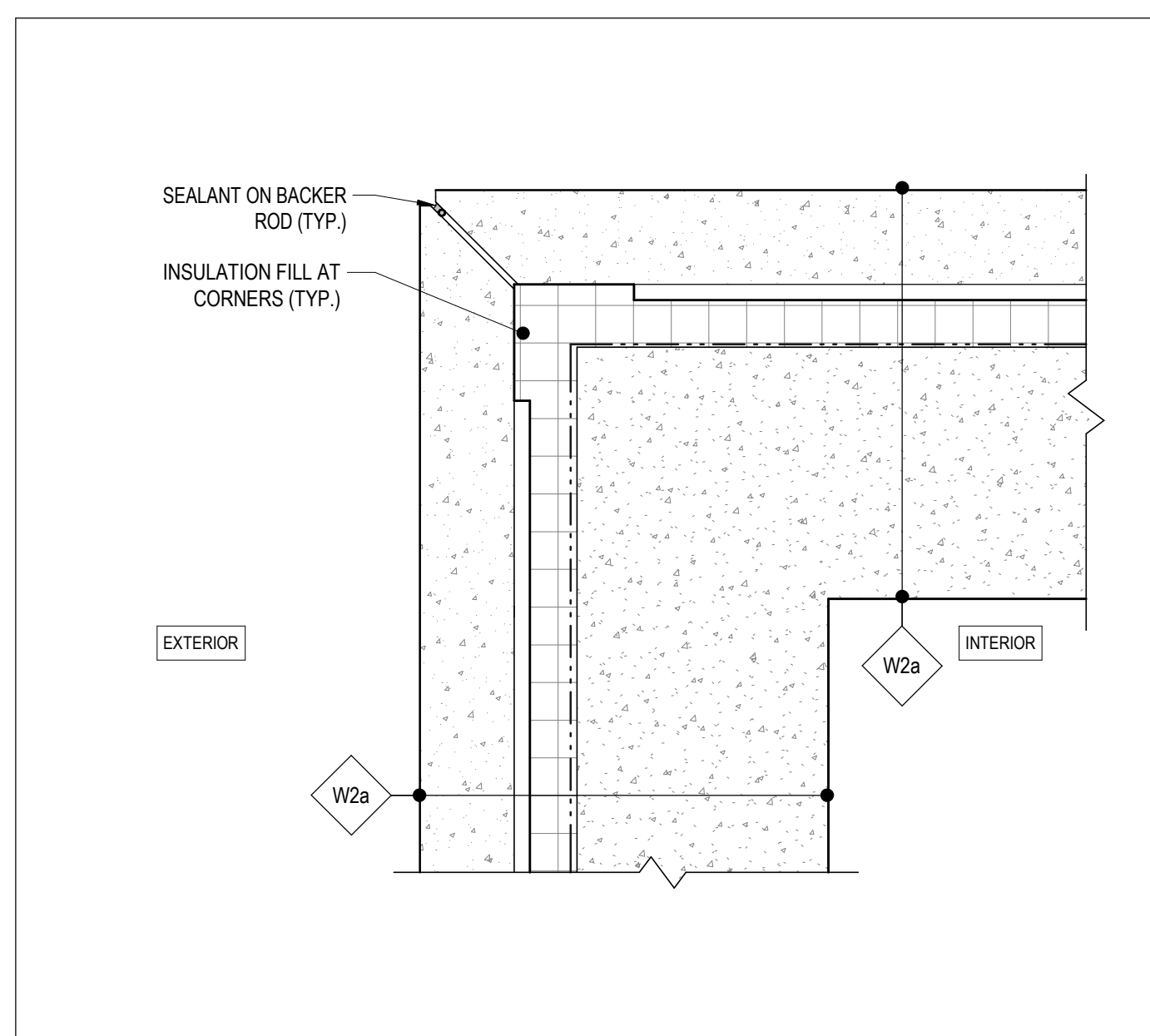
11 TYP. GUARDRAIL STUB DETAIL @ R1 AND R2

A5002 SCALE: 1:10



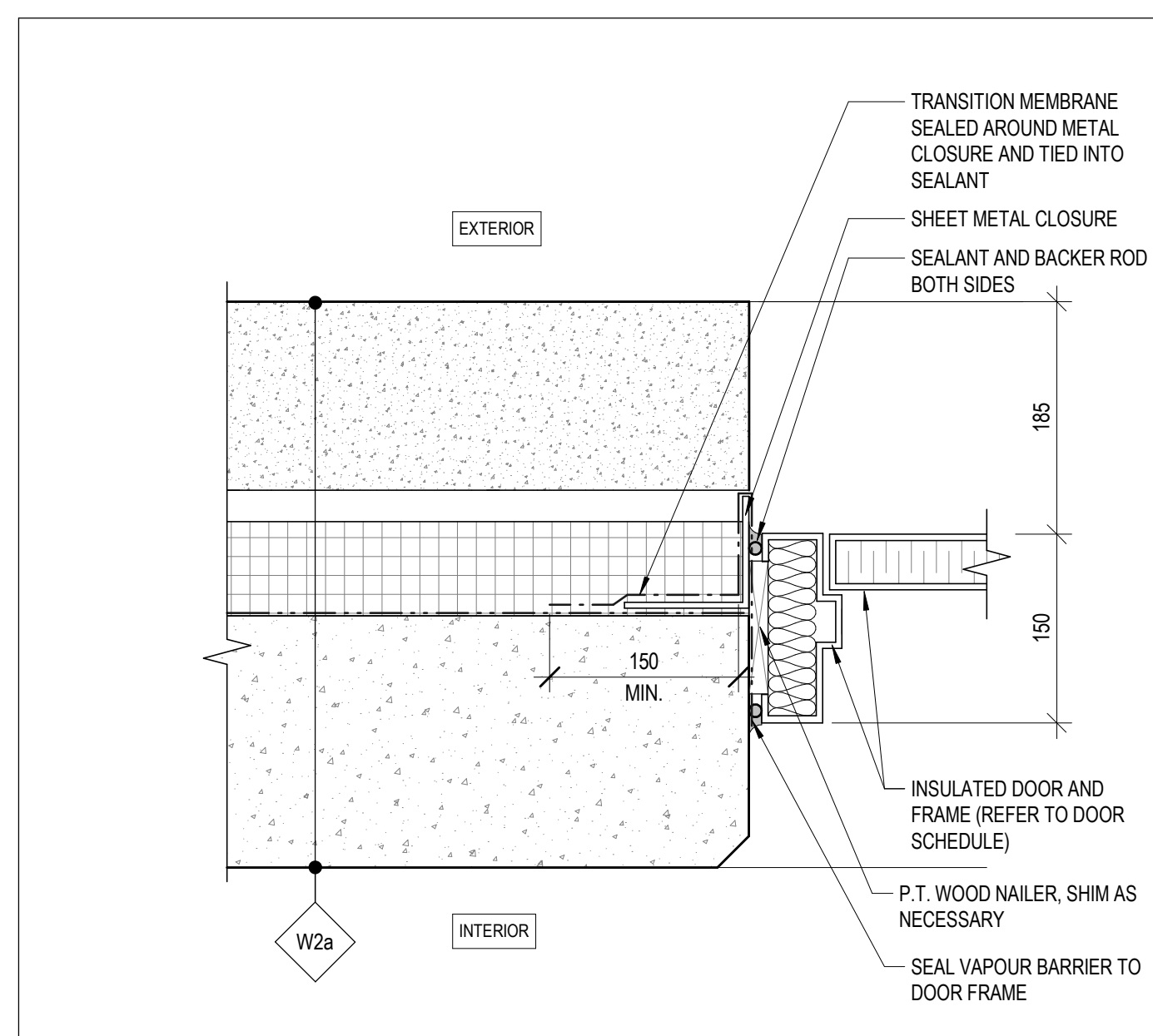
1 TYP. EXT. DOOR @ R2 ROOF TYPE

A5002 SCALE: 1:5



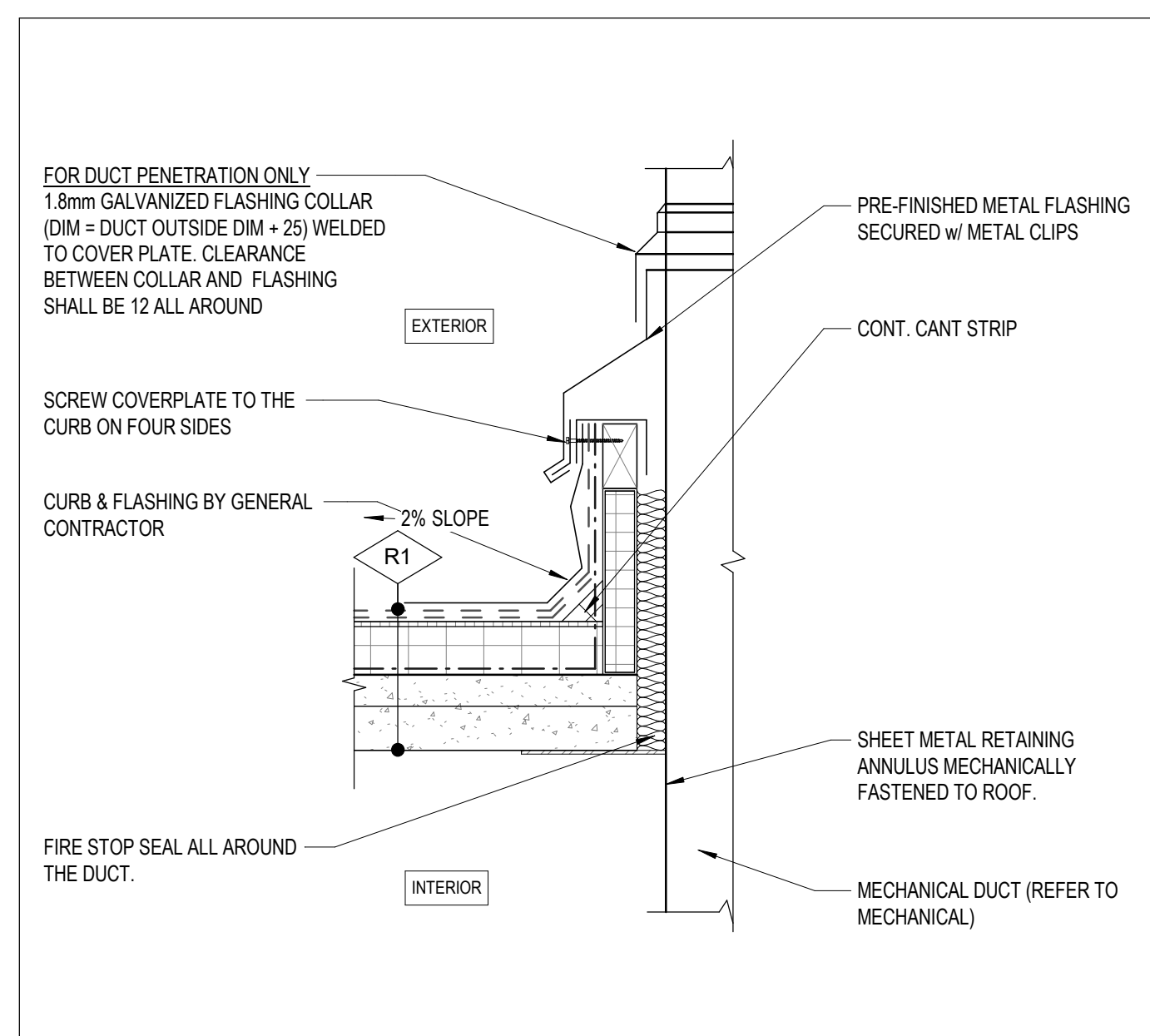
4 TYP. PRECAST CORNER WALL DETAIL

A5002 SCALE: 1:10



7 TYP. EXT. DOOR JAMB DETAIL

A5002 SCALE: 1:5

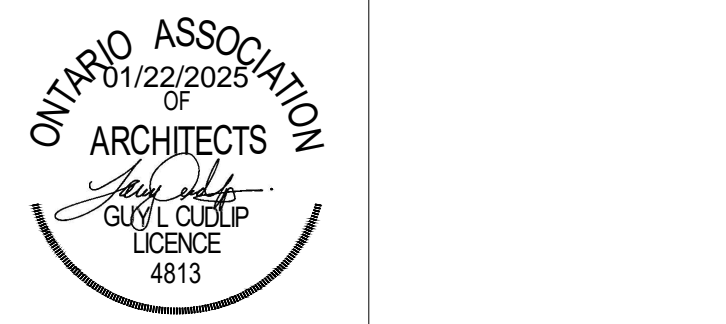


10 TYP. HATCH PENETRATION DETAIL

A5002 SCALE: 1:10

- NOTES:
1. ALL MISCELLANEOUS METALS AND ANCHORS TO BE GALVANISED IN NON-CLASSIFIED SPACES (REFER TO LIFE SAFETY PLANS FOR LOCATION OF CLASSIFIED SPACES)
 2. ALL MISCELLANEOUS METALS AND ANCHORS TO BE STAINLESS STEEL IN CLASSIFIED SPACES (REFER TO LIFE SAFETY PLANS FOR LOCATION OF CLASSIFIED SPACES)

DATE	NO.	REVISION
2025/01/23	2	ISSUED FOR TENDER
2024/06/23	1	ISSUED FOR ECA APPROVAL



CONSULTANT:

800 SECOND STREET WEST
CORNWALL, ONTARIO CANADA, K6J 1H6
TEL: 613-935-3775 | FAX: 613-935-6450
WEBSITE: EVBengineering.com

SUB-CONSULTANT:

C2 Architecture Inc.
415 Baseline Road West
Bowmanville, ON L1C 5M2
☎ 905.697.4464

CLIENT:

Greater Napanee
GRANDS FOR BAYTOWN

PROJECT:

NEW NAPANEE WPCP

TITLE:

PLAN DETAILS & ROOF SECTION DETAILS

SCALE: As indicated	JOB NO: 22001
DESIGNED BY: LC	DATE: 2025/01/23
DRAWN BY: BB / CH	DRAWING NO.:
CHECKED BY: JB	A5002

2025-01-22 1:44:07 PM Autodesk Docs://22001 - Napanee New WPCP/24 - Napanee WPCP_Site.rvt

ROOM FINISH SCHEDULE*										
ROOM NUMBER	ROOM NAME	FLOOR FINISH	RAMP TEST RATING	BASE FINISH	WALL FINISH				CEILING FINISH	COMMENTS
					NORTH	EAST	SOUTH	WEST		
1101	OFFICE	LIQUID HARDENER	R9	TP RUBBER	INT 9.2C	INT 9.2C	INT 4.2C	INT 4.2C	N/A	
1102	WOMEN'S WASHROOM	LIQUID SEALER	R12	TP RUBBER	INT 4.2G	INT 4.2G	INT 4.2G	INT 4.2G	INT 4.2G	
1103	BARRIER FREE WASHROOM	LIQUID SEALER	R12	TP RUBBER	INT 4.2F	INT 4.2F	INT 4.2F	INT 4.2F	N/A	
1104	MEN'S WASHROOM	LIQUID SEALER	R12	TP RUBBER	INT 4.2G	INT 4.2G	INT 4.2G	INT 4.2G	INT 4.2G	
1105	LABORATORY ROOM	LIQUID HARDENER	R9	TP RUBBER	INT 4.2G	INT 9.2L	INT 4.2G	INT 4.2G	N/A	
1106	ELECTRICAL ROOM	EXPOSED	R9	NONE	EXPOSED	EXPOSED	EXPOSED	EXPOSED	NONE	ALL EXPOSED CONCRETE WALLS TO HAVE SACK-RUBBED FINISH
1107	MECHANICAL ROOM	EXPOSED	R9	NONE	EXPOSED	EXPOSED	EXPOSED	EXPOSED	NONE	ALL EXPOSED CONCRETE WALLS TO HAVE SACK-RUBBED FINISH
1108	LUNCH ROOM	LIQUID SEALER	R9	TP RUBBER	INT 4.2C	INT 4.2C	INT 4.2C	INT 9.2C	N/A	
1109	LAUNDRY ROOM	LIQUID SEALER	R9	TP RUBBER	INT 4.2C	INT 4.2C	INT 4.2C	INT 3.1E	N/A	
1110	JANITOR ROOM	LIQUID SEALER	R11	TP RUBBER	EXPOSED	EXPOSED	EXPOSED	EXPOSED	NONE	ALL EXPOSED CONCRETE WALLS TO HAVE SACK-RUBBED FINISH
1111	OFFICE	LIQUID HARDENER	R9	TP RUBBER	INT 9.2C	INT 4.2C	INT 4.2C	INT 9.2C	N/A	
1112	VESTIBULE	LIQUID HARDENER	R9	TP RUBBER	INT 9.2C	INT 4.2C	NONE	INT 4.2C	N/A	
1113	CORRIDOR	LIQUID HARDENER	R9	TP RUBBER	INT 4.2C	INT 4.2C	INT 4.2C	INT 4.2C	N/A	
1201	HEADWORKS ROOM	HVY EPOXY SYSTEM 1	R11	HVY EPOXY SYSTEM 1	INT 3.1L	INT 3.1L	INT 3.1L	INT 3.1L	NONE	APPLY BASE FINISH TO 300mm AFF
1202	ELECTRICAL ROOM	EXPOSED	R9	NONE	EXPOSED	EXPOSED	EXPOSED	EXPOSED	NONE	ALL EXPOSED CONCRETE WALLS TO HAVE SACK-RUBBED FINISH
3101	CONNECTING PASSAGE	LIQUID HARDENER	R9	N/A	INT 3.1L	INT 4.2	INT 3.1L / INT 4.2K	INT 3.1L	EXPOSED CONCRETE	
3102	STAIR A	LIQUID HARDENER	R9	N/A	INT 4.2K	INT 3.1L	INT 3.1L	INT 3.1L	EXPOSED CONCRETE	
3103	AGS PIPING GALLERY	LIQUID HARDENER	R9	N/A	INT 3.1L	INT 3.1L	INT 3.1L	INT 3.1L	EXPOSED CONCRETE	APPLY INT 4.2K TO EXTERIOR FACE OF MECHANICAL ROOM
3104	MECHANICAL ROOM	LIQUID HARDENER	R9	N/A	EXPOSED CONCRETE	EXPOSED CONCRETE	EXPOSED CONCRETE	EXPOSED CONCRETE	EXPOSED CONCRETE	ALL EXPOSED CONCRETE WALLS TO HAVE SACK-RUBBED FINISH
3105	PIPING SERVICE AREA	LIQUID HARDENER	R10	N/A	INT 3.1L	INT 3.1L	INT 3.1L	INT 3.1L	EXPOSED CONCRETE	
3106	DOSING TANKS	CHEM TYPE 3	R11	CHEM TYPE 4	INT 3.1L	INT 3.1L	INT 4.2K	INT 4.2K	EXPOSED CONCRETE	BASE FINISH TO 300mm AFF
3201	WAS THICKENER ROOM	CHEM TYPE 3	R11	CHEM TYPE 4	INT 3.1L	INT 4.2K	INT 4.2K	INT 3.1L	EXPOSED CONCRETE	BASE FINISH TO 1000mm AFF
3202	ELECTRICAL ROOM	LIQUID HARDENER	R9	N/A	INT 4.2K	INT 4.2K	INT 4.2K	INT 3.1L	EXPOSED CONCRETE	
3203	BLOWER ROOM	LIQUID HARDENER	R9	N/A	INT 4.2K	INT 3.1L	INT 3.1L	INT 3.1L	EXPOSED CONCRETE	
3204	STAIR A	LIQUID HARDENER	R9	N/A	INT 3.1L	INT 3.1L	INT 3.1L	INT 3.1L	EXPOSED CONCRETE	
3205	CORRIDOR	LIQUID HARDENER	R9	N/A	INT 3.1L	INT 3.1L	INT 4.2K	INT 4.2K	EXPOSED CONCRETE	APPLY INT 4.2K TO NORTH FACE OF CMU ALONG CORRIDOR LENGTH
4001	FILTER ROOM	LIQUID HARDENER	R9	N/A	EXPOSED CONCRETE	EXPOSED CONCRETE	EXPOSED CONCRETE	EXPOSED CONCRETE	EXPOSED CONCRETE	ALL EXPOSED CONCRETE WALLS TO HAVE SACK-RUBBED FINISH
4101	UV ROOM	LIQUID HARDENER	R9	N/A	EXPOSED CONCRETE	EXPOSED CONCRETE	EXPOSED CONCRETE	EXPOSED CONCRETE	EXPOSED CONCRETE	ALL EXPOSED CONCRETE WALLS TO HAVE SACK-RUBBED FINISH
4102	LOADING BAY	LIQUID HARDENER	R11	N/A	EXPOSED CONCRETE	EXPOSED CONCRETE	EXPOSED CONCRETE	EXPOSED CONCRETE	EXPOSED CONCRETE	ALL EXPOSED CONCRETE WALLS TO HAVE SACK-RUBBED FINISH
4103	STORAGE	LIQUID HARDENER	R9	N/A	EXPOSED CONCRETE	EXPOSED CONCRETE	EXPOSED CONCRETE	EXPOSED CONCRETE	EXPOSED CONCRETE	ALL EXPOSED CONCRETE WALLS TO HAVE SACK-RUBBED FINISH
4104	ELECTRICAL ROOM	LIQUID HARDENER	R9	N/A	EXPOSED CONCRETE	EXPOSED CONCRETE	EXPOSED CONCRETE	EXPOSED CONCRETE	EXPOSED CONCRETE	ALL EXPOSED CONCRETE WALLS TO HAVE SACK-RUBBED FINISH
4105	STAIRS	LIQUID HARDENER	R9	N/A	EXPOSED CONCRETE	EXPOSED CONCRETE	EXPOSED CONCRETE	EXPOSED CONCRETE	EXPOSED CONCRETE	ALL EXPOSED CONCRETE WALLS TO HAVE SACK-RUBBED FINISH
4201	MEZZANINE	LIQUID HARDENER	R9	N/A	EXPOSED CONCRETE	EXPOSED CONCRETE	EXPOSED CONCRETE	EXPOSED CONCRETE	EXPOSED CONCRETE	ALL EXPOSED CONCRETE WALLS TO HAVE SACK-RUBBED FINISH

DOOR SCHEDULE*																		
DOOR NUMBER	FROM ROOM NO.	TO ROOM NO.	PANEL		TYPE	MATERIAL	FINISH	FRAME			HARDWARE GROUP	FIRE RATING	STC RATING	ELECTRIFICATION	HEAD DETAIL	JAMB DETAIL	SILL DETAIL	COMMENTS
			WIDTH	HEIGHT				TYPE	MATERIAL	FINISH								
D-1101A	1113	1101	965	2190	A	HM	PT-INT 5.3D	5i	HM	PT-INT 5.3D	CL1, H1, E01, DS2, TH1, DT1, WS1	N/A	-		6 / A0002	5 / A0002	-	
D-1102A	1113	1102	965	2190	A	HM	PT-INT 5.3D	5i	HM	PT-INT 5.3D	CL1, H1, E01, DS2, TH1, DT1, WS1	N/A	-		6 / A0002	5 / A0002	-	
D-1103A	1113	1103	965	2190	A	HM	PT-INT 5.3D	5i	HM	PT-INT 5.3D	CL1, H1, E01, DS2, TH1, DT1, WS1	N/A	-	PO	6 / A0002	5 / A0002	-	
D-1104A	1113	1104	965	2190	A	HM	PT-INT 5.3D	5i	HM	PT-INT 5.3D	CL1, H1, E01, DS2, TH1, DT1, WS1	N/A	-		6 / A0002	5 / A0002	-	
D-1105A	1113	1105	965	2030	C	HM	PT-INT 5.3D	1	HM	PT-INT 5.3D	CL1, H1, E01, DS2, TH1, DT1, WS1	N/A	-		6 / A0002	5 / A0002	-	
D-1106A	1113	1106	965	2190	A	HM	PT-INT 5.3D	5i	HM	PT-INT 5.3D	CL1, H1, E01, DS2, TH1, DT1, WS1	N/A	-		6 / A0002	5 / A0002	-	
D-1107A	1113	1107	965	2190	A	HM	PT-INT 5.3D	5i	HM	PT-INT 5.3D	CL1, H1, E01, DS2, TH1, DT1, WS1	N/A	-		6 / A0002	5 / A0002	-	
D-1108A	1113	1108	965	2190	C	HM	PT-INT 5.3D	5i	HM	PT-INT 5.3D	CL1, H1, E01, DS2, TH1, DT1, WS1	N/A	-		6 / A0002	5 / A0002	-	
D-1109A	1113	1109	965	2190	A	HM	PT-INT 5.3D	5i	HM	PT-INT 5.3D	CL1, H1, E01, DS2, TH1, DT1, WS1	N/A	-		6 / A0002	5 / A0002	-	
D-1110A	1113	1110	965	2190	A	HM	PT-INT 5.3D	5i	HM	PT-INT 5.3D	CL1, H1, E01, DS2, TH1, DT1, WS1	N/A	-		6 / A0002	5 / A0002	-	
D-1111A	1113	1111	965	2190	D	HM	PT-INT 5.3D	5i	HM	PT-INT 5.3D	CL1, H1, E01, DS2, TH1, DT1, WS1	N/A	-		6 / A0002	5 / A0002	-	
D-1112A	1112	EXTERIOR	965	2030	C	SG	PT-EXT 5.3D	1g	HM	PT-EXT 5.3D	CL1, H1, E01, DS2, TH1, DT1, WS1	N/A	-	CR, PO, ES	5 / A5001	7 / A5001	4 / A5001	
D-1112B	1113	1112	965	2030	C	HM	PT-INT 5.3D	2i	HM	PT-INT 5.3D	CL2, H2, I02, DS2, TH1, DT1, WS1F	N/A	-	PO	6 / A0002	5 / A0002	-	
D-1113A	1113	EXTERIOR	965	2030	D	HM	PT-EXT 5.3D	1g	HM	PT-EXT 5.3D	CL1, H1, E01, DS2, TH1, DT1, WS1	N/A	-	CR, ES	5 / A5001	7 / A5001	4 / A5001	
D-1201A	1201	EXTERIOR	965	2030	D	FRP	TH-COL	1g	FRP	TH-COL	CL1, DC1, FB1, H1, E01, DS2, TH2, DT1, WS1	N/A	-	CR, ES	5 / A5001	7 / A5001	4 / A5001	
D-1201B	1201	EXTERIOR	965	2030	A	FRP	TH-COL	1g	FRP	TH-COL	CL1, H1, E01, DS2, TH2, DT1, WS1	N/A	-	CR, ES	5 / A5001	7 / A5001	4 / A5001	
D-1201C	1201	EXTERIOR	3000	3000	E	SS	NONE	1r	SS	NONE	CL1, H1, TH2, DT1, WS1WS2	N/A	-	PO	8 / A5001	8 / A5002	7 / A5001	
D-1202A	1202	EXTERIOR	965	2030	B	HM	PT-EXT 5.3D	4g	HM	PT-EXT 5.3D	AS1, CL1, DC1, FB1, H1, E01, DS2, TH2, DT1, WS1	N/A	-	CR, ES	5 / A5001	7 / A5001	4 / A5001	
D-3101A	EXISTING	3101	915	2140	D	HM	PT-INT 5.3D	4i	HM	PT-INT 5.3D	CL1, H1, DS2, TH2, DT1, WS1	1.5 HR	-		5 / A3305	4 / A3101	-	
D-3102A	3101	3102	915	2140	D	HM	PT-INT 5.3D	4i	HM	PT-INT 5.3D	CL2, H2, I02, DS2, TH1, DT1, WS1F	0.75 HR	-		6 / A0002	5 / A0002	-	
D-3102B	3102	EXTERIOR	965	2030	A	HM	PT-EXT 5.3D	3i	HM	PT-EXT 5.3D	CL1, H1, E01, DS2, TH2, DT1, WS1	N/A	-		5 / A5001	7 / A5002	4 / A5001	
D-3103A	3103	3101	965	2030	D	FRP	TH-COL	1e	FRP	TH-COL	AS1, CL1, DC1, FB1, H1, E01, DS2, TH2, DT1, WS1	0.75 HR	-		8 / A0002	7 / A0002	-	
D-3103B	3103	EXTERIOR	3000	3000	E	HM	PT-EXT 5.3D	1r	HM	PT-EXT 5.3D	CL1, H1, TH2, DT1, WS1WS2	N/A	-	PO	8 / A5001	8 / A5002	7 / A5001	
D-3103C	3103	EXTERIOR	965	2030	D	HM	PT-EXT 5.3D	3i	HM	PT-EXT 5.3D	CL1, H1, E01, DS2, TH2, DT1, WS1	N/A	-	CR, ES	5 / A5001	7 / A5002	4 / A5001	
D-3103D	3103	3105	940	2340	B	FRP	TH-COL	7i	FRP	TH-COL	CL1, H1, E01, DS2, TH2, DT1, WS1	N/A	-		8 / A0002	7 / A0002	-	
D-3103E	3103	3105	940	2340	B	FRP	TH-COL	7i	FRP	TH-COL	CL1, H1, E01, DS2, TH2, DT1, WS1	N/A	-		8 / A0002	7 / A0002	-	
D-3104A	3103	3104	1040	2340	B	HM	PT-INT 5.3D	6i	HM	PT-INT 5.3D	AS1, CL1, DC1, FB1, H1, E01, DS2, TH2, DT1, WS1	1.5 HR	-		6 / A0002	5 / A0002	-	
D-3201A	3201	EXTERIOR	965	2030	A	FRP	TH-COL	3g	FRP	TH-COL	CL1, H1, E01, DS2, TH2, DT1, WS1	N/A	-	CR, ES	5 / A5001	7 / A5002	4 / A5001	
D-3201B	3201	EXTERIOR	3000	3000	E	SS	NONE	1r	SS	NONE	CL1, H1, TH2, DT1, WS1WS2	N/A	-	PO	8 / A5001	8 / A5002	7 / A5001	
D-3202A	3205	3202	940	2340	B	HM	PT-INT 5.3D	7i	HM	PT-INT 5.3D	AS1, CL1, DC1, FB1, H1, E01, DS2, TH2, DT1, WS1	0.75 HR	-		8 / A0002	7 / A0002	-	
D-3202C	3203	EXTERIOR	3000	3000	E	ALUM	PT-EXT 5.3D	1r	HM	PT-EXT 5.3D	CL1, H1, TH2, DT1, WS1WS2	N/A	-	PO	8 / A5001	8 / A5002	7 / A5001	
D-3203A	3205	3203	940	2340	B	HM	PT-INT 5.3D	7i	HM	PT-INT 5.3D	AS1, CL1, DC1, FB1, H1, E01, DS2, TH2, DT1, WS1	N/A	-		6 / A0002	5 / A0002	-	
D-3204A	3205	3204	965	2030	D	HM	PT-INT 5.3D	1e	HM	PT-INT 5.3D	CL1, H1, E01, DS2, TH2, DT1, WS1	0.75 HR	-		8 / A0002	7 / A0002	-	
D-3205A	3205	EXTERIOR	965	2030	B	HM	PT-EXT 5.3D	6g	HM	PT-EXT 5.3D	AS1, CL1, DC1, FB1, H1, E01, DS2, TH2, DT1, WS1	N/A	-		5 / A5001	7 / A5002	4 / A5001	
D-3205B	3205	EXTERIOR	965	2030	D	HM	PT-EXT 5.3D	3i	HM	PT-EXT 5.3D	CL1, H1, E01, DS2, TH2, DT1, WS1	N/A	-	CR, ES	5 / A5001	7 / A5002	4 / A5001	
D-4001A	4001	4002	965	2030	D	HM	PT-INT 5.3D	3i	HM	PT-INT 5.3D	CL2, H2, I02, DS2, TH1, DT1, WS1F	45 MIN	-		8 / A0002	7 / A0002	-	
D-4101A	4101	EXTERIOR	965	2030	D	HM	PT-EXT 5.3D	3g	HM	PT-EXT 5.3D	CL2, H2, I02, DS2, TH1, DT1, WS1F	45 MIN	-		5 / A5001	7 / A5002	4 / A5001	
D-4101B	4101	EXTERIOR	915	2030	B	HM	PT-EXT 5.3D	6g	HM	PT-EXT 5.3D	CL2, H2, I02, DS2, TH1, DT1, WS1F	45 MIN	-		5 / A5001	7 / A5002	4 / A5001	
D-4102A	4102	EXTERIOR	965	2030	D	HM	PT-EXT 5.3D	3g	HM	PT-EXT 5.3D	CL2, H2, I02, DS2, TH1, DT1, WS1F	45 MIN	-		5 / A5001	7 / A5002	4 / A5001	
D-4102B	4102	EXTERIOR	965	2440	A	HM	PT-EXT 5.3D	2e	HM	PT-EXT 5.3D	CL2, H2, I02, DS2, TH1, DT1, WS1F	45 MIN	-	CR, ES	5 / A5001	7 / A5002	4 / A5001	
D-4102C	4102	EXTERIOR	5200	3790	E	ALUM	PT-EXT 5.3D	2r	HM	PT-EXT 5.3D	CL1, H1, TH2, DT1, WS1WS2	N/A	-	PO	8 / A5001	8 / A5002	7 / A5001	
D-4102D	4102	4105	865	2030	A	HM	PT-INT 5.3D	2i	HM	PT-INT 5.3D	CL2, H2, I02, DS2, TH1, DT1, WS1F	45 MIN	-		8 / A0002	7 / A0002	-	
D-4103A	4103	EXTERIOR	915	2440	B	HM	PT-EXT 5.3D	3e	HM	PT-EXT 5.3D	CL2, H2, I02, DS2, TH1, DT1, WS1F	45 MIN	-	CR, ES	5 / A5001	7 / A5002	4 / A5001	
D-4103B	4103	4105	865	2030	A	HM	PT-INT 5.3D	2i	HM	PT-INT 5.3D	CL2, H2, I02, DS2, TH1, DT1, WS1F	45 MIN	-		8 / A0002	7 / A0002	-	
D-4104A	4104	EXTERIOR	915	2440	B	HM	PT-EXT 5.3D	3e	HM	PT-EXT 5.3D	CL2, H2, I02, DS2, TH1, DT1, WS1F	45 MIN	-		5 / A5001	7 / A5002	4 / A5001	
D-4105A	4105	EXTERIOR	965	2440	D	HM	PT-EXT 5.3D	2e	HM	PT-EXT 5.3D	CL2, H2, I02, DS2, TH1, DT1, WS1F	45 MIN						

GENERAL NOTES

- 1. READ STRUCTURAL DRAWINGS IN CONJUNCTION WITH THE REMAINDER OF THE CONTRACT DRAWINGS AND DOCUMENTS.
2. VERIFY ALL DIMENSIONS ON THE STRUCTURAL DRAWINGS WITH THE REMAINDER OF THE CONTRACT DRAWINGS BEFORE CONSTRUCTION.
3. DO NOT SCALE DRAWINGS.
4. DESIGN LOADS INDICATED ARE UNFACTORED UNLESS NOTED OTHERWISE.
5. DESIGN LIVE LOADS FOR EACH PORTION OF THE STRUCTURE ARE SHOWN. DO NOT EXCEED THESE LOADS DURING CONSTRUCTION.
6. STRUCTURAL DESIGN IS BASED ON THE LATEST EDITION OF THE NATIONAL AND ONTARIO BUILDING CODES.
7. SUBSTRUCTURES AND WATER RETAINING TANKS, HAVE BEEN DESIGNED IN ACCORDANCE WITH CODE REQUIREMENTS FOR ENVIRONMENTAL CONCRETE STRUCTURES USING (ACI) 350-20 AND CSA S900.2-21, EXCEPT WHERE IT WAS NOT CONSIDERED APPLICABLE.
8. FEATURES OF CONSTRUCTION NOT FULLY SHOWN ARE OF THE SAME CHARACTER AS THOSE NOTED FOR SIMILAR CONDITIONS.

FOUNDATION

- 1. REFER TO GEOTECHNICAL REPORT PREPARED BY THURBER ENGINEERING LTD. FILE NO. 40745 DATED JANUARY 2025.
2. FOUND ALL FOOTINGS ON NATURALLY CONSOLIDATED UNDISTURBED SOIL CAPABLE OF SUSTAINING THE FOLLOWING NET BEARING CAPACITIES:
HEADWORKS BUILDING FOOTINGS: 125 kPa SLS, 225 kPa ULS
HEADWORKS INTERIOR CHANNELS: 125 kPa SLS, 225 kPa ULS
VORTEX TANK: 125 kPa SLS, 300 kPa ULS
INFLUENT PUMPING STATION: 1000 kPa SLS, 1000 kPa ULS
SLUDGE BUFFER TANKS: 125 kPa SLS, 300 kPa ULS
AGS TANKS: 150 kPa SLS, 225 kPa ULS
OPERATION BUILDING: 150 kPa SLS, 225 kPa ULS
TERTIARY/UV BUILDING: 150 kPa SLS, 225 kPa ULS
3. SOIL BEARING CAPACITY SPECIFIED MUST BE VERIFIED BY THE GEOTECHNICAL ENGINEER PRIOR TO THE PLACING OF THE FOUNDATIONS AND ANY NON-CONFORMANCE WITH THE SPECIFIED MINIMUM CAPACITIES MUST BE IMMEDIATELY REPORTED TO THE STRUCTURAL ENGINEER.
4. FOUND FOOTINGS WHICH ARE EXPOSED TO FREEZING WEATHER A MINIMUM OF 1200mm BELOW FINISHED GRADE UNLESS SPECIFIED OTHERWISE.
5. THE DESIGN OF TEMPORARY WORKS IS THE RESPONSIBILITY OF THE CONTRACTOR. THE CONTROL OF THE GROUND WATER SHALL BE CARRIED OUT BY A SPECIALIZED FOUNDATION CONSULTANT, ENGAGED BY THE CONTRACTOR.
6. THE SPECIALIZED FOUNDATION CONSULTANTS SHALL BE RESPONSIBLE FOR THE DESIGN, INSTALLATION, TESTING, MONITORING AND, IF REQUIRED, REMOVAL OF TEMPORARY SHORING AND DEWATERING SYSTEMS.
7. A SHORING SYSTEM IS NOT REQUIRED IF THE SAFE INCLINATION OF THE SIDES OF THE EXCAVATION IS PROVIDED IN ACCORDANCE WITH THE GEOTECHNICAL ENGINEER'S RECOMMENDATIONS.
8. PROTECT SOIL FROM FREEZING ADJACENT TO AND BELOW ALL FOOTINGS.
9. BACKFILL AGAINST FOUNDATION WALL IN SUCH A MANNER THAT THE LEVEL OF BACKFILL ON ONE SIDE OF THE WALL IS NEVER MORE THAN 450 mm DIFFERENCE FROM THE LEVEL ON THE OTHER SIDE OF THE WALL UNLESS TEMPORARY SUPPORT FOR THE WALL IS PROVIDED.
10. SOFT AREAS UNCOVERED ON EXCAVATION SHALL BE SUB EXCAVATED TO SOUND MATERIAL AND FILLED WITH GRANULAR 'A' SOIL COMPACTED TO 100% STANDARD PROCTOR DRY DENSITY.
11. DO NOT EXCEED A RISE OF 7 IN A RUN OF 10 IN THE LINE OF SLOPE BETWEEN ADJACENT FOOTING EXCAVATIONS OR ALONG STEPPED FOOTINGS.
12. PLACE SLAB ON GRADE ON SOIL CAPABLE OF SUSTAINING 25kPa WITHOUT SETTLEMENT RELATIVE TO THE BUILDING FOOTINGS.

SHORING

- 1. THE SITE CONDITIONS WILL NOT PERMIT AN OPEN EXCAVATION FOR THE STRUCTURES NOTED ON THE DRAWINGS.
2. ALL SIDES OF THE EXCAVATION MUST BE BRACED OR SHORED TO MAINTAIN STRICT ADHERENCE TO THE OCCUPATIONAL HEALTH AND SAFETY ACT.
3. THE LINE OF THE SHORING SHOWN ON THE DRAWING HAS BEEN PROVIDED AS A GUIDE INDICATING THE GENERAL EXTENT AND LOCATION OF THE SYSTEM.
4. THE CONTRACTOR SHALL ENGAGE A STRUCTURAL ENGINEER TO DESIGN AND INSPECT THE SHORING SYSTEM.
5. THE CONTRACTOR SHALL ENGAGE A GEOTECHNICAL ENGINEER TO REVIEW AND CARRY OUT AN ASSESSMENT OF THE SITE CONDITIONS.
6. THE STRUCTURAL ENGINEER SHALL SUBMIT SEALED COPIES OF THE DESIGN DRAWINGS FOR REVIEW BY THE OWNER'S ENGINEER BEFORE PROCEEDING WITH THE WORK.
7. THE CONTRACTOR SHALL NOT DISTURB OR DAMAGE ADJACENT PROPERTIES DURING EXCAVATION CONSTRUCTION, BACKFILL OR COMPACTION OPERATIONS.
8. ALL EXCAVATION LIMITS SHALL BE WITHIN THE SITE FENCED LIMITS AND SHALL NOT EXPOSE ANY BURIED UTILITIES IN ADJACENT ROADS.
9. THE CONTRACTOR SHALL PROVIDE FOR CONDUCTING PRECONDITION SURVEYS OF EXISTING ADJACENT BUILDINGS AND FOR DESIGNING APPROPRIATE CONSTRUCTION METHODS TO AVOID DAMAGE TO THESE BUILDINGS AND/OR PREMISES.

CAST-IN-PLACE CONCRETE

- 1. DO CONCRETE WORK IN ACCORDANCE WITH THE LATEST VERSION OF THE APPLICABLE CODES AND STANDARDS AS REQUIRED BY THE PROJECT SPECIFICATION.
2. THE DESIGN REQUIREMENTS FOR THE VARIOUS CONCRETE MIX DESIGNS INDICATED SHALL CONFORM TO THE CHARACTERISTICS DESCRIBED IN THE PROJECT SPECIFICATIONS.
3. MINIMUM 28 DAY COMPRESSIVE STRENGTH:
STRUCTURAL CONCRETE: 30 MPa
FILL CONCRETE: 20 MPa
BENCHING: 30 MPa
4. ALL REINFORCING BAR SHALL BE GRADE 400 MPa, DEFORMED, CAN/CSA-G30.18.
5. DEFORMED WELDED WIRE FABRIC SHALL CONFORM TO ASTM A1064/A1064M.
6. FORMWORK AND TOLERANCES IN ACCORDANCE WITH THE LATEST VERSION OF THE APPLICABLE CODES AND STANDARDS AS REQUIRED BY THE PROJECT SPECIFICATIONS.
7. SUBMIT REINFORCING DIAGRAMS BEFORE FABRICATION FOR REVIEW BY THE ENGINEER.
8. REINFORCING IS TO BE GENERALLY DETAILED IN ACCORDANCE WITH RSIC. MANUAL OF STANDARD PRACTICE (LATEST EDITION). SPLICES SHALL CONFORM TO 'TABLE OF CLASS 'B' TENSION LAPS AND STANDARD 90° HOOKS' PROVIDED ON THE DRAWINGS.
9. THE CLEAR DISTANCE BETWEEN REINFORCING STEEL AND SURFACE OF CONCRETE SHALL BE AS FOLLOWS:
FORMED CONCRETE NOT EXPOSED TO WATER OR WEATHER: 60mm
FORMED CONCRETE EXPOSED TO WATER, WEATHER OR EARTH: 60mm
CONCRETE PLACED AGAINST MUD MAT: 60mm
CONCRETE PLACED AGAINST EARTH: 75mm
10. MAXIMUM NOMINAL AGGREGATE SIZE SHALL NOT BE MORE THAN 20 mm.
11. UNLESS INDICATED OTHERWISE, ALL DOWELS SHALL HAVE THE SAME SIZE AND SPACING AS THE REINFORCING STEEL TO WHICH THEY ARE SPLICED, AND SHALL HAVE A MINIMUM LAP L1.
12. ALL REINFORCING STEEL PLACEMENT TO BE INSPECTED BY THE ENGINEER BEFORE PLACING THE CONCRETE.
13. NO WELDING OF REINFORCING BARS SHALL BE PERMITTED, UNLESS APPROVAL IS OBTAINED FROM THE ENGINEER PRIOR TO CONSTRUCTION.
14. PROTECT ALL AREAS WHERE CONCRETE IS TO BE PLACED WITH A MINIMUM OF 50mm THICK 'MUD' SLAB WHICH WILL FUNCTION AS A WORKING MAT ONLY AND WILL NOT BE CONSIDERED TO PROVIDE A CONTRIBUTION TO THE OVERALL SLAB THICKNESS.
15. DO NOT SAWCUT THE SLAB ON GRADE OR OTHER FLOORS, UNLESS SPECIFICALLY SHOWN AND DETAILED ON THE DESIGN DRAWINGS.
16. ALL REINFORCING BARS SHALL BE SUPPORTED IN THE FORMS AND SPACED WITH STANDARD ACCESSORIES SO THAT THERE IS NO MOVEMENT DURING CONCRETE PLACEMENT.
17. PROVIDE REINFORCING DOWELS PROJECTING FROM CAST-IN-PLACE CONCRETE INTO BLOCK WALLS TO MATCH VERTICAL REINFORCING IN BLOCK WALLS.

CONSTRUCTION JOINTS

- 1. CONSTRUCTION JOINTS SHALL BE LOCATED SO AS NOT TO IMPAIR THE STRENGTH OF THE STRUCTURE.
2. WHERE A CONSTRUCTION JOINT IS TO BE MADE, THE SURFACE OF THE SET CONCRETE SHALL BE THOROUGHLY CLEANED OF FOREIGN MATTER AND LAITANCE USING MECHANICAL ABRASION, SATURATED WITH WATER AND LEFT IN A DAMP CONDITION WITH NO FREE WATER ON THE SURFACE IMMEDIATELY BEFORE PLACING ADJACENT CONCRETE.
3. REINFORCING STEEL PROJECTING THROUGH CONSTRUCTION JOINT SHALL BE THOROUGHLY CLEANED OF LOOSE, FLAKY RUST, MUD, OIL, AND DRIED CONCRETE OR OTHER COATINGS WHICH WOULD REDUCE BOND, USING MECHANICAL ABRASION OR SAND BLASTING, OF THE SURFACE OF THE STEEL.
4. A CONTINUOUS 150mm WIDE WATERSTOP MUST BE PROVIDED AT ALL CONSTRUCTION JOINT LOCATIONS WHERE WATER TIGHTNESS IS REQUIRED.

STRUCTURAL PRECAST CONCRETE

- 1. STRUCTURAL PRECAST ELEMENTS SHALL BE FABRICATED BY A MANUFACTURING PLANT CERTIFIED BY THE CANADA STANDARDS ASSOCIATION IN THE APPROPRIATE CATEGORIES, ACCORDING TO CSA STANDARDS A251.
2. CONCRETE SHALL CONFORM TO CAN-A23.3 (LATEST) AND BE OF MINIMUM STRENGTH AT 28 DAYS OR FOLLOWING ELEMENTS:
DOUBLE TEES: 35MPa
RECT. BEAMS AND L BEAMS: 40MPa OR AS RECOMMENDED BY SPECIALIST
3. PRESTRESSING STEEL SHALL CONFORM TO CSA G279 (LATEST EDITION) AND BE STRESS-RELIEVED 7 WIRE STRAND WITH AN ULTIMATE STRENGTH OF 1720 OR 1860 MPa.
4. THE CONTRACTOR SHALL SUBMIT SHOP DRAWINGS TO THE ENGINEER FOR REVIEW PRIOR TO THE MANUFACTURING OF THE UNITS.
5. ALL OPENINGS THROUGH THE DECK SHALL BE CUT IN THE MANUFACTURING PLANT (NOT ON SITE).
6. FINISHES:
ROOF UNITS: COMMERCIAL GRADE AND EVEN JOINT. FEATHER OUT CAMBER OR OTHER ELEVATION DIFFERENCES AS REQUIRED BY THE ROOFING CONTRACTOR.
COMPOSITE UNITS: MUST HAVE A RAKED FINISH ACROSS THE WIDTH TO PROVIDE COMPOSITE ACTION.
UNDERSIDE: UNITS MUST PRESENT AN EVEN REGULAR APPEARANCE FREE FROM DEFECTS OR STAINS.
NOTE: SUPPLIER SHALL SUPPLY AND INSTALL GROUT ON HORIZONTAL SURFACES AT JOINTS TO PREVENT AN UNEVEN ROOF OR FLOOR FINISH.
7. DOUBLE TEES USED TO CONSTRUCT THE ROOF OF THE STRUCTURE SHALL BE DESIGNED FOR CORROSIVE ENVIRONMENT, AND ALLOWABLE CRACK WIDTHS SHALL BE RESTRICTED TO MEET THIS REQUIREMENT.

PRECAST HOLLOW CORE SLAB

- 1. FOR REQUIRED QUALIFICATIONS FOR PRECAST MANUFACTURER AND FOR PRECAST PRODUCTION FACILITIES SEE THE PROJECT SPECIFICATIONS.
2. THE SLABS, STRAND AND STRESSING PROCEDURES SHALL CONFORM TO THE LATEST EDITION OF THE APPLICABLE CODES AND STANDARDS AS REQUIRED BY THE PROJECT SPECIFICATIONS.
3. PRESTRESSING STEEL SHALL CONFORM TO CSA G279 AND BE STRESS-RELIEVED 7 WIRE STRAND WITH AN ULTIMATE STRENGTH OF 1720 OR 1860 MPa.
4. THE CONTRACTOR SHALL SUBMIT SHOP DRAWINGS TO THE ENGINEER FOR REVIEW PRIOR TO THE MANUFACTURING OF THE UNITS.
5. SUPPLY AND INSTALL BAR REINFORCEMENT IN JOINTS AND ANCHORAGE TO CONCRETE AS WELL AS HARDBOARD BEARING PADS OR AS REQUIRED ON DRAWINGS.
6. OPENINGS: HOLES UP TO 150 mm INCLUDING OPENINGS TO PERMIT PENETRATION OF VERTICAL CONCRETE REINFORCEMENT SHALL BE DRILLED ON SITE.
7. FINISHES TO BE:
FLOOR UNITS: STANDARD GRADE AND EVEN TO RECEIVE FLOORING FINISH.
ROOF UNITS: COMMERCIAL GRADE AND EVEN JOINT. FEATHER OUT CAMBER OR OTHER ELEVATION DIFFERENCES AS REQUIRED BY THE ROOFING CONTRACTOR.
COMPOSITE UNITS: MUST HAVE A RAKED FINISH ACROSS THE WIDTH TO PROVIDE COMPOSITE ACTION.
UNDERSIDE UNITS: MUST PRESENT AN EVEN REGULAR APPEARANCE FREE FROM DEFECTS OR STAINS.
8. SUPPLIER SHALL SUPPLY AND INSTALL GROUT ON HORIZONTAL SURFACES AT JOINTS TO PRESENT AN EVEN ROOF OR FLOOR FINISH.
9. MINIMUM BEARING SHALL BE:
90mm ON MASONRY OR CONCRETE
60mm ON STEEL
10. HOLLOWCORE SLAB PANELS SHALL BE DESIGNED FOR CORROSIVE ENVIRONMENT, AND ALLOWABLE CRACK WIDTHS SHALL BE RESTRICTED TO MEET THIS REQUIREMENT.

MASONRY

- 1. ALL MASONRY CONSTRUCTION SHALL CONFORM TO THE RELEVANT CODES AND STANDARD AS REQUIRED IN THE PROJECT SPECIFICATION.
2. THE MASONRY WORK HAS BEEN DESIGNED IN ACCORDANCE WITH THE LATEST EDITION OF THE APPLICABLE CODES AND STANDARDS AS REQUIRED BY THE PROJECT SPECIFICATIONS.
3. THE CONCRETE BLOCK STRENGTH SHALL BE 15 MPa ON NET AREA.
4. MORTAR SHALL BE TYPE 'S' UNLESS NOTED OTHERWISE.
5. GROUT SHALL SATISFY CSA A179, TABLE 5.
6. NO MASONRY WORK SHALL BE PERMITTED WITH THE TEMPERATURE BELOW 5°C UNLESS PROVISIONS ARE MADE FOR HEATING THE MATERIALS AND WORK AREA AND PROTECTING THE WORK.
7. OBTAIN ENGINEER'S PERMISSION FOR ALL OPENINGS, SLEEVES AND SLOTS OTHER THAN SHOWN ON THE STRUCTURAL DRAWINGS.
8. ALL MASONRY SHALL BE SET WITH FULLY FILLED JOINTS.
9. CELLS TO BE REINFORCED SHALL BE KEPT CLEAN OF MORTAR.
10. PROVIDE A MINIMUM 25 mm GROUT UNDER ALL WALL PLATES AND BASE PLATES AND BEAR ON SOLID MASONRY OF 400 mm (MINIMUM) DEPTH.
11. PROVIDE AND INSTALL LINTELS OVER ALL OPENINGS OR RECESSES IN MASONRY WALLS INCLUDING THOSE FOR MECHANICAL OR ELECTRICAL SERVICES OR EQUIPMENT.
12. PROVIDE A MINIMUM LENGTH OF 200 mm OF 100% SOLID MASONRY UNITS FOR BEARING OF STEEL, CONCRETE OR REINFORCED MASONRY LINTELS.
13. THE CONCRETE CONTRACTOR MUST PROVIDE REINFORCING DOWELS PROJECTING FROM CAST-IN-PLACE CONCRETE INTO BLOCK WALLS TO MATCH VERTICAL REINFORCING IN BLOCK WALLS. LAPS IN REINFORCING:
WIRE REINFORCING 150
10M 600
15M 750
20M 950
25M 1100
14. FILL CELLS CONTAINING VERTICAL REINFORCING WITH GROUT CONTAINING 10 mm AGGREGATE AND UP TO 250 mm SLUMP.
15. FILL CELLS IN 1500mm HIGH LIFTS OR IF CLEANOUTS ARE PROVIDED IN 2400mm HIGH LIFTS.
16. PROVIDE CONTINUOUS LADDER TYPE JOINT REINFORCING AT 400mm c/c AND USE 'CORNER-LOK' AT ALL WALL INTERSECTIONS.
17. SINGLE WYTHE: 4.76m2 WIRES
18. ALL METAL ANCHORS TO SECURE WALLS SHALL BE HOT DIP GALVANIZED.
19. JOINTS IN MASONRY SHALL BE LOCATED AT LEAST 300mm FROM ANY OPENING IN THE WALL, UNLESS SPECIFICALLY NOTED OTHERWISE.

METAL FABRICATIONS

- 1. COMPONENTS SHALL SATISFY THE REQUIREMENTS OF THE PROJECT SPECIFICATIONS.
2. STRUCTURAL STEEL SHAPES SHALL CONFORM TO CSA G40.20/G40.21.
3. HOT-DIP GALVANIZING SHALL CONFORM TO CSA ASTM A123.
4. HIGH STRENGTH BOLTS AND NUTS SHALL CONFORM TO ASTM F1325.
5. ALUMINUM SHALL CONFORM TO CSA S157 WITH ALUMINUM ALLOY 6061-T6.
6. WELDED ALUMINUM CONSTRUCTION SHALL CONFORM TO CSA W59.2.
7. STAINLESS STEEL SHALL CONFORM TO ASTM A276, TYPE 316L.
8. STAINLESS STEEL BOLTS AND NUTS SHALL CONFORM TO ASTM F593, TYP 316L.
9. STAINLESS STEEL WELDING SHALL CONFORM TO CSA W59 AND AWS D1.6.
10. THE WELDING ELECTRODES SHALL CONFORM TO THE REQUIREMENTS OF CSA STANDARD W48 (LATEST EDITION).
11. ALL PIPE SUPPORTS SHALL CONFORM TO ASTM A276, TYPE 304, UNLESS NOTED OTHERWISE.
12. DISSIMILAR METALS IN CONTACT WITH EACH OTHER SHALL BE ISOLATED TO AVOID GALVANIC CORROSION.
13. ALUMINUM IN CONTACT WITH CONCRETE SHALL BE ISOLATED BY APPLYING BITUMINOUS COATING.

DESIGN NOTES

- 1. BUILDING STRUCTURE IMPORTANCE: POST-DISASTER
2. BUILDING LATERAL FORCE SYSTEM: MODERATELY-DUCTILE CONCRETE SHEAR WALLS, Rd = 2.0, Ro = 1.4
3. SEISMIC SITE CLASSIFICATION:
SITE CLASS C: AGS TANKS
SITE CLASS C: OPERATIONS BLDG AND TERTIARY/UV BLDG
SITE CLASS B: VORTEX AND SLUDGE BUFFER TANKS
SITE CLASS A: INTERMEDIATE PUMPING STATION
4. Ie Fa Sa(2.0) = 0.459 (FOR SITE CLASS C)
5. SOIL DENSITY: 22 kN/m³
6. SOIL AT-REST COEFFICIENT: 0.50, UNLESS NOTED OTHERWISE
7. SURCHARGE LOADS: 12 kPa, UNLESS NOTED OTHERWISE
8. DESIGN FLOOD ELEVATION: EL 76.50m
9. INTERNAL WIND PRESSURE = CATEGORY 3
10. ONE-DAY RAINFALL 1/50 = 93mm

CLIMATE DATA FOR NAPANEE
IMPORTANCE CATEGORY: POST DISASTER
LOAD TYPE DESIGN PARAMETERS IMPORTANCE FACTOR
SNOW GROUND SNOW LOAD (1/50 YRD) Ss 1.90kPa
ASSOCIATED RAIN LOAD (1/50 YRS) Sr 0.40 kPa
WIND REFERENCE VELOCITY WIND PRESSURE (1/50 YRS) q 0.43 kPa
EARTHQUAKE PEAK GROUND ACCELERATION PGA 0.139
HORIZONTAL SPECTRAL ACCELERATION VALUES (2% PROBABILITY OF EXCEEDANCE IN 50 YEARS) Sa(0.2) 0.306
Sa(0.5) 0.209
Sa(1.0) 0.118
Sa(2.0) 0.0574

TABLE OF CLASS 'B' TENSION LAPS AND STANDARD 90° HOOKS
Fy = 400MPa, Fc = 35MPa
BAR SIZE STANDARD TENSION LAP SPlice STANDARD 90° HOOK
10M 400mm 500mm 180mm
15M 600mm 700mm 260mm
20M 700mm 900mm 310mm
25M 1100mm 1400mm 400mm
30M 1300mm 1700mm 510mm
35M 1500mm 2000mm 610mm

LEGENDS:

LEGENDS:
GRANULAR TYPE B
BACKFILL
BEDROCK
NATIVE SOIL
BENCHING / LEAN / FILL CONCRETE
NEW CONCRETE
PRECAST CONCRETE
EXISTING CONCRETE
STEEL
CMU
INSULATION
GRATING
CHECKER PLATE

ABBREVIATIONS
ADDTL or ADDL ALUM. or AL
B, PL
BLL
BUL
C/C
CIW
CL
CIP
CONC
CONT
CTRL JT
DET/L or DET
DIAG
DIST.
DL
DP
DWLS
DWG
EF
EJ or EXP JT
ELEC.
EL
EMB
EQ
EQUIP.
EQUIV.
EW
FDN
GALV
GL
H
HEF
HIF
HOF
HORIZ or HOR.
HWL
LL
LL
LL
LONG
ADDITIONAL ALUMINUM BASE PLATE
BOTTOM LOWER LAYER
BOTTOM UPPER LAYER
CENTER TO CENTER
COMPLETE WITH CENTERLINE
CAST IN PLACE CONCRETE
CONTINUOUS CONTROL JOINT
DETAIL
DIAGONAL
DISTANCE
DEAD LOAD
DEEP
DOWELS
DRAWING
EACH FACE
EXPANSION JOINT
ELECTRICAL ELEVATION EMBEDMENT
EQUAL EQUIPMENT EQUIVALENT
EACH WAY FOUNDATION GALVANIZED
GRIDLINE
VOID
HORIZONTAL EACH FACE
HORIZONTAL INSIDE FACE
HORIZONTAL OUTSIDE FACE
W/W
HIGH WATER LEVEL
LENGTH OF REBAR
LIVE LOAD
LONG
MAX MECH MID MIR MIN O/C OPNGS PL R/W RD REINF REQD SIM SDC STAGG STRUCT. SS T or THK T/BEDROCK TIC/NC T/LEDGE T/WALL TEMP TOC TLL TUL TYP T&B UNO VEF VIF VOF VERT W W/W

2025/01/23 2 ISSUED FOR TENDER
2024/08/23 1 ISSUED FOR ECA APPROVAL
DATE NO. REVISION

THE DRAWINGS, ARRANGEMENTS, ANNOTATIONS AND GRAPHICAL PRESENTATIONS ON THIS DOCUMENT ARE THE PROPERTY OF EVB ENGINEERING WHO RETAINS OWNERSHIP AND AUTHORITY OF THIS DOCUMENT IN ITS ENTIRETY. THIS DOCUMENT IS AN INSTRUMENT OF SERVICE AND IS THE INTELLECTUAL AND PHYSICAL PROPERTY OF EVB ENGINEERING. UNAUTHORIZED USE OF THIS DRAWING IS GRANTED SOLELY FOR THE PURPOSE OF THIS SPECIFIC PROJECT AND LOCATION, AND NOT FOR CONSTRUCTION OR USE FOR ANY OTHER PROJECT. COPYRIGHT © 2024 EVB ENGINEERING.



CONSULTANT:
EVB ENGINEERING
800 SECOND STREET WEST
CORNWALL, ONTARIO CANADA, K6J 1H6
TEL: 613-935-3775 | FAX: 613-935-6450
WEBSITE: EVBengineering.com

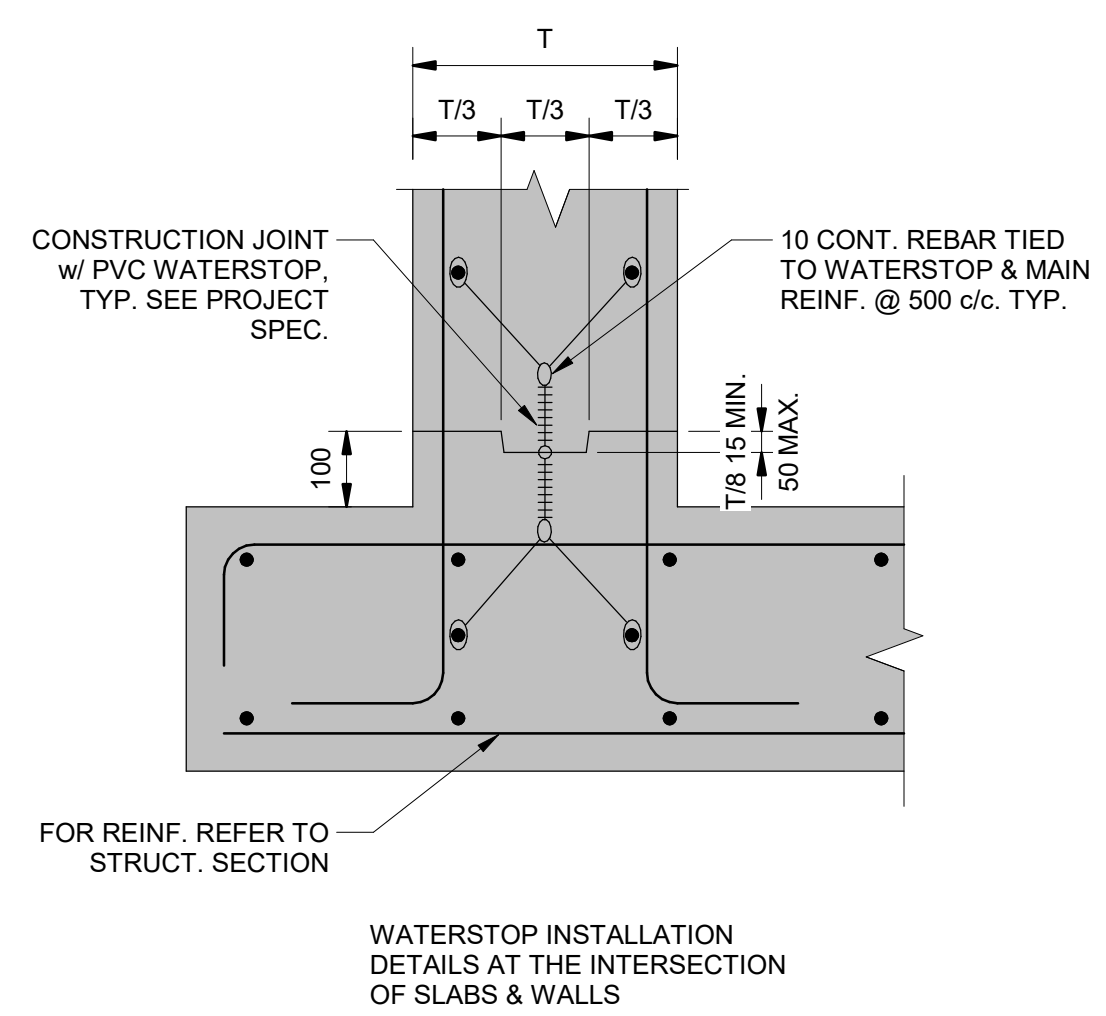


Greater Napanee
SHARED FOR MANY REASONS

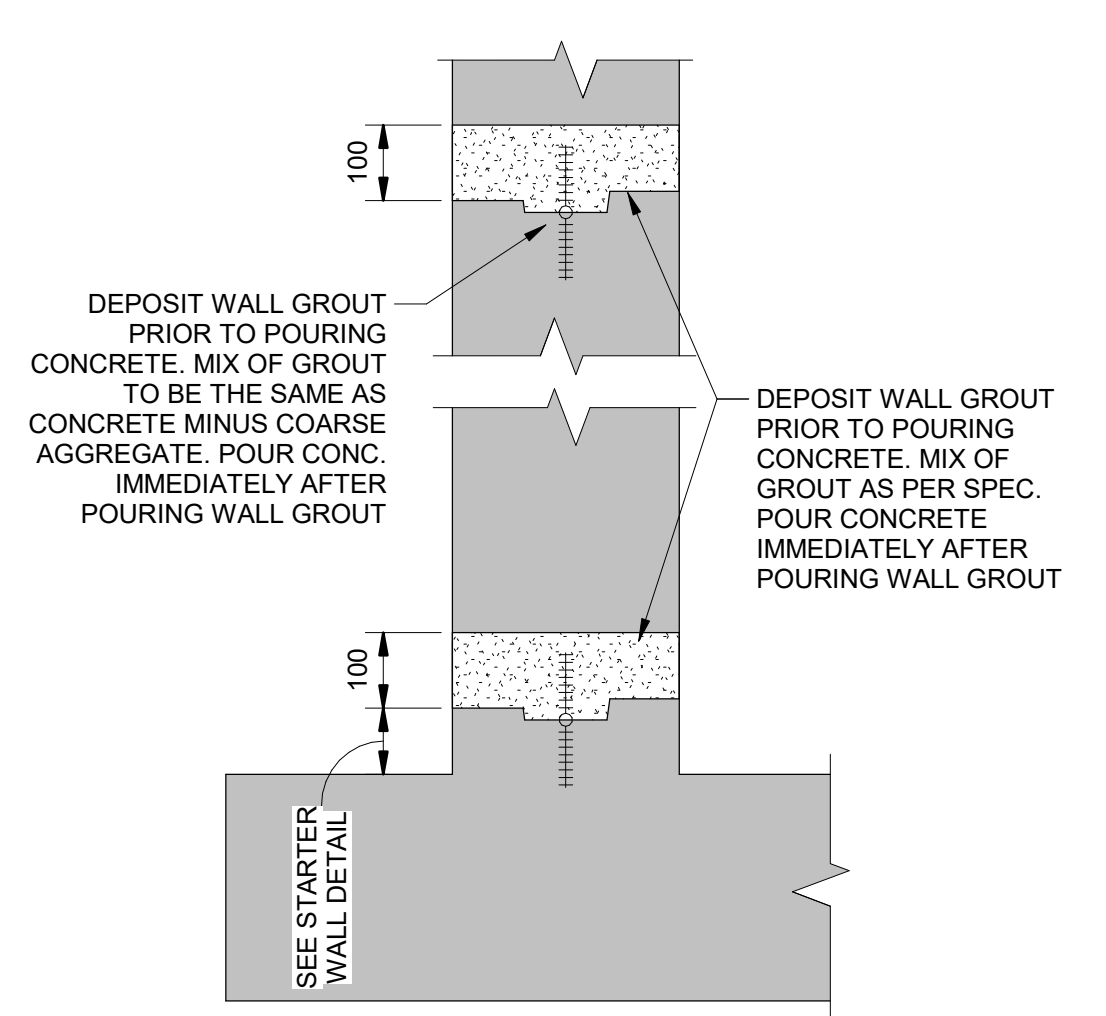
PROJECT:
NEW NAPANEE WPCP

TITLE:
STRUCTURAL GENERAL NOTES

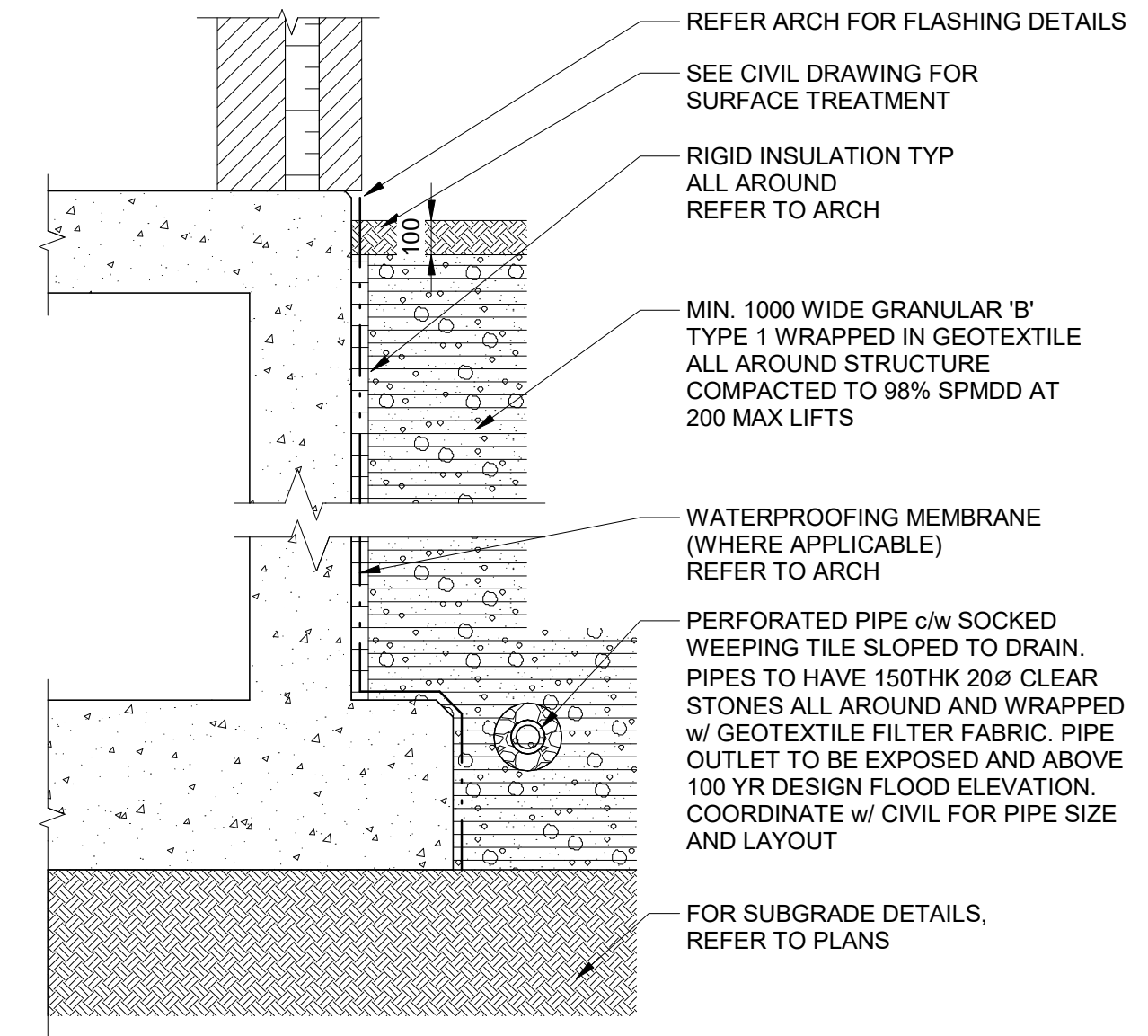
SCALE: As indicated
DESIGNED BY: YF/WC
DRAWN BY: KDS/ILM
CHECKED BY: WC
JOB NO: 22001
DATE: 2025/01/23
DRAWING NO:
S0001



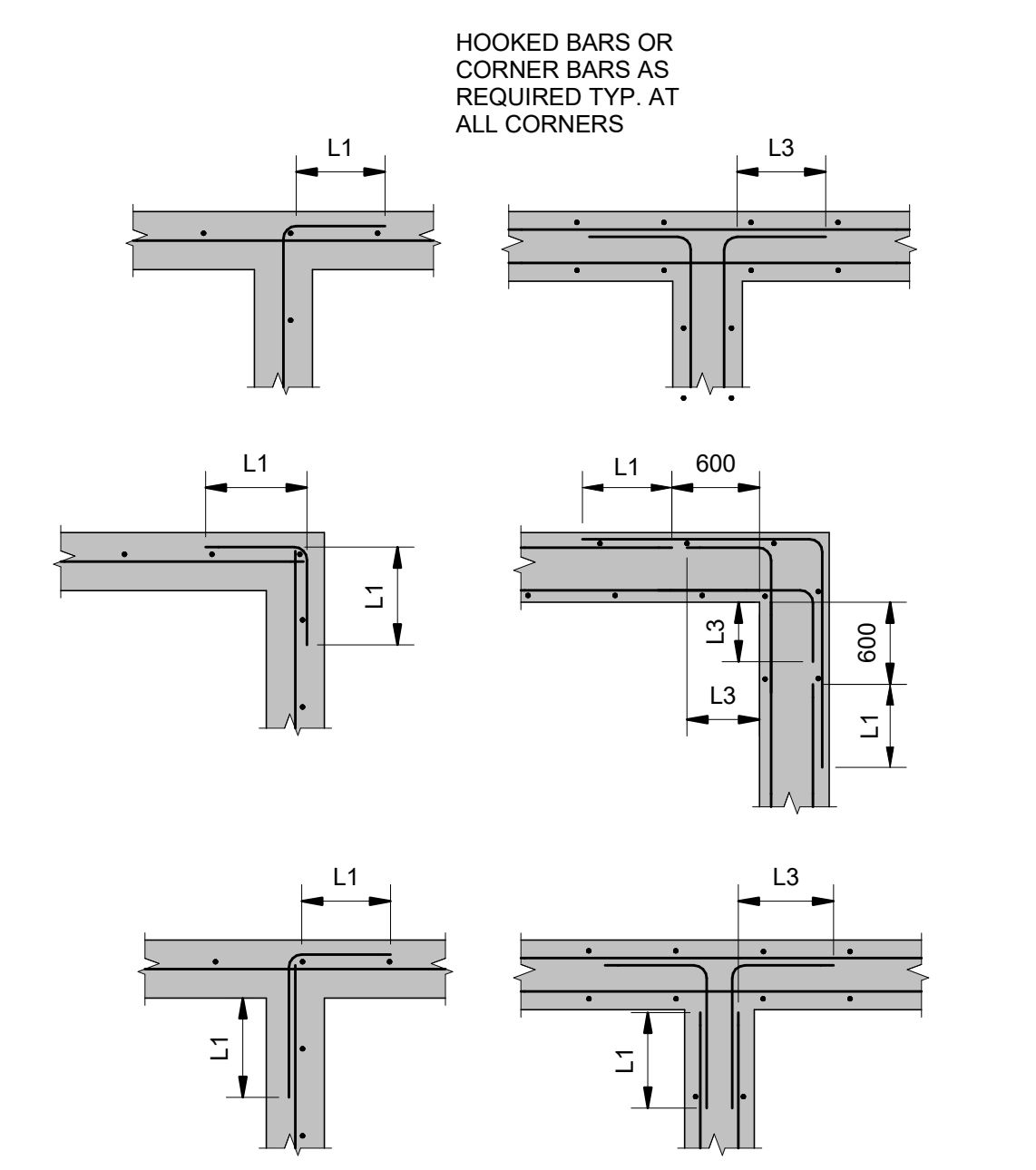
1 STARTER WALL
SCALE: 1 : 10



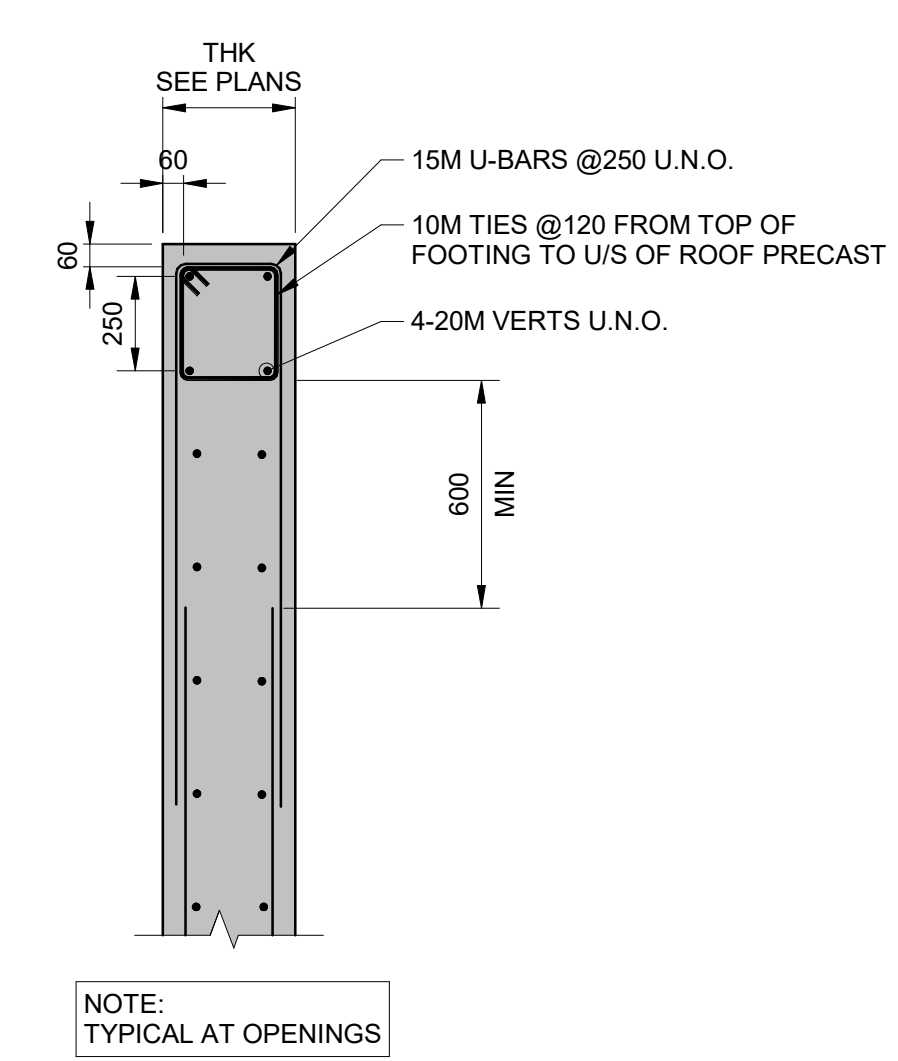
2 STARTER WALL GROUT
SCALE: 1 : 10



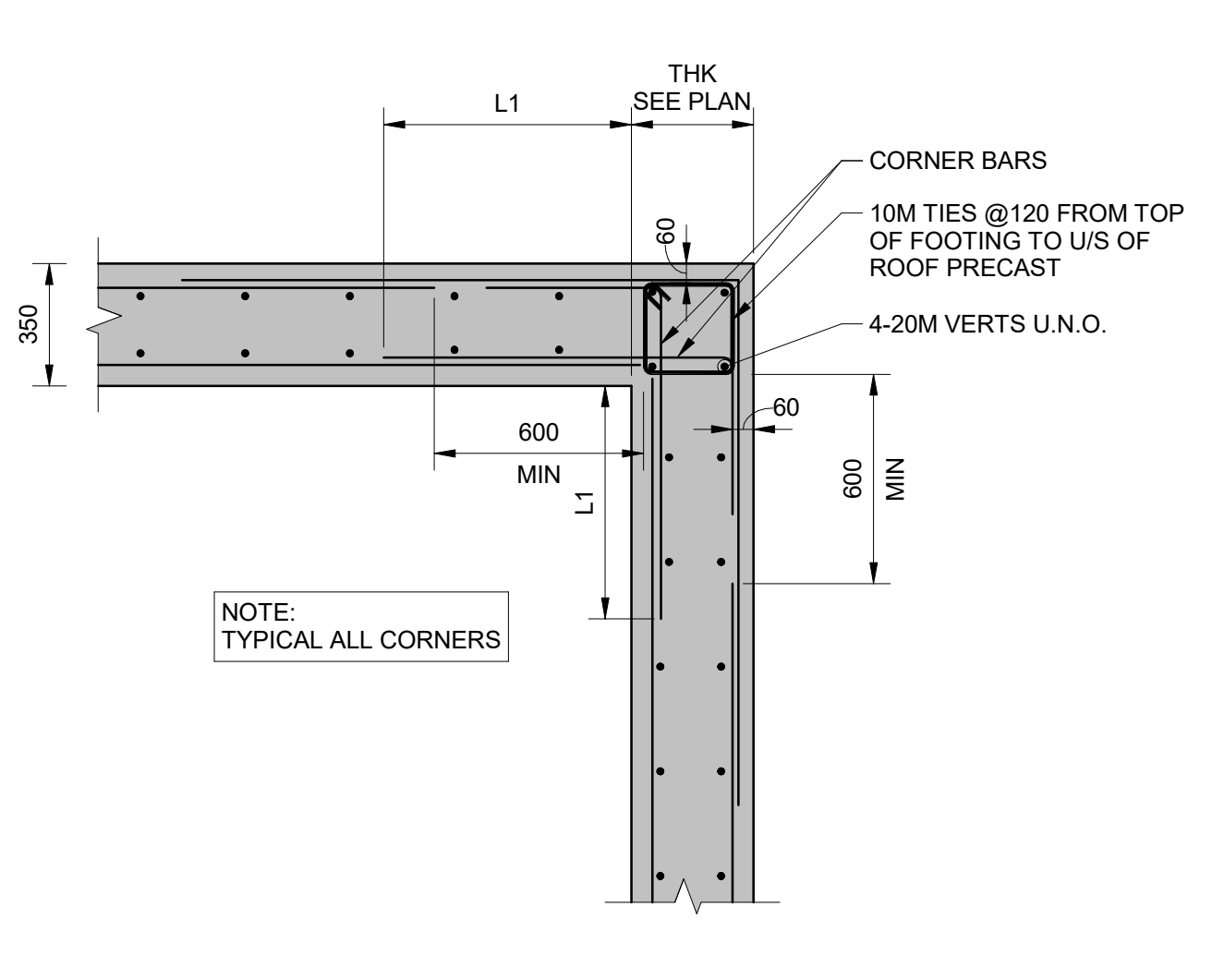
3 BACKFILL AND FOOTING DRAIN
SCALE: NTS



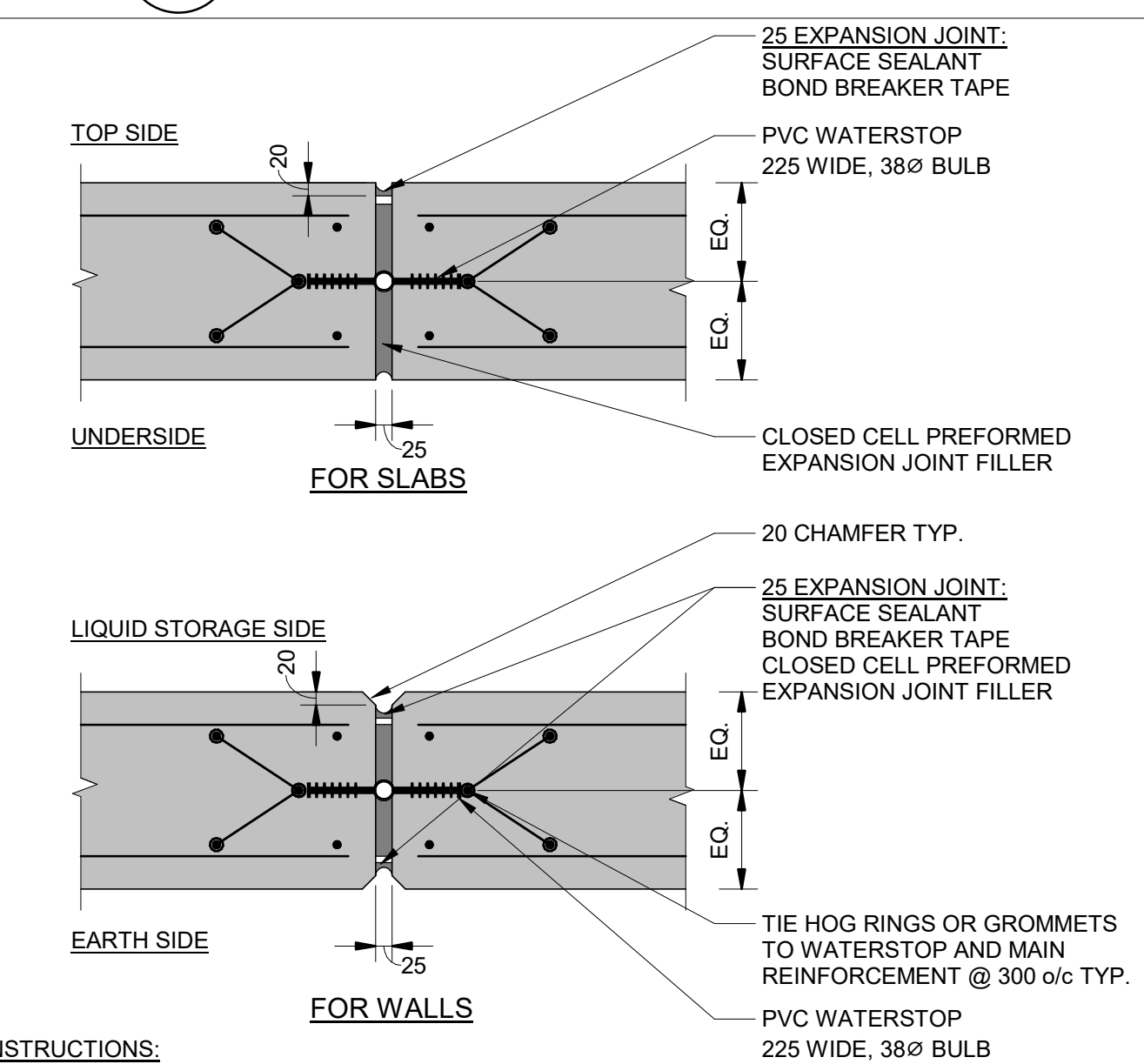
4 HORIZ. WALL REINF. AT INTERSECTIONS
SCALE: NTS



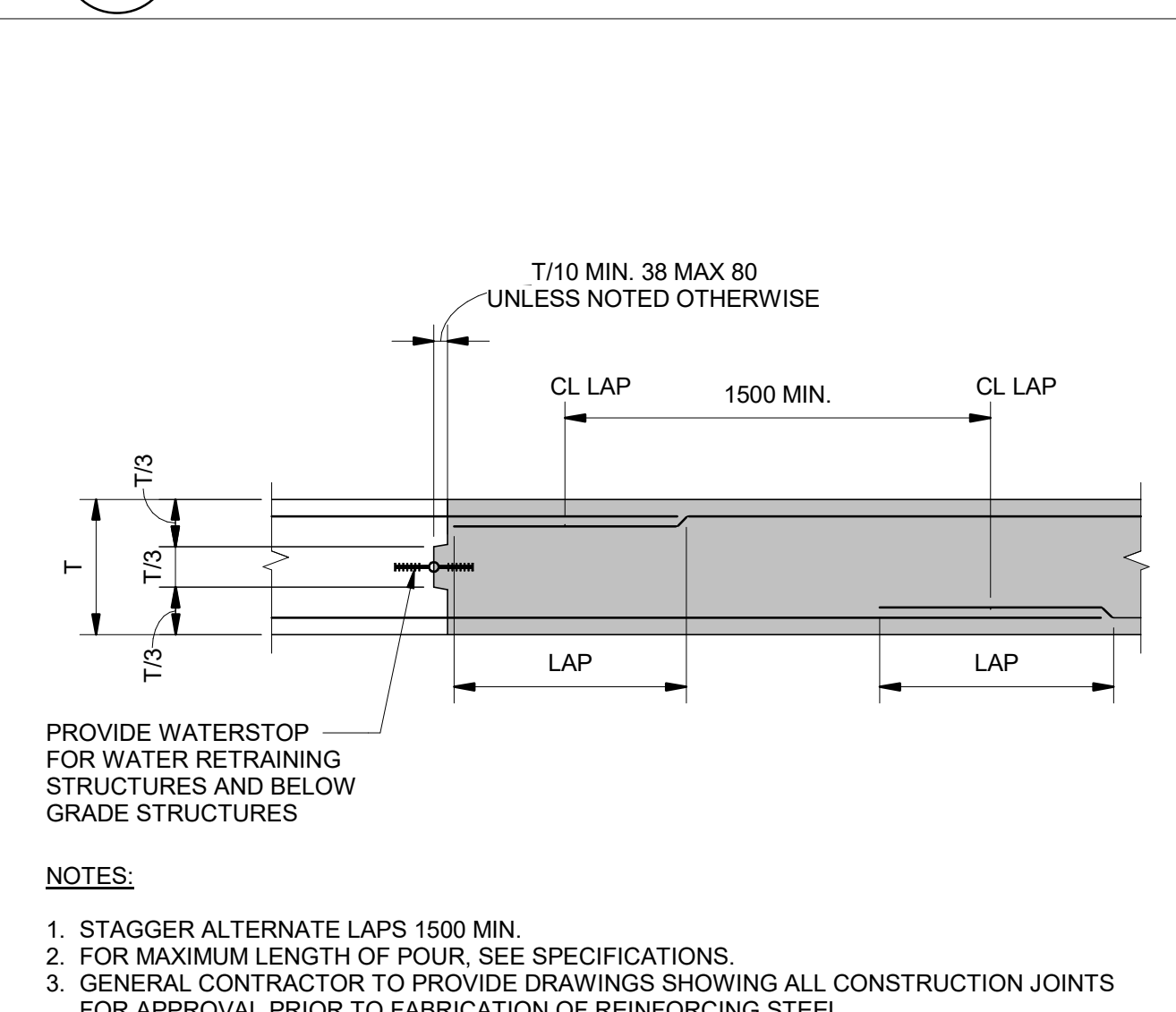
5 END WALL TIES
SCALE: 1 : 20



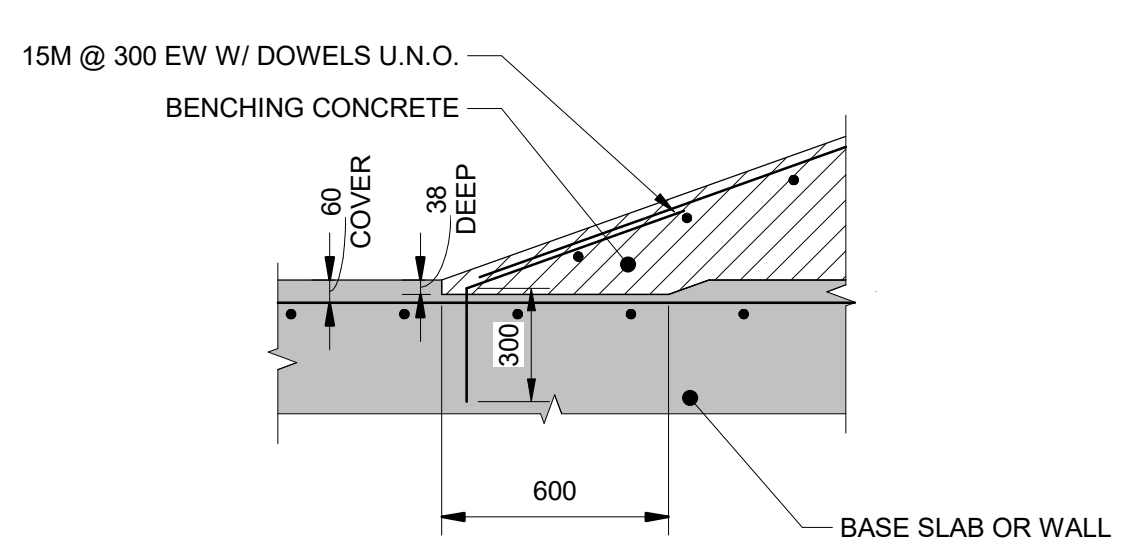
6 CORNER WALL TIES
SCALE: 1 : 20



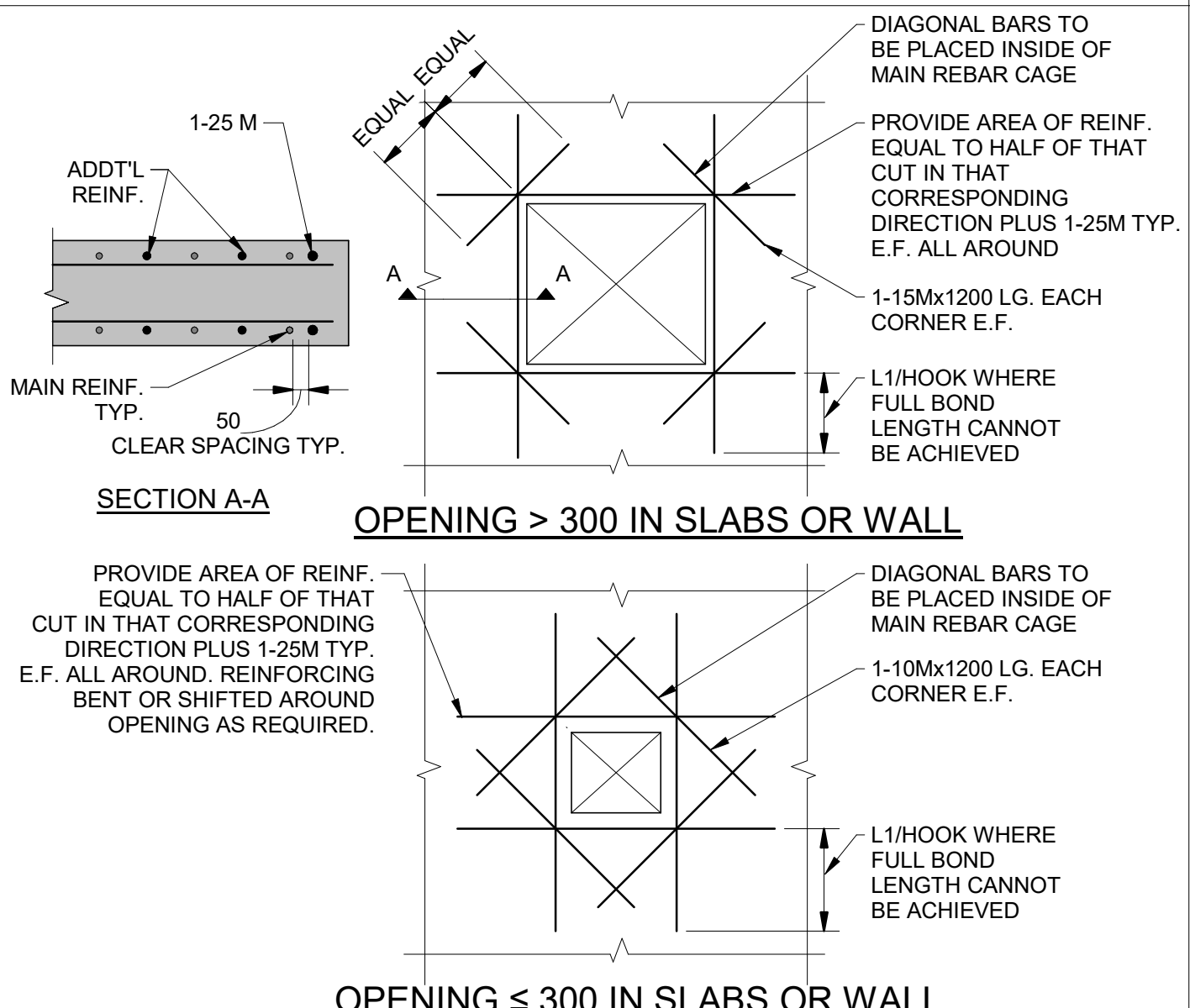
7 EXPANSION JOINT FOR SLABS AND WALLS
SCALE: 1 : 10



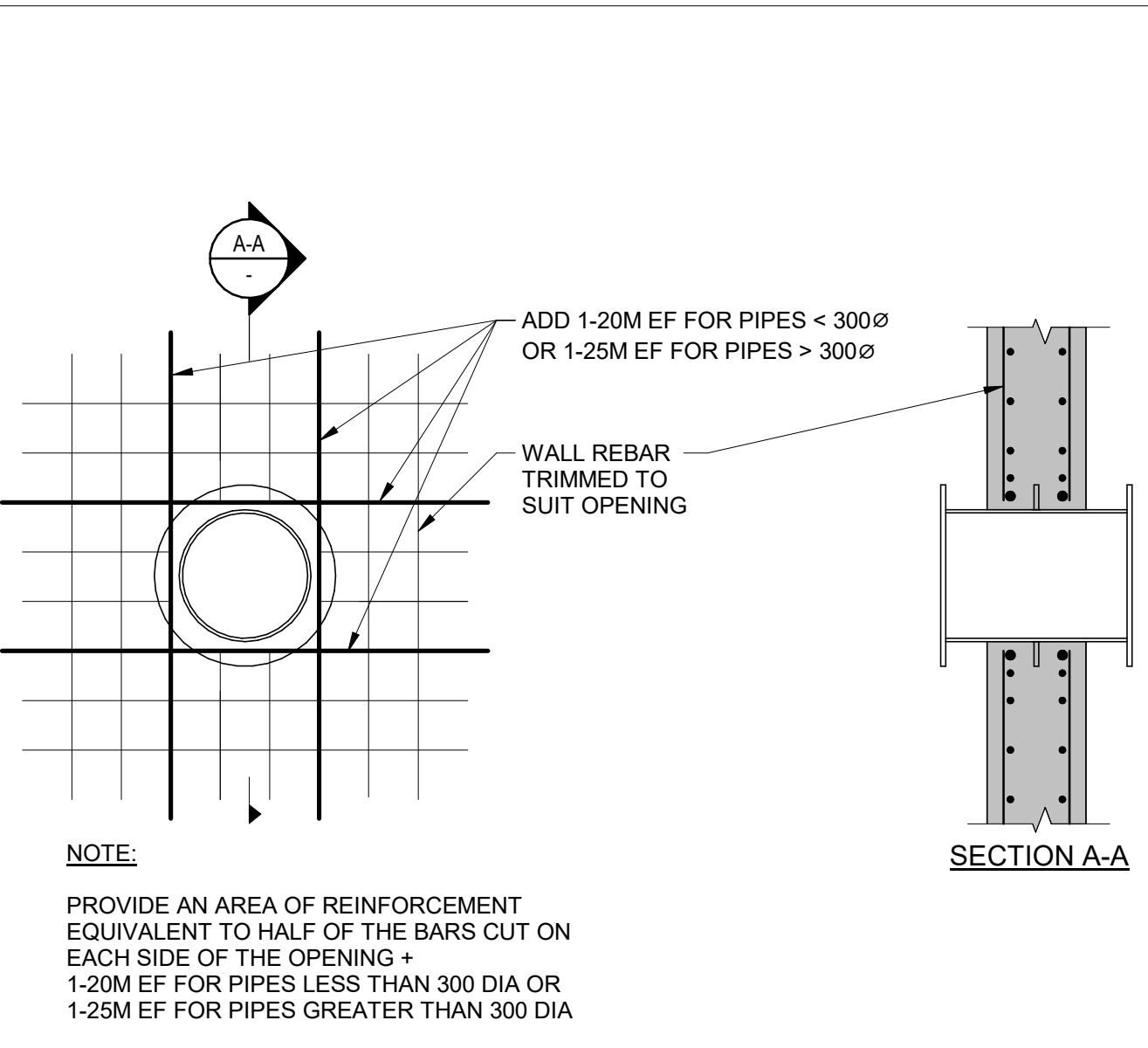
8 SLAB/WALL CONSTRUCTION JOINT
SCALE: 1 : 20



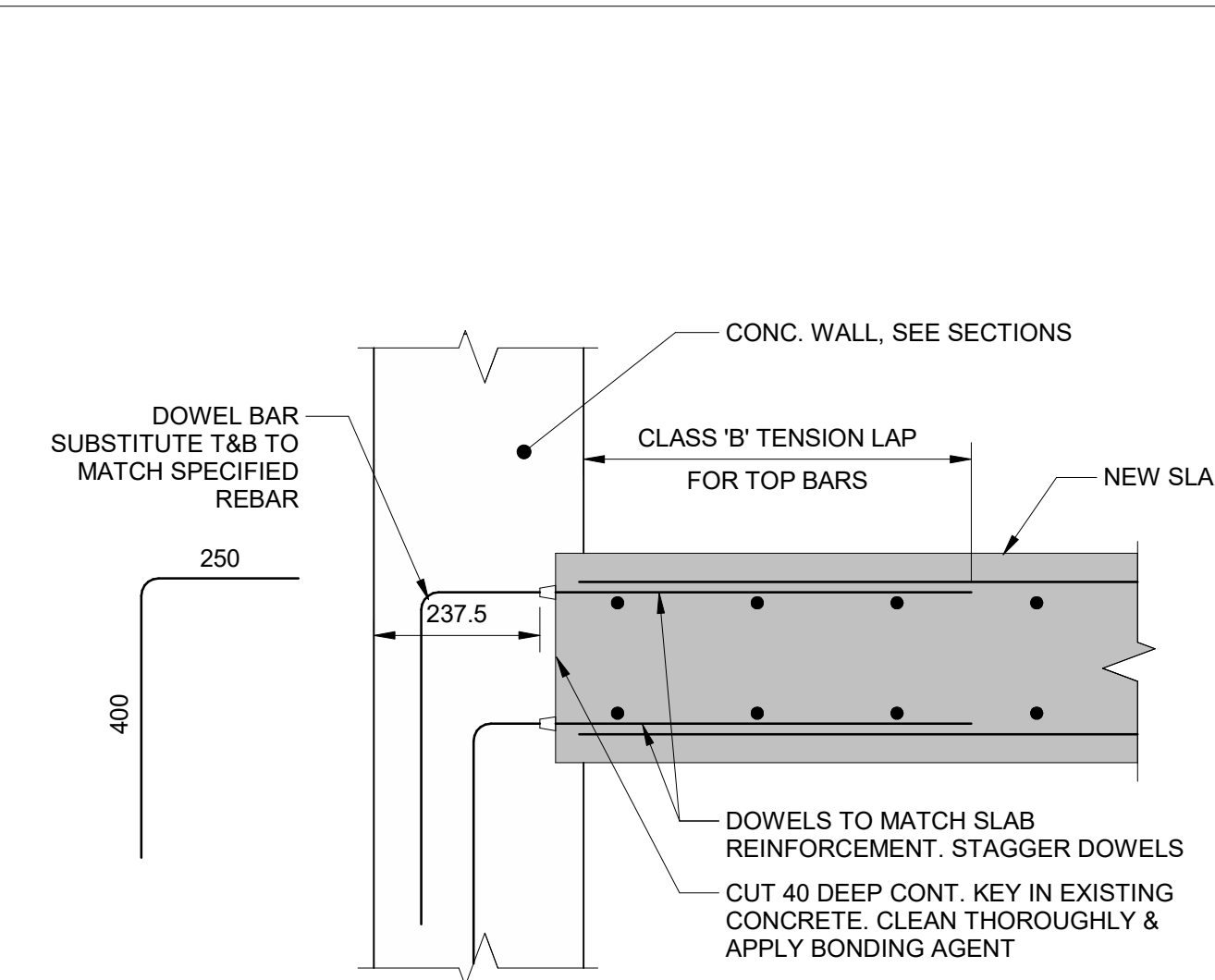
9 CONCRETE BENCHING
SCALE: 1 : 20



10 OPENING - STANDARD OPENING IN CONCRETE SLAB OR WALL
SCALE: 1 : 20



11 PIPE CAST INTO WALL OR SLAB
SCALE: 1 : 20



12 CONCRETE STAIR LANDING
SCALE: NTS

DATE	NO.	REVISION
2025/01/23	2	ISSUED FOR TENDER
2024/08/23	1	ISSUED FOR ECA APPROVAL

THE DRAWINGS, ARRANGEMENTS, ANNOTATIONS AND GRAPHICAL PRESENTATIONS ON THIS DOCUMENT ARE THE PROPERTY OF EVB ENGINEERING WHO RETAINS OWNERSHIP AND AUTHORITY OF THIS DOCUMENT IN ITS ENTIRETY. THIS DOCUMENT IS AN INSTRUMENT OF SERVICE AND IS THE INTELLECTUAL AND PHYSICAL PROPERTY OF EVB ENGINEERING. AUTHORIZED USE OF THIS DRAWING IS GRANTED SOLELY FOR THE PURPOSE OF THIS SPECIFIC PROJECT AND LOCATION, AND NOT FOR CONSTRUCTION OR USE FOR ANY OTHER PROJECT. COPYRIGHT © 2024 EVB ENGINEERING.



CONSULTANT:

800 SECOND STREET WEST
CORNWALL, ONTARIO CANADA, K6J 1H6
TEL: 613-935-3775 | FAX: 613-935-6450
WEBSITE: EVBengineering.com

SUB-CONSULTANT:

CLIENT:

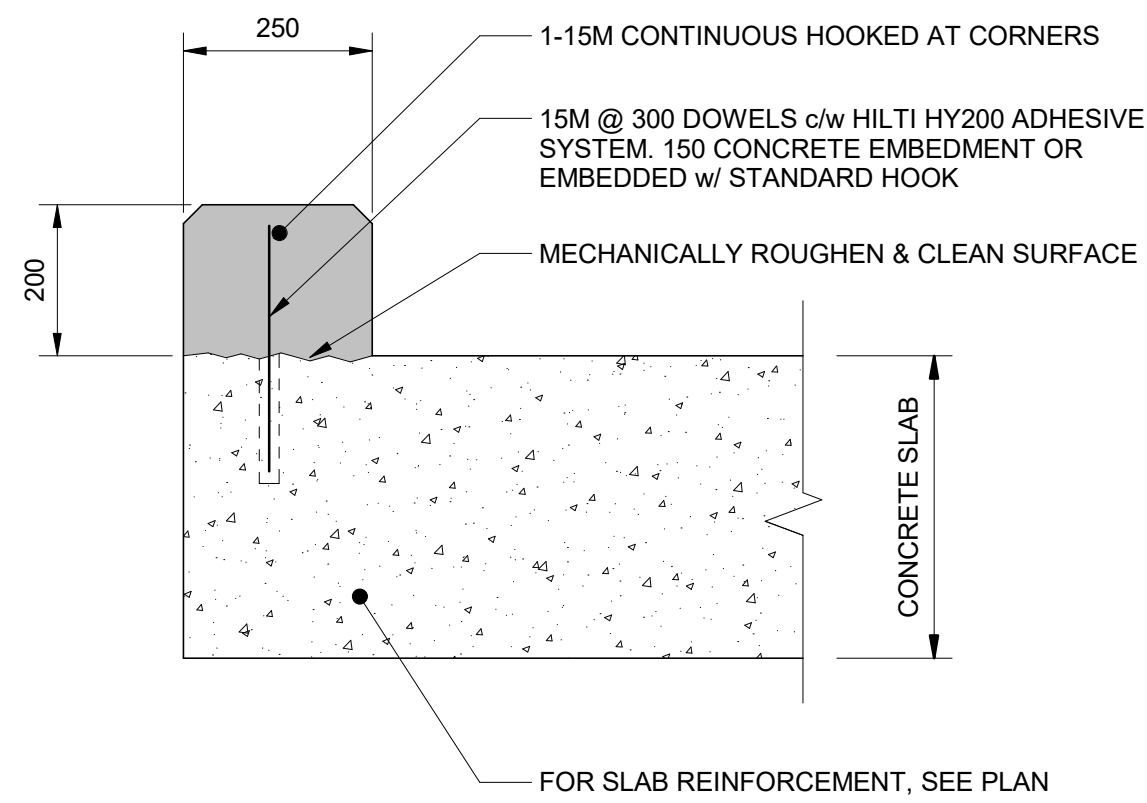
Greater Napanee
GRANDS FOR BARRIERS

PROJECT:
NEW NAPANEE WPCP

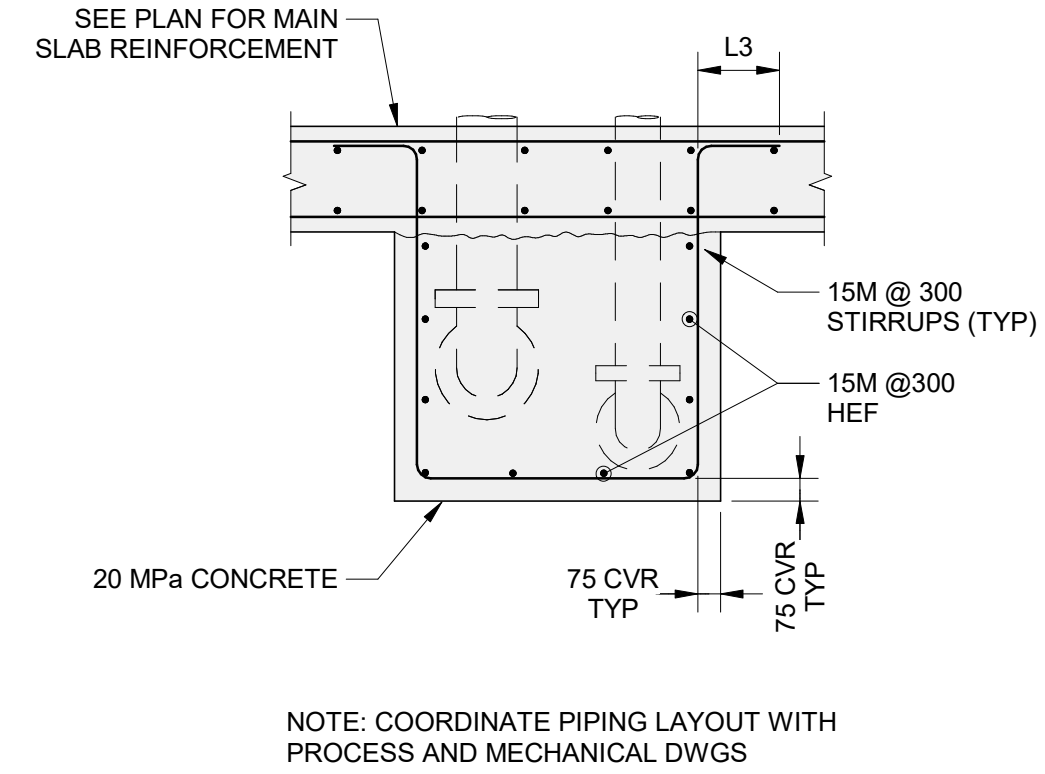
TITLE:
STANDARD CONCRETE DETAILS SHEET 1

SCALE:	JOB NO:
As indicated	22001
DESIGNED BY:	DATE:
YF/WC	2025/01/23
DRAWN BY:	DRAWING NO.:
KDS/ILM	S0401
CHECKED BY:	
WC	

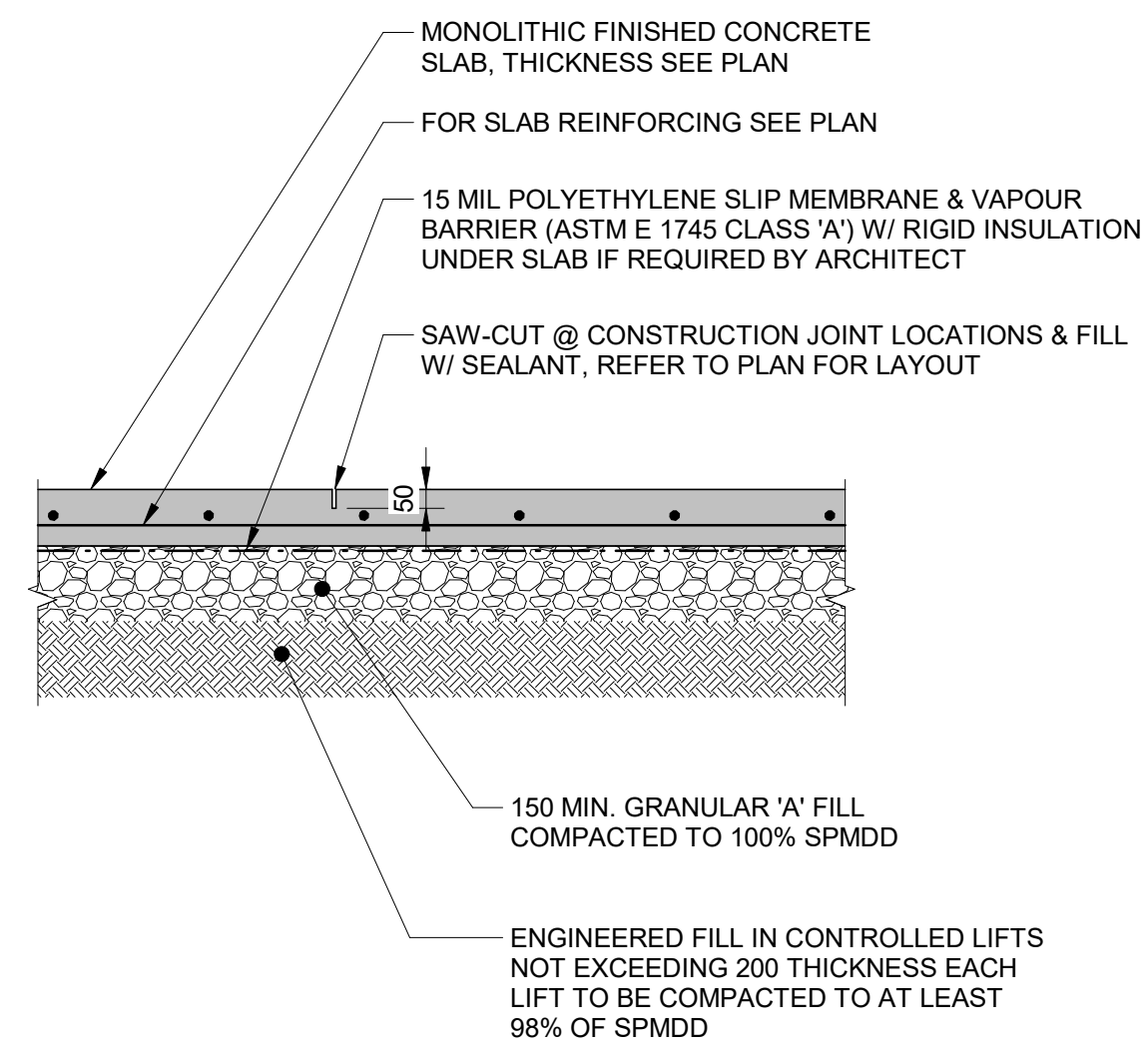
2025-01-22 9:23:35 AM Autodesk Docs://22001 - Napanee New WPCP/24 - Napanee WPCP - Upgrades/Tertiary UV Bldg.rvt



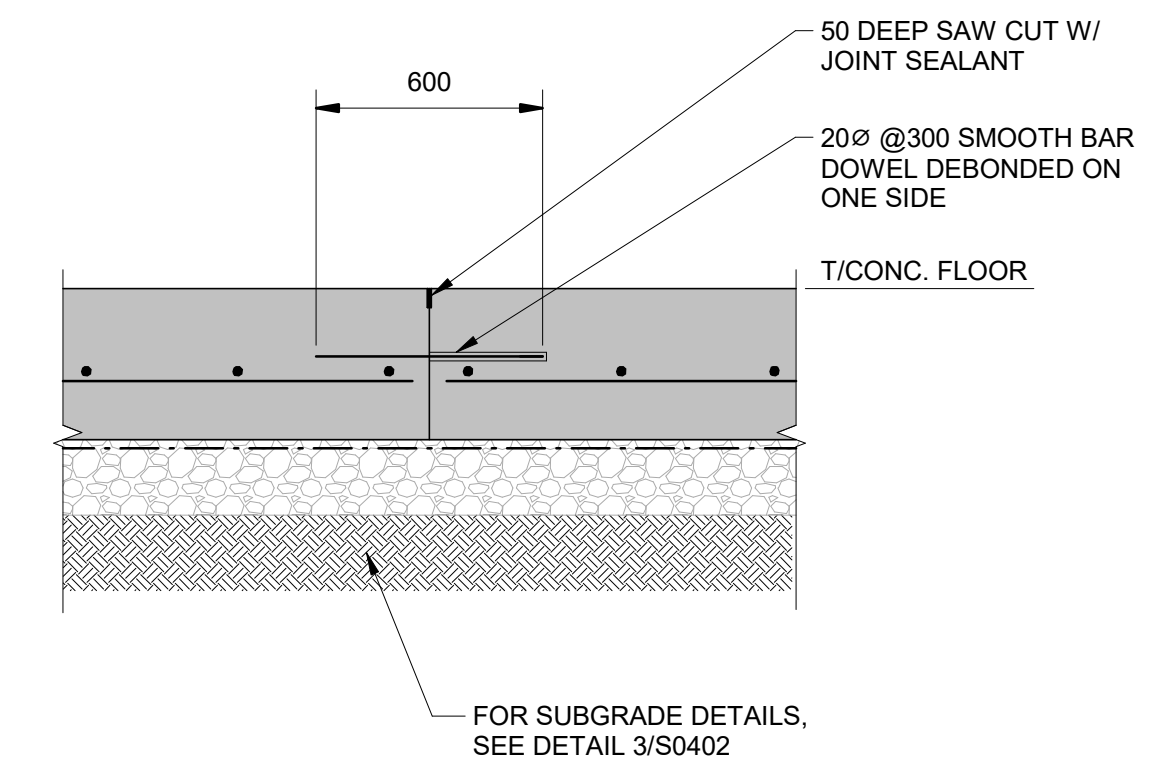
1 CONCRETE CURB
SCALE: 1 : 10



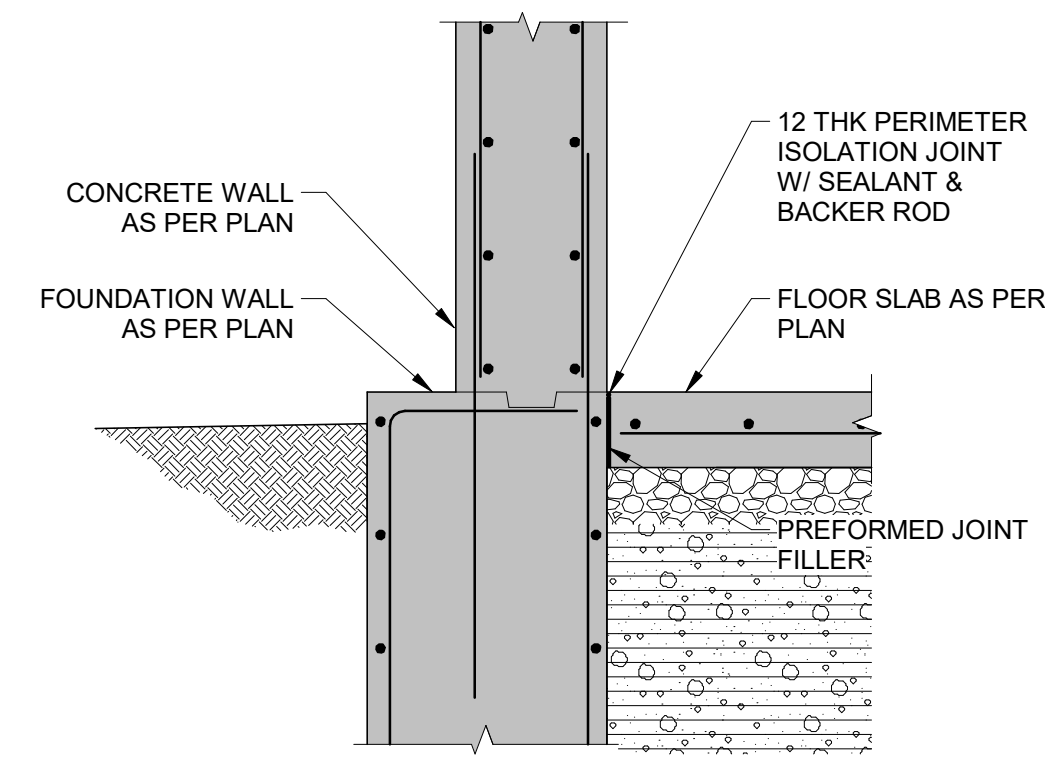
2 PIPE ENCASEMENT
SCALE: NTS



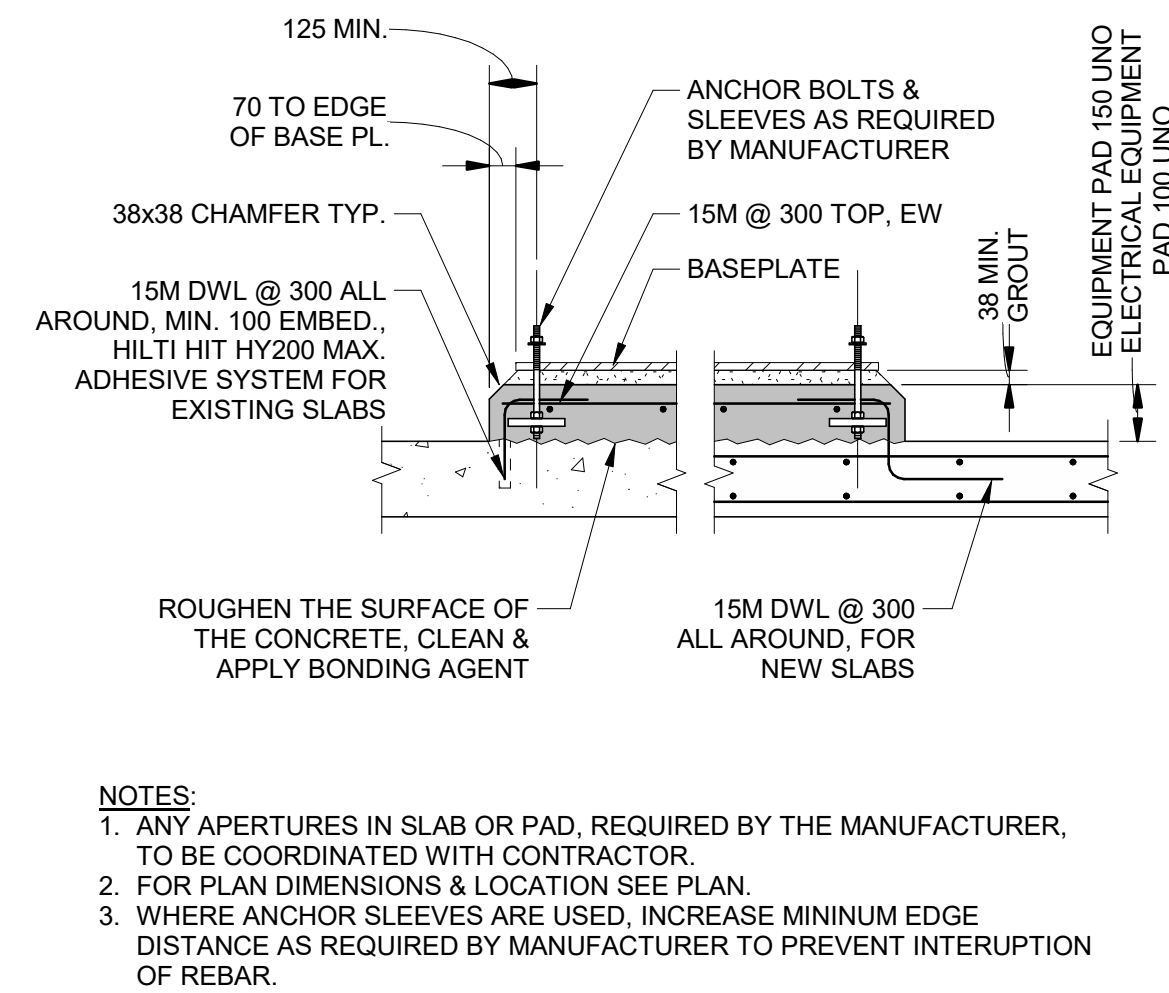
3 SLAB ON GRADE
SCALE: 1 : 20



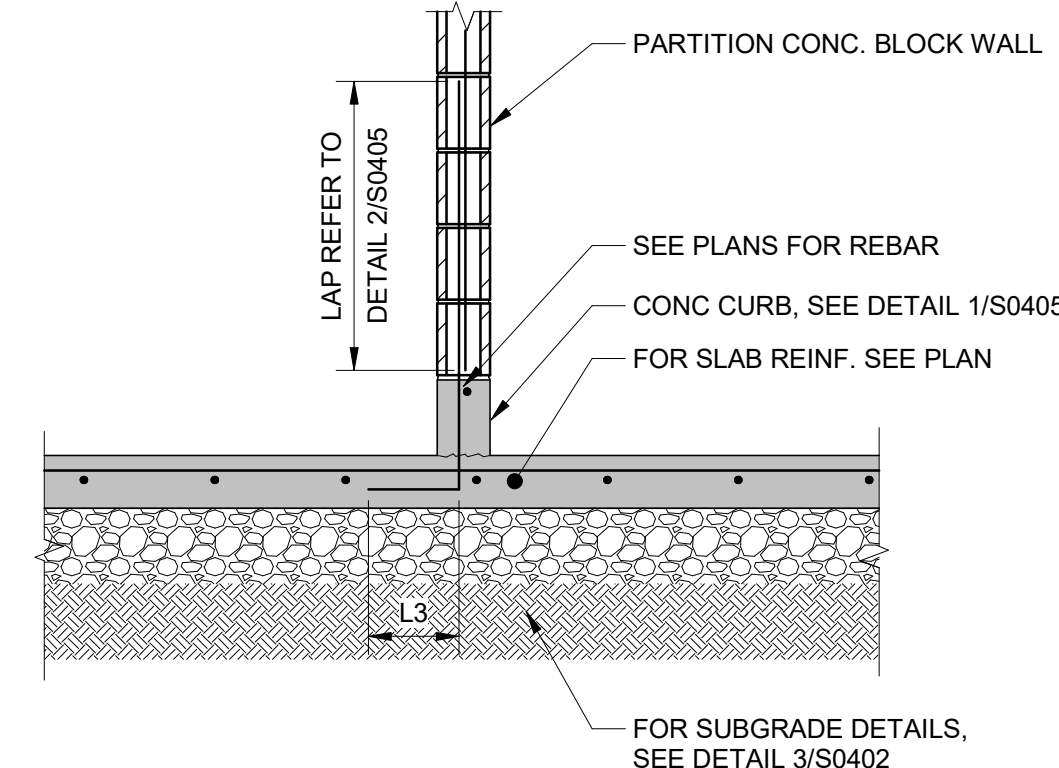
4 SLAB ON GRADE CONTROL/CONSTRUCTION JOINT
SCALE: 1 : 20



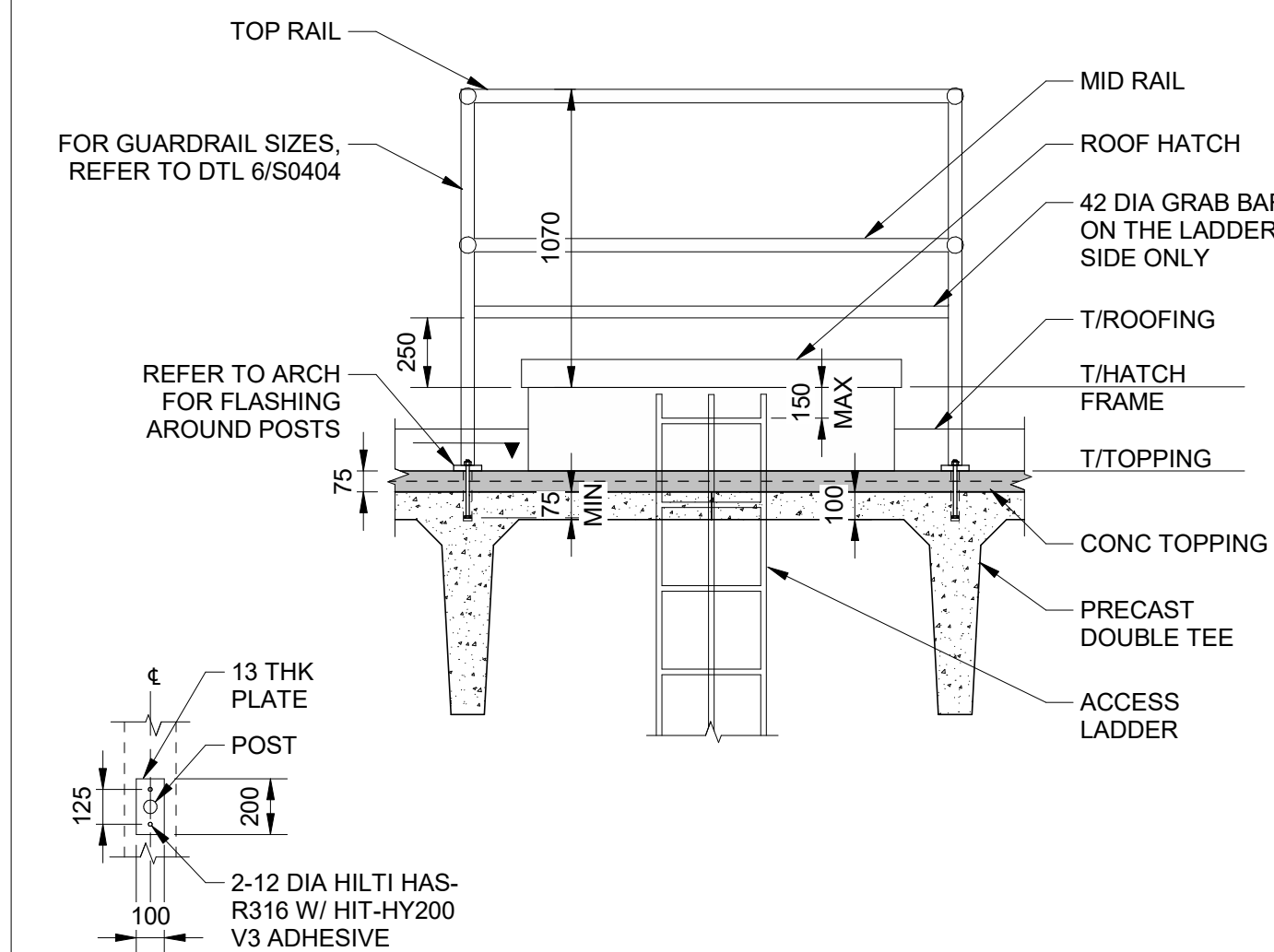
5 SLAB ON GRADE ISOLATION
SCALE: 1 : 20



6 EQUIPMENT PAD DETAIL
SCALE: 1 : 20

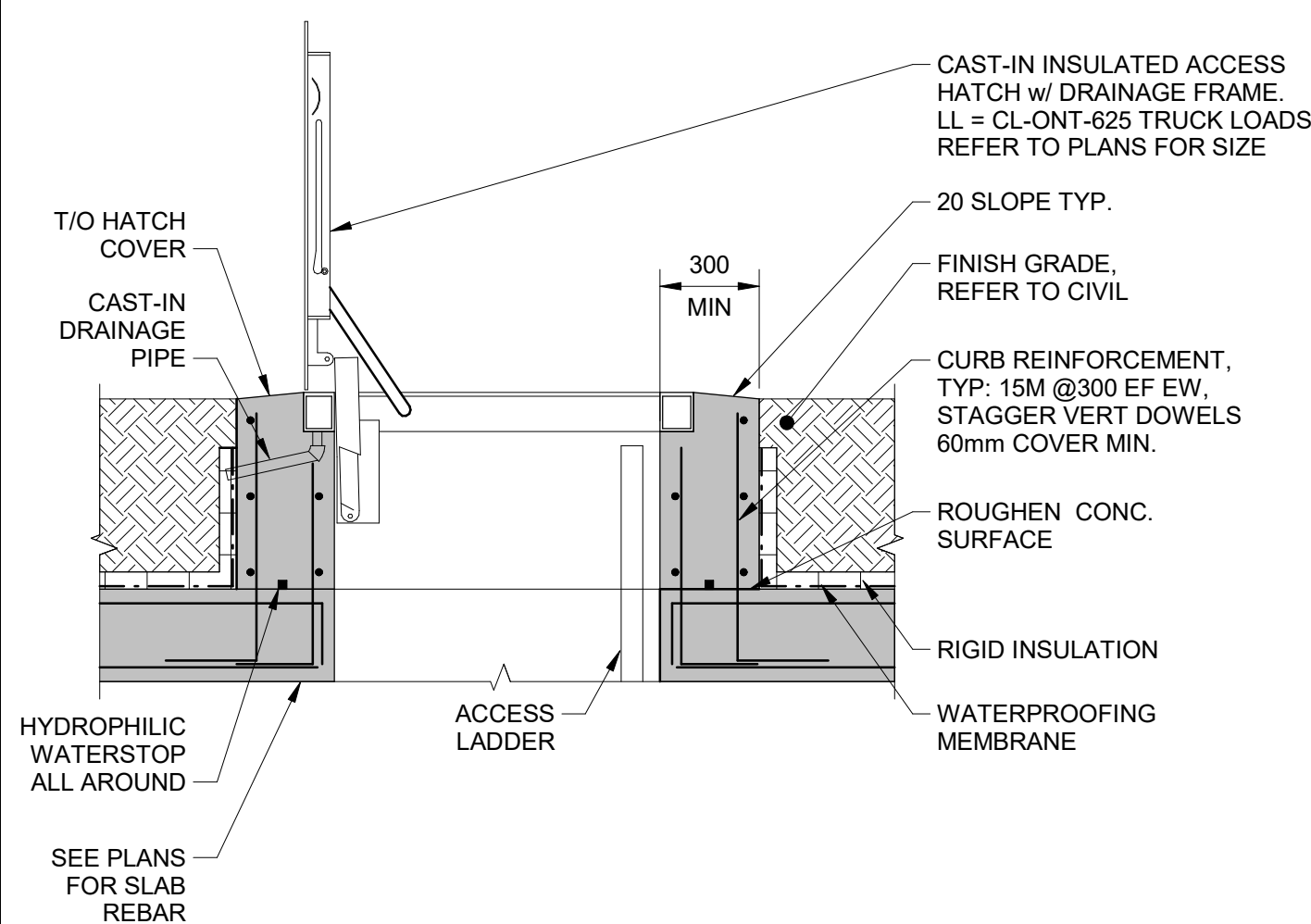


7 SLAB ON GRADE SUPPORTING INTERIOR BLOCK WALLS
SCALE: 1 : 20

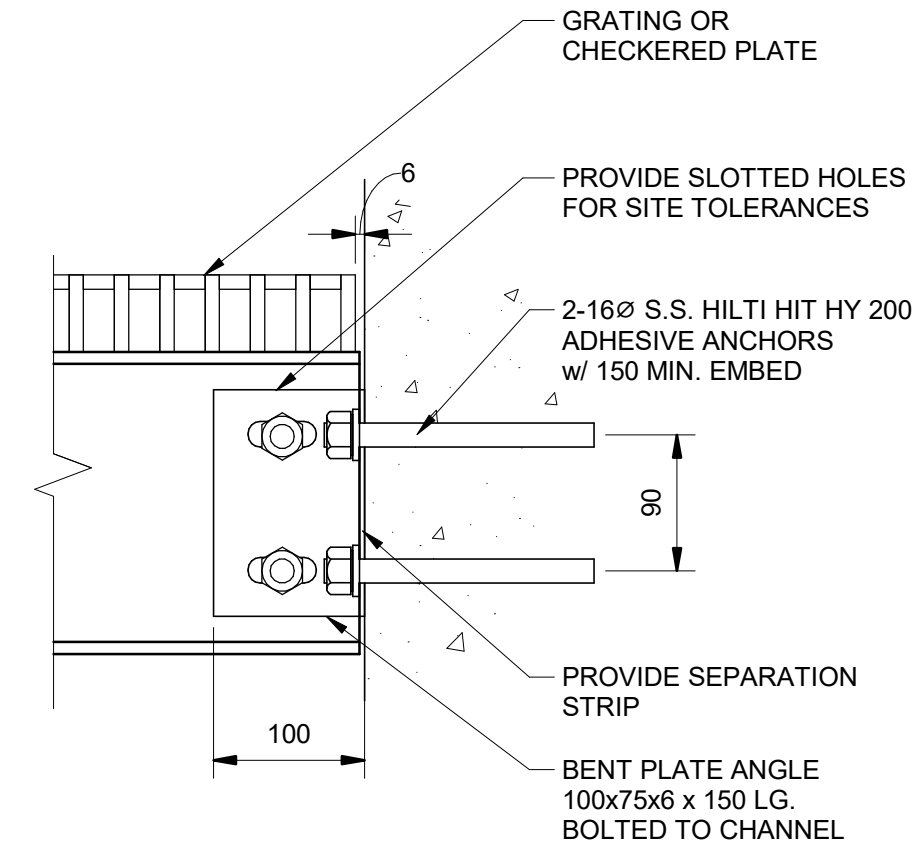


8 GUARDRAIL ON PRECAST DOUBLE TEE
SCALE: 1 : 25

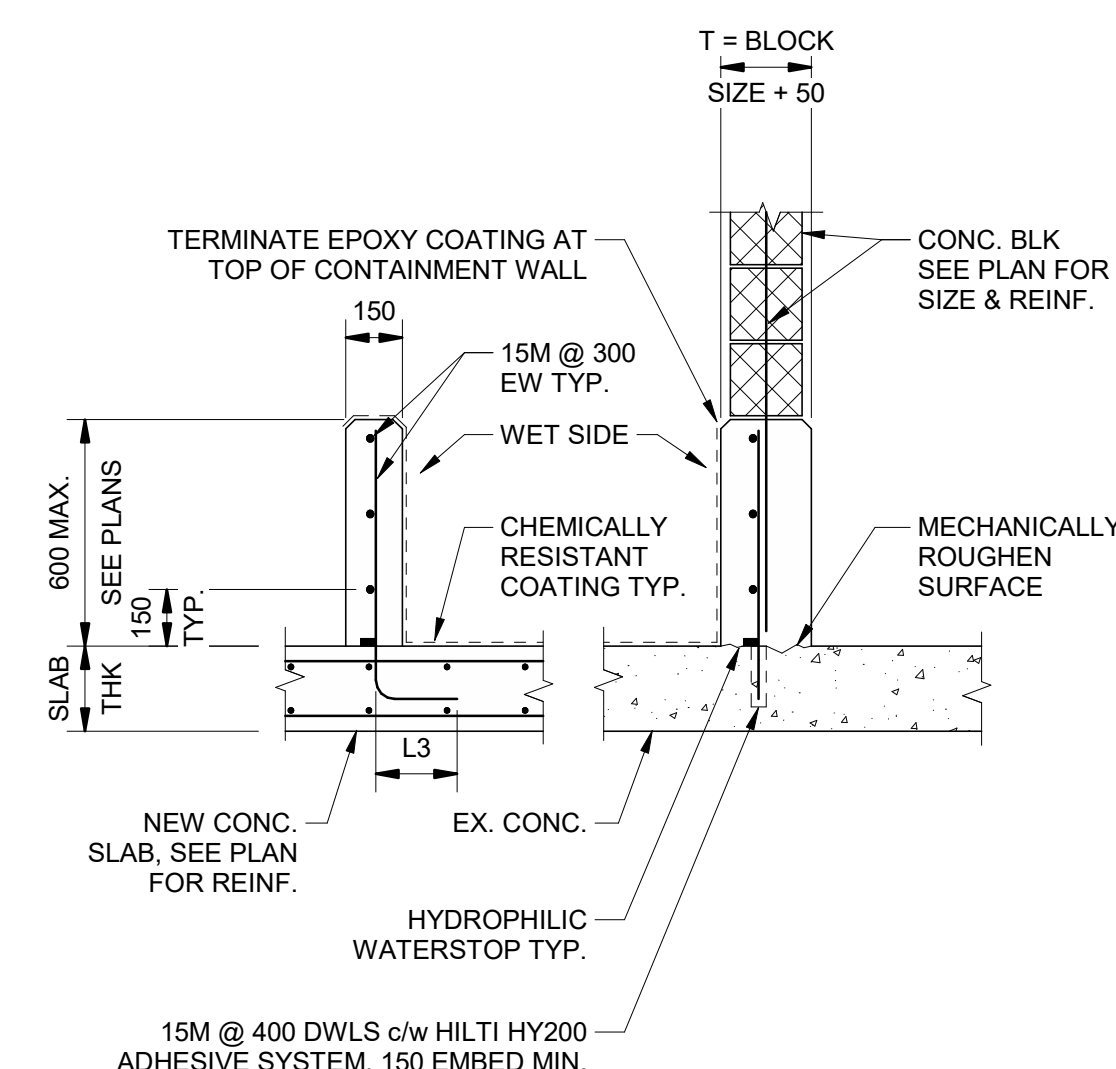
2025-01-22 9:23:36 AM Autodesk Docs: IZ2001 - Napanee New WPCP Upgrade - Napanee WPCP Upgrade Tertiary UV Bldg.rvt



9 RAISED CAST-IN HATCH
SCALE: 1 : 20



10 BEAM TO CONCRETE CONN.
SCALE: 1 : 5



11 CONTAINMENT CURB DETAILS
SCALE: 1 : 20

DATE	NO.	REVISION
2025/01/23	2	ISSUED FOR TENDER
2024/08/23	1	ISSUED FOR ECA APPROVAL

THE DRAWINGS, ARRANGEMENTS, ANNOTATIONS AND GRAPHICAL PRESENTATIONS ON THIS DOCUMENT ARE THE PROPERTY OF EVB ENGINEERING WHO RETAINS OWNERSHIP AND AUTHORITY OF THIS DOCUMENT. IN ITS ENTIRETY THIS DOCUMENT IS AN INSTRUMENT OF SERVICE AND IS THE INTELLECTUAL AND PHYSICAL PROPERTY OF EVB ENGINEERING. AUTHORIZED USE OF THIS DRAWING IS GRANTED SOLELY FOR THE PURPOSE OF THIS SPECIFIC PROJECT AND LOCATION, AND NOT FOR CONSTRUCTION OR USE FOR ANY OTHER PROJECT. COPYRIGHT © 2024 EVB ENGINEERING.



CONSULTANT:

800 SECOND STREET WEST
CORNWALL, ONTARIO CANADA, K6J 1H6
TEL: 613-935-3775 | FAX: 613-935-6450
WEBSITE: EVBengineering.com

SUB-CONSULTANT:

CLIENT:

Greater Napanee
GRADING FOR WATER RESOURCES

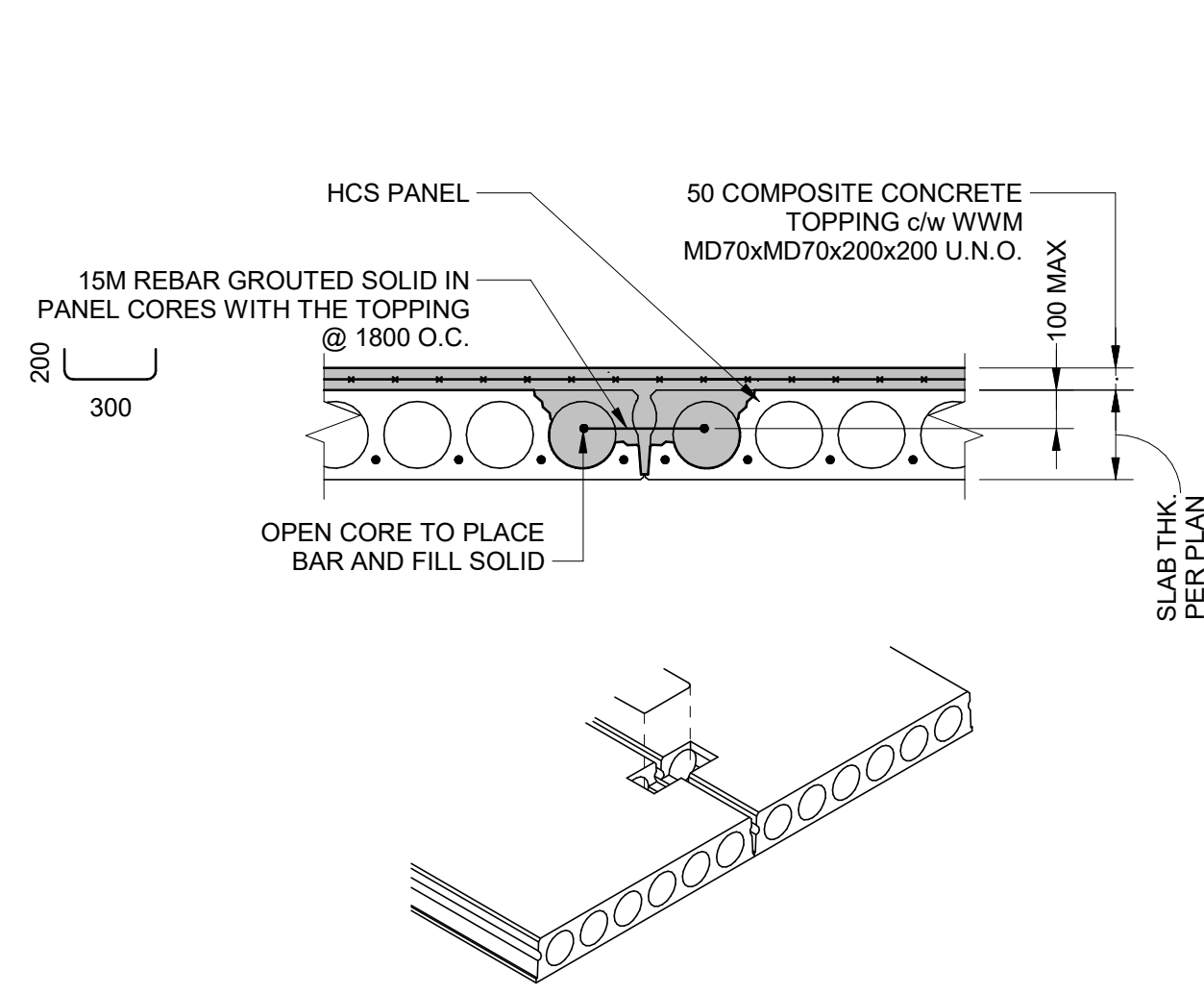
PROJECT:

NEW NAPANEE WPCP

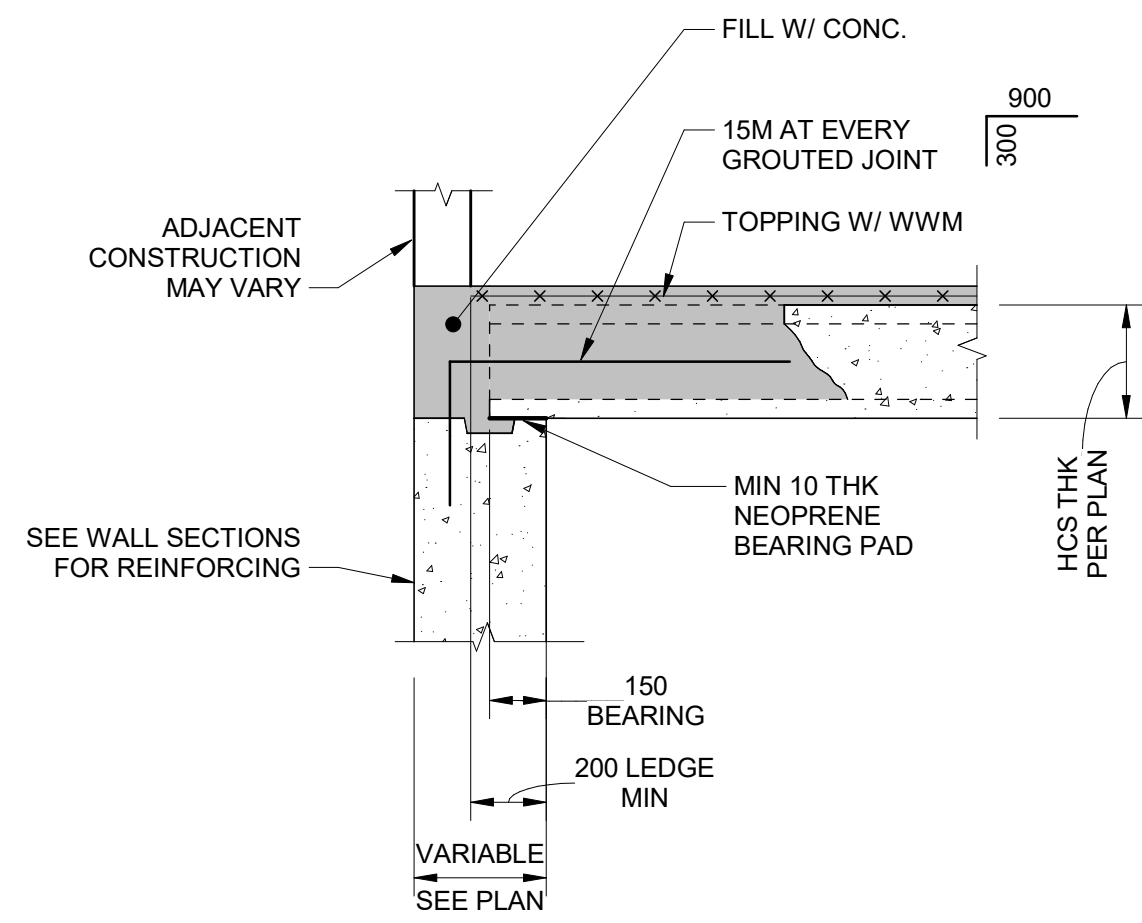
TITLE:

STANDARD CONCRETE DETAILS SHEET 2

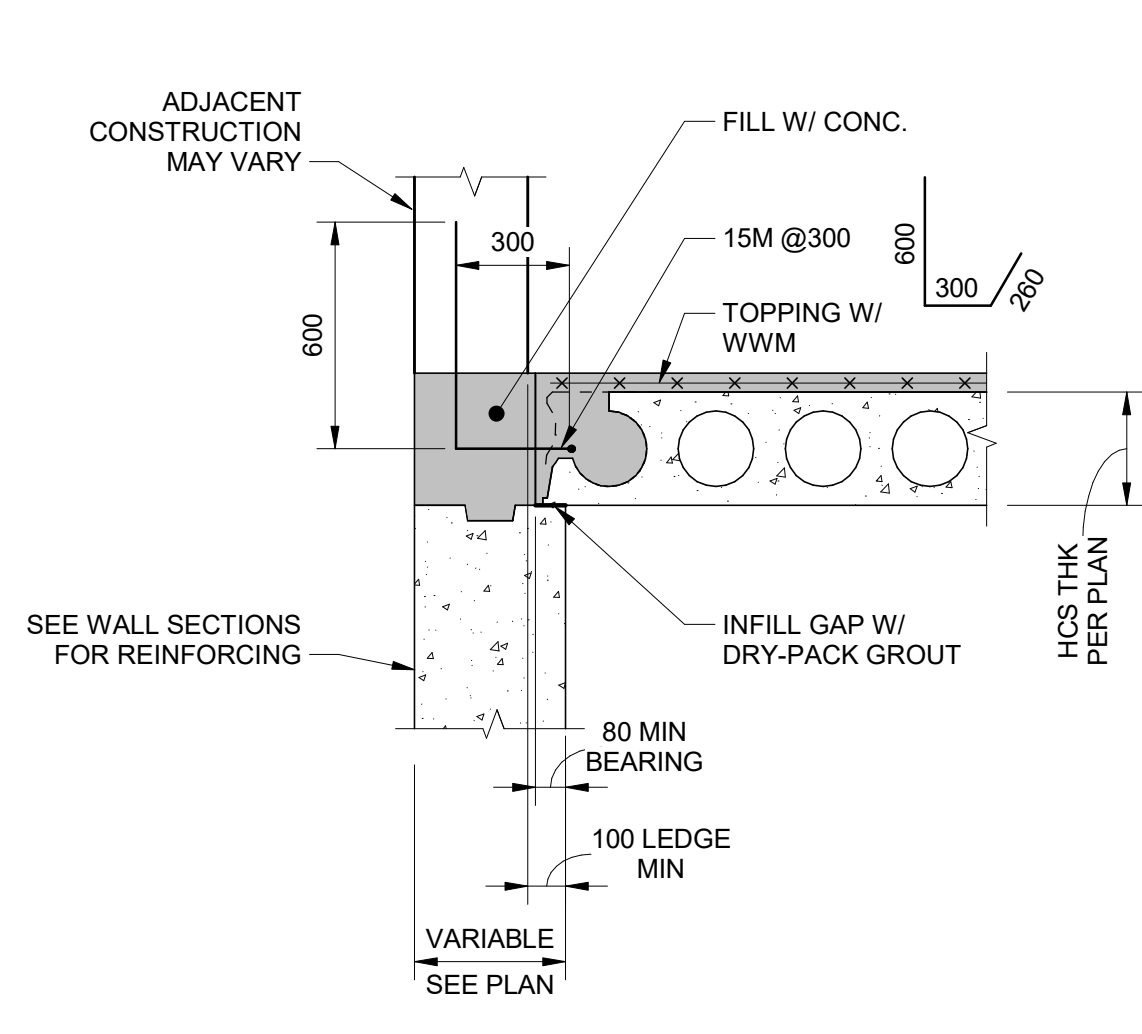
SCALE: As indicated	JOB NO: 22001
DESIGNED BY: YF/WC	DATE: 2025/01/23
DRAWN BY: KDS/LM	DRAWING NO.:
CHECKED BY: WC	S0402



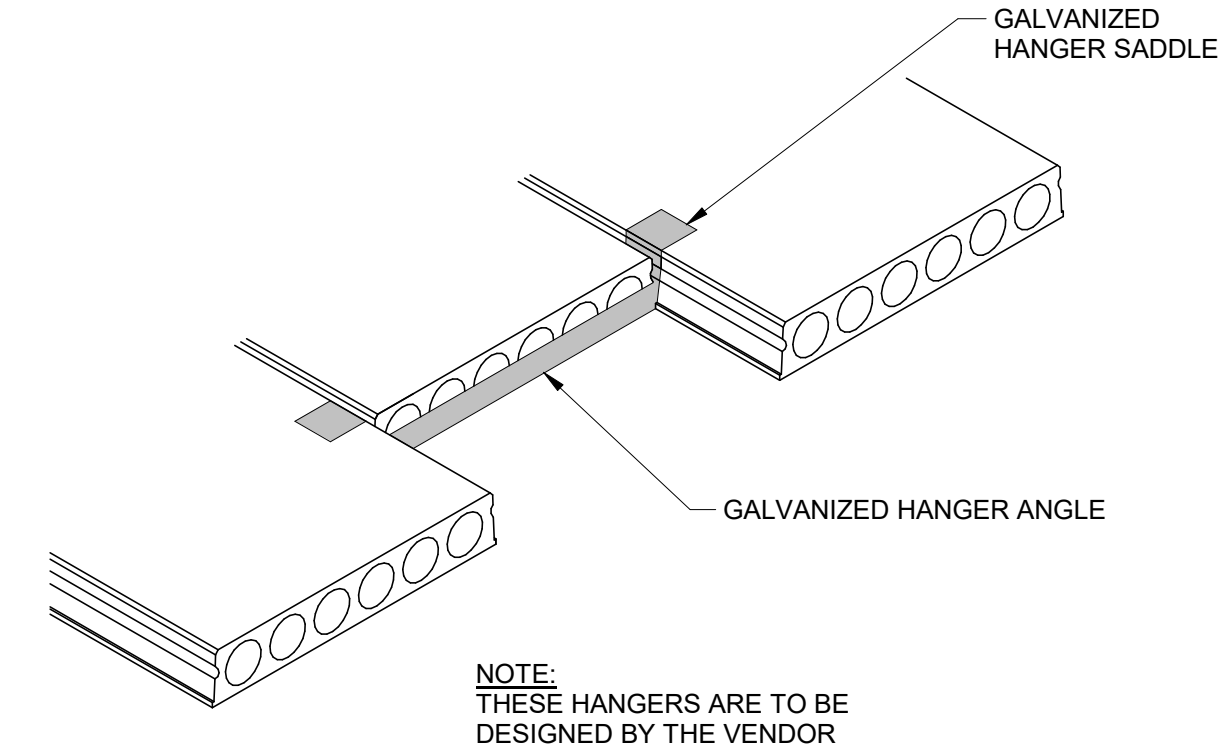
1 HOLLOWCORE SHEAR CONNECTION
SCALE: NTS



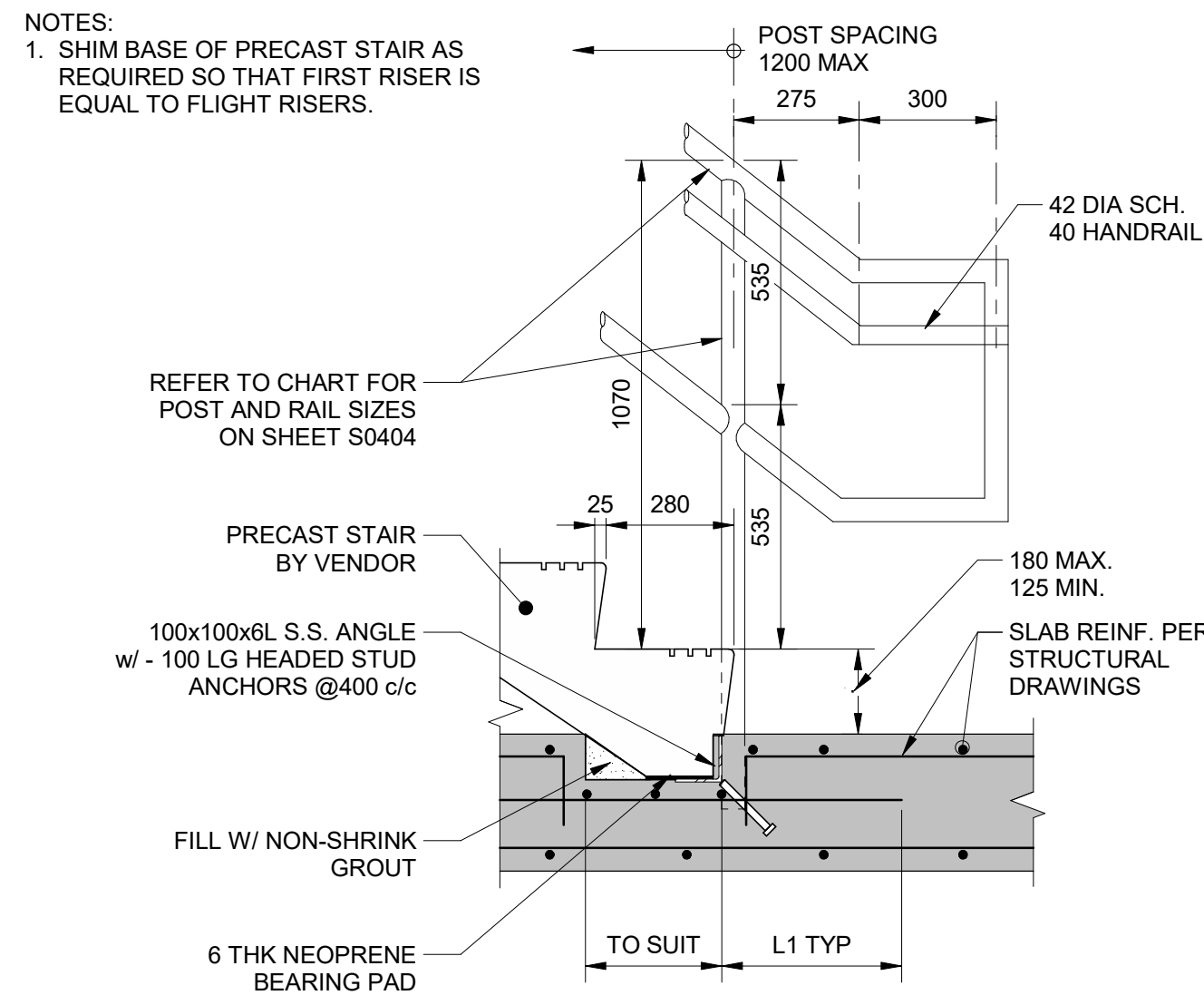
2 HOLLOWCORE WALL CONNECTION
SCALE: 1 : 20



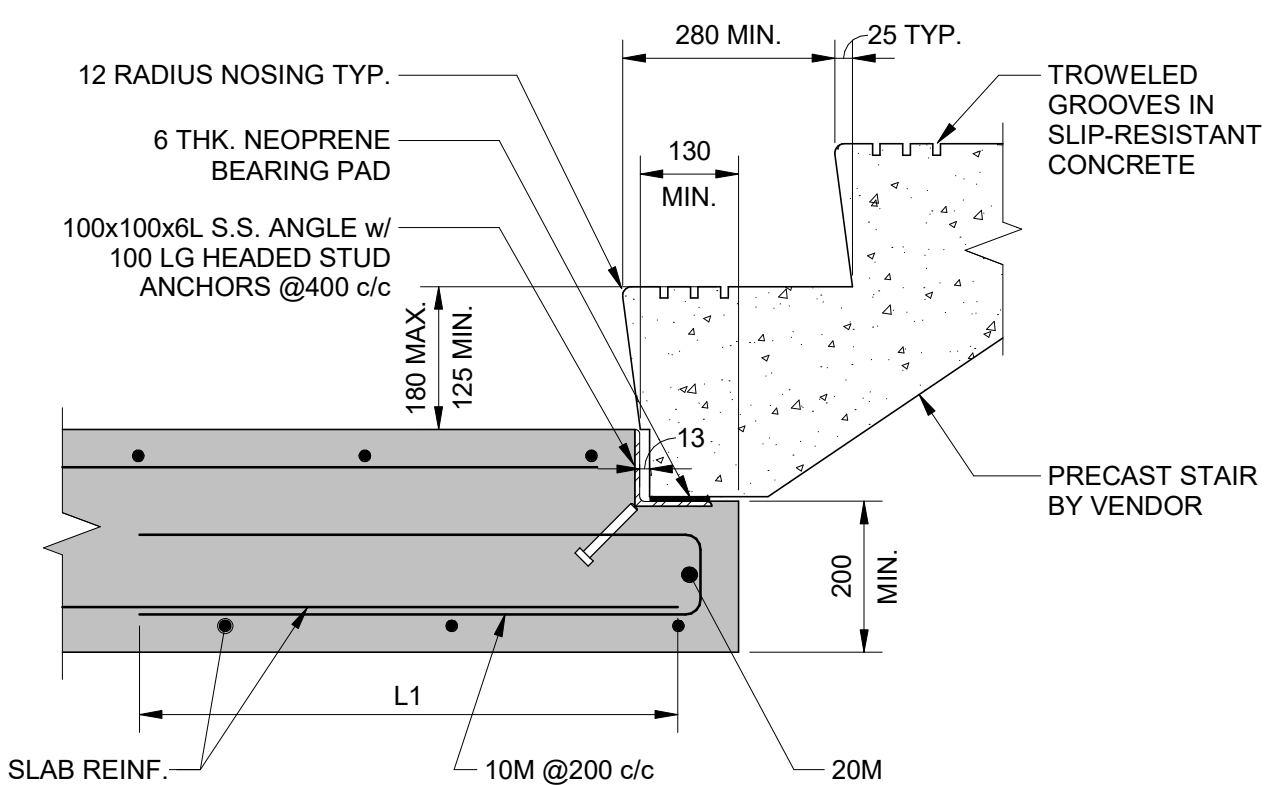
3 HOLLOWCORE WALL CONNECTION
SCALE: 1 : 20



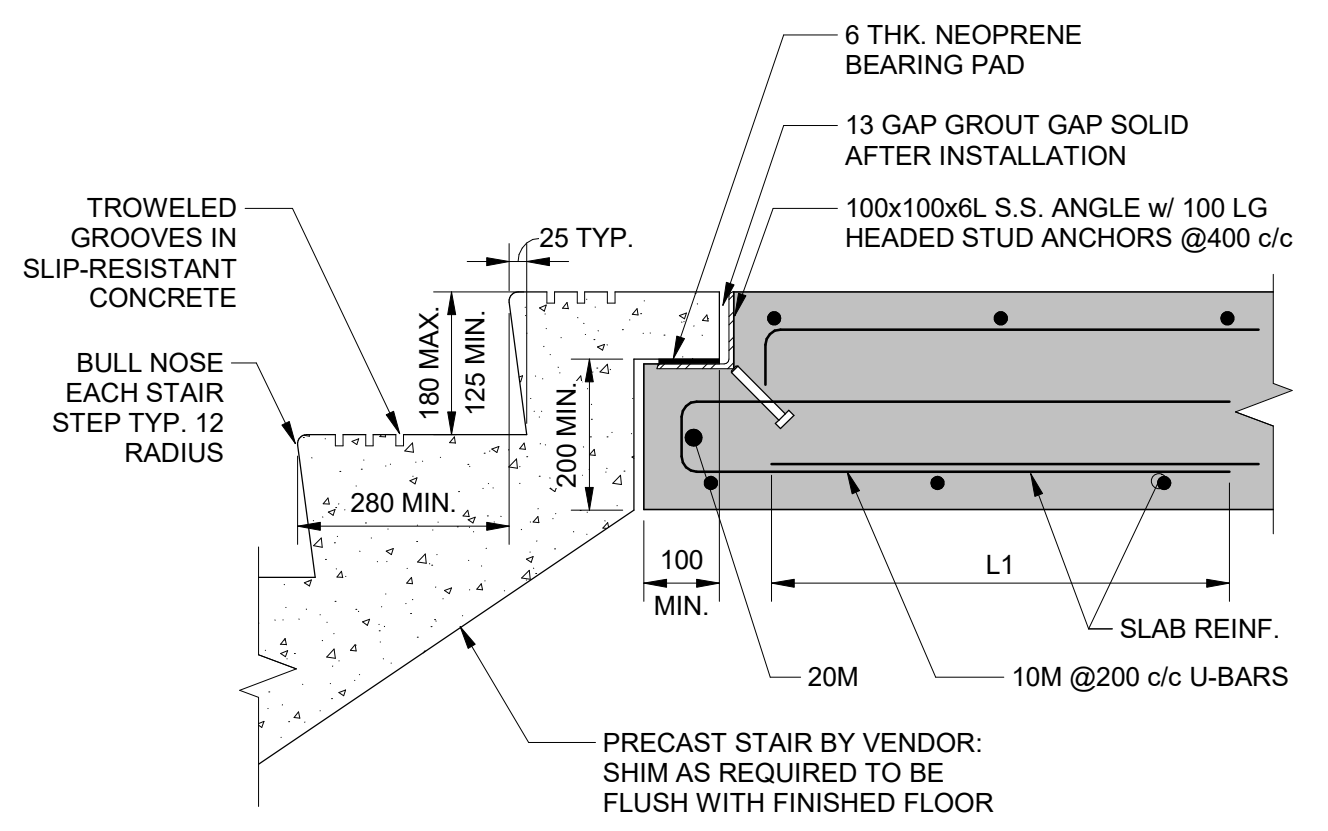
4 HOLLOWCORE HANGER SADDLE FOR OPENINGS
SCALE: 1 : 20



5 PRECAST STAIR BOTTOM WITH SLAB RECESS
SCALE: NTS

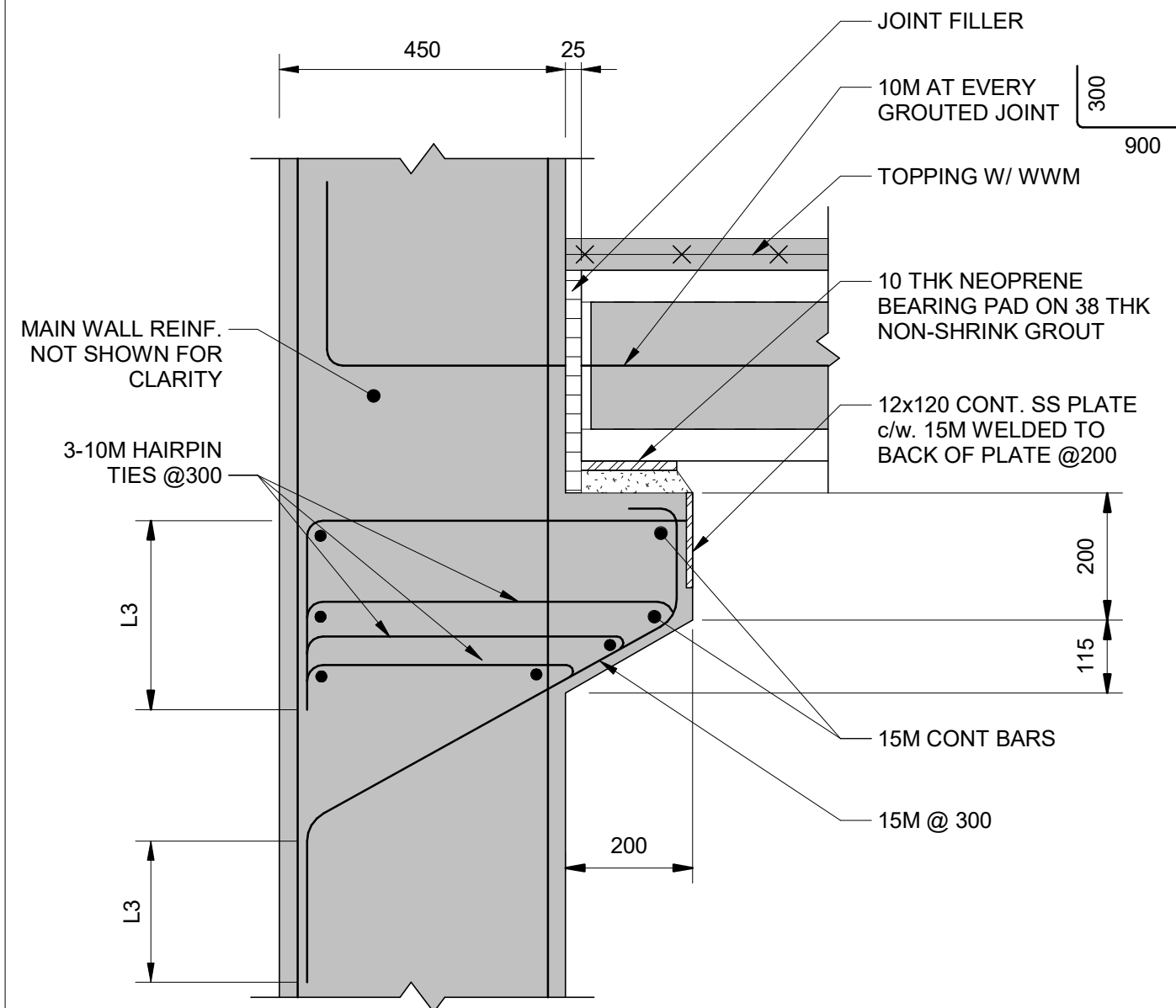


6 PRECAST STAIR AT BOTTOM LANDING
SCALE: NTS

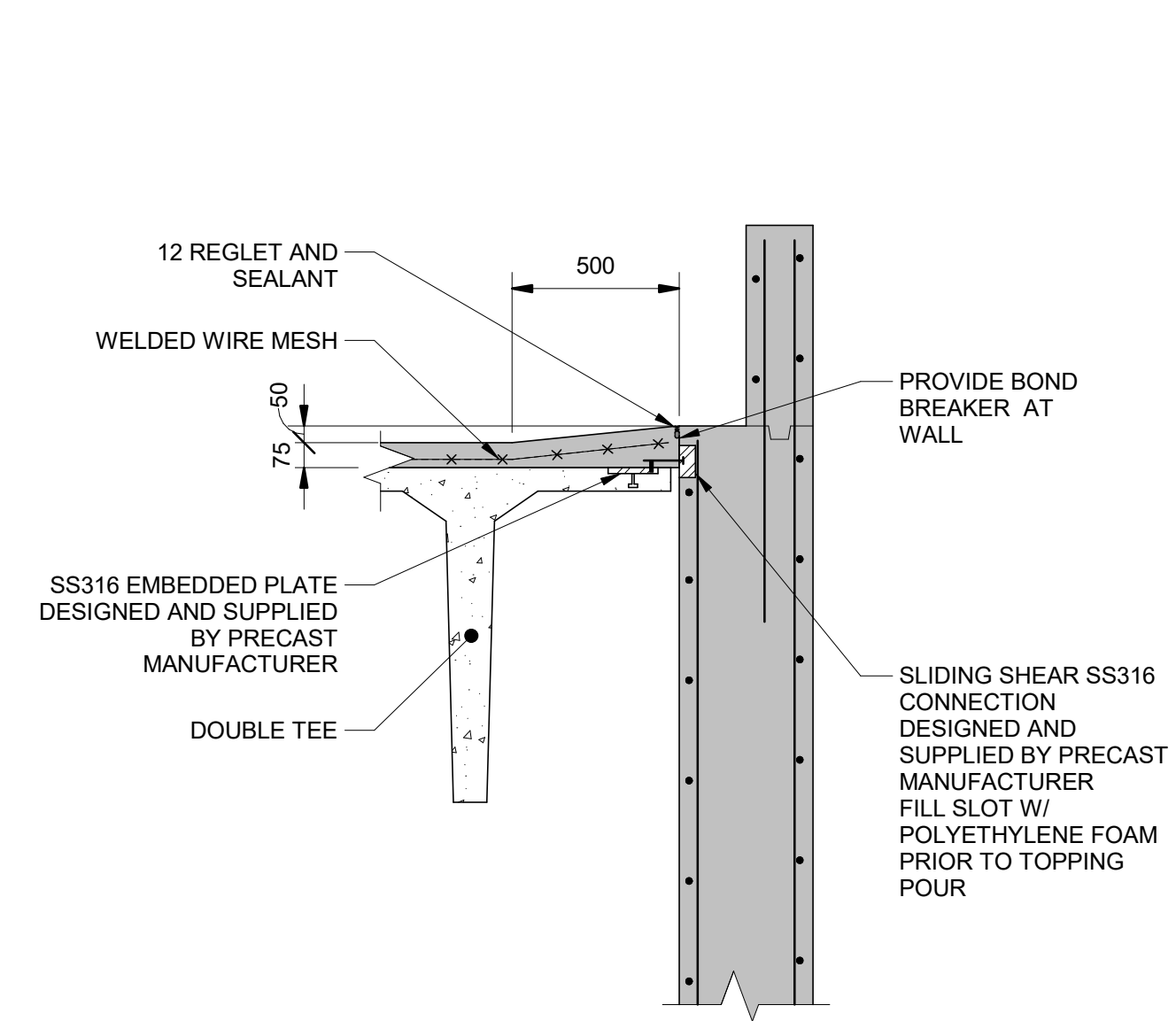


NOTES:
1. RISE AND RUN DIMENSIONS TO BE COORDINATED WITH ARCHITECTURAL PLANS.
2. STAIR GEOMETRY SHALL CONFORM TO OBC AND BE COMPATIBLE WITH THE CAST-IN-PLACE LANDING.
3. PROVIDE SHOP DRAWINGS FOR PRECAST STAIRS SEALED BY A PROFESSIONAL ENGINEER LICENSED IN THE PROVINCE OF ONTARIO.
4. TREAD RUN = MIN. 280, MAX. 355
RISE HEIGHT = MIN. 125, MAX 180

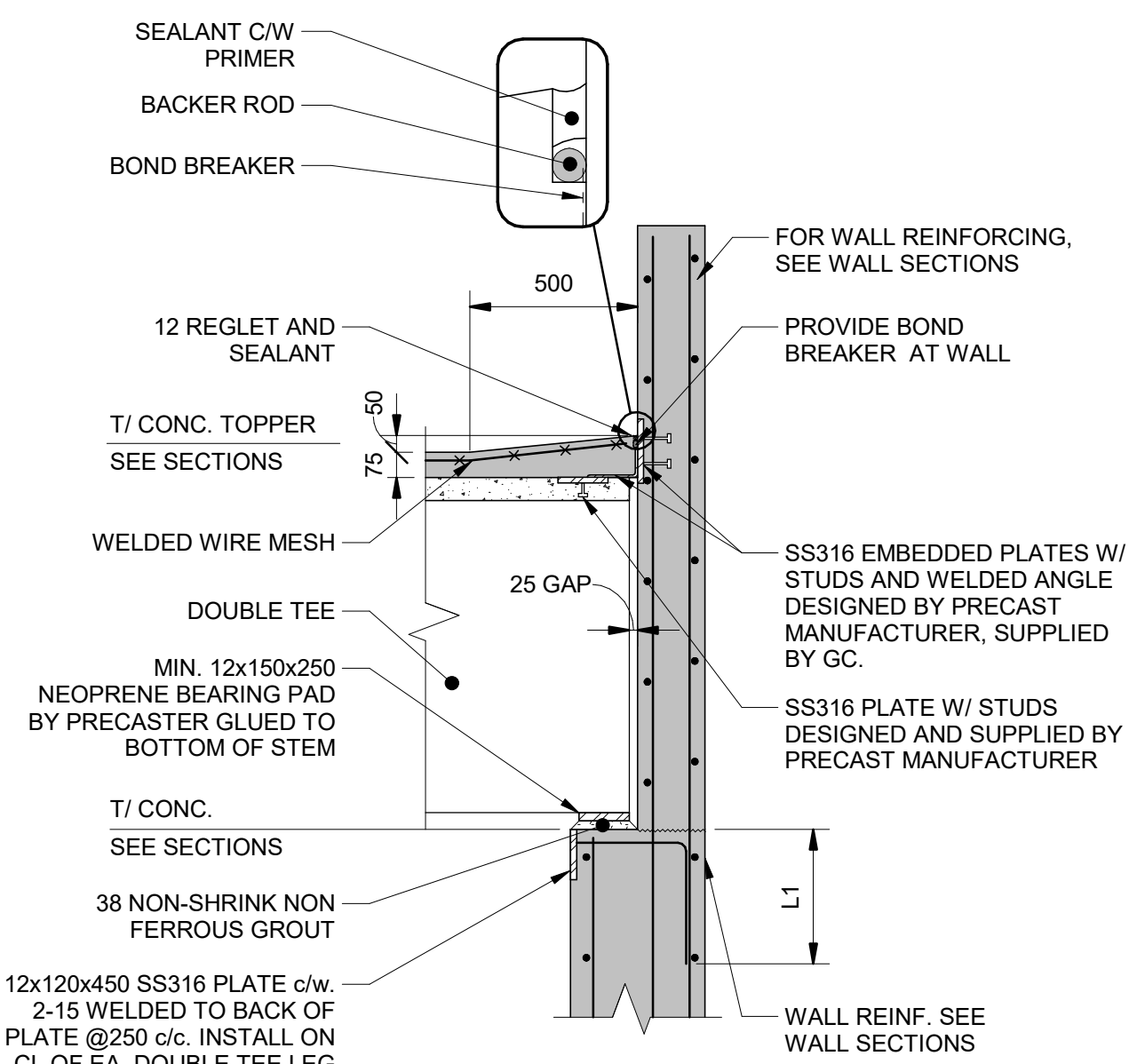
7 PRECAST STAIR AT TOP LANDING
SCALE: NTS



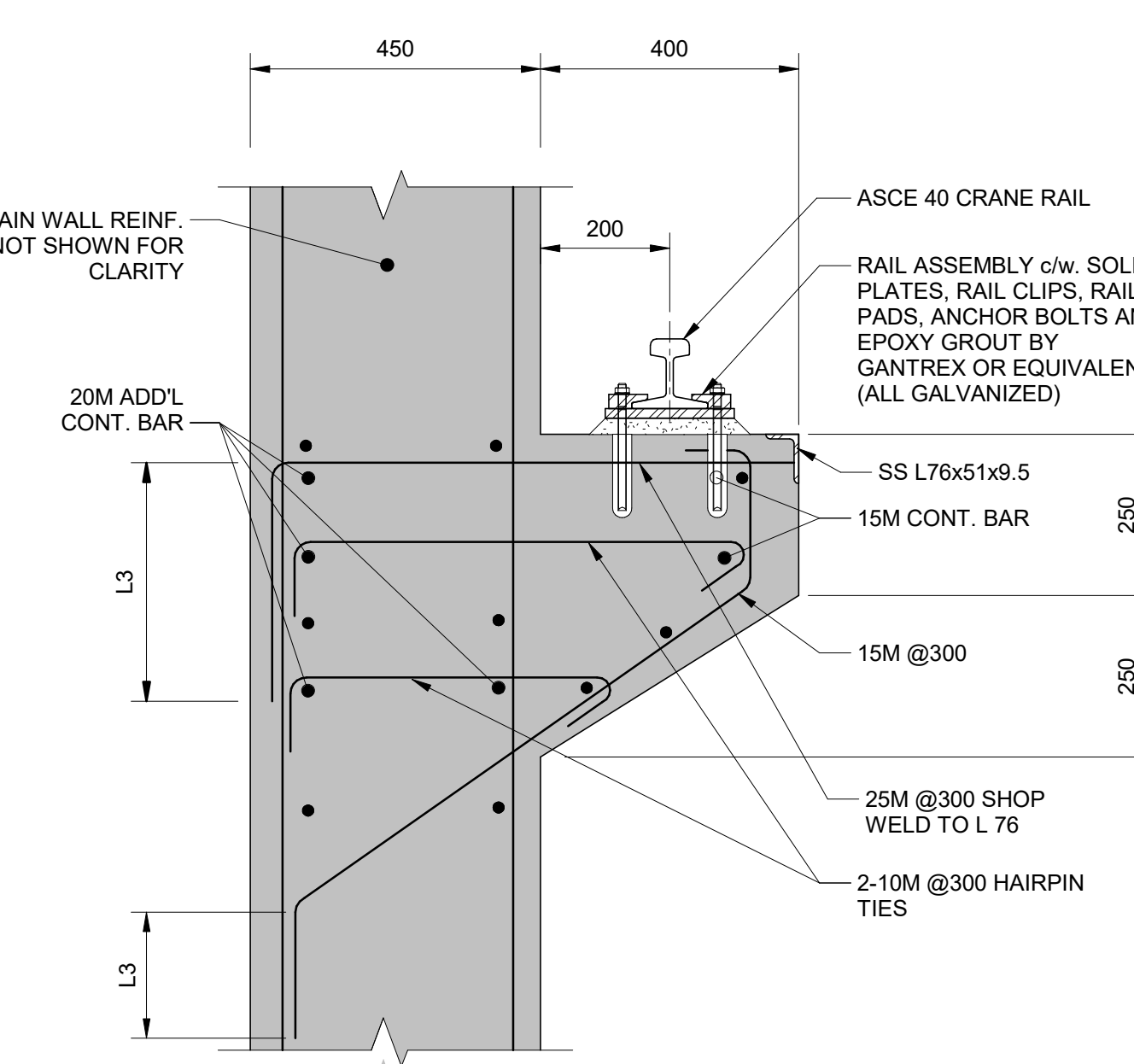
8 CORBEL SUPPORTING HOLLOWCORE SLAB
SCALE: 1 : 10



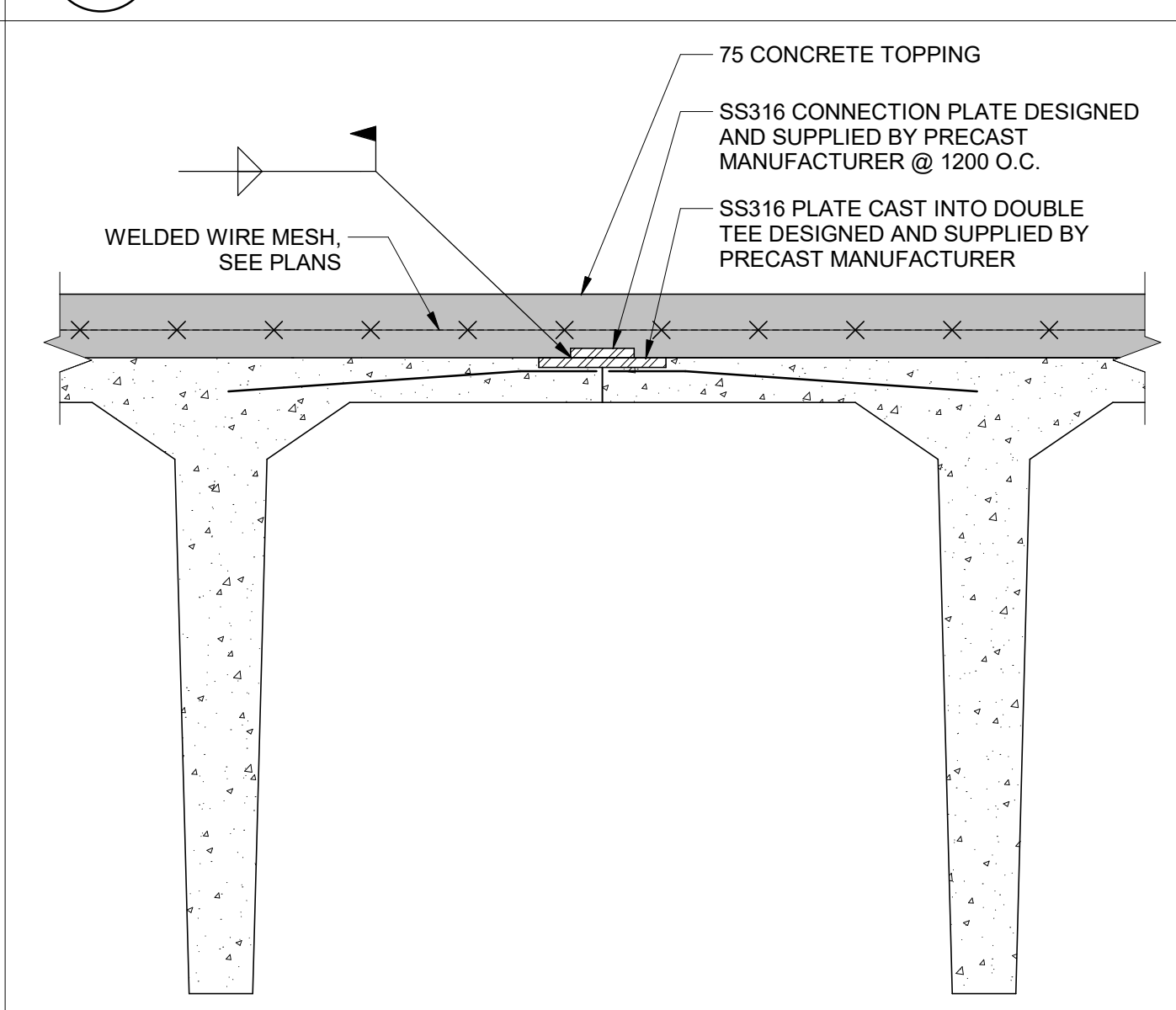
9 DOUBLE TEE PARALLEL TO WALL
SCALE: 1 : 20



10 DOUBLE TEE BEARING ON WALL
SCALE: 1 : 20



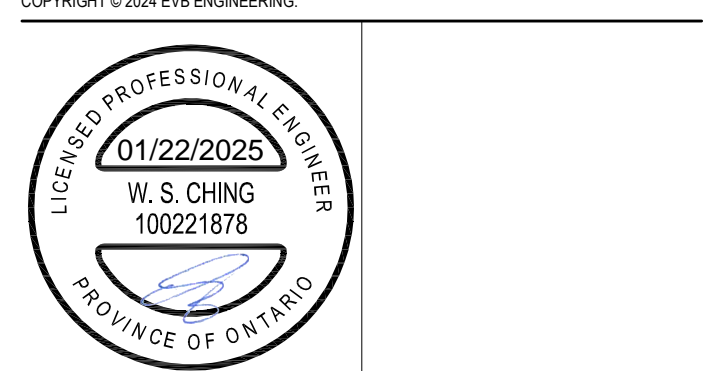
11 CORBEL SUPPORTING CRANE RAIL
SCALE: 1 : 10



12 DOUBLE TEE SHEAR CONNECTION
SCALE: 1 : 10

DATE	NO.	REVISION
2025/01/23	2	ISSUED FOR TENDER
2024/08/23	1	ISSUED FOR ECA-APPROVAL

THE DRAWINGS, ARRANGEMENTS, ANNOTATIONS AND GRAPHICAL PRESENTATIONS ON THIS DOCUMENT ARE THE PROPERTY OF EVB ENGINEERING WHO RETAINS OWNERSHIP AND AUTHORITY OF THIS DOCUMENT. IN ITS ENTIRETY THIS DOCUMENT IS AN INSTRUMENT OF SERVICE AND IS THE INTELLECTUAL AND PHYSICAL PROPERTY OF EVB ENGINEERING. AUTHORIZED USE OF THIS DRAWING IS GRANTED SOLELY FOR THE PURPOSE OF THIS SPECIFIC PROJECT AND LOCATION, AND NOT FOR CONSTRUCTION OR USE FOR ANY OTHER PROJECT.
COPYRIGHT © 2024 EVB ENGINEERING.



CONSULTANT:
EVB ENGINEERING
800 SECOND STREET WEST
CORNWALL, ONTARIO CANADA, K6J 1H6
TEL: 613-935-3775 | FAX: 613-935-6450
WEBSITE: EVBengineering.com

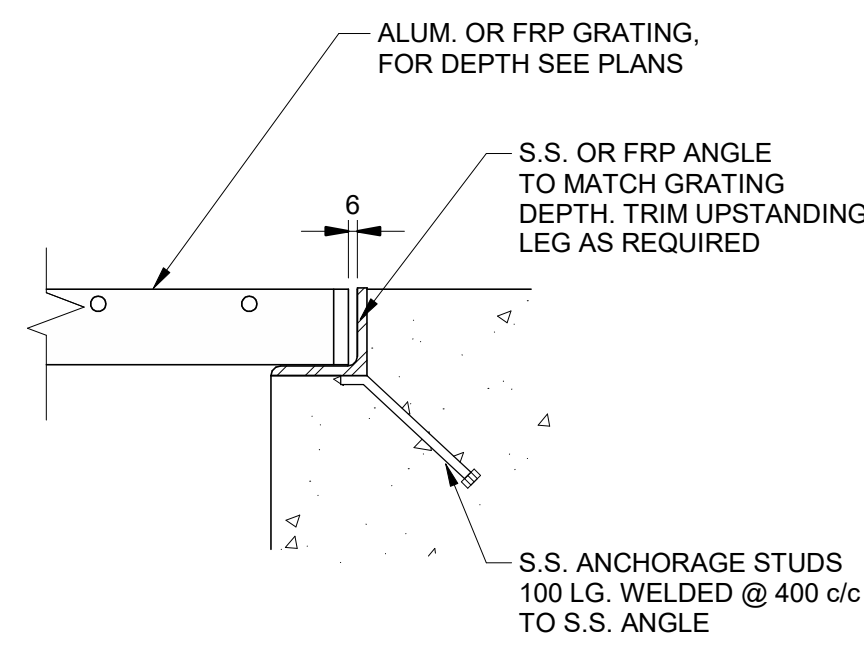
SUB-CONSULTANT:
CIMA+

CLIENT:
Greater Napanee
GRANDS FOR MANY SEASONS

PROJECT:
NEW NAPANEE WPCP

TITLE:
STANDARD PRECAST CONCRETE DETAILS

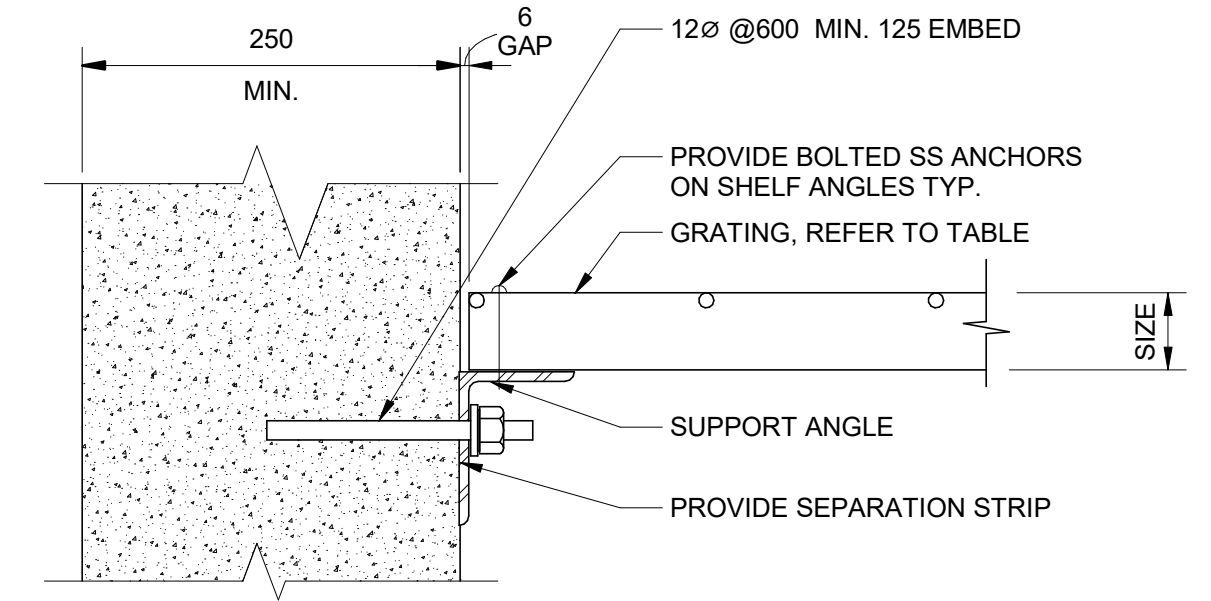
SCALE:	JOB NO:
As indicated	22001
DESIGNED BY:	DATE:
YF/WC	2025/01/23
DRAWN BY:	DRAWING NO.:
KDS/ILM	S0403
CHECKED BY:	WC



GRATING THK.	ANGLE SIZE (6.35 THK.)
38.1	L 44.5 x 44.5

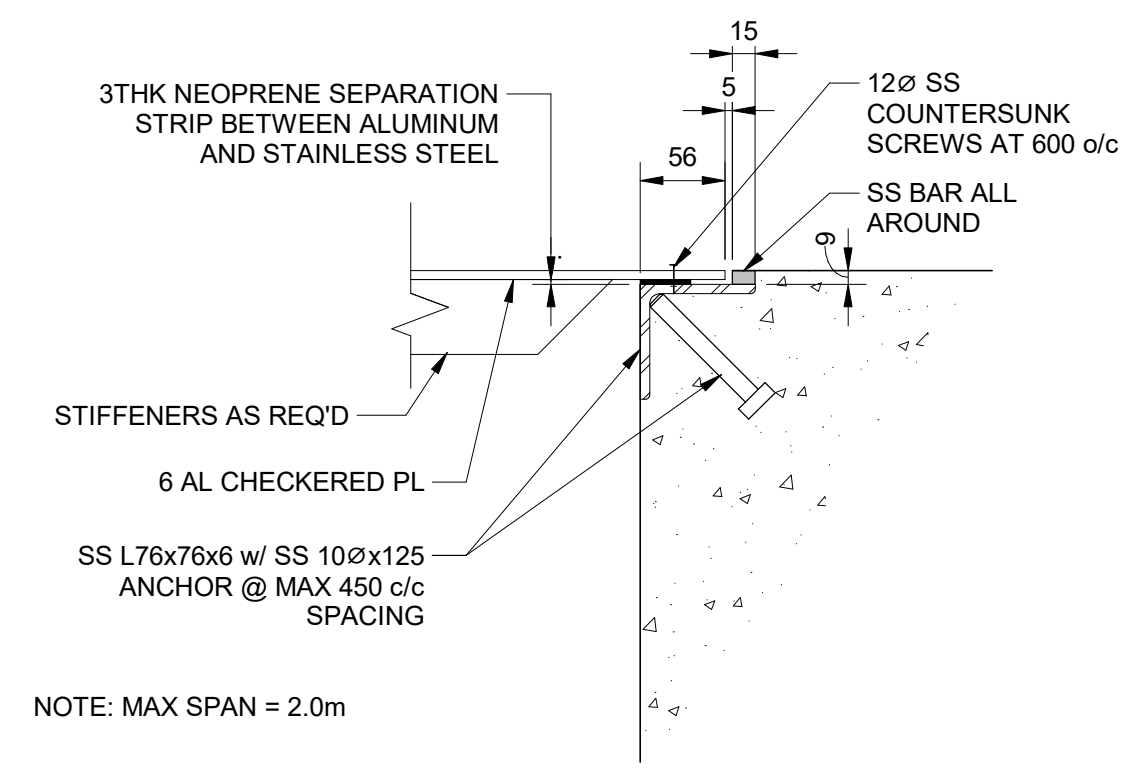
NOTE:
1. TRIM UPSTANDING LEG OF EQUAL LEG.

1 GRATING BEARING ON CONCRETE
SCALE: 1 : 5

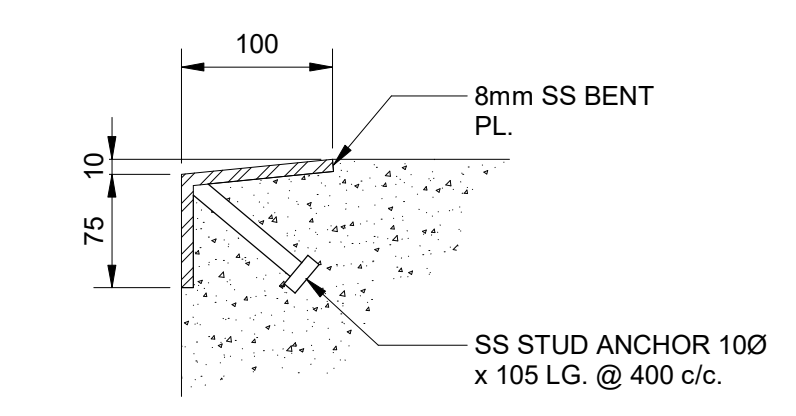


GRATING SIZE (mm)	GRATING MATERIAL	SUPPORT ANGLE	SUPPORT MATERIAL	ANCHOR	ANCHOR SHEAR CAPACITY (kN)
38x5	ALUM 6060 - T6	L102x76x6.4 (LLV)	ALUM.	HIT-HY 200 + HAS-R-316SS	37

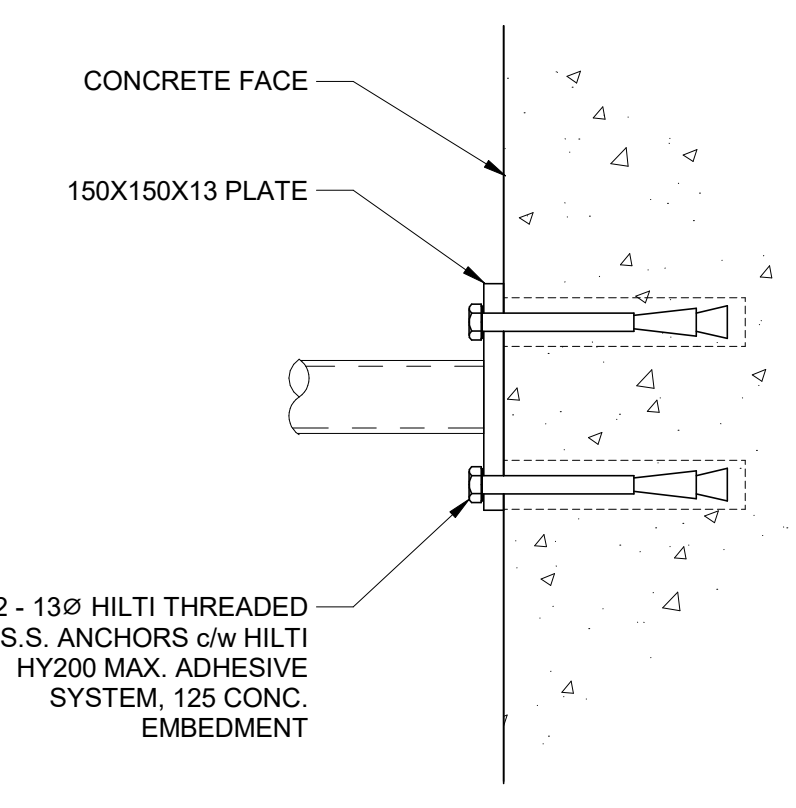
2 GRATING ON ANGLE
SCALE: 1 : 5



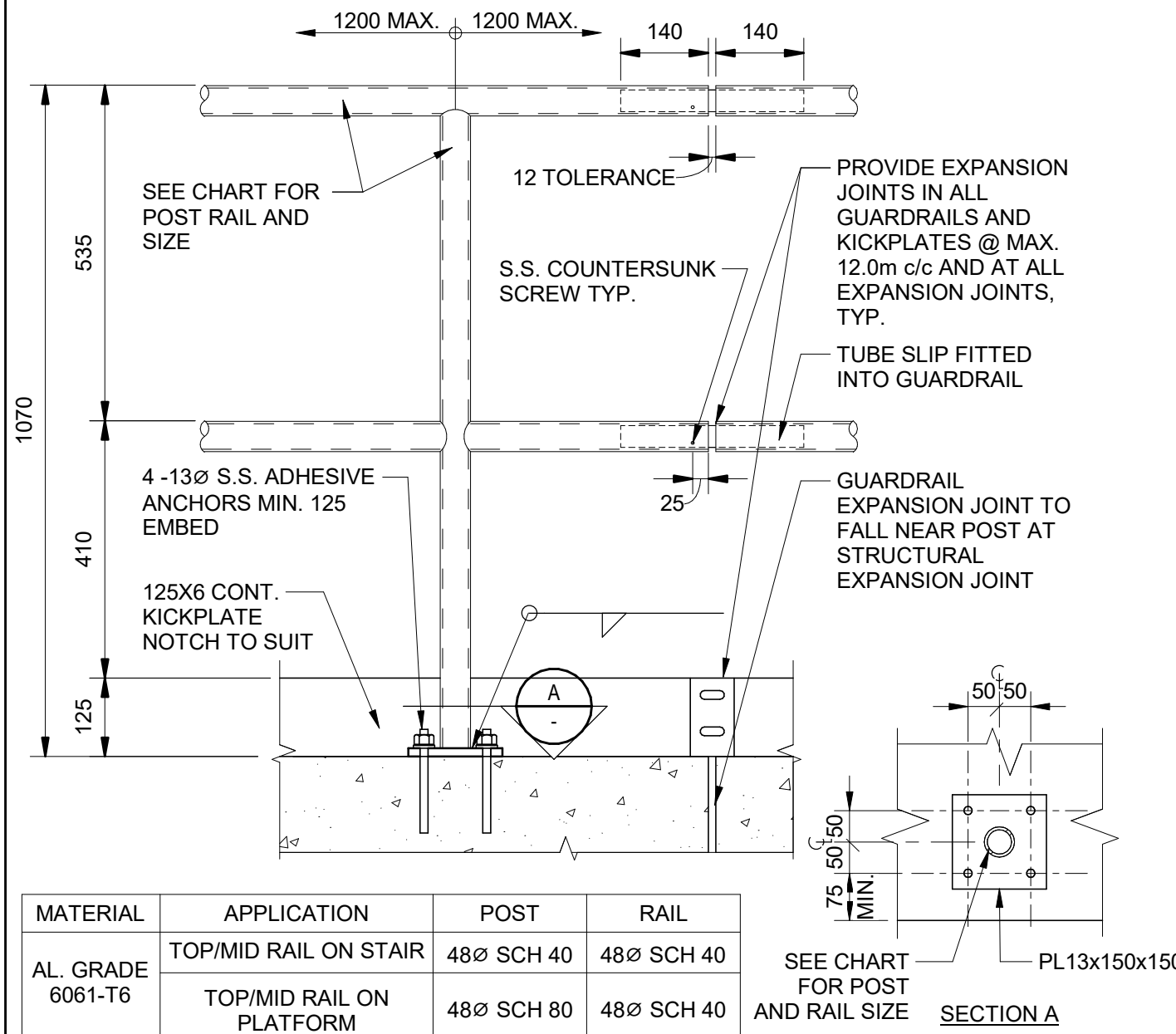
3 CHECKERED PLATE SUPPORT DETAIL
SCALE: NTS



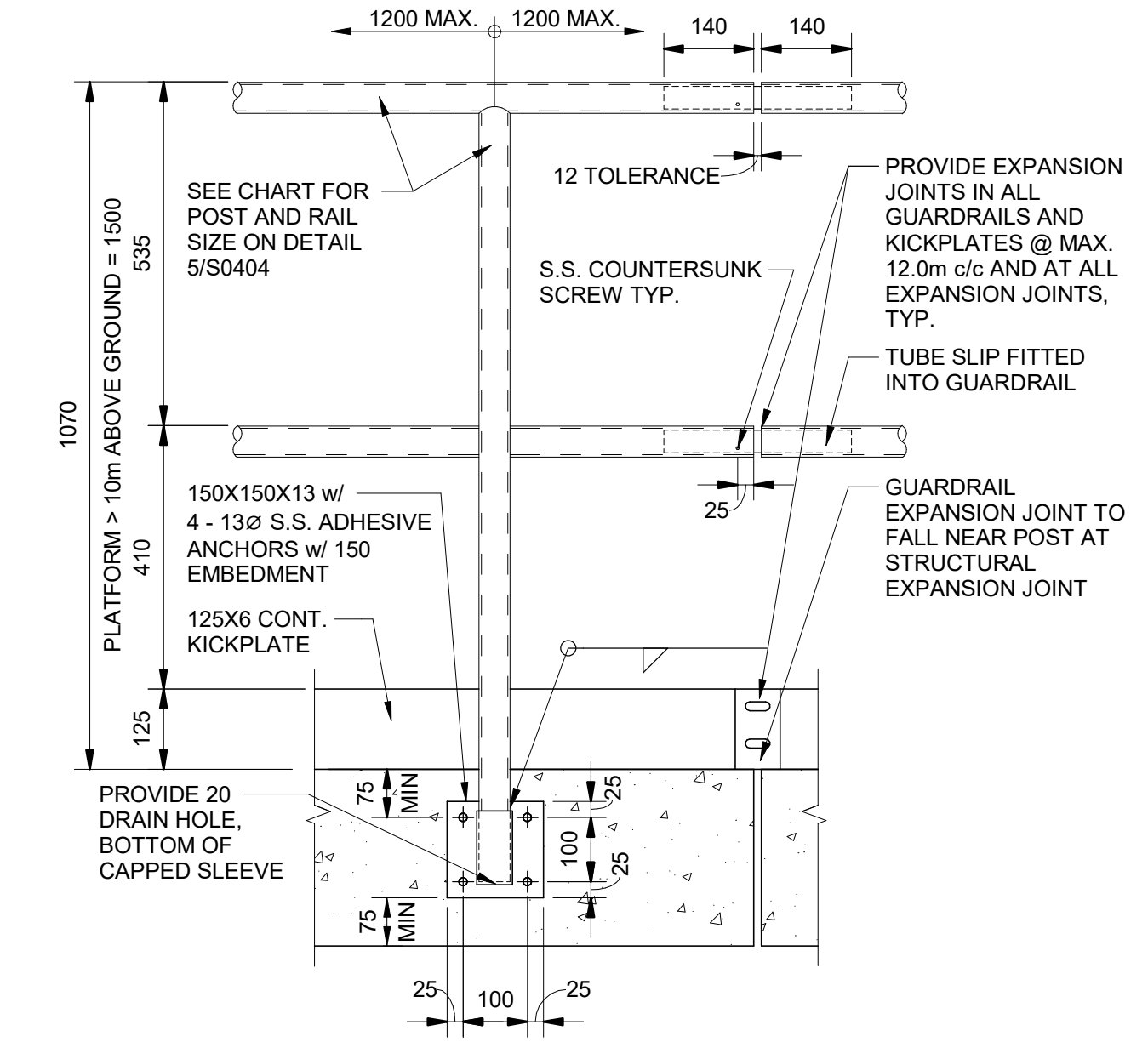
4 PROTECTION ANGLE AT DOOR
SCALE: NTS



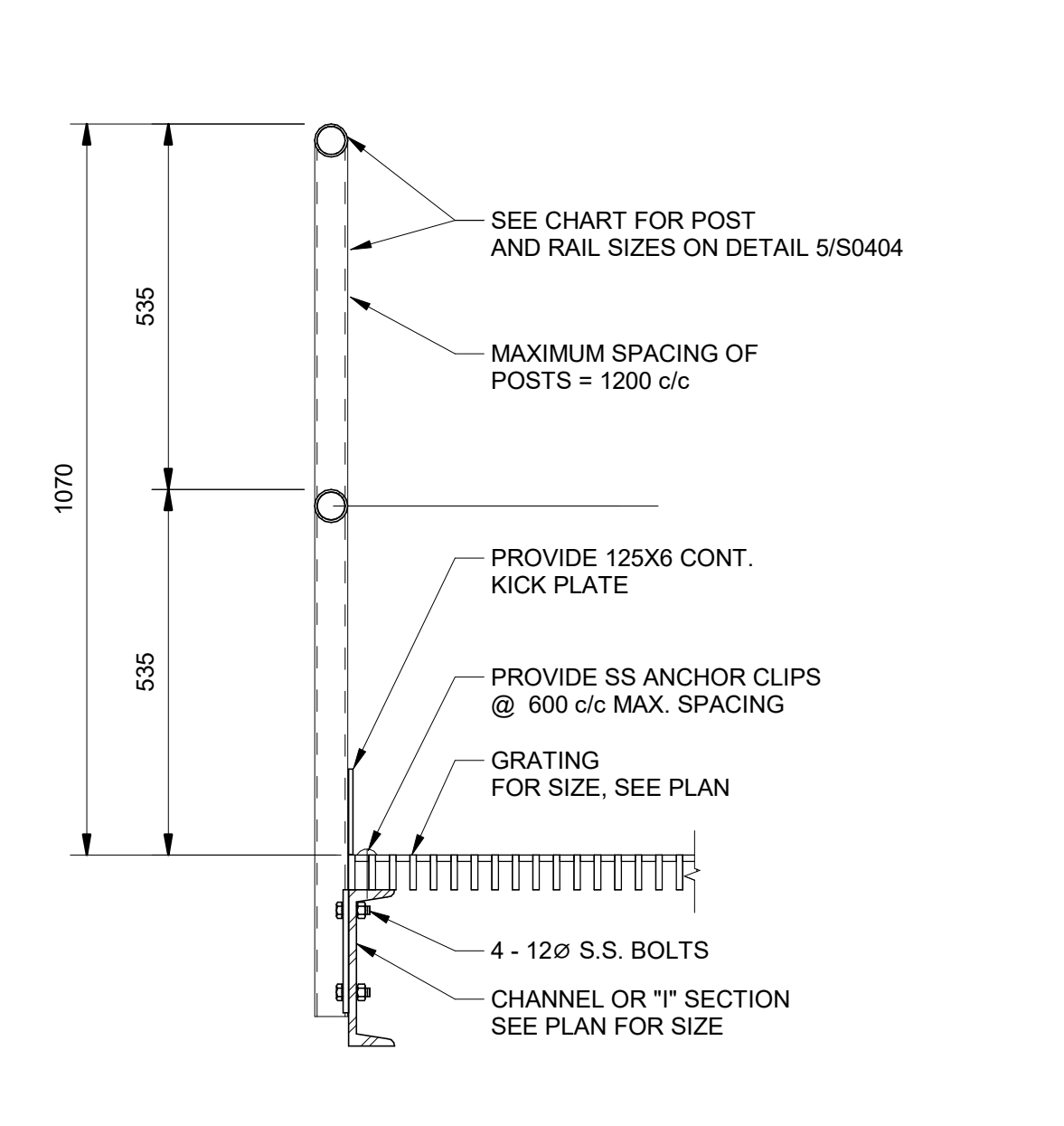
5 HANDRAIL CONNECTION TO CONCRETE WALL
SCALE: 1 : 5



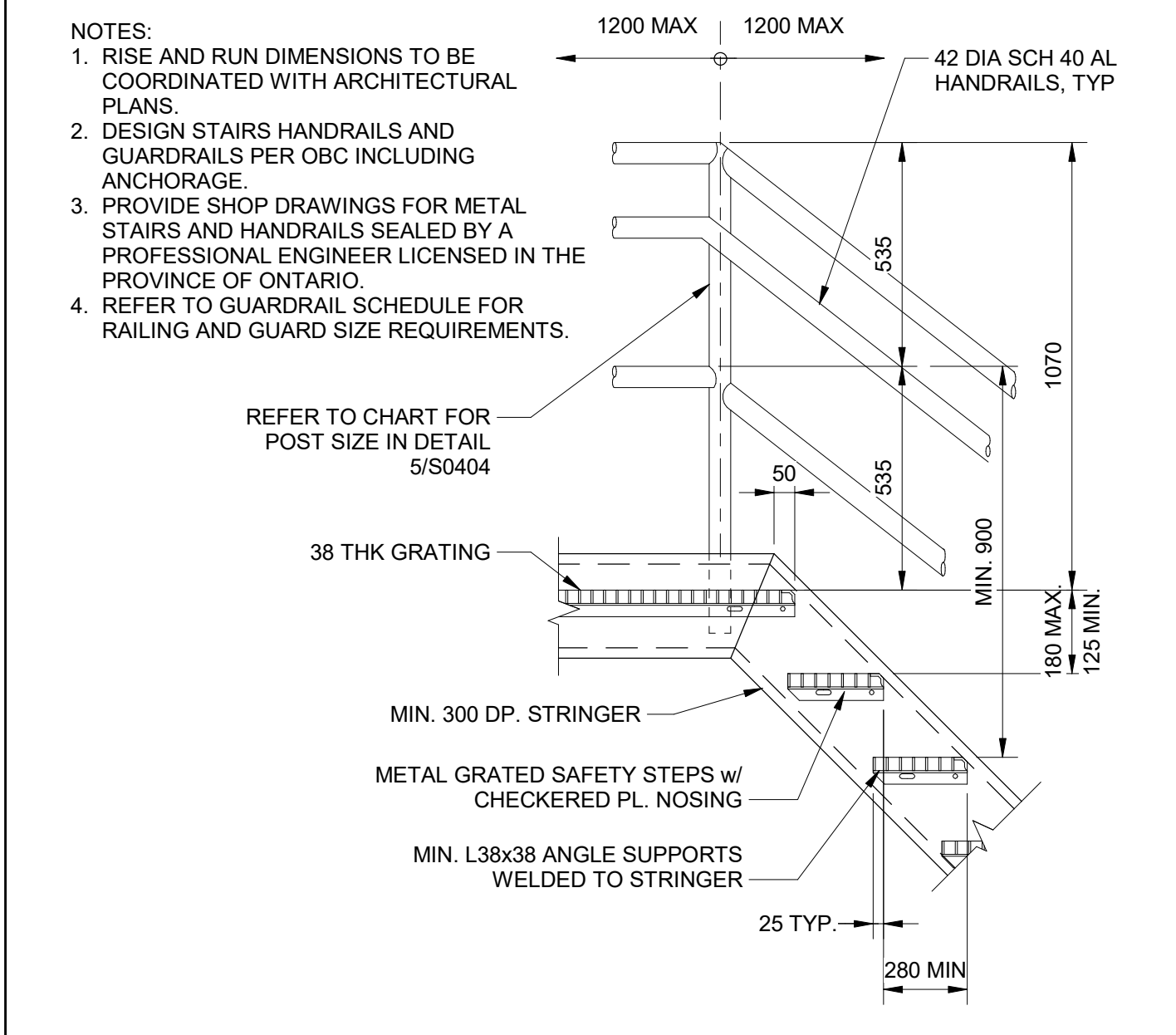
6 TOP MOUNTED GUARDRAIL ON CONCRETE
SCALE: 1 : 10



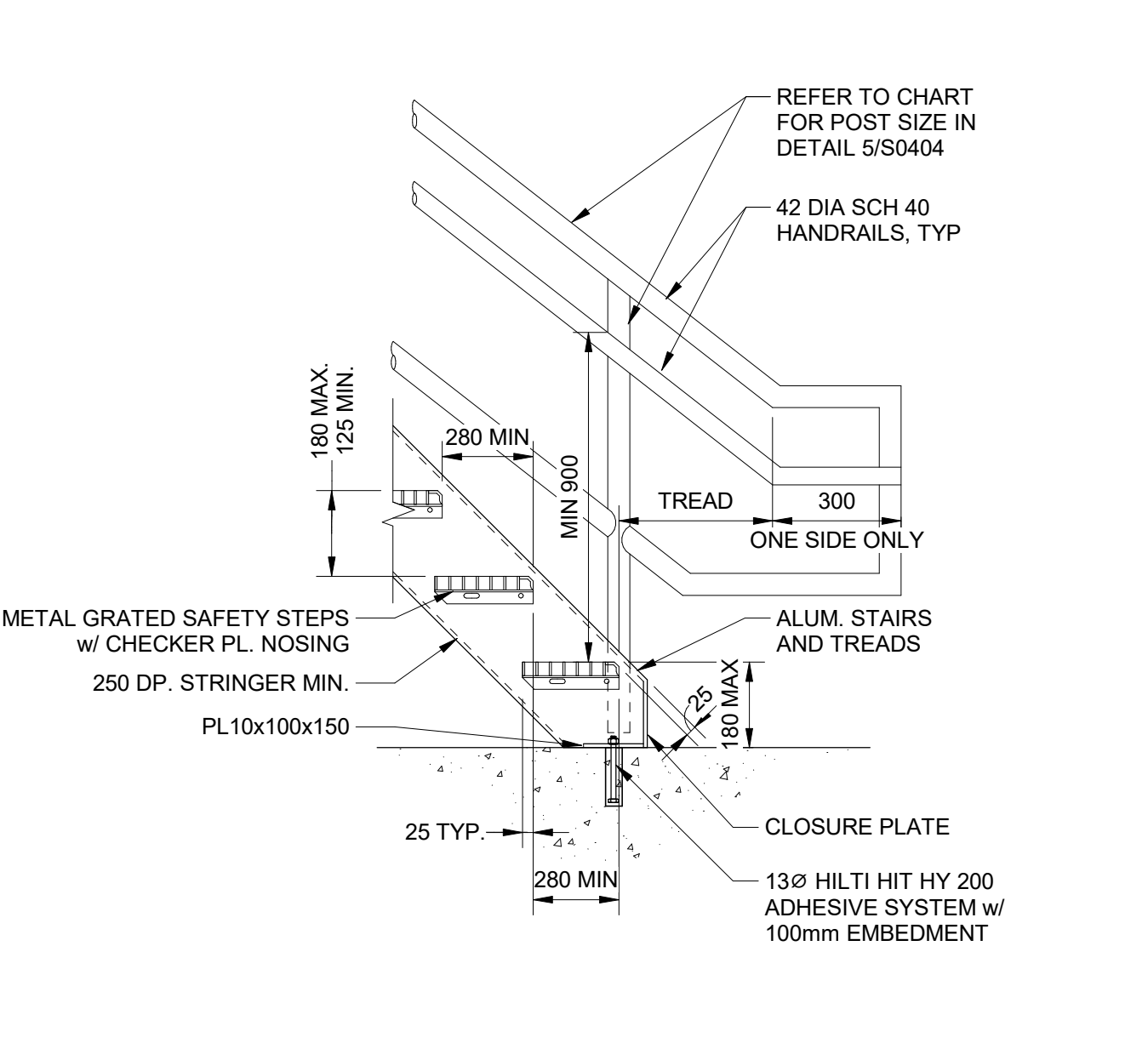
7 SIDE MOUNTED GUARDRAIL ON CONCRETE
SCALE: 1 : 10



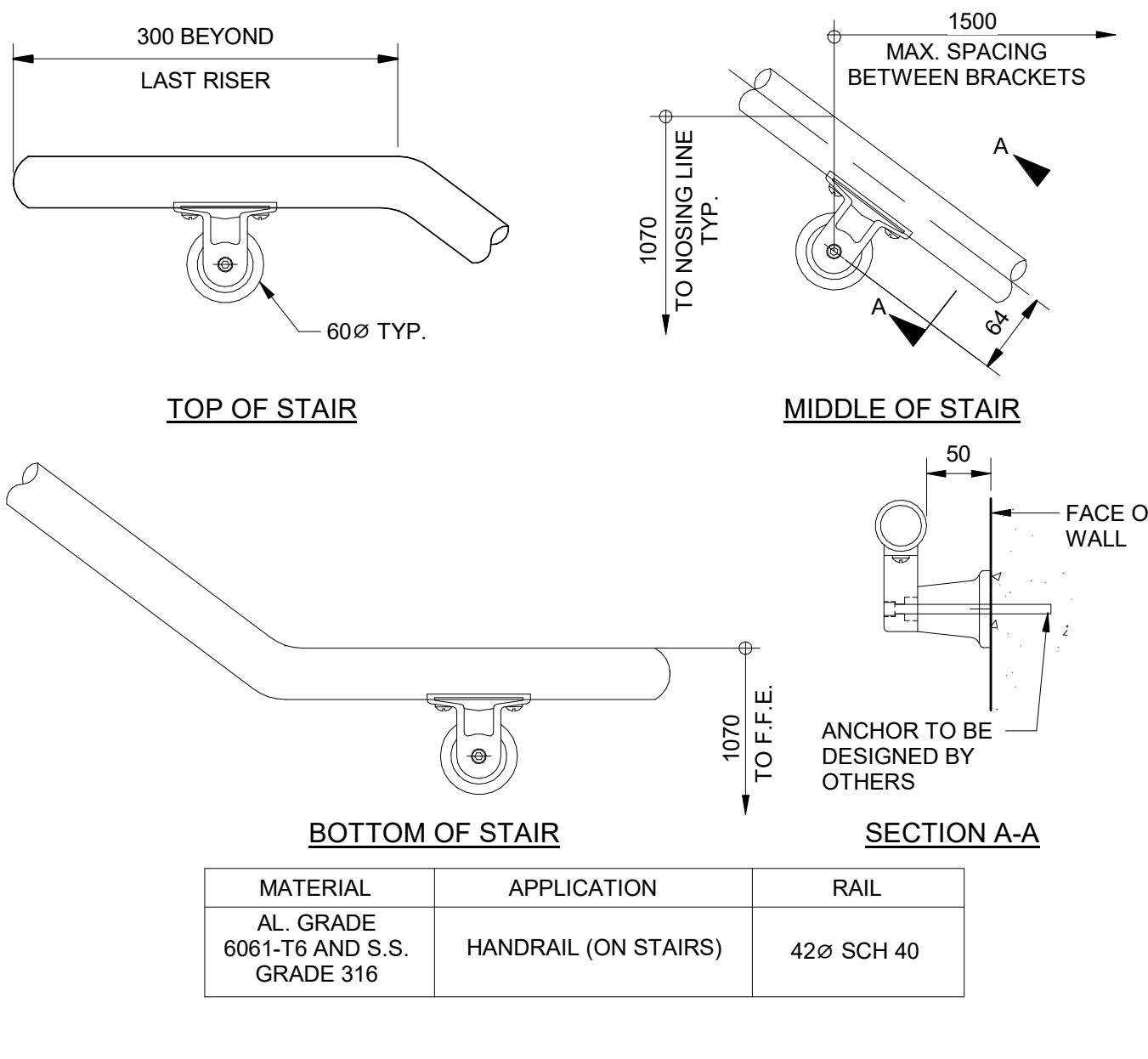
8 GUARDRAIL ON PLATFORM
SCALE: 1 : 10



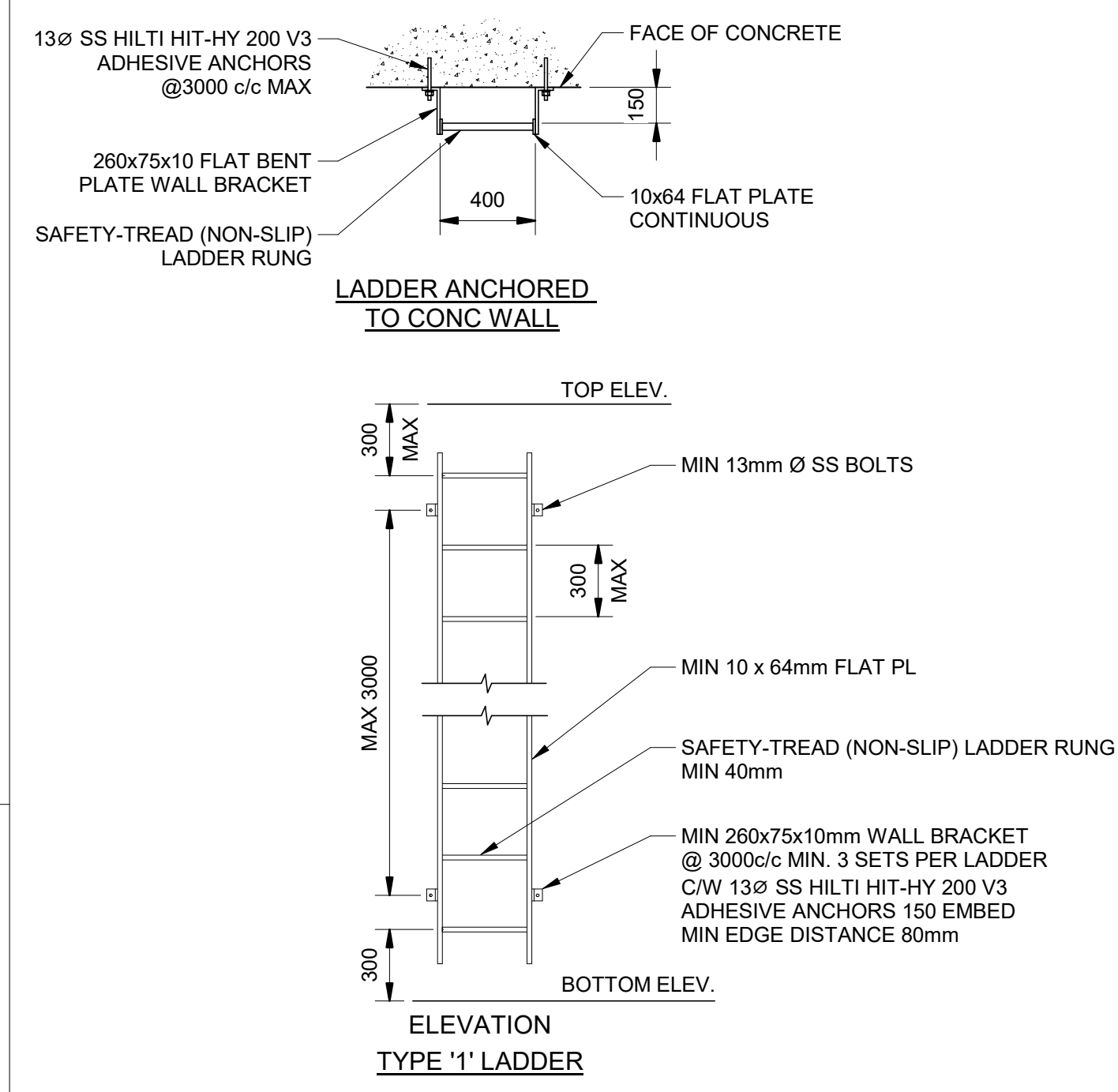
9 METAL AT TOP LANDING STAIR
SCALE: NTS



10 METAL STAIR AT BOTTOM LANDING
SCALE: NTS



11 WALL MOUNTED HANDRAIL
SCALE: 1 : 5



LADDER No.	TYPE	MATERIAL	TOP ELEVATION	BOTTOM ELEVATION	LOCATION	ACCESSORIES
L101	1	SS	EL 80.700	EL. 74.500	SLUDGE BUFFER TANK 1	2
L102	1	SS	EL 80.700	EL. 74.500	SLUDGE BUFFER TANK 2	2
L103	1	SS	EL 80.850	EL. 72.575	INFLUENT BUFFER TANK 1	2
L104	1	SS	EL 80.850	EL. 72.575	INFLUENT BUFFER TANK 2	2
L105	1	AL	EL 85.725	EL. 81.760	HEADWORKS / GF	1, 3
L106	1	SS	EL 80.850	EL. 79.000	IPS SPLITTER BOX	2
L301	1	AL	EL 86.900	EL 83.050	OP. BLDG / ROOF	1, 3, 4, 5
LA01	1	AL	EL 86.225	EL 78.018	UV ROOM / ROOF	1, 3, 6

NOTES:
1. GUARDRAIL/GRAB BARS AT THE TOP W/ D-RING TRANSFER ANCHOR.
2. FALL RESTRAINT BY PORTABLE TRIPOD.
3. FALL-ARREST MID-RAIL SYSTEM.
4. LADDER BOTTOM CONNECTION TO THE CONCRETE PAD.
5. FOR TOP CONNECTION DETAIL, SEE DETAIL 3/S3102. EXTEND LADDER 900 ABOVE FLOOR GRATING.
6. FOR TOP CONNECTION DETAIL, SEE DETAIL 10/S4401.

12 LADDER DETAIL AND SCHEDULE
SCALE: 1 : 25

DATE	NO.	REVISION
2025/01/23	2	ISSUED FOR TENDER
2024/08/23	1	ISSUED FOR ECA APPROVAL

THE DRAWINGS, ARRANGEMENTS, ANNOTATIONS AND GRAPHICAL PRESENTATIONS ON THIS DOCUMENT ARE THE PROPERTY OF EVB ENGINEERING WHO RETAINS OWNERSHIP AND AUTHORITY OF THIS DOCUMENT. IN ITS ENTIRETY THIS DOCUMENT IS AN INSTRUMENT OF SERVICE AND IS THE INTELLECTUAL AND PHYSICAL PROPERTY OF EVB ENGINEERING. AUTHORIZED USE OF THIS DRAWING IS GRANTED SOLELY FOR THE PURPOSE OF THIS SPECIFIC PROJECT AND LOCATION, AND NOT FOR CONSTRUCTION OR USE FOR ANY OTHER PROJECT. COPYRIGHT © 2024 EVB ENGINEERING.

CONSULTANT:
EVB ENGINEERING
800 SECOND STREET WEST
CORNWALL, ONTARIO CANADA, K6J 1H6
TEL: 613-935-3775 | FAX: 613-935-6450
WEBSITE: EVBengineering.com

SUB-CONSULTANT:
CIMA+

CLIENT:
Greater Napanee
GRANDS FOR WATER SECURITY

PROJECT:
NEW NAPANEE WPCP

TITLE:
STANDARD METAL DETAILS

SCALE:
As indicated

DESIGNED BY:
YF/WC

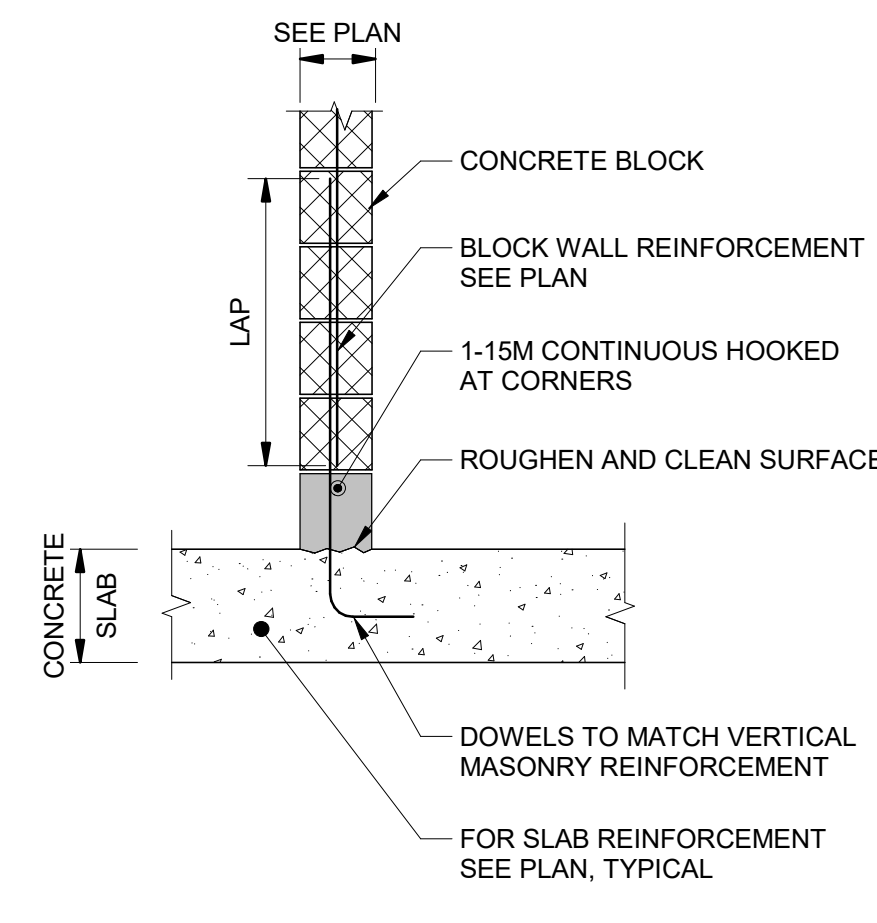
DRAWN BY:
KDS/ILM

CHECKED BY:
WC

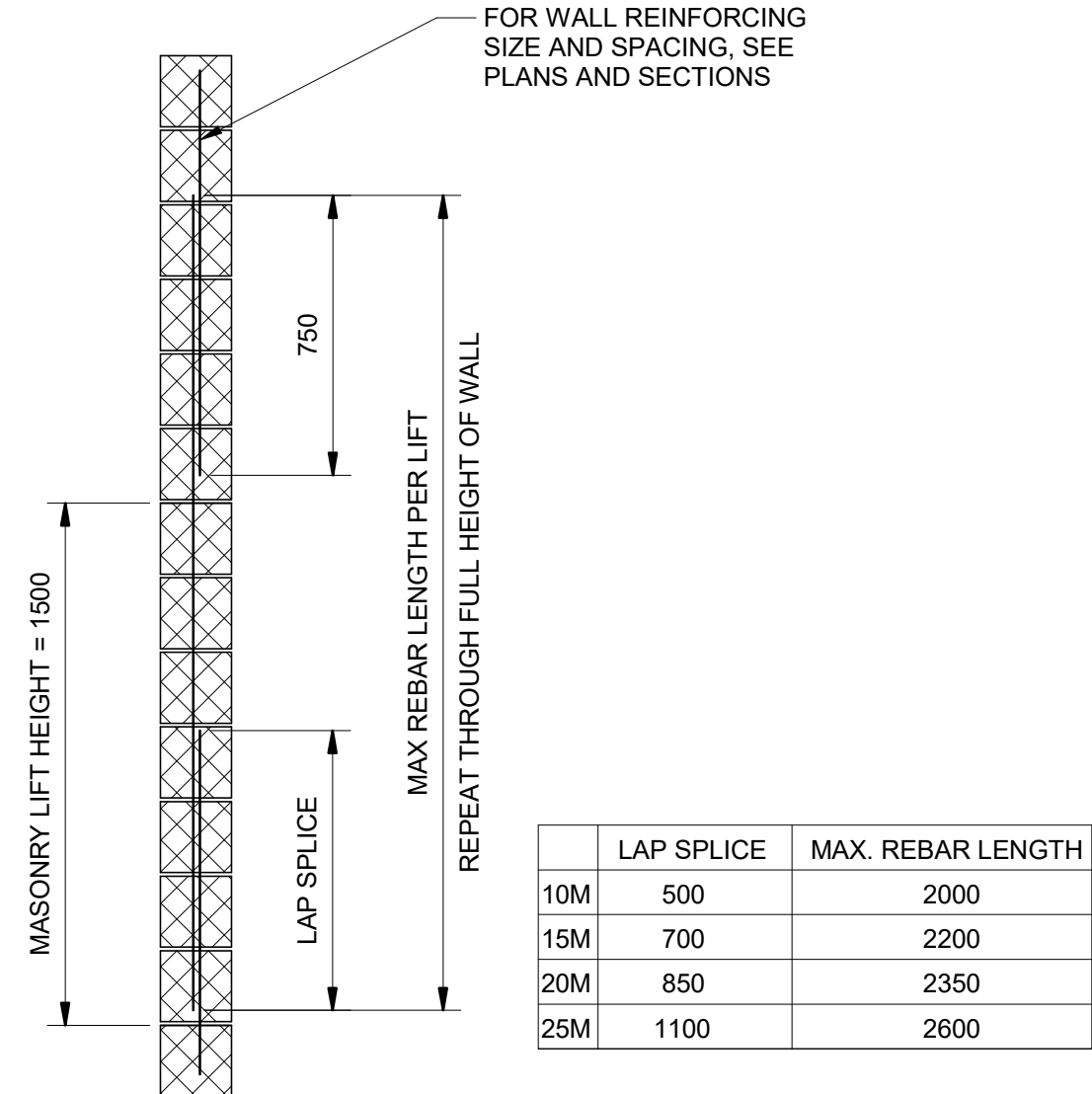
JOB NO:
22001

DATE:
2025/01/23

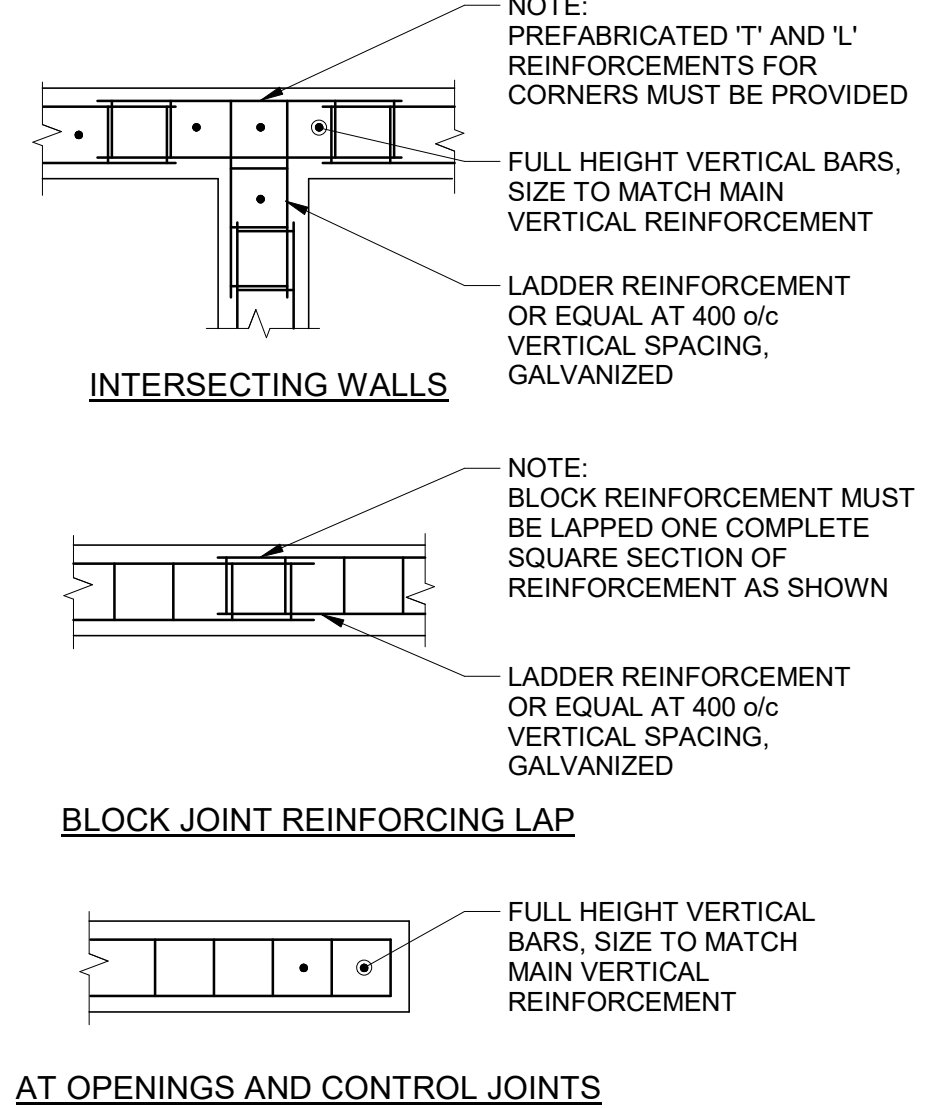
DRAWING NO:
S0404



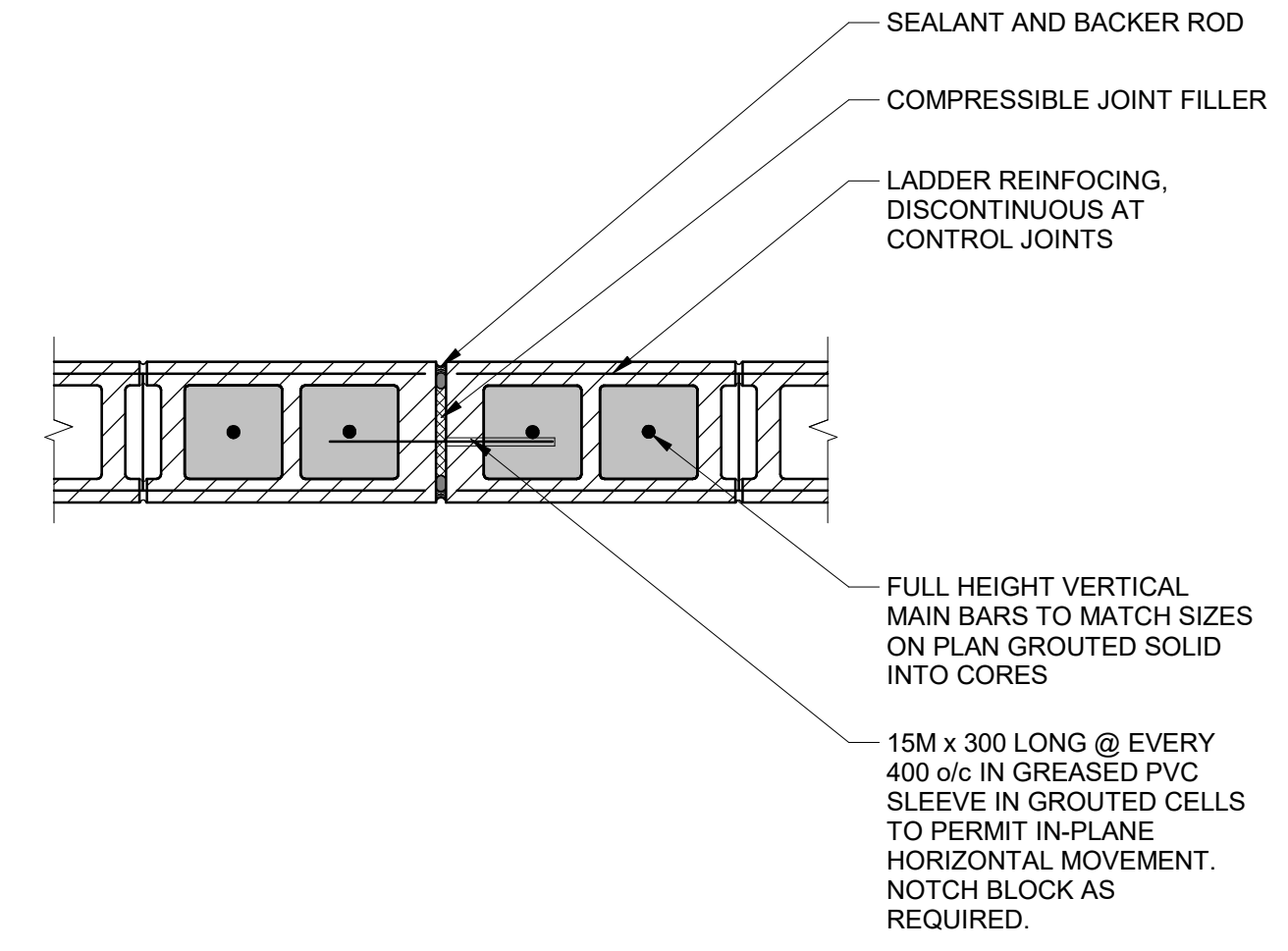
1 200 HIGH CURB IN CMU WALL
SCALE: 1 : 20



2 BLOCK WALL REBAR LAP
SCALE: 1 : 20

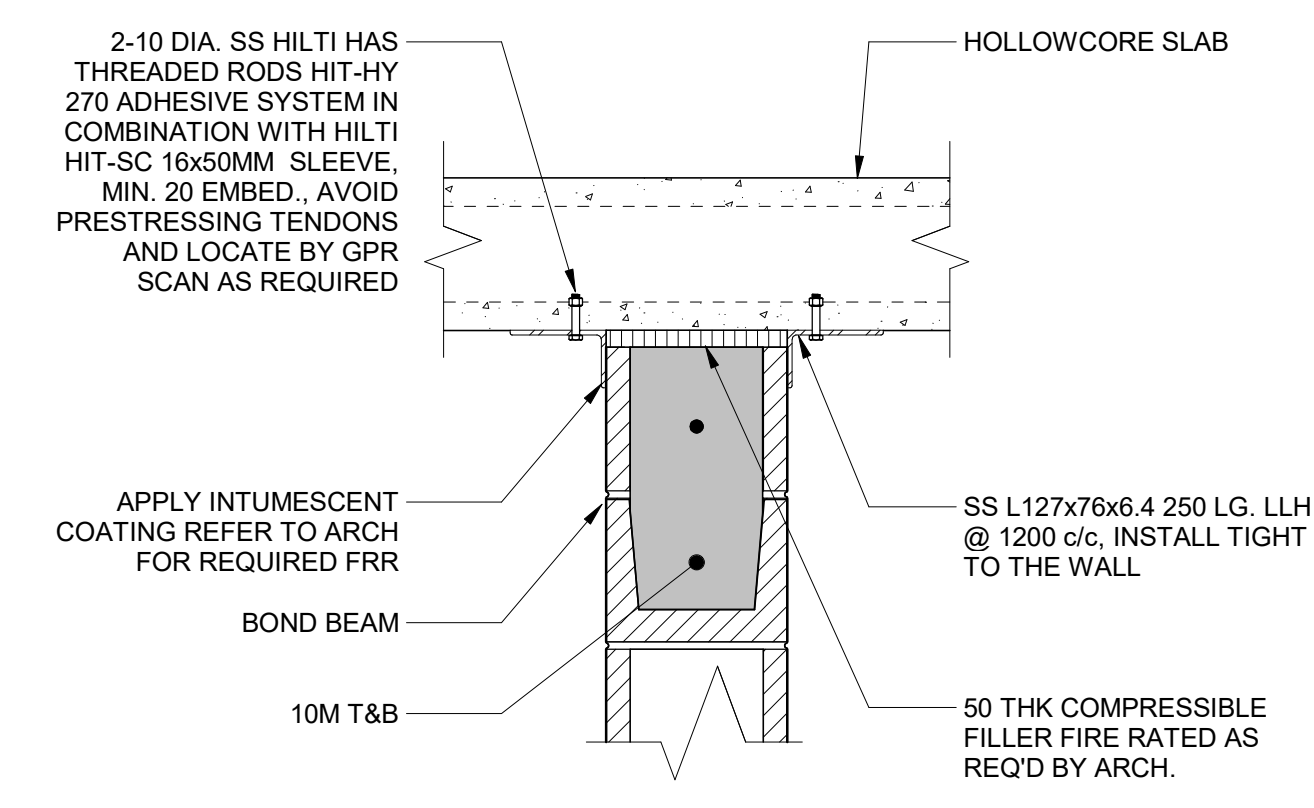


3 BLOCK WALL LADDER REINFORCEMENT
SCALE: 1 : 20

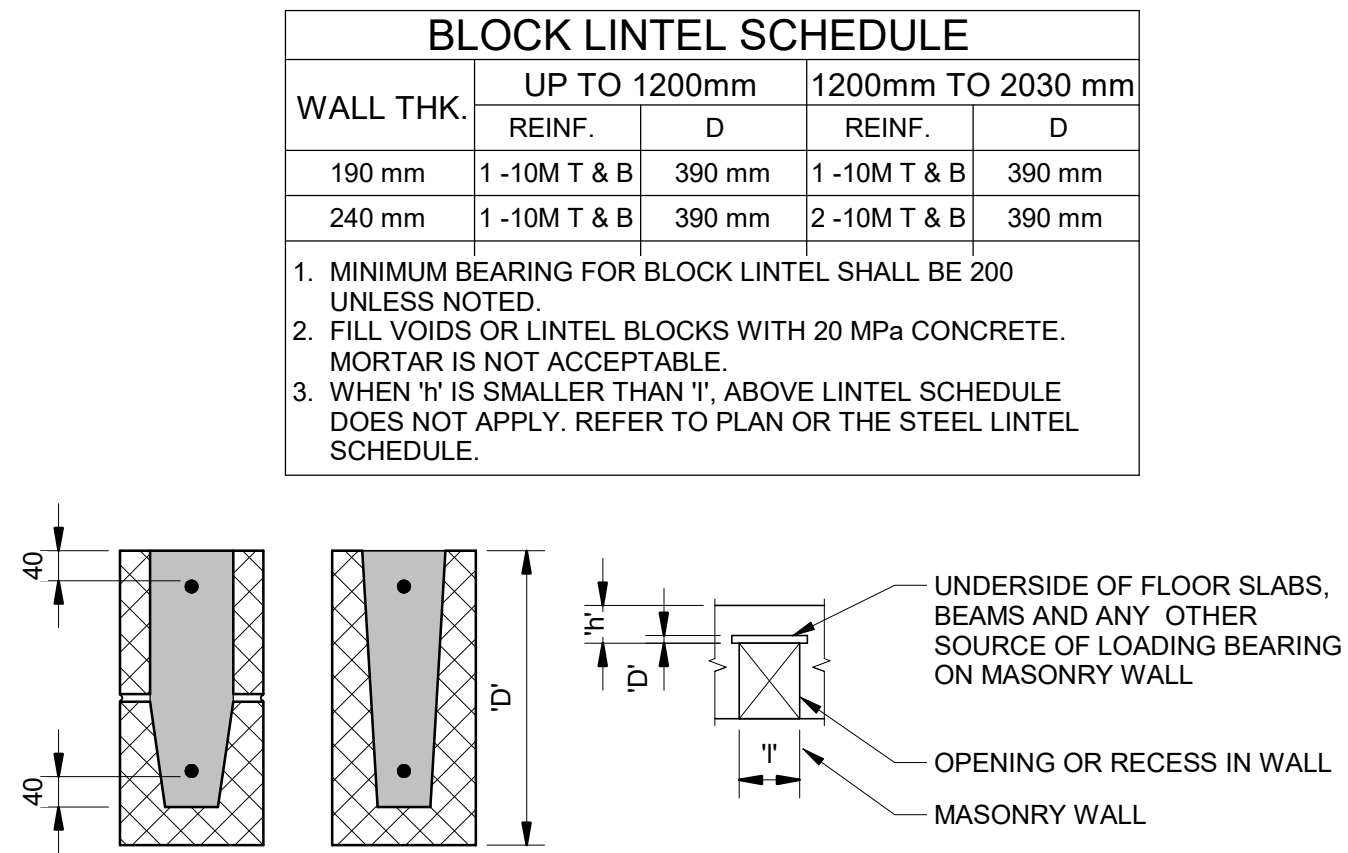


4 BLOCK WALL CONTROL JOINT
SCALE: 1 : 10

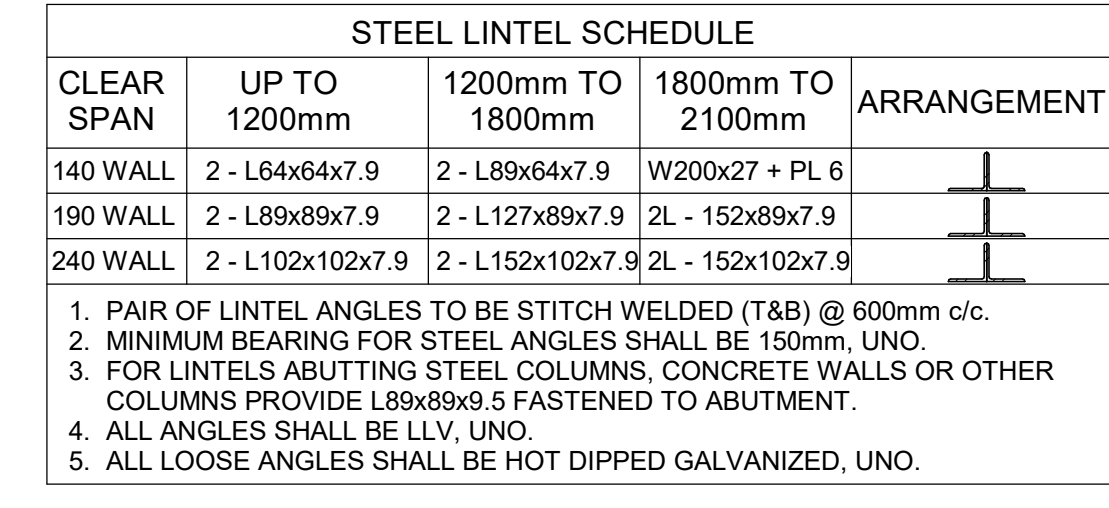
NOTE: PROVIDE CONTROL JOINTS AT EVERY 12.0m c/c



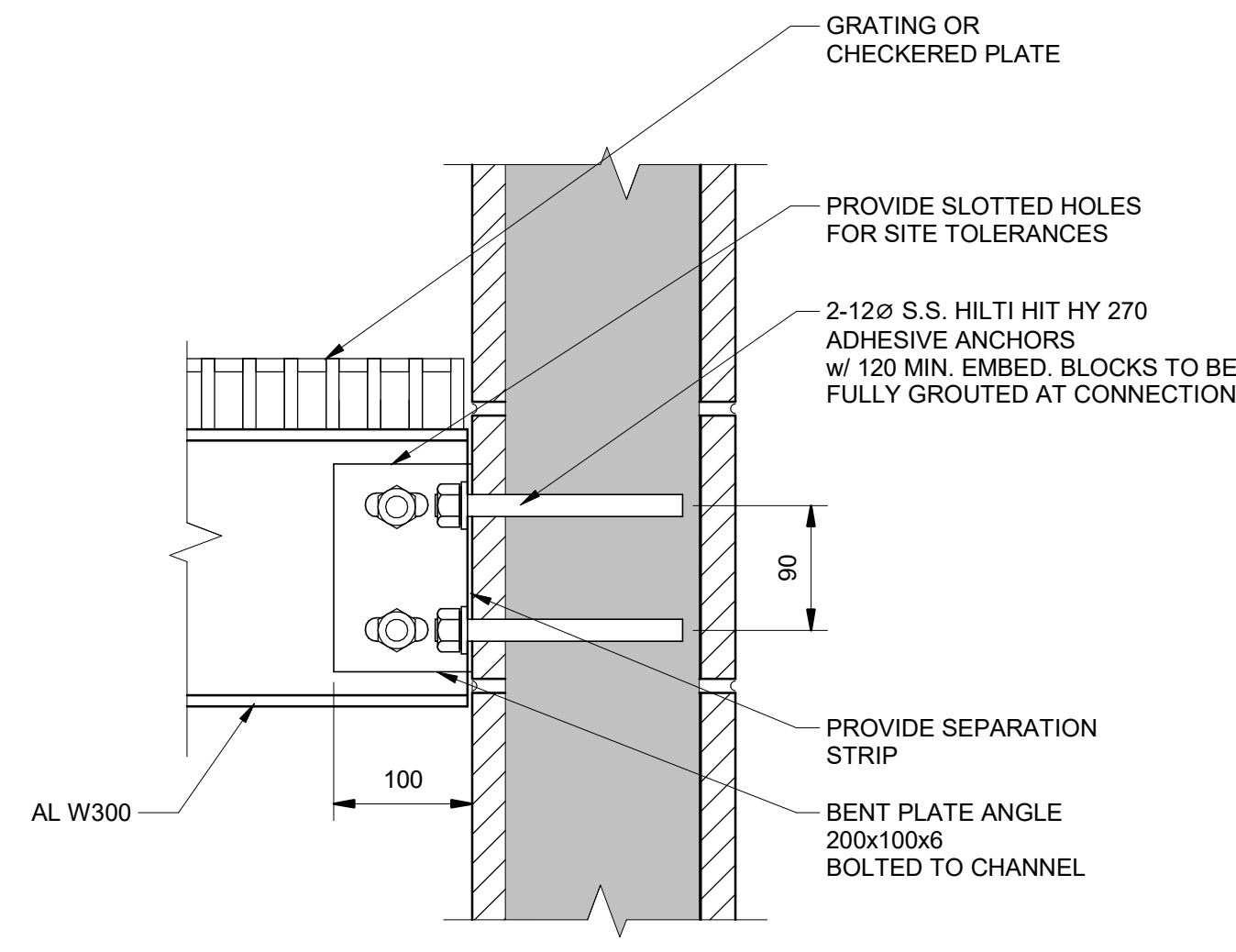
5 NON-LOAD BEARING BLOCK WALL TOP SUPPORT
SCALE: NTS



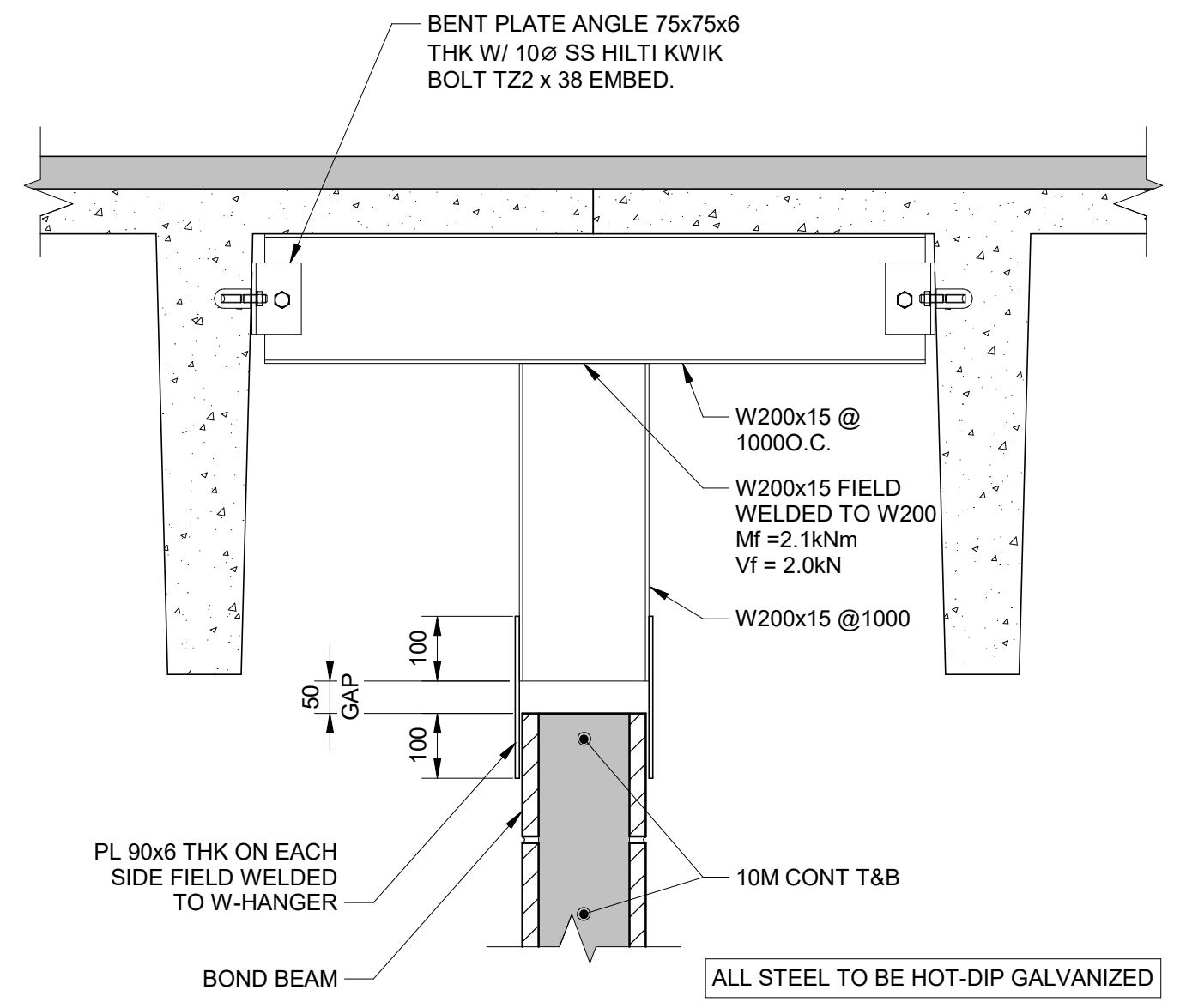
6 BLOCK LINTEL SCHEDULE
SCALE: 1 : 10



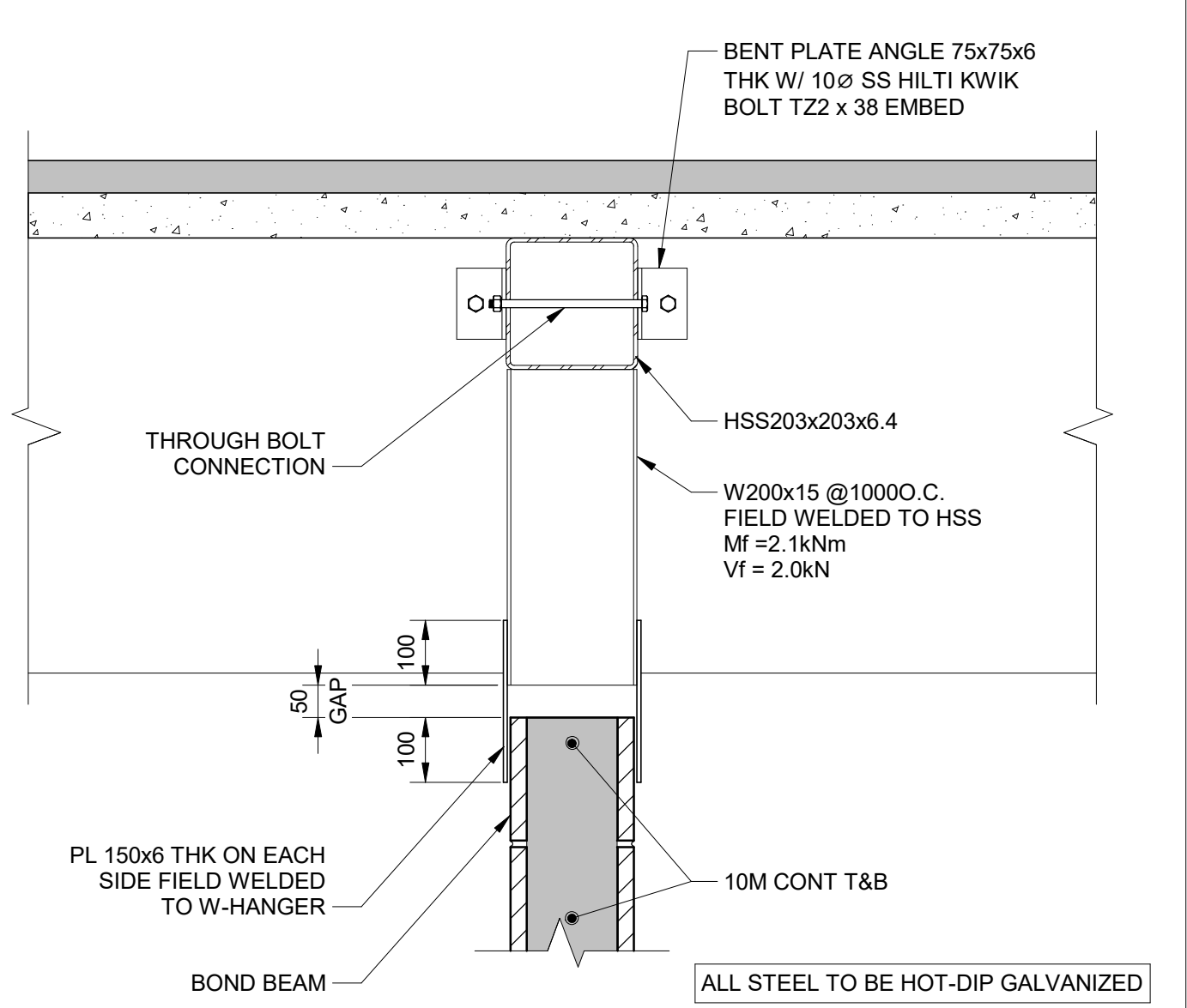
7 STEEL LINTEL SCHEDULE
SCALE: 1 : 10



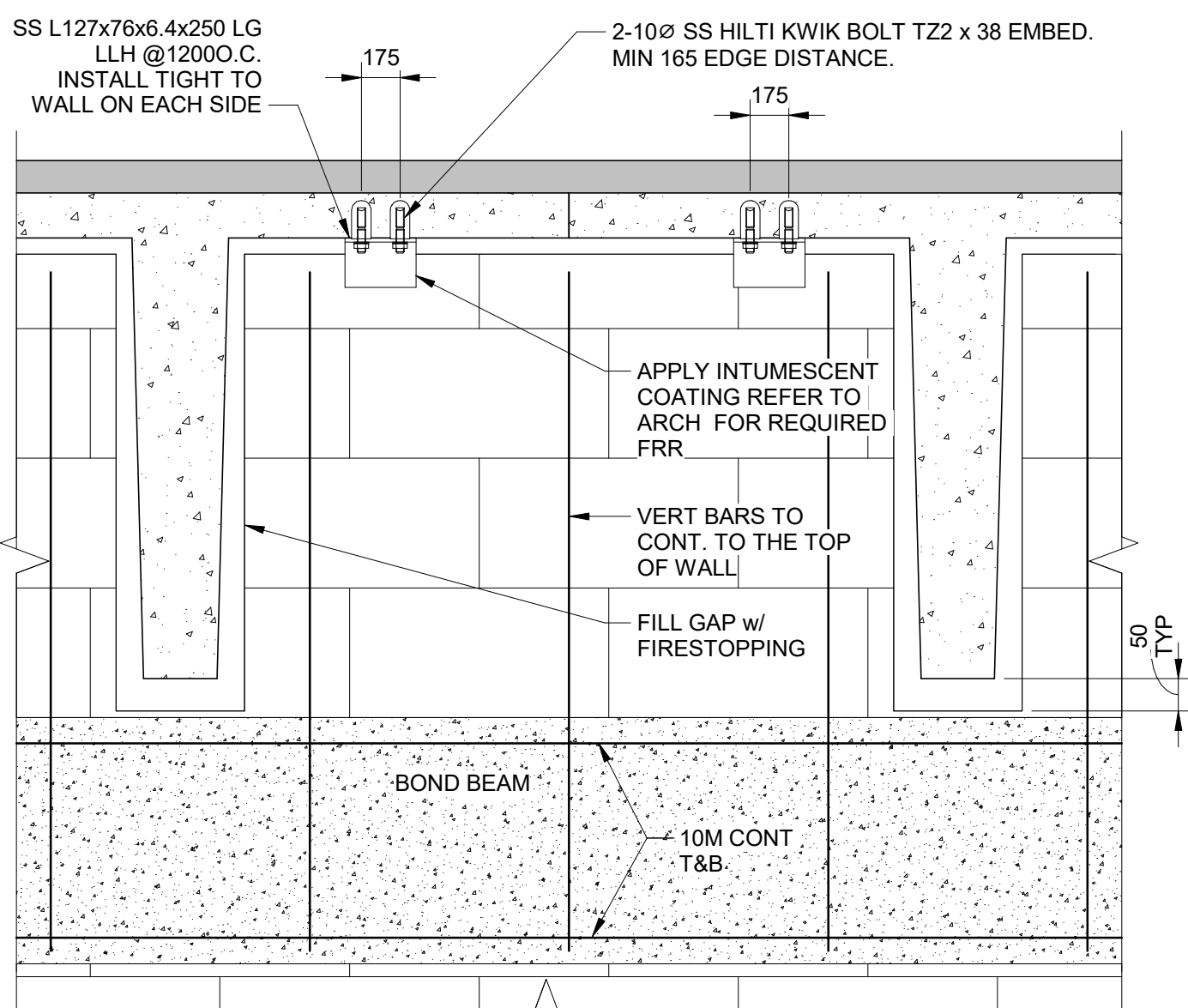
8 BEAM TO MASONRY WALL CONNECTION
SCALE: 1 : 5



9 NON-LOAD BEARING BLOCK WALL TOP SUPPORT PARALLEL TO PRECAST DOUBLE TEE
SCALE: 1 : 10



10 NON-LOAD BEARING BLOCK WALL TOP SUPPORT PERPENDICULAR TO PRECAST DOUBLE TEE
SCALE: 1 : 10



11 FIRE-RATED BLOCK WALL AT DOUBLE-TEE OR CONCRETE INTERFACE
SCALE: NTS

DATE	NO.	REVISION
2025/01/23	2	ISSUED FOR TENDER
2024/08/23	1	ISSUED FOR ECA APPROVAL

THE DRAWINGS, ARRANGEMENTS, ANNOTATIONS AND GRAPHICAL PRESENTATIONS ON THIS DOCUMENT ARE THE PROPERTY OF EVB ENGINEERING WHO RETAINS OWNERSHIP AND AUTHORITY OF THIS DOCUMENT. ITS ENTIRETY IS AN INSTRUMENT OF SERVICE AND IS THE INTELLECTUAL AND PHYSICAL PROPERTY OF EVB ENGINEERING. AUTHORIZED USE OF THIS DRAWING IS GRANTED SOLELY FOR THE PURPOSE OF THIS SPECIFIC PROJECT AND LOCATION, AND NOT FOR CONSTRUCTION OR USE FOR ANY OTHER PROJECT. COPYRIGHT © 2024 EVB ENGINEERING.



CONSULTANT:
EVB ENGINEERING
 800 SECOND STREET WEST
 CORNWALL, ONTARIO CANADA, K6J 1H6
 TEL: 613-935-3775 | FAX: 613-935-6450
 WEBSITE: EVBengineering.com

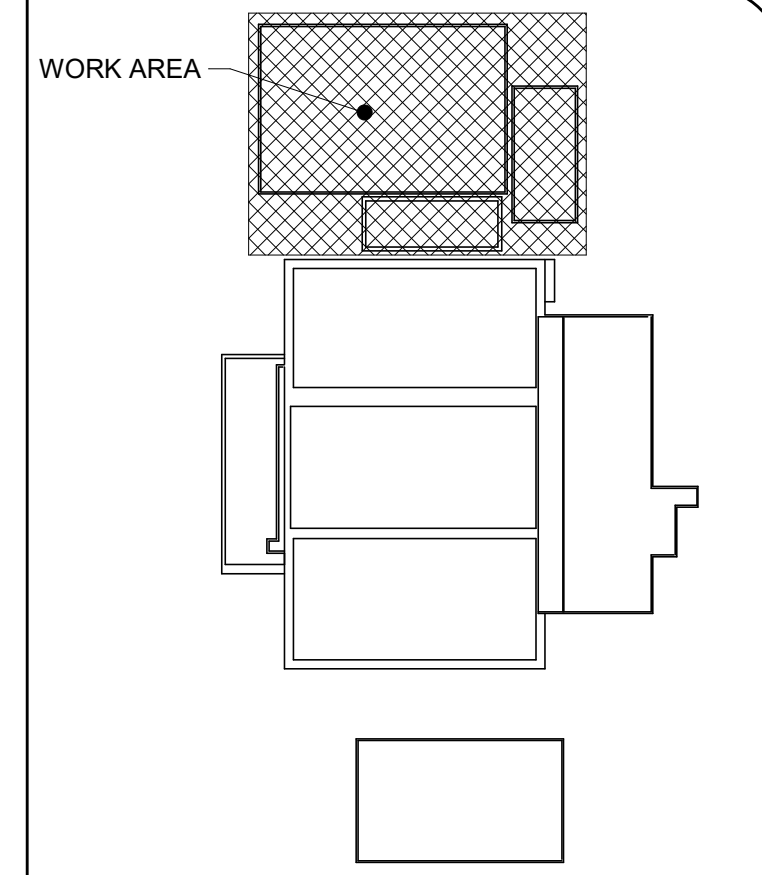
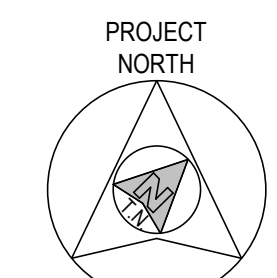
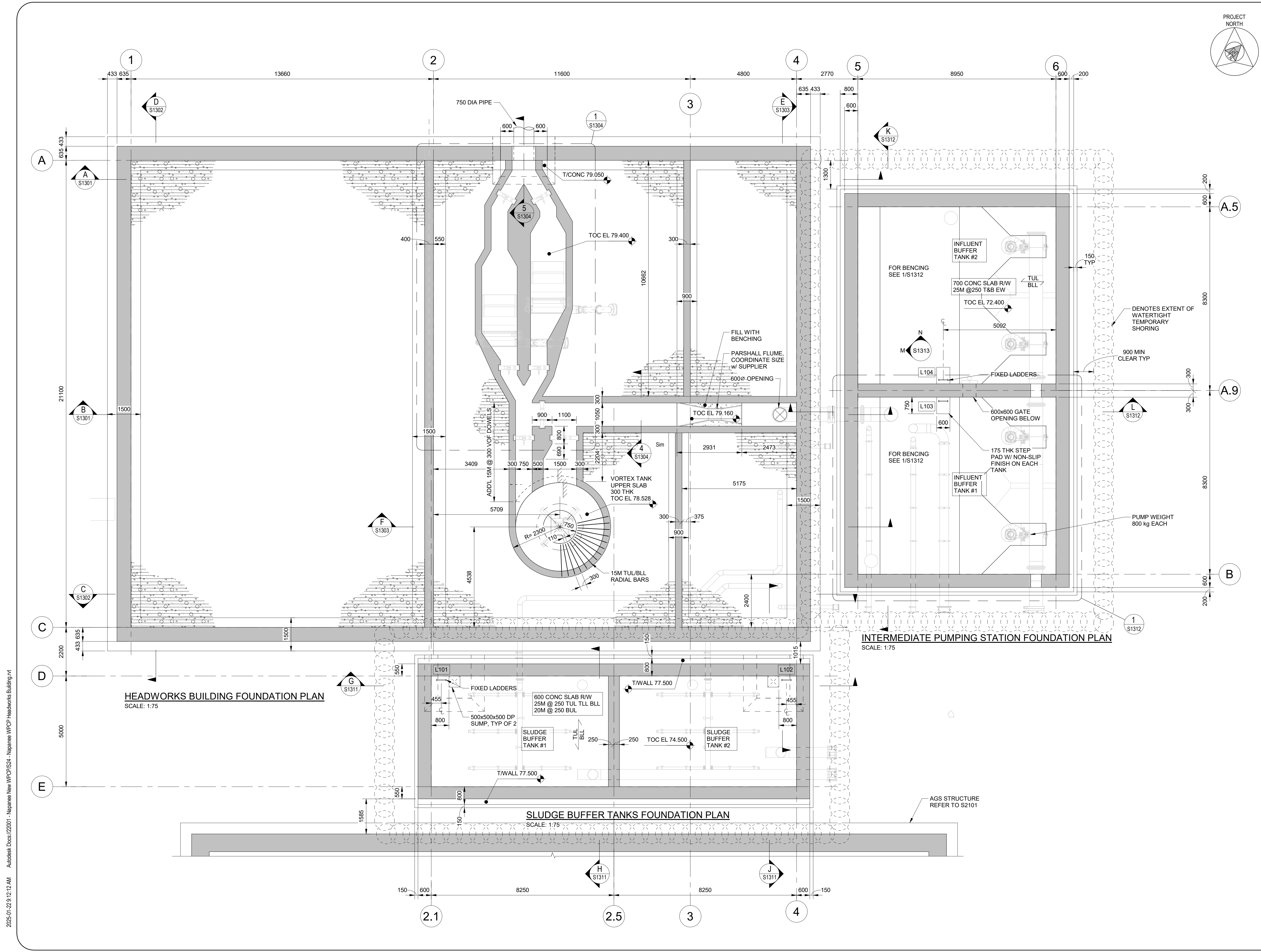
SUB-CONSULTANT:
CIMA+

CLIENT:
Greater Napanee
 Greater for Many Reasons

PROJECT:
NEW NAPANEE WPCP

TITLE:
STANDARD MASONRY DETAILS

SCALE: As indicated	JOB NO: 22001
DESIGNED BY: YF/WC	DATE: 2025/01/23
DRAWN BY: KDS/ILM	DRAWING NO. S0405
CHECKED BY: WC	



DATE	NO.	REVISION
2025/01/23	2	ISSUED FOR TENDER
2024/08/23	1	ISSUED FOR ECA APPROVAL

THE DRAWINGS, ARRANGEMENTS, ANNOTATIONS AND GRAPHICAL PRESENTATIONS ON THIS DOCUMENT ARE THE PROPERTY OF EVB ENGINEERING WHO RETAINS OWNERSHIP AND AUTHORITY OF THIS DOCUMENT. IN ITS ENTIRETY THIS DOCUMENT IS AN INSTRUMENT OF SERVICE AND IS THE INTELLECTUAL AND PHYSICAL PROPERTY OF EVB ENGINEERING. AUTHORIZED USE OF THIS DRAWING IS GRANTED SOLELY FOR THE PURPOSE OF THIS SPECIFIC PROJECT AND LOCATION, AND NOT FOR CONSTRUCTION OR USE FOR ANY OTHER PROJECT. COPYRIGHT © 2024 EVB ENGINEERING.



CONSULTANT:
EVB ENGINEERING
 800 SECOND STREET WEST
 CORNWALL, ONTARIO CANADA, K6J 1H6
 TEL: 613-935-3775 | FAX: 613-935-6450
 WEBSITE: EVBengineering.com

SUB-CONSULTANT:
CIMA+

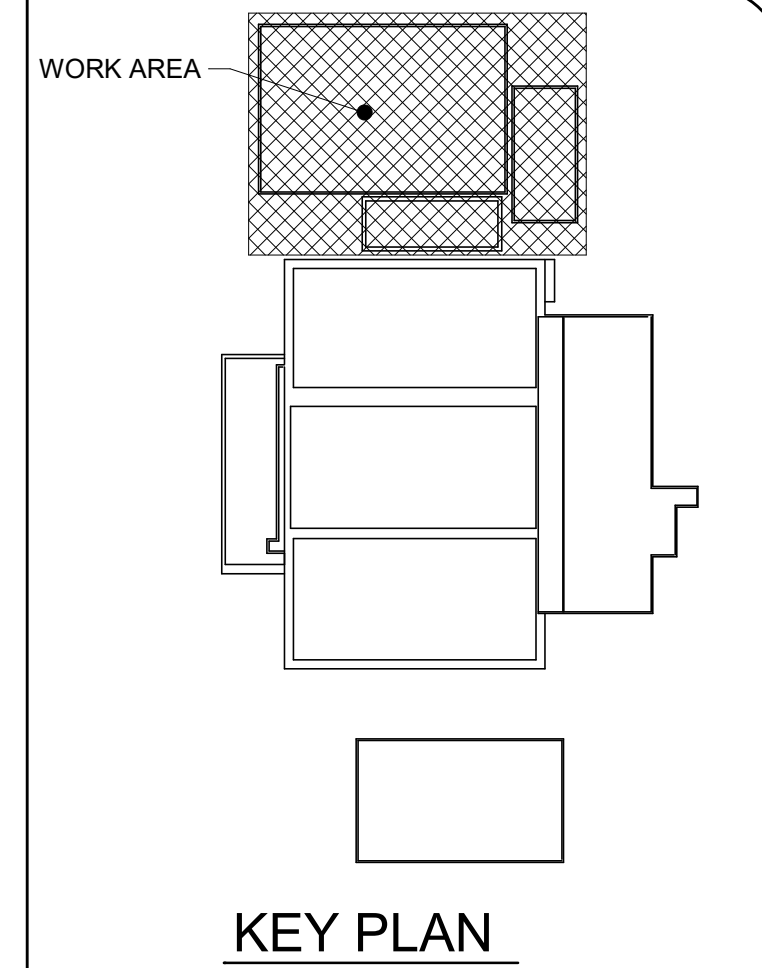
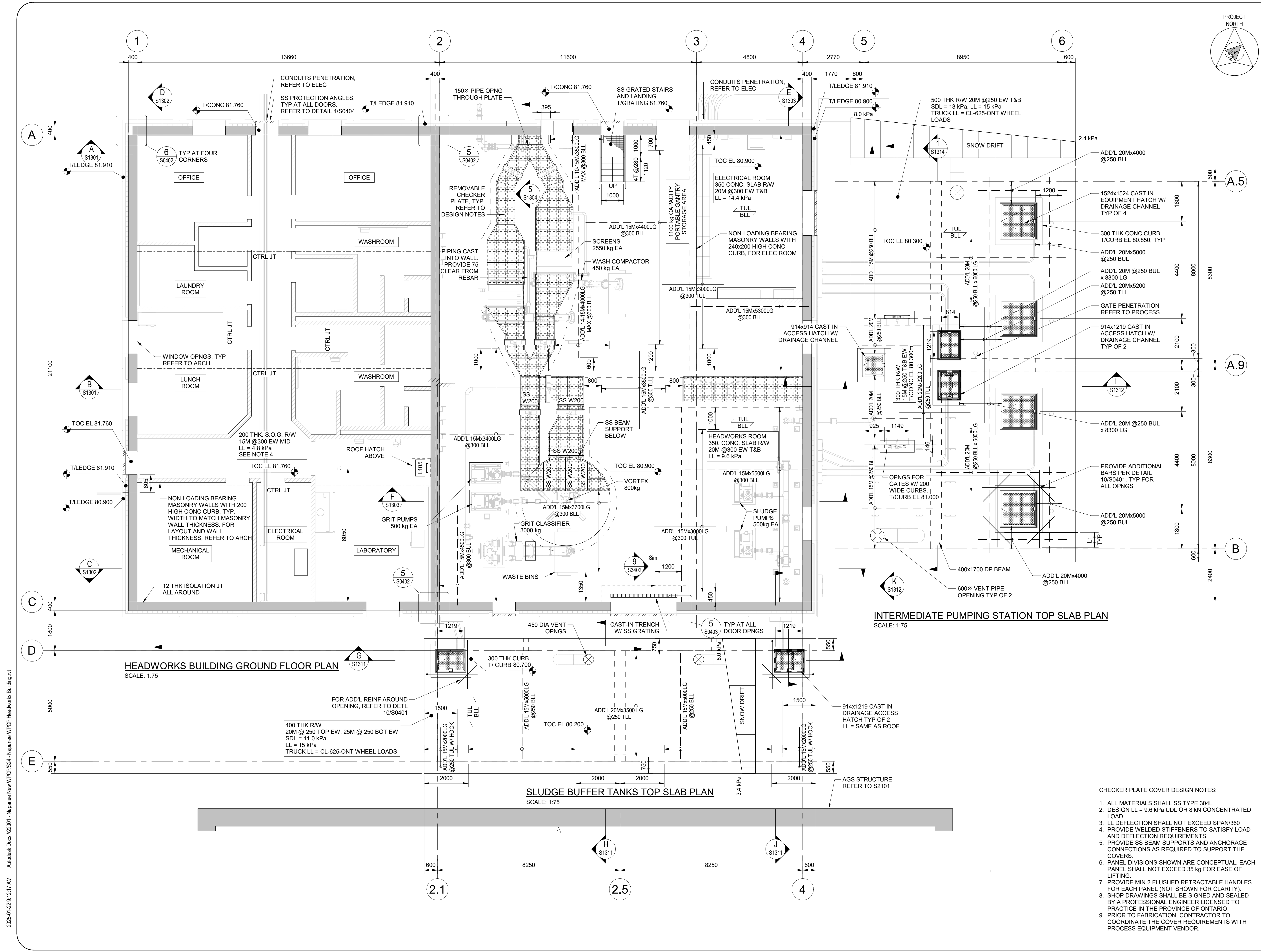
CLIENT:
Greater Napanee
 GREATERS FOR BAYTOWN

PROJECT:
NEW NAPANEE WPCP

TITLE:
NEW HEADWORKS FOUNDATION PLANS AT EL 79.400

SCALE: As indicated	JOB NO: 22001
DESIGNED BY: YF/JUWC	DATE: 2025/01/23
DRAWN BY: LMKDS	DRAWING NO.:
CHECKED BY: WC	S1101

2025-01-22 9:12:12 AM Autodesk Docs://22001 - Napanee New WPCP/S24 - Napanee WPCP Headworks Building.rvt



- NOTES:**
- ALL FLOOR MOUNTED EQUIPMENT SHALL BE PROVIDED WITH MIN 100 THK HOUSEKEEPING PAD. COORDINATE WITH SUPPLIERS FOR FINAL SIZE AND THICKNESS. REFER TO DETAIL 6/S0402.
 - ALL FLOOR AND WALL OPENING LOCATIONS AND SIZES SHALL BE COORDINATED WITH ALL SUB-TRADES. PROVIDE SS SLEEVES AS NECESSARY TO CAST INTO CONCRETE. ADDITIONAL BARS SHALL BE REFERRED TO DWG S0401.
 - PIPING RUNNING HORIZONTALLY WITHIN THE STRUCTURAL SLAB IS NOT PERMITTED.
 - COORDINATE FLOOR DRAIN LOCATIONS W/ MECH. SLOPE FLOOR TO DRAINS. COORDINATE WITH ARCH. MAINTAIN REBAR TOP COVER OF 40mm MIN.

DATE	NO.	REVISION
2025/01/23	2	ISSUED FOR TENDER
2024/08/23	1	ISSUED FOR ECA APPROVAL

THE DRAWINGS, ARRANGEMENTS, ANNOTATIONS AND GRAPHICAL PRESENTATIONS ON THIS DOCUMENT ARE THE PROPERTY OF E.V.B. ENGINEERING WHO RETAINS OWNERSHIP AND AUTHORITY OF THIS DOCUMENT. BY ITS ENTRY INTO THIS DOCUMENT IS AN INSTRUMENT OF SERVICE AND IS THE INTELLECTUAL AND PHYSICAL PROPERTY OF E.V.B. ENGINEERING. AUTHORIZED USE OF THIS DRAWING IS GRANTED SOLELY FOR THE PURPOSE OF THIS SPECIFIC PROJECT AND LOCATION, AND NOT FOR CONSTRUCTION OR USE FOR ANY OTHER PROJECT.



CONSULTANT:
EVB ENGINEERING
800 SECOND STREET WEST
CORNWALL, ONTARIO CANADA, K6J 1H6
TEL: 613-935-3775 | FAX: 613-935-6450
WEBSITE: EVBengineering.com

SUB-CONSULTANT:
CIMA+

CLIENT:
Greater Napanee
GRANDS FOR WATER SOLUTIONS

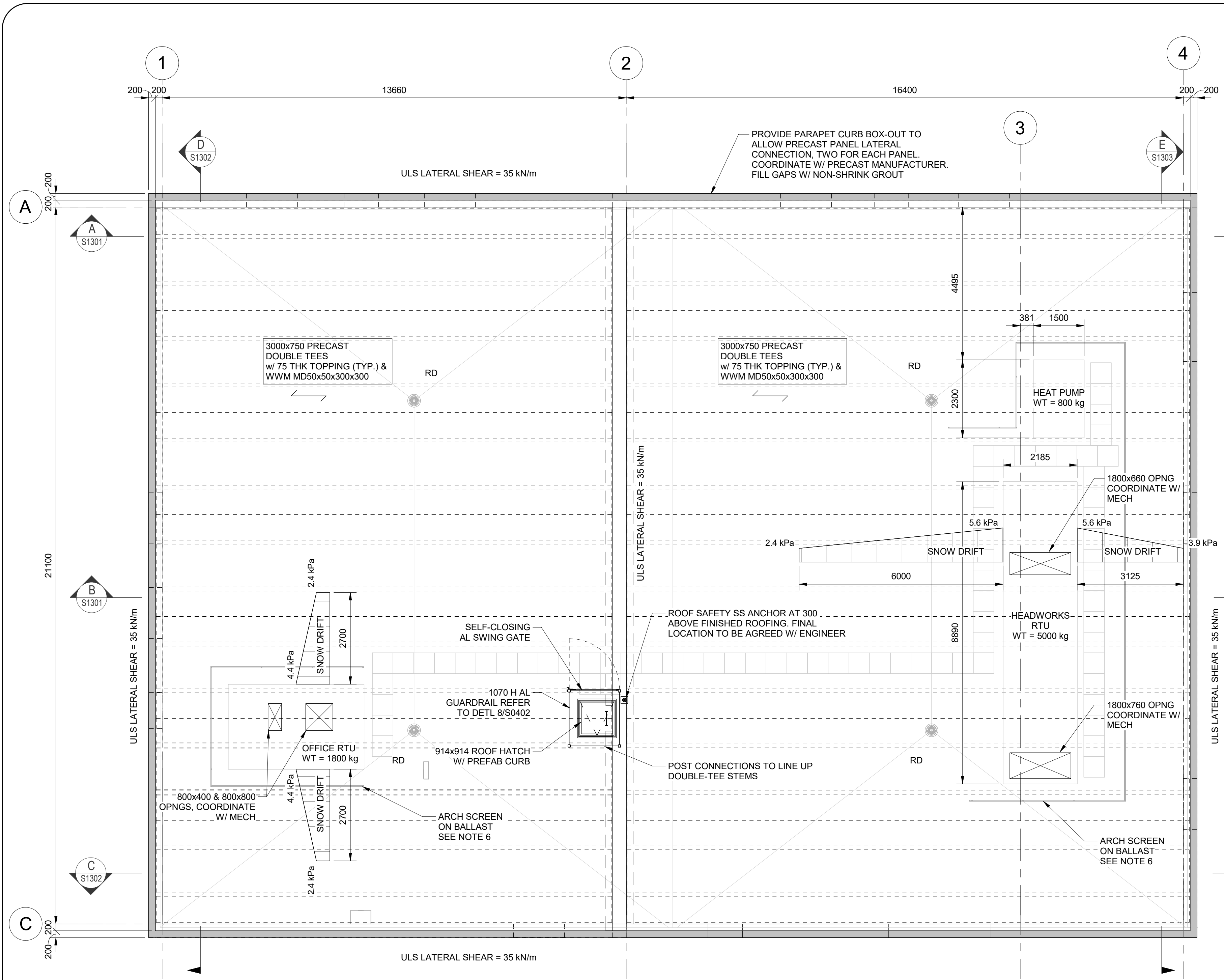
PROJECT:
NEW NAPANEE WPCP

TITLE:
NEW HEADWORKS FLOOR PLANS AT EL. 81.760

SCALE:	JOB NO:
As indicated	22001
DESIGNED BY:	DATE:
YF/JUWC	2025/01/23
DRAWN BY:	DRAWING NO.:
LMKDS	
CHECKED BY:	
WC	

S1102

2025-01-22 9:12:17 AM Autodesk Docs: I22001 - Napanee New WPCP S24 - Napanee WPCP Headworks Building.rvt



HEADWORKS BUILDING ROOF PLAN

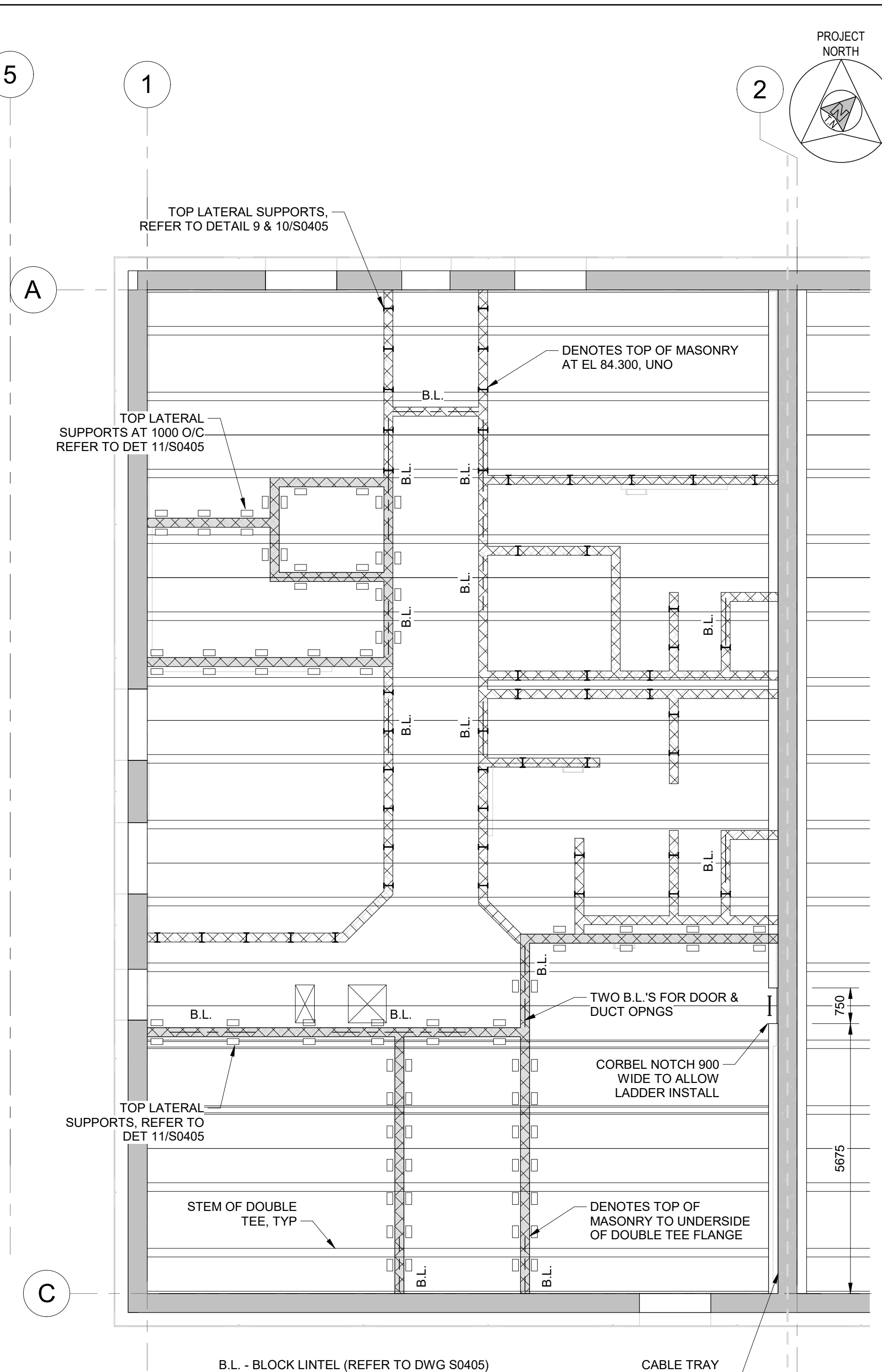
SCALE: 1 : 75

ROOF STRUCTURE:

1. PRECAST DOUBLE TEE ROOF SLABS TO BE DESIGNED BY SUPPLIER. REFER TO THE SPECIFICATIONS.
2. UPPER SURFACE TO BE RAKED TO PROVIDE BONDING-KEY FOR COMPOSITE TOPPING.
3. SEE S0001 FOR PRECAST CONCRETE NOTES.
4. LIVE LOAD DEFLECTION LIMIT = SPAN/240
5. TOTAL LOAD DEFLECTION LIMIT = SPAN/360
6. COORDINATE SCREEN LOADINGS (DL AND WL) FROM THE SUPPLIER.
7. COORDINATE FINAL SIZE AND LOCATION OF RTU UNITS AND DUCT OPENINGS W/ MECH VENDORS. ALL OPENINGS SHALL AVOID THE DOUBLE-TEE WEBS

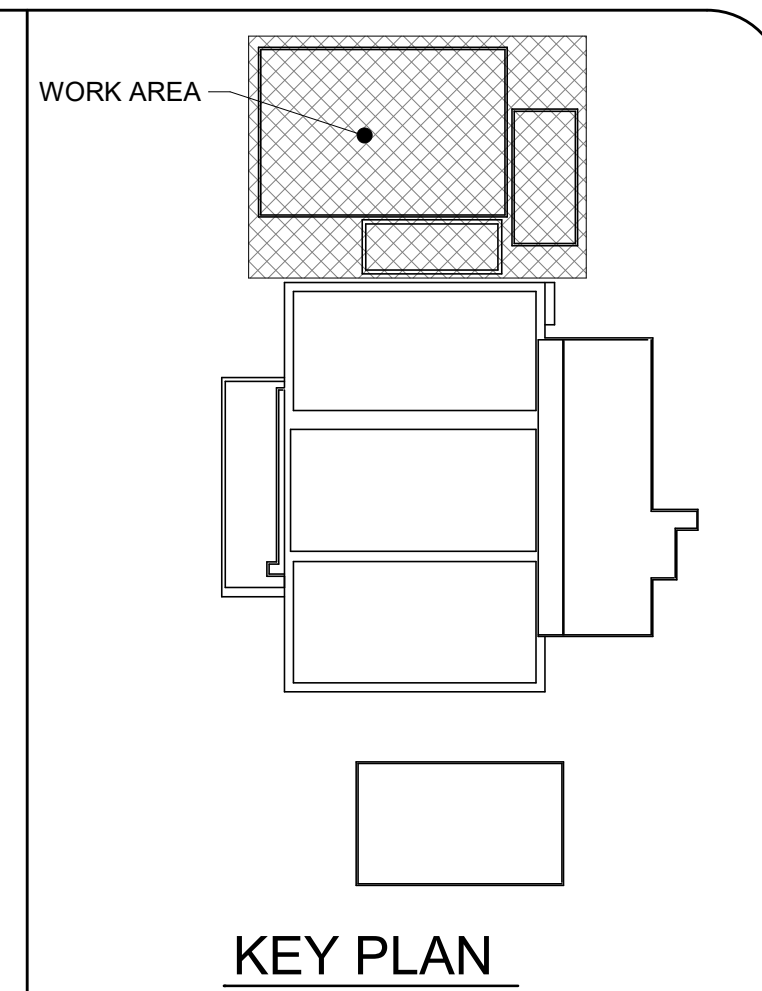
DESIGN LOADS:

- DL = 1.8 kPa; 75mm THK TOPPING
- DL = DOUBLE TEES SELFWEIGHT - MAX 3.60 kPa
- SDL = 1.1 kPa; ROOFING INCLUDES INSULATION AND M&E.
- LL = 1.0 kPa ROOF MAINTENANCE
- SNOW = 1.73 kPa (SLS), 2.4 kPa (ULS). SEE PLAN FOR SNOW DRIFT LOADS
- EARTHQUAKE = SEE PLAN FOR LATERAL SHEAR FORCES
- RAIN = 1.56 kPa AT HP, 3.10 kPa AT LP



OFFICE GROUND FLOOR RCP

SCALE: 1 : 75



DATE	NO.	REVISION
2025/01/23	2	ISSUED FOR TENDER
2024/08/23	1	ISSUED FOR ECA APPROVAL

THE DRAWINGS, ARRANGEMENTS, ANNOTATIONS AND GRAPHICAL PRESENTATIONS ON THIS DOCUMENT ARE THE PROPERTY OF EVB ENGINEERING WHO RETAINS OWNERSHIP AND AUTHORITY OF THIS DOCUMENT. IN ITS ENTIRETY THIS DOCUMENT IS AN INSTRUMENT OF SERVICE AND IS THE INTELLECTUAL AND PHYSICAL PROPERTY OF EVB ENGINEERING. AUTHORIZED USE OF THIS DRAWING IS GRANTED SOLELY FOR THE PURPOSE OF THIS SPECIFIC PROJECT AND LOCATION, AND NOT FOR CONSTRUCTION OR USE FOR ANY OTHER PROJECT. COPYRIGHT © 2024 EVB ENGINEERING.



CONSULTANT:
EVB ENGINEERING
 800 SECOND STREET WEST
 CORNWALL, ONTARIO CANADA, K6J 1H6
 TEL: 613-935-3775 | FAX: 613-935-6450
 WEBSITE: EVBengineering.com

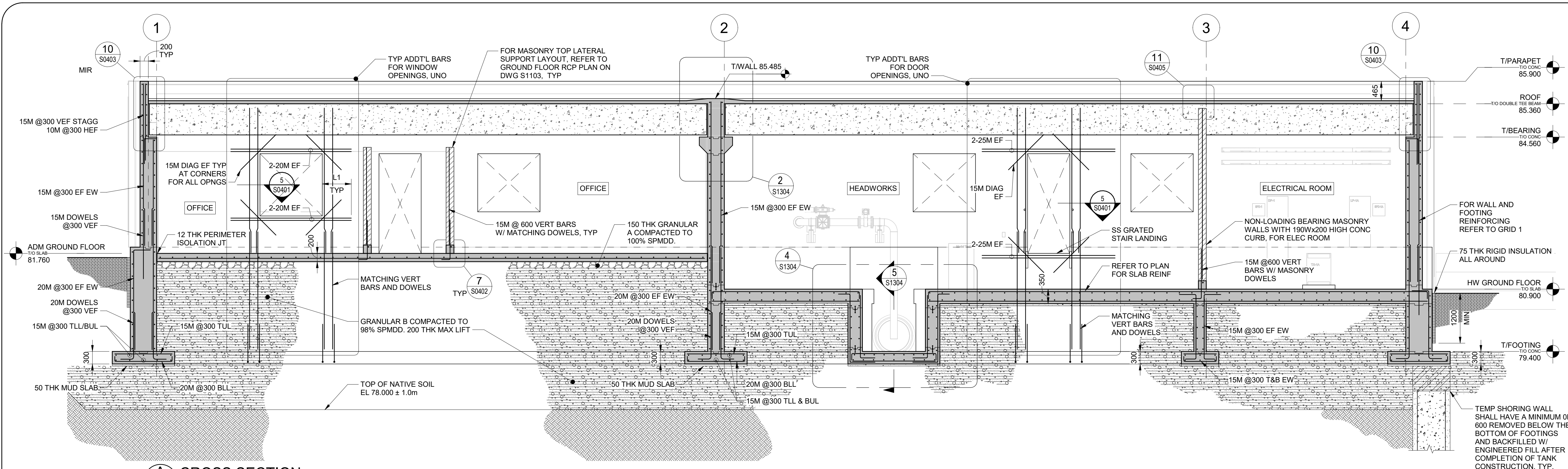
SUB-CONSULTANT:
CIMA+

CLIENT:
Greater Napanee
 GREAT FOR WANT BUILDING

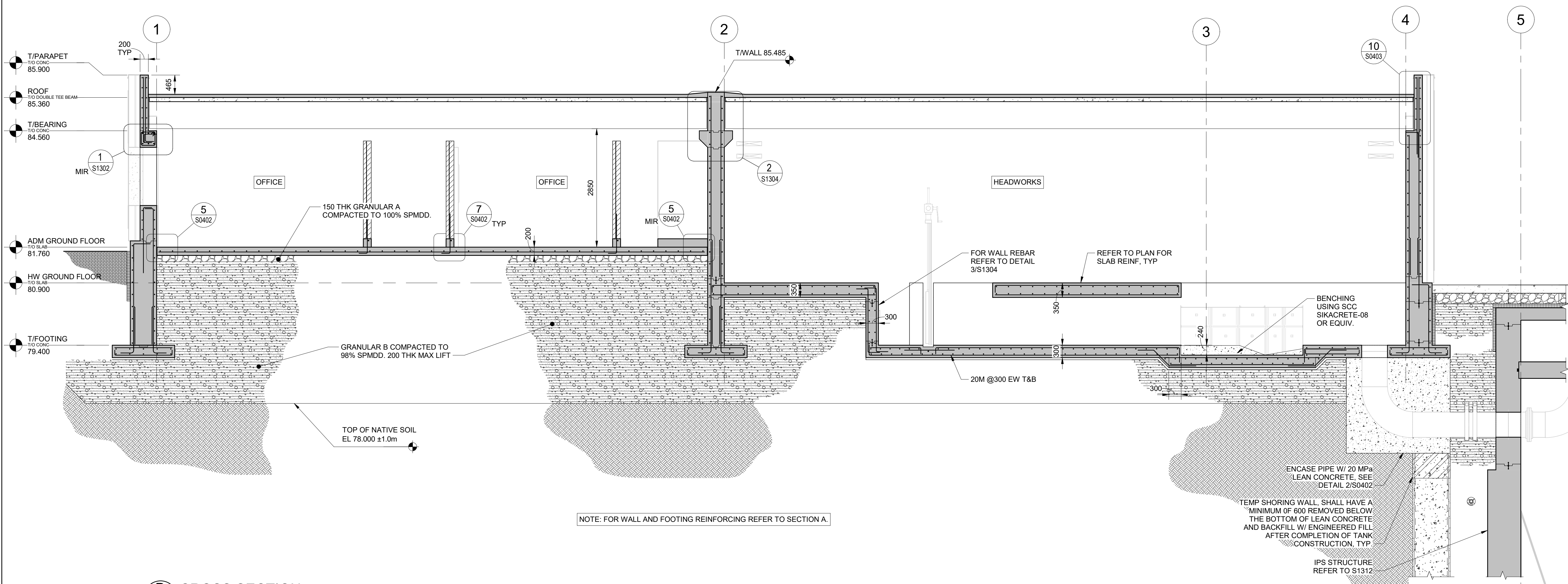
PROJECT:
NEW NAPANEE WPCP

TITLE:
NEW HEADWORKS BUILDING ROOF PLAN

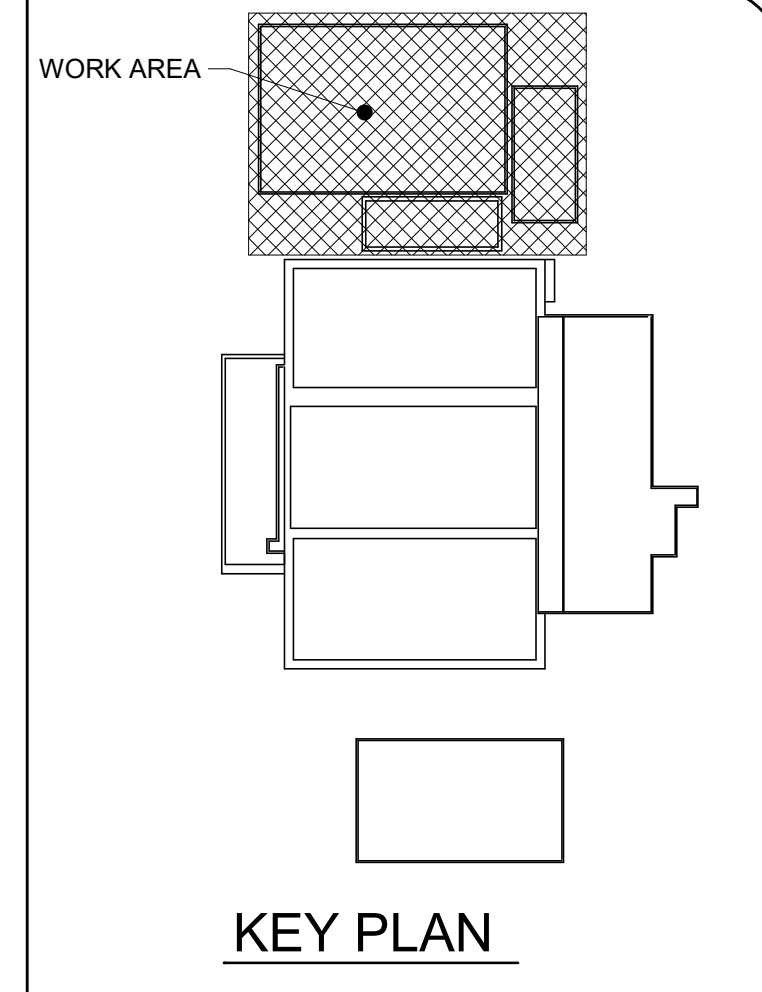
SCALE: As indicated	JOB NO: 22001
DESIGNED BY: WC	DATE: 2025/01/23
DRAWN BY: LMKDS	DRAWING NO.:
CHECKED BY: WC	S1103



A CROSS SECTION
S102 SCALE: 1 : 50



B CROSS SECTION
S102 SCALE: 1 : 50



DATE	NO.	REVISION
2025/01/23	2	ISSUED FOR TENDER
2024/08/23	1	ISSUED FOR ECA APPROVAL

THE DRAWINGS, ARRANGEMENTS, ANNOTATIONS AND GRAPHICAL PRESENTATIONS ON THIS DOCUMENT ARE THE PROPERTY OF EVB ENGINEERING WHO RETAINS OWNERSHIP AND AUTHORITY OF THIS DOCUMENT. IN ITS ENTIRETY THIS DOCUMENT IS AN INSTRUMENT OF SERVICE AND IS THE INTELLECTUAL AND PHYSICAL PROPERTY OF EVB ENGINEERING. AUTHORIZED USE OF THIS DRAWING IS GRANTED SOLELY FOR THE PURPOSE OF THIS SPECIFIC PROJECT AND LOCATION, AND NOT FOR CONSTRUCTION OR USE FOR ANY OTHER PROJECT. COPYRIGHT © 2024 EVB ENGINEERING.



CONSULTANT:
EVB ENGINEERING
 800 SECOND STREET WEST
 CORNWALL, ONTARIO CANADA, K6J 1H6
 TEL: 613-935-3775 | FAX: 613-935-6450
 WEBSITE: EVBengineering.com

SUB-CONSULTANT:
CIMA+

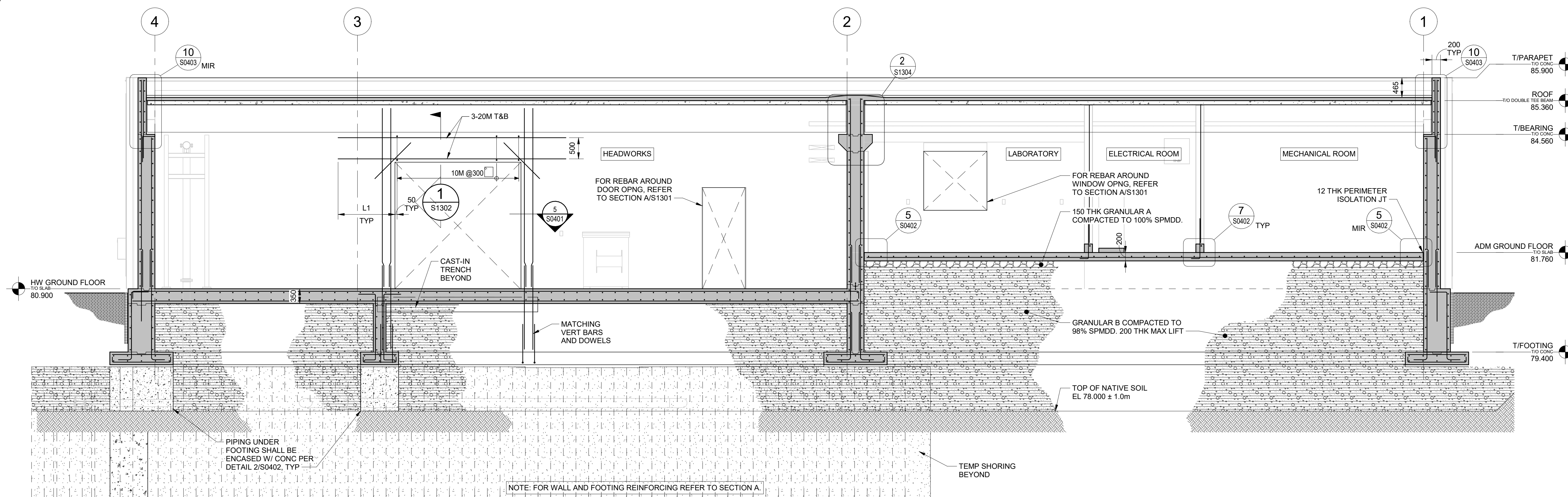
CLIENT:
Greater Napanee
 GRADING FOR WATER TREATMENT

PROJECT:
NEW NAPANEE WPCP

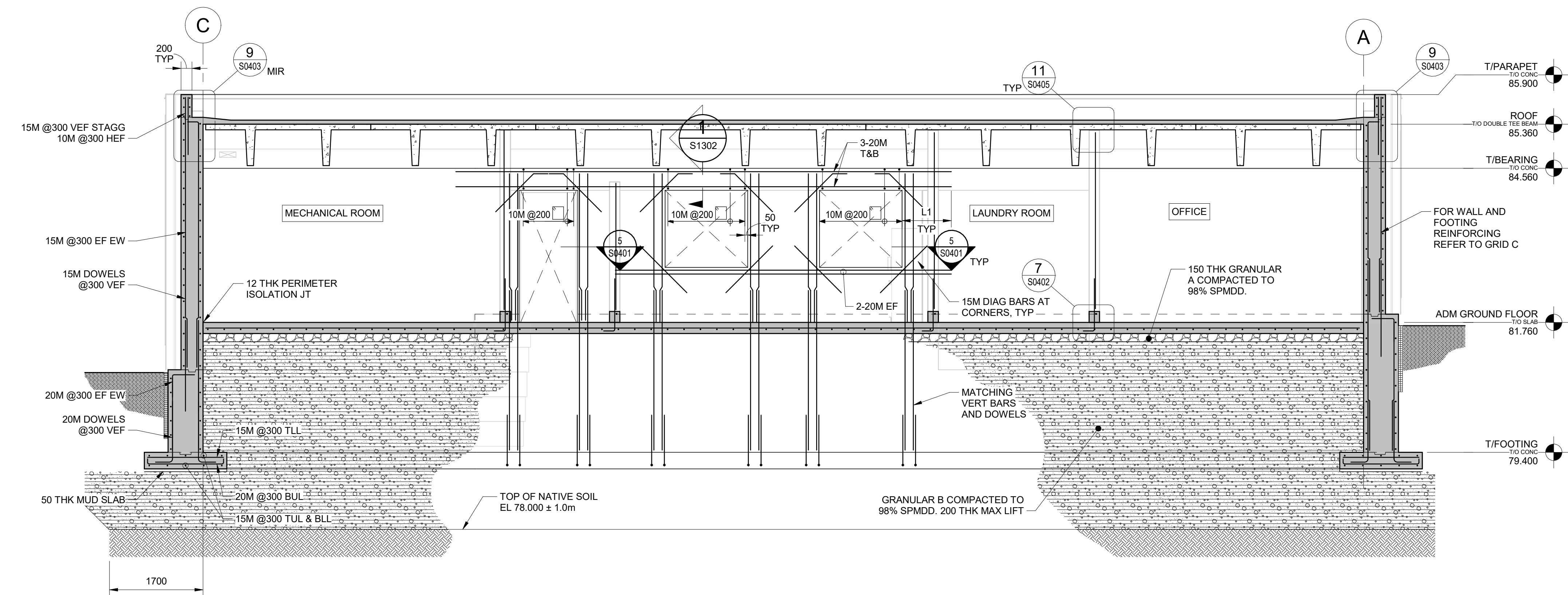
TITLE:
NEW HEADWORKS BUILDING SECTIONS SHEET 1

SCALE: As indicated	JOB NO: 22001
DESIGNED BY: WC	DATE: 2025/01/23
DRAWN BY: LMKDS	DRAWING NO.:
CHECKED BY: WC	S1301

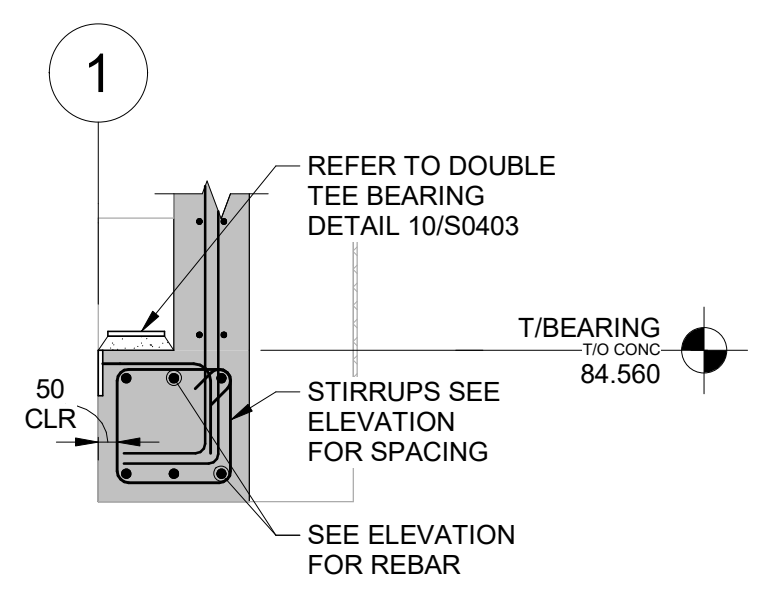
2025-01-22 9:12:20 AM Autodesk Docs: IZ2001 - Napanee New WPCP S24 - Napanee WPCP Headworks Building.rvt



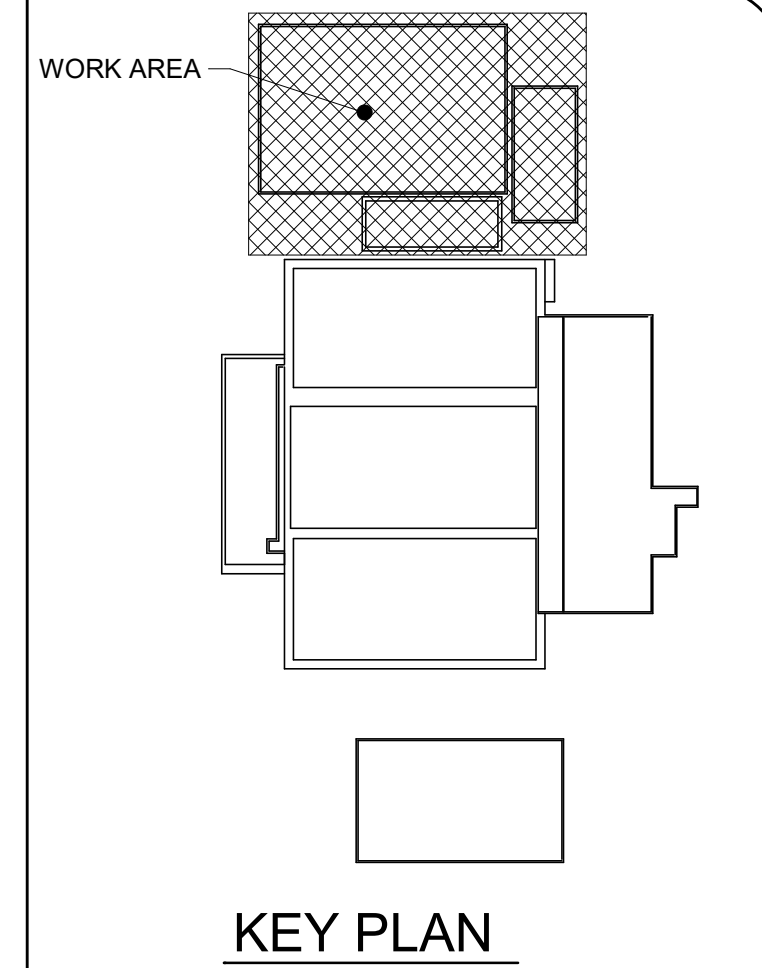
C CROSS SECTION
S102 SCALE: 1 : 50



D CROSS SECTION
S102 SCALE: 1 : 50



1 HEADER BEAM DETAIL
S1301 SCALE: 1 : 20



KEY PLAN

DATE	NO.	REVISION
2025/01/23	2	ISSUED FOR TENDER
2024/08/23	1	ISSUED FOR ECA APPROVAL

THE DRAWINGS, ARRANGEMENTS, ANNOTATIONS AND GRAPHICAL PRESENTATIONS ON THIS DOCUMENT ARE THE PROPERTY OF EVB ENGINEERING WHO RETAINS OWNERSHIP AND AUTHORITY OF THIS DOCUMENT IN ITS ENTIRETY. THIS DOCUMENT IS AN INSTRUMENT OF SERVICE AND IS THE INTELLECTUAL AND PHYSICAL PROPERTY OF EVB ENGINEERING. AUTHORIZED USE OF THIS DRAWING IS GRANTED SOLELY FOR THE PURPOSE OF THIS SPECIFIC PROJECT AND LOCATION, AND NOT FOR CONSTRUCTION OR USE FOR ANY OTHER PROJECT. COPYRIGHT © 2024 EVB ENGINEERING.



CONSULTANT:
EVB ENGINEERING
 800 SECOND STREET WEST
 CORNWALL, ONTARIO CANADA, K6J 1H6
 TEL: 613-935-3775 | FAX: 613-935-6450
 WEBSITE: EVBengineering.com

SUB-CONSULTANT:
CIMA+

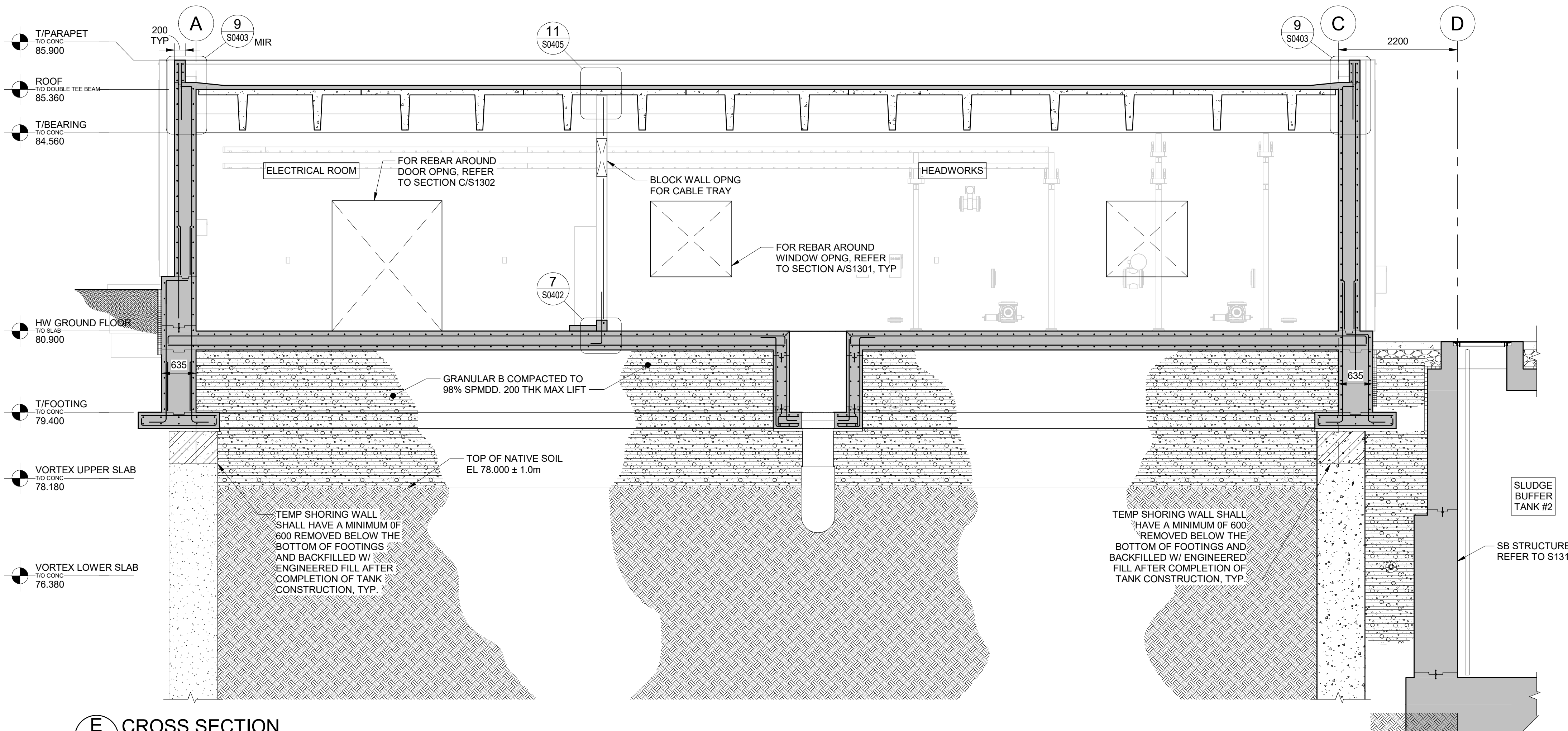
CLIENT:
Greater Napanee
 Greater for Many Reasons

PROJECT:
NEW NAPANEE WPCP

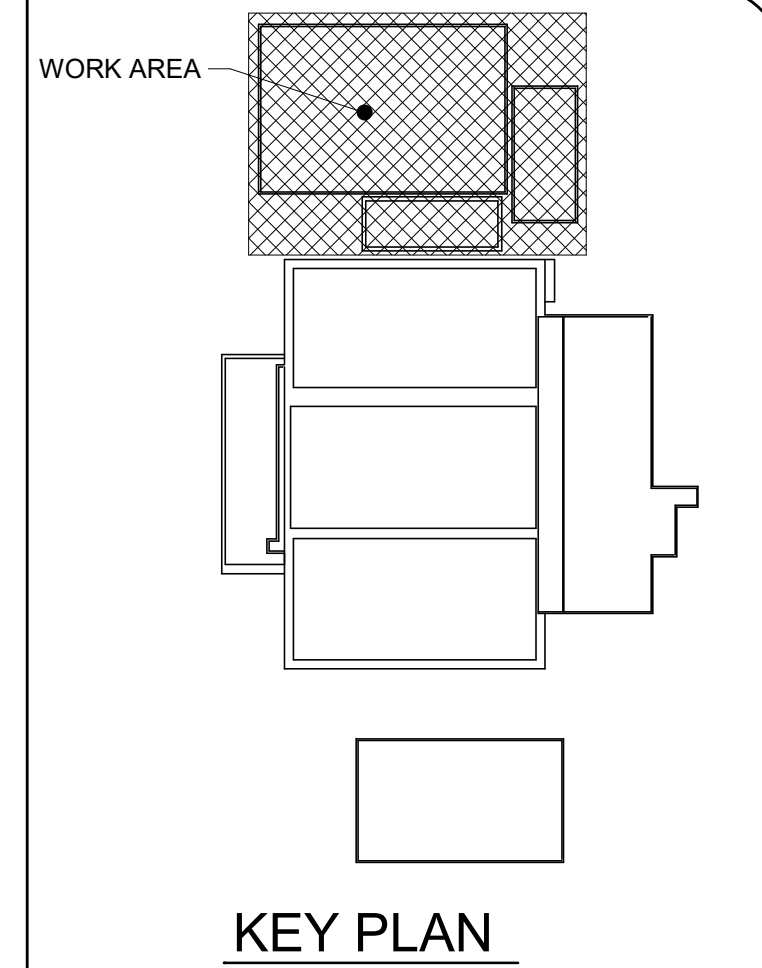
TITLE:
NEW HEADWORKS BUILDING SECTIONS SHEET 2

SCALE: As indicated	JOB NO: 22001
DESIGNED BY: WC	DATE: 2025/01/23
DRAWN BY: LMKDS	DRAWING NO. S1302
CHECKED BY: WC	

2025-01-22 9:12:22 AM Autodesk Docs: I22001 - Napanee New WPCP/S24 - Napanee WPCP Headworks Building.rvt



E CROSS SECTION
S102 SCALE: 1 : 50



KEY PLAN

DATE	NO.	REVISION
2025/01/23	2	ISSUED FOR TENDER
2024/08/23	1	ISSUED FOR ECA APPROVAL

THE DRAWINGS, ARRANGEMENTS, ANNOTATIONS AND GRAPHICAL PRESENTATIONS ON THIS DOCUMENT ARE THE PROPERTY OF EVB ENGINEERING WHO RETAINS OWNERSHIP AND AUTHORITY OF THIS DOCUMENT. IN ITS ENTIRETY THIS DOCUMENT IS AN INSTRUMENT OF SERVICE AND IS THE INTELLECTUAL AND PHYSICAL PROPERTY OF EVB ENGINEERING. AUTHORIZED USE OF THIS DRAWING IS GRANTED SOLELY FOR THE PURPOSE OF THIS SPECIFIC PROJECT AND LOCATION, AND NOT FOR CONSTRUCTION OR USE FOR ANY OTHER PROJECT. COPYRIGHT © 2024 EVB ENGINEERING.

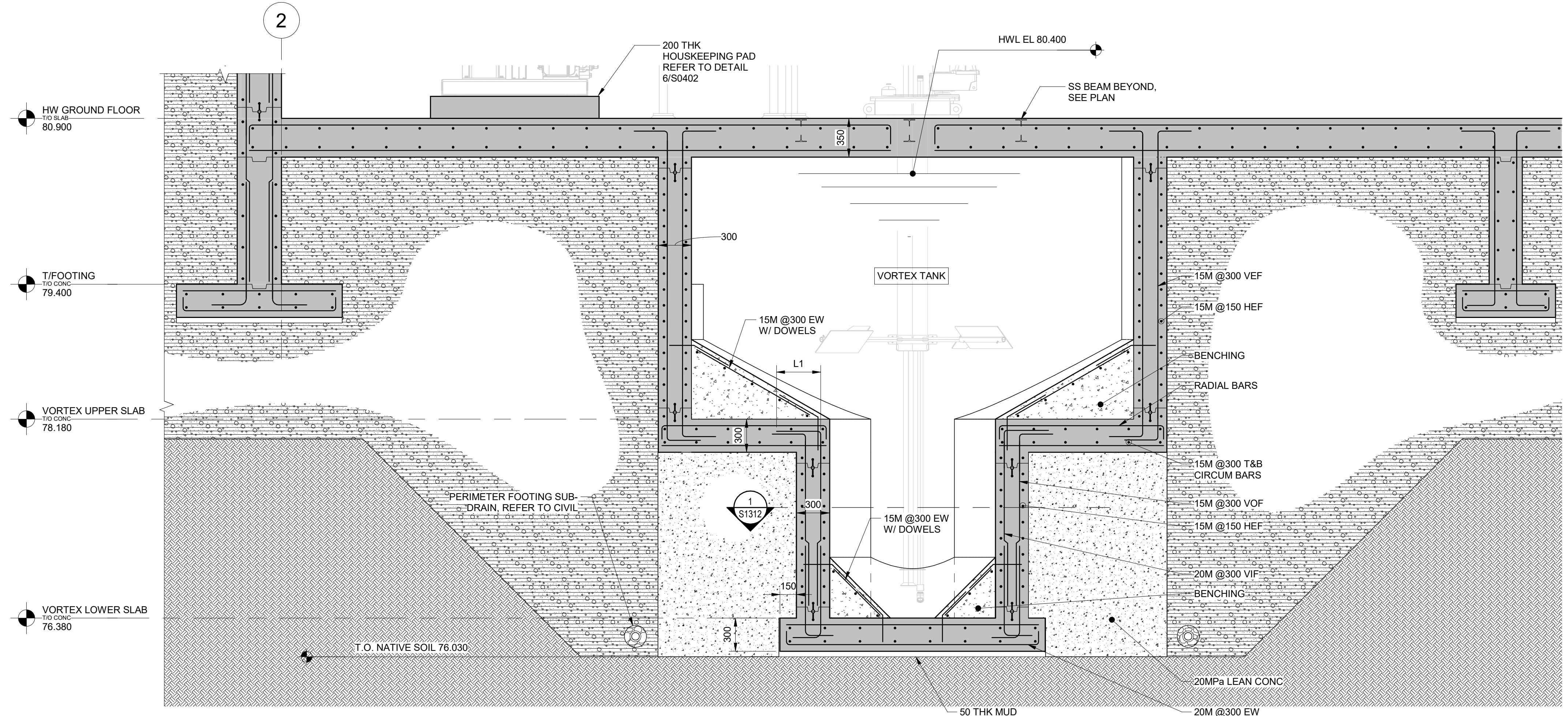


CONSULTANT:
EVB ENGINEERING
 800 SECOND STREET WEST
 CORNWALL, ONTARIO CANADA, K6J 1H6
 TEL: 613-935-3775 | FAX: 613-935-6450
 WEBSITE: EVBengineering.com

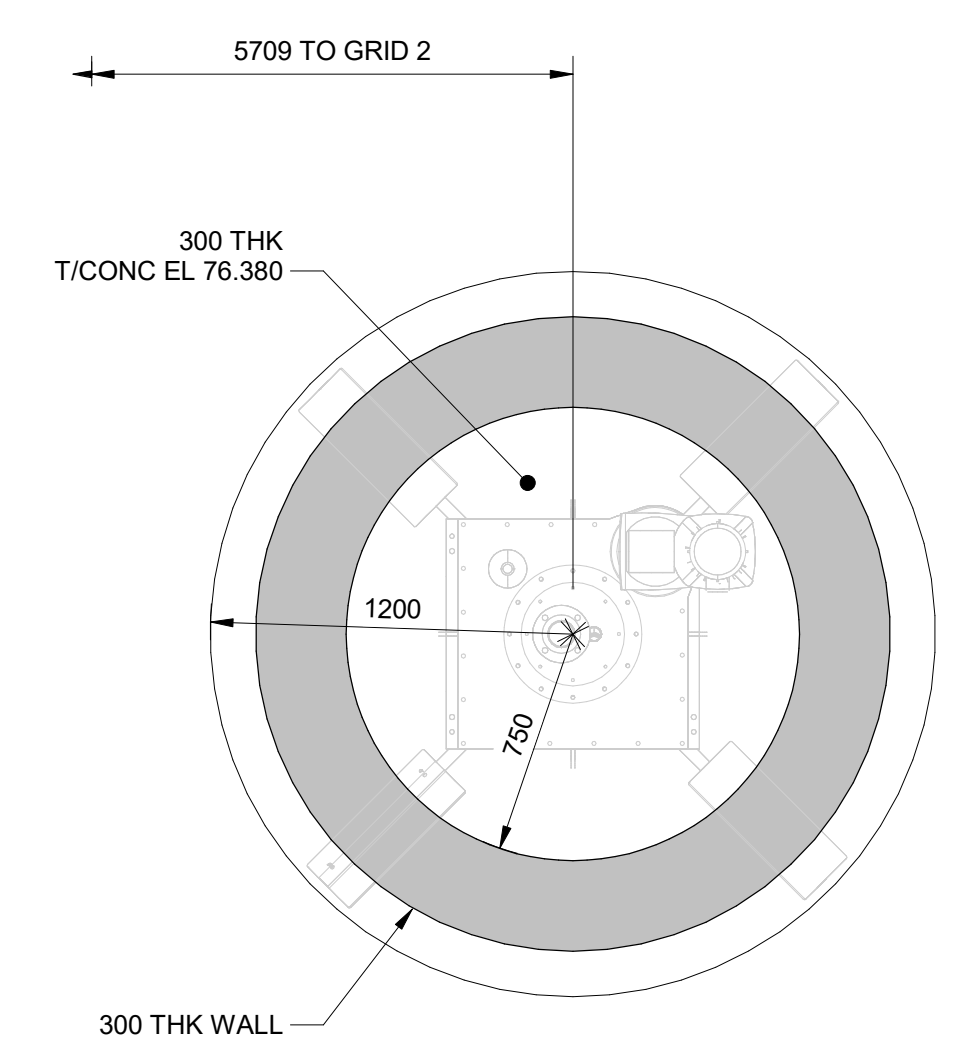
SUB-CONSULTANT:
CIMA+
 CLIENT:
Greater Napanee
 (BRANDS FOR WATER SOLUTIONS)

PROJECT:
NEW NAPANEE WPCP
 TITLE:
NEW HEADWORKS BUILDING SECTIONS SHEET 3

SCALE: As indicated	JOB NO: 22001
DESIGNED BY: WC	DATE: 2025/01/23
DRAWN BY: LMKDS	DRAWING NO. S1303
CHECKED BY: WC	

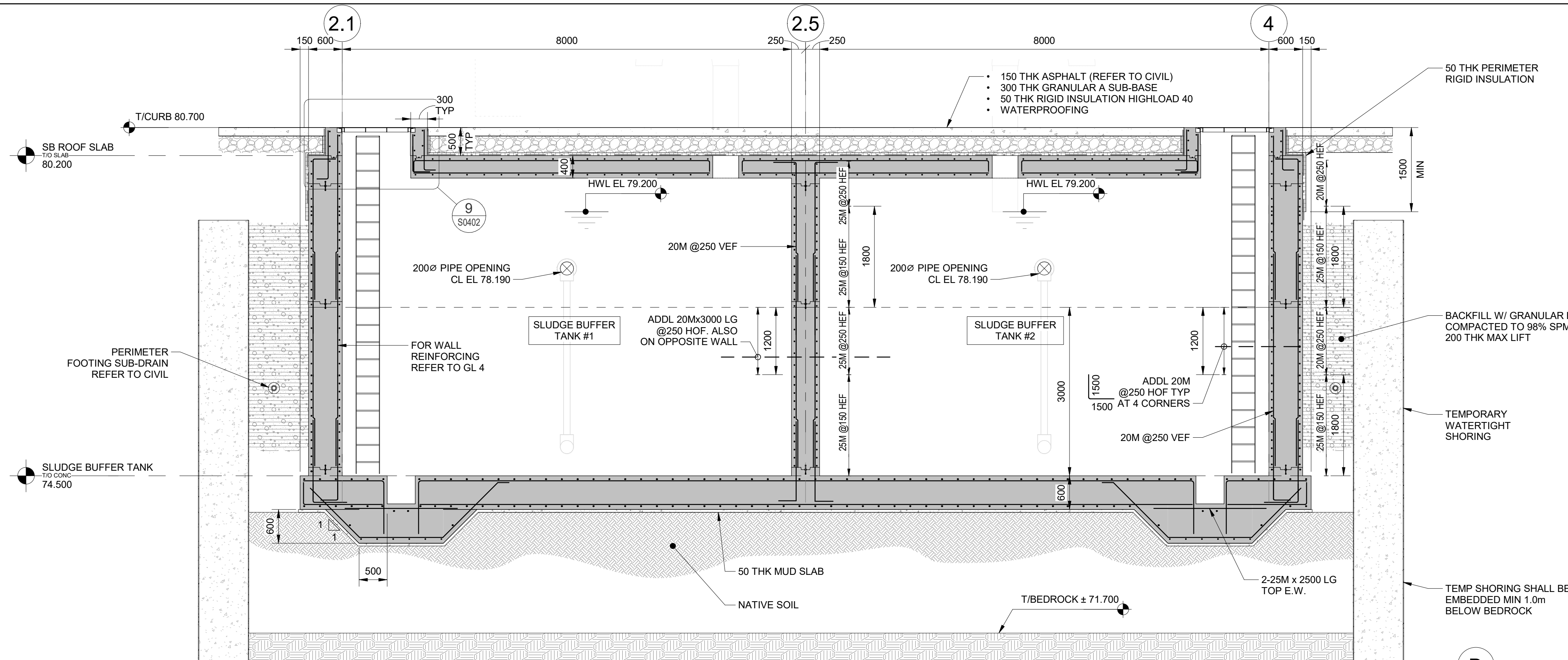


F CROSS SECTION
S102 SCALE: 1 : 25

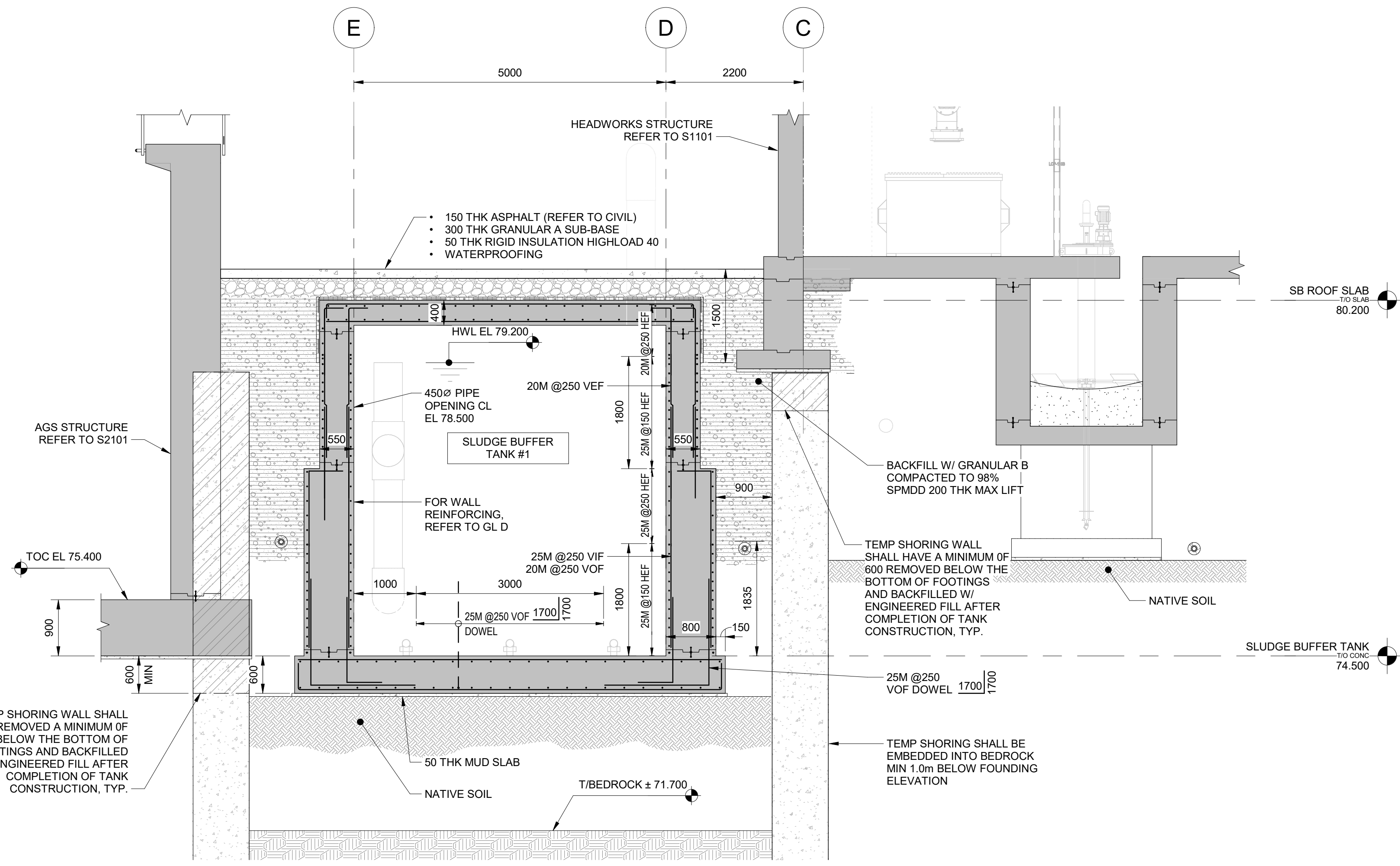


1 VORTEX TANK FOOTING TOC EL 76.38
SCALE: 1 : 25

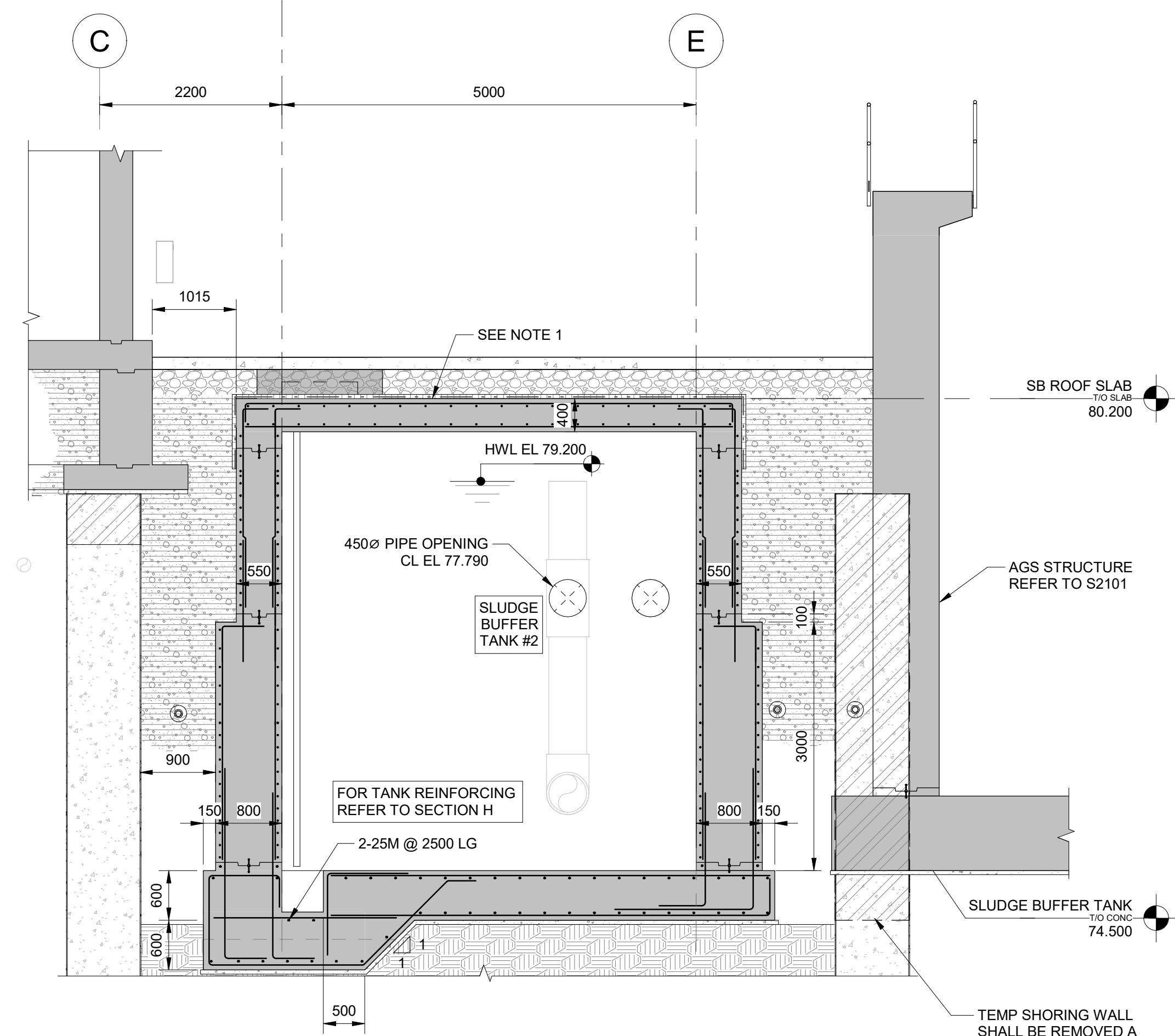
2025-01-22 9:12:26 AM Autodesk Docs://22001 - Napanee New WPCP/S24 - Napanee WPCP Headworks Building.rvt



G SECTION
S102 SCALE: 1 : 50

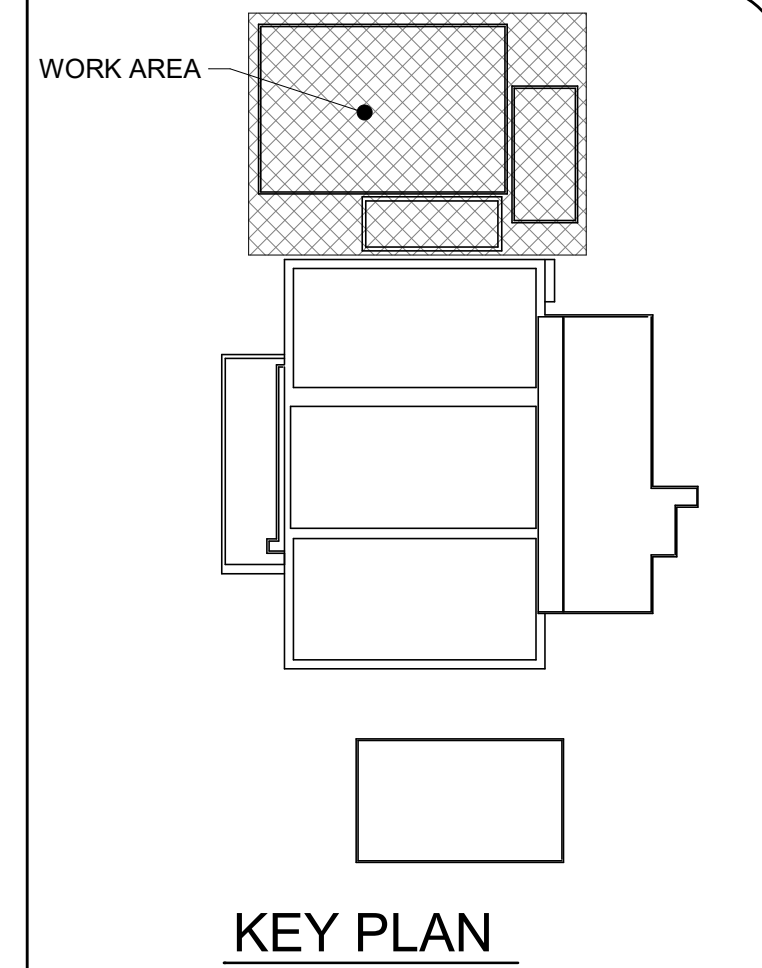


H SECTION
S102 SCALE: 1 : 50



J CROSS SECTION
S102 SCALE: 1 : 50

- NOTES:
- THE ROOF SLAB SHALL BE COMPLETED WITH DESIGN CONCRETE COMPRESSIVE STRENGTH ACHIEVED PRIOR TO HYDROSTATIC LEAK TEST.
 - SUCCESSFUL HYDROSTATIC LEAK TEST SHALL BE COMPLETED PRIOR TO BACKFILLING AROUND THE TANK STRUCTURE.
 - DESIGN PARAMETERS:
SOIL DENSITY = 22 kN/m³
SURCHARGE = 15 kPa
 - FOR PERIMETER AND UNDER SLAB SUB-DRAIN, REFER TO CIVIL.
 - ALL PENETRATIONS SHALL BE COORDINATED WITH PROCESS. REFER TO DETAIL 10 AND 11 ON S0401 FOR ADDITIONAL REBAR.



DATE	NO.	REVISION
2025/01/23	2	ISSUED FOR TENDER
2024/08/23	1	ISSUED FOR ECA APPROVAL

THE DRAWINGS, ARRANGEMENTS, ANNOTATIONS AND GRAPHICAL PRESENTATIONS ON THIS DOCUMENT ARE THE PROPERTY OF EVB ENGINEERING WHO RETAINS OWNERSHIP AND AUTHORITY OF THIS DOCUMENT IN ITS ENTIRETY. THIS DOCUMENT IS AN INSTRUMENT OF SERVICE AND IS THE INTELLECTUAL AND PHYSICAL PROPERTY OF EVB ENGINEERING. AUTHORIZED USE OF THIS DRAWING IS GRANTED SOLELY FOR THE PURPOSE OF THIS SPECIFIC PROJECT AND LOCATION, AND NOT FOR CONSTRUCTION OR USE FOR ANY OTHER PROJECT. COPYRIGHT © 2024 EVB ENGINEERING.



CONSULTANT:
EVB ENGINEERING
800 SECOND STREET WEST
CORNWALL, ONTARIO CANADA, K6J 1H6
TEL: 613-935-3775 | FAX: 613-935-6450
WEBSITE: EVBengineering.com

SUB-CONSULTANT:
CIMA+
CLIENT:
Greater Napanee
CREATING THE SMART REGION

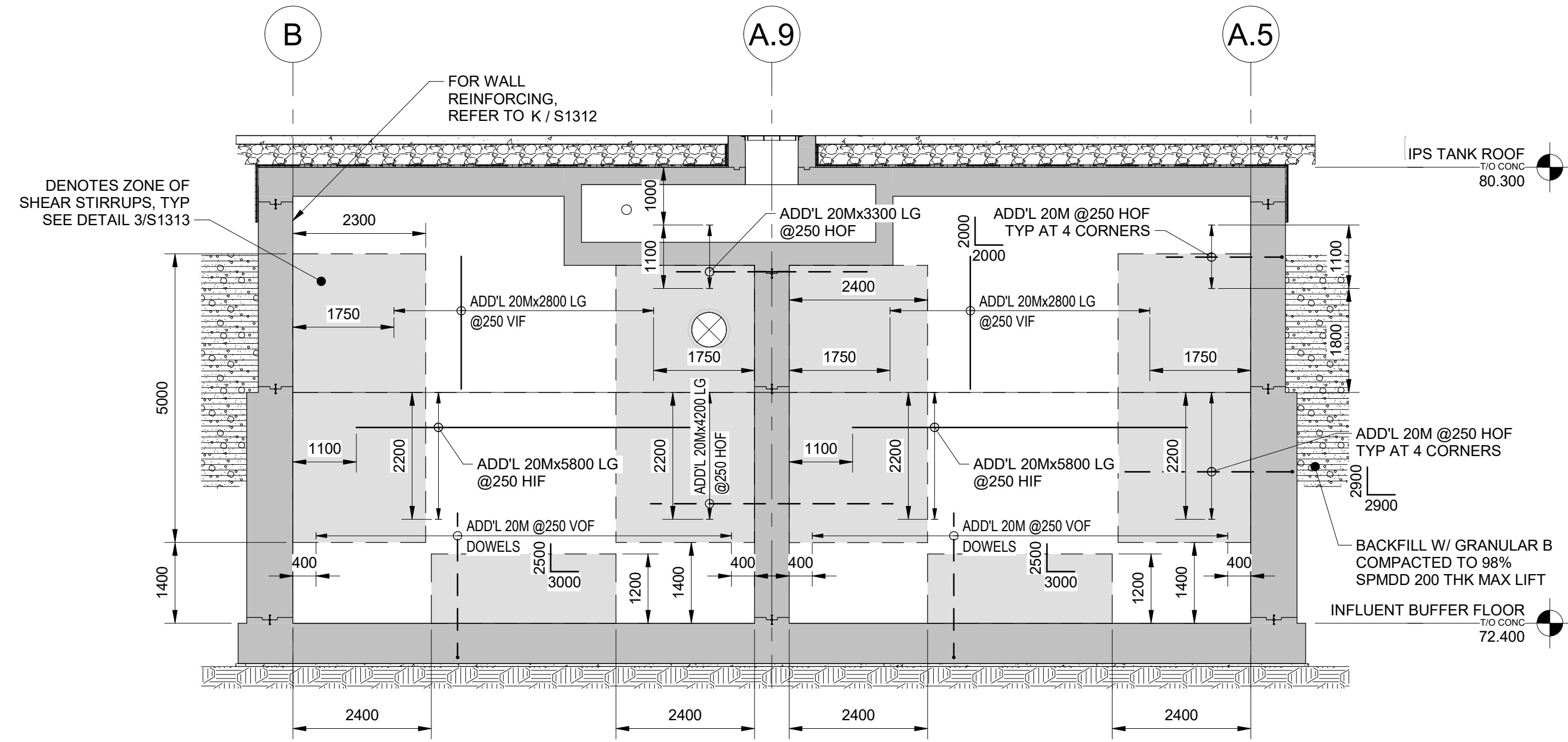
PROJECT:
NEW NAPANEE WPCP
TITLE:
NEW SLUDGE BUFFER TANKS SECTIONS

SCALE: As indicated
DESIGNED BY: YF
DRAWN BY: LMKDS
CHECKED BY: WC

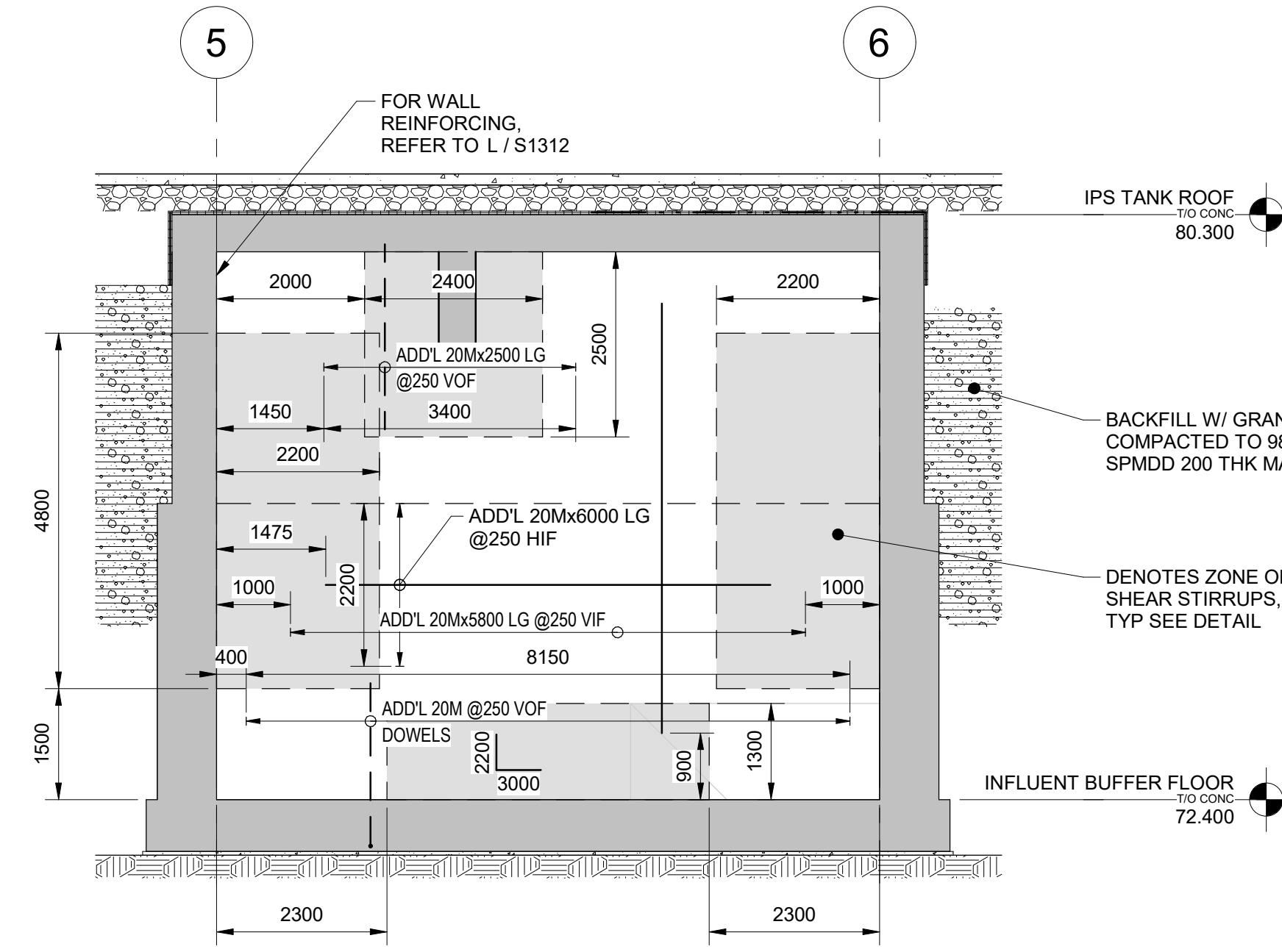
JOB NO: 22001
DATE: 2025/01/23
DRAWING NO:

S1311

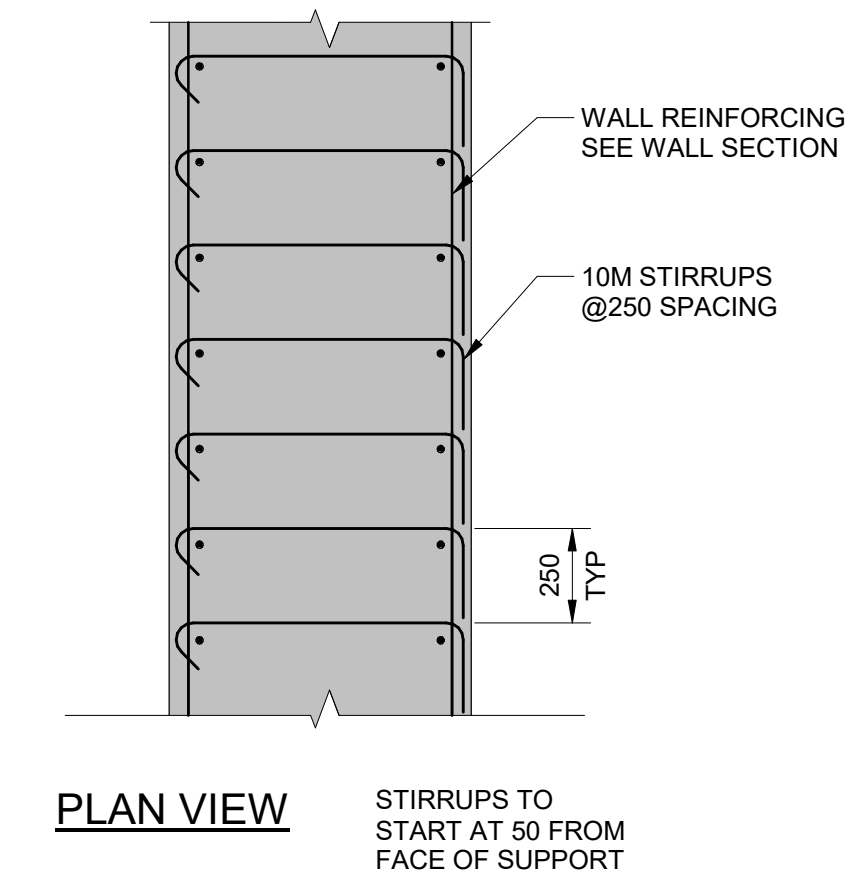
2025-01-22 2:17:01 PM Autodesk Docs://22001 - Napanee New WPCP/S24 - Napanee WPCP Headworks Building.rvt



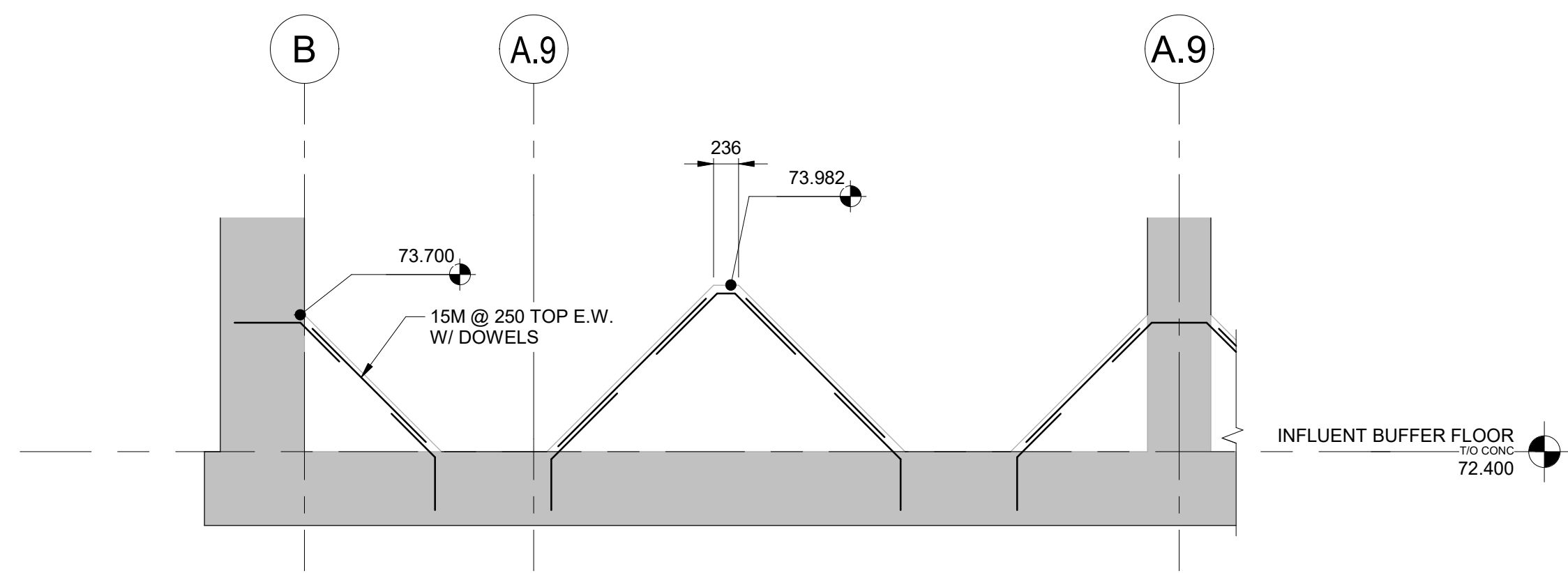
M IPS WEST & EAST WALL ELEVATION
S102 SCALE: 1 : 75



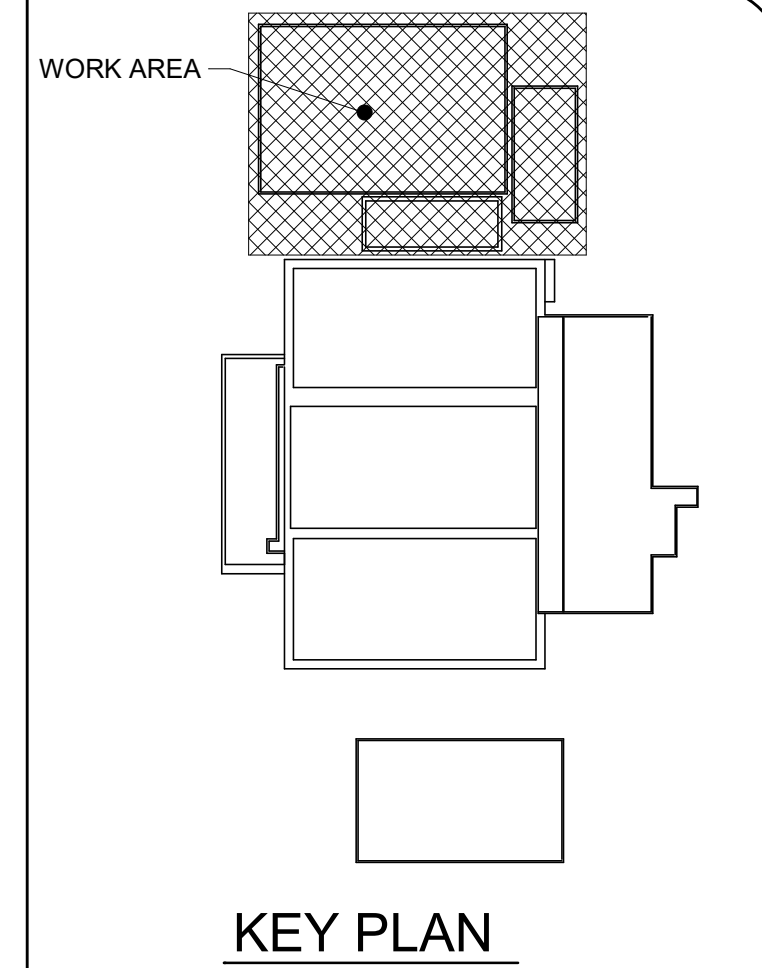
N IPS NORTH & SOUTH ELEVATION
S102 SCALE: 1 : 75



3 WALL SHEAR STIRRUPS
SCALE: 1 : 20



P BENCHING SECTION
S1201 SCALE: 1 : 50



KEY PLAN

DATE	NO.	REVISION
2025/01/23	2	ISSUED FOR TENDER
2024/08/23	1	ISSUED FOR ECA APPROVAL

THE DRAWINGS, ARRANGEMENTS, ANNOTATIONS AND GRAPHICAL PRESENTATIONS ON THIS DOCUMENT ARE THE PROPERTY OF EVB ENGINEERING WHO RETAINS OWNERSHIP AND AUTHORITY OF THIS DOCUMENT IN ITS ENTIRETY. THIS DOCUMENT IS AN INSTRUMENT OF SERVICE AND IS THE INTELLECTUAL AND PHYSICAL PROPERTY OF EVB ENGINEERING. AUTHORIZED USE OF THIS DRAWING IS GRANTED SOLELY FOR THE PURPOSE OF THIS SPECIFIC PROJECT AND LOCATION, AND NOT FOR CONSTRUCTION OR USE FOR ANY OTHER PROJECT. COPYRIGHT © 2024 EVB ENGINEERING.



CONSULTANT:
EVB ENGINEERING
 800 SECOND STREET WEST
 CORNWALL, ONTARIO CANADA, K6J 1H6
 TEL: 613-935-3775 | FAX: 613-935-6450
 WEBSITE: EVBengineering.com

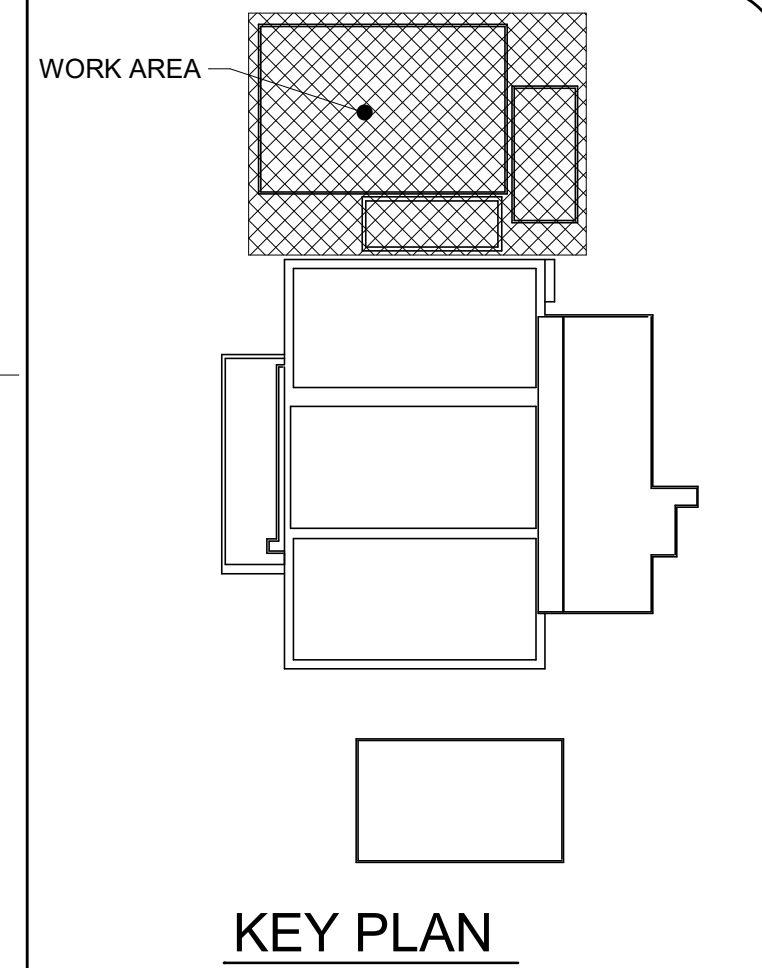
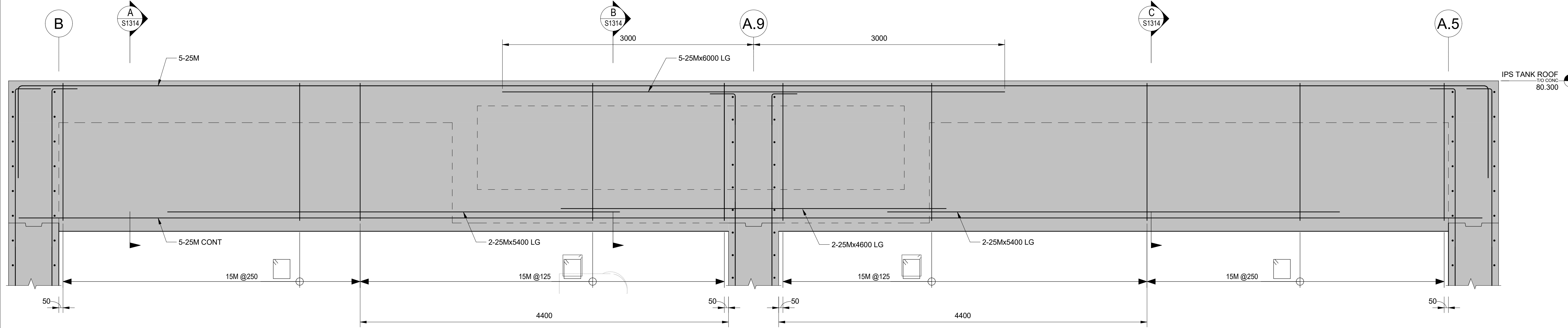
SUB-CONSULTANT:
CIMA+

CLIENT:
Greater Napanee
 GREATER FOR MANY REASONS

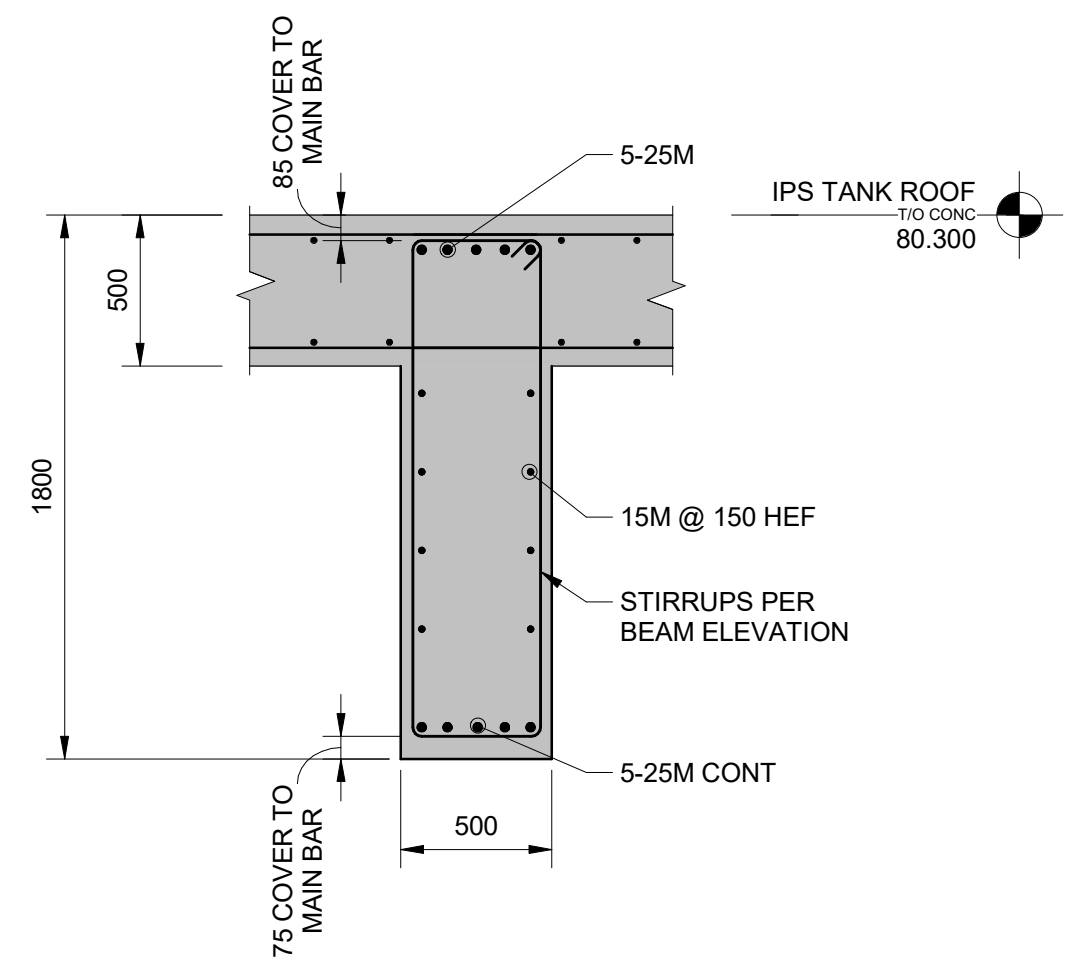
PROJECT:
NEW NAPANEE WPCP

TITLE:
**NEW INTERMEDIATE PUMPING STATION
 ADDITIONAL WALL REBAR ELEVATIONS**

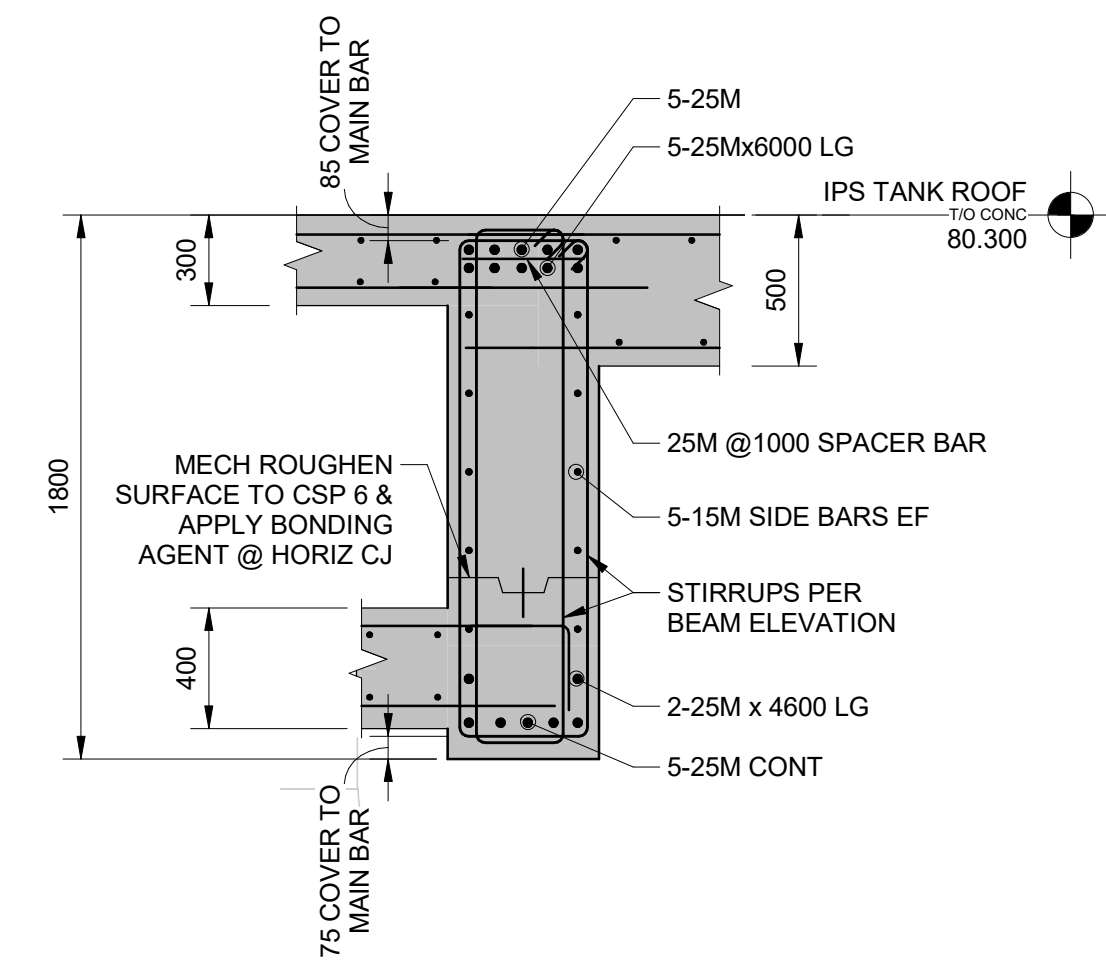
SCALE: As indicated	JOB NO: 22001
DESIGNED BY: JU	DATE: 2025/01/23
DRAWN BY: LMKDS	DRAWING NO.:
CHECKED BY: WC	S1313



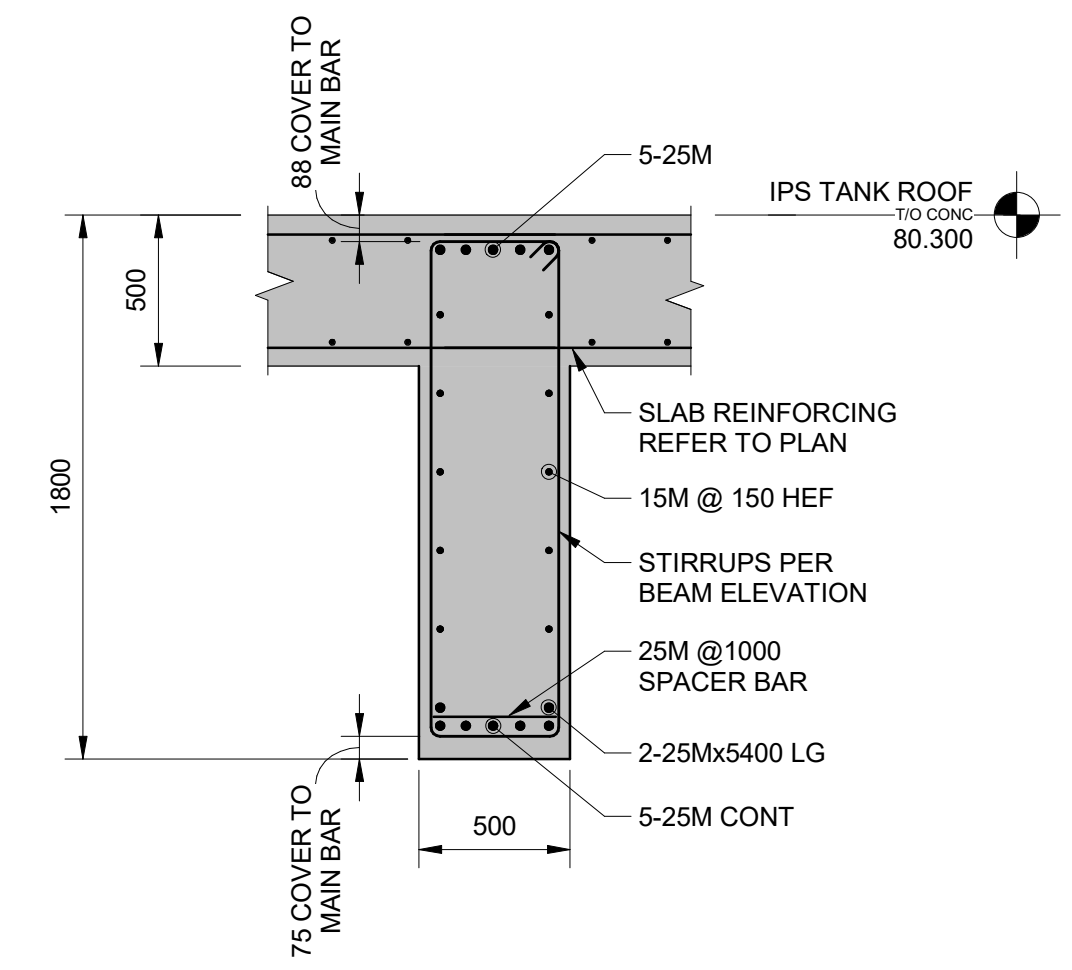
1 400x1700 DP BEAM ELEVATION
S102 SCALE: 1 : 25



A BEAM SECTION
S1314 SCALE: 1 : 25



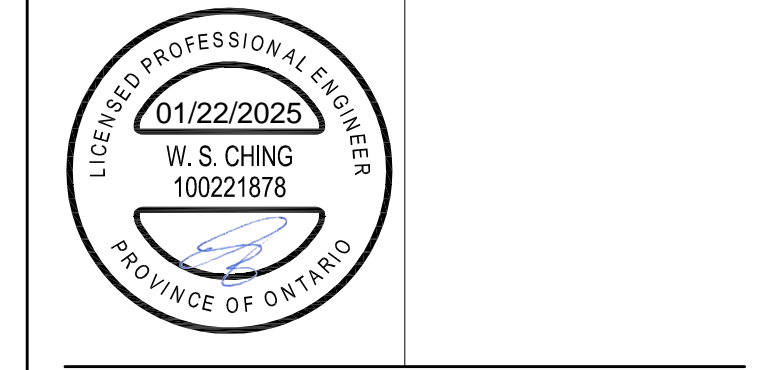
B BEAM SECTION
S1314 SCALE: 1 : 25



C BEAM SECTION
S1314 SCALE: 1 : 25

DATE	NO.	REVISION
2025/01/23	2	ISSUED FOR TENDER
2024/08/23	1	ISSUED FOR ECA APPROVAL

THE DRAWINGS, ARRANGEMENTS, ANNOTATIONS AND GRAPHICAL PRESENTATIONS ON THIS DOCUMENT ARE THE PROPERTY OF EVB ENGINEERING WHO RETAINS OWNERSHIP AND AUTHORITY OF THIS DOCUMENT. IN ITS ENTIRETY THIS DOCUMENT IS AN INSTRUMENT OF SERVICE AND IS THE INTELLECTUAL AND PHYSICAL PROPERTY OF EVB ENGINEERING. AUTHORIZED USE OF THIS DRAWING IS GRANTED SOLELY FOR THE PURPOSE OF THIS SPECIFIC PROJECT AND LOCATION, AND NOT FOR CONSTRUCTION OR USE FOR ANY OTHER PROJECT. COPYRIGHT © 2024 EVB ENGINEERING.



CONSULTANT:
EVB ENGINEERING
 800 SECOND STREET WEST
 CORNWALL, ONTARIO CANADA, K6J 1H6
 TEL: 613-935-3775 | FAX: 613-935-6450
 WEBSITE: EVBengineering.com

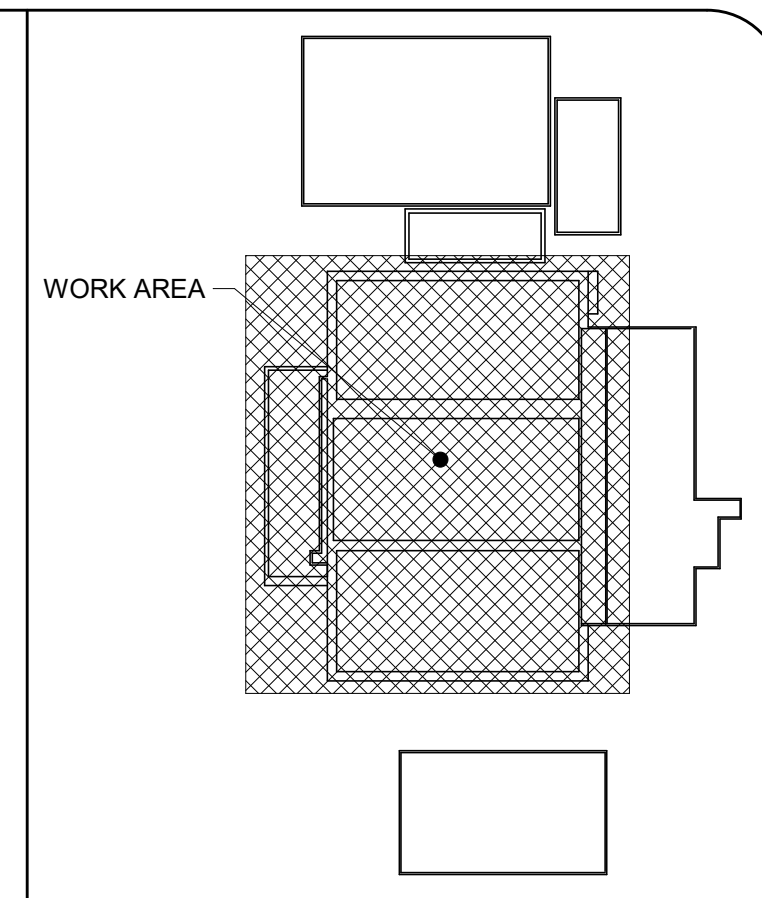
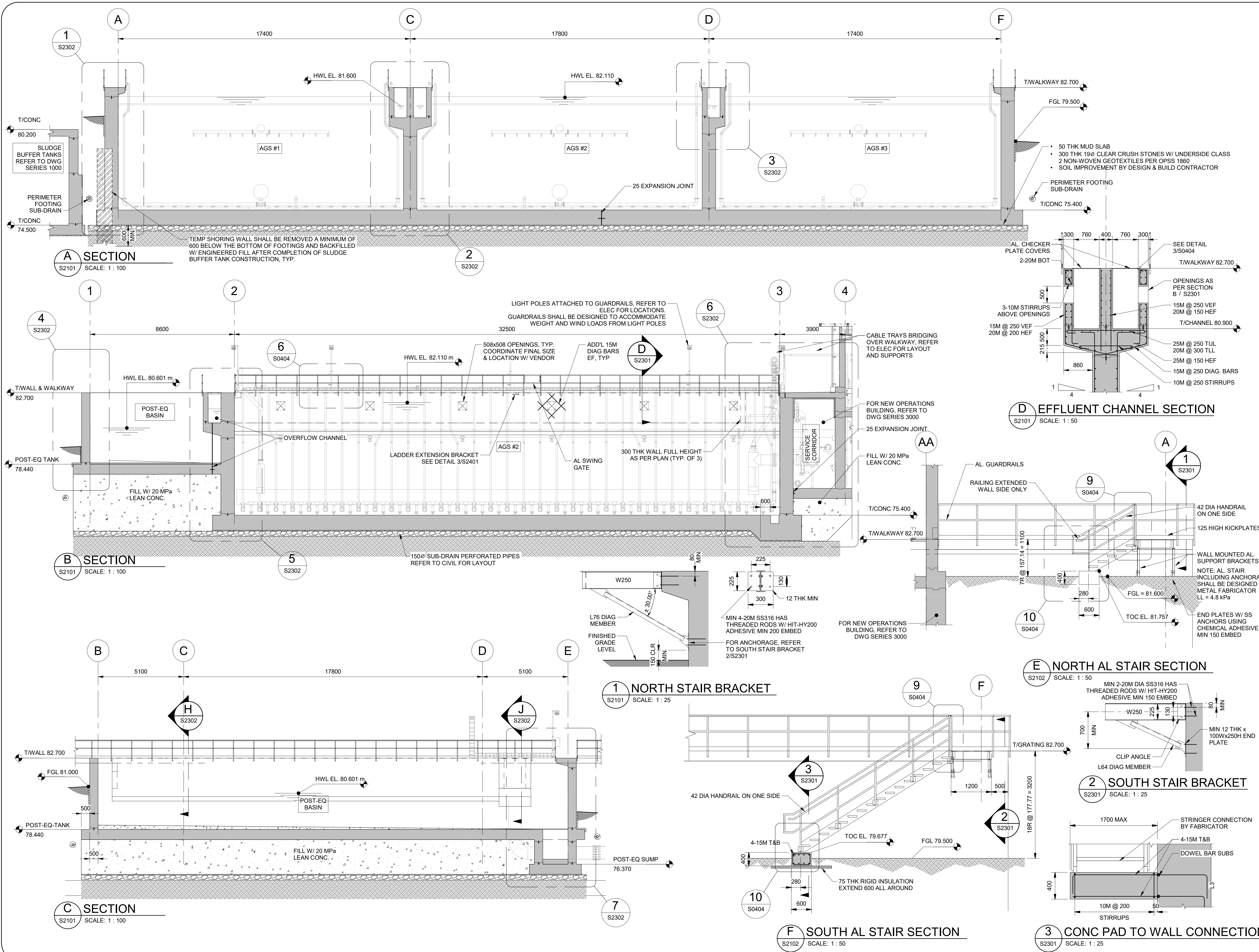
SUB-CONSULTANT:
CIMA+

CLIENT:
Greater Napanee
 GREATER FOR BAYT REGION

PROJECT:
NEW NAPANEE WPCP

TITLE:
NEW INTERMEDIATE PUMPING STATION - BEAM ELEVATION AND DETAILS

SCALE: As indicated	JOB NO: 22001
DESIGNED BY: JU	DATE: 2025/01/23
DRAWN BY: LMKDS	DRAWING NO.:
CHECKED BY: WC	S1314



KEY PLAN

- SOIL IMPROVEMENT DESIGN NOTES:**
- PERFORM SOIL IMPROVEMENT WITHIN THE UPPER CLAY LAYERS USING RIGID INCLUSION COLUMNS TECHNIQUE. ALL ELEMENTS SHALL BE INSTALLED ON TOP OF THE SOUND BEDROCK.
 - THE IMPROVED SOILS SHALL ACHIEVE THE FOLLOWING DESIGN CRITERIA:
 - A. MINIMUM ALLOWABLE BEARING PRESSURE: 150 kPa SLS, 225 kPa ULS.
 - B. MAXIMUM TOTAL LONG-TERM SETTLEMENT: 25mm
 - C. MAXIMUM DIFFERENTIAL SETTLEMENT: 12mm
 - D. MINIMUM SOIL SUBGRADE MODULOUS OF 6000 kPa/m
 - THE INSTALLATION SHALL BE CERTIFIED BY THE DESIGN AND BUILD SOIL IMPROVEMENT CONTRACTOR'S PROFESSIONAL ENGINEER.
 - GRANULAR WORKING PAD SHALL BE INSTALLED FOR THE EQUIPMENT RIG CERTIFIED BY THE CONTRACTOR'S PROFESSIONAL ENGINEER.
 - TOP OF BEDROCK IS RANGING FROM EL ± 67.000 TO EL. 72.000 m.

NO.	REVISION
1	ISSUED FOR TENDER
2	ISSUED FOR ECA APPROVAL

DATE: 2025/01/23

THE DRAWINGS, ARRANGEMENTS, ANNOTATIONS AND GRAPHICAL PRESENTATIONS ON THIS DOCUMENT ARE THE PROPERTY OF EVB ENGINEERING WHO RETAINS OWNERSHIP AND AUTHORITY OF THIS DOCUMENT. IN THE EVENT THIS DOCUMENT IS AN INSTRUMENT OF SERVICE AND IS THE INTELLECTUAL AND PHYSICAL PROPERTY OF EVB ENGINEERING, AUTHORIZED USE OF THIS DRAWING IS GRANTED SOLELY FOR THE PURPOSE OF THIS SPECIFIC PROJECT AND LOCATION, AND NOT FOR CONSTRUCTION OR USE FOR ANY OTHER PROJECT.

EV B ENGINEERING
 LICENSED PROFESSIONAL ENGINEER
 W. S. CHING
 100221878
 PROVINCE OF ONTARIO

CONSULTANT:
EV B ENGINEERING
 800 SECOND STREET WEST
 CORNWALL, ONTARIO CANADA, K6J 1H6
 TEL: 613-935-3775 | FAX: 613-935-6450
 WEBSITE: EVBengineering.com

SUB-CONSULTANT:
CIMA+

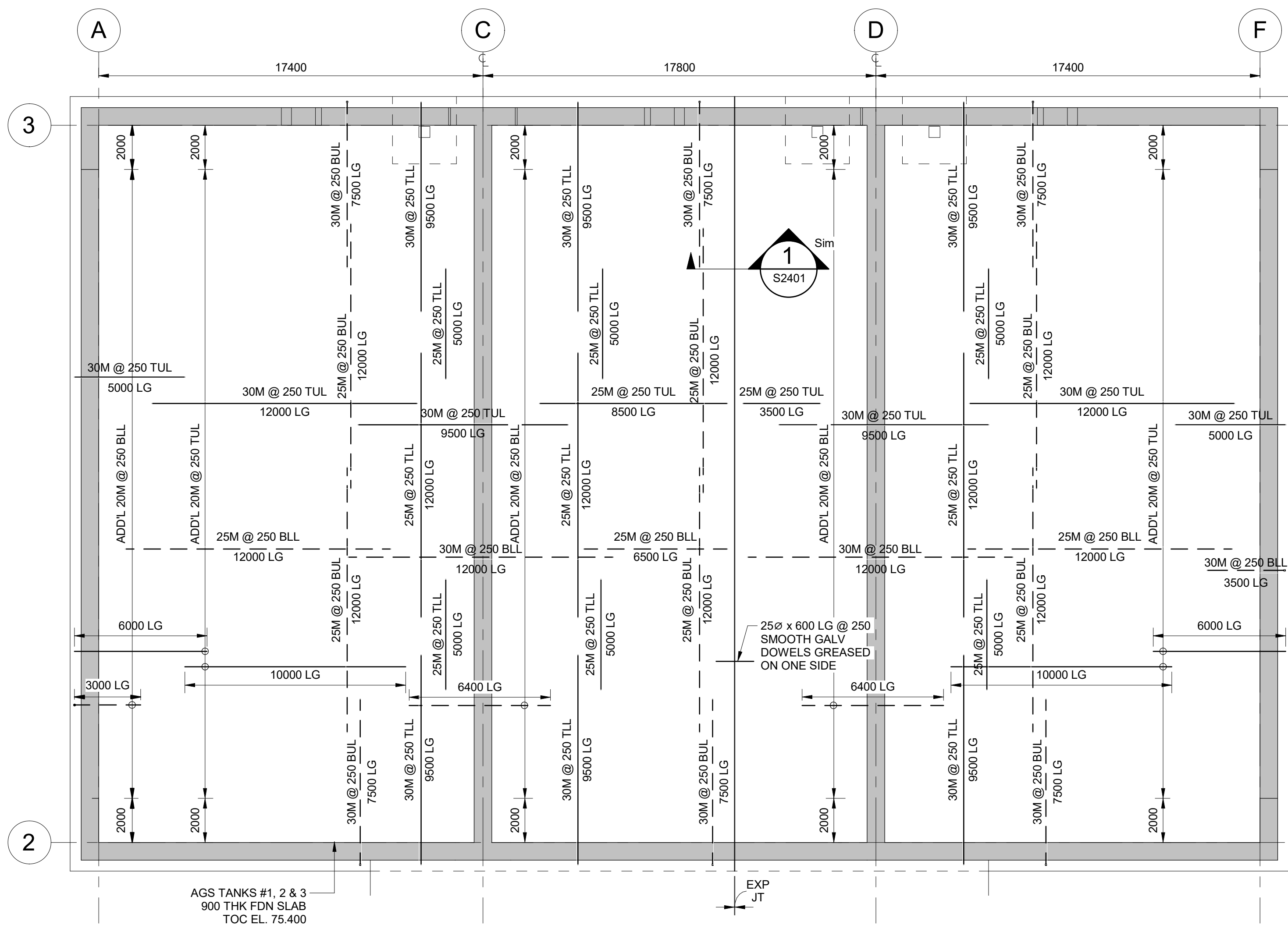
CLIENT:
Greater Napanee
 (GRANTS FOR WATER SERVICES)

PROJECT:
NEW NAPANEE WPCP

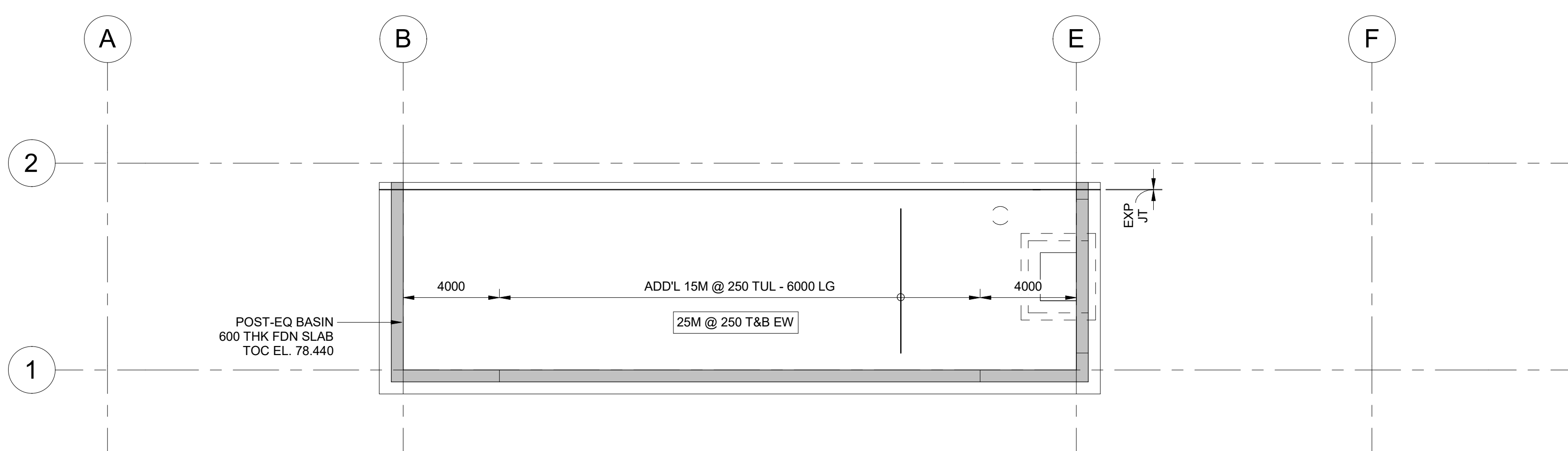
TITLE:
NEW AGS TANKS - SECTIONS

SCALE: As indicated	JOB NO: 22001
DESIGNED BY: WC	DATE: 2025/01/23
DRAWN BY: LMKDS	DRAWING NO. S2301
CHECKED BY: ARP	

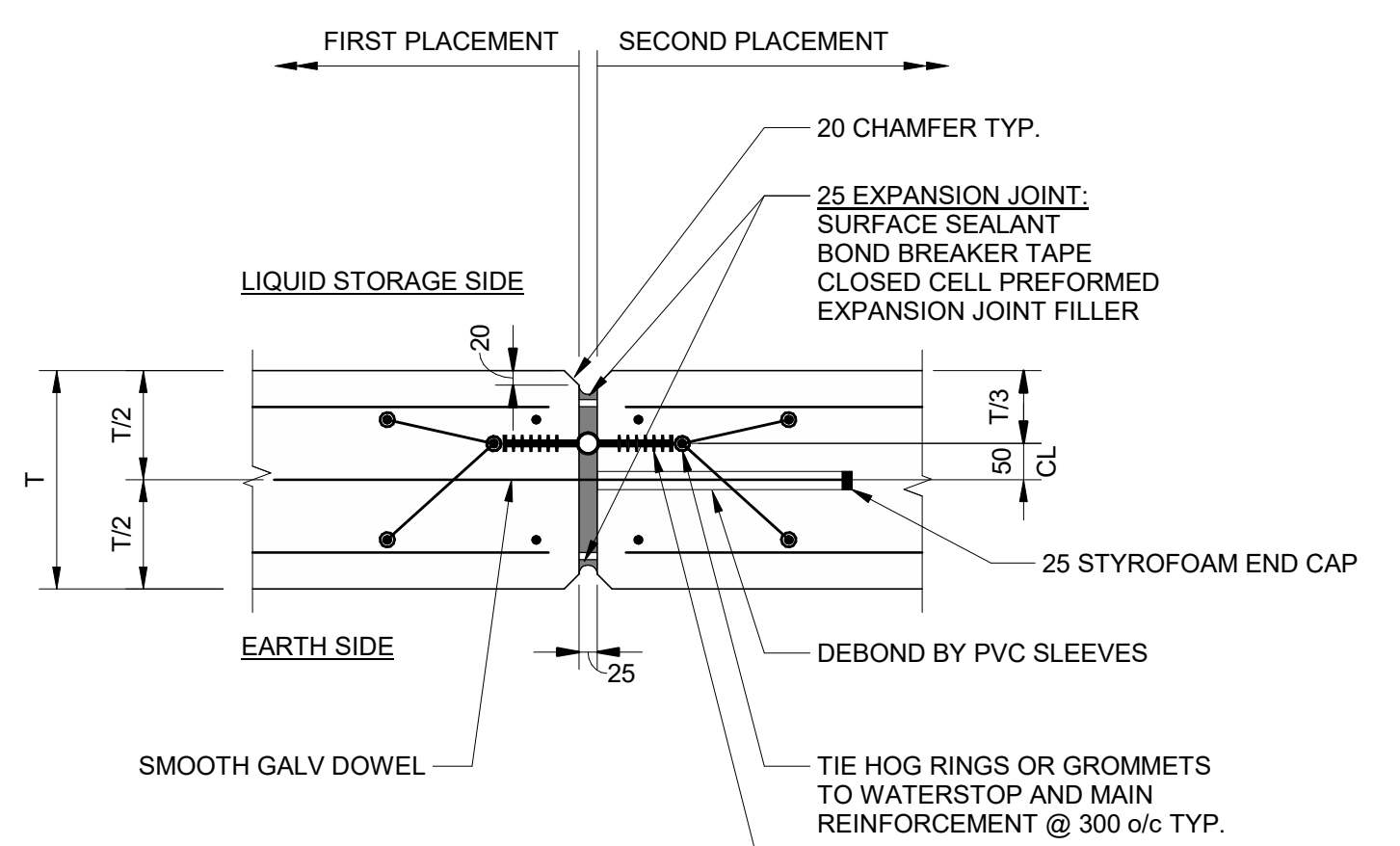
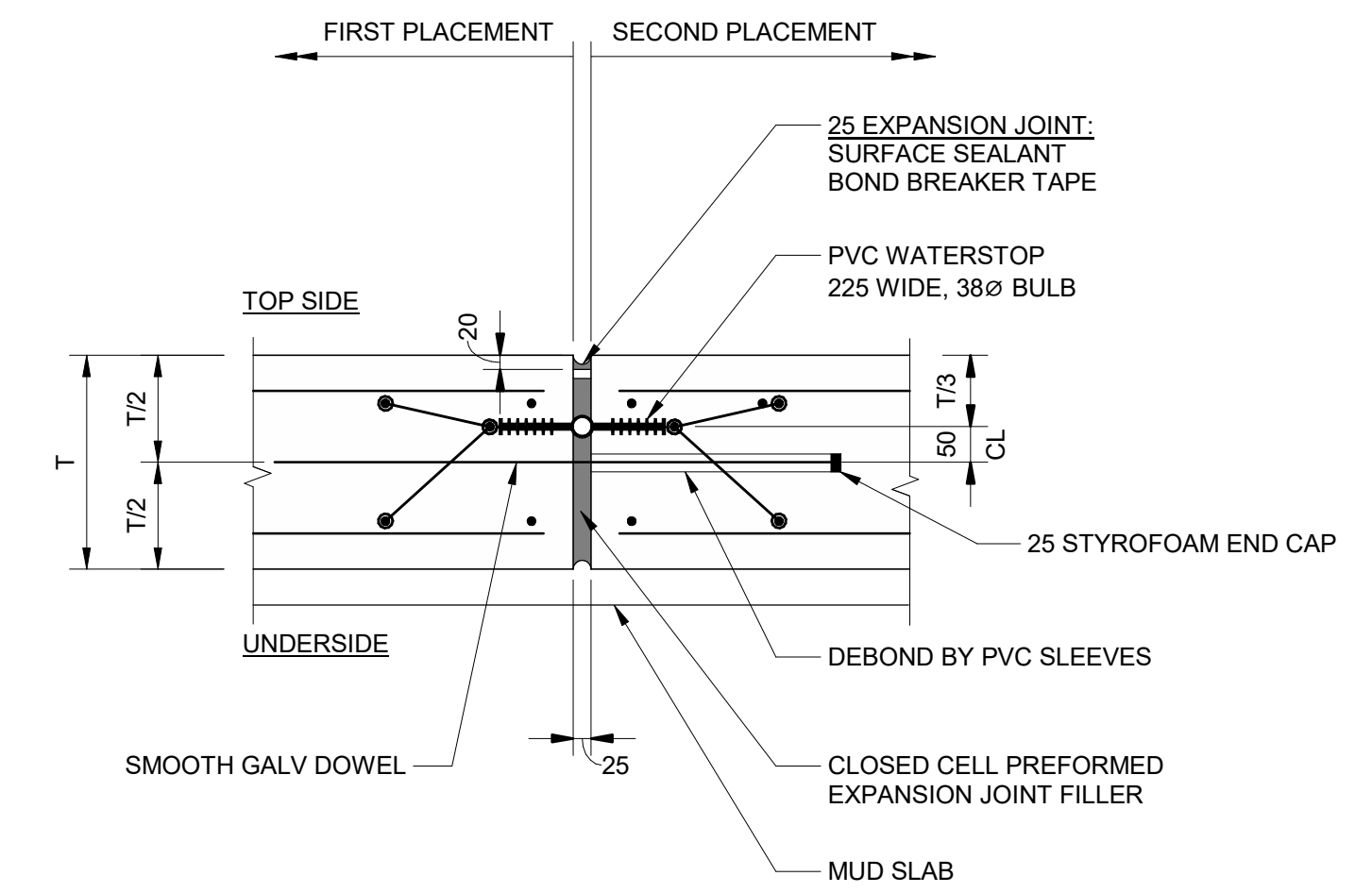
2025-01-22 8:49:25 AM Autodesk Docs://22001 - Napanee New WPCP/S24 - Napanee WPCP Upgrades AGS Tanks.dwg



AGS TANKS BASE SLAB REINF. PLAN

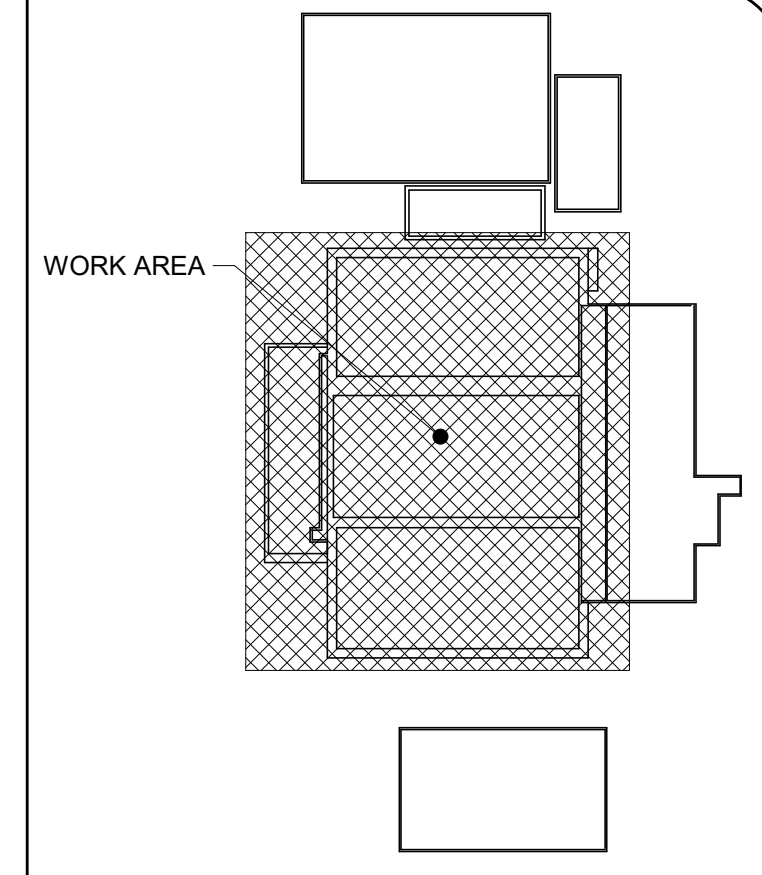
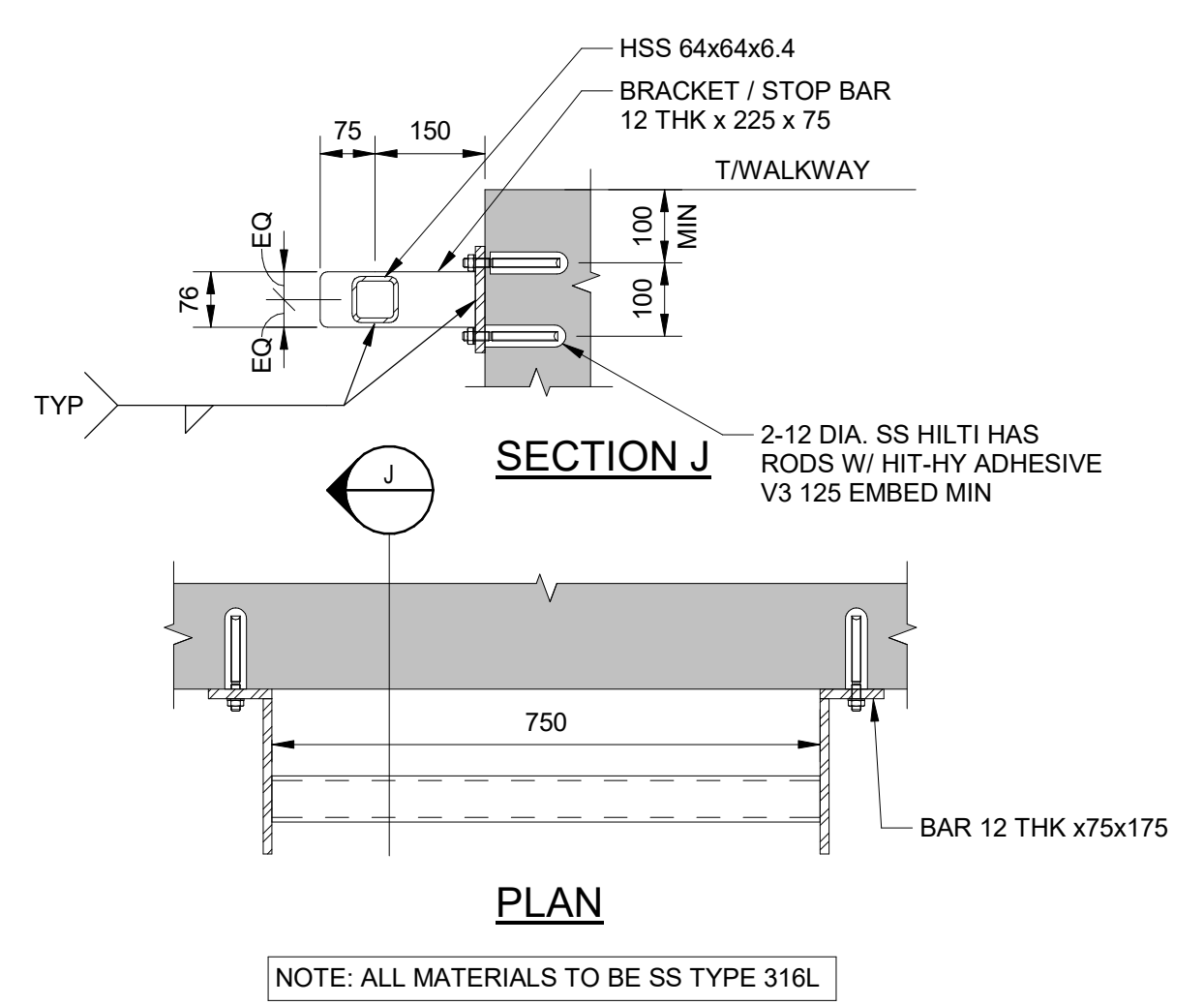


POST-EQ BASIN BASE SLAB REINF. PLAN



INSTRUCTIONS:
CLEAN JOINT, INSTALL BOND BREAKER,
APPLY PRIMER AND SEALANT AS PER
MANUFACTURER'S RECOMMENDATIONS.

3 LADDER EXTENSION BRACKET DETAIL
SCALE: 1 : 10



DATE	NO.	REVISION
2025/01/23	2	ISSUED FOR TENDER
2024/08/23	1	ISSUED FOR ECA APPROVAL

THE DRAWINGS, ARRANGEMENTS, ANNOTATIONS AND GRAPHICAL PRESENTATIONS ON THIS DOCUMENT ARE THE PROPERTY OF EVB ENGINEERING WHO RETAINS OWNERSHIP AND AUTHORITY OF THIS DOCUMENT IN ITS ENTIRETY. THIS DOCUMENT IS AN INSTRUMENT OF SERVICE AND IS THE INTELLECTUAL AND PHYSICAL PROPERTY OF EVB ENGINEERING. AUTHORIZED USE OF THIS DRAWING IS GRANTED SOLELY FOR THE PURPOSE OF THIS SPECIFIC PROJECT AND LOCATION, AND NOT FOR CONSTRUCTION OR USE FOR ANY OTHER PROJECT. COPYRIGHT © 2024 EVB ENGINEERING.



CONSULTANT:

 800 SECOND STREET WEST
 CORNWALL, ONTARIO CANADA, K6J 1H6
 TEL: 613-935-3775 | FAX: 613-935-6450
 WEBSITE: EVBengineering.com

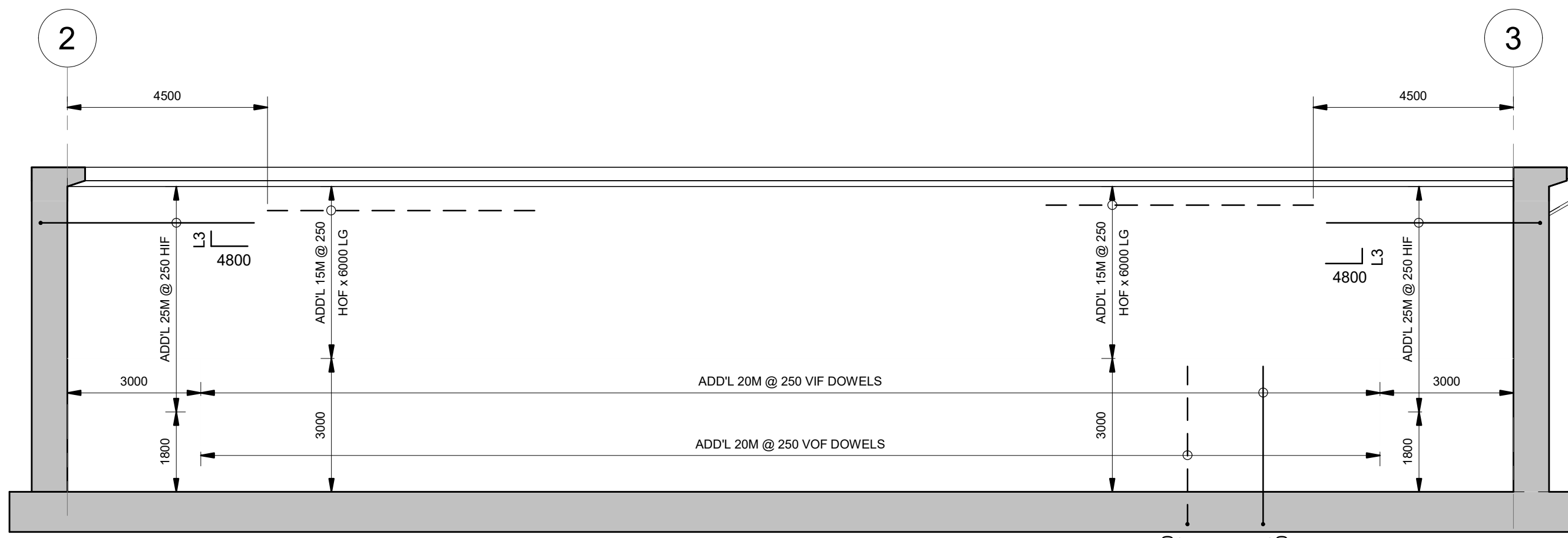
SUB-CONSULTANT:

 CLIENT:

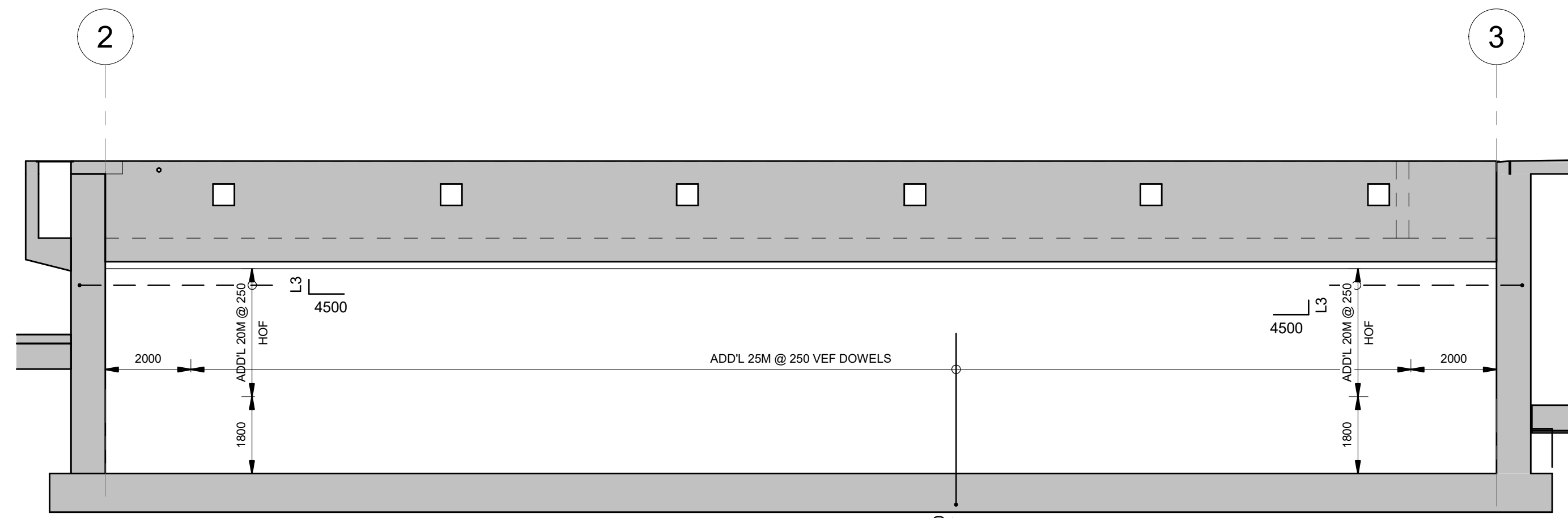
 Greater Napanee
 (Greater for Many Reasons)

PROJECT:
 NEW NAPANEE WPCP
 TITLE:
 NEW AGS TANKS - BASE SLAB REINF.

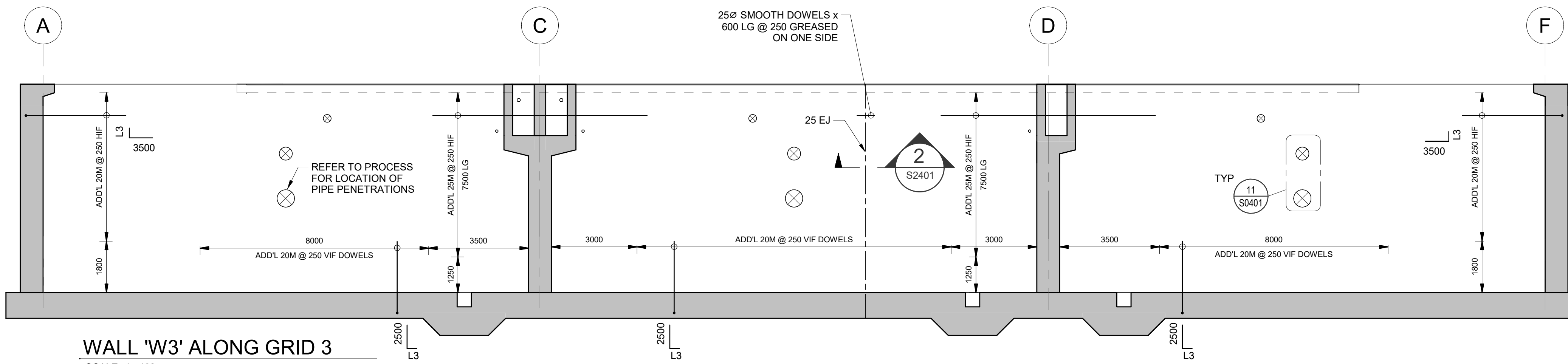
SCALE: As indicated	JOB NO: 22001
DESIGNED BY: WC	DATE: 2025/01/23
DRAWN BY: LMKDS	DRAWING NO.:
CHECKED BY: ARP	S2401



AGS WALL 'W1' ALONG GRID A & F
SCALE: 1 : 100



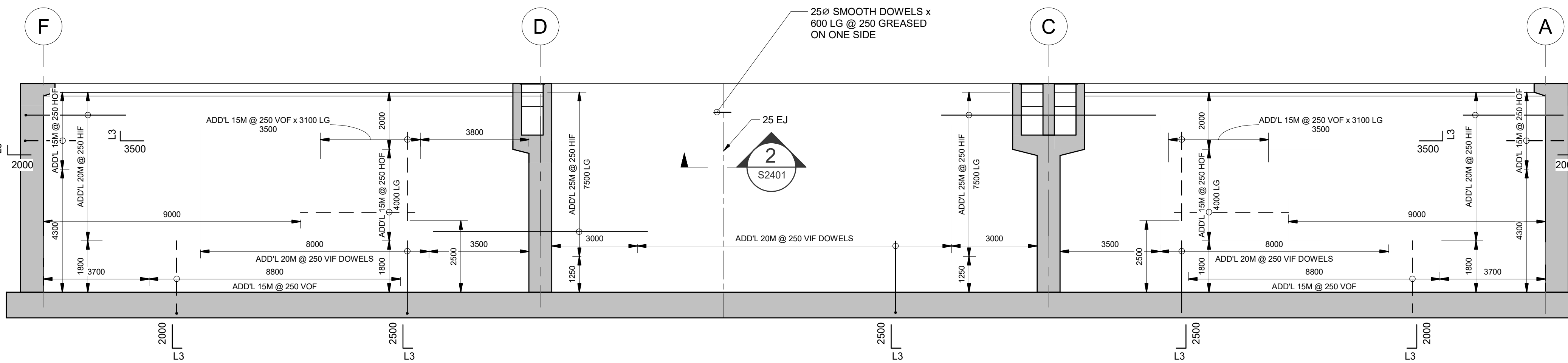
AGS WALLS 'W2' ALONG GRID C & D
SCALE: 1 : 100



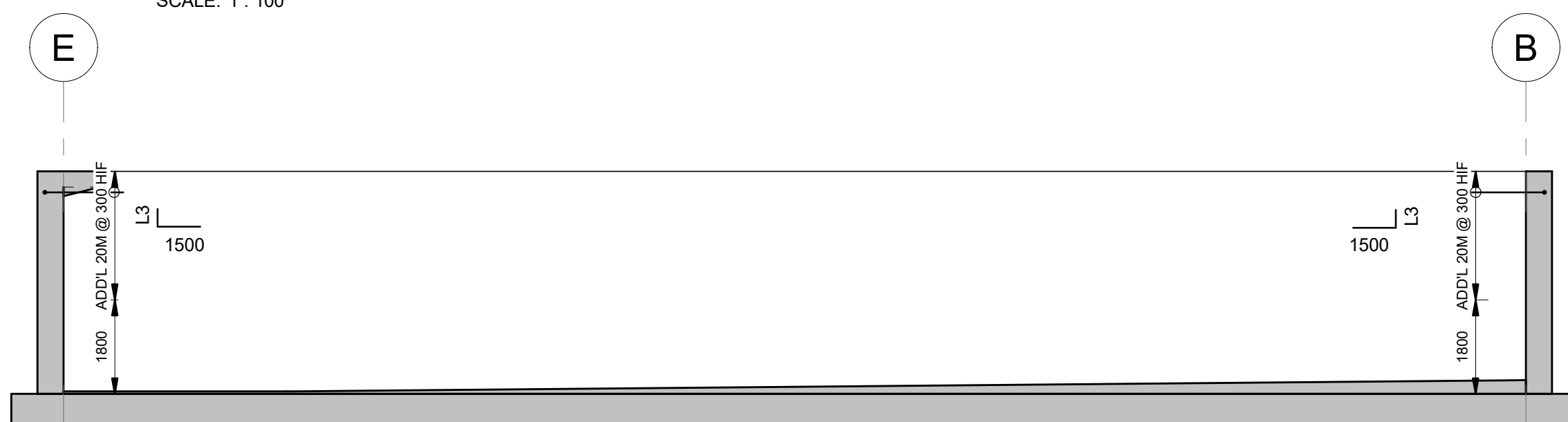
WALL 'W3' ALONG GRID 3
SCALE: 1 : 100

WALL REBAR SCHEDULE				
MARK	THICK	VERT. BARS	HOR. BARS	MIN. SHRINKAGE REINF. WITHIN 1800 ABOVE HOR. CJ
W1 TO W4	800	25M @ 250 EF	25M @ 250 EF	25M @ 150 HEF
W5 TO W6	500	25M @ 250 EF	25M @ 300 EF	ADD'L 20M @ 300 HEF

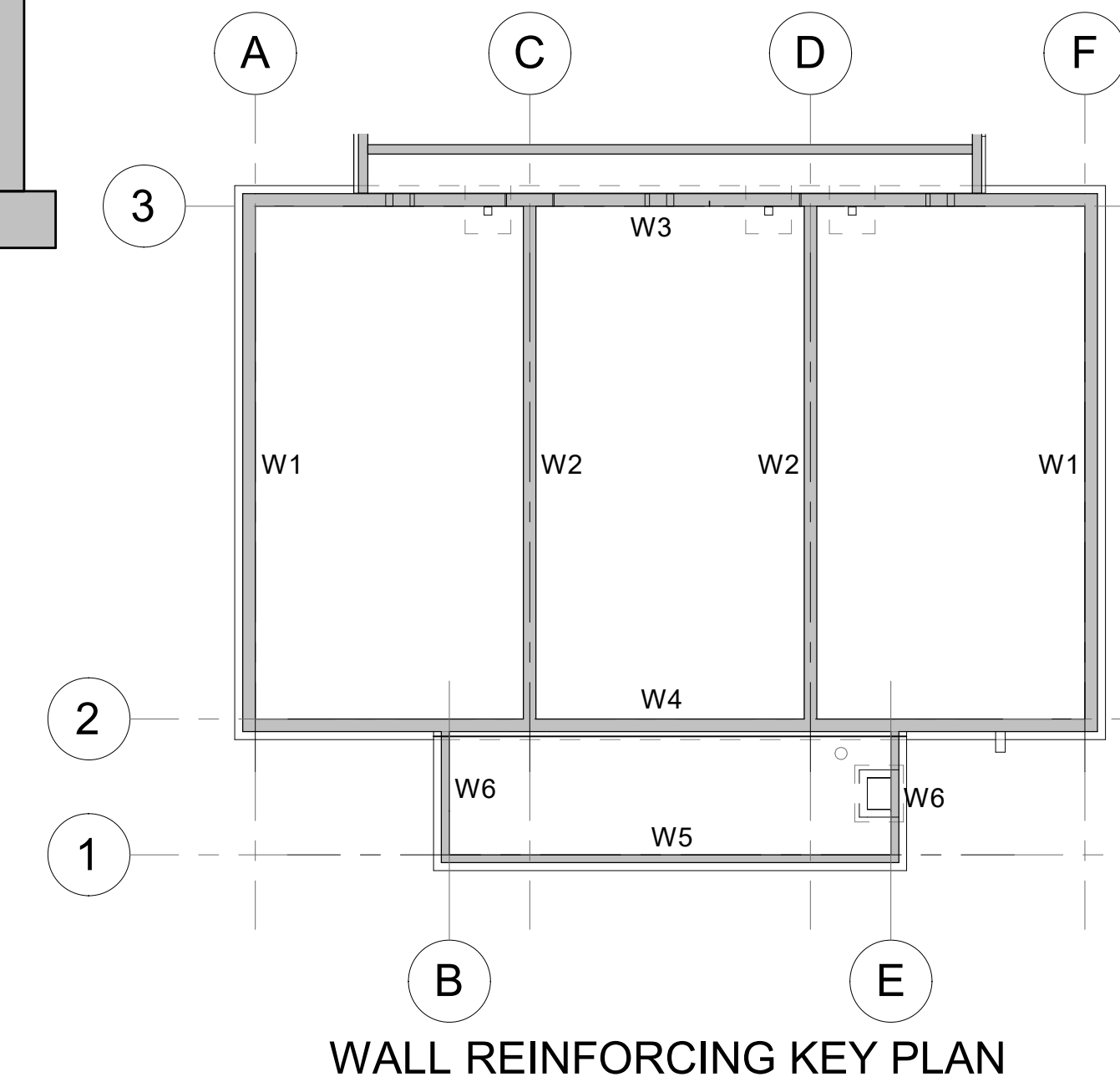
NOTE:
INTRODUCING A HORIZONTAL CONSTRUCTION JOINT WILL REQUIRE MIN HORIZONTAL SHRINKAGE REINF ABOVE THE CJ AS INDICATED IN THE WALL REBAR SCHEDULE



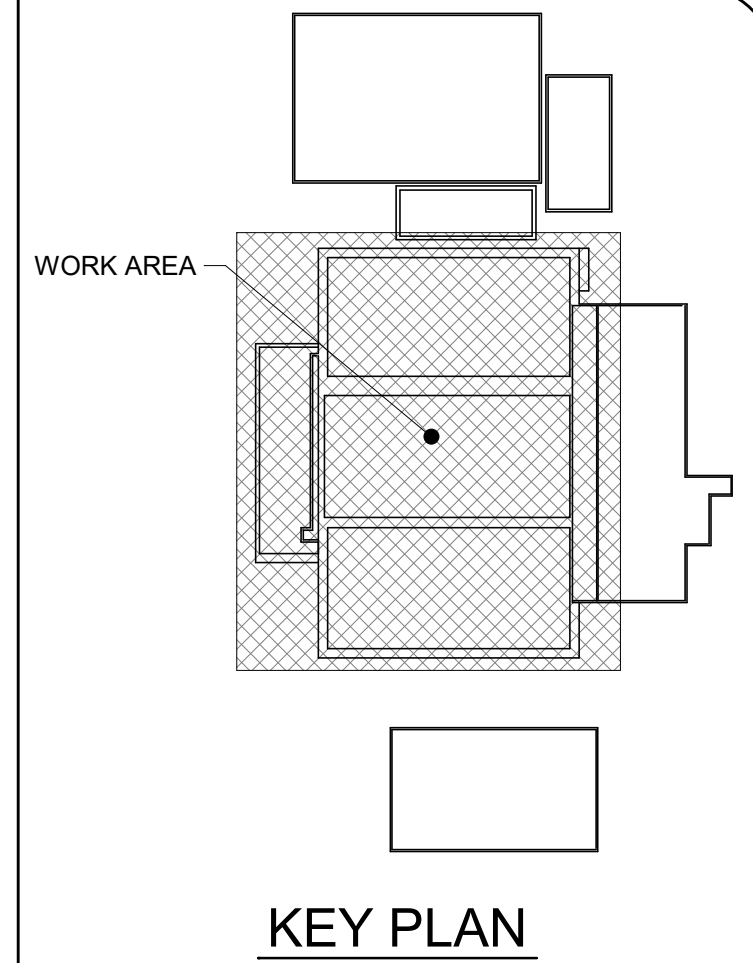
AGS WALL 'W4' ALONG GRID 2
SCALE: 1 : 100



POST-EQ WALL 'W5' ALONG GRID 1
SCALE: 1 : 100



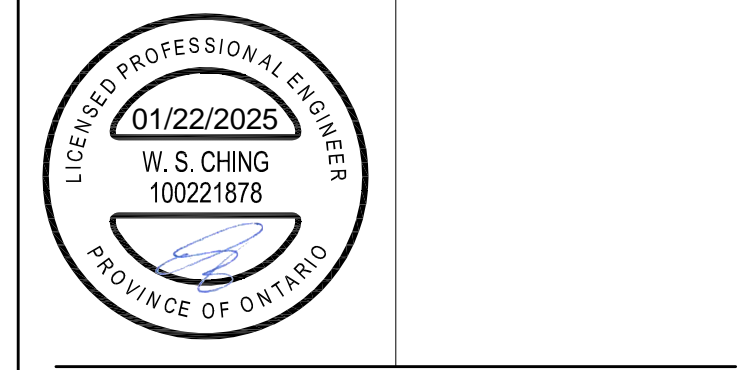
WALL REINFORCING KEY PLAN



KEY PLAN

DATE	NO.	REVISION
2025/01/23	2	ISSUED FOR TENDER
2024/08/23	1	ISSUED FOR ECA APPROVAL

THE DRAWINGS, ARRANGEMENTS, ANNOTATIONS AND GRAPHICAL PRESENTATIONS ON THIS DOCUMENT ARE THE PROPERTY OF EVB ENGINEERING WHO RETAINS OWNERSHIP AND AUTHORITY OF THIS DOCUMENT IN ITS ENTIRETY. THIS DOCUMENT IS AN INSTRUMENT OF SERVICE AND IS THE INTELLECTUAL AND PHYSICAL PROPERTY OF EVB ENGINEERING. AUTHORIZED USE OF THIS DRAWING IS GRANTED SOLELY FOR THE PURPOSE OF THIS SPECIFIC PROJECT AND LOCATION, AND NOT FOR CONSTRUCTION OR USE FOR ANY OTHER PROJECT. COPYRIGHT © 2024 EVB ENGINEERING.



CONSULTANT:
EVB ENGINEERING
800 SECOND STREET WEST
CORNWALL, ONTARIO CANADA, K6J 1H6
TEL: 613-935-3775 | FAX: 613-935-6450
WEBSITE: EVBengineering.com

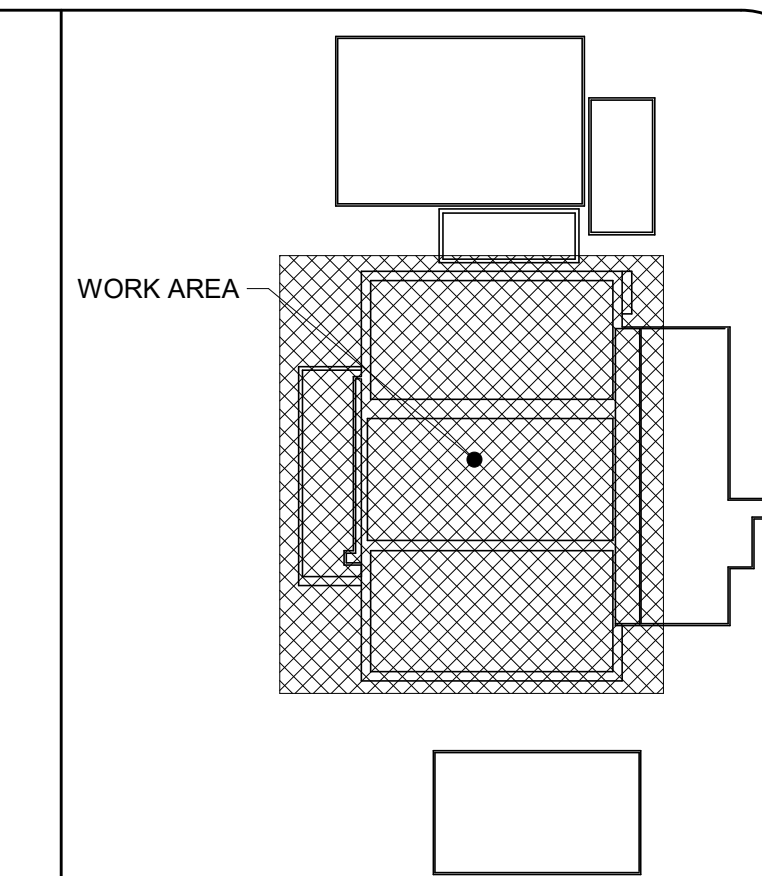
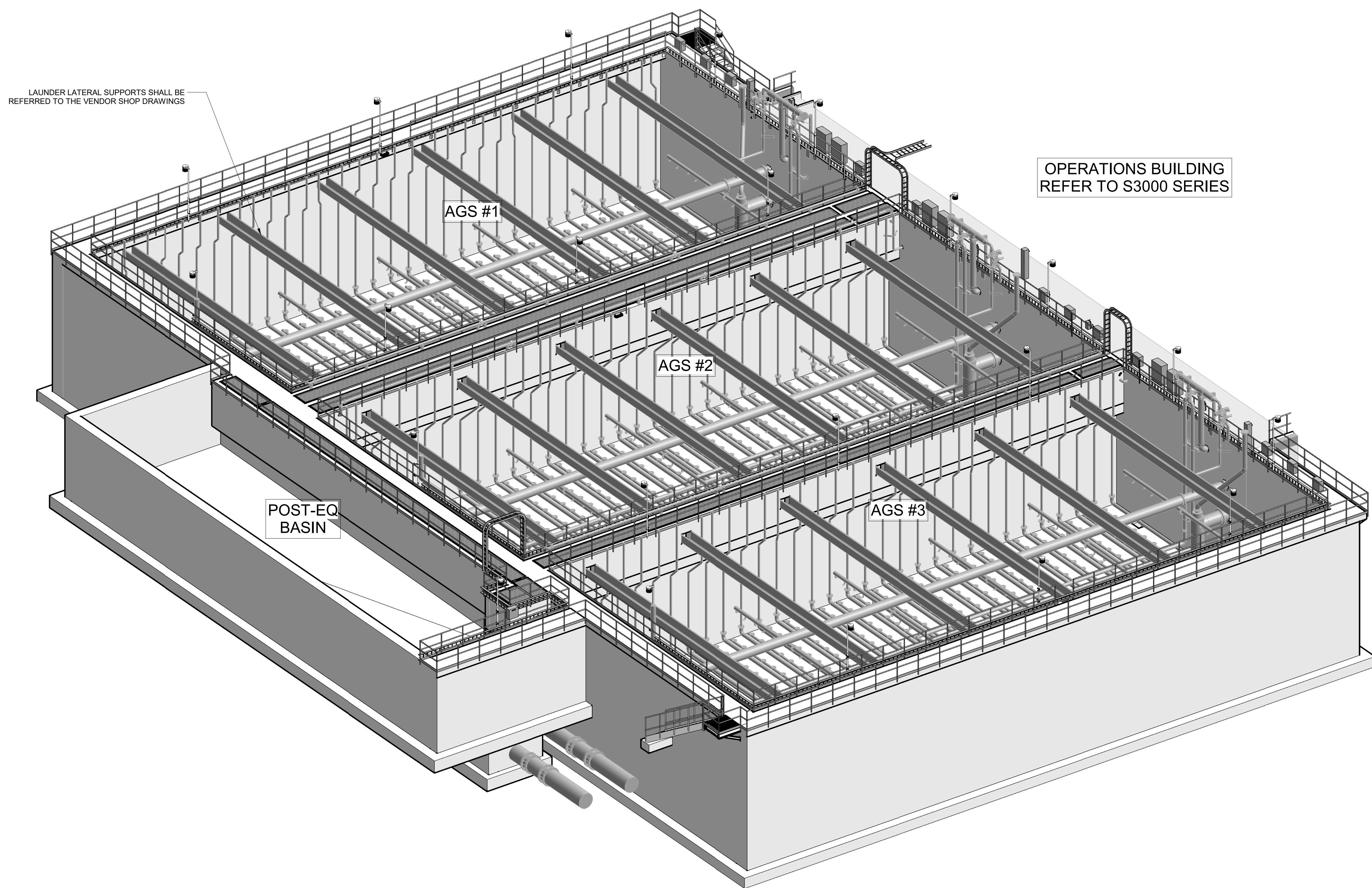
SUB-CONSULTANT:
CIMA+

CLIENT:
Greater Napanee
GRANDER FOR BAYT RESIDING

PROJECT:
NEW NAPANEE WPCP

TITLE:
NEW AGS TANKS - WALL REINFORCEMENT

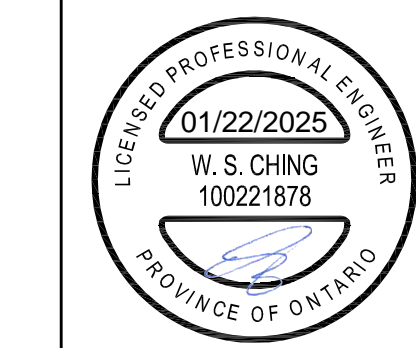
SCALE: As indicated	JOB NO: 22001
DESIGNED BY: WC	DATE: 2025/01/23
DRAWN BY: LMKDS	DRAWING NO.:
CHECKED BY: ARP	S2402



KEY PLAN

DATE	NO.	REVISION
2025/01/23	2	ISSUED FOR TENDER
2024/08/23	1	ISSUED FOR ECA APPROVAL

THE DRAWINGS, ARRANGEMENTS, ANNOTATIONS AND GRAPHICAL PRESENTATIONS ON THIS DOCUMENT ARE THE PROPERTY OF EVB ENGINEERING WHO RETAINS OWNERSHIP AND AUTHORITY OF THIS DOCUMENT. IN ITS ENTIRETY THIS DOCUMENT IS AN INSTRUMENT OF SERVICE AND IS THE INTELLECTUAL AND PHYSICAL PROPERTY OF EVB ENGINEERING. AUTHORIZED USE OF THIS DRAWING IS GRANTED SOLELY FOR THE PURPOSE OF THIS SPECIFIC PROJECT AND LOCATION, AND NOT FOR CONSTRUCTION OR USE FOR ANY OTHER PROJECT. COPYRIGHT © 2024 EVB ENGINEERING.



CONSULTANT:
EVB ENGINEERING
 800 SECOND STREET WEST
 CORNWALL, ONTARIO CANADA, K6J 1H6
 TEL: 613-935-3775 | FAX: 613-935-6450
 WEBSITE: EVBengineering.com

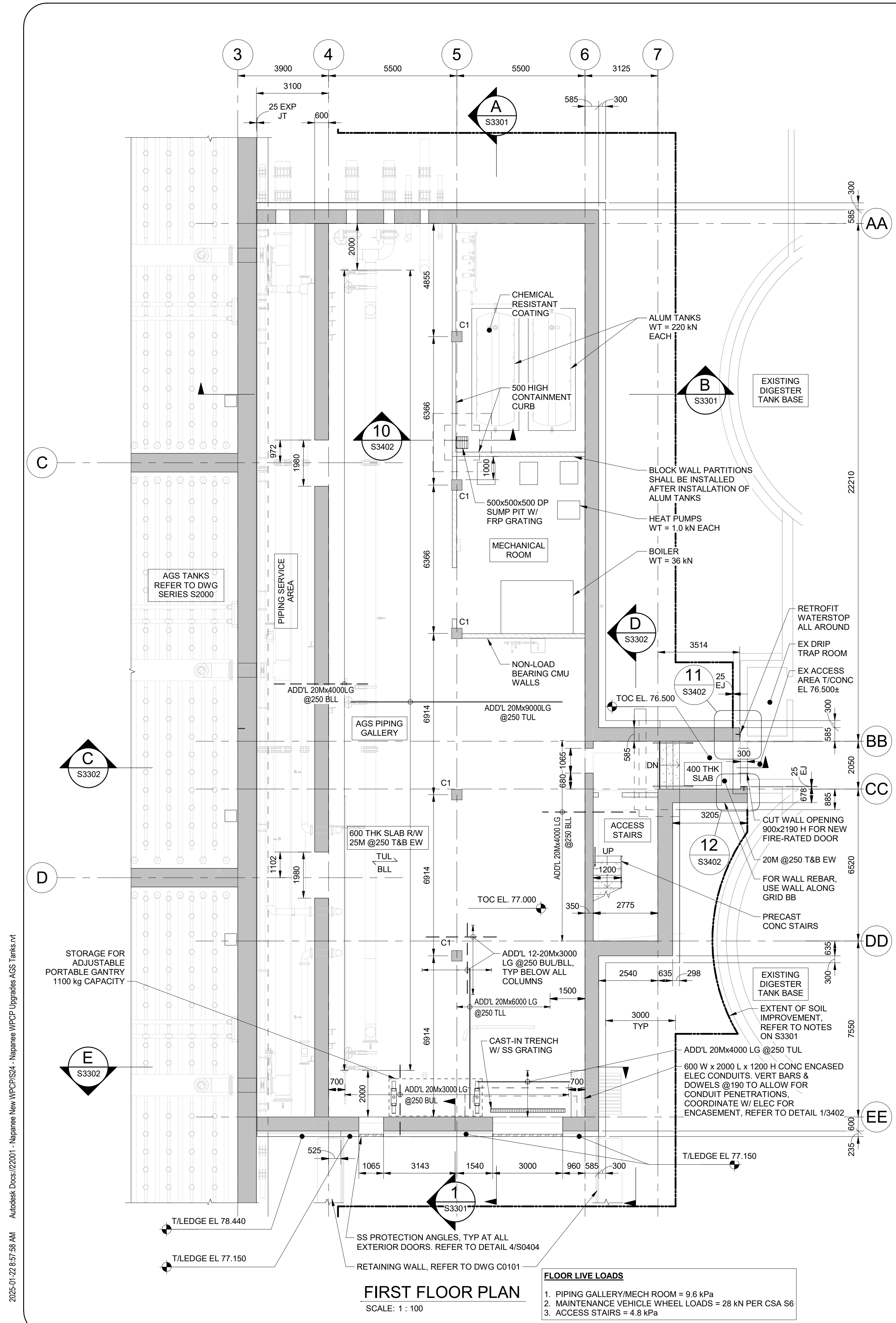
SUB-CONSULTANT:
CIMA+

CLIENT:
Greater Napanee
 GREATER FOR BAYT REGION

PROJECT:
NEW NAPANEE WPCP

TITLE:
NEW AGS TANKS - 3D VIEW

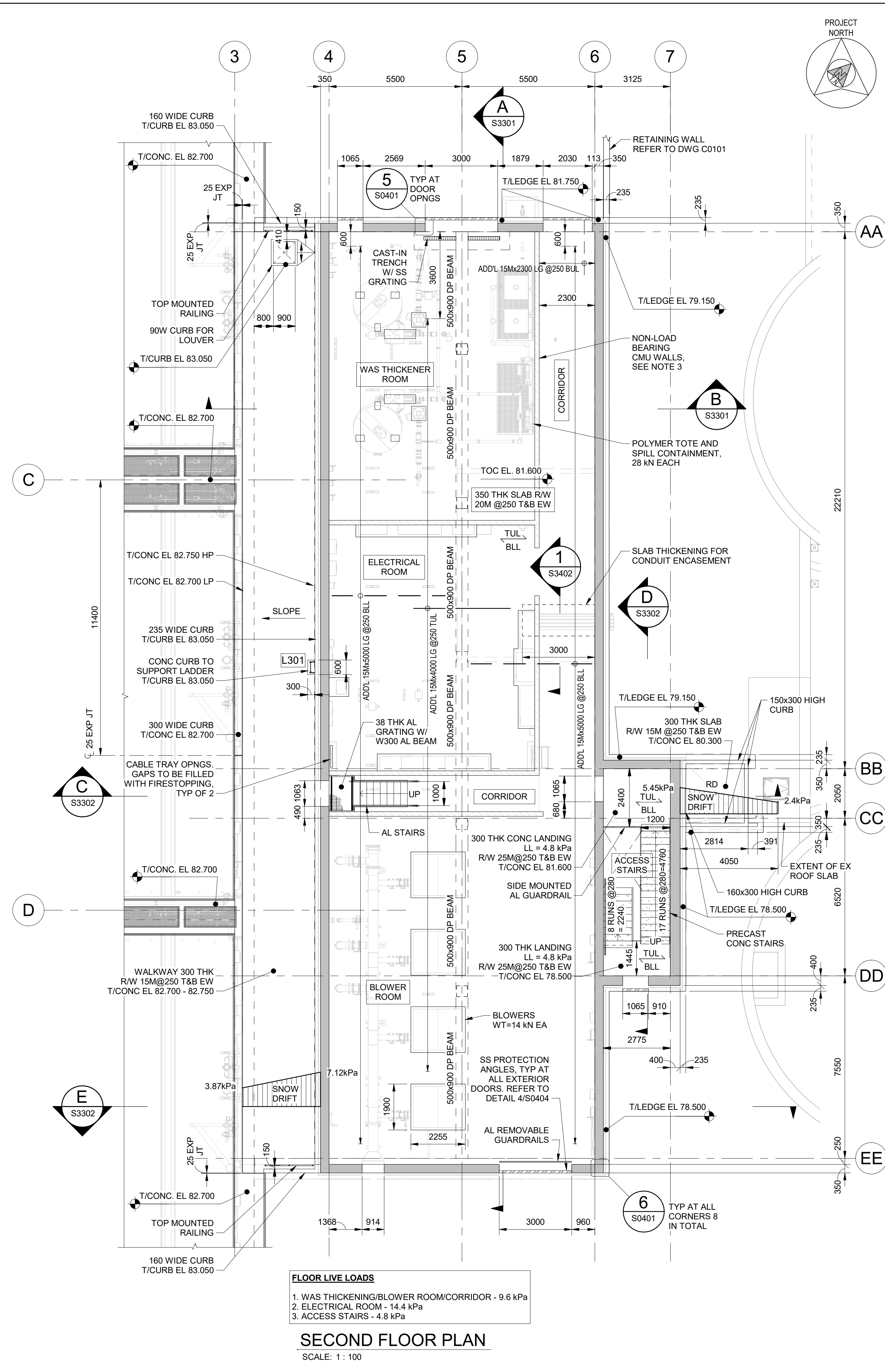
SCALE: 1 : 1000	JOB NO: 22001
DESIGNED BY: WC	DATE: 2025/01/23
DRAWN BY: LMKDS	DRAWING NO.:
CHECKED BY: ARP	S2701



FIRST FLOOR PLAN
SCALE: 1 : 100

FLOOR LIVE LOADS

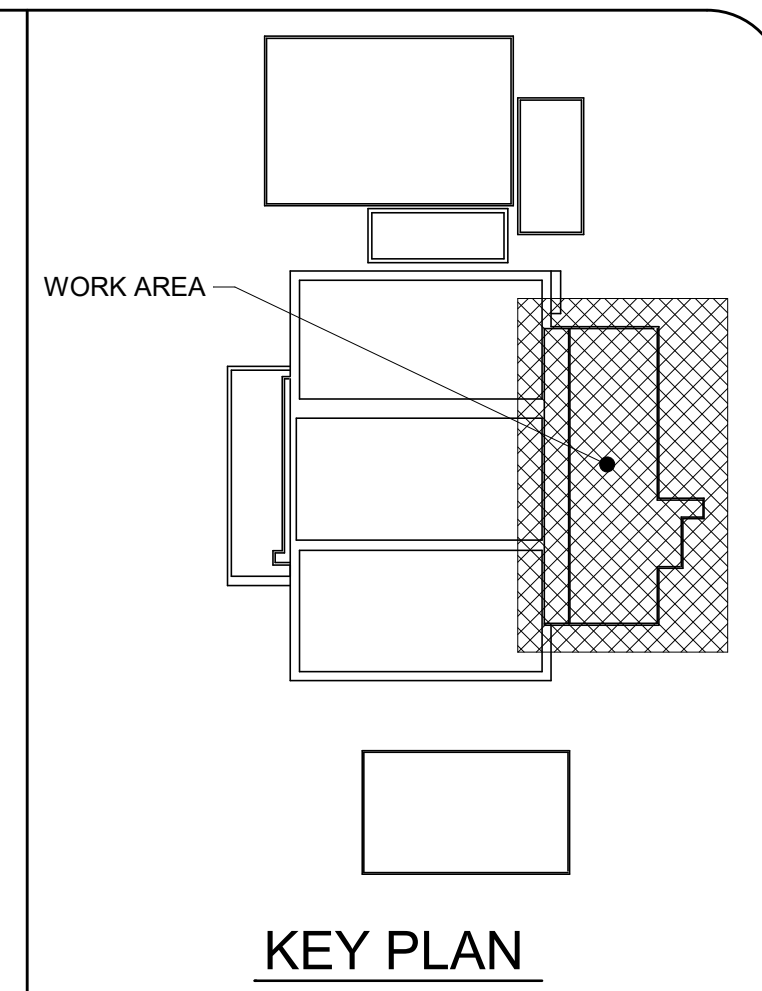
1. PIPING GALLERY/MECH ROOM = 9.6 kPa
2. MAINTENANCE VEHICLE WHEEL LOADS = 28 kN PER CSA S6
3. ACCESS STAIRS = 4.8 kPa



SECOND FLOOR PLAN
SCALE: 1 : 100

FLOOR LIVE LOADS

1. WAS THICKENING/BLOWER ROOM/CORRIDOR - 9.6 kPa
2. ELECTRICAL ROOM - 14.4 kPa
3. ACCESS STAIRS - 4.8 kPa



- NOTES:**
1. ALL FLOOR MOUNTED EQUIPMENT SHALL BE PROVIDED WITH MIN. 100 THK HOUSEKEEPING PAD. COORDINATE WITH SUPPLIERS FOR FINAL SIZE AND THICKNESS. REFER TO DETAIL 6/S0402
 2. ALL FLOOR OPENING LOCATIONS AND SIZES SHALL BE COORDINATED WITH ALL SUB-TRADES. PROVIDE SLEEVES AS NECESSARY FOR CASTING INTO FLOOR. ADDITIONAL BARS SHALL BE REFERRED TO DWG S0401.
 3. PROVIDE BLOCK LINTELS FOR DOOR OPENINGS AND ALL MECHANICAL AND ELECTRICAL PENETRATIONS. REFER TO DWG S0405.
 4. FOR ADDITIONAL WALL REBAR, REFER TO DWG S3302.
 5. PIPING RUNNING HORIZONTALLY WITHIN THE STRUCTURAL SLAB IS NOT PERMITTED.

DATE	NO.	REVISION
2025/01/23	2	ISSUED FOR TENDER
2024/08/23	1	ISSUED FOR ECA APPROVAL



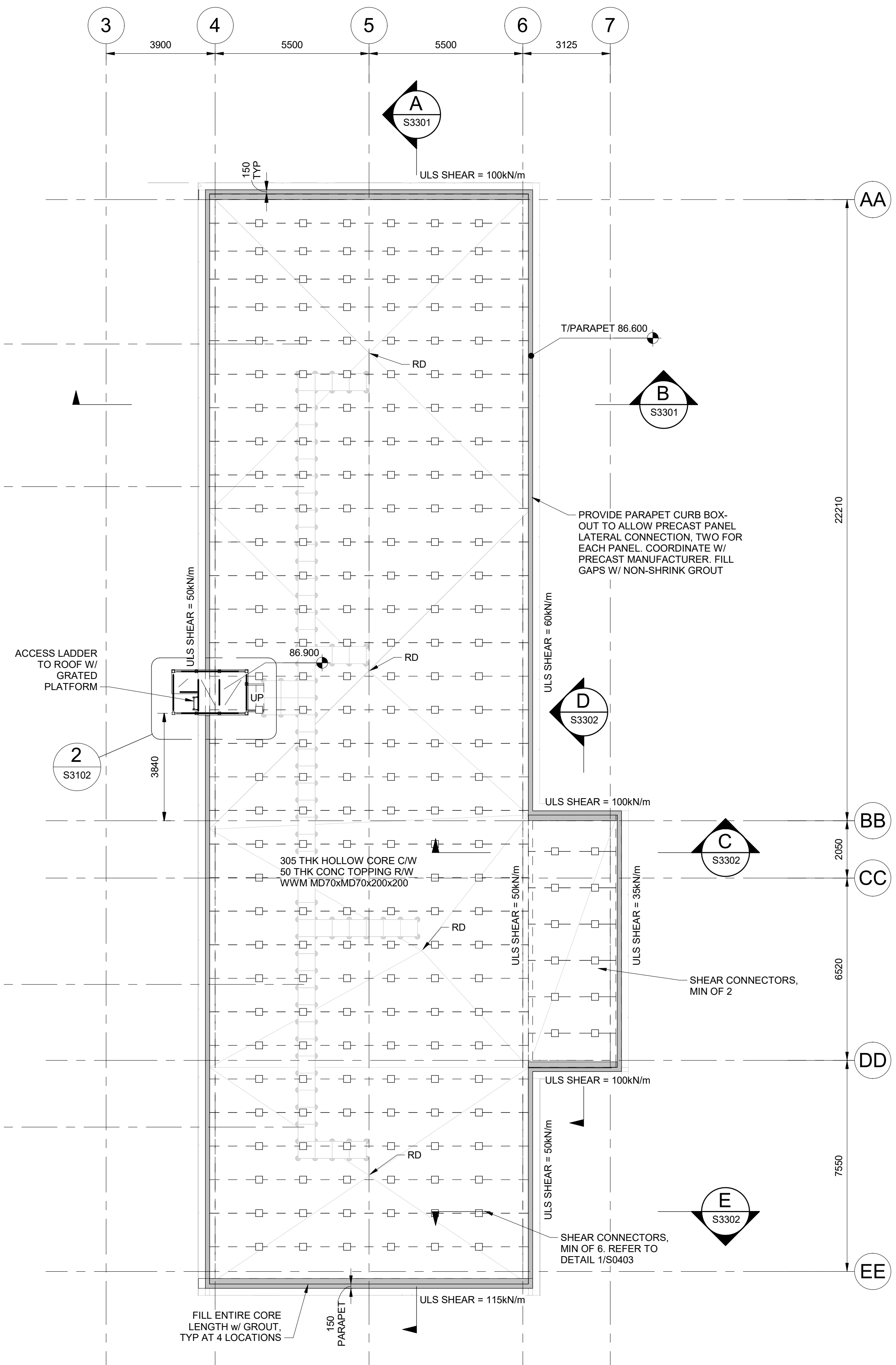
CONSULTANT:
EVB ENGINEERING
800 SECOND STREET WEST
CORNWALL, ONTARIO CANADA, K6J 1H6
TEL: 613-935-3775 | FAX: 613-935-6450
WEBSITE: EVBengineering.com

SUB-CONSULTANT:
CIMA+
CLIENT:
Greater Napanee
PROJECT:
NEW NAPANEE WPCP

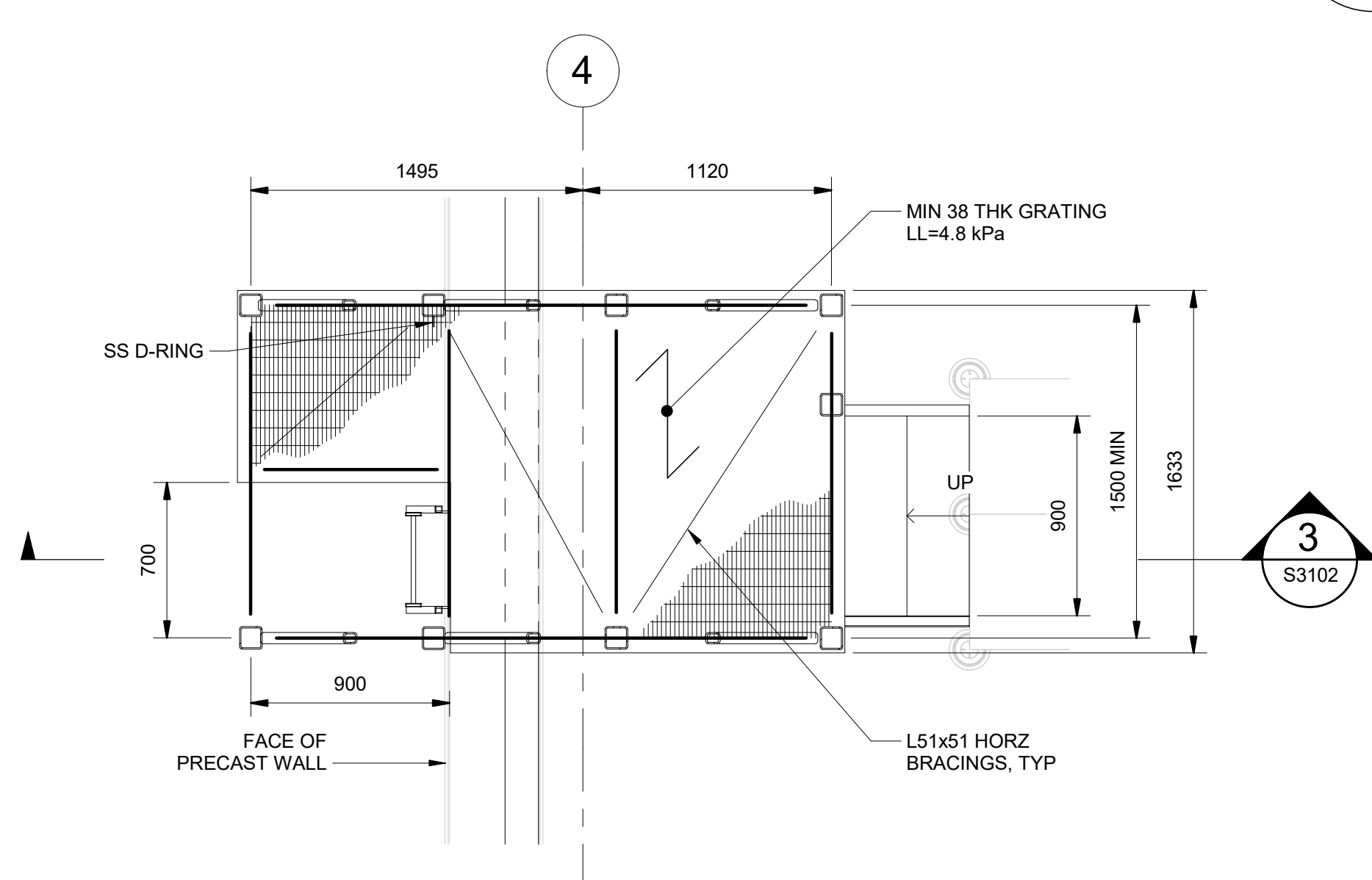
TITLE:
**NEW OPERATIONS BUILDING
FIRST AND SECOND FLOOR
PLANS**

SCALE: As indicated	JOB NO: 22001
DESIGNED BY: JUW/C	DATE: 2025/01/23
DRAWN BY: KDS	DRAWING NO. S3101
CHECKED BY: WC	

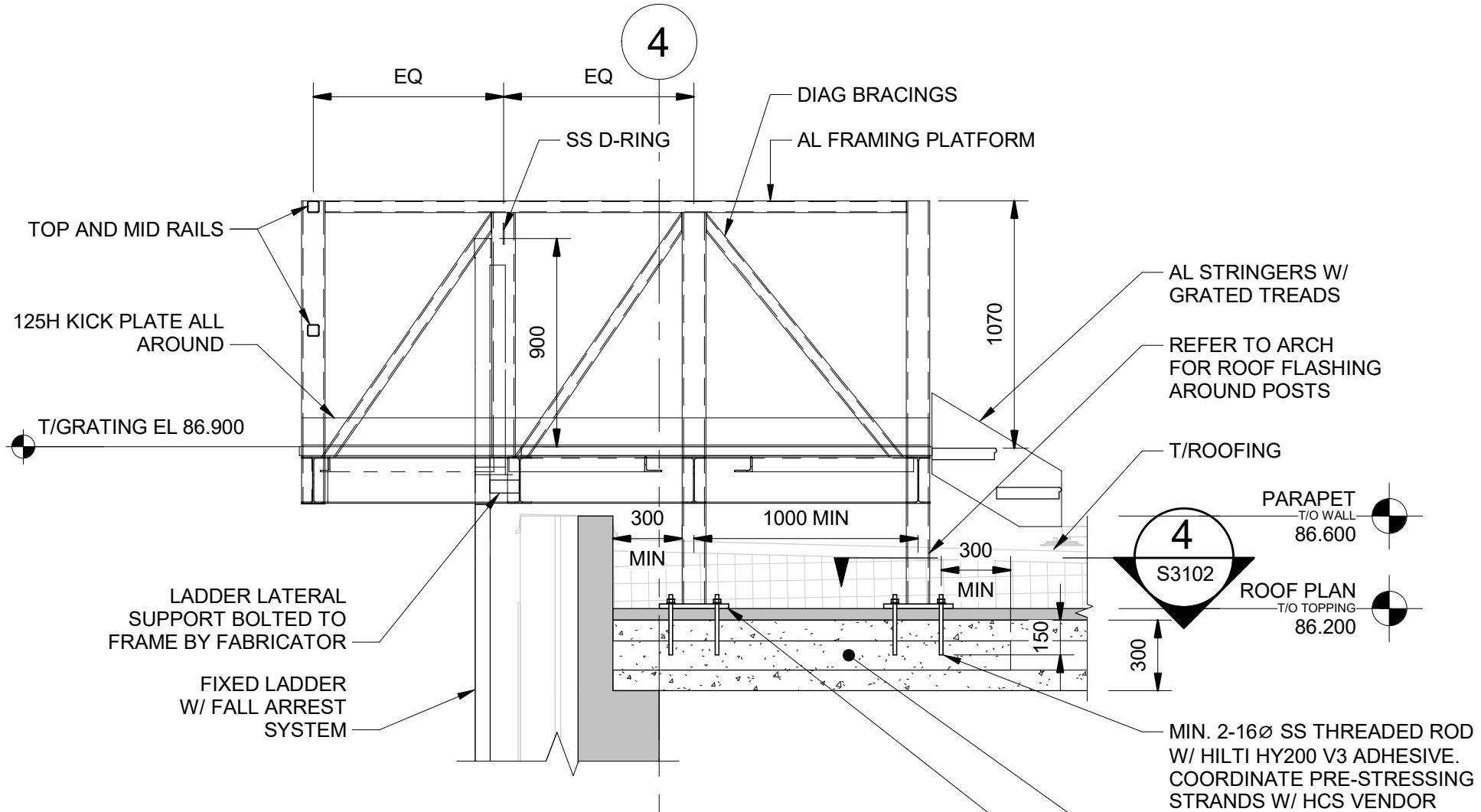
2025-01-22 8:57:59 AM Autodesk Docs://22001 - Napanee New WPCP/S24 - Napanee WPCP Upgrades AGS Tanks.rvt



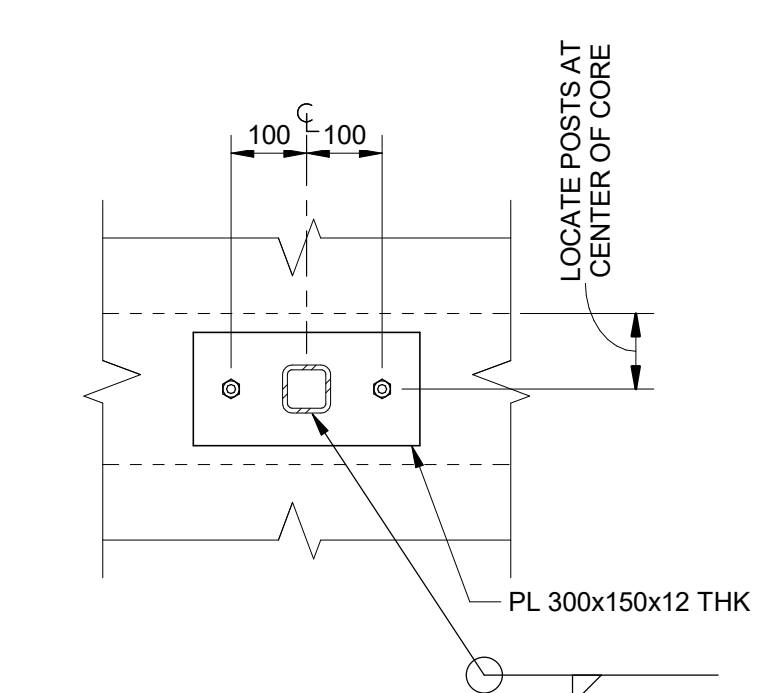
ROOF PLAN
SCALE: 1 : 100



2 ENLARGED PLATFORM PLAN
S3102 SCALE: 1 : 25



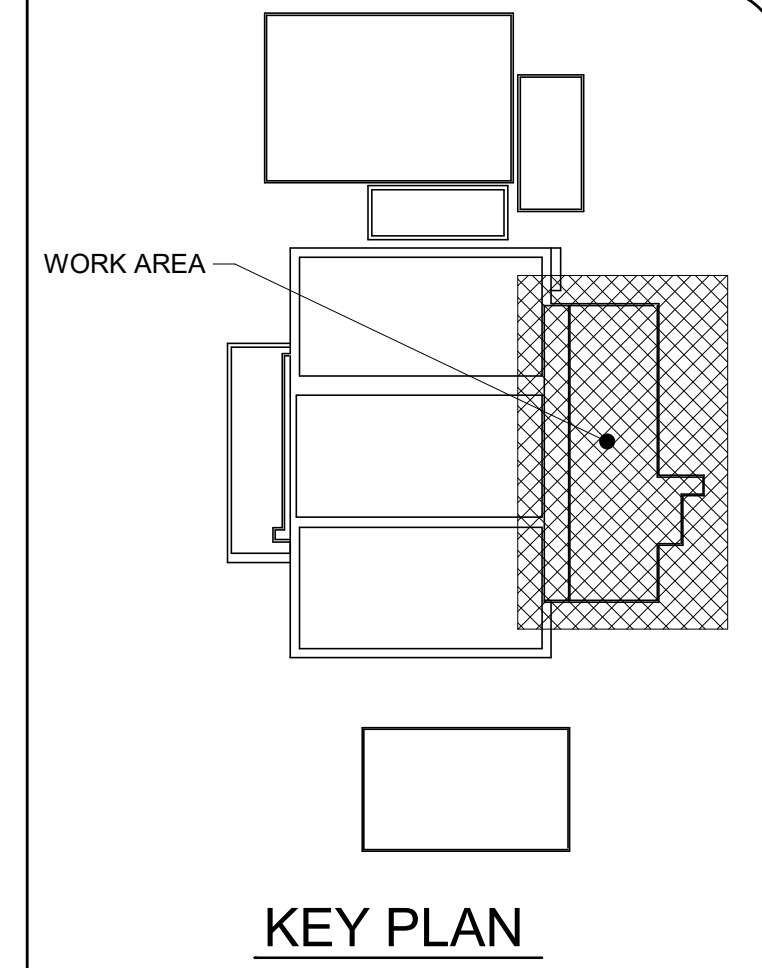
3 PLATFORM SECTION
S3102 SCALE: 1 : 25



4 BASE POST DETAIL
S3102 SCALE: 1 : 10

ROOF DESIGN LOADS

DEAD LOADS	
HOLLOWCORE SLAB	= 3.55 kPa
CONCRETE TOPPING	= 1.2 kPa
ROOFING	= 0.50 kPa
MECH & ELEC ALLOWANCE	= 0.50 kPa
TOTAL DL	= 5.75 kPa
SNOW LOAD (WITH IMPORTANCE FACTORS)	
SLS = 1.73 kPa	
ULS = 2.40 kPa	
RAIN LOADS	
HIGH POINT = 0.60 kPa	
LOW POINT = 2.04 kPa	
DEFLECTION LIMIT	
SNOW/LL = SPAN/360	
TOTAL LOAD = SPAN/240	
DIAPHRAGM FORCES (ULS)	REFER TO PLAN



2025/01/23	2	ISSUED FOR TENDER
2024/08/23	1	ISSUED FOR ECA APPROVAL
DATE	NO.	REVISION

THE DRAWINGS, ARRANGEMENTS, ANNOTATIONS AND GRAPHICAL PRESENTATIONS ON THIS DOCUMENT ARE THE PROPERTY OF EVB ENGINEERING WHO RETAINS OWNERSHIP AND AUTHORSHIP OF THIS DOCUMENT. IN ITS ENTIRETY THIS DOCUMENT IS AN INSTRUMENT OF SERVICE AND IS THE INTELLECTUAL AND PHYSICAL PROPERTY OF EVB ENGINEERING. AUTHORIZED USE OF THIS DRAWING IS GRANTED SOLELY FOR THE PURPOSE OF THIS SPECIFIC PROJECT AND LOCATION, AND NOT FOR CONSTRUCTION OR USE FOR ANY OTHER PROJECT. COPYRIGHT © 2024 EVB ENGINEERING.



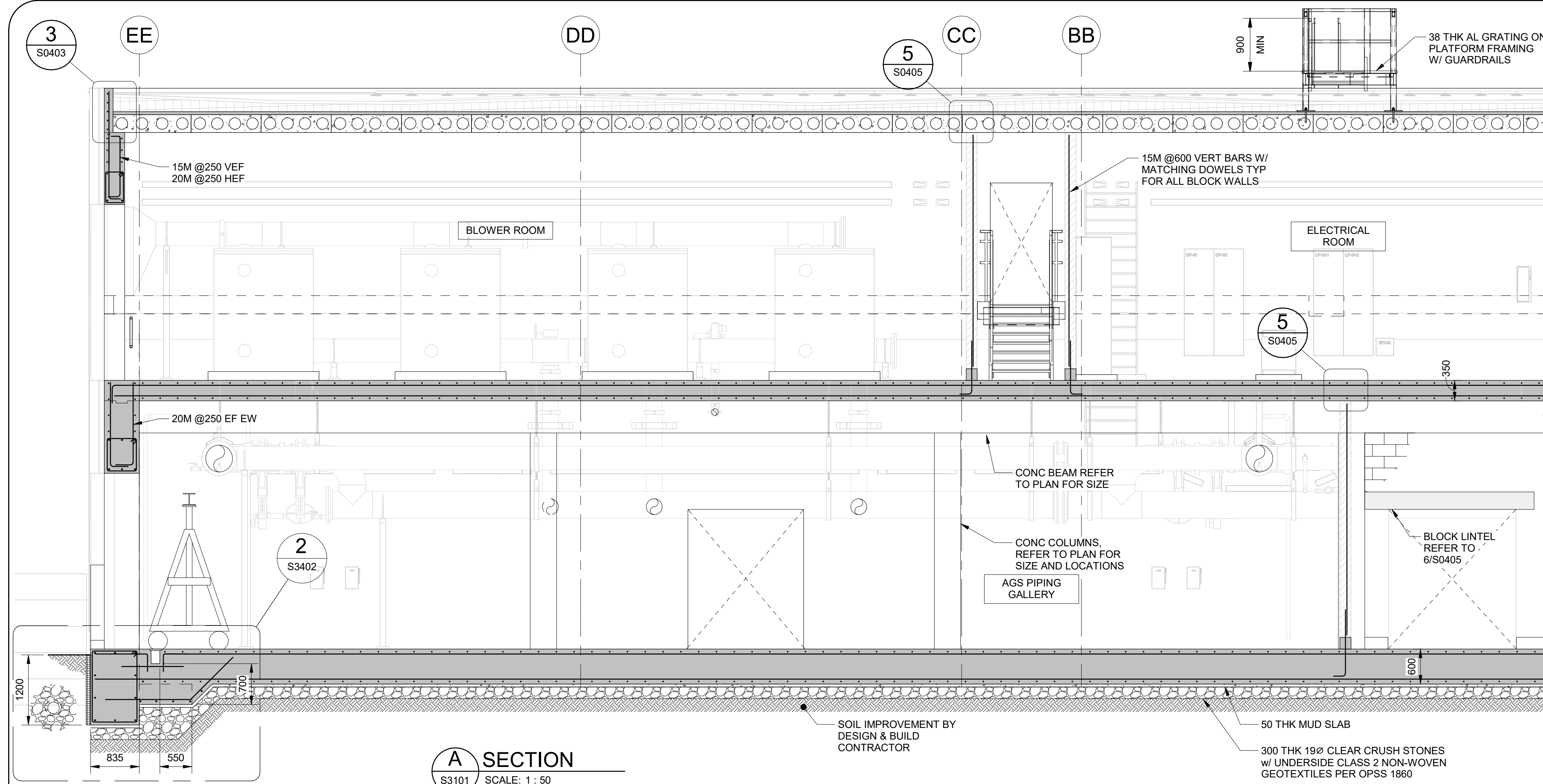
CONSULTANT:
EVB ENGINEERING
 800 SECOND STREET WEST
 CORNWALL, ONTARIO CANADA, K6J 1H6
 TEL: 613-935-3775 | FAX: 613-935-6450
 WEBSITE: EVBengineering.com



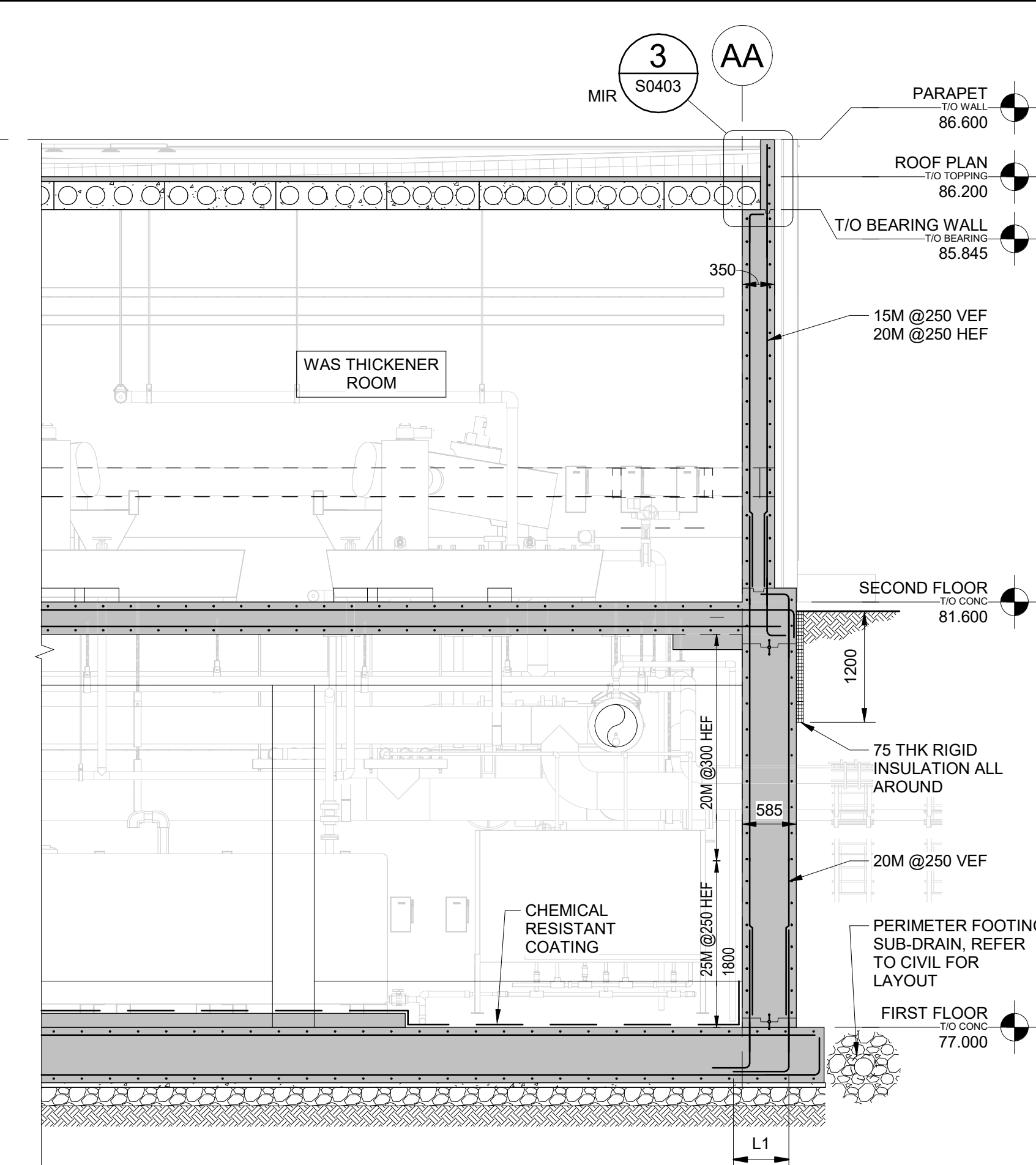
PROJECT:
NEW NAPANEE WPCP

TITLE:
NEW OPERATIONS BUILDING ROOF PLAN

SCALE: As indicated	JOB NO: 22001
DESIGNED BY: JU/WC	DATE: 2025/01/23
DRAWN BY: KDS	DRAWING NO.:
CHECKED BY: WC	S3102

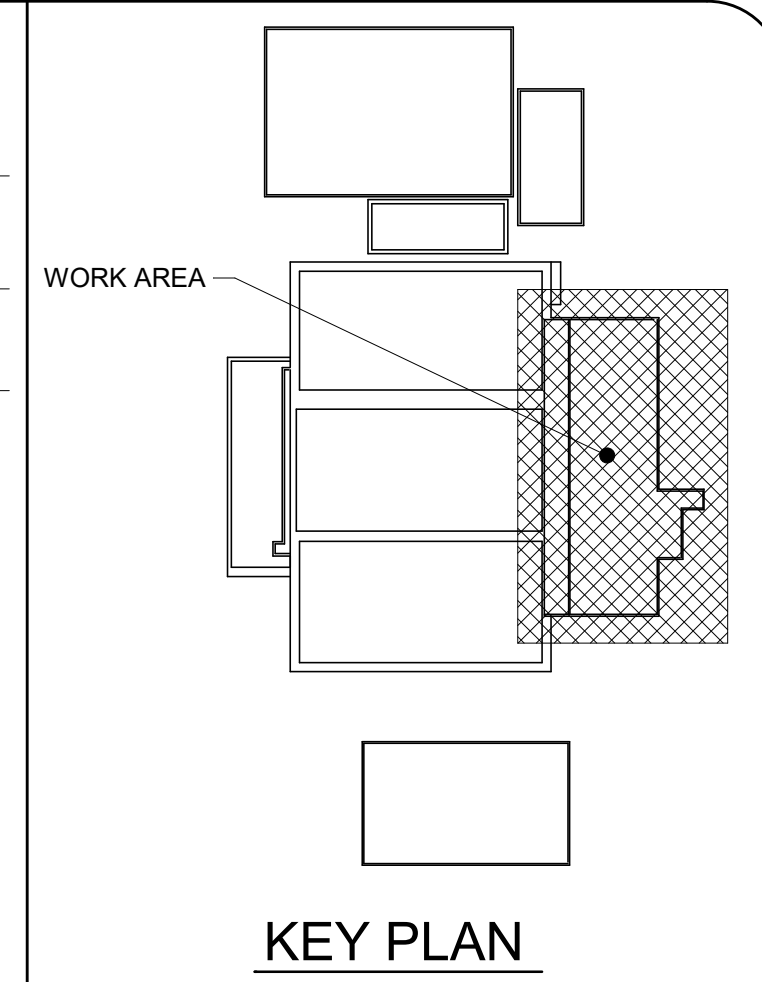


A SECTION
S3101 SCALE: 1 : 50



B SECTION
S3101 SCALE: 1 : 50

1 CURB AT GRADE BEAM
S3101 SCALE: 1 : 25



- KEY PLAN**
- SOIL IMPROVEMENT DESIGN NOTES:
- PERFORM SOIL IMPROVEMENT WITHIN THE UPPER CLAY LAYERS USING RIGID INCLUSION COLUMNS TECHNIQUE. ALL ELEMENTS SHALL BE INSTALLED ON TOP OF THE SOUND BEDROCK.
 - THE IMPROVED SOILS SHALL ACHIEVE THE FOLLOWING DESIGN CRITERIA:
 - MINIMUM ALLOWABLE BEARING PRESSURE: 150 kPa SLS, 225 kPa ULS
 - MAXIMUM TOTAL LONG-TERM SETTLEMENT: 25mm
 - MAXIMUM DIFFERENTIAL SETTLEMENT: 12mm
 - MINIMUM SOIL SUBGRADE MODULUS OF 6000 kPa/m
 - THE INSTALLATION SHALL BE CERTIFIED BY THE DESIGN AND BUILD SOIL IMPROVEMENT CONTRACTOR'S PROFESSIONAL ENGINEER.

DATE	NO.	REVISION
2025/01/23	2	ISSUED FOR TENDER
2024/08/23	1	ISSUED FOR ECA APPROVAL

THE DRAWINGS, ARRANGEMENTS, ANNOTATIONS AND GRAPHICAL PRESENTATIONS ON THIS DOCUMENT ARE THE PROPERTY OF EVB ENGINEERING WHO RETAINS OWNERSHIP AND AUTHORITY OF THIS DOCUMENT. IN ITS ENTIRETY THIS DOCUMENT IS AN INSTRUMENT OF SERVICE AND IS THE INTELLECTUAL AND PHYSICAL PROPERTY OF EVB ENGINEERING. AUTHORIZED USE OF THIS DRAWING IS GRANTED SOLELY FOR THE PURPOSE OF THIS SPECIFIC PROJECT AND LOCATION, AND NOT FOR CONSTRUCTION OR USE FOR ANY OTHER PROJECT. COPYRIGHT © 2024 EVB ENGINEERING.



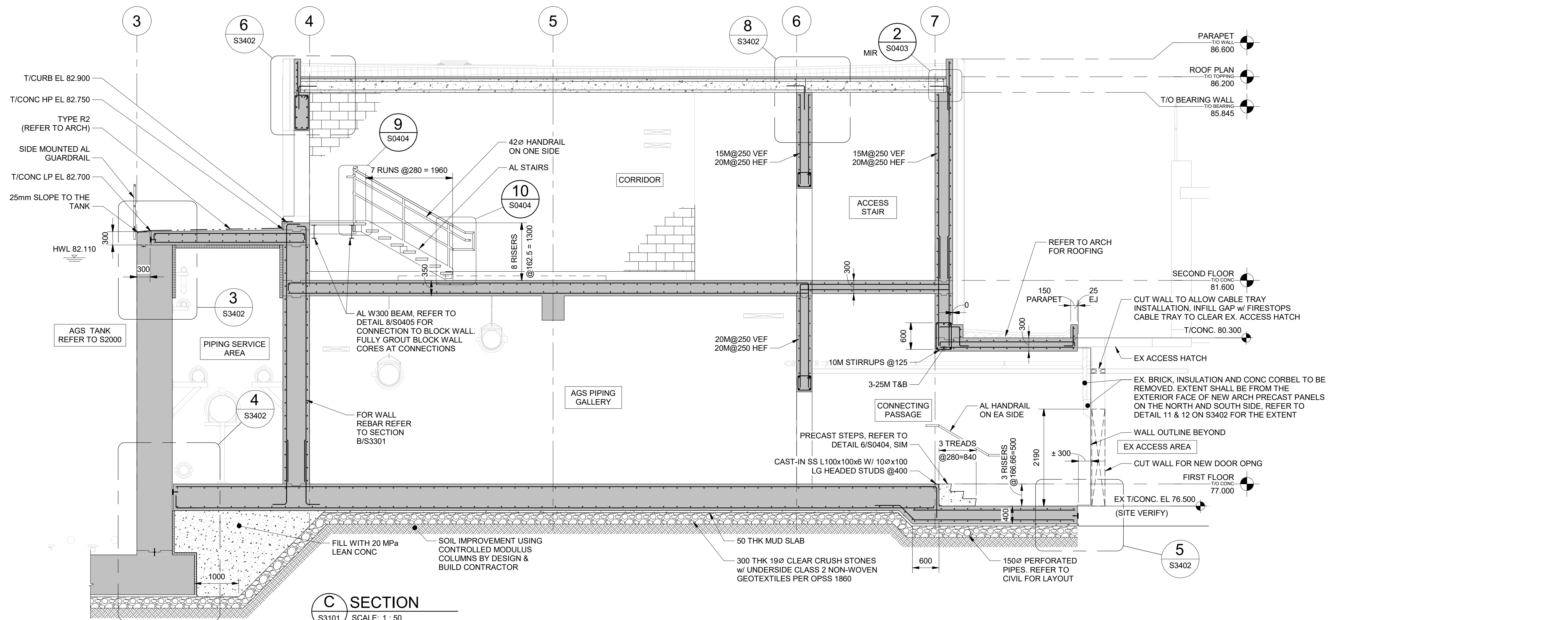
CONSULTANT:
 EVB ENGINEERING
 800 SECOND STREET WEST
 CORNWALL, ONTARIO CANADA, K6J 1H6
 TEL: 613-935-3775 | FAX: 613-935-6450
 WEBSITE: EVBengineering.com

SUB-CONSULTANT:
 CIM+
 CLIENT:
 Greater Napanee
 (GRANDS FOR WATER SOLUTIONS)

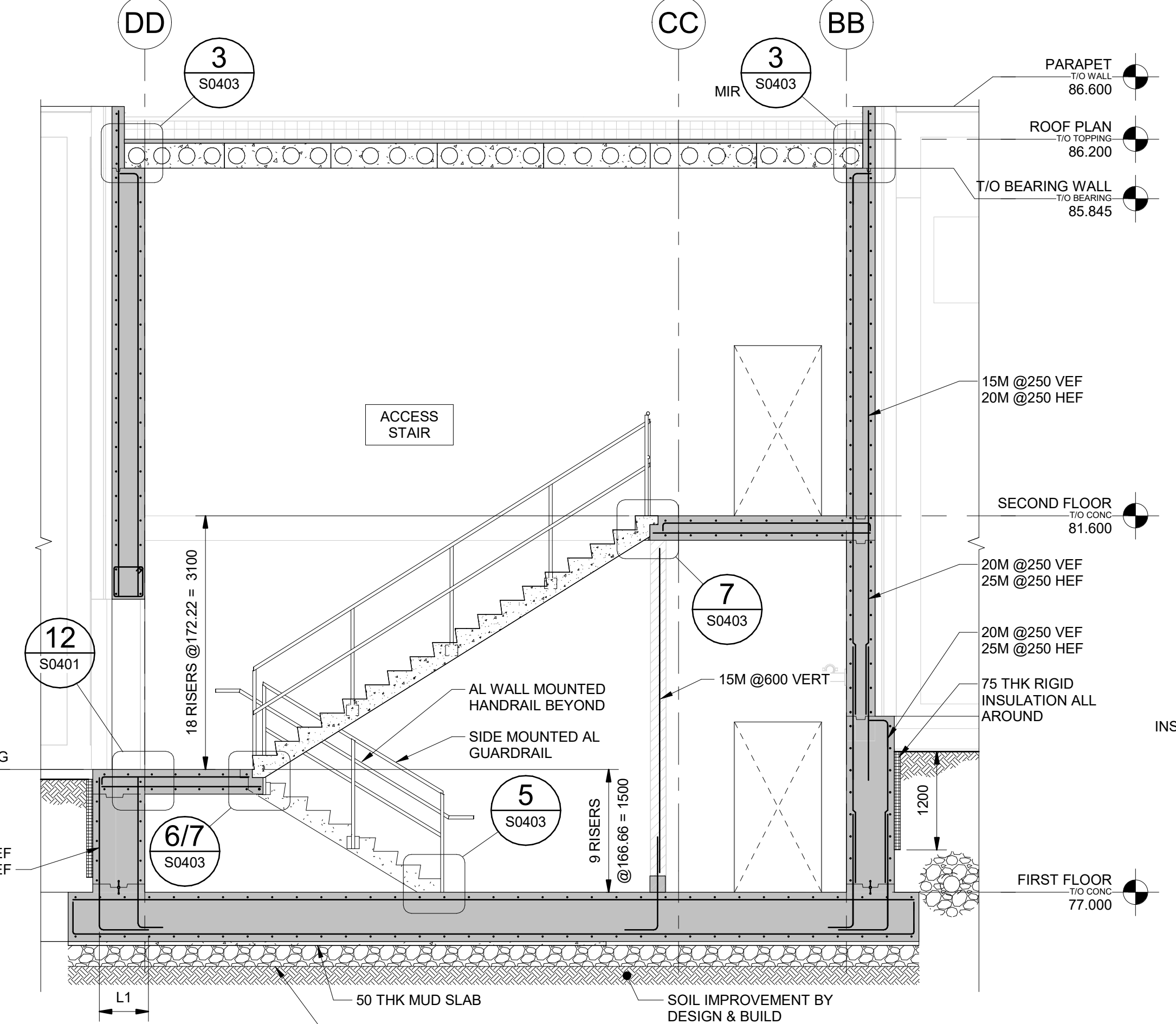
PROJECT:
NEW NAPANEE WPCP
 TITLE:
NEW OPERATIONS BUILDING SECTIONS (SHEET 1)

SCALE: As indicated	JOB NO: 22001
DESIGNED BY: JUW/C	DATE: 2025/01/23
DRAWN BY: KDS	DRAWING NO. S3301
CHECKED BY: WC	

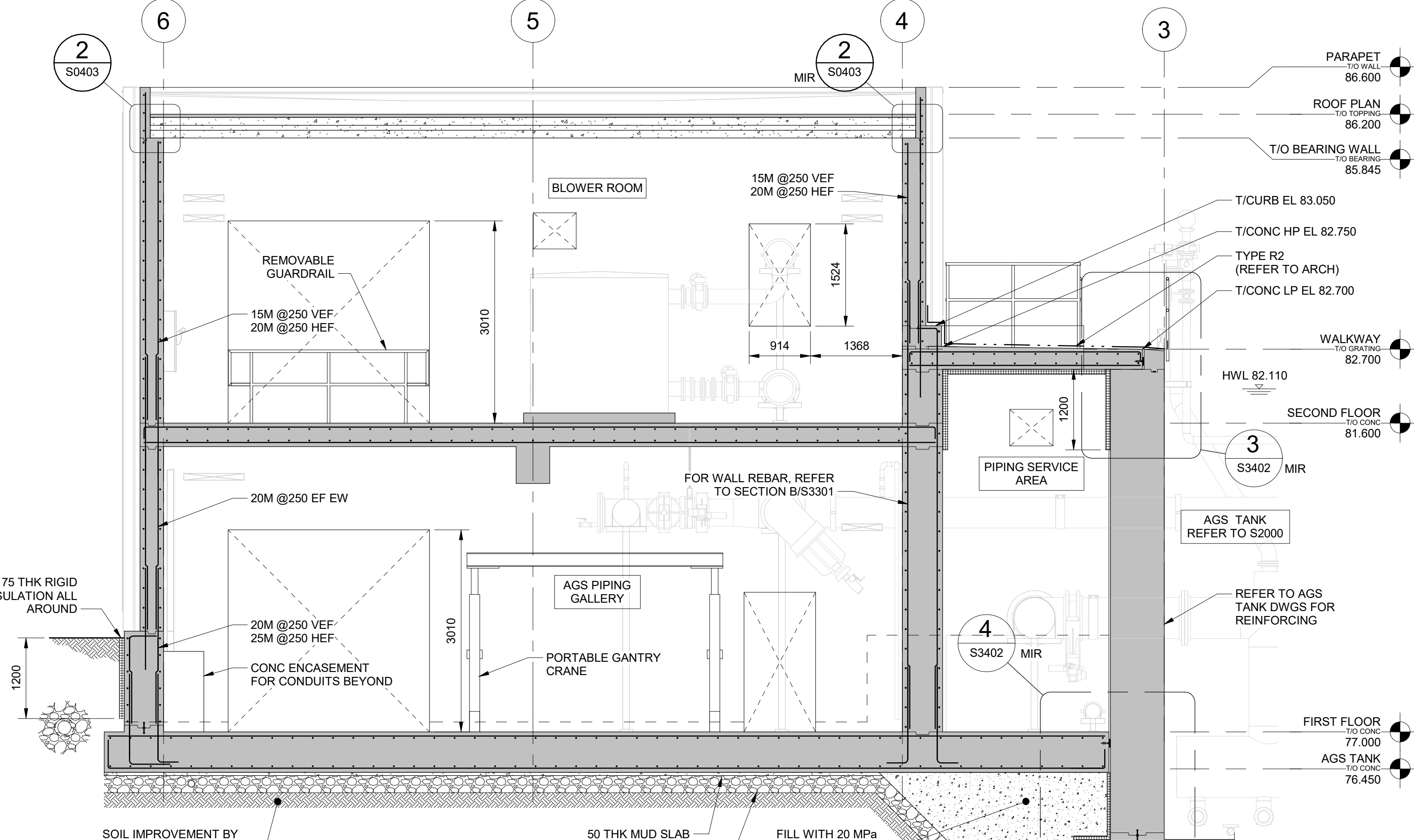
2025-01-22 8:58:10 AM Autodesk Docs: I22001 - Napanee New WPCP/S24 - Napanee WPCP Upgrades AGS Tanks.rvt



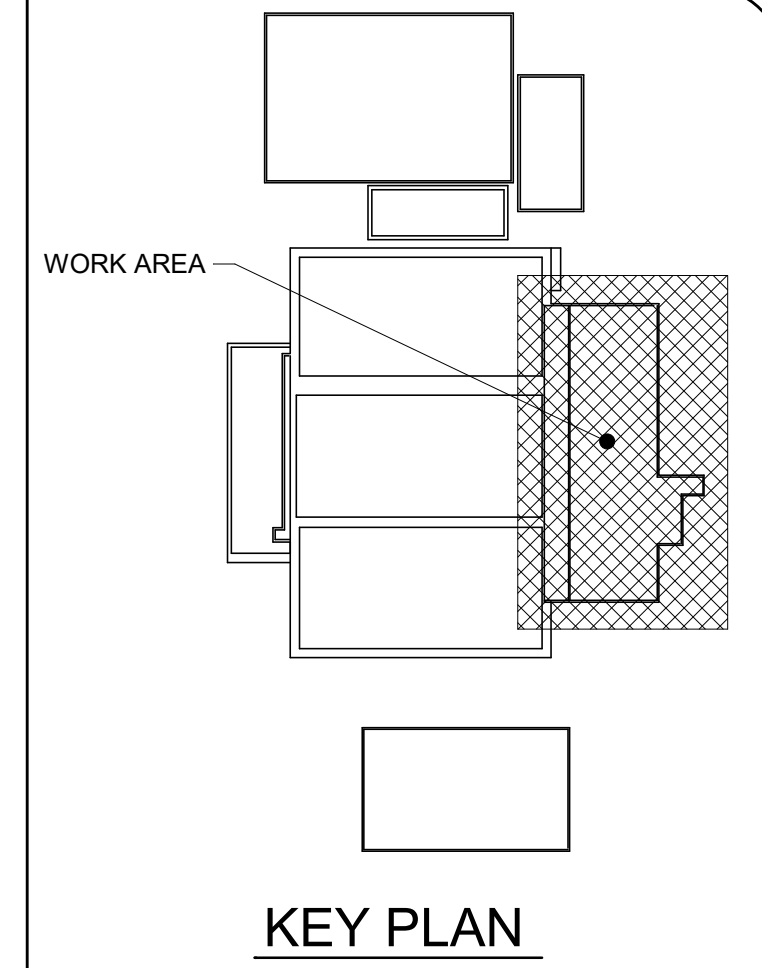
C SECTION
S3101 SCALE: 1 : 50



D SECTION
S3101 SCALE: 1 : 50



E SECTION
S3101 SCALE: 1 : 50



DATE	NO.	REVISION
2025/01/23	2	ISSUED FOR TENDER
2024/08/23	1	ISSUED FOR ECA APPROVAL

THE DRAWINGS, ARRANGEMENTS, ANNOTATIONS AND GRAPHICAL PRESENTATIONS ON THIS DOCUMENT ARE THE PROPERTY OF EVB ENGINEERING WHO RETAINS OWNERSHIP AND AUTHORSHIP OF THIS DOCUMENT. IN ITS ENTIRETY THIS DOCUMENT IS AN INSTRUMENT OF SERVICE AND IS THE INTELLECTUAL AND PHYSICAL PROPERTY OF EVB ENGINEERING. AUTHORIZED USE OF THIS DRAWING IS GRANTED SOLELY FOR THE PURPOSE OF THIS SPECIFIC PROJECT AND LOCATION, AND NOT FOR CONSTRUCTION OR USE FOR ANY OTHER PROJECT.



CONSULTANT:
EVB ENGINEERING
 800 SECOND STREET WEST
 CORNWALL, ONTARIO CANADA, K6J 1H6
 TEL: 613-935-3775 | FAX: 613-935-6450
 WEBSITE: EVBengineering.com

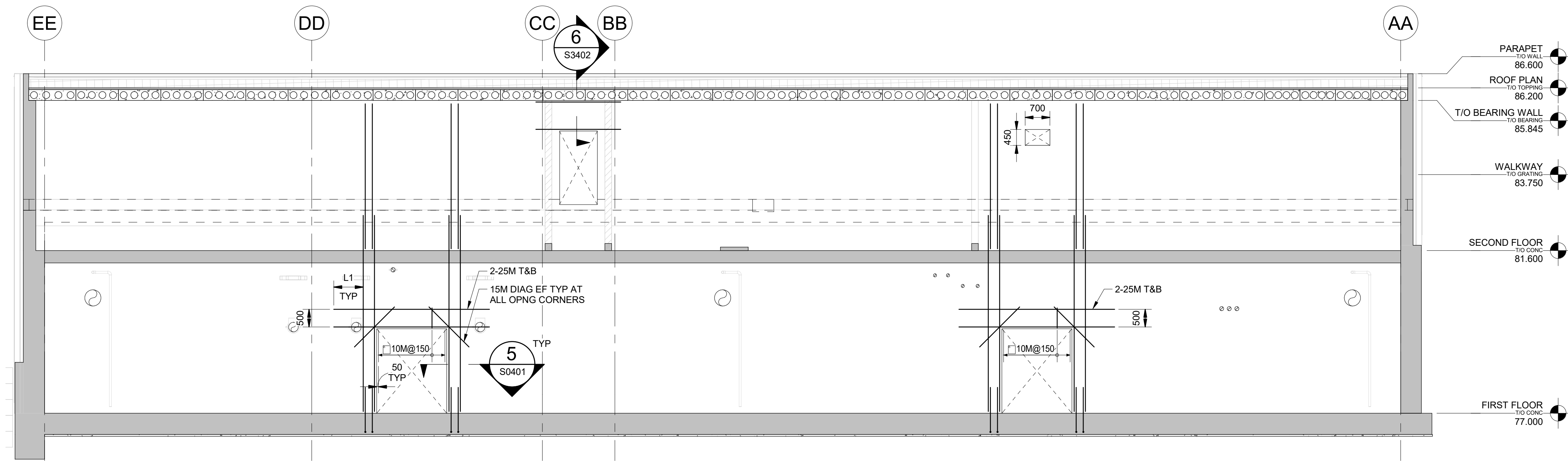
SUB-CONSULTANT:
CIMA+

CLIENT:
Greater Napanee
 (GRANDS FOR MANY BUSINESS)

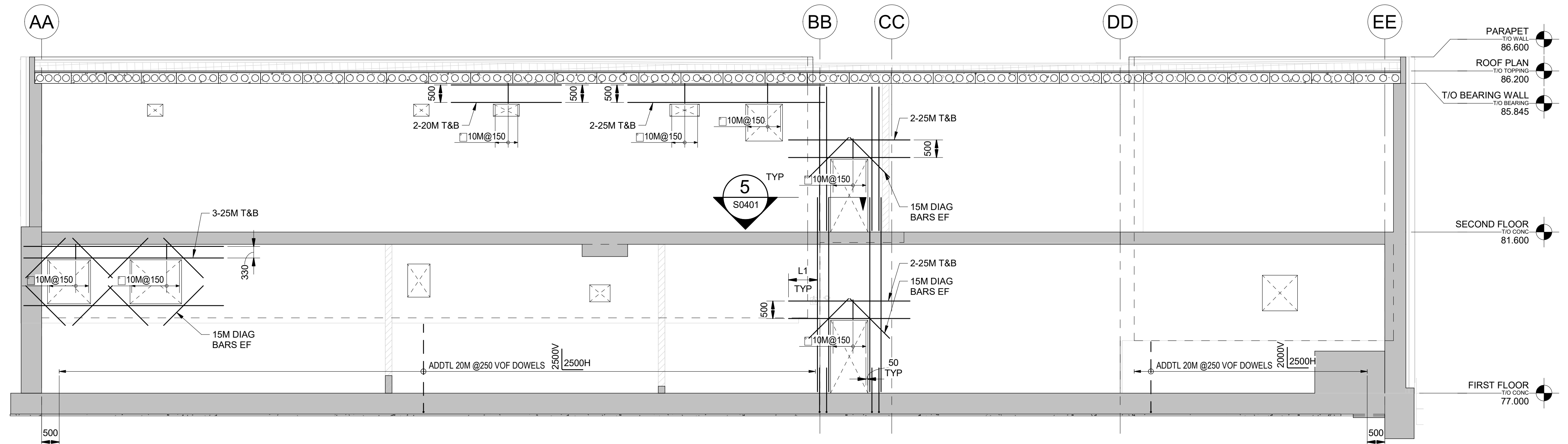
PROJECT:
NEW NAPANEE WPCP
 TITLE:
NEW OPERATIONS BUILDING SECTIONS (SHEET 2)

SCALE: As indicated	JOB NO: 22001
DESIGNED BY: JUWC	DATE: 2025/01/23
DRAWN BY: KDS	DRAWING NO. S3302
CHECKED BY: WC	

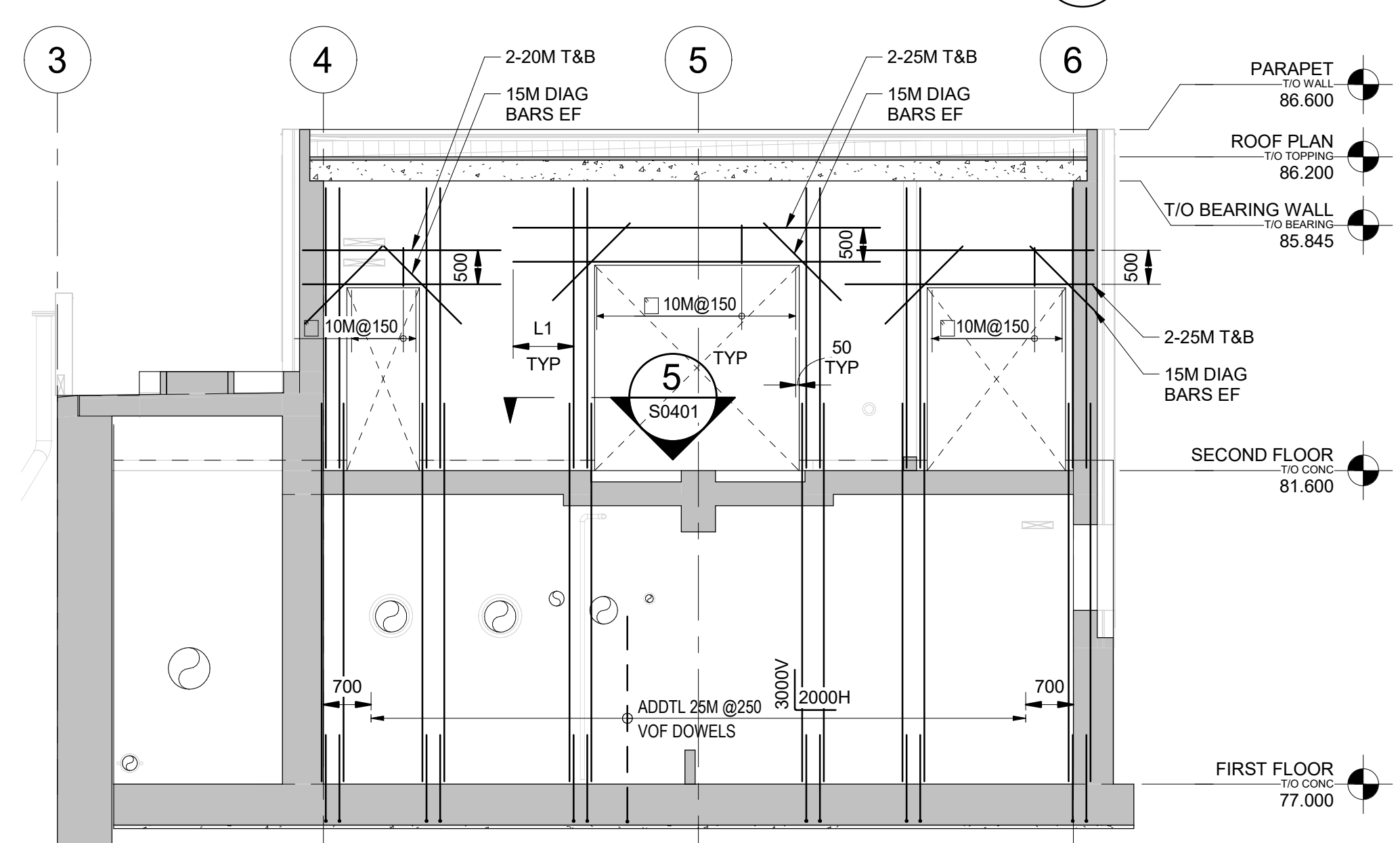
2025-01-22 8:58:13 AM Autodesk Docs/22001 - Napanee New WPCP/S24 - Napanee WPCP Upgrades AGS Tanks.v1



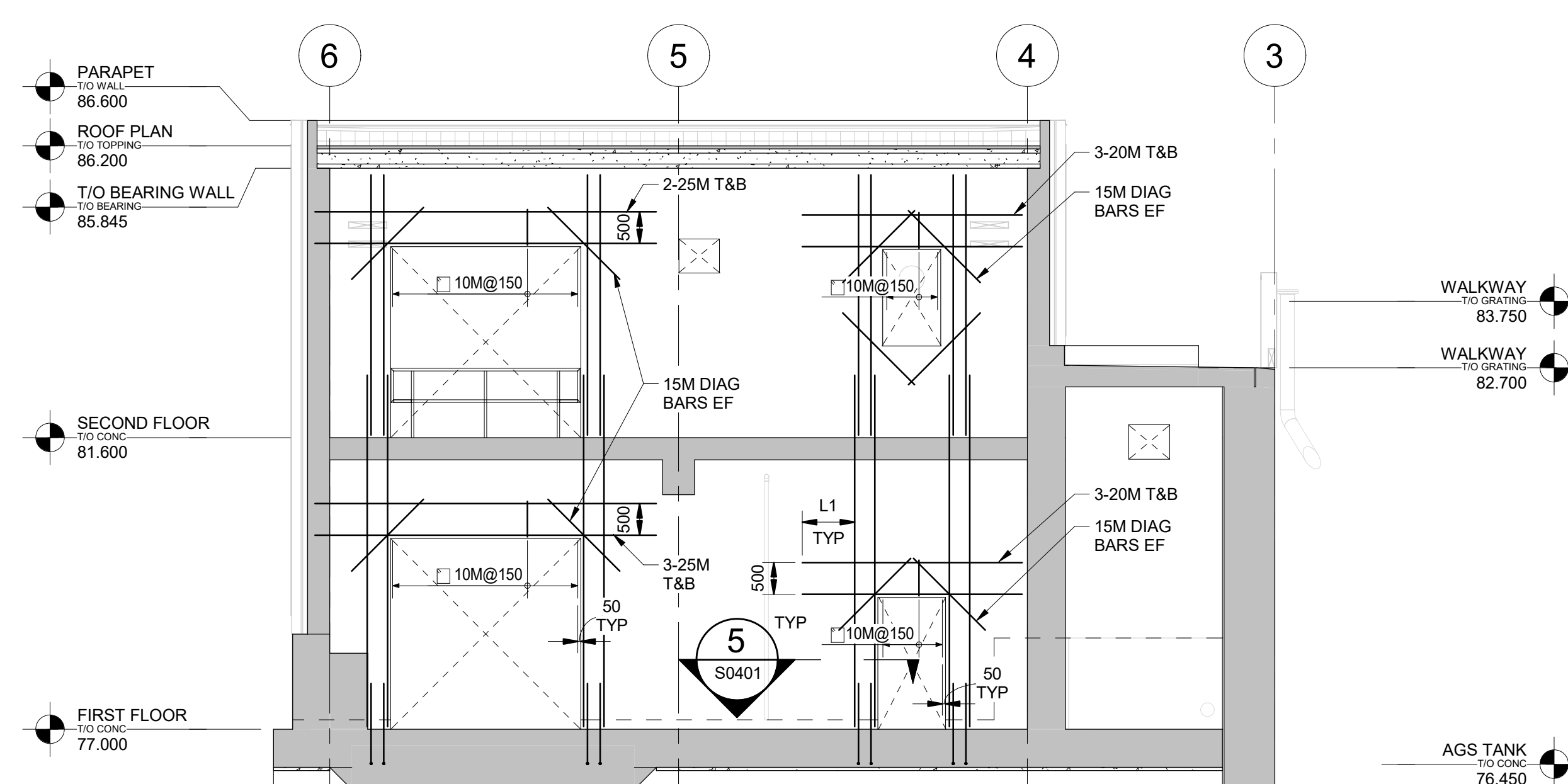
1 WALL ELEVATION ALONG GRID 4
SCALE: 1 : 75



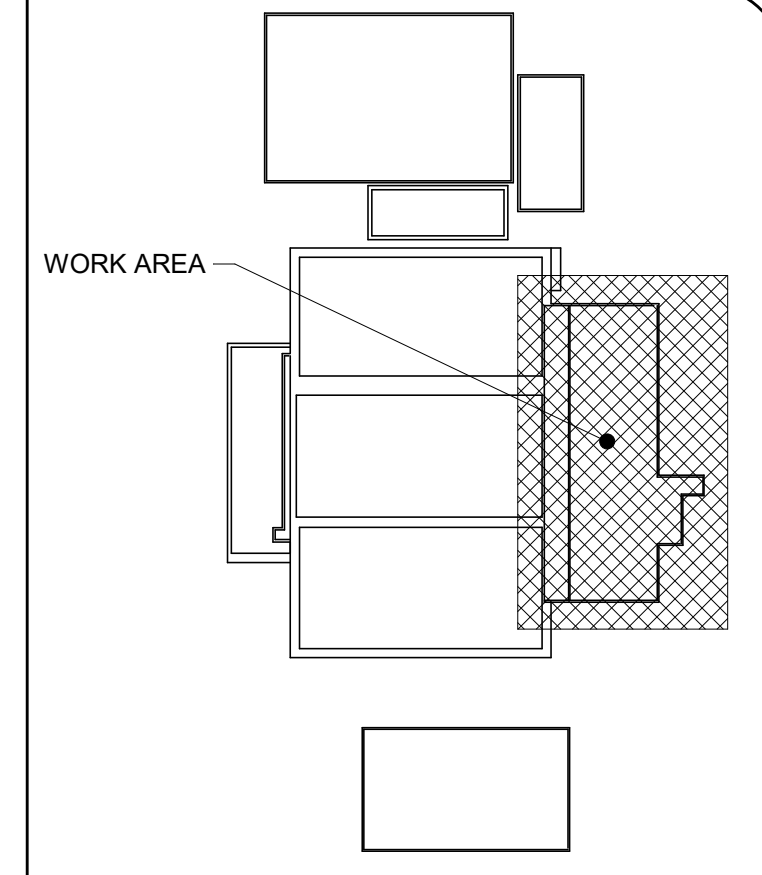
2 WALL ELEVATION ALONG GRID 6
SCALE: 1 : 75



3 WALL ELEVATION ALONG GRID AA
SCALE: 1 : 75



4 WALL ELEVATION ALONG GRID EE
SCALE: 1 : 75

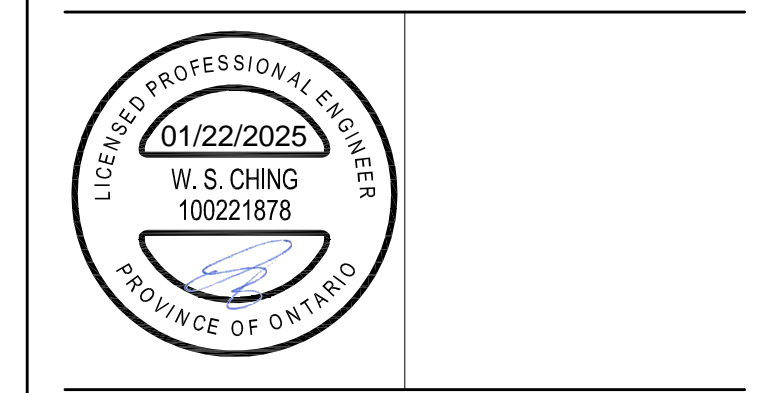


KEY PLAN

- NOTES:
- ALL PENETRATION SIZES AND LOCATIONS SHALL BE COORDINATED WITH PROCESS, MECHANICAL AND ELECTRICAL SUB-TRADES.
 - DOOR OPENINGS SHALL BE COORDINATED WITH THE SUPPLIER.
 - FOR RECTANGULAR OPENINGS, REFER TO DETAIL 10/S0401 FOR ADDTL BARS.
 - FOR CIRCULAR OPENINGS, REFER TO DETAIL 11/S0401.

DATE	NO.	REVISION
2025/01/23	2	ISSUED FOR TENDER
2024/08/23	1	ISSUED FOR ECA APPROVAL

THE DRAWINGS, ARRANGEMENTS, ANNOTATIONS AND GRAPHICAL PRESENTATIONS ON THIS DOCUMENT ARE THE PROPERTY OF EVB ENGINEERING WHO RETAINS OWNERSHIP AND AUTHORITY OF THIS DOCUMENT. IN ITS ENTIRETY THIS DOCUMENT IS AN INSTRUMENT OF SERVICE AND IS THE INTELLECTUAL AND PHYSICAL PROPERTY OF EVB ENGINEERING. AUTHORIZED USE OF THIS DRAWING IS GRANTED SOLELY FOR THE PURPOSE OF THIS SPECIFIC PROJECT AND LOCATION, AND NOT FOR CONSTRUCTION OR USE FOR ANY OTHER PROJECT. COPYRIGHT © 2024 EVB ENGINEERING.



CONSULTANT:
EVB ENGINEERING
 800 SECOND STREET WEST
 CORNWALL, ONTARIO CANADA, K6J 1H6
 TEL: 613-935-3775 | FAX: 613-935-6450
 WEBSITE: EVBengineering.com

SUB-CONSULTANT:
CIMA+

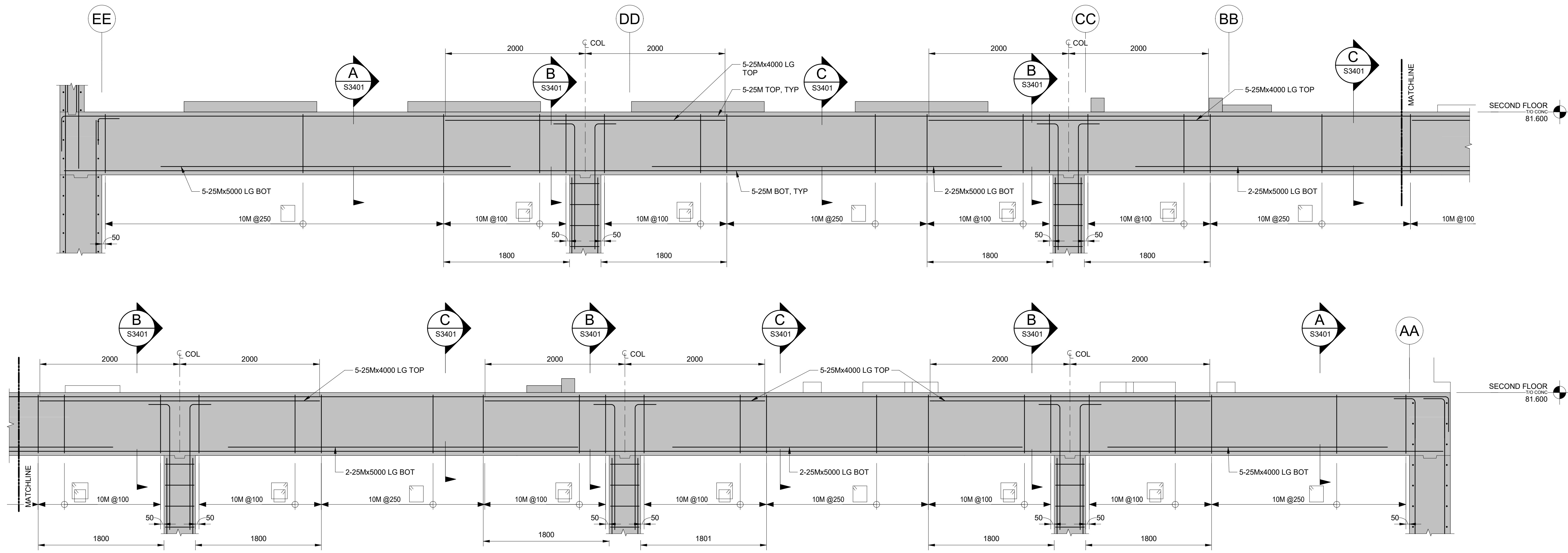
CLIENT:
Greater Napanee
 GRANTS FOR WATER SERVICES

PROJECT:
NEW NAPANEE WPCP

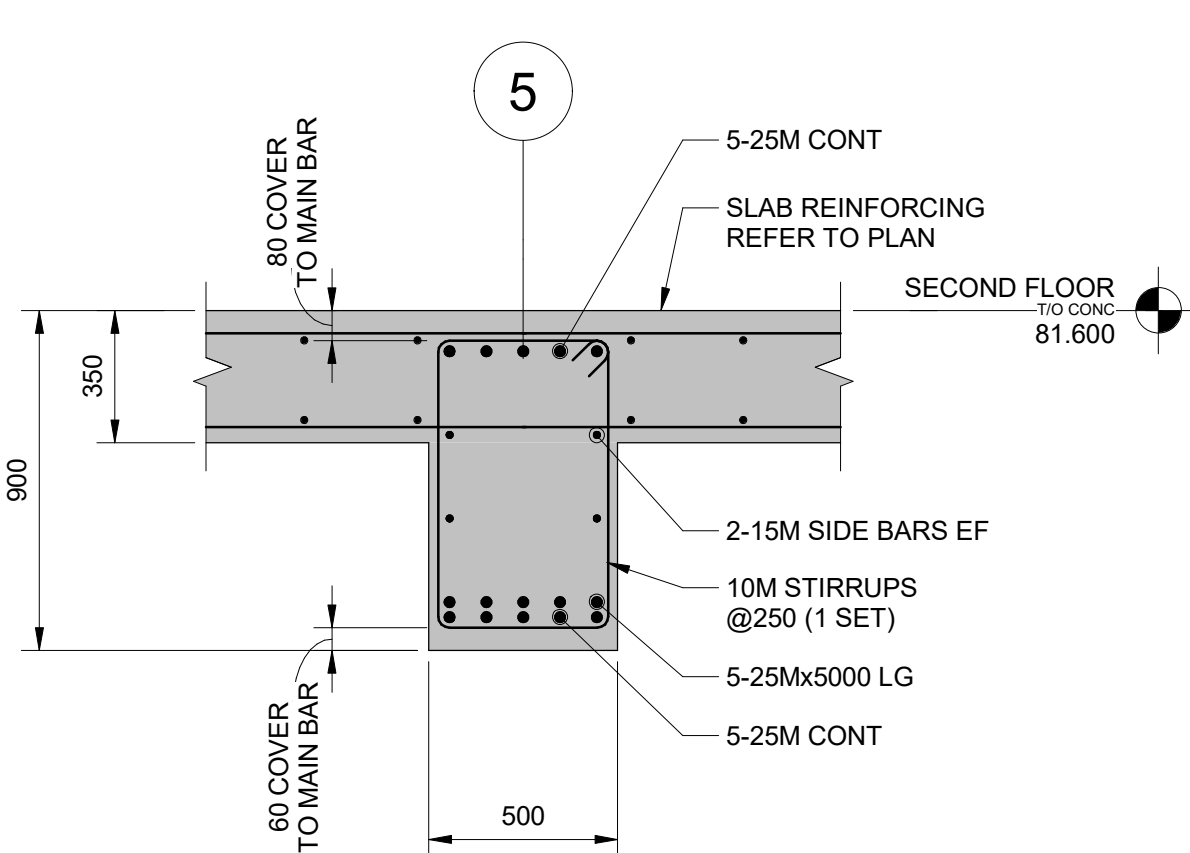
TITLE:
**NEW OPERATIONS BUILDING
 WALL ELEVATIONS REBAR**

SCALE: As indicated	JOB NO: 22001
DESIGNED BY: JUWC	DATE: 2025/01/23
DRAWN BY: KDS	DRAWING NO.:
CHECKED BY: WC	S3303

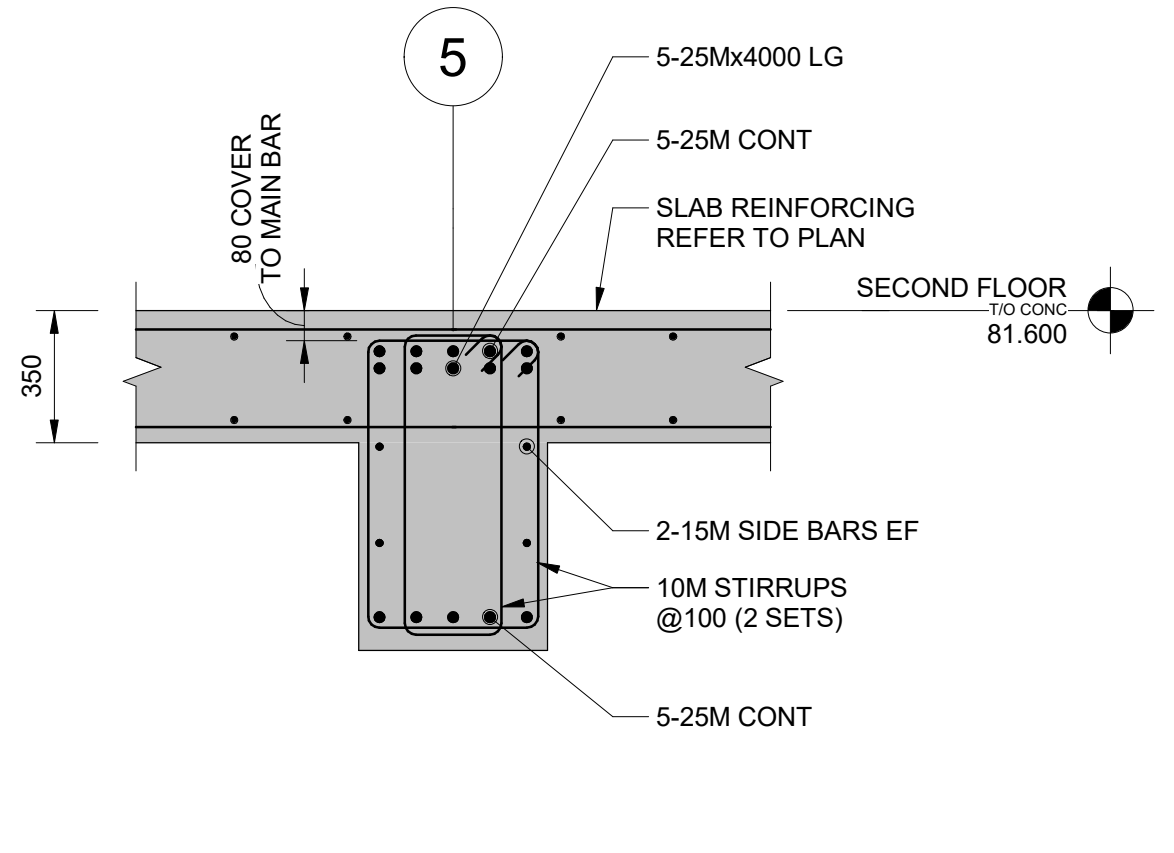
2025-01-22 8:58:16 AM Autodesk Docs://22001 - Napanee New WPCP/524 - Napanee WPCP Upgrades AGS Tanks.rvt



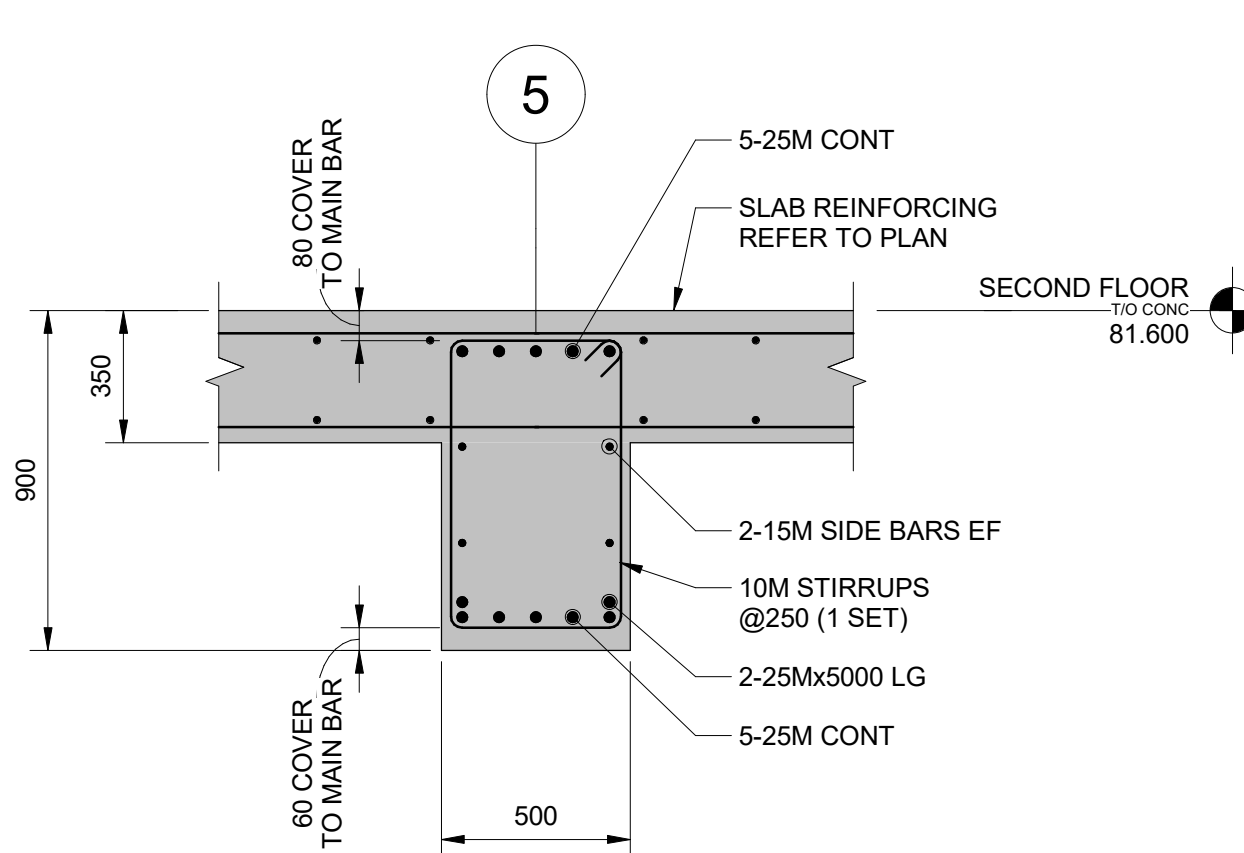
1 BEAM B1 ELEVATION
SCALE: 1 : 30



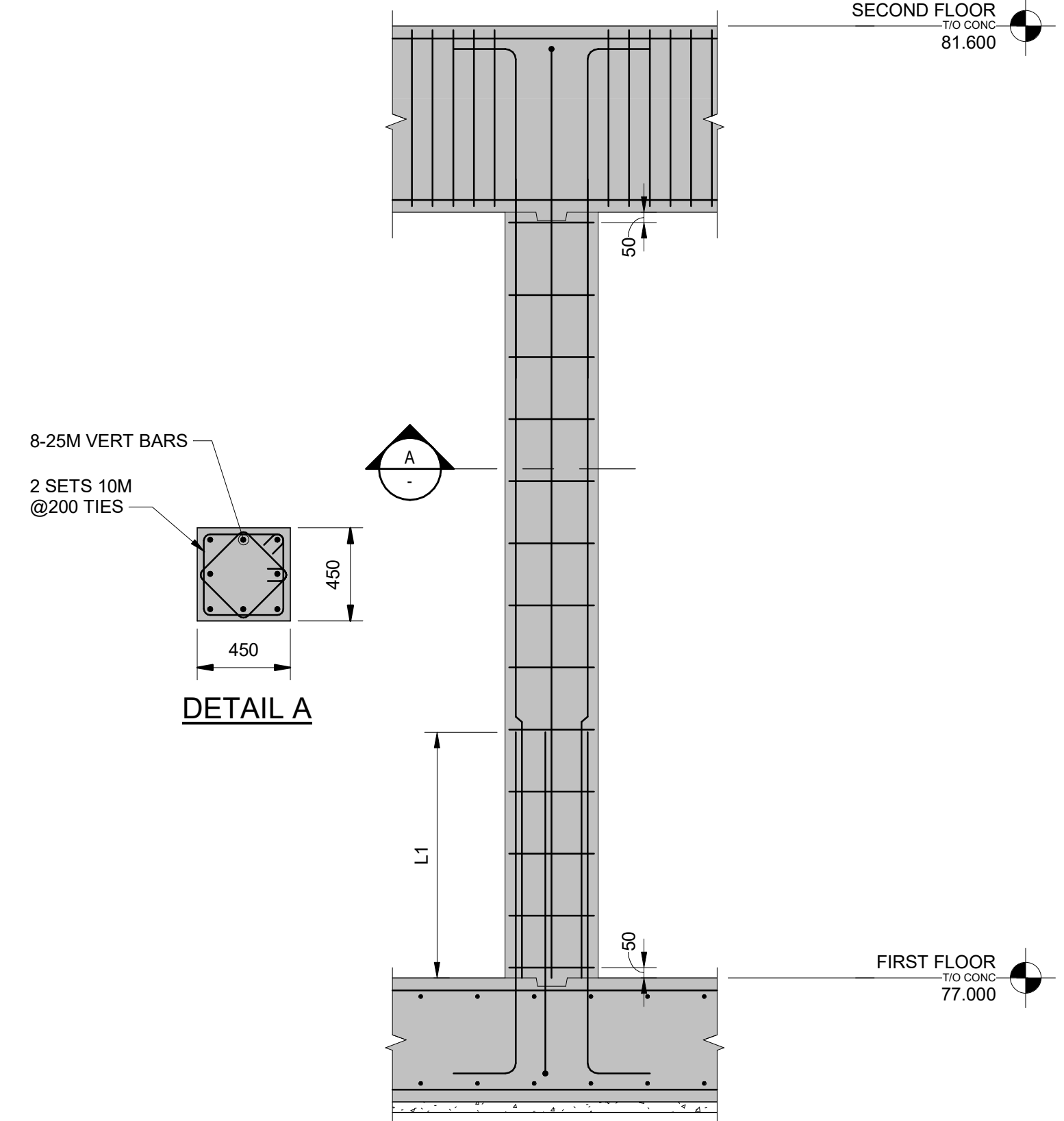
A SECTION A
S3401 SCALE: 1 : 20



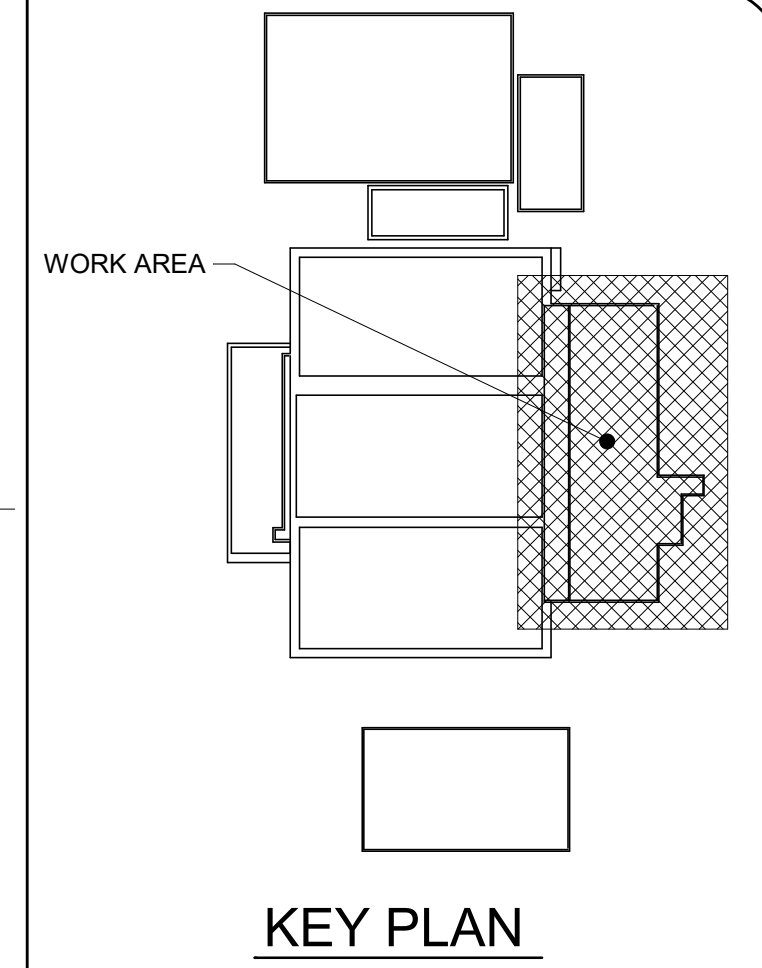
B SECTION B
S3401 SCALE: 1 : 20



C SECTION C
S3401 SCALE: 1 : 20



2 COLUMN C1 ELEVATION
SCALE: 1 : 25



DATE	NO.	REVISION
2025/01/23	2	ISSUED FOR TENDER
2024/08/23	1	ISSUED FOR ECA APPROVAL

THE DRAWINGS, ARRANGEMENTS, ANNOTATIONS AND GRAPHICAL PRESENTATIONS ON THIS DOCUMENT ARE THE PROPERTY OF EVB ENGINEERING WHO RETAINS OWNERSHIP AND AUTHORITY OF THIS DOCUMENT. IN ITS ENTIRETY THIS DOCUMENT IS AN INSTRUMENT OF SERVICE AND IS THE INTELLECTUAL AND PHYSICAL PROPERTY OF EVB ENGINEERING. AUTHORIZED USE OF THIS DRAWING IS GRANTED SOLELY FOR THE PURPOSE OF THIS SPECIFIC PROJECT AND LOCATION, AND NOT FOR CONSTRUCTION OR USE FOR ANY OTHER PROJECT. COPYRIGHT © 2024 EVB ENGINEERING.



CONSULTANT:
EVB ENGINEERING
 800 SECOND STREET WEST
 CORNWALL, ONTARIO CANADA, K6J 1H6
 TEL: 613-935-3775 | FAX: 613-935-6450
 WEBSITE: EVBengineering.com

SUB-CONSULTANT:
CIMA+

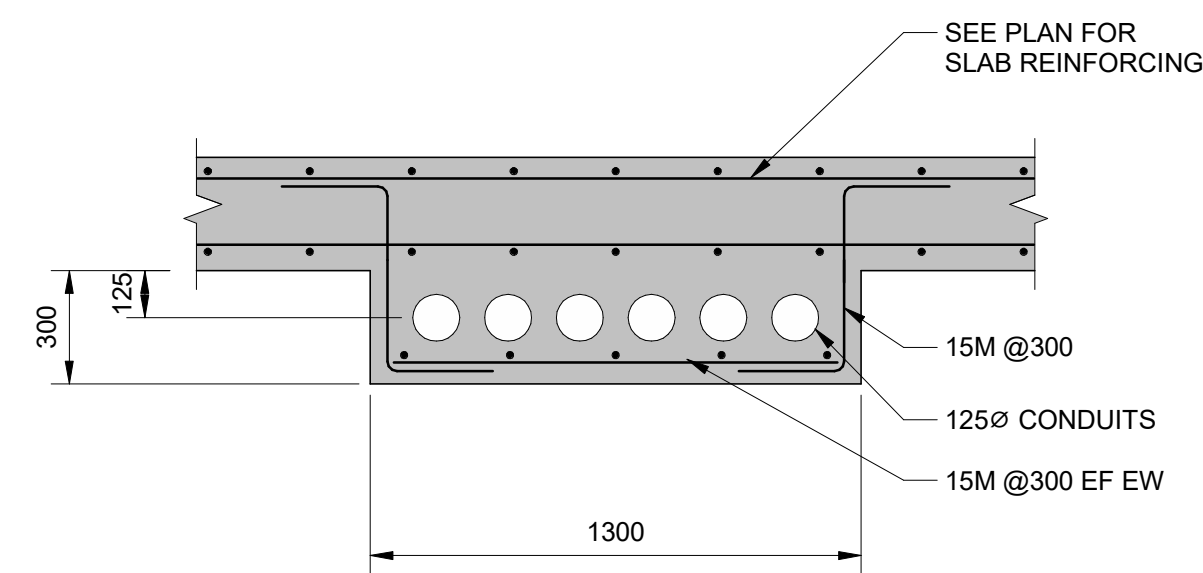
CLIENT:
Greater Napanee
GRANDS FOR MANY REASONS

PROJECT:
NEW NAPANEE WPCP

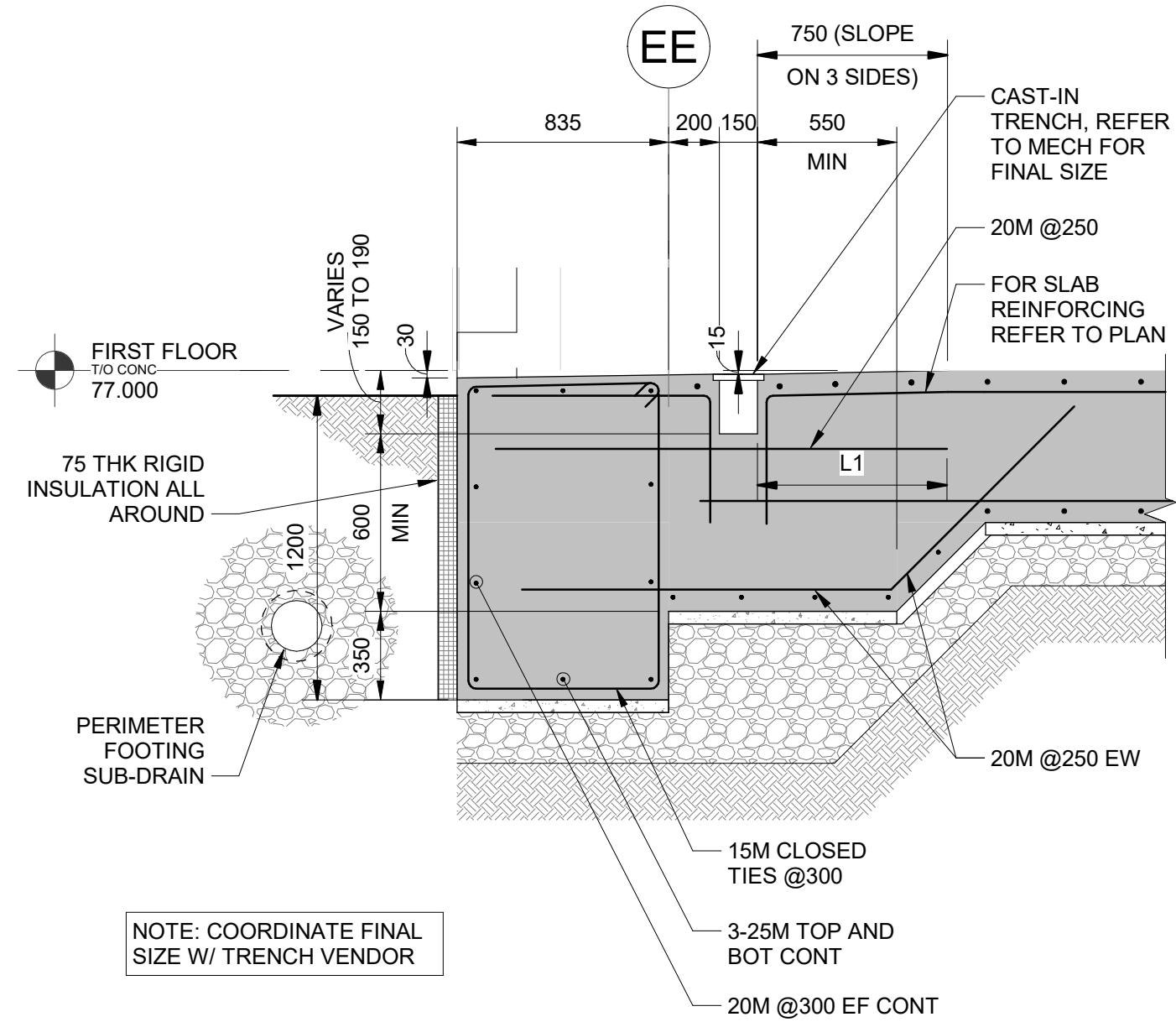
TITLE:
**NEW OPERATIONS BUILDING
 BEAM AND COLUMN DETAILS**

SCALE: As indicated	JOB NO: 22001
DESIGNED BY: JUW/C	DATE: 2025/01/23
DRAWN BY: KDS	DRAWING NO. S3401
CHECKED BY: WC	

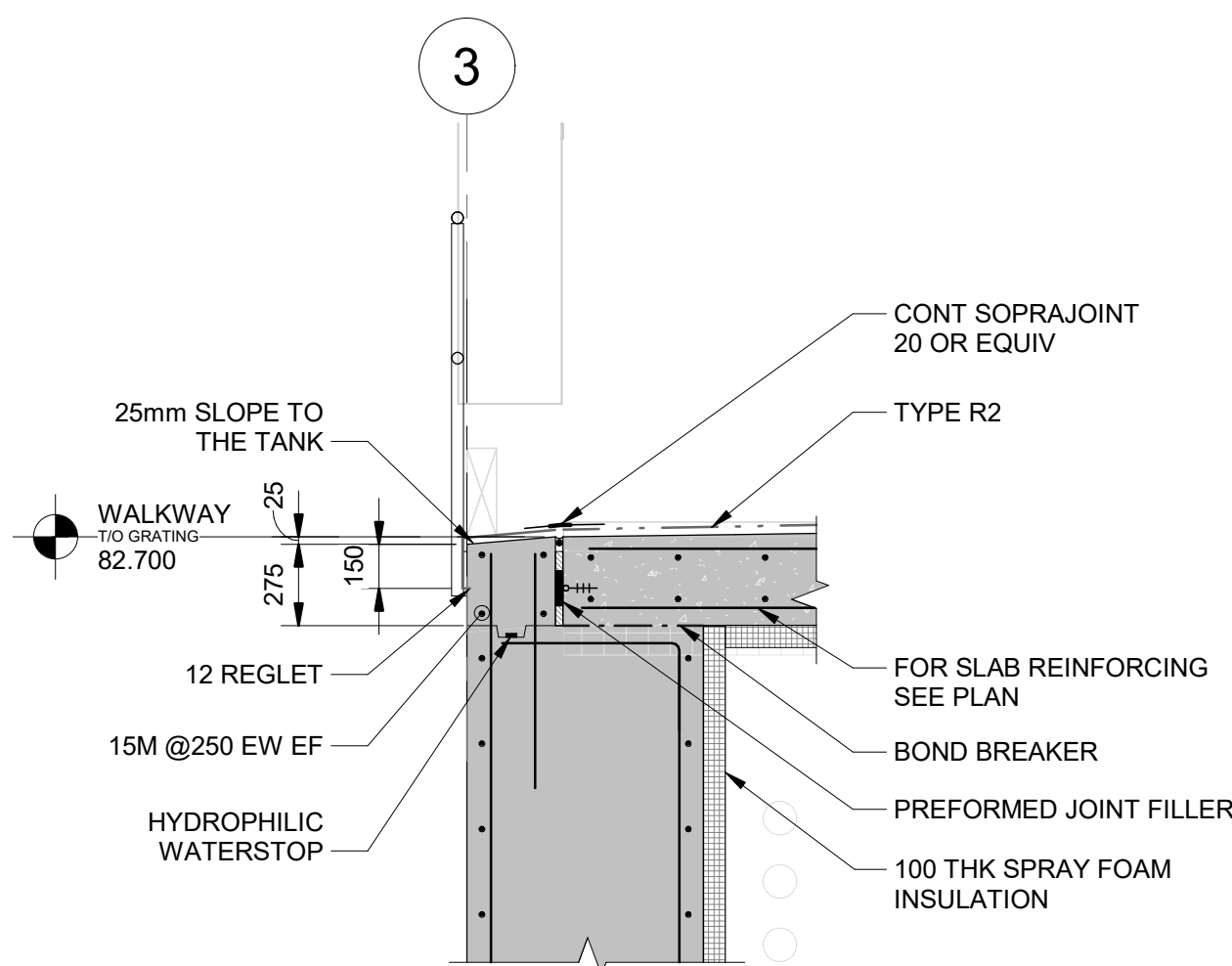
2025-01-22 8:58:19 AM Autodesk Docs/22001 - Napanee New WPCP/S24 - Napanee WPCP Upgrades AGS Tanks.v4



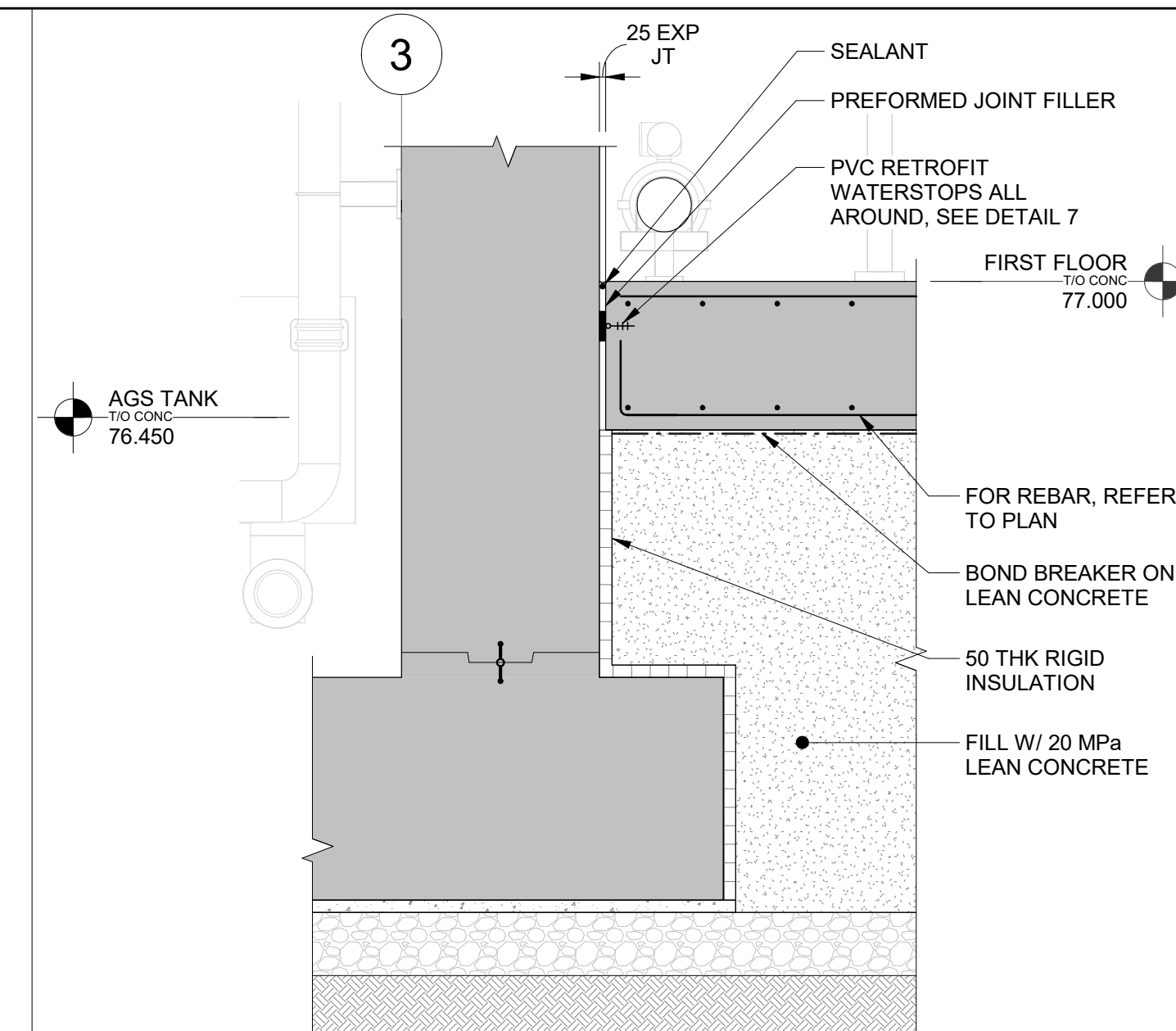
1 CONDUIT ENCASEMENT DETAIL
S3101 SCALE: 1: 20



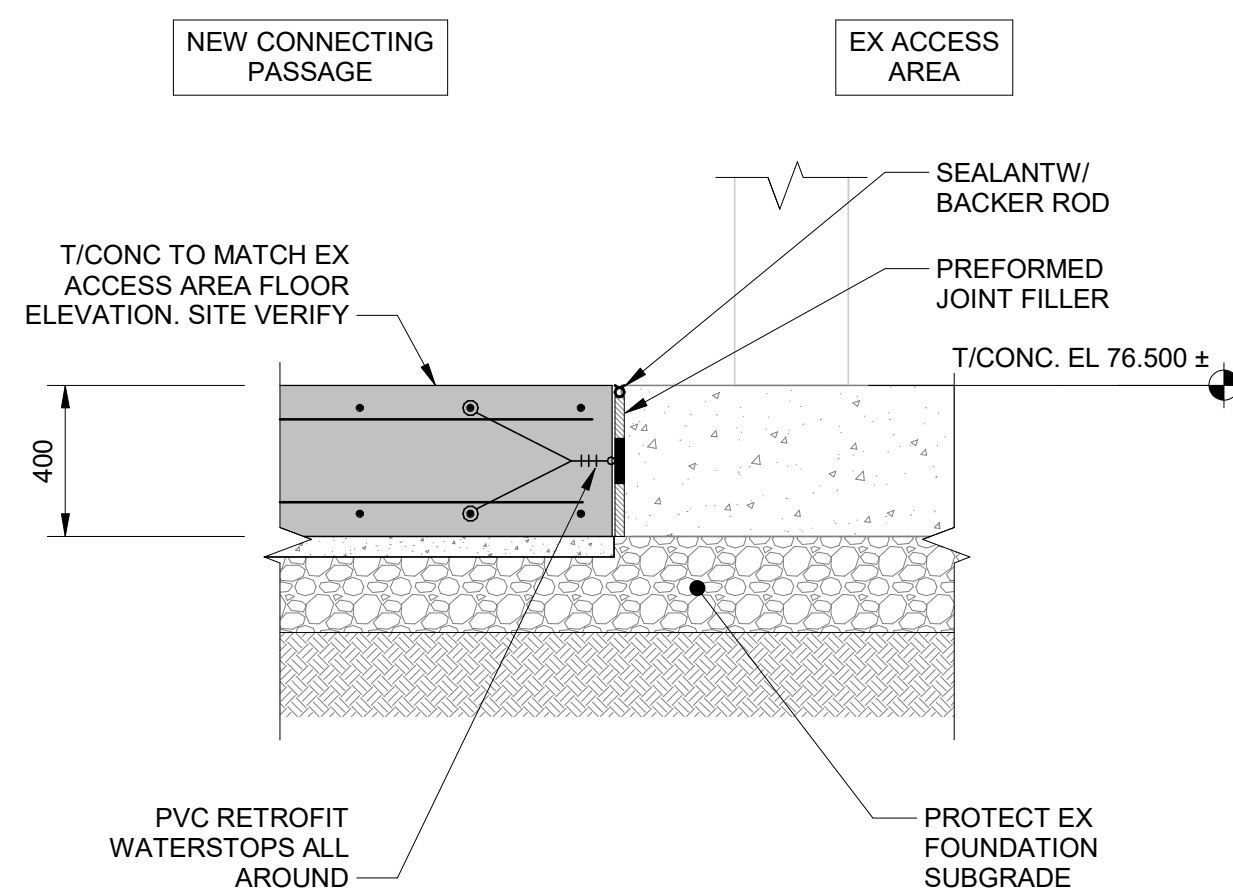
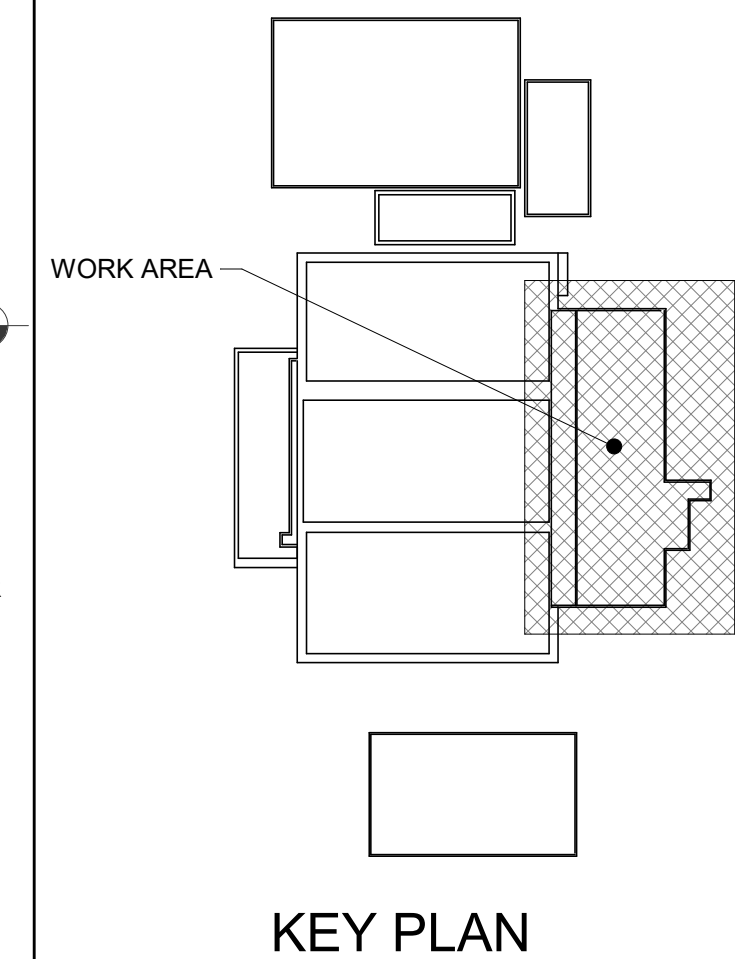
2 CAST-IN TRENCH AT FIRST FLOOR
S3301 SCALE: 1: 25



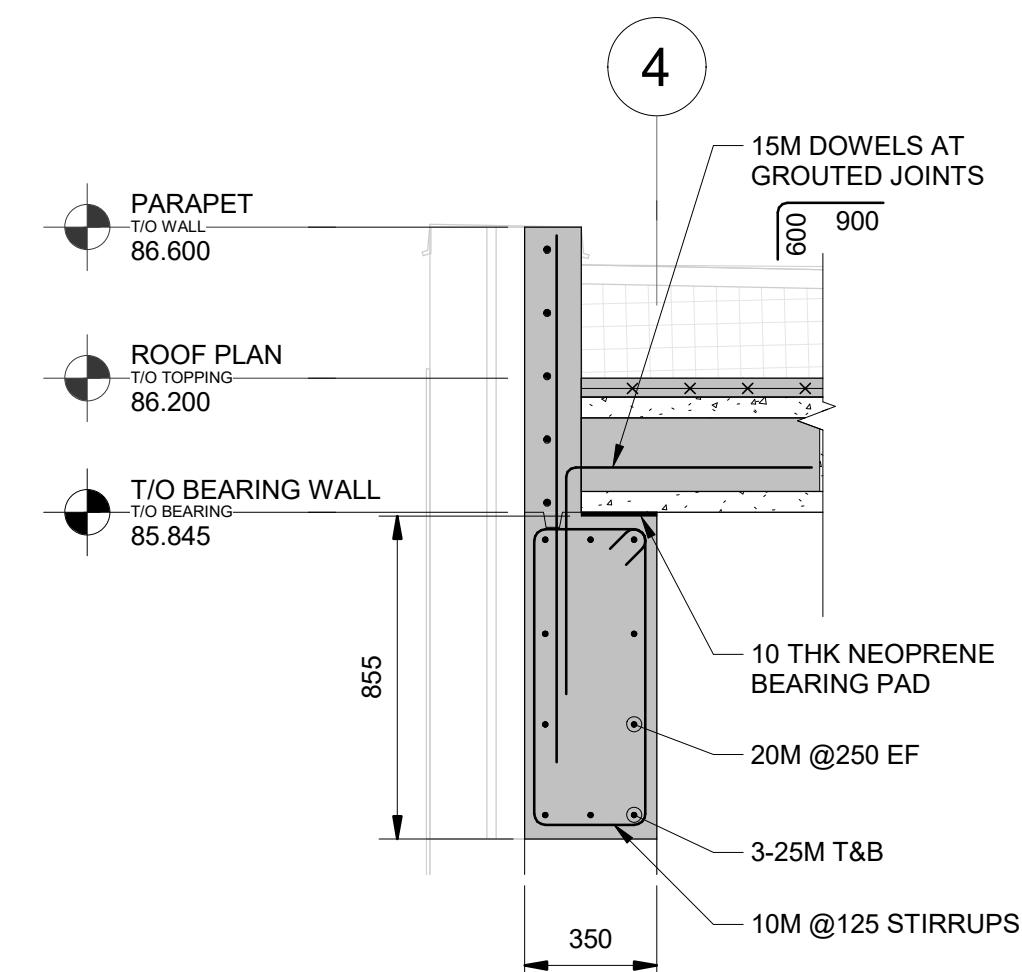
3 WALKWAY SLAB AT EXPANSION JOINT
S3301 SCALE: 1: 25



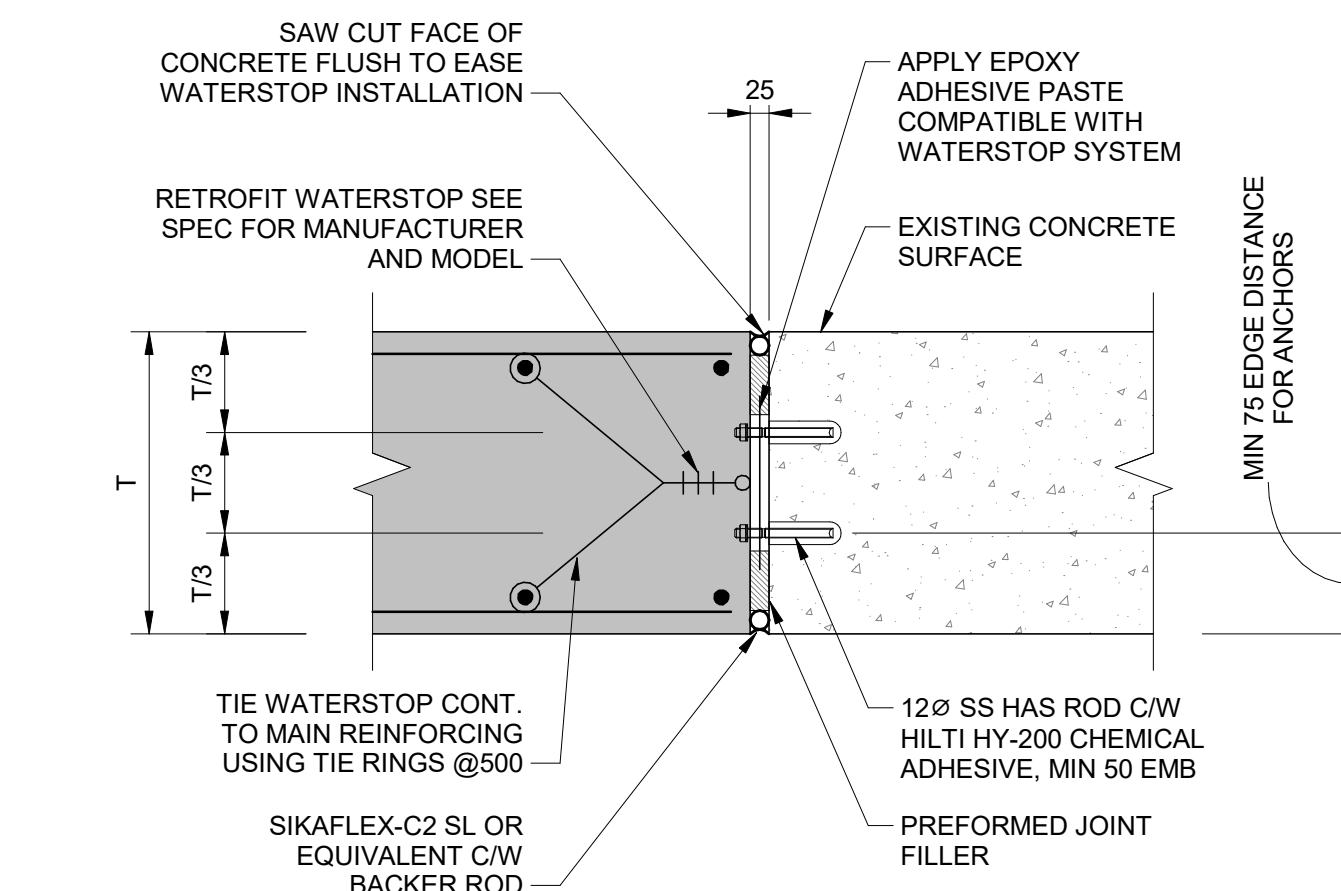
4 FOUNDATION DETAIL AT EXPANSION JOINT
S3301 SCALE: 1: 25



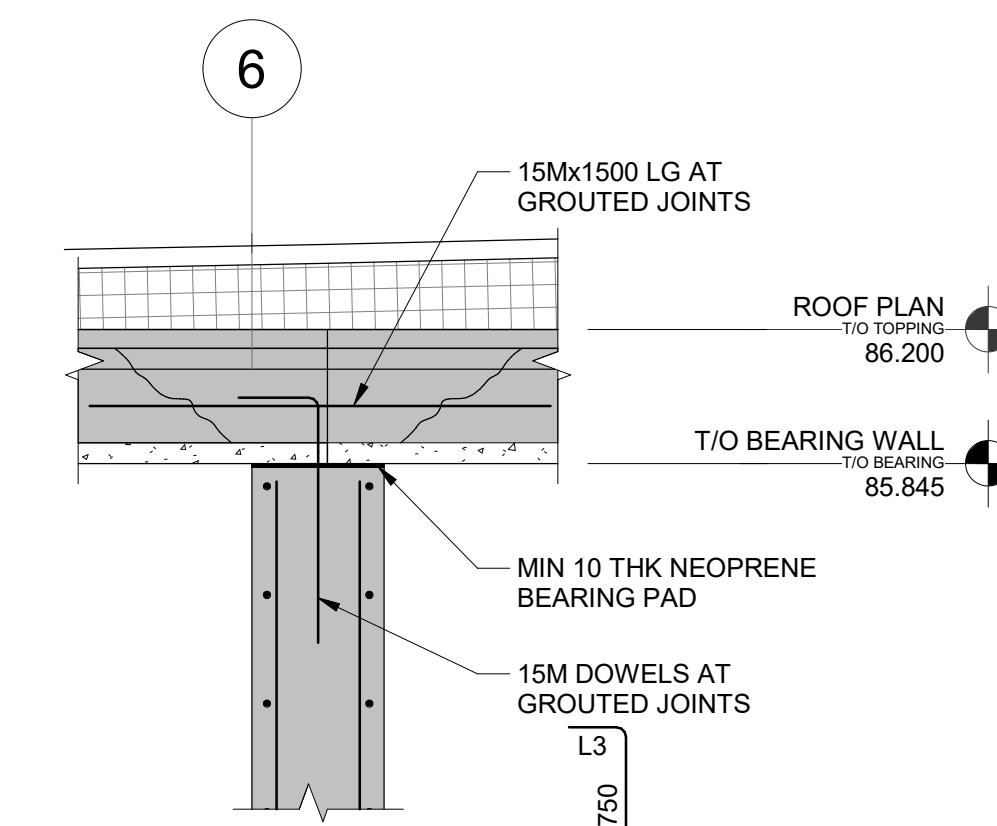
5 BASE SLAB TO EX SLAB DETAIL
S3302 SCALE: 1: 20



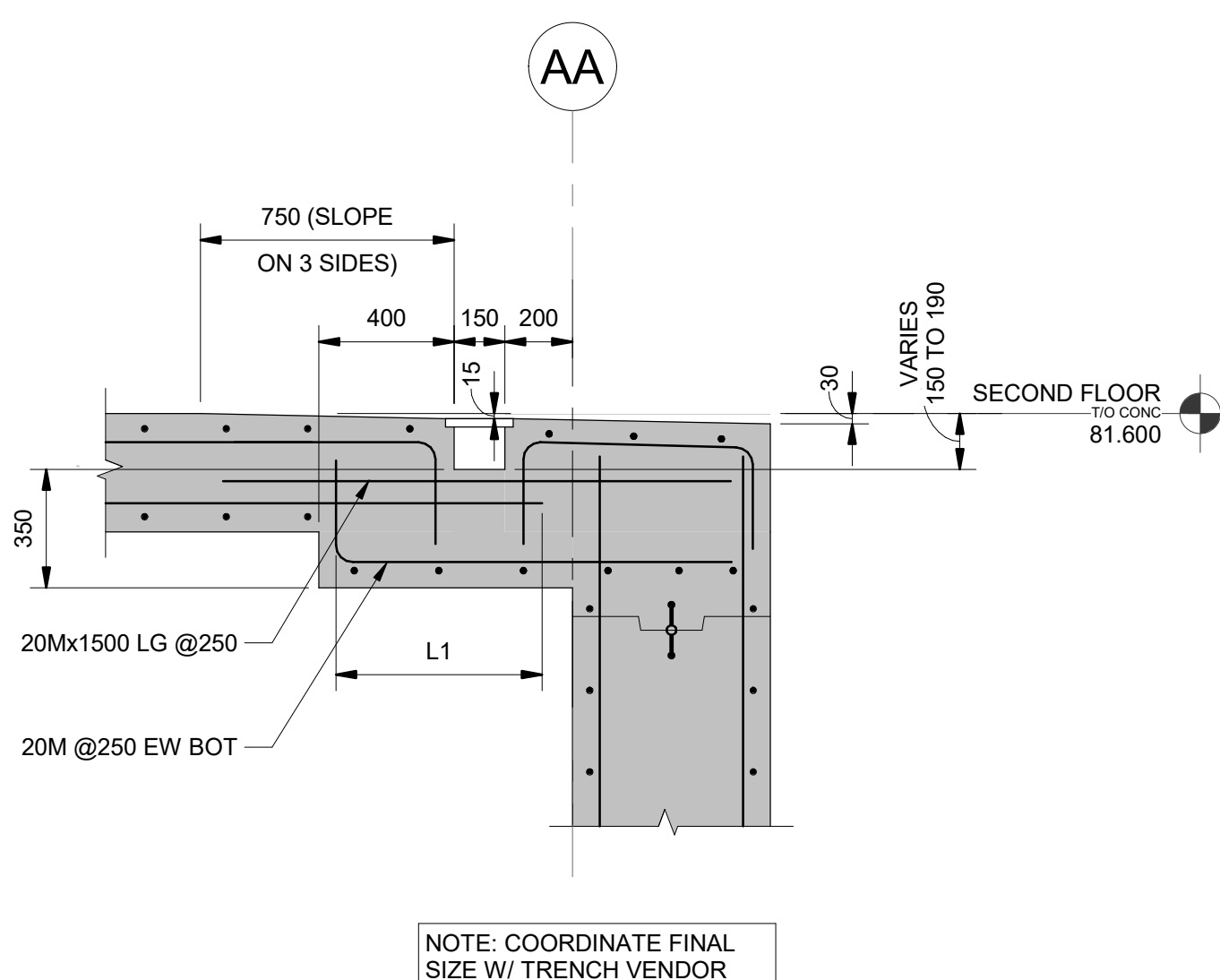
6 HEADER BEAM DETAIL
S3302 SCALE: 1: 20



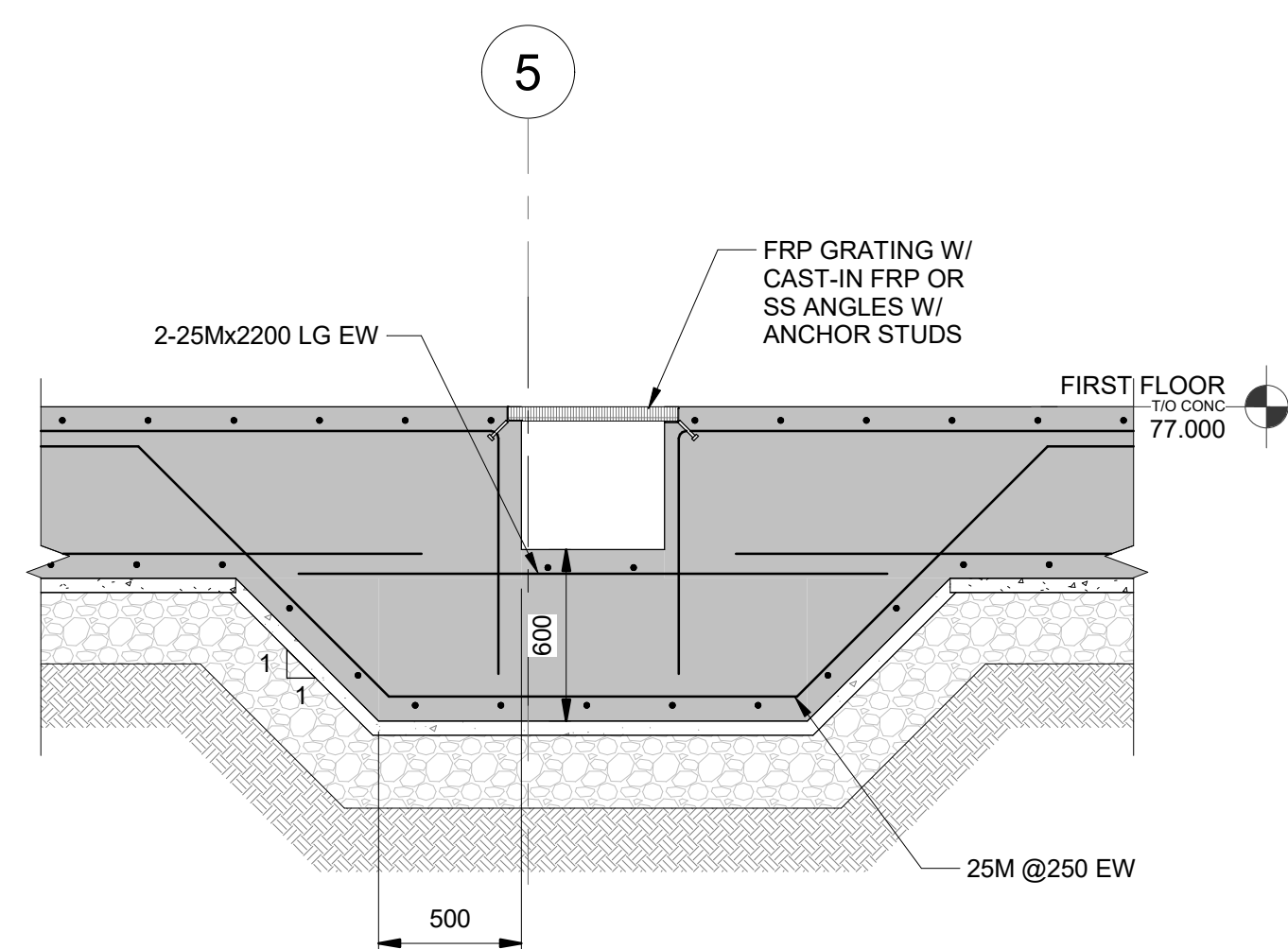
7 TYPICAL RETROFIT WATERSTOP
SCALE: 1: 10



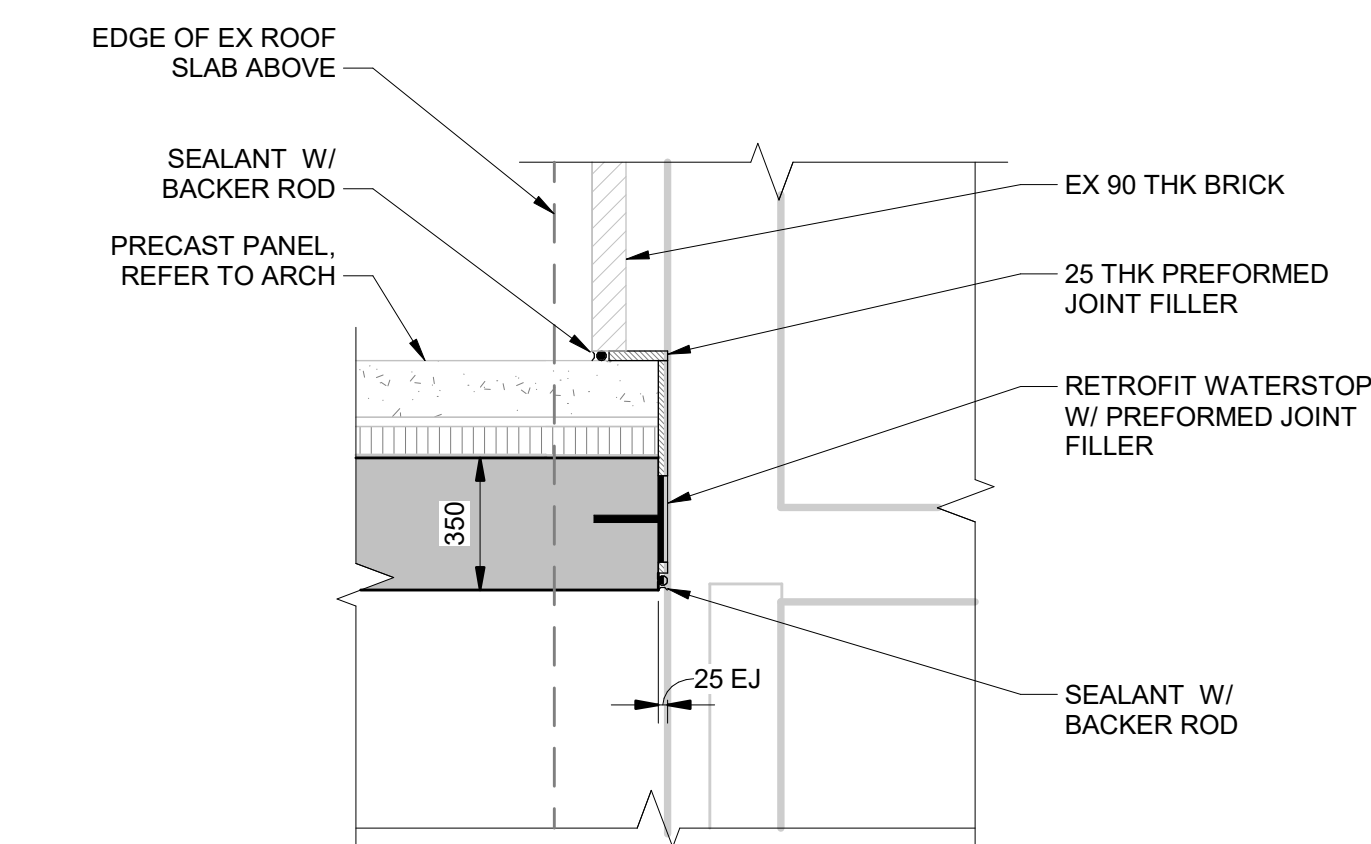
8 DETAIL
S3302 SCALE: 1: 20



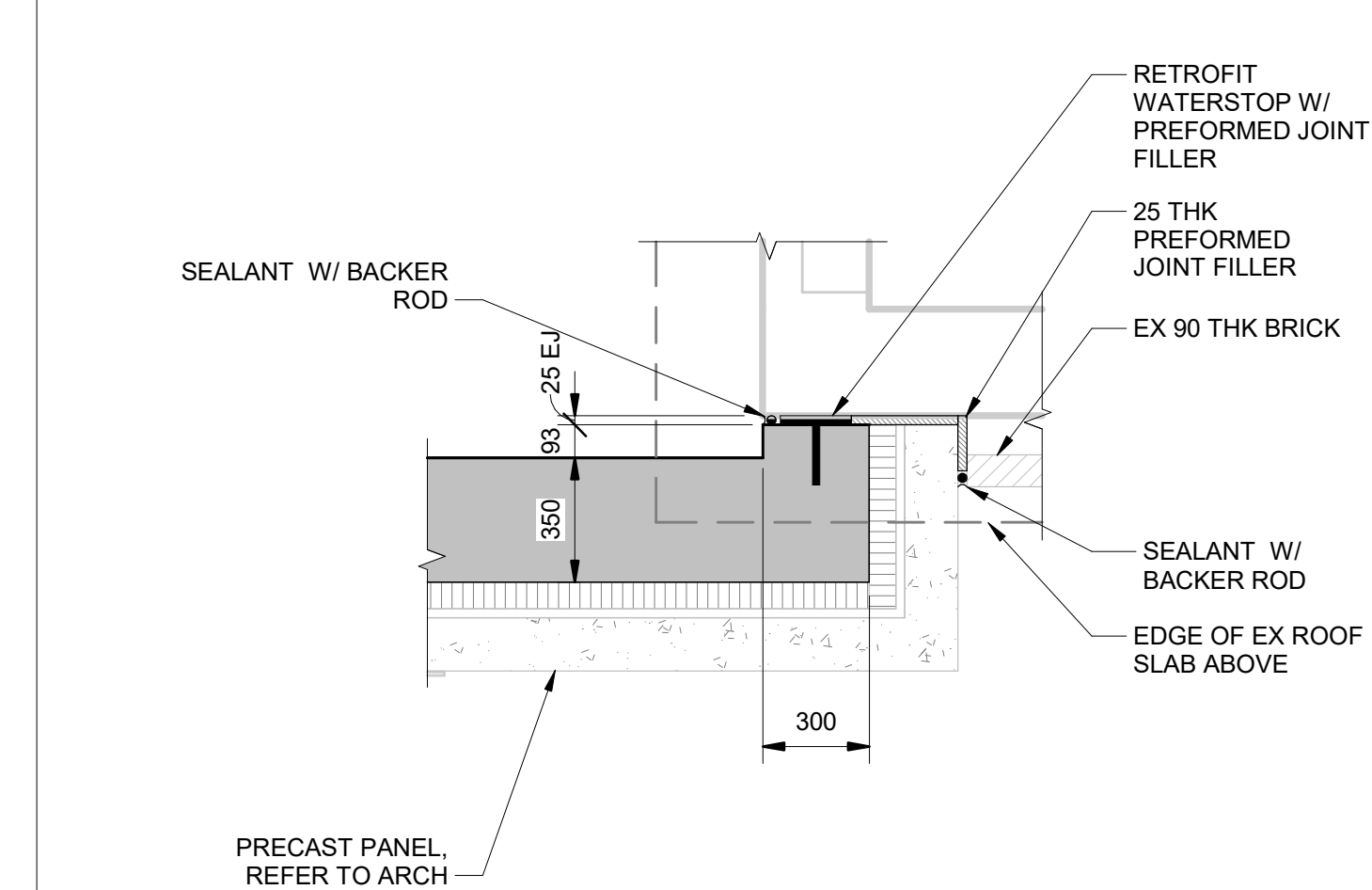
9 CAST-IN TRENCH AT SECOND FLOOR
SCALE: 1: 20



10 SUMP DETAIL
S3101 SCALE: 1: 25



11 NORTH WALL CORNER INTERFACE AT EL 79.300
S3101 SCALE: 1: 20



12 SOUTH WALL CORNER INTERFACE AT EL 79.300
S3101 SCALE: 1: 20

DATE	NO.	REVISION
2025/01/23	2	ISSUED FOR TENDER
2024/08/23	1	ISSUED FOR ECA APPROVAL

THE DRAWINGS, ARRANGEMENTS, ANNOTATIONS AND GRAPHICAL PRESENTATIONS ON THIS DOCUMENT ARE THE PROPERTY OF EVB ENGINEERING WHO RETAINS OWNERSHIP AND AUTHORITY OF THIS DOCUMENT. IN ITS ENTIRETY THIS DOCUMENT IS AN INSTRUMENT OF SERVICE AND IS THE INTELLECTUAL AND PHYSICAL PROPERTY OF EVB ENGINEERING. AUTHORIZED USE OF THIS DRAWING IS GRANTED SOLELY FOR THE PURPOSE OF THIS SPECIFIC PROJECT AND LOCATION, AND NOT FOR CONSTRUCTION OR USE FOR ANY OTHER PROJECT. COPYRIGHT © 2024 EVB ENGINEERING.

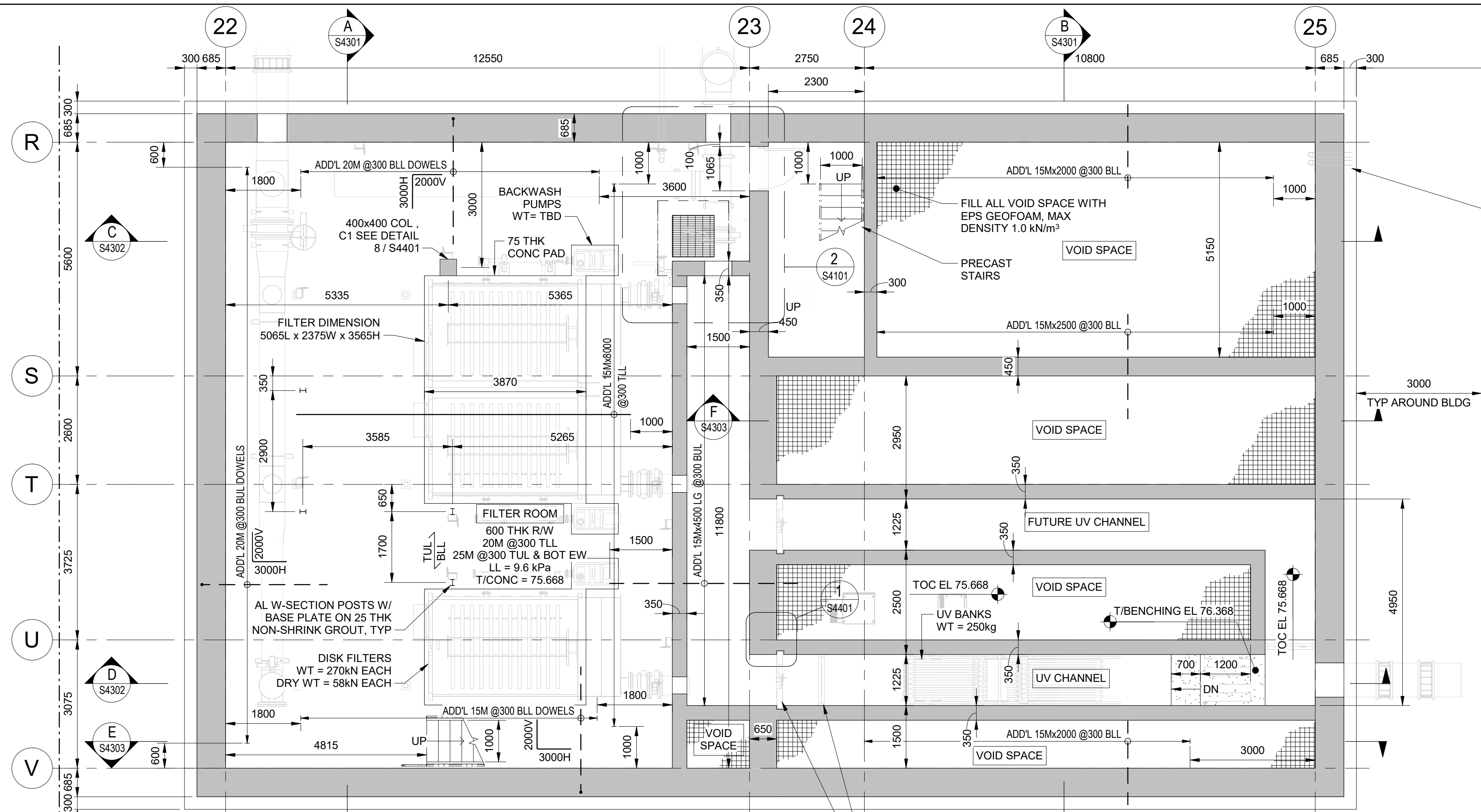


CONSULTANT:
EVB ENGINEERING
800 SECOND STREET WEST
CORNWALL, ONTARIO CANADA, K6J 1H6
TEL: 613-935-3775 | FAX: 613-935-6450
WEBSITE: EVBengineering.com

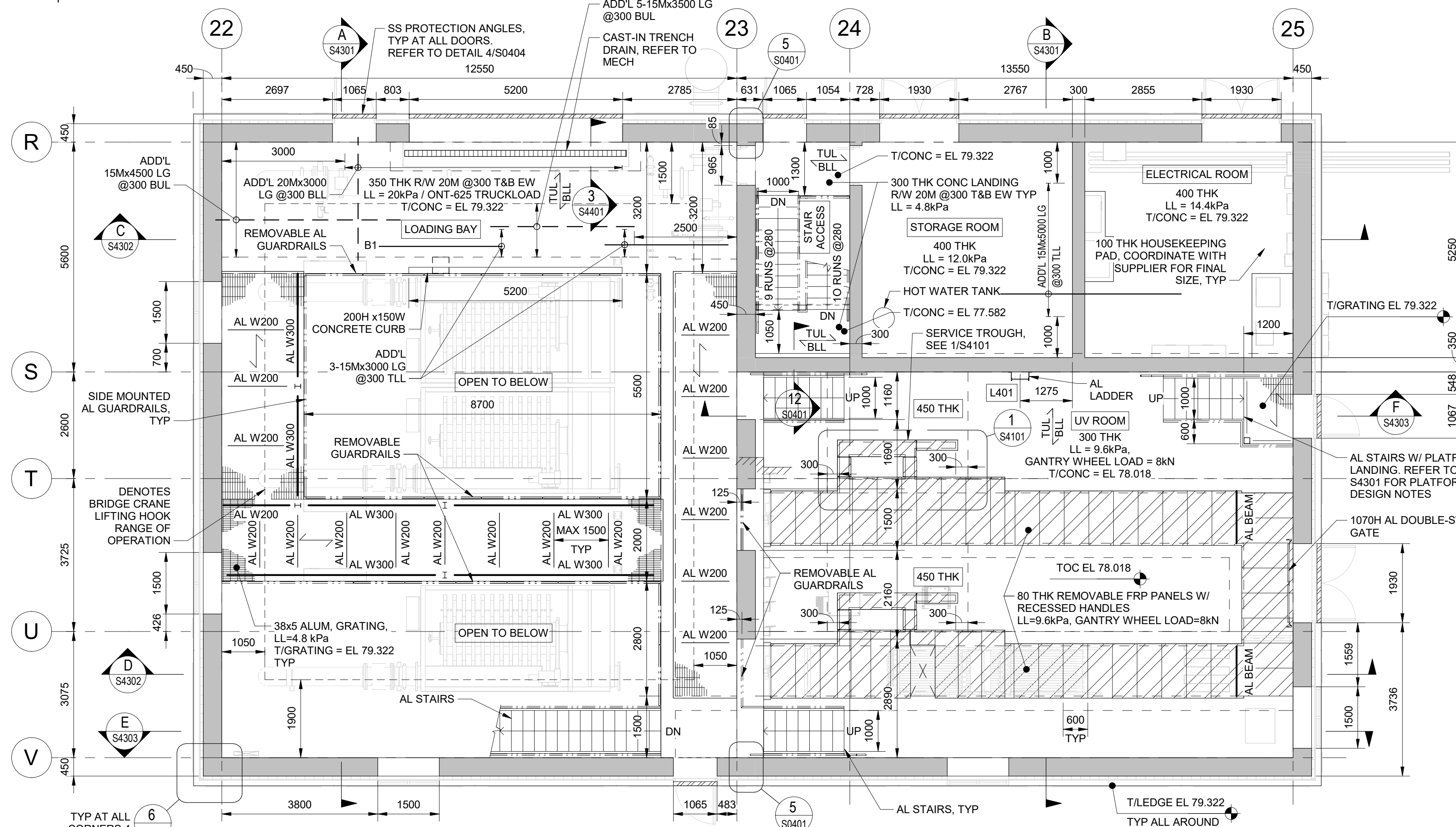
SUB-CONSULTANT:
CIMA+
CLIENT:
Greater Napanee
GRANDS DES BARRÉS

PROJECT:
NEW NAPANEE WPCP
TITLE:
NEW OPERATIONS BUILDING DETAILS

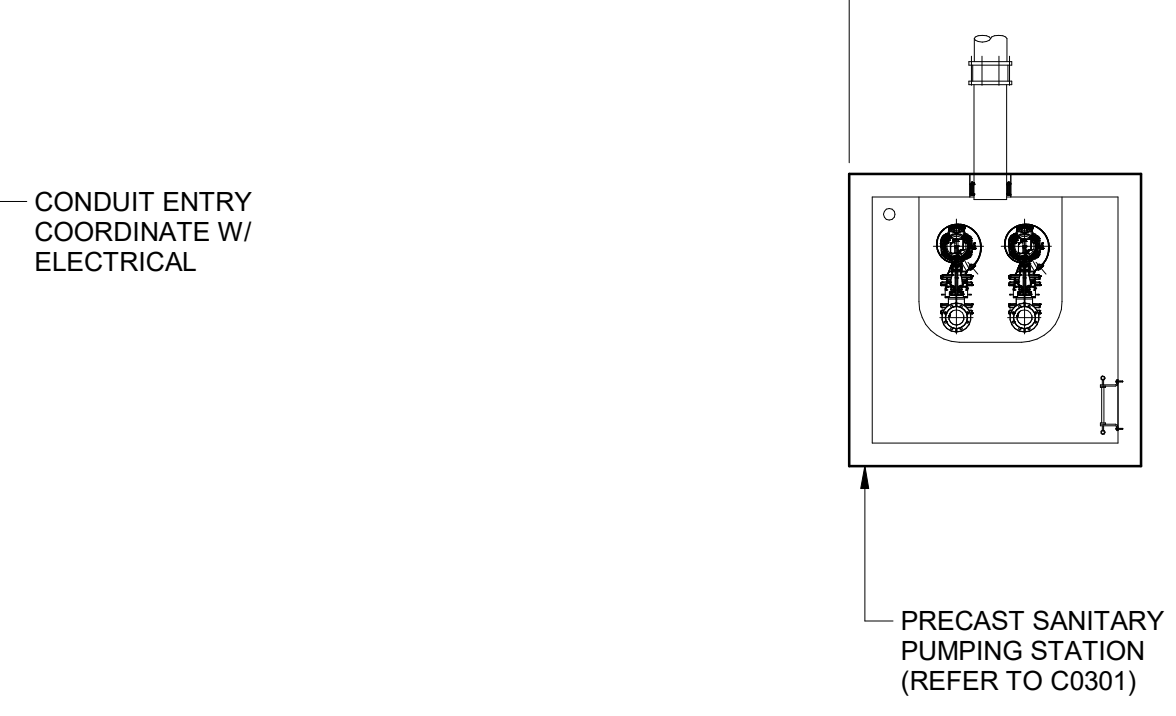
SCALE: As indicated
DESIGNED BY: WC
DRAWN BY: KDS
CHECKED BY: ARP
JOB NO: 22001
DATE: 2025/01/23
DRAWING NO:
S3402



FOUNDATION PLAN
SCALE: 1 : 75



GROUND FLOOR PLAN
SCALE: 1 : 75



KEY PLAN

- NOTES:**
1. ALL FLOOR MOUNTED EQUIPMENT SHALL BE PROVIDED WITH MIN 100 THK HOUSEKEEPING PAD. COORDINATE WITH SUPPLIERS FOR FINAL SIZE AND THICKNESS. REFER TO DETAIL 6/S0402.
 2. ALL FLOOR OPENING LOCATIONS AND SIZES SHALL BE COORDINATED WITH ALL SUB-TRADES. PROVIDE SS SLEEVES FOR CASTING INTO FLOOR. ADDITIONAL BARS SHALL BE REFERRED TO DWG S0401.
 3. PIPING RUNNING HORIZONTALLY WITHIN THE STRUCTURAL SLAB IS NOT PERMITTED.

DATE	NO.	REVISION
2025/01/23	2	ISSUED FOR TENDER
2024/08/23	1	ISSUED FOR ECA APPROVAL

THE DRAWINGS, ARRANGEMENTS, ANNOTATIONS AND GRAPHICAL PRESENTATIONS ON THIS DOCUMENT ARE THE PROPERTY OF EVB ENGINEERING WHO RETAINS OWNERSHIP AND AUTHORITY OF THIS DOCUMENT. IN ITS ENTIRETY THIS DOCUMENT IS AN INSTRUMENT OF SERVICE AND IS THE INTELLECTUAL AND PHYSICAL PROPERTY OF EVB ENGINEERING. AUTHORIZED USE OF THIS DRAWING IS GRANTED SOLELY FOR THE PURPOSE OF THIS SPECIFIC PROJECT AND LOCATION, AND NOT FOR CONSTRUCTION OR USE FOR ANY OTHER PROJECT. COPYRIGHT © 2024 EVB ENGINEERING.



CONSULTANT:
EVB ENGINEERING
800 SECOND STREET WEST
CORNWALL, ONTARIO CANADA, K6J 1H6
TEL: 613-935-3775 | FAX: 613-935-6450
WEBSITE: EVBengineering.com

SUB-CONSULTANT:
CIMA+

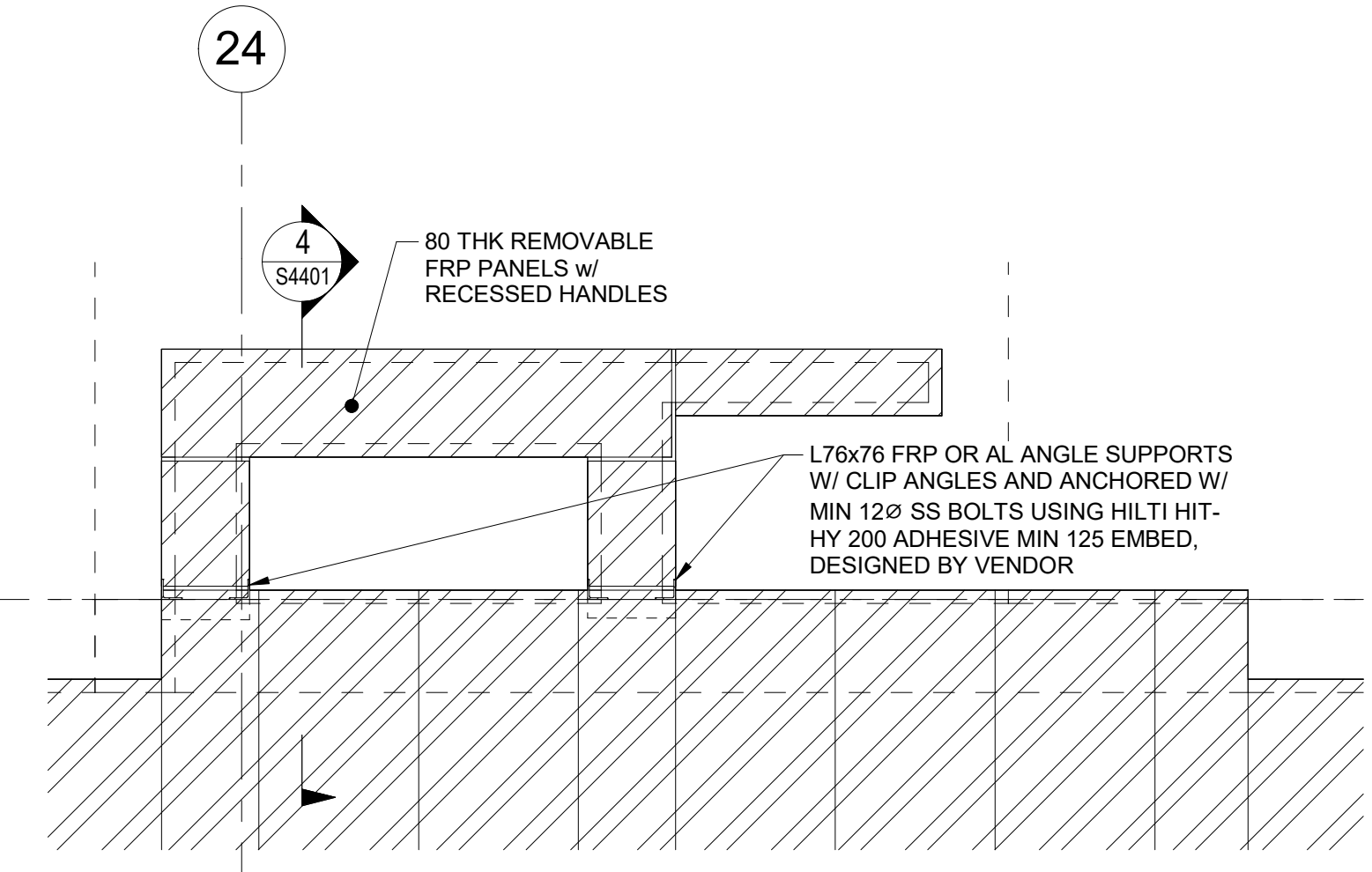
CLIENT:
Greater Napanee
GRANDS FOR WATER SOLUTIONS

PROJECT:
NEW NAPANEE WPCP

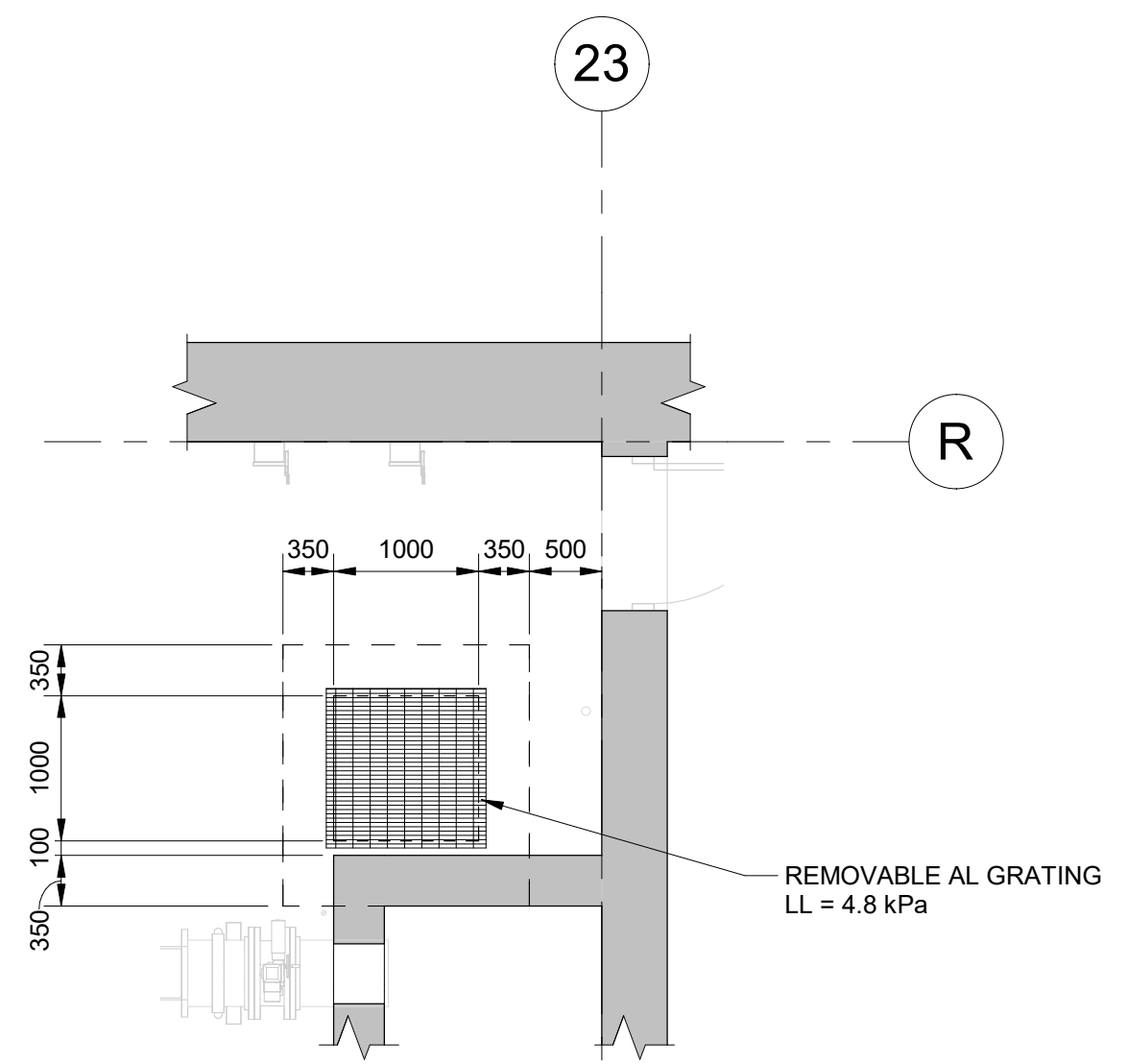
TITLE:
NEW TERTIARY/UV BUILDING - FOUNDATION AND GROUND FLOOR PLAN

SCALE:	JOB NO:
As indicated	22001
DESIGNED BY:	DATE:
YF/WC	2025/01/23
DRAWN BY:	DRAWING NO.:
KDS/ILM	
CHECKED BY:	
WC	

S4101

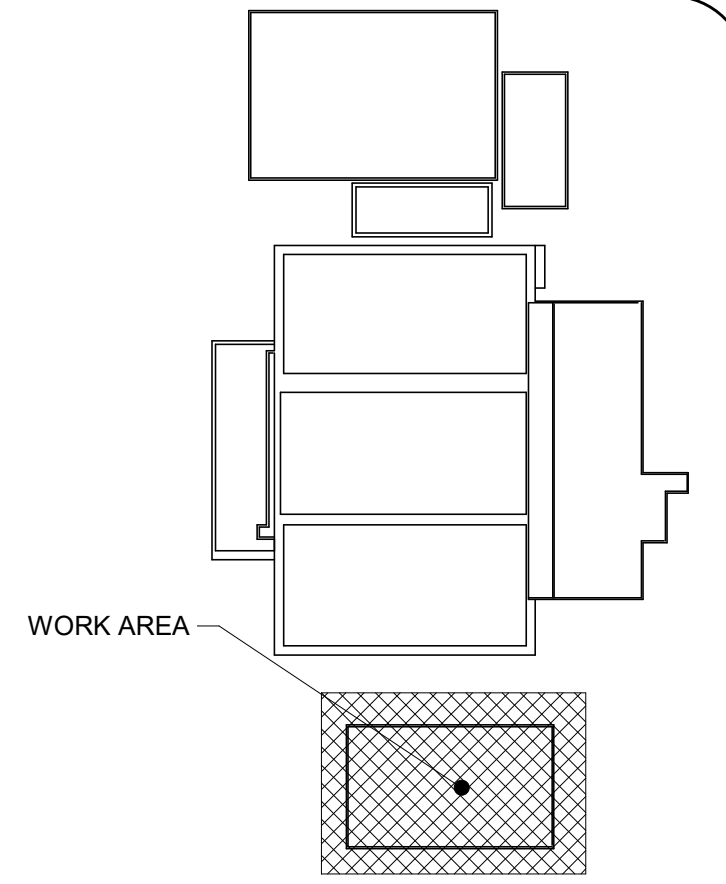
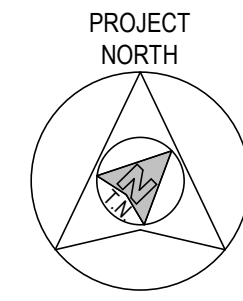


1 SERVICE TROUGH ENLARGED PLAN
SCALE: 1 : 25

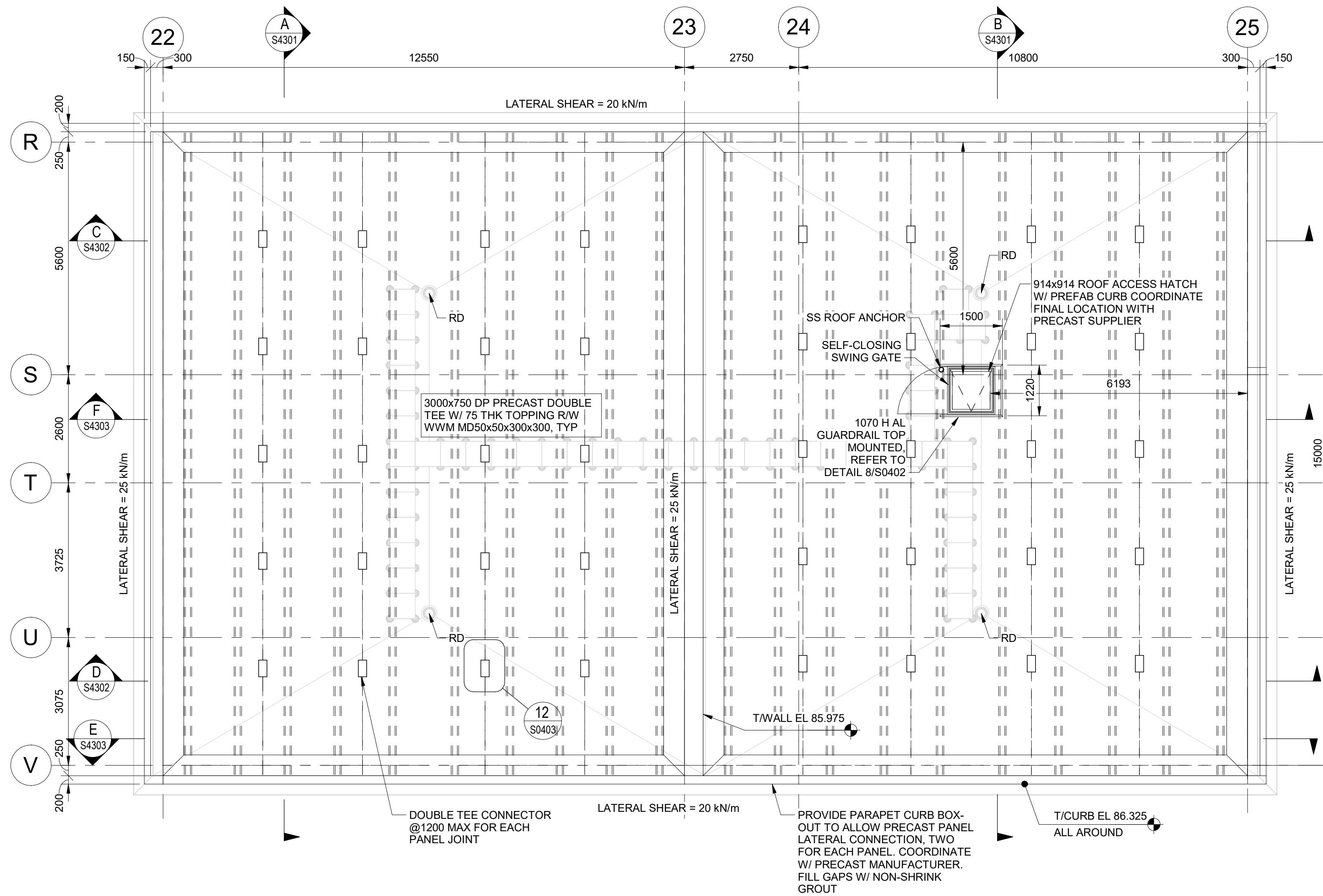


2 SUMP ENLARGED PLAN
SCALE: 1 : 50

2025-01-22 2:31:22 PM Autodesk Docs: I22001 - Napanee New WPCP/S24 - Napanee WPCP Upgrades Tertiary UV Bldg.rvt



KEY PLAN



ROOF PLAN

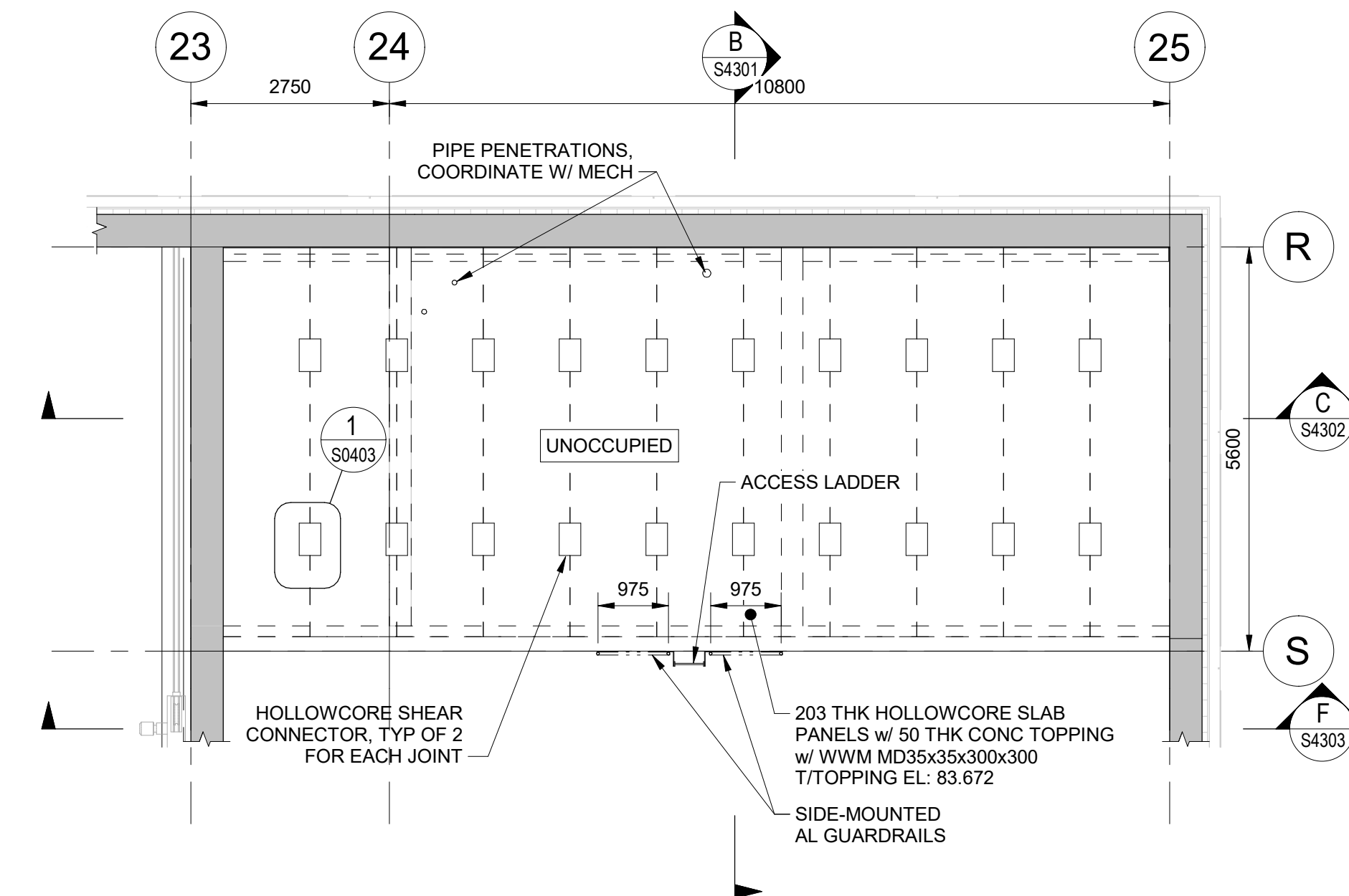
SCALE: 1 : 75

ROOF STRUCTURE:

- 1. PRECAST DOUBLE TEE ROOF SLABS TO BE DESIGNED BY SUPPLIER. REFER TO THE SPECIFICATION.
2. UPPER SURFACE TO BE RAKED TO PROVIDE BONDING-KEY FOR COMPOSITE TOPPING.
3. SEE S0001 FOR PRECAST CONCRETE NOTES.
4. LIVE LOAD DEFLECTION LIMIT = SPAN/360
5. TOTAL LOAD DEFLECTION LIMIT = SPAN/240

DESIGN LOADS:

ROOF:
DL = 1.8kPa: 75mm THK CONCRETE TOPPING
DL = DOUBLE TEES: SELF WEIGHT: 3.60 kPa MAX
SDL = 1.1 kPa: ROOFING INCLUDES INSULATION, AND M&E.
LL = 1.0 kPa ROOF MAINTENANCE
SNOW = 1.73 kPa (SLS), 2.40 kPa (ULS)
EARTHQUAKE = SEE PLAN FOR LATERAL SHEAR FORCES
RAIN LOAD AT LOW POINT = 2.23 kPa
AT HIGH POINT = 0.82 kPa
ONE-DAY RAIN = 92 mm
REFER TO ARCH DWG FOR ROOF SLOPES



INTERMEDIATE ROOF PLAN

SCALE: 1 : 75

HOLLOWCORE PANEL NOTES:

- 1. COORDINATE ALL OPENING WITH ALL TRADES PRIOR TO FABRICATION.
2. LIVE LOAD DEFLECTION LIMIT: SPAN/360
3. TOTAL LOAD DEFLECTION LIMIT = SPAN/240

DESIGN LOADS:

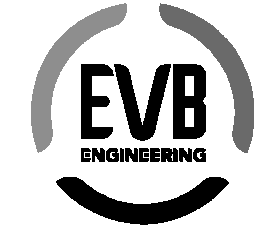
UNOCCUPIED ROOF SPACE:
DL = 1.2 kPa: 50mm THK CONCRETE TOPPING
DL = HOLLOWCORE PANELS: SELF WEIGHT: 2.7 kPa MAX
SDL = 0.5 kPa
LL = 4.8 kPa

Table with columns for DATE, NO., and REVISION. Includes entries for 2025/01/23 and 2024/08/23.

THE DRAWINGS, ARRANGEMENTS, ANNOTATIONS AND GRAPHICAL PRESENTATIONS ON THIS DOCUMENT ARE THE PROPERTY OF EVB ENGINEERING WHO RETAINS OWNERSHIP AND AUTHORITY OF THIS DOCUMENT IN ITS ENTIRETY. THIS DOCUMENT IS AN INSTRUMENT OF SERVICE AND IS THE INTELLECTUAL AND PHYSICAL PROPERTY OF EVB ENGINEERING. AUTHORIZED USE OF THIS DRAWING IS GRANTED SOLELY FOR THE PURPOSE OF THIS SPECIFIC PROJECT AND LOCATION, AND NOT FOR CONSTRUCTION OR USE FOR ANY OTHER PROJECT. COPYRIGHT © 2024 EVB ENGINEERING.



CONSULTANT:



800 SECOND STREET WEST
CORNWALL, ONTARIO CANADA, K6J 1H6
TEL: 613-935-3775 | FAX: 613-935-6450
WEBSITE: EVBengineering.com

SUB-CONSULTANT:



CLIENT:



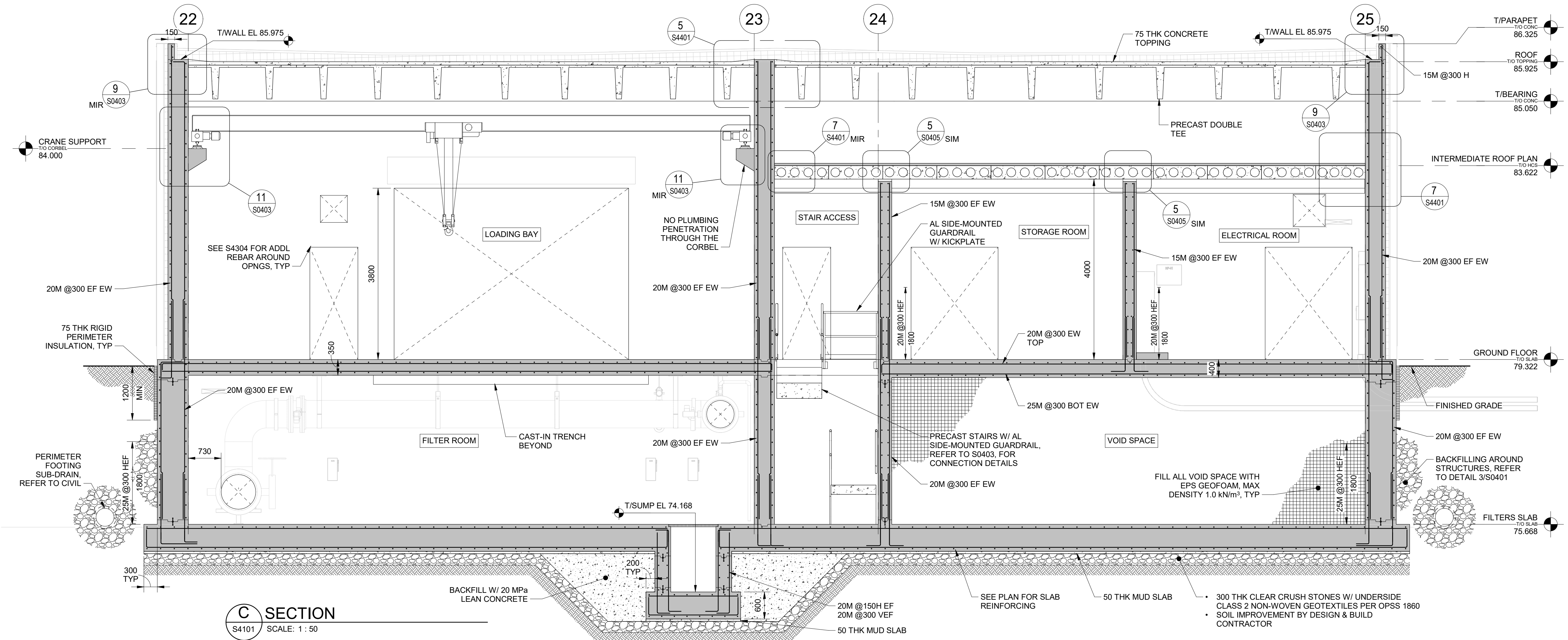
PROJECT:

NEW NAPANEE WPCP

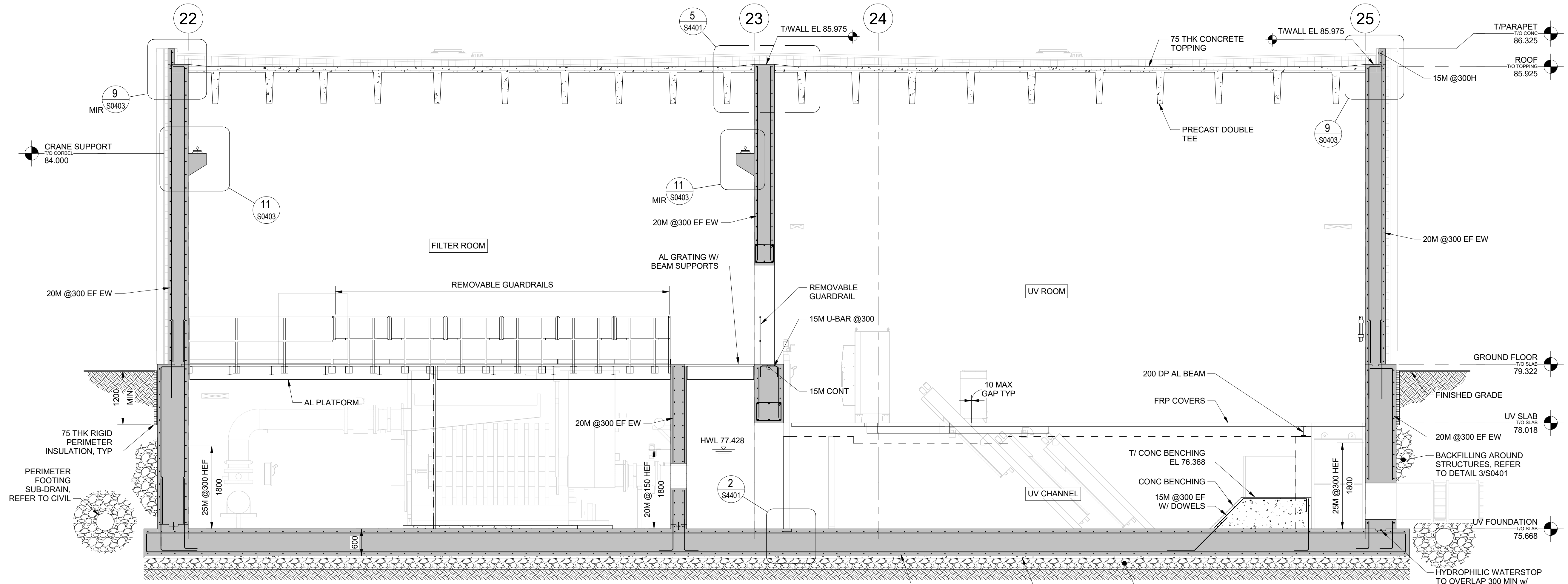
TITLE:

NEW TERTIARY/UV BUILDING -
INTERMEDIATE ROOF AND
ROOF PLAN

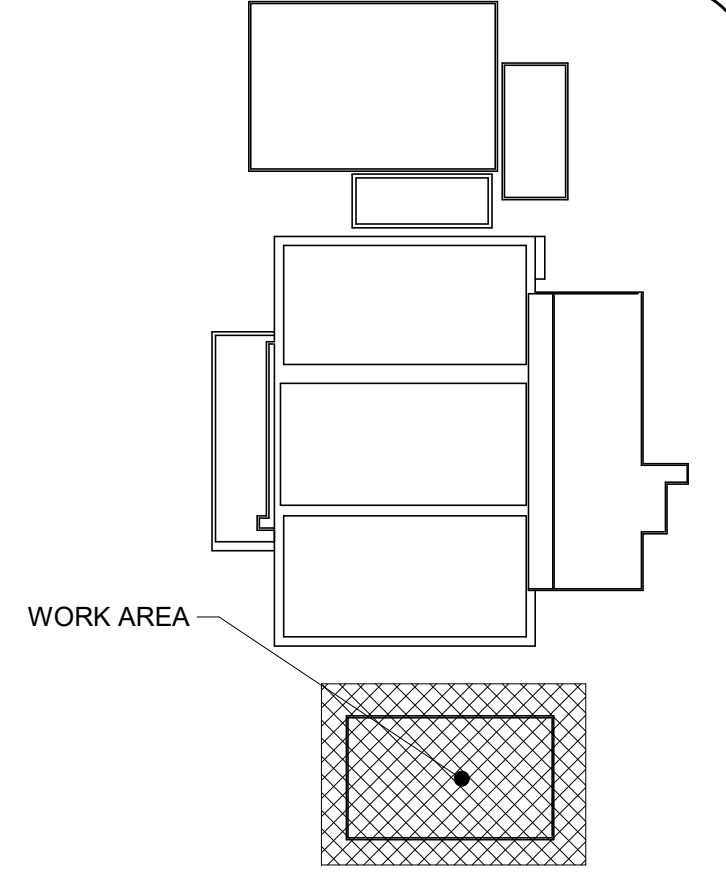
Table with columns for SCALE, JOB NO., DESIGNED BY, DATE, DRAWN BY, DRAWING NO., CHECKED BY, and WC. Includes values like 22001, 2025/01/23, and S4102.



C SECTION
S4101 SCALE: 1:50



D SECTION
S4101 SCALE: 1:50



KEY PLAN

DATE	NO.	REVISION
2025/01/23	2	ISSUED FOR TENDER
2024/08/23	1	ISSUED FOR ECA APPROVAL

THE DRAWINGS, ARRANGEMENTS, ANNOTATIONS AND GRAPHICAL PRESENTATIONS ON THIS DOCUMENT ARE THE PROPERTY OF EVB ENGINEERING WHO RETAINS OWNERSHIP AND AUTHORITY OF THIS DOCUMENT. IN ITS ENTIRETY THIS DOCUMENT IS AN INSTRUMENT OF SERVICE AND IS THE INTELLECTUAL AND PHYSICAL PROPERTY OF EVB ENGINEERING. AUTHORIZED USE OF THIS DRAWING IS GRANTED SOLELY FOR THE PURPOSE OF THIS SPECIFIC PROJECT AND LOCATION, AND NOT FOR CONSTRUCTION OR USE FOR ANY OTHER PROJECT. COPYRIGHT © 2024 EVB ENGINEERING.



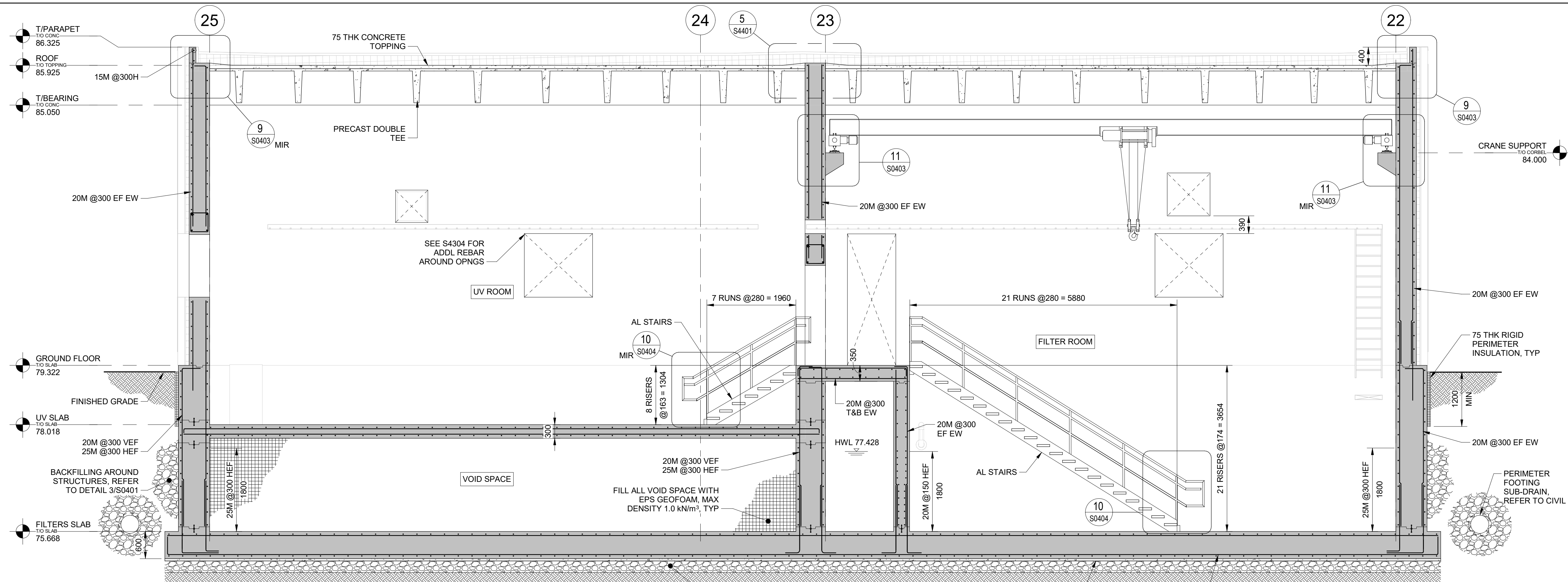
CONSULTANT:
EVB ENGINEERING
 800 SECOND STREET WEST
 CORNWALL, ONTARIO CANADA, K6J 1H6
 TEL: 613-935-3775 | FAX: 613-935-6450
 WEBSITE: EVBengineering.com

SUB-CONSULTANT:
CIMA+
 CLIENT:
Greater Napanee
 (CREATING FOR BARRIERS)

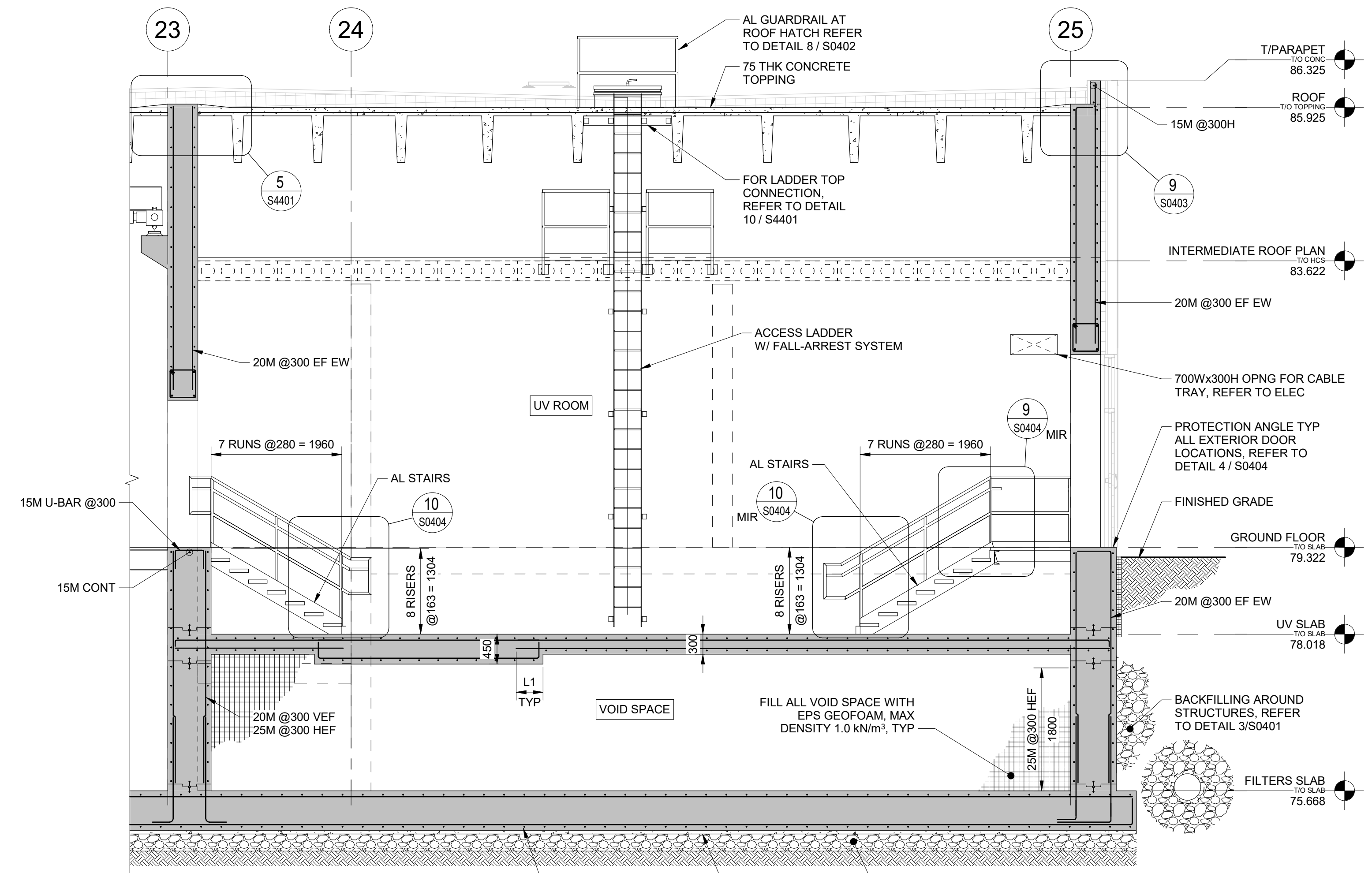
PROJECT:
NEW NAPANEE WPCP
 TITLE:
NEW TERTIARY/UV BUILDING - SECTION SHEET 2

SCALE: As indicated	JOB NO: 22001
DESIGNED BY: YF/WC	DATE: 2025/01/23
DRAWN BY: KDS/ILM	DRAWING NO. S4302
CHECKED BY: WC	

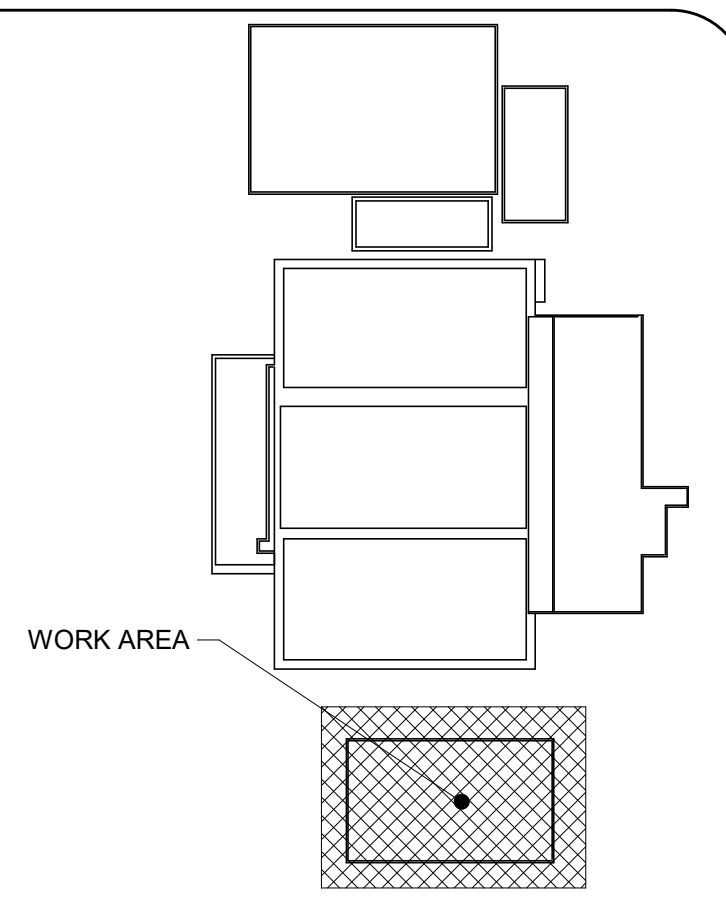
2025-01-22 2:31:44 PM Autodesk Docs: I22001 - Napanee New WPCP/S24 - Napanee WPCP Upgrades Tertiary UV Bldg.rvt



E SECTION
S4101 SCALE: 1 : 50



F SECTION
S4101 SCALE: 1 : 50

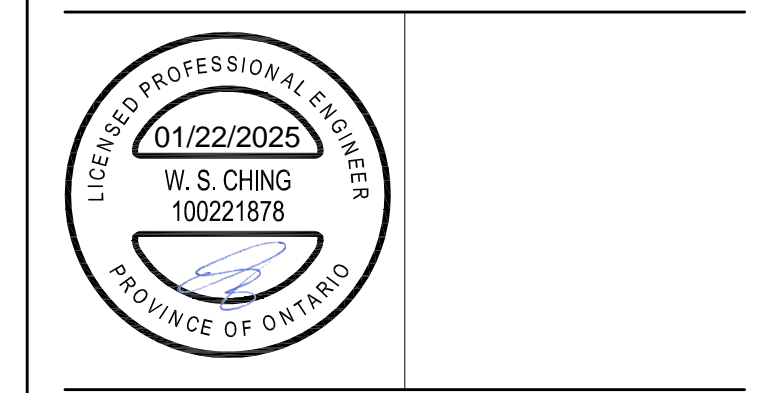


KEY PLAN

NOTES:
1. FOR STAIR DETAILS, REFER TO DWG S0404.

DATE	NO.	REVISION
2025/01/23	2	ISSUED FOR TENDER
2024/08/23	1	ISSUED FOR ECA APPROVAL

THE DRAWINGS, ARRANGEMENTS, ANNOTATIONS AND GRAPHICAL PRESENTATIONS ON THIS DOCUMENT ARE THE PROPERTY OF EVB ENGINEERING WHO RETAINS OWNERSHIP AND AUTHORITY OF THIS DOCUMENT IN ITS ENTIRETY. THIS DOCUMENT IS AN INSTRUMENT OF SERVICE AND IS THE INTELLECTUAL AND PHYSICAL PROPERTY OF EVB ENGINEERING. AUTHORIZED USE OF THIS DRAWING IS GRANTED SOLELY FOR THE PURPOSE OF THIS SPECIFIC PROJECT AND LOCATION, AND NOT FOR CONSTRUCTION OR USE FOR ANY OTHER PROJECT. COPYRIGHT © 2024 EVB ENGINEERING.



CONSULTANT:

 800 SECOND STREET WEST
 CORNWALL, ONTARIO CANADA, K6J 1H6
 TEL: 613-935-3775 | FAX: 613-935-6450
 WEBSITE: EVBengineering.com

SUB-CONSULTANT:

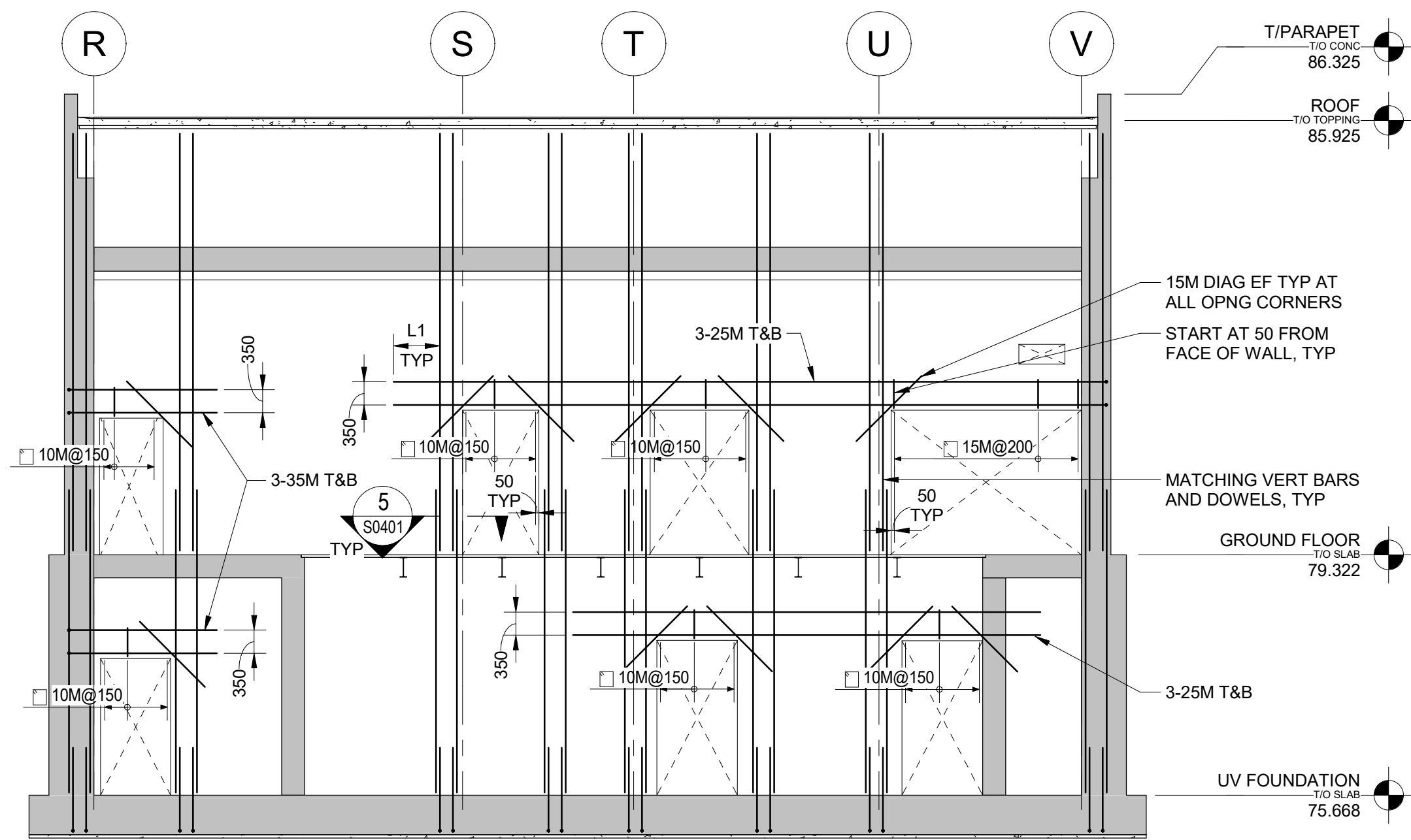
CLIENT:

 Greater Napanee
 Greater for many seasons

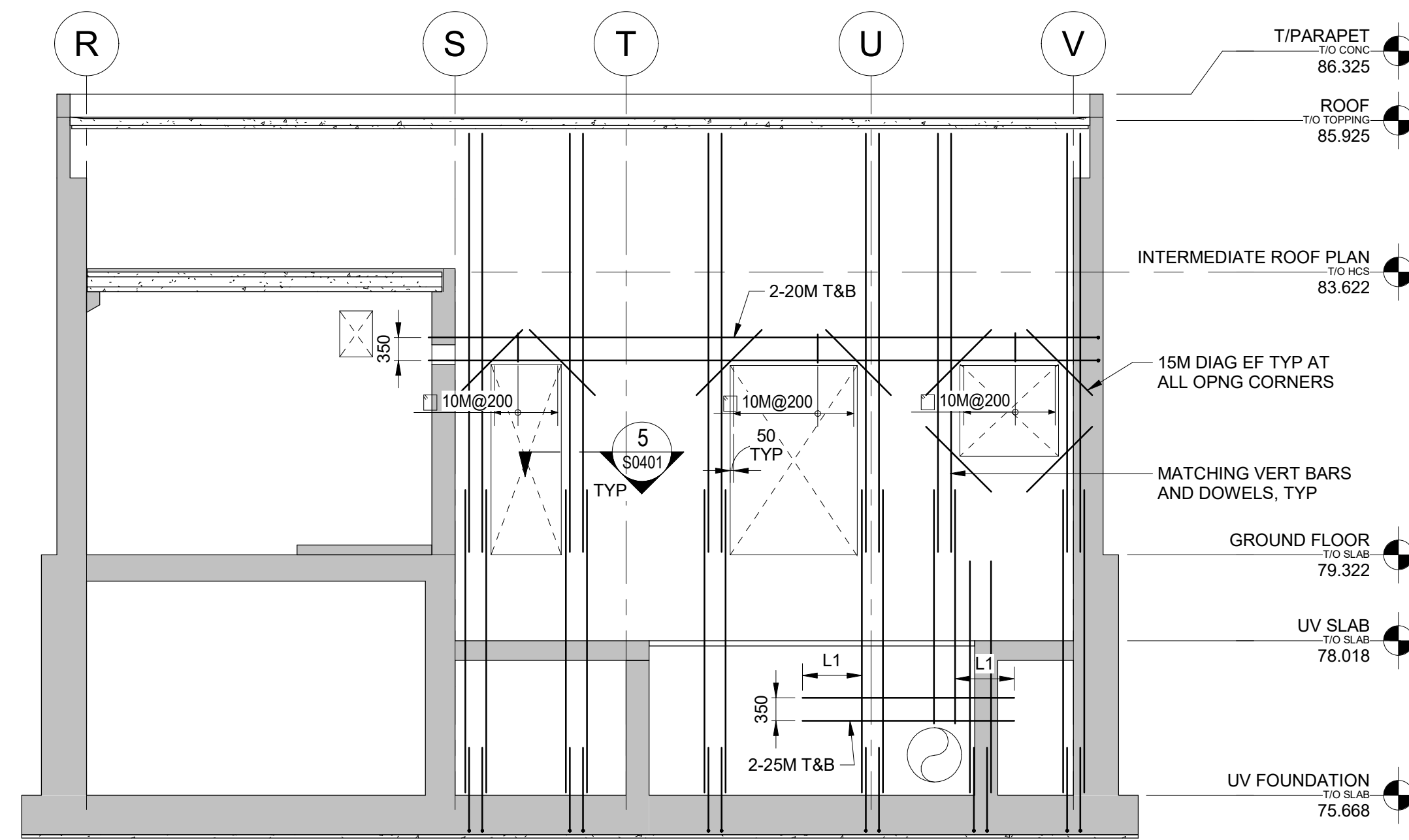
PROJECT:
 NEW NAPANEE WPCP

TITLE:
 NEW TERTIARY/UV BUILDING - SECTION SHEET 3

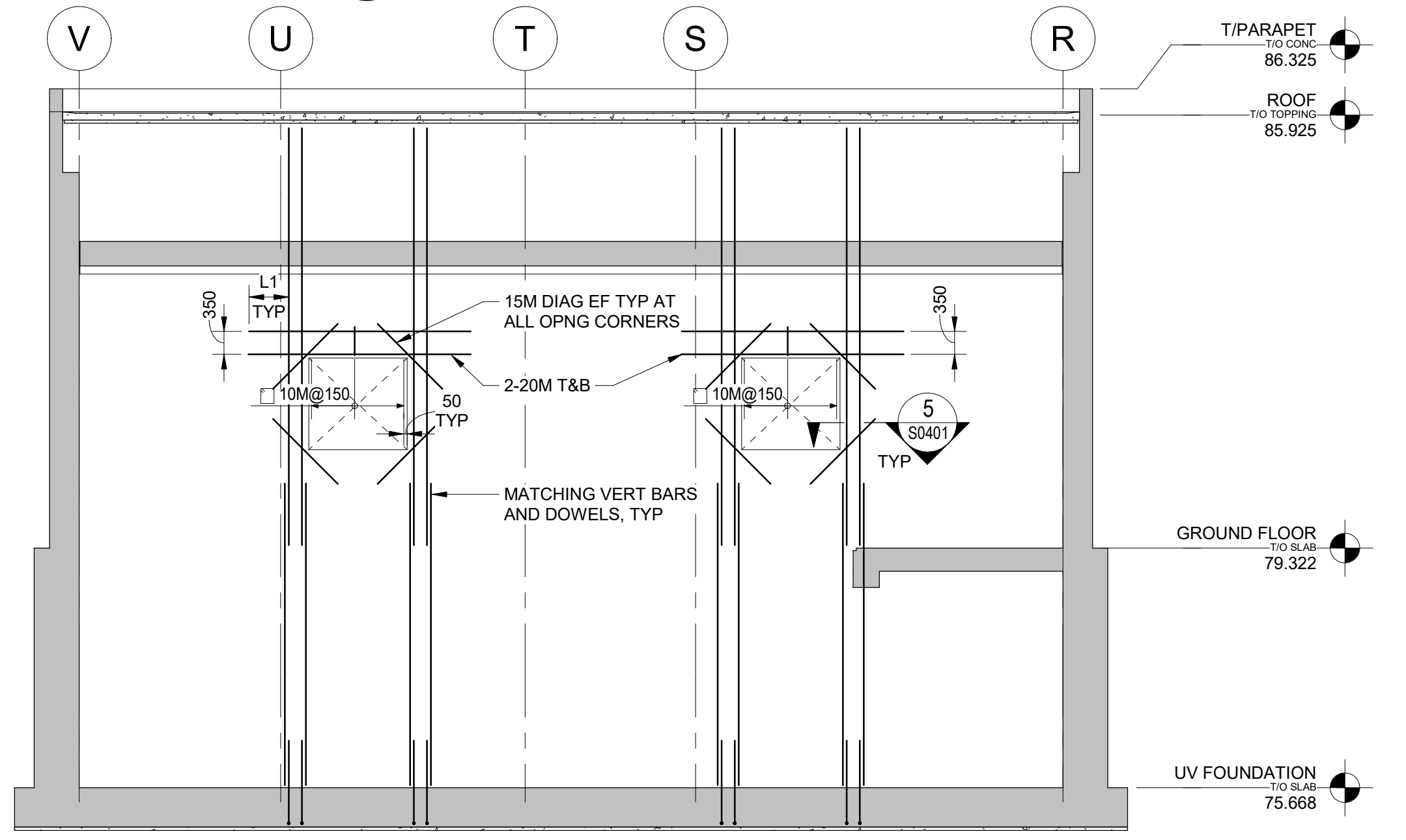
SCALE: As indicated	JOB NO: 22001
DESIGNED BY: YF/WC	DATE: 2025/01/23
DRAWN BY: KDS/ILM	DRAWING NO.:
CHECKED BY: WC	S4303



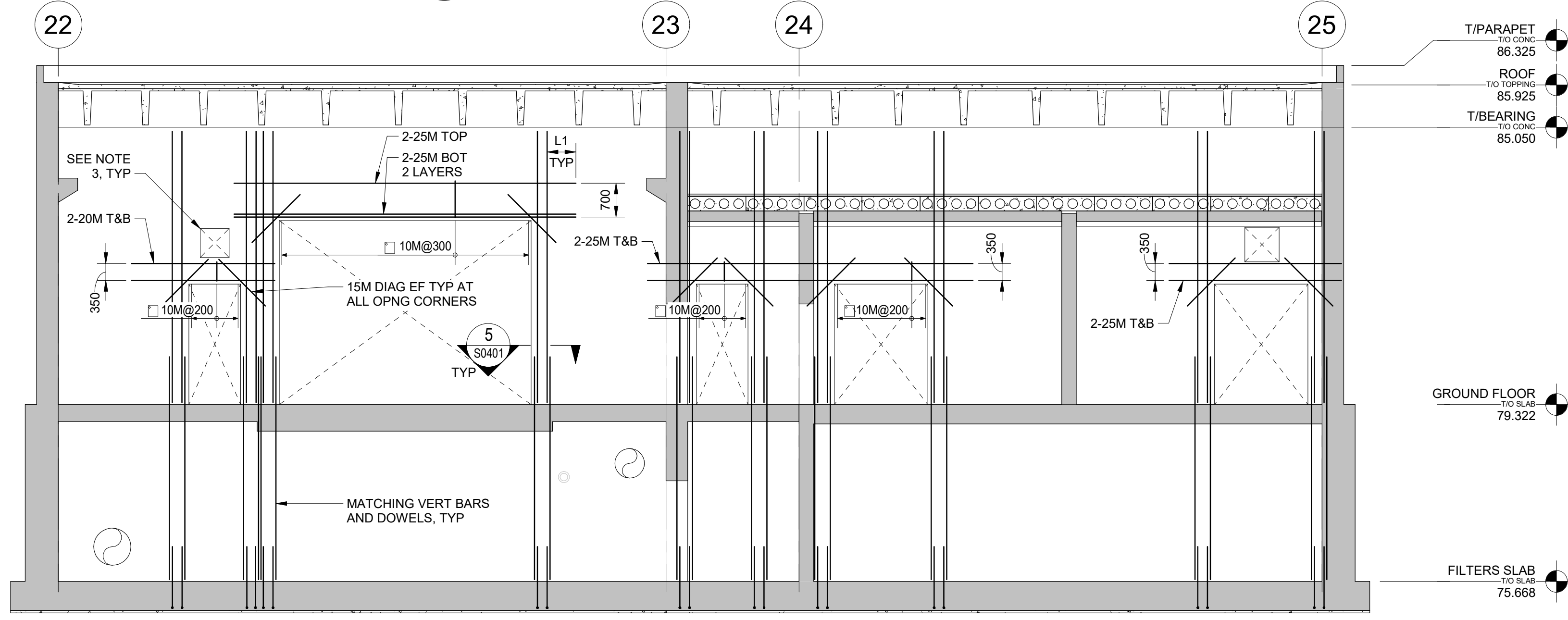
1 ELEVATION GRID 23
SCALE: 1 : 75



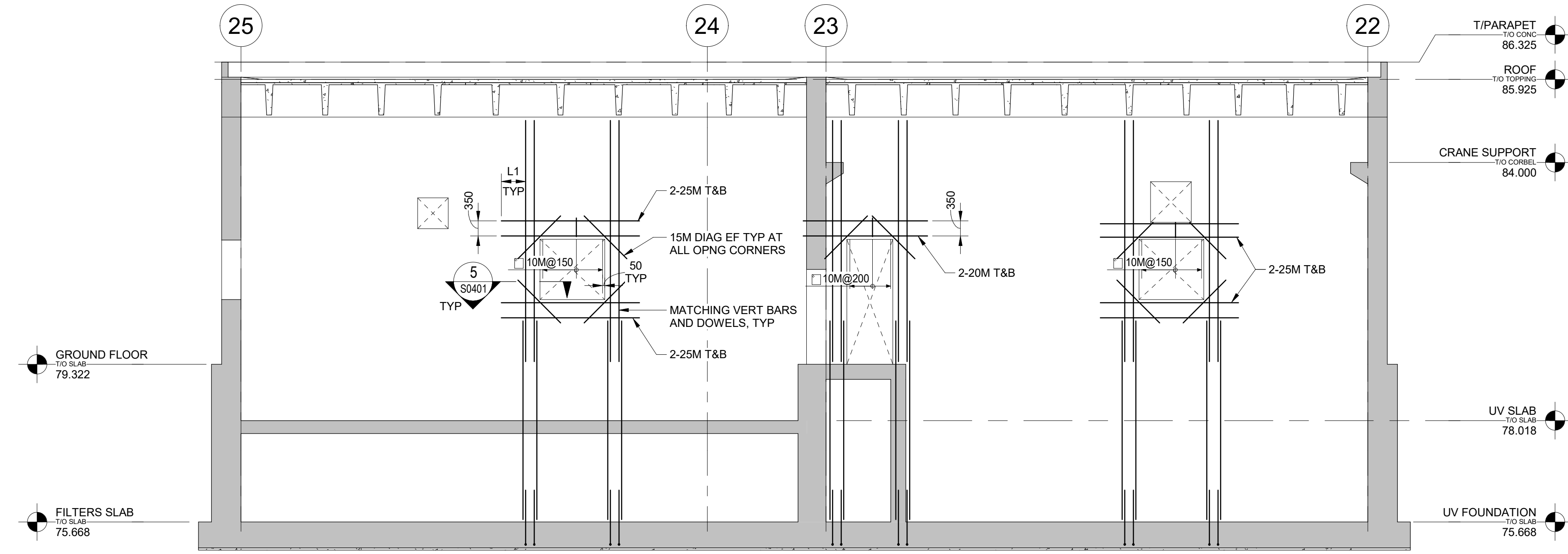
2 ELEVATION GRID 25
SCALE: 1 : 75



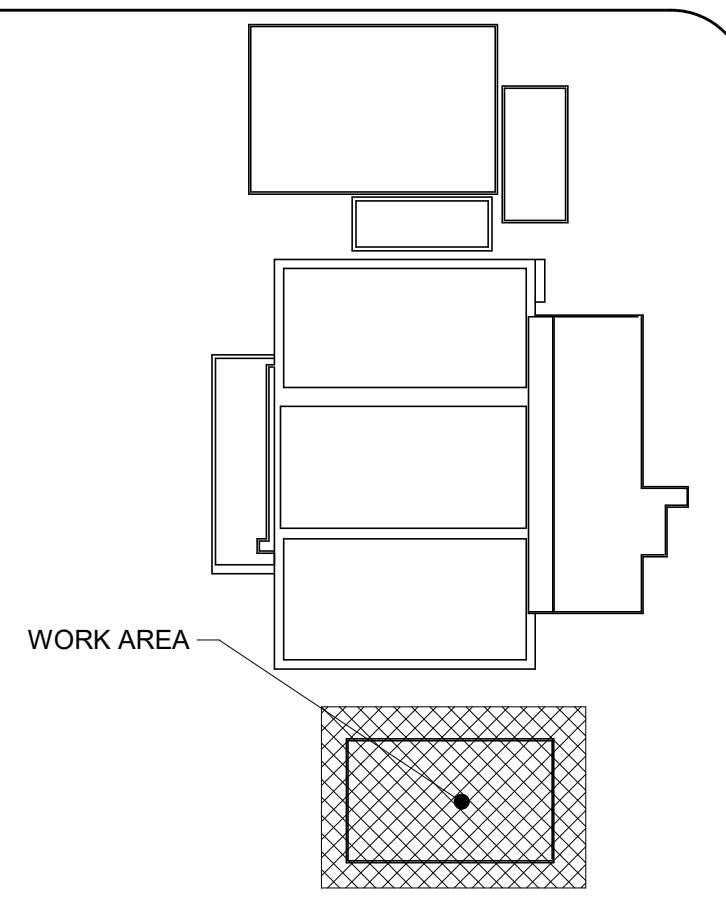
3 ELEVATION GRID 22
SCALE: 1 : 75



4 ELEVATION GRID R
SCALE: 1 : 75



5 ELEVATION GRID V
SCALE: 1 : 75



KEY PLAN

- NOTES:**
1. ALL PENETRATION SIZES AND LOCATIONS SHALL BE COORDINATED WITH PROCESS, MECHANICAL AND ELECTRICAL SUB-TRADES. PROVIDE SLEEVES AS NECESSARY FOR CASTING INTO WALL.
 2. DOOR AND WINDOW OPENINGS SHALL BE COORDINATED WITH THE SUPPLIER.
 3. FOR RECTANGULAR OPENINGS, REFER TO DETAIL 10/S0401 FOR ADTTL BARS.
 4. FOR CIRCULAR OPENINGS, REFER TO DETAIL 11/S0401.
 5. TYPICAL WALL REBAR IS SHOWN ON THE SECTION DRAWINGS.

DATE	NO.	REVISION
2025/01/23	2	ISSUED FOR TENDER
2024/08/23	1	ISSUED FOR ECA APPROVAL



CONSULTANT:
EVB ENGINEERING
 800 SECOND STREET WEST
 CORNWALL, ONTARIO CANADA, K6J 1H6
 TEL: 613-935-3775 | FAX: 613-935-6450
 WEBSITE: EVBengineering.com



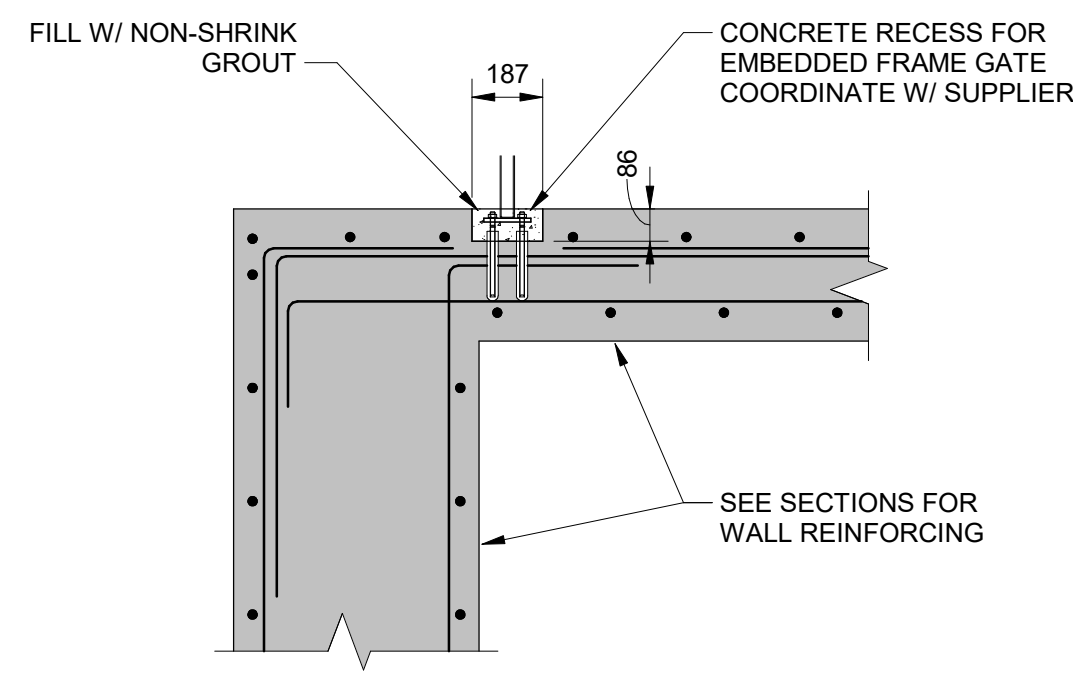
CLIENT:
Greater Napanee
 GREATER FOR BUILT TOGETHER

PROJECT:
NEW NAPANEE WPCP

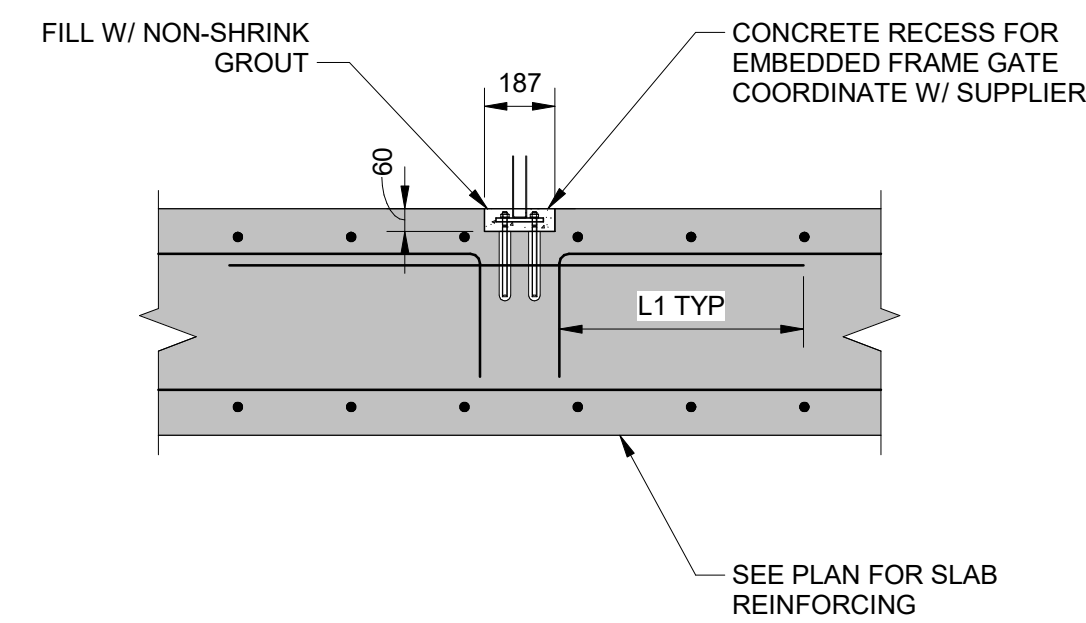
TITLE:
NEW TERTIARY/UV BUILDING - WALL ELEVATION REBAR

SCALE:	JOB NO:
As indicated	22001
DESIGNED BY:	DATE:
YF/WC	2025/01/23
DRAWN BY:	DRAWING NO.:
KDS/ILM	
CHECKED BY:	S4304
WC	

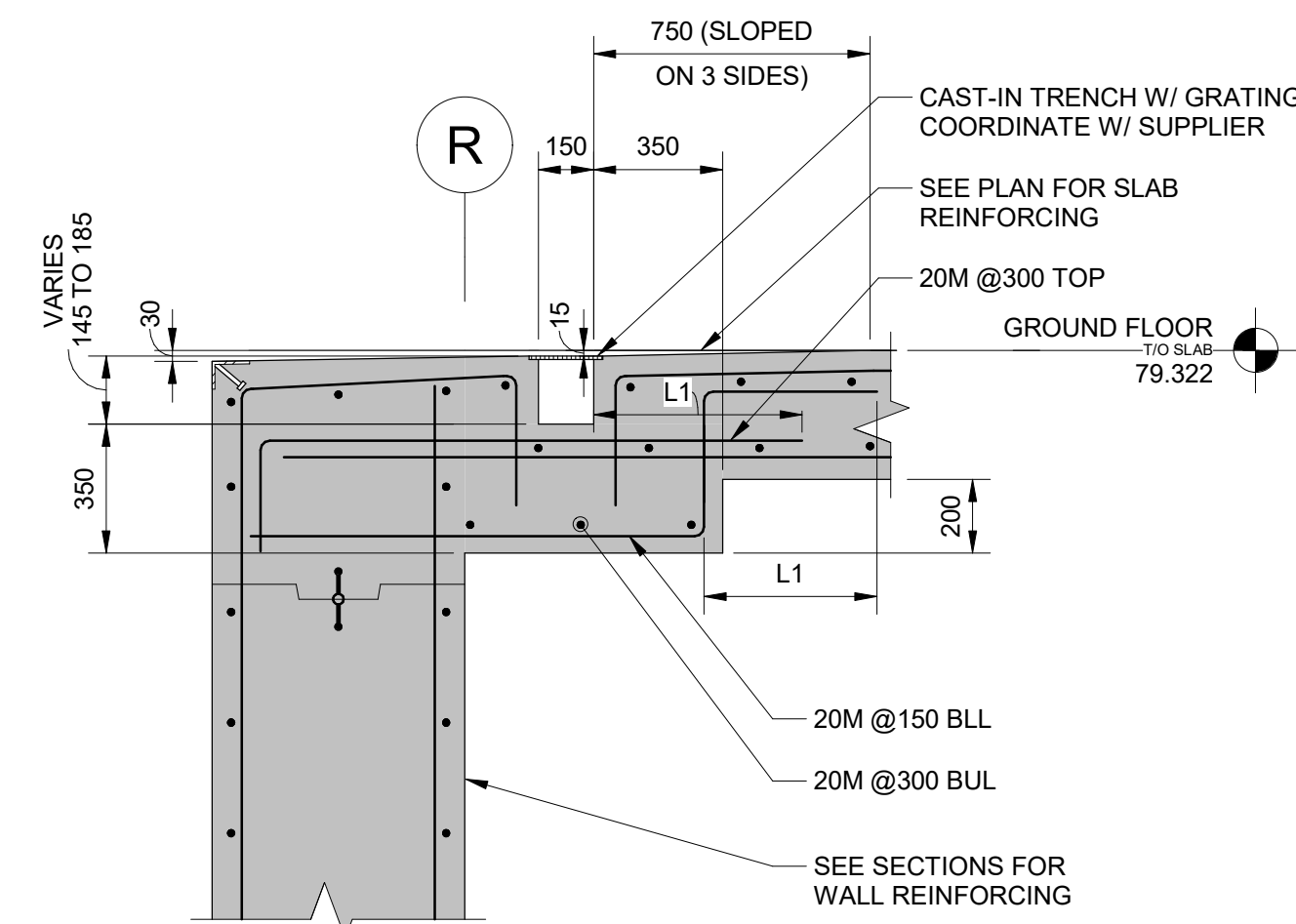
2025-01-22 2:32:04 PM Autodesk Docs: I22001 - Napanee New WPCP/S24 - Napanee WPCP Upgrades Tertiary UV Bldg.rvt



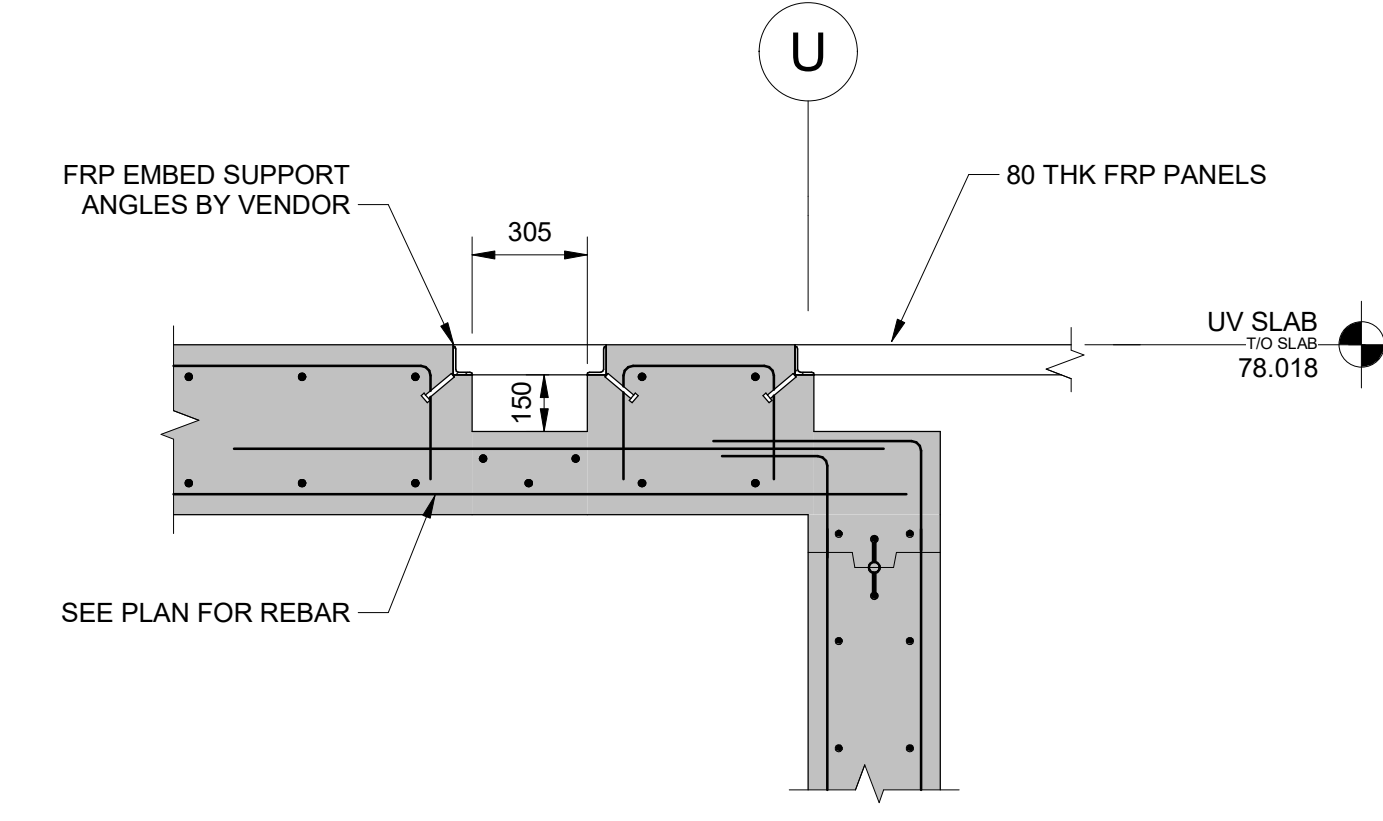
1 FRAME GATE RECESS - WALL
S4101 SCALE: 1 : 20



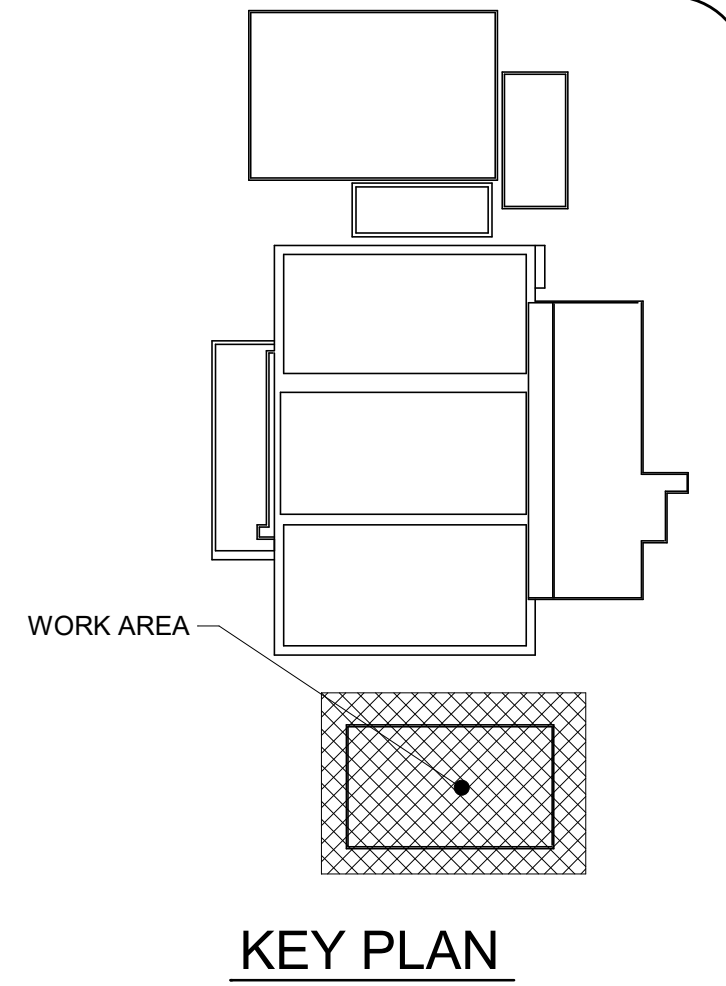
2 SLAB REBAR AT FRAME GATE RECESS
S4302 SCALE: 1 : 20



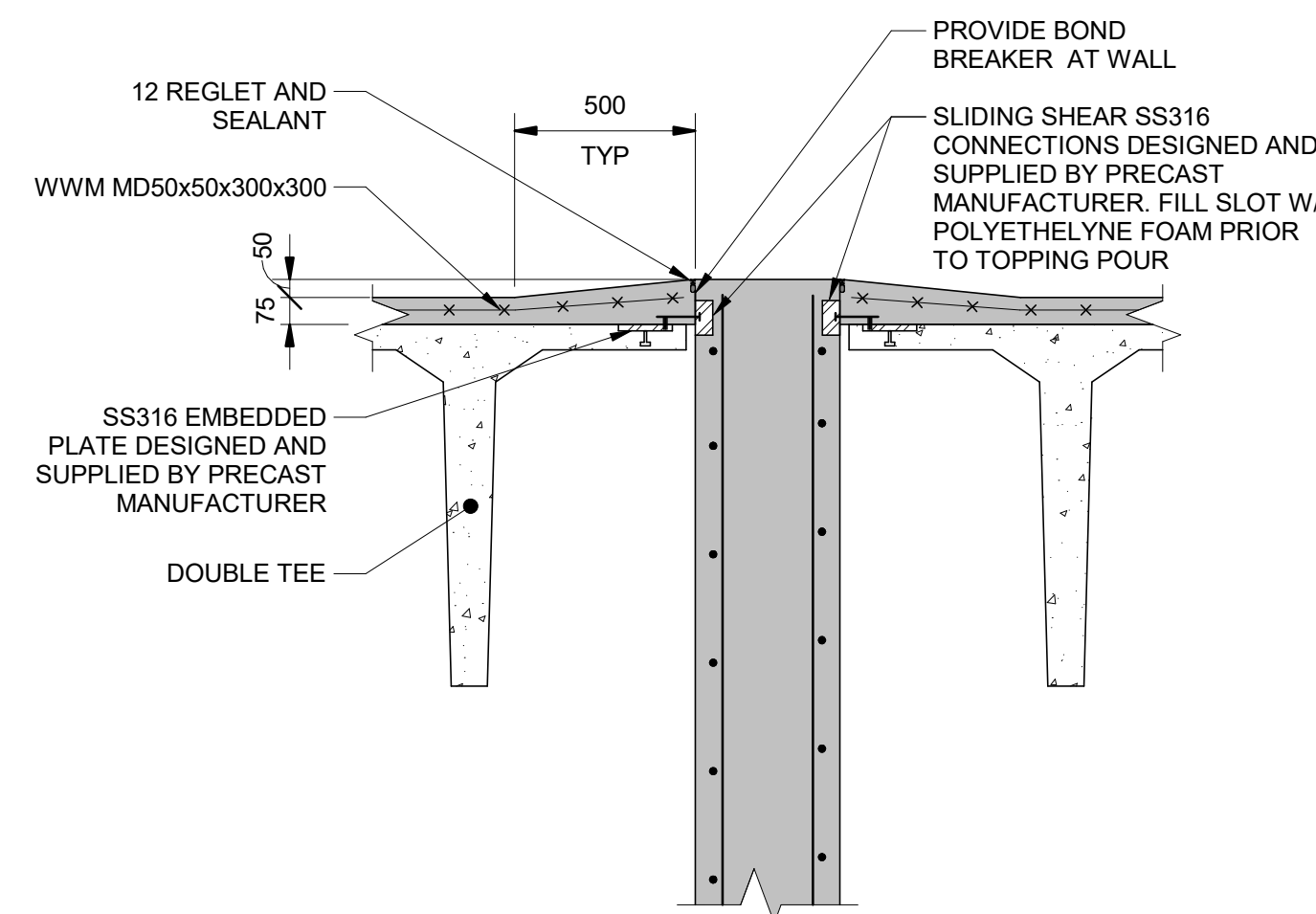
3 SLAB REBAR AT TRENCH DRAIN
S4101 SCALE: 1 : 20



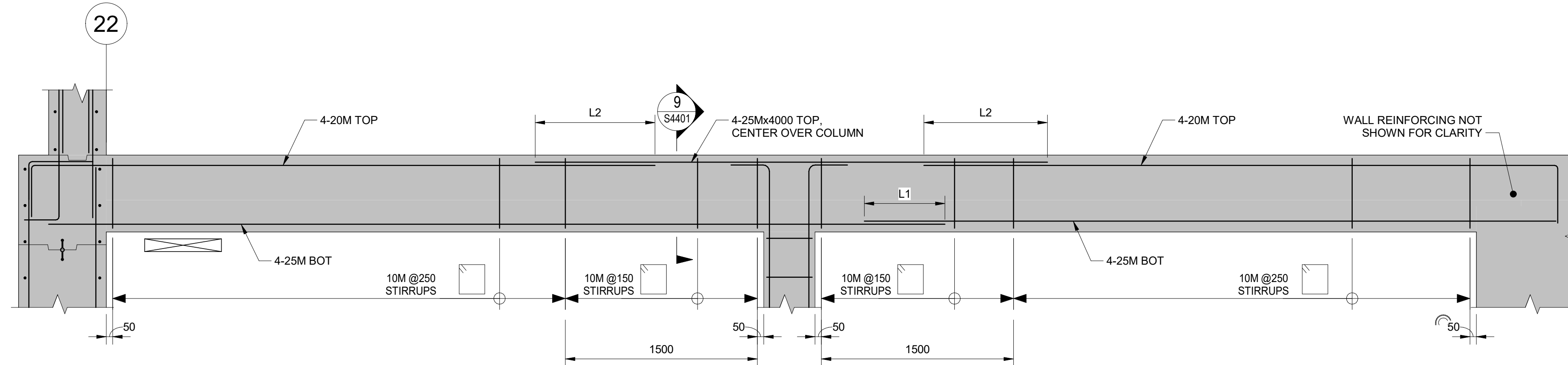
4 SLAB REBAR AT SERVICE TROUGH
S4101 SCALE: 1 : 20



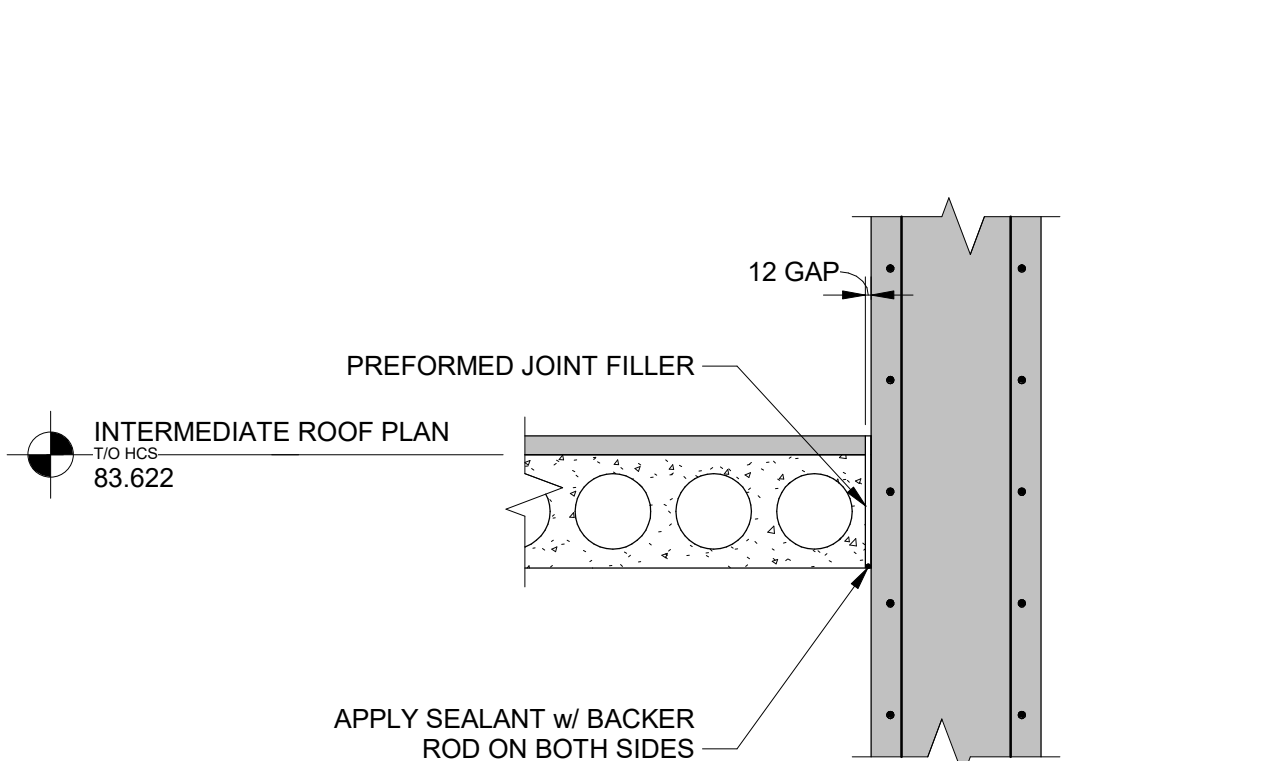
KEY PLAN



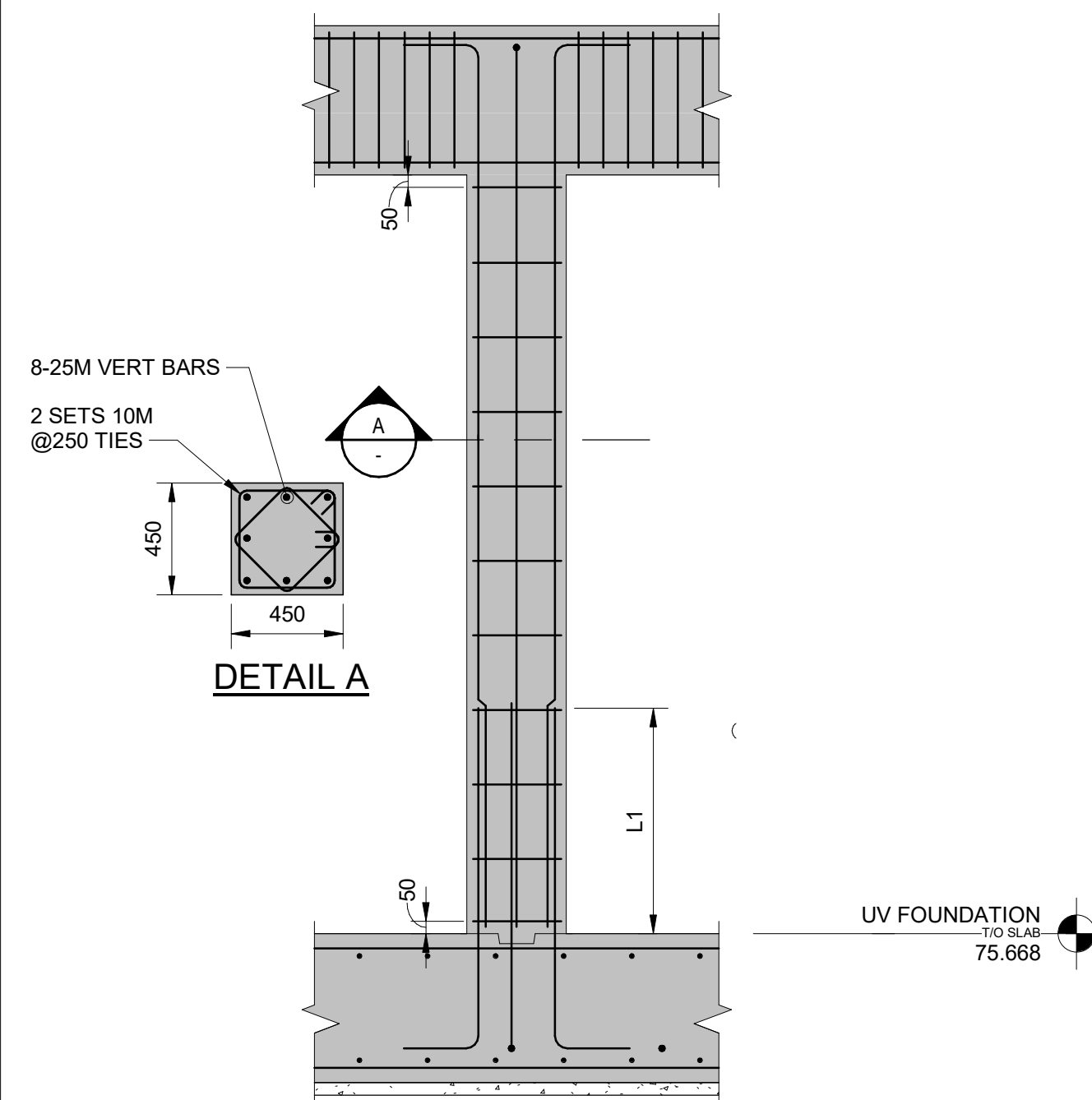
5 PRECAST TEE AT CENTRAL WALL
S4302 SCALE: 1 : 20



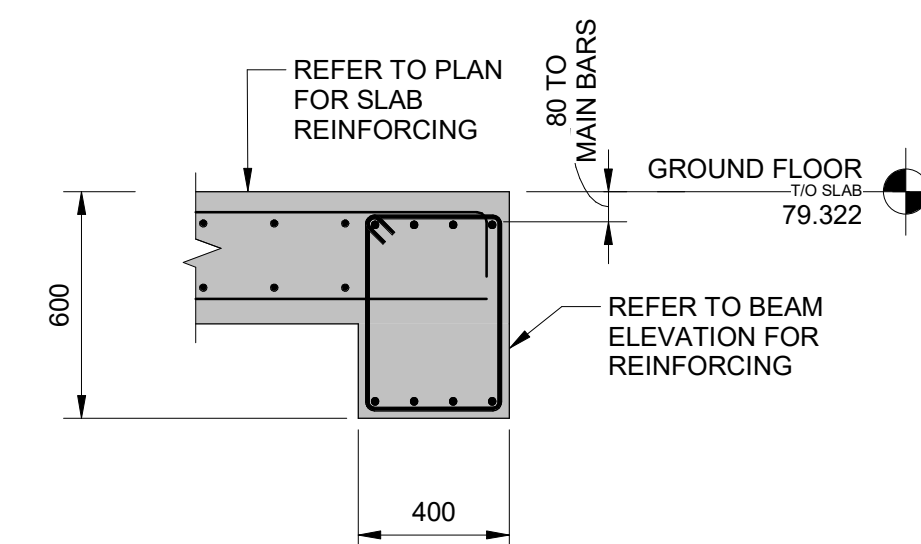
6 BEAM B1 ELEVATION
SCALE: 1 : 25



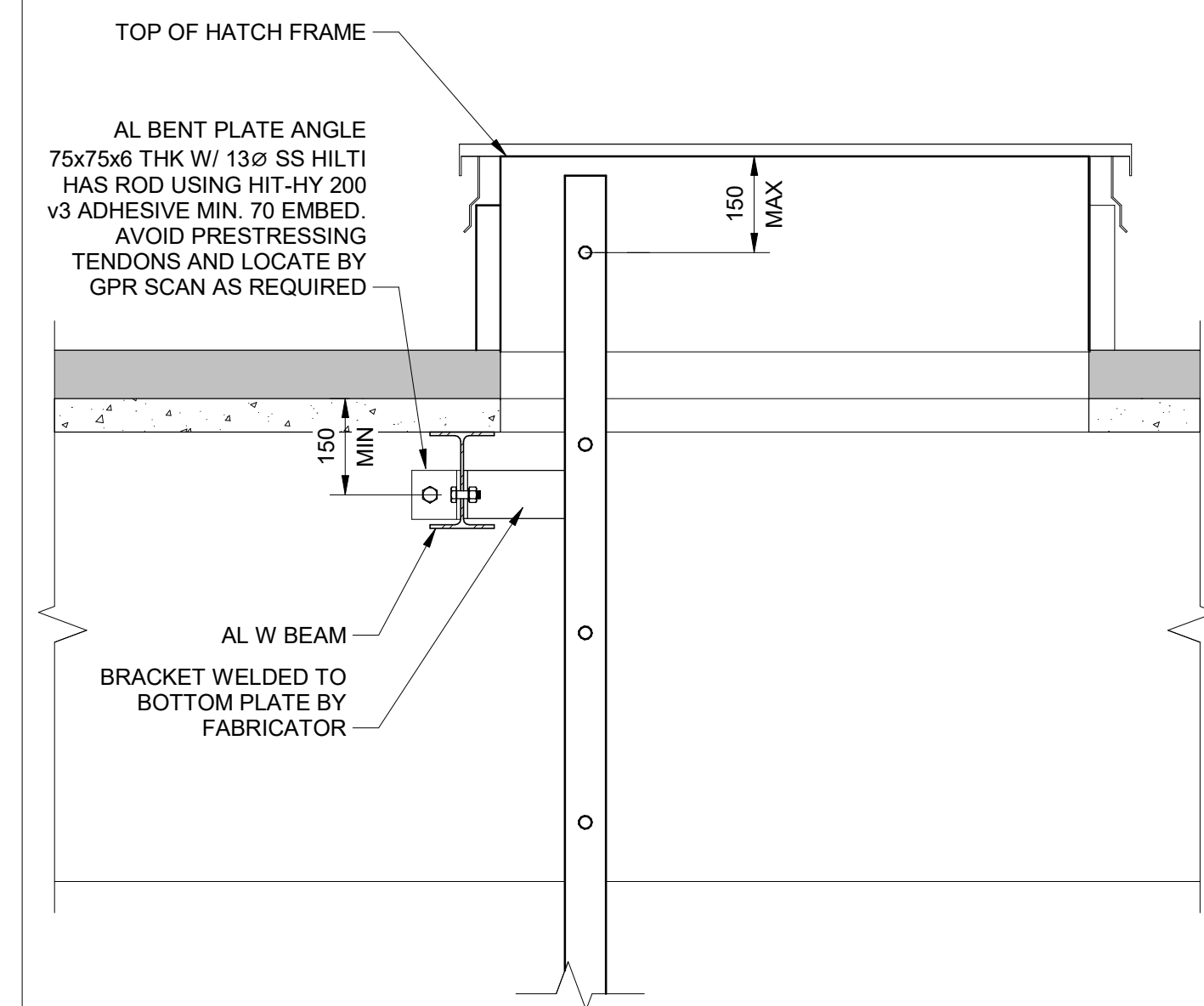
7 HOLLOWCORE SLAB PARALLEL TO WALL
SCALE: 1 : 20



8 COLUMN C1 ELEVATION
SCALE: 1 : 25



9 BEAM B1 DETAIL
S4401 SCALE: 1 : 20



10 LADDER TOP CONNECTION TO PRECAST DOUBLE TEE
SCALE: 1 : 10

DATE	NO.	REVISION
2025/01/23	2	ISSUED FOR TENDER
2024/08/23	1	ISSUED FOR ECA APPROVAL

THE DRAWINGS, ARRANGEMENTS, ANNOTATIONS AND GRAPHICAL PRESENTATIONS ON THIS DOCUMENT ARE THE PROPERTY OF EVB ENGINEERING WHO RETAINS OWNERSHIP AND AUTHORITY OF THIS DOCUMENT IN ITS ENTIRETY. THIS DOCUMENT IS AN INSTRUMENT OF SERVICE AND IS THE INTELLECTUAL AND PHYSICAL PROPERTY OF EVB ENGINEERING. AUTHORIZED USE OF THIS DRAWING IS GRANTED SOLELY FOR THE PURPOSE OF THIS SPECIFIC PROJECT AND LOCATION, AND NOT FOR CONSTRUCTION OR USE FOR ANY OTHER PROJECT. COPYRIGHT © 2024 EVB ENGINEERING.



CONSULTANT:
EVB ENGINEERING
 800 SECOND STREET WEST
 CORNWALL, ONTARIO CANADA, K6J 1H6
 TEL: 613-935-3775 | FAX: 613-935-6450
 WEBSITE: EVBengineering.com

SUB-CONSULTANT:
CIMA+

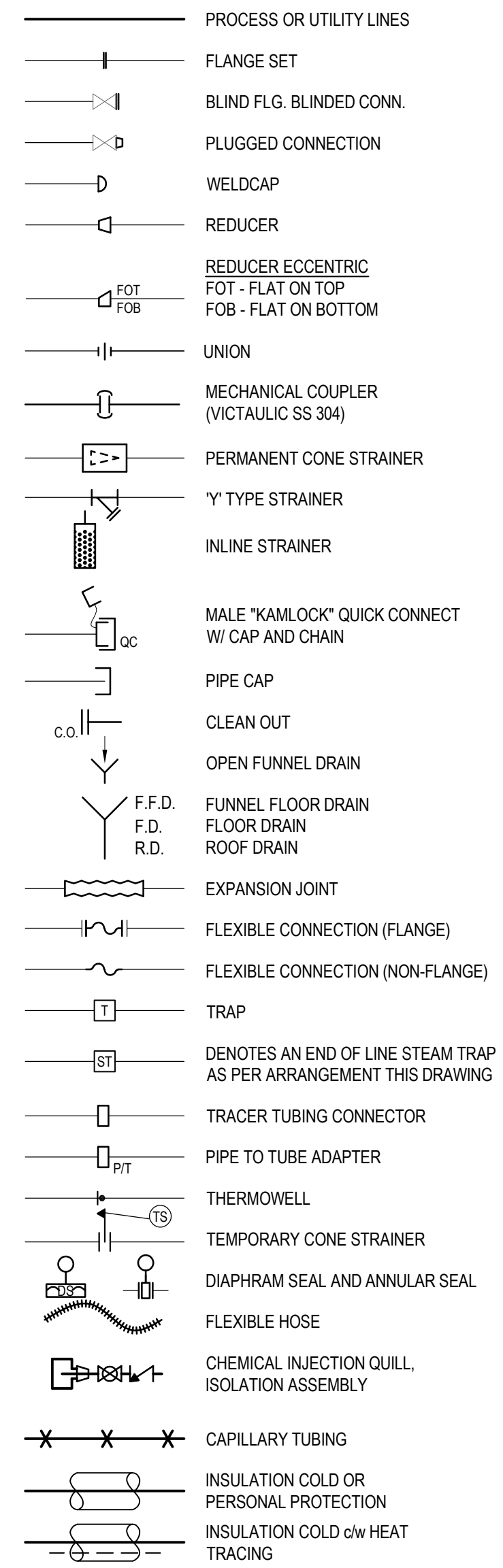
CLIENT:
Greater Napanee
GRANDS FOR BAYWATER REGION

PROJECT:
NEW NAPANEE WPCP

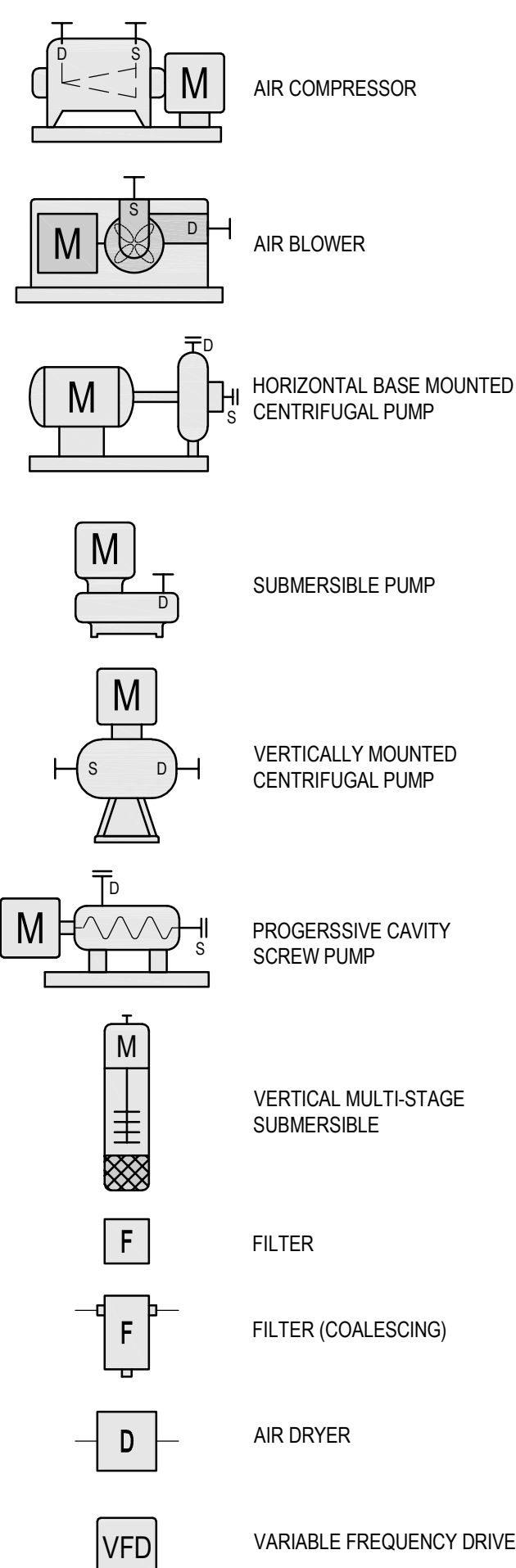
TITLE:
NEW TERTIARY/UV BUILDING - DETAILS, COLUMN AND BEAM ELEVATION

SCALE: As indicated	JOB NO: 22001
DESIGNED BY: YF/WC	DATE: 2025/01/23
DRAWN BY: KDS/ILM	DRAWING NO. S4401
CHECKED BY: WC	

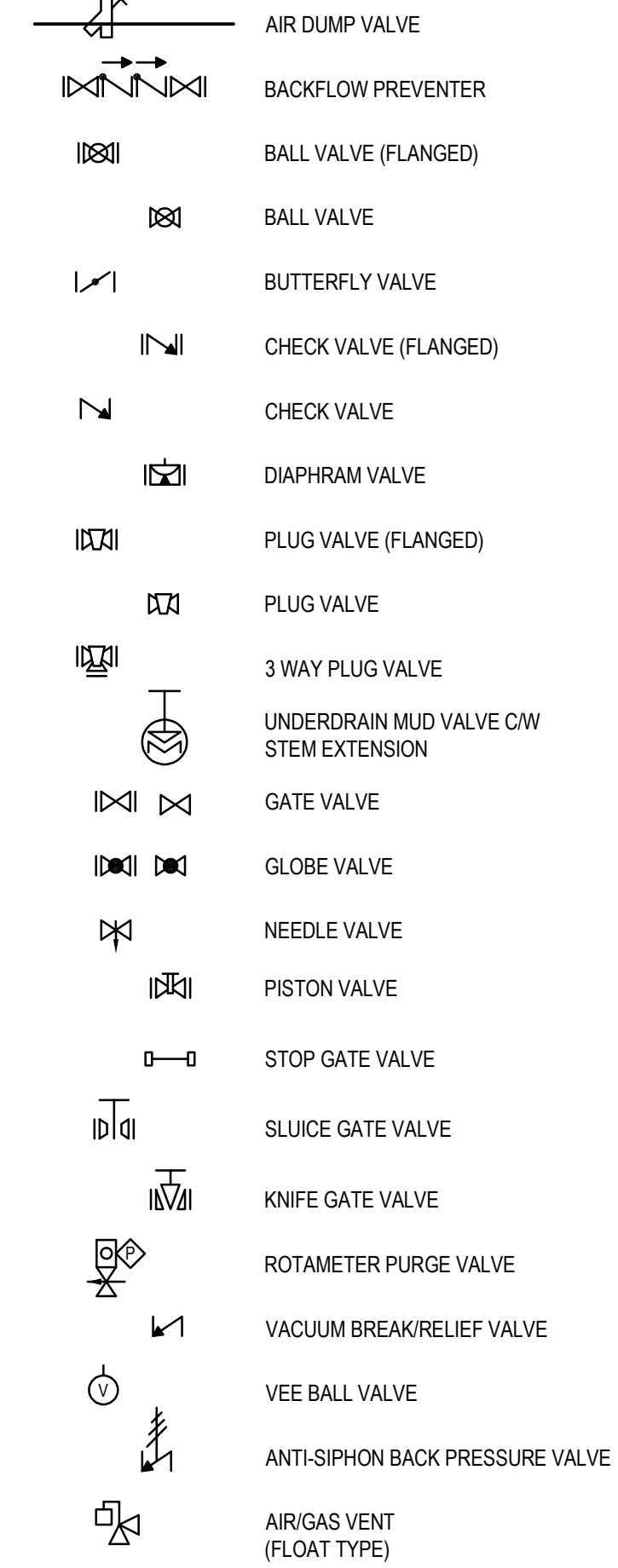
PIPE ACCESSORY SYMBOLS



EQUIPMENT SYMBOLS



MANUAL VALVES SYMBOLS



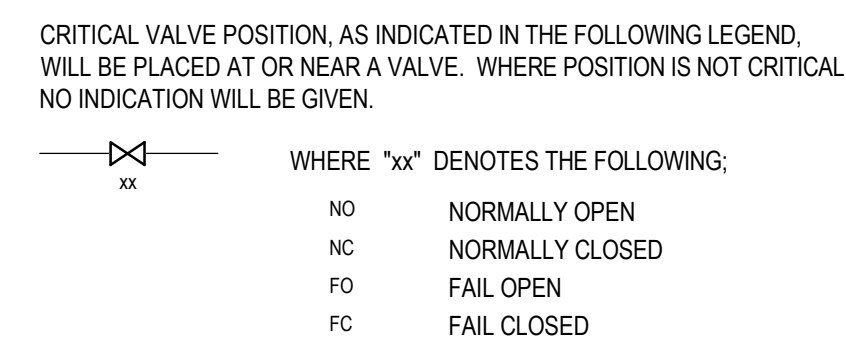
PIPELINE DESIGNATION CHART

SERVICE ABBREVIATION	SERVICE
AA	BLOWER AIR - LOW PRESS.
AL	ALUM
AS	ACTIVATED SLUDGE
BG	BIOGAS
CA	COMPRESSED AIR
CEN	CENTRATE
CHL	SODIUM HYPOCHLORITE
DECHL	SODIUM BISULFITE
DS	DIGESTED SLUDGE
DW	DE-WATER
DWS	DE-WATERED SLUDGE
DRN	DRAIN
EF	EFFLUENT
FLT	FILTRATE
GAS	NATURAL GAS
GS	GRIT SLURRY
HW	HOT WATER
IN	INFLUENT
ML	MIXED LIQUOR
OVF	OVERFLOW
PE	PRIMARY EFFLUENT
POL	POLYMER
PS	PRIMARY SLUDGE
RAS	RETURN ACTIVATED SLUDGE
RCRC	RECIRCULATION MIXING
SCM	SCUM
SE	SECONDARY EFFLUENT
SW	SERVICE WATER
SAN	SANITARY SEWER
SEP	SEPTAGE
SN	SUPERNATANT
TE	TERTIARY EFFLUENT
TWAS	THICKENED WASTE ACTIVATED SLUDGE
V	VENT
WAS	WASTE ACTIVATED SLUDGE

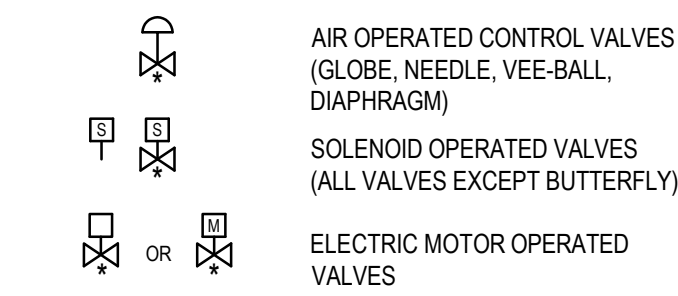
PIPE MATERIAL SPECIFICATION CHART

CONC	MATERIAL
D1	CONCRETE
DI1	DUCTILE IRON
DR1	SDR 25 PVC
DR2	SDR 35 PVC
DR3	DR 17 HDPE
DR4	DR 21 HDPE
GL1	DUCTILE IRON GLASS LINED
PP1	TEFLON TUBING
PP2	POLY ETHYLENE
PVC1	NPS PVC SCH80
SS1	NPS STAINLESS STEEL, TP304L, SCH10S
SS2	NPS STAINLESS STEEL, TP316L, SCH10S
SS3	NPS STAINLESS STEEL, TP304L, SCH40S

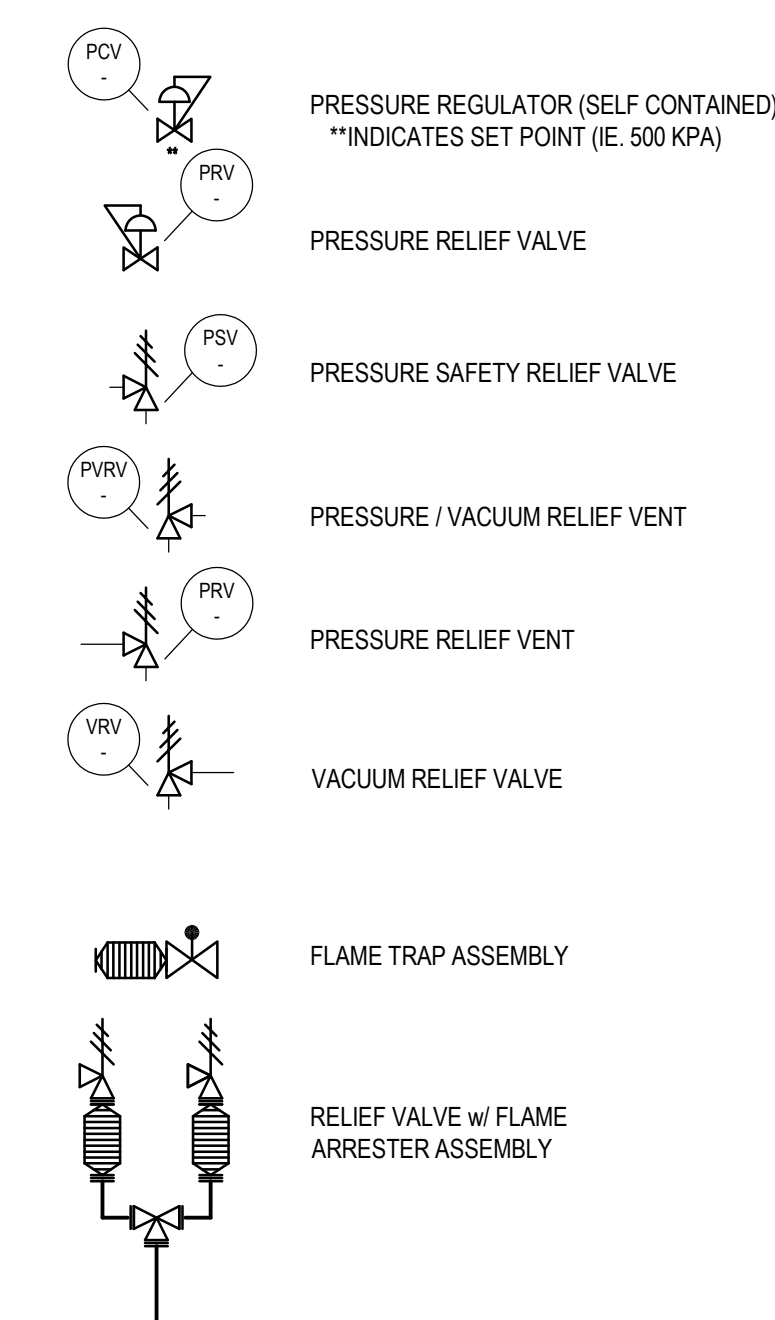
VALVE POSITION LEGEND



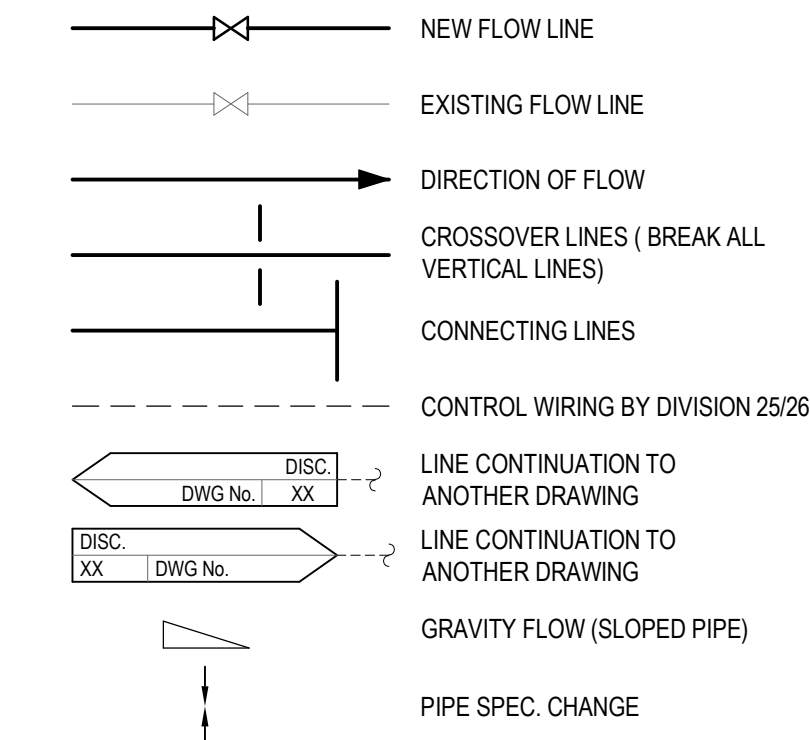
CONTROL/ACTUATED VALVE SYMBOLS



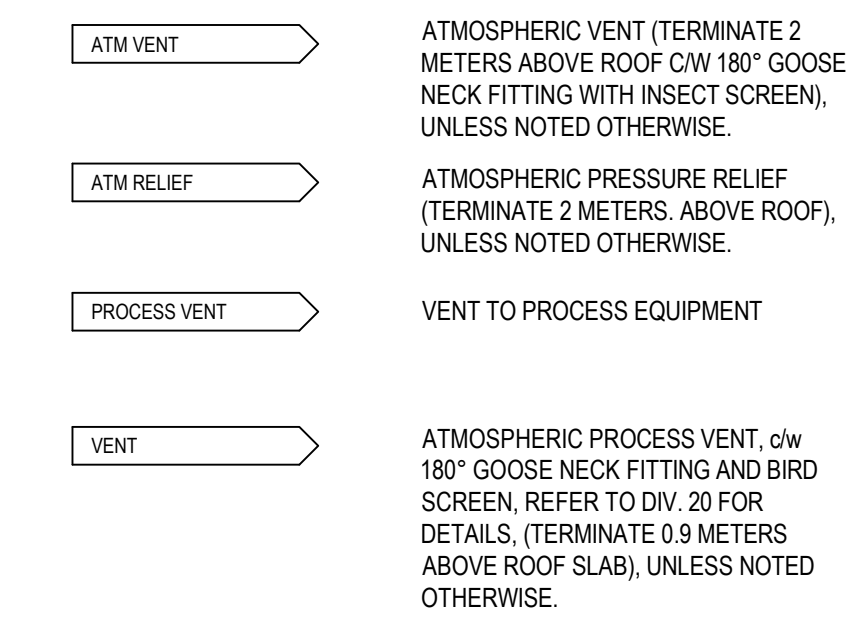
SELF ACTUATED VALVE SYMBOLS



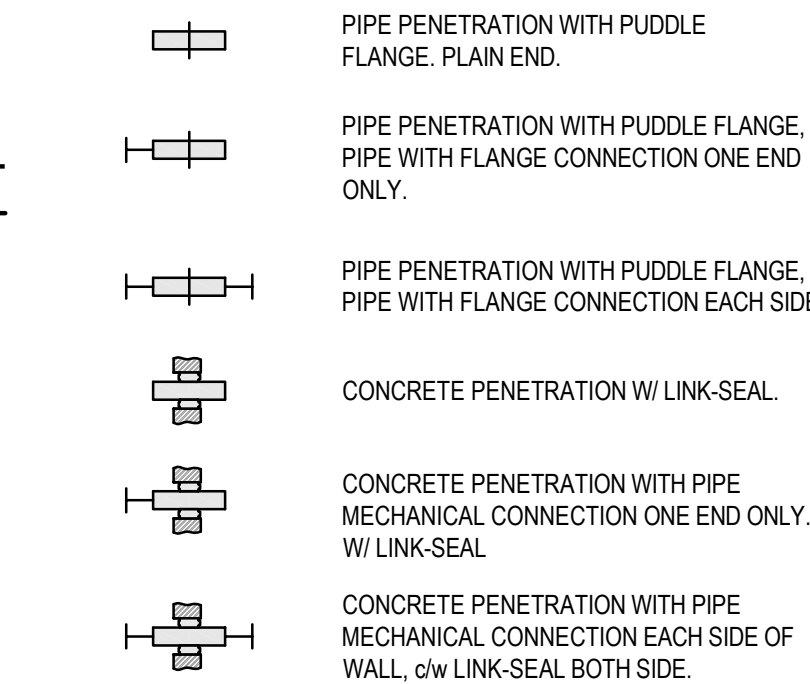
GENERAL SYMBOLS



VENTING SYMBOLS



WALL PENETRATION SYMBOLS



NOTE: WALL PENETRATIONS PROVIDE THE GENERAL INTENT. DEVIATIONS FROM THE ABOVE NOTATIONS ARE INDICATED IN THE DETAIL DRAWINGS. COORDINATION IS REQUIRED.

GENERAL NOTES

- ALL PIPING VENTS ARE 190 EXCEPT AS NOTED.
- ALL PIPING DRAINS ARE 190 EXCEPT AS NOTED.
- ALL EQUIPMENT VENTS AND DRAINS ARE 190 EXCEPT AS NOTED.
- ALL SINGLE BLOCKED DRAINS AND VENTS SHALL BE PLUGGED EXCEPT AS NOTED.
- HIGH POINT VENTS AND LOW POINT DRAINS ARE TO BE PROVIDED, INCLUDING ISOLATION VALVES, CAPS WITH CHAIN.
- WHEN BLIND FLANGES ARE INDICATED ON FLOW SHEETS THE TYPE OF BLIND SHALL MEET THE PIPING SPECIFICATION.
- REFER TO AMERICAN NATIONAL STANDARD ANSISA STANDARD S5.1, "INSTRUMENTATION SYMBOLS AND IDENTIFICATION" FOR SYMBOL NOMENCLATURE.
- REDUCING TEES ON MANIFOLDS MAY NOT BE SHOWN.
- MATERIAL SPECIFICATION CHANGES TO PIPE LINES TO OCCUR IMMEDIATELY AFTER THE VALVE AT THE FLANGE ABUTTING THE VALVE (TYPICAL).
- NOT ALL REDUCERS ARE SHOWN. CONTRACTOR TO DETERMINE REDUCER REQUIREMENTS FROM LINE SIZE CHANGES.
- LINE DESIGNATIONS INCLUDE THE FOLLOWING ITEMS IN ORDER: NOMINAL SIZE IN mm, SERVICE, PIPE MATERIAL SPECIFICATION, PIPE INSULATION TYPE AND TRACING TYPES AS FOLLOWS:
 - A. SIZE _____
 - SERVICE (REFER TO "PIPELINE DESIGNATION CHART" THIS SHEET)
 - PIPING MATERIAL CLASSIFICATION SPEC. (REFER TO "PIPE MATERIAL SPECIFICATION CHART" THIS SHEET)
 - PIPE INSULATION TYPE. (REFER TO LINE "12B" FOR INSULATION TYPES)
 - B. LETTER DESIGNATIONS FOR INSULATION TYPES ON LINE LIST ARE AS FOLLOWS:
 - A - ANTI SWEAT
 - C - COLD CONSERVATION
 - F - FREEZE PROTECTION
 - H - HEAT CONSERVATION
 - S - OPERATION STABILITY
 - PP - PERSONNEL PROTECTION
 - C. LETTER DESIGNATIONS FOR TRACING TYPES ON LINE LIST ARE AS FOLLOWS:
 - E - ELECTRIC
 - W - WATER
- EQUIPMENT IDENTIFICATION EACH PIECE OF EQUIPMENT IN THE PLANT IS ASSIGNED AN ALPHA-NUMERIC THREE DIGIT NUMBER. NUMBERS ARE GROUPED TO DESIGNATE P&ID.
- FOR CLARIFICATION ON P & ID'S, VALVES MAY OR MAY NOT BE SHOWN ABUTTING VESSEL NOZZLES.
- FIELD LOCATE THREADED COUPLINGS FOR INSTRUMENT CONNECTIONS, CO-ORDINATE WITH ELECTRICAL.
- FIELD LOCATE INSTRUMENTATION CONNECTIONS, CO-ORDINATE WITH ELECTRICAL.
- LOCATE THERMOWELLS IN FIELD AS DIRECTED BY OWNER. PROVIDE ADEQUATELY SIZED TEE/ELBOWS AS REQUIRED TO FACILITATE THE INSTALLATION OF THERMOWELLS.
- PROCESS CONTRACTOR SHALL SUPPLY AND INSTALL ALL PIPE PENETRATION SLEEVES THRU WALLS, FLOORS AND/OR TANKS AS REQUIRED FOR INSTALLATION OF INSTRUMENTS. CO-ORDINATE WITH ELECTRICAL CONTRACTOR.
- WHERE TUBING IS SPECIFIED IT SHALL BE O.D., STAINLESS STEEL TYPE, U.N.O. (UNLESS NOTED OTHERWISE).
- GROOVED END, MECHANICAL JOINTS MAY BE SUBSTITUTED FOR THE FLANGED CONNECTIONS WHERE INDICATED.
- UNLESS OTHERWISE SPECIFIED, MINIMUM STRAIGHT PIPE DIAMETER DISTANCE TO INLET/FROM OUTLET OF FLOWMETERS SHOULD BE 10 AND 5 RESPECTIVELY.
- SHALL BE PART OF THE FINE SCREENS SYSTEMS PRESELECTION PACKAGE - CLARO
- SHALL BE PART OF THE VORTEX GRIT REMOVAL PRESELECTION PACKAGE - CLARO
- SHALL BE PART OF THE AEROBIC GRANULAR SLUDGE (AGS) SECONDARY TREATMENT SYSTEM SELECTION PACKAGE - AQUA AEROBIC SYSTEMS INC.
- SHALL BE PART OF THE WASTE SLUDGE THICKENER SYSTEM PRESELECTION PACKAGE - HUBER
- SHALL BE PART OF THE TERTIARY FILTER PRESELECTED PACKAGE - AQUA AEROBIC SYSTEMS INC.
- SHALL BE PART OF THE UV DISINFECTION SYSTEM PRESELECTION PACKAGE - TROJAN
- THE WATER SOURCE SUPPLYING ALL PROCESS CONNECTIONS SHALL BE ISOLATED FROM THE POTABLE WATER SUPPLY BY A REDUCED PRESSURE PRINCIPAL BACK FLOW PREVENTER. BACK FLOW PREVENTERS SHALL BE SUPPLIED AND INSTALLED BY DIV. 20 FOR CONTINUATION OF THE POTABLE WATER SOURCE PIPING. REFER TO MECHANICAL DRAWING.
- "5000" SERIES VALVE IDENTIFICATION TAGS FOR USERS SHALL BE DETERMINED BY CONTRACTOR BASED ON THE QUANTITY REQUIRED AND UTILIZED FOR FINAL AS BUILT CONDITIONS, AS WELL AS TO CREATE THE NECESSARY VALVE LISTS AS REQUIRED BY DESIGN SPECIFICATIONS.

DATE	No.	REVISION
2025/01/23	2	ISSUED FOR TENDER
2024/08/23	1	ISSUED FOR ECA APPROVAL

THE DRAWINGS, ARRANGEMENTS, ANNOTATIONS AND GRAPHICAL PRESENTATIONS ON THIS DOCUMENT ARE THE PROPERTY OF EVB ENGINEERING WHO RETAINS OWNERSHIP AND AUTHORSHIP OF THIS DOCUMENT IN ITS ENTIRETY. THIS DOCUMENT IS AN INSTRUMENT OF SERVICE AND IS THE INTELLECTUAL AND PHYSICAL PROPERTY OF EVB ENGINEERING. AUTHORIZED USE OF THIS DRAWING IS GRANTED SOLELY FOR THE PURPOSE OF THIS SPECIFIC PROJECT AND LOCATION, AND NOT FOR CONSTRUCTION OR USE FOR ANY OTHER PROJECT. COPYRIGHT © 2024 EVB ENGINEERING.



CONSULTANT:
EVB ENGINEERING
 800 SECOND STREET WEST
 CORNWALL, ONTARIO CANADA, K6J 1H6
 TEL: 613-935-3775 | FAX: 613-935-6450
 WEBSITE: EVBengineering.com

SUB-CONSULTANT:
CIMA+

CLIENT:
Greater Napanee
 SPECIAL FOR MANY RESIDUES

PROJECT:
NEW NAPANEE WPCP

TITLE:
GENERAL NOTES, NOMENCLATURE, AND DETAIL

SCALE: N.T.S.	JOB NO: 22001
DESIGNED BY: J.B.	DATE: 2025/01/23
DRAWN BY: K.B.W.	DRAWING NO. P0001
CHECKED BY: J.E.	

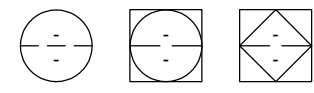
GENERAL INSTRUMENT OR FUNCTION SYMBOLS

	PRIMARY LOCATION ***NORMALLY ACCESSIBLE TO OPERATOR	FIELD MOUNTED	AUXILIARY LOCATION ***NORMALLY ACCESSIBLE TO OPERATOR
DISCRETE INSTRUMENT	1	2	3
SHARE DISPLAY SHARE CONTROL	4	5	6
PROGRAMMABLE LOGIC CONTROL	7	8	9

* SYMBOL SIZE MAY VARY ACCORDING TO USER'S NEED AND TYPE OF DOCUMENT. A SUGGESTED SQUARE AND CIRCLE SIZE FOR LARGE DIAGRAMS IS SHOWN ABOVE. CONSISTENCY IS RECOMMENDED.

** ABBREVIATIONS OF THE USER'S CHOICE SUCH AS IP1 (INSTRUMENT PANEL #1), IC2 (INSTRUMENT CONSOLE #2), CC3 (COMPUTER CONSOLE #3), ETC., MAY BE USED WHEN IT NECESSARY TO SPECIFY INSTRUMENT OR FUNCTION.

*** NORMALLY INACCESSIBLE OR BEHIND-THE-PANEL DEVICES OR FUNCTIONS MAY BE DEPICTED BY USING THE SAME SYMBOLS BUT WITH A DASHED HORIZONTAL BARS, I.E.



INSTRUMENT SYMBOLS TYPES

- IN-LINE DEVICE
- MAGNETIC FLOWMETER
- FLOWMETER
- RESTRICTING ORIFICE
- INTEGRAL ORIFICE SECTION WITH ORIFICE PLATE, FLANGES & PIPE RUN
- ORIFICE PLATE & FLANGES
- PRESSURE GAUGE
- THERMOMETER
- LEVEL SIGHT GLASS
- FLUME
- WIER
- TURBINE OR PROPELLER TYPE PRIMARY ELEMENT
- RUPTURE DISK
- ULTRASONIC/RADAR
- PRESSURE/LEVEL

FLOW

- FAH HIGH - FLOW ALARM
- FAHH HIGH-HIGH - FLOW ALARM
- FAL LOW - FLOW ALARM
- FALL LOW-LOW - FLOW ALARM
- FAHL HIGH-LOW - FLOW ALARM
- FCV FLOW CONTROL VALVE
- FE FLOW ELEMENT (PRIMARY ELEMENT WITHOUT TRANSMITTER)
- FG FLOW SIGHT GLASS
- FI FLOW INDICATOR
- FIC FLOW INDICATING CONTROLLER
- FIT FLOW INDICATING TRANSMITTER
- FO FLOW RESTRICTION ORIFICE
- FOS FLOW TOTALIZER SWITCH (PREDETERMINING COUNTER)
- FQ FLOW INTEGRATOR
- FOI FLOW TOTALIZER INDICATOR
- FR FLOW RECORDER
- FRC FLOW RECORDING CONTROLLER
- FS FLOW SWITCH
- FSH FLOW SWITCH - HIGH SET POINT
- FSL FLOW SWITCH - LOW SET POINT
- FT FLOW TRANSMITTER
- FX FLOW STRAIGHTENING VANES
- FY FLOW SOLENOID VALVE
- FY^{IP} FLOW SIGNAL CONVERTER (CURRENT INPUT/PNEUMATIC OUTPUT)

LEVEL

- LAH HIGH - LEVEL ALARM
- LAHH HIGH-HIGH - LEVEL ALARM
- LAL LOW - LEVEL ALARM
- LALL LOW-LOW - LEVEL ALARM
- LAHL HIGH-LOW - LEVEL ALARM
- LC LEVEL CONTROLLER
- LCV LEVEL CONTROL VALVE
- LE LEVEL ELEMENT
- LG LEVEL GAUGE GLASS
- LI LEVEL INDICATOR
- LIC LEVEL INDICATING CONTROLLER
- LIS LEVEL INDICATING SWITCH
- LIT LEVEL INDICATING TRANSMITTER
- LR LEVEL RECORDER
- LS LEVEL SWITCH
- LSH LEVEL SWITCH - HIGH SET POINT
- LSL LEVEL SWITCH - LOW SET POINT
- LSHL LEVEL SWITCH - HIGH LOW SET POINT
- LT LEVEL TRANSMITTER
- LX LEVEL POTENTIOMETER
- LY LEVEL SOLENOID VALVE
- LY^{IP} LEVEL SIGNAL CONVERTER (CURRENT INPUT/PNEUMATIC OUTPUT)

PRESSURE

- PAH HIGH - PRESSURE ALARM
- PAHH HIGH-HIGH - PRESSURE ALARM
- PAL LOW - PRESSURE ALARM
- PALL LOW-LOW - PRESSURE ALARM
- PAHL HIGH-LOW - PRESSURE ALARM
- PC PRESSURE CONTROLLER
- PCV^(RD) PRESSURE CONTROLLER
- PDSH PRESSURE DIFFERENTIAL SWITCH - HIGH
- PDSL PRESSURE DIFFERENTIAL SWITCH - LOW
- PDI PRESSURE DIFFERENTIAL INDICATOR
- PDT PRESSURE DIFFERENTIAL TRANSMITTER
- PG PRESSURE GAUGE (ANALOG MEASUREMENT)
- PI PRESSURE INDICATOR (DIGITAL MEASUREMENT)
- PIC PRESSURE INDICATING CONTROLLER
- PIT PRESSURE INDICATING TRANSMITTER
- PP PRESSURE TEST POINT
- PR PRESSURE RECORDER
- PRC PRESSURE RECORDING CONTROLLER
- PS PRESSURE SWITCH
- PSE PRESSURE RUPTURE DISK
- PSH PRESSURE SWITCH - HIGH SET POINT
- PSL PRESSURE SWITCH - LOW SET POINT
- PT PRESSURE TRANSMITTER
- PY PRESSURE SOLENOID VALVE
- PY^{IP} PRESSURE SIGNAL CONVERTER (CURRENT INPUT/PNEUMATIC OUTPUT)

TEMPERATURE

- TAH HIGH - TEMPERATURE ALARM
- TAL LOW - TEMPERATURE ALARM
- TCV TEMPERATURE CONTROL VALVE
- TE TEMPERATURE ELEMENT (PRIMARY ELEMENT WITHOUT TRANSMITTER)
- TG TEMPERATURE GAUGE (ANALOG MEASUREMENT)
- TI TEMPERATURE INDICATOR (DIGITAL MEASUREMENT)
- TIC TEMPERATURE INDICATING CONTROLLER
- TIT TEMPERATURE TRANSMITTER (LOCAL INDICATION)
- TJI MULTIPOINT TEMPERATURE INDICATOR (SCANNING TEMPERATURE INDICATOR)
- TJR MULTIPOINT TEMPERATURE RECORDER (SCANNING TEMPERATURE RECORDER)
- TP TEMPERATURE TEST POINT
- TR TEMPERATURE RECORDER
- TRC TEMPERATURE RECORDING CONTROLLER
- TSH TEMPERATURE SWITCH - HIGH SET POINT
- TSL TEMPERATURE SWITCH - LOW SET POINT
- TS TEMPERATURE SWITCH
- TT TEMPERATURE TRANSMITTER
- TW THERMOWELL (WITHOUT THERMOCOUPLE)
- TZ TEMPERATURE FINAL CONTROL ELEMENT (DAMPER OPERATOR FOR LOUVERS)

MISCELLANEOUS

- AAH HIGH - ANALYZING ALARM
- AE ANALYZING ELEMENT
- AIT ANALYZING TRANSMITTER (LOCAL INDICATION)
- AT ANALYZING TRANSMITTER
- ESL LOW - VOLTAGE SWITCH
- HC HAND CONTROLLER (MANUAL LOADING STATION)
- HIC HAND INDICATING CONTROLLER (MANUAL LOADING STATION WITH OUTPUT GAUGE)
- HS HAND SELECTOR SWITCH
- HMS HAND MOMENTARY SWITCH
- HS HAND SWITCH
- HSS HAND SAFETY SWITCH (EMERGENCY STOP)
- IE ELECTRICAL CURRENT SENSING ELEMENT
- JS POWER SWITCH (MOTOR STARTER)
- JK POWER CONTROL STATION (MOTOR CONTROLS)
- KC TIME SEQUENCING PROGRAMMER
- KGS TIME DELAY SWITCH
- MI MOTION INDICATION
- MS MOTION SWITCH
- MN MOTOR RUNNING STATUS
- MNF MOTOR RUNNING FORWARD
- MNR MOTOR RUNNING REVERSE
- QE QUANTITY SENSING ELEMENT
- QIC QUANTITY INDICATING CONTROLLER
- SC SPEED CONTROL - VARIABLE
- SCH SPEED CONTROL - HIGH SETTING
- SCL SPEED CONTROL - LOW SETTING
- VAH VIBRATION ALARM - HIGH SET POINT
- VS VIBRATION SWITCH
- WR WEIGHT RECORDER
- WS TORQUE SWITCH
- WAH TORQUE ALARM - HIGH SET POINT
- WAHH TORQUE ALARM - HIGH-HIGH SET POINT
- XV UNCLASSIFIED VALVE
- YA EVENT / STATE / PRESENCE ALARM
- YI EVENT / STATE / PRESENCE INDICATOR
- YL EVENT / STATE / PRESENCE PILOT LIGHT
- YS EVENT / STATE / PRESENCE SWITCH
- ZA POSITION ALARM
- ZS POSITION SWITCH (LIMIT SWITCH)
- ZSC DOOR SWITCH, CLOSED

PLC I/O

- DI DIGITAL INPUT
- DO DIGITAL OUTPUT
- AI ANALOG INPUT
- AO ANALOG OUTPUT
- EI INPUT OVER ETHERNET
- EO OUTPUT OVER ETHERNET

INSTRUMENT SYMBOL NOTES

- INDICATES LOCATION OF INSTRUMENT / DEVICE
- INDICATES TYPE OF ELEMENT, SEE TABLES BELOW

ANALYSIS

- AIR = EXCESS AIR
- CH4 = METHANE
- CO = CARBON MONOXIDE
- DO = DISSOLVED OXYGEN
- H2S = HYDROGEN SULFIDE
- O2 = OXYGEN
- ORP = OXIDATION REDUCTION
- pH = HYDROGEN ION
- TSS = TOTAL SUSPENDED SOLIDS
- TUR = TURBIDITY
- UVT = ULTRAVIOLET TRANSMITTANCE

FLOW

- MAG = ELECTROMAGNETIC
- THER = THERMAL MASS
- US = ULTRASONIC

LEVEL

- CON = CONDUCTIVITY
- HSP = HYDROSTATIC PRESSURE
- RAD = RADAR
- US = ULTRASONIC

INSTRUMENT IDENTIFICATION

DEVICE	MEASURED OR INITIATING VARIABLE	PRIMARY ELEMENT, SENSOR	TRANSMITTER	INDICATING TRANSMITTER	INDICATOR	RECORDER	CONTROLLER	CONTROLLER (NOTE 2)	RECORDING CONTROLLER	INDICATING SWITCH (NOTE 2)	TRIGGER COMPUTATION	ALARM (NOTE 2)	GLASS GAUGE, VIEWING DEVICE	PILOT LIGHT (NOTE 2)
ANALYSIS (NOTE 1)		AE	AT	AIT	AI	AR	ARC	AJC	AJRC	AS	ASIS	AT	AA	AL
ANALYSIS RATIO		ARI	ART	ART	ARI	ARR	ARRC	AJRC	AJRC	AS	ASIS	AT	AA	AL
ANALYSIS SCAN		AJE	AJT	AJT	AJI	AJR	AJRC	AJRC	AJRC	AS	ASIS	AT	AA	AL
ANALYSIS INSTANTANEOUS (MOMENTARY)		AME	AME	AME	AME	AME	AME	AME	AME	AS	ASIS	AT	AA	AL
CONDUCTIVITY/RESISTIVITY		CE	CT	CIT	CI	CR	CC	CIC	CRC	CS	CIS	CT	CA	CL
CONDUCTIVITY RATIO					CFI	CFR	CFC	CFRC	CFRC	CS	CIS	CT	CA	CL
VOLTAGE		EI	ER	ERC	EC	EC	EC	EC	EC	ES	ES	EY	EA	EL
FLOW RATE		FE	FT	FT	FI	FR	FC	FC	FC	FS	FIS	FY	FA	FL
FLOW RATIO					FFI	FFR	FFC	FFRC	FFRC	FS	FIS	FY	FA	FL
FLOW QUANTITY					FOI					FOS	FOIS	FOA		FO
HAND (MANUAL)							HC	HIC		HS	HIS	HY		HL
CURRENT		IT	II	IR						IS	IS	IY	IA	IL
POWER					JI	JR				JS	JIS	JY	JA	JL
TIME					KI	KR				KS	KIS	KY	KA	KL
TIME QUANTITY										KQS	KOIS	KQA		KQ
LEVEL		LE	LT	LIT	LI	LR	LC	LIC	LRC	LS	LIS	LY	LA	LL
MOTOR (ELECTRICAL)					MI					MS	MS	MY	MA	ML
PRESSURE/VACUUM		PE	PT	PT	PI	PR	PC	PC	PC	PS	PS	PY	PA	PL
PRESSURE DIFFERENTIAL		PDE	PDT	PDT	PDI	PR	PC	PC	PC	PS	PS	PY	PA	PL
RADIATION		RE	RT	RT	RI	RR	RC	RC	RC	RS	RIS	RY	RA	RL
SPEED/FREQUENCY		SE	ST	SIT	SI	SR	SC	SIC	SRC	SS	SIS	SY	SA	SL
RATE OF SPEED CHANGE										SKI	SKIS			SK
TEMPERATURE		TE	TT	TIT	TI	TR	TC	TIC	TRC	TS	TIS	TY	TA	TL
TEMPERATURE DIFFERENTIAL		TDE	TDT	TDT	TDI	TDR	TDC	TDC	TDC	TSS	TSS	TZY	TQA	TQL
VIBRATION		VE	VT	VIT	VI	VR				VS	VIS	VY	VA	VL
MULTIVARIABLE		UE	UT	UIT	UI	UR				US	UIS	UY	UA	UL
EVENT / STATUS / PRESENCE					YI	YR				YS	YIS	YU	YA	YL
POSITION					ZI	ZR	ZC	ZIC		ZS	ZIS	ZY	ZA	ZL

NOTES: 1. THE DESCRIPTION OF AN ANALYTICAL VARIABLE FUNCTION (pH, SiO2, O2, ETC.) SHALL BE SHOWN OUTSIDE THE INSTRUMENT

2. ADD THE SUFFIX L (LOW), LL (LOW-LOW) H (HIGH), HH (HIGH-HIGH), HL (HIGH-LOW) AS REQUIRED.

EXAMPLE:

CONTROL PANEL / PLC LEGEND

TAG	DESCRIPTION
CP-100	HEADWORKS BUILDING PLC
† CP-101	SCREEN & GRIT PLC
CP-102	SEPTAGE RECEIVING
CP-300	OPERATIONS BUILDING PLC
▲▲ CP-301	AGS SYSTEM CONTROL PANEL
# CP-302	WAS THICKENER CONTROL PANEL
CP-400	TERTIARY/UV BUILDING PLC
▲▲ CP-401	FILTER #1 CONTROL PANEL
▲▲ CP-402	FILTER #2 CONTROL PANEL
▲▲ CP-403	FILTER #3 CONTROL PANEL
† CP-404	UV SYSTEM CONTROL PANEL
CP-500	DIGESTER BUILDING PLC (EXISTING)

DATE	No.	REVISION
2025/01/23	2	ISSUED FOR TENDER
2024/08/23	1	ISSUED FOR ECA APPROVAL

THE DRAWINGS, ARRANGEMENTS, ANNOTATIONS AND GRAPHICAL PRESENTATIONS ON THIS DOCUMENT ARE THE PROPERTY OF EVB ENGINEERING WHO RETAINS OWNERSHIP AND AUTHORSHIP OF THIS DOCUMENT IN ITS ENTIRETY. THIS DOCUMENT IS AN INSTRUMENT OF SERVICE AND IS THE INTELLECTUAL AND PHYSICAL PROPERTY OF EVB ENGINEERING. AUTHORIZED USE OF THIS DRAWING IS GRANTED SOLELY FOR THE PURPOSE OF THIS SPECIFIC PROJECT AND LOCATION, AND NOT FOR CONSTRUCTION OR USE FOR ANY OTHER PROJECT. COPYRIGHT © 2024 EVB ENGINEERING.



CONSULTANT:
 800 SECOND STREET WEST
 CORNWALL, ONTARIO CANADA, K6J 1H6
 TEL: 613-935-3775 | FAX: 613-935-6450
 WEBSITE: EVBengineering.com

SUB-CONSULTANT:

CLIENT:
 Greater Napanee
 SPECIAL FOR MANY RESIDENTS

PROJECT:
NEW NAPANEE WPCP

TITLE:
GENERAL NOTES, NOMENCLATURE, AND DETAIL

SCALE:
 N.T.S.

DESIGNED BY:
 J.E.

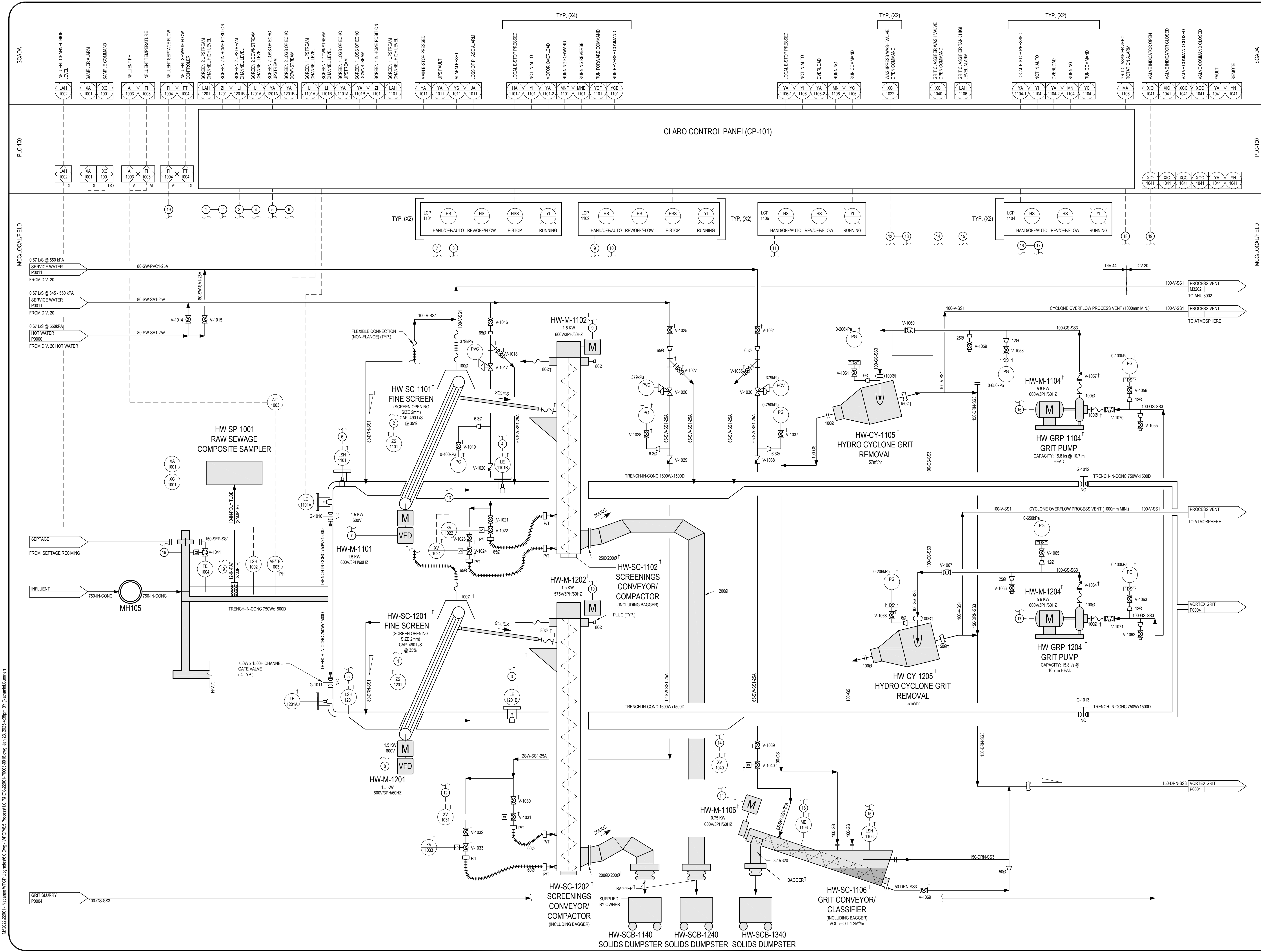
DRAWN BY:
 K.B.W.

CHECKED BY:
 J.E.

JOB NO:
 22001

DATE:
 2025/01/23

DRAWING NO.
P0002



M:\2025\20251 - Napanee WPCP Upgrade\PID - HW-CP-6 - Process\1.0 PID\20250101_P0003_0016.dwg Jan 23, 2025 4:38pm BT (Nathan Cunniff)

SCADA

PLC-100

MCC/LOCAL/FIELD

MCC/LOCAL/FIELD

SCADA

PLC-100

MCC/LOCAL/FIELD

MCC/LOCAL/FIELD

2025/01/23	2	ISSUED FOR TENDER							
2024/08/23	1	ISSUED FOR ECA APPROVAL							
DATE	No.	REVISION							

THE DRAWINGS, ARRANGEMENTS, ANNOTATIONS AND GRAPHICAL PRESENTATIONS ON THIS DOCUMENT ARE THE PROPERTY OF EVB ENGINEERING WHO RETAINS OWNERSHIP AND AUTHORSHIP OF THIS DOCUMENT IN ITS ENTIRETY. THIS DOCUMENT IS AN INSTRUMENT OF SERVICE AND IS THE INTELLECTUAL AND PHYSICAL PROPERTY OF EVB ENGINEERING. AUTHORIZED USE OF THIS DRAWING IS GRANTED SOLELY FOR THE PURPOSE OF THIS SPECIFIC PROJECT AND LOCATION, AND NOT FOR CONSTRUCTION OR USE FOR ANY OTHER PROJECT. COPYRIGHT © 2024 EVB ENGINEERING.

CONSULTANT:

 800 SECOND STREET WEST
 CORNWALL, ONTARIO CANADA, K6J 1H6
 TEL: 613-935-3775 | FAX: 613-935-6450
 WEBSITE: EVBengineering.com

SUB-CONSULTANT:

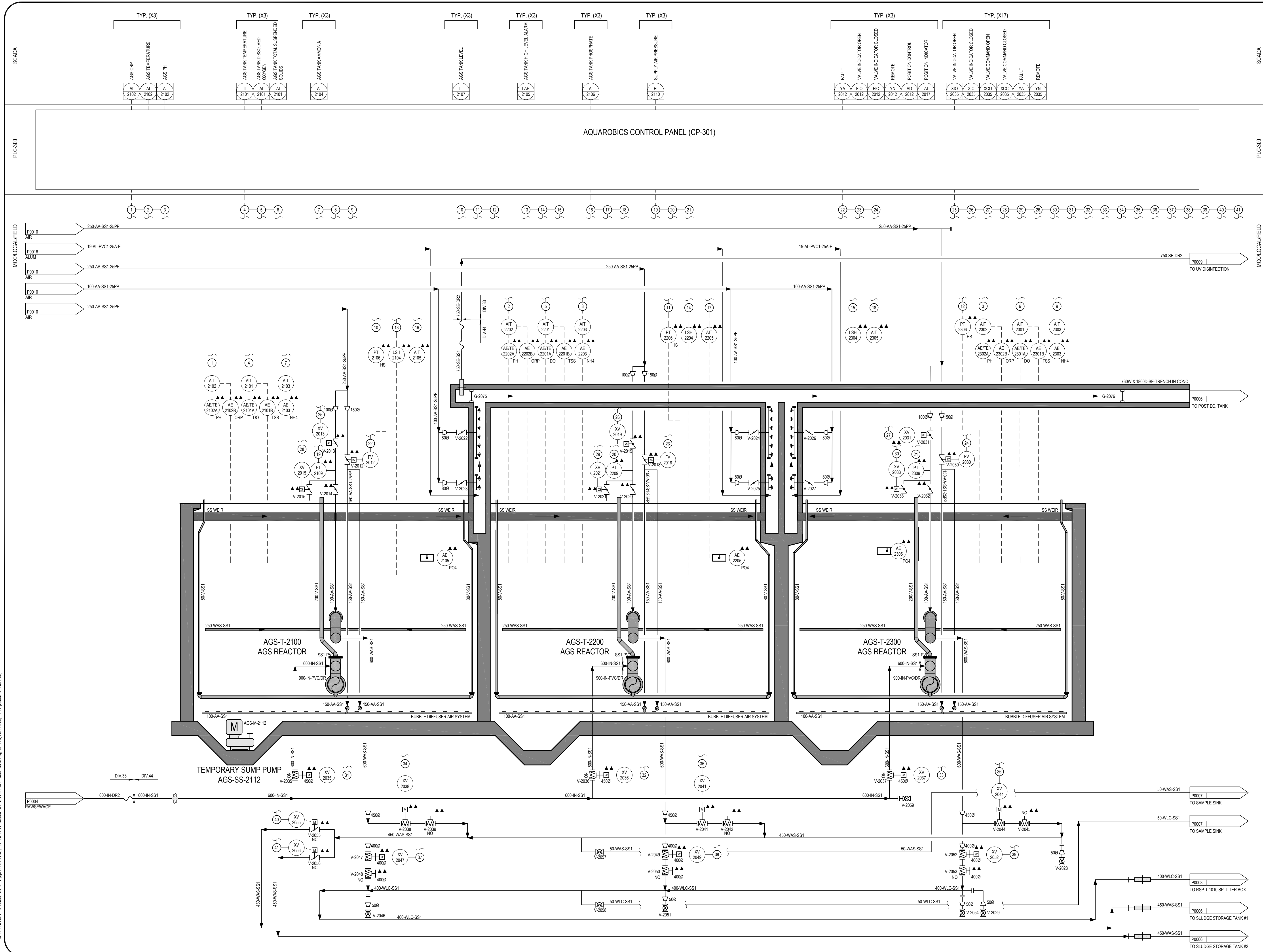
CLIENT:

 GREATER NAPANEE REGION

PROJECT:
 NEW NAPANEE WPCP

TITLE:
 PROCESS & INSTRUMENT DIAGRAM

SCALE: N.T.S. DESIGNED BY: J.B. DRAWN BY: K.B.W. CHECKED BY: J.B.	JOB NO.: 22001 DATE: 2025/01/23 DRAWING NO.: P0003
--	--



AQUAROBICS CONTROL PANEL (CP-301)

DATE	No.	REVISION
2025/01/23	2	ISSUED FOR TENDER
2024/08/23	1	ISSUED FOR ECA APPROVAL

THE DRAWINGS, ARRANGEMENTS, ANNOTATIONS AND GRAPHICAL PRESENTATIONS ON THIS DOCUMENT ARE THE PROPERTY OF EVB ENGINEERING WHO RETAINS OWNERSHIP AND AUTHORSHIP OF THIS DOCUMENT IN ITS ENTIRETY. THIS DOCUMENT IS AN INSTRUMENT OF SERVICE AND IS THE INTELLECTUAL AND PHYSICAL PROPERTY OF EVB ENGINEERING. AUTHORIZED USE OF THIS DRAWING IS GRANTED SOLELY FOR THE PURPOSE OF THIS SPECIFIC PROJECT AND LOCATION, AND NOT FOR CONSTRUCTION OR USE FOR ANY OTHER PROJECT. COPYRIGHT © 2024 EVB ENGINEERING.

CONSULTANT:
EVB ENGINEERING
 800 SECOND STREET WEST
 CORNWALL, ONTARIO CANADA, K6J 1H6
 TEL: 613-935-3775 | FAX: 613-935-6450
 WEBSITE: EVBengineering.com

SUB-CONSULTANT:
CIM+

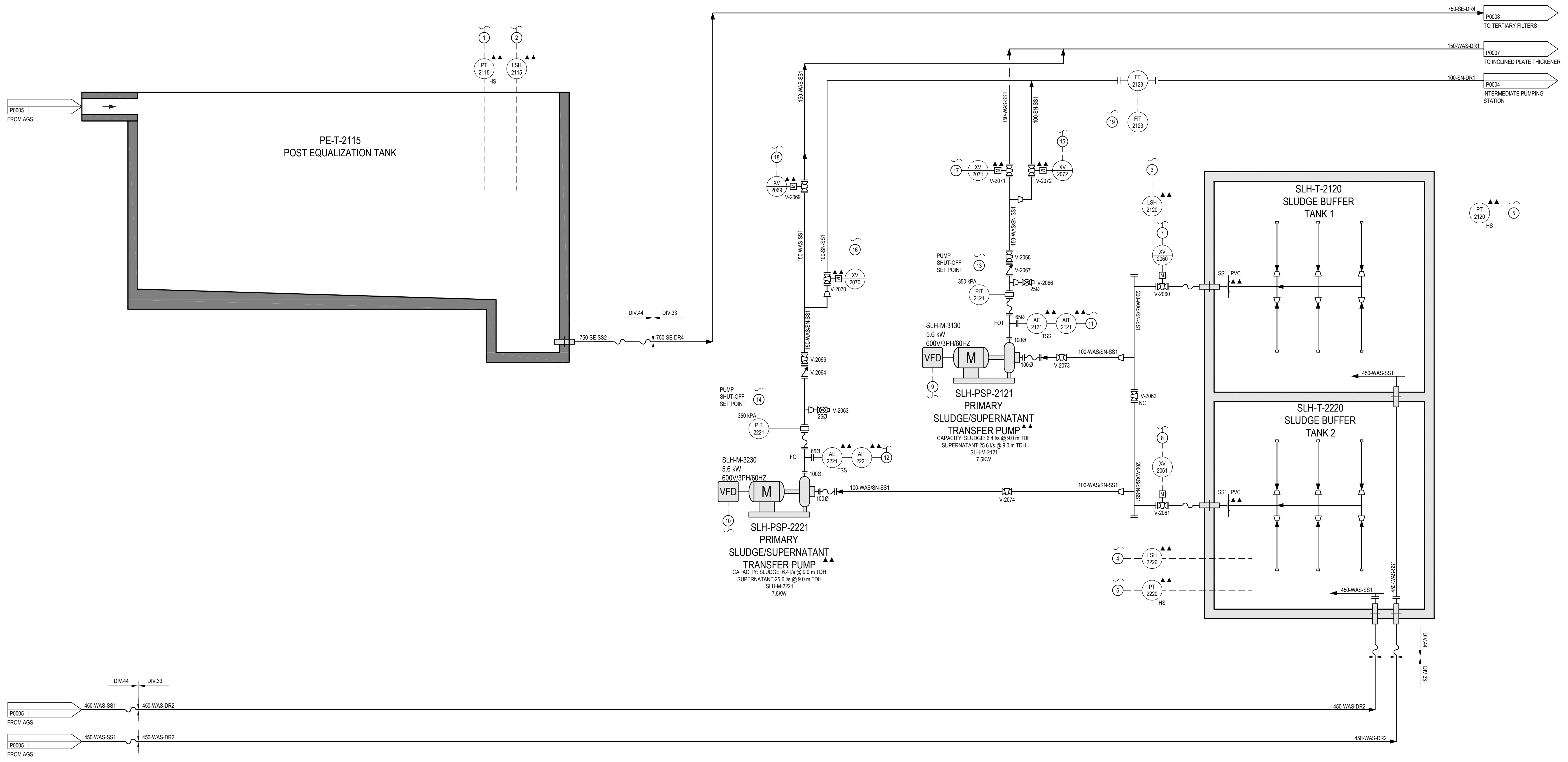
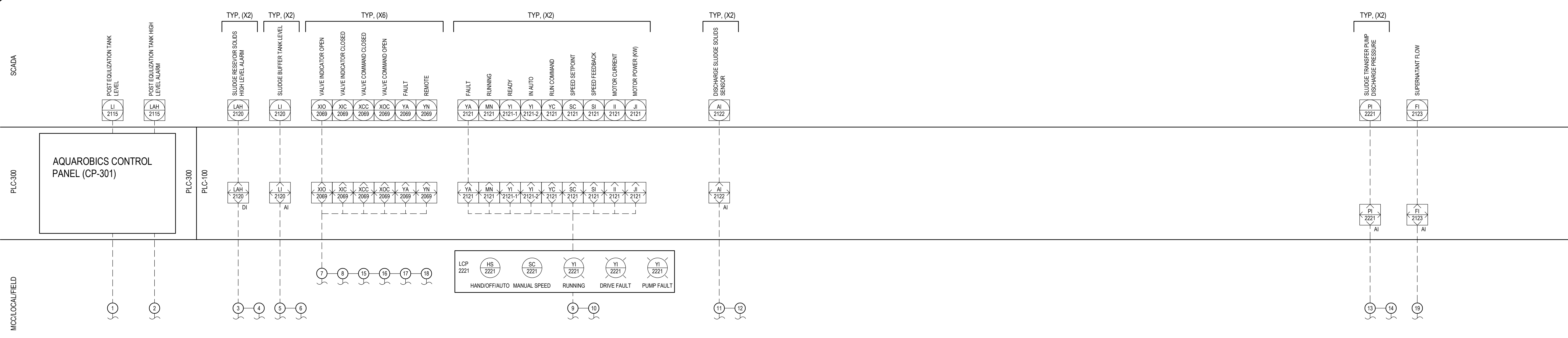
CLIENT:
Greater Napanee
SPECIALTY FOR MANY RESIDUES

PROJECT:
NEW NAPANEE WPCP

TITLE:
PROCESS & INSTRUMENT DIAGRAM

SCALE:	JOB NO:
N.T.S.	22001
DESIGNED BY: J.B.	DATE: 2025/01/23
DRAWN BY: K.B.W.	DRAWING NO. P0005
CHECKED BY: J.B.	

IN: 2025/01/23 - Napanee WPCP Upgrade - E-Draw - WPCP E-Draw - 1.0 - P0005-016.dwg - Jan 23, 2025 - 3:39pm ET (Nathan/Courtesy)



SCADA

PLC-300

MCC/LOCAL/FIELD

SCADA

PLC-100

MCC/LOCAL/FIELD

DATE	No.	REVISION
2025/01/23	2	ISSUED FOR TENDER
2024/08/23	1	ISSUED FOR ECA APPROVAL

THE DRAWINGS, ARRANGEMENTS, ANNOTATIONS AND GRAPHICAL PRESENTATIONS ON THIS DOCUMENT ARE THE PROPERTY OF EVB ENGINEERING WHO RETAINS OWNERSHIP AND AUTHORSHIP OF THIS DOCUMENT IN ITS ENTIRETY. THIS DOCUMENT IS AN INSTRUMENT OF SERVICE AND IS THE INTELLECTUAL AND PHYSICAL PROPERTY OF EVB ENGINEERING. AUTHORIZED USE OF THIS DRAWING IS GRANTED SOLELY FOR THE PURPOSE OF THIS SPECIFIC PROJECT AND LOCATION, AND NOT FOR CONSTRUCTION OR USE FOR ANY OTHER PROJECT. COPYRIGHT © 2024 EVB ENGINEERING.

LICENSED PROFESSIONAL ENGINEER
 2025/01/23
 J. D. BAKER
 100151837
 PROVINCE OF ONTARIO

CONSULTANT:
EVB ENGINEERING
 800 SECOND STREET WEST
 CORNWALL, ONTARIO CANADA, K6J 1H6
 TEL: 613-935-3775 | FAX: 613-935-6450
 WEBSITE: EVBengineering.com

SUB-CONSULTANT:
CIMA+

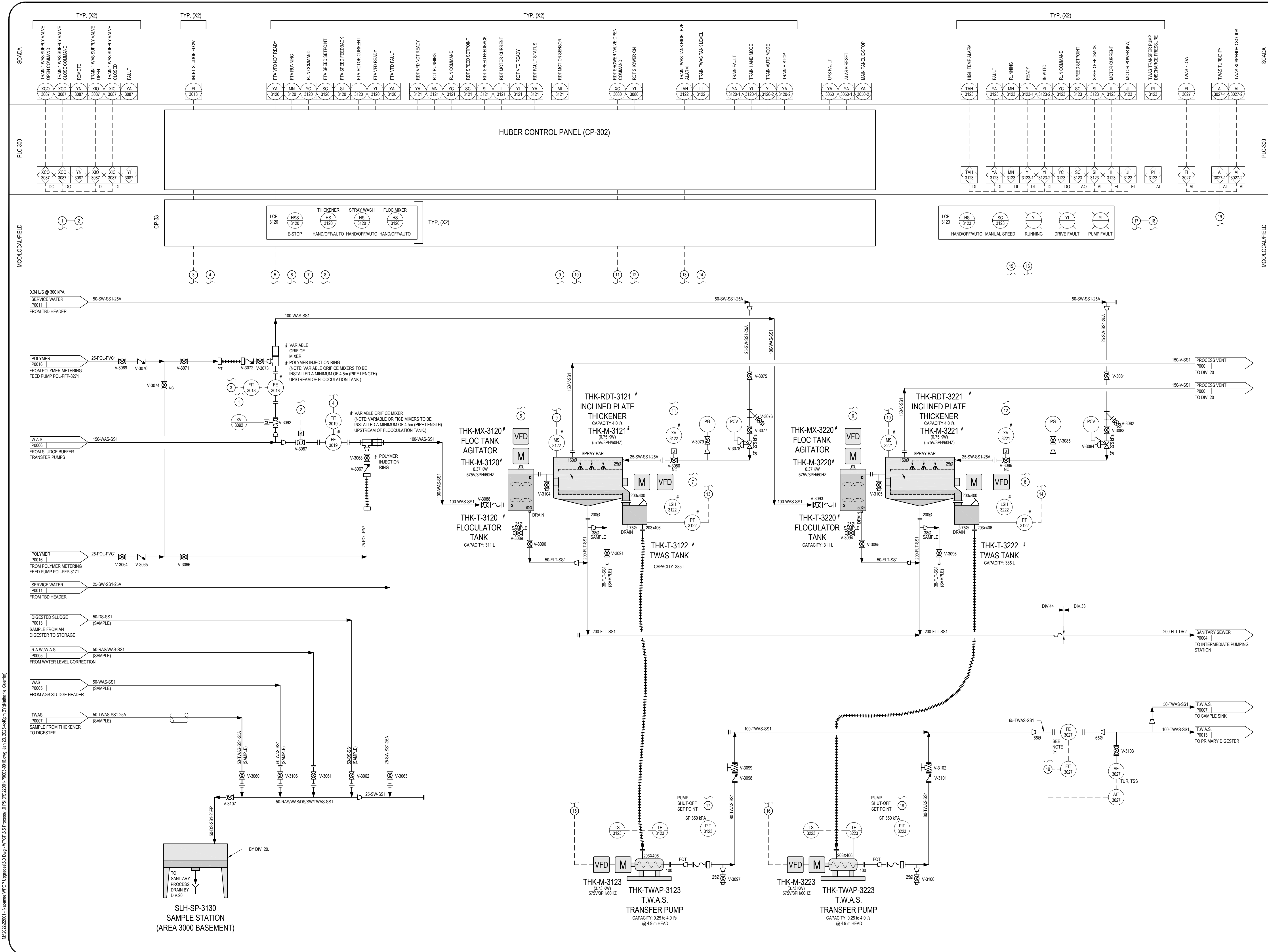
CLIENT:
Greater Napanee
 SPECIALTY FOR MANY RESIDENTS

PROJECT:
NEW NAPANEE WPCP

TITLE:
PROCESS & INSTRUMENT DIAGRAM

SCALE:	JOB NO:
N.T.S.	22001
DESIGNED BY: J.B.	DATE: 2025/01/23
DRAWN BY: K.B.W.	DRAWING NO.
CHECKED BY: J.B.	P0006

M:\2025\20251 - Napanee WPCP Upgrade\6.0 Draw - WPCP\6.0 Process\1.0 P&ID\20250123_P0006_016.dwg Jan 23, 2025 - 4:06pm BT (Nathan Currier)



<p>SCADA</p> <p>TYP, (X2)</p> <p>PLC-300</p> <p>MCC/LOCAL/FIELD</p> <p>CP-33</p> <p>TYP, (X2)</p> <p>MCC/LOCAL/FIELD</p> <p>SCADA</p>	<p>SCADA</p> <p>TYP, (X2)</p> <p>PLC-300</p> <p>MCC/LOCAL/FIELD</p> <p>CP-33</p> <p>TYP, (X2)</p> <p>MCC/LOCAL/FIELD</p> <p>SCADA</p>
---	---

<p>THK-RDT-3121 # INCLINED PLATE THICKENER CAPACITY: 4.0 Ibs (0.75 KW) (575V/3PH/60HZ)</p> <p>THK-MX-3120 # FLOC TANK AGITATOR THK-M-3120 # 0.37 KW 575V/3PH/60HZ</p> <p>THK-T-3120 # FLOCULATOR TANK CAPACITY: 311 L</p> <p>THK-T-3122 # TWAS TANK CAPACITY: 385 L</p>	<p>THK-RDT-3221 # INCLINED PLATE THICKENER CAPACITY: 4.0 Ibs (0.75 KW) (575V/3PH/60HZ)</p> <p>THK-MX-3220 # FLOC TANK AGITATOR THK-M-3220 # 0.37 KW 575V/3PH/60HZ</p> <p>THK-T-3220 # FLOCULATOR TANK CAPACITY: 311 L</p> <p>THK-T-3222 # TWAS TANK CAPACITY: 385 L</p>
---	---

<p>THK-M-3123 (3.73 KW) 575V/3PH/60HZ</p> <p>THK-TWAP-3123 T.W.A.S. TRANSFER PUMP CAPACITY: 0.25 to 4.0 Ibs @ 4.9 m HEAD</p>	<p>THK-M-3223 (3.73 KW) 575V/3PH/60HZ</p> <p>THK-TWAP-3223 T.W.A.S. TRANSFER PUMP CAPACITY: 0.25 to 4.0 Ibs @ 4.9 m HEAD</p>
--	--

<p>SLH-SP-3130 SAMPLE STATION (AREA 3000 BASEMENT)</p>	<p>TO SANITARY PROCESS DRAIN BY DIV. 20</p>
--	---

<p>2025/01/23 2 ISSUED FOR TENDER</p> <p>2024/08/23 1 ISSUED FOR ECA APPROVAL</p> <p>DATE No. REVISION</p>	<p>THE DRAWINGS, ARRANGEMENTS, ANNOTATIONS AND GRAPHICAL PRESENTATIONS ON THIS DOCUMENT ARE THE PROPERTY OF EVB ENGINEERING WHO RETAINS OWNERSHIP AND AUTHORSHIP OF THIS DOCUMENT IN ITS ENTIRETY. THIS DOCUMENT IS AN INSTRUMENT OF SERVICE AND IS THE INTELLECTUAL AND PHYSICAL PROPERTY OF EVB ENGINEERING. AUTHORIZED USE OF THIS DRAWING IS GRANTED SOLELY FOR THE PURPOSE OF THIS SPECIFIC PROJECT AND LOCATION, AND NOT FOR CONSTRUCTION OR USE FOR ANY OTHER PROJECT. COPYRIGHT © 2024 EVB ENGINEERING.</p>
--	---

CONSULTANT:

800 SECOND STREET WEST
CORNWALL, ONTARIO CANADA, K6J 1H6
TEL: 613-935-3775 | FAX: 613-935-6450
WEBSITE: EVBengineering.com

SUB-CONSULTANT:

CLIENT:

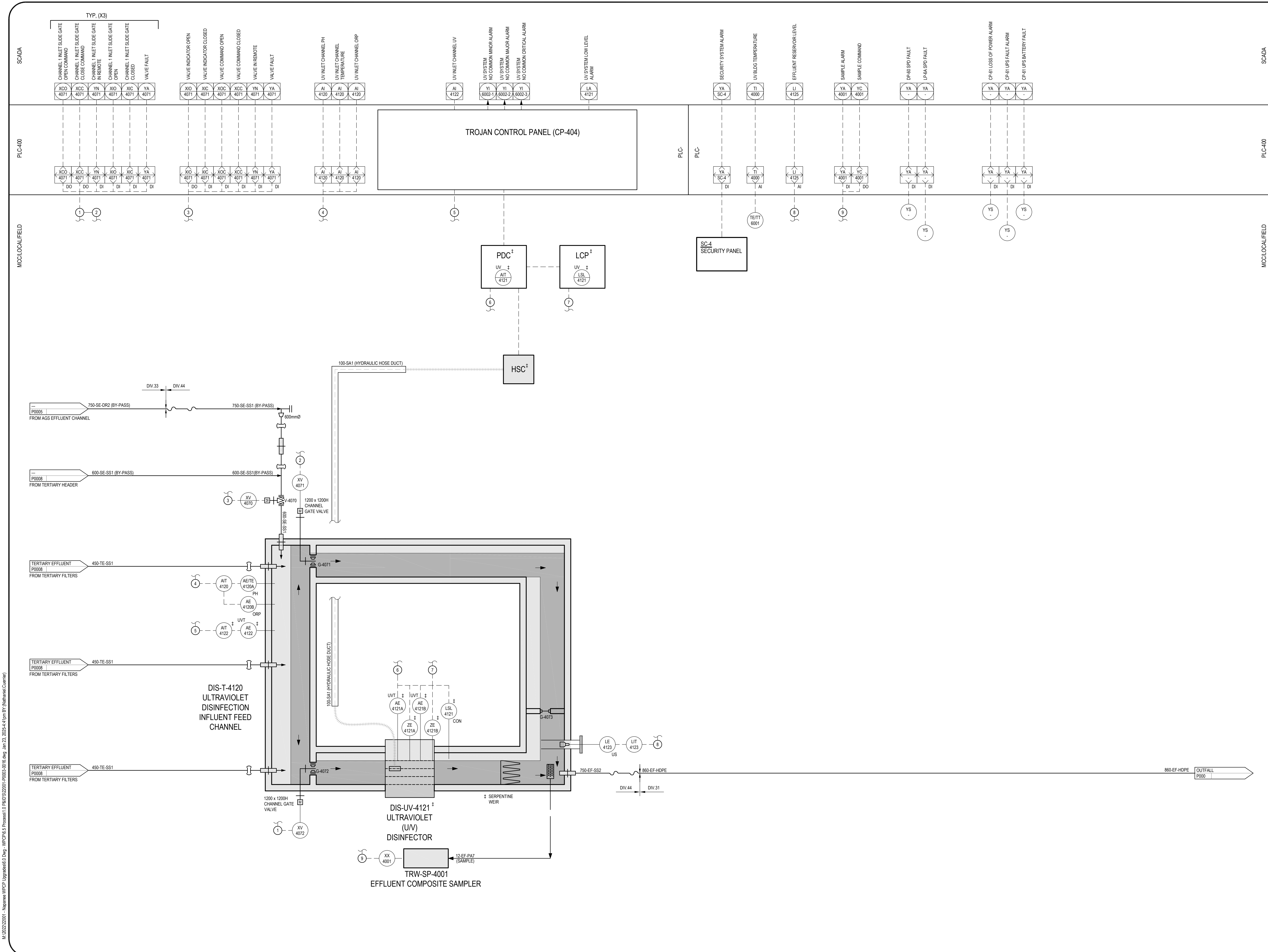
PROJECT:

NEW NAPANEE WPCP

TITLE:

PROCESS & INSTRUMENT DIAGRAM

SCALE: N.T.S.	JOB NO: 22001
DESIGNED BY: J.B.	DATE: 2025/01/23
DRAWN BY: K.B.W.	DRAWING NO:
CHECKED BY: J.B.	P0007



SCADA	SCADA
PLC-400	PLC-400
MCC/LOCAL/FIELD	MCC/LOCAL/FIELD

2025/01/23	2	ISSUED FOR TENDER		
2024/08/23	1	ISSUED FOR ECA APPROVAL		
DATE	No.	REVISION		

THE DRAWINGS, ARRANGEMENTS, ANNOTATIONS AND GRAPHICAL PRESENTATIONS ON THIS DOCUMENT ARE THE PROPERTY OF EVB ENGINEERING WHO RETAINS OWNERSHIP AND AUTHORSHIP OF THIS DOCUMENT IN ITS ENTIRETY. THIS DOCUMENT IS AN INSTRUMENT OF SERVICE AND IS THE INTELLECTUAL AND PHYSICAL PROPERTY OF EVB ENGINEERING. AUTHORIZED USE OF THIS DRAWING IS GRANTED SOLELY FOR THE PURPOSE OF THIS SPECIFIC PROJECT AND LOCATION, AND NOT FOR CONSTRUCTION OR USE FOR ANY OTHER PROJECT. COPYRIGHT © 2024 EVB ENGINEERING.

CONSULTANT:

EVB ENGINEERING
800 SECOND STREET WEST
CORNWALL, ONTARIO CANADA, K6J 1H6
TEL: 613-935-3775 | FAX: 613-935-6450
WEBSITE: EVBengineering.com

SUB-CONSULTANT:

CLIENT:

Greater Napanee
SPECIALTY FOR MANY RESIDUES

PROJECT:

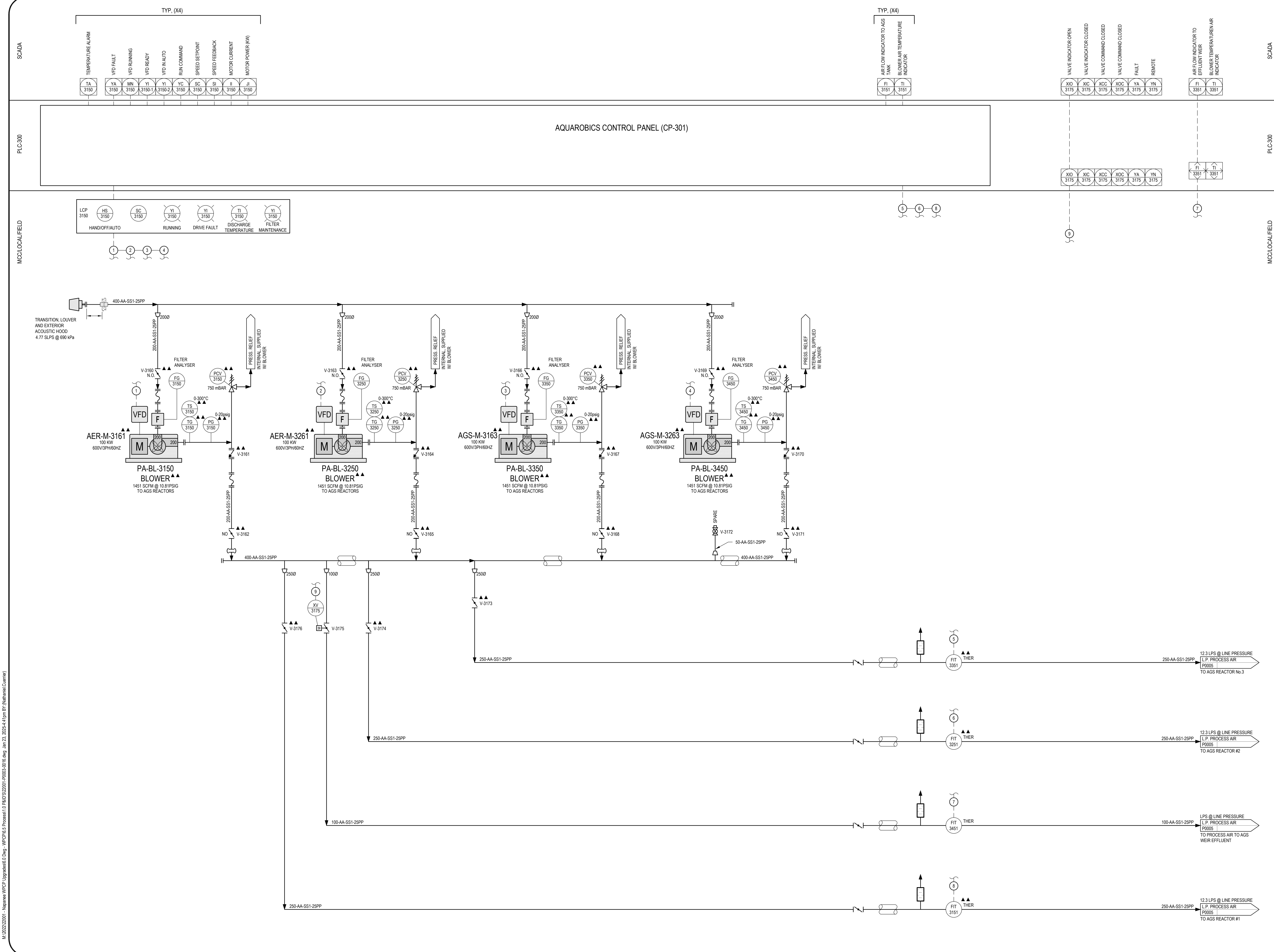
NEW NAPANEE WPCP

TITLE:

PROCESS & INSTRUMENT DIAGRAM

SCALE: N.T.S.	JOB NO: 22001
DESIGNED BY: J.B.	DATE: 2025/01/23
DRAWN BY: K.B.W.	DRAWING NO.:
CHECKED BY: J.B.	P0009

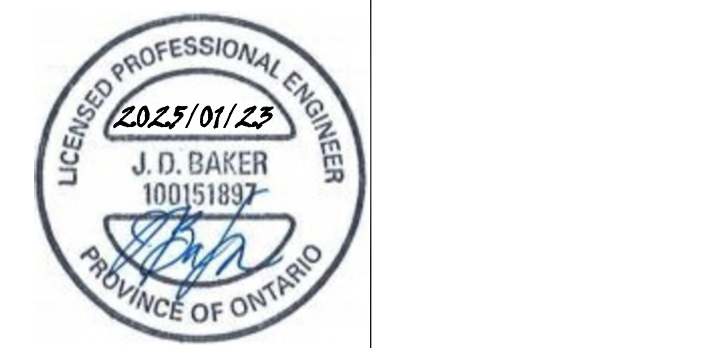
M:\2025\22001 - Napanee WPCP Upgrade\03 - Design - WPCP & P\Process & Instrument\03-016.dwg, Jan 23, 2025, 4:14pm BY: (National Customer)



NOTE:
 TYPICAL SERVICE WATER TAKE-OFF DETAIL
 DIV. 44/DIV 20 SHALL CO-ORDINATE EFFORTS TO ENSURE
 ADEQUATE BRANCH TAKE OFF'S ARE PROVIDED TO THE
 NECESSARY EQUIPMENT AND/OR EQUIPMENT SUB HEADERS.
 (TYPICAL FOR ALL BLD'GS).



DATE	No.	REVISION
2025/01/23	2	ISSUED FOR TENDER
2024/08/23	1	ISSUED FOR ECA APPROVAL



CONSULTANT:
EVB ENGINEERING
 800 SECOND STREET WEST
 CORNWALL, ONTARIO CANADA, K6J 1H6
 TEL: 613-935-3775 | FAX: 613-935-6450
 WEBSITE: EVBengineering.com

SUB-CONSULTANT:
CIMA+

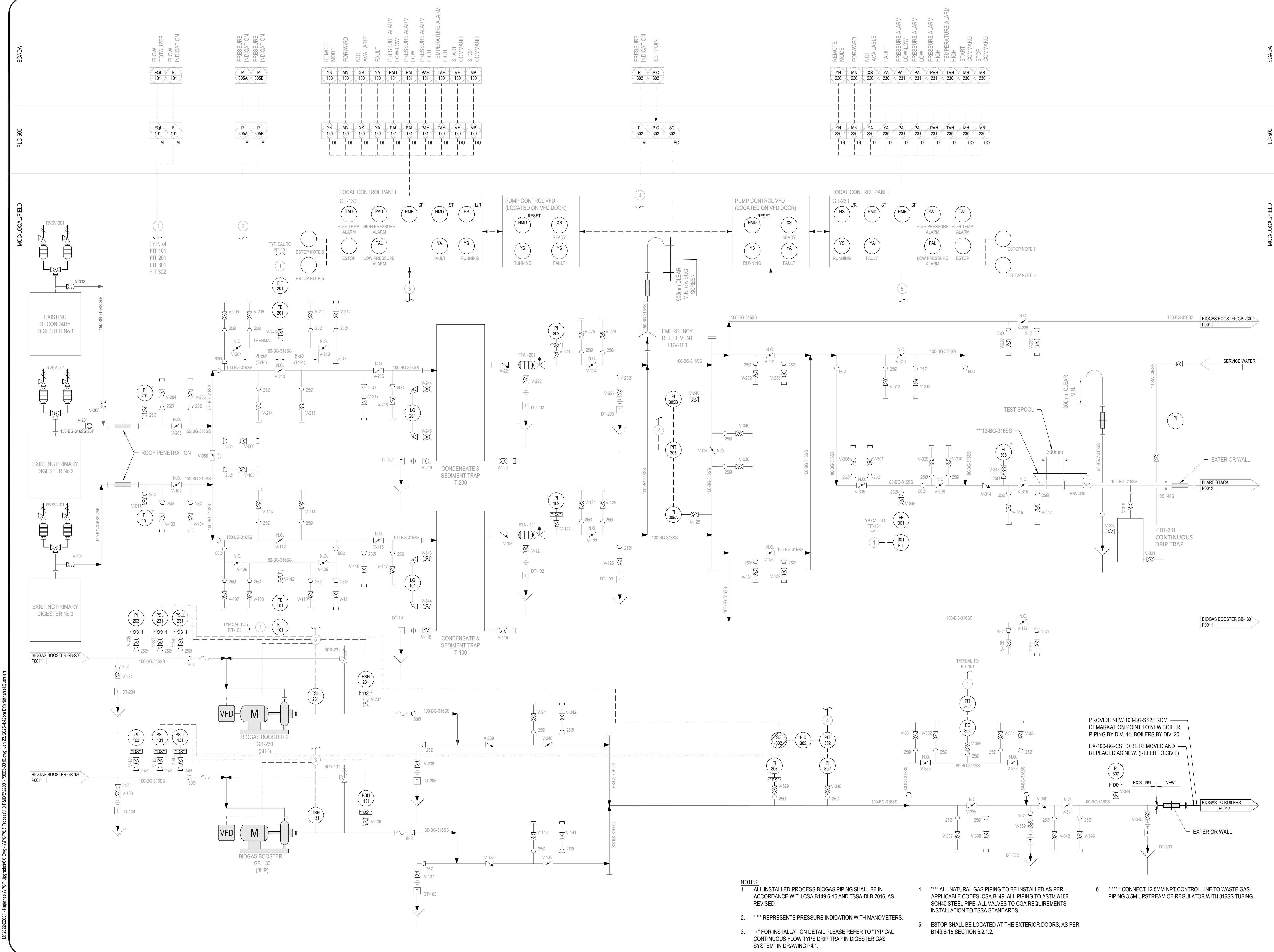
CLIENT:
Greater Napanee
 SPECIALTY FOR MANY RESIDUALS

PROJECT:
NEW NAPANEE WPCP

TITLE:
PROCESS & INSTRUMENT DIAGRAM

SCALE: N.T.S.	JOB NO: 22001
DESIGNED BY: J.B.	DATE: 2025/01/23
DRAWN BY: K.B.W.	DRAWING NO.: P0010
CHECKED BY: J.B.	

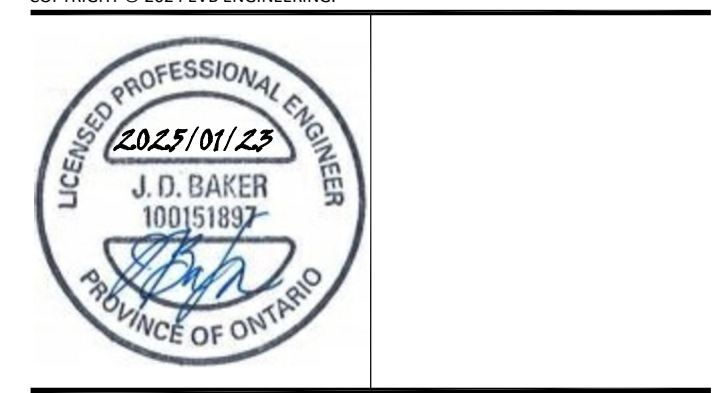
M:\2025\20251 - Napanee WPCP Upgrade\DWG - WPCP-6-Process & Instrument Diagram.dwg Jan 23, 2025 - 4:14pm ET (Nathan Cunniff)



- NOTE:**
1. **TYPICAL SERVICE WATER TAKE-OFF DETAIL**
DIV. 44/DIV. 20 SHALL CO-ORDINATE EFFORTS TO ENSURE ADEQUATE BRANCH TAKE-OFFS ARE PROVIDED TO THE NECESSARY EQUIPMENT AND/OR EQUIPMENT SUB HEADERS. (TYPICAL FOR ALL BLDGS).
 2. **ALL BIOGAS PIPING IS EXISTING WITH THE EXCEPTION OF THE NEW BIOGAS FEED TO THE NEW BOILERS IN THE OPERATION BUILDING.**

DATE	No.	REVISION
2025/01/23	2	ISSUED FOR TENDER
2024/08/23	1	ISSUED FOR ECA APPROVAL

THE DRAWINGS, ARRANGEMENTS, ANNOTATIONS AND GRAPHICAL PRESENTATIONS ON THIS DOCUMENT ARE THE PROPERTY OF EVB ENGINEERING WHO RETAINS OWNERSHIP AND AUTHORSHIP OF THIS DOCUMENT IN ITS ENTIRETY. THIS DOCUMENT IS AN INSTRUMENT OF SERVICE AND IS THE INTELLECTUAL AND PHYSICAL PROPERTY OF EVB ENGINEERING. AUTHORIZED USE OF THIS DRAWING IS GRANTED SOLELY FOR THE PURPOSE OF THIS SPECIFIC PROJECT AND LOCATION, AND NOT FOR CONSTRUCTION OR USE FOR ANY OTHER PROJECT. COPYRIGHT © 2024 EVB ENGINEERING.



CONSULTANT:
EVB ENGINEERING
 800 SECOND STREET WEST
 CORNWALL, ONTARIO CANADA, K6J 1H6
 TEL: 613-935-3775 | FAX: 613-935-6450
 WEBSITE: EVBengineering.com



CLIENT:
Greater Napanee
 SPECIALTY FOR MANY REASONS

PROJECT:
NEW NAPANEE WPCP

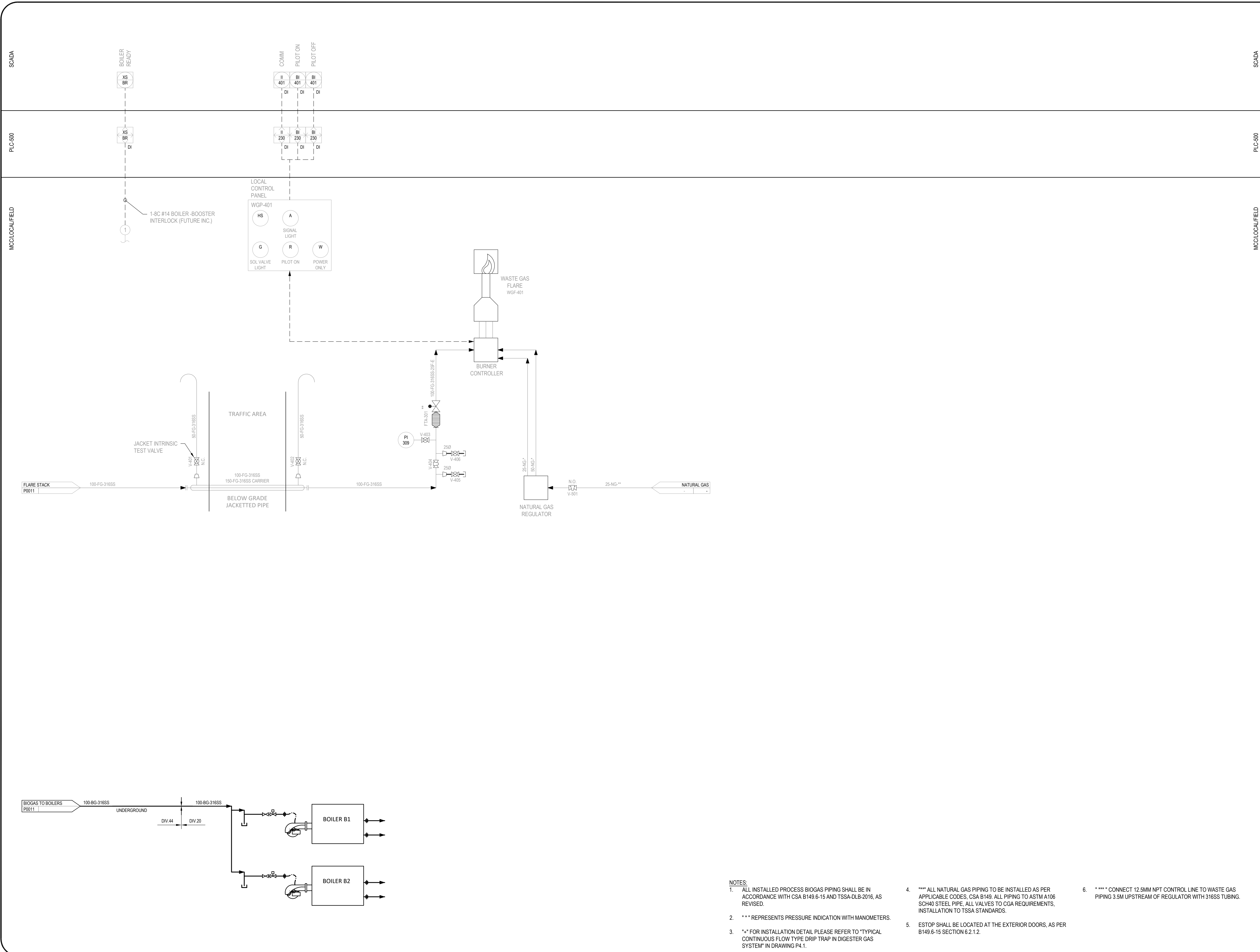
TITLE:
PROCESS & INSTRUMENT DIAGRAM

SCALE: N.T.S.	JOB NO: 22001
DESIGNED BY: J.B.	DATE: 2025/01/23
DRAWN BY: K.B.W.	DRAWING NO.: P0011
CHECKED BY: J.B.	

M:\2025\202501 - Napanee WPCP Upgrade\613-Dwg - WPCP-6-Process & Instrument\1.0 PID\316SS-2001-P0011-016.dwg Jan 23, 2025 - 4:28pm BT (Nathan/Courtesy)

- NOTES:**
1. ALL INSTALLED PROCESS BIOGAS PIPING SHALL BE IN ACCORDANCE WITH CSA B149.6-15 AND TSSA-DLB-2016, AS REVISED.
 2. *** REPRESENTS PRESSURE INDICATION WITH MANOMETERS.
 3. ** FOR INSTALLATION DETAIL PLEASE REFER TO "TYPICAL CONTINUOUS FLOW TYPE DRIP TRAP IN DIGESTER GAS SYSTEM" IN DRAWING P4.1.
 4. **** ALL NATURAL GAS PIPING TO BE INSTALLED AS PER APPLICABLE CODES, CSA B149. ALL PIPING TO ASTM A106 SCH40 STEEL PIPE, ALL VALVES TO CGA REQUIREMENTS, INSTALLATION TO TSSA STANDARDS.
 5. ESTOP SHALL BE LOCATED AT THE EXTERIOR DOORS, AS PER B149.6-15 SECTION 6.2.1.2.
 6. **** *CONNECT 12.5MM NPT CONTROL LINE TO WASTE GAS PIPING 3.5M UPSTREAM OF REGULATOR WITH 316SS TUBING.

11/02/2020 - Napanee WPCP Upgrade E.Dwg - WPCP E.P. Project 1.0 P&ID 202011 P0012-016.dwg Jan 23, 2024 - 4:42pm BT (Nathan Currier)



2025/01/23	2	ISSUED FOR TENDER							
2024/08/23	1	ISSUED FOR ECA APPROVAL							
DATE	No.	REVISION							

THE DRAWINGS, ARRANGEMENTS, ANNOTATIONS AND GRAPHICAL PRESENTATIONS ON THIS DOCUMENT ARE THE PROPERTY OF EVB ENGINEERING WHO RETAINS OWNERSHIP AND AUTHORSHIP OF THIS DOCUMENT IN ITS ENTIRETY. THIS DOCUMENT IS AN INSTRUMENT OF SERVICE AND IS THE INTELLECTUAL AND PHYSICAL PROPERTY OF EVB ENGINEERING. AUTHORIZED USE OF THIS DRAWING IS GRANTED SOLELY FOR THE PURPOSE OF THIS SPECIFIC PROJECT AND LOCATION, AND NOT FOR CONSTRUCTION OR USE FOR ANY OTHER PROJECT. COPYRIGHT © 2024 EVB ENGINEERING.

CONSULTANT:

800 SECOND STREET WEST
CORNWALL, ONTARIO CANADA, K6J 1H6
TEL: 613-935-3775 | FAX: 613-935-6450
WEBSITE: EVBengineering.com

SUB-CONSULTANT:

CLIENT:

Greater Napanee
SPECIAL FOR MANY REASONS

PROJECT:

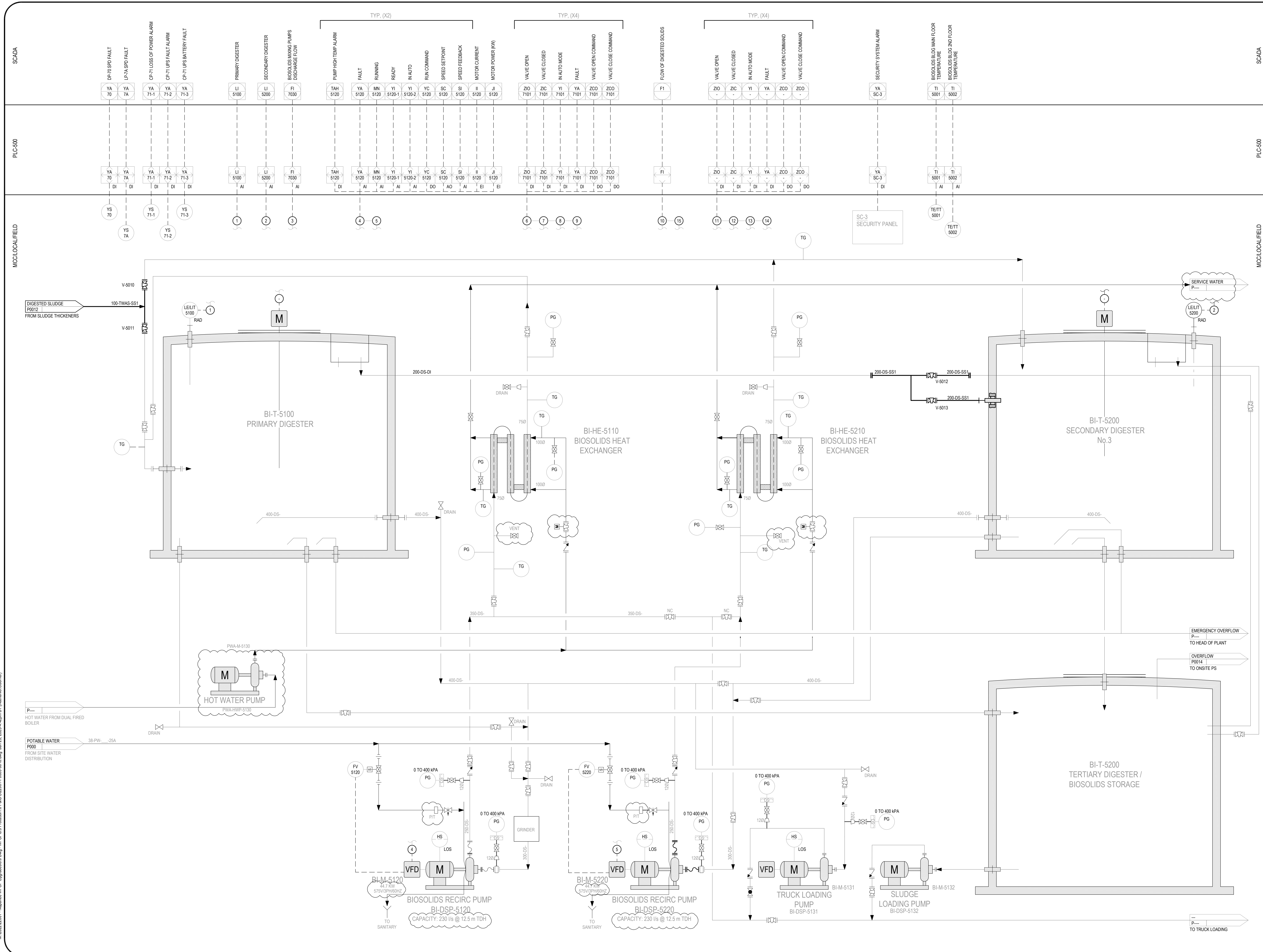
NEW NAPANEE WPCP

TITLE:

PROCESS & INSTRUMENT DIAGRAM

SCALE: N.T.S.	JOB NO: 22001
DESIGNED BY: J.B.	DATE: 2025/01/23
DRAWN BY: K.B.W.	DRAWING NO. P0012
CHECKED BY: J.B.	

- NOTES:**
- ALL INSTALLED PROCESS BIOGAS PIPING SHALL BE IN ACCORDANCE WITH CSA B149.6-15 AND TSSA-DLB-2016, AS REVISED.
 - *** REPRESENTS PRESSURE INDICATION WITH MANOMETERS.
 - ** FOR INSTALLATION DETAIL PLEASE REFER TO "TYPICAL CONTINUOUS FLOW TYPE DRIP TRAP IN DIGESTER GAS SYSTEM" IN DRAWING P4.1.
 - **** ALL NATURAL GAS PIPING TO BE INSTALLED AS PER APPLICABLE CODES, CSA B149. ALL PIPING TO ASTM A106 SCH40 STEEL PIPE, ALL VALVES TO CGA REQUIREMENTS, INSTALLATION TO TSSA STANDARDS.
 - ESTOP SHALL BE LOCATED AT THE EXTERIOR DOORS, AS PER B149.6-15 SECTION 6.2.1.2.
 - **** *CONNECT 12.5MM NPT CONTROL LINE TO WASTE GAS PIPING 3.5M UPSTREAM OF REGULATOR WITH 316SS TUBING.



2025/01/23	2	ISSUED FOR TENDER
2024/08/23	1	ISSUED FOR ECA APPROVAL
DATE	No.	REVISION

THE DRAWINGS, ARRANGEMENTS, ANNOTATIONS AND GRAPHICAL PRESENTATIONS ON THIS DOCUMENT ARE THE PROPERTY OF EVB ENGINEERING WHO RETAINS OWNERSHIP AND AUTHORSHIP OF THIS DOCUMENT IN ITS ENTIRETY. THIS DOCUMENT IS AN INSTRUMENT OF SERVICE AND IS THE INTELLECTUAL AND PHYSICAL PROPERTY OF EVB ENGINEERING. AUTHORIZED USE OF THIS DRAWING IS GRANTED SOLELY FOR THE PURPOSE OF THIS SPECIFIC PROJECT AND LOCATION, AND NOT FOR CONSTRUCTION OR USE FOR ANY OTHER PROJECT. COPYRIGHT © 2024 EVB ENGINEERING.

CONSULTANT:
EVB ENGINEERING
 800 SECOND STREET WEST
 CORNWALL, ONTARIO CANADA, K6J 1H6
 TEL: 613-935-3775 | FAX: 613-935-6450
 WEBSITE: EVBengineering.com

SUB-CONSULTANT:
CIM+

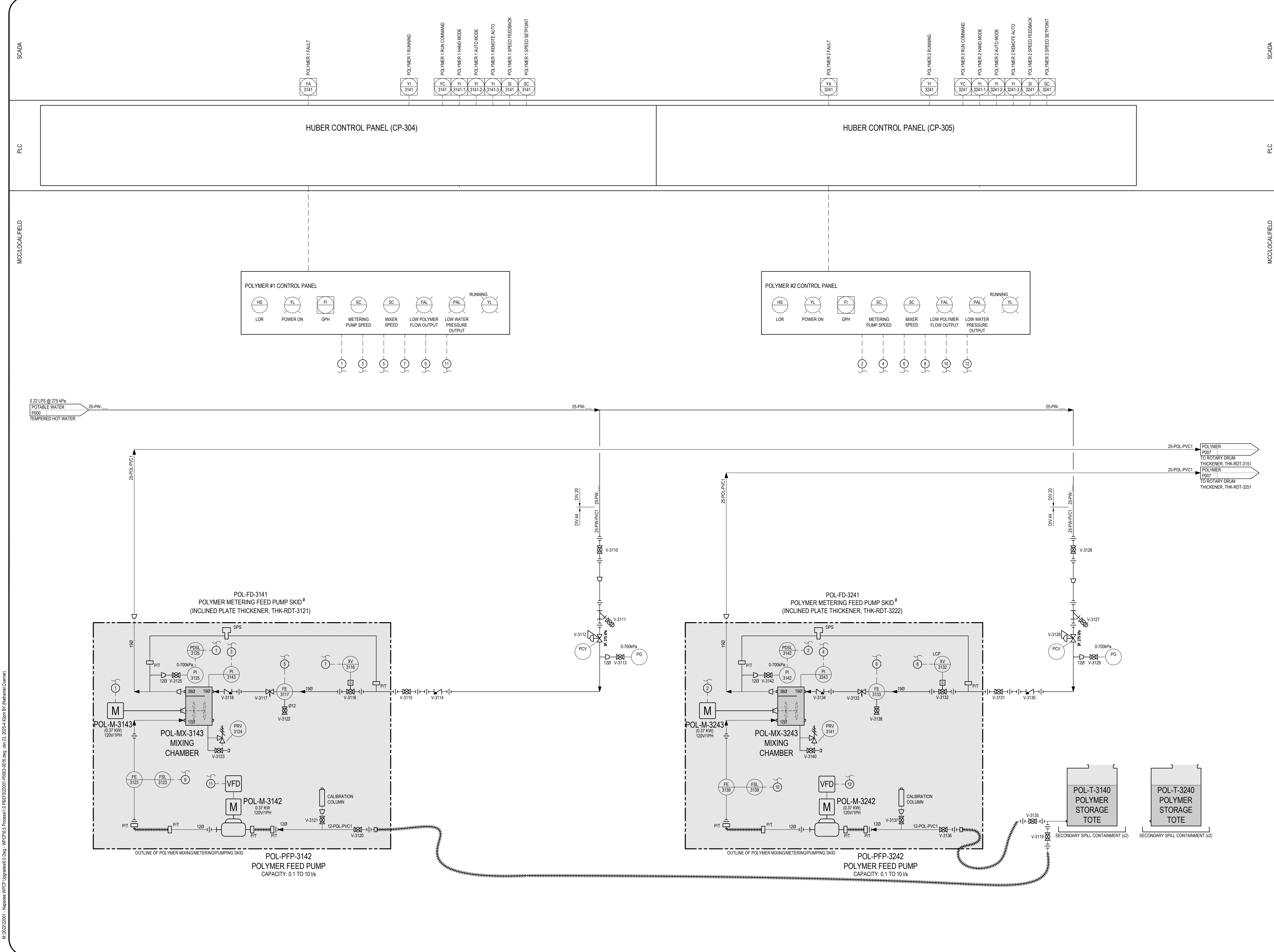
CLIENT:
Greater Napanee
 SPECIALTY FOR MANY REASONS

PROJECT:
NEW NAPANEE WPCP

TITLE:
PROCESS & INSTRUMENT DIAGRAM

SCALE: N.T.S.	JOB NO: 22001
DESIGNED BY: J.B.	DATE: 2025/01/23
DRAWN BY: K.B.W.	DRAWING NO. P0013
CHECKED BY: J.B.	

M:\2025\202501 - Napanee WPCP Upgrade\01 - Draw - WPCP\6 - Process\1.0 PID\522001 - P0013-016.dwg Jan 23, 2025 - 4:26pm BT (Nathan Cunniff)



DATE	No.	REVISION
2025/01/23	2	ISSUED FOR TENDER
2024/09/23	1	ISSUED FOR ECA APPROVAL

THE DRAWINGS, ARRANGEMENTS, ANNOTATIONS AND GRAPHICAL PRESENTATIONS ON THIS DOCUMENT ARE THE PROPERTY OF EVB ENGINEERING WHO RETAINS OWNERSHIP AND AUTHORSHIP OF THIS DOCUMENT IN ITS ENTIRETY. THIS DOCUMENT IS AN INSTRUMENT OF SERVICE AND IS THE INTELLECTUAL AND PHYSICAL PROPERTY OF EVB ENGINEERING. AUTHORIZED USE OF THIS DRAWING IS GRANTED SOLELY FOR THE PURPOSE OF THIS SPECIFIC PROJECT AND LOCATION, AND NOT FOR CONSTRUCTION OR USE FOR ANY OTHER PROJECT. COPYRIGHT © 2024 EVB ENGINEERING.



CONSULTANT:
EVB ENGINEERING
 800 SECOND STREET WEST
 CORNWALL, ONTARIO CANADA, K6J 1H6
 TEL: 613-935-3775 | FAX: 613-935-6450
 WEBSITE: EVBengineering.com



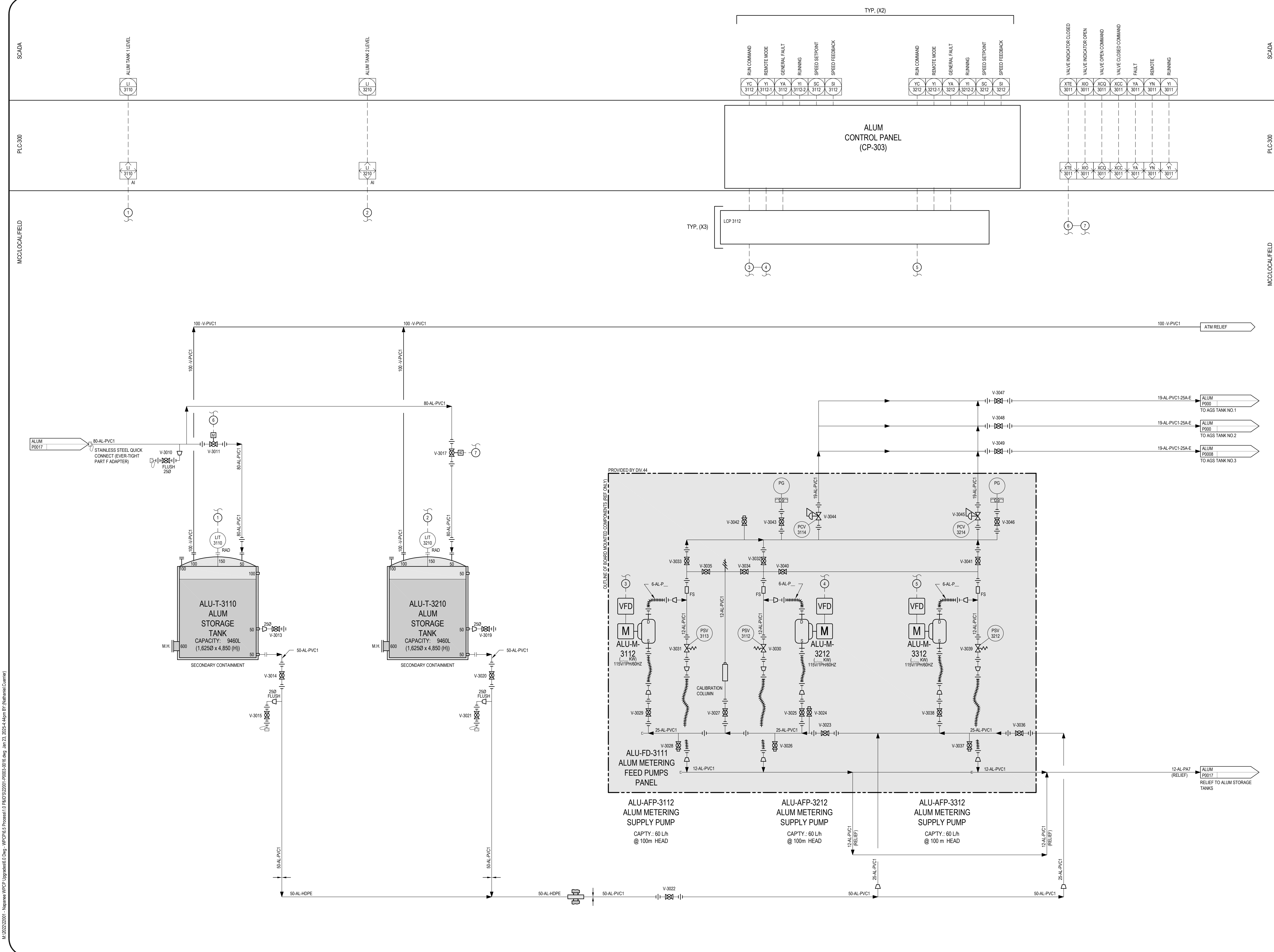
CLIENT:
Greater Napanee
 SPECIALTY FOR MANY RESIDUES

PROJECT:
NEW NAPANEE WPCP

TITLE:
PROCESS & INSTRUMENT DIAGRAM

SCALE: N.T.S.	JOB NO: 22001
DESIGNED BY: J.B.	DATE: 2025/01/23
DRAWN BY: K.B.W.	DRAWING NO. P0015
CHECKED BY: J.B.	

M:\2025\20251 - Napanee WPCP Upgrade\6.0 Draw - WPCP\6.0 Process & Instrument\PID.dwg Jan 23, 2025 4:45pm BT (Nathan Currier)



DATE	No.	REVISION
2025/01/23	2	ISSUED FOR TENDER
2024/09/23	1	ISSUED FOR ECA APPROVAL

THE DRAWINGS, ARRANGEMENTS, ANNOTATIONS AND GRAPHICAL PRESENTATIONS ON THIS DOCUMENT ARE THE PROPERTY OF EVB ENGINEERING WHO RETAINS OWNERSHIP AND AUTHORSHIP OF THIS DOCUMENT IN ITS ENTIRETY. THIS DOCUMENT IS AN INSTRUMENT OF SERVICE AND IS THE INTELLECTUAL AND PHYSICAL PROPERTY OF EVB ENGINEERING. AUTHORIZED USE OF THIS DRAWING IS GRANTED SOLELY FOR THE PURPOSE OF THIS SPECIFIC PROJECT AND LOCATION, AND NOT FOR CONSTRUCTION OR USE FOR ANY OTHER PROJECT. COPYRIGHT © 2024 EVB ENGINEERING.



CONSULTANT:
EVB ENGINEERING
 800 SECOND STREET WEST
 CORNWALL, ONTARIO CANADA, K6J 1H6
 TEL: 613-935-3775 | FAX: 613-935-6450
 WEBSITE: EVBengineering.com

SUB-CONSULTANT:
CIMA+

CLIENT:
Greater Napanee
 SPECIALS FOR MANY REASONS

PROJECT:
NEW NAPANEE WPCP

TITLE:
PROCESS & INSTRUMENT DIAGRAM

SCALE: N.T.S.	JOB NO: 22001
DESIGNED BY: J.B.	DATE: 2025/01/23
DRAWN BY: K.B.W.	DRAWING NO. P0016
CHECKED BY: J.B.	

M:\2025\22001 - Napanee WPCP Upgrade\6.0 Draw - WPCP\6.0 Process\1.0 P&ID\250201 - P0016.dwg Jan 23, 2025 - 4:46pm ET (Nathan Cunniff)

GENERAL NOTES:

- 1. READ PROCESS DRAWINGS IN CONJUNCTION WITH THE REMAINDER OF THE CONTRACT DRAWINGS, SPECIFICATIONS AND WITH OTHER CONTRACT DOCUMENTS.
2. THE CONTRACTOR IS TO CHECK AND VERIFY ALL DIMENSIONS AND ELEVATIONS ON THE CONTRACT DRAWINGS BEFORE CONSTRUCTION. ANY DISCREPANCIES OR ERRORS MUST BE REPORTED TO THE ENGINEER PRIOR TO THE COMMENCEMENT OF WORK.
3. DO NOT SCALE DRAWINGS.
4. WHEREVER STANDARDS AND REGULATIONS ARE MENTIONED/SPECIFIED, REFER TO THE LATEST ISSUES THEREOF AT TIME OF TENDER.
5. SMALL PIPING AND VALVES, SUCH AS LESS THAN 100 MM, MAY NOT BE SHOWN ON THE CONTRACT DRAWINGS. THE CONTRACTOR SHALL PROVIDE ALL SMALL PIPING AND VALVES WITH SUPPORTS AS PER P&IDS.
6. ALL EQUIPMENT AND INSTRUMENTS TO BE INSTALLED WITHIN CLASSIFIED AREAS SHALL BE EXPLOSION PROOF. IF THERE ARE ANY DISCREPANCIES BETWEEN SPECIFICATIONS, DRAWINGS AND CODE REQUIREMENTS SUCH AS NFPA 820, COMPLY WITH THE NEC AREA ELECTRICAL CLASSIFICATION IN NFPA 820 AND SUPPLY THE MOTORS (DRIVES), ACTUATORS OR INSTRUMENTS AS PER CLASSIFICATION REQUIREMENTS.
7. WHERE ANY BURIED PIPING IS EXTENDED FROM INSIDE BUILDING TO OUTSIDE, DOUBLE DRESSER COUPLINGS SHALL BE INSTALLED ON THE LINE AS PER THE CONTRACT DETAILED DRAWINGS. THE COUPLING MATERIAL SHALL BE THE SAME AS PIPELINE UNLESS OTHERWISE SPECIFIED OR APPROVED.
8. THE CONTRACT DRAWINGS ARE DEVELOPED BASED ON THE FIRST NAMED SUPPLIER OR ONE OF ACCEPTABLE SUPPLIERS. IF THE SELECTED VENDOR PROPOSES DIFFERENT CONFIGURATIONS OR DIMENSIONS WHICH MAY IMPACT ON THE PIPING/DUCTING (SIZE AND/OR LENGTH), SUPPORTS, ELECTRICAL REQUIREMENTS (CABLES AND/OR MOTOR SIZE), STRUCTURAL DIMENSIONS AND/OR LOCATIONS INCLUDING CONCRETE PAD DIMENSIONS, THE CONTRACTOR SHALL PROVIDE THE SHOP DRAWINGS TO PRESENT THE REVISED LAYOUT PLAN/SECTIONS WITH A PROFESSIONAL ENGINEER'S SEAL.
9. IF THERE IS A DISCREPANCY FOR THE VENDOR'S SUPPLY SCOPE OR WORK SHOWN ON THE PROCESS DRAWINGS, THE CONTRACTOR SHALL PROVIDE ALL REQUIRED PIPING, POWER CABLES AND COMMUNICATION CABLES FOR THE COMPLETE COMMISSIONING AND CONTROLS.
10. THE CONTRACT DRAWINGS MAY NOT PRESENT TEMPORARY UTILITIES, PUMPING, PIPING, VALVES AND OTHER REQUIRED SYSTEMS FOR THE WORK SEQUENCE. THE CONTRACTOR SHALL BE RESPONSIBLE FOR ALL TEMPORARY ITEMS WITH ELECTRICAL SYSTEMS TO MEET THE WORK AND SEQUENCING IN ACCORDANCE WITH SPECIFICATIONS. CONTRACTOR IS RESPONSIBLE TO SUPPLY POWER AND/OR FUEL TO ALL TEMPORARY PUMPING EQUIPMENT AND UTILITIES FOR THE DURATION OF OPERATION.
11. WHERE CONDUIT, CABLES, PIPING PASSES THROUGH FIRE RATED FLOORS OR WALLS, THE SLEEVES SHALL BE COMPLETELY SEALED WITH A FIRE STOP MATERIAL THAT IS UL LISTED AND ACCEPTED BY THE BUILDING AND FIRE DEPARTMENTS AS BEING SUITABLE FOR THIS SERVICE SUCH AS DOW CORNING CORP., SILICONE ELASTOMER, DOW CORNING 3-6548 SILICONE RTV FOAM OR APPROVED EQUAL. THIS MATERIAL SHALL BE INSTALLED IN ACCORDANCE WITH THE REQUIREMENTS OF THE MANUFACTURER TO MAINTAIN THE FIRE RATING OF THE PENETRATED WALL OR FLOOR. DETAILS MAY NOT BE SHOWN ON THE PROCESS DRAWINGS.
12. SOME PROCESS PLANS AND SECTIONS MAY BE DIAGRAMMATIC IN NATURE AND DO NOT ATTEMPT TO SHOW ALL REQUIRED OFFSETS.
13. ALL WORK SHALL BE INSTALLED IN ACCORDANCE WITH THE REQUIREMENTS OF ALL APPLICABLE CODES AND REGULATIONS INCLUDING BUT NOT LIMITED TO CANADA, PROVINCE, REGION, CITY AND LOCAL ORDINANCES WHICH MAY BE IN EFFECT. IT IS THE CONTRACTOR'S RESPONSIBILITY TO BE APPROVED BY ALL APPLICABLE CODE ENFORCEMENT AUTHORITIES AND PAY FOR ALL NECESSARY PERMITS AND APPROVALS FOR THE EQUIPMENT INSTALLATION, TESTING AND COMMISSIONING.
14. THE CONTRACTOR SHALL BE RESPONSIBLE FOR TESTING, ADJUSTING AND BALANCING (T.A.B.). T.A.B. WORK SHALL INCLUDE THE ENTIRE AIR CONTROL SYSTEMS. TOLERANCES SHALL BE +/-5% UNLESS OTHERWISE SPECIFIED.
15. FLANGE CONNECTIONS SHALL BE PROVIDED FOR DIFFERENT PIPE MATERIALS.
16. WITHOUT EXCEPTION, ALL ROTATING EQUIPMENT SHALL BE CHECKED. THE PEAK VIBRATION VELOCITY SHALL NOT EXCEED 1 MM/SEC (0.04 INCHES/SEC). MEASUREMENT SHALL BE CARRIED OUT WITH A REAL TIME ANALYZER, NICOLET 100 AA OR AN APPROVED EQUAL. PROVIDE A HARD COPY OF THE VIBRATION SIGNATURE SPECTRUM SHOWING VIBRATION VELOCITIES OVER A FREQUENCY RANGE OF 0 TO 2000 HZ. SHOULD THE EQUIPMENT FAIL TO MEET ALL THE REQUIREMENTS OR LIMITS, THE EQUIPMENT SHALL BE REJECTED AND REPLACED BY THE CONTRACTOR AT THE MANUFACTURER'S EXPENSE WITH ACCEPTABLE EQUIPMENT AT NO ADDITIONAL COST TO THE OWNER. OTHERWISE, PROVIDE THE ALTERNATIVE WAY TO RESOLVE IT WHICH SHALL BE REVIEWED BY THE ENGINEER.

PIPING, VALVES AND FITTINGS:

- 1. NEW OR EXISTING PIPELINES SHALL BE CONCRETE ENCASED IF THE LINES ARE LOCATED BELOW ANY STRUCTURES OR BUILDINGS. THE DIMENSION SHALL BE TWICE AS MUCH AS THE PIPE DIAMETER. THE ENCASEMENT OR DETAILS MAY NOT BE SHOWN ON THE PROCESS DRAWINGS.
2. THE PROCESS DRAWINGS MAY NOT PRESENT ALL REQUIRED COUPLINGS AND EXPANSION JOINTS. THE CONTRACTOR SHALL HAVE THE SUPPLIER REVIEW THE ENTIRE PIPELINES AND CONFIGURATIONS WITH PIPE SUPPORTS, AND SUBMIT THEIR REVIEW FOR THE ENGINEER'S APPROVAL. AS PER THE SUPPLIERS' RECOMMENDATIONS, THE LOCATIONS AND NUMBER OF COUPLING/EXPANSION JOINTS WITH SUPPORTS MAY BE CHANGED, BUT NO EXTRA COST TO THE OWNER SHALL BE PERMITTED UNLESS ADDITIONAL COUPLINGS, EXPANSION JOINTS AND SUPPORTS ARE REQUIRED TEN (10) PERCENT MORE THAN THEM SHOWN ON THE PROCESS DRAWINGS.
3. FLEXIBLE COUPLINGS SHALL BE APPLIED WHERE DEFLECTION WOULD OCCUR.
4. MINIMUM AXIAL MOVEMENT SHALL BE 25 MM AT EVERY CONSTRUCTION EXPANSION JOINT. CONTRACTOR SHALL PROVIDE MINIMUM 25 MM AXIAL MOVEMENT ALLOWANCE BY USING A COUPLING FOR THERMAL EXPANSION AND CONTRACTION.
5. VICTAULIC STYLE 231S FLEXIBLE EXPANSION JOINT SHALL BE PROVIDED ON THE TOP OF EVERY STRUCTURAL EXPANSION JOINTS UNLESS OTHERWISE SPECIFIED OR APPROVED BY THE ENGINEER.
6. THE CONTRACTOR SHALL INSTALL PIPING AND VALVES AS PER P&IDS IF THE PROCESS DESIGN DRAWINGS DO NOT PRESENT ANY INSTALLATION DETAILS OR CONNECTIONS.
7. COUPLINGS FOR MAINTENANCE MAY NOT BE SHOWN ON THE PROCESS DRAWINGS, BUT PROVIDE ONE (1) RIGID COUPLING PER EACH VALVE AND FLANGED INSTRUMENT.
8. PROVIDE CHAIN OPERATORS WITH CADMIUM PLATED CHAINS FOR ALL VALVES HAVING A DISTANCE FROM THE VALVE CENTER TO THE FLOOR GREATER THAN 2.0M.
9. MAXIMUM TEMPERATURE VARIATION OF AIR PIPE FROM BLOWER OR COMPRESSOR SHALL BE 90 CELSIUS DEGREE TO CALCULATE THE MAXIMUM EXPANSION/CONTRACTION UNLESS OTHERWISE SPECIFIED OR INFORMED BY THE COMPRESSOR, FAN OR BLOWER SUPPLIER. IN CASE THAT THE TEMPERATURE VARIATION IS HIGHER THAN 90 CELSIUS DEGREE AS PER DISCHARGE TEMPERATURE OF THE SELECTED BLOWER OR COMPRESSOR, PROVIDE ADDITIONAL EXPANSION JOINTS AND SUPPORTS ON THE PIPELINES.

- 10. UNLESS OTHERWISE SPECIFIED, APPLY SCHEDULE 80 STAINLESS STEEL PIPE TO AIR LINE WHERE THE PIPE SUPPORT SPAN IS LONGER THAN 6.0M. THE PIPE SHALL BE SHOP WELDED AS PER WELDING PROCEDURE IN SPECIFICATION ALONG WITH WELDER CERTIFICATES FOR SHOP WELDING.
11. NOZZLES FOR PIPE CONNECTIONS ONTO A LARGER PIPE MAY BE SHOP WELDED NOT TO HAVE TEE FITTINGS.
12. WHERE A VALVE IS INSTALLED ON VERTICAL LINE TO BE OPERATED AT UPPER LEVEL FLOOR, PROVIDE BEVEL GEAR ACTUATOR, EXTENSION STEM AND ADJUSTABLE SUPPORT. SS VALVE BOX C/W COVER MAY BE REQUIRED.
13. ALL PIPE PENETRATIONS THROUGH NEW WALLS AND FLOORS SHALL BE PROVIDED WITH PUDDLE FLANGES OR CLOSURE COLLARS AND BE TIGHTLY SEALED TO PREVENT THE TRANSMISSION OF WATER AND NOISE.
14. ALL PIPE SIZES SHOWN ARE INSIDE CLEAR. ADD APPROPRIATE DIMENSION FOR INSULATION OR LINER TO OBTAIN TOTAL PIPE SIZE.
15. STAINLESS STEEL 316 BOLTS AND NUTS SHALL BE USED FOR FLANGE CONNECTION BETWEEN DISSIMILAR MATERIAL PIPES.
16. IF ANY DUCTILE IRON FITTINGS ARE NOT FEASIBLE, PROVIDE CUSTOM-MADE SS FITTINGS AT NO EXTRA COST TO THE OWNER.
17. PROVIDE THE FLUSHING CONNECTIONS AS PER THE PROCESS DETAILS, ESPECIALLY, TWO CONNECTIONS SHALL BE REQUIRED FOR EACH VALVE ON THE SLUDGE AND SCUM LINES, UNLESS OTHERWISE SPECIFIED. THE CONNECTION PIPES MAY NOT BE PRESENT ON THE PROCESS DRAWINGS AND P&IDS.
18. UNLESS OTHERWISE NOTED, PROVIDE ECCENTRIC TYPE OF BENDS FOR ALL SLUDGE AND AIR PIPES.
19. FIELD LOCATE PIPE SUPPORTS AND PIPE FLANGES/COUPLINGS TO ENSURE THAT PIPE HARDWARE CAN BE INSTALLED AND REMOVED WITHOUT CONFLICT.

PIPE AND INSTRUMENT SUPPORTS:

- 1. THE CONTRACTOR SHALL PROVIDE THE DETAILED PIPING LAYOUT AND SUBMIT THE SHOP DRAWINGS STAMPED BY A PROFESSIONAL ENGINEER WHO SHALL COORDINATE THE EXPANSION JOINT INSTALLATION WITH THE MANUFACTURER.
2. IN CERTAIN LOCATIONS, PIPE SUPPORTS, ANCHORS, AND EXPANSION JOINTS HAVE BEEN INDICATED ON THE DRAWINGS, BUT NO ATTEMPT HAS BEEN MADE TO INDICATE EVERY PIPE/VALVE SUPPORT, ANCHOR, AND EXPANSION JOINT. IT SHALL BE CONTRACTOR'S RESPONSIBILITY TO PROVIDE A COMPLETE SYSTEM OF THE SUPPORTS, TO PROVIDE EXPANSION JOINTS, AND TO ANCHOR ALL PIPING, IN ACCORDANCE WITH THE REQUIREMENTS SPECIFIED HEREIN. ADDITIONAL PIPE SUPPORTS MAY BE REQUIRED ADJACENT TO EXPANSION JOINTS, COUPLINGS AND VALVES.
3. THERE MAY NOT BE INSTRUMENT SUPPORTS INDICATED ON THE CONTRACT DRAWINGS, BUT THE CONTRACTOR SHALL PROVIDE ALL REQUIRED STAINLESS STEEL SUPPORTS FOR THE INSTRUMENTS AS PER THE MANUFACTURER'S RECOMMENDATIONS. SUBMIT THE SHOP DRAWINGS FOR THE ENGINEER'S REVIEW AND APPROVAL.
4. THE PIPE SUPPORTS SHOWN ON THE CONTRACT DRAWINGS ARE TYPICAL DETAILS. THE CONTRACTOR MAY PROPOSE ALTERNATIVE PIPE SUPPORTS OR HANGERS FOR THE ENGINEER'S REVIEW.
5. PIPING SUPPORT SYSTEM COMPONENTS SHALL COMPLY WITH SPECIFIED PIPING CODE AND PRESSURE REQUIREMENTS. REFER TO PRESSURE REQUIREMENT FOR OPERATION AND PRESSURE TESTING.
6. STAINLESS STEEL SUPPORTS SHALL BE FURNISHED UNLESS OTHERWISE SPECIFIED AND APPROVED BY THE ENGINEER, AND SHALL BE AISI TYPE 304 STAINLESS STEEL.
7. WHERE SPECIFIED FOR USE IN SUBMERGED ENVIRONMENTS OR CHEMICAL LINES, ALL PIPE SUPPORTS COMPONENTS SHALL BE FABRICATED FROM 316L STAINLESS STEEL.
8. BASE OF STAINLESS STEEL TEE OR BEND SHALL BE PROVIDED WHERE A SUPPORT IS REQUIRED FOR THE TEE OR BEND. IT MAY BE A MANUFACTURER'S STANDARD BASE OR A STAINLESS STEEL PIPE TO BE WELDED TO THE SUPPORT AND FITTINGS AS PER THE PROCESS DETAILS.
9. PROVIDE THE PIPE EXPANSION JOINT WITH TWO PIPE SUPPORTS ON BOTH SIDE OF EXPANSION JOINTS ABOVE EVERY STRUCTURAL EXPANSION JOINTS. THE SPACING BETWEEN TWO SUPPORTS SHALL NOT BE MORE THAN 1.0M.
10. TYPICAL PIPE/VALVE SUPPORT DETAILS MAY NOT PRESENT ALL REQUIRED SUPPORTS. IN ACCORDANCE WITH ALL TYPICAL PIPE SUPPORTS IN THE CONTRACT DRAWINGS, THE CONTRACTOR SHALL SUBMIT THE FINAL PIPE SUPPORT DETAILS WITH EXPANSION JOINTS AND COUPLINGS FOR THE ENGINEER'S REVIEW. MODIFICATION MAY BE PERMITTED AT NO EXTRA COST TO THE OWNER.
11. PIPE HANGER SHALL NOT BE CONSIDERED AS A FIXED POINT SUPPORT.
12. A FIXED POINT SUPPORT SHALL BE INSTALLED AT EVERY BEND UNLESS OTHERWISE SPECIFIED.
13. ANCHORS OF PIPE SUPPORT SHALL BE A MINIMUM OF 150 MM AWAY FROM THE STRUCTURAL EXPANSION JOINTS.
14. FRP OR SS316L PIPE SUPPORTS TO BE APPLIED TO CHEMICAL LINES.
15. PROVIDE HANGERS FOR THE VALVES WITH HORIZONTAL INSTALLATION FOR 350 MM OR LARGER SIZES. SUBMIT THE VALVE WEIGHT DATA AND HANGERS WITH REQUIRED DESIGN LOAD.
16. A FORMAL REQUEST MUST BE MADE IN ADVANCE OF ANY SHOP DRAWING SUBMITTALS. IF THE PIPE SUPPORT STAMPING ENGINEER WOULD LIKE TO DEVIATE FROM ANY OF THE DESIGN CRITERIA PROVIDED IN THE CONTRACT DOCUMENTS, APPROVAL OF THIS REQUEST SHALL BE AT THE FULL DISCRETION OF THE OWNER AND CONSULTANT.
17. IF THE PIPE SUPPORT STAMPING ENGINEER PROPOSES LESS COUPLINGS AND SUPPORTS THAN SHOWN IN THE TENDER DOCUMENTS, A CREDIT CHANGE ORDER SHALL BE ISSUED BASED ON PROVISIONAL ITEM PRICING OR VENDOR'S QUOTES FOR THE ASSOCIATED NUMBER OF COUPLINGS AND SUPPORTS.

EQUIPMENT PADS AND CONNECTION:

- 1. IF A LARGE SIZE OF CONNECTION PIPING IS REQUIRED FOR THE SELECTED EQUIPMENT, PROVIDE ALL PIPING, FITTINGS, SUPPORTS, COUPLINGS, FLEXIBLE CONNECTORS AND VALVES FOR THE LINE CONNECTION.
2. REFER TO TYPICAL DETAILS OF EQUIPMENT PAD ON THE STRUCTURAL DRAWINGS AND APPROXIMATE DIMENSIONS ON THE PROCESS DRAWINGS.
3. THE EQUIPMENT PADS SHOWN ON THE PROCESS DRAWINGS ARE BASED ON ONE OF ACCEPTABLE SUPPLIERS OR FIRST NAMED, THE CONTRACTOR SHALL PROVIDE THE REQUIRED CONCRETE PADS TO ACCOMMODATE THE SELECTED EQUIPMENT.
4. THE CLEARANCE FROM THE EQUIPMENT FRAME OR ANCHOR BOLTS TO THE EDGE OF CONCRETE PAD IS SPECIFIED IN THE STRUCTURAL DETAILS. THE HEIGHT OF EQUIPMENT PADS MAY BE CHANGED DUE TO THE FINAL APPROVED SELECTED EQUIPMENT AND CONNECTION PIPING. CONTRACTOR TO COORDINATE ALL HEIGHTS PRIOR TO CASTING CONCRETE SUPPORTS.

PIPING INSULATION AND HEAT TRACING:

- 1. PROVIDE PIPING INSULATION FOR PROCESS PIPING AS SPECIFIED IN CONTRACT DRAWINGS.
2. WHERE ODOROUS AIR, WATER, SLUDGE OR CHEMICAL PIPING IS LOCATED OUTSIDE THE BUILDING, BUT ABOVE THE FREEZING DEPTH (1.5M), THE PIPING SHALL BE INSULATED AND HEAT TRACED AS SPECIFIED HEREIN AND PER THE PROCESS DRAWINGS IF THE REQUIREMENTS ARE NOT PRESENT ON THE ELECTRICAL DRAWINGS. THE PIPE SHALL BE INSULATED WITH A COMPLETE INTEGRAL CONDUIT FOR THE ELECTRIC HEAT TRACE CABLE.
3. CITY AND PLANT EFFLUENT WATER PIPES INSIDE THE BUILDING/TUNNEL, CHAMBER SHALL BE INSULATED FOR ANTI-SWEAT WITH A MINIMUM OF 25 MM OF POLYURETHANE FOAM SHEET C/W PVC JACKET. UNLESS OTHERWISE SPECIFIED.
4. PROCESS AIR PIPE, HPEW AND POTABLE LINES LOCATED INSIDE THE BUILDING, GALLERY AND TUNNELS SHALL BE INSULATED WITH 50 MM POLYURETHANE FOAM C/W ALUMINUM JACKET, UNLESS OTHERWISE SPECIFIED.
5. DO NOT INSTALL COVERING BEFORE PIPING AND EQUIPMENT HAS BEEN TESTED AND APPROVED.

SLIDE (SLUICE) AND CHANNEL GATE:

- 1. GATES HAVING A WIDTH GREATER THAN TWO (2) TIMES THEIR HEIGHT SHALL BE PROVIDED WITH TWO (2) LIFTING MECHANISMS CONNECTED BY A TANDEM SHAFT WHETHER OR NOT IT IS INDICATED ON THE CONTRACT DRAWINGS.
2. ASSUME THAT TWO (2) LIFTING MECHANISMS (STEMS) MAY BE REQUIRED FOR THE GATE WIDTH LARGER THAN 2.0M. THE STEMS MAY NOT BE SHOWN ON THE CONTRACT DRAWINGS.
3. ALL CHANNEL GATES SHALL BE INSTALLED WITH BOX-OUTS ON WALL AND BOTTOM OF NEW CHANNELS. THE BOX-OUT DETAILS SHALL BE INCLUDED IN THE SUBMITTAL.
4. ALL OPENINGS ON CHECKERED PLATES AND GRATING COVERS FOR GATES SHALL BE CONFIRMED WITH THE PROCESS ENGINEER IN TERMS OF SIZE AND LOCATIONS BECAUSE OF YOKE OR BRACKET REQUIREMENTS.

SUBMERSIBLE PUMP INSTALLATION:

- 1. PROVIDE THE GALVANIZED CROSS HSS FOR THE MOUNTING BRACKETS TO SUPPORT THE GUIDE SYSTEM UNLESS THE BRACKET IS DIRECTLY ANCHORED ON THE CONCRETE WALL OR SLAB.
2. THE CONTRACTOR SHALL DESIGN IT FOR THE ENGINEER'S REVIEW AND INSTALL IT FOR ALL SUBMERSIBLE PUMPS.
3. PROVIDE A 100mm PVC VENT PIPE TO THE OUTSIDE OR CHANNEL FROM THE SUMP PIT WHICH MAY NOT BE SHOWN. DISCHARGE POINTS TO BE HIGHER A MINIMUM 300mm HIGHER THAN WATER LEVEL.

LEGEND:

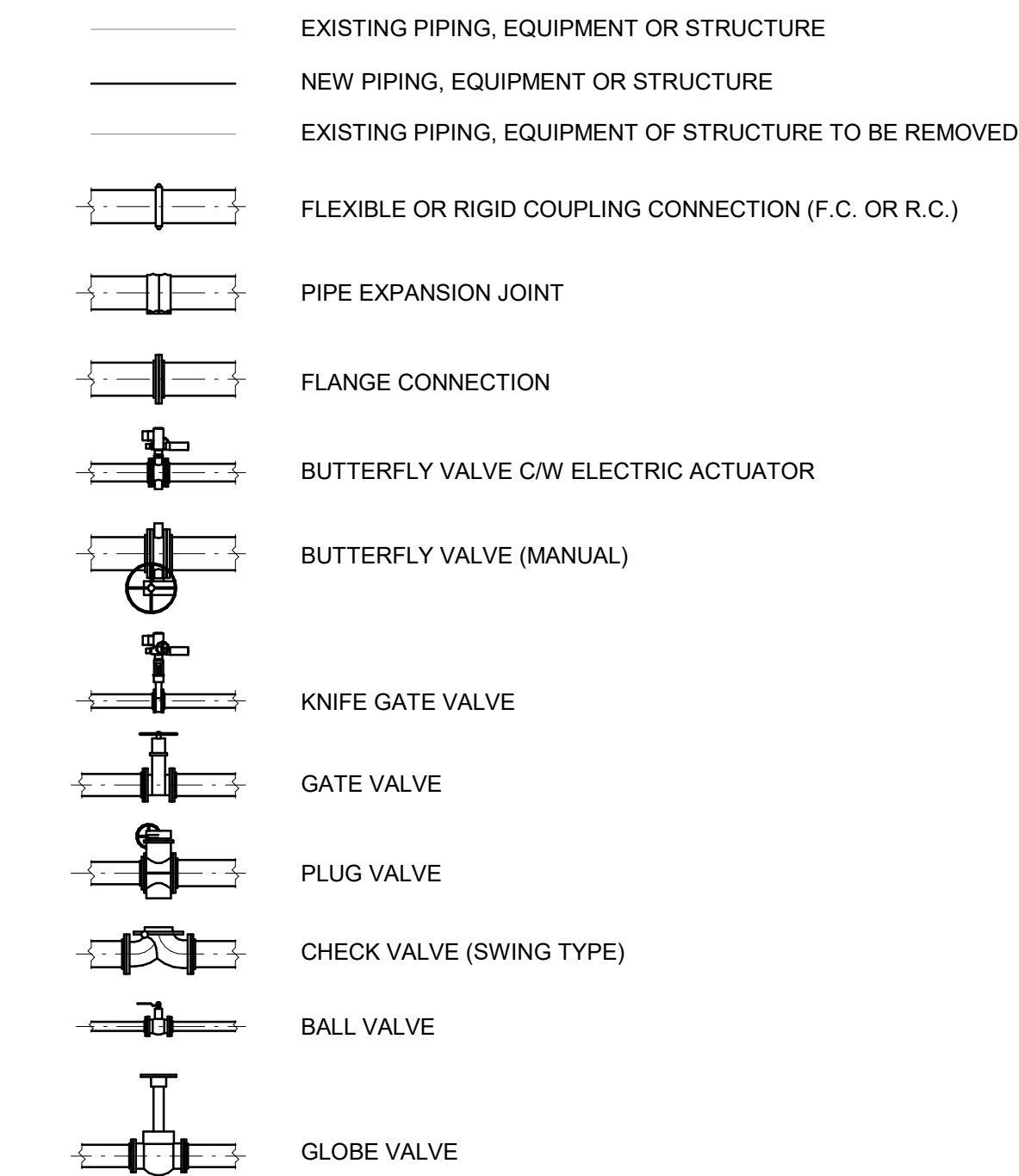
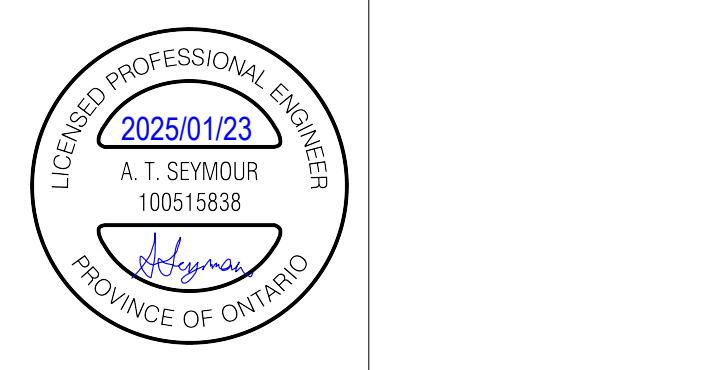


Table with columns for Date, No., and Revision. Includes entries for 2025/01/23 and 2024/08/23.

THE DRAWINGS, ARRANGEMENTS, ANNOTATIONS AND GRAPHICAL PRESENTATIONS ON THIS DOCUMENT ARE THE PROPERTY OF EVB ENGINEERING WHO RETAINS OWNERSHIP AND AUTHORSHIP OF THIS DOCUMENT IN ITS ENTIRETY. THIS DOCUMENT IS AN INSTRUMENT OF SERVICE AND IS THE INTELLECTUAL AND PHYSICAL PROPERTY OF EVB ENGINEERING. AUTHORIZED USE OF THIS DRAWING IS GRANTED SOLELY FOR THE PURPOSE OF THIS SPECIFIC PROJECT AND LOCATION, AND NOT FOR CONSTRUCTION OR USE FOR ANY OTHER PROJECT. COPYRIGHT © 2024 EVB ENGINEERING.



CONSULTANT: EVB ENGINEERING, 800 SECOND STREET WEST, CORNWALL, ONTARIO CANADA, K6J 1H6, TEL: 613-935-3775 | FAX: 613-935-6450, WEBSITE: EVBengineering.com

SUB-CONSULTANT: CIM+ logo

CLIENT: Greater Napanee logo, BRANDS FOR WHAT MATTERS

PROJECT: NEW NAPANEE WPCP

TITLE: PROCESS GENERAL NOTES AND LEGEND

Table with columns for Scale, Job No., Designed By, Date, Drawn By, Drawing No., Checked By. Values include NTS, 22001, K.K. & A.S., 2025/01/23, D.C., P0017, B.Y.

VALVE LIST - HEADWORKS (1000)

VALVE TAG	MARK	SIZE	SPECIFICATION	P&ID DRAWING No.	VALVE TAG
1014		80	BALL	P0003	1014
1015		80	BALL	P0003	1015
1016	†	80	BALL	P0003	1016
1017		65	SELF ACTUATED	P0003	1017
1018	†	12	BALL	P0003	1018
1019	†	6	BALL	P0003	1019
1020		65	CHECK	P0003	1020
1021	†	12	BALL	P0003	1021
1022	†	12	SOLENOID BALL	P0003	1022
1023	†	12	BALL	P0003	1023
1024	†	12	SOLENOID BALL	P0003	1024
1025	†	80	BALL	P0003	1025
1026		65	SELF ACTUATED	P0003	1026
1027	†	12	BUTTERFLY	P0003	1027
1028	†	6	BALL	P0003	1028
1029		65	CHECK	P0003	1029
1030	†	12	BALL	P0003	1030
1031	†	12	SOLENOID BALL	P0003	1031
1032	†	12	BALL	P0003	1032
1033	†	12	SOLENOID BALL	P0003	1033
1034	†	80	BALL	P0003	1034
1035	†	12	BALL	P0003	1035
1036		65	SELF ACTUATED	P0003	1036
1037	†	6	BALL	P0003	1037
1038		65	CHECK	P0003	1038
1039	†	12	BALL	P0003	1039
1040	†	12	SOLENOID BALL	P0003	1040
1041	†	150	MOTORIZED PLUG	P0003	1041
1047	†	38	BALL	P0004	1047
1048		25	BALL	P0004	1048
1049		38	SELF ACTUATED	P0004	1049
1050	†	12	BALL	P0004	1050
1051		38	BALL	P0004	1051
1052	†	38	SOLENOID BALL	P0004	1052
1053		25	BALL	P0004	1053
1055		25	BALL	P0003	1055
1056		12	BALL	P0003	1056
1057	†	100	CHECK	P0003	1057
1058		12	BALL	P0003	1058
1059		25	BALL	P0003	1059
1060		100	PLUG	P0003	1060
1061	†	6	BALL	P0003	1061
1062		25	BALL	P0003	1062
1063		12	BALL	P0003	1063
1064	†	100	CHECK	P0003	1064
1065		12	BALL	P0003	1065
1066		25	BALL	P0003	1066
1067		100	PLUG	P0003	1067
1068		6	BALL	P0003	1068
1069		50	BALL	P0003	1069
1070		100	PLUG	P0003	1070
1071		100	PLUG	P0003	1071
1074		300	CHECK	P0004	1074
1075		300	PLUG	P0004	1075
1076		300	CHECK	P0004	1076
1077		300	PLUG	P0004	1077
1078		300	CHECK	P0004	1078
1079		300	PLUG	P0004	1079
1080		300	CHECK	P0004	1080
1081		300	PLUG	P0004	1081
VALVE TAG	MARK	SIZE	SPECIFICATION	P&ID DRAWING No.	VALVE TAG

VALVE LIST - AGS (2000)

VALVE TAG	MARK	SIZE	SPECIFICATION	P&ID DRAWING No.	VALVE TAG
2011					2011
2012	▲▲	150	MOTORIZED BUTTERFLY	P0005	2012
2013	▲▲	100	MOTORIZED BUTTERFLY	P0005	2013
2014	▲▲	100	BUTTERFLY	P0005	2014
2015	▲▲	100	MOTORIZED BUTTERFLY	P0005	2015
2017					2017
2018	▲▲	150	MOTORIZED BUTTERFLY	P0005	2018
2019	▲▲	100	MOTORIZED BUTTERFLY	P0005	2019
2020	▲▲	100	BUTTERFLY	P0005	2020
2021	▲▲	100	MOTORIZED BUTTERFLY	P0005	2021
2022		80	BUTTERFLY	P0005	2022
2023		80	BUTTERFLY	P0005	2023
2024		80	BUTTERFLY	P0005	2024
2025		80	BUTTERFLY	P0005	2025
2026		80	BUTTERFLY	P0005	2026
2027		80	BUTTERFLY	P0005	2027
2028		50	BALL	P0005	2028
2029		50	BALL	P0005	2029
2030	▲▲	150	MOTORIZED BUTTERFLY	P0005	2030
2031	▲▲	100	MOTORIZED BUTTERFLY	P0005	2031
2032	▲▲	100	BUTTERFLY	P0005	2032
2033	▲▲	100	MOTORIZED BUTTERFLY	P0005	2033
2034		80	BUTTERFLY	P0005	2034
2035	▲▲	450	MOTORIZED KNIFEGATE	P0005	2035
2036	▲▲	450	MOTORIZED KNIFEGATE	P0005	2036
2037	▲▲	450	MOTORIZED KNIFEGATE	P0005	2037
2038	▲▲	450	MOTORIZED KNIFEGATE	P0005	2038
2039	▲▲	450	KNIFEGATE	P0005	2039
2040		50	BALL	P0005	2040
2041	▲▲	450	MOTORIZED KNIFEGATE	P0005	2041
2042	▲▲	450	KNIFEGATE	P0005	2042
2043		50	BALL	P0005	2043
2044	▲▲	450	MOTORIZED KNIFEGATE	P0005	2044
2045	▲▲	450	KNIFEGATE	P0005	2045
2046		50	BALL	P0005	2046
2047	▲▲	400	MOTORIZED KNIFEGATE	P0005	2047
2048	▲▲	400	KNIFEGATE	P0005	2048
2049	▲▲	400	MOTORIZED KNIFEGATE	P0005	2049
2050	▲▲	400	KNIFEGATE	P0005	2050
2051		50	BALL	P0005	2051
2052	▲▲	400	MOTORIZED KNIFEGATE	P0005	2052
2053	▲▲	400	KNIFEGATE	P0005	2053
2054		50	BALL	P0005	2054
2055	▲▲	450	MOTORIZED BUTTERFLY	P0005	2055
2056	▲▲	450	MOTORIZED BUTTERFLY	P0005	2056
2057		50	BALL	P0005	2057
2058		50	BALL	P0005	2058
2059		50	BALL	P0005	2059
2060		200	MOTORIZED PLUG	P0006	2060
2061		200	MOTORIZED PLUG	P0006	2061
2062		200	PLUG	P0006	2062
2063		25	BALL	P0006	2063
2064		150	CHECK	P0006	2064
2065	▲▲	100	PLUG	P0006	2065
2066		25	BALL	P0006	2066
2067		150	CHECK	P0006	2067
2068	▲▲	100	PLUG	P0006	2068
2069	▲▲	150	MOTORIZED PLUG	P0006	2069
2070	▲▲	150	MOTORIZED PLUG	P0006	2070
2071	▲▲	150	MOTORIZED PLUG	P0006	2071
2072	▲▲	150	MOTORIZED PLUG	P0006	2072
2073		100	PLUG	P0006	2073
2074		100	PLUG	P0006	2074
VALVE TAG	MARK	SIZE	SPECIFICATION	P&ID DRAWING No.	VALVE TAG

VALVE LIST - OPERATIONS BUILDING (3000)

VALVE TAG	MARK	SIZE	SPECIFICATION	P&ID DRAWING No.	VALVE TAG
3010		25	BALL	P0016	3010
3011		80	MOTORIZED BALL	P0016	3011
3012		100	BALL	P0016	3012
3013		25	BALL	P0016	3013
3014		50	BALL	P0016	3014
3015		25	BALL	P0016	3015
3016		25	BALL	P0016	3016
3017		80	MOTORIZED BALL	P0016	3017
3018		100	BALL	P0016	3018
3019		25	BALL	P0016	3019
3020		50	BALL	P0016	3020
3021		25	BALL	P0016	3021
3022		50	BALL	P0016	3022
3023		25	BALL	P0016	3023
3024		25	BALL	P0016	3024
3025		25	BALL	P0016	3025
3026		25	BALL	P0016	3026
3027		25	BALL	P0016	3027
3028		25	BALL	P0016	3028
3029		25	BALL	P0016	3029
3030		12	SELF ACTUATED	P0016	3030
3031		12	SELF ACTUATED	P0016	3031
3032		12	BALL	P0016	3032
3033		12	BALL	P0016	3033
3034		12	BALL	P0016	3034
3035		12	BALL	P0016	3035
3036		25	BALL	P0016	3036
3037		25	BALL	P0016	3037
3038		25	BALL	P0016	3038
3039		12	SELF ACTUATED	P0016	3039
3040		12	BALL	P0016	3040
3041		12	BALL	P0016	3041
3042		12	BALL	P0016	3042
3043		12	BALL	P0016	3043
3044		19	SELF ACTUATED	P0016	3044
3045		19	SELF ACTUATED	P0016	3045
3046		12	BALL	P0016	3046
3047		19	BALL	P0016	3047
3048		19	BALL	P0016	3048
3049		19	BALL	P0016	3049
3060		50	BALL	P0007	3060
3061		50	BALL	P0007	3061
3062		50	BALL	P0007	3062
3063		25	BALL	P0007	3063
3064		25	BALL	P0007	3064
3065		25	CHECK	P0007	3065
3066		25	BALL	P0007	3066
3067		25	CHECK	P0007	3067
3068		25	BALL	P0007	3068
3069		25	BALL	P0007	3069
3070		25	CHECK	P0007	3070
3071		25	BALL	P0007	3071
3072		25	CHECK	P0007	3072
3073		25	BALL	P0007	3073
3074		25	BALL	P0007	3074
3075		25	BALL	P0007	3075
3076		25	BALL	P0007	3076
3077		25	BALL	P0007	3077
3078		25	SELF ACTUATED	P0007	3078
3079		6	BALL	P0007	3079
3080		25	SOLENOID BALL	P0007	3080
3081		25	BALL	P0007	3081
3082		25	BALL	P0007	3082
3083		25	BALL	P0007	3083
3084		25	SELF ACTUATED	P0007	3084
3085		6	BALL	P0007	3085
3086		25	SOLENOID BALL	P0007	3086
3087		100	MOTORIZED PLUG	P0007	3087
3088		100	PLUG	P0007	3088
3089		25	BALL	P0007	3089
3090		50	BALL	P0007	3090
3091		38	BALL	P0007	3091
3092		100	MOTORIZED PLUG	P0007	3092
3093		100	PLUG	P0007	3093
3094		25	BALL	P0007	3094
3095		50	BALL	P0007	3095
3096		38	BALL	P0007	3096
3097		25	BALL	P0007	3097
VALVE TAG	MARK	SIZE	SPECIFICATION	P&ID DRAWING No.	VALVE TAG

VALVE LIST - OPERATIONS BUILDING (3000)

VALVE TAG	MARK	SIZE	SPECIFICATION	P&ID DRAWING No.	VALVE TAG
3098		80	CHECK	P0007	3098
3099		80	PLUG	P0007	3099
3100		25	BALL	P0007	3100
3101		80	CHECK	P0007	3101
3102		80	PLUG	P0007	3102
3103		80	BALL	P0007	3103
3104		25	BALL	P0007	3104
3105		25	BALL	P0007	3105
3106		50	BALL	P0007	3106
3107		50	BALL	P0007	3107
3110	#	25	BALL	P0015	3110
3111	#	25	BALL	P0015	3111
3112	#	25	SELF ACTUATED	P0015	3112
3113	#	12	BALL	P0015	3113
3114	#	25	CHECK	P0015	3114
3115	#	25	BALL	P0015	3115
3116	#	25	SOLENOID BALL	P0015	3116
3117	#	19	NEEDLE	P0015	3117
3118	#	19	GLOBE	P0015	3118
3119	#	25	BALL	P0015	3119
3120	#	12	BALL	P0015	3120
3121	#	12	BALL	P0015	3121
3122	#	6	BALL	P0015	3122
3123	#	12	NEEDLE	P0015	3123
3124	#	12	CHECK	P0015	3124

VALVE LIST - TERTIARY/UV BUILDING (4000)

VALVE TAG	MARK	SIZE	SPECIFICATION	P&ID DRAWING No.	VALVE TAG
4010		600	MOTORIZED KNIFEGATE	P0008	4010
4011		750	KNIFEGATE		4011
4012		450	MOTORIZED PLUG	P0008	4012
4013		450	MOTORIZED KNIFEGATE	P0008	4013
4014	▲▲	50	MOTORIZED BALL	P0008	4014
4015	▲▲	50	MOTORIZED BALL	P0008	4015
4016	▲▲	50	MOTORIZED BALL	P0008	4016
4017	▲▲	50	MOTORIZED BALL	P0008	4017
4018	▲▲	50	MOTORIZED BALL	P0008	4018
4019	▲▲	50	MOTORIZED BALL	P0008	4019
4020	▲▲	50	MOTORIZED BALL	P0008	4020
4021	▲▲	50	BALL	P0008	4021
4022	▲▲	80	BALL	P0008	4022
4023		80	CHECK	P0008	4023
4024		75	BALL	P0008	4024
4025		6	BALL	P0008	4025
4026	▲▲	80	BALL	P0008	4026
4030		450	MOTORIZED PLUG	P0008	4030
4031		450	MOTORIZED KNIFEGATE	P0008	4031
4032	▲▲	50	MOTORIZED BALL	P0008	4032
4033	▲▲	50	MOTORIZED BALL	P0008	4033
4034	▲▲	50	MOTORIZED BALL	P0008	4034
4035	▲▲	50	MOTORIZED BALL	P0008	4035
4036	▲▲	50	MOTORIZED BALL	P0008	4036
4037	▲▲	50	MOTORIZED BALL	P0008	4037
4038	▲▲	50	MOTORIZED BALL	P0008	4038
4039	▲▲	50	BALL	P0008	4039
4040	▲▲	80	BALL	P0008	4040
4041		80	CHECK	P0008	4041
4042		75	BALL	P0008	4042
4043		6	BALL	P0008	4043
4044	▲▲	80	BALL	P0008	4044
4049		450	MOTORIZED PLUG	P0008	4049
4050		450	MOTORIZED KNIFEGATE	P0008	4050
4051	▲▲	50	MOTORIZED BALL	P0008	4051
4052	▲▲	50	MOTORIZED BALL	P0008	4052
4053	▲▲	50	MOTORIZED BALL	P0008	4053
4054	▲▲	50	MOTORIZED BALL	P0008	4054
4055	▲▲	50	MOTORIZED BALL	P0008	4055
4056	▲▲	50	MOTORIZED BALL	P0008	4056
4057	▲▲	50	MOTORIZED BALL	P0008	4057
4058	▲▲	50	BALL	P0008	4058
4059	▲▲	80	BALL	P0008	4059
4060		80	CHECK	P0008	4060
4061		75	BALL	P0008	4061
4062		6	BALL	P0008	4062
4063	▲▲	80	BALL	P0008	4063
4070		600	MOTORIZED KNIFEGATE	P0009	4070

VALVE LIST - DIGESTERS (5000)

VALVE TAG	MARK	SIZE	SPECIFICATION	P&ID DRAWING No.	VALVE TAG
5010		100	PLUG	P0013	5010
5011		100	PLUG	P0013	5011
5012		200	PLUG	P0013	5012
5013		200	PLUG	P0013	5013
5014					5014
5015					5015
5016					5016
5017					5017

VALVE LIST - ON-SITE PUMPING STATION (6000)

VALVE TAG	MARK	SIZE	SPECIFICATION	P&ID DRAWING No.	VALVE TAG
6010		200	CHECK	P0014	6010
6011		200	PLUG	P0014	6011
6012		200	CHECK	P0014	6012
6013		200	PLUG	P0014	6013
6014					6014
6015					6015
6016					6016
6017					6017
6018					6018
6019					6019
6020					6020
6021					6021
6022					6022
6023					6023
6024					6024
6025					6025
6026					6026

11/02/2021 - Napanee WPCP Upgrade E.Dwg - WPCP & P-Process 1.0 P&ID 20210110 P0008-0021.dwg Jan 24, 2025 2:55pm by Kevin White

DATE	No.	REVISION
2025/01/23	2	ISSUED FOR TENDER
2024/08/23	1	ISSUED FOR ECA APPROVAL

THE DRAWINGS, ARRANGEMENTS, ANNOTATIONS AND GRAPHICAL PRESENTATIONS ON THIS DOCUMENT ARE THE PROPERTY OF EVB ENGINEERING WHO RETAINS OWNERSHIP AND AUTHORSHIP OF THIS DOCUMENT IN ITS ENTIRETY. THIS DOCUMENT IS AN INSTRUMENT OF SERVICE AND IS THE INTELLECTUAL AND PHYSICAL PROPERTY OF EVB ENGINEERING. AUTHORIZED USE OF THIS DRAWING IS GRANTED SOLELY FOR THE PURPOSE OF THIS SPECIFIC PROJECT AND LOCATION, AND NOT FOR CONSTRUCTION OR USE FOR ANY OTHER PROJECT. COPYRIGHT © 2024 EVB ENGINEERING.



CONSULTANT:
 **EVB ENGINEERING**
 800 SECOND STREET WEST
 CORNWALL, ONTARIO CANADA, K6J 1H6
 TEL: 613-935-3775 | FAX: 613-935-6450
 WEBSITE: EVBengineering.com

SUB-CONSULTANT:

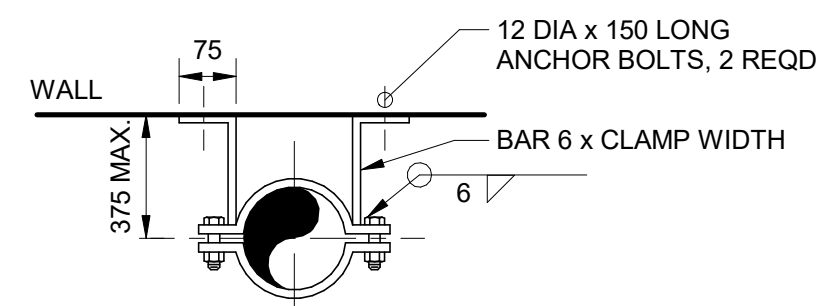

CLIENT:

 GREATER FOR MANY REASONS

PROJECT:
 NEW NAPANEE WPCP

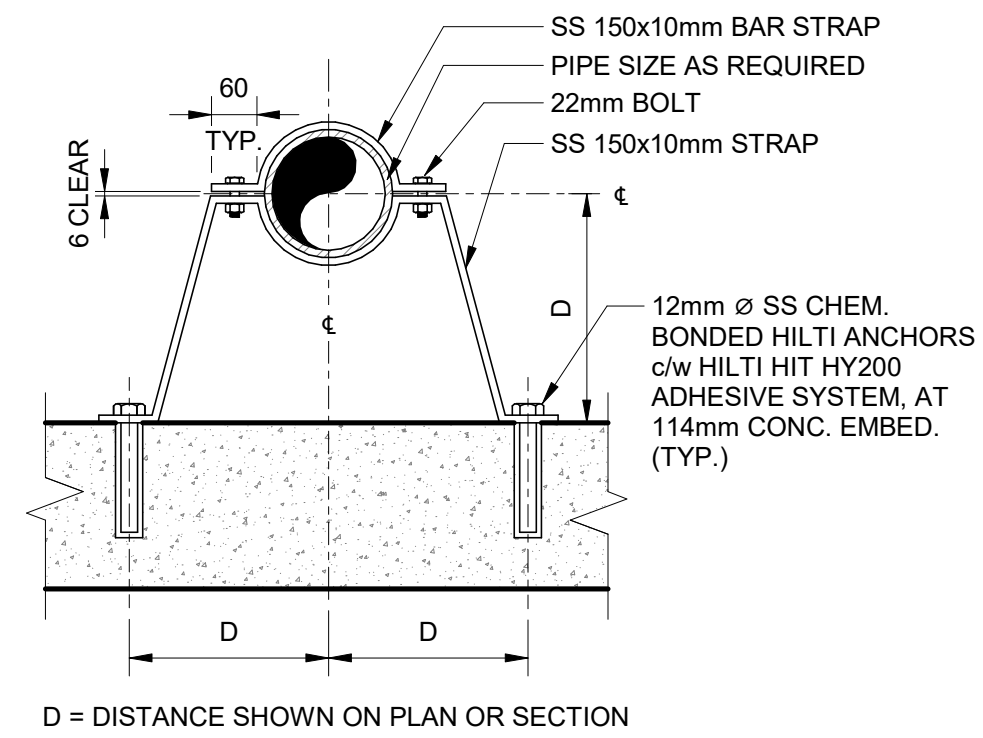
TITLE:
 VALVE LIST

SCALE: N.T.S.	JOB NO: 22001
DESIGNED BY: M.M.	DATE: 2025/01/23
DRAWN BY: K.B.W.	DRAWING NO. P0021
CHECKED BY: J.B.	



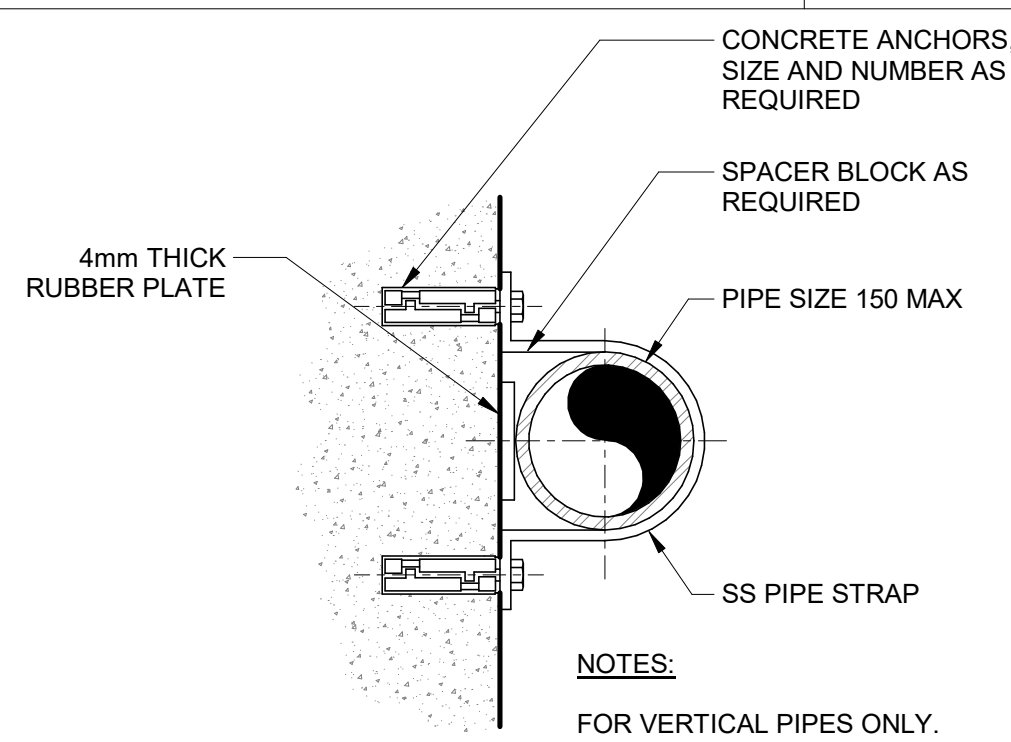
1 PIPE SWAY BRACE

SCALE: NTS



2 VERTICAL PIPE SUPPORT

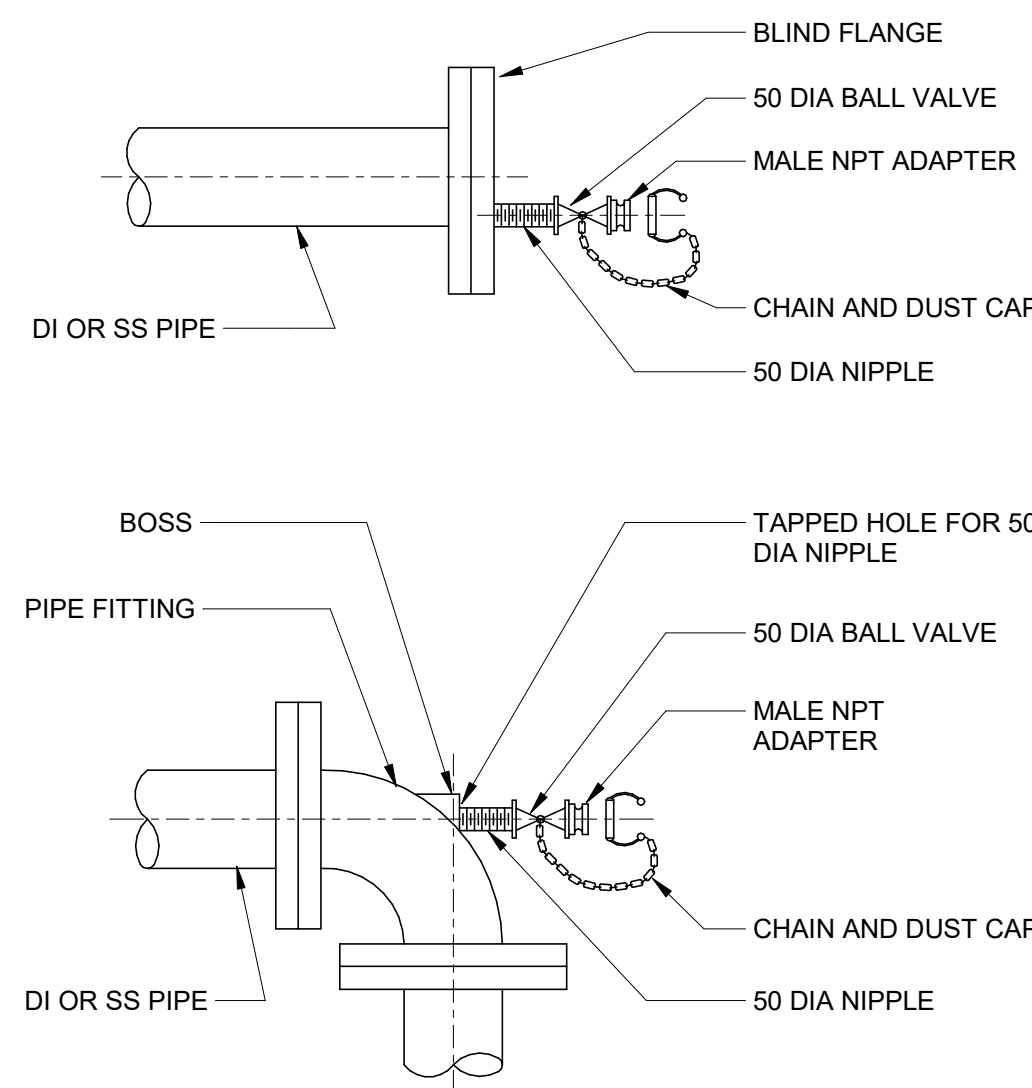
SCALE: NTS



3 PIPE SUPPORT

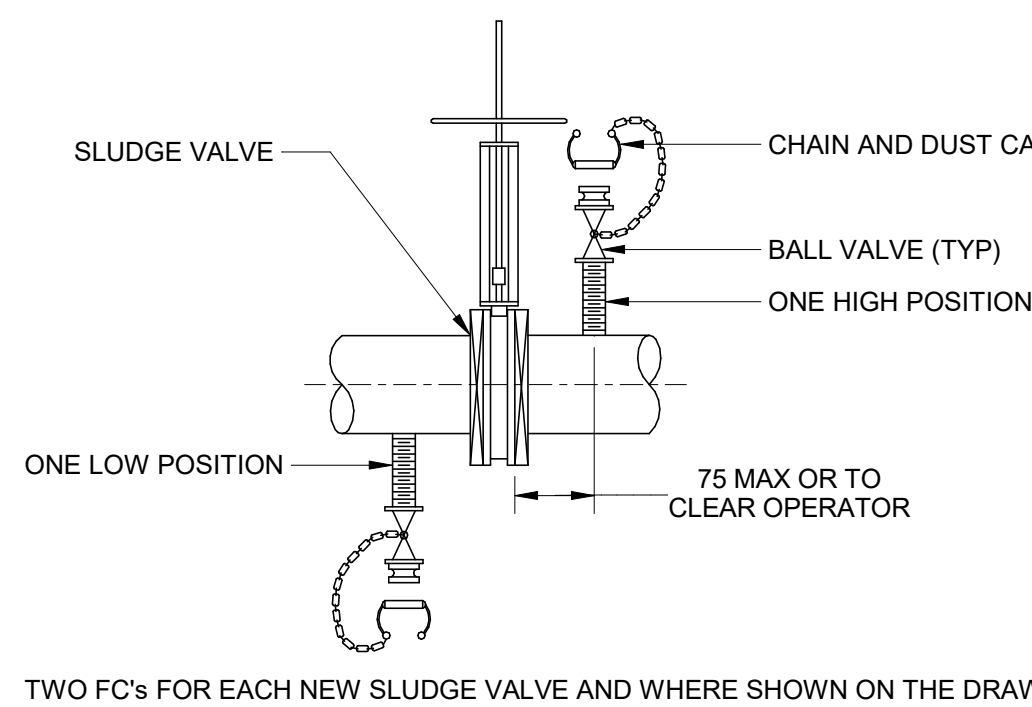
SCALE: NTS

NOTES:
FOR VERTICAL PIPES ONLY.

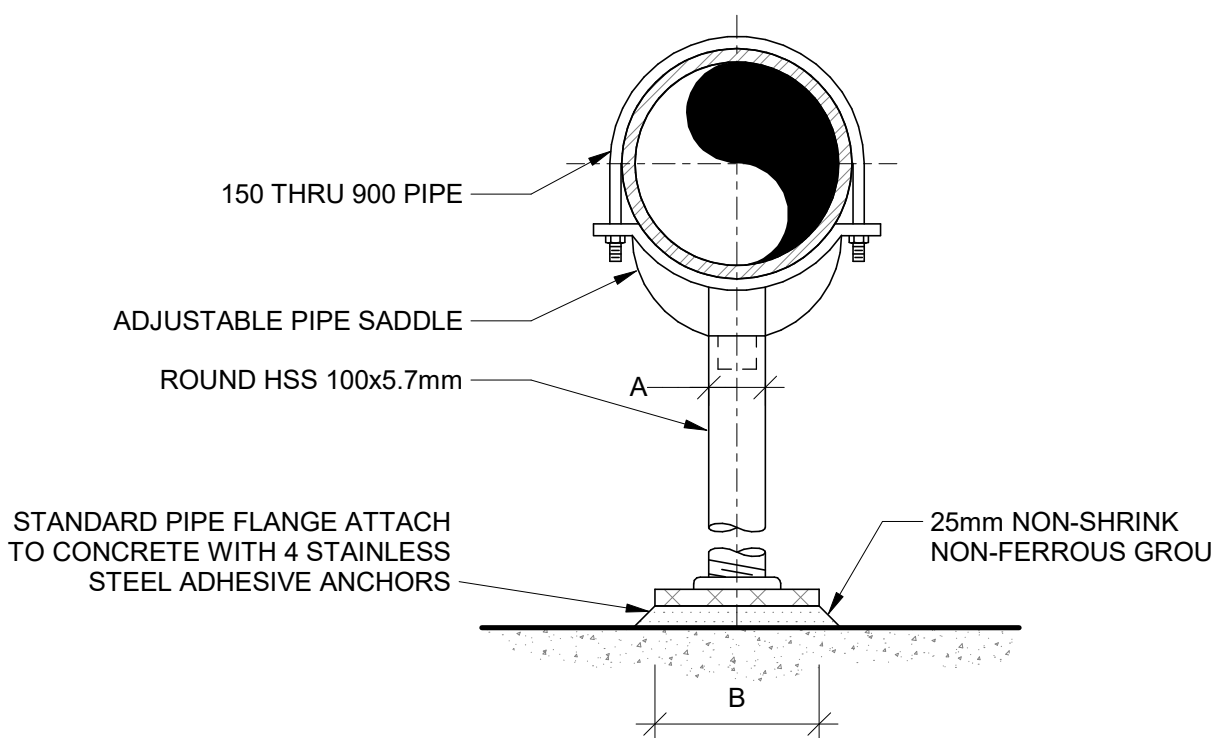
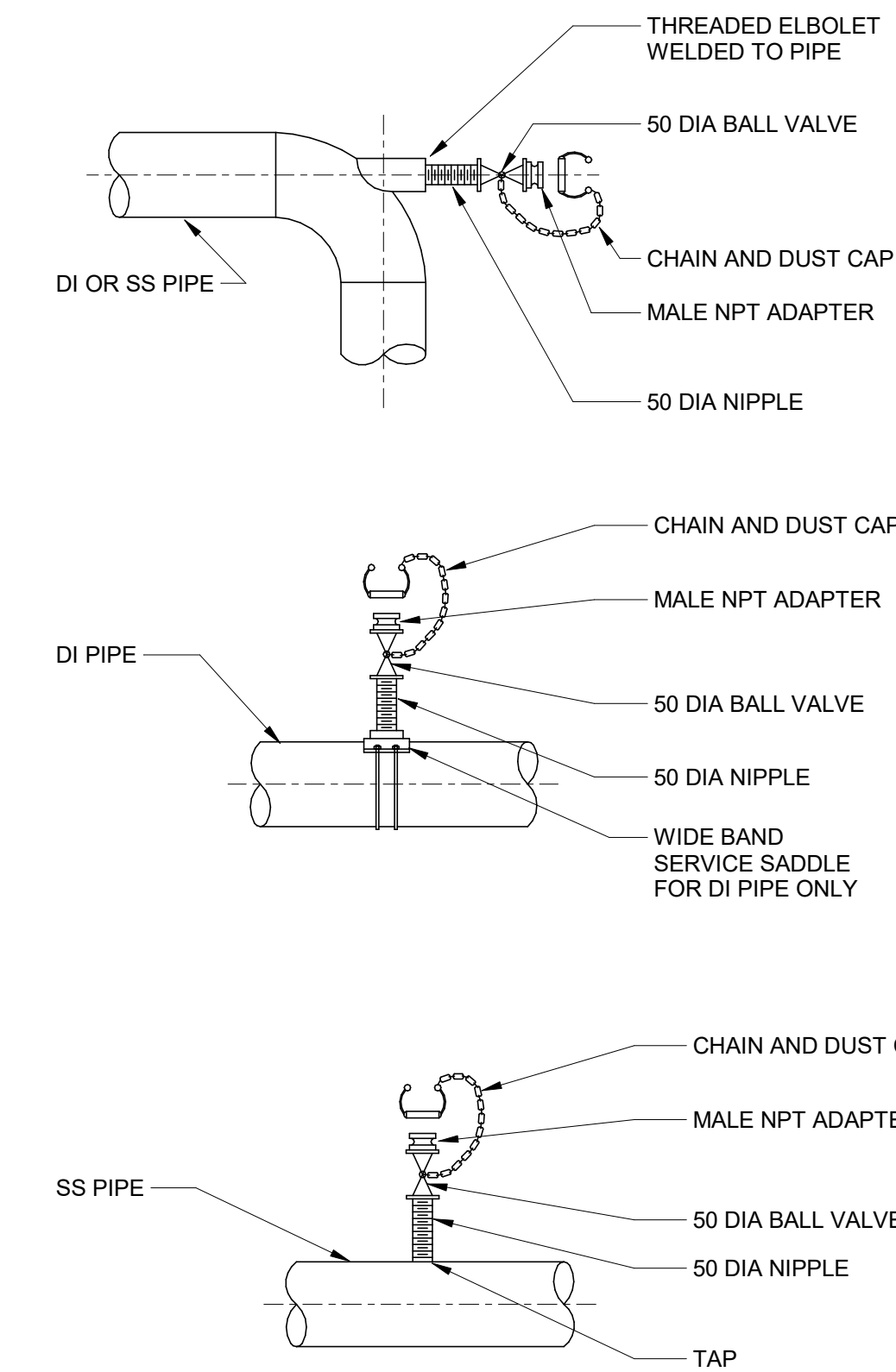


4 TYPICAL FLUSHING CONNECTIONS FOR SLUDGE PIPES

SCALE: NTS



TWO FC's FOR EACH NEW SLUDGE VALVE AND WHERE SHOWN ON THE DRAWING



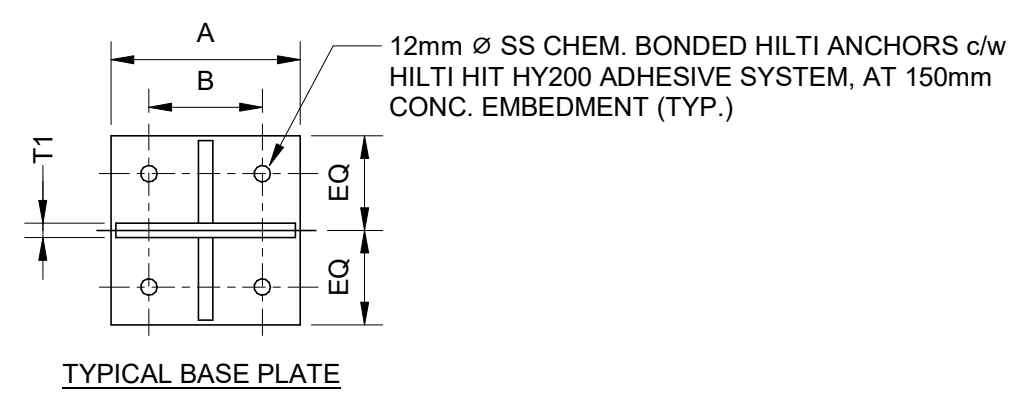
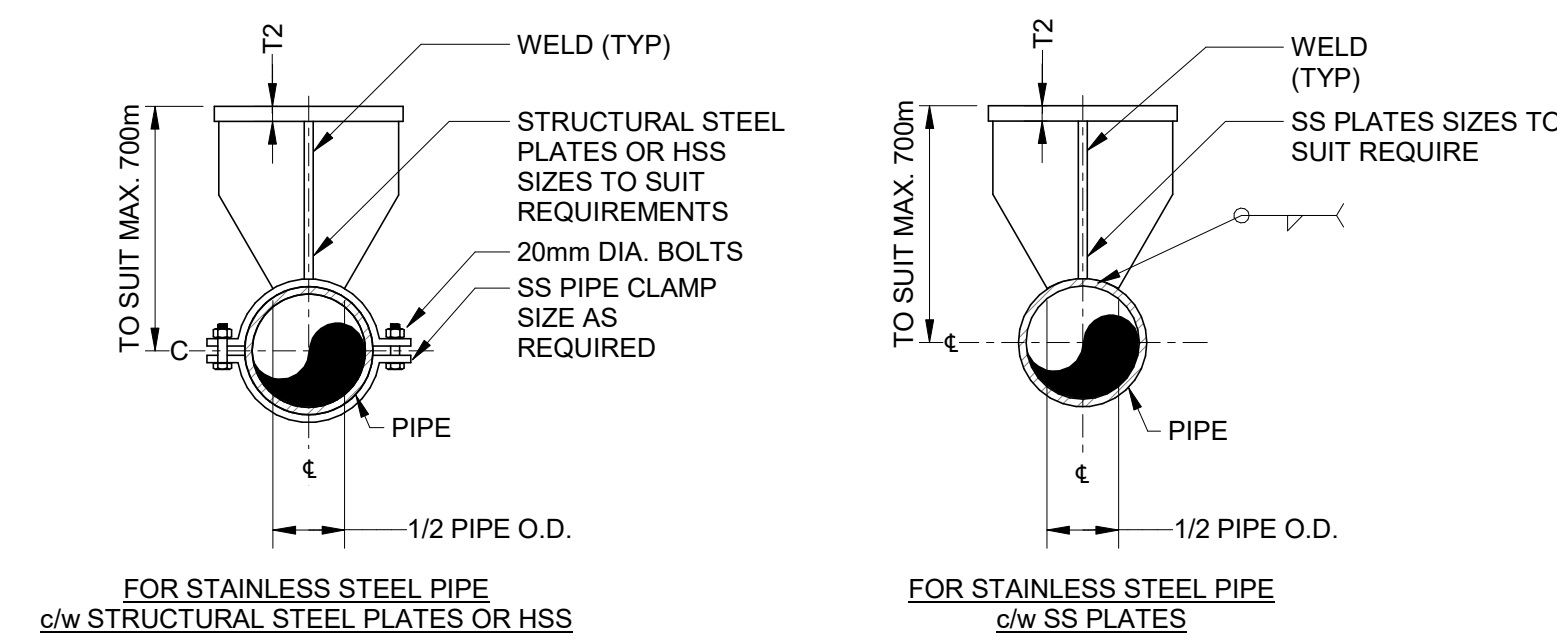
5 ADJUSTABLE PIPE SADDLE SUPPORT

SCALE: NTS

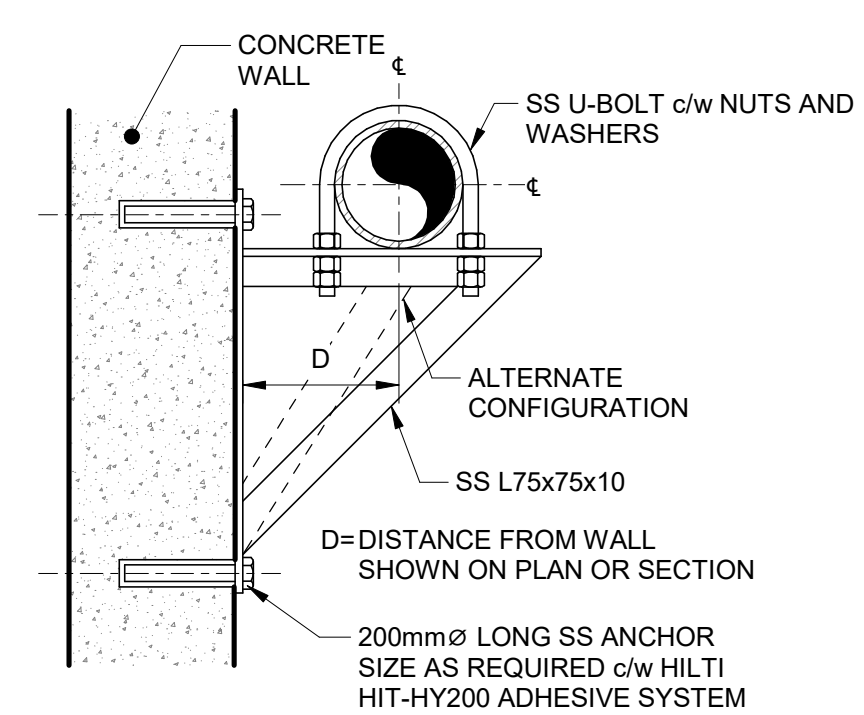
DIMENSION TABLE		
PIPE SIZE	A	B
150	75	229
200	75	229
250	75	229
300	75	229
350	100	279
400	100	279
450	100	279
500	150	343
550	150	343
600	150	343
650	150	343
750	150	343
800	150	343
900	200	406

GENERAL PIPE SUPPORT NOTES:

- WHEN SPECIFIED FOR USE IN SUBMERGED ENVIRONMENTS OR CHEMICAL LINE, ALL PIPE SUPPORT COMPONENTS SHALL BE FABRICATED FROM 316L STAINLESS STEEL AS PRESENT ON EACH DETAIL. ANCHOR BOLTS SHALL BE 316L STAINLESS STEEL AS WELL.
- USE SS U-BOLTS AND NUTS AS PER THE SUPPLIER'S RECOMMENDATIONS UNLESS OTHERWISE SPECIFIED.
- THE TYPICAL PIPE/ VALVE SUPPORTS MAY NOT PRESENT ALL REQUIRED SUPPORTS IN ACCORDANCE WITH ALL TYPICAL PIPE SUPPORTS. THE CONTRACTOR SHALL SUBMIT THE FINAL PIPE SUPPORT DETAILS FOR THE ENGINEER'S REVIEW. MODIFICATION MAY BE PERMITTED AT NO EXTRA COST TO THE OWNER.
- PROVIDE SEPARATION BETWEEN DISSIMILAR METALS.
- PROVIDE AT LEAST ONE (1) FIXED POINT SUPPORT BETWEEN EXPANSION JOINTS. A FIXED POINT SUPPORT SHALL BE INSTALLED AT EVERY BEND AND TEE.
- MECHANICAL TIGHT FOR FIXED SUPPORTS (F.S.) AND FINGER TIGHT FOR SLIDING SUPPORTS (S.S.).
- PIPE HANGER OR GUIDE SHALL NOT BE USED FOR A FIXED POINT SUPPORT.
- HSS OR T-PIPE SUPPORTS SHALL BE HOT-DIP GALVANIZED AND U-BOLTS/NUTS SHALL BE SS304L, WHICH SHALL BE APPLIED TO ALL T-PIPE SUPPORTS UNLESS OTHERWISE NOTED.

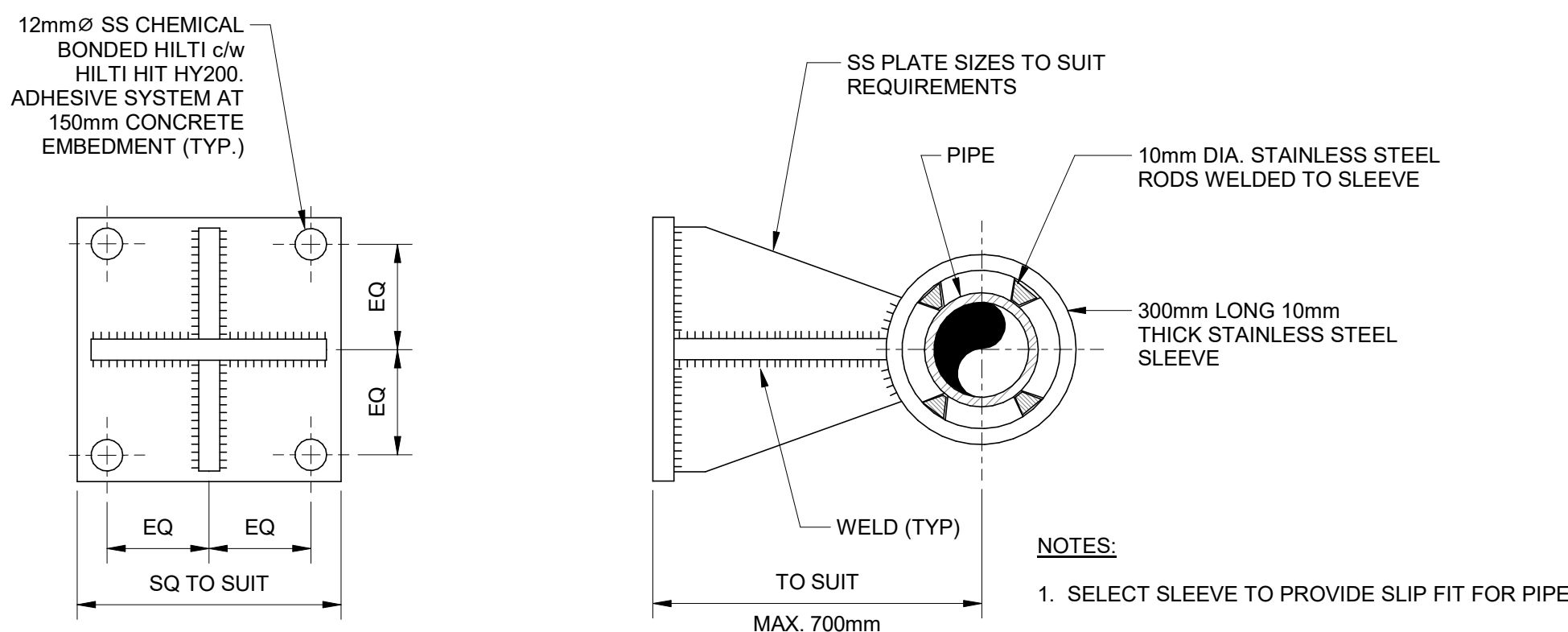


PIPE ANCHOR DIMENSIONS				
NOM. PIPE SIZE	A	B	PLATE THICKNESS	
			T1	T2
100	200	100	6.0	12.0
150	250	150		
200	300	200	7.5	12.0
250	350	200		
300	350	250	9.5	12.0



6 HORIZONTAL SUPPORT BRACKET

SCALE: NTS



7 TYPICAL PIPE GUIDE

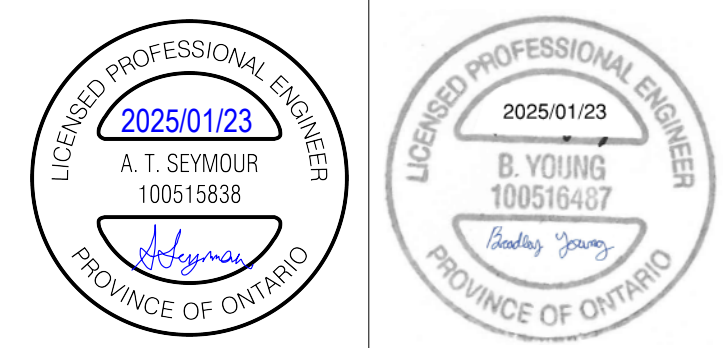
SCALE: NTS

8 FIXED POINT ANCHOR DETAILS

SCALE: NTS

DATE	NO.	REVISION
2025/01/23	2	ISSUED FOR TENDER
2024/08/23	1	ISSUED FOR ECA APPROVAL

THE DRAWINGS, ARRANGEMENTS, ANNOTATIONS AND GRAPHICAL PRESENTATIONS ON THIS DOCUMENT ARE THE PROPERTY OF EVB ENGINEERING WHO RETAINS OWNERSHIP AND AUTHORITY OF THIS DOCUMENT. IN ITS ENTIRETY THIS DOCUMENT IS AN INSTRUMENT OF SERVICE AND IS THE INTELLECTUAL AND PHYSICAL PROPERTY OF EVB ENGINEERING. AUTHORIZED USE OF THIS DRAWING IS GRANTED SOLELY FOR THE PURPOSE OF THIS SPECIFIC PROJECT AND LOCATION, AND NOT FOR CONSTRUCTION OR USE FOR ANY OTHER PROJECT. COPYRIGHT © 2024 EVB ENGINEERING.



CONSULTANT:

 800 SECOND STREET WEST
 CORNWALL, ONTARIO CANADA, K6J 1H6
 TEL: 613-935-3775 | FAX: 613-935-6450
 WEBSITE: EVBengineering.com

SUB-CONSULTANT:

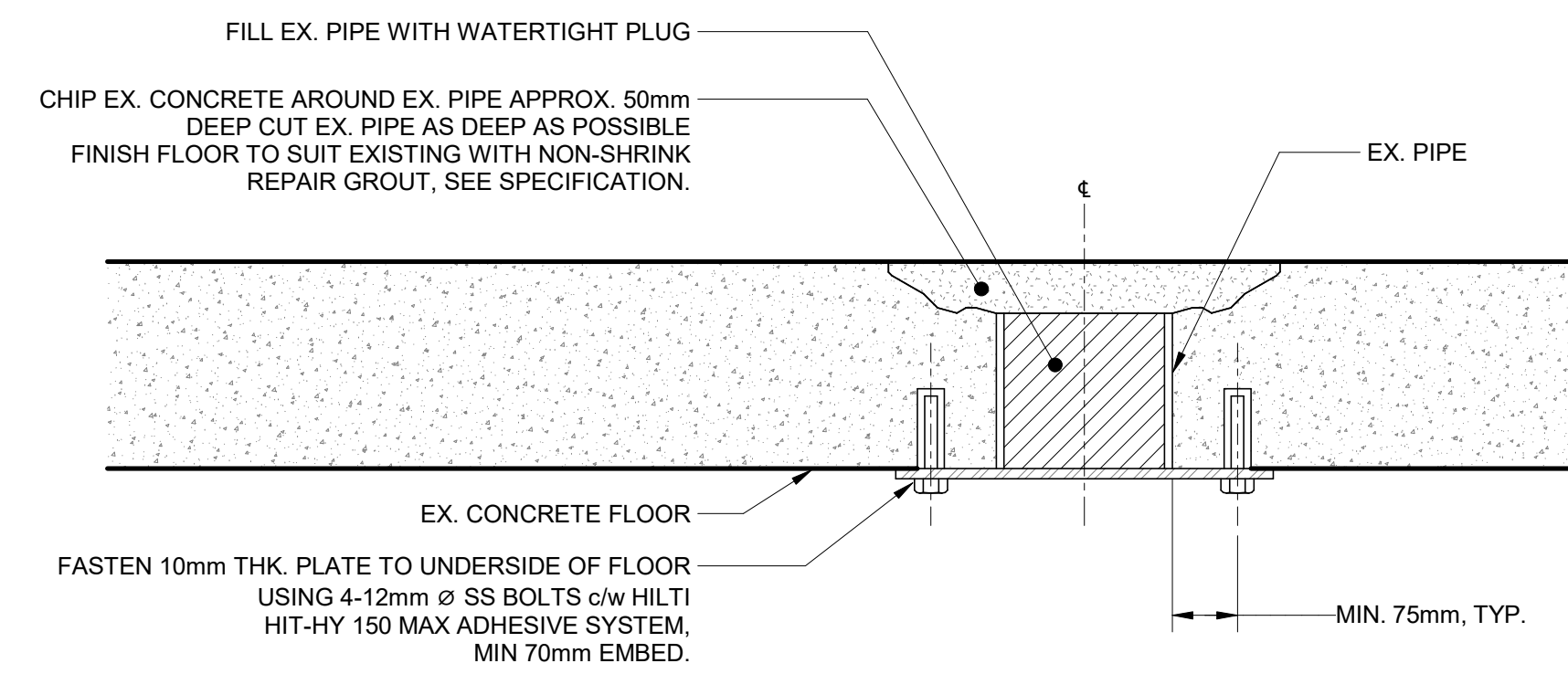
CLIENT:

PROJECT:
NEW NAPANEE WPCP

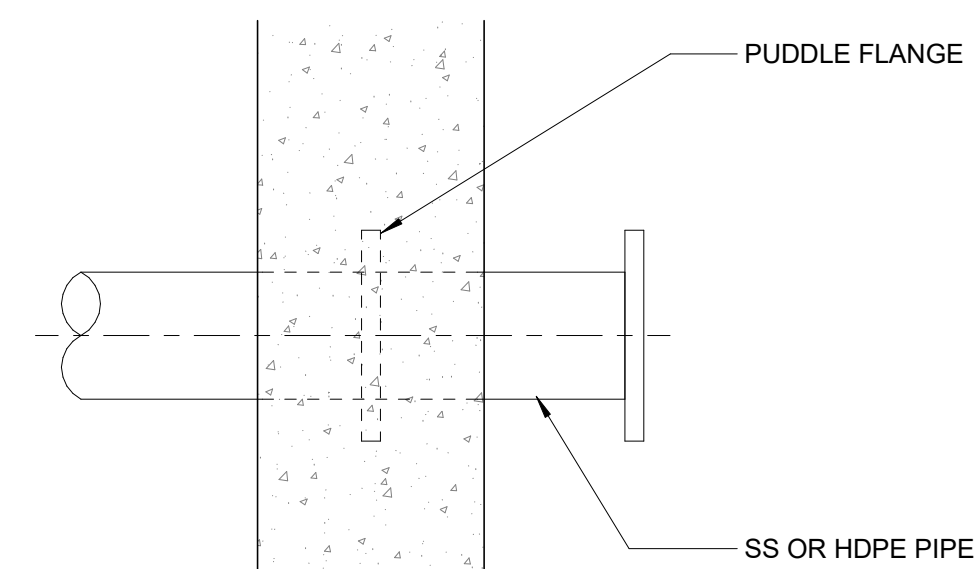
TITLE:
PROCESS DETAILS (1)

SCALE: NTS
 DESIGNED BY: K.K. & A.S.
 DRAWN BY: D.C.
 CHECKED BY: B.Y.

JOB NO: 22001
 DATE: 2025/01/23
 DRAWING NO:
P0401



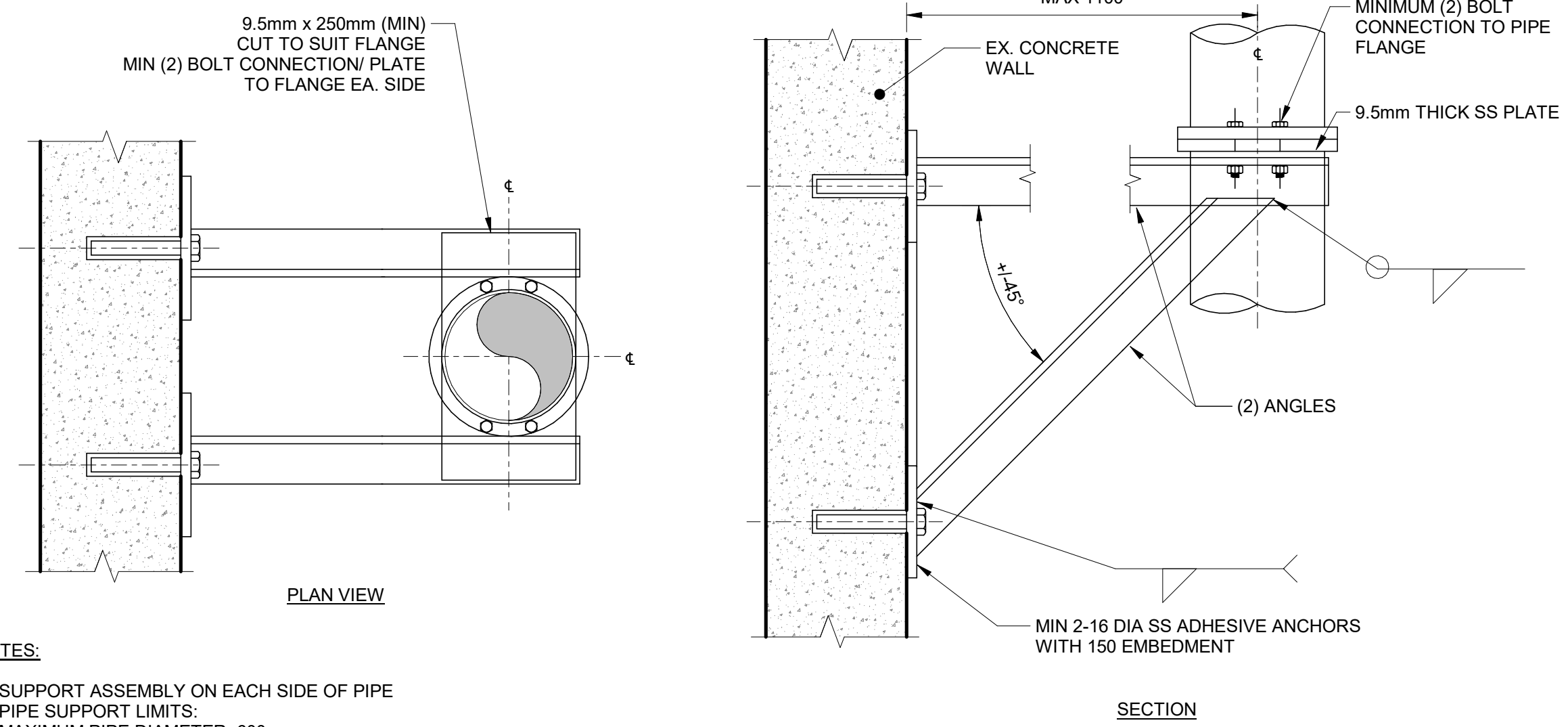
1 CAPPING DETAIL FOR EX. PIPE THROUGH FLOOR OR WALL
SCALE: NTS



NOTES:

1. REFER TO STRUCTURAL DRAWINGS FOR WALL THICKNESS OF NEW CONCRETE WALL
2. PUDDLE FLANGE TO BE APPLIED TO ALL PENETRATIONS THROUGH NEW CONCRETE WALL AS PER SPECIFICATION
3. PUDDLE FLANGE DIAMETER SHALL BE A MINIMUM OF 300mm LARGER THAN PIPE DIAMETER.
4. LINK SEALS OR OTHER PENETRATIONS THROUGH THE NEW WALLS SHALL NOT BE PERMITTED.

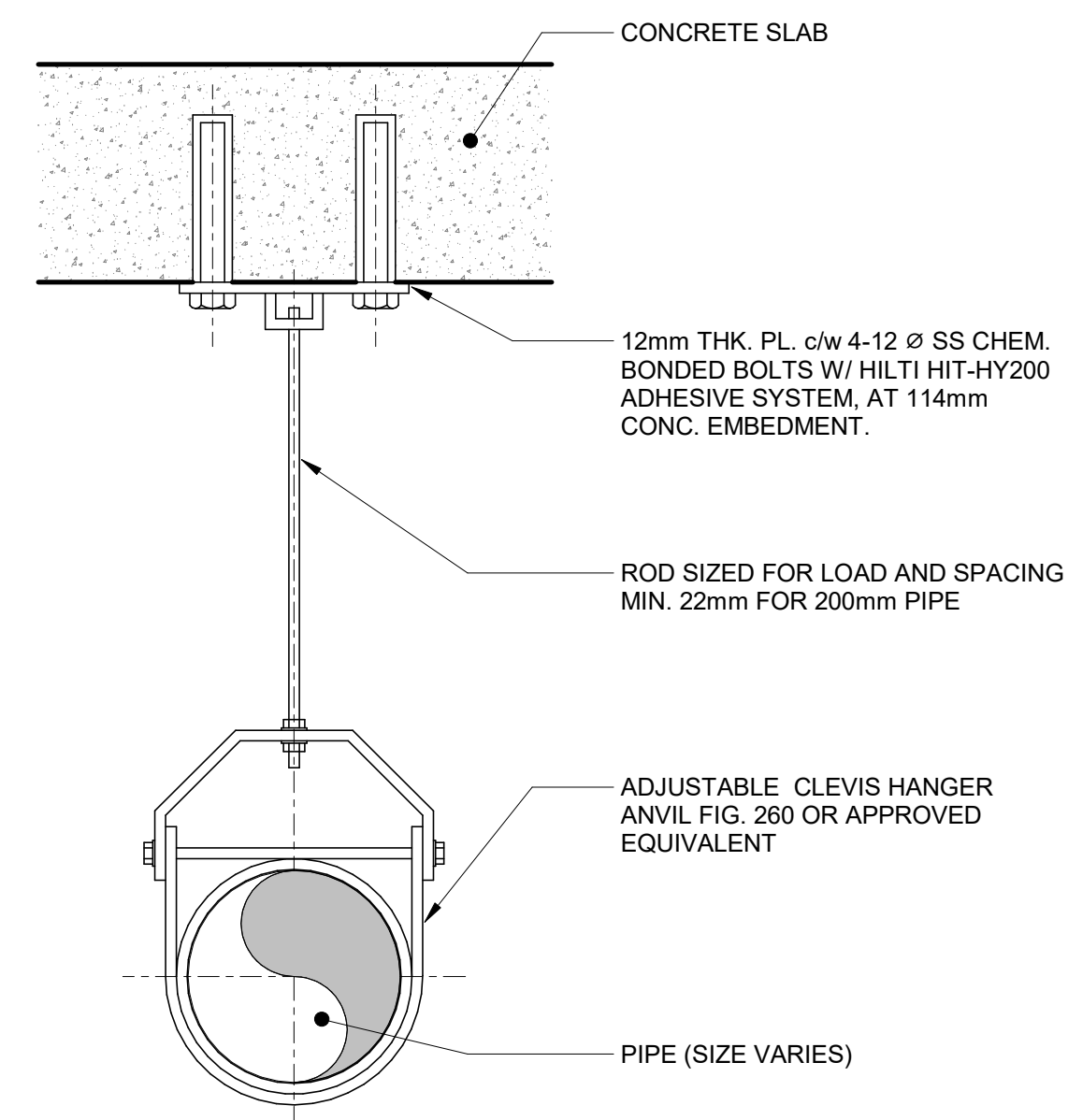
3 TYPICAL PIPING THROUGH NEW CONCRETE WALL AND SLAB
SCALE: NTS



NOTES:

1. SUPPORT ASSEMBLY ON EACH SIDE OF PIPE
2. PIPE SUPPORT LIMITS:
MAXIMUM PIPE DIAMETER: 600mm
MAXIMUM PIPE TEST PRESSURE: 300KPa PRESSURE
3. PIPE SUPPORT NOT TO BE USED FOR CONCRETE PIPE
4. ALL PIPE SUPPORT MATERIALS TO BE STAINLESS STEEL 316L
5. SUPPORT AND ANCHORAGE TO CONCRETE TO BE DESIGNED BY VENDOR. SUBMIT SHOP DRAWING STAMPED BY A PROFESSIONAL ENGINEER LICENSED IN ONTARIO FOR REVIEW.

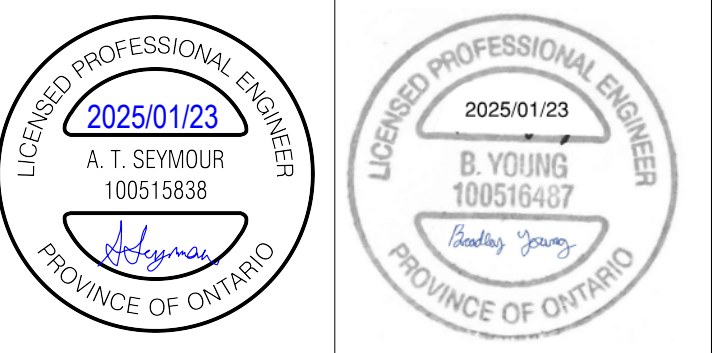
2 SUSPENDED THRUST/ SUPPORT ASSEMBLY FOR VERTICAL PIPE
SCALE: NTS




4 CLEVIS PIPE HANGER
SCALE: NTS


DATE	NO.	REVISION
2025/01/23	2	ISSUED FOR TENDER
2024/08/23	1	ISSUED FOR ECA APPROVAL

THE DRAWINGS, ARRANGEMENTS, ANNOTATIONS AND GRAPHICAL PRESENTATIONS ON THIS DOCUMENT ARE THE PROPERTY OF EVB ENGINEERING WHO RETAINS OWNERSHIP AND AUTHORSHIP OF THIS DOCUMENT. IN ITS ENTIRETY THIS DOCUMENT IS AN INSTRUMENT OF SERVICE AND IS THE INTELLECTUAL AND PHYSICAL PROPERTY OF EVB ENGINEERING. AUTHORIZED USE OF THIS DRAWING IS GRANTED SOLELY FOR THE PURPOSE OF THIS SPECIFIC PROJECT AND LOCATION, AND NOT FOR CONSTRUCTION OR USE FOR ANY OTHER PROJECT. COPYRIGHT © 2024 EVB ENGINEERING.



CONSULTANT:

**800 SECOND STREET WEST
 CORNWALL, ONTARIO CANADA, K6J 1H6
 TEL: 613-935-3775 | FAX: 613-935-6450
 WEBSITE: EVBengineering.com**

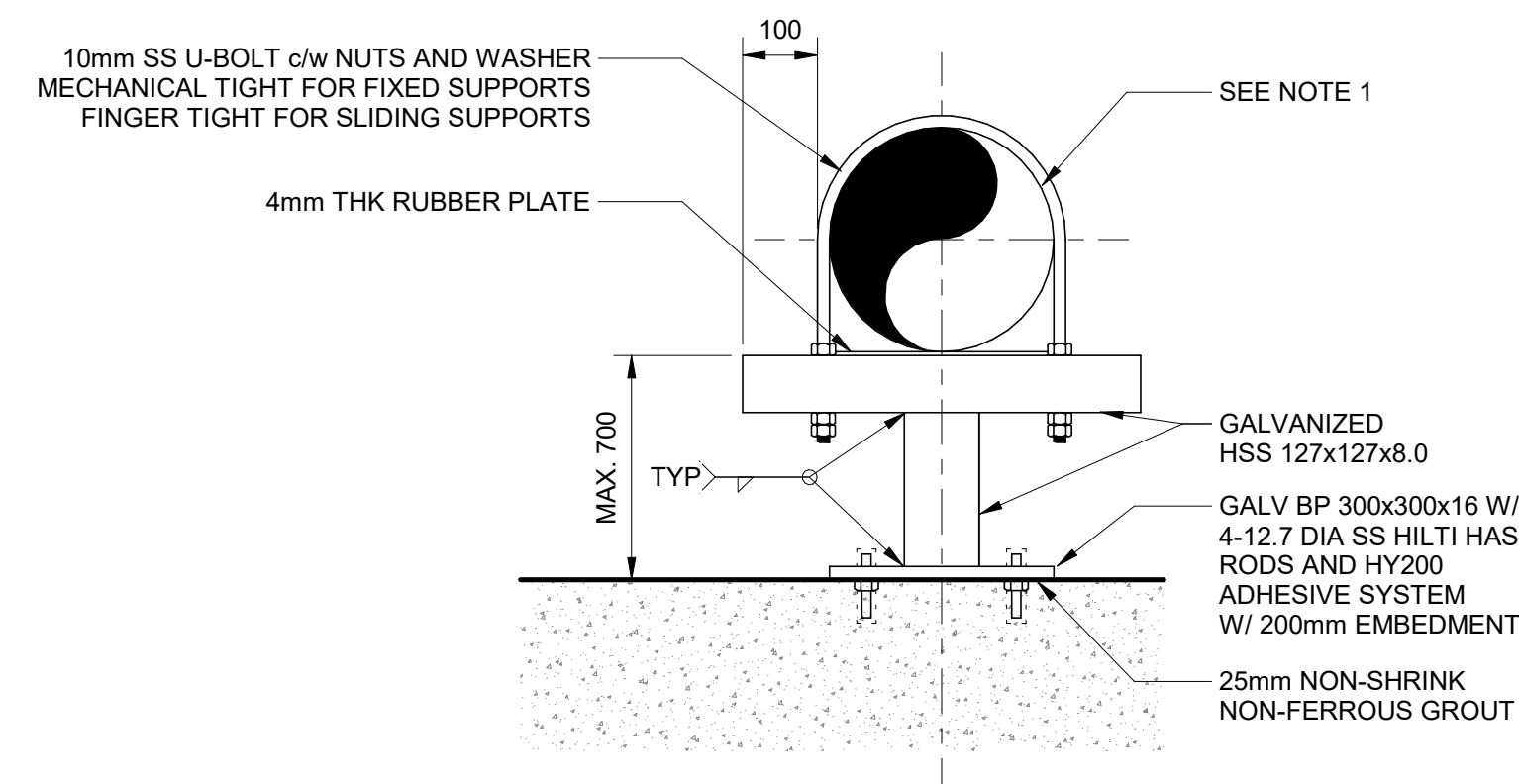
SUB-CONSULTANT:


CLIENT:

 Greater Napanee
 CREATE FOR WHAT REASONS

PROJECT:
 NEW NAPANEE WPCP

TITLE:
 PROCESS DETAILS (2)

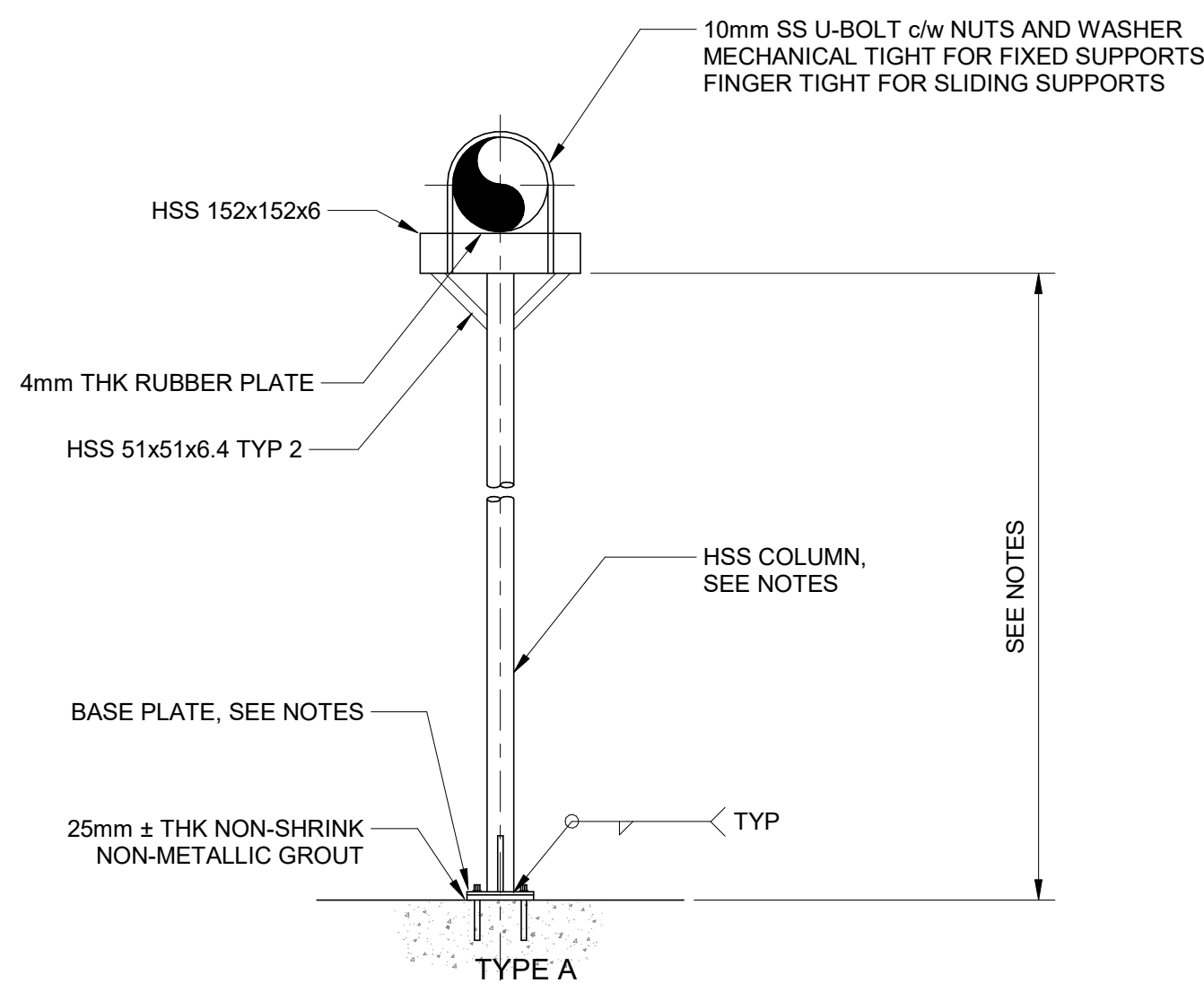
SCALE: As indicated	JOB NO: 22001
DESIGNED BY: K.K. & A.S.	DATE: 2025/01/23
DRAWN BY: D.C.	DRAWING NO. P0402
CHECKED BY: B.Y.	



NOTES:

- PIPE SIZES TO BE APPLIED TO
 - * SLIDING SUPPORTS: 900mm DIA. AND SMALLER FOR STAINLESS STEEL PIPES
 - * FIXED SUPPORTS: 400mm DIA. AND SMALLER FOR STAINLESS STEEL PIPES
 - * SLIDING AND FIXED SUPPORTS: 900mm AND SMALLER FOR FRP
- SS U-BOLT SIZES SHALL BE AS PER THE SUPPLIER'S CALCULATION AND RECOMMENDATIONS.

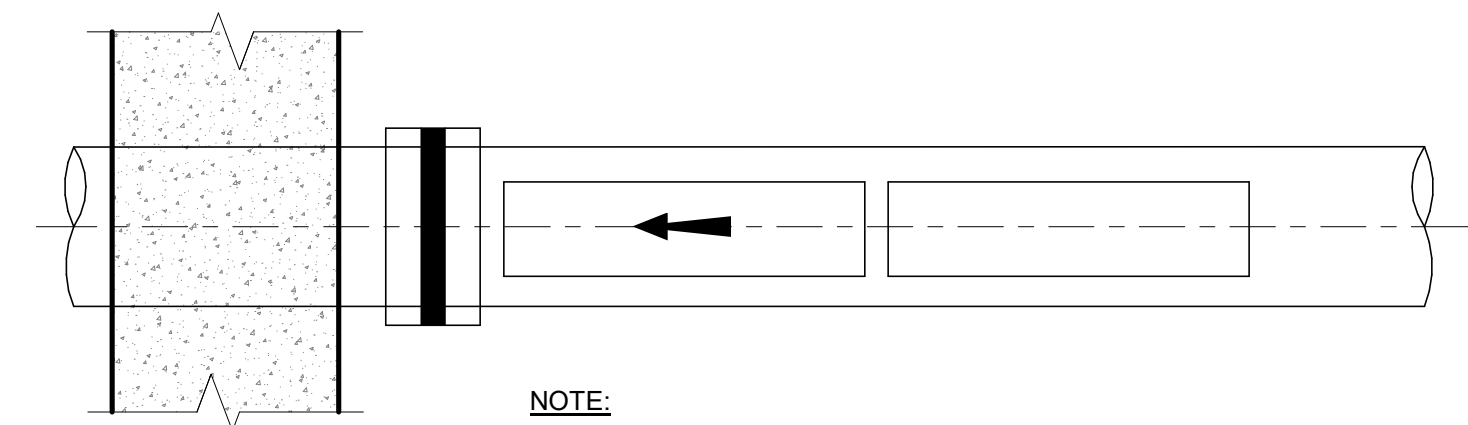
1 TYPICAL PIPE SUPPORT DETAIL
SCALE: NTS



TYPE A NOTES:

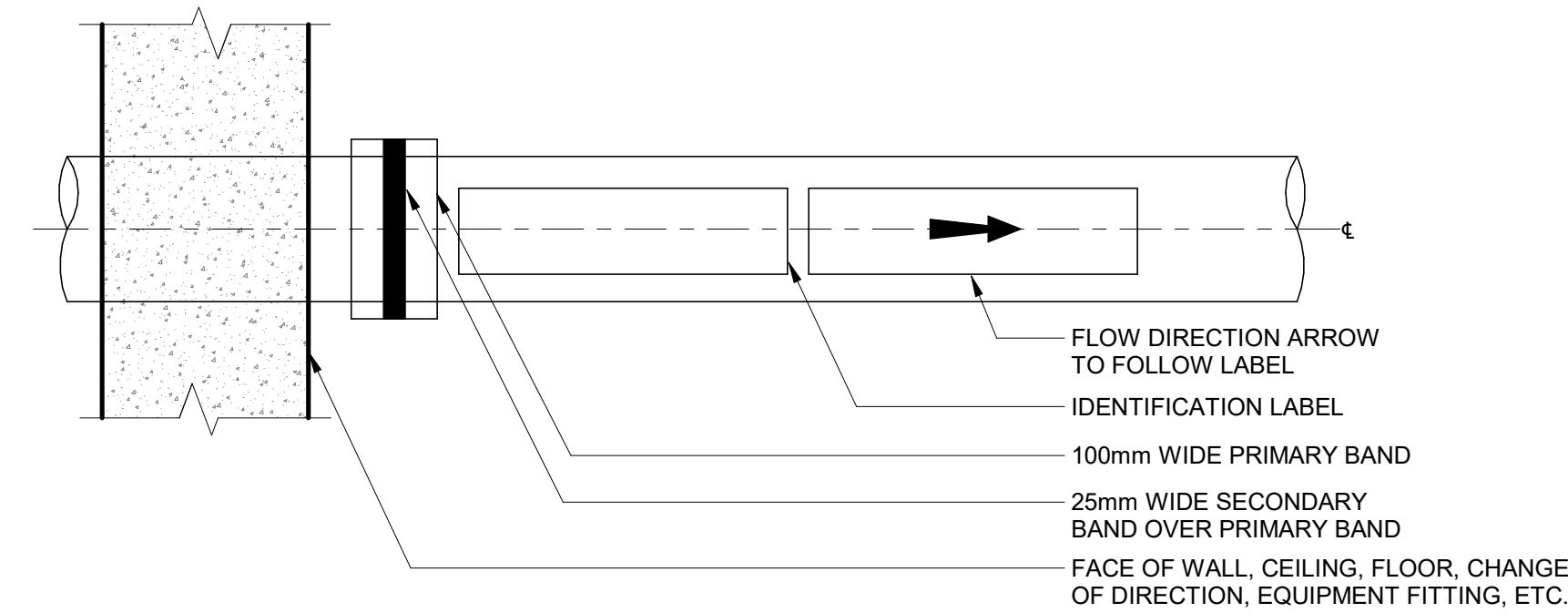
- PIPE SUPPORT LIMITS:
 - FIXED SUPPORT, FOR MAX 400 SS PIPE DIA AND MAX 2500 HIGH:
COLUMN: HSS203X203X13
BASE PLATE: BP 450X450X16 THK, W/ 4-19 DIA SS HILTI HAS RODS AND HY200 ADHESIVE SYSTEM, W/ 260 EMBED
 - FIXED SUPPORT, FOR MAX 600 SS PIPE DIA AND 2500 TO 5000 HIGH:
COLUMN: HSS254X254X16
BASE PLATE: BP 500X500X20 THK, W/4-19 DIA SS HILTI HAS RODS AND HY200 ADHESIVE SYSTEM, W/300 EMBED
 - SLIDING SUPPORT, FOR MAX 600 SS PIPE DIA AND MAX 4000 HIGH:
COLUMN: HSS152X152X13
BASE PLATE: BP 300X300X16 THK, W/ 4-12.7 DIA SS HILTI HAS RODS AND HY200 ADHESIVE SYSTEM, W/ 200 EMBED
 - SUPPORT, FOR MAX 1000 FRP PIPE DIA AND 2500 TO 5000 HIGH:
COLUMN: HSS254X254X16
BASE PLATE: BP 500X500X20 THK, W/4-19 DIA SS HILTI HAS RODS AND HY200 ADHESIVE SYSTEM, W/300 EMBED
- ALL STEEL TO BE HOT-DIPPED GALVANIZED.
- SUPPORTS OUTSIDE OF THE LIMITS DESCRIBED ABOVE ARE TO BE DESIGNED BY VENDOR.
- SUPPORT MAY BE USED TO SUPPORT VALVES, WITHIN LIMITS DESCRIBED ABOVE.

3 TYPICAL SINGLE T-PIPE SUPPORT FOR AIR HEADER AND SLUDGE PIPE
SCALE: NTS



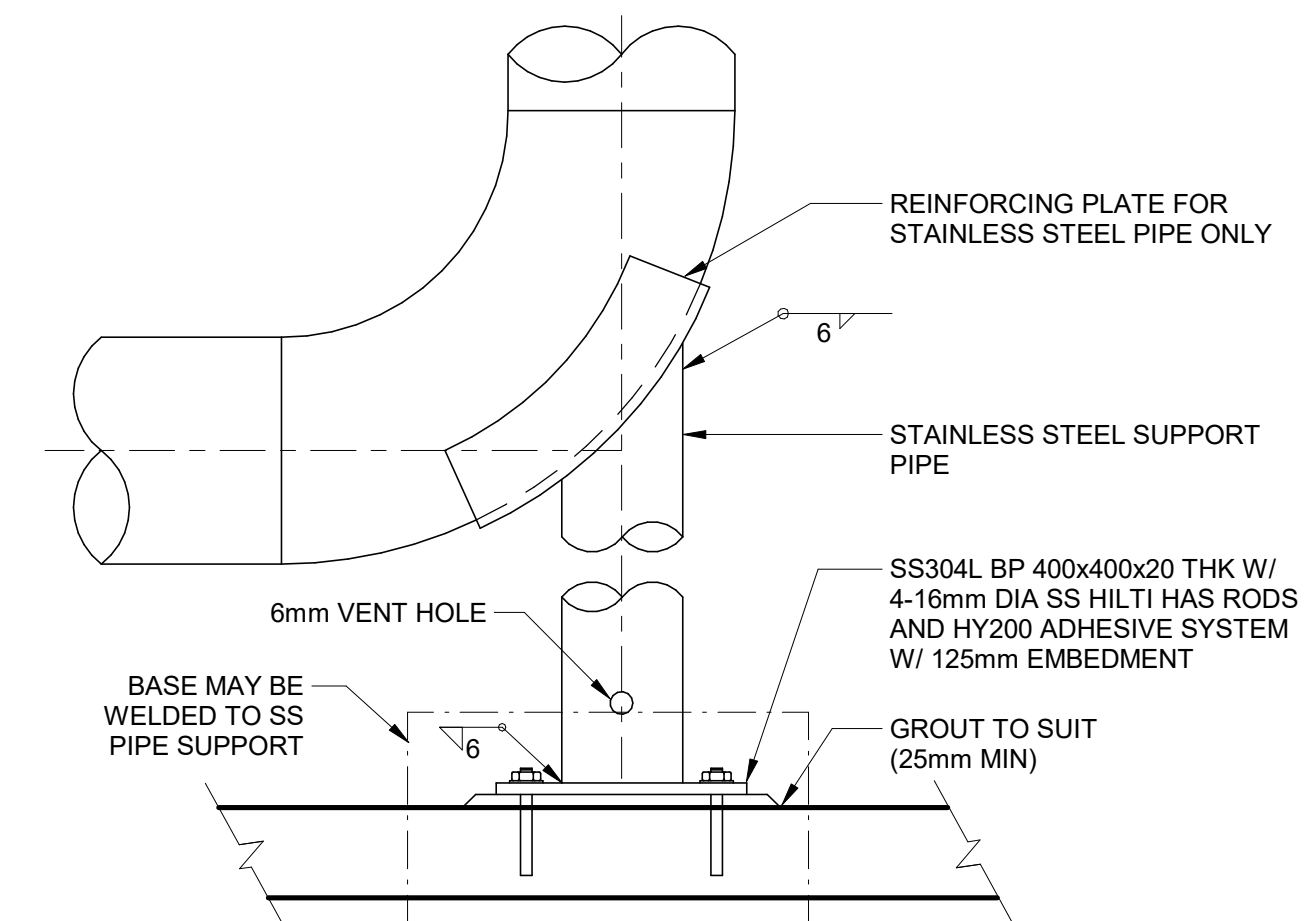
NOTE:

MAXIMUM SPACING OF BANDING AND IDENTIFICATION TO BE 5.0m O.C. (16.5') EXCEPT 3.0m O.C. FROM GAS PIPING



NOTE: REFER TO SPECIFICATION FOR DETAILS.

2 PIPE/ DUCT IDENTIFICATION
SCALE: NTS



PIPE SIZE (mm)	SUPPORT PIPE (mm)	PLATE SIZE (mm)	MAXIMUM SUPPORT PIPE LENGTH (mm)
100	50 SCH 40	200 x 200 x6	1525
150	50 SCH 40	200 x 200 x6	1525
200	100 SCH 40	250 x 250 x6	1825
250	100 SCH 40	250 x 250 x6	1825
300	150 SCH 40	300 x 300 x10	1830
350	200 SCH 40	350 x 350 x10	1830
400	200 SCH 40	350 x 350 x10	1830
500	200 SCH 40	350 x 350 x10	1830
600	250 SCH 40	400 x 400 x10	1830
750	300 SCH 40	450 x 450 x10	1830
900	300 SCH 40	450 x 450 x10	1830

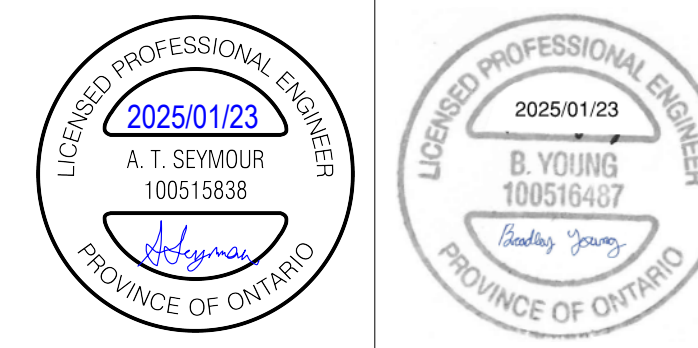
NOTES:

- IT MAY BE APPLIED TO BOTTOM OF ELBOW HORIZONTAL POSITION.
- APPLY THE SUPPORT PIPE TO TEE SUPPORT APPLICATION.
- IT MAY BE SHOWN ON THE PROCESS DRAWINGS, BUT PROVIDE IT AS PER THE ENGINEER'S REVIEW ON SUBMITTAL OF PIPING LAYOUT/CONFIGURATIONS.

4 TYPICAL BASE ELBOW SUPPORT FOR SS PIPES
SCALE: NTS

DATE	NO.	REVISION
2025/01/23	2	ISSUED FOR TENDER
2024/08/23	1	ISSUED FOR ECA APPROVAL

THE DRAWINGS, ARRANGEMENTS, ANNOTATIONS AND GRAPHICAL PRESENTATIONS ON THIS DOCUMENT ARE THE PROPERTY OF EVB ENGINEERING WHO RETAINS OWNERSHIP AND AUTHORSHIP OF THIS DOCUMENT IN ITS ENTIRETY. THIS DOCUMENT IS AN INSTRUMENT OF SERVICE AND IS THE INTELLECTUAL AND PHYSICAL PROPERTY OF EVB ENGINEERING. AUTHORIZED USE OF THIS DRAWING IS GRANTED SOLELY FOR THE PURPOSE OF THIS SPECIFIC PROJECT AND LOCATION, AND NOT FOR CONSTRUCTION OR USE FOR ANY OTHER PROJECT. COPYRIGHT © 2024 EVB ENGINEERING.



CONSULTANT:
EVB ENGINEERING
 800 SECOND STREET WEST
 CORNWALL, ONTARIO CANADA, K6J 1H6
 TEL: 613-935-3775 | FAX: 613-935-6450
 WEBSITE: EVBengineering.com

SUB-CONSULTANT:

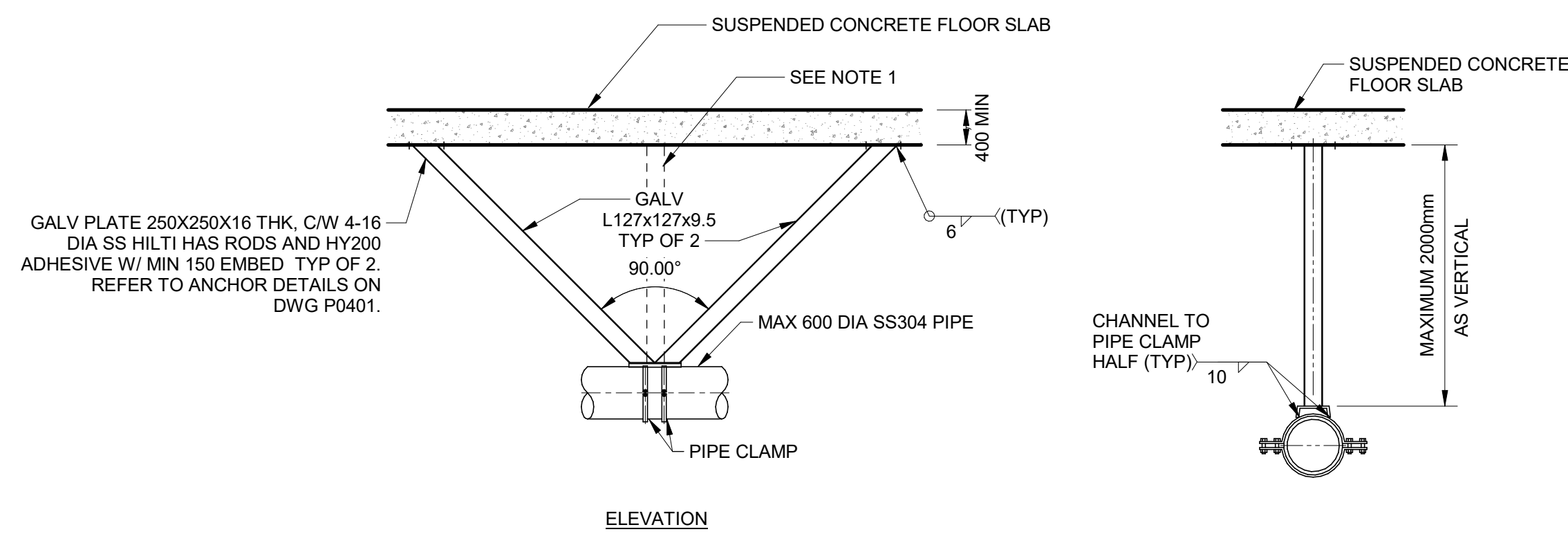


CLIENT:
Greater Napanee
 CREATING FOR WHAT MATTERS

PROJECT:
NEW NAPANEE WPCP

TITLE:
PROCESS DETAILS (3)

SCALE:	JOB NO:
NTS	22001
DESIGNED BY: K.K. & A.S.	DATE: 2025/01/23
DRAWN BY: D.C.	DRAWING NO.
CHECKED BY: B.Y.	P0403

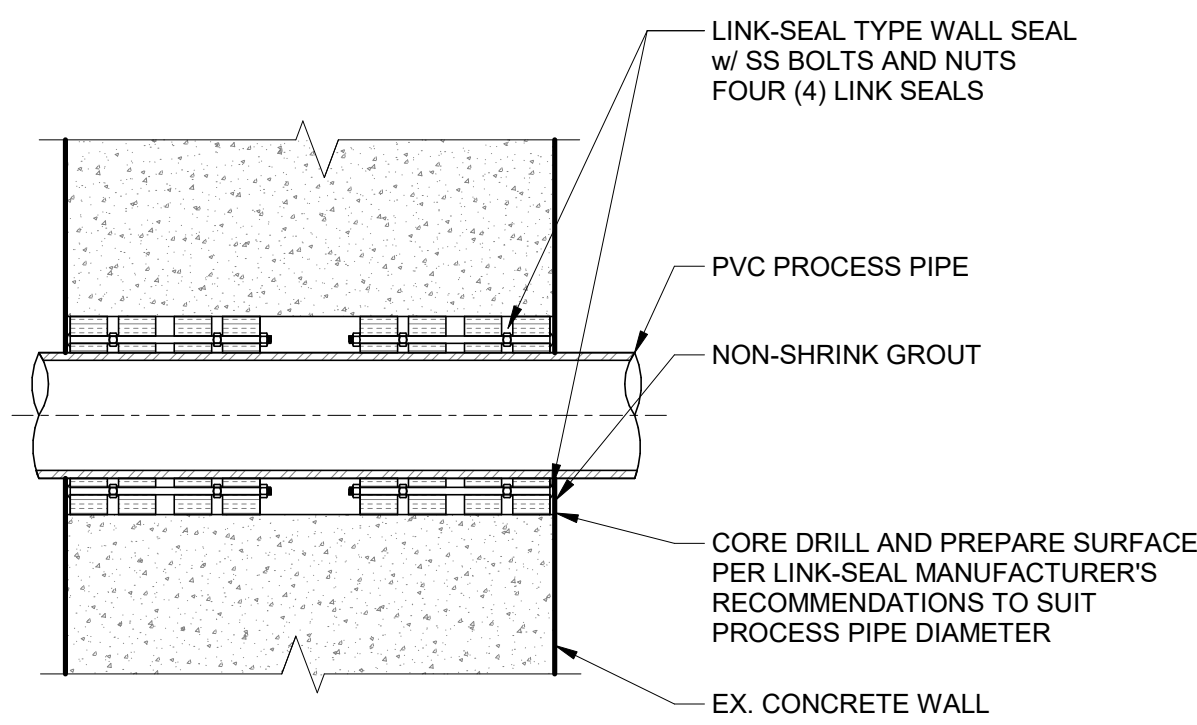


NOTES:

1. FOR PIPE DIAMETER 150 OR LESS, ONE SINGLE HSS89x89x8.0 MAY USED IN PLACE OF TWO ANGLES. .
2. SUPPORT MAY BE USED AT FIXED LOCATIONS. SUPPORTS OUTSIDE OF THE LIMITS DESCRIBED ABOVE ARE TO BE DESIGNED BY VENDOR.

1 TYPICAL PIPE ANCHORS

SCALE: NTS

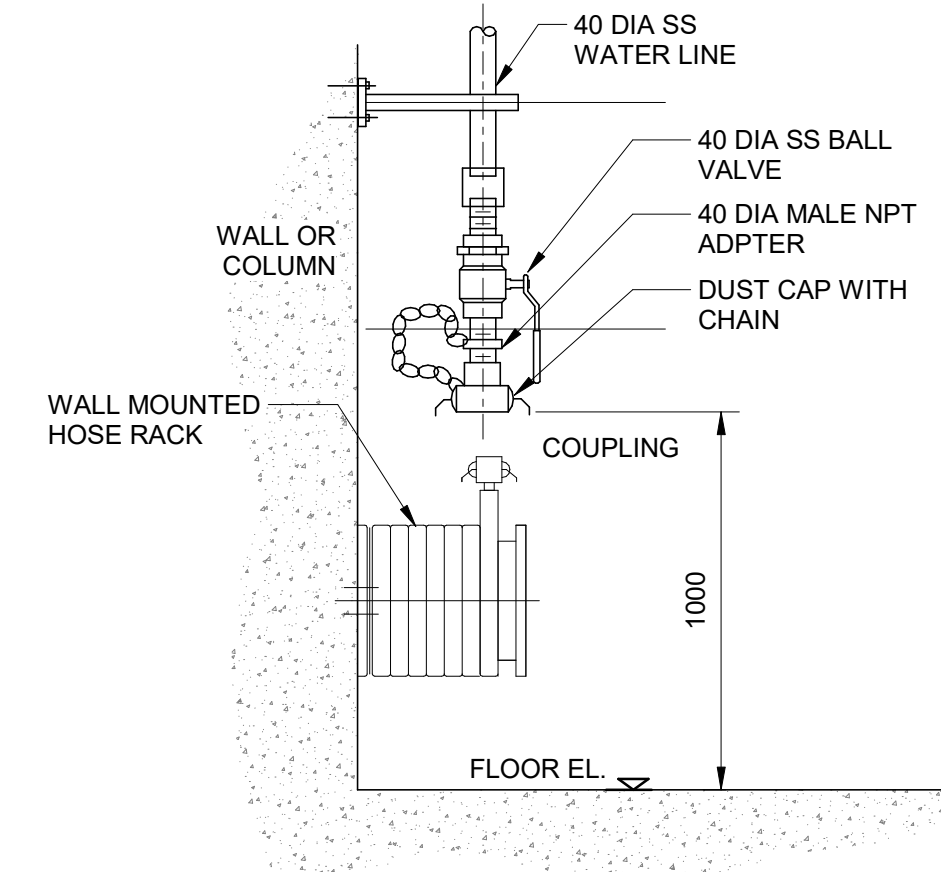


NOTES:

1. TYPICAL WHERE NEW PIPE OPENING IS CORED THROUGH EX.WALL.
2. PROVIDE TWO (2) LINK SEALS ONLY IF THE EXISTING WALL THICKNESS IS 400 mm OR LESS. OTHERWISE, FOUR (4) LINK SEALS TO BE REQUIRED.

3 TWO DOUBLE LINK -SEALS

SCALE: NTS

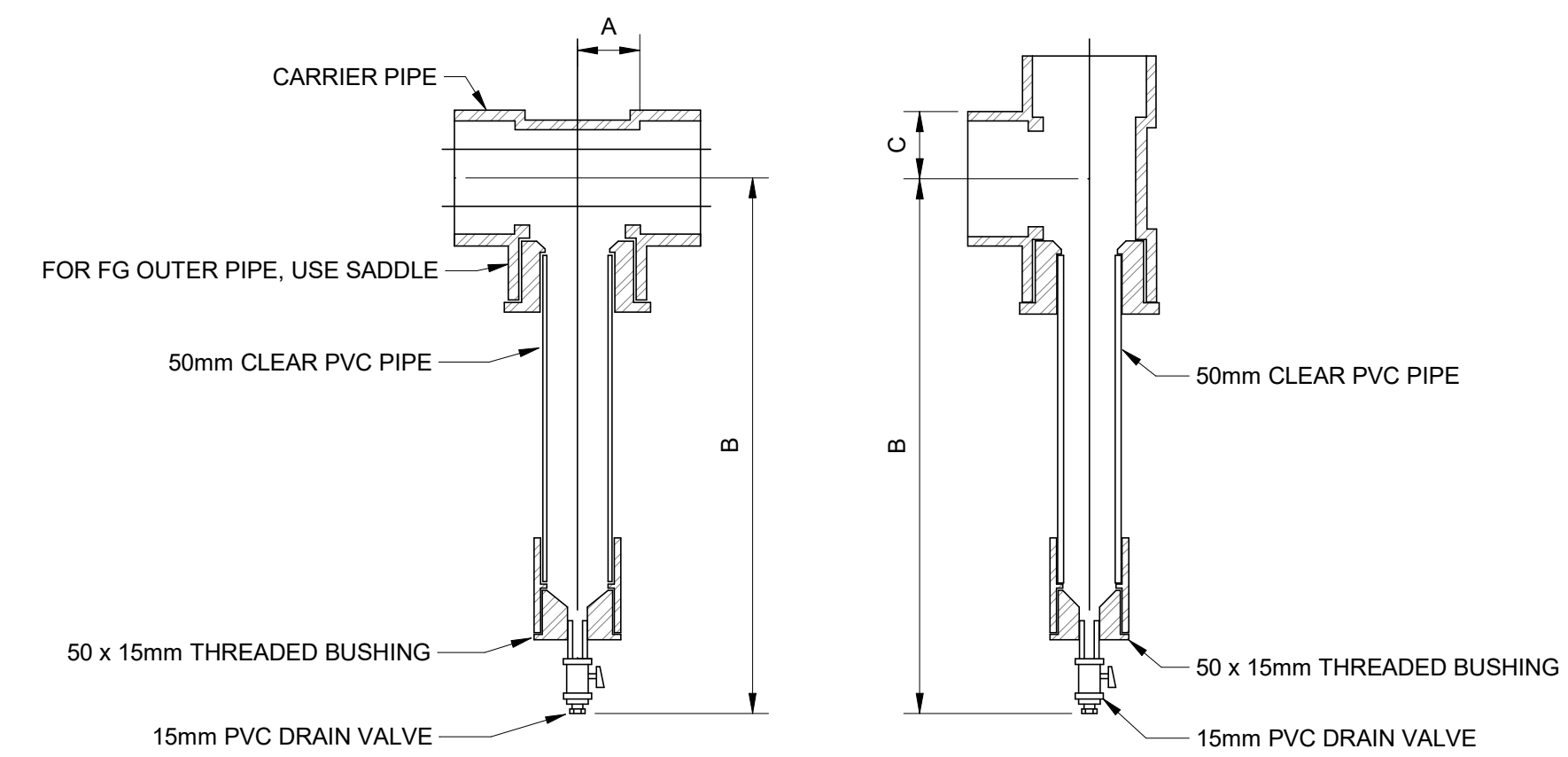


NOTES:

1. PROCESS DRAWINGS MAY NOT PRESENT THE WATER LINE CONNECTIONS, BUT THE CONTRACTOR SHALL PROVIDE THE REQUIRED HOSE CONNECTION STATIONS SHOWN ON THE PROCESS PLAN DRAWINGS FOR THE LOCATION INFORMATION.
2. ALL QUICK COUPLERS AND ADAPTERS TO BE SS OPW CAMLOK OR EQUAL.
3. REFER TO SPECIFICATION FOR DETAILS.

2 HOSE CONNECTION

SCALE: NTS



CARRIER	A	B	C
80mm OR SMALLER	35	400	54
100	60	400	65

NOTE:

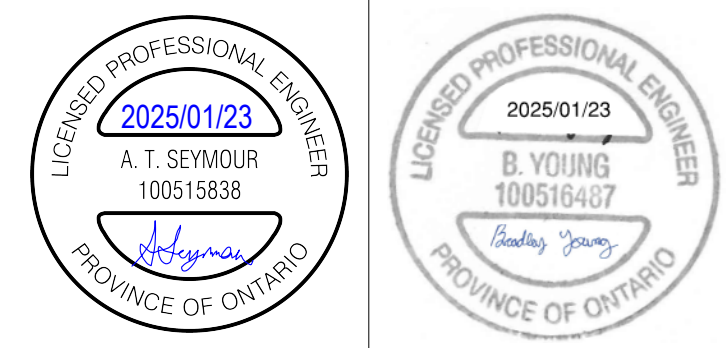
1. INSTALL VALVE IN AN ACCESSIBLE LOCATION

4 CHEMICAL CONTAINMENT LEAK DETECTION STATION

SCALE: NTS

DATE	NO.	REVISION
2025/01/23	2	ISSUED FOR TENDER
2024/08/23	1	ISSUED FOR ECA APPROVAL

THE DRAWINGS, ARRANGEMENTS, ANNOTATIONS AND GRAPHICAL PRESENTATIONS ON THIS DOCUMENT ARE THE PROPERTY OF EVB ENGINEERING WHO RETAINS OWNERSHIP AND AUTHORSHIP OF THIS DOCUMENT IN ITS ENTIRETY. THIS DOCUMENT IS AN INSTRUMENT OF SERVICE AND IS THE INTELLECTUAL AND PHYSICAL PROPERTY OF EVB ENGINEERING. AUTHORIZED USE OF THIS DRAWING IS GRANTED SOLELY FOR THE PURPOSE OF THIS SPECIFIC PROJECT AND LOCATION, AND NOT FOR CONSTRUCTION OR USE FOR ANY OTHER PROJECT. COPYRIGHT © 2024 EVB ENGINEERING.



CONSULTANT:
EVB ENGINEERING
 800 SECOND STREET WEST
 CORNWALL, ONTARIO CANADA, K6J 1H6
 TEL: 613-935-3775 | FAX: 613-935-6450
 WEBSITE: EVBengineering.com

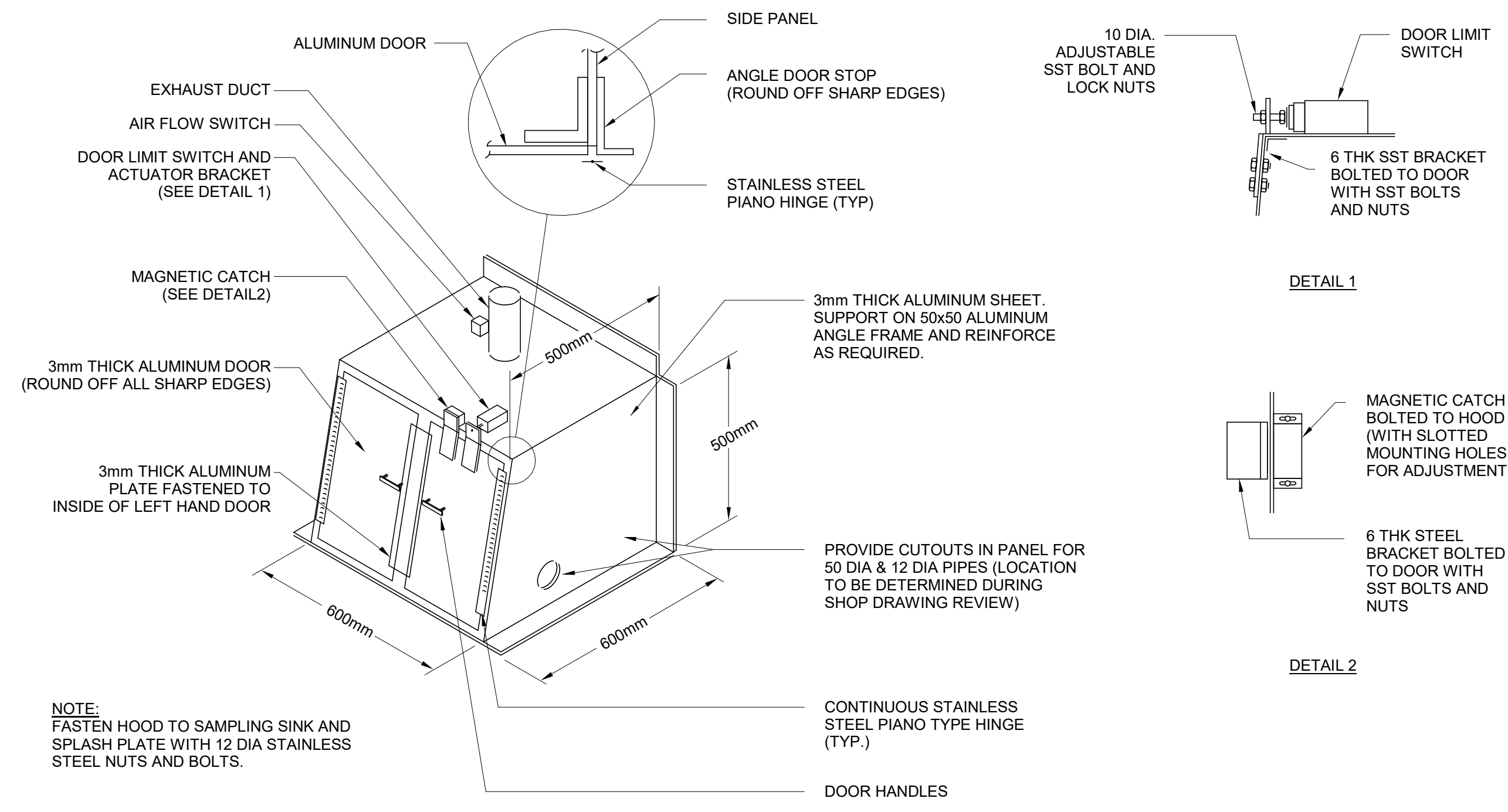
SUB-CONSULTANT:
CIMA+

CLIENT:
Greater Napanee
 GREATER FOR MANY REASONS

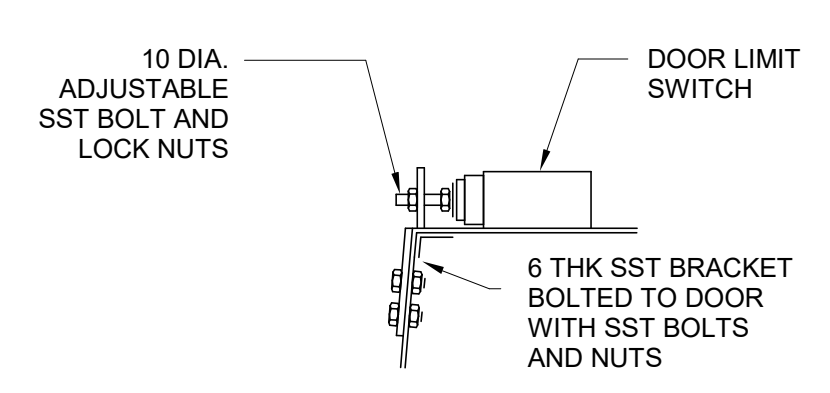
PROJECT:
NEW NAPANEE WPCP

TITLE:
PROCESS DETAILS (4)

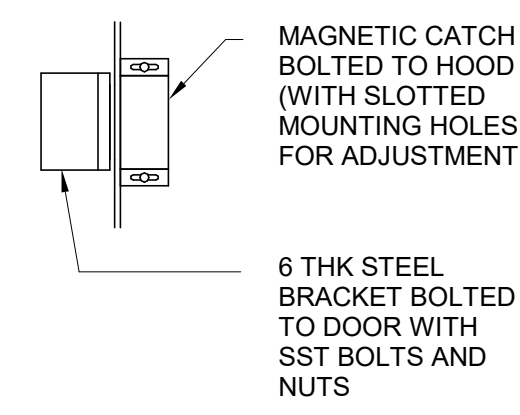
SCALE: As indicated	JOB NO: 22001
DESIGNED BY: K.K. & A.S.	DATE: 2025/01/23
DRAWN BY: D.C.	DRAWING NO.:
CHECKED BY: B.Y.	P0404



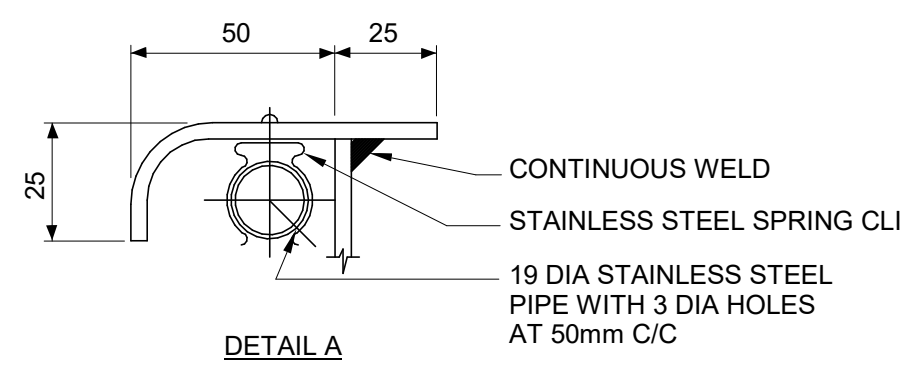
NOTE:
FASTEN HOOD TO SAMPLING SINK AND SPLASH PLATE WITH 12 DIA STAINLESS STEEL NUTS AND BOLTS.



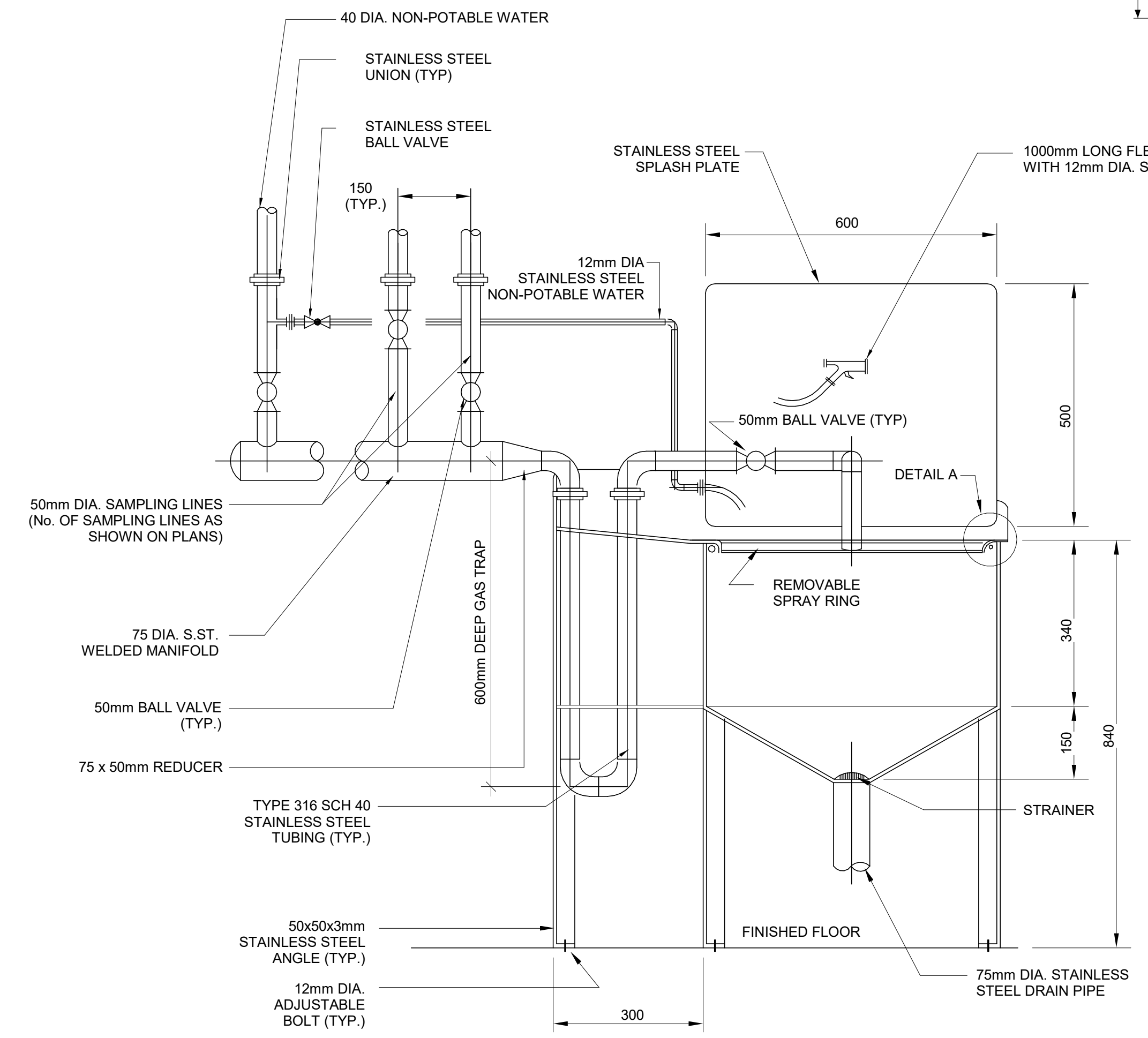
DETAIL 1



DETAIL 2



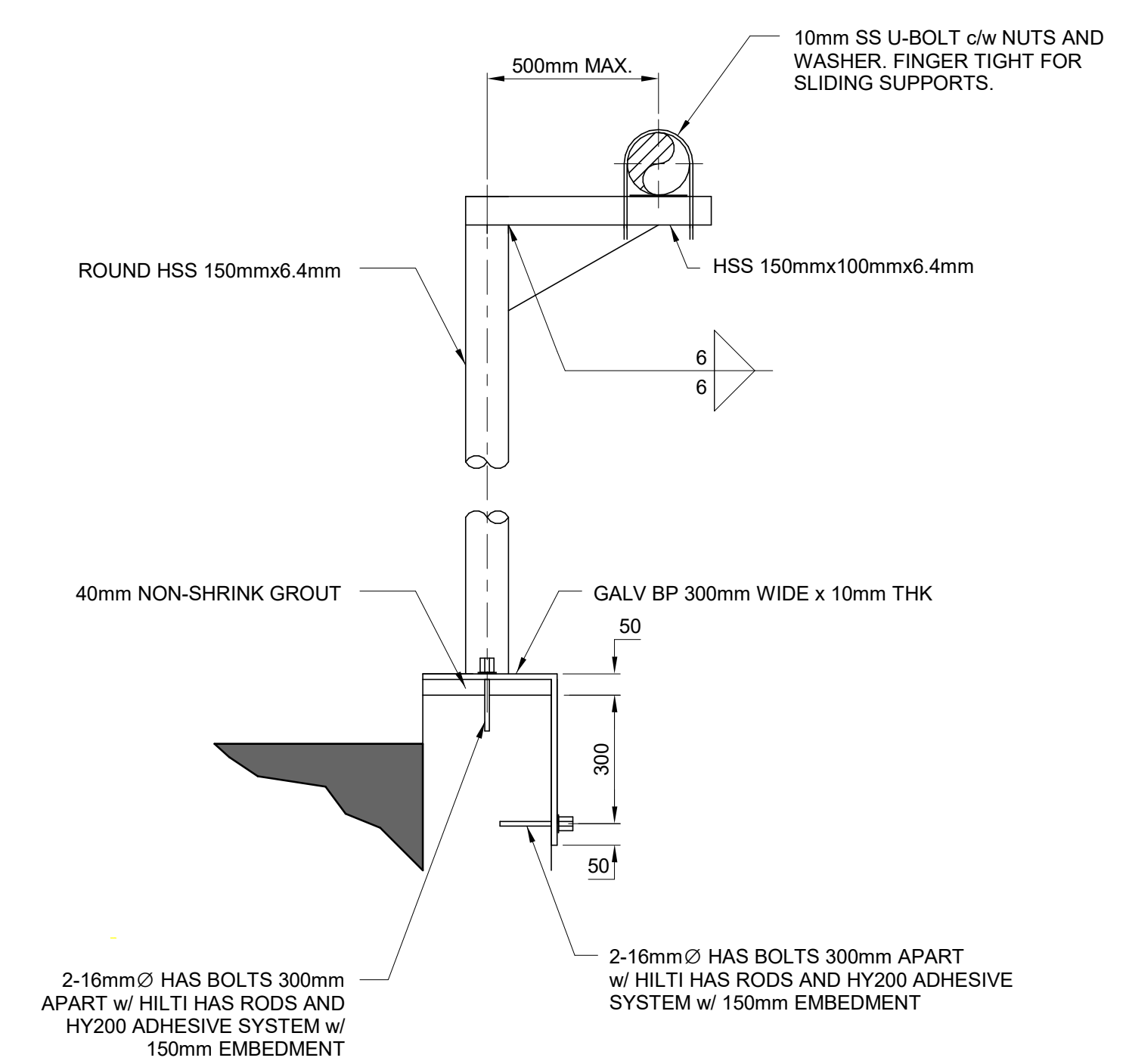
DETAIL A



NOTES:

- FOR TRUE ORIENTATION AND REQUIRED NUMBER OF SAMPLING LINES, REFER TO LAYOUT DRAWINGS. PROVIDE RIGHT OR LEFT HAND ARRANGEMENT AS SHOWN ON PLANS.
- 2mm THICK 304 STAINLESS STEEL SUPPLY 2-STAINLESS STEEL. UNIONS ON SPRAY RING TO ASSIST IN REMOVING FROM SINK.

1 SLUDGE SAMPLING SINK AND HOOD
SCALE: NTS



NOTES:

- TYPICAL SUPPORTS ON TOP OF 300mm THICK EXISTING WALL.
- PROCESS DRAWINGS MAY NOT PRESENT NON-SHRINK GROUT, BUT PROVIDE IT BEFORE SUPPORT INSTALLATION.

2 PIPE SUPPORT CONNECTION
SCALE: NTS

DATE	NO.	REVISION
2025/01/23	2	ISSUED FOR TENDER
2024/08/23	1	ISSUED FOR ECA APPROVAL

THE DRAWINGS, ARRANGEMENTS, ANNOTATIONS AND GRAPHICAL PRESENTATIONS ON THIS DOCUMENT ARE THE PROPERTY OF EVB ENGINEERING WHO RETAINS OWNERSHIP AND AUTHORITY OF THIS DOCUMENT. IN ITS ENTIRETY THIS DOCUMENT IS AN INSTRUMENT OF SERVICE AND IS THE INTELLECTUAL AND PHYSICAL PROPERTY OF EVB ENGINEERING. AUTHORIZED USE OF THIS DRAWING IS GRANTED SOLELY FOR THE PURPOSE OF THIS SPECIFIC PROJECT AND LOCATION, AND NOT FOR CONSTRUCTION OR USE FOR ANY OTHER PROJECT. COPYRIGHT © 2024 EVB ENGINEERING.



CONSULTANT:

 800 SECOND STREET WEST
 CORNWALL, ONTARIO CANADA, K6J 1H6
 TEL: 613-935-3775 | FAX: 613-935-6450
 WEBSITE: EVBengineering.com

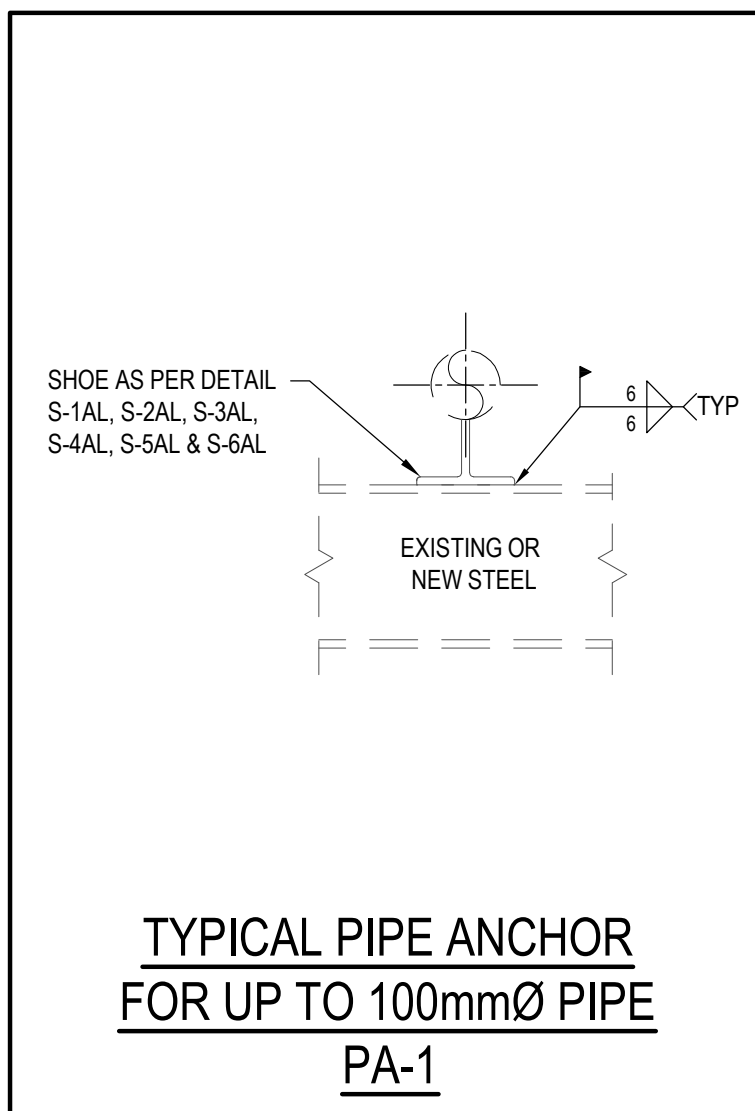
SUB-CONSULTANT:

CLIENT:

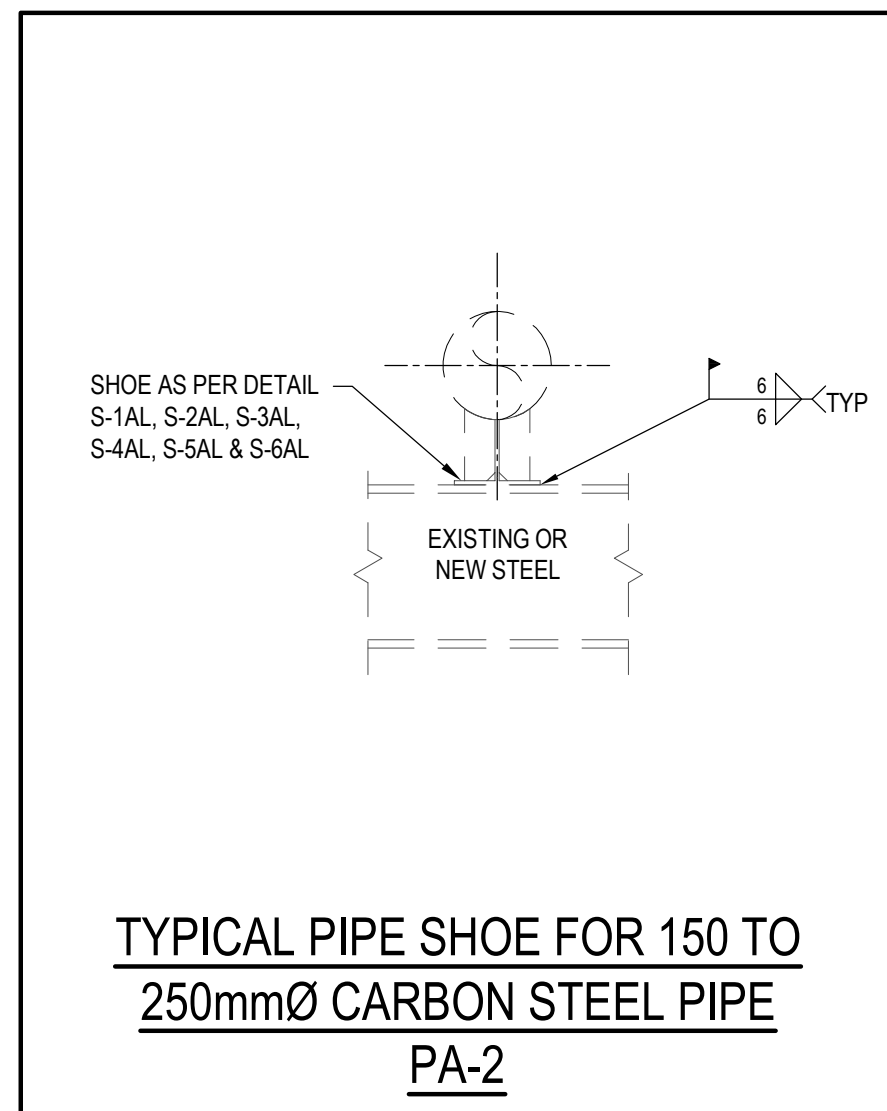
PROJECT:
NEW NAPANEE WPCP

TITLE:
PROCESS DETAILS (5)

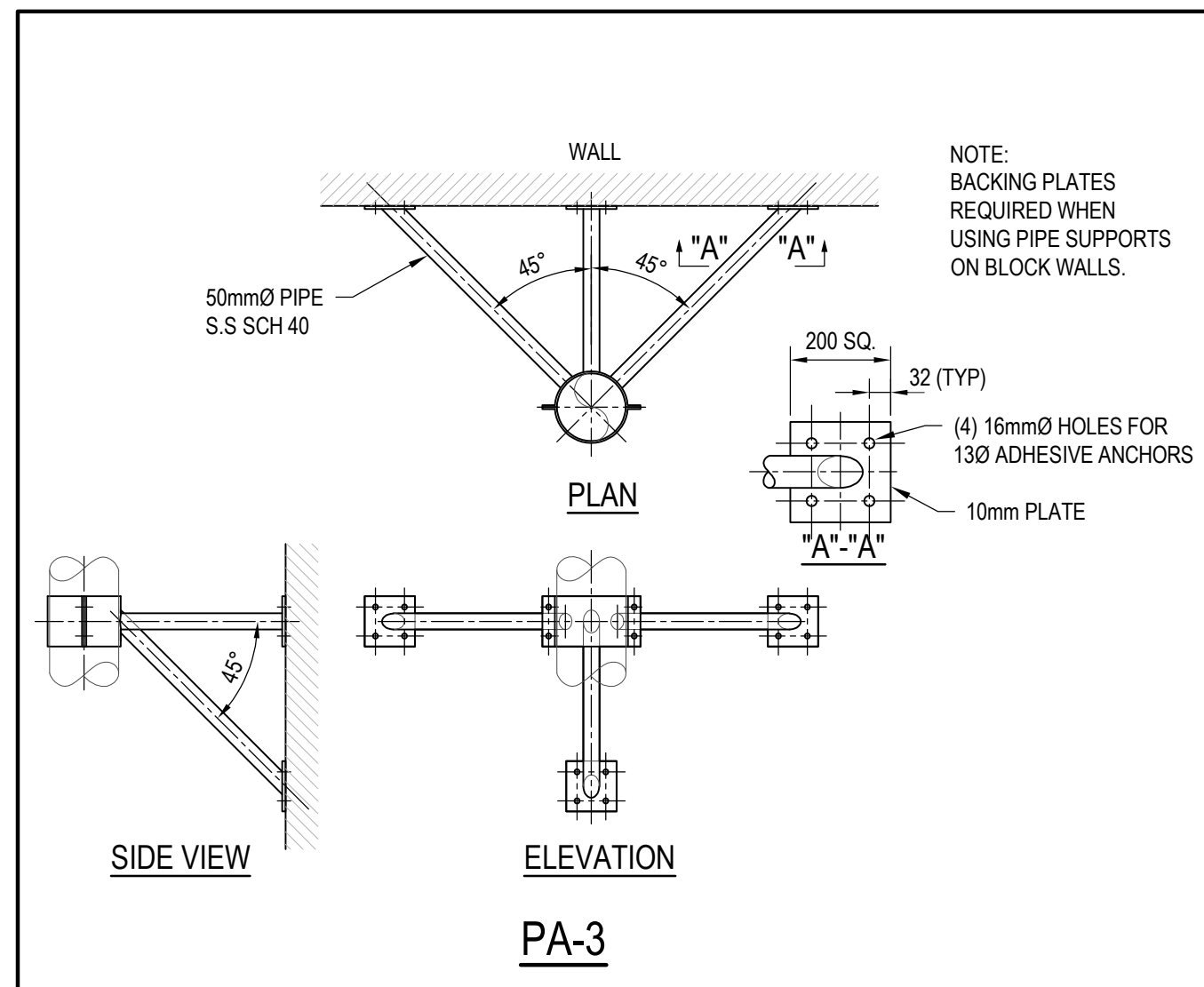
SCALE: NTS	JOB NO: 22001
DESIGNED BY: K.K. & A.S.	DATE: 2025/01/23
DRAWN BY: D.C.	DRAWING NO. P0405
CHECKED BY: B.Y.	



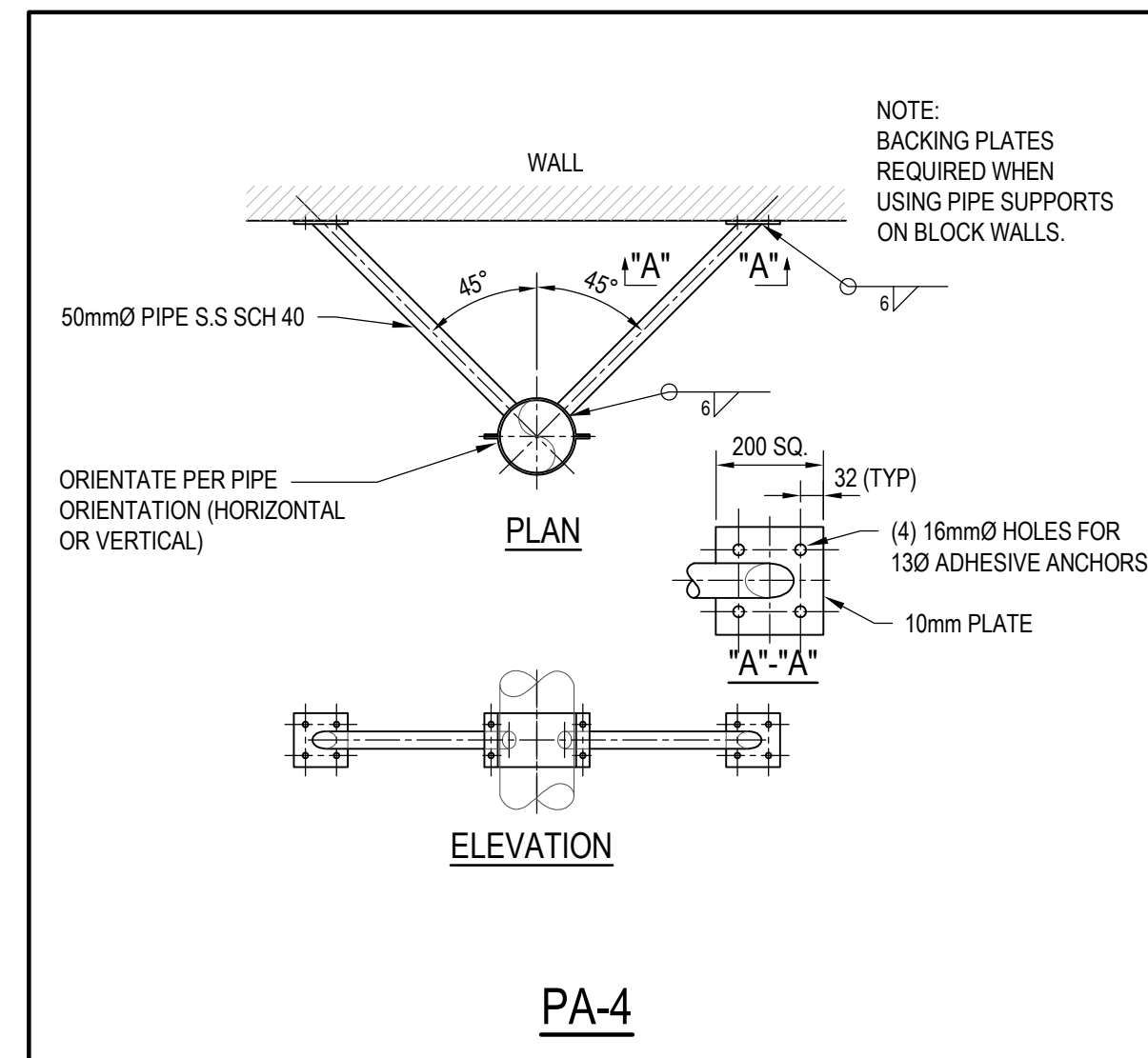
TYPICAL PIPE ANCHOR FOR UP TO 100mm PIPE
PA-1



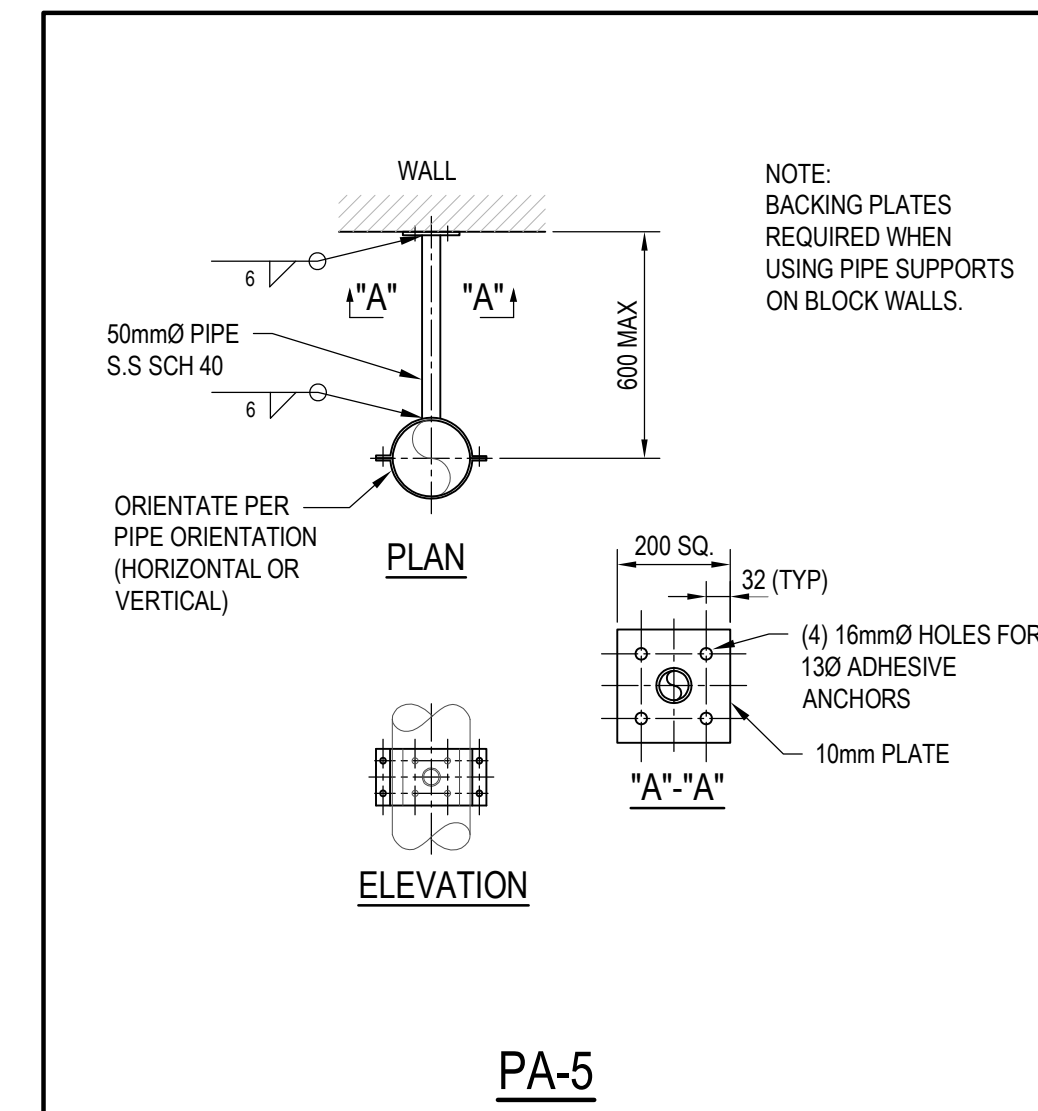
TYPICAL PIPE SHOE FOR 150 TO 250mm CARBON STEEL PIPE
PA-2



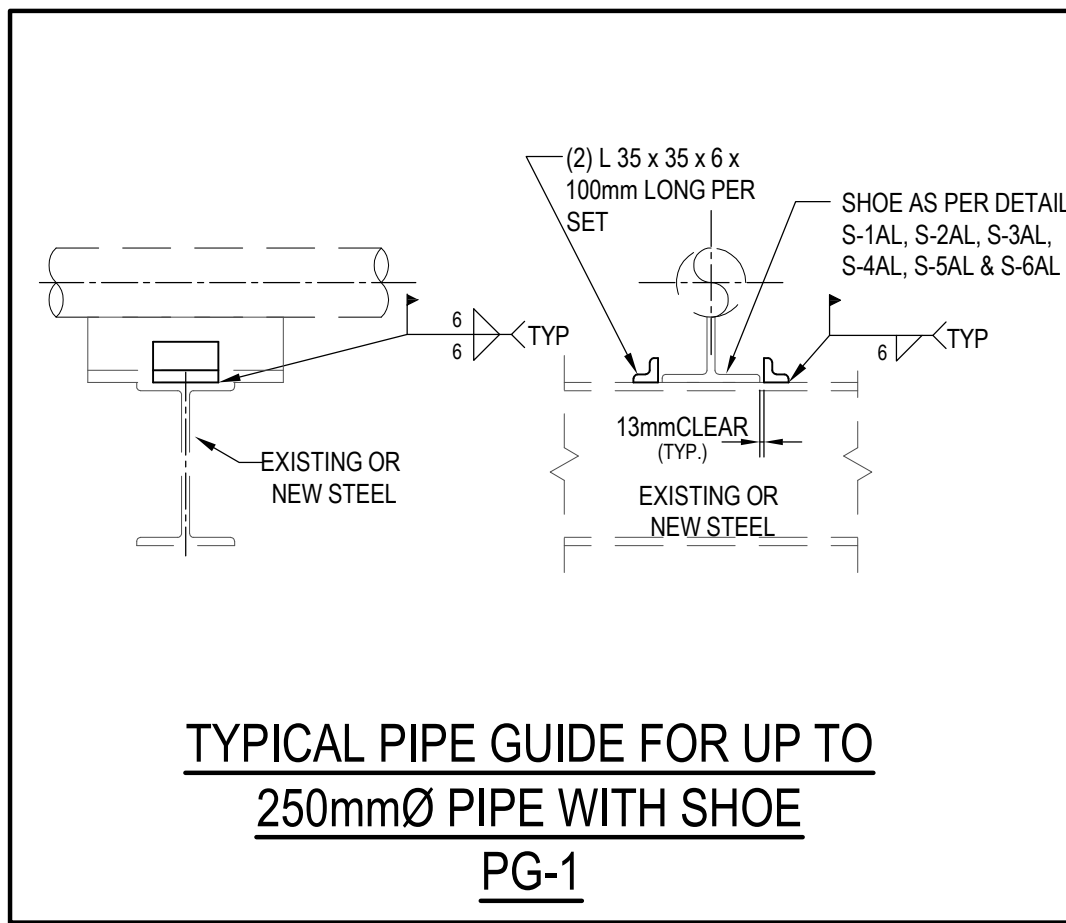
PA-3



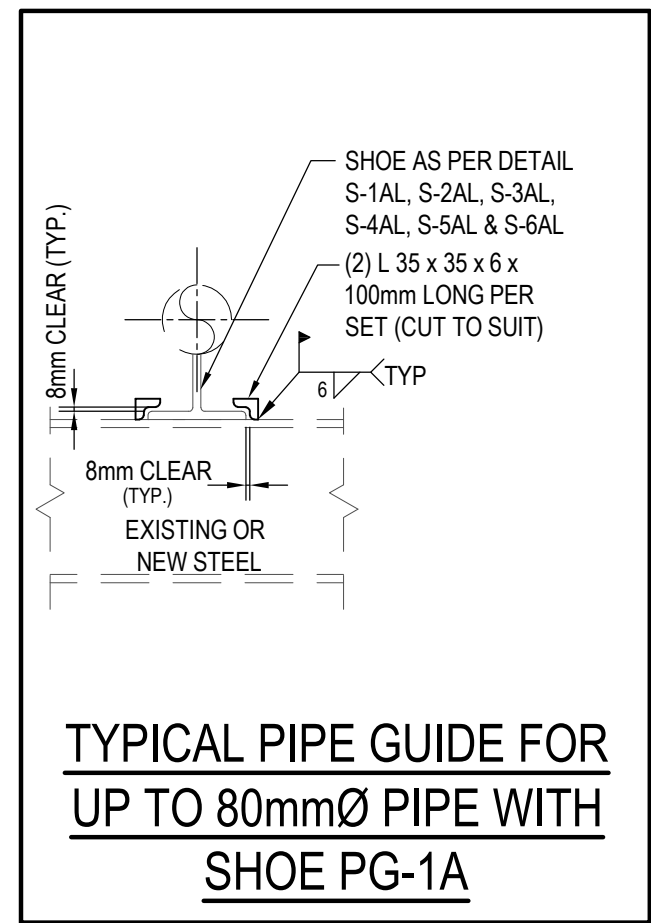
PA-4



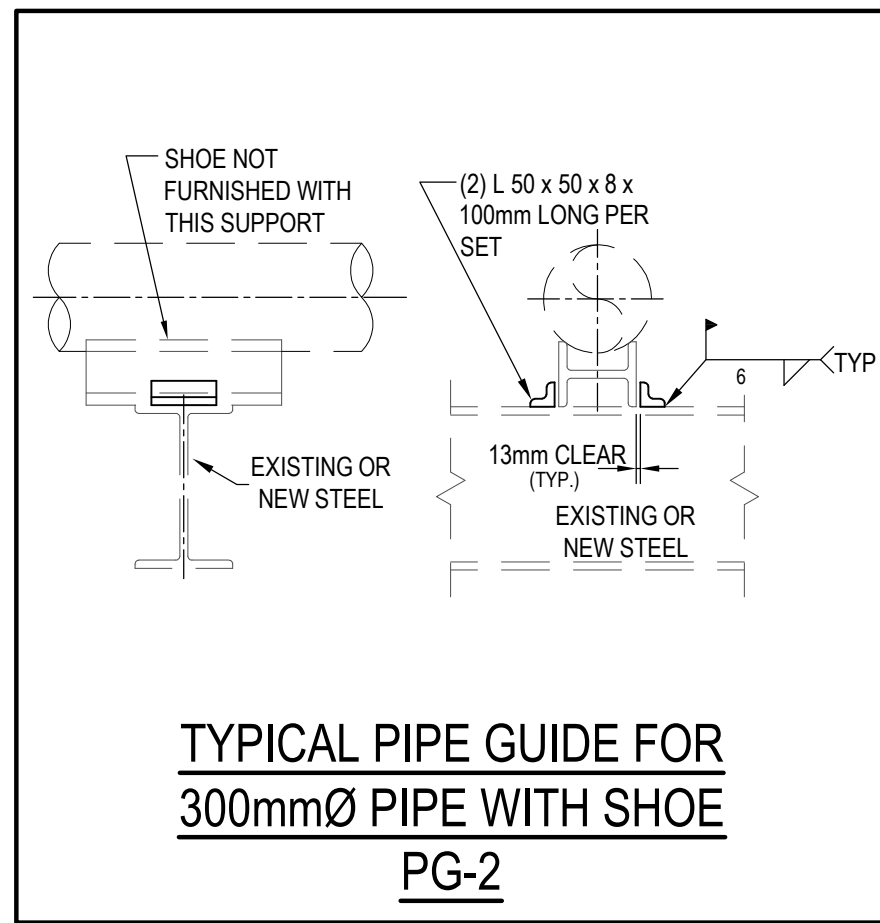
PA-5



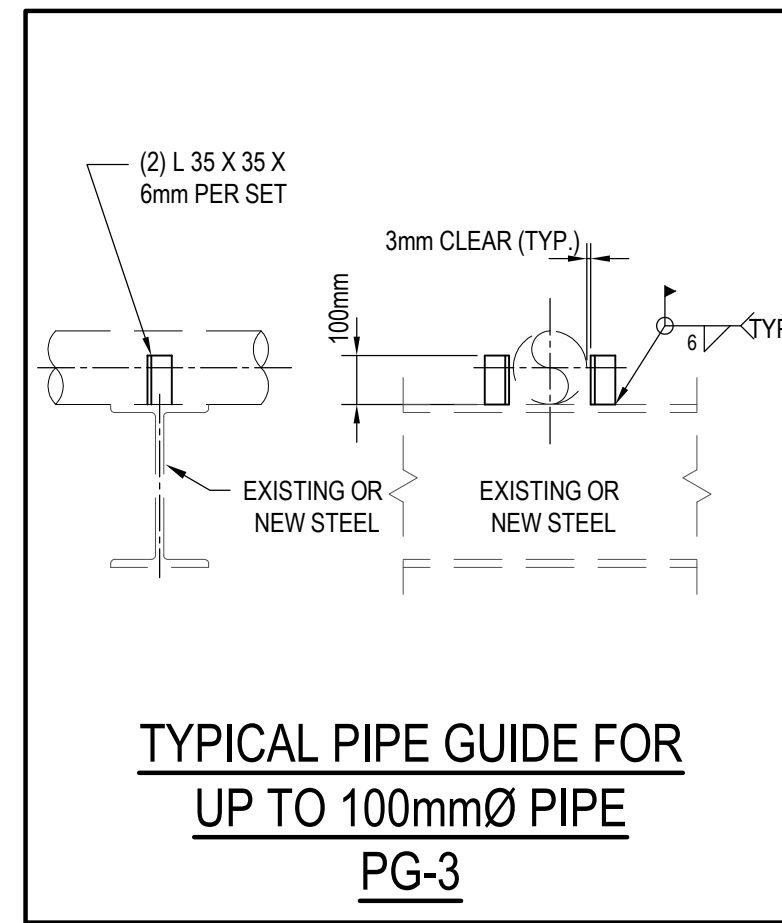
TYPICAL PIPE GUIDE FOR UP TO 250mm PIPE WITH SHOE
PG-1



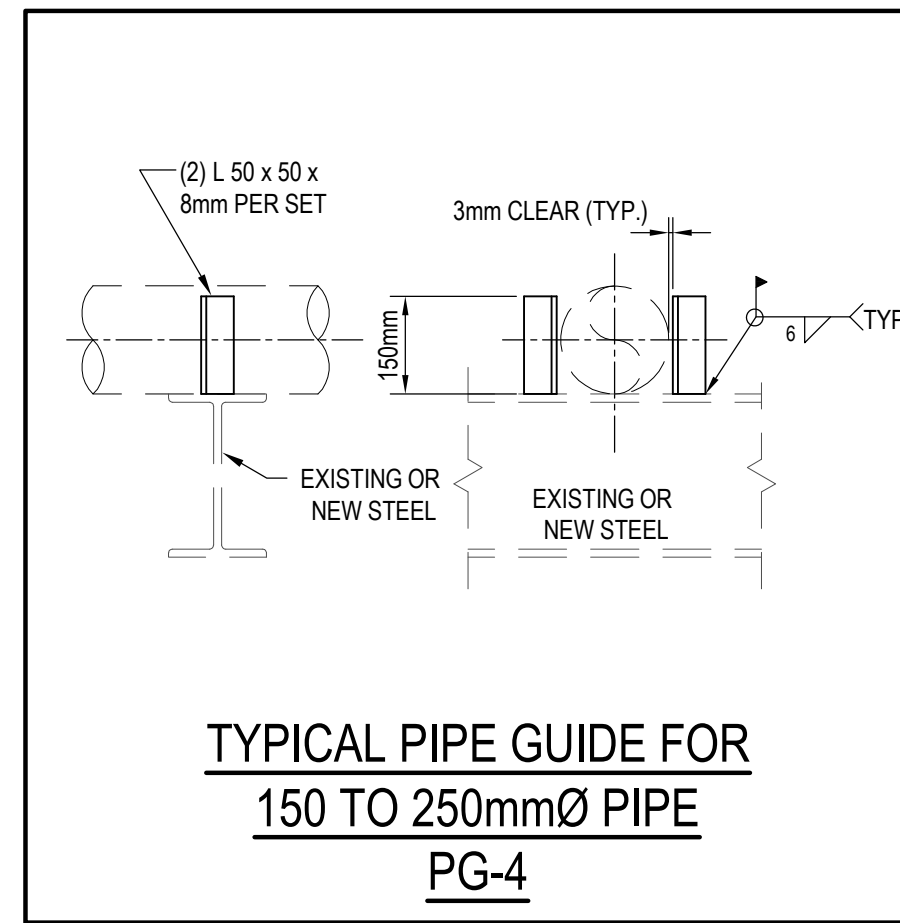
TYPICAL PIPE GUIDE FOR UP TO 80mm PIPE WITH SHOE PG-1A



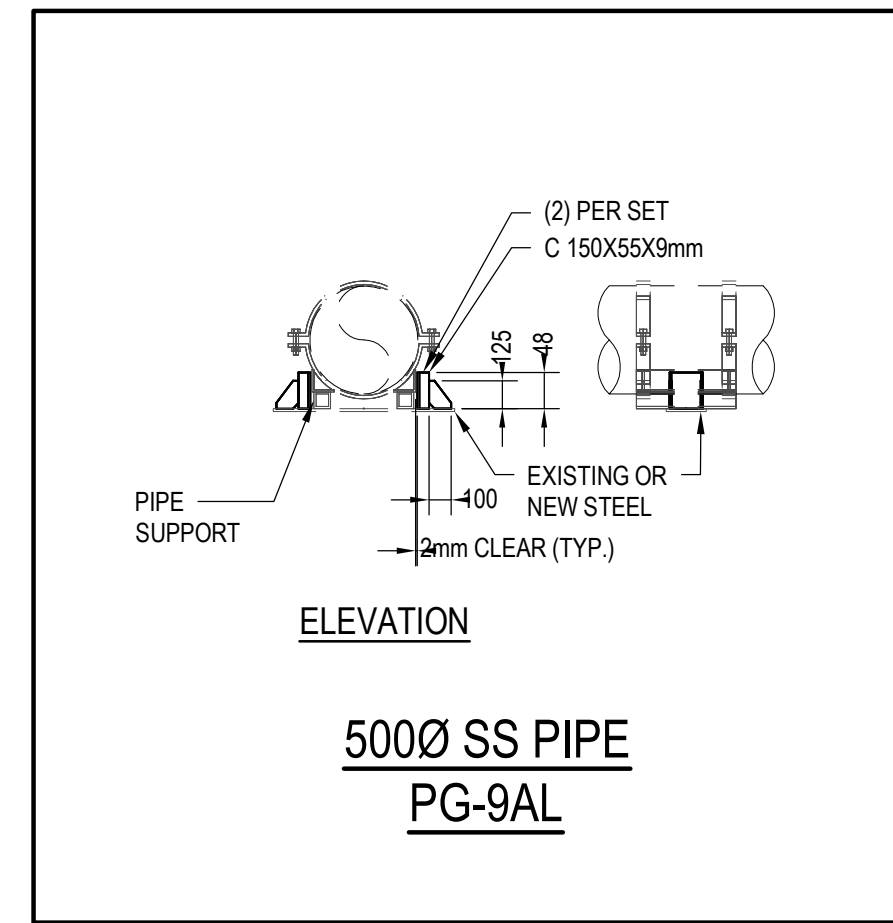
TYPICAL PIPE GUIDE FOR 300mm PIPE WITH SHOE
PG-2



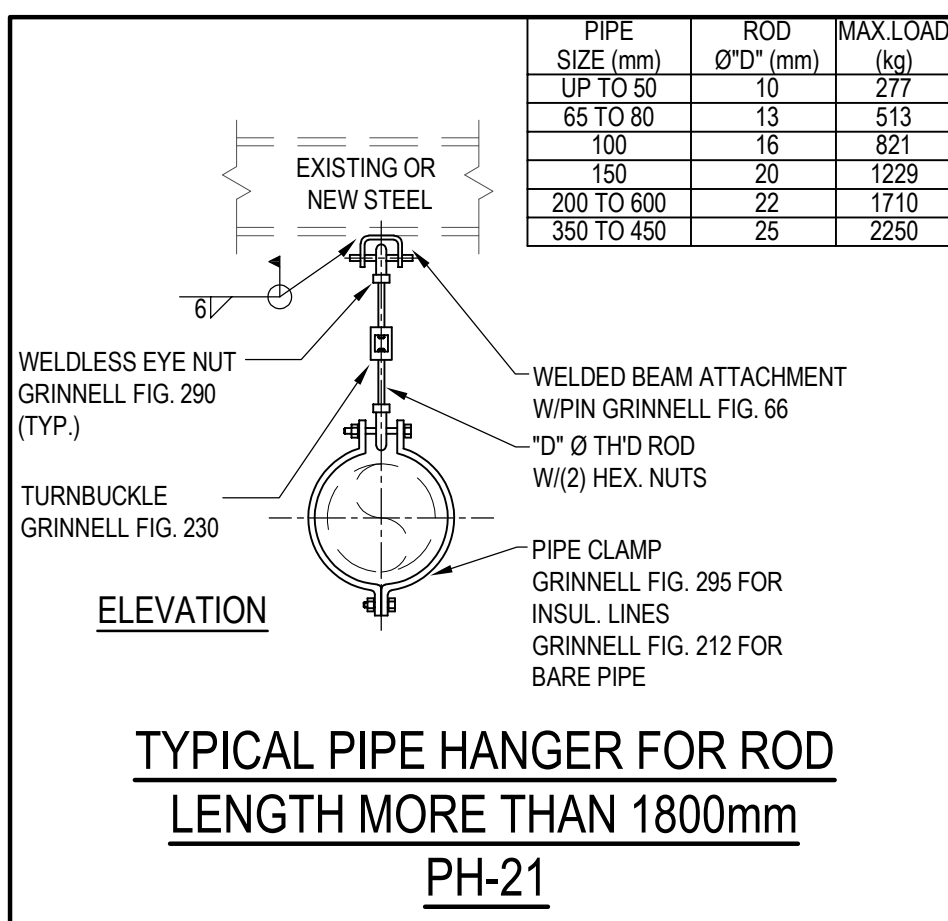
TYPICAL PIPE GUIDE FOR UP TO 100mm PIPE
PG-3



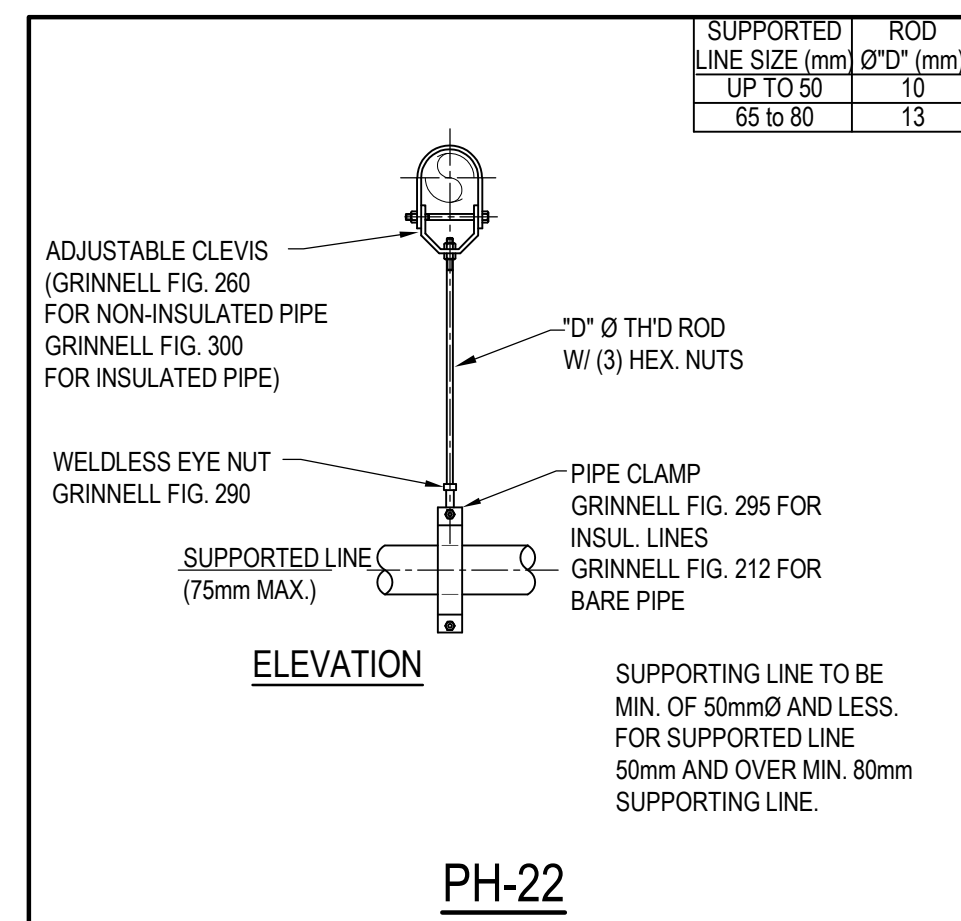
TYPICAL PIPE GUIDE FOR 150 TO 250mm PIPE
PG-4



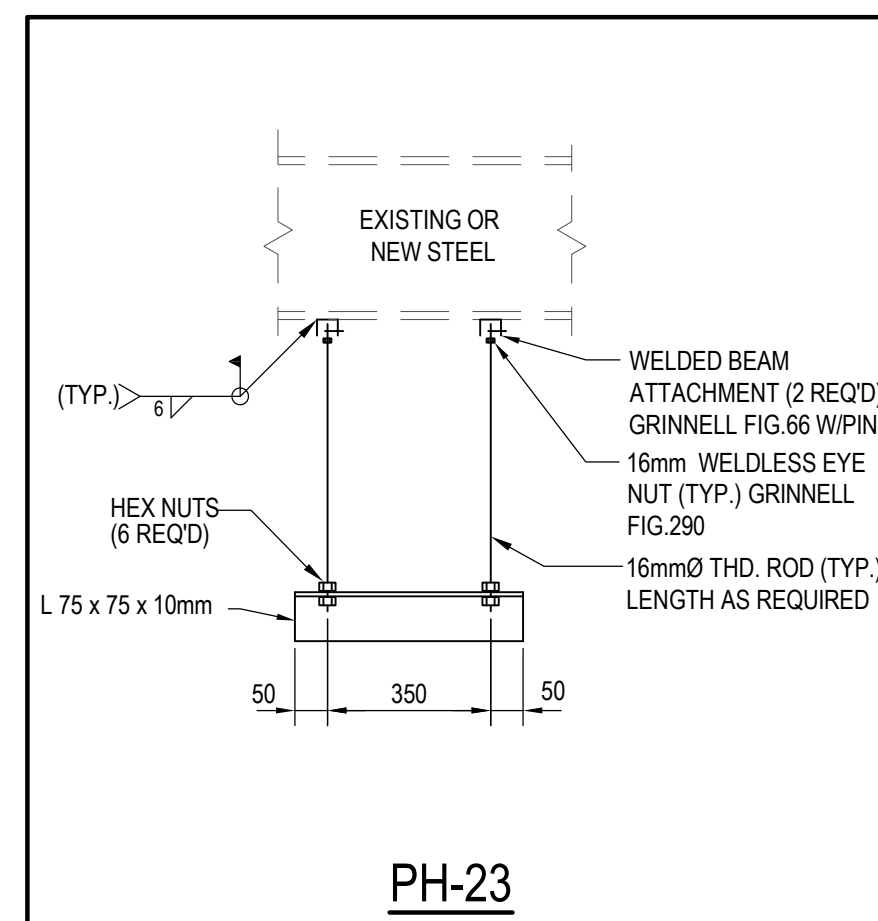
5000 SS PIPE PG-9AL



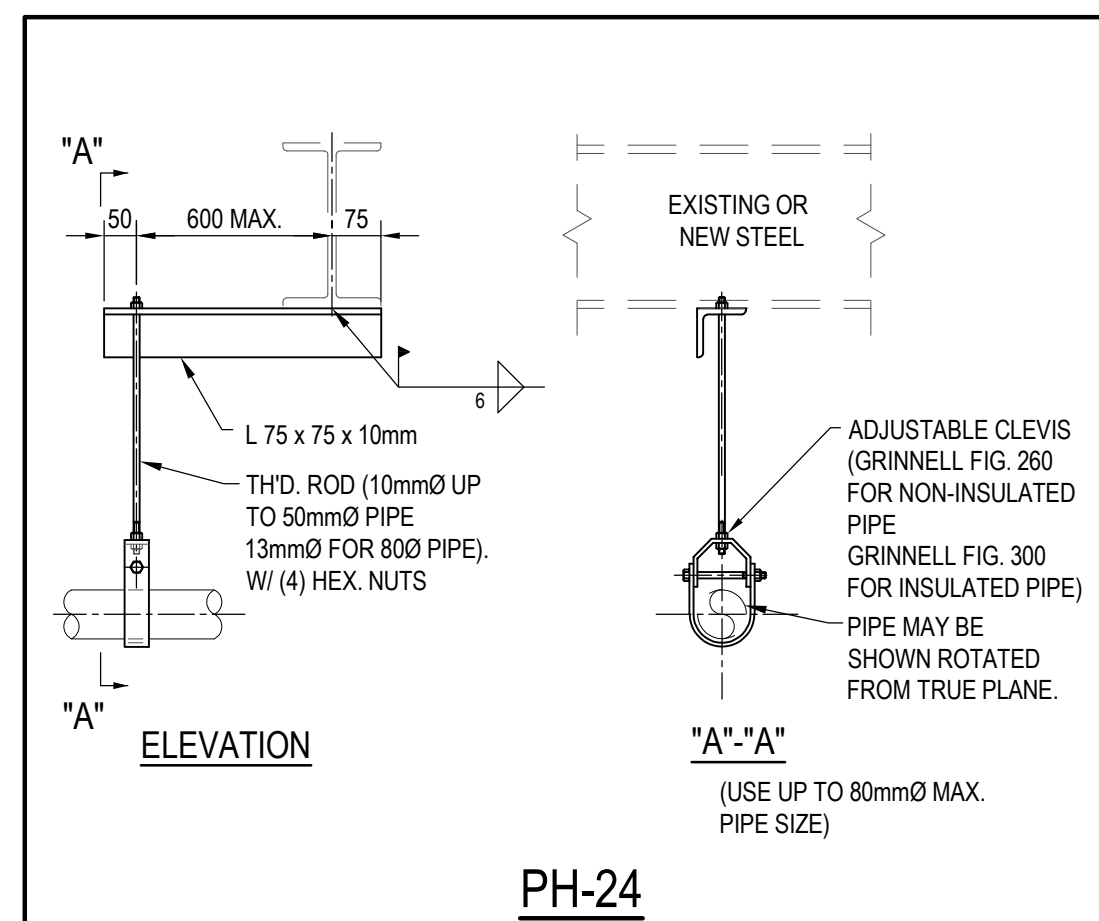
TYPICAL PIPE HANGER FOR ROD LENGTH MORE THAN 1800mm
PH-21



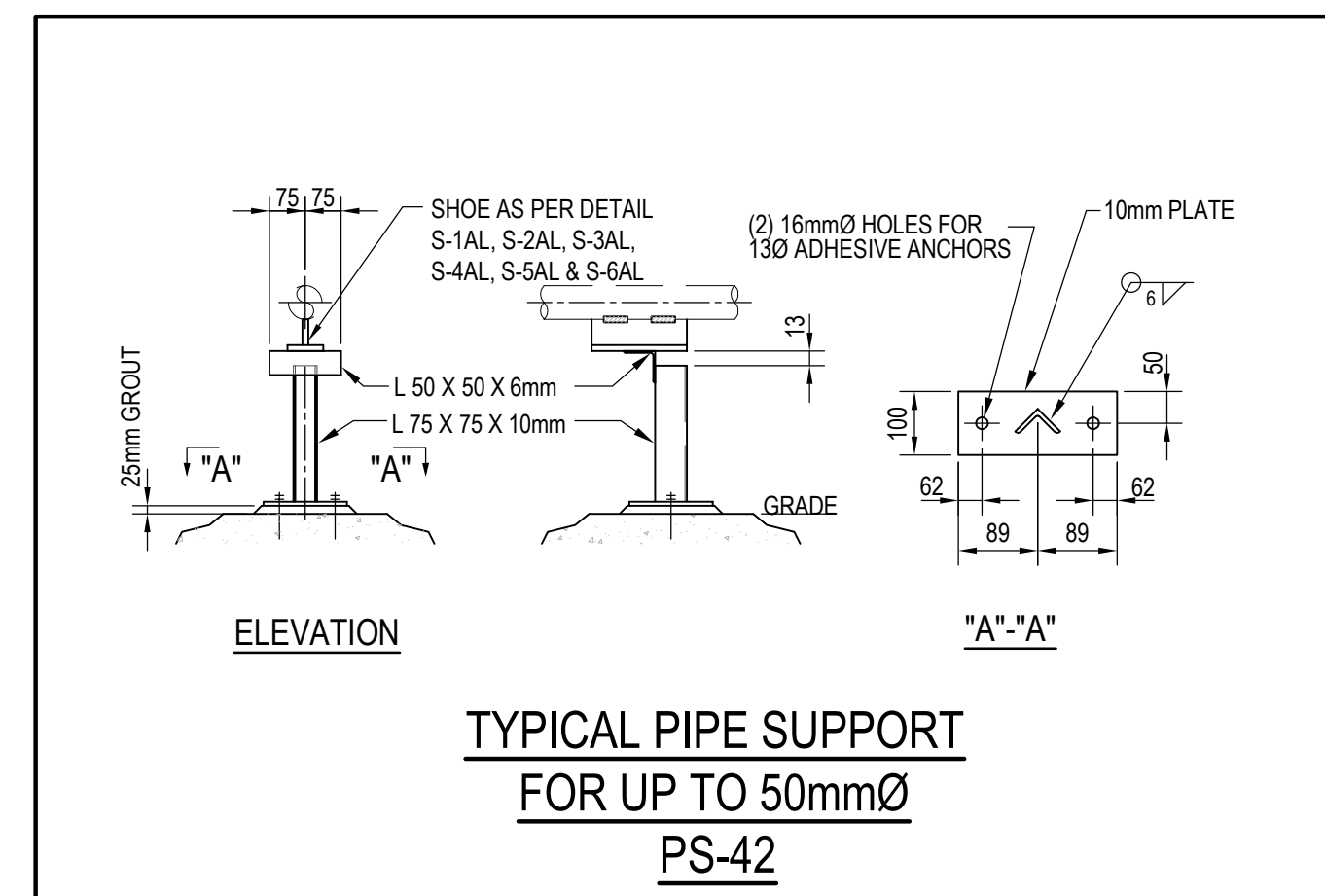
PH-22



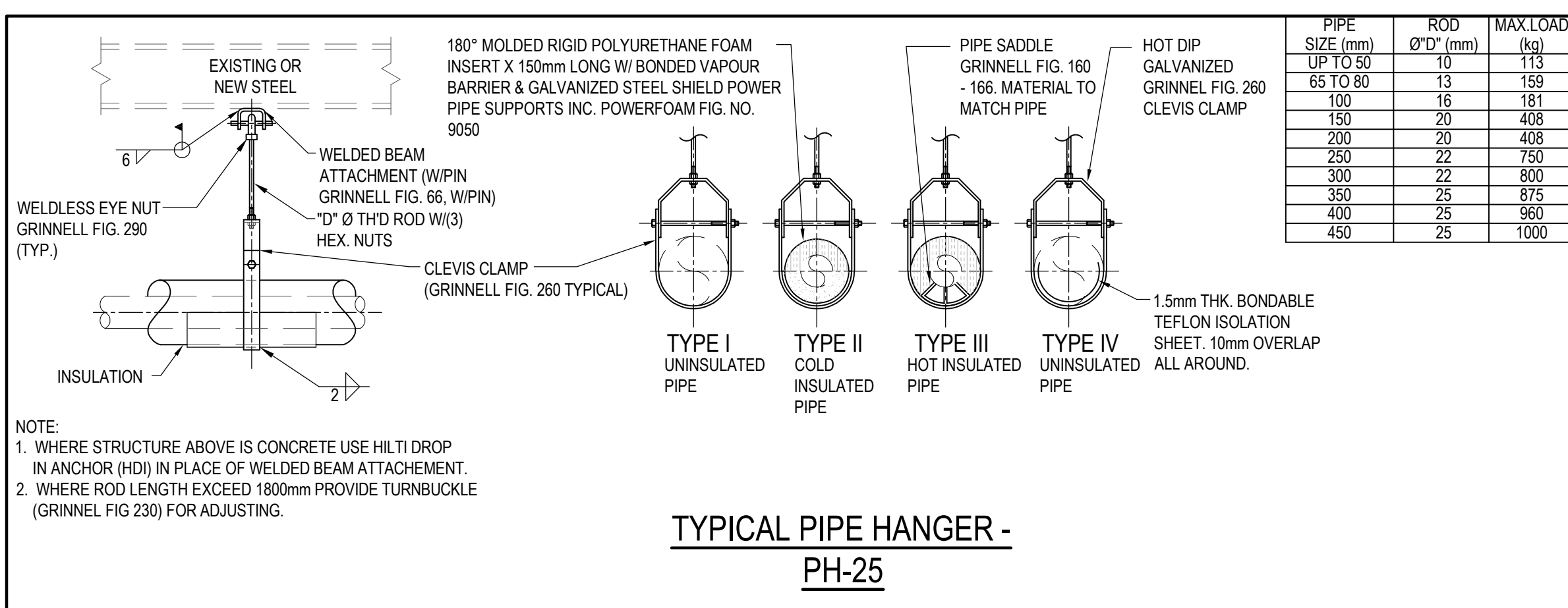
PH-23



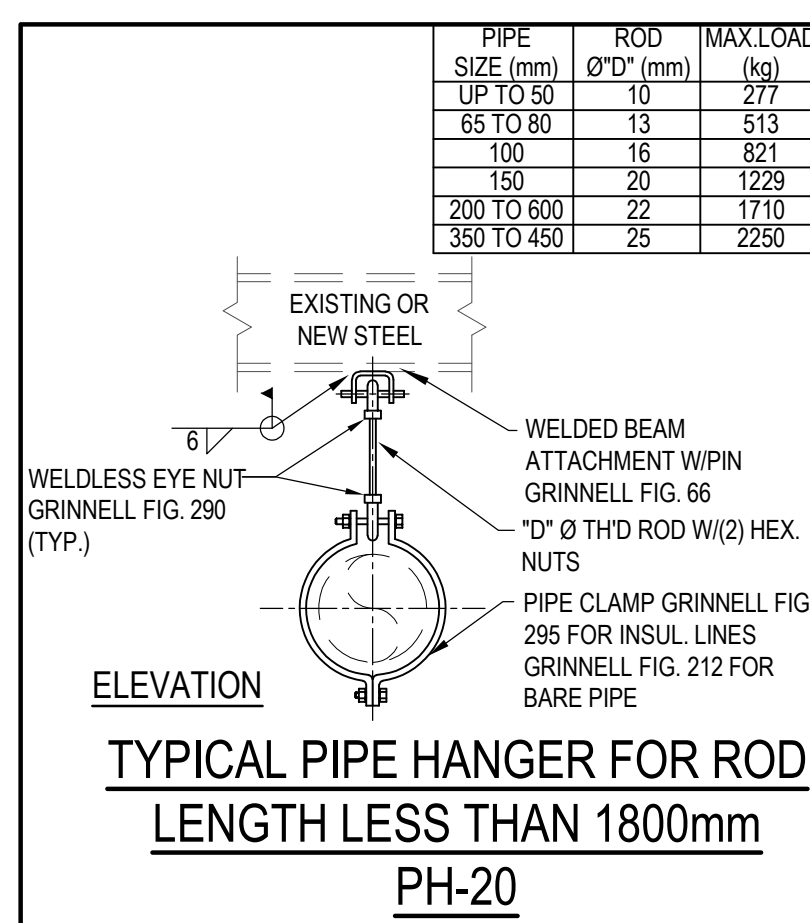
PH-24



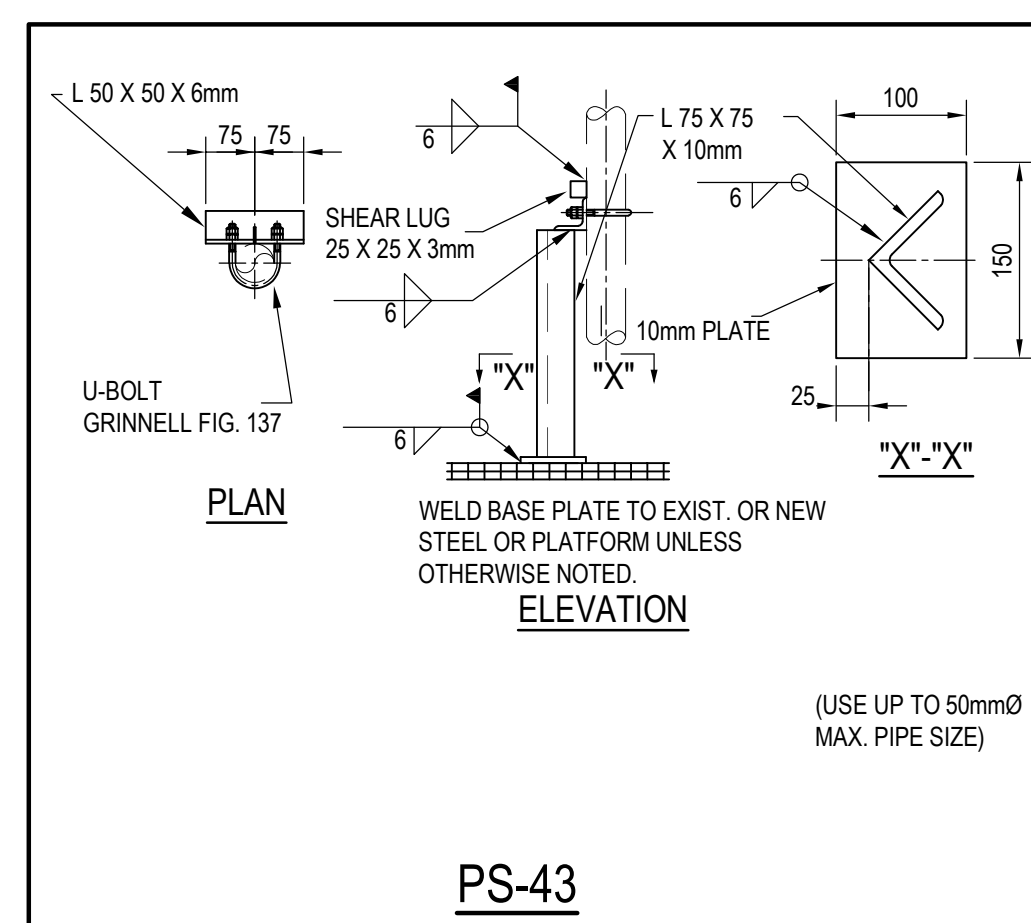
TYPICAL PIPE SUPPORT FOR UP TO 50mm PIPE
PS-42



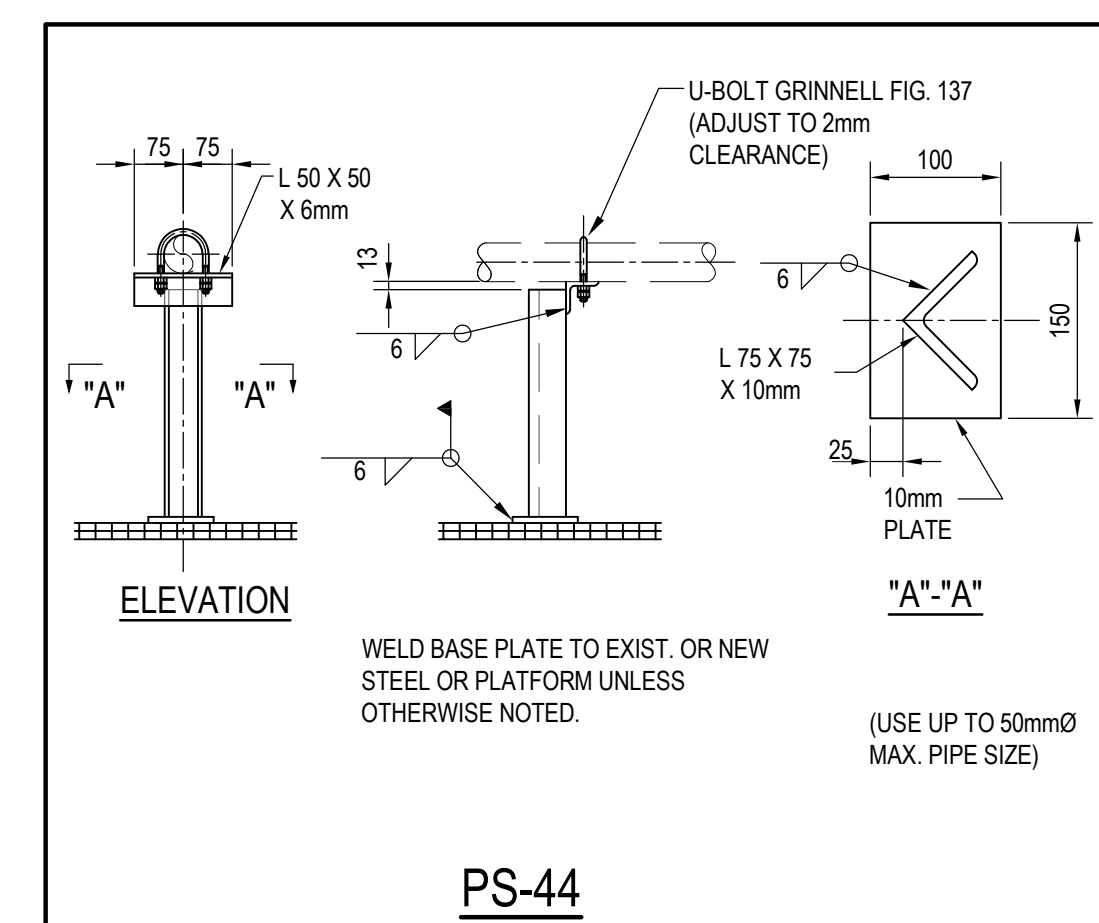
TYPICAL PIPE HANGER - PH-25



TYPICAL PIPE HANGER FOR ROD LENGTH LESS THAN 1800mm
PH-20



PS-43



PS-44

DATE	NO.	REVISION
2025/01/23	2	ISSUED FOR TENDER
2024/08/23	1	ISSUED FOR ECA APPROVAL



CONSULTANT:
EVB ENGINEERING
800 SECOND STREET WEST
CORNWALL, ONTARIO CANADA, K6J 1H6
TEL: 613-935-3775 | FAX: 613-935-6450
WEBSITE: EVBengineering.com

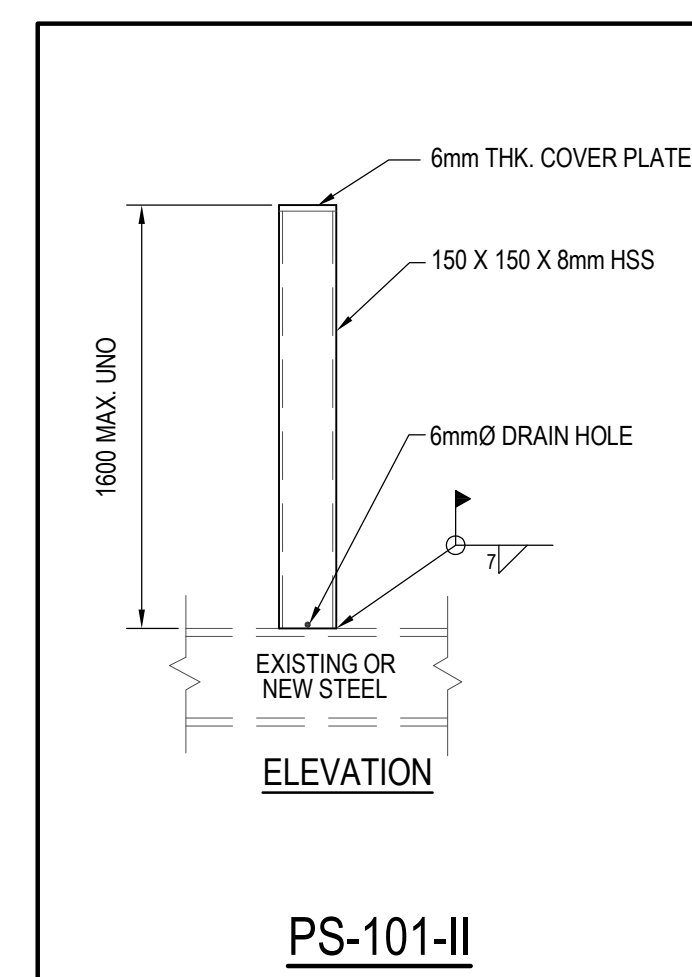
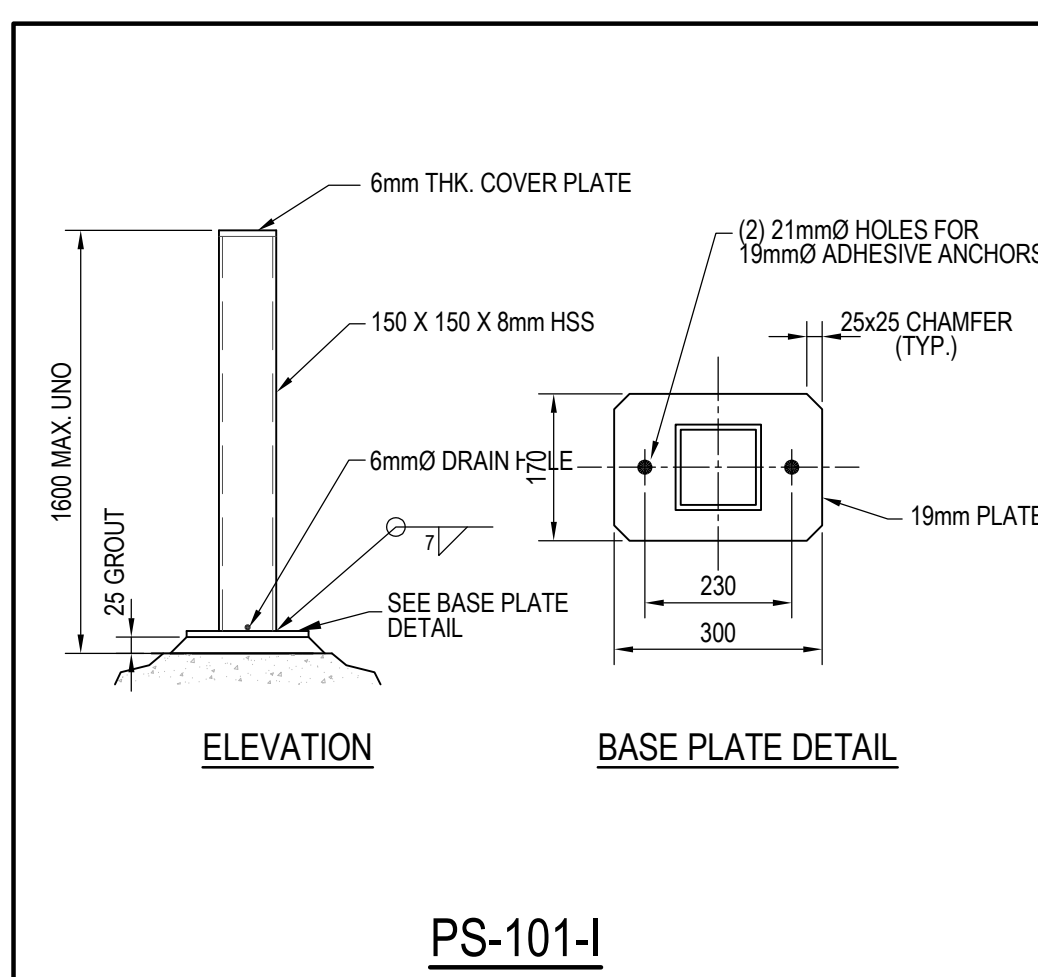
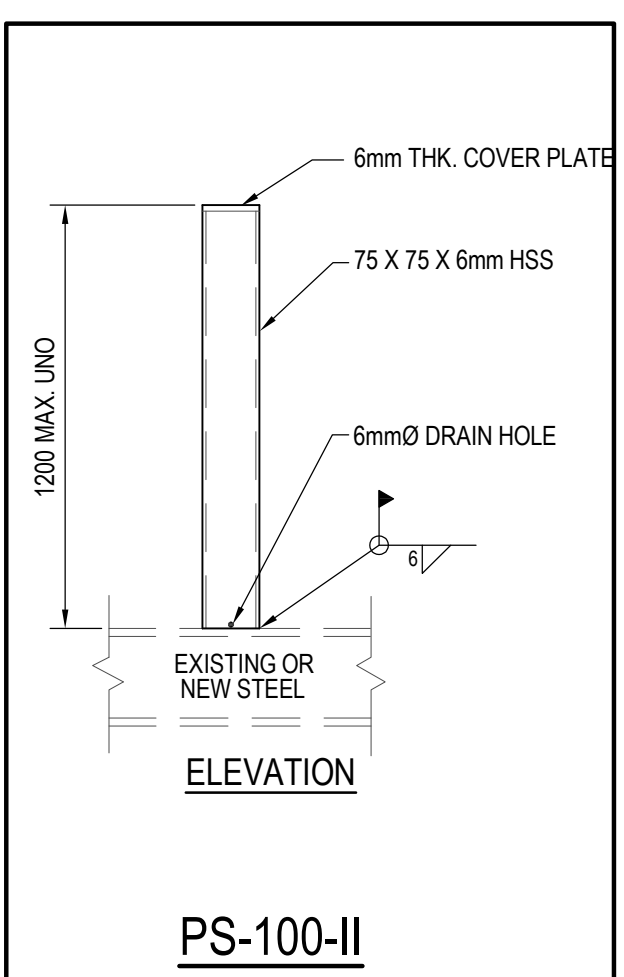
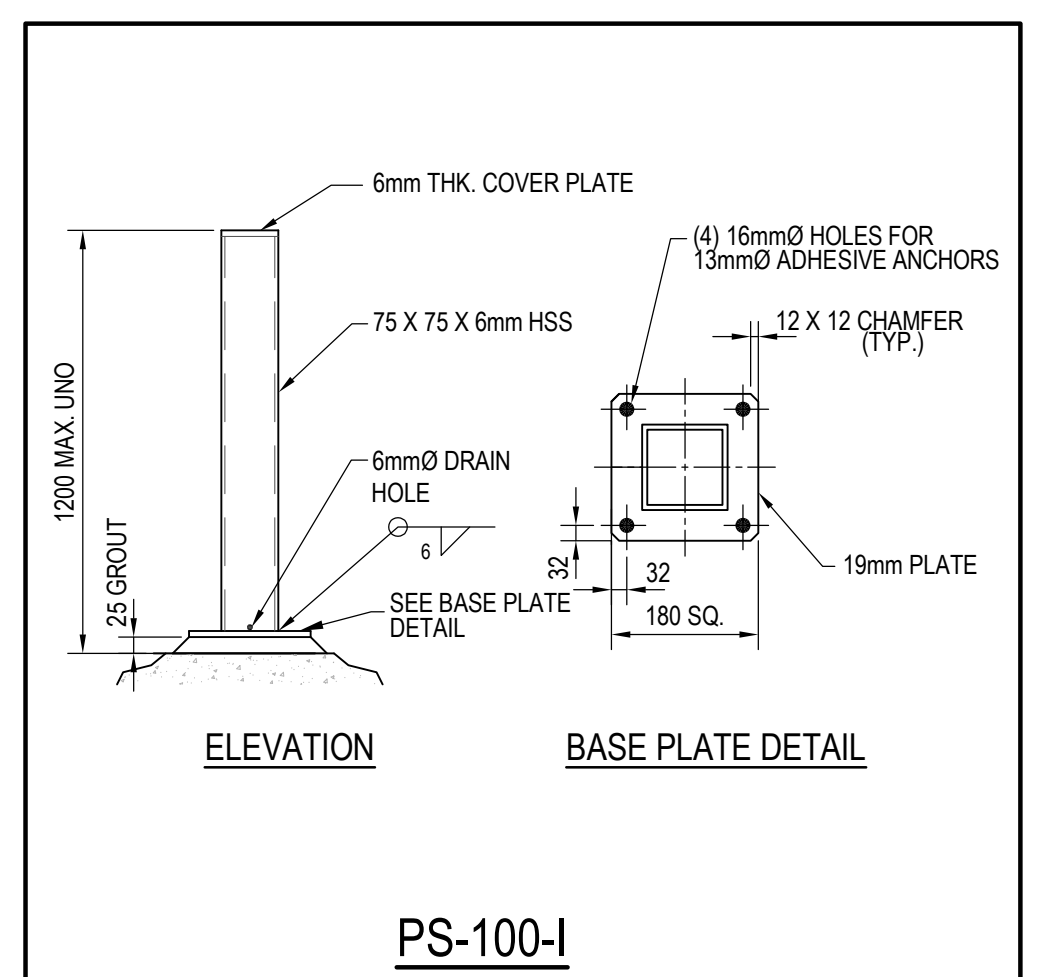
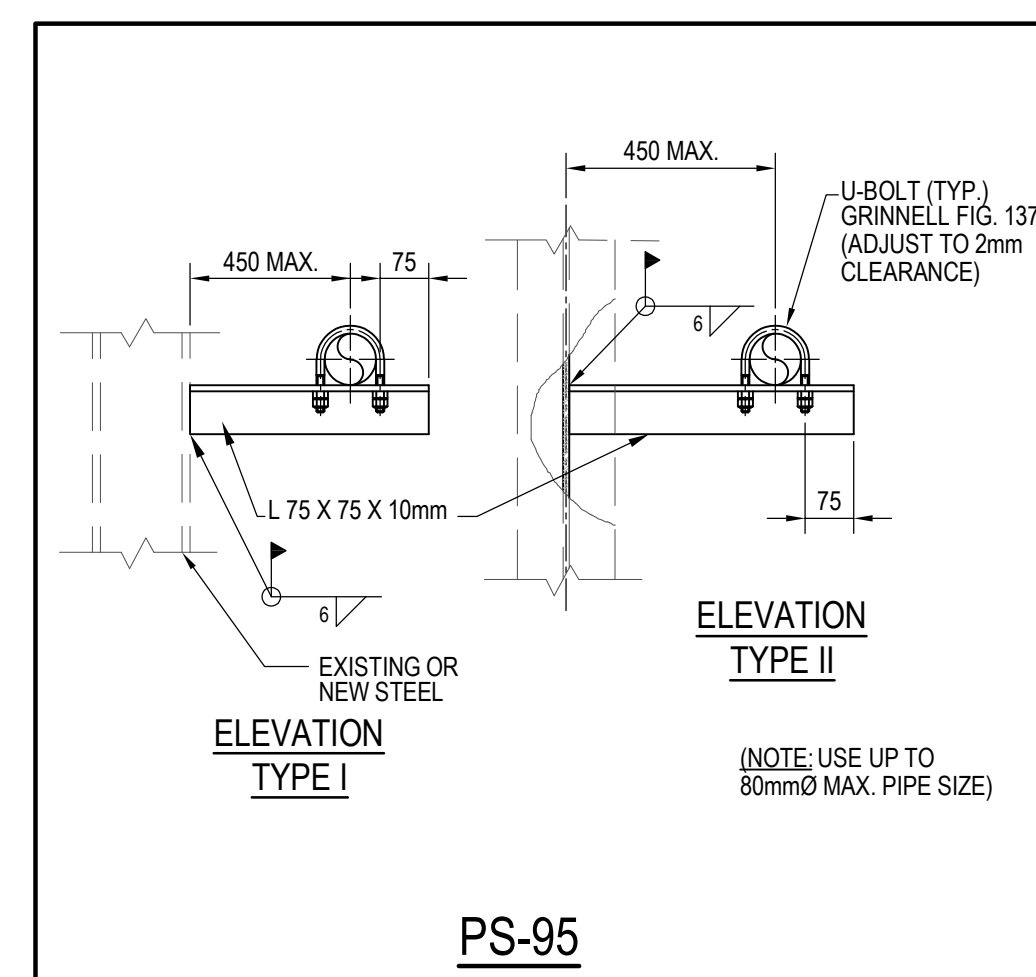
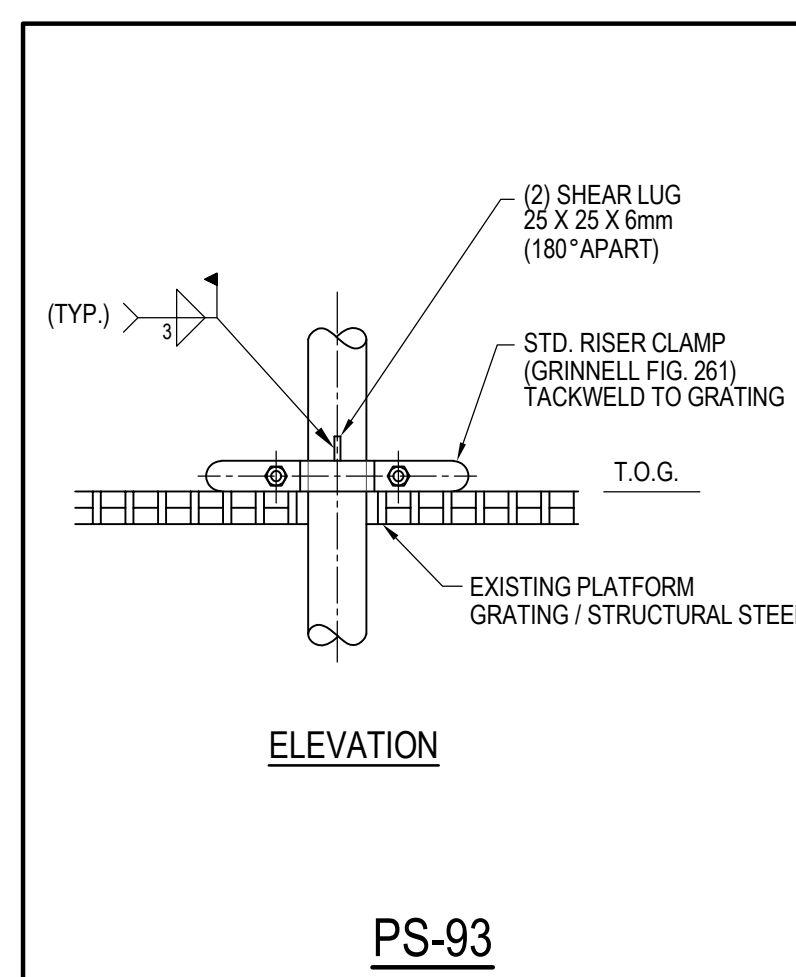
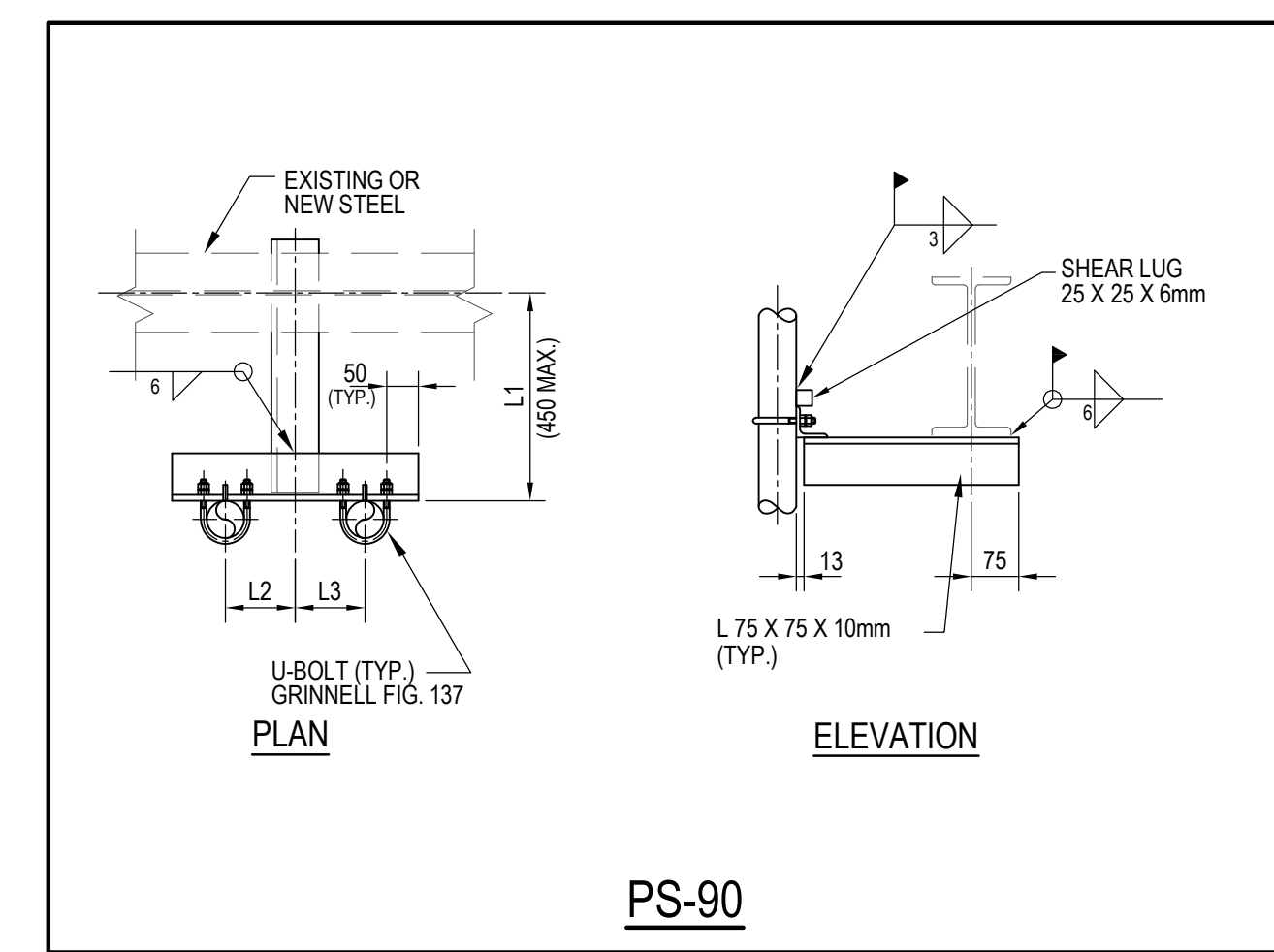
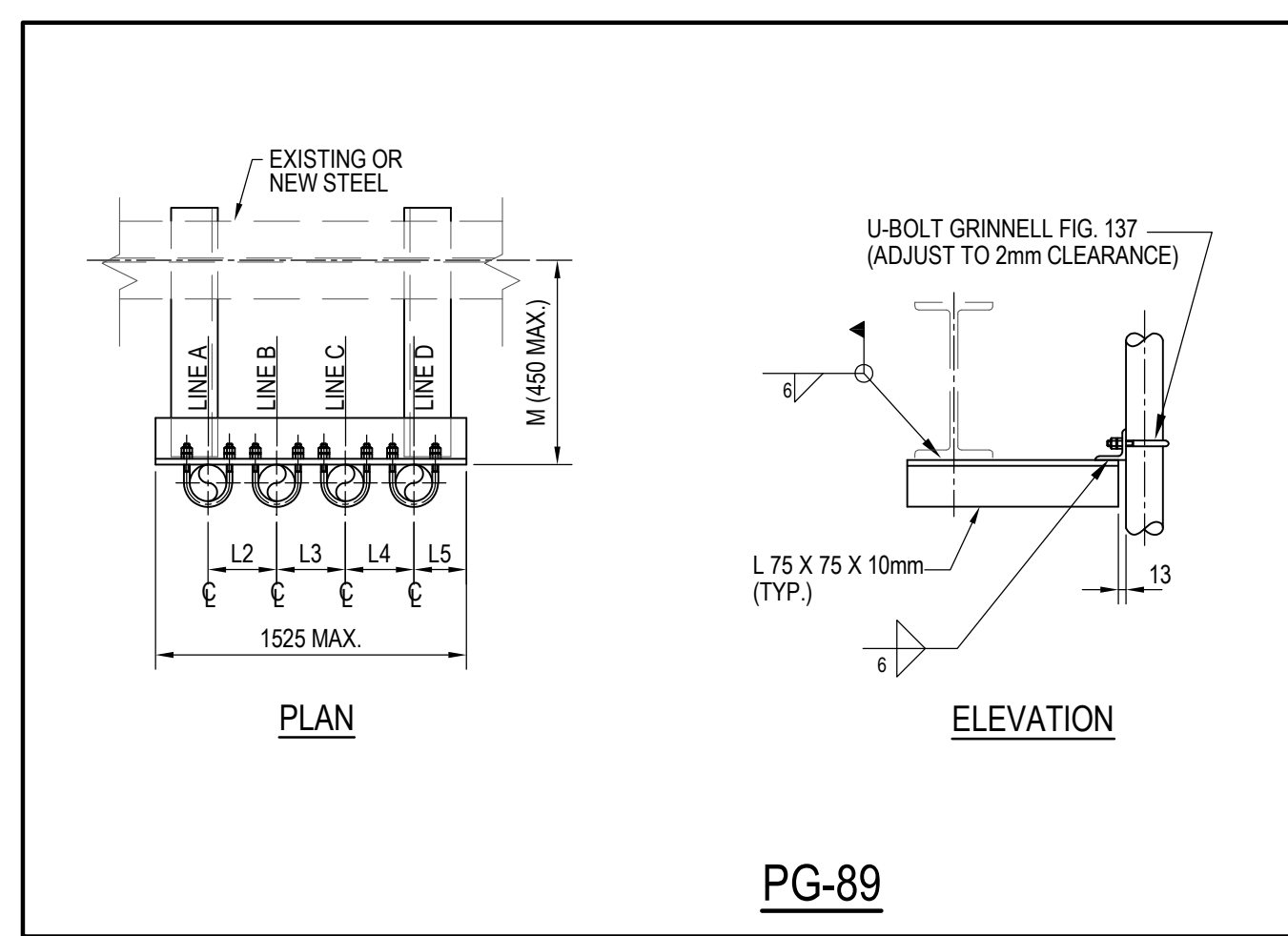
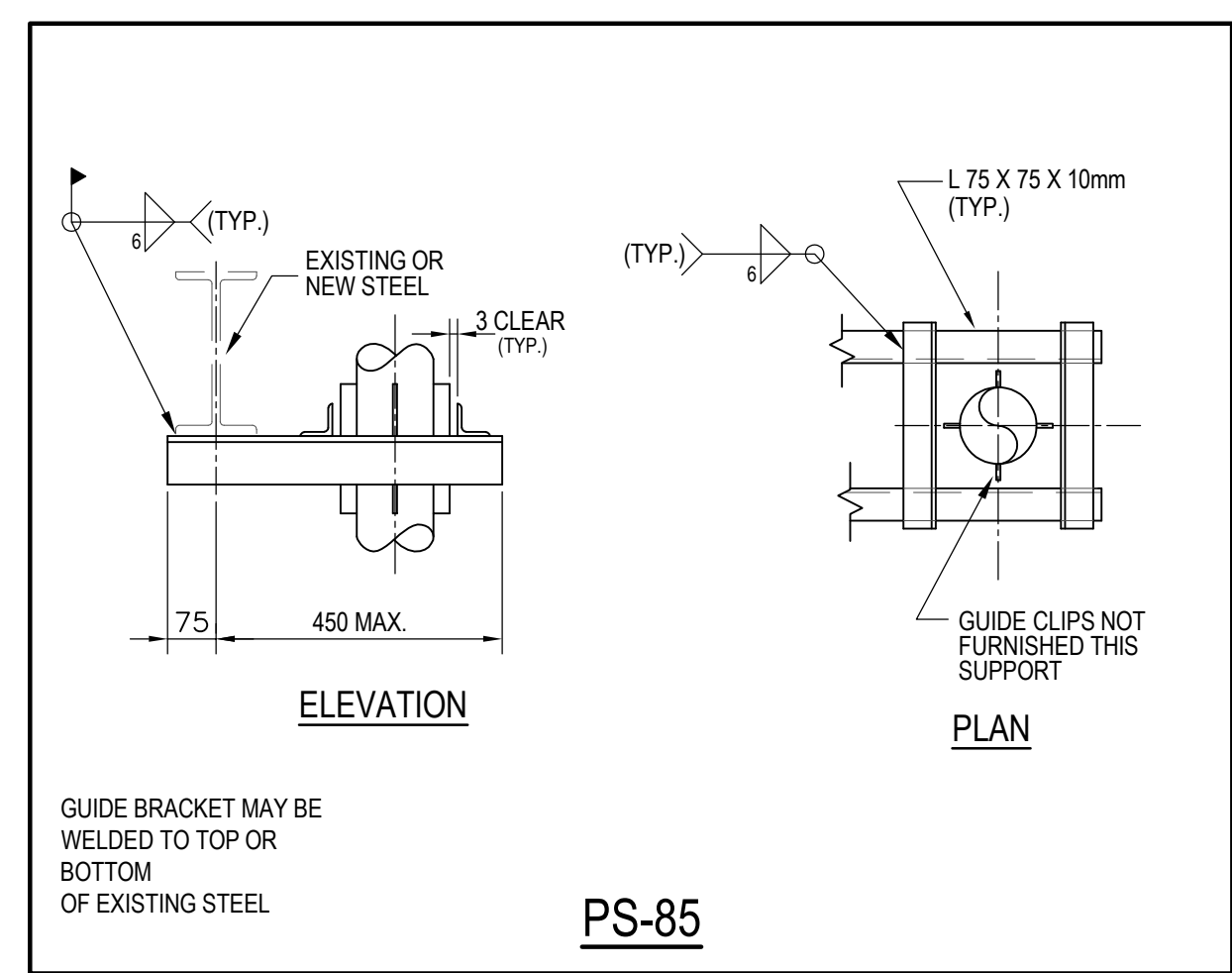
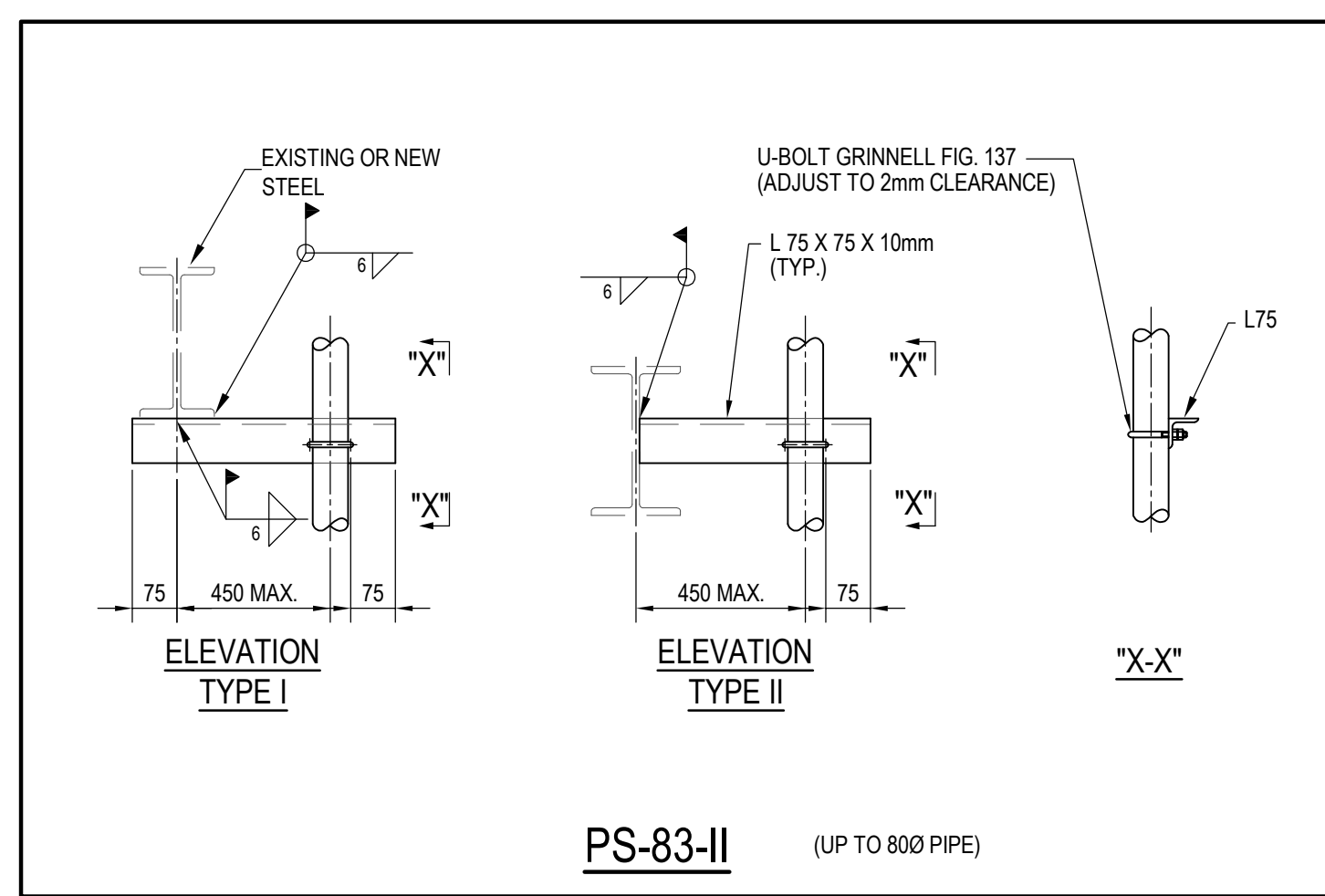
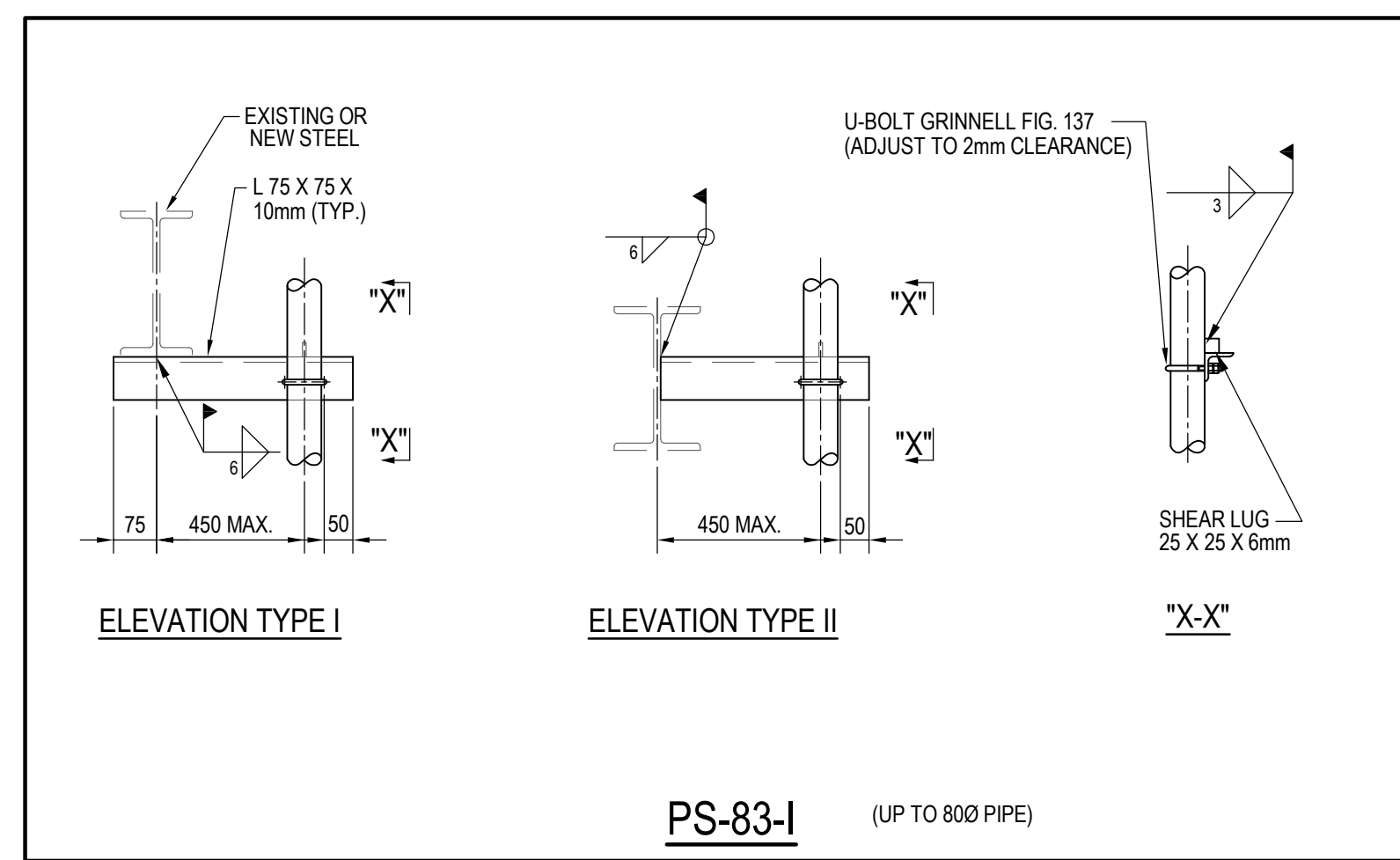
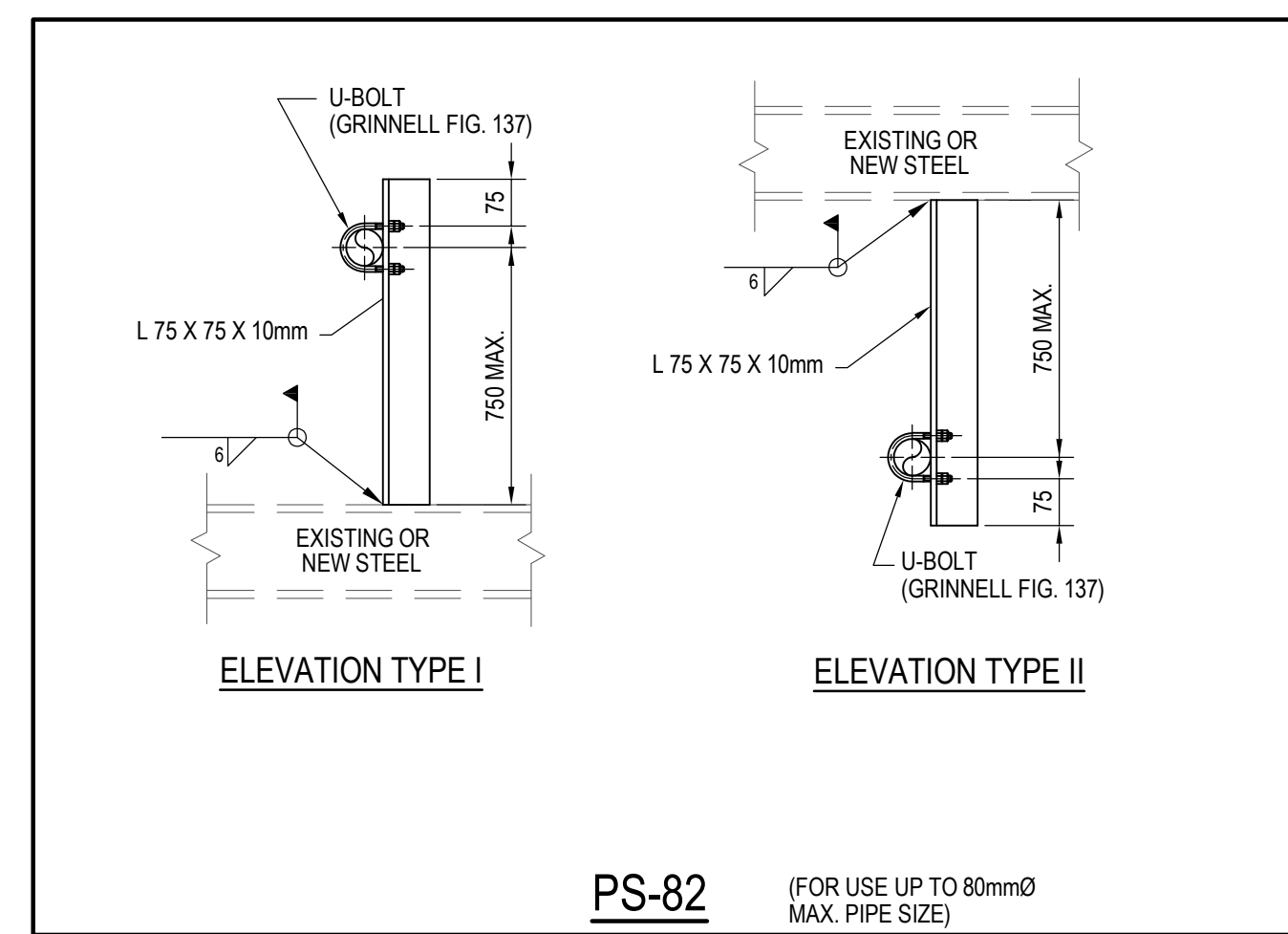
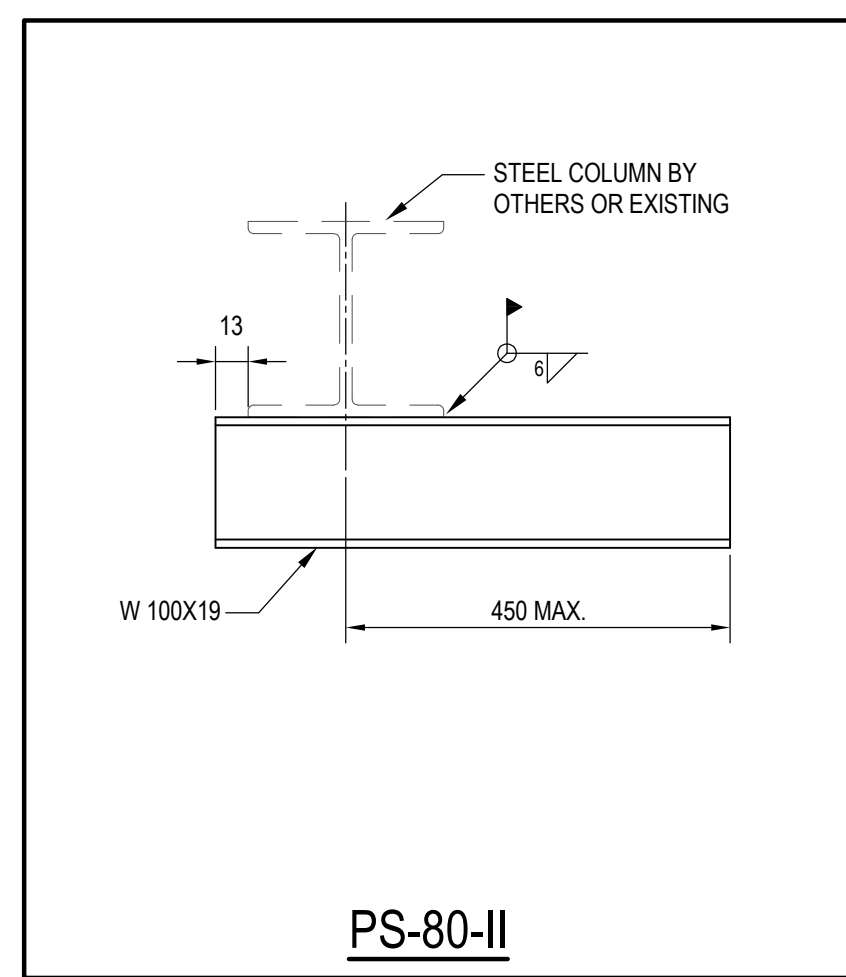
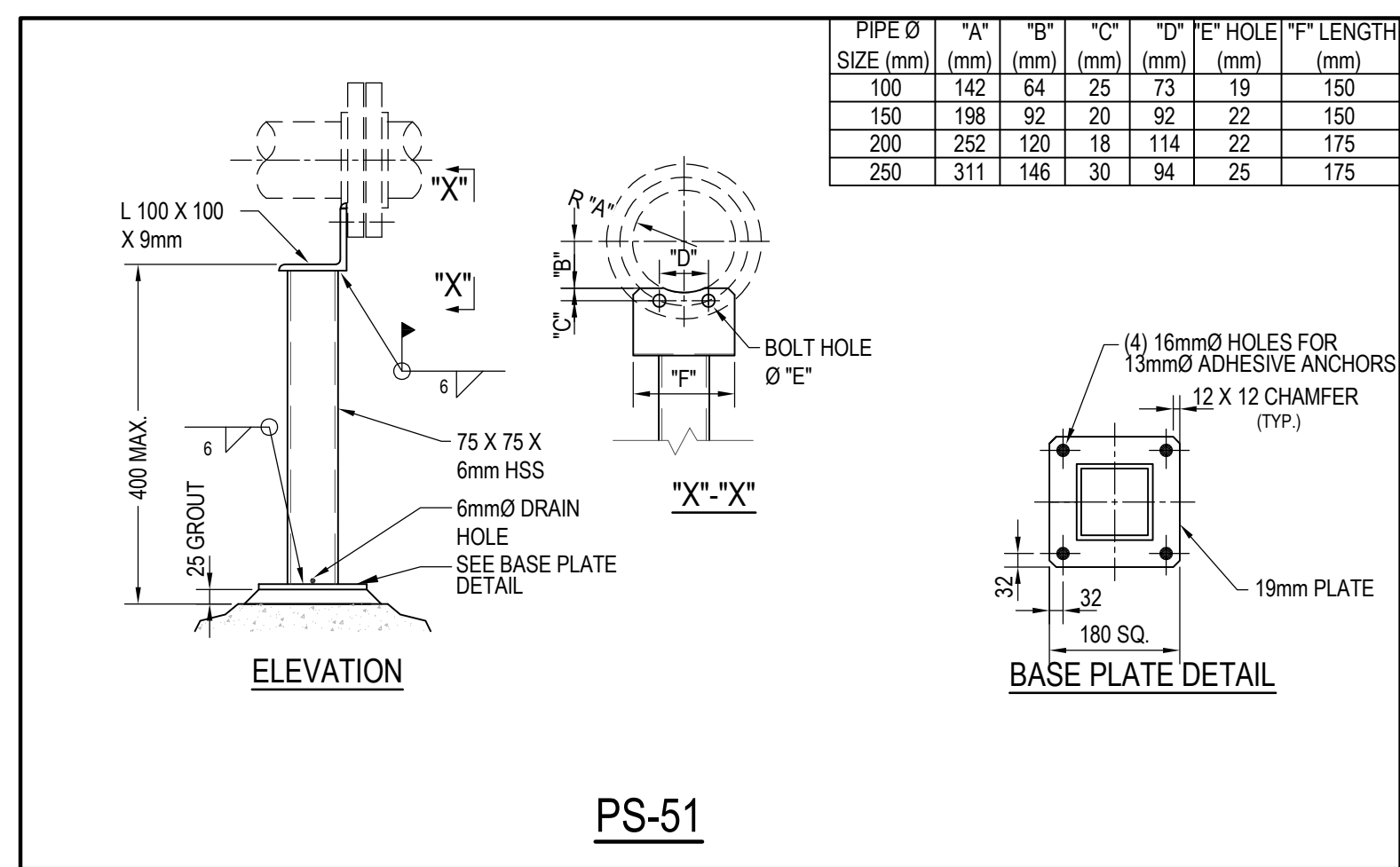
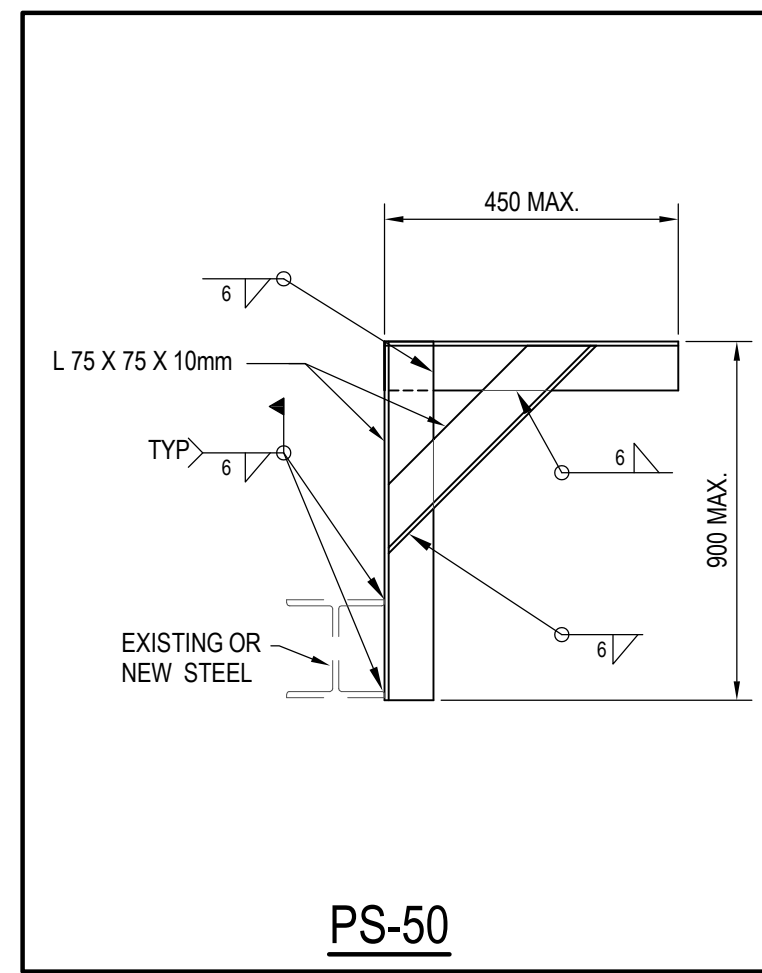
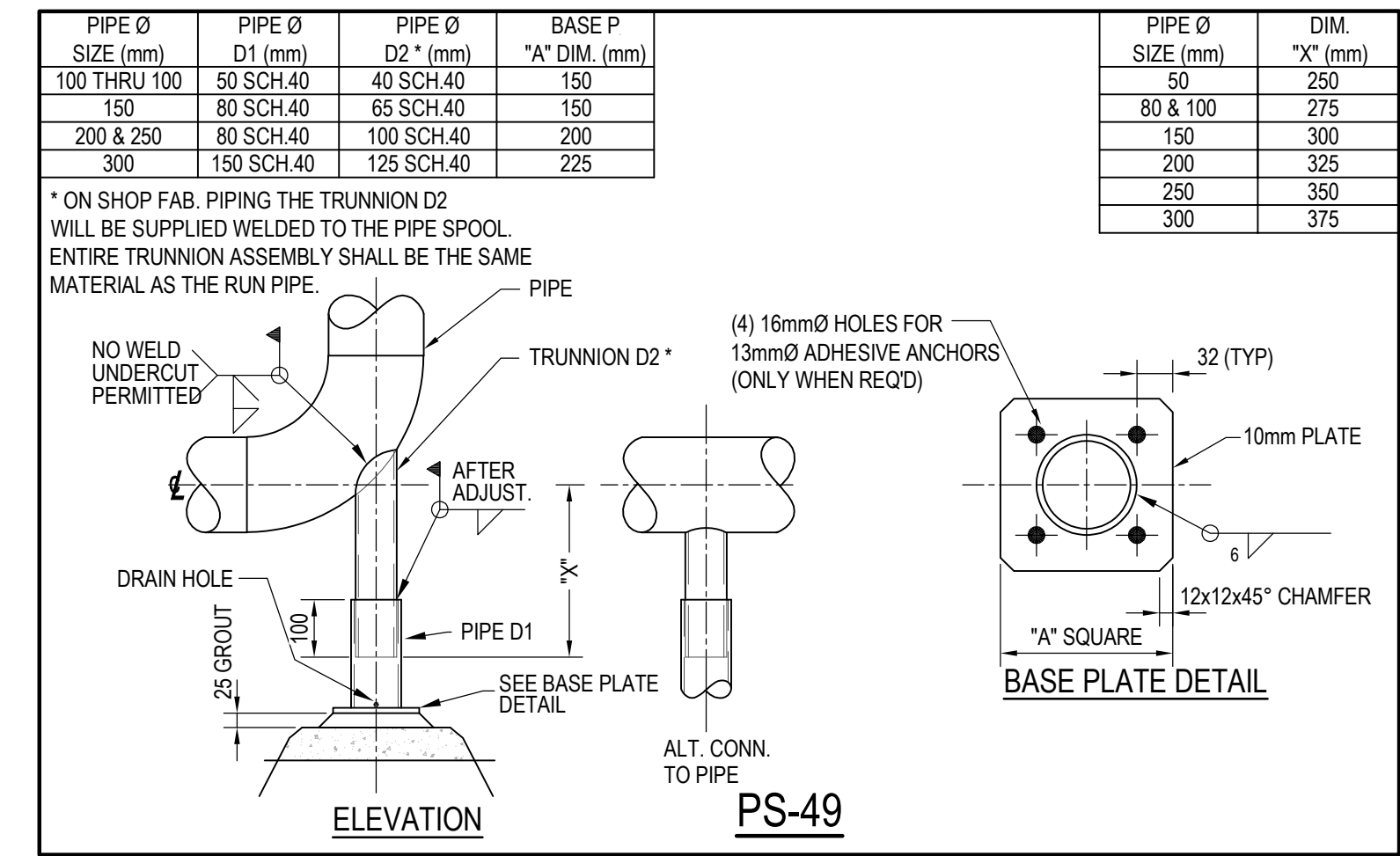
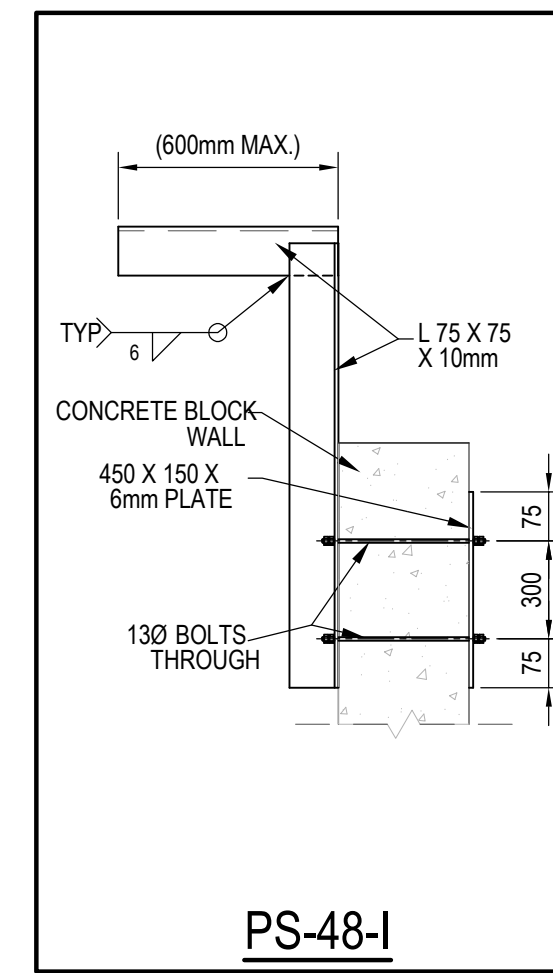
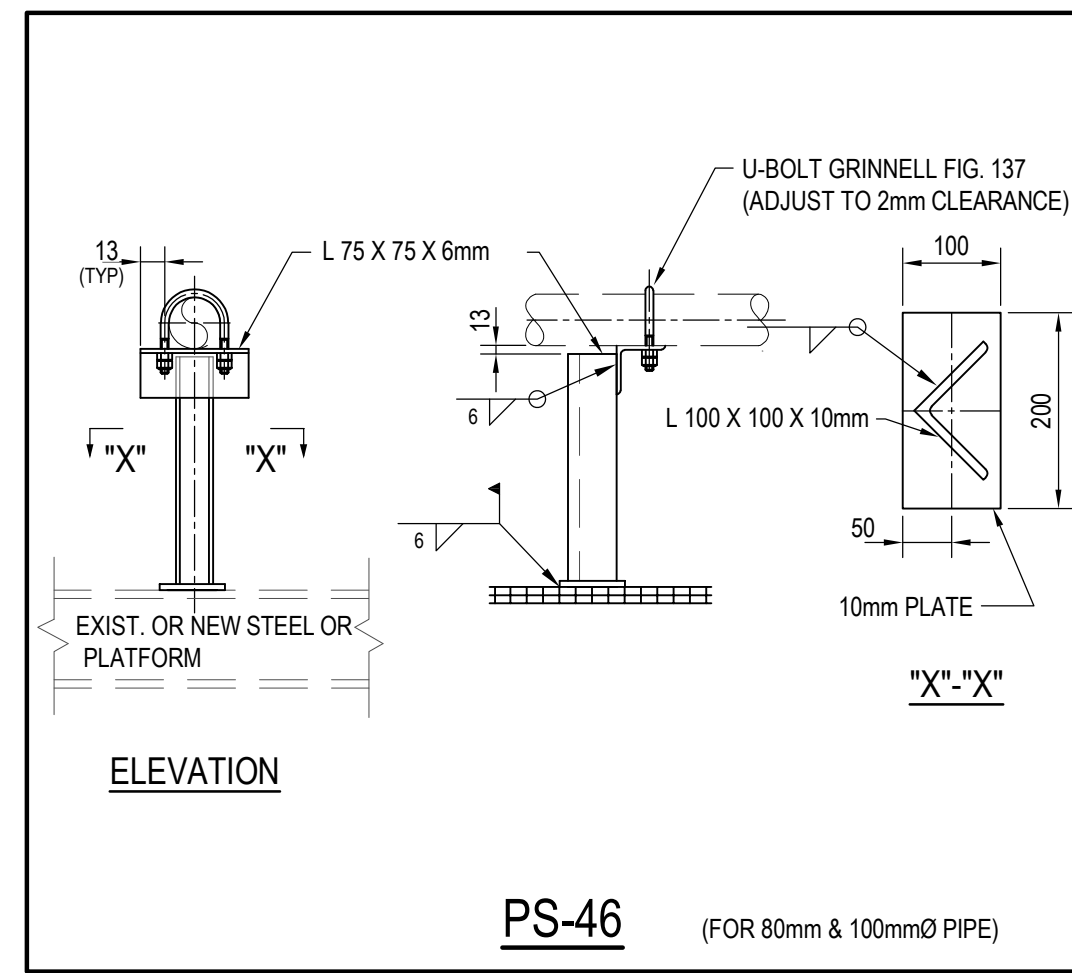
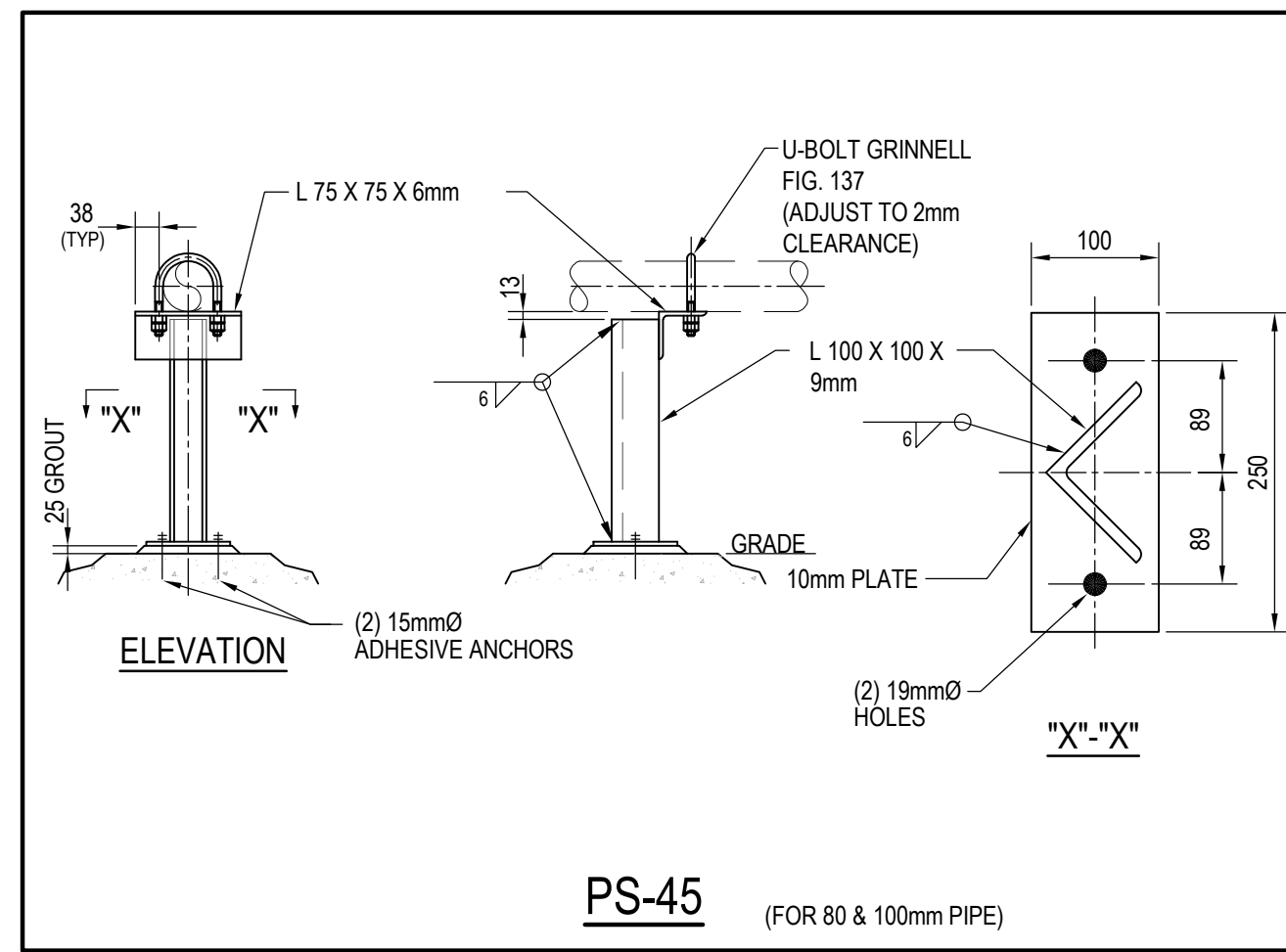
SUB-CONSULTANT:
CIM+

CLIENT:
Greater Napanee
SPECIALS FOR MANY RESIDENTS

PROJECT:
NEW NAPANEE WPCP

TITLE:
DETAILS

SCALE:	JOB NO:
AS NOTED	22001
DESIGNED BY:	DATE:
J.B.	2025/01/23
DRAWN BY:	DRAWING NO.
K.B.W.	
CHECKED BY:	
J.B.	



DATE	NO.	REVISION
2025/01/23	2	ISSUED FOR TENDER
2024/08/23	1	ISSUED FOR ECA APPROVAL

THE DRAWINGS, ARRANGEMENTS, ANNOTATIONS AND GRAPHICAL PRESENTATIONS ON THIS DOCUMENT ARE THE PROPERTY OF EVB ENGINEERING WHO RETAINS OWNERSHIP AND AUTHORITY OF THIS DOCUMENT IN ITS ENTIRETY. THIS DOCUMENT IS AN INSTRUMENT OF SERVICE AND IS THE INTELLECTUAL AND PHYSICAL PROPERTY OF EVB ENGINEERING. AUTHORIZED USE OF THIS DRAWING IS GRANTED SOLELY FOR THE PURPOSE OF THIS SPECIFIC PROJECT AND LOCATION, AND NOT FOR CONSTRUCTION OR USE FOR ANY OTHER PROJECT. COPYRIGHT © 2024 EVB ENGINEERING.



CONSULTANT:
EVB ENGINEERING
 800 SECOND STREET WEST
 CORNWALL, ONTARIO CANADA, K6J 1H6
 TEL: 613-935-3775 | FAX: 613-935-6450
 WEBSITE: EVBengineering.com

SUB-CONSULTANT:
CIMA+

CLIENT:
Greater Napanee
 SPECIAL FOR MANY REASONS

PROJECT:
NEW NAPANEE WPCP

TITLE:
DETAILS

SCALE:
 AS NOTED

JOB NO:
 22001

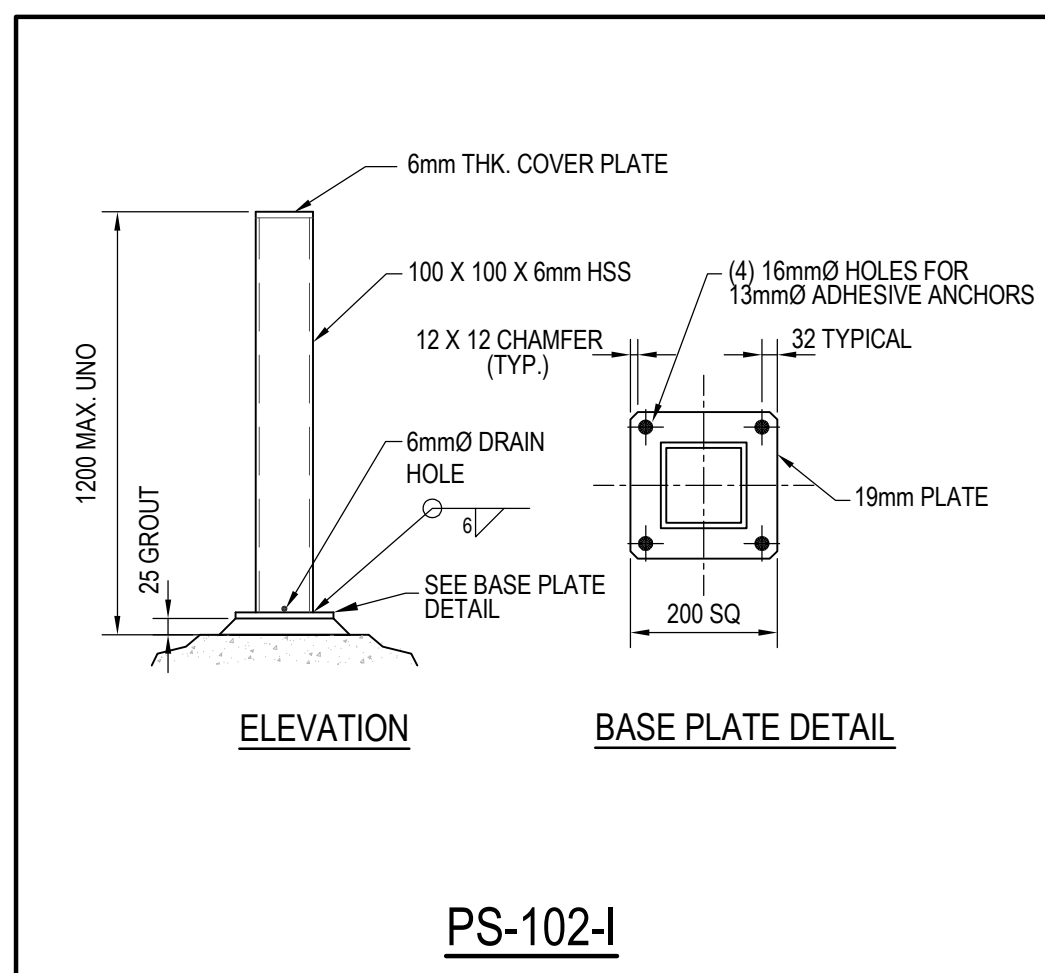
DESIGNED BY:
 J.B.

DATE:
 2025/01/23

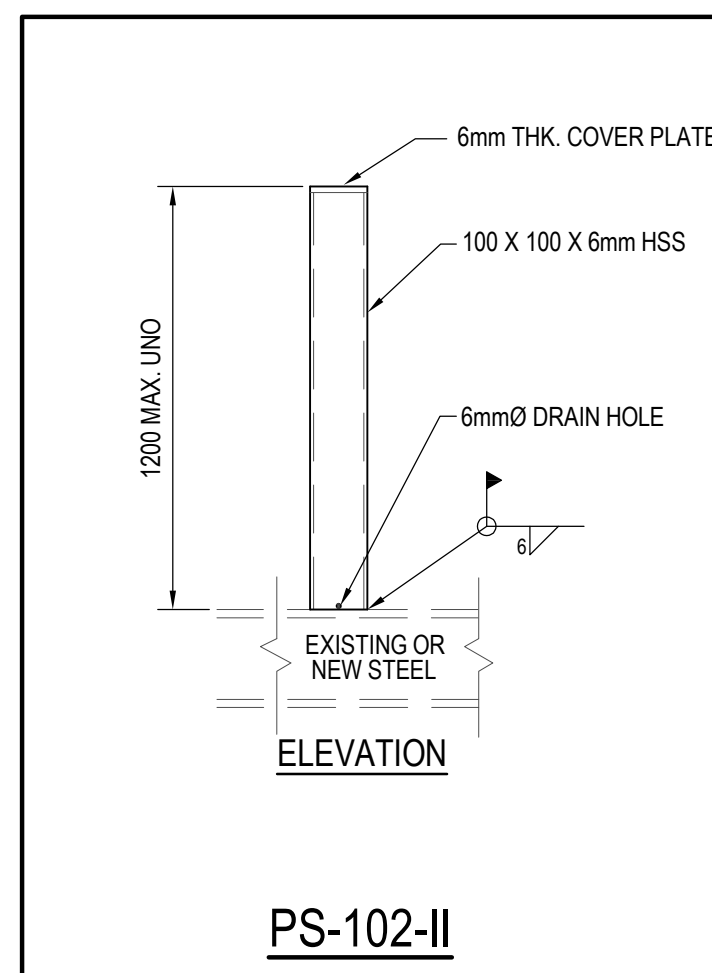
DRAWN BY:
 K.B.W.

DRAWING NO.
 P0407

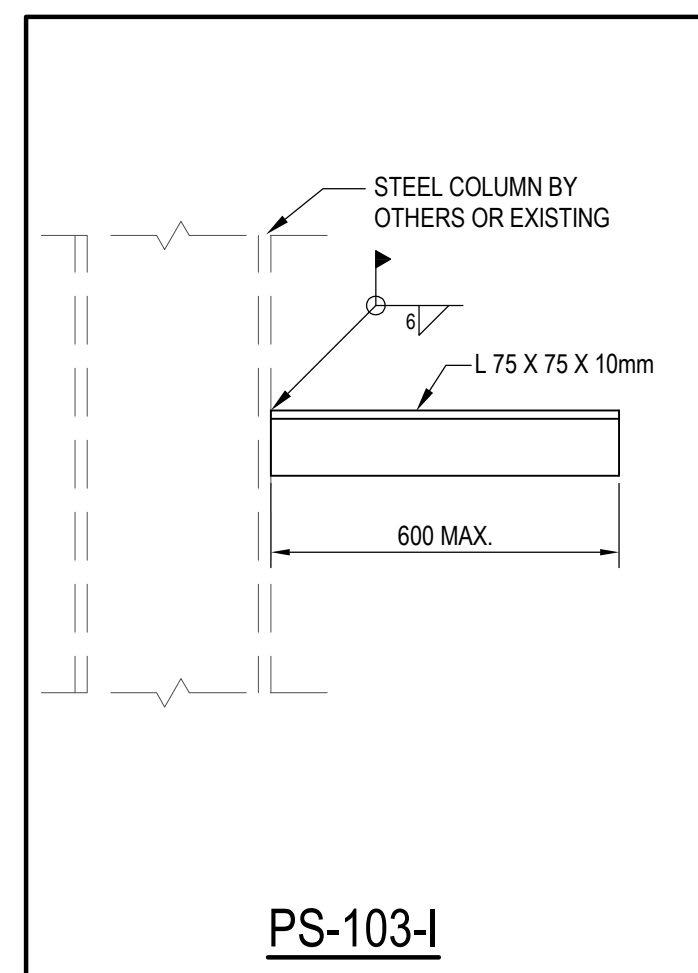
U:\2025\202501\11\11-000001\WPCP\20250123\20250123-01.dwg (P:\11\11-000001\WPCP\20250123\20250123-01.dwg)



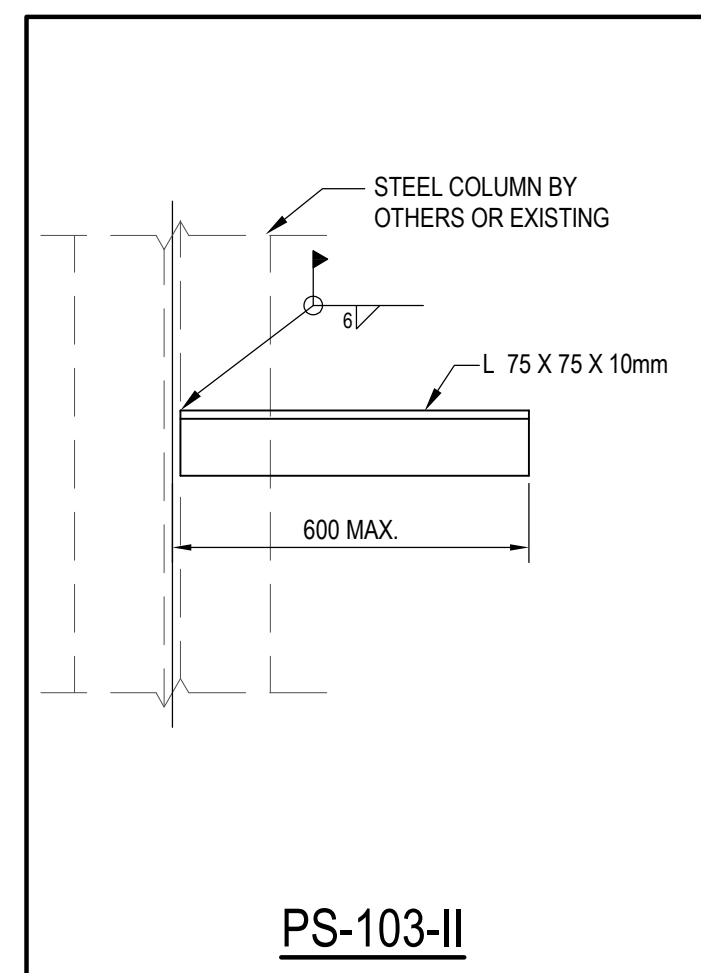
PS-102-I



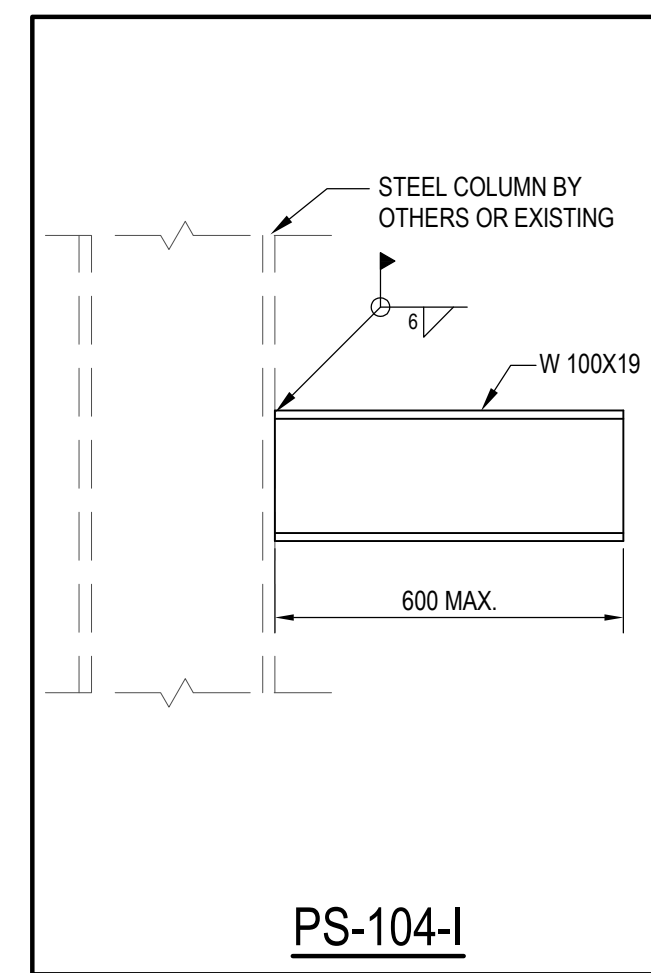
PS-102-II



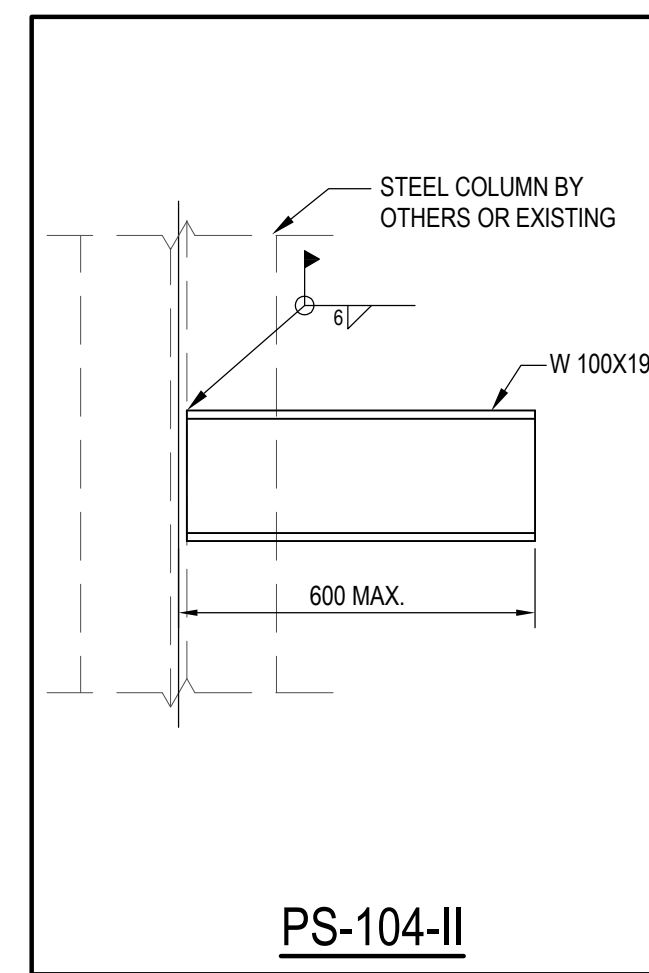
PS-103-I



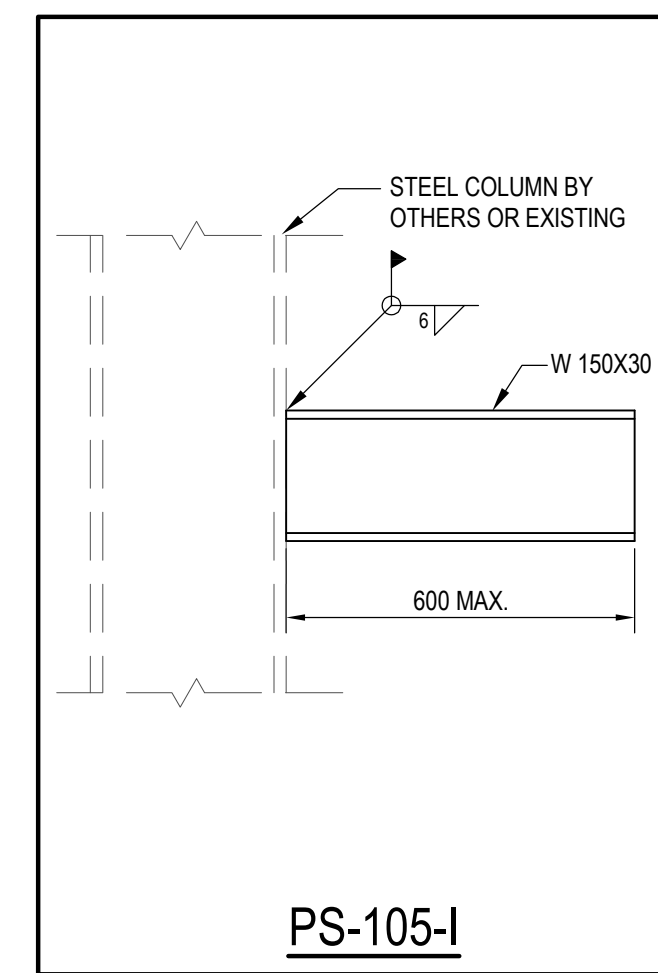
PS-103-II



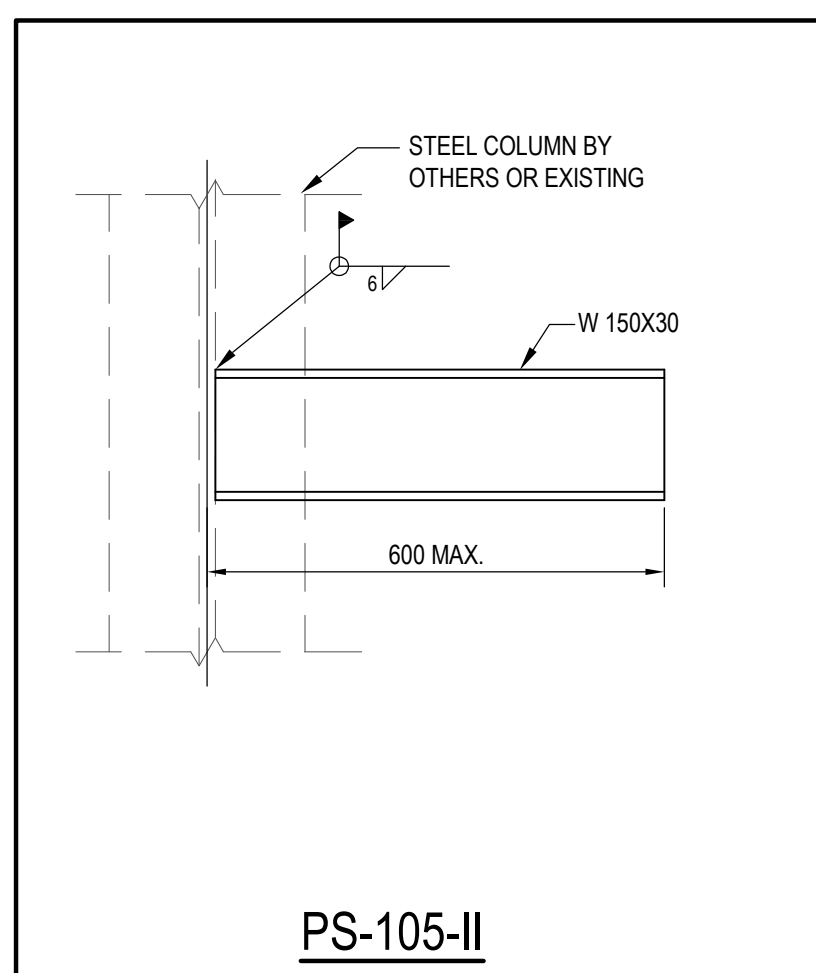
PS-104-I



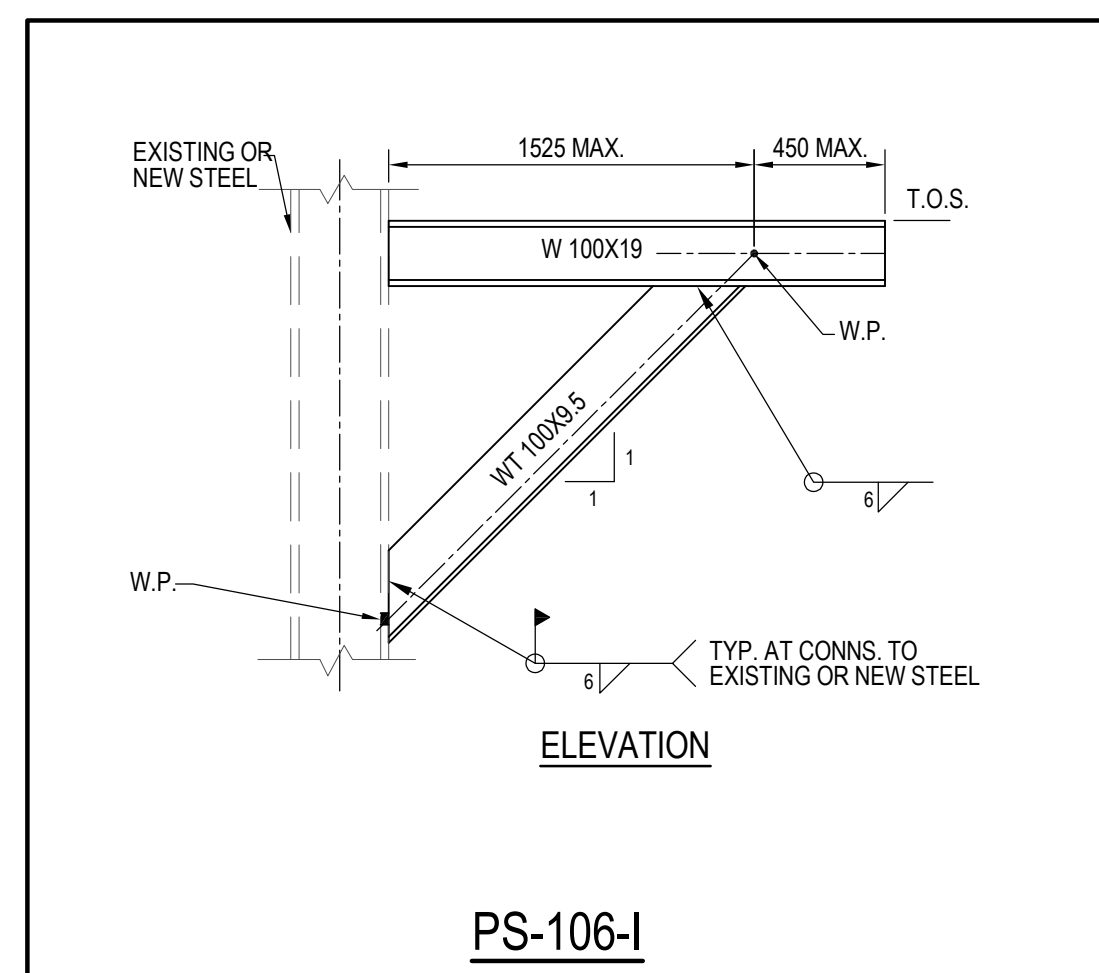
PS-104-II



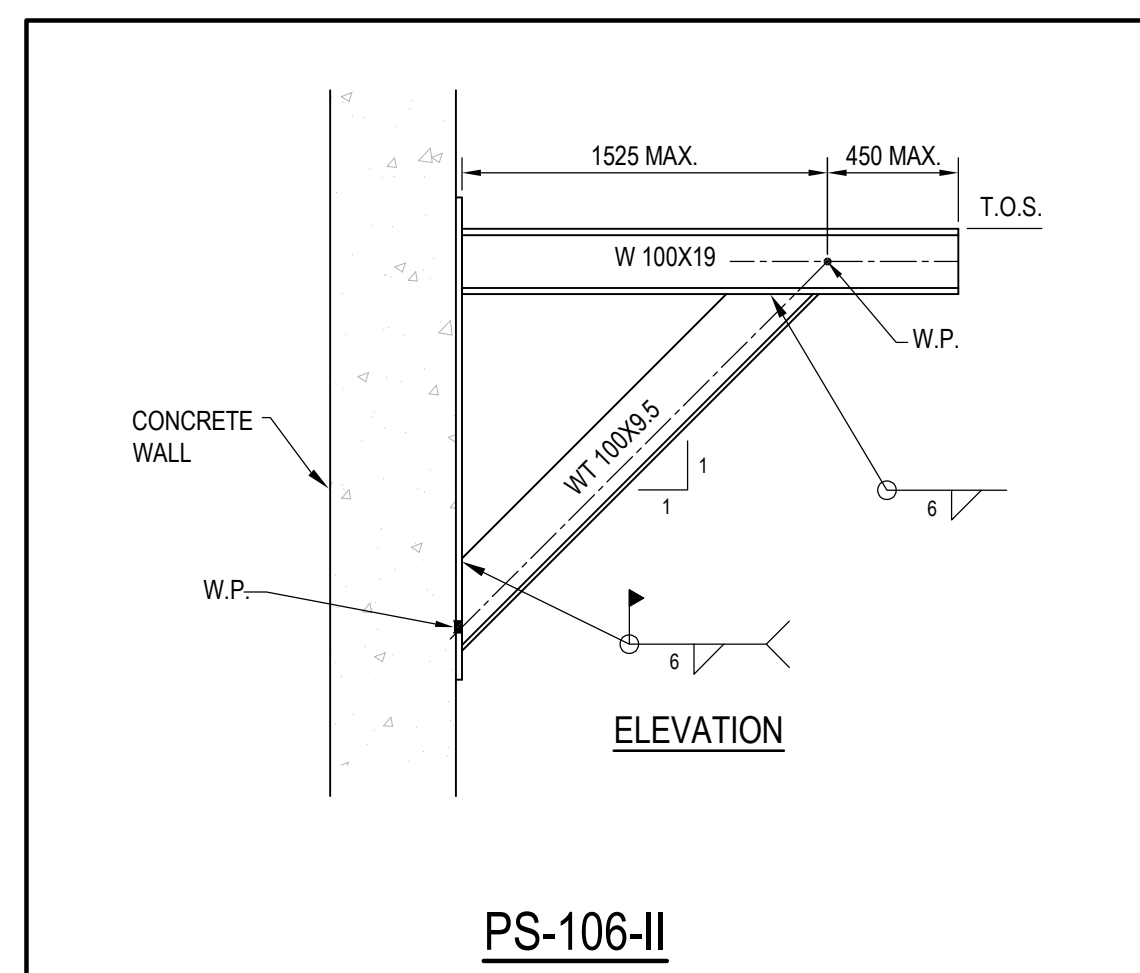
PS-105-I



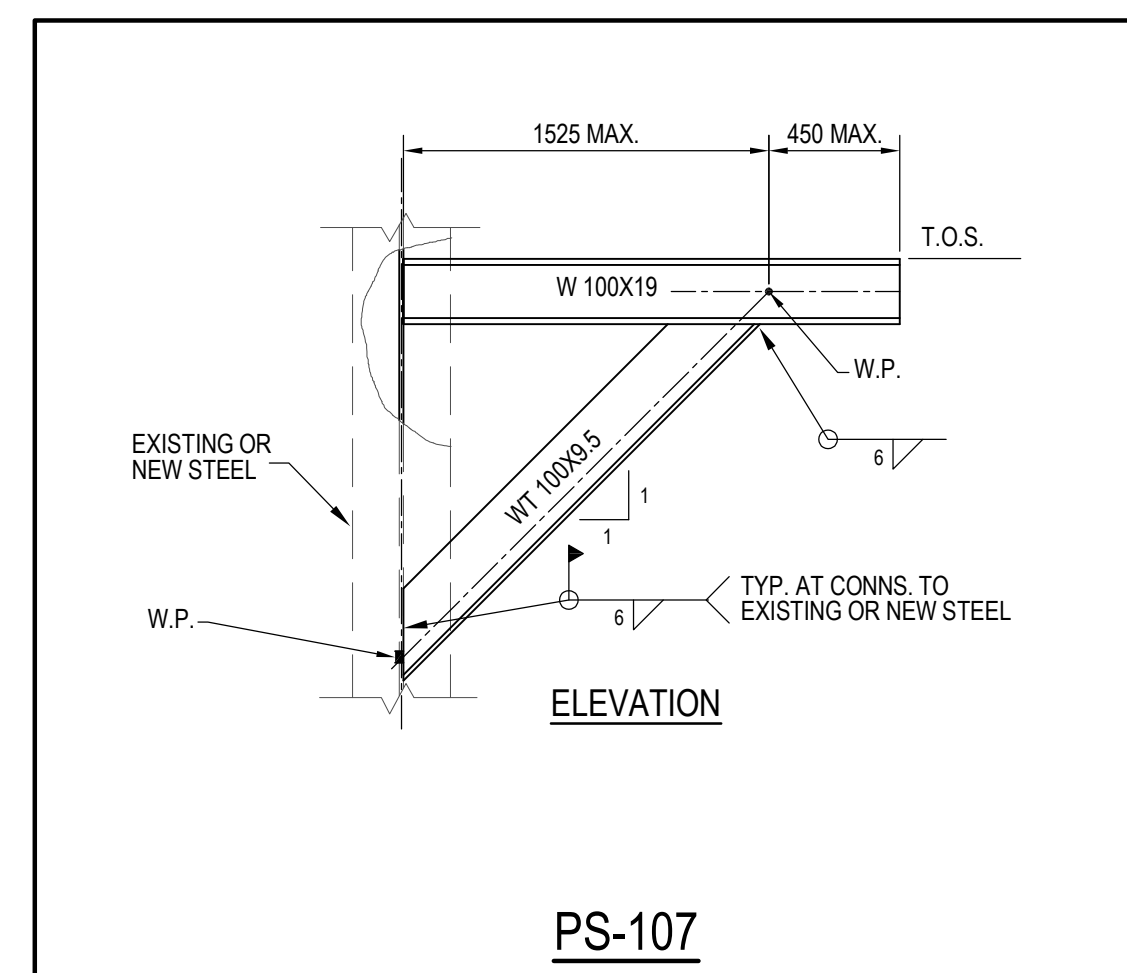
PS-105-II



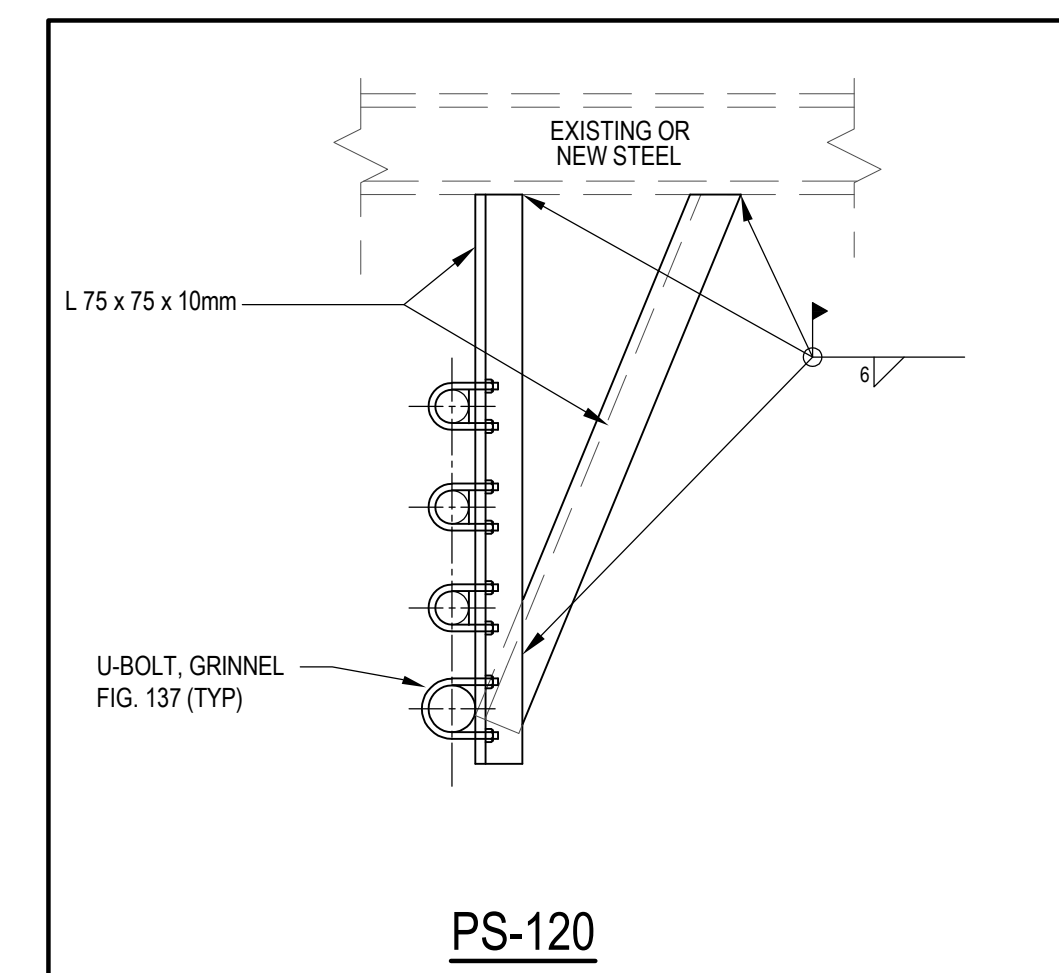
PS-106-I



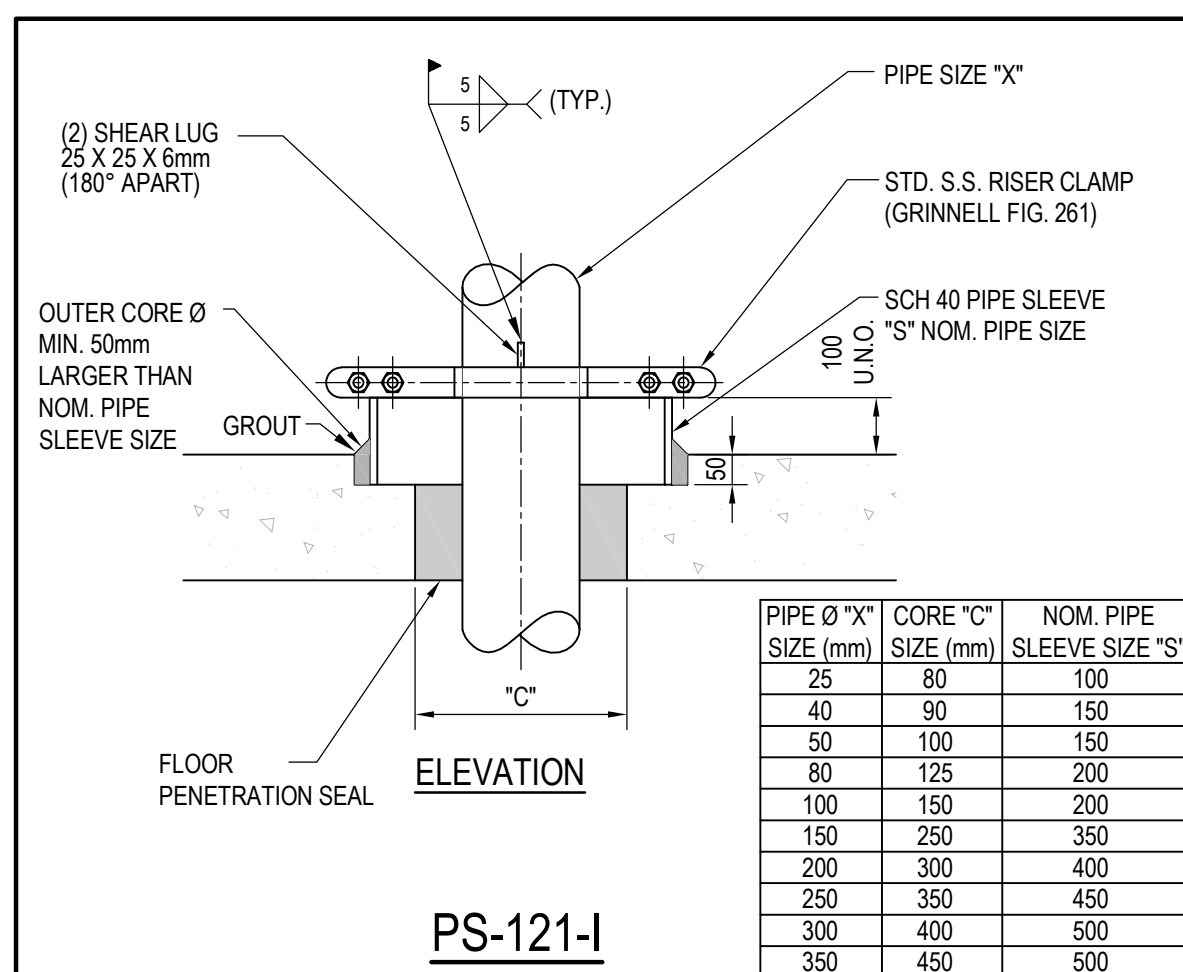
PS-106-II



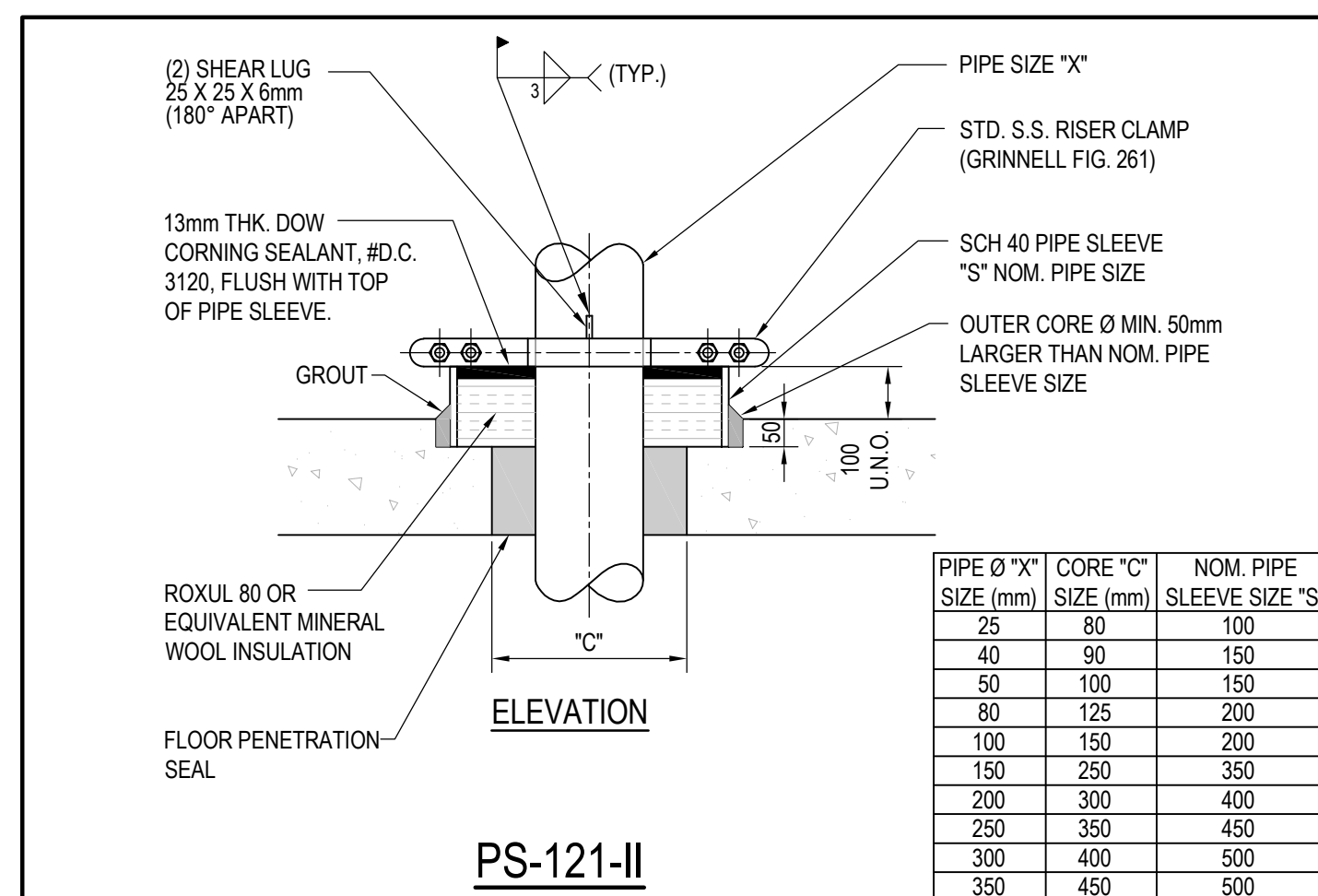
PS-107



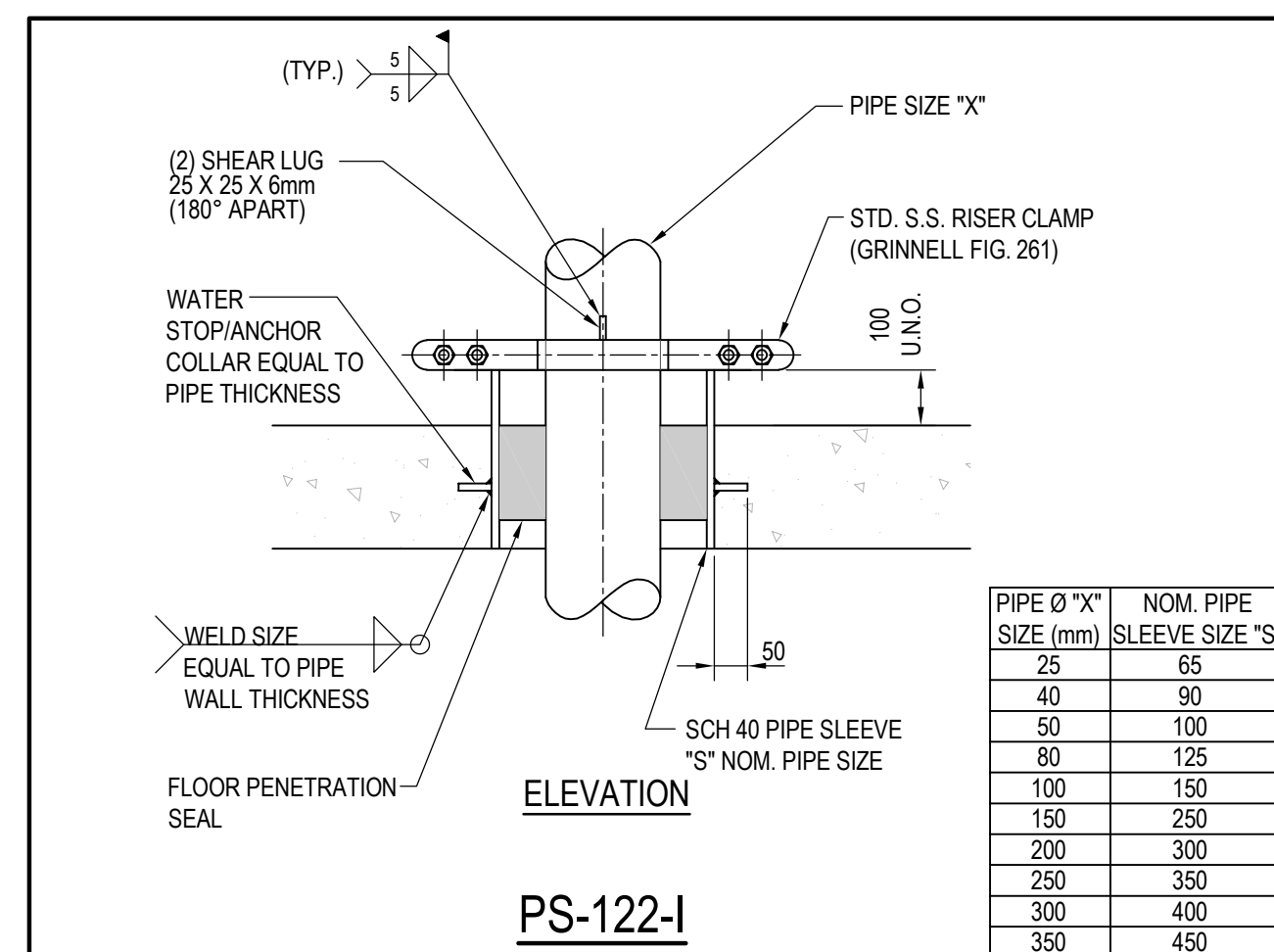
PS-120



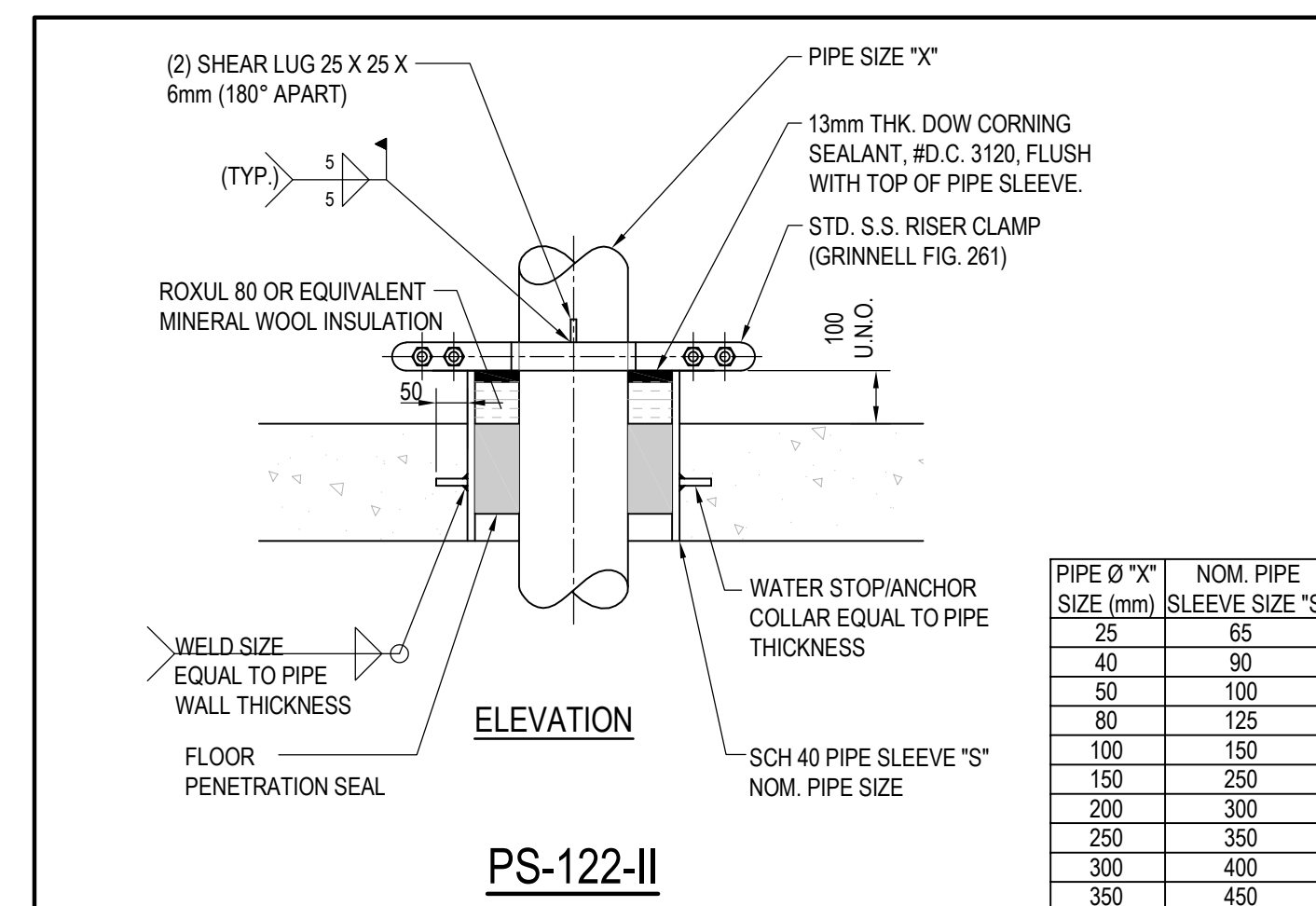
PS-121-I



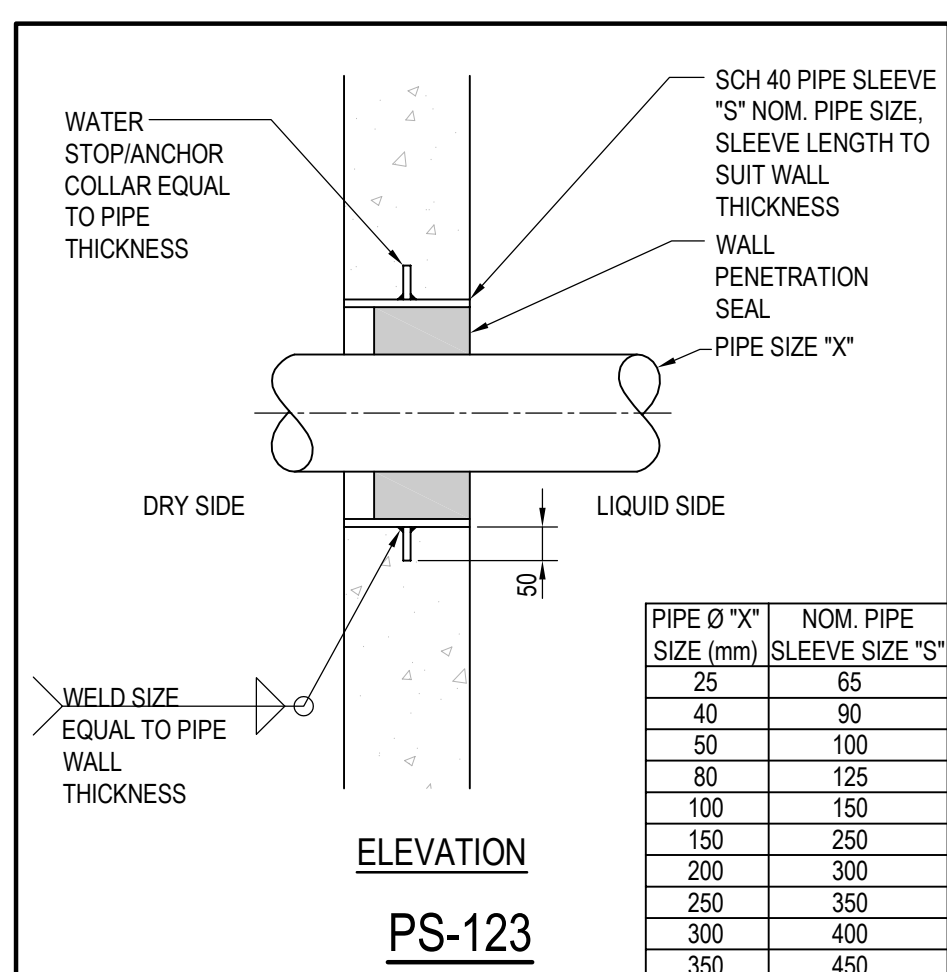
PS-121-II



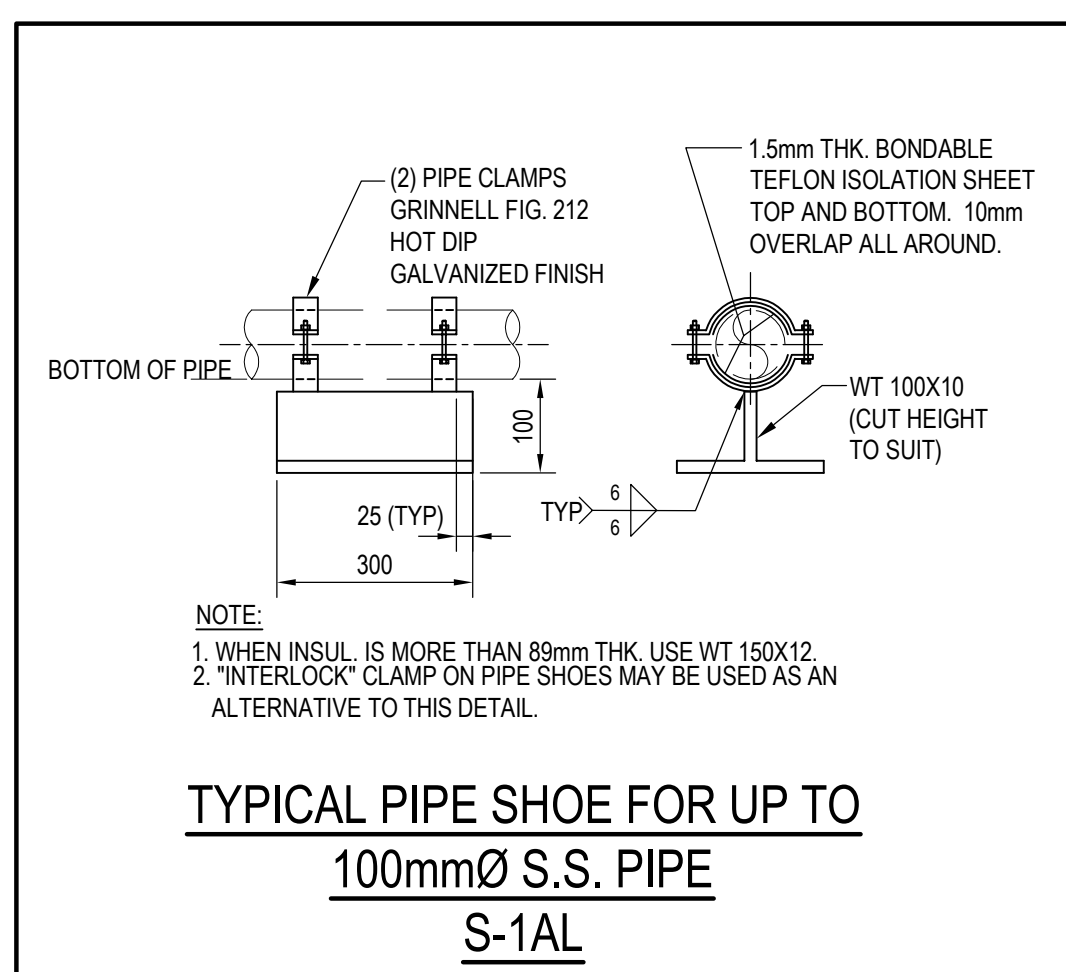
PS-122-I



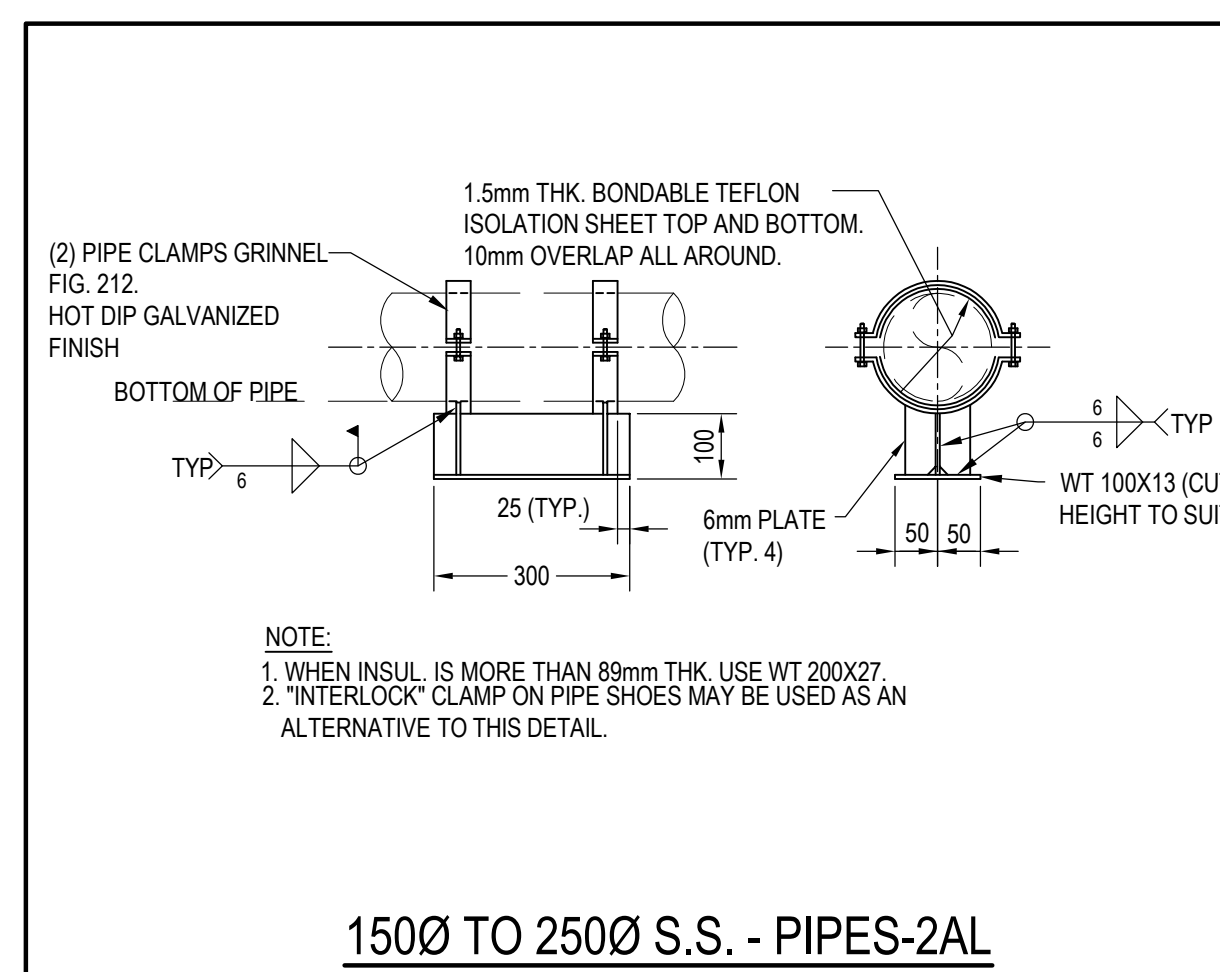
PS-122-II



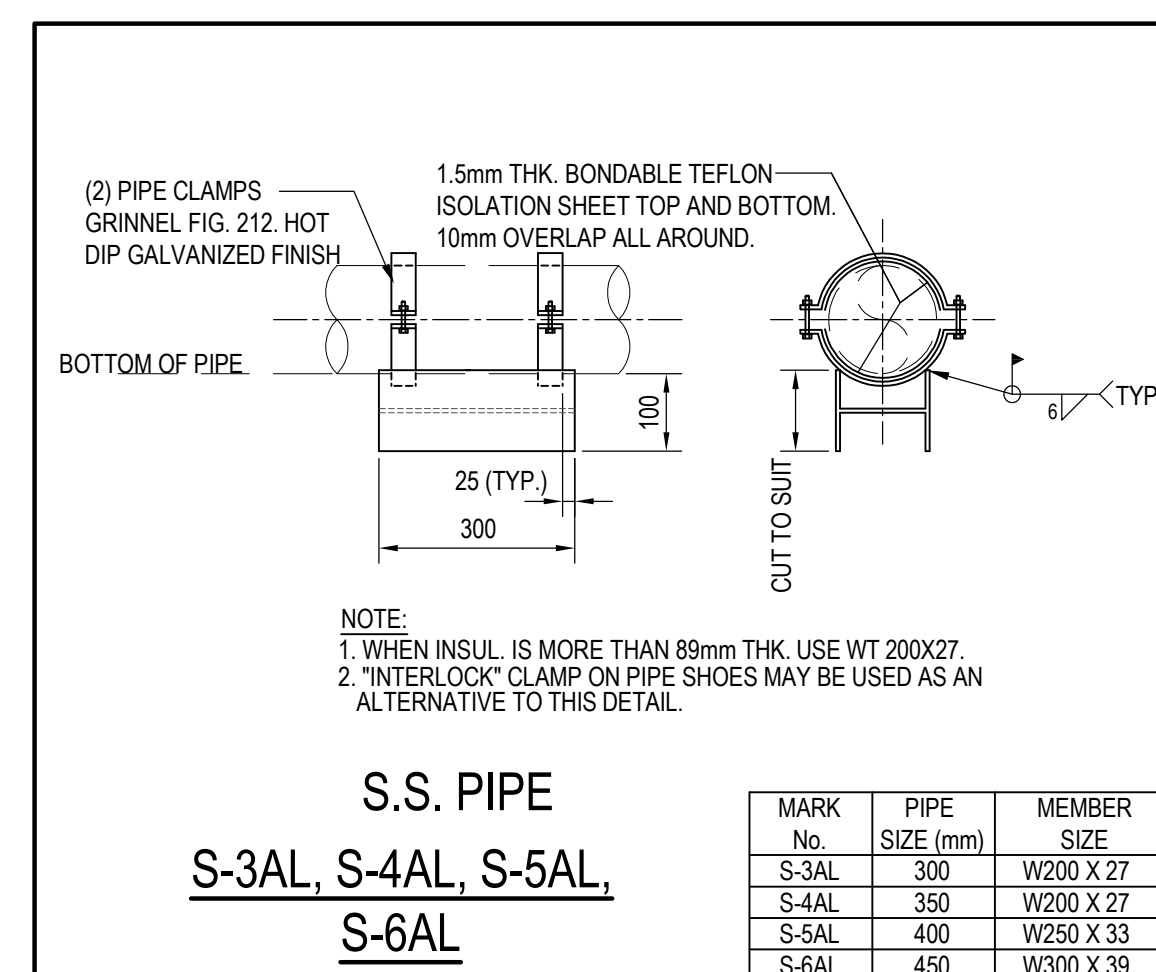
PS-123



TYPICAL PIPE SHOE FOR UP TO 100mmØ S.S. PIPE S-1AL



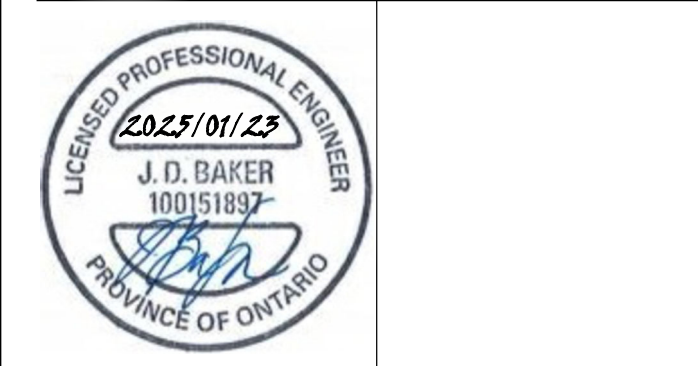
150Ø TO 250Ø S.S. - PIPES-2AL



S.S. PIPE S-3AL, S-4AL, S-5AL, S-6AL

DATE	No.	REVISION
2025/01/23	2	ISSUED FOR TENDER
2024/08/23	1	ISSUED FOR ECA APPROVAL

THE DRAWINGS, ARRANGEMENTS, ANNOTATIONS AND GRAPHICAL PRESENTATIONS ON THIS DOCUMENT ARE THE PROPERTY OF EVB ENGINEERING WHO RETAINS OWNERSHIP AND AUTHORSHIP OF THIS DOCUMENT IN ITS ENTIRETY. THIS DOCUMENT IS AN INSTRUMENT OF SERVICE AND IS THE INTELLECTUAL AND PHYSICAL PROPERTY OF EVB ENGINEERING. AUTHORIZED USE OF THIS DRAWING IS GRANTED SOLELY FOR THE PURPOSE OF THIS SPECIFIC PROJECT AND LOCATION, AND NOT FOR CONSTRUCTION OR USE FOR ANY OTHER PROJECT. COPYRIGHT © 2024 EVB ENGINEERING.



CONSULTANT:
EVB ENGINEERING
 800 SECOND STREET WEST
 CORNWALL, ONTARIO CANADA, K6J 1H6
 TEL: 613-935-3775 | FAX: 613-935-6450
 WEBSITE: EVBengineering.com

SUB-CONSULTANT:



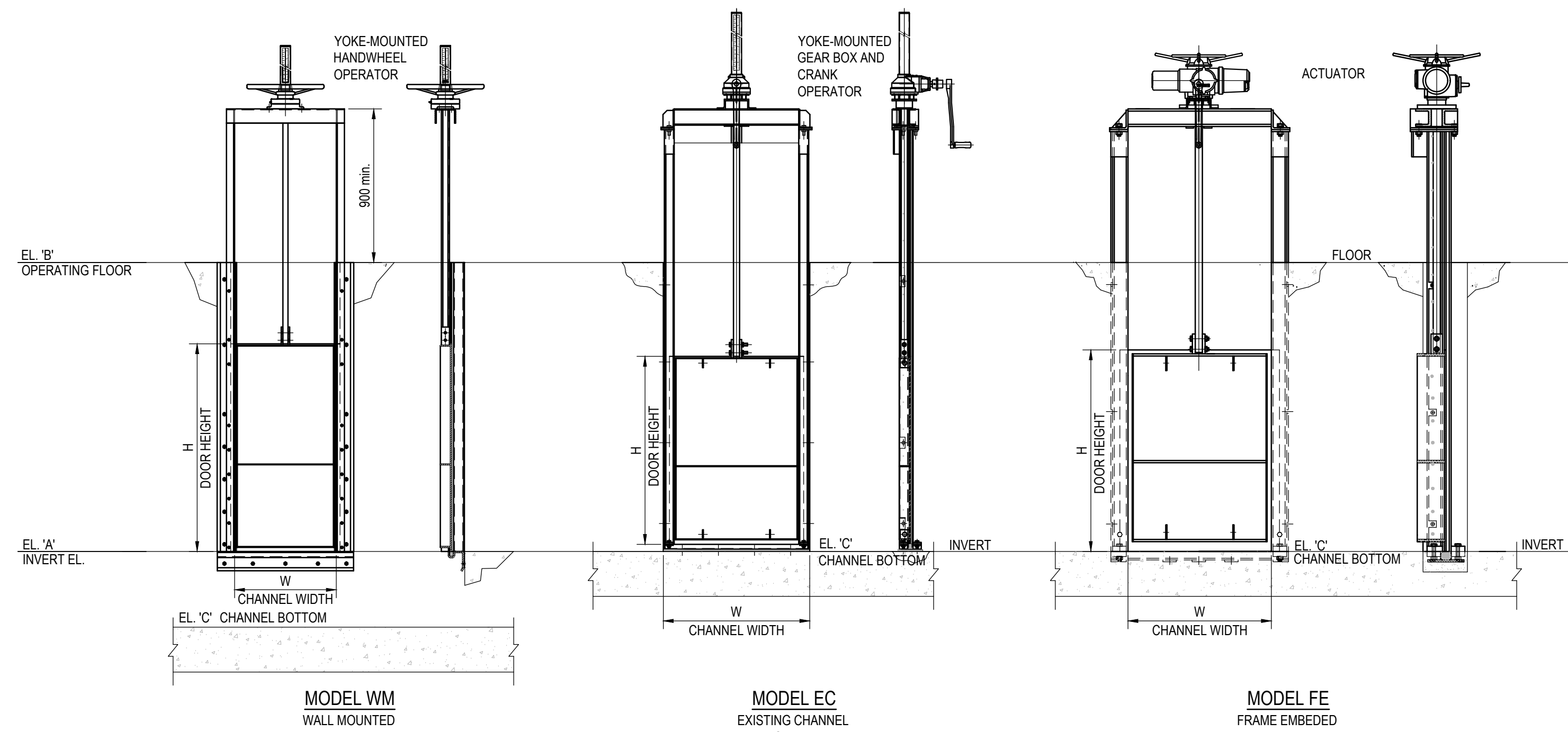
CLIENT:
Greater Napanee
 SPECIAL FOR MANY RESIDENTS

PROJECT:
NEW NAPANEE WPCP

TITLE:
DETAILS

SCALE:	JOB NO:
AS NOTED	22001
DESIGNED BY:	DATE:
J.B.	2025/01/23
DRAWN BY:	DRAWING NO.:
K.B.W.	P0408
CHECKED BY:	
J.B.	

I:\2025\2025-01-23\New Napanee WPCP\Drawings\Details\PS-102-I.dwg (J.D. Baker) 2025-01-23 10:00:00 AM

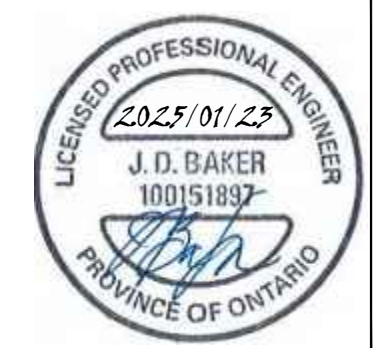


CHANNEL GATES

GATE TAG NUMBER	GATE TYPE	W (mm)	H (mm)	EL. A (m) INVERT	EL. B (m) FLOOR	EL. C (m) CH. BOTTOM	STEM CONFIG.	ACTUATION TYPE	REMARKS	LOCATION
1010	CHANNEL	750	1500	79.4	80.9	79.4	RISING	YOKE MOUNTED GEAR BOX AND CRANK OPERATOR	-REFER TO SPECIFICATION 44 04 50 -MODEL FE	HEADWORKS, AREA 1000, P0003
1011	CHANNEL	750	1500	79.4	80.9	79.4	RISING	YOKE MOUNTED GEAR BOX AND CRANK OPERATOR	-REFER TO SPECIFICATION 44 04 50 -MODEL FE	HEADWORKS, AREA 1000, P0003
1012	CHANNEL	750	1500	79.4	80.9	79.4	RISING	YOKE MOUNTED GEAR BOX AND CRANK OPERATOR	-REFER TO SPECIFICATION 44 04 50 -MODEL FE	HEADWORKS, AREA 1000, P0003
1013	CHANNEL	750	1500	79.4	80.9	79.4	RISING	YOKE MOUNTED GEAR BOX AND CRANK OPERATOR	-REFER TO SPECIFICATION 44 04 50 -MODEL FE	HEADWORKS, AREA 1000, P0003
1045	CHANNEL	1050	1500	79.4	80.9	79.4	RISING	YOKE MOUNTED GEAR BOX AND CRANK OPERATOR	-REFER TO SPECIFICATION 44 04 50 -MODEL FE	HEADWORKS, AREA 1000, P0004
1046	CHANNEL	750	1500	79.4	80.9	79.4	RISING	YOKE MOUNTED GEAR BOX AND CRANK OPERATOR	-REFER TO SPECIFICATION 44 04 50 -MODEL FE	HEADWORKS, AREA 1000, P0004
1054	CHANNEL	1050	1500	79.4	80.9	79.4	RISING	YOKE MOUNTED GEAR BOX AND CRANK OPERATOR	-REFER TO SPECIFICATION 44 04 50 -MODEL FE	HEADWORKS, AREA 1000, P0004
1071	CHANNEL	1000	1000	79	80.9	79	RISING	YOKE MOUNTED GEAR BOX AND CRANK OPERATOR	-REFER TO SPECIFICATION 44 04 50 -MODEL FE	HEADWORKS, AREA 1000, P0004
1072	CHANNEL	1000	1000	79	80.9	79	RISING	YOKE MOUNTED GEAR BOX AND CRANK OPERATOR	-REFER TO SPECIFICATION 44 04 50 -MODEL FE	HEADWORKS, AREA 1000, P0004
1073	CHANNEL	600	600	72.55	83.75	72.4	RISING	YOKE MOUNTED GEAR BOX AND CRANK OPERATOR	-REFER TO SPECIFICATION 44 04 50 -MODEL EC	HEADWORKS, AREA 1000, P0004
2075	STOP PLATE	760	1800	81.95	83.75	81.95	NA	EMBEDDED HANDLES	-REFER TO SPECIFICATION 44 10 04 -MODEL FE	AGS, AREA 2000, P0005
2076	STOP PLATE	760	1800	81.95	83.75	81.95	NA	EMBEDDED HANDLES	-REFER TO SPECIFICATION 44 10 04 -MODEL FE	AGS, AREA 2000, P0005
4071	CHANNEL	1200	1200	75.605	78.018	75.605	RISING	MOTORIZED (ELECTRIC)	-REFER TO SPECIFICATION 44 04 50 -MODEL FE	TERTIARY TREATMENT, AREA 4000, P0009
4072	CHANNEL	1200	1200	75.605	78.018	75.605	RISING	MOTORIZED (ELECTRIC)	-REFER TO SPECIFICATION 44 04 50 -MODEL FE	TERTIARY TREATMENT, AREA 4000, P0009
4073	STOP PLATE	1200	1200	75.605	78.018	75.605	NA	EMBEDDED HANDLES	-REFER TO SPECIFICATION 44 10 04 -MODEL FE	TERTIARY TREATMENT, AREA 4000, P0009

DATE	No.	REVISION
2025/01/23	2	ISSUED FOR TENDER
2024/08/23	1	ISSUED FOR ECA APPROVAL

THE DRAWINGS, ARRANGEMENTS, ANNOTATIONS AND GRAPHICAL PRESENTATIONS ON THIS DOCUMENT ARE THE PROPERTY OF EVB ENGINEERING WHO RETAINS OWNERSHIP AND AUTHORSHIP OF THIS DOCUMENT IN ITS ENTIRETY. THIS DOCUMENT IS AN INSTRUMENT OF SERVICE AND IS THE INTELLECTUAL AND PHYSICAL PROPERTY OF EVB ENGINEERING. AUTHORIZED USE OF THIS DRAWING IS GRANTED SOLELY FOR THE PURPOSE OF THIS SPECIFIC PROJECT AND LOCATION, AND NOT FOR CONSTRUCTION OR USE FOR ANY OTHER PROJECT. COPYRIGHT © 2024 EVB ENGINEERING.



CONSULTANT:

EVB ENGINEERING
 800 SECOND STREET WEST
 CORNWALL, ONTARIO CANADA, K6J 1H6
 TEL: 613-935-3775 | FAX: 613-935-6450
 WEBSITE: EVBengineering.com

SUB-CONSULTANT:

CIM+

CLIENT:

Greater Napanee
 SERVICES FOR MANY RESIDENTS

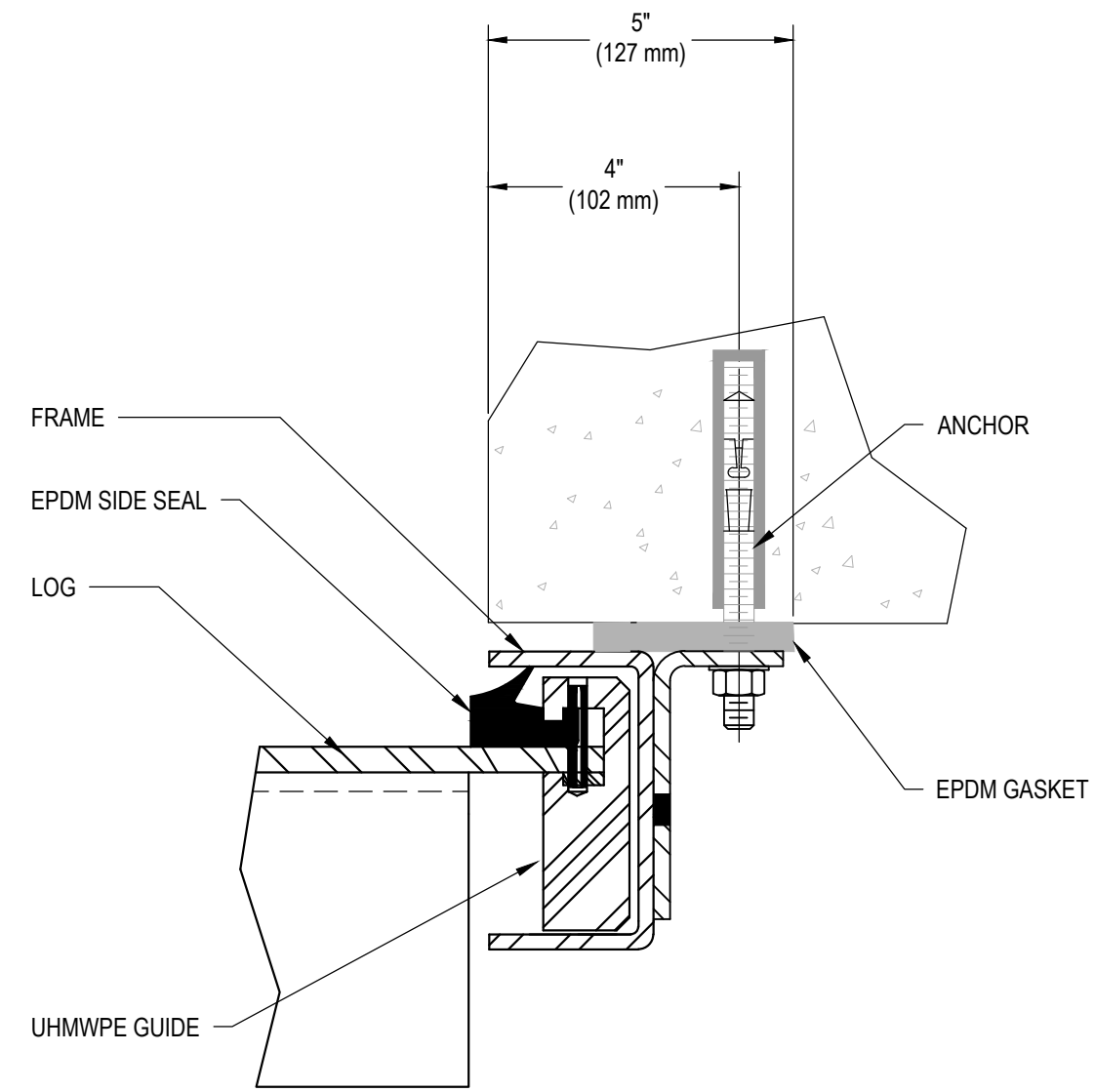
PROJECT:
NEW NAPANEE WPCP

TITLE:
**PROCESS DETAILS
 CHANNEL GATES & WEIR
 GATES**

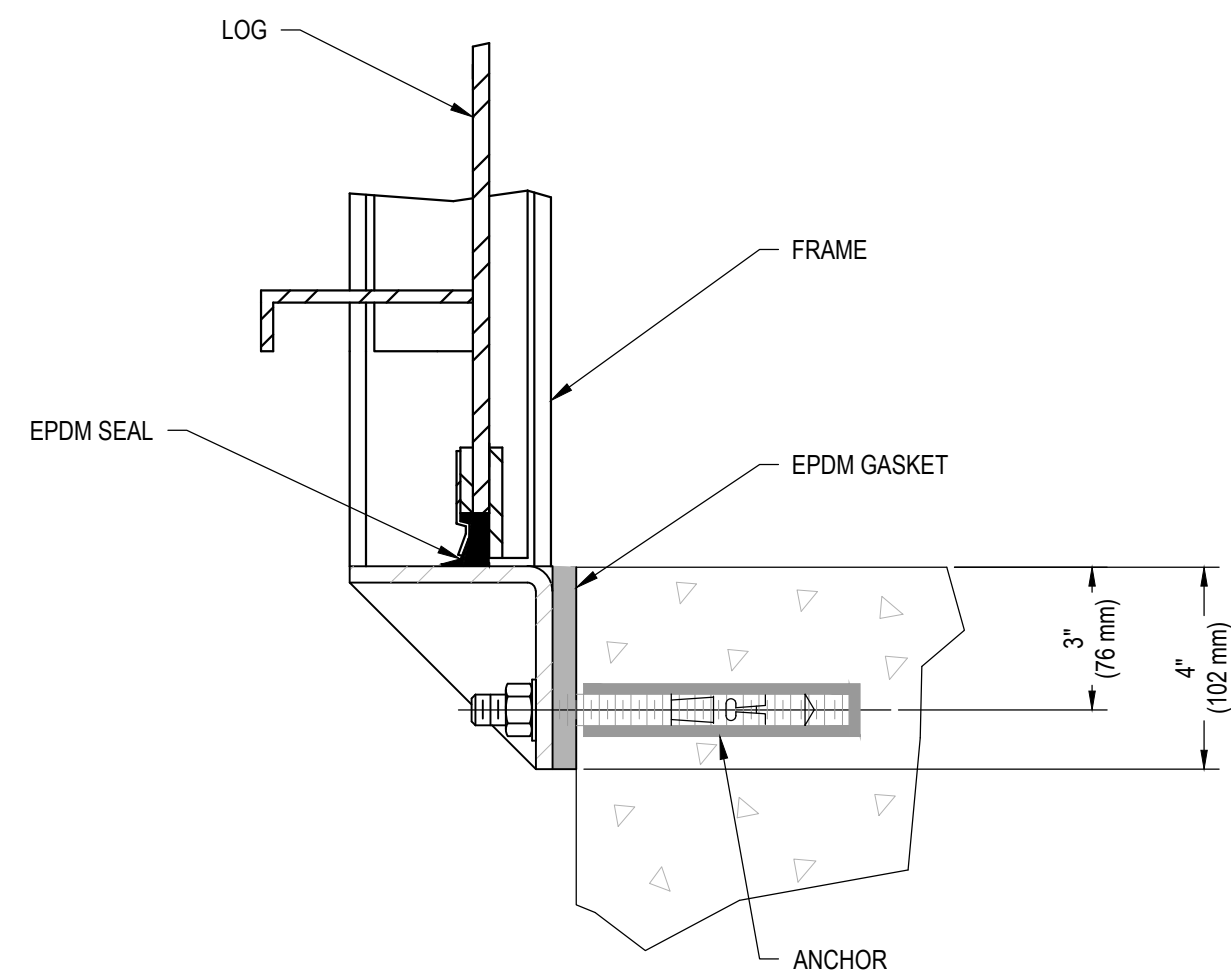
SCALE: N.T.S.	JOB NO: 22001
DESIGNED BY: J.B.	DATE: 2025/01/23
DRAWN BY: K.B.W.	DRAWING NO. P0410
CHECKED BY: J.B.	

M:\2025\202501 - Napanee WPCP Upgrade\01 - Design\WPCP\06 - Process\03 - Details\2025\01\04\04\11.dwg, Jan 23, 2025, 10:53pm, BY: (User: jba)

TYPE - WM
Wall Mounted Details

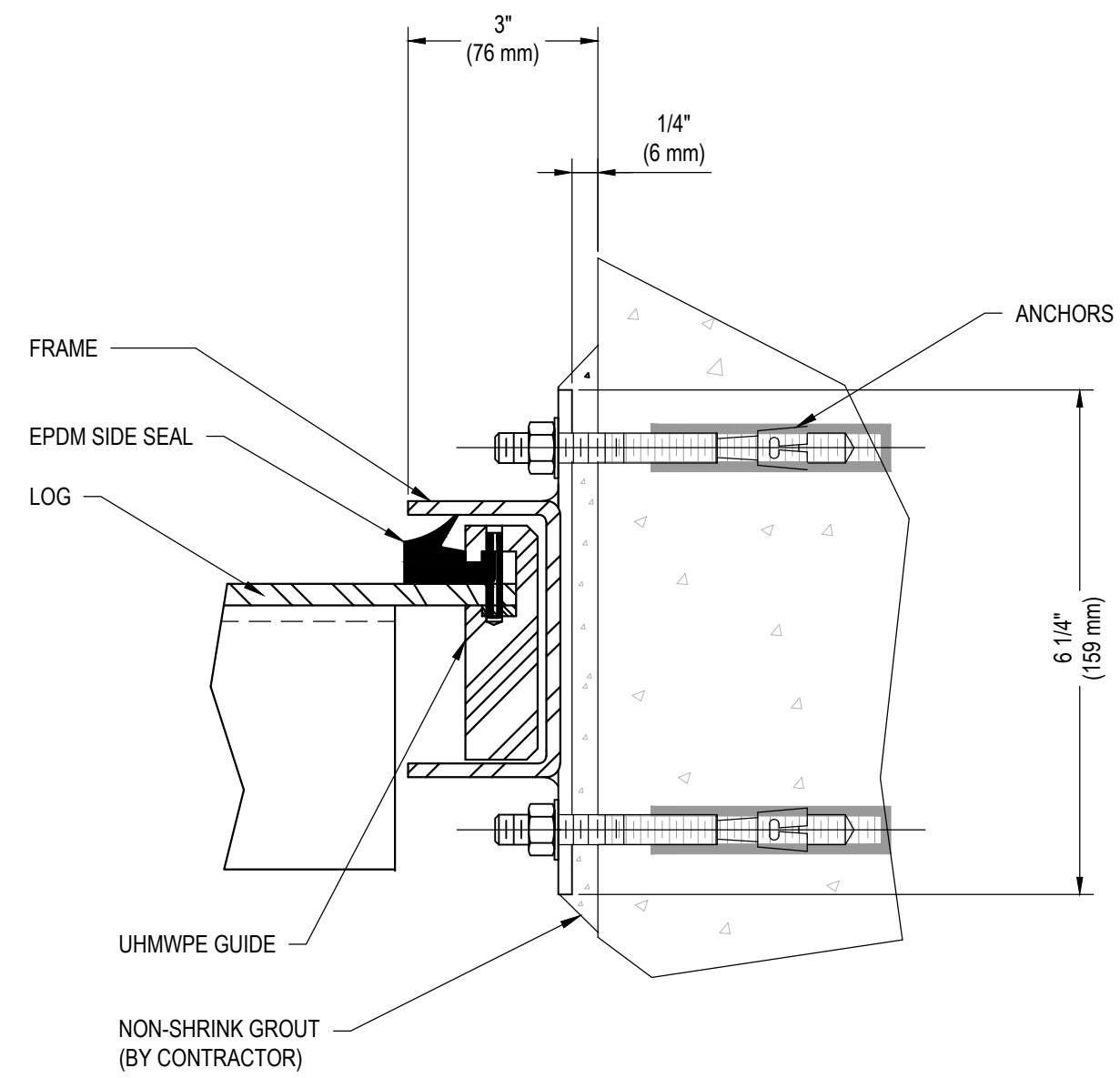


SIDE SEAL SECTION

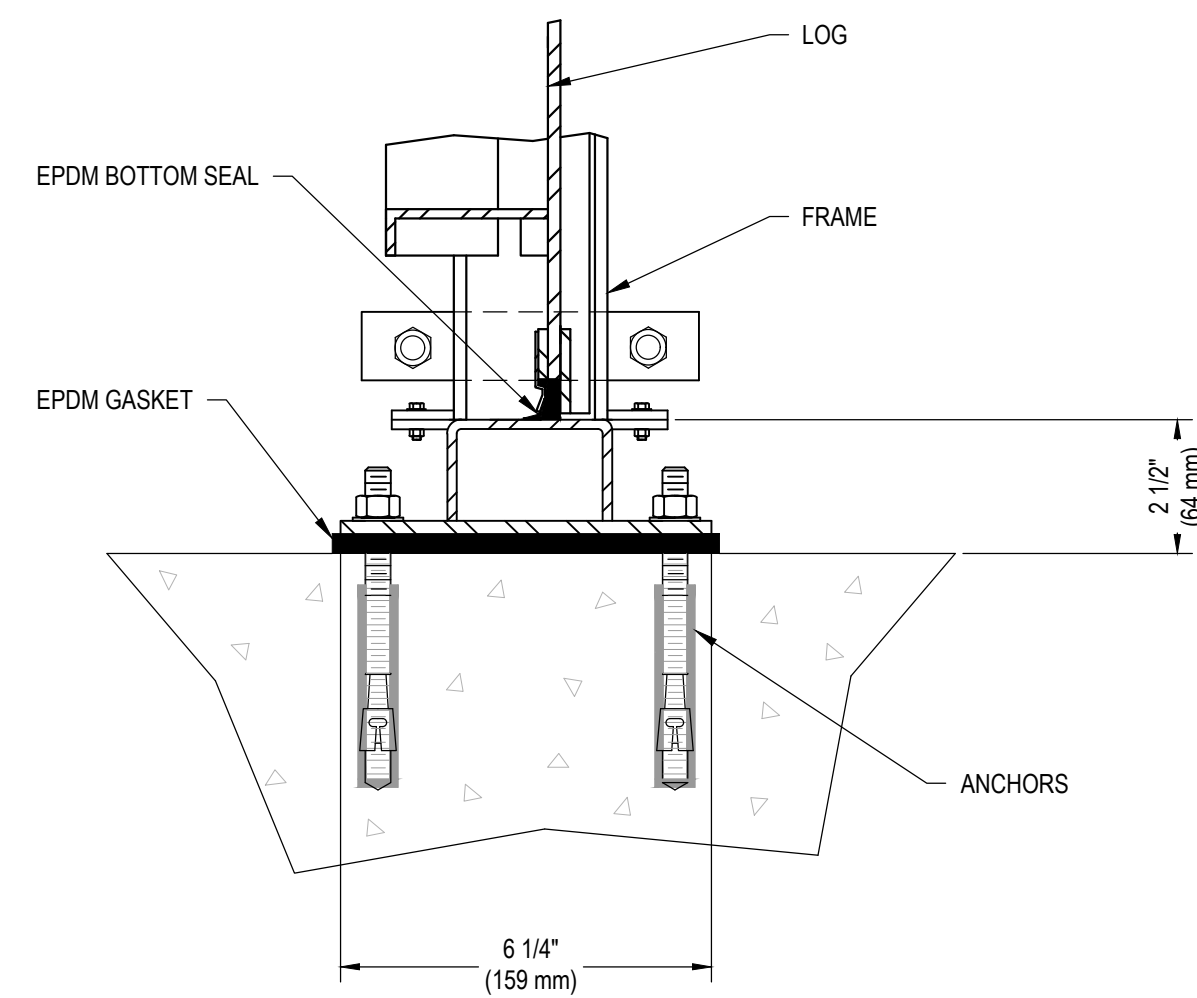


BOTTOM SEAL SECTION

TYPE - EC
Inside an Existing Channel Details

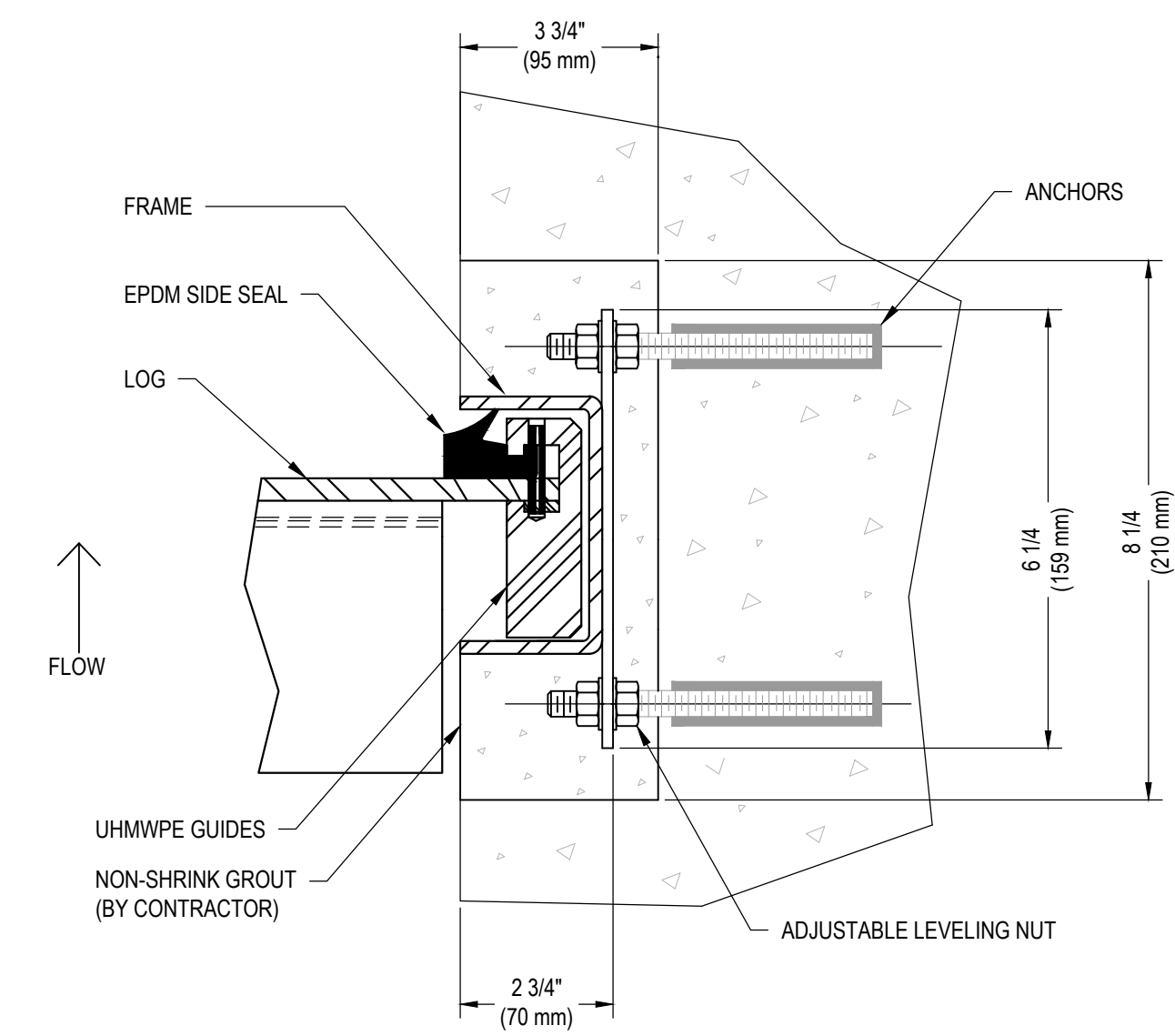


SIDE SEAL SECTION

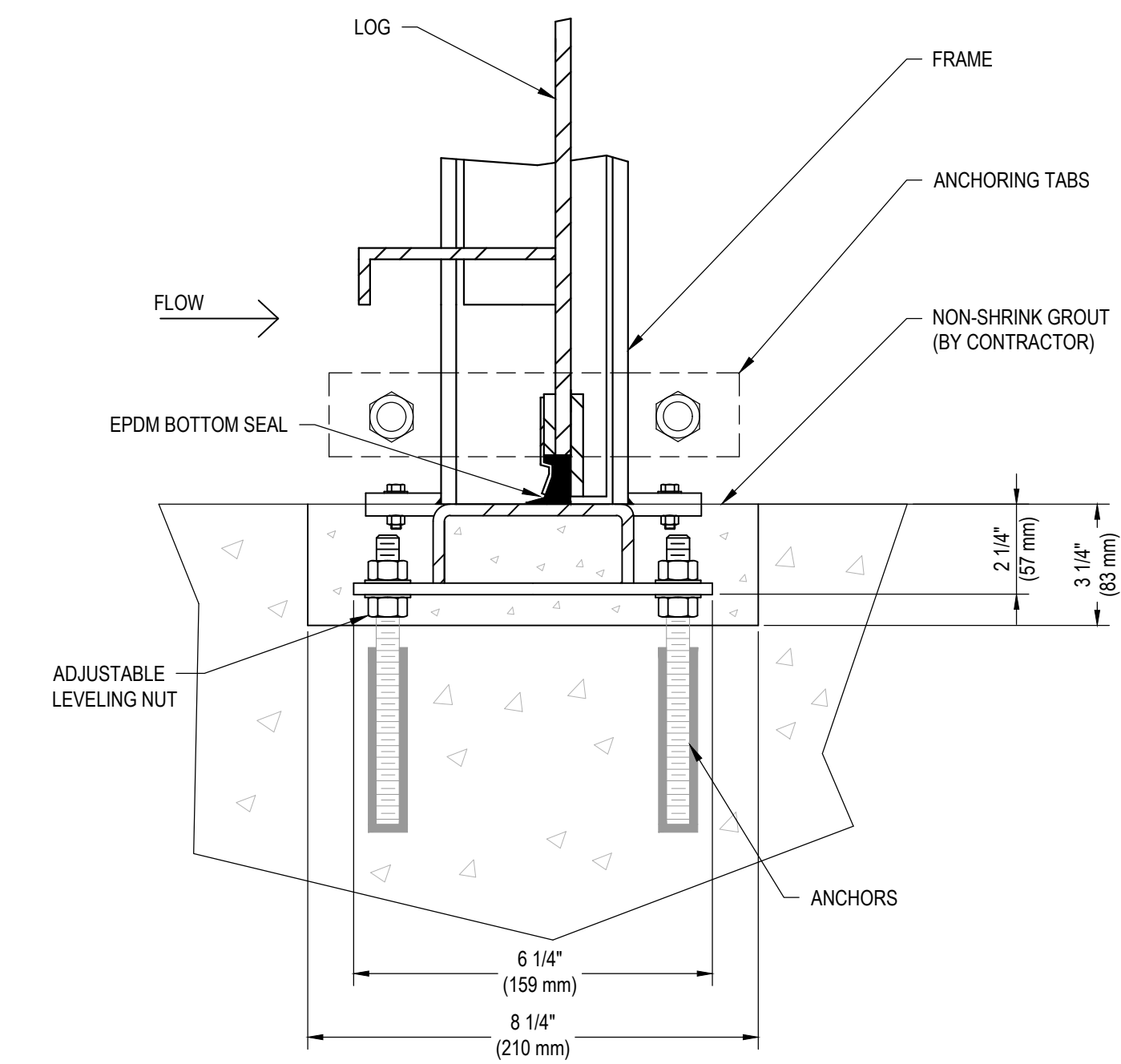


BOTTOM SEAL SECTION

TYPE - FE
Embedded Frame Details



SIDE SEAL SECTION



BOTTOM SEAL SECTION

DATE	No.	REVISION
2025/01/23	2	ISSUED FOR TENDER
2024/08/23	1	ISSUED FOR ECA APPROVAL

THE DRAWINGS, ARRANGEMENTS, ANNOTATIONS AND GRAPHICAL PRESENTATIONS ON THIS DOCUMENT ARE THE PROPERTY OF EVB ENGINEERING WHO RETAINS OWNERSHIP AND AUTHORSHIP OF THIS DOCUMENT IN ITS ENTIRETY. THIS DOCUMENT IS AN INSTRUMENT OF SERVICE AND IS THE INTELLECTUAL AND PHYSICAL PROPERTY OF EVB ENGINEERING. AUTHORIZED USE OF THIS DRAWING IS GRANTED SOLELY FOR THE PURPOSE OF THIS SPECIFIC PROJECT AND LOCATION, AND NOT FOR CONSTRUCTION OR USE FOR ANY OTHER PROJECT. COPYRIGHT © 2024 EVB ENGINEERING.



CONSULTANT:
EVB ENGINEERING
 800 SECOND STREET WEST
 CORNWALL, ONTARIO CANADA, K6J 1H6
 TEL: 613-935-3775 | FAX: 613-935-6450
 WEBSITE: EVBengineering.com

SUB-CONSULTANT:
CIMA+

CLIENT:
Greater Napanee
 SERVICES FOR MANY RESIDENTS

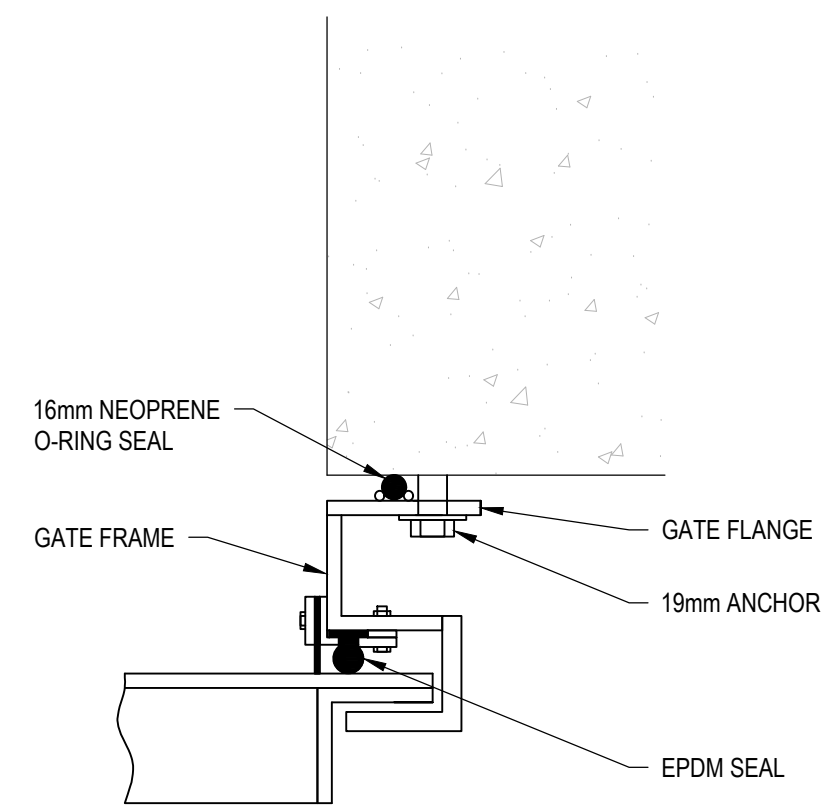
PROJECT:
NEW NAPANEE WPCP

TITLE:
**PROCESS DETAILS
 CHANNEL GATES & WEIR
 GATES DETAILS**

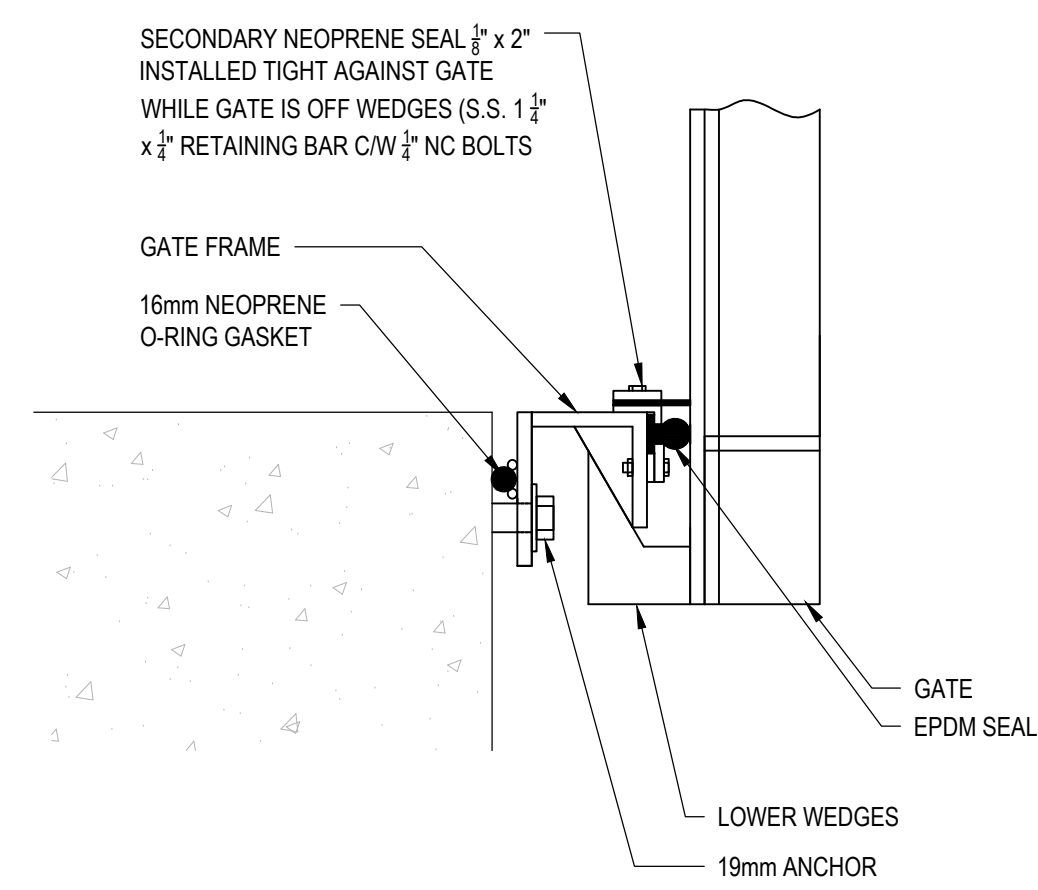
SCALE: N.T.S.	JOB NO: 22001
DESIGNED BY: J.B.	DATE: 2025/01/23
DRAWN BY: K.B.W.	DRAWING NO.
CHECKED BY: J.B.	P0411

M:\2025\20251 - Napanee WPCP Upgrade\03 - Process\03 - Details\20251-P0411-0411.dwg, Jan 23, 2025, 6:03am ET (Jan 19th)

TYPE - WM
Wall Mounted Details

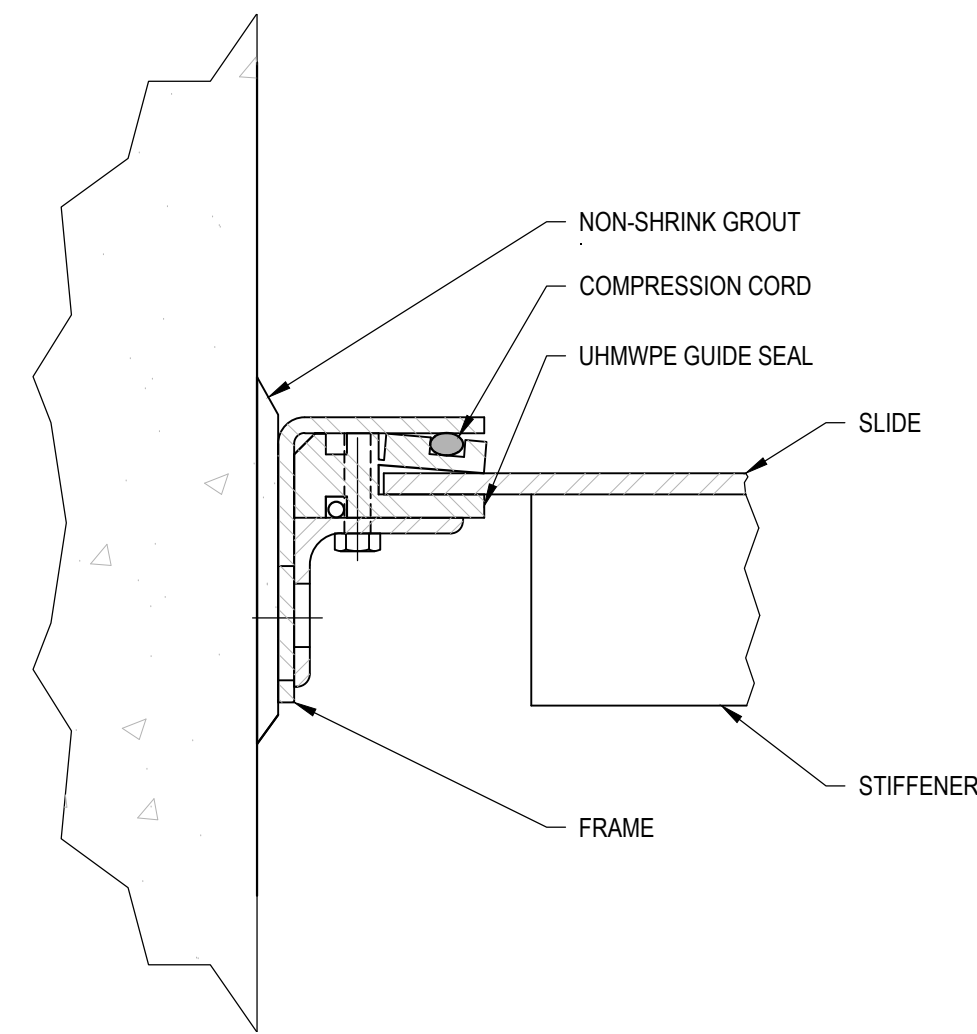


SIDE SEAL SECTION

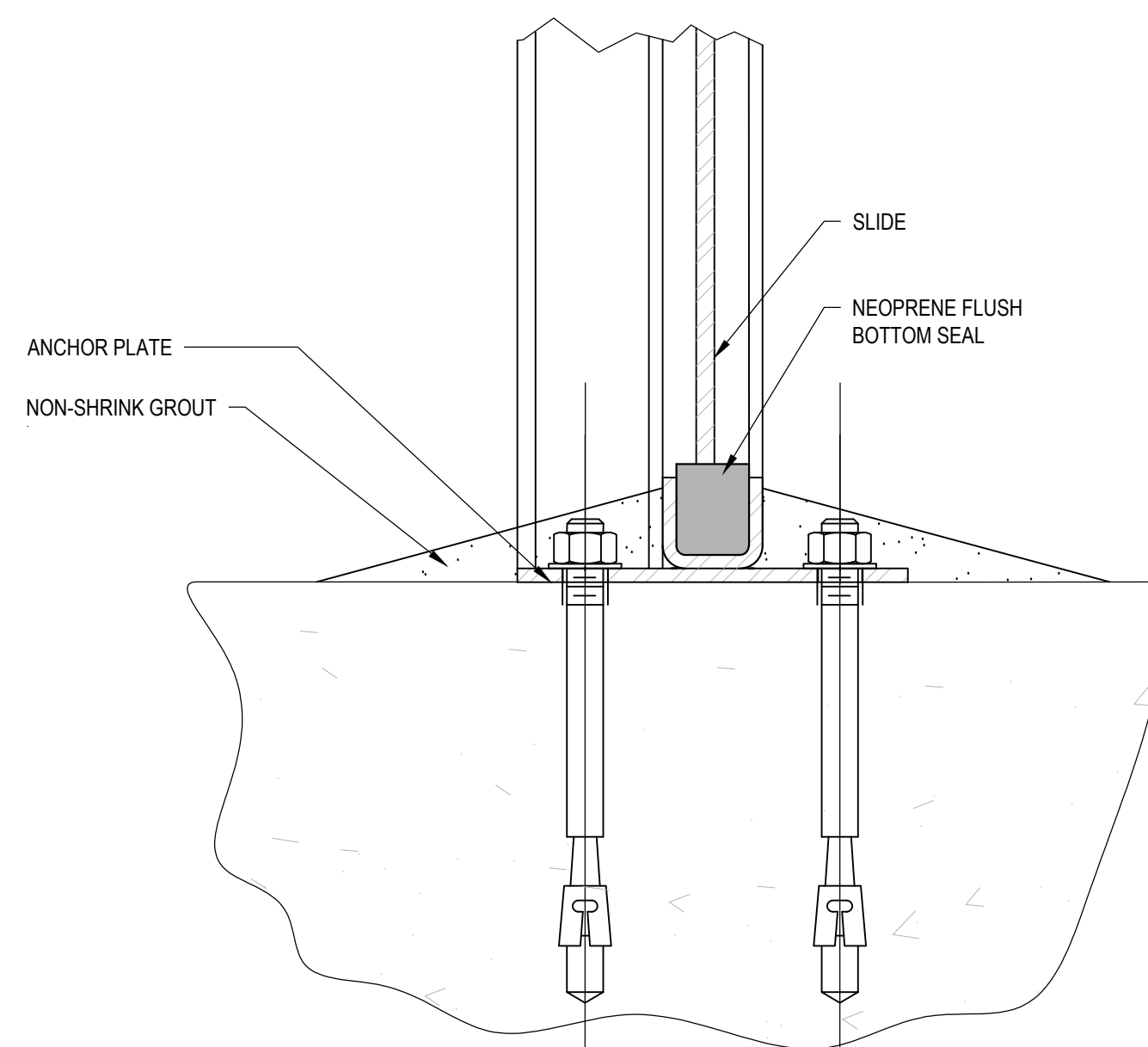


BOTTOM SEAL SECTION

TYPE - EC
Existing Channel Details

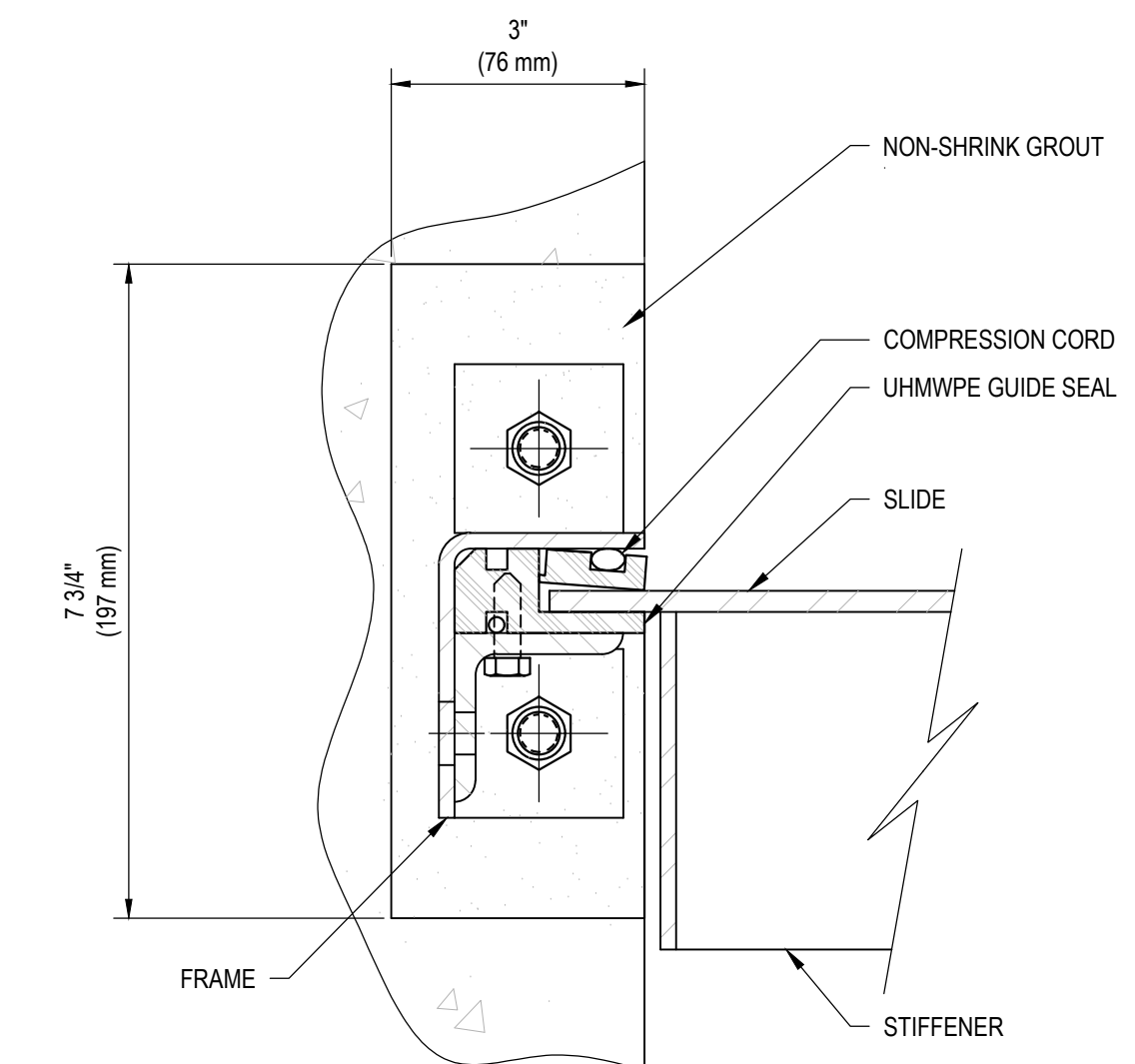


SIDE SEAL SECTION

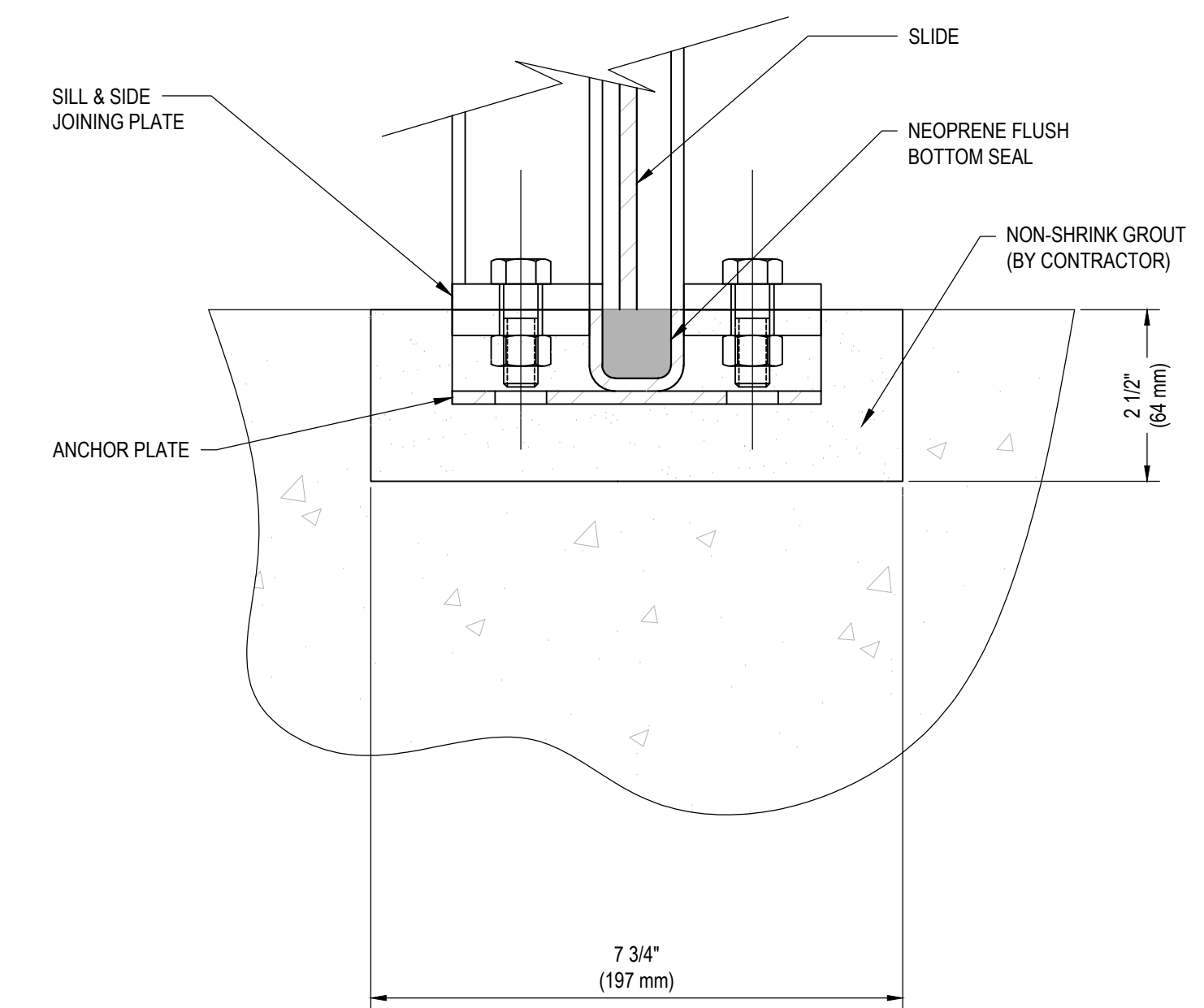


BOTTOM SEAL SECTION

TYPE - FE
Embedded Frame Details



SIDE SEAL SECTION



BOTTOM SEAL SECTION

DATE	No.	REVISION
2025/01/23	2	ISSUED FOR TENDER
2024/08/23	1	ISSUED FOR ECA APPROVAL

THE DRAWINGS, ARRANGEMENTS, ANNOTATIONS AND GRAPHICAL PRESENTATIONS ON THIS DOCUMENT ARE THE PROPERTY OF EVB ENGINEERING WHO RETAINS OWNERSHIP AND AUTHORSHIP OF THIS DOCUMENT IN ITS ENTIRETY. THIS DOCUMENT IS AN INSTRUMENT OF SERVICE AND IS THE INTELLECTUAL AND PHYSICAL PROPERTY OF EVB ENGINEERING. AUTHORIZED USE OF THIS DRAWING IS GRANTED SOLELY FOR THE PURPOSE OF THIS SPECIFIC PROJECT AND LOCATION, AND NOT FOR CONSTRUCTION OR USE FOR ANY OTHER PROJECT.
COPYRIGHT © 2024 EVB ENGINEERING.



CONSULTANT:
EVB ENGINEERING
 800 SECOND STREET WEST
 CORNWALL, ONTARIO CANADA, K6J 1H6
 TEL: 613-935-3775 | FAX: 613-935-6450
 WEBSITE: EVBengineering.com

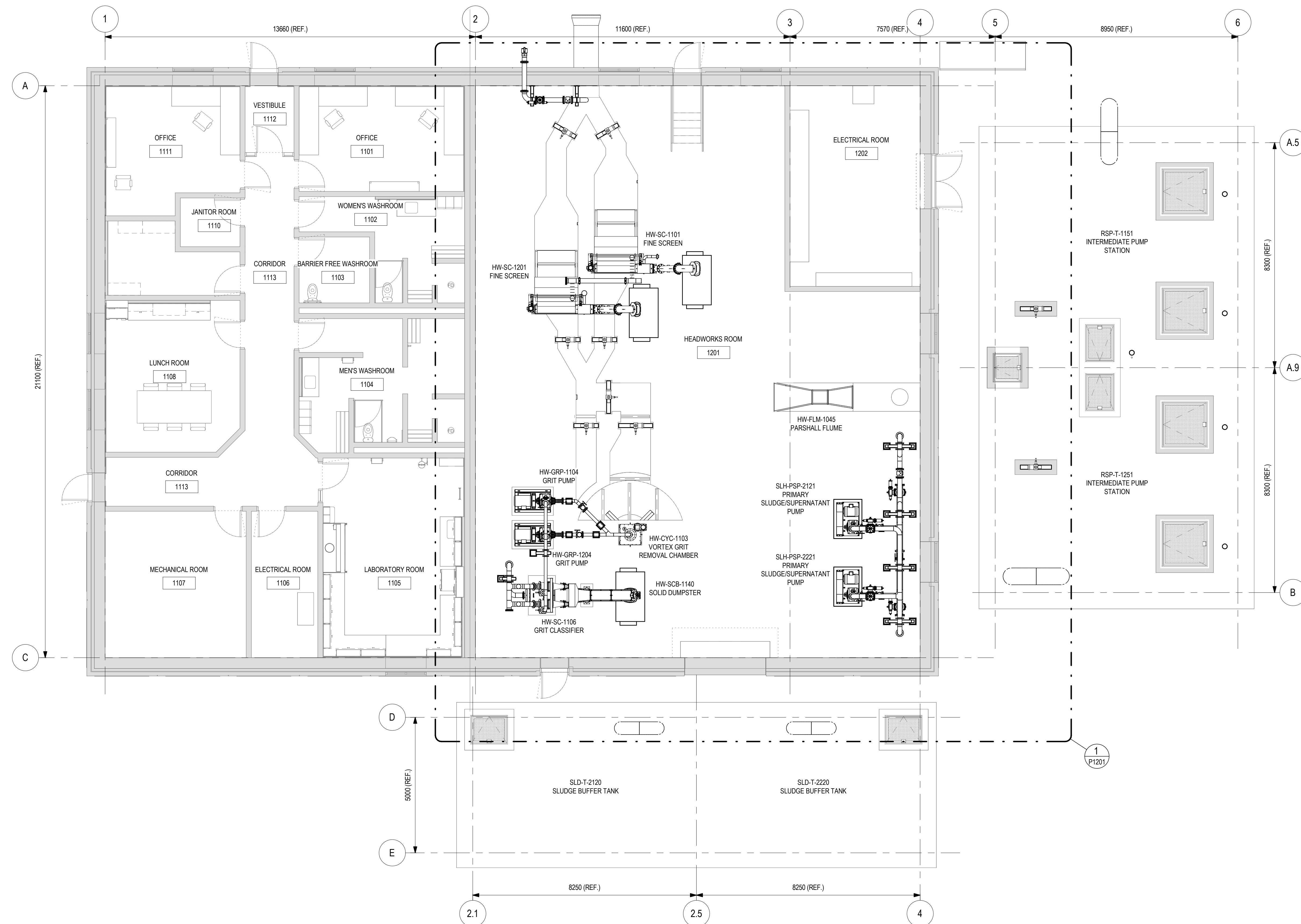
SUB-CONSULTANT:
CIM+

CLIENT:
Greater Napanee
 SERVICES FOR MANY REASONS

PROJECT:
NEW NAPANEE WPCP

TITLE:
**PROCESS DETAILS
 CHANNEL GATES & WEIR
 GATES DETAILS**

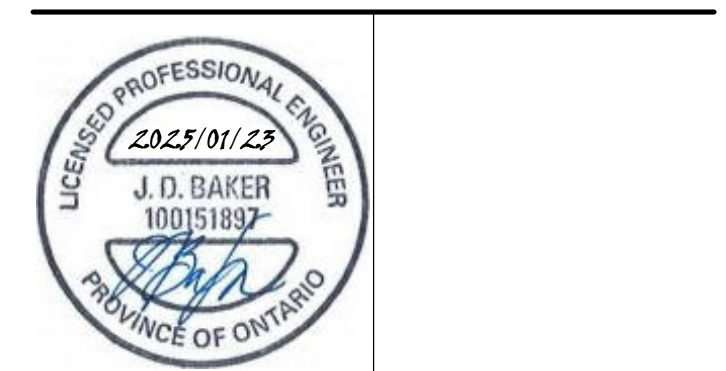
SCALE: N.T.S.	JOB NO: 22001
DESIGNED BY: J.B.	DATE: 2025/01/23
DRAWN BY: K.B.W.	DRAWING NO.
CHECKED BY: J.B.	P0412



HEADWORKS BUILDING OVERALL PLAN - MAIN LEVEL
SCALE: 1:75

DATE	NO.	REVISION
2025/01/23	2	ISSUED FOR TENDER
2024/08/23	1	ISSUED FOR ECA APPROVAL

THE DRAWINGS, ARRANGEMENTS, ANNOTATIONS AND GRAPHICAL PRESENTATIONS ON THIS DOCUMENT ARE THE PROPERTY OF EVB ENGINEERING WHO RETAINS OWNERSHIP AND AUTHORSHIP OF THIS DOCUMENT IN ITS ENTIRETY. THIS DOCUMENT IS AN INSTRUMENT OF SERVICE AND IS THE INTELLECTUAL AND PHYSICAL PROPERTY OF EVB ENGINEERING. AUTHORIZED USE OF THIS DRAWING IS GRANTED SOLELY FOR THE PURPOSE OF THIS SPECIFIC PROJECT AND LOCATION, AND NOT FOR CONSTRUCTION OR USE FOR ANY OTHER PROJECT. COPYRIGHT © 2024 EVB ENGINEERING.



CONSULTANT:



SUB-CONSULTANT:



CLIENT:



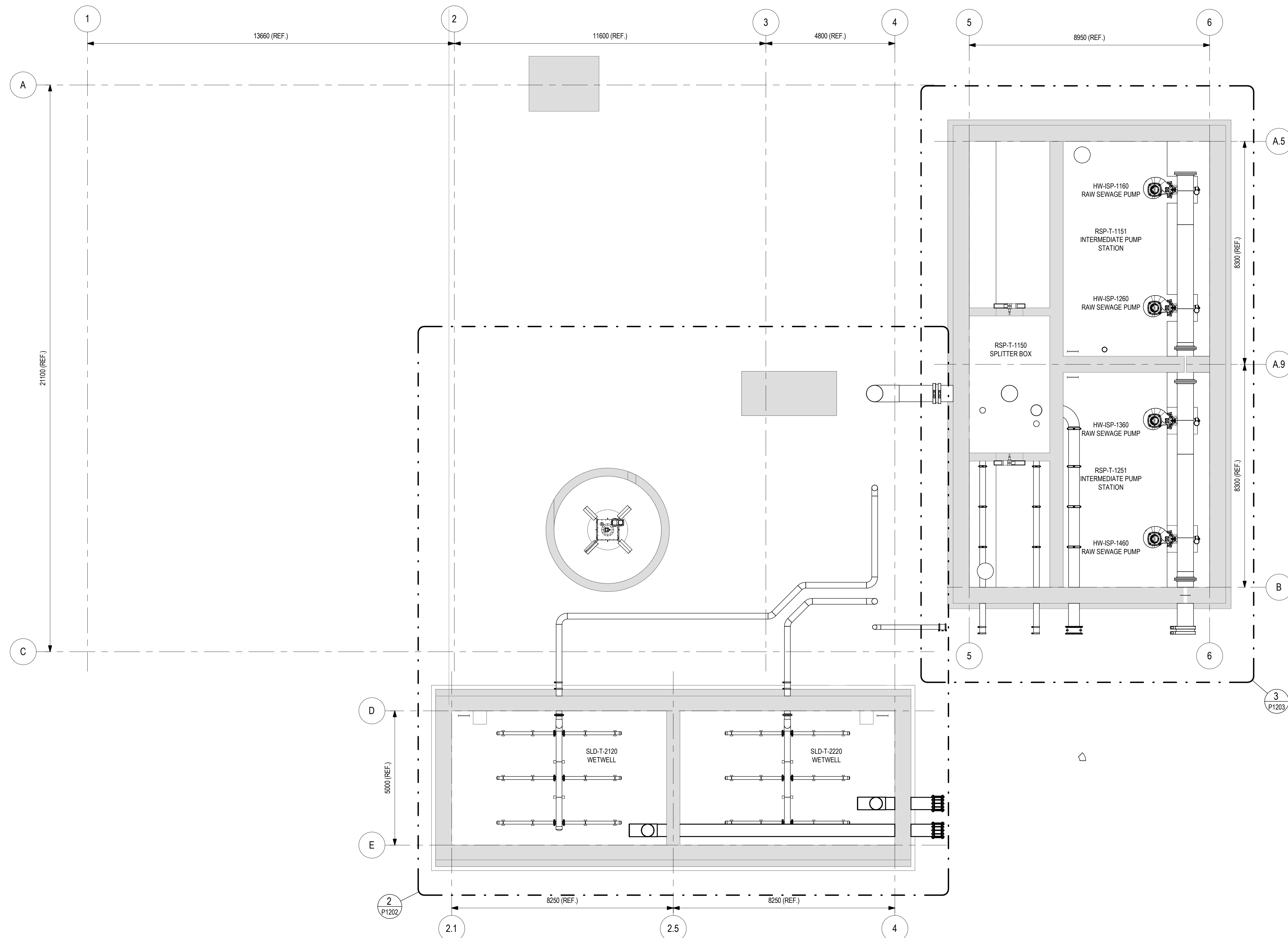
PROJECT:

NEW NAPANEE WPCP

TITLE:

HEADWORKS BUILDING OVERALL PLAN - MAIN LEVEL

SCALE: 1:75	JOB NO. 22001
DESIGNED BY: K.B.W./J.B.	DATE: 2025/01/23
DRAWN BY: K.B.W.	DRAWING NO. P1101
CHECKED BY: J.B.	

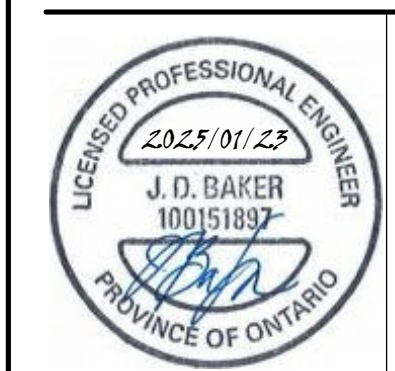



HEADWORKS BUILDING OVERALL PLAN - LOWER LEVEL
SCALE: 1:75

2025-01-23 4:14:50 PM Autodesk Docs://22001 - Napanee New WPCP/22001-WPCP-P-HW-1000.rvt


DATE	NO.	REVISION
2025/01/23	2	ISSUED FOR TENDER
2024/08/23	1	ISSUED FOR ECA APPROVAL

THE DRAWINGS, ARRANGEMENTS, ANNOTATIONS AND GRAPHICAL PRESENTATIONS ON THIS DOCUMENT ARE THE PROPERTY OF EVB ENGINEERING WHO RETAINS OWNERSHIP AND AUTHORSHIP OF THIS DOCUMENT IN ITS ENTIRETY. THIS DOCUMENT IS AN INSTRUMENT OF SERVICE AND IS THE INTELLECTUAL AND PHYSICAL PROPERTY OF EVB ENGINEERING. AUTHORIZED USE OF THIS DRAWING IS GRANTED SOLELY FOR THE PURPOSE OF THIS SPECIFIC PROJECT AND LOCATION, AND NOT FOR CONSTRUCTION OR USE FOR ANY OTHER PROJECT. COPYRIGHT © 2024 EVB ENGINEERING.



CONSULTANT:
 **EVB ENGINEERING**
 800 SECOND STREET WEST
 CORNWALL, ONTARIO CANADA, K6J 1H6
 TEL: 613-855-3775 | FAX: 613-935-6450
 WEBSITE: EVBengineering.com

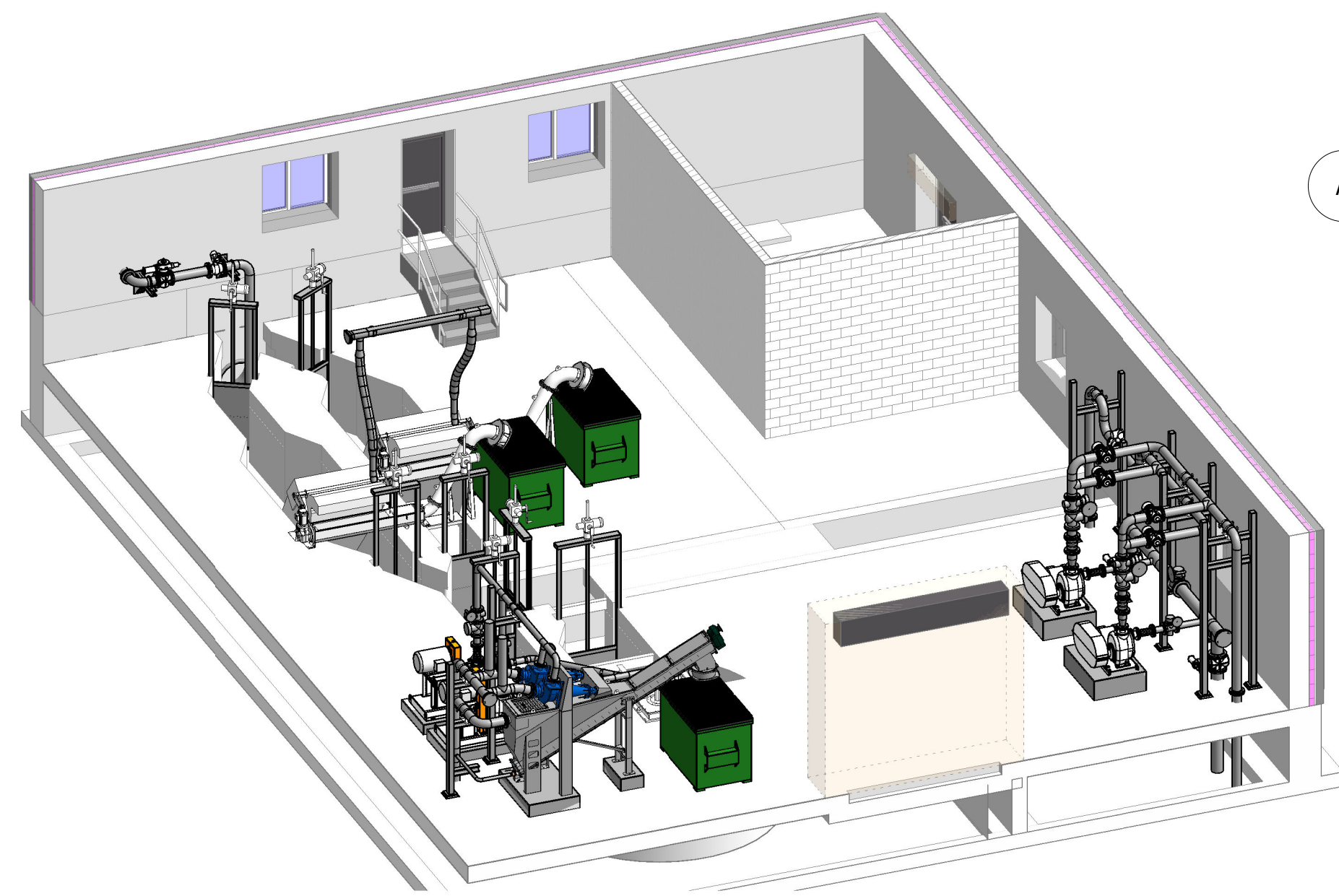
SUB-CONSULTANT:


CLIENT:

 GREATER FOR MANY REASONS

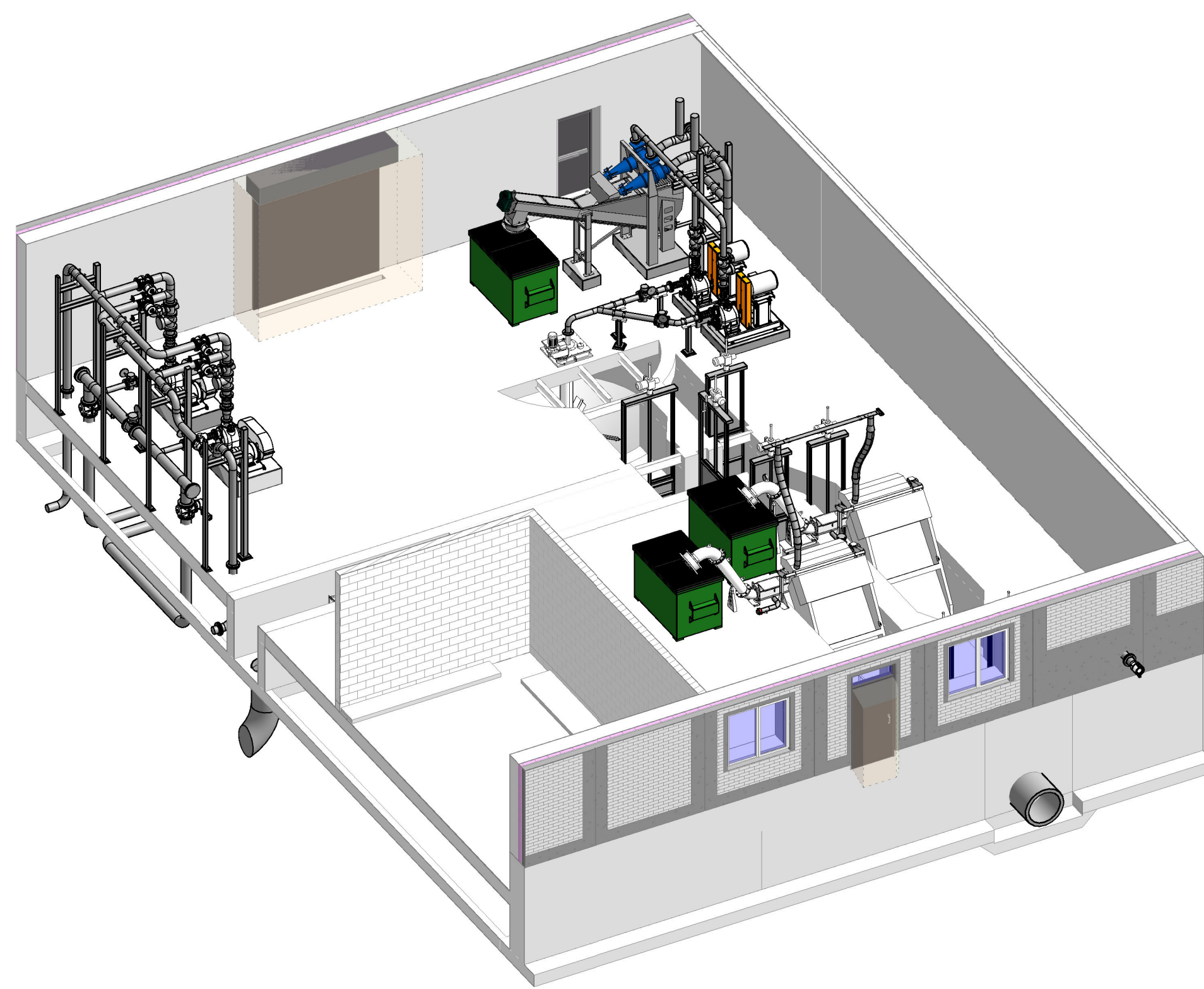
PROJECT:
NEW NAPANEE WPCP

TITLE:
**HEADWORKS BUILDING
 OVERALL PLAN - BASEMENT
 LEVEL**

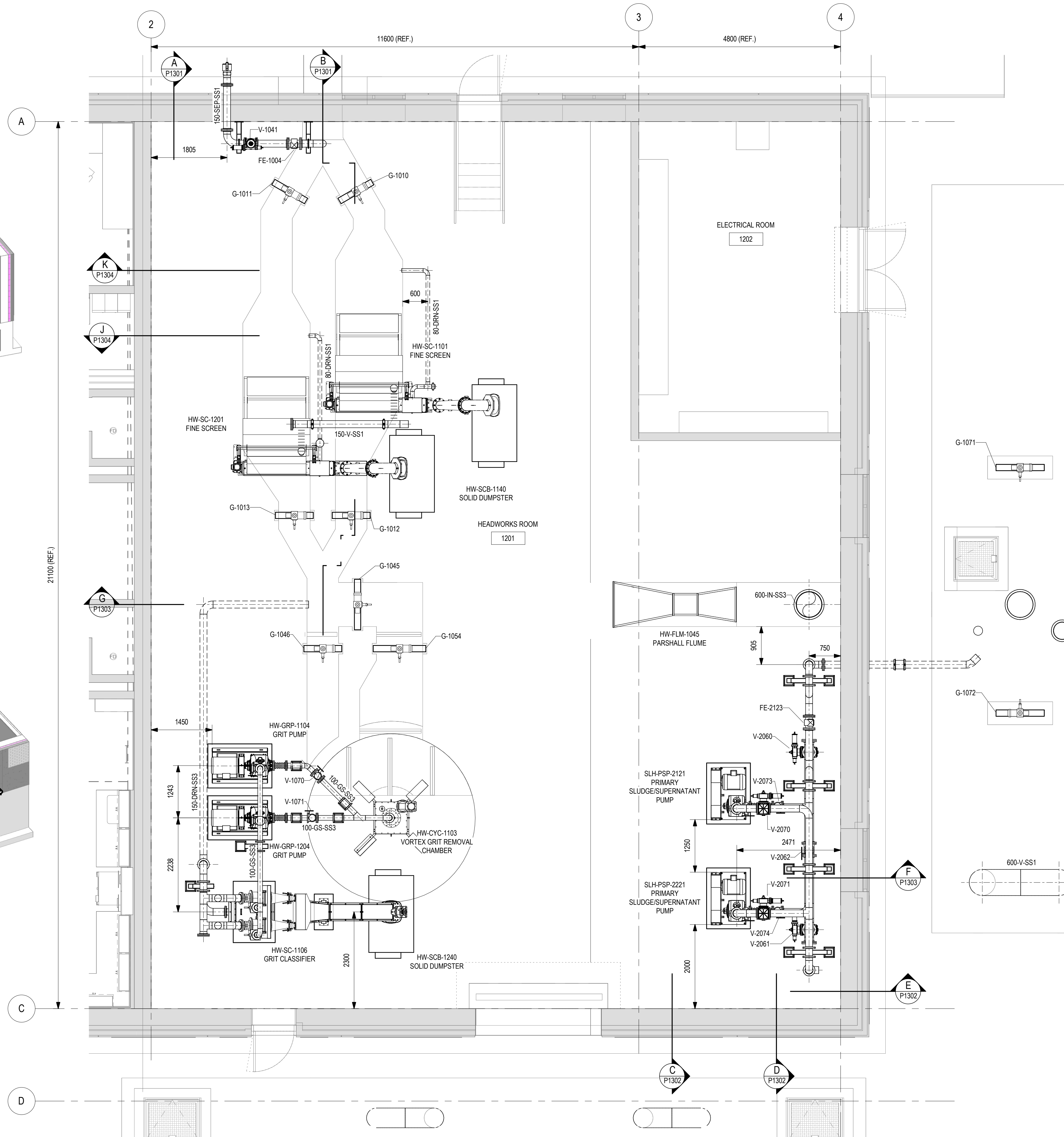
SCALE: 1:75	JOB NO. 22001
DESIGNED BY: K.B.W./J.B.	DATE: 2025/01/23
DRAWN BY: K.B.W.	DRAWING NO. P1102
CHECKED BY: J.B.	



3D - HEADWORKS ROOM VIEW No.1



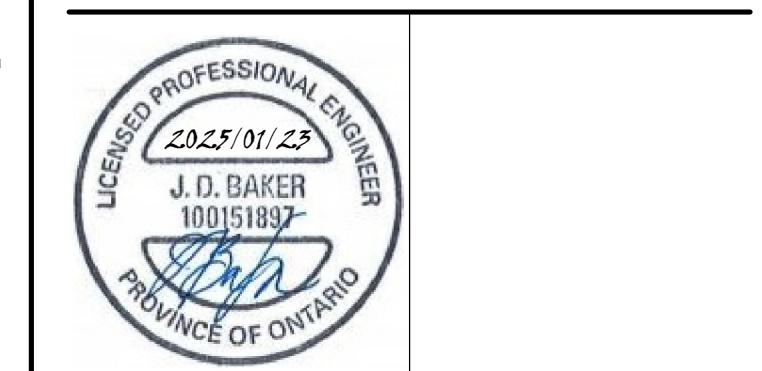
3D - HEADWORKS ROOM VIEW No.2



1 ENLARGE PLAN - HEADWORKS ROOM @ ELEV. 80.90m
1:50

DATE	NO.	REVISION
2025/01/23	2	ISSUED FOR TENDER
2024/08/23	1	ISSUED FOR ECA APPROVAL

THE DRAWINGS, ARRANGEMENTS, ANNOTATIONS AND GRAPHICAL PRESENTATIONS ON THIS DOCUMENT ARE THE PROPERTY OF EVB ENGINEERING WHO RETAINS OWNERSHIP AND AUTHORITY OF THIS DOCUMENT IN ITS ENTIRETY. THIS DOCUMENT IS AN INSTRUMENT OF SERVICE AND IS THE INTELLECTUAL AND PHYSICAL PROPERTY OF EVB ENGINEERING. AUTHORIZED USE OF THIS DRAWING IS GRANTED SOLELY FOR THE PURPOSE OF THIS SPECIFIC PROJECT AND LOCATION, AND NOT FOR CONSTRUCTION OR USE FOR ANY OTHER PROJECT. COPYRIGHT © 2024 EVB ENGINEERING.



CONSULTANT:

 800 SECOND STREET WEST
 CORNWALL, ONTARIO CANADA, K6J 1H6
 TEL: 613-855-3775 | FAX: 613-935-6450
 WEBSITE: EVBengineering.com

SUB-CONSULTANT:

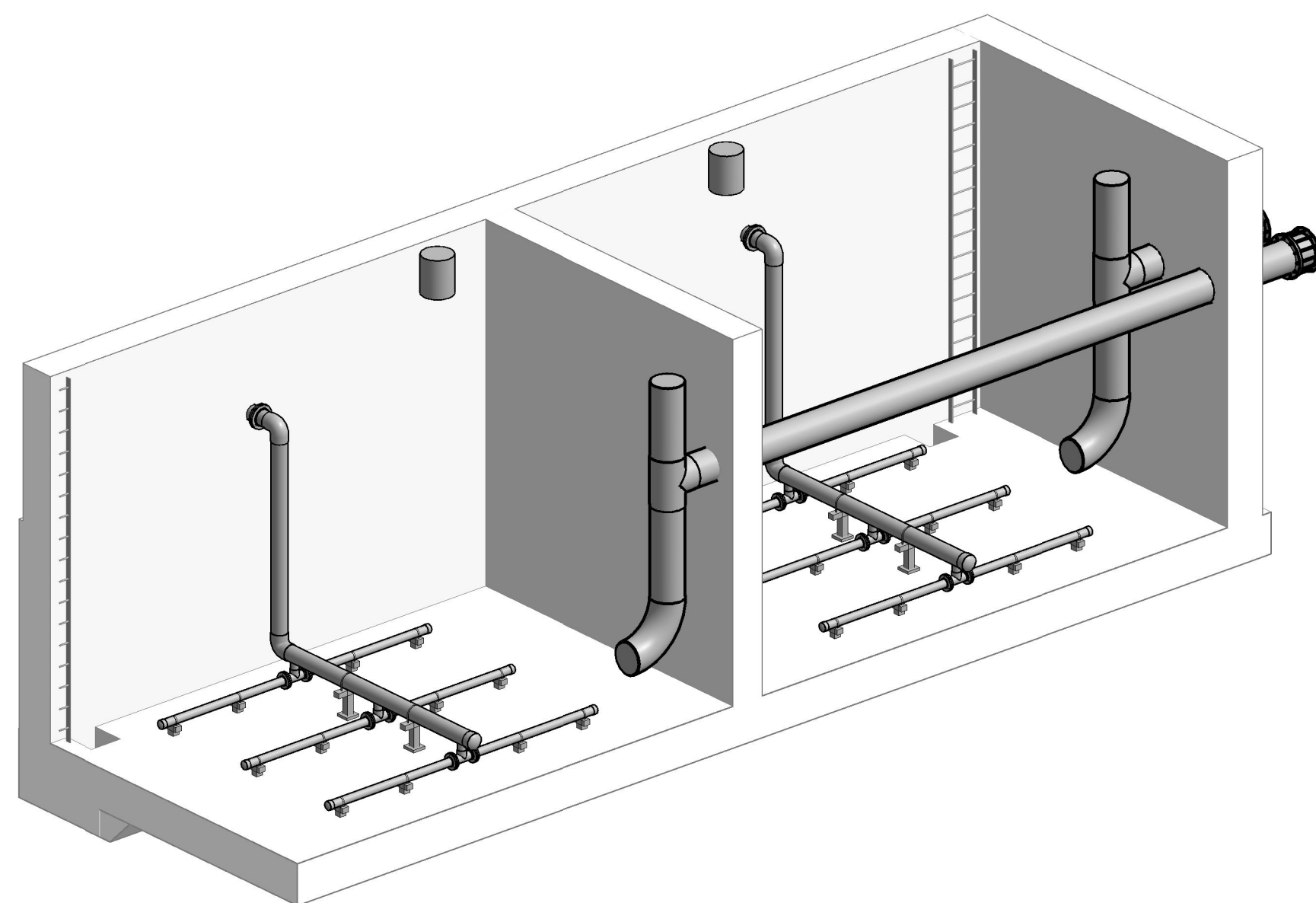
CLIENT:

 GREATER FOR BETTER REGION

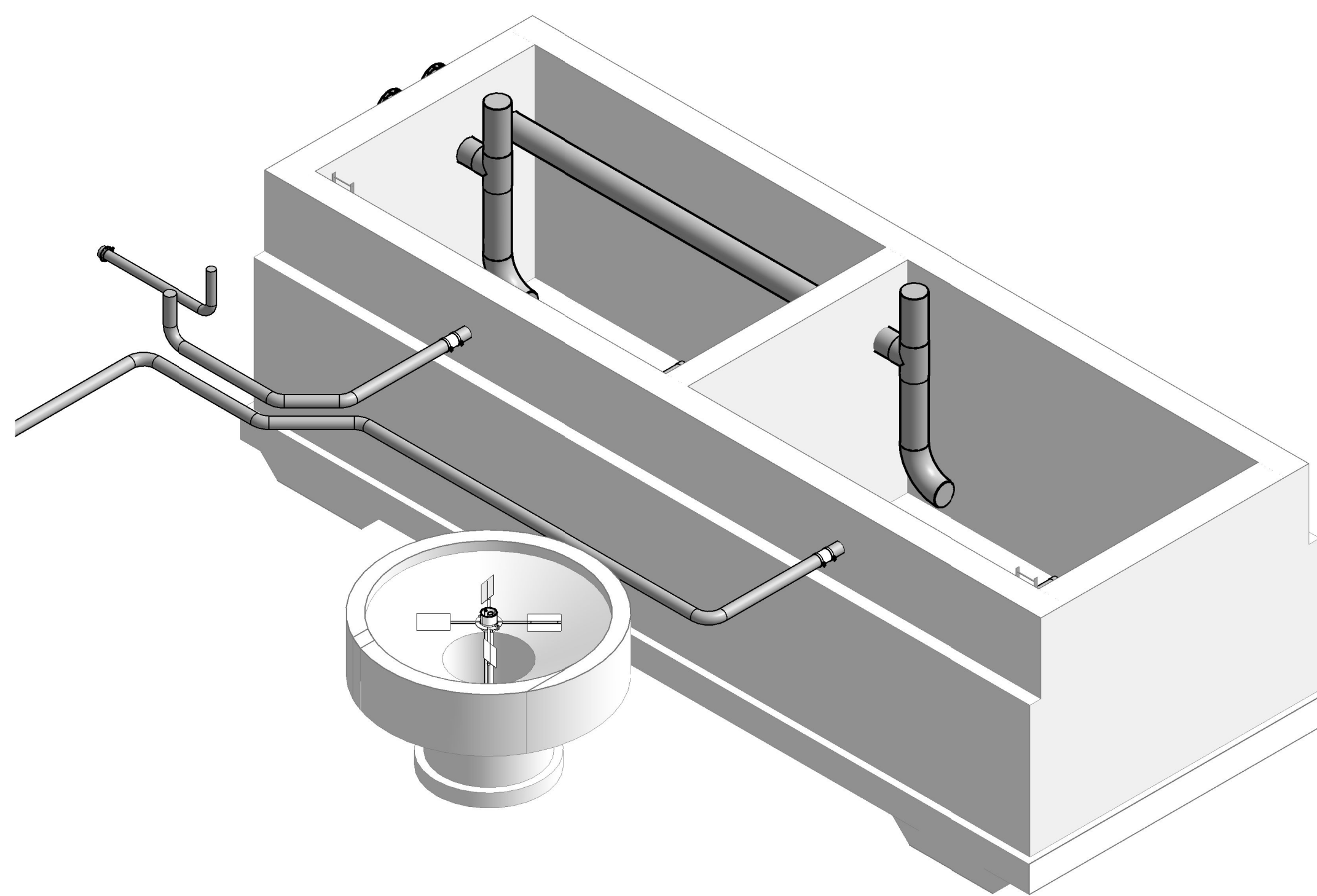
PROJECT:
 NEW NAPANEE WPCP

TITLE:
 HEADWORKS BUILDING
 ENLARGE PLAN -
 HEADWORKS ROOM

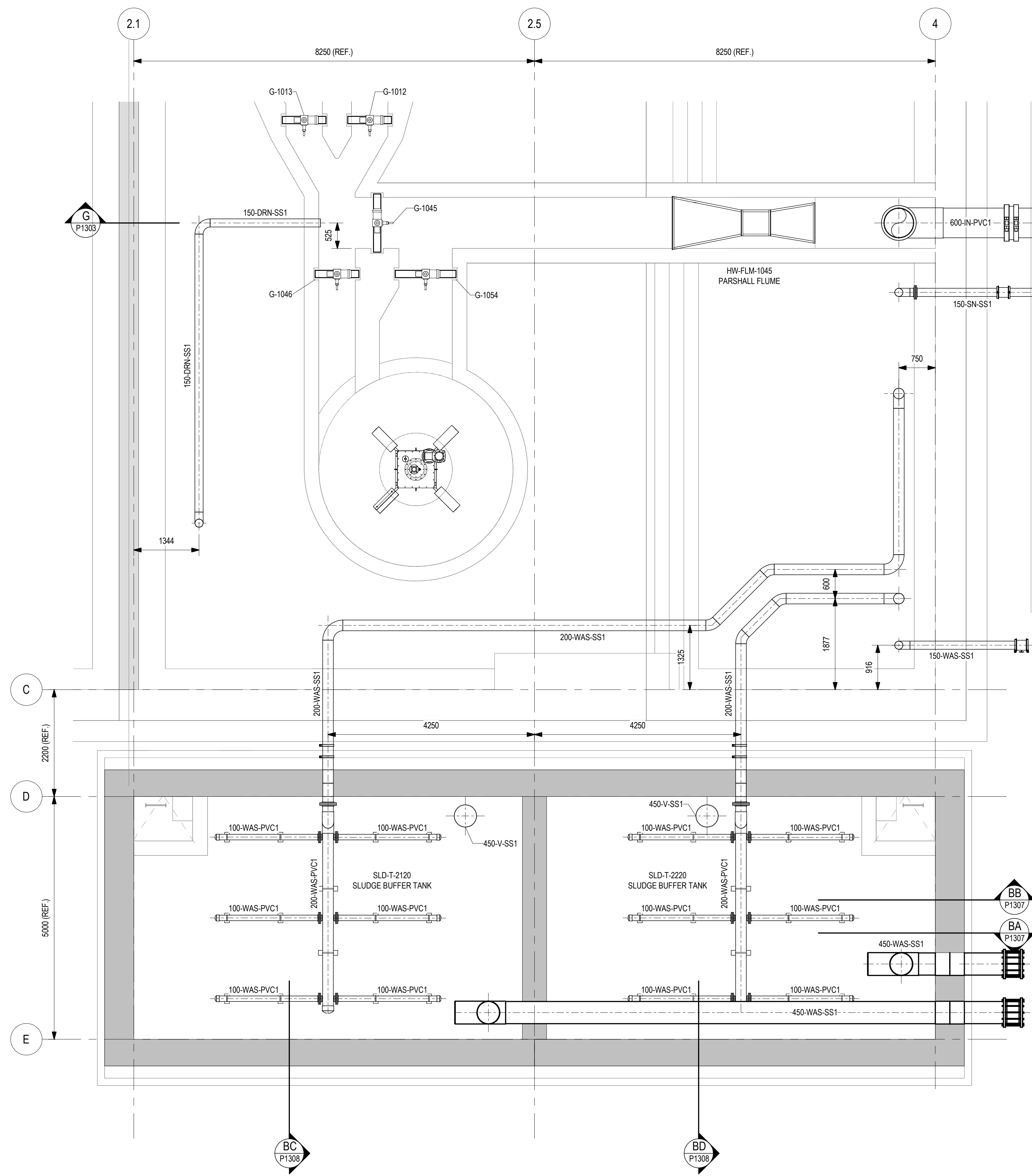
SCALE: 1 : 50	JOB NO. 22001
DESIGNED BY: K.B.W./J.B.	DATE: 2025/01/23
DRAWN BY: K.B.W.	DRAWING NO. P1201
CHECKED BY: J.B.	



3D - SLUDGE BUFFER TANK



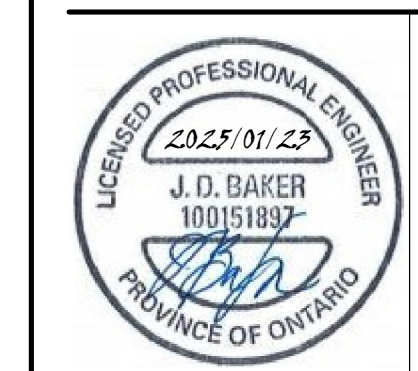
3D - SLUDGE BUFFER PIPING



2 ENLARGE PLAN - SLUDGE BUFFER TANK
P1202 1:50

DATE	NO.	REVISION
2025/01/23	2	ISSUED FOR TENDER
2024/08/23	1	ISSUED FOR ECA APPROVAL

THE DRAWINGS, ARRANGEMENTS, ANNOTATIONS AND GRAPHICAL PRESENTATIONS ON THIS DOCUMENT ARE THE PROPERTY OF EVB ENGINEERING WHO RETAINS OWNERSHIP AND AUTHORITY OF THIS DOCUMENT IN ITS ENTIRETY. THIS DOCUMENT IS AN INSTRUMENT OF SERVICE AND IS THE INTELLECTUAL AND PHYSICAL PROPERTY OF EVB ENGINEERING. AUTHORIZED USE OF THIS DRAWING IS GRANTED SOLELY FOR THE PURPOSE OF THIS SPECIFIC PROJECT AND LOCATION, AND NOT FOR CONSTRUCTION OR USE FOR ANY OTHER PROJECT. COPYRIGHT © 2024 EVB ENGINEERING.



CONSULTANT:
EVB ENGINEERING
 800 SECOND STREET WEST
 CORNWALL, ONTARIO CANADA, K6J 1H6
 TEL: 613-855-3775 | FAX: 613-935-6450
 WEBSITE: EVBengineering.com

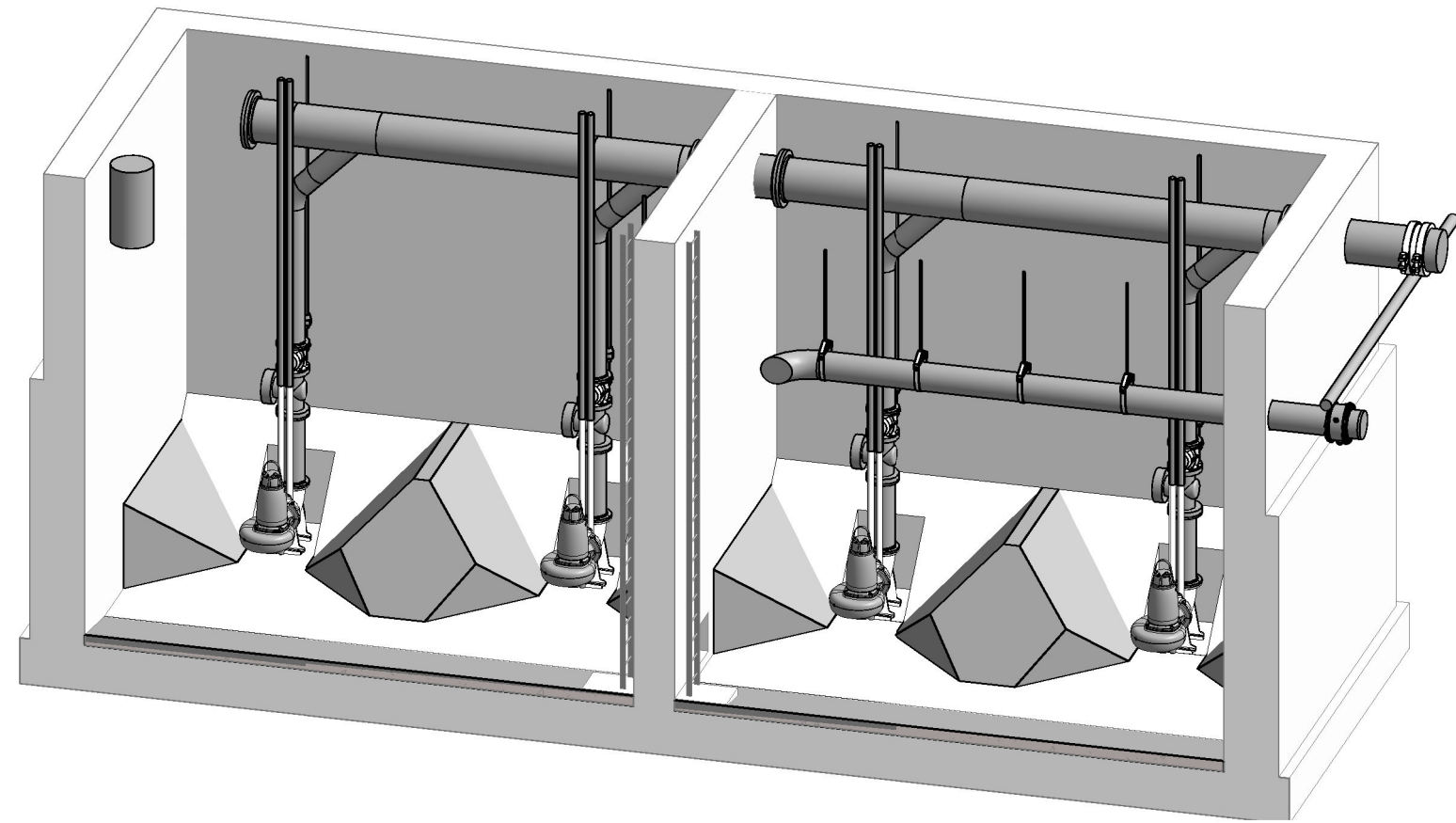
SUB-CONSULTANT:
CIMA+

CLIENT:
Greater Napanee
 SPECIALIST FOR MANY REGIONS

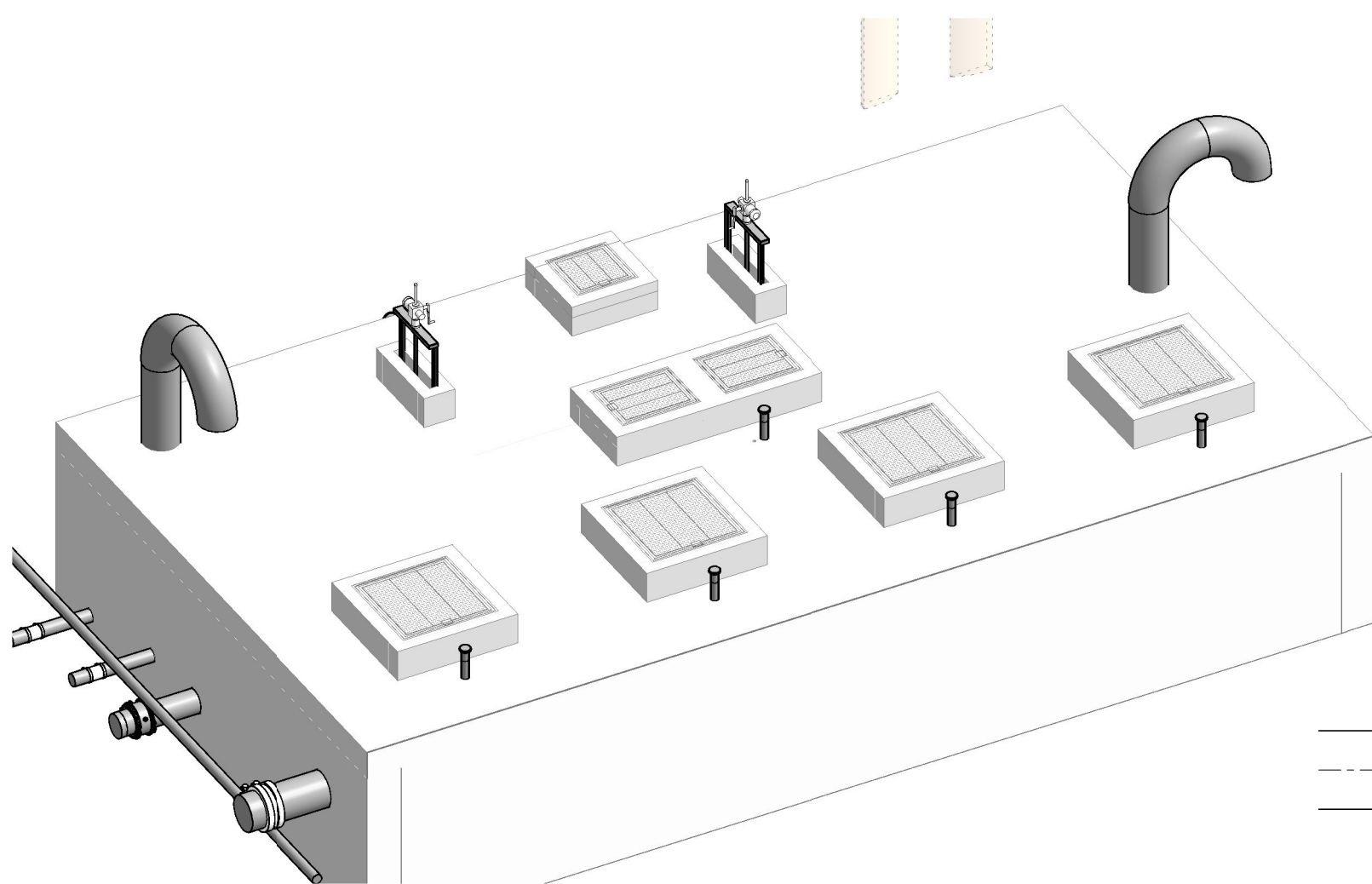
PROJECT:
NEW NAPANEE WPCP

TITLE:
HEADWORKS BUILDING ENLARGE PLAN - SLUDGE BUFFER TANK

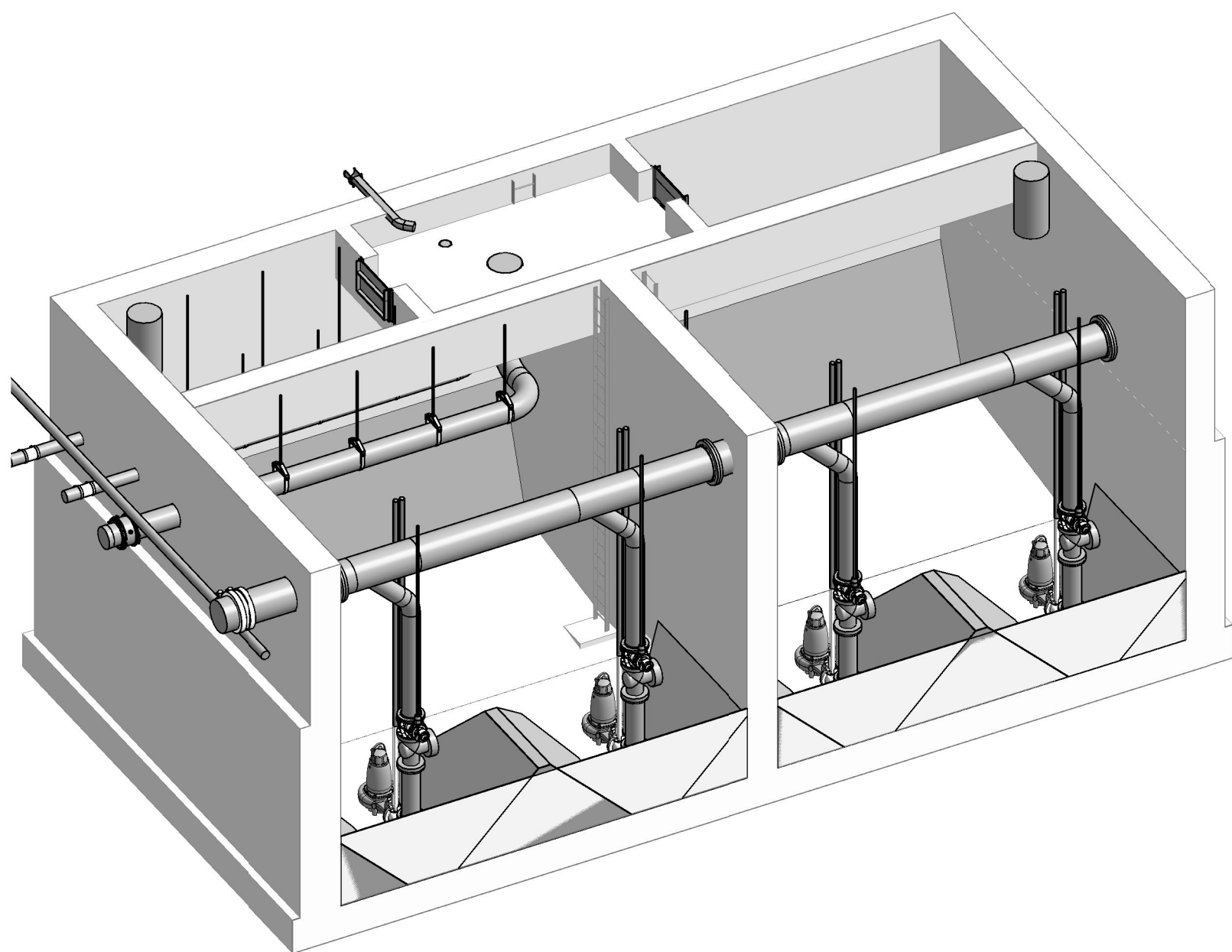
SCALE: 1 : 50	JOB NO. 22001
DESIGNED BY: K.B.W./J.B.	DATE: 2025/01/23
DRAWN BY: K.B.W.	DRAWING NO. P1202
CHECKED BY: J.B.	



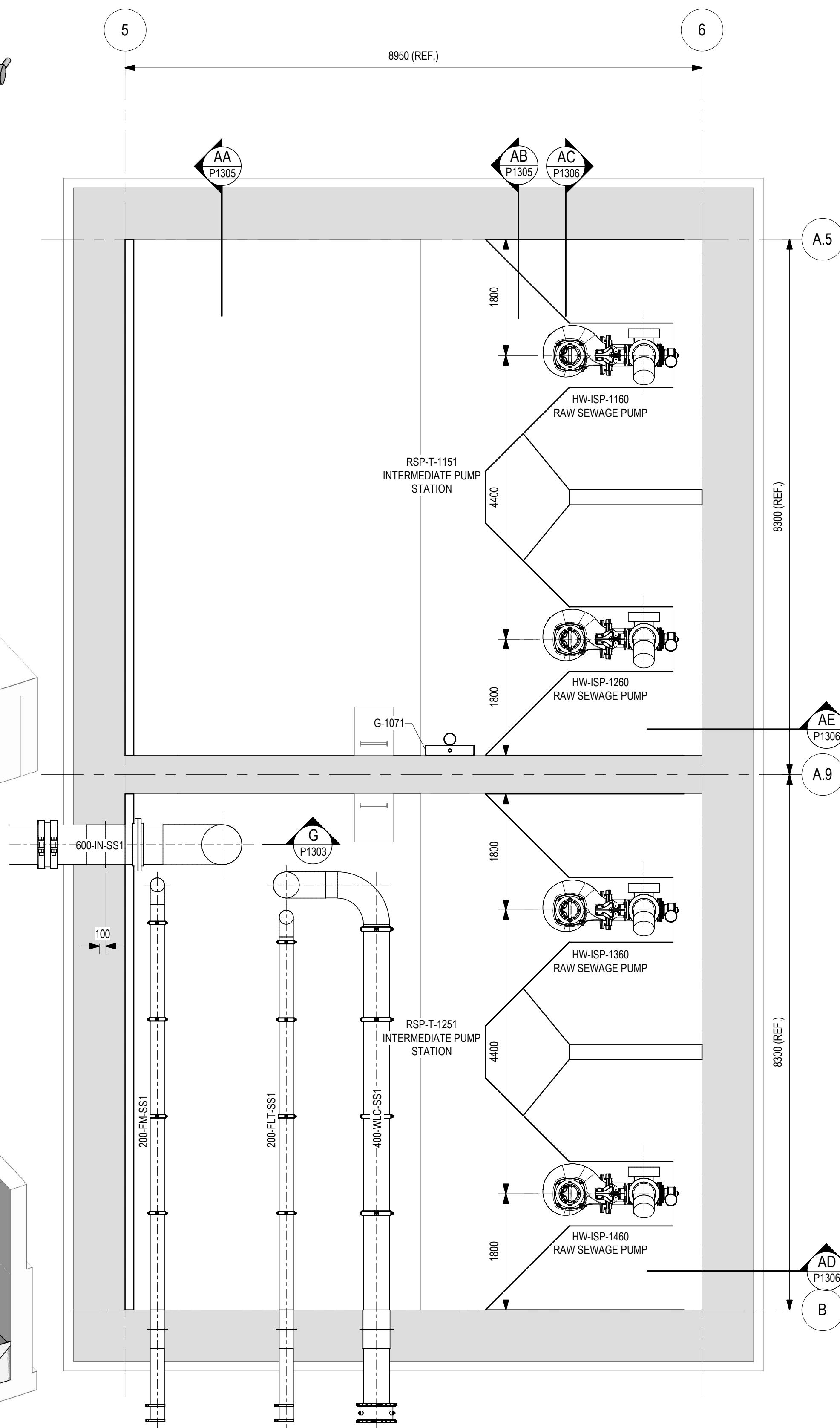
3D - INTERMEDIATE PUMP STATION VIEW 1



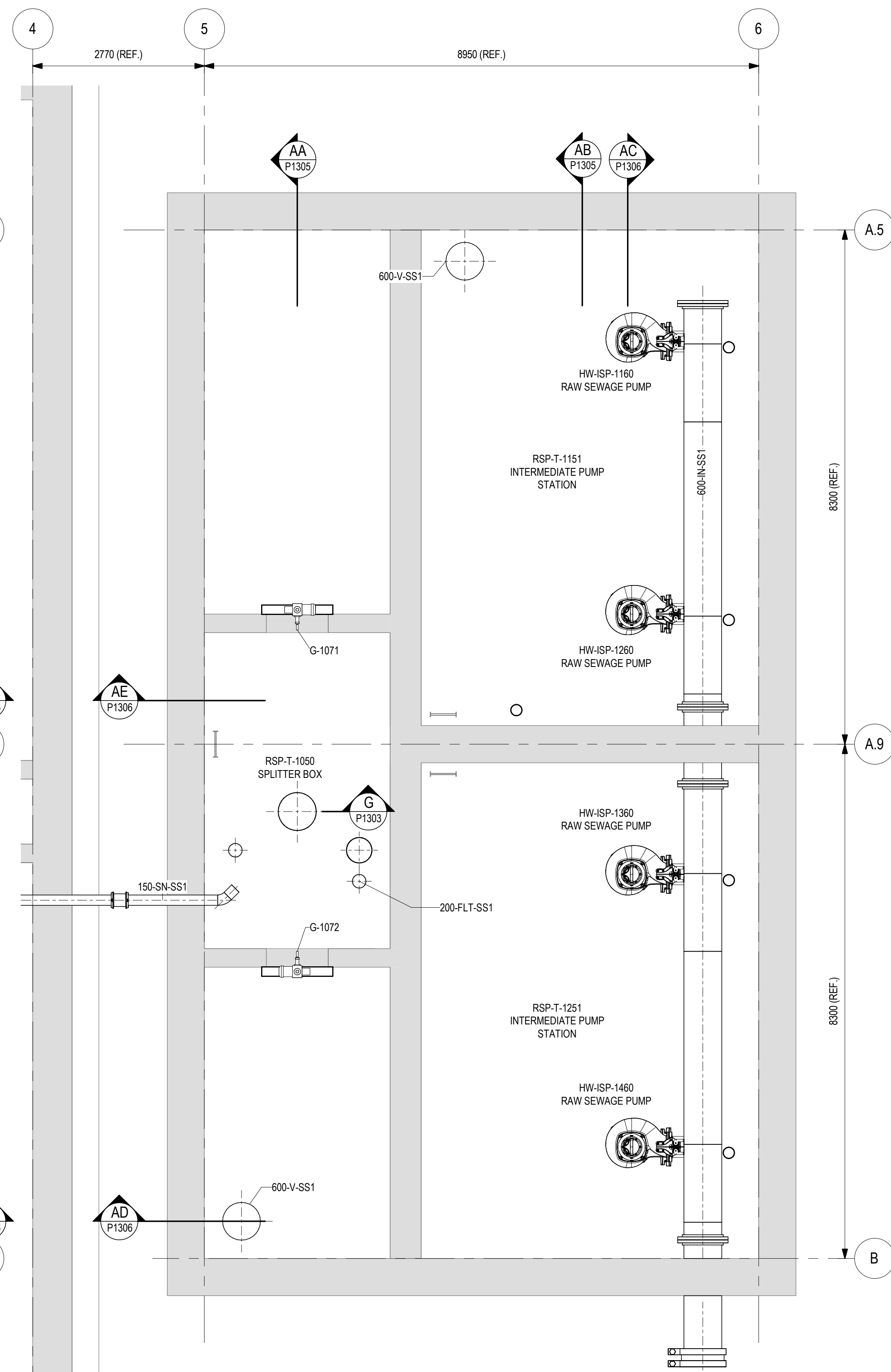
3D - INTERMEDIATE PUMP STATION VIEW 2



3D - INTERMEDIATE PUMP STATION VIEW 3



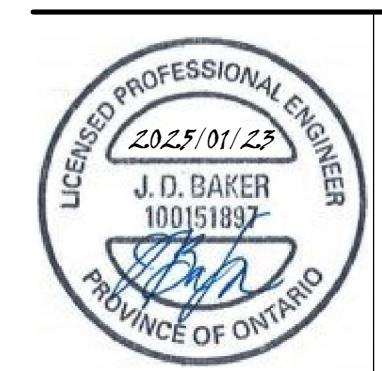
3 ENLARGE PLAN - INTERMEDIATE PUMP STATION @ ELEV. 72.40m
SCALE: 1:50



ENLARGE PLAN - INTERMEDIATE PUMP STATION @ ELEV. 76.75m
SCALE: 1:50

DATE	NO.	REVISION
2025/01/23	2	ISSUED FOR TENDER
2024/08/23	1	ISSUED FOR ECA APPROVAL

THE DRAWINGS, ARRANGEMENTS, ANNOTATIONS AND GRAPHICAL PRESENTATIONS ON THIS DOCUMENT ARE THE PROPERTY OF EVB ENGINEERING WHO RETAINS OWNERSHIP AND AUTHORITY OF THIS DOCUMENT IN ITS ENTIRETY. THIS DOCUMENT IS AN INSTRUMENT OF SERVICE AND IS THE INTELLECTUAL AND PHYSICAL PROPERTY OF EVB ENGINEERING. AUTHORIZED USE OF THIS DRAWING IS GRANTED SOLELY FOR THE PURPOSE OF THIS SPECIFIC PROJECT AND LOCATION, AND NOT FOR CONSTRUCTION OR USE FOR ANY OTHER PROJECT. COPYRIGHT © 2024 EVB ENGINEERING.



CONSULTANT:
EVB ENGINEERING
 800 SECOND STREET WEST
 CORNWALL, ONTARIO CANADA, K6J 1H6
 TEL: 613-935-3775 | FAX: 613-935-6450
 WEBSITE: EVBengineering.com

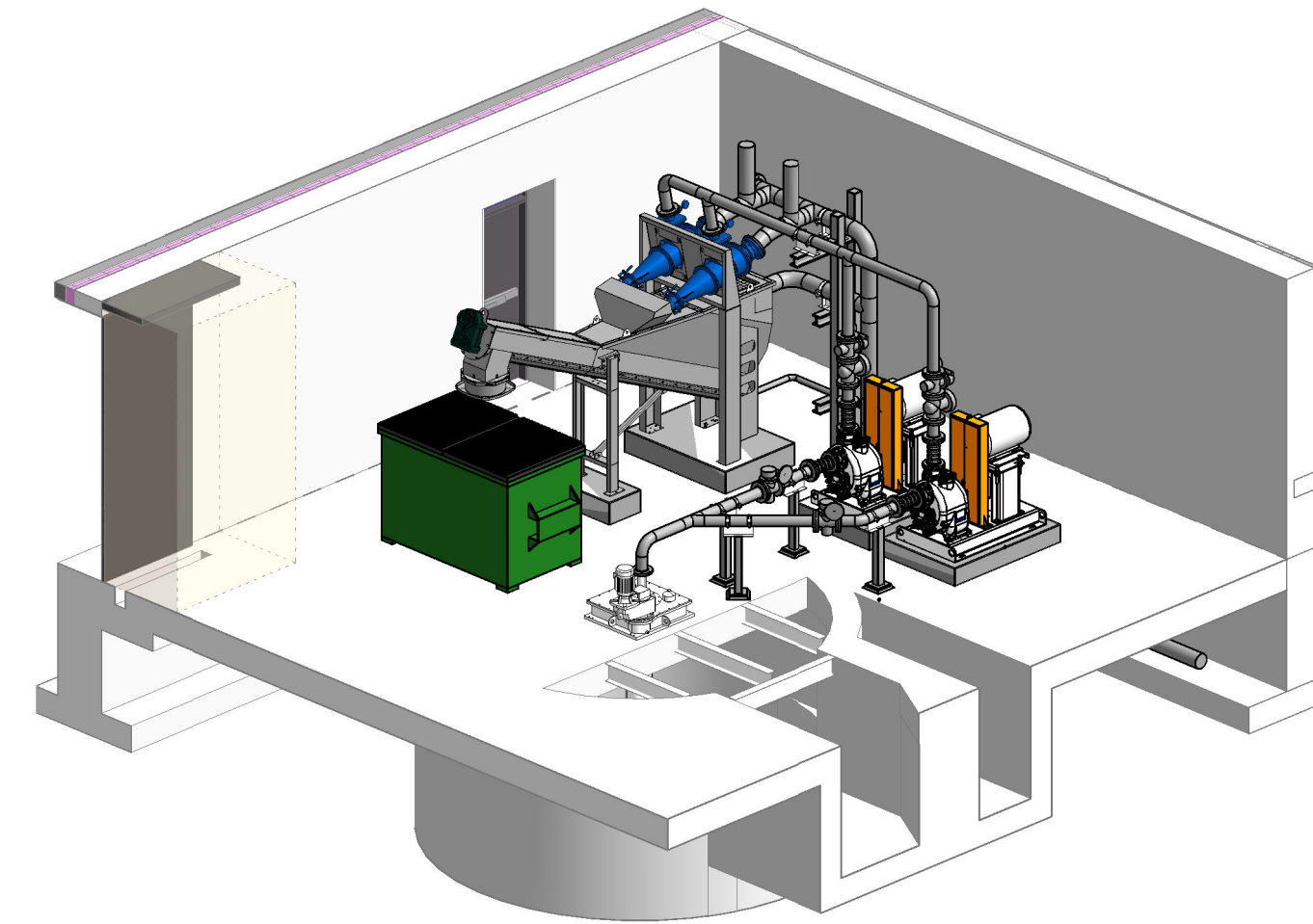
SUB-CONSULTANT:
CIM+

CLIENT:
Greater Napanee
 SPECIALIST FOR MANY REGIONS

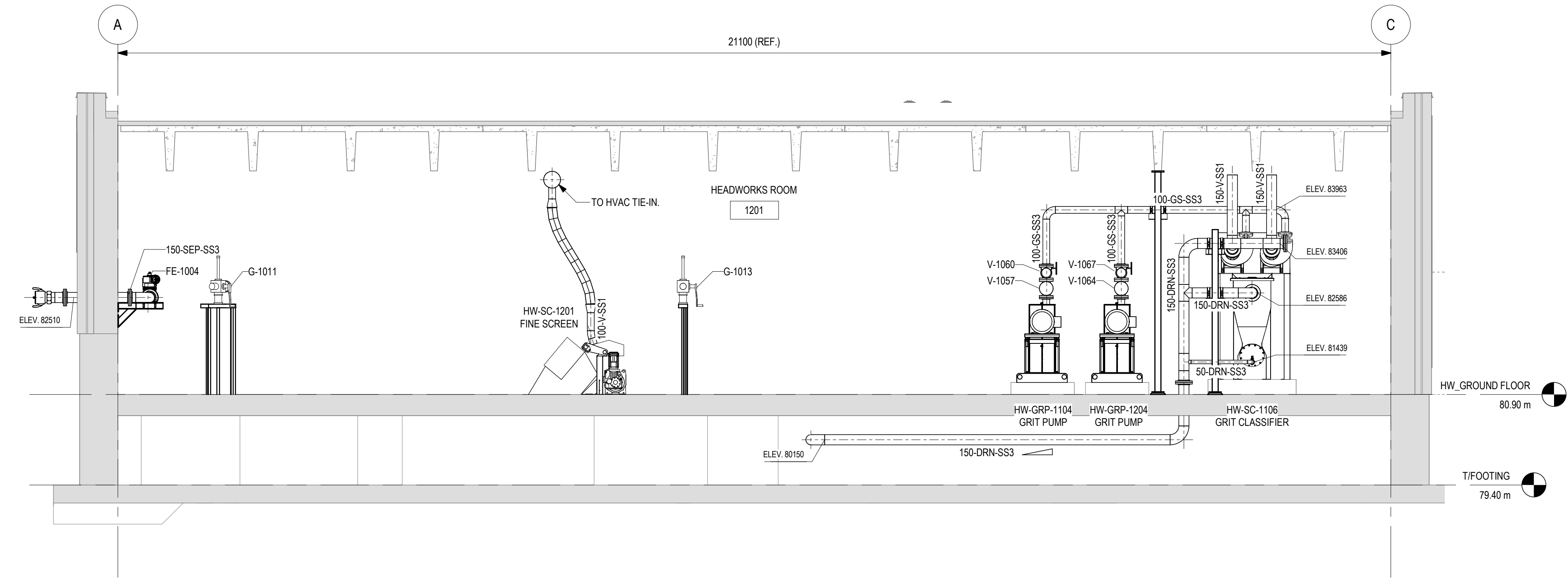
PROJECT:
NEW NAPANEE WPCP

TITLE:
HEADWORKS BUILDING ENLARGE PLAN - INTERMEDIATE PUMP STATION

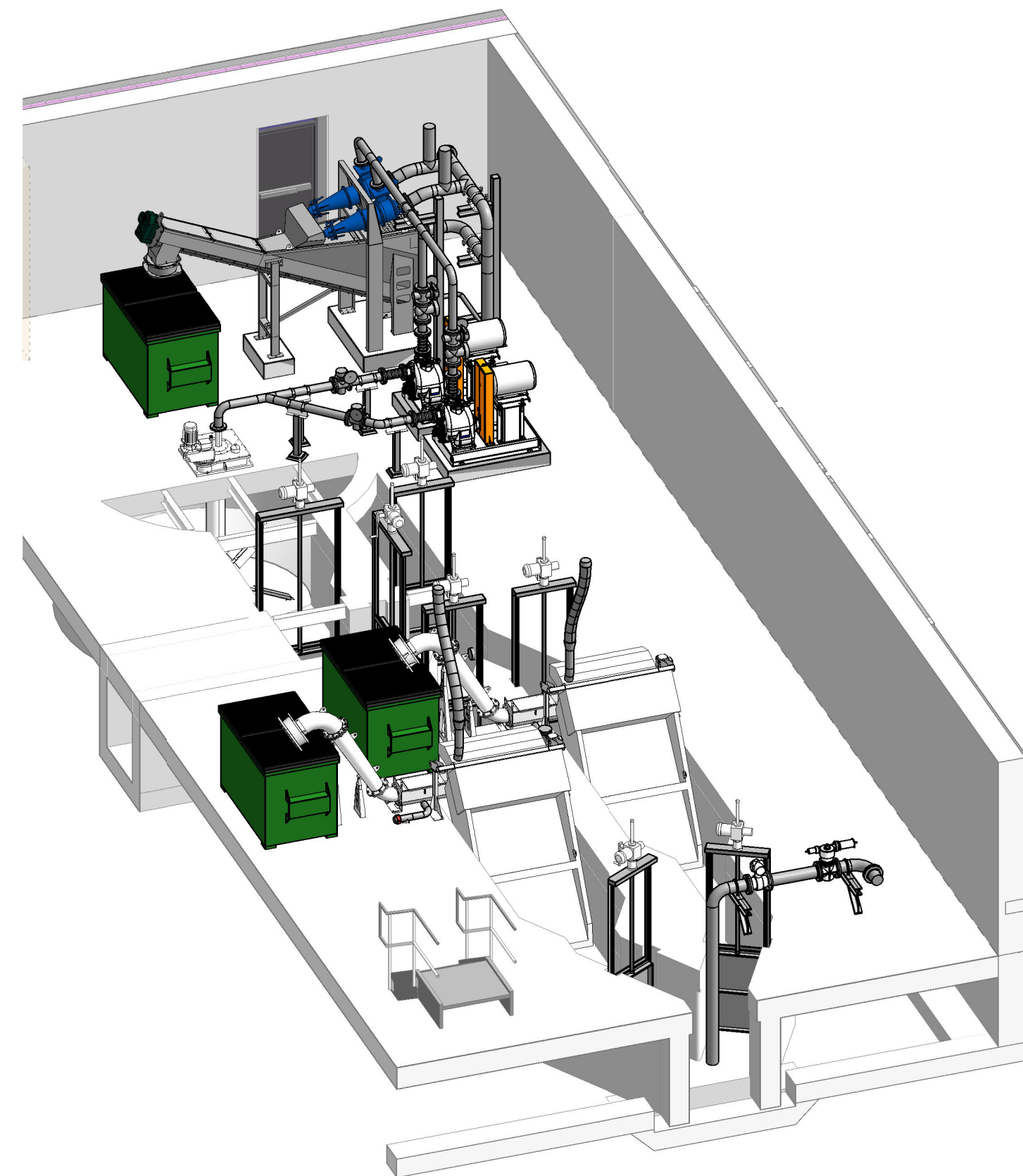
SCALE: 1:50	JOB NO. 22001
DESIGNED BY: K.B.W./J.B.	DATE: 2025/01/23
DRAWN BY: K.B.W.	DRAWING NO. P1203
CHECKED BY: J.B.	



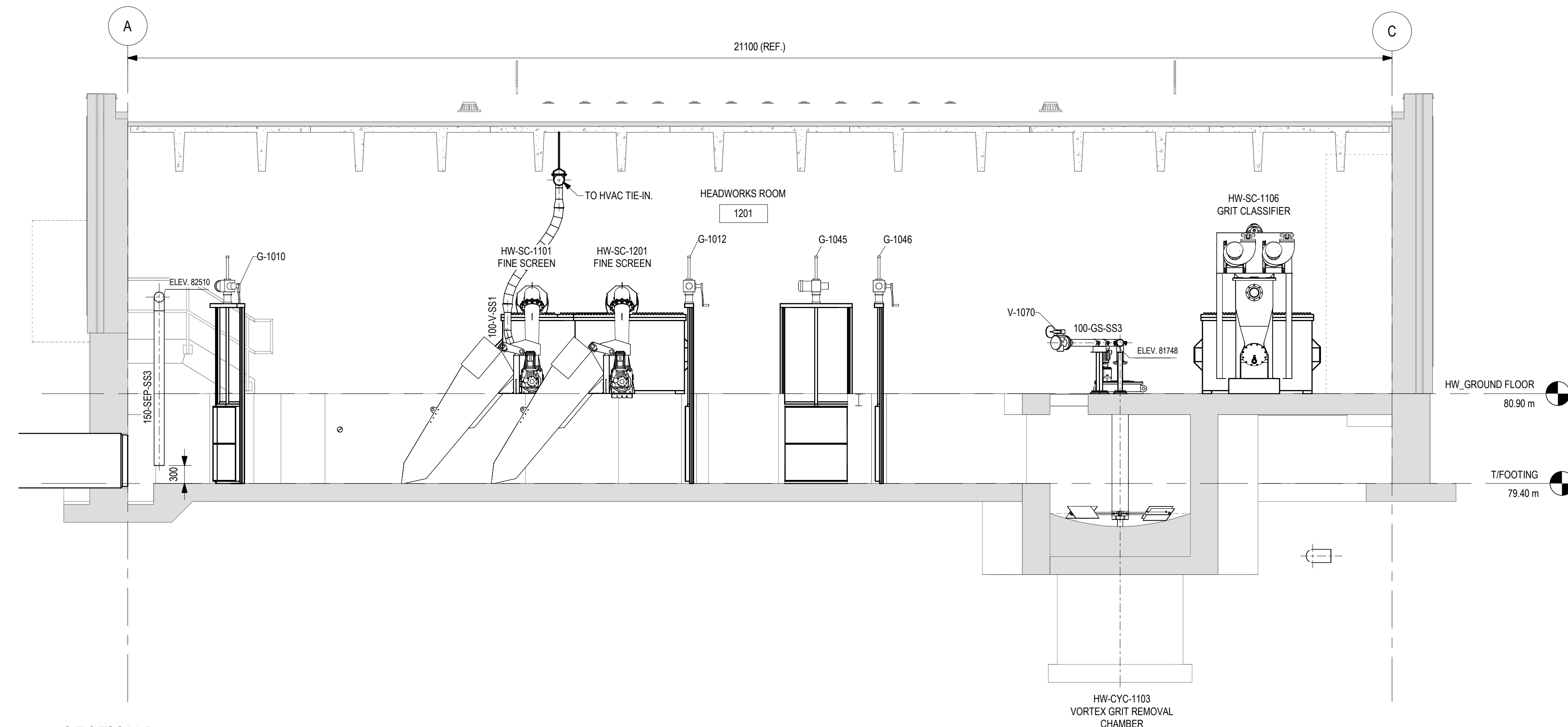
3D - GRIT CLASSIFIER



SECTION A
P1301 1:50



3D - FINE SCREENS



SECTION B
P1301 1:50

DATE	NO.	REVISION
2025/01/23	2	ISSUED FOR TENDER
2024/08/23	1	ISSUED FOR ECA APPROVAL

THE DRAWINGS, ARRANGEMENTS, ANNOTATIONS AND GRAPHICAL PRESENTATIONS ON THIS DOCUMENT ARE THE PROPERTY OF EVB ENGINEERING WHO RETAINS OWNERSHIP AND AUTHORSHIP OF THIS DOCUMENT IN ITS ENTIRETY. THIS DOCUMENT IS AN INSTRUMENT OF SERVICE AND IS THE INTELLECTUAL AND PHYSICAL PROPERTY OF EVB ENGINEERING. AUTHORIZED USE OF THIS DRAWING IS GRANTED SOLELY FOR THE PURPOSE OF THIS SPECIFIC PROJECT AND LOCATION, AND NOT FOR CONSTRUCTION OR USE FOR ANY OTHER PROJECT. COPYRIGHT © 2024 EVB ENGINEERING.



CONSULTANT:
EVB ENGINEERING
 800 SECOND STREET WEST
 CORNWALL, ONTARIO CANADA, K6J 1H6
 TEL: 613-835-3775 | FAX: 613-935-6450
 WEBSITE: EVBengineering.com

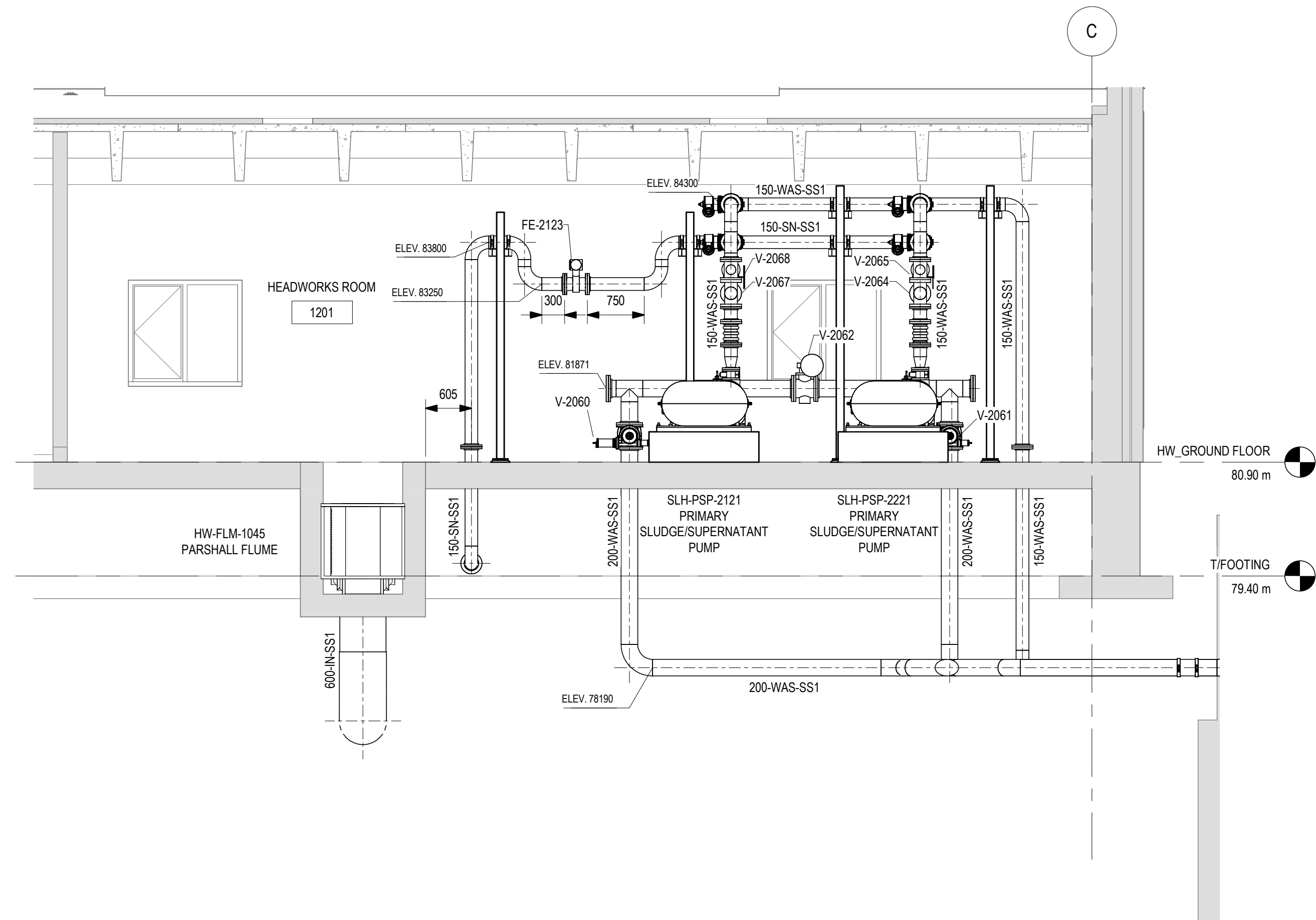
SUB-CONSULTANT:
CIMA+

CLIENT:
Greater Napanee
 SPECIALIST FOR MANY REGIONS

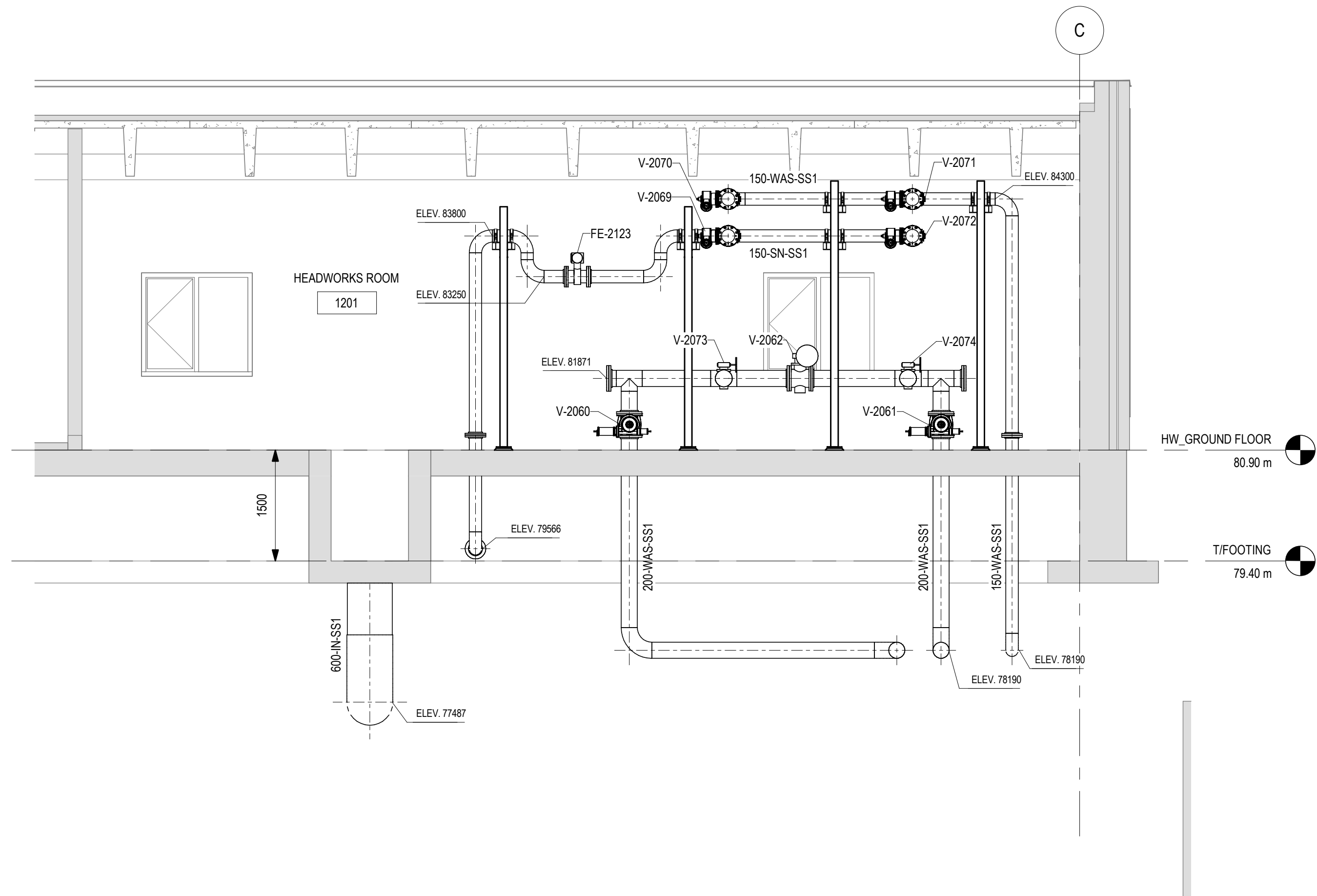
PROJECT:
NEW NAPANEE WPCP

TITLE:
SECTIONS

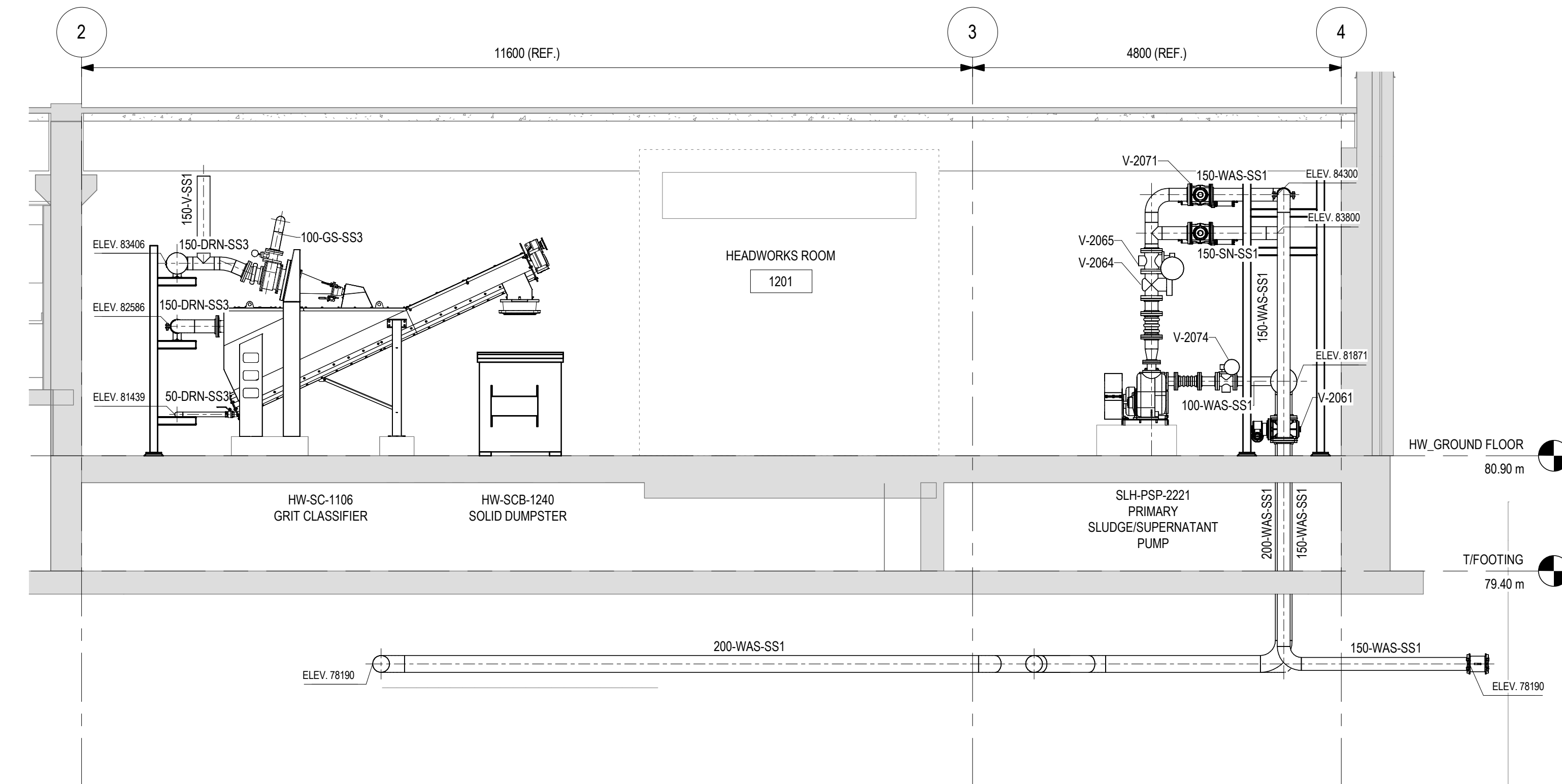
SCALE: 1:50	JOB NO. 22001
DESIGNED BY: K.B.W./J.B.	DATE: 2025/01/23
DRAWN BY: K.B.W.	DRAWING NO. P1301
CHECKED BY: J.B.	



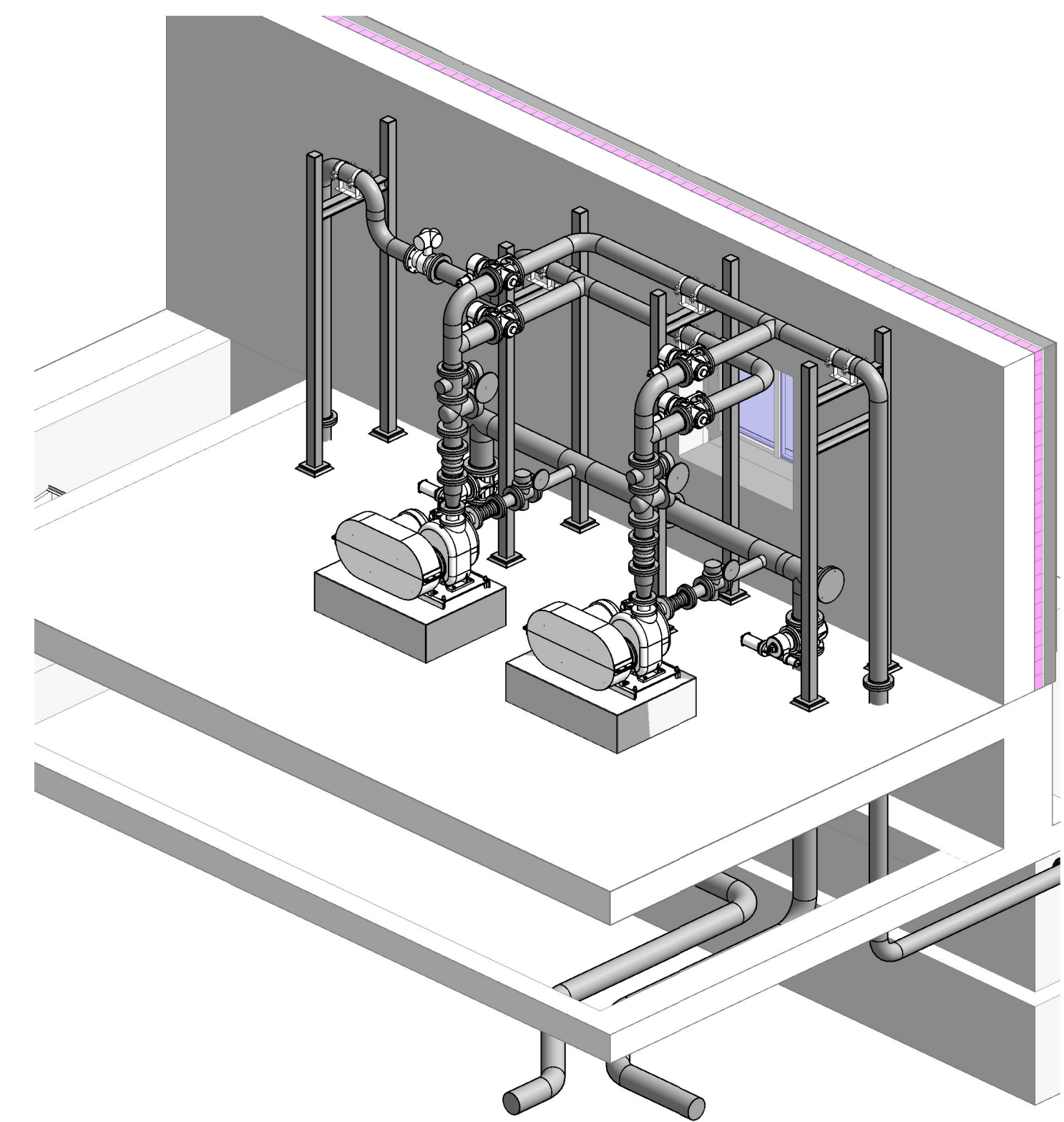
C SECTION C
P1302 1:50



D SECTION D
P1302 1:50



E SECTION E
P1302 1:50



3D - PRIMARY SLUDGE/SUPERNATANT PUMPS

DATE	NO.	REVISION
2025/01/23	2	ISSUED FOR TENDER
2024/08/23	1	ISSUED FOR ECA APPROVAL

THE DRAWINGS, ARRANGEMENTS, ANNOTATIONS AND GRAPHICAL PRESENTATIONS ON THIS DOCUMENT ARE THE PROPERTY OF EVB ENGINEERING WHO RETAINS OWNERSHIP AND AUTHORITY OF THIS DOCUMENT IN ITS ENTIRETY. THIS DOCUMENT IS AN INSTRUMENT OF SERVICE AND IS THE INTELLECTUAL AND PHYSICAL PROPERTY OF EVB ENGINEERING. AUTHORIZED USE OF THIS DRAWING IS GRANTED SOLELY FOR THE PURPOSE OF THIS SPECIFIC PROJECT AND LOCATION, AND NOT FOR CONSTRUCTION OR USE FOR ANY OTHER PROJECT. COPYRIGHT © 2024 EVB ENGINEERING.



CONSULTANT:
EVB ENGINEERING
 800 SECOND STREET WEST
 CORNWALL, ONTARIO CANADA, K6J 1H6
 TEL: 613-935-3775 | FAX: 613-935-6450
 WEBSITE: EVBengineering.com

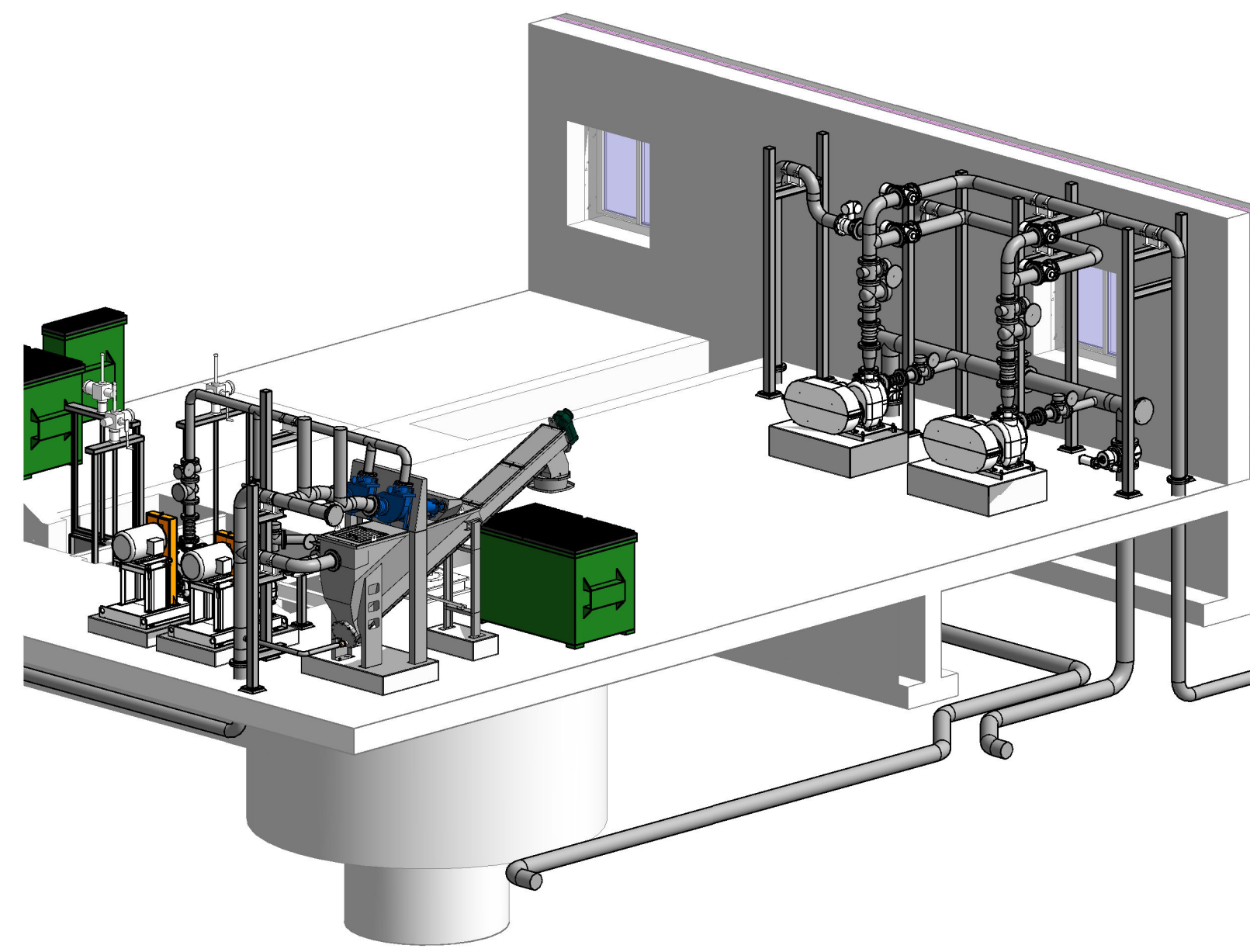
SUB-CONSULTANT:
CIMA+

CLIENT:
Greater Napanee
OFFICE FOR WATER RESOURCES

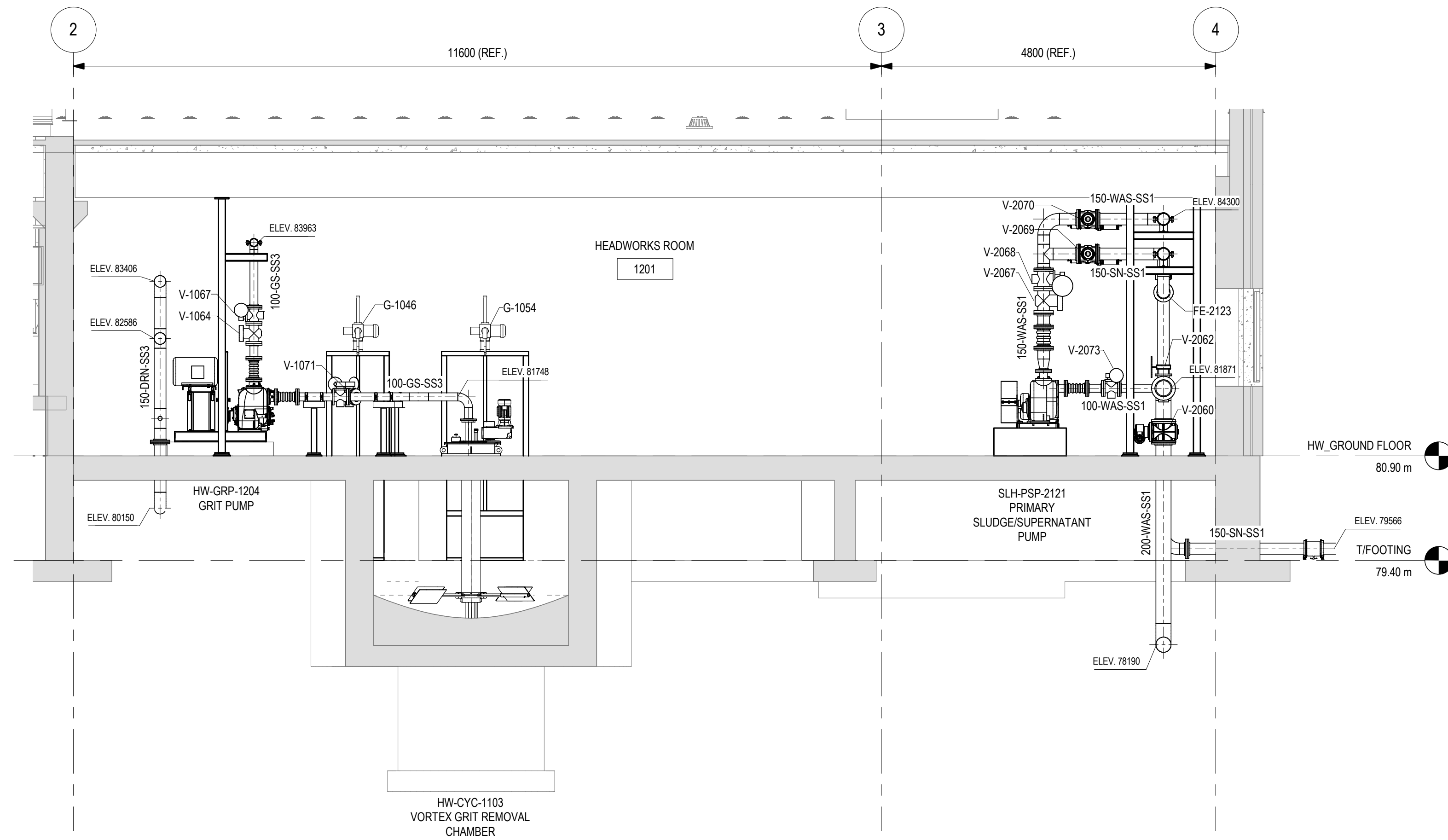
PROJECT:
NEW NAPANEE WPCP

TITLE:
SECTIONS

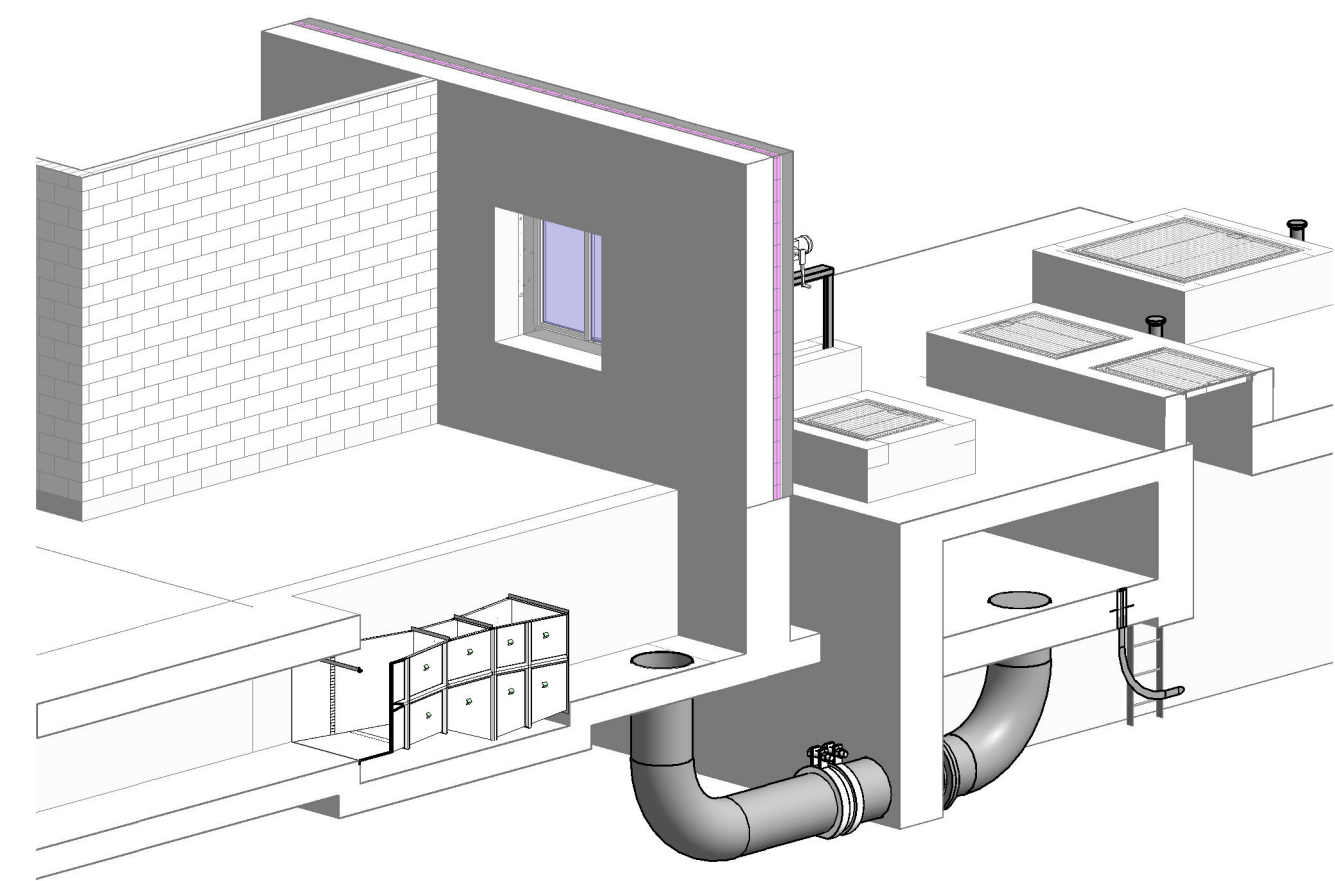
SCALE: 1:50	JOB NO: 22001
DESIGNED BY: K.B.W./J.B.	DATE: 2025/01/23
DRAWN BY: K.B.W.	DRAWING NO. P1302
CHECKED BY: J.B.	



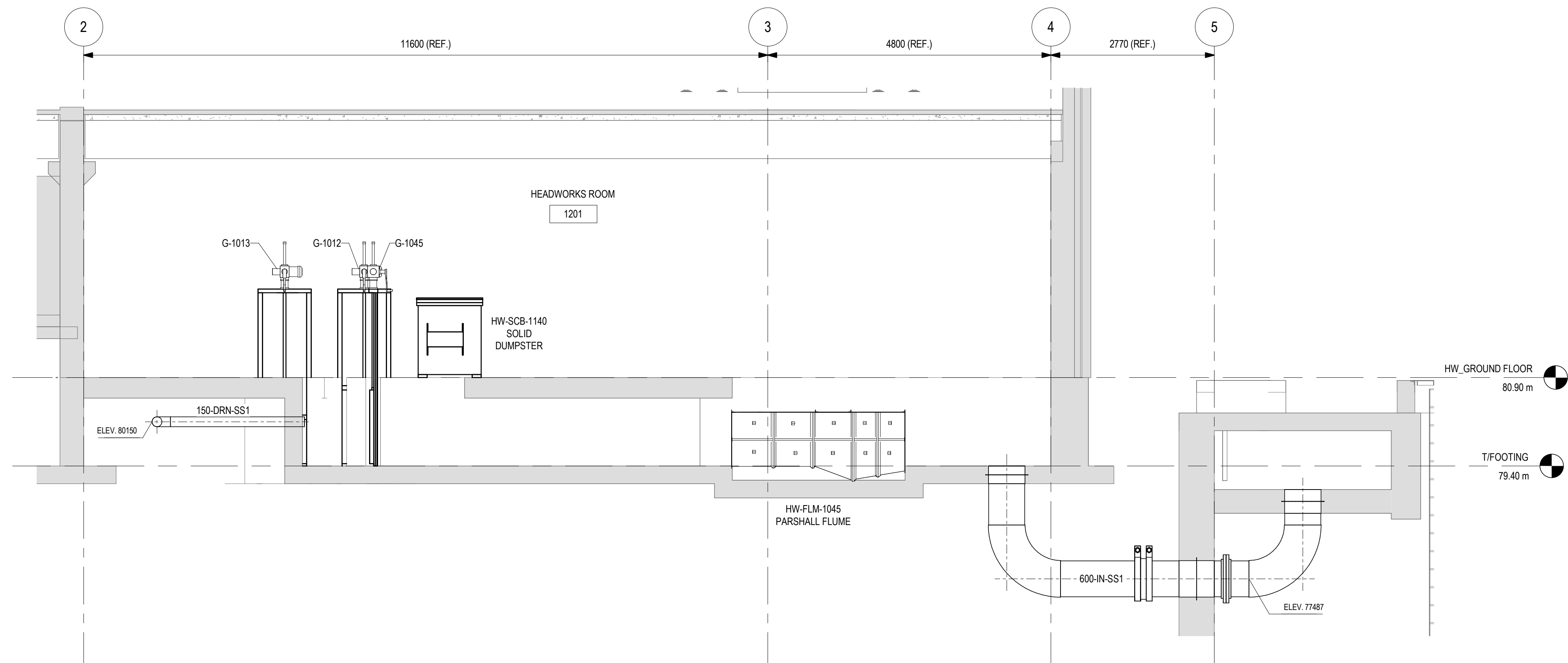
3D - GRIT PUMPS & PRIMARY SLUDGE/SUPERNATANT PUMPS



F SECTION F
P1303 1:50



3D - OUTLET TO SPLITTER BOX RSP-T-1150



G SECTION G
P1303 1:50

DATE	NO.	REVISION
2025/01/23	2	ISSUED FOR TENDER
2024/08/23	1	ISSUED FOR ECA APPROVAL

THE DRAWINGS, ARRANGEMENTS, ANNOTATIONS AND GRAPHICAL PRESENTATIONS ON THIS DOCUMENT ARE THE PROPERTY OF EVB ENGINEERING WHO RETAINS OWNERSHIP AND AUTHORITY OF THIS DOCUMENT IN ITS ENTIRETY. THIS DOCUMENT IS AN INSTRUMENT OF SERVICE AND IS THE INTELLECTUAL AND PHYSICAL PROPERTY OF EVB ENGINEERING. AUTHORIZED USE OF THIS DRAWING IS GRANTED SOLELY FOR THE PURPOSE OF THIS SPECIFIC PROJECT AND LOCATION, AND NOT FOR CONSTRUCTION OR USE FOR ANY OTHER PROJECT. COPYRIGHT © 2024 EVB ENGINEERING.



CONSULTANT:
EVB ENGINEERING
 800 SECOND STREET WEST
 CORNWALL, ONTARIO CANADA, K6J 1H6
 TEL: 613-935-3775 | FAX: 613-935-6450
 WEBSITE: EVBengineering.com

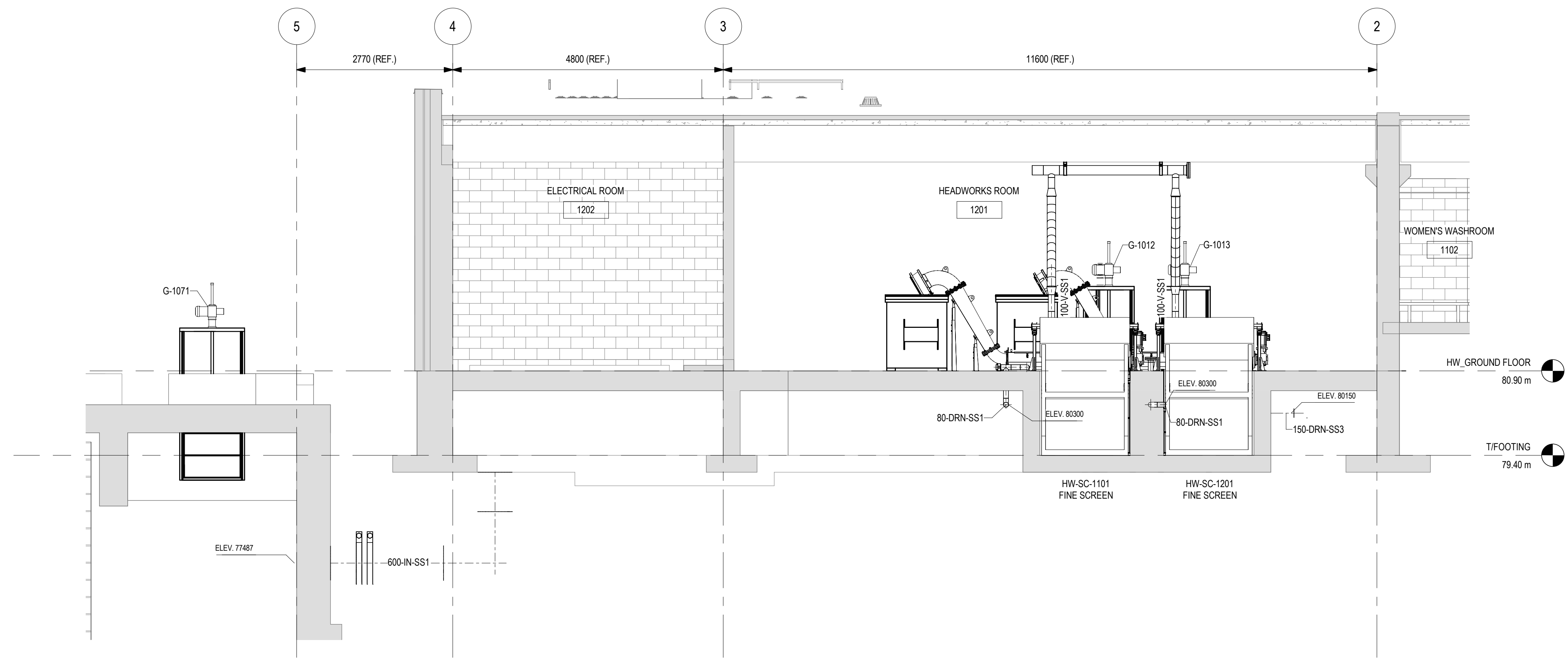
SUB-CONSULTANT:
CIMA+

CLIENT:
Greater Napanee
 GREATER FOR BETTER REGION

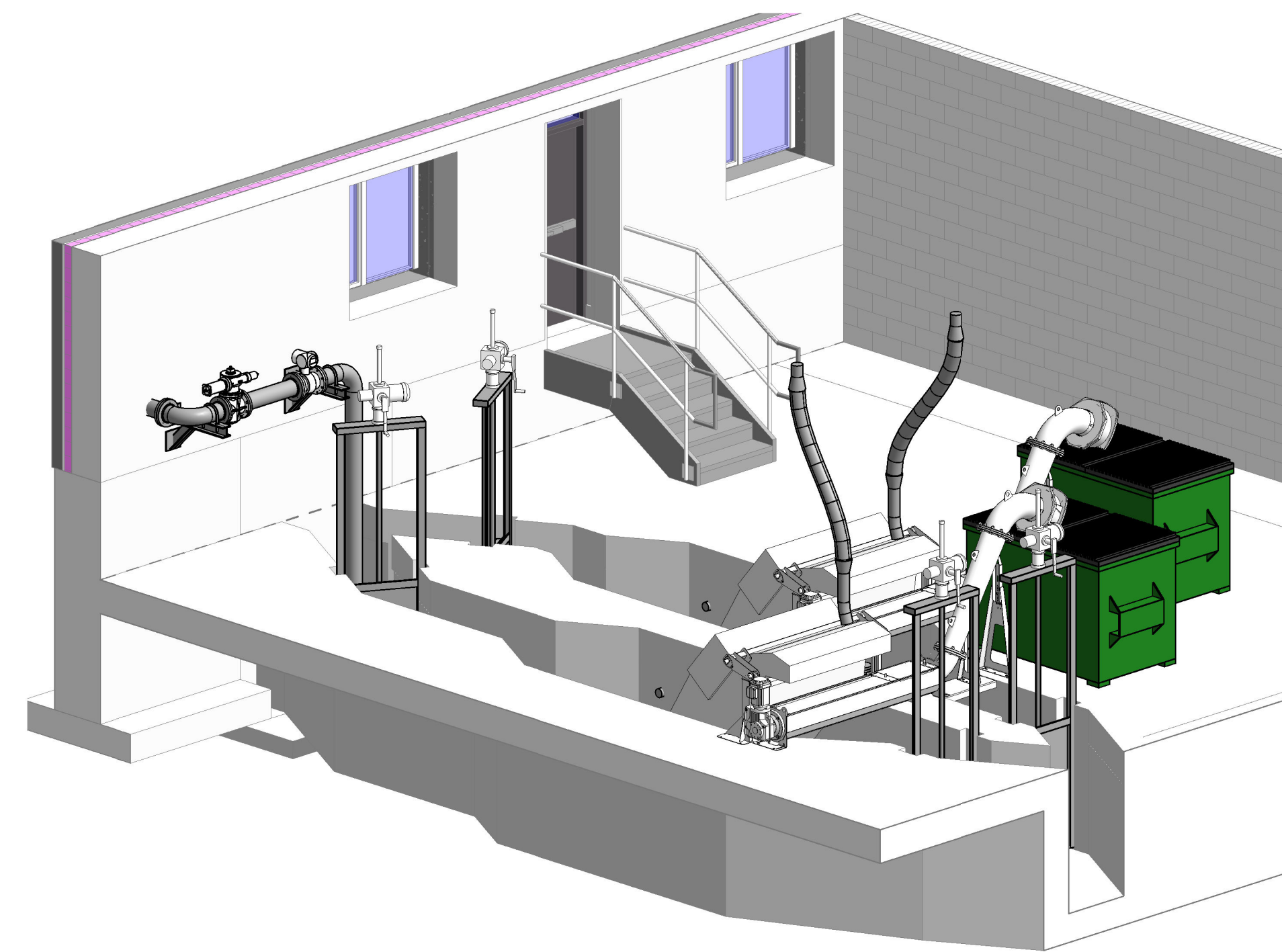
PROJECT:
NEW NAPANEE WPCP

TITLE:
SECTIONS

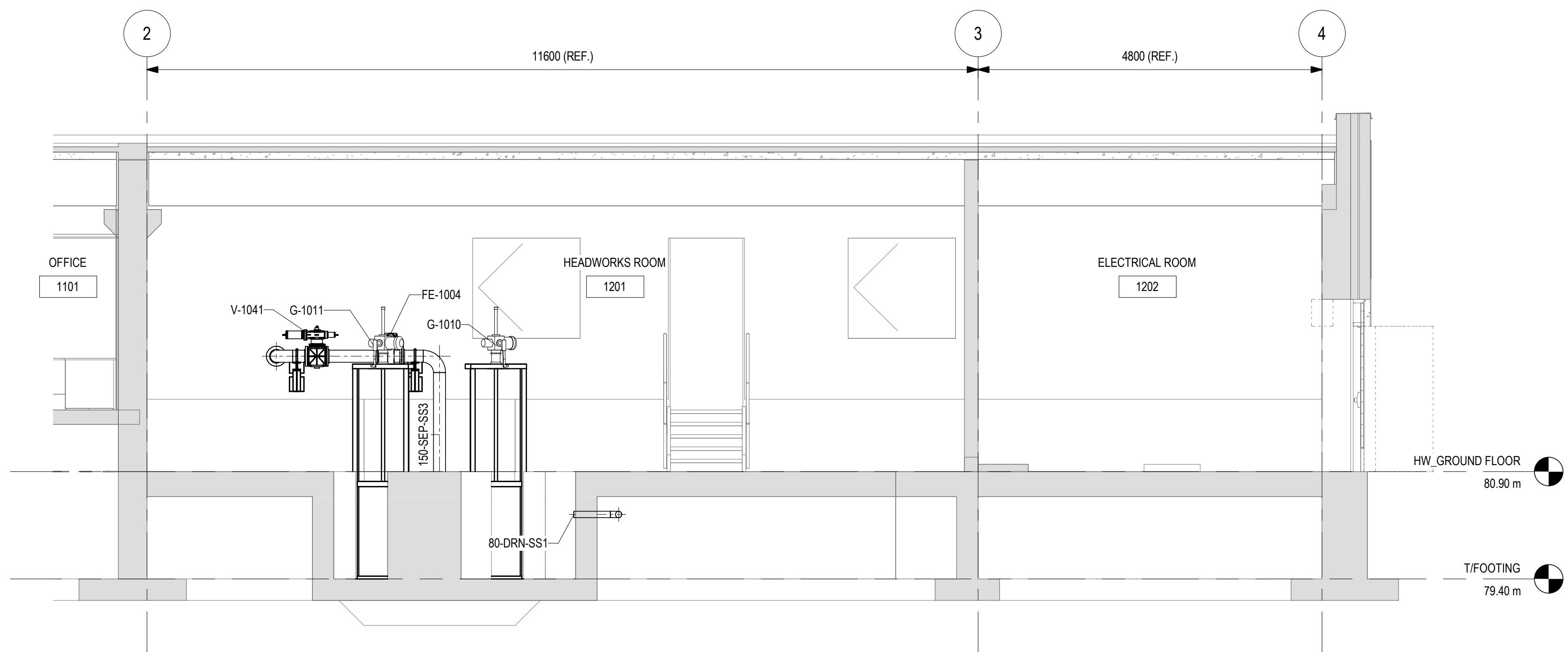
SCALE: 1:50	JOB NO: 22001
DESIGNED BY: K.B.W./J.B.	DATE: 2025/01/23
DRAWN BY: K.B.W.	DRAWING NO. P1303
CHECKED BY: J.B.	



J SECTION J
1:50



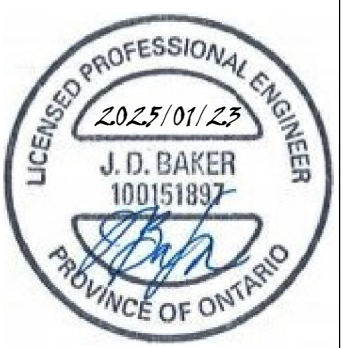
3D - SCREENING AREA VIEW



K SECTION K
1:50

DATE	NO.	REVISION
2025/01/23	2	ISSUED FOR TENDER
2024/08/23	1	ISSUED FOR ECA APPROVAL

THE DRAWINGS, ARRANGEMENTS, ANNOTATIONS AND GRAPHICAL PRESENTATIONS ON THIS DOCUMENT ARE THE PROPERTY OF EVB ENGINEERING WHO RETAINS OWNERSHIP AND AUTHORSHIP OF THIS DOCUMENT IN ITS ENTIRETY. THIS DOCUMENT IS AN INSTRUMENT OF SERVICE AND IS THE INTELLECTUAL AND PHYSICAL PROPERTY OF EVB ENGINEERING. AUTHORIZED USE OF THIS DRAWING IS GRANTED SOLELY FOR THE PURPOSE OF THIS SPECIFIC PROJECT AND LOCATION, AND NOT FOR CONSTRUCTION OR USE FOR ANY OTHER PROJECT.
COPYRIGHT © 2024 EVB ENGINEERING.



CONSULTANT:
EVB ENGINEERING
 800 SECOND STREET WEST
 CORNWALL, ONTARIO CANADA, K6J 1H6
 TEL: 613-935-3775 | FAX: 613-935-6450
 WEBSITE: EVBengineering.com

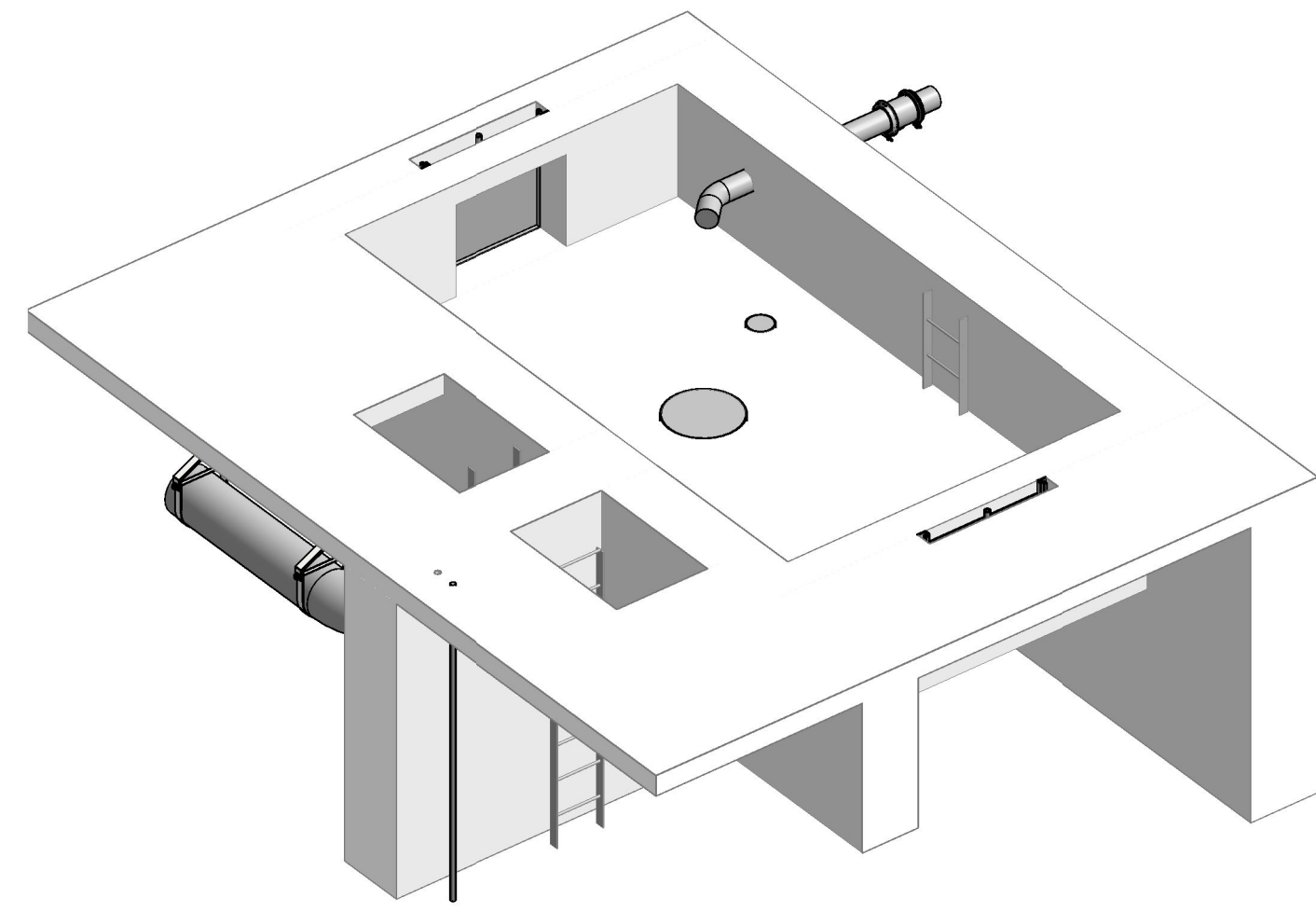
SUB-CONSULTANT:
CIMA+

CLIENT:
Greater Napanee
 GREATER FOR MANY REASONS

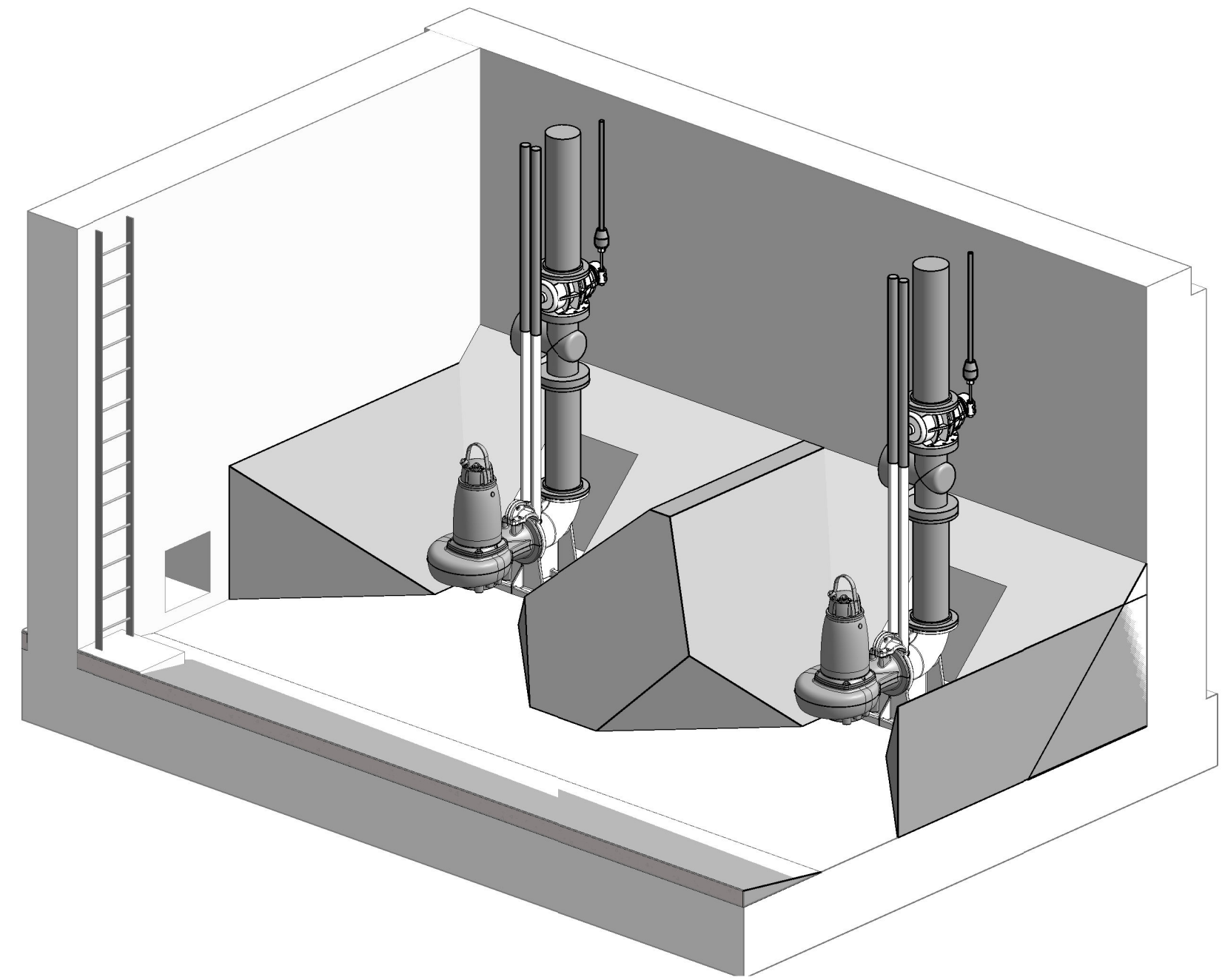
PROJECT:
NEW NAPANEE WPCP

TITLE:
SECTIONS

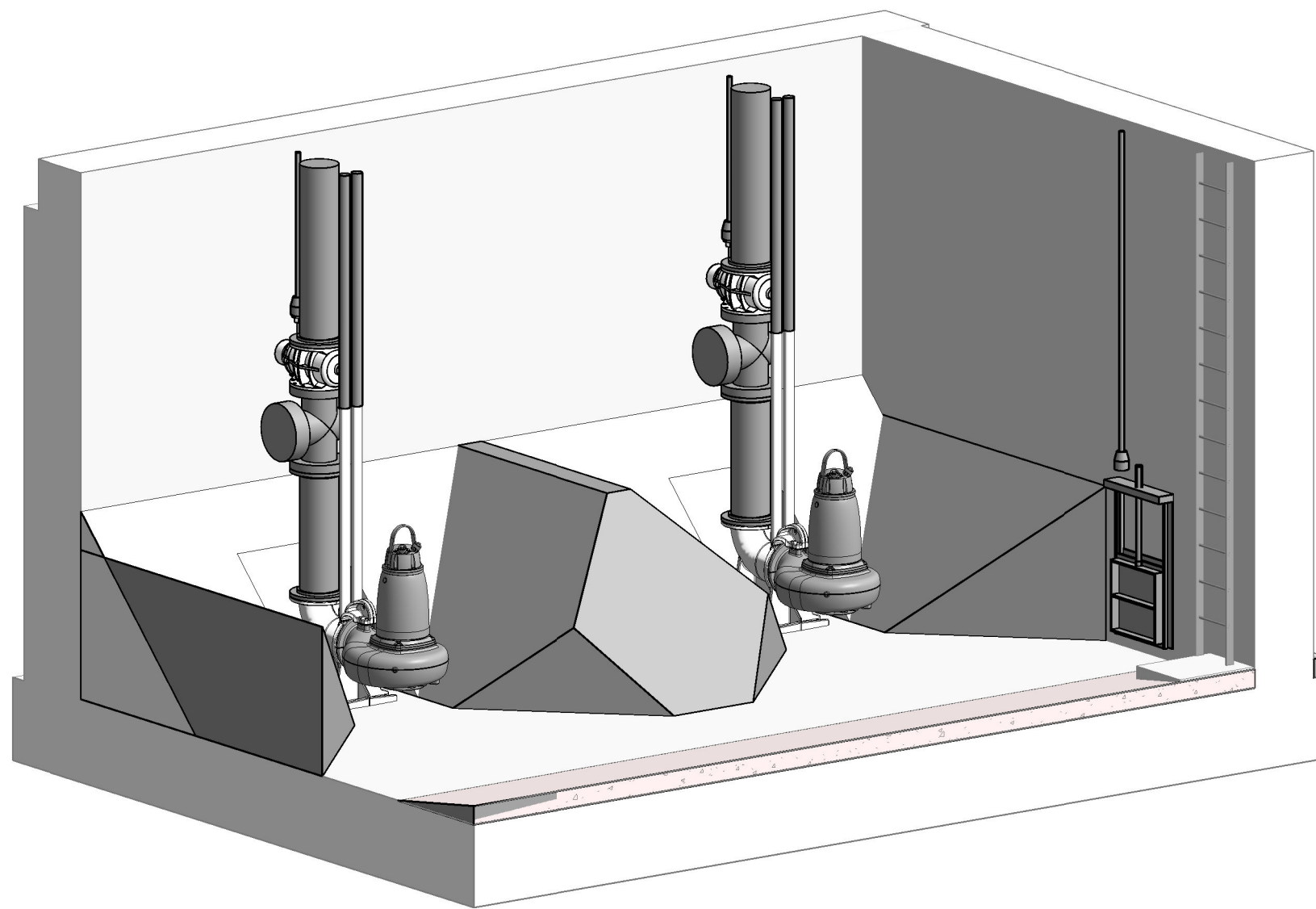
SCALE: 1:50	JOB NO: 22001
DESIGNED BY: K.B.W./J.B.	DATE: 2025/01/23
DRAWN BY: K.B.W.	DRAWING NO. P1304
CHECKED BY: J.B.	



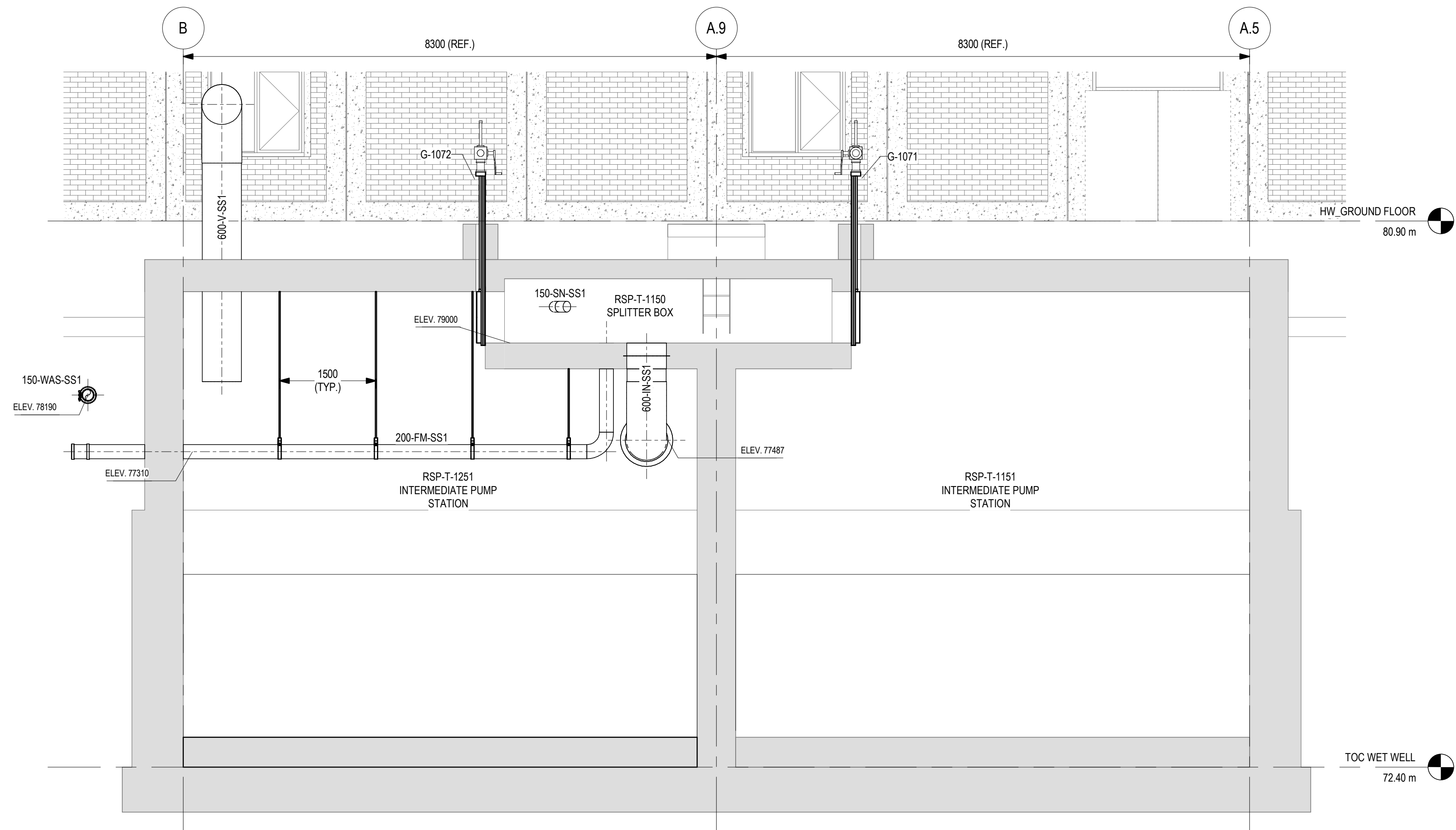
3D - INTERMEDIATE PUMP STATION - RSP-T-1150



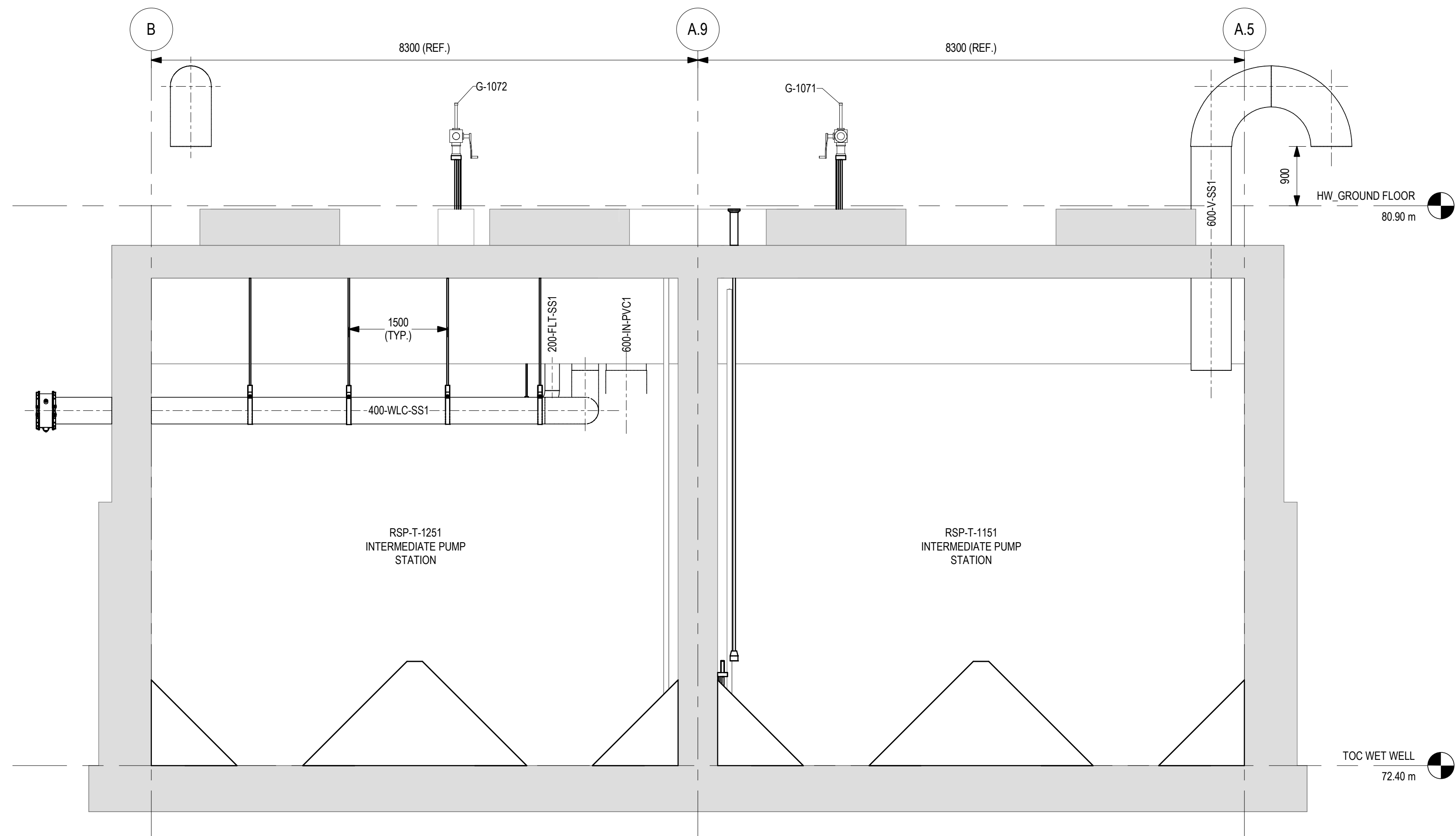
3D - INTERMEDIATE PUMP STATION - RSP-T-1251



3D - INTERMEDIATE PUMP STATION - RSP-T-1151



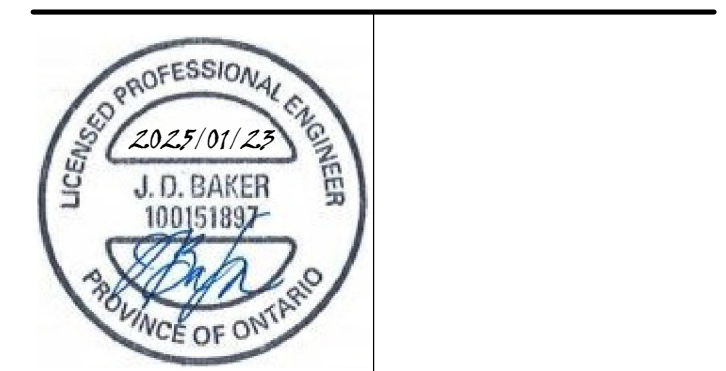
AA SECTION AA
1:50



AB SECTION AB
1:50

DATE	NO.	REVISION
2025/01/23	2	ISSUED FOR TENDER
2024/08/23	1	ISSUED FOR ECA APPROVAL

THE DRAWINGS, ARRANGEMENTS, ANNOTATIONS AND GRAPHICAL PRESENTATIONS ON THIS DOCUMENT ARE THE PROPERTY OF EVB ENGINEERING WHO RETAINS OWNERSHIP AND AUTHORSHIP OF THIS DOCUMENT IN ITS ENTIRETY. THIS DOCUMENT IS AN INSTRUMENT OF SERVICE AND IS THE INTELLECTUAL AND PHYSICAL PROPERTY OF EVB ENGINEERING. AUTHORIZED USE OF THIS DRAWING IS GRANTED SOLELY FOR THE PURPOSE OF THIS SPECIFIC PROJECT AND LOCATION, AND NOT FOR CONSTRUCTION OR USE FOR ANY OTHER PROJECT. COPYRIGHT © 2024 EVB ENGINEERING.



CONSULTANT:

800 SECOND STREET WEST
CORNWALL, ONTARIO CANADA, K6J 1H6
TEL: 613-835-3775 | FAX: 613-935-6450
WEBSITE: EVBengineering.com

SUB-CONSULTANT:

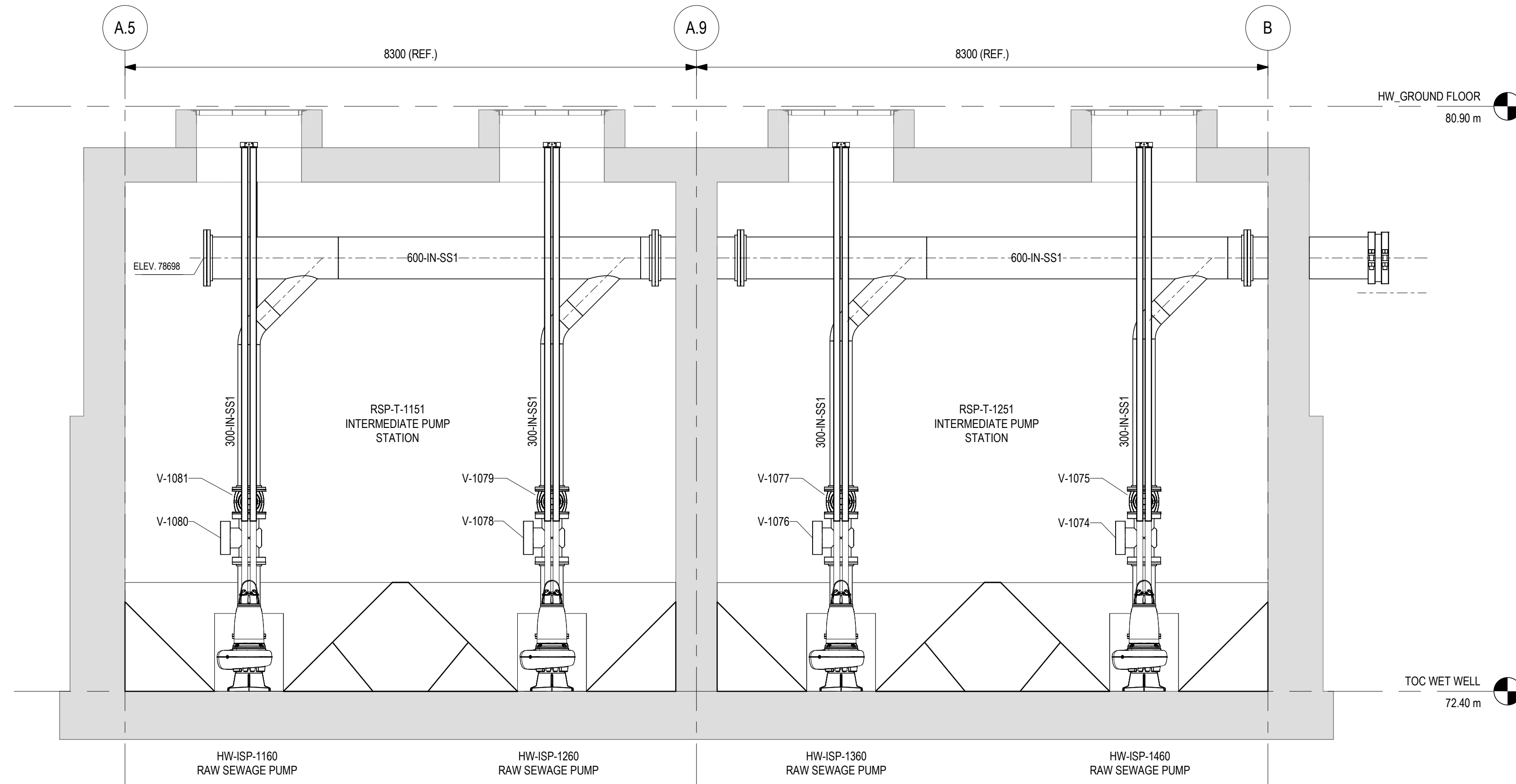
CLIENT:

GREATER FOR MANY REASONS

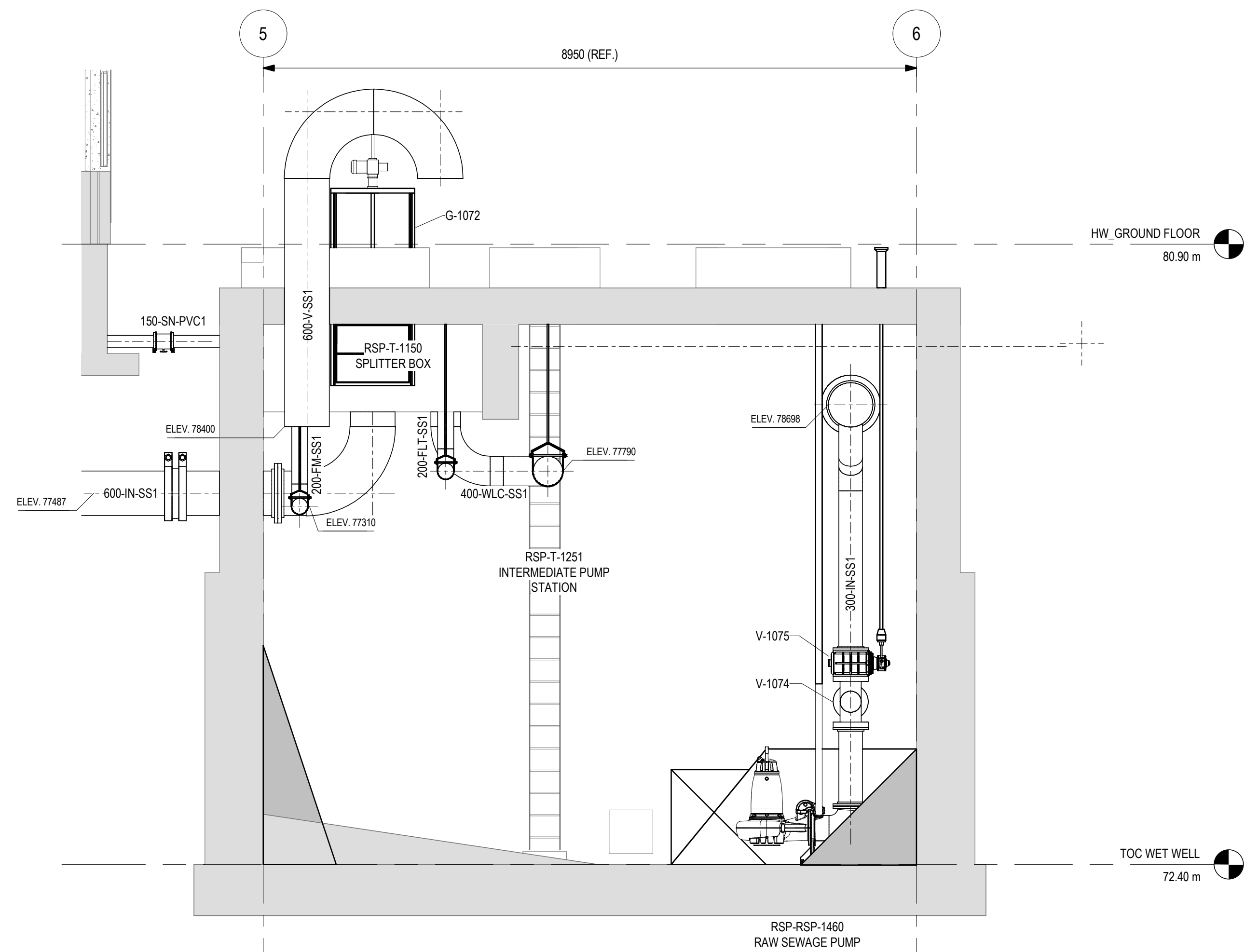
PROJECT:
NEW NAPANEE WPCP

TITLE:
SECTIONS

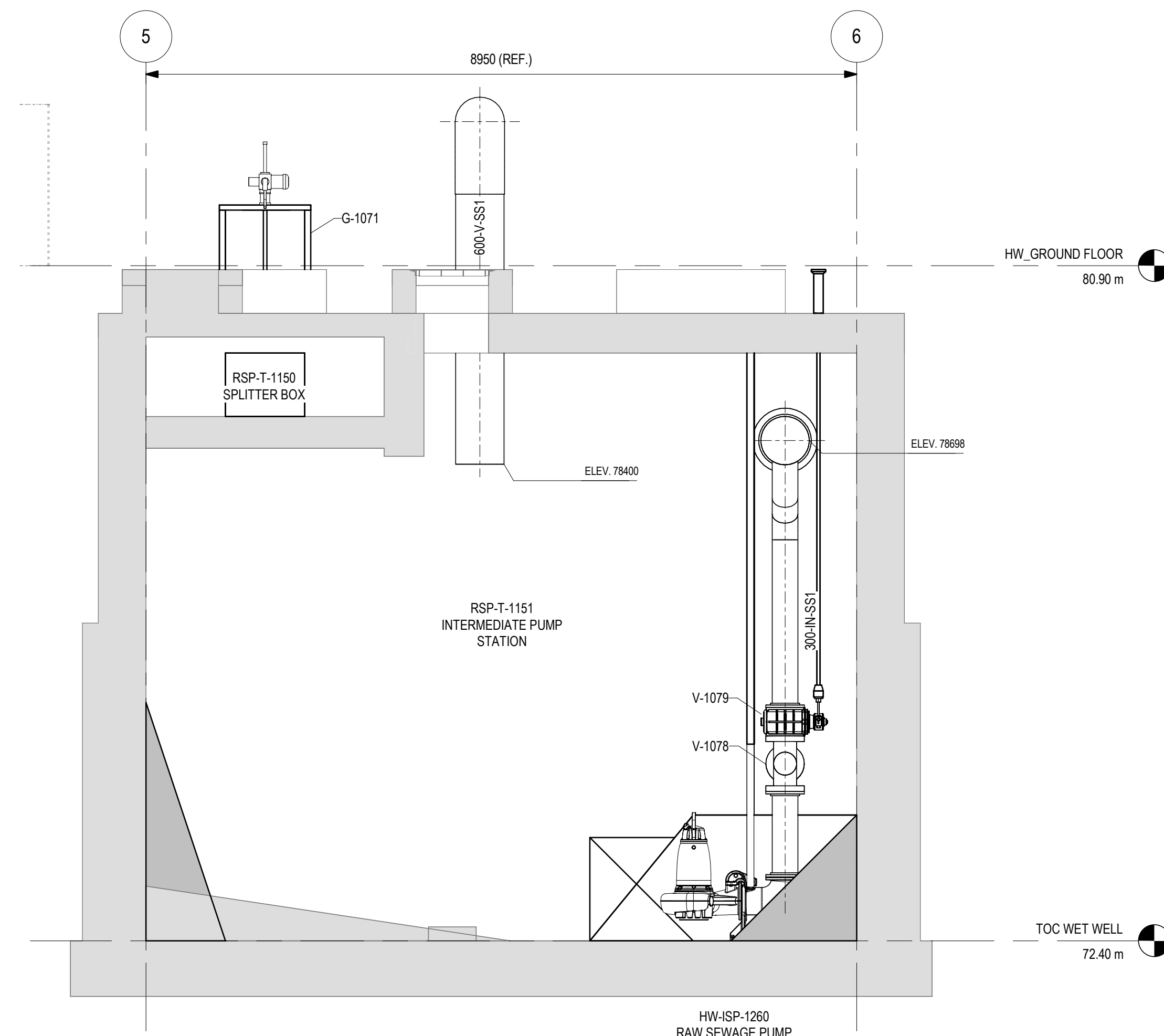
SCALE: 1:50	JOB NO: 22001
DESIGNED BY: K.B.W./J.B.	DATE: 2025/01/23
DRAWN BY: K.B.W.	DRAWING NO. P1305
CHECKED BY: J.B.	



AC SECTION AC
P1306 1:50



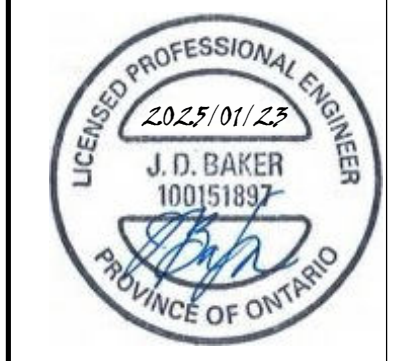
AD SECTION AD
P1306 1:50



AE SECTION AE
P1306 1:50

DATE	NO.	REVISION
2025/01/23	2	ISSUED FOR TENDER
2024/08/23	1	ISSUED FOR ECA APPROVAL

THE DRAWINGS, ARRANGEMENTS, ANNOTATIONS AND GRAPHICAL PRESENTATIONS ON THIS DOCUMENT ARE THE PROPERTY OF EVB ENGINEERING WHO RETAINS OWNERSHIP AND AUTHORSHIP OF THIS DOCUMENT IN ITS ENTIRETY. THIS DOCUMENT IS AN INSTRUMENT OF SERVICE AND IS THE INTELLECTUAL AND PHYSICAL PROPERTY OF EVB ENGINEERING. AUTHORIZED USE OF THIS DRAWING IS GRANTED SOLELY FOR THE PURPOSE OF THIS SPECIFIC PROJECT AND LOCATION, AND NOT FOR CONSTRUCTION OR USE FOR ANY OTHER PROJECT. COPYRIGHT © 2024 EVB ENGINEERING.



CONSULTANT:

 800 SECOND STREET WEST
 CORNWALL, ONTARIO CANADA, K6J 1H6
 TEL: 613-935-3775 | FAX: 613-935-6450
 WEBSITE: EVBengineering.com

SUB-CONSULTANT:

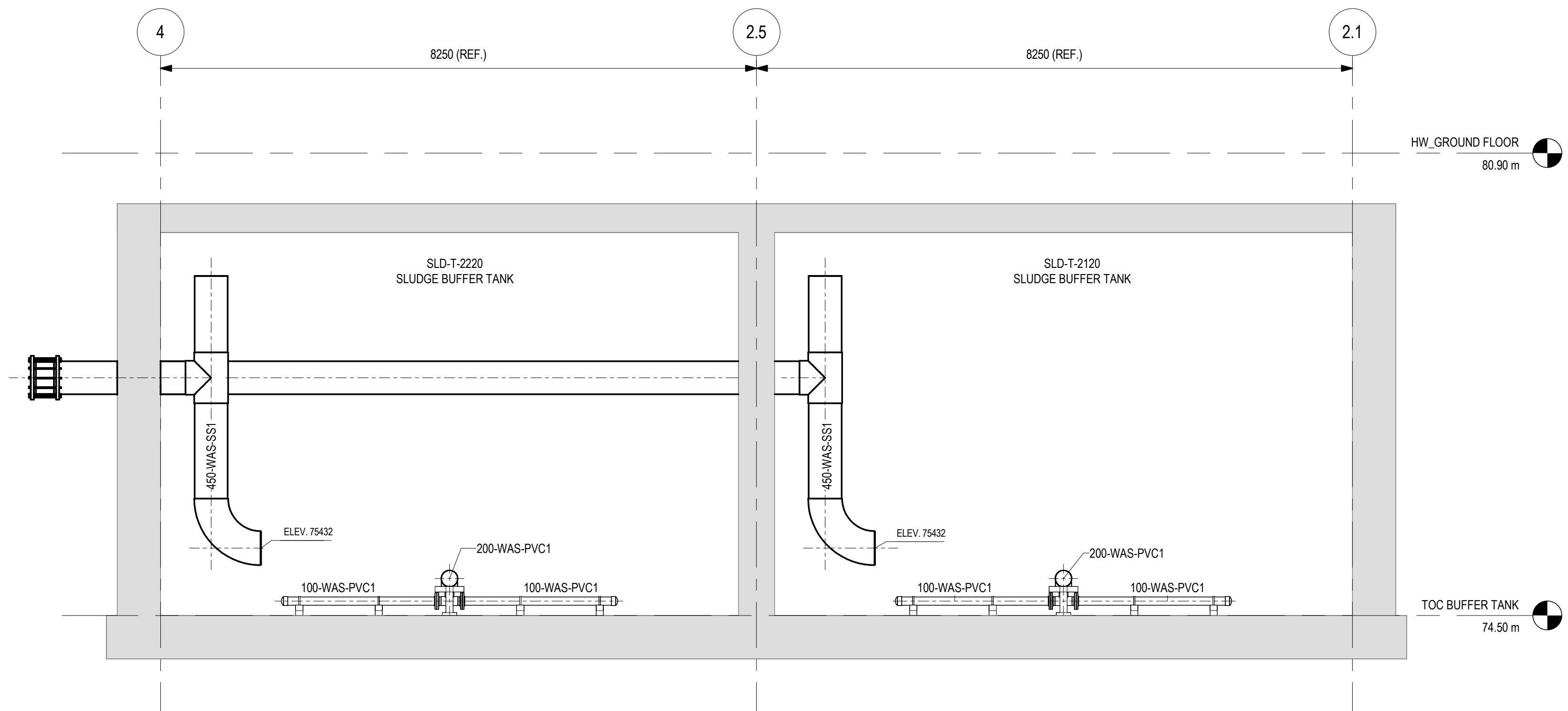
CLIENT:

 GREATER FOR MANY REGIONS

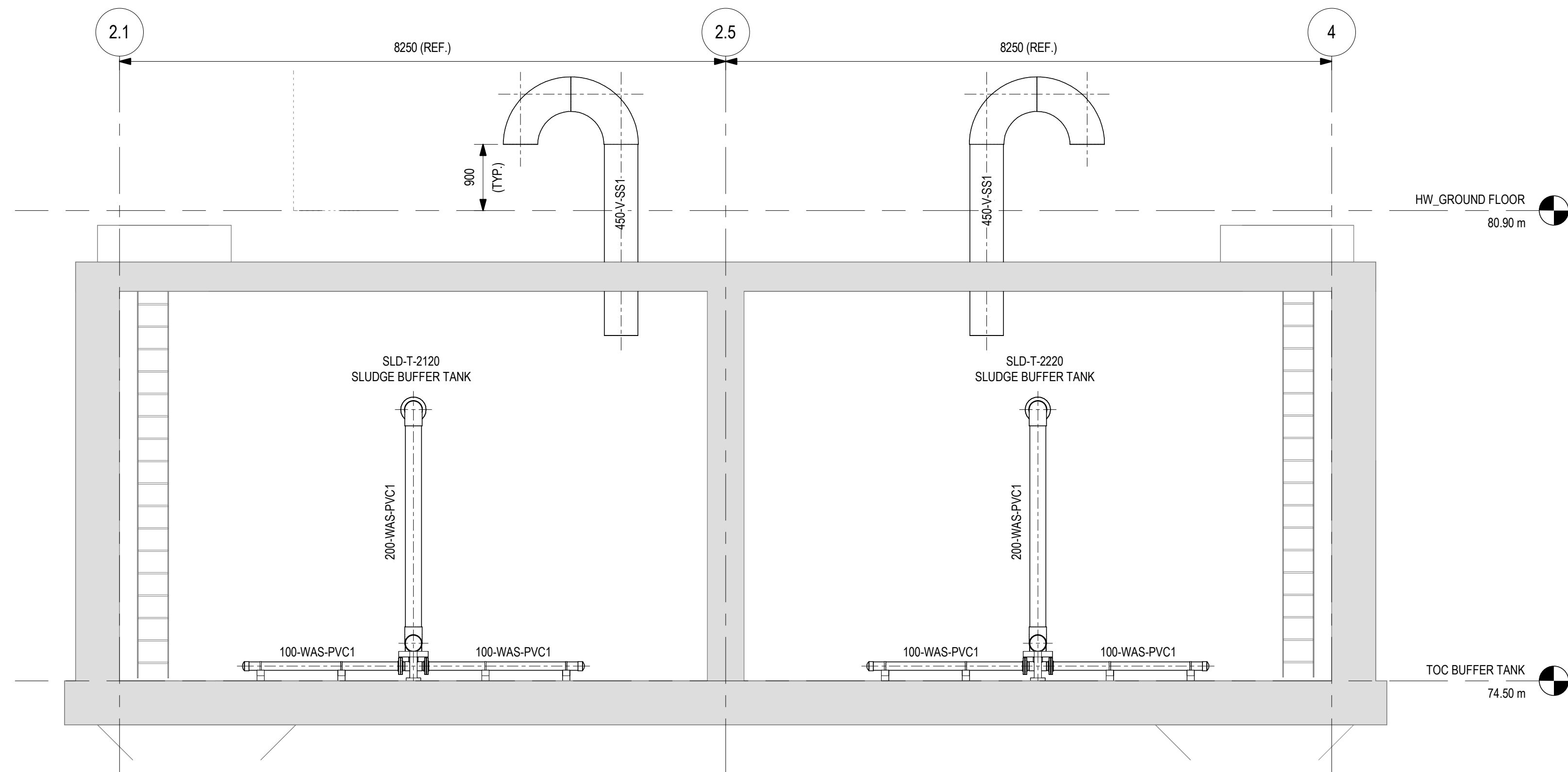
PROJECT:
NEW NAPANEE WPCP

TITLE:
SECTIONS

SCALE: 1:50	JOB NO. 22001
DESIGNED BY: K.B.W./J.B.	DATE: 2025/01/23
DRAWN BY: K.B.W.	DRAWING NO. P1306
CHECKED BY: J.B.	



BA SECTION BA
1:50



BB SECTION BB
1:50

DATE	NO.	REVISION
2025/01/23	2	ISSUED FOR TENDER
2024/08/23	1	ISSUED FOR ECA APPROVAL

THE DRAWINGS, ARRANGEMENTS, ANNOTATIONS AND GRAPHICAL PRESENTATIONS ON THIS DOCUMENT ARE THE PROPERTY OF EVB ENGINEERING WHO RETAINS OWNERSHIP AND AUTHORITY OF THIS DOCUMENT IN ITS ENTIRETY. THIS DOCUMENT IS AN INSTRUMENT OF SERVICE AND IS THE INTELLECTUAL AND PHYSICAL PROPERTY OF EVB ENGINEERING. AUTHORIZED USE OF THIS DRAWING IS GRANTED SOLELY FOR THE PURPOSE OF THIS SPECIFIC PROJECT AND LOCATION, AND NOT FOR CONSTRUCTION OR USE FOR ANY OTHER PROJECT. COPYRIGHT © 2024 EVB ENGINEERING.



CONSULTANT:
EVB ENGINEERING
 800 SECOND STREET WEST
 CORNWALL, ONTARIO CANADA, K6J 1H6
 TEL: 613-935-3775 | FAX: 613-935-6450
 WEBSITE: EVBengineering.com

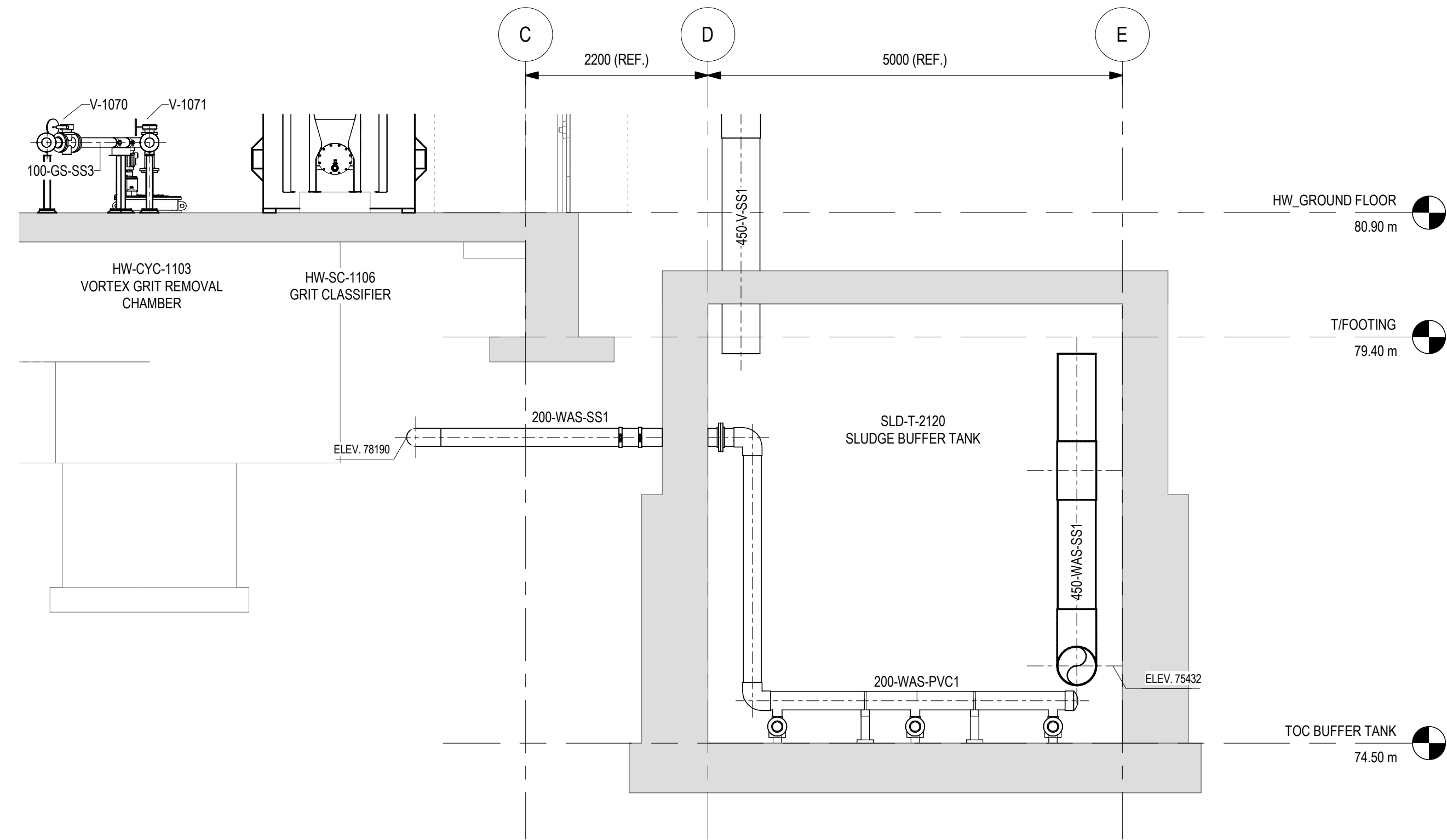
SUB-CONSULTANT:
CIMA+

CLIENT:
Greater Napanee
 GREATER FOR MANY REASONS

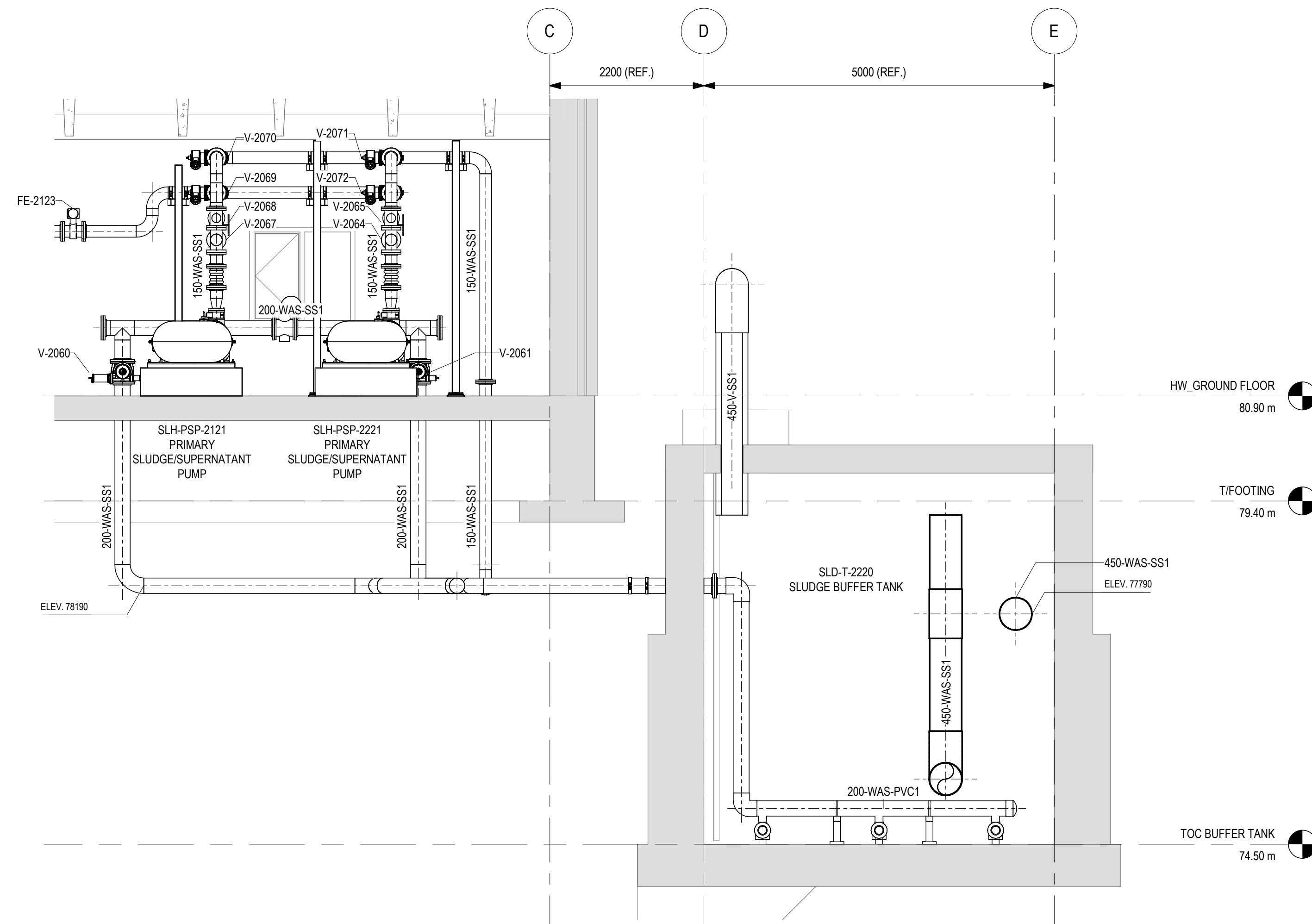
PROJECT:
NEW NAPANEE WPCP

TITLE:
SECTIONS

SCALE: 1:50	JOB NO: 22001
DESIGNED BY: K.B.W./J.B.	DATE: 2025/01/23
DRAWN BY: K.B.W.	DRAWING NO. P1307
CHECKED BY: J.B.	



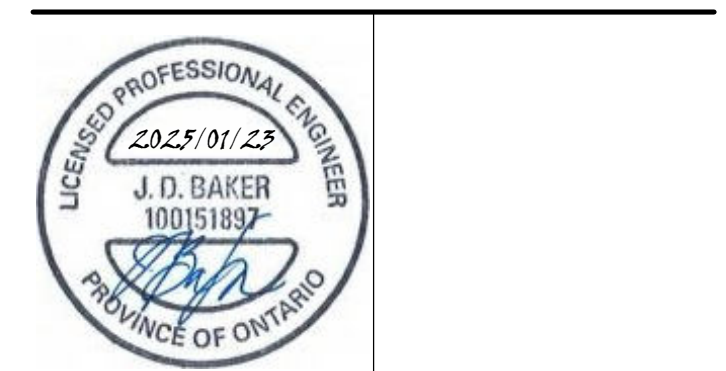
BC SECTION BC
P1308 1:50



BD SECTION BD
P1308 1:50

DATE	NO.	REVISION
2025/01/23	2	ISSUED FOR TENDER
2024/08/23	1	ISSUED FOR ECA APPROVAL

THE DRAWINGS, ARRANGEMENTS, ANNOTATIONS AND GRAPHICAL PRESENTATIONS ON THIS DOCUMENT ARE THE PROPERTY OF EVB ENGINEERING WHO RETAINS OWNERSHIP AND AUTHORITY OF THIS DOCUMENT IN ITS ENTIRETY. THIS DOCUMENT IS AN INSTRUMENT OF SERVICE AND IS THE INTELLECTUAL AND PHYSICAL PROPERTY OF EVB ENGINEERING. AUTHORIZED USE OF THIS DRAWING IS GRANTED SOLELY FOR THE PURPOSE OF THIS SPECIFIC PROJECT AND LOCATION, AND NOT FOR CONSTRUCTION OR USE FOR ANY OTHER PROJECT. COPYRIGHT © 2024 EVB ENGINEERING.



CONSULTANT:
EVB ENGINEERING
 800 SECOND STREET WEST
 CORNWALL, ONTARIO CANADA, K6J 1H6
 TEL: 613-835-3775 | FAX: 613-935-6450
 WEBSITE: EVBengineering.com

SUB-CONSULTANT:
CIMA+

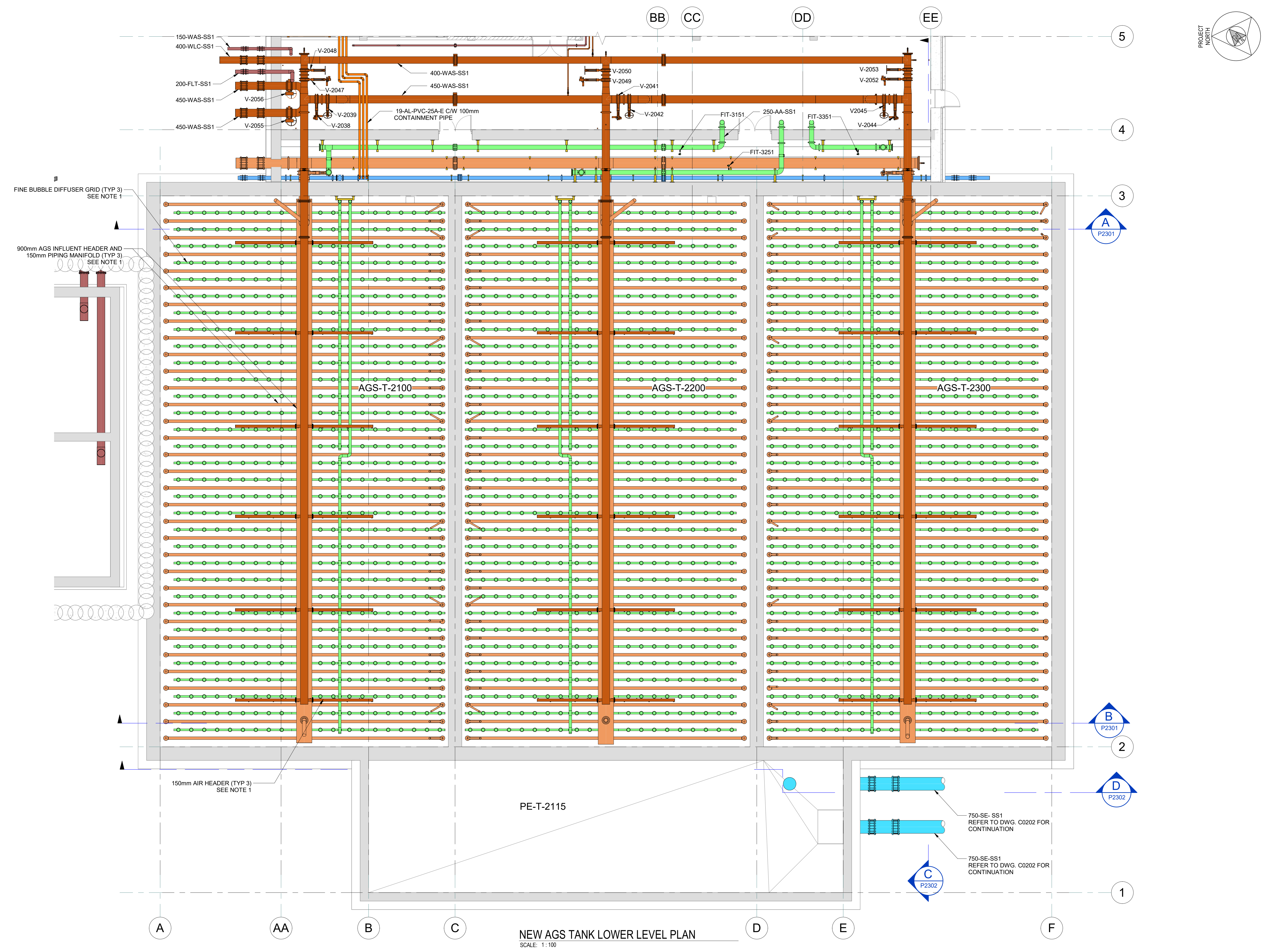
CLIENT:
Greater Napanee
 GREATER FOR MANY REASONS

PROJECT:
NEW NAPANEE WPCP

TITLE:
SECTIONS

SCALE: 1 : 50	JOB NO: 22001
DESIGNED BY: K.B.W./J.B.	DATE: 2025/01/23
DRAWN BY: K.B.W.	DRAWING NO. P1308
CHECKED BY: J.B.	

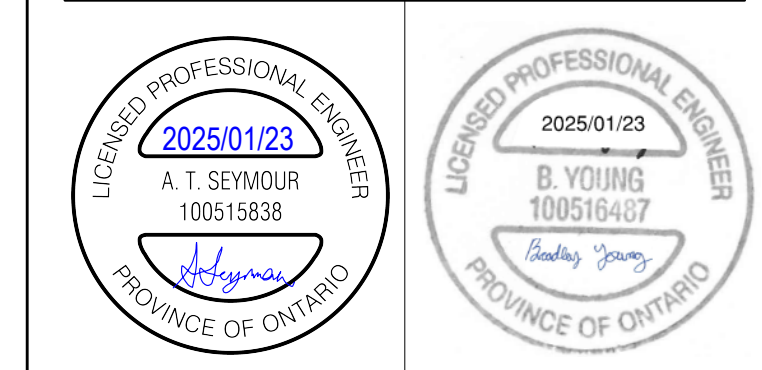
2025-01-22 3:42:28 PM Autodesk Docs/72201 - Napanee New WPCP - Napanee New WPCP Upgrades AGS Tanks.dwg



- GENERAL NOTES:
1. INFLUENT AND SLUDGE MANIFOLDS, AERATION PIPING, AND EFFLUENT LATERAL LAUNDERS WITHIN ALL AGS TANKS SUPPLIED BY AASI
 2. ALL PENETRATIONS THROUGH THE NEW WALLS AND FLOORS SHALL BE DONE WITH CAST IN PUDDLE FLANGES, NOT LINK SEALS OR PIPE BLOCK OUTS.
 3. THE SUPPORT LOCATIONS ARE SHOWN TO PROVIDE GUIDANCE ON FIXED SUPPORTS (F.S.) AND SLIDING SUPPORTS (S.S.), COMPLY WITH THE GENERAL NOTES AND SPECIFICATIONS FOR THE SUPPORT REQUIREMENTS.
 4. THE CONTRACTOR SHALL CONFIRM ALL PIPE AND VALVE SIZES ON THE SUPPLIER'S FINAL SUBMITTAL BEFORE INSTALLATION.
 5. ALL PIPING, PIPE SUPPORTS, COUPLINGS, VALVES INSTRUMENTS, PUMPS AND BLOWERS SHALL BE INSTALLED AS PER THE SUPPLIER'S SUBMITTAL AND INSTALLATION MANUAL.
 6. PROVIDE ALL TAGS FOR VALVES AND INSTRUMENTS AS PER P&IDs, SOME TAGS FOR PIPES SMALLER THAN 100mm MAT NOT BE SHOWN ON THE PROCESS DRAWINGS.
 7. REFER TO PRE-SELECTED DOCUMENTS TO CONFIRM ALL SYSTEMS CONFIGURATIONS WITH EQUIPMENT, PIPING, VALVES AND SUPPORTS BECAUSE THESE PROCESS DRAWINGS INTENTIONALLY DO NOT PRESENT THEM.

DATE	NO.	REVISION
2025/01/23	2	ISSUED FOR TENDER
2024/09/23	1	ISSUED FOR ECA APPROVAL

THE DRAWINGS, ARRANGEMENTS, ANNOTATIONS AND GRAPHICAL PRESENTATIONS ON THIS DOCUMENT ARE THE PROPERTY OF EVB ENGINEERING WHO RETAINS OWNERSHIP AND AUTHORITY OF THIS DOCUMENT IN ITS ENTIRETY. THIS DOCUMENT IS AN INSTRUMENT OF SERVICE AND IS THE INTELLECTUAL AND PHYSICAL PROPERTY OF EVB ENGINEERING. AUTHORIZED USE OF THIS DRAWING IS GRANTED SOLELY FOR THE PURPOSE OF THIS SPECIFIC PROJECT AND LOCATION, AND NOT FOR CONSTRUCTION OR USE FOR ANY OTHER PROJECT. COPYRIGHT © 2024 EVB ENGINEERING.



CONSULTANT:
EVB ENGINEERING
 800 SECOND STREET WEST
 CORNWALL, ONTARIO CANADA, K6J 1H6
 TEL: 613-935-3775 | FAX: 613-935-6450
 WEBSITE: EVBengineering.com



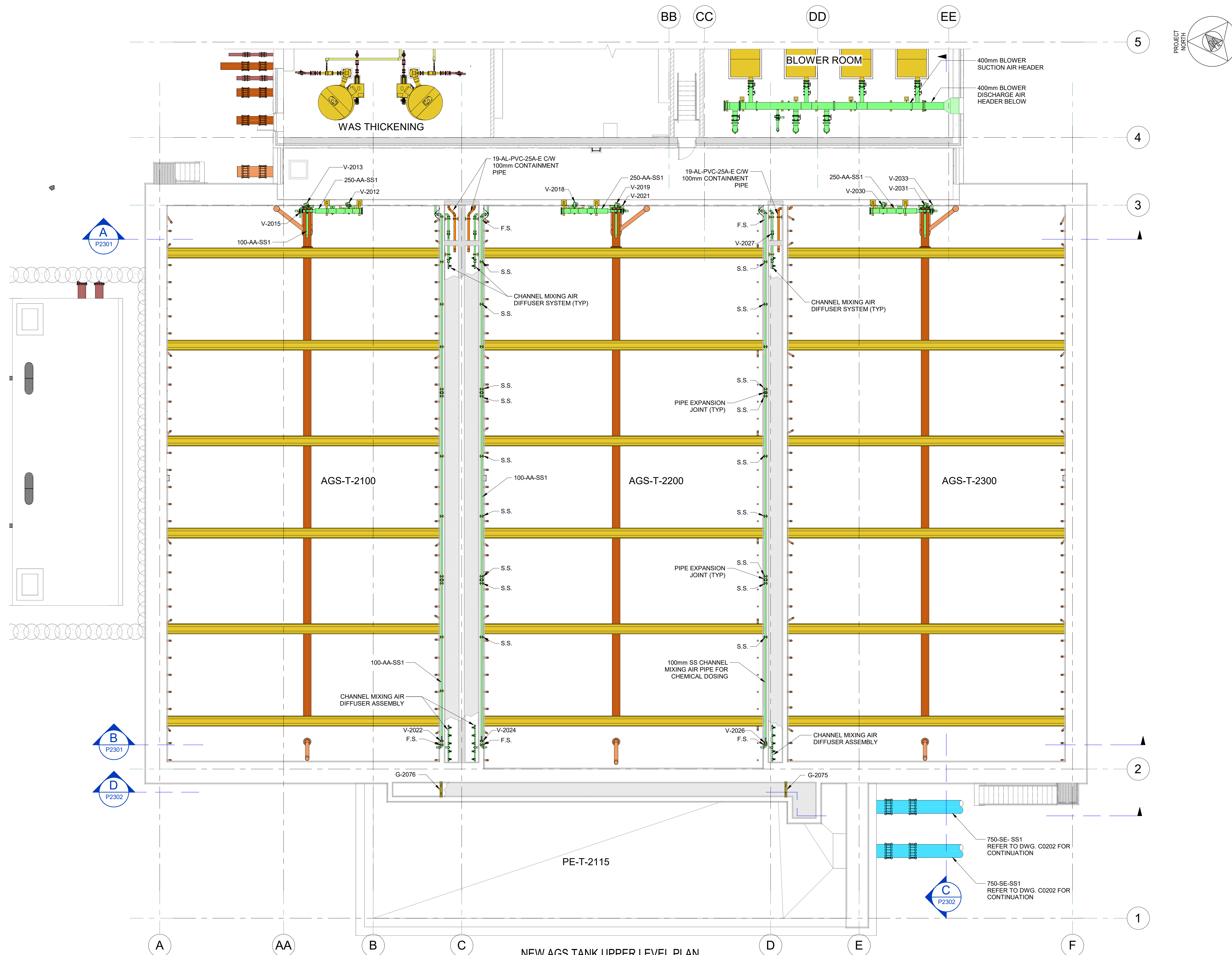
CLIENT:
Greater Napanee
 GREATER FOR MANY REASONS

PROJECT:
NEW NAPANEE WPCP

TITLE:
NEW AGS TANK LOWER PLAN

SCALE: 1:100	JOB NO: 22001
DESIGNED BY: K.K. & A.S.	DATE: 2025/01/23
DRAWN BY: E.M.	DRAWING NO. P2101
CHECKED BY: B.Y.	

2025-01-22 3:46:33 PM Autodesk Docs/22001 - Napanee New WPCP - Napanee WPCP - Upgrades AGS Tanks.rvt

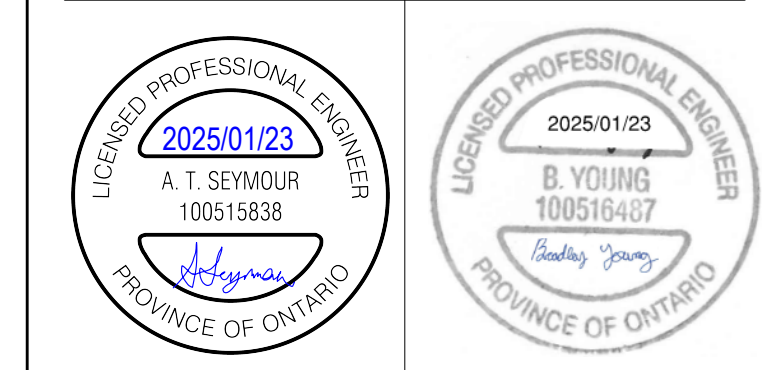


NEW AGS TANK UPPER LEVEL PLAN
SCALE: 1:100

- NOTES:**
1. INFLUENT AND SLUDGE MANIFOLDS, AERATION PIPING, AND EFFLUENT LATERAL LAUNDERS WITHIN ALL AGS TANKS SUPPLIED BY AASI.
 2. REFER TO PRE-SELECTED DOCUMENTS TO CONFIRM ALL SYSTEMS CONFIGURATIONS WITH EQUIPMENT, PIPING, VALVES AND SUPPORTS BECAUSE THESE PROCESS DRAWINGS INTENTIONALLY DO NOT PRESENT THEM.

DATE	NO.	REVISION
2025/01/23	2	ISSUED FOR TENDER
2024/09/23	1	ISSUED FOR ECA APPROVAL

THE DRAWINGS, ARRANGEMENTS, ANNOTATIONS AND GRAPHICAL PRESENTATIONS ON THIS DOCUMENT ARE THE PROPERTY OF EVB ENGINEERING WHO RETAINS OWNERSHIP AND AUTHORITY OF THIS DOCUMENT IN ITS ENTIRETY. THIS DOCUMENT IS AN INSTRUMENT OF SERVICE AND IS THE INTELLECTUAL AND PHYSICAL PROPERTY OF EVB ENGINEERING. AUTHORIZED USE OF THIS DRAWING IS GRANTED SOLELY FOR THE PURPOSE OF THIS SPECIFIC PROJECT AND LOCATION, AND NOT FOR CONSTRUCTION OR USE FOR ANY OTHER PROJECT. COPYRIGHT © 2024 EVB ENGINEERING.



CONSULTANT:

 800 SECOND STREET WEST
 CORNWALL, ONTARIO CANADA, K6J 1H6
 TEL: 613-935-3775 | FAX: 613-935-6450
 WEBSITE: EVBengineering.com

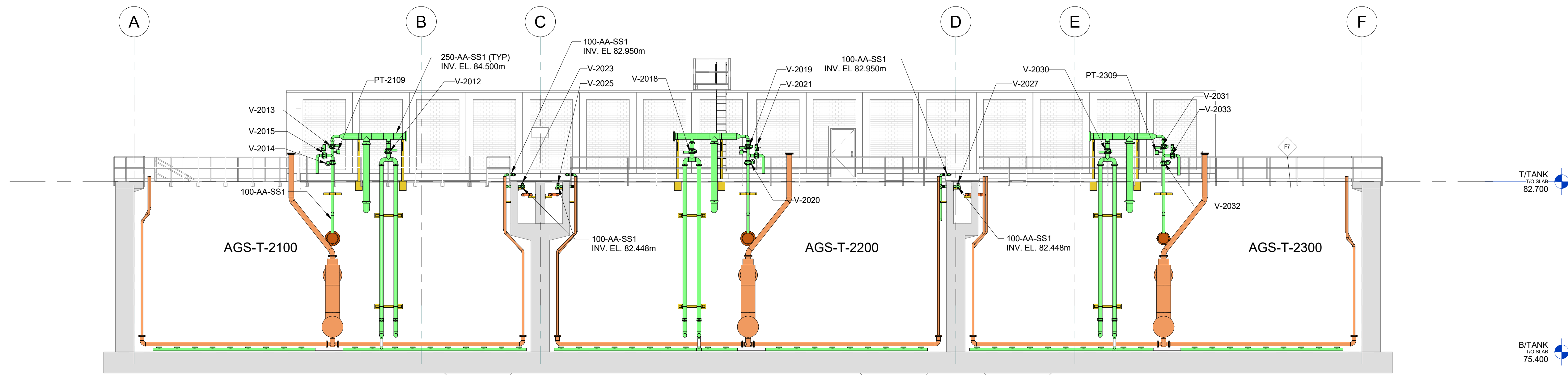
SUB-CONSULTANT:

CLIENT:

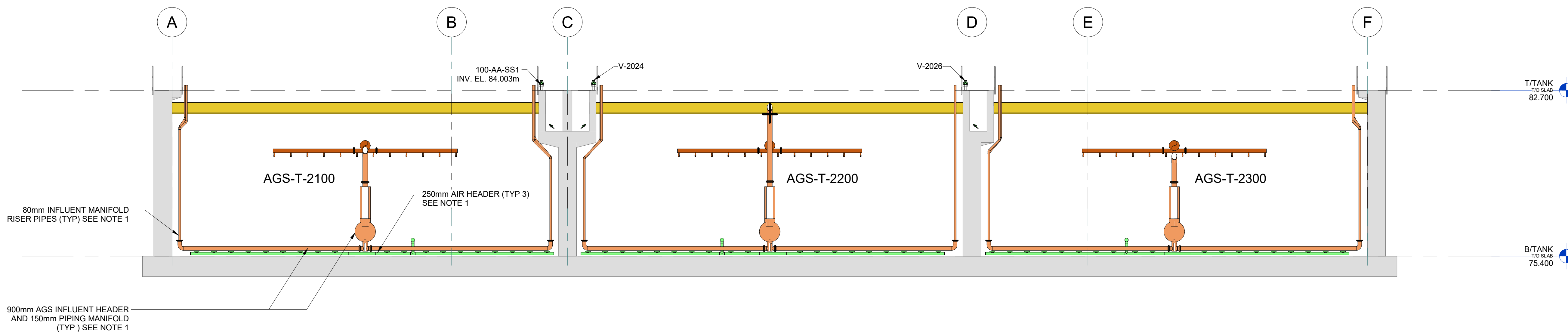
PROJECT:
 NEW NAPANEE WPCP

TITLE:
 NEW AGS TANKS UPPER LEVEL PLAN

SCALE: 1:100	JOB NO: 22001
DESIGNED BY: K.K. & A.S.	DATE: 2025/01/23
DRAWN BY:	DRAWING NO.
E.M. CHECKED BY:	
B.Y.	P2102



A SECTION
P2101 SCALE: 1 : 100



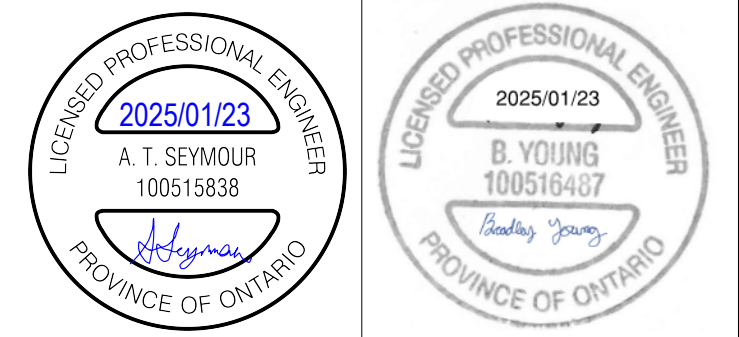
B SECTION
P2101 SCALE: 1 : 100

NOTES:

1. INFLUENT AND SLUDGE MANIFOLDS, AERATION PIPING, AND EFFLUENT LATERAL LAUNDERS WITHIN ALL AGS TANKS SUPPLIED BY AASI.
2. REFER TO PRE-SELECTED DOCUMENTS TO CONFIRM ALL SYSTEMS CONFIGURATIONS WITH EQUIPMENT, PIPING, VALVES AND SUPPORTS BECAUSE THESE PROCESS DRAWINGS INTENTIONALLY DO NOT PRESENT THEM.

DATE	NO.	REVISION
2025/01/23	2	ISSUED FOR TENDER
2024/08/23	1	ISSUED FOR ECA APPROVAL

THE DRAWINGS, ARRANGEMENTS, ANNOTATIONS AND GRAPHICAL PRESENTATIONS ON THIS DOCUMENT ARE THE PROPERTY OF EMB ENGINEERING WHO RETAINS OWNERSHIP AND AUTHORSHIP OF THIS DOCUMENT. IN ITS ENTIRETY THIS DOCUMENT IS AN INSTRUMENT OF SERVICE AND IS THE INTELLECTUAL AND PHYSICAL PROPERTY OF EMB ENGINEERING. AUTHORIZED USE OF THIS DRAWING IS GRANTED SOLELY FOR THE PURPOSE OF THIS SPECIFIC PROJECT AND LOCATION, AND NOT FOR CONSTRUCTION OR USE FOR ANY OTHER PROJECT. COPYRIGHT © 2024 EMB ENGINEERING.

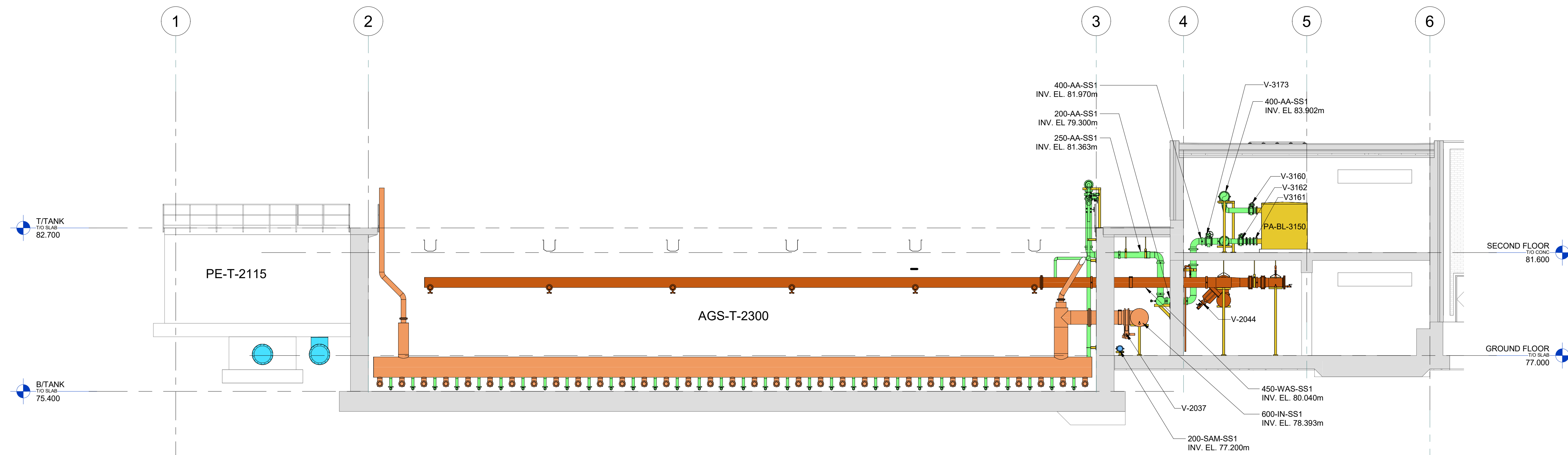


CONSULTANT:
EVB ENGINEERING
 800 SECOND STREET WEST
 CORNWALL, ONTARIO CANADA, K6J 1H6
 TEL: 613-935-3775 | FAX: 613-935-6450
 WEBSITE: EVBengineering.com

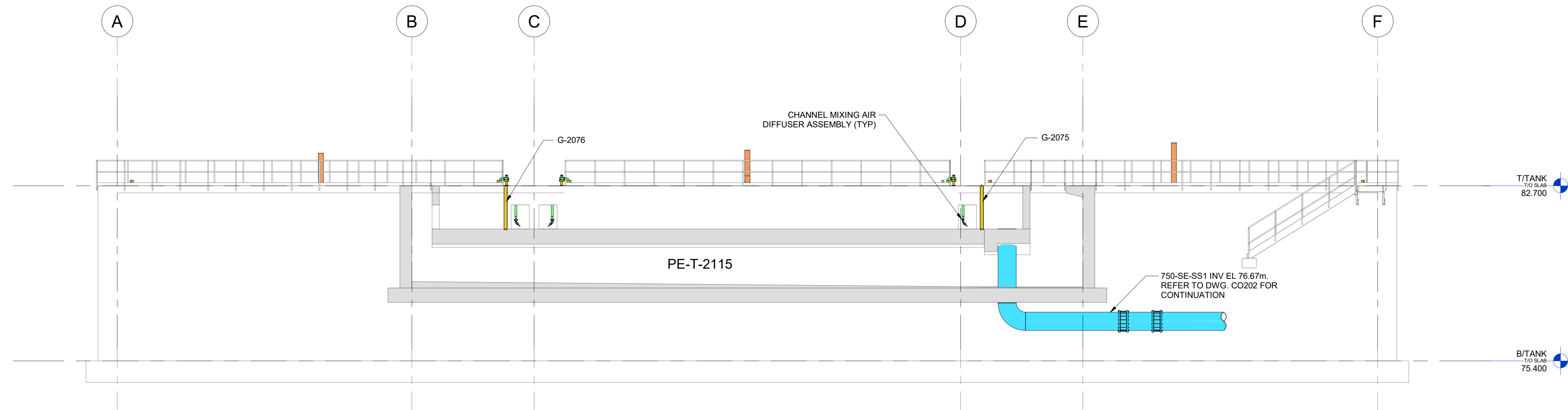
SUB-CONSULTANT:
CIMA+
 CLIENT:
Greater Napanee
CREATING FOR WHAT MATTERS

PROJECT:
NEW NAPANEE WPCP
 TITLE:
NEW AGS TANKS SECTIONS (1)

SCALE: 1 : 100	JOB NO: 22001
DESIGNED BY: K.K. & A.S.	DATE: 2025/01/23
DRAWN BY: E.M.	DRAWING NO. P2301
CHECKED BY: B.Y.	



C SECTION
P2101 SCALE: 1 : 100



D SECTION
P2101 SCALE: 1 : 100

NOTE:
 1. INFLUENT AND SLUDGE MANIFOLDS, AERATION PIPING, AND EFFLUENT LATERAL LAUNDERS WITHIN ALL AGS TANKS SUPPLIED BY AASI.
 2. REFER TO PRE-SELECTED DOCUMENTS TO CONFIRM ALL SYSTEMS CONFIGURATIONS WITH EQUIPMENT, PIPING, VALVES AND SUPPORTS BECAUSE THESE PROCESS DRAWINGS INTENTIONALLY DO NOT PRESENT THEM.

DATE	NO.	REVISION
2025/01/23	2	ISSUED FOR TENDER
2024/08/23	1	ISSUED FOR ECA APPROVAL

THE DRAWINGS, ARRANGEMENTS, ANNOTATIONS AND GRAPHICAL PRESENTATIONS ON THIS DOCUMENT ARE THE PROPERTY OF EYE ENGINEERING WHO RETAINS OWNERSHIP AND AUTHORITY OF THIS DOCUMENT. IN ITS ENTIRETY THIS DOCUMENT IS AN INSTRUMENT OF SERVICE AND IS THE INTELLECTUAL AND PHYSICAL PROPERTY OF EYE ENGINEERING. AUTHORIZED USE OF THIS DRAWING IS GRANTED SOLELY FOR THE PURPOSE OF THIS SPECIFIC PROJECT AND LOCATION, AND NOT FOR CONSTRUCTION OR USE FOR ANY OTHER PROJECT. COPYRIGHT © 2024 EYE ENGINEERING.



CONSULTANT:
EVB ENGINEERING
 800 SECOND STREET WEST
 CORNWALL, ONTARIO CANADA, K6J 1H6
 TEL: 613-935-3775 | FAX: 613-935-6450
 WEBSITE: EVBengineering.com

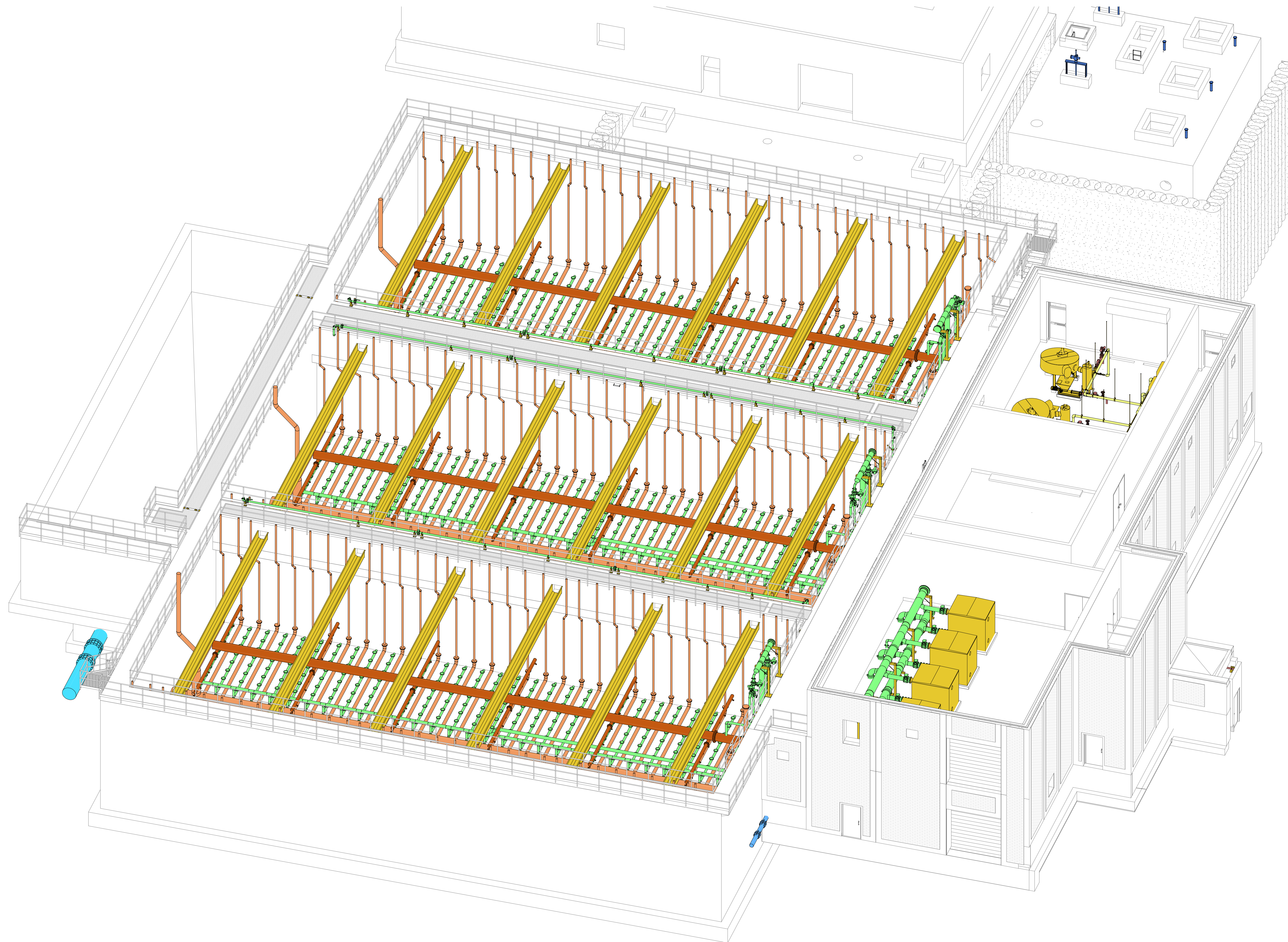
SUB-CONSULTANT:
CIMA+

CLIENT:
Greater Napanee
 CREATE FOR WHAT REASONS

PROJECT:
NEW NAPANEE WPCP

TITLE:
NEW AGS TANKS SECTIONS (2)

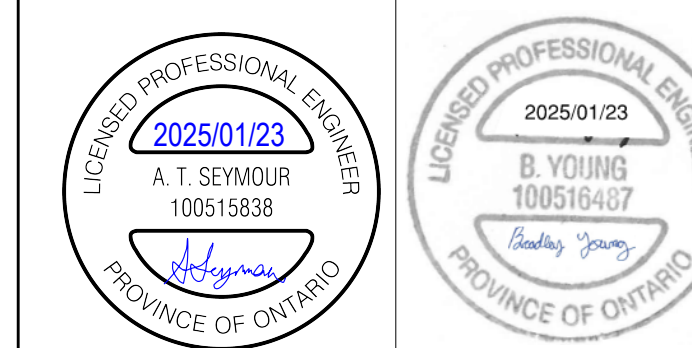
SCALE: 1 : 100	JOB NO: 22001
DESIGNED BY: K.K. & A.S.	DATE: 2025/01/23
DRAWN BY: E.M.	DRAWING NO. P2302
CHECKED BY: B.Y.	



AGS TANKS 3D VIEW

DATE	NO.	REVISION
2025/01/23	2	ISSUED FOR TENDER
2024/08/23	1	ISSUED FOR ECA APPROVAL

THE DRAWINGS, ARRANGEMENTS, ANNOTATIONS AND GRAPHICAL PRESENTATIONS ON THIS DOCUMENT ARE THE PROPERTY OF EVB ENGINEERING WHO RETAINS OWNERSHIP AND AUTHORSHIP OF THIS DOCUMENT. IN ITS ENTIRETY THIS DOCUMENT IS AN INSTRUMENT OF SERVICE AND IS THE INTELLECTUAL AND PHYSICAL PROPERTY OF EVB ENGINEERING. AUTHORIZED USE OF THIS DRAWING IS GRANTED SOLELY FOR THE PURPOSE OF THIS SPECIFIC PROJECT AND LOCATION, AND NOT FOR CONSTRUCTION OR USE FOR ANY OTHER PROJECT. COPYRIGHT © 2024 EVB ENGINEERING.



CONSULTANT:
 800 SECOND STREET WEST
 CORNWALL, ONTARIO CANADA, K5J 1H6
 TEL: 613-935-3775 | FAX: 613-935-6450
 WEBSITE: EVBengineering.com

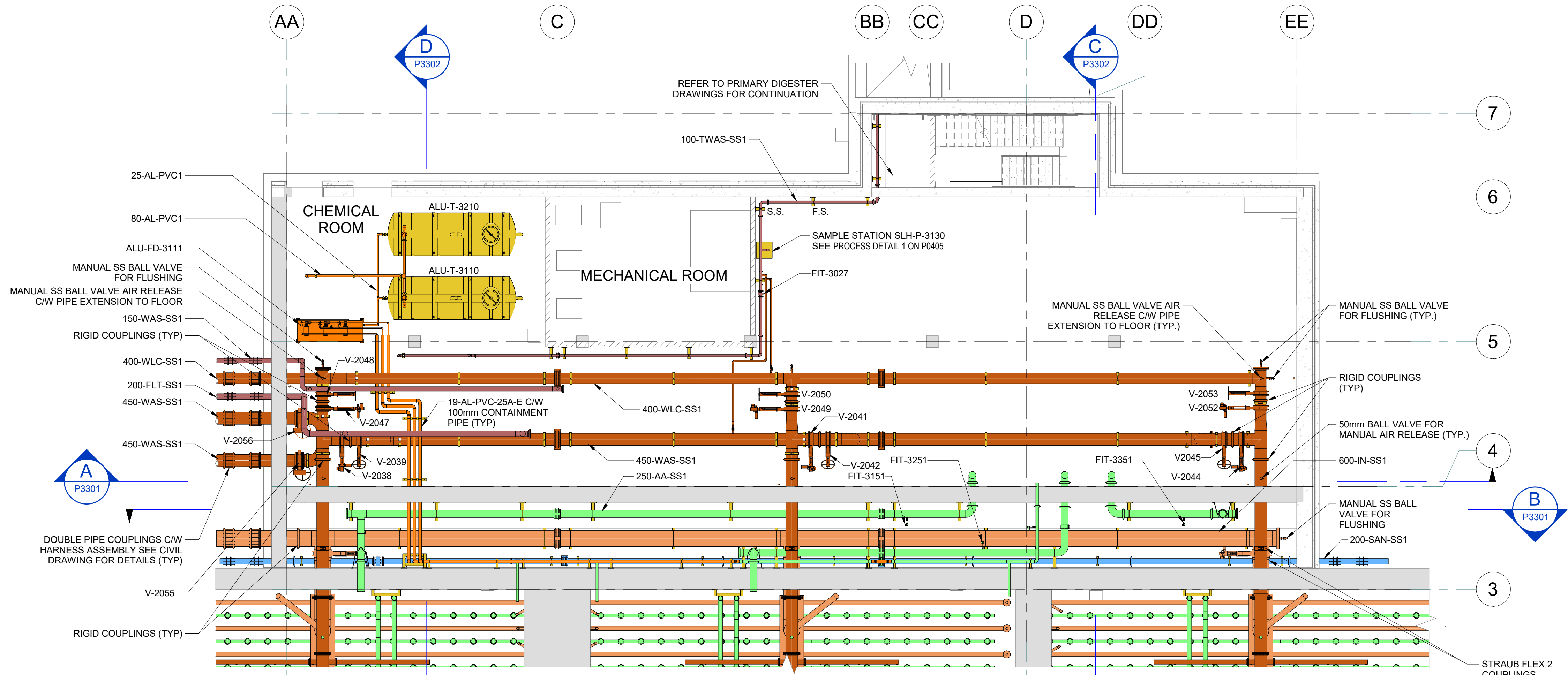
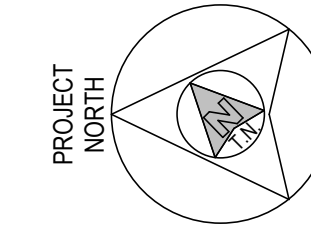
SUB-CONSULTANT:


CLIENT:
 Greater Napanee
 CREATE FOR WANT REASONS

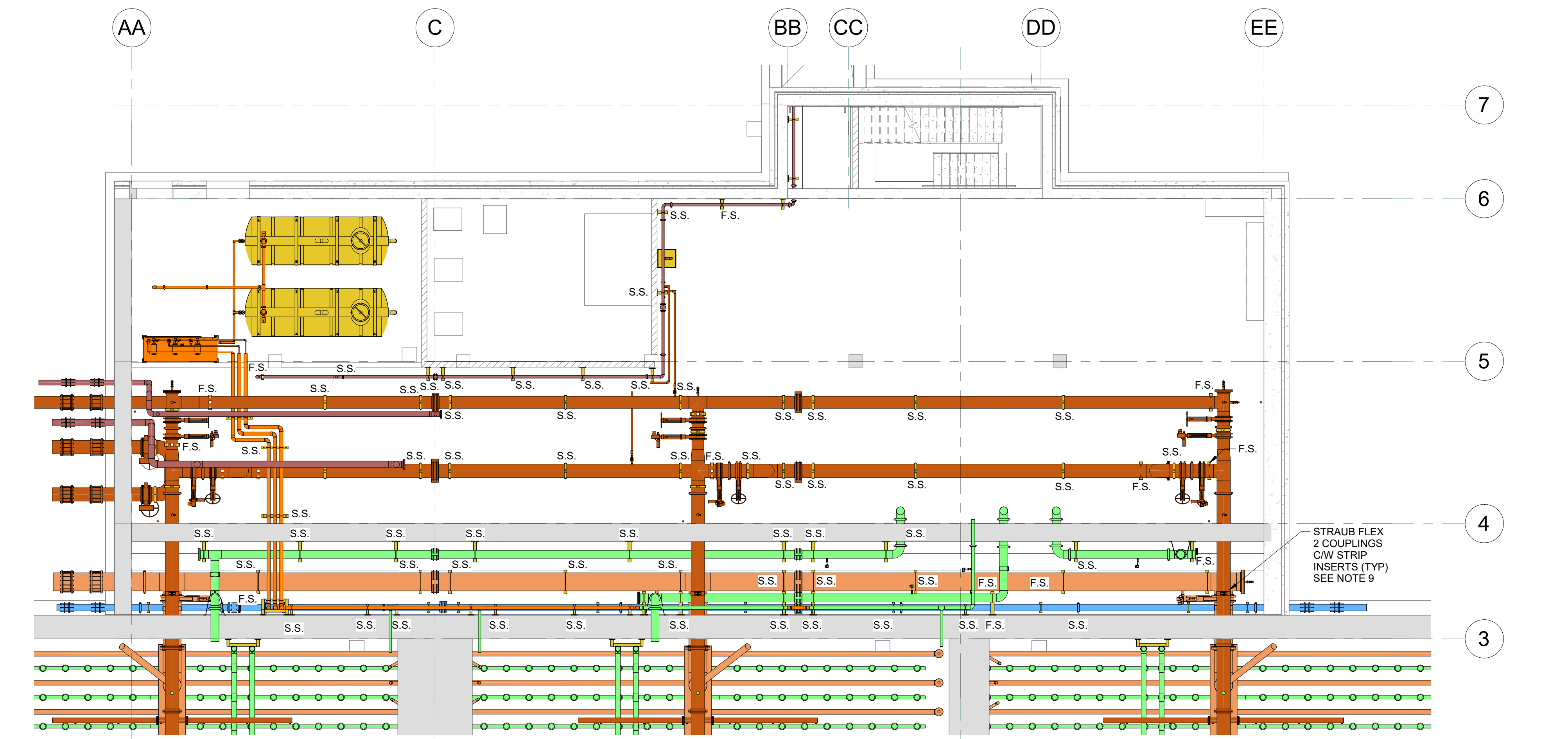
PROJECT:
 NEW NAPANEE WPCP

TITLE:
 NEW AGS TANKS 3D VIEW

SCALE:	JOB NO: 22001
DESIGNED BY: K.K. & A.S.	DATE: 2025/01/23
DRAWN BY: E.M.	DRAWING NO. P2701
CHECKED BY: B.Y.	



1 OPERATIONS BUILDING LOWER LEVEL PLAN
SCALE: 1 : 100



2 LOWER LEVEL PIPE SUPPORT LOCATION
SCALE: 1 : 100

- GENERAL NOTES:**
1. CONFIRM WITH THE ENGINEER, THE ORIENTATION OF OPERATING HANDWHEEL FOR ALL VALVES.
 2. AIR RELIEF VALVES, FLUSHING AND DRAIN VALVES MAY NOT BE SHOWN ON PROCESS DRAWINGS, BUT PROVIDE THEM AS PER PROCESS DETAILS. PROVIDE 50mm MANUAL AIR RELIEF BALL VALVES ON SLUDGE PIPES IF THE CLEARANCE IS NOT SUFFICIENT FOR AUTOMATIC AIR RELIEF VALVES
 3. ALL PENETRATIONS THROUGH THE NEW WALLS AND FLOORS SHALL BE DONE WITH CAST IN PLACE PUDDLE FLANGES, NOT LINK SEALS OR PIPE BLOCK OUTS.
 4. THE SUPPORT LOCATIONS ARE SHOWN TO PROVIDE GUIDANCE ON FIXED SUPPORTS (F.S.) AND SLIDING SUPPORTS (S.S.). COMPLY WITH THE GENERAL NOTES AND SPECIFICATIONS FROM THE SUPPORT REQUIREMENTS.
 5. PIPE HANGERS SHALL NOT BE FIXED SUPPORT (POINT)
 6. PIPE SUPPORTS, EXPANSION JOINTS AND COUPLINGS MAY NOT BE SHOWN ON THE PROCESS DRAWINGS FOR SMALLER PIPES LESS THAN 100mm, BUT PROVIDE THEM AS PER SPECIFICATION AND PROCESS DETAILS SIMILAR TO SUPPORTS FROM LARGER SIZES.
 7. PROVIDE ALL TAGS FOR VALVES AND INSTRUMENTS AS PER P&IDs. SOME TAGS FOR PIPES SMALLER THAN 100mm MAY NOT BE SHOWN ON THE PROCESS DRAWINGS.
 8. REFER TO CIVIL DRAWINGS FOR YARD PIPING CONNECTIONS.
 9. REFER TO SECTIONS ON DWG. P3202 FOR MORE DETAILS.

DATE	NO.	REVISION
2025/01/23	2	ISSUED FOR TENDER
2024/08/23	1	ISSUED FOR ECA APPROVAL

THE DRAWINGS, ARRANGEMENTS, ANNOTATIONS AND GRAPHICAL PRESENTATIONS ON THIS DOCUMENT ARE THE PROPERTY OF EVB ENGINEERING WHO RETAINS OWNERSHIP AND AUTHORITY OF THIS DOCUMENT IN ITS ENTIRETY. THIS DOCUMENT IS AN INSTRUMENT OF SERVICE AND IS THE INTELLECTUAL AND PHYSICAL PROPERTY OF EVB ENGINEERING. AUTHORIZED USE OF THIS DRAWING IS GRANTED SOLELY FOR THE PURPOSE OF THIS SPECIFIC PROJECT AND LOCATION, AND NOT FOR CONSTRUCTION OR USE FOR ANY OTHER PROJECT. COPYRIGHT © 2024 EVB ENGINEERING.



CONSULTANT:

 800 SECOND STREET WEST
 CORNWALL, ONTARIO CANADA, K6J 1H6
 TEL: 613-935-3775 | FAX: 613-935-6450
 WEBSITE: EVBengineering.com

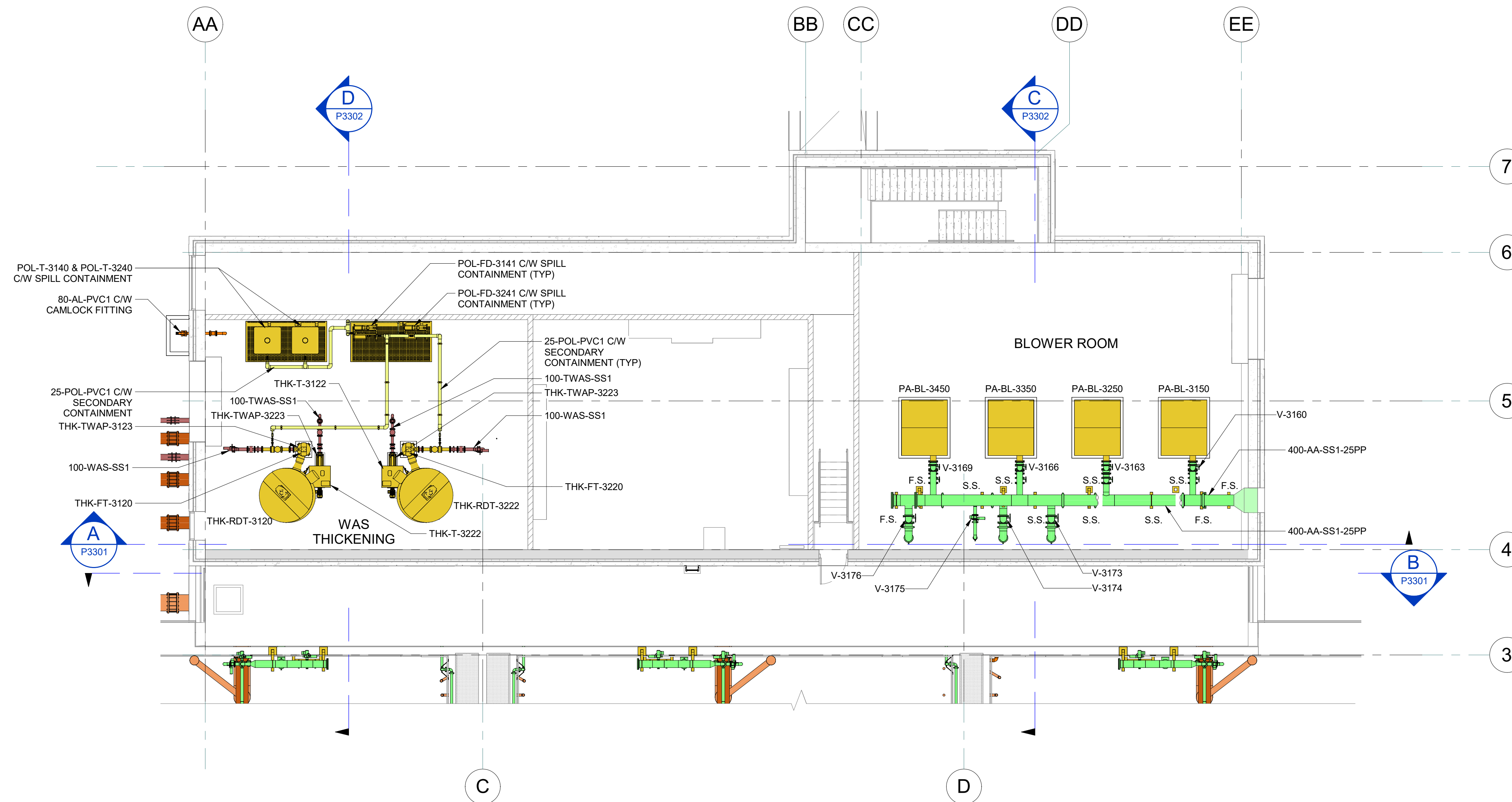
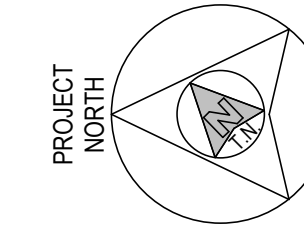
SUB-CONSULTANT:

CLIENT:

PROJECT:
 NEW NAPANEE WPCP

TITLE:
 OPERATIONS BUILDING LOWER LEVEL PLAN

SCALE: 1 : 100	JOB NO: 22001
DESIGNED BY: K.K. & A.S.	DATE: 2025/01/23
DRAWN BY: E.M.	DRAWING NO. P3101
CHECKED BY: B.Y.	



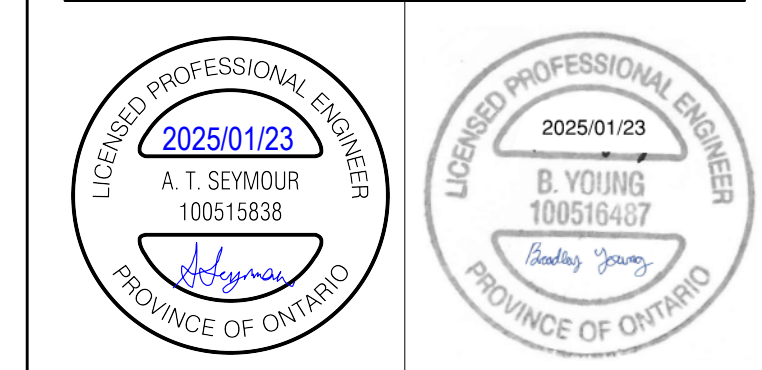
1 OPERATIONS BUILDING UPPER LEVEL PLAN
SCALE: 1 : 100

GENERAL NOTES:

1. PROVIDE ALL TAGS FOR VALVES AND INSTRUMENTS AS PER P&IDS. SOME TAGS FOR PIPES SMALLER THAN 100mm MAY NOT BE SHOWN ON THE PROCESS DRAWINGS.
2. ALL VALVES AND INSTRUMENTS ON SMALL PIPES LESS THAN 100mm MAY NOT BE SHOWN ON THE PROCESS DRAWINGS, BUT PROVIDE THEM AS PER P&IDS AND PRE-SELECTION DOCUMENTS.

DATE	NO.	REVISION
2025/01/23	2	ISSUED FOR TENDER
2024/08/23	1	ISSUED FOR ECA APPROVAL

THE DRAWINGS, ARRANGEMENTS, ANNOTATIONS AND GRAPHICAL PRESENTATIONS ON THIS DOCUMENT ARE THE PROPERTY OF EVB ENGINEERING WHO RETAINS OWNERSHIP AND AUTHORITY OF THIS DOCUMENT IN ITS ENTIRETY. THIS DOCUMENT IS AN INSTRUMENT OF SERVICE AND IS THE INTELLECTUAL AND PHYSICAL PROPERTY OF EVB ENGINEERING. AUTHORIZED USE OF THIS DRAWING IS GRANTED SOLELY FOR THE PURPOSE OF THIS SPECIFIC PROJECT AND LOCATION, AND NOT FOR CONSTRUCTION OR USE FOR ANY OTHER PROJECT. COPYRIGHT © 2024 EVB ENGINEERING.



CONSULTANT:

EVB ENGINEERING
 800 SECOND STREET WEST
 CORNWALL, ONTARIO CANADA, K6J 1H6
 TEL: 613-935-3775 | FAX: 613-935-6450
 WEBSITE: EVBengineering.com

SUB-CONSULTANT:

CIM+

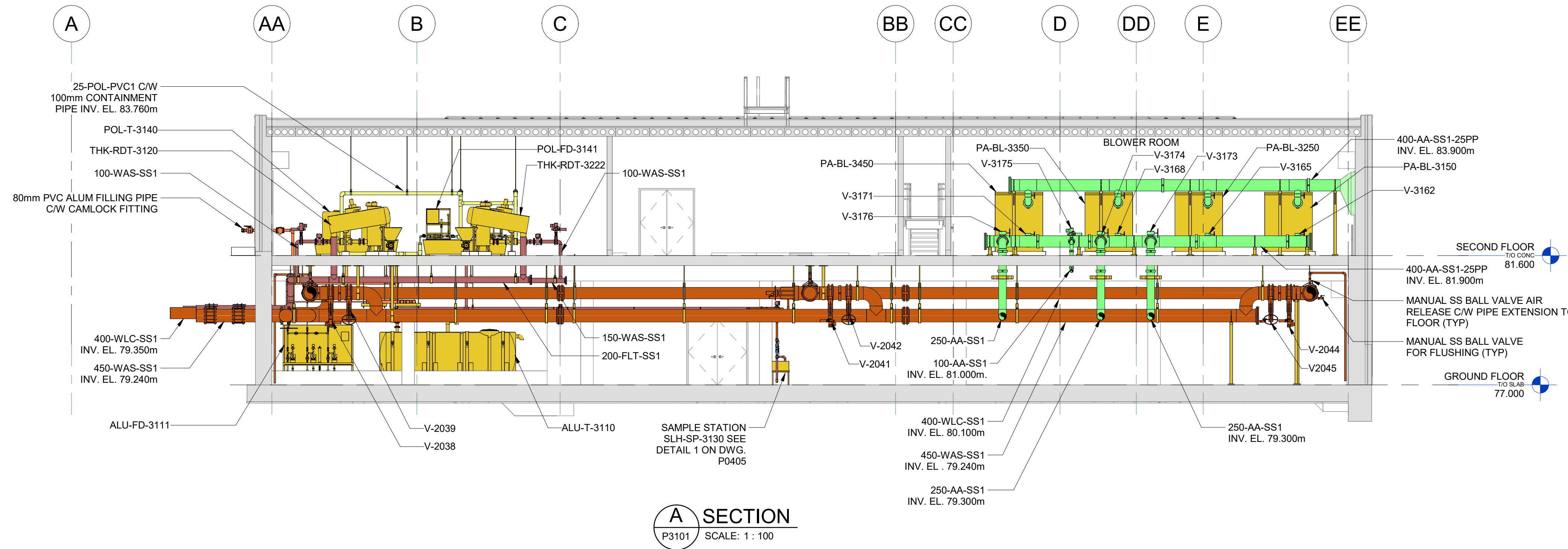
CLIENT:

Greater Napanee
 GREATER FOR MANY REASONS

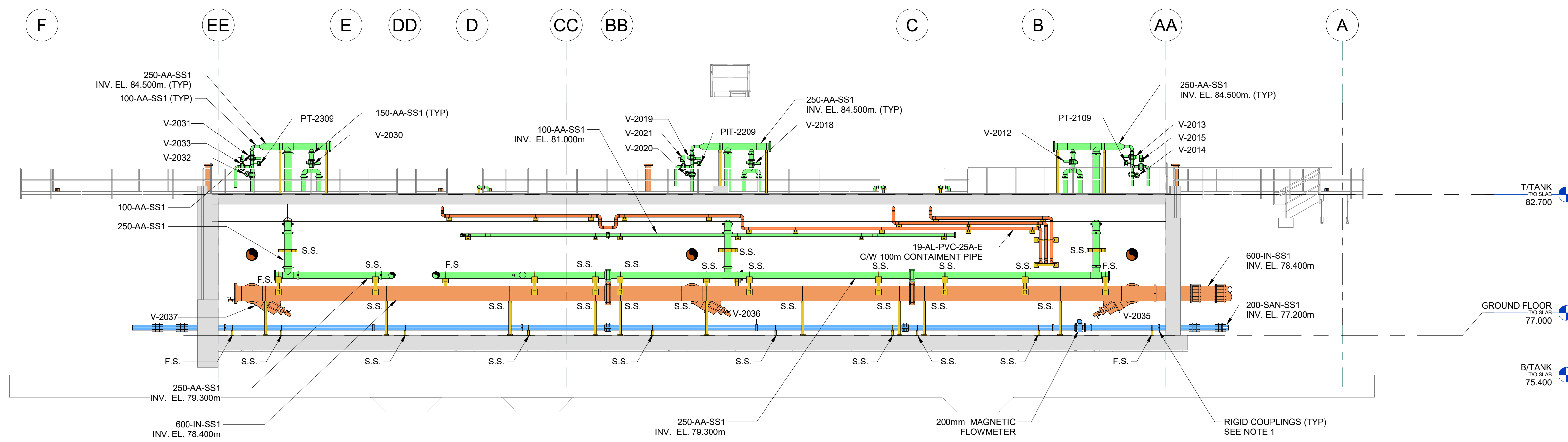
PROJECT:
NEW NAPANEE WPCP

TITLE:
**OPERATIONS BUILDING
 UPPER LEVEL PLAN**

SCALE: 1 : 100	JOB NO: 22001
DESIGNED BY: K.K. & A.S.	DATE: 2025/01/23
DRAWN BY: E.M.	DRAWING NO. P3102
CHECKED BY: B.Y.	



A SECTION
P3101 SCALE: 1 : 100



B SECTION
P3101 SCALE: 1 : 100

NOTES:
1. 200mm SANITARY LINE SHALL BE FURNISHED WITH RIGID COUPLINGS AND EXPANSION JOINTS WITHOUT PIPE WELDING.

DATE	NO.	REVISION
2025/01/23	2	ISSUED FOR TENDER
2024/08/23	1	ISSUED FOR ECA APPROVAL

THE DRAWINGS, ARRANGEMENTS, ANNOTATIONS AND GRAPHICAL PRESENTATIONS ON THIS DOCUMENT ARE THE PROPERTY OF EVB ENGINEERING WHO RETAINS OWNERSHIP AND AUTHORITY OF THIS DOCUMENT. IN ITS ENTIRETY THIS DOCUMENT IS AN INSTRUMENT OF SERVICE AND IS THE INTELLECTUAL AND PHYSICAL PROPERTY OF EVB ENGINEERING. AUTHORIZED USE OF THIS DRAWING IS GRANTED SOLELY FOR THE PURPOSE OF THIS SPECIFIC PROJECT AND LOCATION, AND NOT FOR CONSTRUCTION OR USE FOR ANY OTHER PROJECT. COPYRIGHT © 2024 EVB ENGINEERING.



CONSULTANT:
EVB ENGINEERING
800 SECOND STREET WEST
CORNWALL, ONTARIO CANADA, K6J 1H6
TEL: 613-935-3775 | FAX: 613-935-6450
WEBSITE: EVBengineering.com

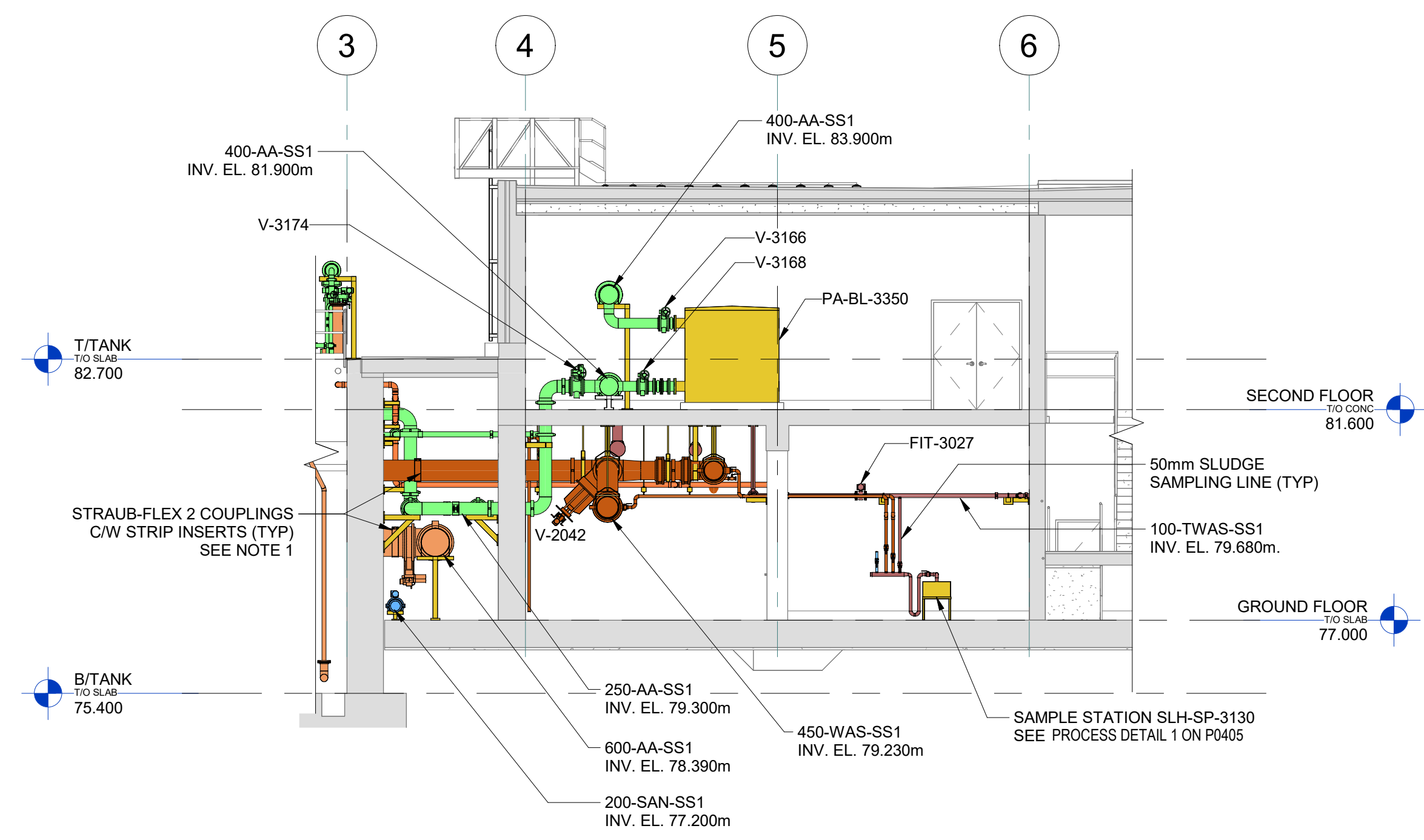
SUB-CONSULTANT:
CIMA+

CLIENT:
Greater Napanee
CREATING FOR BETER TOMORROWS

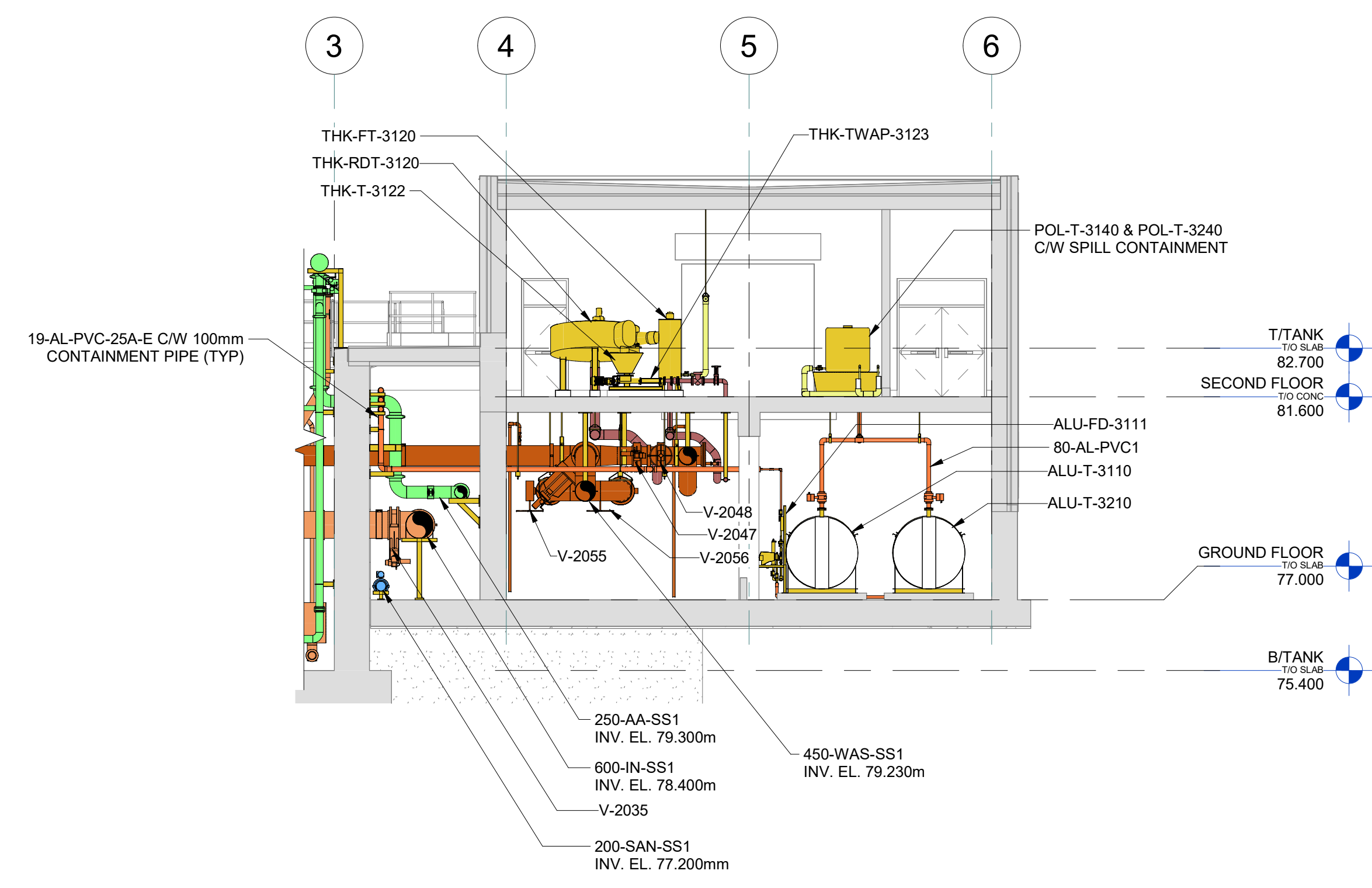
PROJECT:
NEW NAPANEE WPCP

TITLE:
OPERATIONS BUILDING SECTIONS (1)

SCALE: 1 : 100	JOB NO: 22001
DESIGNED BY: K.K. & A.S.	DATE: 2025/01/23
DRAWN BY: E.M.	DRAWING NO. P3301
CHECKED BY: B.Y.	



C SECTION
P3101 SCALE: 1 : 100

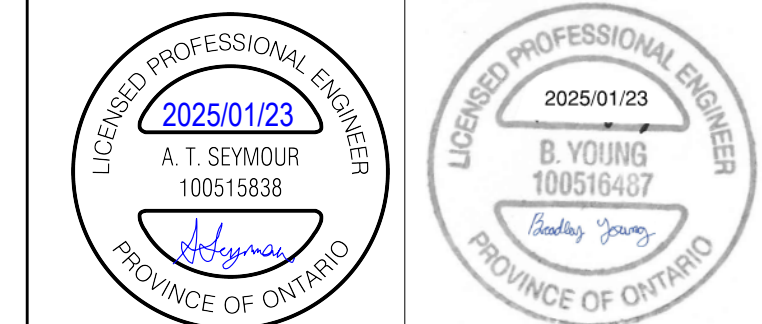


D SECTION
P3101 SCALE: 1 : 100

- GENERAL NOTES:
- STRAUB-FLEX 2 COUPLINGS C/W STRIP INSERTS SHALL BE APPLIED TO THE AGS INFLUENT AND SLUDGE DECANTER PIPES AT THE STRUCTURAL EXPANSION JOINT BETWEEN AGS TANKS AND OPERATION BUILDING. THE COUPLINGS SHALL ALLOW FOR PIPE EXPANSION AND DEFLECTION AS WELL. CONVENTIONAL EXPANSION JOINTS SHALL NOT BE USED SUCH AS VICTAULIC EXPANSION JOINT WHICH DOES NOT ALLOW FOR DEFLECTION.
 - CONFIRM WITH THE ENGINEER, THE ORIENTATION OF OPERATING HANDWHEEL FOR ALL VALVES BEFORE INSTALLATION.

DATE	NO.	REVISION
2025/01/23	2	ISSUED FOR TENDER
2024/08/23	1	ISSUED FOR ECA APPROVAL

THE DRAWINGS, ARRANGEMENTS, ANNOTATIONS AND GRAPHICAL PRESENTATIONS ON THIS DOCUMENT ARE THE PROPERTY OF EVB ENGINEERING WHO RETAINS OWNERSHIP AND AUTHORSHIP OF THIS DOCUMENT. IN ITS ENTIRETY THIS DOCUMENT IS AN INSTRUMENT OF SERVICE AND IS THE INTELLECTUAL AND PHYSICAL PROPERTY OF EVB ENGINEERING. AUTHORIZED USE OF THIS DRAWING IS GRANTED SOLELY FOR THE PURPOSE OF THIS SPECIFIC PROJECT AND LOCATION, AND NOT FOR CONSTRUCTION OR USE FOR ANY OTHER PROJECT. COPYRIGHT © 2024 EVB ENGINEERING.



CONSULTANT:

800 SECOND STREET WEST
CORNWALL, ONTARIO CANADA, K6J 1H6
TEL: 613-935-3775 | FAX: 613-935-6450
WEBSITE: EVBengineering.com

SUB-CONSULTANT:

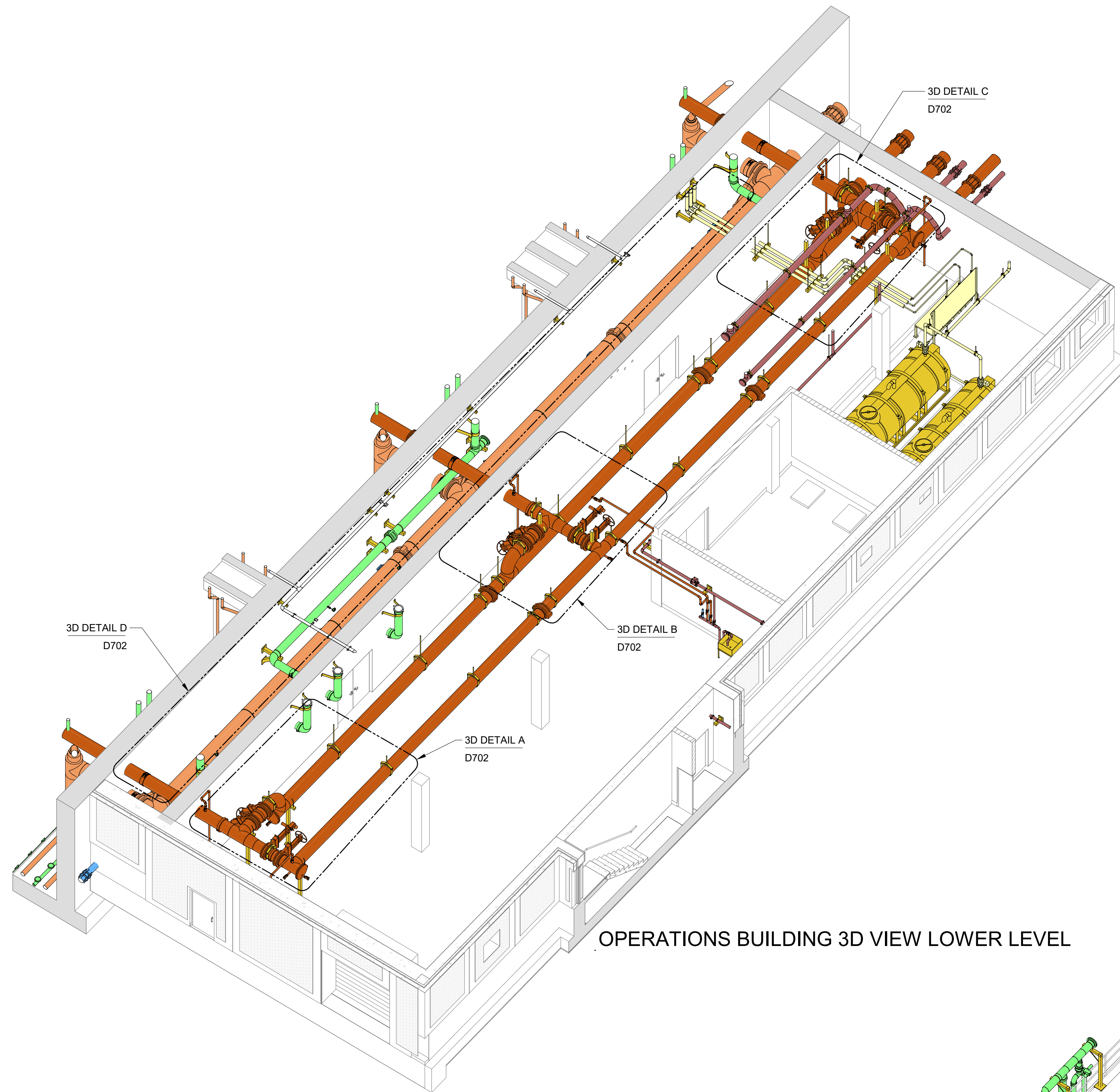
CLIENT:

Greater Napanee
CREATE FOR WHAT REASONS

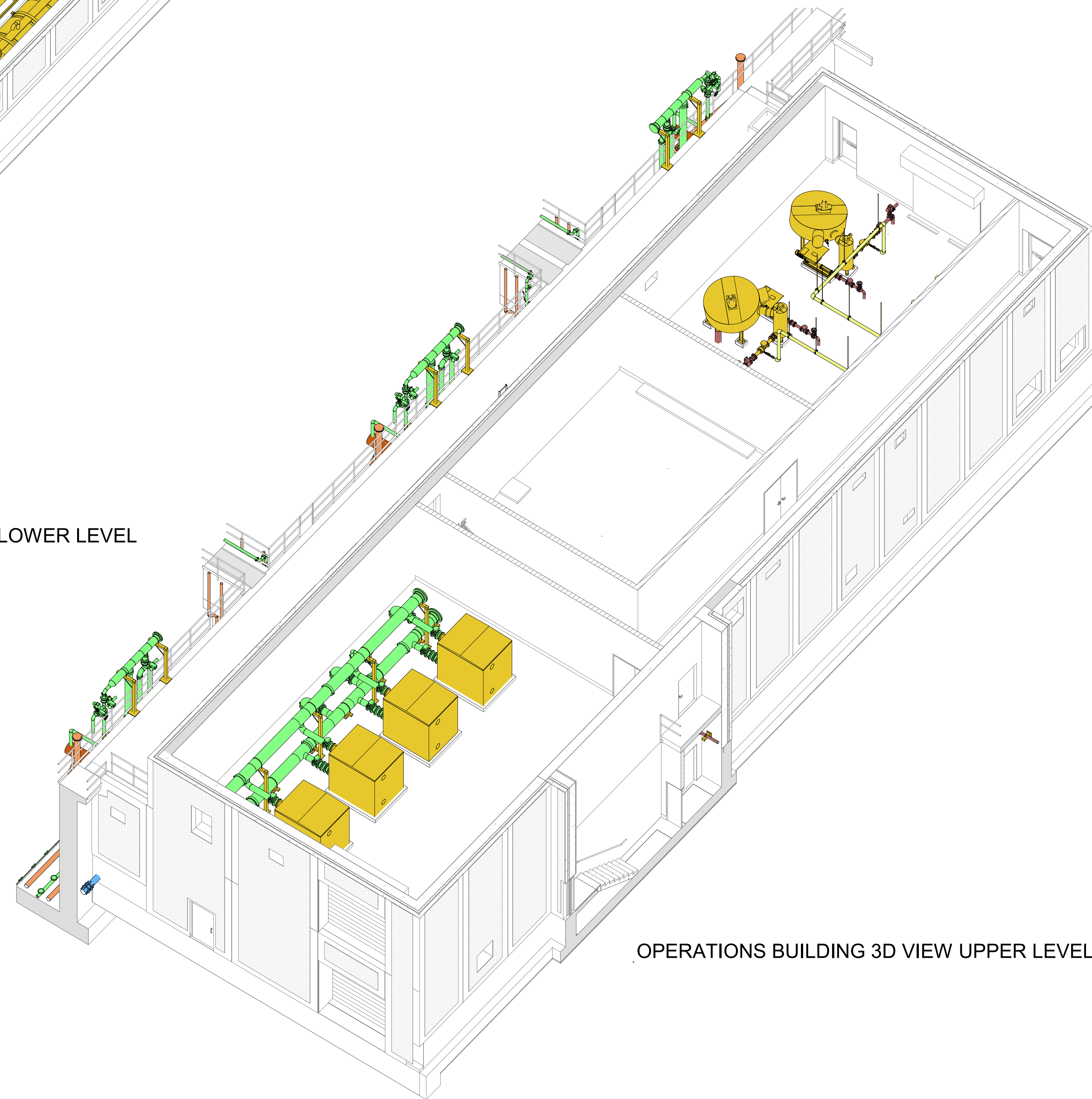
PROJECT:
NEW NAPANEE WPCP

TITLE:
OPERATIONS BUILDING SECTIONS (2)

SCALE: 1 : 100	JOB NO: 22001
DESIGNED BY: K.K. & A.S.	DATE: 2025/01/23
DRAWN BY: E.M.	DRAWING NO. P3302
CHECKED BY: B.Y.	



OPERATIONS BUILDING 3D VIEW LOWER LEVEL



OPERATIONS BUILDING 3D VIEW UPPER LEVEL

2025-01-22 3:49:18 PM Autodesk Docs: \22001 - Napanee New WPCP\2024 - Napanee WPCP Upgrades\ACS Tanks.v4


DATE	NO.	REVISION
2025/01/23	2	ISSUED FOR TENDER
2024/08/23	1	ISSUED FOR ECA APPROVAL

THE DRAWINGS, ARRANGEMENTS, ANNOTATIONS AND GRAPHICAL PRESENTATIONS ON THIS DOCUMENT ARE THE PROPERTY OF EVB ENGINEERING WHO RETAINS OWNERSHIP AND AUTHORSHIP OF THIS DOCUMENT. IN ITS ENTIRETY THIS DOCUMENT IS AN INSTRUMENT OF SERVICE AND IS THE INTELLECTUAL AND PHYSICAL PROPERTY OF EVB ENGINEERING. AUTHORIZED USE OF THIS DRAWING IS GRANTED SOLELY FOR THE PURPOSE OF THIS SPECIFIC PROJECT AND LOCATION, AND NOT FOR CONSTRUCTION OR USE FOR ANY OTHER PROJECT. COPYRIGHT © 2024 EVB ENGINEERING.



CONSULTANT:
 800 SECOND STREET WEST
 CORNWALL, ONTARIO CANADA, K6J 1H6
 TEL: 613-935-3775 | FAX: 613-935-6450
 WEBSITE: EVBengineering.com

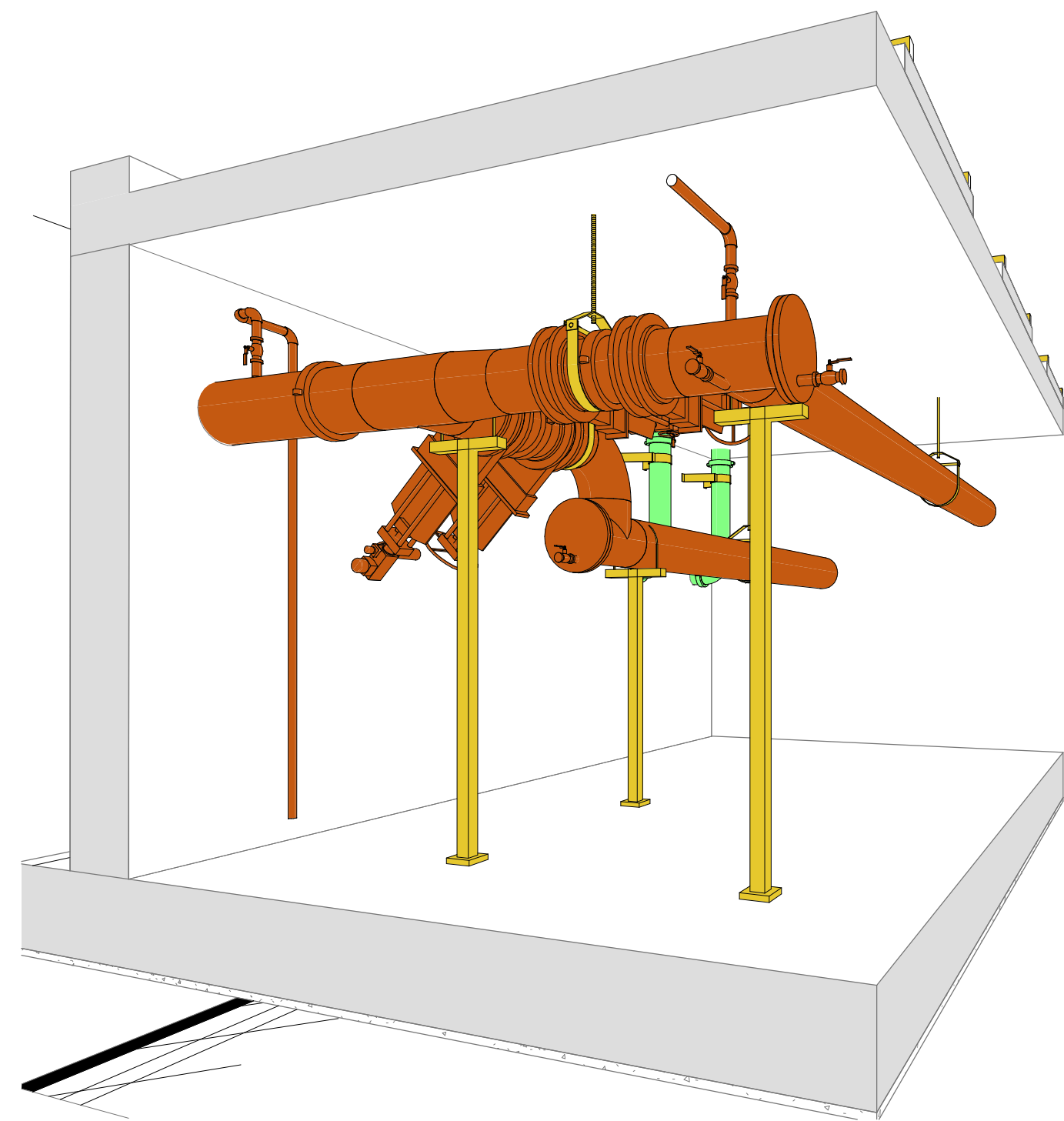
SUB-CONSULTANT:


CLIENT:
 Greater Napanee
 CREATE FOR WANT REASONS

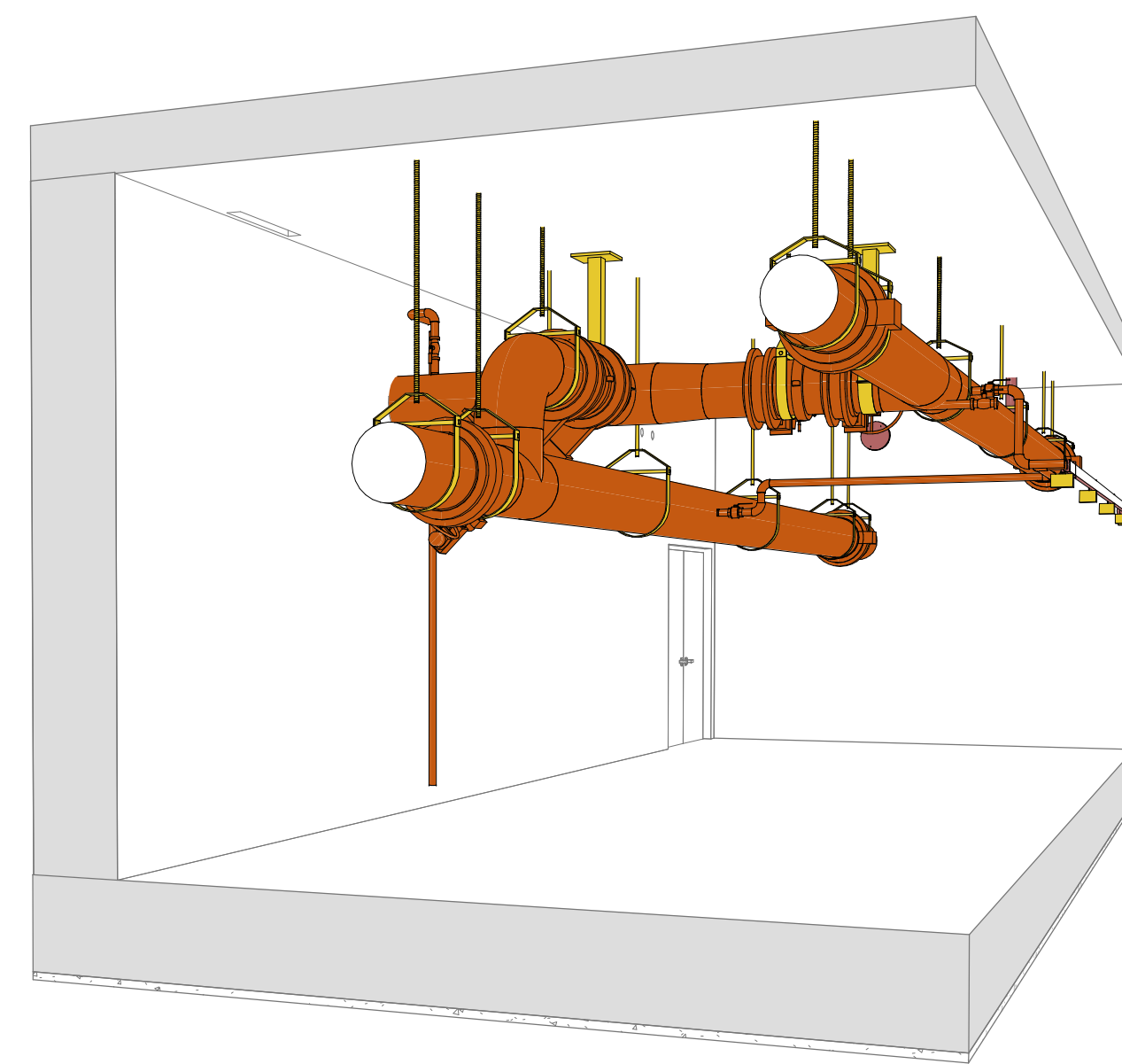
PROJECT:
 NEW NAPANEE WPCP

TITLE:
 OPERATIONS BUILDING 3D
 VIEWS 1

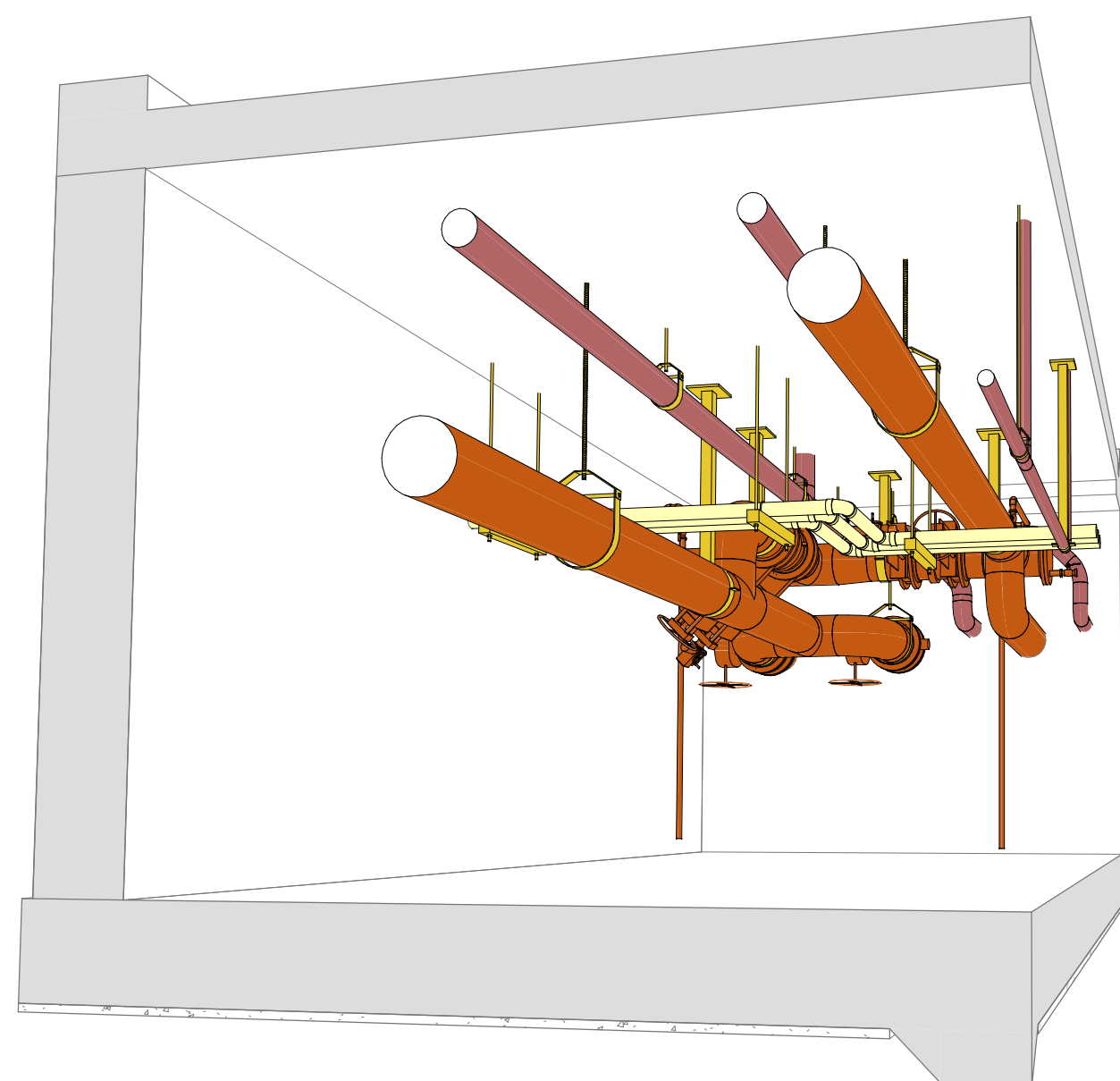
SCALE:	JOB NO: 22001
DESIGNED BY: K.K. & A.S.	DATE: 2025/01/23
DRAWN BY: E.M.	DRAWING NO. P3701
CHECKED BY: B.Y.	



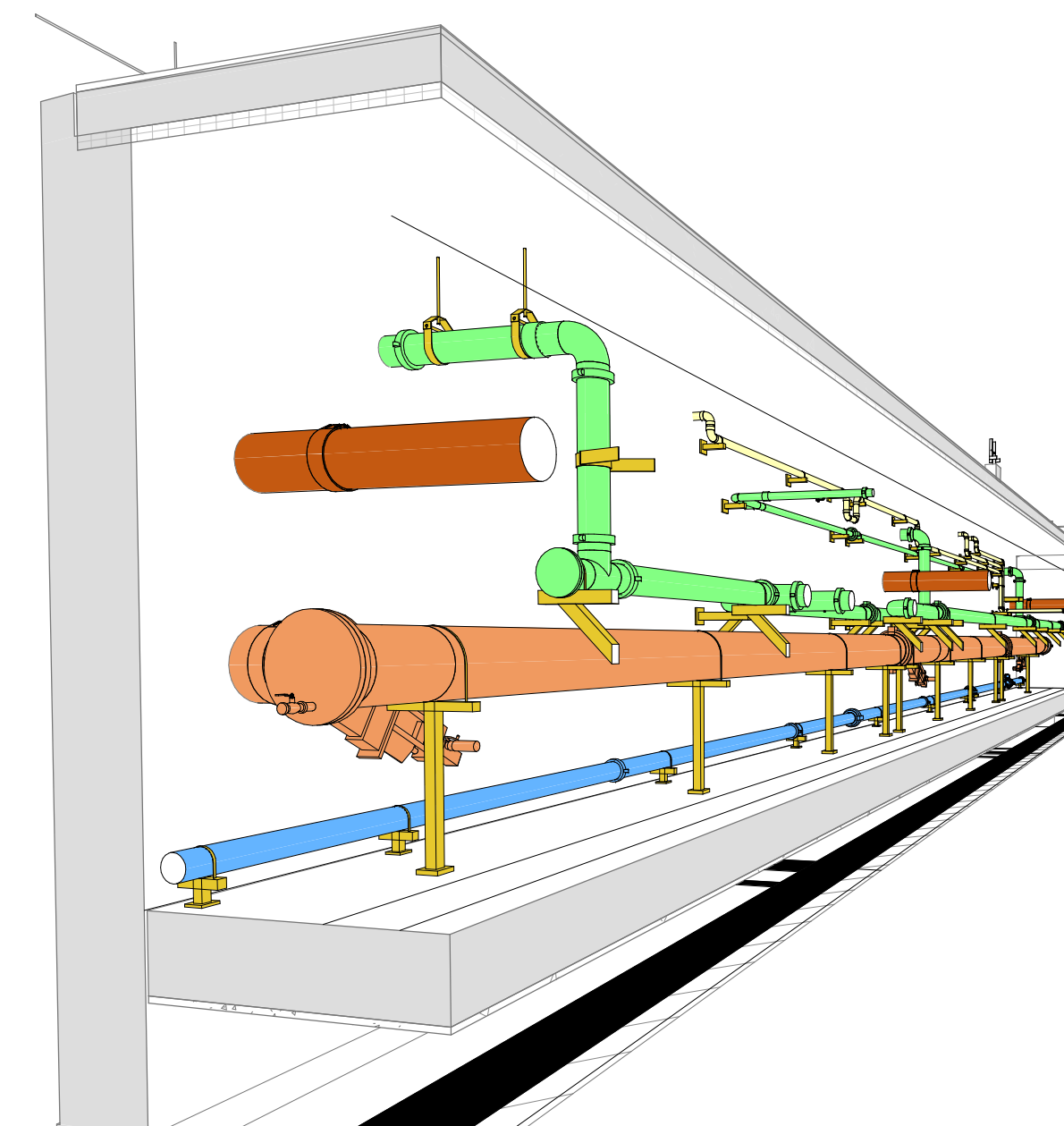
A 3D DETAIL



B 3D DETAIL



C 3D DETAIL



D 3D DETAIL

DATE	NO.	REVISION
2025/01/23	1	ISSUED FOR TENDER

THE DRAWINGS, ARRANGEMENTS, ANNOTATIONS AND GRAPHICAL PRESENTATIONS ON THIS DOCUMENT ARE THE PROPERTY OF EVB ENGINEERING AND RETAIN OWNERSHIP AND AUTHORSHIP OF THIS DOCUMENT IN ITS ENTIRETY. THIS DOCUMENT IS AN INSTRUMENT OF SERVICE AND IS THE INTELLECTUAL AND PHYSICAL PROPERTY OF EVB ENGINEERING. AUTHORIZED USE OF THIS DRAWING IS GRANTED SOLELY FOR THE PURPOSE OF THIS SPECIFIC PROJECT AND LOCATION, AND NOT FOR CONSTRUCTION OR USE FOR ANY OTHER PROJECT.
 COPYRIGHT © 2022 EVB ENGINEERING.



CONSULTANT:
EVB ENGINEERING
 800 SECOND STREET WEST
 CORNWALL, ONTARIO CANADA, K6J 1H6
 TEL: 613-935-3775 | FAX: 613-935-6450
 WEBSITE: EVBengineering.com

SUB-CONSULTANT:
CIMA+

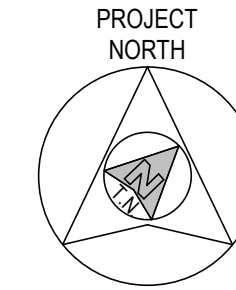
SUB-CONSULTANT:

CLIENT:
Greater Napanee
 CREATE FOR WANT REASONS

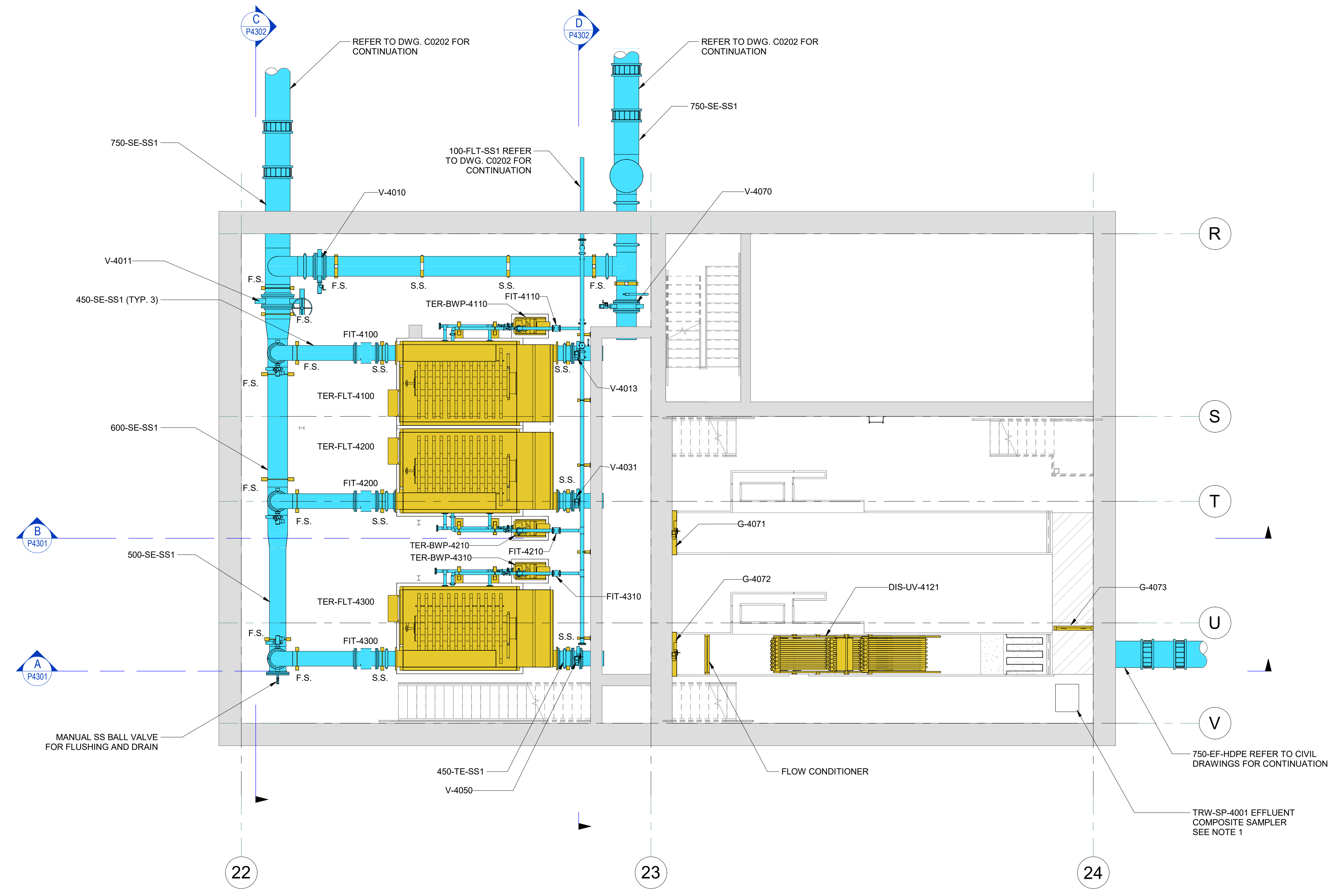
PROJECT:
NEW NAPANEE WPCP

TITLE:
OPERATIONS BUILDING 3D VIEWS 2

SCALE:	JOB NO: 22001
DESIGNED BY: K.K. & A.S.	DATE: 2025/01/23
DRAWN BY: E.M.	DRAWING NO. P3702
CHECKED BY: B.Y.	



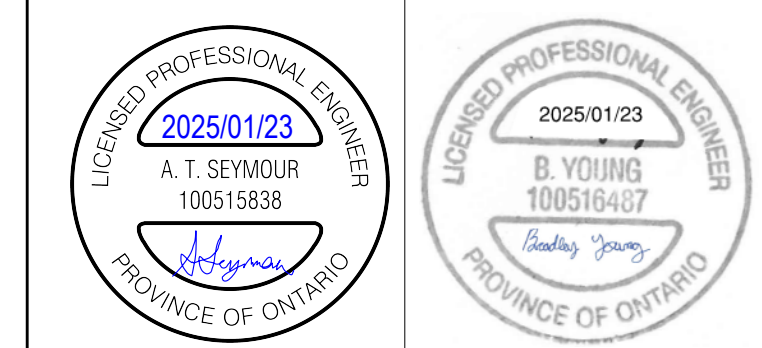
- GENERAL NOTES:**
1. CONFIRM WITH THE ENGINEER, THE ORIENTATION OF OPERATING HANDWHEEL FOR ALL VALVES.
 2. AIR RELIEF VALVES, FLUSHING AND DRAIN VALVES MAY NOT BE SHOWN ON PROCESS DRAWINGS, BUT PROVIDE THEM AS PER PROCESS DETAILS. PROVIDE 50mm MANUAL AIR RELIEF BALL VALVES ON SLUDGE PIPES IF THE CLEARANCE IS NOT SUFFICIENT FOR AUTOMATIC AIR RELIEF VALVES
 3. ALL PENETRATIONS THROUGH THE NEW WALLS AND FLOORS SHALL BE DONE WITH CAST IN PLACE PUDDLE FLANGES, NOT LINK SEALS OR PIPE BLOCK OUTS.
 4. THE SUPPORT LOCATIONS ARE SHOWN TO PROVIDE GUIDANCE ON FIXED SUPPORTS (F.S.) AND SLIDING SUPPORTS (S.S.), COMPLY WITH THE GENERAL NOTES AND SPECIFICATIONS FROM THE SUPPORT REQUIREMENTS.
 5. PIPE HANGERS SHALL NOT BE FIXED SUPPORT (POINT)



LOWER LEVEL PLAN
SCALE: 1:75

DATE	NO.	REVISION
2025/01/23	2	ISSUED FOR TENDER
2024/08/23	1	ISSUED FOR ECA APPROVAL

THE DRAWINGS, ARRANGEMENTS, ANNOTATIONS AND GRAPHICAL PRESENTATIONS ON THIS DOCUMENT ARE THE PROPERTY OF EVB ENGINEERING WHO RETAINS OWNERSHIP AND AUTHORITY OF THIS DOCUMENT. IN ITS ENTIRETY THIS DOCUMENT IS AN INSTRUMENT OF SERVICE AND IS THE INTELLECTUAL AND PHYSICAL PROPERTY OF EVB ENGINEERING. AUTHORIZED USE OF THIS DRAWING IS GRANTED SOLELY FOR THE PURPOSE OF THIS SPECIFIC PROJECT AND LOCATION, AND NOT FOR CONSTRUCTION OR USE FOR ANY OTHER PROJECT. COPYRIGHT © 2024 EVB ENGINEERING.



CONSULTANT:

800 SECOND STREET WEST
CORNWALL, ONTARIO CANADA, K6J 1H6
TEL: 613-935-3775 | FAX: 613-935-6450
WEBSITE: EVBengineering.com

SUB-CONSULTANT:

CLIENT:

CREATE FOR WANT REASONS

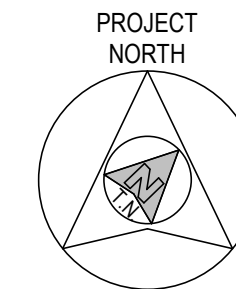
PROJECT:

NEW NAPANEE WPCP

TITLE:

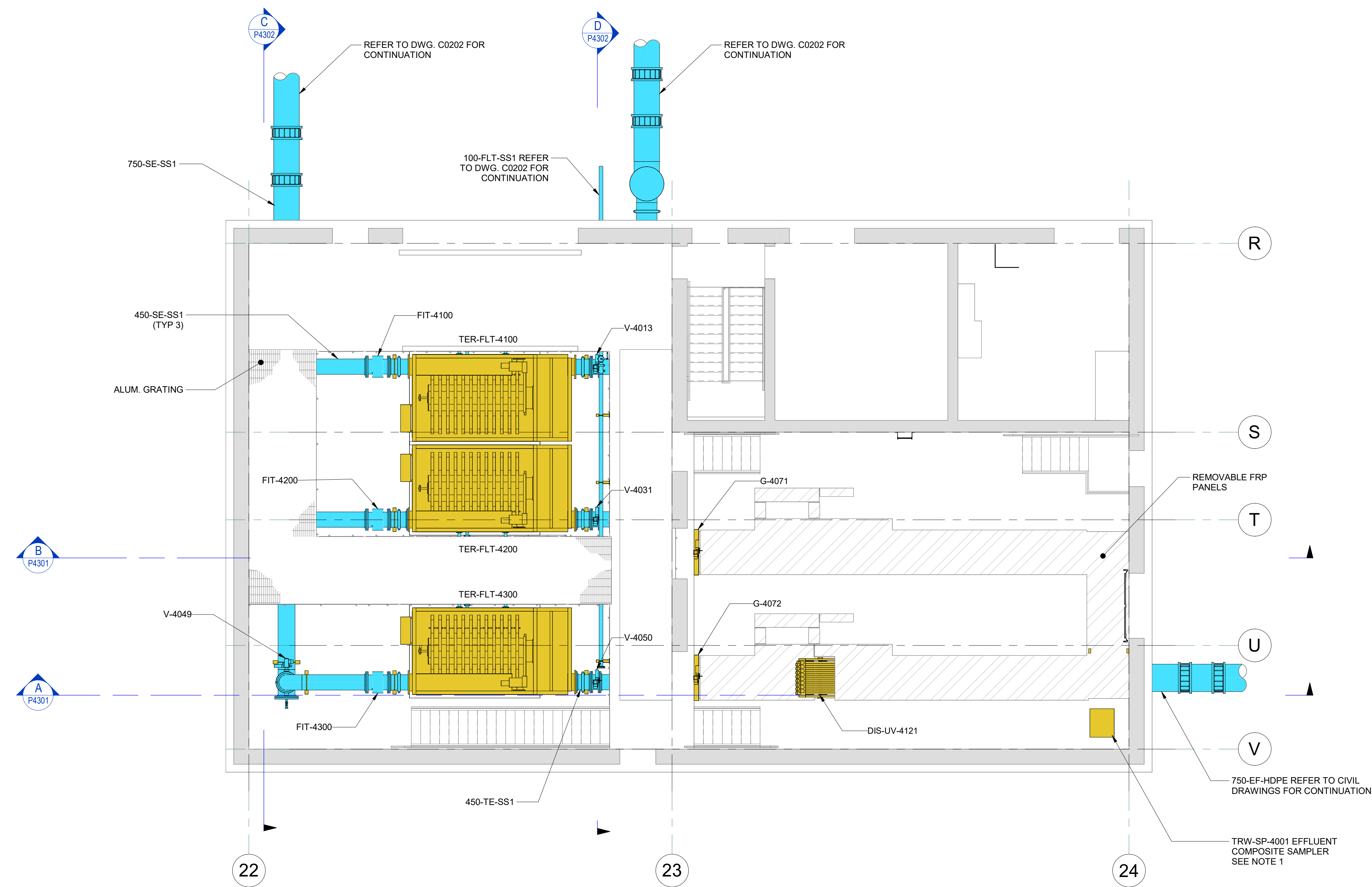
TERTIARY UV BLDG LOWER PLAN

SCALE: 1:75	JOB NO: 22001
DESIGNED BY: K.K. & A.S.	DATE: 2025/01/23
DRAWN BY: E.M.	DRAWING NO. P4101
CHECKED BY: B.Y.	



NOTES:

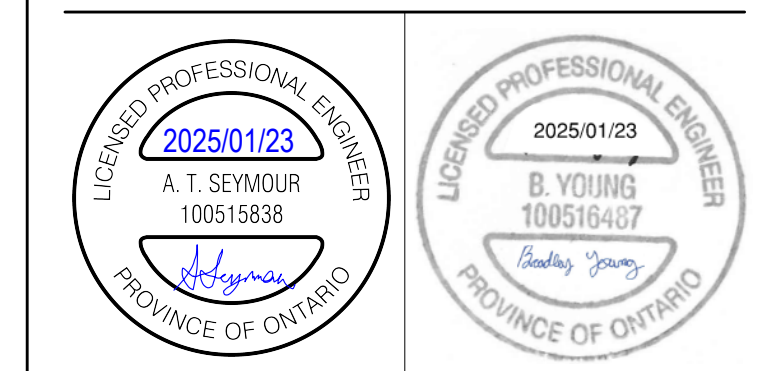
1. THE CONTRACTOR SHALL PROVIDE ALL REQUIRED CONNECTIONS FOR EFFLUENT COMPOSITE SAMPLER SUCH AS SAMPLING LINE AND CABLES.
2. REFER TO CIVIL DRAWINGS FOR YARD PIPING CONNECTIONS.



UPPER LEVEL
SCALE: 1: 75

DATE	NO.	REVISION
2025/01/23	2	ISSUED FOR TENDER
2024/08/23	1	ISSUED FOR ECA APPROVAL

THE DRAWINGS, ARRANGEMENTS, ANNOTATIONS AND GRAPHICAL PRESENTATIONS ON THIS DOCUMENT ARE THE PROPERTY OF EVB ENGINEERING WHO RETAINS OWNERSHIP AND AUTHORITY OF THIS DOCUMENT. IN ITS ENTIRETY THIS DOCUMENT IS AN INSTRUMENT OF SERVICE AND IS THE INTELLECTUAL AND PHYSICAL PROPERTY OF EVB ENGINEERING. AUTHORIZED USE OF THIS DRAWING IS GRANTED SOLELY FOR THE PURPOSE OF THIS SPECIFIC PROJECT AND LOCATION, AND NOT FOR CONSTRUCTION OR USE FOR ANY OTHER PROJECT. COPYRIGHT © 2024 EVB ENGINEERING.



CONSULTANT:

800 SECOND STREET WEST
CORNWALL, ONTARIO CANADA, K6J 1H6
TEL: 613-935-3775 | FAX: 613-935-6450
WEBSITE: EVBengineering.com

SUB-CONSULTANT:

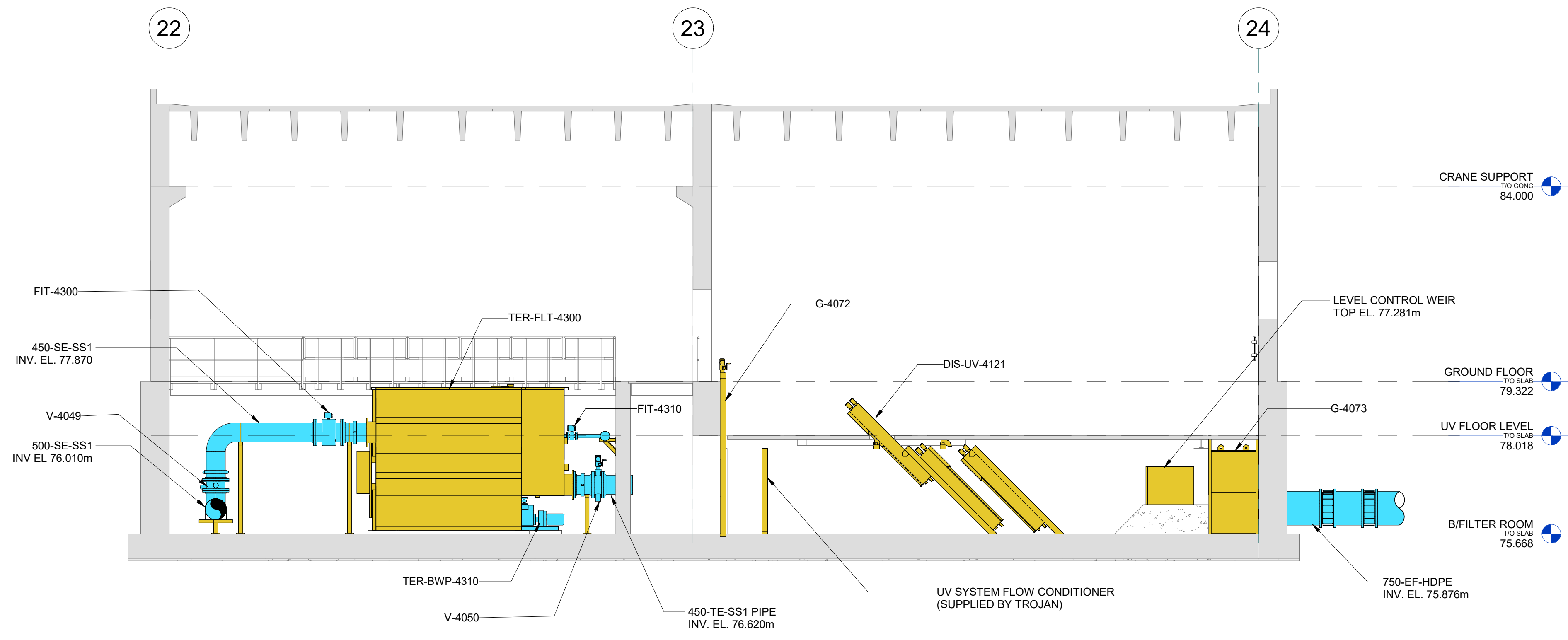
CLIENT:

GREATER FOR MANY REASONS

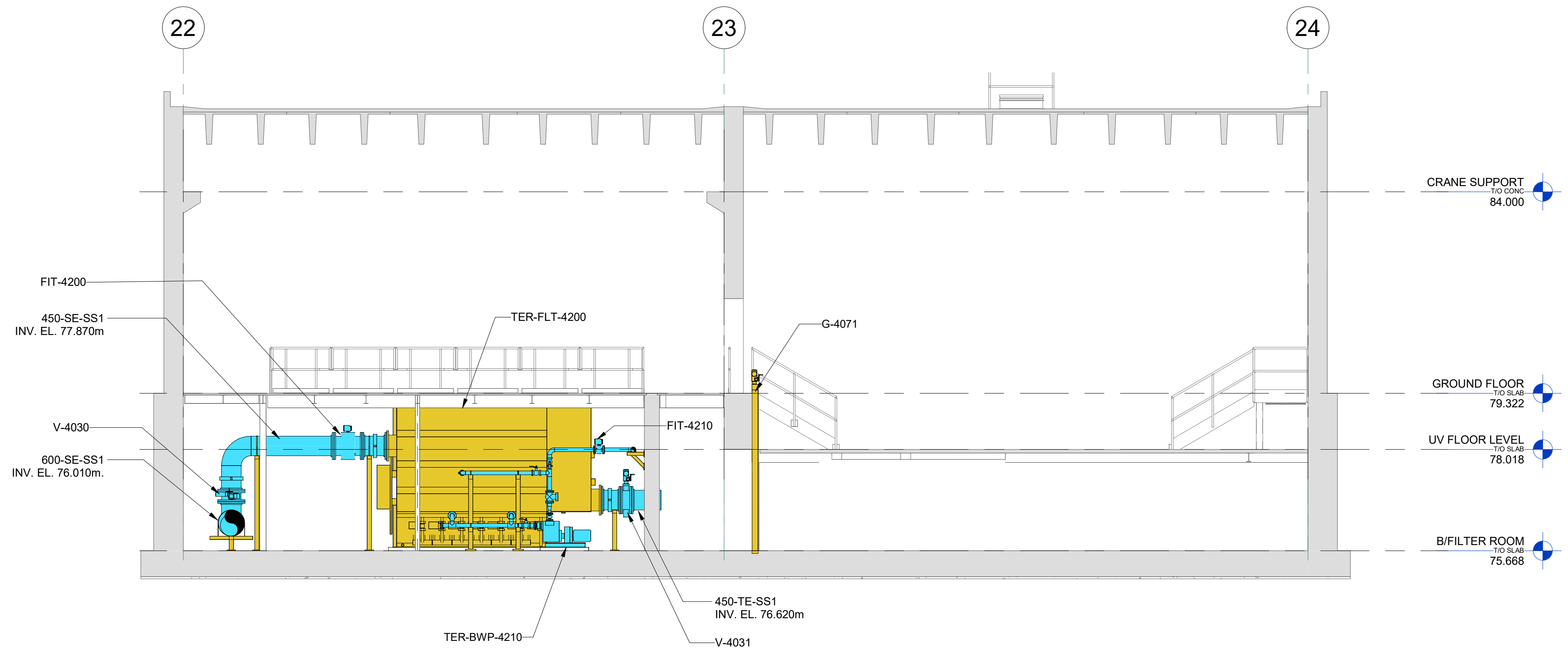
PROJECT:
NEW NAPANEE WPCP

TITLE:
TERTIARY UV BLDG UPPER PLAN

SCALE: 1: 75	JOB NO: 22001
DESIGNED BY: K.K. & A.S.	DATE: 2025/01/23
DRAWN BY: E.M.	DRAWING NO.:
CHECKED BY: B.Y.	P4102



A SECTION
P4101 SCALE: 1 : 75



B SECTION
P4101 SCALE: 1 : 75

DATE	NO.	REVISION
2025/01/23	2	ISSUED FOR TENDER
2024/08/23	1	ISSUED FOR ECA APPROVAL

THE DRAWINGS, ARRANGEMENTS, ANNOTATIONS AND GRAPHICAL PRESENTATIONS ON THIS DOCUMENT ARE THE PROPERTY OF EVB ENGINEERING WHO RETAINS OWNERSHIP AND AUTHORITY OF THIS DOCUMENT. IN ITS ENTIRETY THIS DOCUMENT IS AN INSTRUMENT OF SERVICE AND IS THE INTELLECTUAL AND PHYSICAL PROPERTY OF EVB ENGINEERING. AUTHORIZED USE OF THIS DRAWING IS GRANTED SOLELY FOR THE PURPOSE OF THIS SPECIFIC PROJECT AND LOCATION, AND NOT FOR CONSTRUCTION OR USE FOR ANY OTHER PROJECT. COPYRIGHT © 2024 EVB ENGINEERING.



CONSULTANT:
EVB ENGINEERING
 800 SECOND STREET WEST
 CORNWALL, ONTARIO CANADA, K6J 1H6
 TEL: 613-935-3775 | FAX: 613-935-6450
 WEBSITE: EVBengineering.com

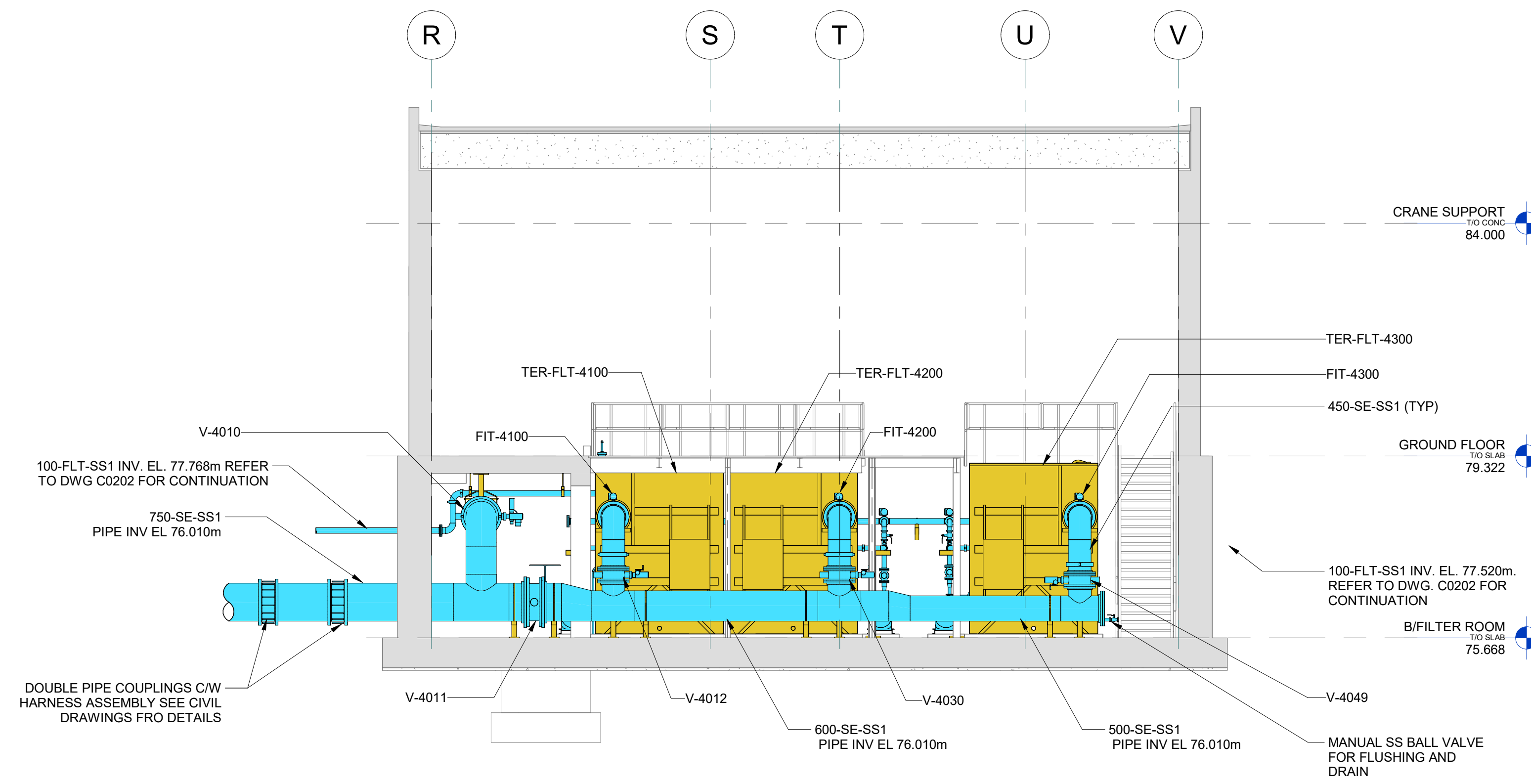
SUB-CONSULTANT:
CIMA+

CLIENT:
Greater Napanee
 CREATE FOR WHAT MATTERS

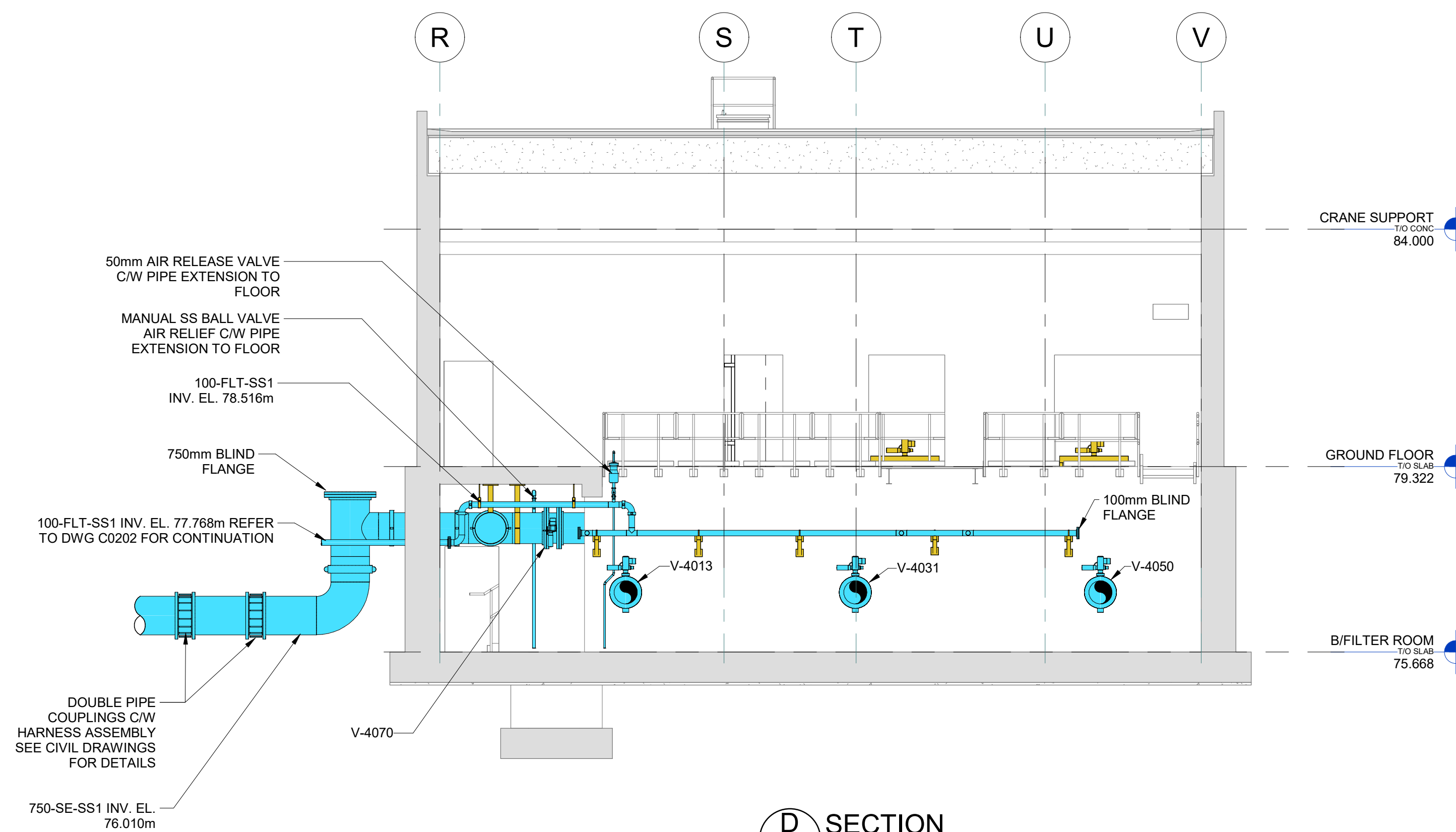
PROJECT:
NEW NAPANEE WPCP

TITLE:
TERTIARY UV BUILDING SECTIONS (1)

SCALE: 1 : 75	JOB NO. 22001
DESIGNED BY: K.K. & A.S.	DATE: 2025/01/23
DRAWN BY: E.M.	DRAWING NO. P4301
CHECKED BY: B.Y.	



C SECTION
P4101 SCALE: 1 : 75



D SECTION
P4101 SCALE: 1 : 75

DATE	NO.	REVISION
2025/01/23	2	ISSUED FOR TENDER
2024/08/23	1	ISSUED FOR ECA APPROVAL

THE DRAWINGS, ARRANGEMENTS, ANNOTATIONS AND GRAPHICAL PRESENTATIONS ON THIS DOCUMENT ARE THE PROPERTY OF EVB ENGINEERING WHO RETAINS OWNERSHIP AND AUTHORSHIP OF THIS DOCUMENT. IN ITS ENTIRETY THIS DOCUMENT IS AN INSTRUMENT OF SERVICE AND IS THE INTELLECTUAL AND PHYSICAL PROPERTY OF EVB ENGINEERING. AUTHORIZED USE OF THIS DRAWING IS GRANTED SOLELY FOR THE PURPOSE OF THIS SPECIFIC PROJECT AND LOCATION, AND NOT FOR CONSTRUCTION OR USE FOR ANY OTHER PROJECT. COPYRIGHT © 2024 EVB ENGINEERING.



CONSULTANT:
EVB ENGINEERING
 800 SECOND STREET WEST
 CORNWALL, ONTARIO CANADA, K6J 1H6
 TEL: 613-935-3775 | FAX: 613-935-6450
 WEBSITE: EVBengineering.com

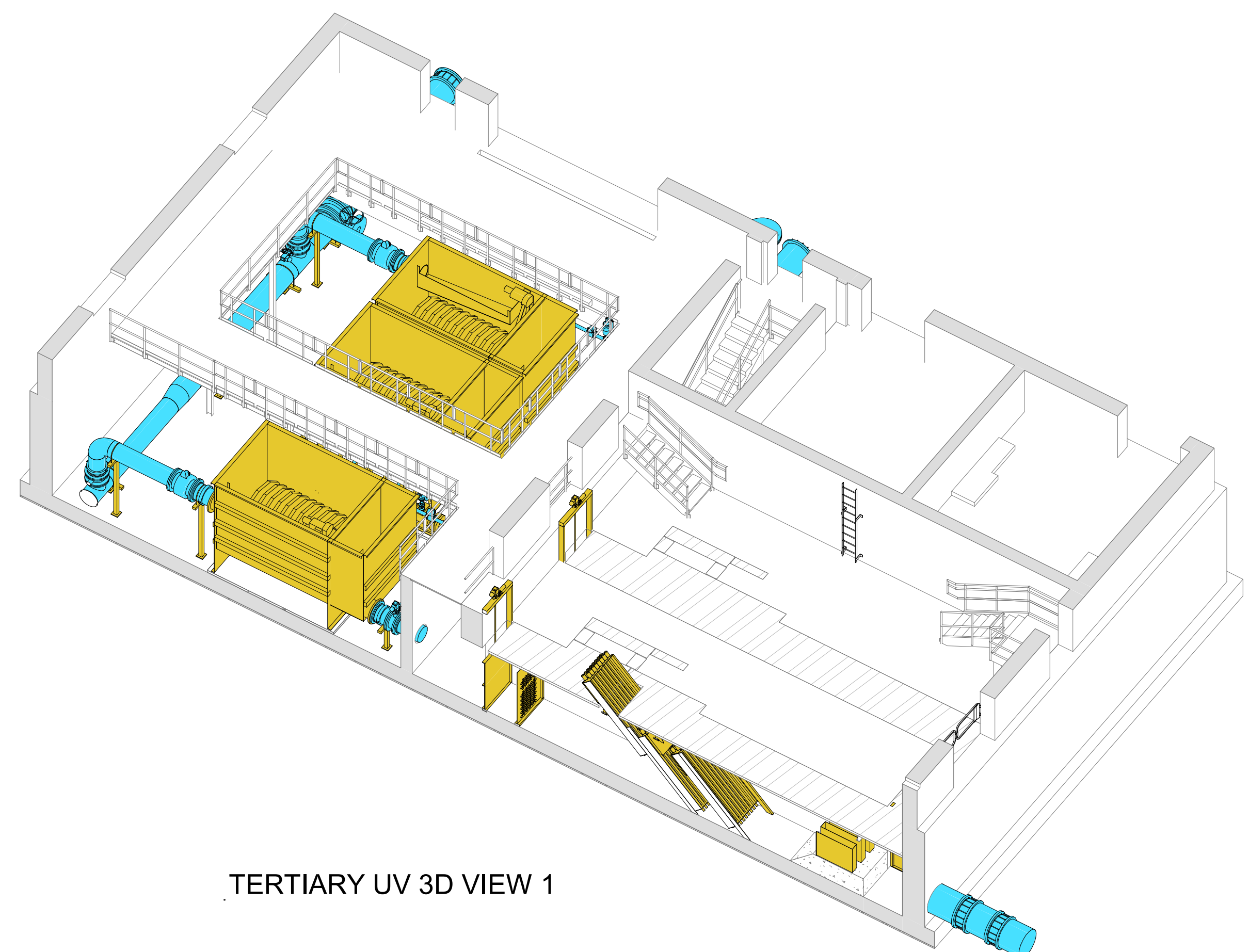
SUB-CONSULTANT:
CIMA+

CLIENT:
Greater Napanee
 CREATE FOR WHAT REASONS

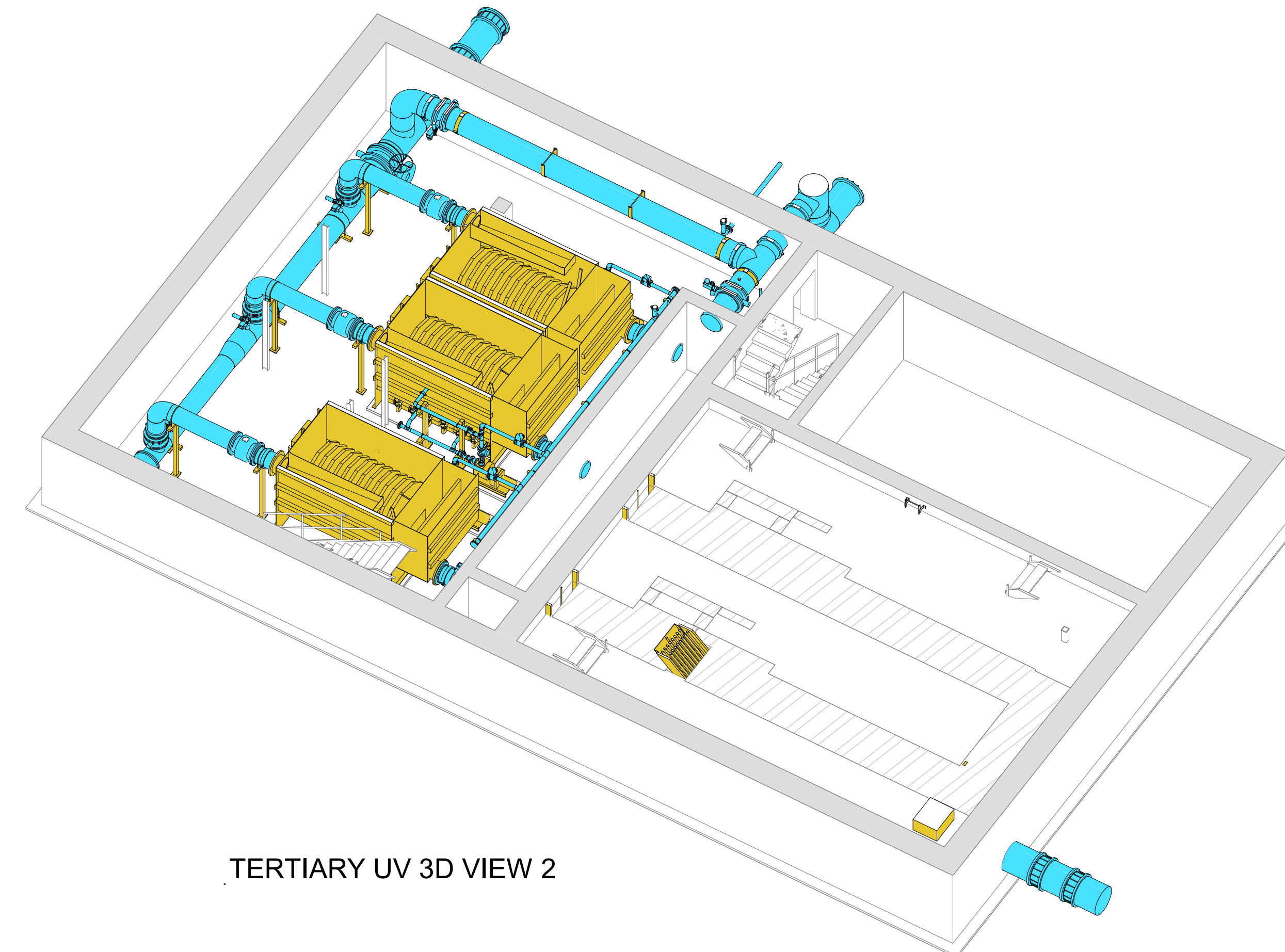
PROJECT:
NEW NAPANEE WPCP

TITLE:
TERTIARY UV BUILDING SECTIONS (2)

SCALE: 1 : 75	JOB NO: 22001
DESIGNED BY: K.K. & A.S.	DATE: 2025/01/23
DRAWN BY: E.M.	DRAWING NO. P4302
CHECKED BY: B.Y.	



TERTIARY UV 3D VIEW 1



TERTIARY UV 3D VIEW 2

DATE	NO.	REVISION
2025/01/23	2	ISSUED FOR TENDER
2024/08/23	1	ISSUED FOR ECA APPROVAL

THE DRAWINGS, ARRANGEMENTS, ANNOTATIONS AND GRAPHICAL PRESENTATIONS ON THIS DOCUMENT ARE THE PROPERTY OF EVB ENGINEERING WHO RETAINS OWNERSHIP AND AUTHORSHIP OF THIS DOCUMENT. IN ITS ENTIRETY THIS DOCUMENT IS AN INSTRUMENT OF SERVICE AND IS THE INTELLECTUAL AND PHYSICAL PROPERTY OF EVB ENGINEERING. AUTHORIZED USE OF THIS DRAWING IS GRANTED SOLELY FOR THE PURPOSE OF THIS SPECIFIC PROJECT AND LOCATION, AND NOT FOR CONSTRUCTION OR USE FOR ANY OTHER PROJECT. COPYRIGHT © 2024 EVB ENGINEERING.



CONSULTANT:

EVB ENGINEERING
 800 SECOND STREET WEST
 CORNWALL, ONTARIO CANADA, K6J 1H6
 TEL: 613-935-3775 | FAX: 613-935-6450
 WEBSITE: EVBengineering.com

SUB-CONSULTANT:

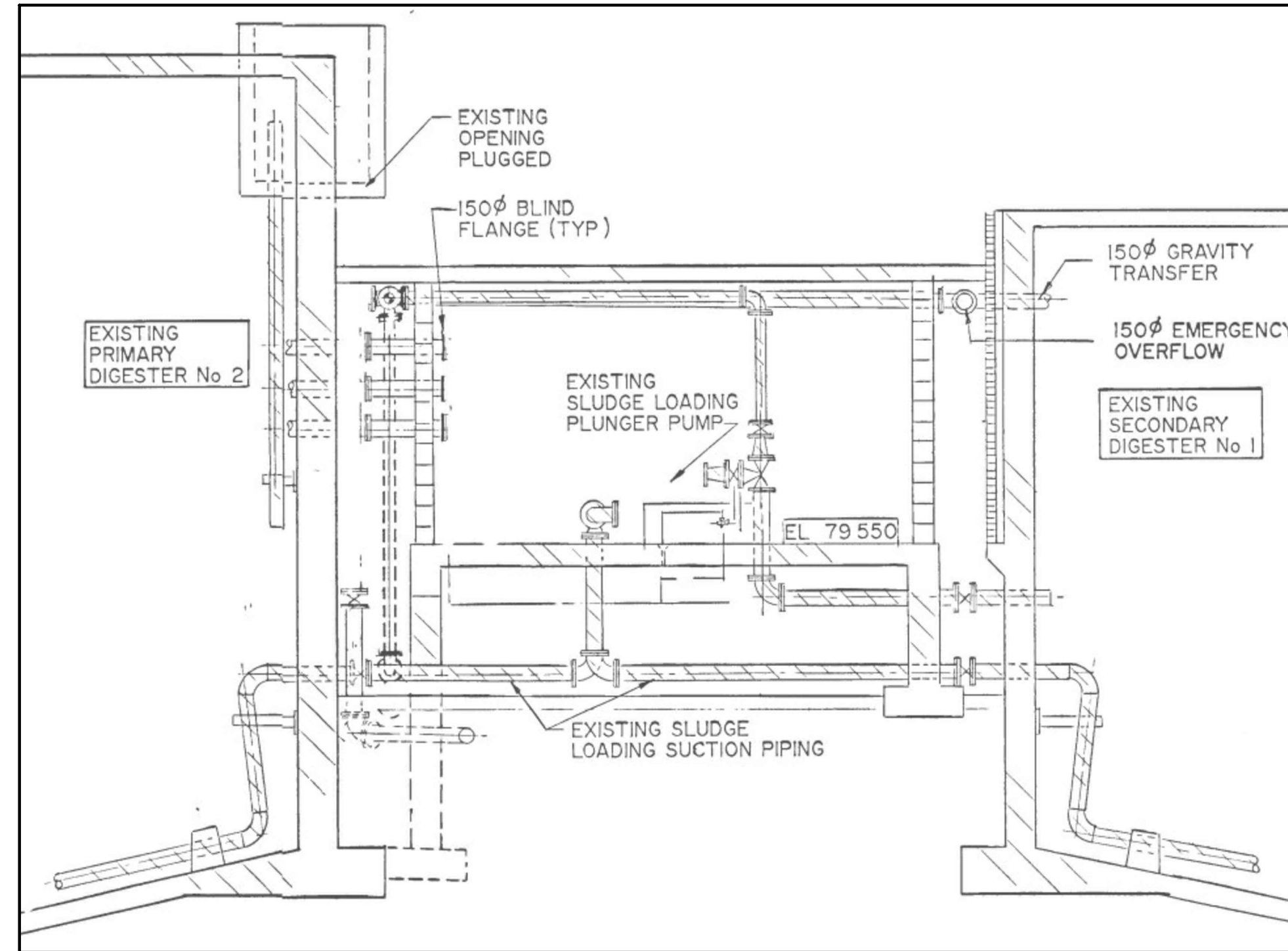

CLIENT:

 Greater Napanee
 CREATE FOR WANT REASONS

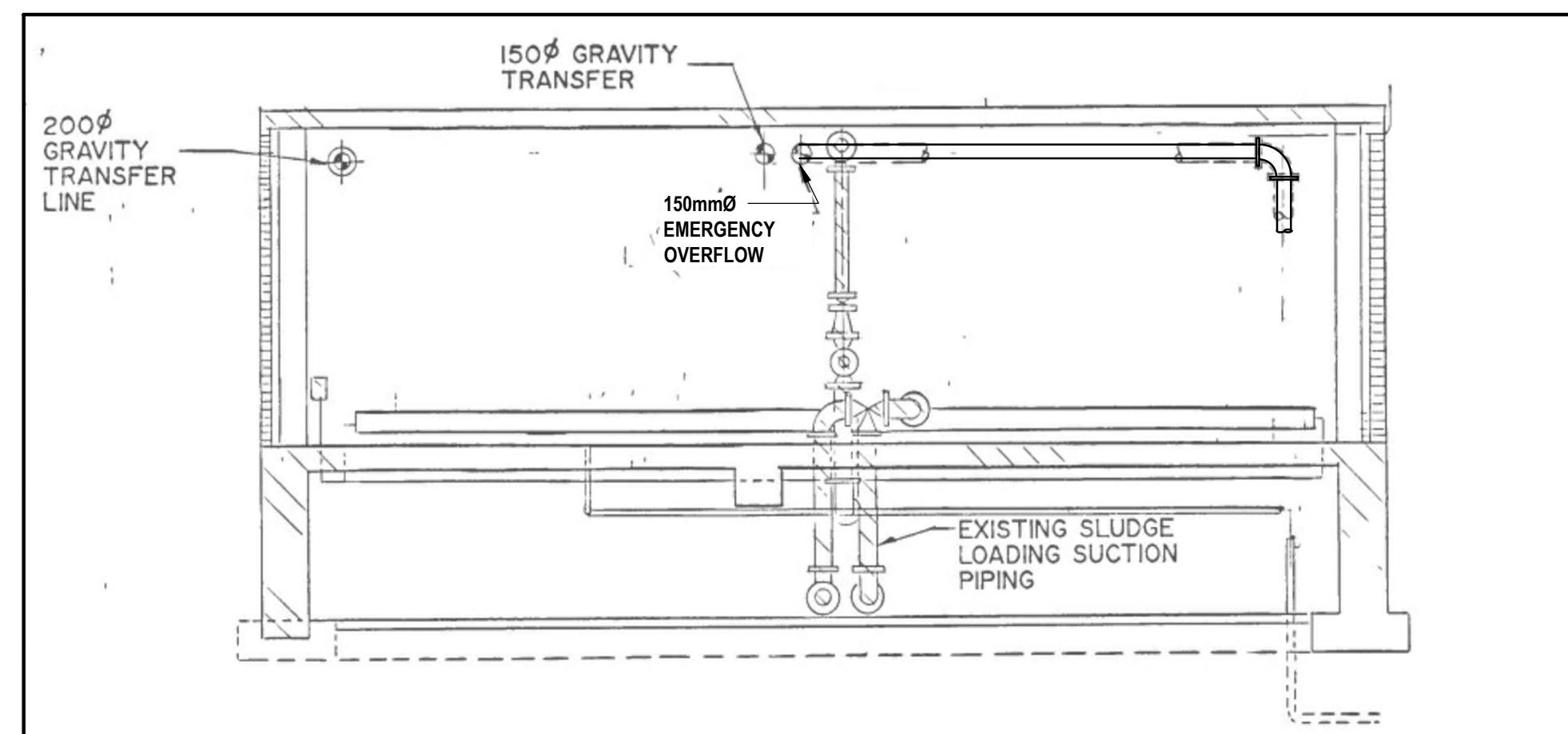
PROJECT:
NEW NAPANEE WPCP

TITLE:
TERTIARY UV BLDG 3D VIEWS

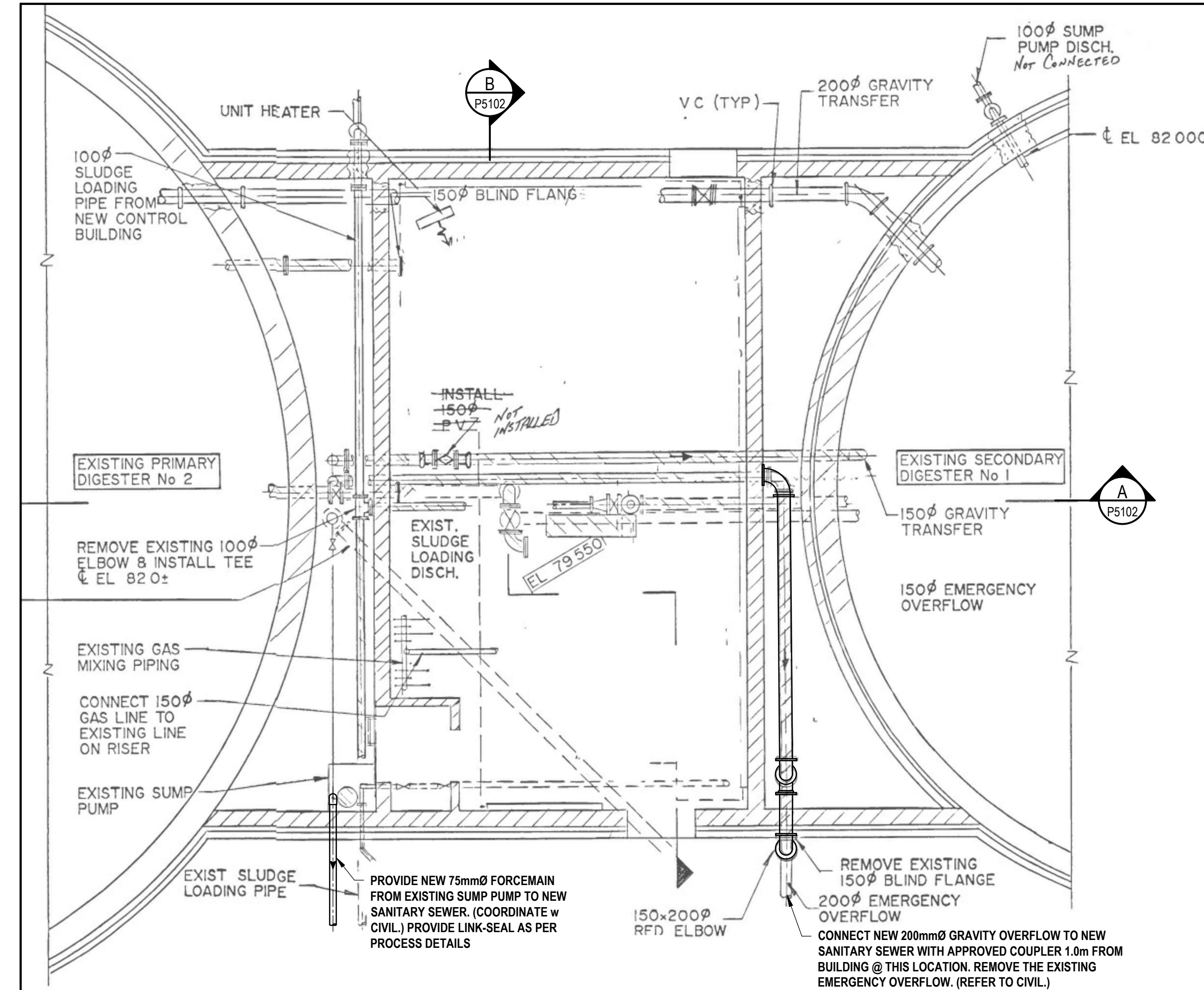
SCALE:	JOB NO: 22001
DESIGNED BY: K.K. & A.S.	DATE: 2025/01/23
DRAWN BY: E.M.	DRAWING NO. P4701
CHECKED BY: B.Y.	



A SECTION A
SCALE: ±1:50



B SECTION B
SCALE: ±1:50



PLAN VIEW: EXISTING PRIMARY DIGESTERS & CONTROL BUILDING

SCALE: ±1:50



PHOTO #1: EXISTING SUMP PIT
SCALE: N.T.S.

DATE	No.	REVISION
2025/01/23	2	ISSUED FOR TENDER
2024/08/23	1	ISSUED FOR ECA APPROVAL

THE DRAWINGS, ARRANGEMENTS, ANNOTATIONS AND GRAPHICAL PRESENTATIONS ON THIS DOCUMENT ARE THE PROPERTY OF EVB ENGINEERING WHO RETAINS OWNERSHIP AND AUTHORSHIP OF THIS DOCUMENT IN ITS ENTIRETY. THIS DOCUMENT IS AN INSTRUMENT OF SERVICE AND IS THE INTELLECTUAL AND PHYSICAL PROPERTY OF EVB ENGINEERING. AUTHORIZED USE OF THIS DRAWING IS GRANTED SOLELY FOR THE PURPOSE OF THIS SPECIFIC PROJECT AND LOCATION, AND NOT FOR CONSTRUCTION OR USE FOR ANY OTHER PROJECT.
COPYRIGHT © 2024 EVB ENGINEERING.



CONSULTANT:
EVB ENGINEERING
 800 SECOND STREET WEST
 CORNWALL, ONTARIO CANADA, K6J 1H6
 TEL: 613-935-3775 | FAX: 613-935-6450
 WEBSITE: EVBengineering.com

SUB-CONSULTANT:
CIMA+

CLIENT:
Greater Napanee
 SERVICES FOR MANY RESIDENTS

PROJECT:
NEW NAPANEE WPCP

TITLE:
EXISTING DIGESTER 2&3

SCALE: AS SHOWN	JOB NO: 22001
DESIGNED BY: J.B.	DATE: 2025/01/23
DRAWN BY: K.B.W.	DRAWING NO.
CHECKED BY: J.B.	P5102

NEW NAPANEE WPCP

300 WATER ST. W, NAPANEE, ONTARIO

DRAWING LIST:

M0001	MECHANICAL DRAWING LIST AND SCHEDULES
M0002	MECHANICAL HEATING WATER SCHEDULE AND DETAILS
M0003	MECHANICAL SITE PLAN
M1101	HEADWORKS BUILDING - GROUND FLOOR HVAC
M1102	HEADWORKS BUILDING - ROOF HVAC
M1103	HEADWORKS BUILDING - GROUND FLOOR PLUMBING
M1106	HEADWORKS BUILDING - GROUND FLOOR UTILITIES & FIRE PROTECTION
M3101	OPERATIONS BUILDING - GROUND FLOOR HVAC
M3102	OPERATIONS BUILDING - SECOND FLOOR HVAC
M3104	OPERATIONS BUILDING - GROUND FLOOR PLUMBING
M3106	OPERATIONS BUILDING - SECOND FLOOR PLUMBING
M3108	OPERATIONS BUILDING - GROUND FLOOR UTILITIES & FIRE PROTECTION
M3109	OPERATIONS BUILDING - SECOND FLOOR UTILITIES & FIRE PROTECTION
M4101	TERTIARY/UV BUILDING - GROUND FLOOR HVAC
M4102	TERTIARY/UV BUILDING - GROUND FLOOR UTILITIES & FIRE PROTECTION
M4103	TERTIARY/UV BUILDING - GROUND FLOOR PLUMBING

MECHANICAL LEGEND			
—	ABOVE GROUND SERVICES		SQUARE DUCTWORK
- - - -	BELOW GRADE SERVICES		ROUND DUCTWORK
⊙ FE1	SEMI-RECESSED FIRE EXTINGUISHER		ACOUSTICALLY LINED DUCTWORK
⊙ FE2	WALL HUNG FIRE EXTINGUISHER C/W BRACKET		INSULATED ACOUSTIC FLEXIBLE DUCTWORK
—DCW—	DOMESTIC COLD WATER PIPING		DUCT UP
—DCW-NP—	COLD WATER PIPING - NON-POTABLE		DUCT DOWN
—DHW—	DOMESTIC HOT WATER PIPING		MOTORIZED DAMPER
—SAN—	SANITARY PIPING		TURNING VANES
—STM—	STORM PIPING		DUCT SPIN-IN WITH BALANCING DAMPER
—HWS—	HEATING WATER SUPPLY PIPING	— BD	BALANCING DAMPER
—HWR—	HEATING WATER RETURN PIPING	— BOD	BACK DRAFT DAMPER
—NG—	NATURAL GAS PIPING		FIRE DAMPER
—BIOGAS—	BIOGAS PIPING		DIFFUSER TAG
—	PIPE REDUCER		NECK SIZE
—	PIPE THROUGH		AIRFLOW
—	PIPE DOWN		CONTROL WIRING
—	PIPE UP		
—	PIPE MOUNTED (HORIZONTAL) CLEAN OUT		
—	FLOOR MOUNTED CLEAN OUT		
FD1	STANDARD FLOOR DRAIN		
FD2	HUB STYLE FLOOR DRAIN		
NFB	NON-FREEZE HOSE-BIBB		
HB1	INTERNAL HOSE-BIBB		
HTR	PRESSURE AND TEMPERATURE RELIEF VALVE		
—	PIPE CAP		
—	CONTROL VALVE		
—	UNION		
—	ISOLATION VALVE		
—	ISOLATION VALVE - VERTICAL PIPE		
—	CIRCUIT BALANCING VALVE		
—	CHECK VALVE		
—	STRAINER		
—	THERMOSTATIC MIXING VALVE		
—	PUMP WITH REDUCERS		
—	PRESSURE GAUGE		
—	CONTROL VALVE		
—	AUTOMATIC AIR RELIEF VALVE		
—	TEMPERATURE GAUGE		
—	AIR SEPARATOR		
—	WALL FIN CONVECTOR		

FLUID HEATER SCHEDULE										
TAG	TYPE	AIRFLOW (CFM)	HEATING CAP (MEH)	FLUID FLOW (GPM)	W.P.D. (°W.C.)	ELECTRICAL			BASIS OF DESIGN	NOTES
						A	RPM	(V/PHz)		
Operations Building										
UH1	UNIT HEATER	5000	186.3	20.7	3.15	6.7	1075	120/1/60	ROSEMEXH-250	
UH2	UNIT HEATER	880	29.7	3.3	4.1	0.94	1550	120/1/60	ROSEMEXH-36	
UH3	EXPLOSION PROOF UNIT HEATER	880	29.7	3.3	4.1	0.94	1550	120/1/60	ROSEMEXH-36	
UH4	EXPLOSION PROOF UNIT HEATER	5000	186.3	20.7	3.15	6.7	1075	120/1/60	ROSEMEXH-250	
FF1	CEILING MOUNTED FORCE FLOW	600	35.1	4.2	1.5	1.9	-	120/1/60	SGMA-SFF-06-C-71	
FF2	WALL MOUNTED FORCE FLOW	600	35.1	4.2	1.5	1.9	-	120/1/60	SGMA-SFF-06-W-21	
FF3	WALL MOUNTED FORCE FLOW	600	35.1	4.2	1.5	1.9	-	120/1/60	SGMA-SFF-06-W-21	EXPLOSION PROOF UNIT
RH1	REHEAT COIL	1250	111	12.3	-	-	-	-	-	
RH2	REHEAT COIL	2200	196	21.8	-	-	-	-	-	

NOTES: 1. UNIT SIZING BASED ON 180°F E.G.T., 20°F GT.
2. FLUID TO BE 50% ETHYLENE GLYCOL.
3. UNITS TO BE SUPPLIED WITH REMOTE THERMOSTATS FOR FIELD INSTALLATION BY EMCS CONTRACTOR.
4. LOCATION AND QUANTITIES AS PER DRAWINGS. TAGS ARE TYPES NOT INDIVIDUAL UNITS.

FAN SCHEDULE										
TAG	AREA SERVED	TYPE	AIRFLOW (CFM)	E.S.P. (°W.C.)	ELECTRICAL			BASIS OF DESIGN	NOTES	
					A	RPM	(V/PHz)			
Headworks Building										
EF12	ELEC RM (1106)	STANDARD	300	0.5	1.6	120/1/60	PENNBARRY ZEPHYR ZH(TDA)	FAN ALWAYS ENERGIZED		
EF13	ELECTRICAL ROOM (1202)	STANDARD	400	0.5	4.5	120/1/60	PENNBARRY ZEPHYR ZH(TDA)	FAN TO OPERATE ON REVERSE ACTING, LINE VOLTAGE TSTAT		
Operations Building										
EF1	PIPE SERVICE AREA (105)	EXPLOSION PROOF	1250	0.75	7.9	120/1/60	PENNBARRY ZEPHYR ZH(TDA)	FAN ALWAYS ENERGIZED		
EF2	AGS PIPING GALLERY (103)	STANDARD	4400	0.375	3/4 HP	575/3/60	PENNBARRY BREEZEWAY BC30W3	FAN ALWAYS ENERGIZED		
EF3	MECH ROOM (104)	STANDARD	500	0.375	4.5	120/1/60	PENNBARRY ZEPHYR ZH(TDA)	FAN TO OPERATE ON REVERSE ACTING, LINE VOLTAGE TSTAT		
EF4	WASH ROOM (205)	EXPLOSION PROOF	1500	0.5	0.4 HP	575/3/60	PENNBARRY ZEPHYR ZH(TDA)	FAN ALWAYS ENERGIZED		
EF5	ELECTRICAL ROOM (204)	STANDARD	1000	0.5	7.5	120/1/60	PENNBARRY ZEPHYR ZH(TDA)	FAN TO OPERATE ON REVERSE ACTING, LINE VOLTAGE TSTAT		
EF6	BLOWER ROOM (206)	STANDARD	1300	0.5	7.9	120/1/60	PENNBARRY ZEPHYR ZH(TDA)	FAN ALWAYS ENERGIZED		
EF11	STAIRWELL (201)	EXPLOSION PROOF	-	0.5	-	120/1/60	-	FAN ALWAYS ENERGIZED		
Tertiary Building										
EF7	LV RM LOWER CORRIDOR	STANDARD	575	0.5	3.6	120/1/60	PENNBARRY ZEPHYR ZH(TDA)	FAN ALWAYS ENERGIZED		
EF8	FILTER ROOM	STANDARD	3400	0.5	3/4 HP	575/3/60	PENNBARRY BREEZEWAY BC30W3	FAN ALWAYS ENERGIZED		
EF9	ELECTRICAL ROOM	STANDARD	300	0.5	1.6	120/1/60	PENNBARRY ZEPHYR ZH(TDA)	FAN TO OPERATE ON REVERSE ACTING, LINE VOLTAGE TSTAT		
EF10	LV ROOM	STANDARD	1700	0.5	0.4 HP	575/3/60	PENNBARRY ZEPHYR ZH(TDA)	FAN ALWAYS ENERGIZED		
TF1	STORAGE ROOM	STANDARD	300	0.5	1.6	120/1/60	PENNBARRY ZEPHYR ZH(TDA)	FAN ALWAYS ENERGIZED		

NOTES: 1. 120V FANS ARE TO COME WITH MANUFACTURER SUPPLIED SPEED CONTROLLERS, FIELD INSTALLED BY DIV 16. DIV 15 TO COORDINATE WITH DIV 16.
2. ALL UNITS ARE TO BE SUPPLIED WITH MANUFACTURER INSTALLED DISCONNECTS.

PUMP SCHEDULE										
TAG	AREA SERVED	USE	TYPE	FLOW (GPM)	HEAD (°W.C.)	ELECTRICAL			BASIS OF DESIGN	NOTES
						HP	(V/PHz)			
BP1	BOILER	PRIMARY PUMP	VERTICAL INLINE	187	30	5	575/3/60	-		PUMP FROM BOILER MANUFACTURER
BP2	BOILER	PRIMARY PUMP	VERTICAL INLINE	187	30	5	575/3/60	-		PUMP FROM BOILER MANUFACTURER
P1	DIGESTER	PROCESS HEATING	VERTICAL INLINE	40	50	1.5	575/3/60	ARMSTRONG 4300 1205-001.5		
P2	DIGESTER	PROCESS HEATING	VERTICAL INLINE	40	50	1.5	575/3/60	ARMSTRONG 4300 1205-001.5		
Pa	OPERATION BLDG	SPACE HEATING	DUAL ARM	152	50	5	575/3/60	ARMSTRONG TANGO 4322 1205-005.0		
Pb	OPERATION BLDG	SPACE HEATING	DUAL ARM	152	50	5	575/3/60	ARMSTRONG TANGO 4322 1205-005.0		
Pa	HEADWORKS	SPACE HEATING	DUAL ARM	146	70	5	575/3/60	ARMSTRONG TANGO 4322 1205-005.0		
Pb	HEADWORKS	SPACE HEATING	DUAL ARM	146	70	5	575/3/60	ARMSTRONG TANGO 4322 1205-005.0		
Pa	TERTIARY	SPACE HEATING	DUAL ARM	73	66	3	575/3/60	ARMSTRONG TANGO 4322 1205-003.0		
Pb	TERTIARY	SPACE HEATING	DUAL ARM	73	66	3	575/3/60	ARMSTRONG TANGO 4322 1205-003.0		
SP1	TERTIARY FILTER RM	SAN PUMP	SUMP PUMP	25	10	1/4	120/1/60	ZOELLER WMS-0006 WITH 20" COORD		
SP2	TERTIARY FILTER RM	SAN PUMP	SUMP PUMP	25	10	1/4	120/1/60	ZOELLER WMS-0006 WITH 20" COORD		
RP	HEADWORKS SDHW	RECIRC PUMP	VERTICAL RECIRC	15	12	1.9A	120/1/60	ARMSTRONG ASTRO 230SS		SUITABLE FOR DOMESTIC WATER USE, C/W AQUASTAT

NOTES: 1. PUMPS TO BE PROVIDED WITH VFD DRIVE. VFD DRIVES TO BE INSTALLED AS PER SRS REQUIREMENTS. COORDINATE WITH ELECTRICAL CONTRACTOR.

BOILER SCHEDULE										
TAG	FUEL TYPE	INPUT (MEH)	LWT (°F)	BWT (°F)	ELECTRICAL			BASIS OF DESIGN	NOTES	
					W	(V/PHz)				
B1	NG & BIOGAS	3,000	180	160	3350	208/3/60	RELLO RTC3000-80 + RS100 GGW, DG HEAD			
B2	NG & BIOGAS	3,000	180	160	3350	208/3/60	RELLO RTC3000-80 + RS100 GGW, DG HEAD			

NOTES: 1. INCOMING GAS PRESSURE TO BE 14" W.C.
2. FLUID TO BE 50% ETHYLENE GLYCOL.

EXPANSION TANK										
TAG	AREA SERVED	TYPE	TANK VOLUME (GAL)	BASIS OF DESIGN	NOTES					
						ET1	HEADWORKS OFFICE	HEATING	254	EXPANFLEX ALT-1000
ET2	HEADWORKS OFFICE	DOMESTIC HEATING	3.2	EXPANFLEX HGTE-8	-					
ET3	OPERATIONS	DOMESTIC HEATING	3.2	EXPANFLEX HGTE-8	-					
ET4	TERTIARY BUILDING	DOMESTIC HEATING	3.2	EXPANFLEX HGTE-8	-					

NOTES: 1.

ROOFTOP SCHEDULE													
TAG	AREA SERVED	AIRFLOW (CFM)	E.S.P. (°W.C.)	COOLING		HEATING		FILTER	ELECTRICAL			BASIS OF DESIGN	NOTES
				SENS (MEH)	TOTAL (MEH)	CAP (MEH)	FLOW (CFM)		L.F.T. (°F)	FLA/MCA/MOP	(V/PHz)		
RTU1	HEADWORKS PROCESS AREA	10,000	2.5	235	301	444.6	49.5	140	2" MERV 8	-28.5/46	575/3/60	SOUTH HAMPTON INDUSTRIAL	CLASS 1 DIV2 UNIT C/W REMOTE CONDENSING UNIT
COND1	-	-	-	236.2	303.2	-	-	-	-	35/39/50	575/3/60	AAON RNA SERIES CFA-025-C-A-4-DL0K	CONDENSING UNIT ASSOCIATED WITH RTU1
RTU2	HEADWORKS OFFICE	1,600	1.0	46	55.2	199.7	22	159.6	2" MERV 8	12/13/15	575/3/60	AAON RQA-004-AA-4-GBGA	

NOTES: 1. ALL HEATING COILS SIZED FOR OPERATION ON 50% ETHYLENE GLYCOL.
2. ALL UNITS TO BE MOUNTED ON MINIMUM 1500mm HIGH SESMIC ROOF CURBS.

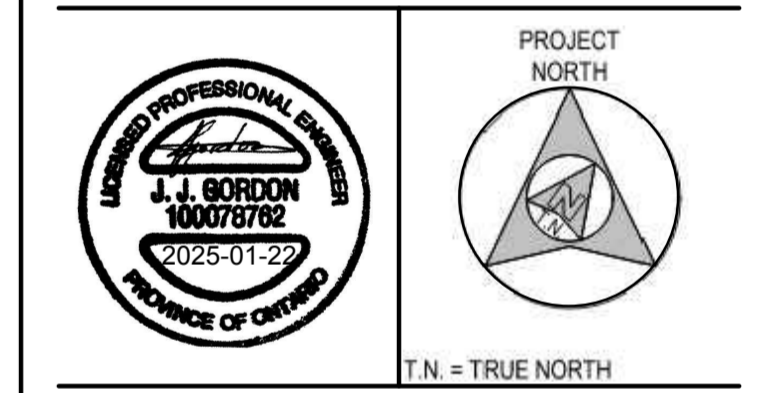
DX SPLIT SCHEDULE												
TAG	AREA SERVED	COOLING CAPACITY (MEH)	RATED CAPACITY (BTU/H)	ELECTRICAL			BASIS OF DESIGN	NOTES				
				RATED AMPS	(V/PHz)							
AC1.1	HEADWORKS ELEC RM	30	0.51	208/1/60	LGARNU03S/A4	C1	60	64	19.5/25/40	208/1/60	LGARJUN060GSS4	C/W LOW AMBIENT RT, COOLING ONLY
AC1.2	HEADWORKS ELEC RM	30	0.51	208/1/60	LGARNU03S/A4	C1	60	64	19.5/25/40	208/1/60	LGARJUN060GSS4	C/W LOW AMBIENT RT, COOLING ONLY
AC2.1	OPS BUILDING ELEC RM	30	0.51	208/1/60	LGARNU03S/A4	C2	60	64	19.5/25/40	208/1/60	LGARJUN060GSS4	C/W LOW AMBIENT RT, COOLING ONLY
AC2.2	OPS BUILDING ELEC RM	30	0.51	208/1/60	LGARNU03S/A4	C2	60	64	19.5/25/40	208/1/60	LGARJUN060GSS4	C/W LOW AMBIENT RT, COOLING ONLY
AC3	TERTIARY ELECTRICAL RM	35.5	0.81	208/1/60	LGARNU03S/A4	C3	38	42	19.5/25/40	208/1/60	LGARJUN038GSS4	C/W LOW AMBIENT RT, COOLING ONLY

NOTES: 1.

DOMESTIC HOT WATER HEATER SCHEDULE										
TAG	AREA SERVED	TYPE	FUEL	TANK CAPACITY (GAL)	No. of ELEMENTS	ELECTRICAL			BASIS OF DESIGN	NOTES
						CAPACITY	(V/PHz)			
BAS	ENBUSH IN W/AS THICKENING ROOM	INSTANTANEOUS	ELECTRIC	48	-	61 kW	575/3/60	HAVS 9321(B)		
DHW1	HEADWORKS	TANK	ELECTRIC	51	2	6 kW	208/1/60	A.O. SMITH DEL-50		
DHW2	OPERATIONS BUILDING	TANK	ELECTRIC	51	2	6 kW	208/1/60	A.O. SMITH DEL-50		
DHW3	TERTIARY BUILDING	TANK	ELECTRIC	51	2	6 kW	208/1/60	A.O. SMITH DEL-50		

NOTES: 1.

DATE	NO.	REVISION
2025/01/23	2	ISSUED FOR TENDER
2024/08/23	1	ISSUED FOR ECA APPROVAL



CONSULTANT:
EVB ENGINEERING
 800 SECOND STREET WEST
 CORNWALL, ONTARIO, CANADA, N6J 1H6
 TEL: 613-935-3775 | FAX: 613-935-6450
 WEBSITE: EVBengineering.com



SUB-CONSULTANT:
Greater Napanee
 CREATING OUR WATER FUTURE

PROJECT:
NEW NAPANEE WPCP

TITLE:
MECHANICAL DRAWING LIST AND SCHEDULES

SCALE:
 1:100

DESIGNED BY:
 JIM G. & TAZ K.

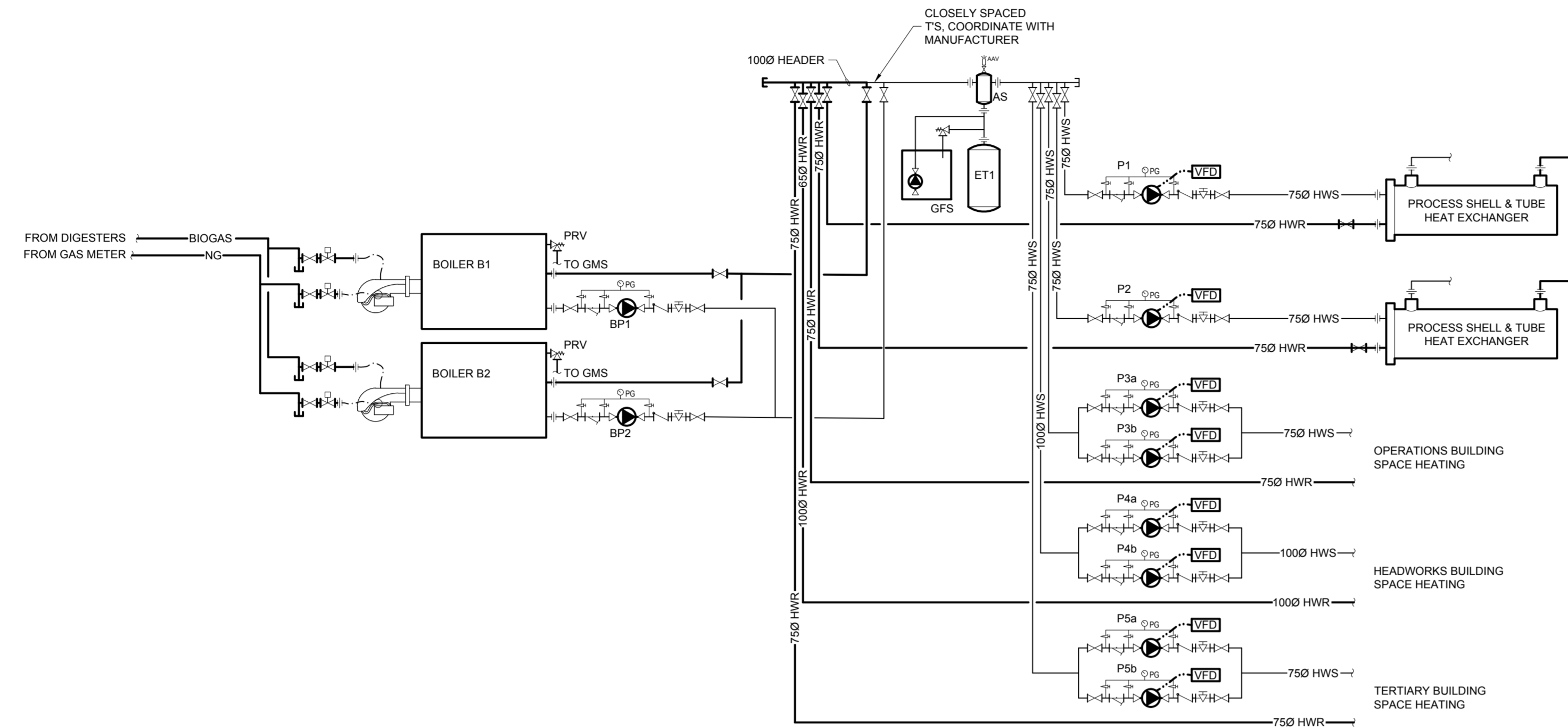
DRAWN BY:
 TAZ K. & JIM G.

CHECKED BY:
 JIM G.

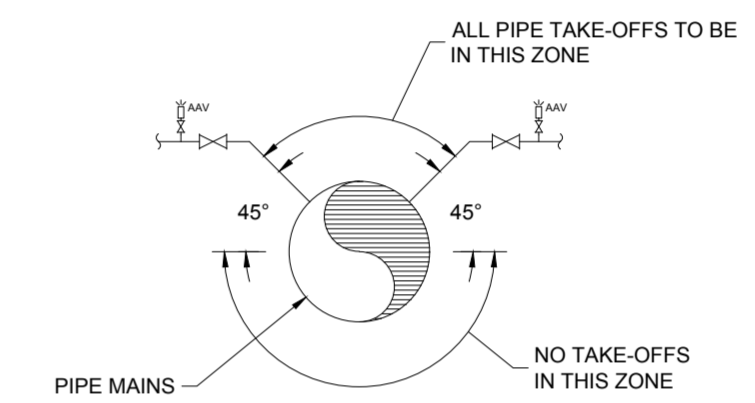
JOB NO:
 22001

DATE:
 2025/01/23

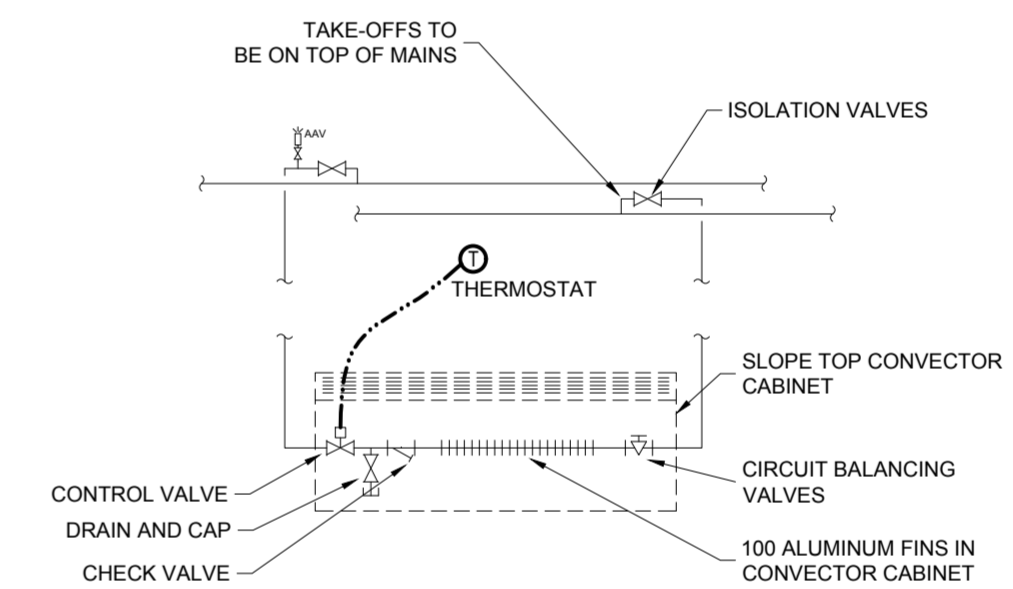
DRAWING NO:
M0001



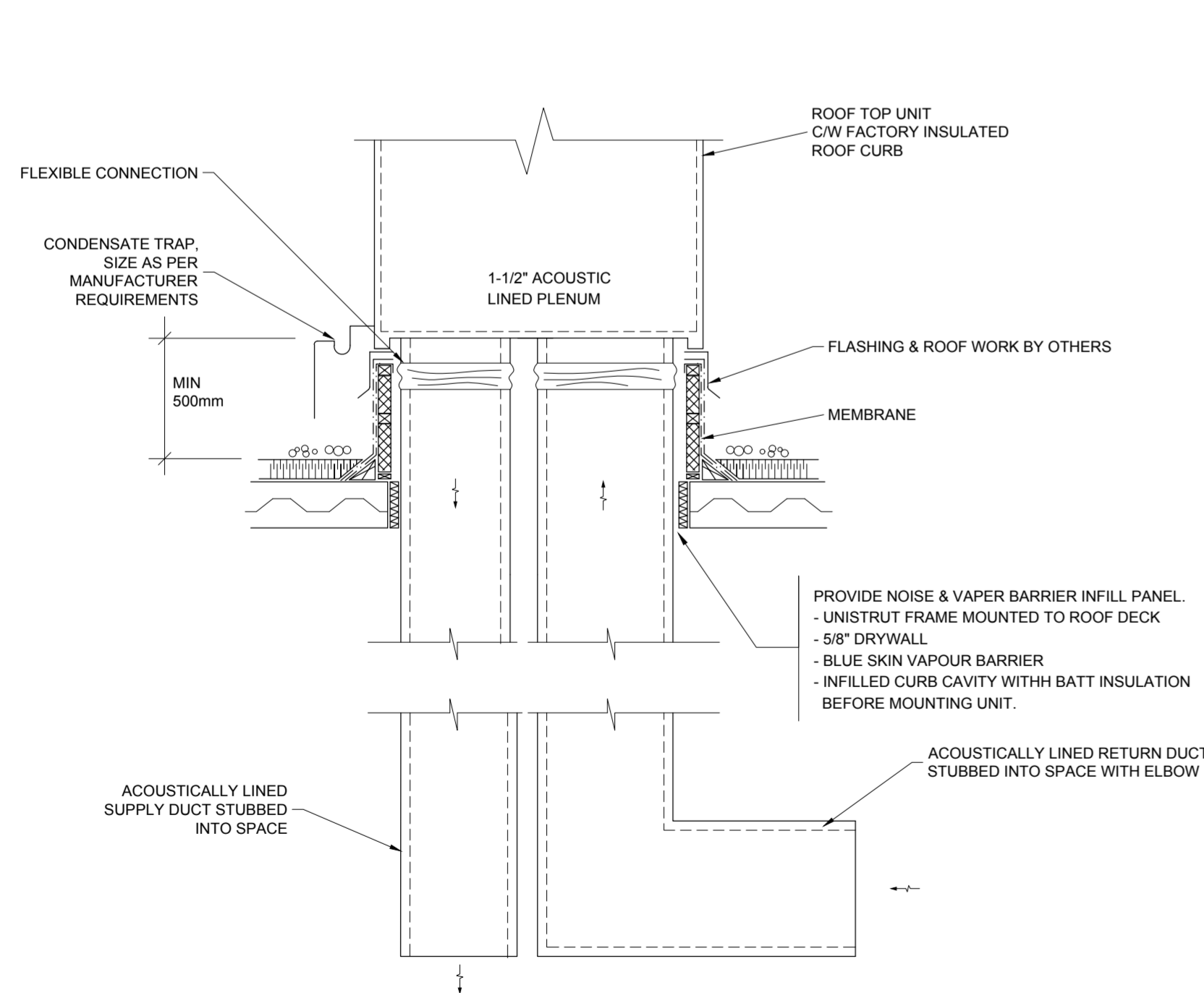
1 OPS BUILDING BOILER SCHEMATIC
M0002 N.T.S.



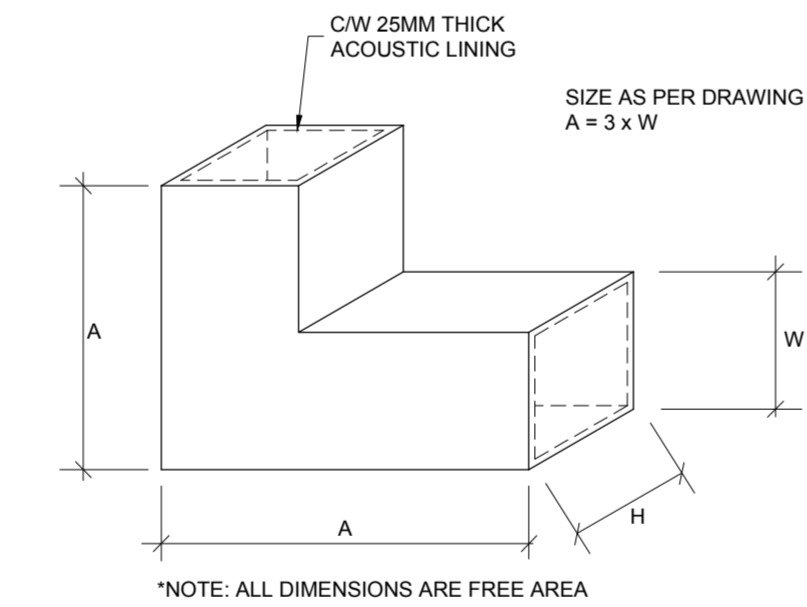
7 PIPE MAIN TAKE-OFF DETAIL
M0002 N.T.S.



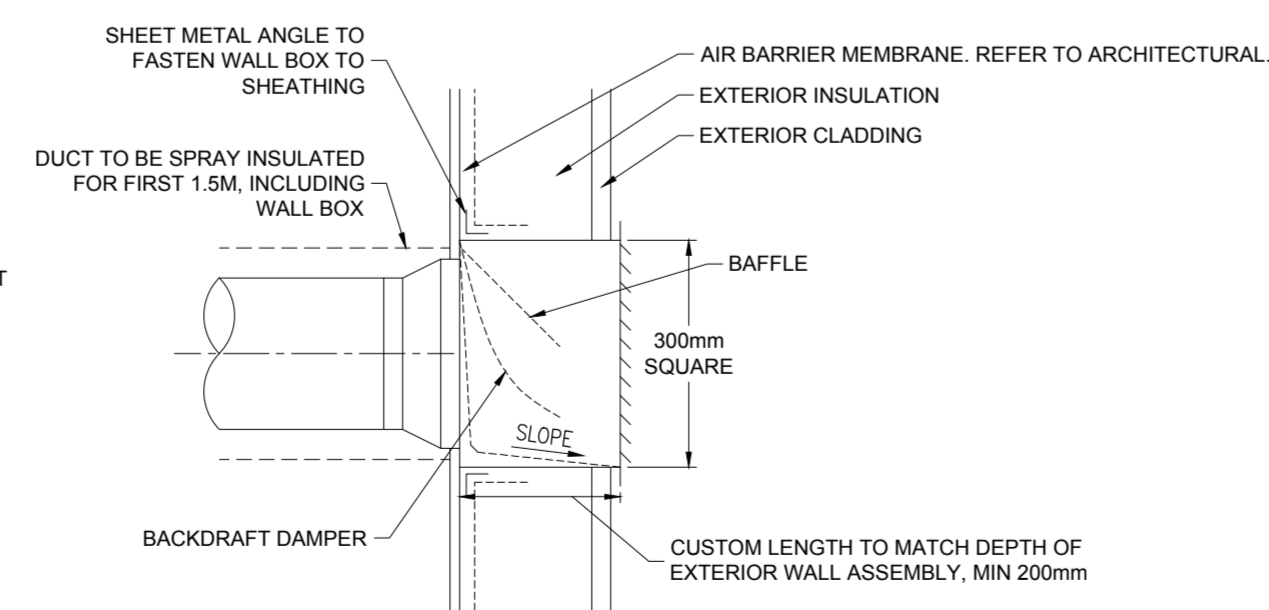
8 FIN-TUBE CONVECTOR DETAIL
M0002 N.T.S.



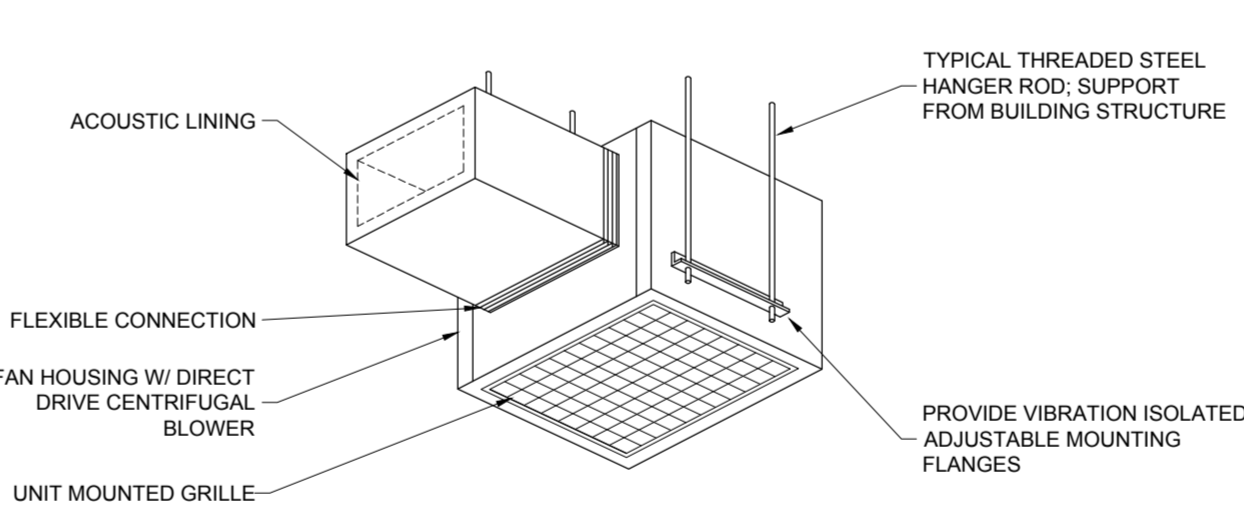
2 ROOF TOP UNIT MOUNTING DETAIL
M0002 N.T.S.



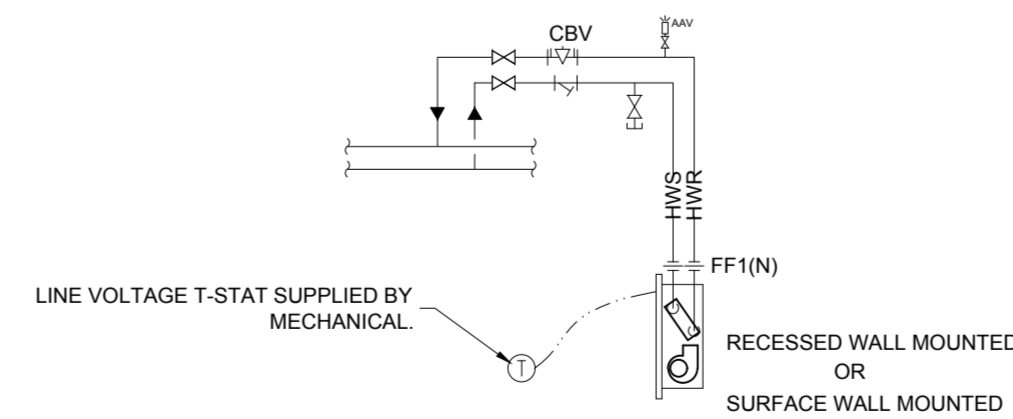
3 TRANSFER DUCT DETAIL
M0002 N.T.S.



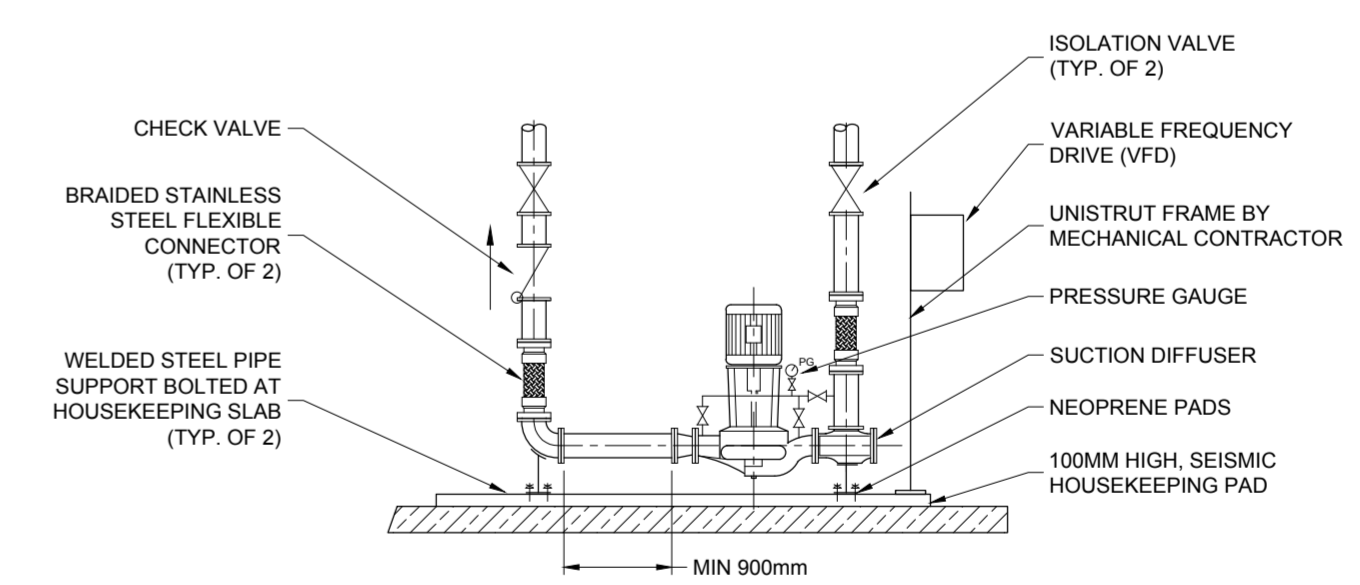
4 TYPICAL WBE EXHAUST WALL BOX DETAIL
M0002 N.T.S.



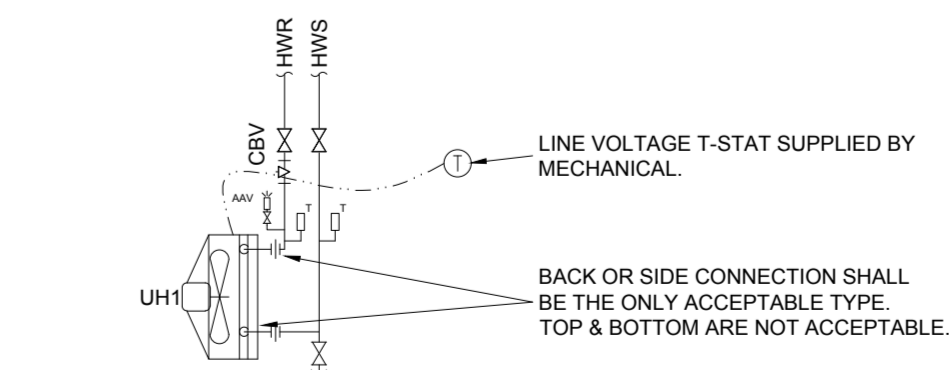
5 TYPICAL TRANSFER FAN DETAIL
M0002 N.T.S.



6 WALL MOUNTED FORCE FLOW DETAIL
M0002 N.T.S.



9 TYP. VERTICAL IN-LINE PUMP DETAIL
M0002 N.T.S.



10 TYP. UNIT HEATER CONNECTION DETAIL
M0002 N.T.S.

DATE	NO.	REVISION
2025/01/23	2	ISSUED FOR TENDER
2024/08/23	1	ISSUED FOR ECA APPROVAL

THE DRAWINGS, ARRANGEMENTS, ANNOTATIONS AND GRAPHICAL PRESENTATIONS ON THIS DOCUMENT ARE THE PROPERTY OF EVB ENGINEERING WHO RETAINS OWNERSHIP AND AUTHORSHIP OF THIS DOCUMENT IN ITS ENTIRETY. THIS DOCUMENT IS AN INSTRUMENT OF SERVICE AND IS THE INTELLECTUAL AND PHYSICAL PROPERTY OF EVB ENGINEERING. AUTHORIZED USE OF THIS DRAWING IS GRANTED SOLELY FOR THE PURPOSE OF THIS SPECIFIC PROJECT AND LOCATION, AND NOT FOR CONSTRUCTION OR USE FOR ANY OTHER PROJECT.
COPYRIGHT © 2024 EVB ENGINEERING.

I. I. GORDON
100078702
PROVINCE OF ONTARIO

PROJECT NORTH

T.N. = TRUE NORTH

CONSULTANT:

800 SECOND STREET WEST
CORNWALL, ONTARIO CANADA, K6J 1H6
TEL: 613-935-3775 | FAX: 613-935-6450
WEBSITE: EVBengineering.com

SUB-CONSULTANT:

CLIENT:

Greater Napanee
CREATING OUR BAYWATER REGION

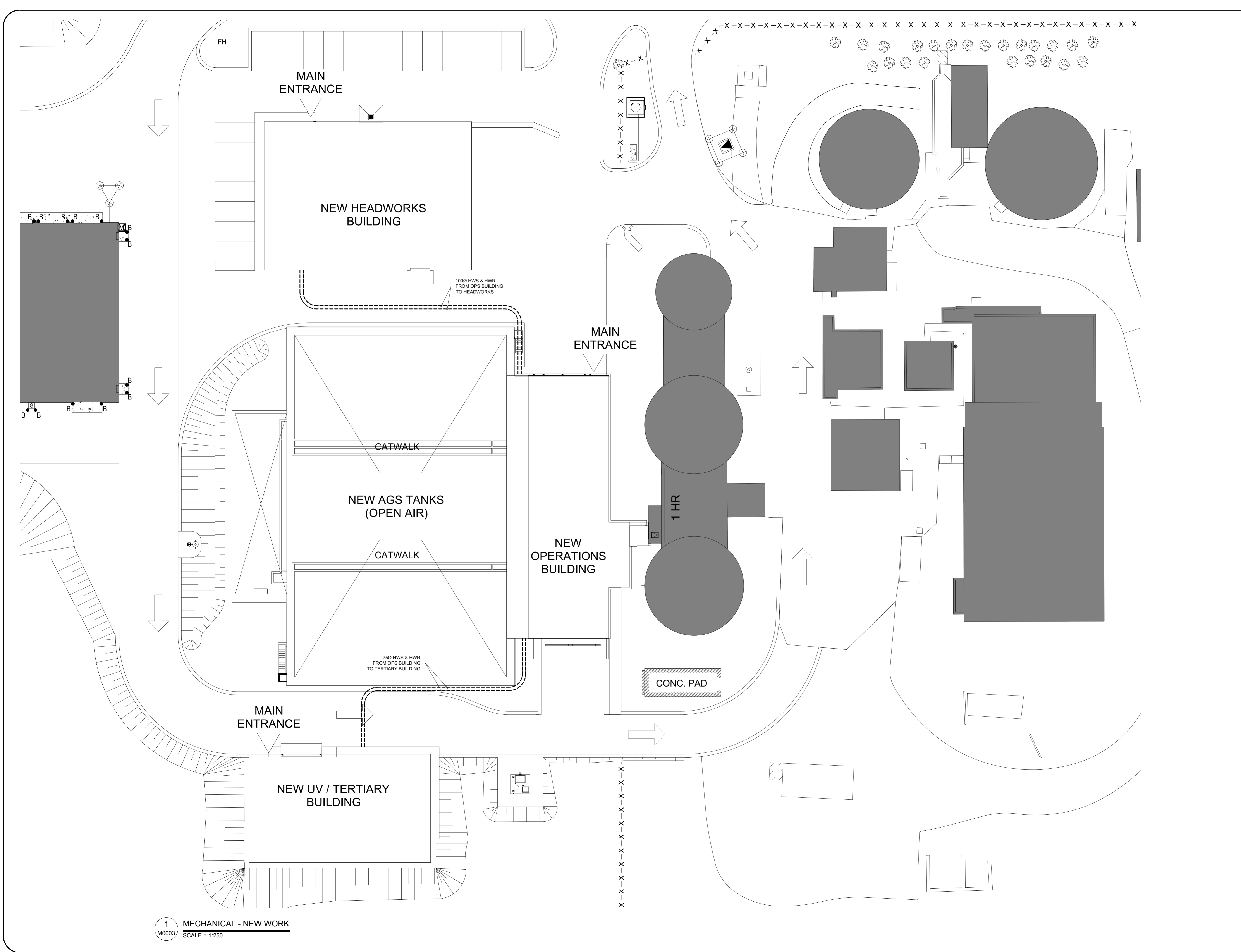
PROJECT:

NEW NAPANEE WPCP

TITLE:

MECHANICAL HEATING WATER SCHEDULE AND DETAILS

SCALE:	JOB NO:
1 : 100	22001
DESIGNED BY:	DATE:
JIM G. & TAZ K.	2025/01/23
DRAWN BY:	DRAWING NO:
TAZ K. & JIM G.	M0002
CHECKED BY:	
JIM G.	



1 MECHANICAL - NEW WORK
 M0003 SCALE = 1:250

09/05/2017 1:36:50 PM File Path

DATE	NO.	REVISION
2025/01/23	2	ISSUED FOR TENDER
2024/08/23	1	ISSUED FOR ECA APPROVAL

THE DRAWINGS, ARRANGEMENTS, ANNOTATIONS AND GRAPHICAL PRESENTATIONS ON THIS DOCUMENT ARE THE PROPERTY OF EVB ENGINEERING WHO RETAINS OWNERSHIP AND AUTHORSHIP OF THIS DOCUMENT IN ITS ENTIRETY. THIS DOCUMENT IS AN INSTRUMENT OF SERVICE AND IS THE INTELLECTUAL AND PHYSICAL PROPERTY OF EVB ENGINEERING. AUTHORIZED USE OF THIS DRAWING IS GRANTED SOLELY FOR THE PURPOSE OF THIS SPECIFIC PROJECT AND LOCATION, AND NOT FOR CONSTRUCTION OR USE FOR ANY OTHER PROJECT.
 COPYRIGHT © 2024 EVB ENGINEERING.

T.N. = TRUE NORTH

CONSULTANT:

800 SECOND STREET WEST
 CORNWALL, ONTARIO CANADA, K6J 1H6
 TEL: 613-935-3775 | FAX: 613-935-6450
 WEBSITE: EVBengineering.com

SUB-CONSULTANT:

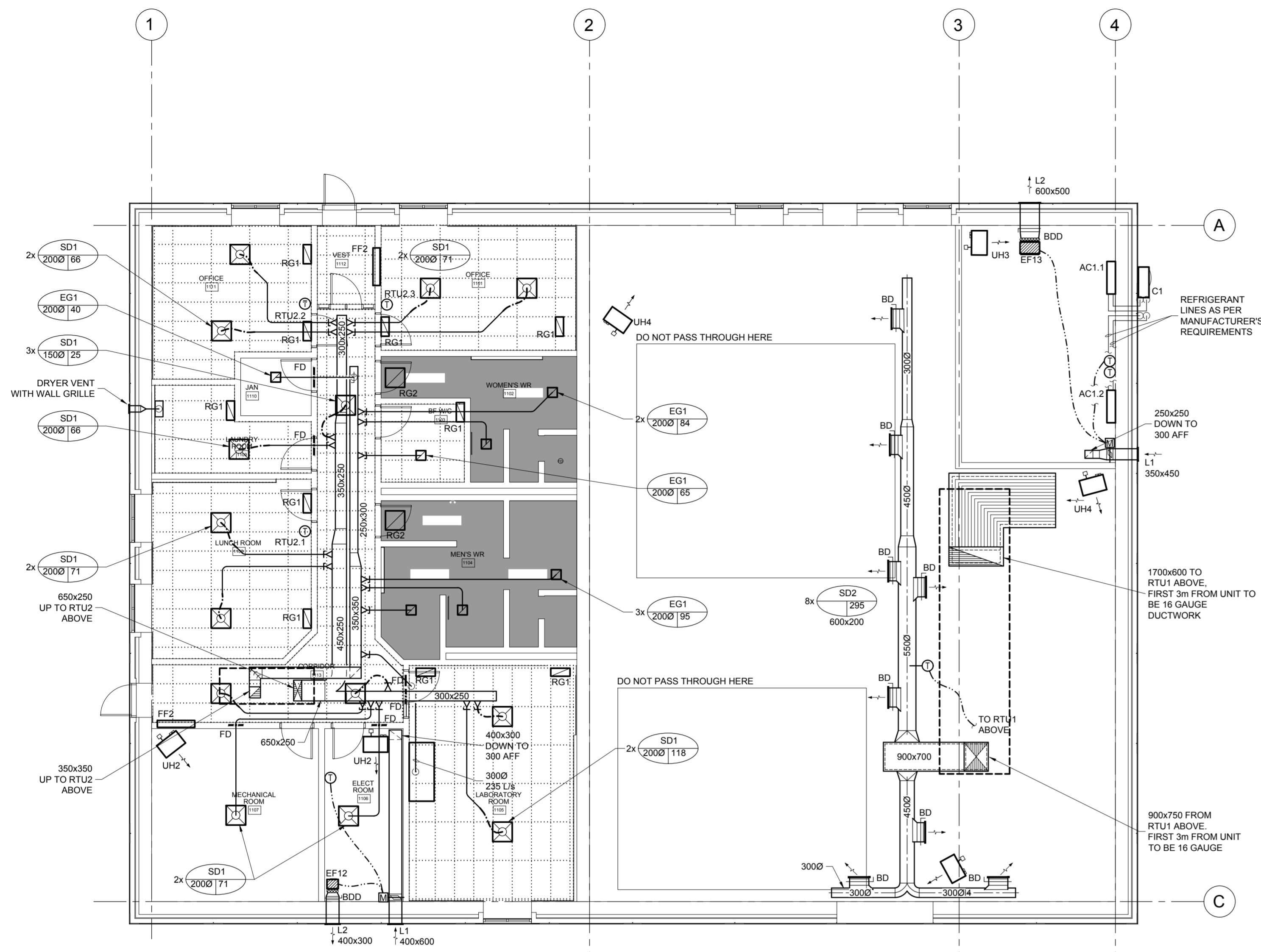
CLIENT:

Greater Napanee
 Greater for every business

PROJECT:
NEW NAPANEE WPCP

TITLE:
MECHANICAL SITE PLAN

SCALE: 1 : 250	JOB NO: 22001
DESIGNED BY: JIM G. & TAZ K.	DATE: 2025/01/23
DRAWN BY: TAZ K. & JIM G.	DRAWING NO. M0003
CHECKED BY: JIM G.	



1 HVAC - NEW WORK
M1101
SCALE = 1:100

DESCRIPTION OF WORK:

1. PROVIDE EXHAUST FANS AS INDICATED C/W ASSOCIATED BACKDRAFT DAMPERS/MOTORIZED DAMPERS AND ACCESSORIES. COORDINATE MOTORIZED DAMPER VOLTAGE WITH FAN TO ALLOW FOR OPERATION OF FAN THROUGH DAMPER END SWITCH.
2. PROVIDE UNIT HEATERS C/W ASSOCIATED REMOTE THERMOSTATS AND ACCESSORIES.
3. PROVIDE INTAKE AND EXHAUST LOUVRES AS INDICATED. COORDINATE FINAL SIZES WITH GENERAL TRADES PRIOR TO ORDERING OF LOUVRES AND COORDINATE WITH PRECAST WALL SYSTEM.
4. PROVIDE ROOFTOP UNITS AS INDICATED C/W ASSOCIATED CURB AND ACCESSORIES.
5. PROVIDE CONTROLS FOR SYSTEMS. ROOFTOP UNIT RTU2 TO SUPPLIED WITH THREE THERMOSTAT SYSTEM, OPERATING ON AVERAGE SET-POINT. ALLOW FOR WEIGHING OF ZONES FOR FINE TUNING.

DATE	NO.	REVISION
2025/01/23	2	ISSUED FOR TENDER
2024/08/23	1	ISSUED FOR ECA APPROVAL

THE DRAWINGS, ARRANGEMENTS, ANNOTATIONS AND GRAPHICAL PRESENTATIONS ON THIS DOCUMENT ARE THE PROPERTY OF EVB ENGINEERING WHO RETAINS OWNERSHIP AND AUTHORSHIP OF THIS DOCUMENT IN ITS ENTIRETY. THIS DOCUMENT IS AN INSTRUMENT OF SERVICE AND IS THE INTELLECTUAL AND PHYSICAL PROPERTY OF EVB ENGINEERING. AUTHORIZED USE OF THIS DRAWING IS GRANTED SOLELY FOR THE PURPOSE OF THIS SPECIFIC PROJECT AND LOCATION, AND NOT FOR CONSTRUCTION OR USE FOR ANY OTHER PROJECT.
COPYRIGHT © 2024 EVB ENGINEERING.

CONSULTANT:

800 SECOND STREET WEST
CORNWALL, ONTARIO CANADA, K6J 1H6
TEL: 613-935-3775 | FAX: 613-935-6450
WEBSITE: EVBengineering.com

SUB-CONSULTANT:

CLIENT:

CREATED FOR GREAT NAPANEE

PROJECT:

NEW NAPANEE WPCP

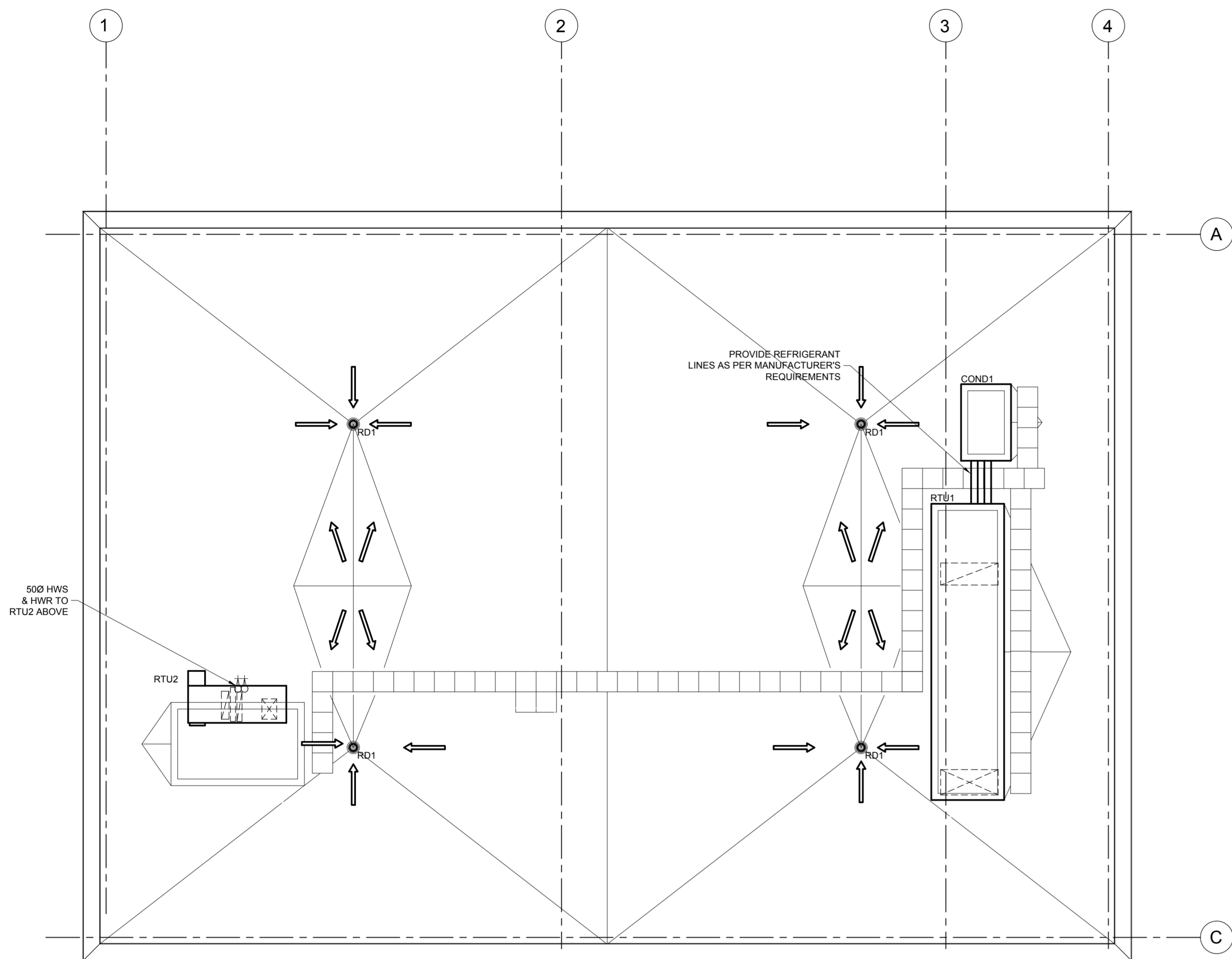
TITLE:

**HEADWORKS BUILDING -
GROUND FLOOR HVAC**

SCALE: 1 : 100	JOB NO: 22001
DESIGNED BY: JIM G. & TAZ K.	DATE: 2025/01/23
DRAWN BY: TAZ K. & JIM G.	DRAWING NO. M1101
CHECKED BY: JIM G.	

GRILLES, REGISTERS, AND DIFFUSER SCHEDULE					
TAG	USE	TYPE	SIZE	BASIS OF DESIGN	NOTES
SD1	SUPPLY	3 CONE STEEL DIFFUSER	600x600	E.H. PRICE SCD	-
SD2	SUPPLY	DRUM LOUVRE	150x750	E.H. PRICE HCD 6x30	-
RG1	RETURN	EGG CRATE	200x600	E.H. PRICE 80	
RG2	RETURN	EGG CRATE	600x600	E.H. PRICE 80 C/W DRYWALL FRAME	
EG1	EXHAUST	EGG CRATE	300x300	E.H. PRICE 80 C/W DRYWALL FRAME	

NOTES:
1. COLOUR AS PER ARCHITECT.
2. COORDINATE FRAME TYPE WITH CEILING TYPE.
3. ALL UNITS TO BE FROM SAME MANUFACTURER.



1 HVAC - NEW WORK
M1102 SCALE = 1:100

DESCRIPTION OF WORK:

1. PROVIDE ROOFTOP UNITS C/W 24" HIGH ROOF CURBS AND ACCESSORIES. COORDINATE SERVICE RECEPTACLES WITH ELECTRICAL CONTRACTOR.
2. PROVIDE CONDENSING UNIT C/W ASSOCIATE REFRIGERANT LINES. COORDINATE WITH MANUFACTURER'S RECOMMENDATIONS.
3. PROVIDE HYDRONIC GLYCOL CONNECTION TO ROOFTOP UNITS FROM GROUND FLOOR SYSTEM. HYDRONIC CONNECTIONS TO BE INTERNAL TO THE UNIT, THROUGH THE BASE.
4. PROVIDE ROOF DRAINS C/W ASSOCIATED MEMBRANE CLAMP, DRAINAGE AND ACCESSORIES. COORDINATE ROOF TYPE WITH ROOFING TRADES.

DATE	NO.	REVISION
2025/01/23	2	ISSUED FOR TENDER
2024/08/23	1	ISSUED FOR ECA APPROVAL

THE DRAWINGS, ARRANGEMENTS, ANNOTATIONS AND GRAPHICAL PRESENTATIONS ON THIS DOCUMENT ARE THE PROPERTY OF EVB ENGINEERING WHO RETAINS OWNERSHIP AND AUTHORSHIP OF THIS DOCUMENT IN ITS ENTIRETY. THIS DOCUMENT IS AN INSTRUMENT OF SERVICE AND IS THE INTELLECTUAL AND PHYSICAL PROPERTY OF EVB ENGINEERING. AUTHORIZED USE OF THIS DRAWING IS GRANTED SOLELY FOR THE PURPOSE OF THIS SPECIFIC PROJECT AND LOCATION, AND NOT FOR CONSTRUCTION OR USE FOR ANY OTHER PROJECT.
COPYRIGHT © 2024 EVB ENGINEERING.

CONSULTANT:

800 SECOND STREET WEST
CORNWALL, ONTARIO CANADA, K6J 1H6
TEL: 613-935-3775 | FAX: 613-935-6450
WEBSITE: EVBengineering.com

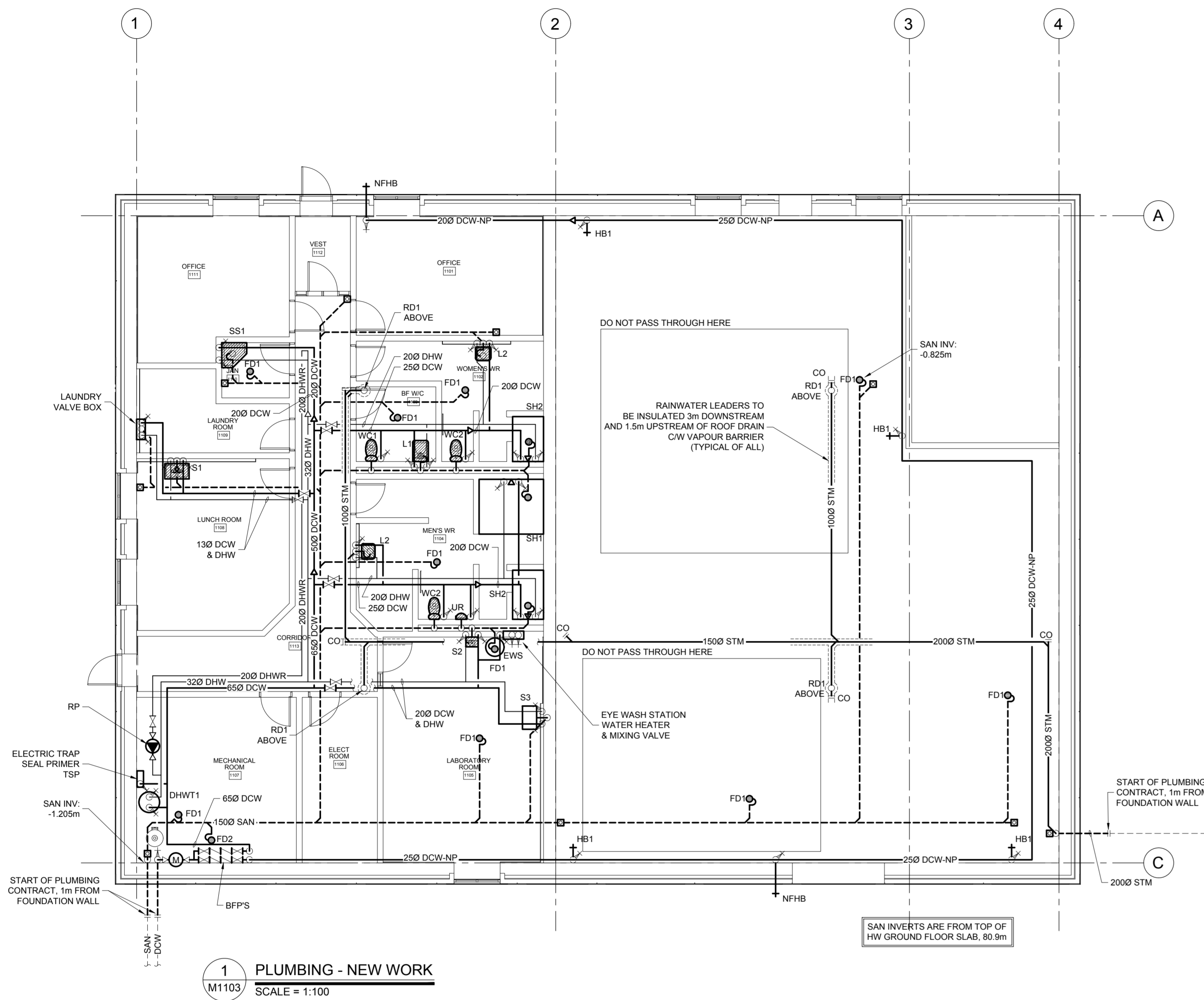
SUB-CONSULTANT:

CLIENT:

PROJECT:
NEW NAPANEE WPCP

TITLE:
HEADWORKS BUILDING - ROOF HVAC

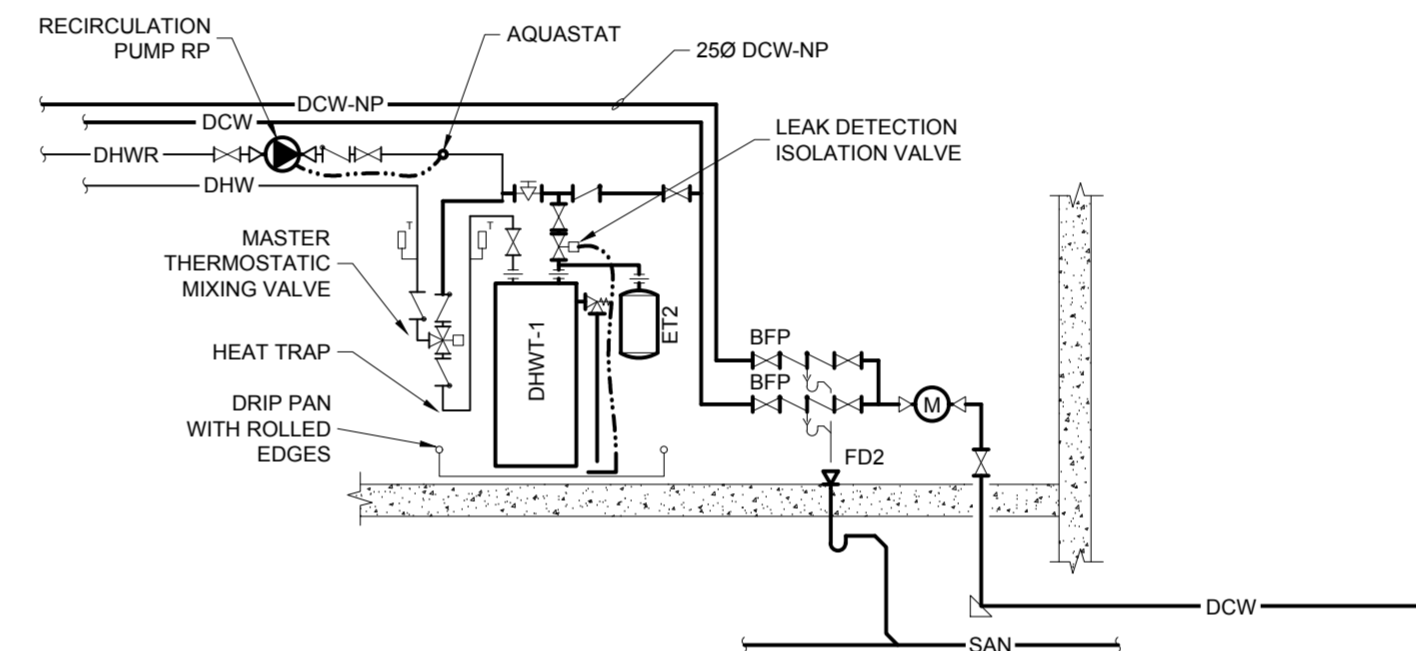
SCALE: 1 : 100	JOB NO: 22001
DESIGNED BY: JIM G. & TAZ K.	DATE: 2025/01/23
DRAWN BY: TAZ K. & JIM G.	DRAWING NO. M1102
CHECKED BY: JIM G.	



1 PLUMBING - NEW WORK
M1103 SCALE = 1:100

DESCRIPTION OF WORK:

1. PROVIDE DOMESTIC HOT WATER TANK C/W LEAK BREAKER, PT VALVE, ISOLATION VALVES, UNIONS, AND ACCESSORIES.
2. PROVIDE DOMESTIC, SANITARY, AND STORM PIPING C/W ACCESSORIES.



2 INCOMING WATER AND DOMESTIC TANK DETAIL
M1103 N.T.S.

PLUMBING FIXTURE SCHEDULE

FIXTURE TAG	FIXTURE TYPE	CONNECTION SIZES				BASIS OF DESIGN	TRIM MANUFACTURER/MODEL	ACCESSORIES	NOTES
		DCW (mmØ)	DHW (mmØ)	SAN (mmØ)	STM (mmØ)				
WC1	BARRIER-FREE WATER CLOSET	25	-	75	-	AMERICAN STANDARD 3351.101	DELTA 81T201HWA-DF, CLOSED COVER SEAT	WATTS ISCA-201	BARRIER FREE INSTALLATION
WC2	STANDARD WATER CLOSET	25	-	75	-	AMERICAN STANDARD 3351.101	DELTA 81T201HWA-DF, OPEN FRONT SEAT	WATTS ISCA-201	STANDARD INSTALLATION
L1	BARRIER FREE WALL HUNG LAVATORY	13	13	40	-	AMERICAN STANDARD 9141.011	DELTA 22C101	WATTS CA-411	BARRIER FREE INSTALLATION
L2	STANDARD COUNTER MOUNTED	13	13	40	-	AMERICAN STANDARD 9141.011	DELTA 22C101	-	STANDARD ABOVE COUNTER MOUNTED
S1	DOUBLE BOWL KITCHEN SINK	13	13	40	-	NOVANNI 2007AEI-38	DELTA 26C3942	-	COUNTER MOUNTED KITCHEN SINK
S2	STAINLESS STEEL WALL SINK	13	13	50	-	NOVANNI 8102/316-24	DELTA 22C101	-	-
SH1	BARRIER-FREE SHOWER	13	13	75	-	SITE FABRICATED	DELTA 86T1167	DELTA RPW336HDF-1.5C & DIVERTER VALVE	BARRIER FREE SHOWER WITH DIVERTER VALVE, HIGH LEVEL HEAD AND HANDSHOWER WITH GRAB BAR.
SH2	STANDARD SHOWER	13	13	75	-	SITE FABRICATED	DELTA 86T1167	-	STANDARD SHOWER
UR	URINAL	20	-	50	-	AMERICAN STANDARD 6002.001	DELTA 81T231HWA	WATTS CA-311	DRAIN PIPING TO BE PVC.
LB	LAUNDRY VALVE BOX	13	13	50	-	WATTS WPMCC-1	-	-	C/W SINGLE LEVER VALVE
SS1	MOP SINK	13	13	75	-	FIAT TSBC1611	DELTA 28C2383	C/W HOSE & HOSE BRACKET, MOP HANGER, BUMPER GUARD, SS WALL GUARDS	-
FD1	STANDARD FLOOR DRAIN	-	-	100	-	WATTS FD-100-C	-	-	-
FD2	HUB TYPE FLOOR DRAIN	-	-	100	-	WATTS FD-100-C-EG	-	-	-
TD1	TRENCH DRAIN - DECK CHANNEL	-	-	100	-	WATTS DEAD LEVEL S	-	-	C/W DUCTILE IRON FRAME
RD1	ROOF DRAIN	-	-	-	100	WATTS RD-100-A	-	-	-
CO	CLEAN OUT	-	-	PIPE SIZE	-	WATTS CO-200-R	-	-	-
HB1	COLD WATER HOSE BIBB	20	-	-	-	WATTS SC8	-	-	-
HB2	HOT/COLD WATER HOSE BIBB	20	20	-	-	WATTS HY-700	-	-	-
NFHB	NON-FREEZE HOSE BIBB	20	-	-	-	WATTS HY-725	-	-	-
ET	EXPANSION TANK	20	-	-	-	EXPANFLEX HGTE-8	-	-	-
BFP	BACKFLOW PREVENTER ASSEMBLY	LINE SIZE	-	-	-	WATTS 009	-	-	-
TSP	TRAP SEAL PRIMER	20	-	-	-	MIFAB MI-100-10-3R	-	-	C/W SURFACE MOUNTED STEEL CABINET

- NOTES:
 1. VENT AS PER OBC REQUIREMENTS.
 2. ALL PLUMBING FIXTURES TO BE FROM SINGLE MANUFACTURER.
 3. INSTALL AS PER MANUFACTURER'S RECOMMENDATIONS.

DATE	NO.	REVISION
2025/01/23	2	ISSUED FOR TENDER
2024/08/23	1	ISSUED FOR ECA APPROVAL

THE DRAWINGS, ARRANGEMENTS, ANNOTATIONS AND GRAPHICAL PRESENTATIONS ON THIS DOCUMENT ARE THE PROPERTY OF EVB ENGINEERING WHO RETAINS OWNERSHIP AND AUTHORSHIP OF THIS DOCUMENT IN ITS ENTIRETY. THIS DOCUMENT IS AN INSTRUMENT OF SERVICE AND IS THE INTELLECTUAL AND PHYSICAL PROPERTY OF EVB ENGINEERING. AUTHORIZED USE OF THIS DRAWING IS GRANTED SOLELY FOR THE PURPOSE OF THIS SPECIFIC PROJECT AND LOCATION, AND NOT FOR CONSTRUCTION OR USE FOR ANY OTHER PROJECT.
 COPYRIGHT © 2024 EVB ENGINEERING.

T.N. = TRUE NORTH

CONSULTANT:

 800 SECOND STREET WEST
 CORNWALL, ONTARIO CANADA, K6J 1H6
 TEL: 613-935-3775 | FAX: 613-935-6450
 WEBSITE: EVBengineering.com

SUB-CONSULTANT:

CLIENT:

PROJECT:
NEW NAPANEE WPCP

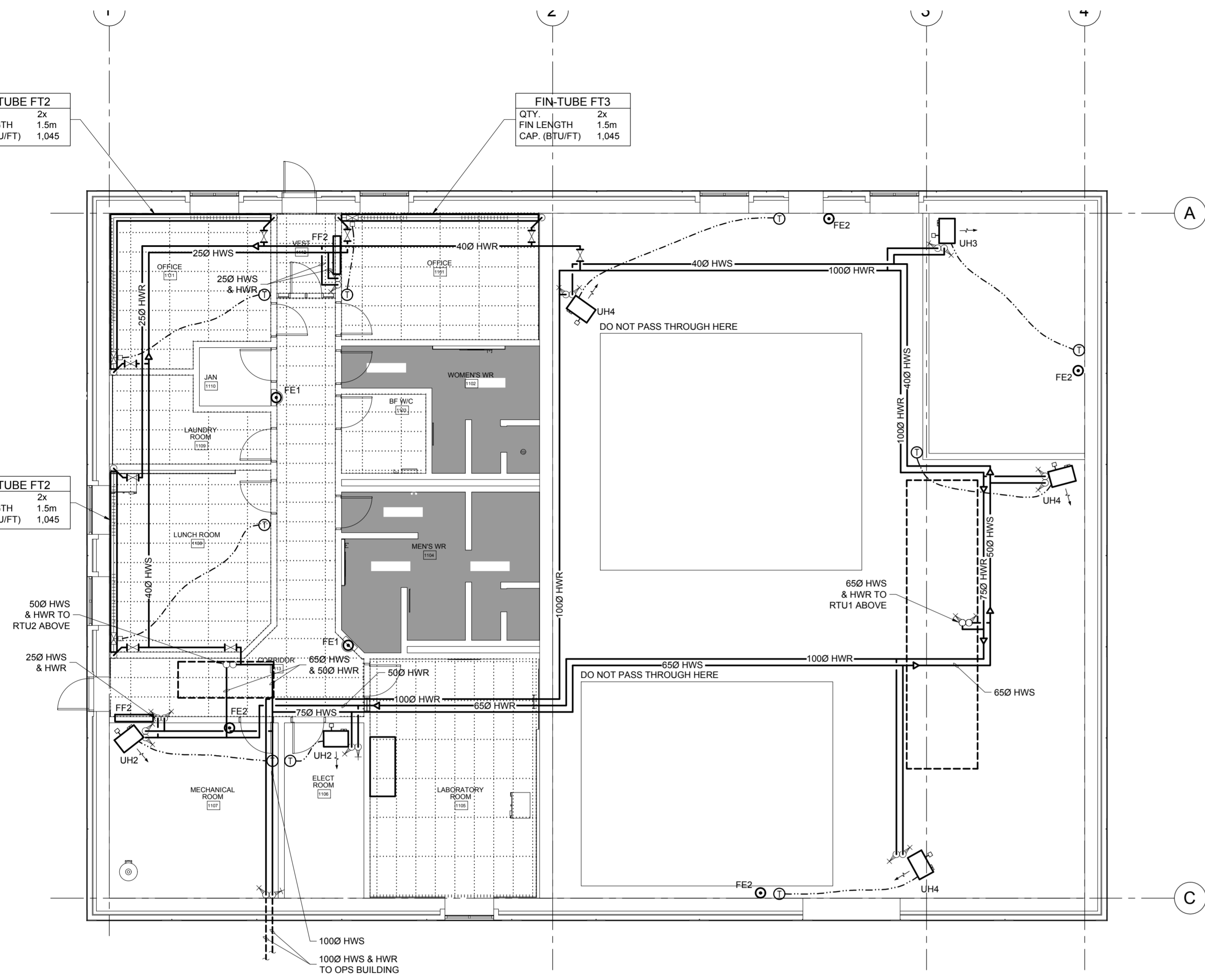
TITLE:
**HEADWORKS BUILDING
 GROUND FLOOR PLUMBING**

SCALE: 1 : 100	JOB NO: 22001
DESIGNED BY: JIM G. & TAZ K.	DATE: 2025/01/23
DRAWN BY: TAZ K. & JIM G.	DRAWING NO: M1103
CHECKED BY: JIM G.	

FIN-TUBE FT2
QTY 2x
FIN LENGTH 1.5m
CAP. (BTU/FT) 1,045

FIN-TUBE FT3
QTY 2x
FIN LENGTH 1.5m
CAP. (BTU/FT) 1,045

FIN-TUBE FT2
QTY 2x
FIN LENGTH 1.5m
CAP. (BTU/FT) 1,045



1 UTILITIES - NEW WORK
M1106 SCALE = 1:100

DESCRIPTION OF WORK:

1. PROVIDE HEATING WATER SUPPLY AND RETURN MAINS IN BUILDING C/W ASSOCIATED VALVES AND ACCESSORIES. PROVIDE BUILDING ISOLATION VALVES AT POINT MAINS EXIT SLAB.
2. PROVIDE UNIT CONNECTIONS C/W ASSOCIATED ISOLATION VALVES, CBV, STRAINERS AND CHECK VALVES.

DATE	NO.	REVISION
2025/01/23	2	ISSUED FOR TENDER
2024/08/23	1	ISSUED FOR ECA APPROVAL

THE DRAWINGS, ARRANGEMENTS, ANNOTATIONS AND GRAPHICAL PRESENTATIONS ON THIS DOCUMENT ARE THE PROPERTY OF EVB ENGINEERING WHO RETAINS OWNERSHIP AND AUTHORSHIP OF THIS DOCUMENT IN ITS ENTIRETY. THIS DOCUMENT IS AN INSTRUMENT OF SERVICE AND IS THE INTELLECTUAL AND PHYSICAL PROPERTY OF EVB ENGINEERING. AUTHORIZED USE OF THIS DRAWING IS GRANTED SOLELY FOR THE PURPOSE OF THIS SPECIFIC PROJECT AND LOCATION, AND NOT FOR CONSTRUCTION OR USE FOR ANY OTHER PROJECT.
COPYRIGHT © 2024 EVB ENGINEERING.

PROJECT NORTH

T.N. = TRUE NORTH

CONSULTANT:

800 SECOND STREET WEST
CORNWALL, ONTARIO CANADA, K6J 1H6
TEL: 613-935-3775 | FAX: 613-935-6450
WEBSITE: EVBengineering.com

SUB-CONSULTANT:

CLIENT:

Greater Napanee
CREATING OUR HAPPY REGION

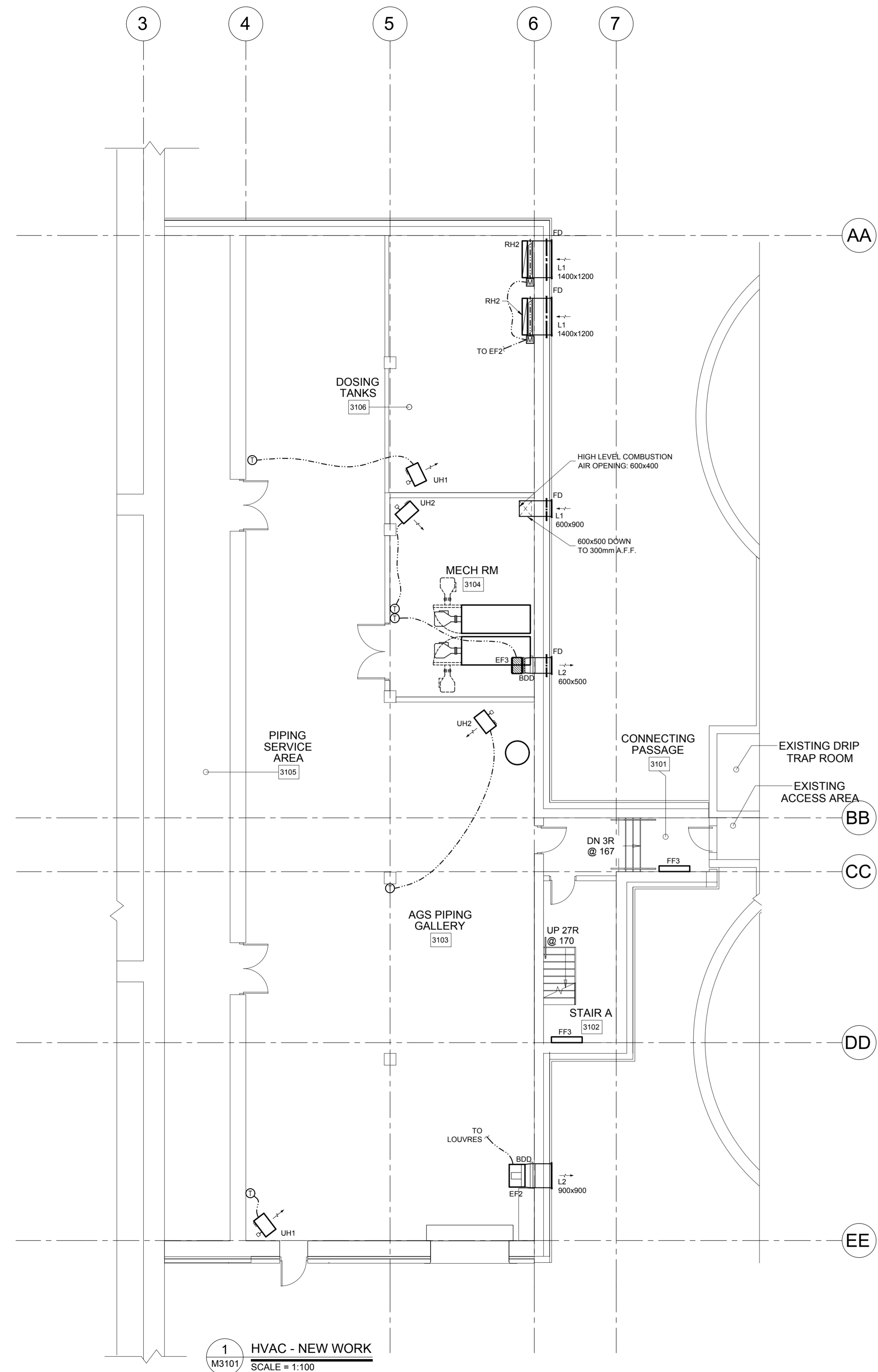
PROJECT:

NEW NAPANEE WPCP

TITLE:

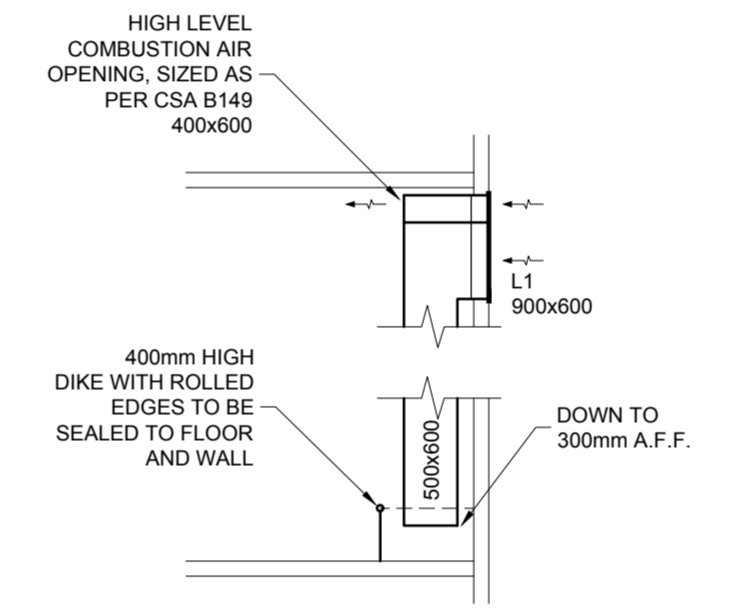
**HEADWORKS BUILDING
GROUND FLOOR UTILITIES
& FIRE PROTECTION**

SCALE: 1 : 100	JOB NO: 22001
DESIGNED BY: JIM G. & TAZ K.	DATE: 2025/01/23
DRAWN BY: TAZ K. & JIM G.	DRAWING NO. M1106
CHECKED BY: JIM G.	



DESCRIPTION OF WORK:

1. PROVIDE EXHAUST FANS AS INDICATED C/W ASSOCIATED BACKDRAFT DAMPERS/MOTORIZED DAMPERS AND ACCESSORIES. COORDINATE MOTORIZED DAMPER VOLTAGE WITH FAN TO ALLOW FOR OPERATION OF FAN THROUGH DAMPER END SWITCH.
2. PROVIDE UNIT HEATERS C/W ASSOCIATED REMOTE THERMOSTATS AND ACCESSORIES.
3. PROVIDE INTAKE AND EXHAUST LOUVRES AS INDICATED. COORDINATE FINAL SIZES WITH GENERAL TRADES PRIOR TO ORDERING OF LOUVRES AND COORDINATE WITH PRECAST WALL SYSTEM.



DATE	NO.	REVISION
2025/01/23	2	ISSUED FOR TENDER
2024/08/23	1	ISSUED FOR ECA APPROVAL

THE DRAWINGS, ARRANGEMENTS, ANNOTATIONS AND GRAPHICAL PRESENTATIONS ON THIS DOCUMENT ARE THE PROPERTY OF EVB ENGINEERING WHO RETAINS OWNERSHIP AND AUTHORSHIP OF THIS DOCUMENT IN ITS ENTIRETY. THIS DOCUMENT IS AN INSTRUMENT OF SERVICE AND IS THE INTELLECTUAL AND PHYSICAL PROPERTY OF EVB ENGINEERING. AUTHORIZED USE OF THIS DRAWING IS GRANTED SOLELY FOR THE PURPOSE OF THIS SPECIFIC PROJECT AND LOCATION, AND NOT FOR CONSTRUCTION OR USE FOR ANY OTHER PROJECT.
COPYRIGHT © 2024 EVB ENGINEERING.

PROFESSIONAL ENGINEER
L.L. GORDON
100078762
2025-01-22
PROVINCE OF ONTARIO

PROJECT NORTH

T.N. = TRUE NORTH

CONSULTANT:

800 SECOND STREET WEST
CORNWALL, ONTARIO CANADA, K6J 1H6
TEL: 613-935-3775 | FAX: 613-935-6450
WEBSITE: EVBengineering.com

SUB-CONSULTANT:

CLIENT:

Greater Napanee
CREATING OUR HAPPY REGION

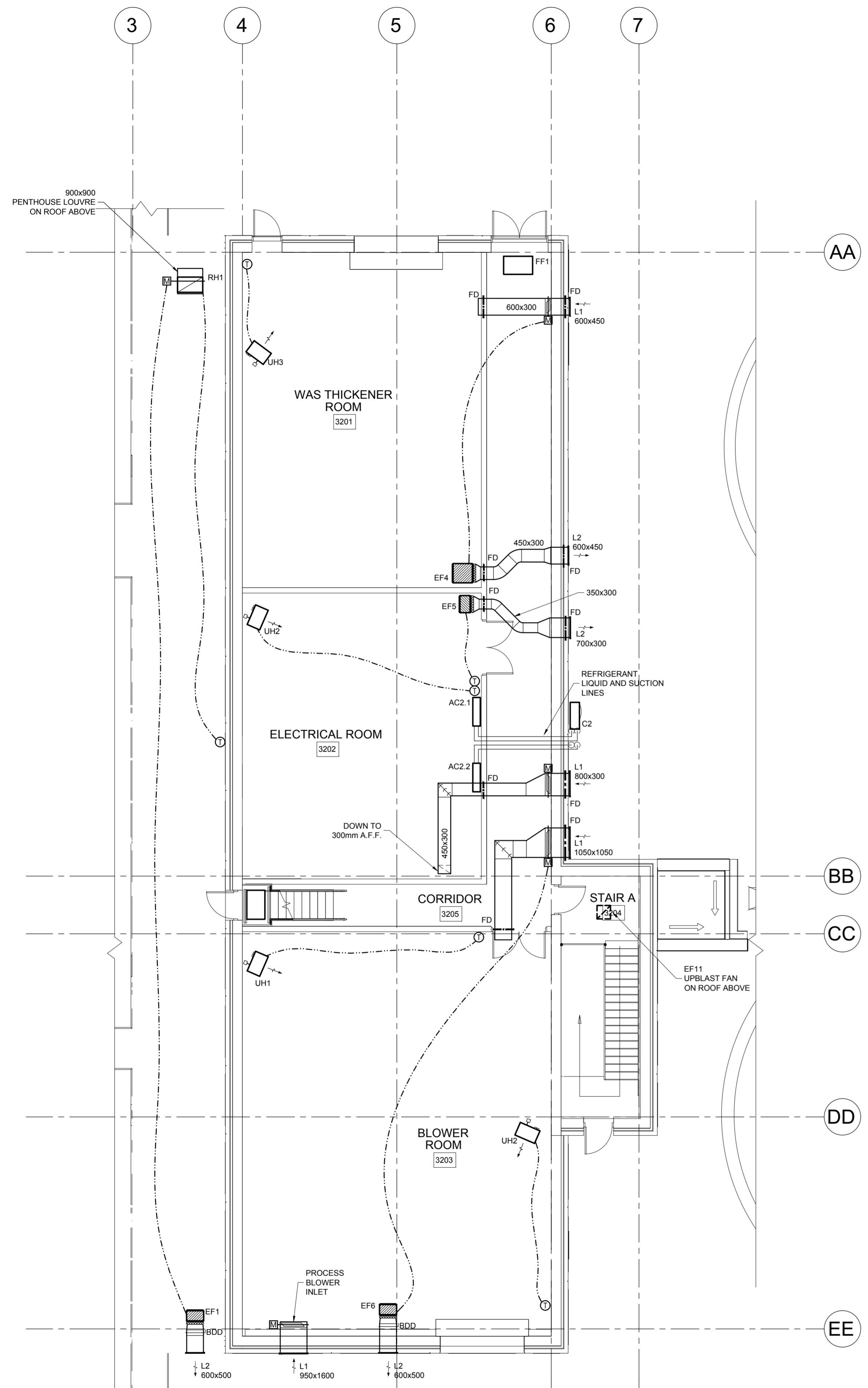
PROJECT:

NEW NAPANEE WPCP

TITLE:

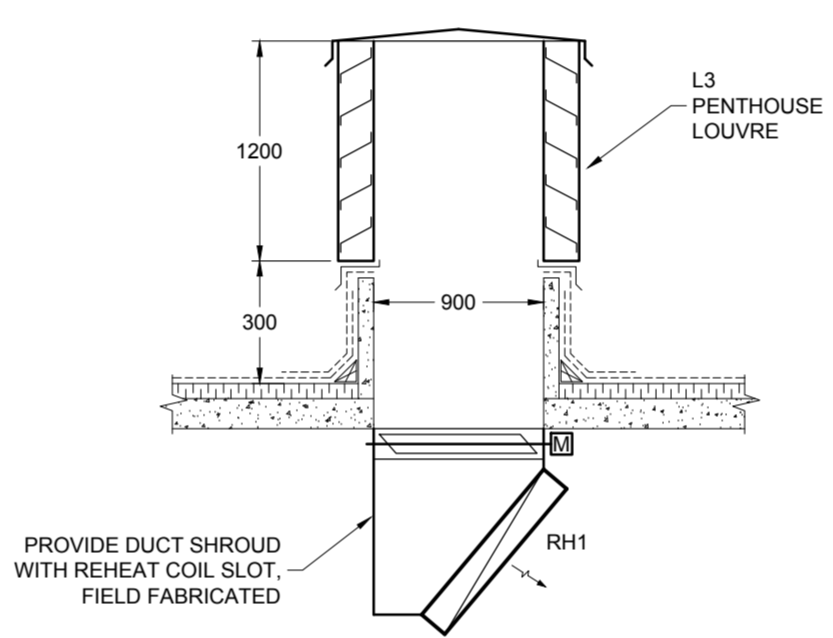
**OPERATIONS BUILDING -
GROUND FLOOR HVAC**

SCALE: 1 : 100	JOB NO: 22001
DESIGNED BY: JIM G. & TAZ K.	DATE: 2025/01/23
DRAWN BY: TAZ K. & JIM G.	DRAWING NO. M3101
CHECKED BY: JIM G.	



DESCRIPTION OF WORK:

1. PROVIDE EXHAUST FANS AS INDICATED C/W ASSOCIATED BACKDRAFT DAMPERS/MOTORIZED DAMPERS AND ACCESSORIES. COORDINATE MOTORIZED DAMPER VOLTAGE WITH FAN TO ALLOW FOR OPERATION OF FAN THROUGH DAMPER END SWITCH.
2. PROVIDE UNIT HEATERS C/W ASSOCIATED REMOTE THERMOSTATS AND ACCESSORIES.
3. PROVIDE INTAKE AND EXHAUST LOUVRES AS INDICATED. COORDINATE FINAL SIZES WITH GENERAL TRADES PRIOR TO ORDERING OF LOUVRES AND COORDINATE WITH PRECAST WALL SYSTEM.



2 PENTHOUSE LOUVRE DETAIL
M3102 N.T.S.

1 HVAC - NEW WORK
SCALE = 1:100
M3102

DATE	NO.	REVISION
2025/01/23	2	ISSUED FOR TENDER
2024/08/23	1	ISSUED FOR ECA APPROVAL

THE DRAWINGS, ARRANGEMENTS, ANNOTATIONS AND GRAPHICAL PRESENTATIONS ON THIS DOCUMENT ARE THE PROPERTY OF EVB ENGINEERING WHO RETAINS OWNERSHIP AND AUTHORSHIP OF THIS DOCUMENT IN ITS ENTIRETY. THIS DOCUMENT IS AN INSTRUMENT OF SERVICE AND IS THE INTELLECTUAL AND PHYSICAL PROPERTY OF EVB ENGINEERING. AUTHORIZED USE OF THIS DRAWING IS GRANTED SOLELY FOR THE PURPOSE OF THIS SPECIFIC PROJECT AND LOCATION, AND NOT FOR CONSTRUCTION OR USE FOR ANY OTHER PROJECT.
COPYRIGHT © 2024 EVB ENGINEERING.

J.L. GORDON
100078762
PROVINCE OF ONTARIO

PROJECT NORTH

T.N. = TRUE NORTH

CONSULTANT:

800 SECOND STREET WEST
CORNWALL, ONTARIO CANADA, K6J 1H6
TEL: 613-935-3775 | FAX: 613-935-6450
WEBSITE: EVBengineering.com

SUB-CONSULTANT:

CLIENT:

Greater Napanee
CREATING OUR HAPPY REGION

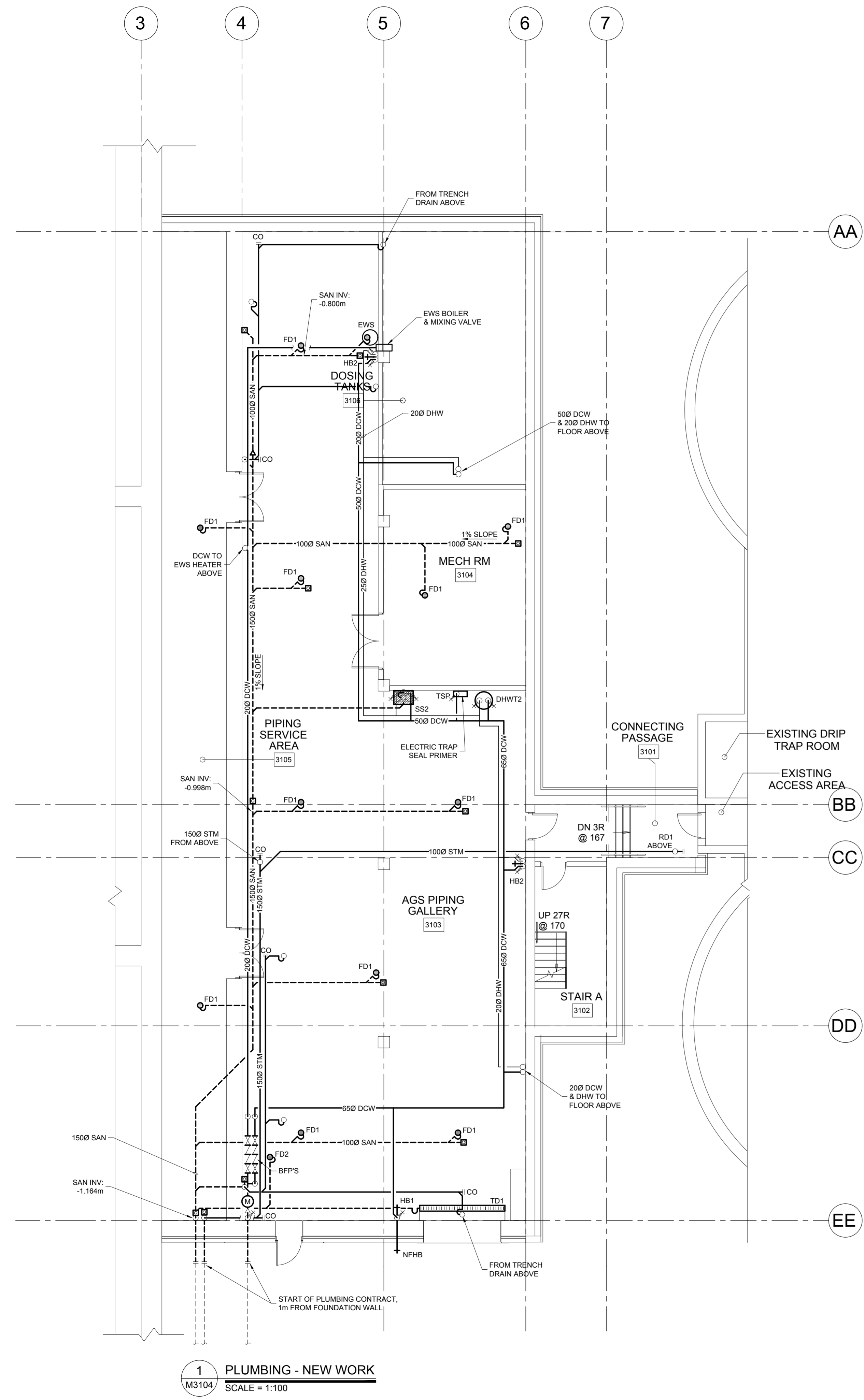
PROJECT:

NEW NAPANEE WPCP

TITLE:

**OPERATIONS BUILDING -
SECOND FLOOR HVAC**

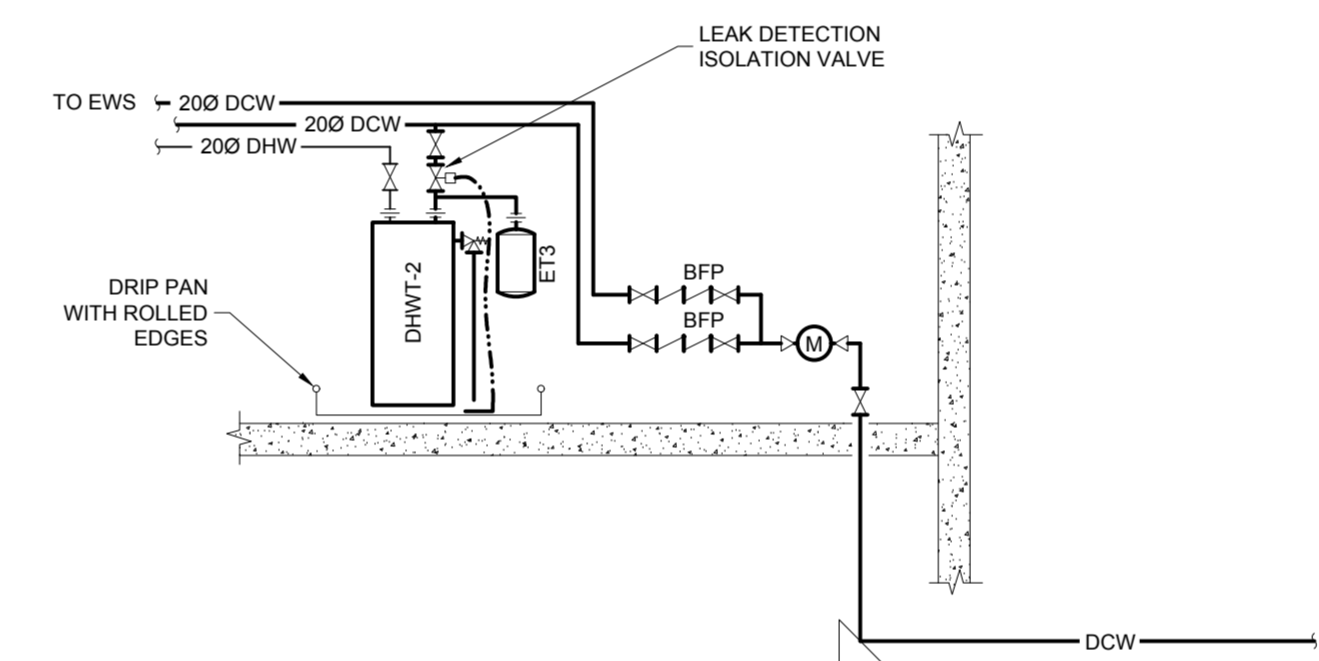
SCALE: 1 : 100	JOB NO: 22001
DESIGNED BY: JIM G. & TAZ K.	DATE: 2025/01/23
DRAWN BY: TAZ K. & JIM G.	DRAWING NO. M3102
CHECKED BY: JIM G.	



1 PLUMBING - NEW WORK
M3104 SCALE = 1:100

DESCRIPTION OF WORK:

1. PROVIDE DOMESTIC HOT WATER TANK C/W LEAK BREAKER, PT VALVE, ISOLATION VALVES, UNIONS, AND ACCESSORIES.
2. PROVIDE DOMESTIC, SANITARY, AND STORM PIPING C/W ACCESSORIES.
3. PROVIDE DOMESTIC HOT WATER TANK C/W ASSOCIATED ACCESSORIES AND VALVES.
4. PROVIDE STAINLESS STEEL SINK C/W FAUCET AND ACCESSORIES.
5. PROVIDE HOSE-BIBBS AS INDICATED. ALL EXTERIOR HOSE-BIBBS TO BE NON-FREEZE.



2 INCOMING WATER AND DOMESTIC TANK DETAIL
M3104 N.T.S.

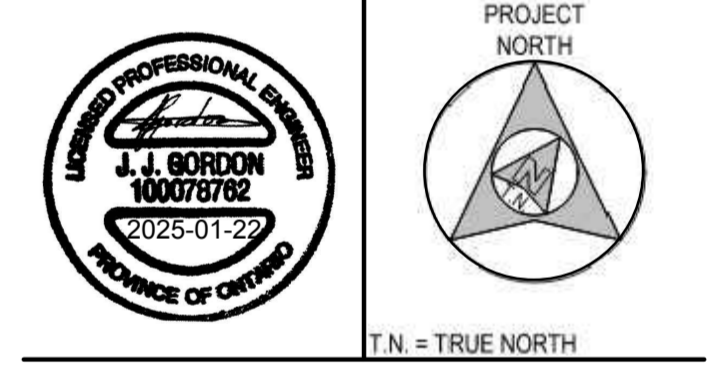
PLUMBING FIXTURE SCHEDULE

FIXTURE TAG	FIXTURE TYPE	CONNECTION SIZES				BASIS OF DESIGN	TRM MANUFACTURER/MODEL	ACCESSORIES	NOTES
		DCW (mmØ)	DHW (mmØ)	SAN (mmØ)	STM (mmØ)				
SS2	STAINLESS STEEL LAUNDRY SINK	13	13	50	-	NOVANNI 8102/316-24	DELTA 22C101	-	-
FD1	STANDARD FLOOR DRAIN	-	-	100	-	WATTS FD-100-C	-	-	-
FD2	HUB TYPE FLOOR DRAIN	-	-	100	-	WATTS FD-100-C-EG	-	-	-
TD1	TRENCH DRAIN - DECK CHANNEL	-	-	100	-	WATTS DEAD LEVEL S	-	-	C/W DUCTILE IRON FRAME
RD1	ROOF DRAIN	-	-	-	100	WATTS RD-100-A	-	-	-
CO	CLEAN OUT	-	-	-	-	WATTS CO-200-R	-	-	-
HB1	COLD WATER HOSE BIBB	20	-	-	-	WATTS SC8	-	-	-
HB2	HOT/COLD WATER HOSE BIBB	20	20	-	-	WATTS HY-700	-	-	-
NFHB	NON-FREEZE HOSE BIBB	20	-	-	-	WATTS HY-725	-	-	-
ET	EXPANSION TANK	20	-	-	-	EXPANFLEX HGTE-8	-	-	-
BFP	BACKFLOW PREVENTER	LINE SIZE	-	-	-	WATTS 009	-	-	-
TSP	TRAP SEAL PRIMER	20	-	-	-	MIFAB MI-100-10-3R	-	-	C/W SURFACE MOUNTED STEEL CABINET

- NOTES:
 1. VENT AS PER OBC REQUIREMENTS.
 2. ALL PLUMBING FIXTURES TO BE FROM SINGLE MANUFACTURER.
 3. INSTALL AS PER MANUFACTURER'S RECOMMENDATIONS.

DATE	NO.	REVISION
2025/01/23	2	ISSUED FOR TENDER
2024/08/23	1	ISSUED FOR ECA APPROVAL

THE DRAWINGS, ARRANGEMENTS, ANNOTATIONS AND GRAPHICAL PRESENTATIONS ON THIS DOCUMENT ARE THE PROPERTY OF EVB ENGINEERING WHO RETAINS OWNERSHIP AND AUTHORSHIP OF THIS DOCUMENT IN ITS ENTIRETY. THIS DOCUMENT IS AN INSTRUMENT OF SERVICE AND IS THE INTELLECTUAL AND PHYSICAL PROPERTY OF EVB ENGINEERING. AUTHORIZED USE OF THIS DRAWING IS GRANTED SOLELY FOR THE PURPOSE OF THIS SPECIFIC PROJECT AND LOCATION, AND NOT FOR CONSTRUCTION OR USE FOR ANY OTHER PROJECT.
 COPYRIGHT © 2024 EVB ENGINEERING.



CONSULTANT:
EVB ENGINEERING
 800 SECOND STREET WEST
 CORNWALL, ONTARIO CANADA, K6J 1H6
 TEL: 613-935-3775 | FAX: 613-935-6450
 WEBSITE: EVBengineering.com

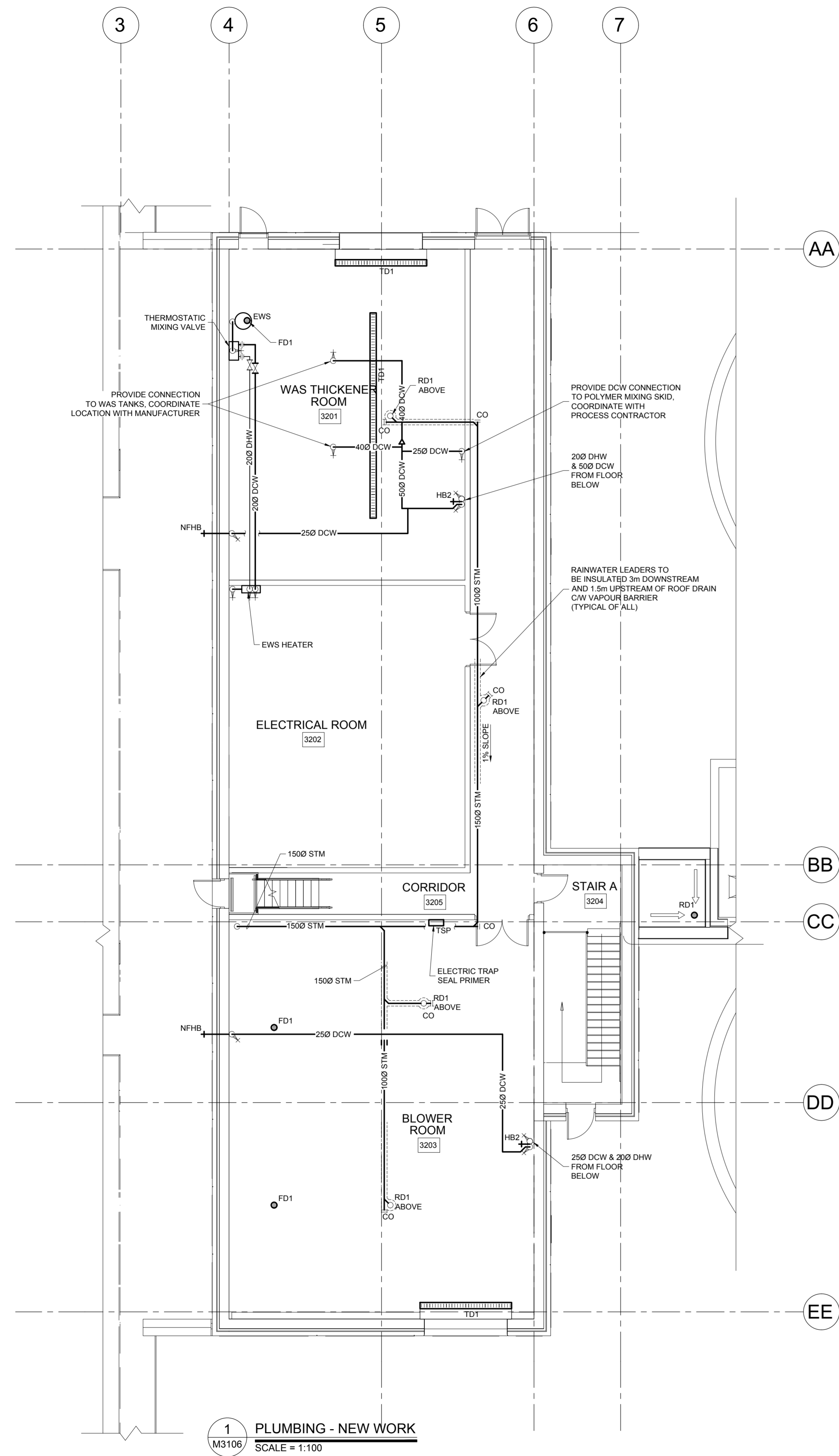


CLIENT:
Greater Napanee
CREATING OUR BEST REGION

PROJECT:
NEW NAPANEE WPCP

TITLE:
**OPERATIONS BUILDING
 GROUND FLOOR PLUMBING**

SCALE: 1 : 100	JOB NO.: 22001
DESIGNED BY: JIM G. & TAZ K.	DATE: 2025/01/23
DRAWN BY: TAZ K. & JIM G.	DRAWING NO.: M3104
CHECKED BY: JIM G.	



DESCRIPTION OF WORK:

1. PROVIDE DOMESTIC HOT WATER TANK CW LEAK BREAKER, PT VALVE, ISOLATION VALVES, UNIONS, AND ACCESSORIES.
2. PROVIDE DOMESTIC, SANITARY, AND STORM PIPING CW ACCESSORIES.

DATE	NO.	REVISION
2025/01/23	2	ISSUED FOR TENDER
2024/08/23	1	ISSUED FOR ECA APPROVAL

THE DRAWINGS, ARRANGEMENTS, ANNOTATIONS AND GRAPHICAL PRESENTATIONS ON THIS DOCUMENT ARE THE PROPERTY OF EVB ENGINEERING WHO RETAINS OWNERSHIP AND AUTHORSHIP OF THIS DOCUMENT IN ITS ENTIRETY. THIS DOCUMENT IS AN INSTRUMENT OF SERVICE AND IS THE INTELLECTUAL AND PHYSICAL PROPERTY OF EVB ENGINEERING. AUTHORIZED USE OF THIS DRAWING IS GRANTED SOLELY FOR THE PURPOSE OF THIS SPECIFIC PROJECT AND LOCATION, AND NOT FOR CONSTRUCTION OR USE FOR ANY OTHER PROJECT.
 COPYRIGHT © 2024 EVB ENGINEERING.

CONSULTANT:
 800 SECOND STREET WEST
 CORNWALL, ONTARIO CANADA, K6J 1H6
 TEL: 613-935-3775 | FAX: 613-935-6450
 WEBSITE: EVBengineering.com

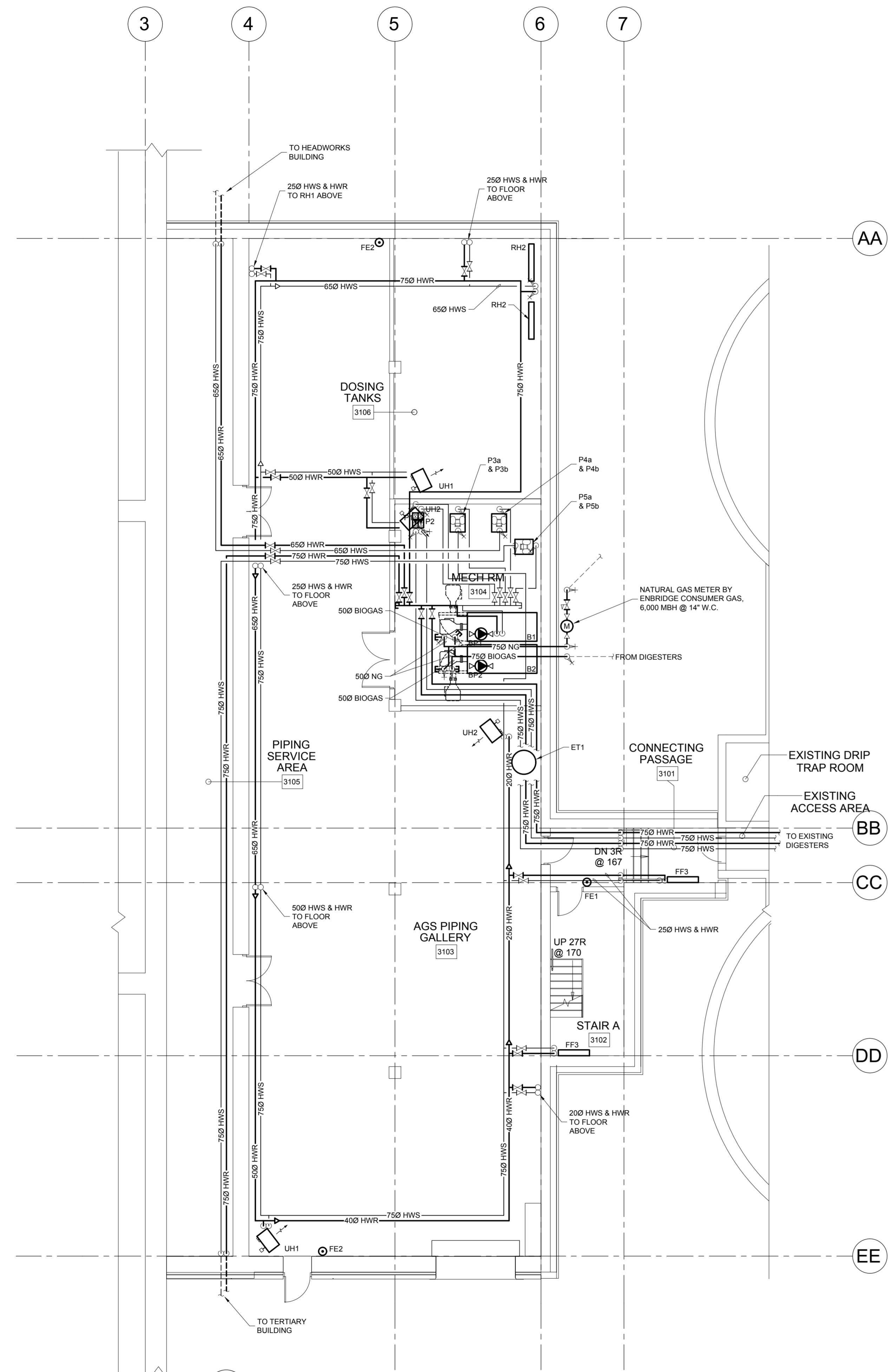
SUB-CONSULTANT:

CLIENT:
 Greater Napanee
 Greater for every business

PROJECT:
NEW NAPANEE WPCP

TITLE:
**OPERATIONS BUILDING
 SECOND FLOOR PLUMBING**

SCALE: 1 : 100	JOB NO: 22001
DESIGNED BY: JIM G. & TAZ K.	DATE: 2025/01/23
DRAWN BY: TAZ K. & JIM G.	DRAWING NO. M3106
CHECKED BY: JIM G.	



DESCRIPTION OF WORK:

1. PROVIDE HEATING WATER SUPPLY AND RETURN MAINS IN BUILDING C/W ASSOCIATED VALVES AND ACCESSORIES. PROVIDE BUILDING ISOLATION VALVES AT POINT MAINS EXIT SLAB.
2. PROVIDE UNIT CONNECTIONS C/W ASSOCIATED ISOLATION VALVES, CBV, STRAINERS AND CHECK VALVES.
3. PROVIDE DUAL FIRED BOILERS C/W BOILER PUMPS, HEADER, CLOSE-FITTING T'S, AND ACCESSORIES. PROVIDE NATURAL GAS CONNECTION AND BIOGAS CONNECTION TO BOILERS.
4. PROVIDE CIRCULATION PUMPS C/W ASSOCIATED VFD DRIVES. DRIVES TO BE MOUNTED AS PER ESA REQUIREMENTS. VFD'S TO BE MOUNTED ON UNISTRUT IN FRONT OF PIPE RISERS. COORDINATE WITH ELECTRICAL CONTRACTOR.
5. PROVIDE NEW LINES FROM BOILER ROOM TO EXISTING HEAT EXCHANGERS IN EXISTING DIGESTER BUILDING. CONNECT NEW LINES TO EXISTING HEAT EXCHANGERS.

DATE	NO.	REVISION
2025/01/23	2	ISSUED FOR TENDER
2024/08/23	1	ISSUED FOR ECA APPROVAL

THE DRAWINGS, ARRANGEMENTS, ANNOTATIONS AND GRAPHICAL PRESENTATIONS ON THIS DOCUMENT ARE THE PROPERTY OF EVB ENGINEERING WHO RETAINS OWNERSHIP AND AUTHORSHIP OF THIS DOCUMENT IN ITS ENTIRETY. THIS DOCUMENT IS AN INSTRUMENT OF SERVICE AND IS THE INTELLECTUAL AND PHYSICAL PROPERTY OF EVB ENGINEERING. AUTHORIZED USE OF THIS DRAWING IS GRANTED SOLELY FOR THE PURPOSE OF THIS SPECIFIC PROJECT AND LOCATION, AND NOT FOR CONSTRUCTION OR USE FOR ANY OTHER PROJECT.
 COPYRIGHT © 2024 EVB ENGINEERING.

T.N. = TRUE NORTH

CONSULTANT:

 800 SECOND STREET WEST
 CORNWALL, ONTARIO CANADA, K6J 1H6
 TEL: 613-935-3775 | FAX: 613-935-6450
 WEBSITE: EVBengineering.com

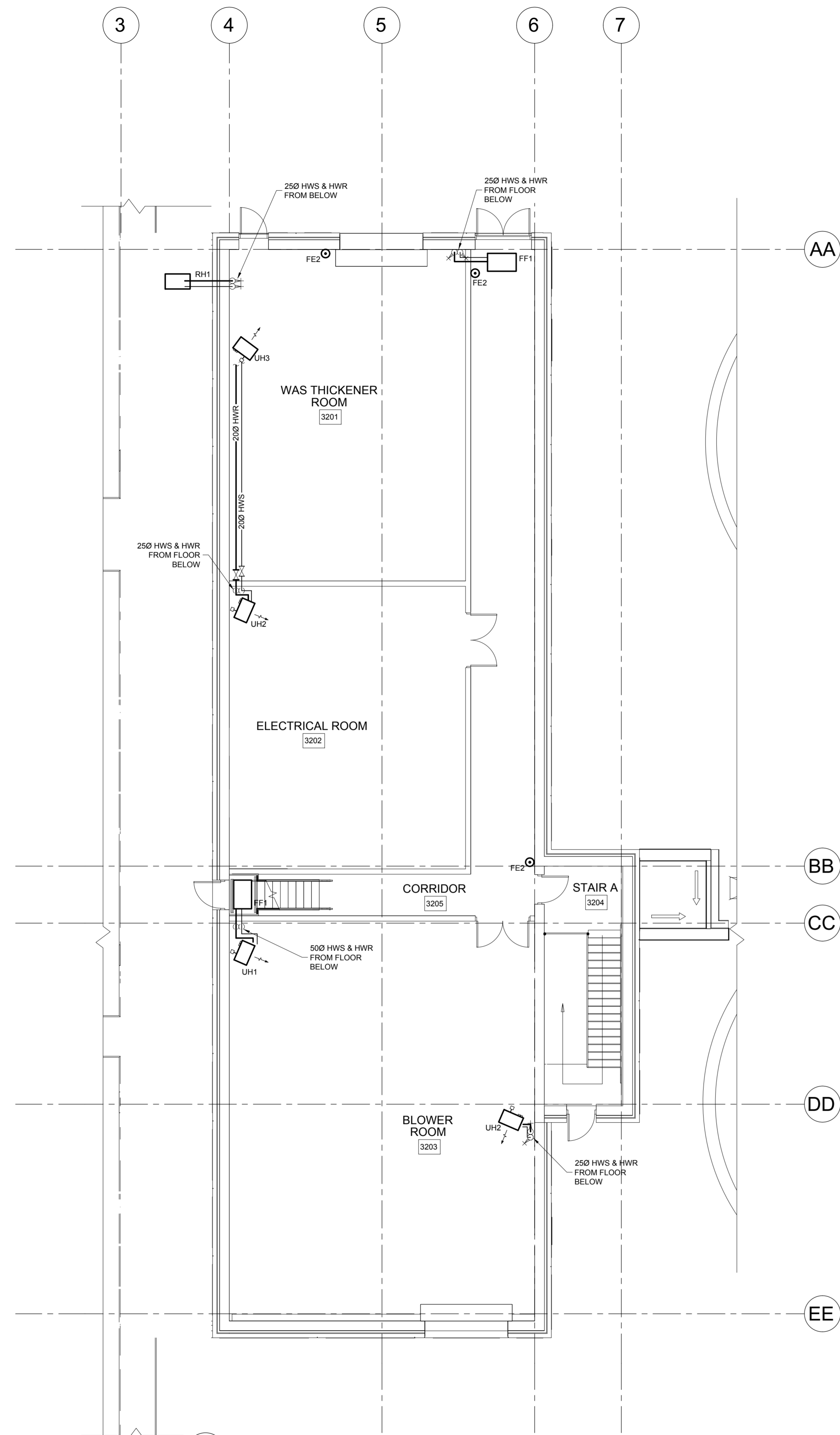
SUB-CONSULTANT:

CLIENT:

PROJECT:
NEW NAPANEE WPCP

TITLE:
**OPERATIONS BUILDING
 GROUND FLOOR UTILITIES
 & FIRE PROTECTION**

SCALE: 1 : 100	JOB NO: 22001
DESIGNED BY: JIM G. & TAZ K.	DATE: 2025/01/23
DRAWN BY: TAZ K. & JIM G.	DRAWING NO. M3108
CHECKED BY: JIM G.	



DESCRIPTION OF WORK:

1. PROVIDE HEATING WATER SUPPLY AND RETURN MAINS IN BUILDING C/W ASSOCIATED VALVES AND ACCESSORIES. PROVIDE BUILDING ISOLATION VALVES AT POINT MAINS EXIT SLAB.
2. PROVIDE UNIT CONNECTIONS C/W ASSOCIATED ISOLATION VALVES, CBV, STRAINERS AND CHECK VALVES.

1 UTILITIES - NEW WORK
M3109 SCALE = 1:100

DATE	NO.	REVISION
2025/01/23	2	ISSUED FOR TENDER
2024/08/23	1	ISSUED FOR ECA APPROVAL

THE DRAWINGS, ARRANGEMENTS, ANNOTATIONS AND GRAPHICAL PRESENTATIONS ON THIS DOCUMENT ARE THE PROPERTY OF EVB ENGINEERING WHO RETAINS OWNERSHIP AND AUTHORSHIP OF THIS DOCUMENT IN ITS ENTIRETY. THIS DOCUMENT IS AN INSTRUMENT OF SERVICE AND IS THE INTELLECTUAL AND PHYSICAL PROPERTY OF EVB ENGINEERING. AUTHORIZED USE OF THIS DRAWING IS GRANTED SOLELY FOR THE PURPOSE OF THIS SPECIFIC PROJECT AND LOCATION, AND NOT FOR CONSTRUCTION OR USE FOR ANY OTHER PROJECT.
COPYRIGHT © 2024 EVB ENGINEERING.

PROJECT NORTH
T.N. = TRUE NORTH

CONSULTANT:

800 SECOND STREET WEST
CORNWALL, ONTARIO CANADA, K6J 1H6
TEL: 613-935-3775 | FAX: 613-935-6450
WEBSITE: EVBengineering.com

SUB-CONSULTANT:

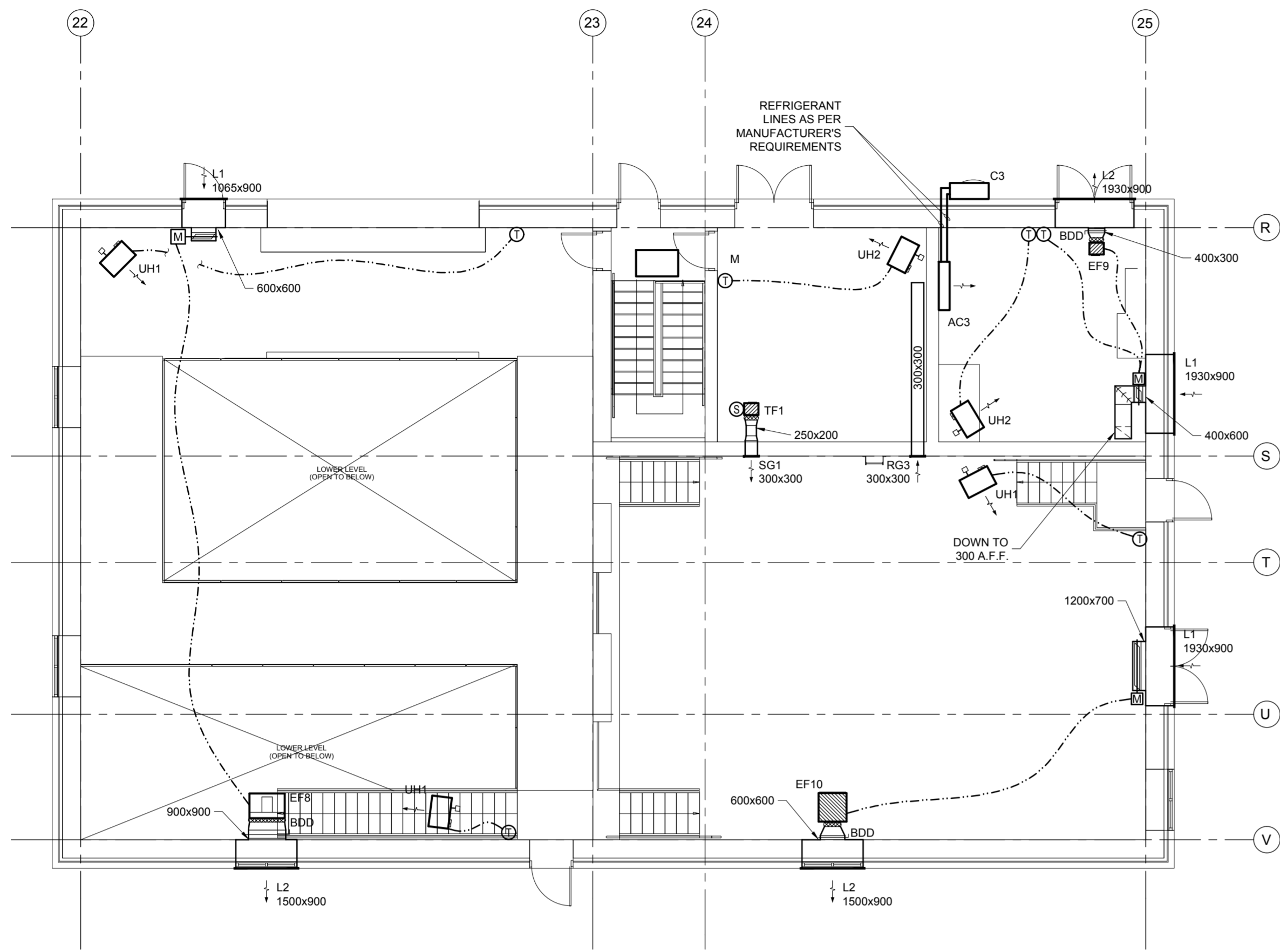
CLIENT:

Greater Napanee
CREATING OUR HAPPY REGION

PROJECT:
NEW NAPANEE WPCP

TITLE:
**OPERATIONS BUILDING
SECOND FLOOR UTILITIES
& FIRE PROTECTION**

SCALE: 1 : 100	JOB NO: 22001
DESIGNED BY: JIM G. & TAZ K.	DATE: 2025/01/23
DRAWN BY: TAZ K. & JIM G.	DRAWING NO. M3109
CHECKED BY: JIM G.	



1 HVAC - NEW WORK
M4101 SCALE = 1:100

DESCRIPTION OF WORK:

1. PROVIDE EXHAUST FANS AS INDICATED CW ASSOCIATED BACKDRAFT DAMPERS/MOTORIZED DAMPERS AND ACCESSORIES. COORDINATE MOTORIZED DAMPER VOLTAGE WITH FAN TO ALLOW FOR OPERATION OF FAN THROUGH DAMPER END SWITCH.
2. PROVIDE UNIT HEATERS CW ASSOCIATED REMOTE THERMOSTATS AND ACCESSORIES.
3. PROVIDE INTAKE AND EXHAUST LOUVRES AS INDICATED CW INSULATED METAL BLANK-OFF PANEL. CUT OPENINGS FOR DUCTWORK TO SIZE AS INDICATED. COORDINATE FINAL SIZES WITH GENERAL TRADES PRIOR TO ORDERING OF LOUVRES AND COORDINATE WITH PRECAST WALL SYSTEM.

DATE	NO.	REVISION
2025/01/23	2	ISSUED FOR TENDER
2024/08/23	1	ISSUED FOR ECA APPROVAL

THE DRAWINGS, ARRANGEMENTS, ANNOTATIONS AND GRAPHICAL PRESENTATIONS ON THIS DOCUMENT ARE THE PROPERTY OF EVB ENGINEERING WHO RETAINS OWNERSHIP AND AUTHORSHIP OF THIS DOCUMENT IN ITS ENTIRETY. THIS DOCUMENT IS AN INSTRUMENT OF SERVICE AND IS THE INTELLECTUAL AND PHYSICAL PROPERTY OF EVB ENGINEERING. AUTHORIZED USE OF THIS DRAWING IS GRANTED SOLELY FOR THE PURPOSE OF THIS SPECIFIC PROJECT AND LOCATION, AND NOT FOR CONSTRUCTION OR USE FOR ANY OTHER PROJECT.
COPYRIGHT © 2024 EVB ENGINEERING.

CONSULTANT:

800 SECOND STREET WEST
CORNWALL, ONTARIO CANADA, K6J 1H6
TEL: 613-935-3775 | FAX: 613-935-6450
WEBSITE: EVBengineering.com

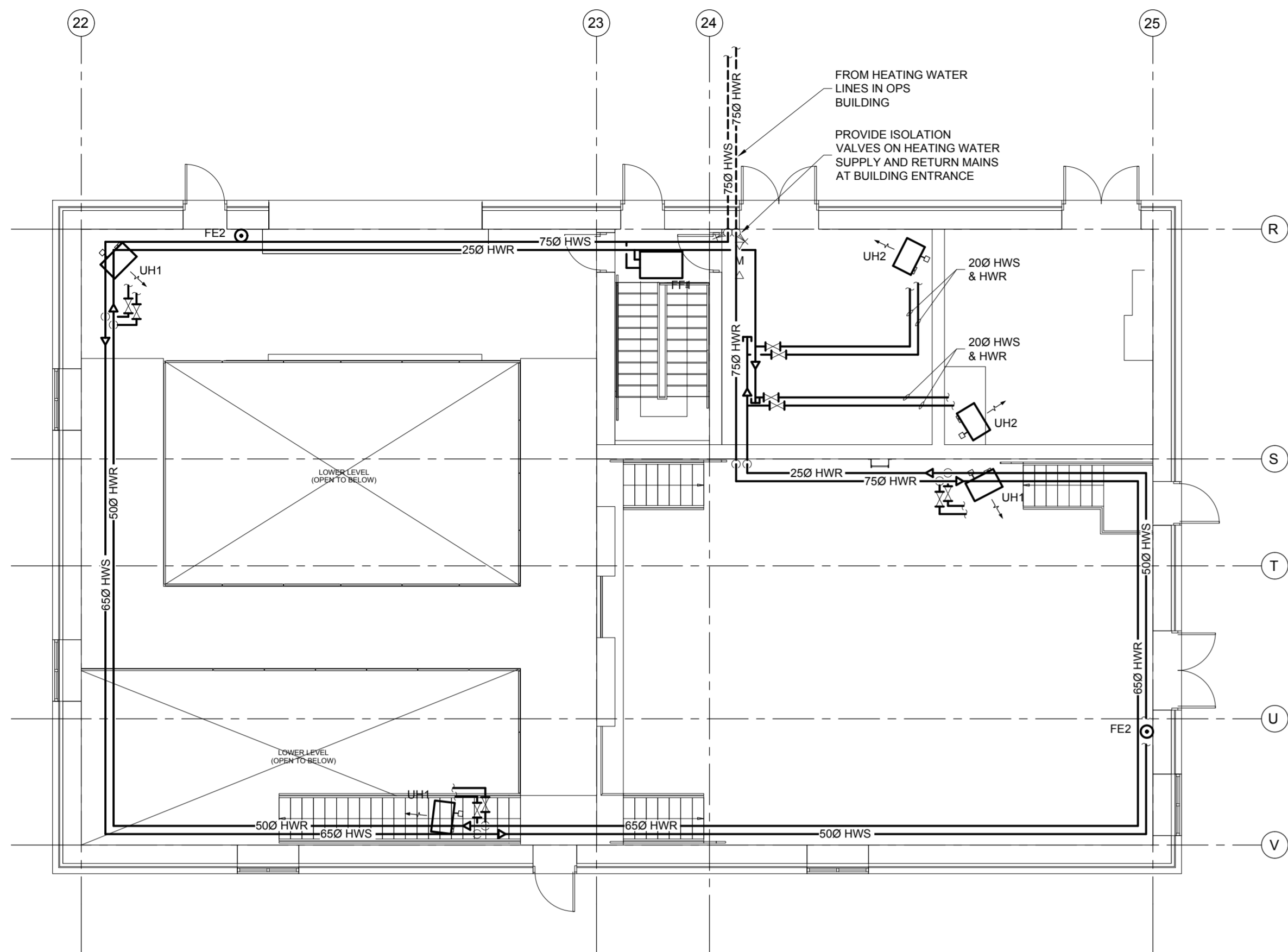
SUB-CONSULTANT:

CLIENT:

PROJECT:
NEW NAPANEE WPCP

TITLE:
**TERTIARY/UV BUILDING -
GROUND FLOOR HVAC**

SCALE: 1 : 100	JOB NO: 22001
DESIGNED BY: JIM G. & TAZ K.	DATE: 2025/01/23
DRAWN BY: TAZ K. & JIM G.	DRAWING NO. M4101
CHECKED BY: JIM G.	



1 UTILITIES - NEW WORK
M4102 SCALE = 1:100

DESCRIPTION OF WORK:

1. PROVIDE HEATING WATER SUPPLY AND RETURN MAINS IN BUILDING C/W ASSOCIATED VALVES AND ACCESSORIES. PROVIDE BUILDING ISOLATION VALVES AT POINT MAINS EXIT SLAB.
2. PROVIDE UNIT CONNECTIONS C/W ASSOCIATED ISOLATION VALVES, CBV, STRAINERS AND CHECK VALVES.

DATE	NO.	REVISION
2025/01/23	2	ISSUED FOR TENDER
2024/08/23	1	ISSUED FOR ECA APPROVAL

THE DRAWINGS, ARRANGEMENTS, ANNOTATIONS AND GRAPHICAL PRESENTATIONS ON THIS DOCUMENT ARE THE PROPERTY OF EVB ENGINEERING WHO RETAINS OWNERSHIP AND AUTHORSHIP OF THIS DOCUMENT IN ITS ENTIRETY. THIS DOCUMENT IS AN INSTRUMENT OF SERVICE AND IS THE INTELLECTUAL AND PHYSICAL PROPERTY OF EVB ENGINEERING. AUTHORIZED USE OF THIS DRAWING IS GRANTED SOLELY FOR THE PURPOSE OF THIS SPECIFIC PROJECT AND LOCATION, AND NOT FOR CONSTRUCTION OR USE FOR ANY OTHER PROJECT.
COPYRIGHT © 2024 EVB ENGINEERING.

CONSULTANT:

800 SECOND STREET WEST
CORNWALL, ONTARIO CANADA, K6J 1H6
TEL: 613-935-3775 | FAX: 613-935-6450
WEBSITE: EVBengineering.com

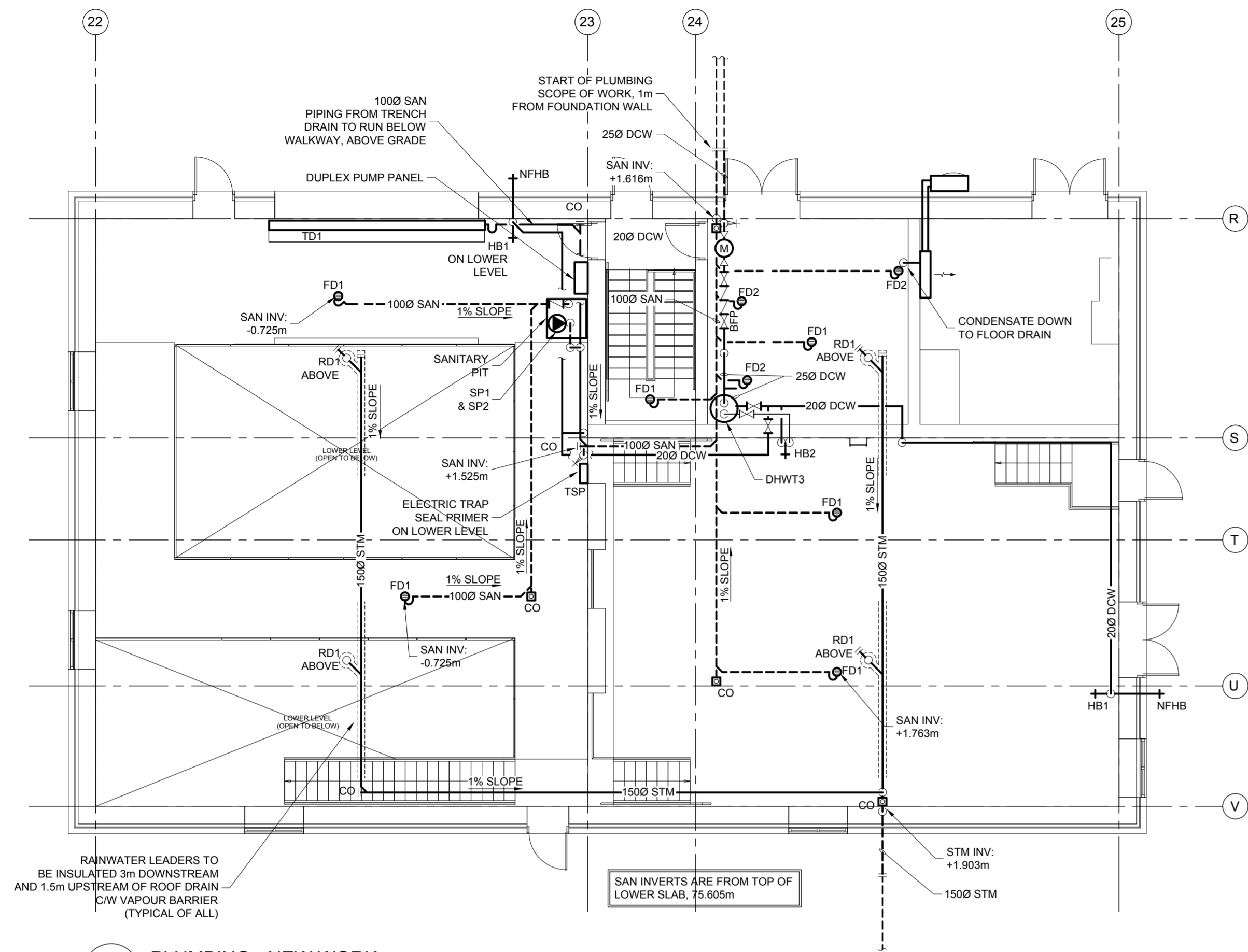
SUB-CONSULTANT:

CLIENT:

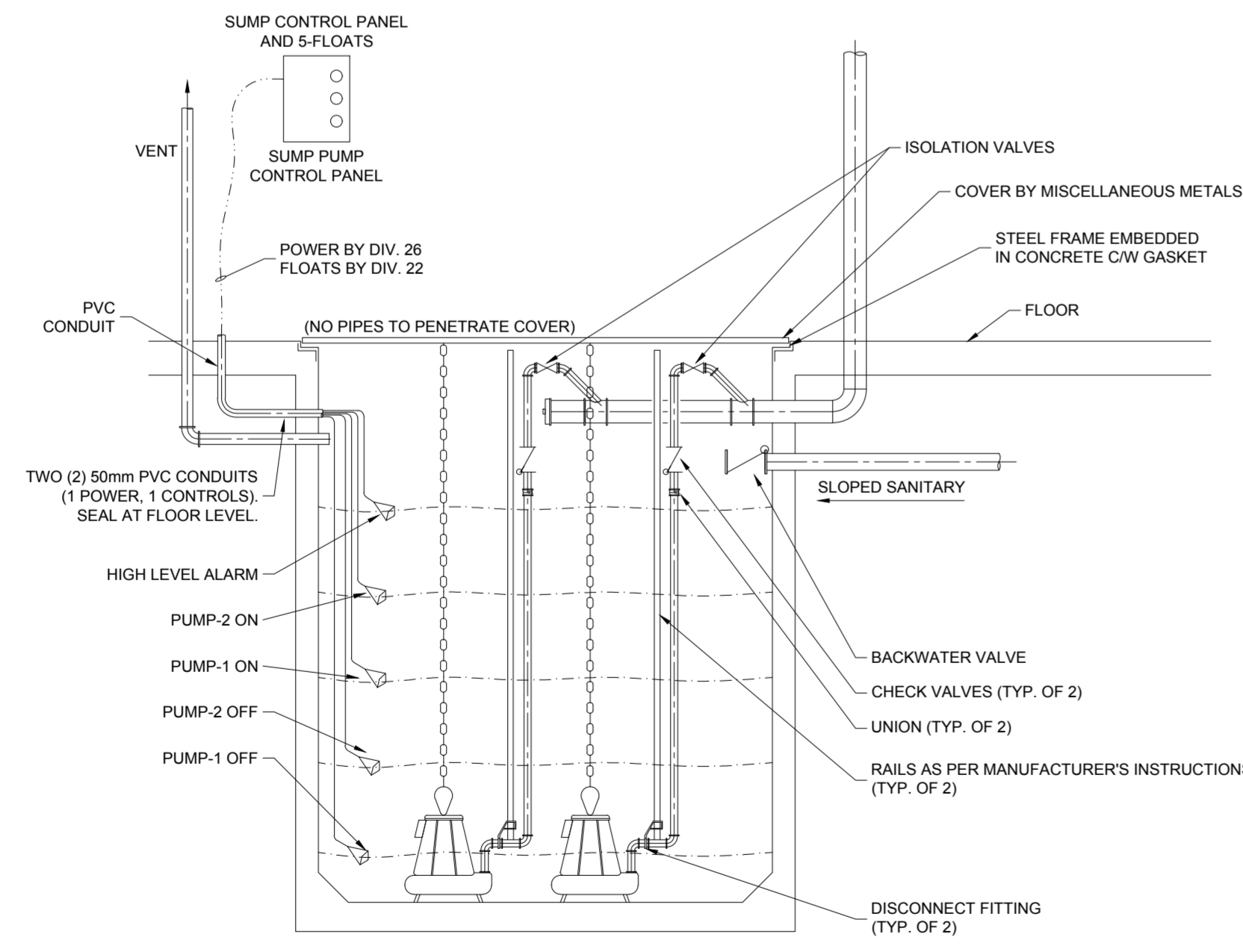
PROJECT:
NEW NAPANEE WPCP

TITLE:
**TERTIARY/UV BUILDING
GROUND FLOOR UTILITIES
& FIRE PROTECTION**

SCALE: 1 : 100	JOB NO: 22001
DESIGNED BY: JIM G. & TAZ K.	DATE: 2025/01/23
DRAWN BY: TAZ K. & JIM G.	DRAWING NO. M4102
CHECKED BY: JIM G.	



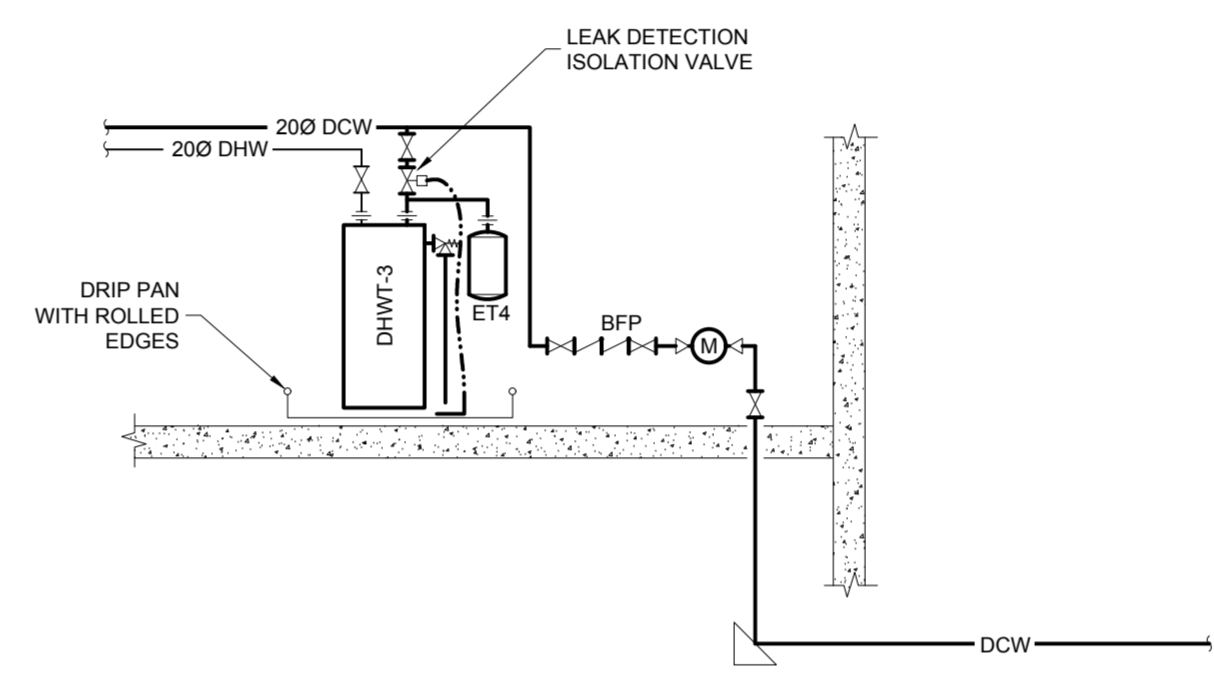
1 PLUMBING - NEW WORK
M4103 SCALE = 1:100



3 SANITARY SUMP PIT DETAIL
M4103 N.T.S.

DESCRIPTION OF WORK:

1. PROVIDE DOMESTIC HOT WATER TANK C/W LEAK BREAKER, PT VALVE, ISOLATION VALVES, UNIONS, AND ACCESSORIES.
2. PROVIDE DOMESTIC, SANITARY, AND STORM PIPING C/W ACCESSORIES.



2 INCOMING WATER AND DOMESTIC TANK DETAIL
M4103 N.T.S.

PLUMBING FIXTURE SCHEDULE									
FIXTURE TAG	FIXTURE TYPE	CONNECTION SIZES				BASIS OF DESIGN	TRIM MANUFACTURER/MODEL	ACCESSORIES	NOTES
		DCW (mmØ)	DHW (mmØ)	SAN (mmØ)	STM (mmØ)				
FD1	STANDARD FLOOR DRAIN	-	-	100	-	WATTS FD-100-C	-	-	-
FD2	HUB TYPE FLOOR DRAIN	-	-	100	-	WATTS FD-100-C-EG	-	-	-
TD1	TRENCH DRAIN - DECK CHANNEL	-	-	100	-	WATTS DEAD LEVEL S	-	-	CW DUCTILE IRON FRAME
RD1	ROOF DRAIN	-	-	-	100	WATTS RD-100-A	-	-	-
CO	CLEAN OUT	-	-	PIPE SIZE	-	WATTS CO-200-R	-	-	-
HB1	COLD WATER HOSE BIBB	20	-	-	-	WATTS SC8	-	-	-
HB2	HOT/COLD WATER HOSE BIBB	20	20	-	-	WATTS HY-700	-	-	-
NFHB	NON-FREEZE HOSE BIBB	20	-	-	-	WATTS HY-725	-	-	-
ET4	EXPANSION TANK	20	-	-	-	EXPANFLEX HGTE-8	-	-	-
BFP	BACKFLOW PREVENTER	LINE SIZE	-	-	-	WATTS 009	-	-	-
TSP	TRAP SEAL PRIMER	25	-	-	-	MIFAB MI-100-10-3R	-	-	CW SURFACE MOUNTED STEEL CABINET

NOTES:
 1. VENT AS PER OBC REQUIREMENTS.
 2. ALL PLUMBING FIXTURES TO BE FROM SINGLE MANUFACTURER.
 3. INSTALL AS PER MANUFACTURER'S RECOMMENDATIONS.

DATE	NO.	REVISION
2025/01/23	2	ISSUED FOR TENDER
2024/08/23	1	ISSUED FOR ECA APPROVAL

THE DRAWINGS, ARRANGEMENTS, ANNOTATIONS AND GRAPHICAL PRESENTATIONS ON THIS DOCUMENT ARE THE PROPERTY OF EVB ENGINEERING WHO RETAINS OWNERSHIP AND AUTHORSHIP OF THIS DOCUMENT IN ITS ENTIRETY. THIS DOCUMENT IS AN INSTRUMENT OF SERVICE AND IS THE INTELLECTUAL AND PHYSICAL PROPERTY OF EVB ENGINEERING. AUTHORIZED USE OF THIS DRAWING IS GRANTED SOLELY FOR THE PURPOSE OF THIS SPECIFIC PROJECT AND LOCATION, AND NOT FOR CONSTRUCTION OR USE FOR ANY OTHER PROJECT.
 COPYRIGHT © 2024 EVB ENGINEERING.

CONSULTANT:

800 SECOND STREET WEST
 CORNWALL, ONTARIO CANADA, K6J 1H6
 TEL: 613-935-3775 | FAX: 613-935-6450
 WEBSITE: EVBengineering.com

SUB-CONSULTANT:

CLIENT:

PROJECT:
NEW NAPANEE WPCP

TITLE:
**TERTIARY/UV BUILDING
GROUND FLOOR PLUMBING**

SCALE: 1 : 100	JOB NO: 22001
DESIGNED BY: JIM G. & TAZ K.	DATE: 2025/01/23
DRAWN BY: TAZ K. & JIM G.	DRAWING NO. M4103
CHECKED BY: JIM G.	

LIGHTING LEGEND

	LIGHT FIXTURE TYPE MARK, LETTER DENOTES TYPE. REFER TO FIXTURE SCHEDULE.
	SURFACE MOUNTED LINEAR LIGHT FIXTURE, TYPE AS INDICATED
	RECESSED LINEAR LIGHT FIXTURE, TYPE AS INDICATED
	SUSPENDED LINEAR LIGHT FIXTURE, TYPE AS INDICATED
	SURFACE MOUNTED STRIP LIGHT FIXTURE, TYPE AS INDICATED
	WALL MOUNTED STRIP LIGHT FIXTURE, TYPE AS INDICATED
	SURFACE MOUNTED LIGHT FIXTURE, TYPE AS INDICATED
	RECESSED LIGHT FIXTURE, TYPE AS INDICATED
	PENDANT MOUNTED LIGHT FIXTURE, TYPE AS INDICATED
	POLE MOUNTED LIGHT FIXTURE - ARROWS DENOTE OPTICS ROTATION
	EXIT SIGN C/W FACES AND ARROWS AS INDICATED - CEILING MOUNTED
	EXIT SIGN C/W FACES AND ARROWS AS INDICATED - WALL MOUNTED
	EXIT SIGN AND EMERGENCY LIGHTING COMBINATION UNIT.
	EMERGENCY LIGHTING BATTERY UNIT C/W NUMBER OF HEADS SHOWN. SEE BU SCHEDULE.
	EMERGENCY LIGHTING REMOTE FIXTURE C/W NUMBER OF HEADS SHOWN - WALL MOUNTED
	EMERGENCY LIGHTING REMOTE FIXTURE C/W NUMBER OF HEADS SHOWN - CEILING MOUNTED
	LINE VOLTAGE LIGHT SWITCH * TYPE AS INDICATED, REFER TO LEGEND BELOW
	LOW VOLTAGE (< 30V) LIGHT SWITCH * TYPE AS INDICATED, REFER TO LEGEND BELOW
	LIGHTING CONTACTOR, NUMBER OF POLES TO SUIT.
	HAND-OFF-AUTO SELECTOR SWITCH
	OCCUPANCY SENSOR - INFRARED WALL MOUNTED / CEILING MOUNTED
	PHOTOCELL - EXTERIOR WALL MOUNTED / CEILING MOUNTED
	DAYLIGHT SENSOR - INTERIOR WALL MOUNTED / CEILING MOUNTED
	CIRCUIT TAG: PANEL-CIRCUIT / SWITCH LEG EX: PANEL '3A', CIRCUIT 12, SWITCH 'S1'
	LIGHTING CIRCUIT CONDUCTOR

NOTE: NOT ALL SYMBOLS APPLY. CONTRACTOR TO REFER TO FLOOR PLANS.

FIRE ALARM SYMBOLS

	SMOKE DETECTOR - IONIZATION
	SMOKE DETECTOR - PHOTOELECTRIC
	DUCT SMOKE DETECTOR - TYPE AS INDICATED
	HEAT DETECTOR - FIXED 88degC
	HEAT DETECTOR - FIXED 58degC
	HEAT DETECTOR - RATE OF RISE
	FIRE ALARM MANUAL PULL STATION
	FIRE ALARM BELL
	FIRE ALARM COMBINATION BELL AND STROBE
	FIRE ALARM STROBE
	FIRE ALARM HORN
	FIRE ALARM COMBINATION HORN AND STROBE
	END OF LINE RESISTOR
	FIRE ALARM CONTROL UNIT
	FIRE ALARM & CONTROL FACILITY
	FIRE ALARM ANNUNCIATOR PANEL
	MAGNETIC DOOR HOLDER
	PRESSURE SWITCH
	FLOW SWITCH
	TAMPER SWITCH
	DRY ALARM SWITCH

* MODIFIERS (WP=WEATHER-PROOF, EXP=EXPLOSION PROOF, RB=RELAY BASE)

NOTE: NOT ALL SYMBOLS APPLY. CONTRACTOR TO REFER TO FLOOR PLANS.

SECURITY SYSTEM SYMBOLS

	SECURITY PANEL
	SECURITY KEYPAD
	SECURITY ALARM HORN
	SECURITY CAMERA
	SECURITY DOOR CONTACT
	SECURITY MOTION DETECTOR

NOTE: NOT ALL SYMBOLS APPLY. CONTRACTOR TO REFER TO FLOOR PLANS.

GAS DETECTION SYMBOLS

	120V CARBON DIOXIDE ALARM
	CARBON MONOXIDE SENSOR - INDICATING TRANSMITTER
	METHANE SENSOR - INDICATING TRANSMITTER
	HYDRONE SULPHIDE SENSOR - INDICATING TRANSMITTER
	OXYGEN SENSOR - INDICATING TRANSMITTER
	GAS DETECTION STROBE
	GAS DETECTION HORN
	GAS DETECTION COMBINATION HORN AND STROBE

NOTE: NOT ALL SYMBOLS APPLY. CONTRACTOR TO REFER TO FLOOR PLANS.

HAZARDOUS LOCATIONS

	CLASS 1 - DIV. 1, GROUP 'D'
	CLASS 1 - DIV. 2, GROUP 'D'
	AREA BOUNDARY

POWER LAYOUT SYMBOLS

	FUSED DISCONNECT SWITCH, REFER TO SINGLE LINE DIAGRAM FOR SIZE AND TYPE.
	UNFUSED DISCONNECT SWITCH
	H.O.A. COMBINATION MAGNETIC MOTOR STARTER WITH SELECTOR AND DISCONNECT SWITCH
	MAGNETIC MOTOR STARTER C/W H.O.A. SELECTOR SWITCH
	MANUAL MOTOR STARTER C/W OVERLOADS
	HP RATED TOGGLE SWITCH
	SINGLE PHASE MOTOR CONNECTION
	THREE PHASE MOTOR CONNECTION
	SINGLE PHASE DIRECT CONNECTION TO EQUIPMENT.
	THREE PHASE DIRECT CONNECTION TO EQUIPMENT.
	DUPLEX RECEPTACLE, TYPE AS INDICATED. * REFER TO ABBREVIATION LEGEND
	G.F.C.I. DUPLEX RECEPTACLE * REFER TO ABBREVIATION LEGEND
	HALF-SWITCHED DUPLEX RECEPTACLE * REFER TO ABBREVIATION LEGEND
	SPLIT DUPLEX RECEPTACLE * REFER TO ABBREVIATION LEGEND
	SPECIAL PURPOSE RECEPTACLE. * REFER TO ABBREVIATION LEGEND
	60A-4P/4W WELDING RECEPTACLE C/W INTERLOCKED DISCONNECT SWITCH
	DECONTACTOR RECEPTACLE
	JUNCTION BOX - SIZE TO SUIT
	THERMOSTAT, BY MECHANICAL CONTRACTOR
	VERTICAL CONDUIT - TOP ENTRY / DROPPING
	VERTICAL CONDUIT - BOTTOM ENTRY / RISING
	EQUIPMENT WORK SPACE BOUNDARY
	CIRCUIT CONDUCTOR/CONDUIT
	CIRCUIT TAG: PANEL-CIRCUIT NUMBER

* SPECIALTY OUTLETS (WP=WEATHER-PROOF, EXP=EXPLOSION PROOF, R=RANGE, GF=PROTECTED BY GFI)

NOTE: NOT ALL SYMBOLS APPLY. CONTRACTOR TO REFER TO FLOOR PLANS.

TELECOM SYMBOLS

	WALL MOUNTED TELEPHONE OUTLET, NUMBER OF OUTLETS AS INDICATED.
	WALL MOUNTED DATA OUTLET, NUMBER OF OUTLETS AS INDICATED.
	WALL MOUNTED DATA OUTLET CONNECTED TO SCADA NETWORK.
	WALL MOUNTED PHONE & DATA OUTLET, NUMBER OF OUTLETS AS INDICATED.
	WALL MOUNTED SPECIAL PURPOSE OUTLET, NUMBER OF OUTLETS AS INDICATED.
	FLOOR MOUNTED DATA OUTLET, NUMBER OF OUTLETS AS INDICATED.
	FLOOR MOUNTED PHONE & DATA OUTLET, NUMBER OF OUTLETS AS INDICATED.
	FLOOR MOUNTED SPECIAL PURPOSE OUTLET, NUMBER OF OUTLETS AS INDICATED.
	CEILING MOUNTED DATA OUTLET, NUMBER OF OUTLETS AS INDICATED.
	CEILING MOUNTED PHONE & DATA OUTLET, NUMBER OF OUTLETS AS INDICATED.
	CEILING MOUNTED SPECIAL PURPOSE OUTLET, NUMBER OF OUTLETS AS INDICATED.
	WIFI ACCESS POINT

* SPECIALTY OUTLETS (C=CATV, F=FIBER, H=HDMI, I=INTERCOM, X=XLR)

NOTE: NOT ALL SYMBOLS APPLY. CONTRACTOR TO REFER TO FLOOR PLANS.

ONE-LINE SYMBOLS

	MOTOR, RATING AS SHOWN
	GENERATOR, RATING AS SHOWN
	HARMONIC FILTER, RATING AS SHOWN
	DISCONNECT SWITCH, RATING AS SHOWN
	FUSED DISCONNECT SWITCH
	CIRCUIT BREAKER
	MOTOR CIRCUIT PROTECTOR
	THERMAL OVERLOAD
	TRANSFORMER
	SURGE PROTECTION DEVICE, RATING AS INDICATED
	LOCAL CONTROL STATION. SEE MOTOR CONTROL SCHEMATICS FOR WIRING DETAILS.
	EYS SEAL
	CABLE SPLICE

NOTE: NOT ALL SYMBOLS APPLY. CONTRACTOR TO REFER TO FLOOR PLANS.

ANNOTATIVE SYMBOLS

	DRAWING NOTE REFERENCE.
--	-------------------------

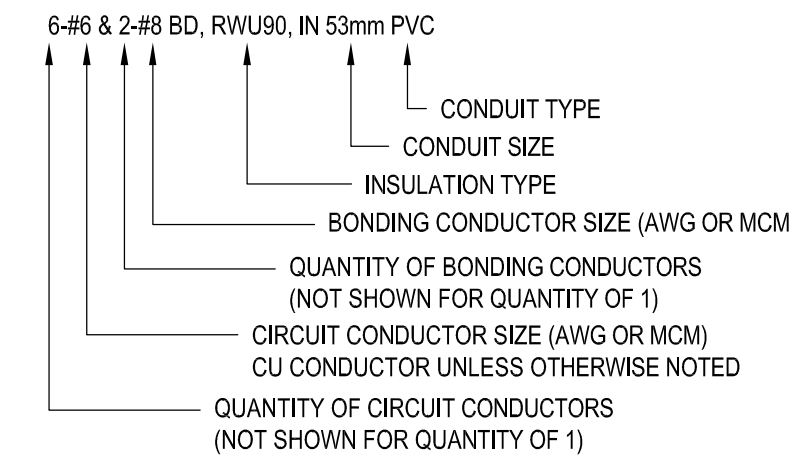
NOTE: NOT ALL SYMBOLS APPLY. CONTRACTOR TO REFER TO FLOOR PLANS.

DEMO/REWORK SYMBOLS

	DEMO ALL EQUIPMENT WITHIN HATCHED BOUNDARY UNLESS OTHERWISE INDICATED.
	REMOVE DEVICE
	REMOVE CIRCUIT/WIRING AND ASSOCIATED CONDUIT AND/OR SUPPORTS.
	EQUIPMENT TO BE DEMOLISHED
	EXISTING EQUIPMENT TO REMAIN

NOTE: NOT ALL SYMBOLS APPLY. CONTRACTOR TO REFER TO FLOOR PLANS.

WIRE NAMING CONVENTION



ABBREVIATIONS

AWG	AMERICAN WIRE GAUGE
AFF	ABOVE FINISHED FLOOR
BC	BELOW CEILING
BD	BOND
C/W	COMPLETE WITH
CCT	CIRCUIT
CH	COUNTERTOP HEIGHT
CM	CEILING MOUNT
CT	CURRENT TRANSFORMER
D	DRYER
DB2	TYPE DB2 PVC DUCT
DP	DISTRIBUTION PANELBOARD
EMT	ELECTRICAL METALLIC TUBING
EXP	EXPLOSION PROOF RATED FOR HAZARDOUS AREA
F	FRIDGE
GFCI	GROUND FAULT CIRCUIT INTERRUPTER
HP	HORSE POWER
JB	JUNCTION BOX
LHH	LIGHTING HANDHOLE (UNDERGROUND)
LP	LIGHTING PANELBOARD
LS	LIGHTING STANDARD
LT-FMC	LIQUID TIGHT FLEXIBLE METALLIC CONDUIT
MCM	THOUSANDS OF CIRCULAR MILS
MH	MOUNTING HEIGHT
NGR	NEUTRAL GROUNDING RESISTOR
O.P.S.D.	ONTARIO PROVINCIAL STANDARD DRAWING
PB	PULL BOX FREE OF SPLICES/JUNCTIONS
PT	POTENTIAL TRANSFORMER
PVC	SCHEDULE 40 RIGID PVC
RMC	RIGID METAL CONDUIT - GALVANIZED STEEL
RMC-EP	RIGID METAL CONDUIT - EPOXY COATED
R	RANGE
SLD	SINGLE LINE DIAGRAM
SWBD	SWITCHBOARD
SWGR	SWITCHGEAR
TX	TYPICAL
VFD	VARIABLE FREQUENCY DRIVE
W	WELDER
WP	WEATHER PROOF

GENERAL NOTES:

- CONTRACT DRAWINGS:**
CONTRACT DRAWINGS FOR ELECTRICAL WORK ARE IN PART DIAGRAMMATIC, INTENDED TO CONVEY THE SCOPE AND GENERAL ARRANGEMENT OF ELECTRICAL WORK. CONTRACTOR TO COORDINATE LAYOUT OF ELECTRICAL WORK WITH SITE CONDITIONS, AS WELL AS WITH WORK BY OTHER TRADES. PROVIDE ADDITIONAL JUNCTION BOXES, FITTINGS, SUPPORTS, ETC. REQUIRED TO FACILITATE THE WORK. NO EXTRA PAYMENTS ARISING FROM FAILURE TO MAKE THIS COORDINATION WILL BE CONSIDERED.
- CONTRACT SPECIFICATIONS:**
CONTRACT DRAWINGS ARE TO BE READ IN CONJUNCTION WITH CONTRACT SPECIFICATIONS. IN CASE OF CONFLICT, AMBIGUITY, OR DOUBT, APPLY TO THE ENGINEER FOR RULING IN WRITING FOR CLARIFICATION.
- PHASING NOTE:**
REFER TO PHASING DOCUMENTS AND COORDINATE WITH ALL OTHER TRADES PRIOR TO ANY DEMOLITION AND/OR INSTALLATION TO ENSURE MINIMUM DISRUPTION TO THE FACILITY OPERATIONS.
- HAZARDOUS LOCATIONS:**
REFER TO 'AREA CLASSIFICATION' DRAWINGS TO DETERMINE EXTENTS OF HAZARDOUS AREAS. ALL ELECTRICAL EQUIPMENT LOCATED WITHIN HAZARDOUS AREAS TO BE EXPLOSION PROOF, SUITABLE FOR AREA CLASSIFICATION IN WHICH THEY ARE INSTALLED.
PROVIDE EYS SEALS FOR ALL CONDUITS THAT TRANSFER FROM CLASSIFIED AREAS TO AN UNCLASSIFIED AREAS.
- WALL/FLOOR/ROOF PENETRATIONS:**
ALL WALL/FLOOR/ROOF PENETRATIONS REQUIRE FIRE/WEATHER STOPPAGE PER SPECIFICATIONS. REFER TO ARCHITECTURAL DRAWINGS AND SPECIFICATIONS FOR FURTHER DETAILS. COORDINATE CORING WITH STRUCTURAL. X-RAY CONCRETE PRIOR TO CORING. ENSURE NO REINFORCING BARS OR STRUCTURAL STEEL IS DAMAGED WITHOUT PRIOR APPROVAL FROM THE CONSULTANT.
- DIV. 26 (ELECTRICAL) CONTRACTOR TO PROVIDE AND INSTALL ALL REQUIRED MOUNTING HARDWARE & WIRING FOR ALL ELECTRICAL AND INSTRUMENTATION EQUIPMENT REGARDLESS OF WHICH DIVISION SUPPLIES THE EQUIPMENT.**
- ALL WIRING AND TERMINATIONS BY DIV. 26 UNLESS NOTED OTHERWISE.**
- ALL ELECTRICAL EQUIPMENT TO BE SUPPLIED AND INSTALLED BY DIV. 26 UNLESS NOTED OTHERWISE.**
- CONTRACTOR TO RE-TAG ALL DEVICES WITH LAMICOID LABELS TO REFLECT NEW POWER DISTRIBUTION NAMING CONVENTIONS.**

2025/01/23	2	ISSUED FOR TENDER
2024/08/23	1	ISSUED FOR ECA APPROVAL
DATE	No.	REVISION

THE DRAWINGS, ARRANGEMENTS, ANNOTATIONS AND GRAPHICAL PRESENTATIONS ON THIS DOCUMENT ARE THE PROPERTY OF EVB ENGINEERING WHO RETAINS OWNERSHIP AND AUTHORITY OF THIS DOCUMENT IN ITS ENTIRETY. THIS DOCUMENT IS AN INSTRUMENT OF SERVICE AND IS THE INTELLECTUAL AND PHYSICAL PROPERTY OF EVB ENGINEERING. AUTHORIZED USE OF THIS DRAWING IS GRANTED SOLELY FOR THE PURPOSE OF THIS SPECIFIC PROJECT AND LOCATION, AND NOT FOR CONSTRUCTION OR USE FOR ANY OTHER PROJECT.
COPYRIGHT © 2024 EVB ENGINEERING.



CONSULTANT:

 800 SECOND STREET WEST
 CORNWALL, ONTARIO CANADA, K6J 1H6
 TEL: 613-895-3775 | FAX: 613-895-6450
 WEBSITE: EVBengineering.com

SUB-CONSULTANT:



PROJECT:
NEW NAPANEE WPCP

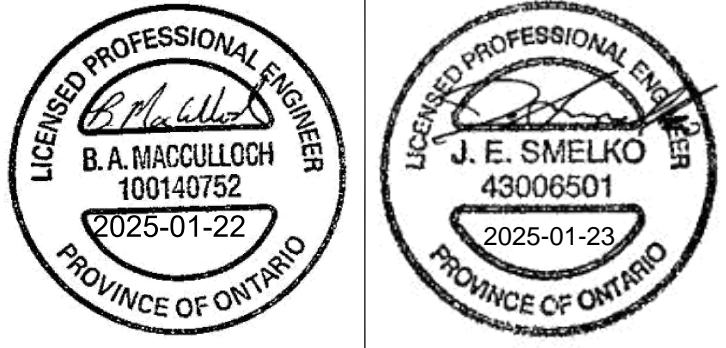
TITLE:
ELECTRICAL LEGEND AND GENERAL NOTES

SCALE: N.T.S.	JOB NO: 22001
DESIGNED BY: B.M.	DATE: 2025/01/23
DRAWN BY: B.M.	DRAWING NO.
CHECKED BY: J.S.	E0001

LIGHTING FIXTURE SCHEDULE						
SYMBOL	DESCRIPTION	LAMP	WATTAGE (NOM)	VOLTAGE	CATALOG NUMBER	NOTES
A1	1220mm (4FT) INDUSTRIAL LED STRIP FIXTURE C/W FROSTED LENS.	LED 4000K-80CRI 4,000 LUMENS (NOM)	32W	120V	COLUMBIA LIGHTING / MPS: MPS4-40LW-CW-EDU LITHONIA LIGHTING CSS: CSS L48 AL03 MVOLT 40K 80CRI OR APPROVED EQUIVALENT	SUITABLE FOR SURFACE OR SUSPENDED MOUNTING. PROVIDE JACK CHAINS AND S HOOKS FOR SUSPENDED INSTALLATIONS AS INDICATED ON LIGHTING LAYOUT. MOUNTING HEIGHT FOR SUSPENDED INSTALLATIONS AS INDICATED ON LIGHTING LAYOUTS.
A2	2440mm (8FT) INDUSTRIAL LED STRIP FIXTURE C/W FROSTED LENS.	LED 4000K-80CRI 8,000 LUMENS (NOM)	64W	120V	COLUMBIA LIGHTING / MPS: MPS8-40ML-CW-EDU LITHONIA LIGHTING CSS: CSS L96 AL04 MVOLT 40K 80CRI OR APPROVED EQUIVALENT	SUITABLE FOR SURFACE OR SUSPENDED MOUNTING. PROVIDE JACK CHAINS AND S HOOKS FOR SUSPENDED INSTALLATIONS AS INDICATED ON LIGHTING LAYOUT. MOUNTING HEIGHT FOR SUSPENDED INSTALLATIONS AS INDICATED ON LIGHTING LAYOUTS.
B1	2400mm (8FT) LED FIBREGLASS WITH ACRYLIC LENS, SEALED GASKETTED, SUITABLE FOR WET LOCATIONS.	LED 4000K-80CRI 8,000 LUMENS (NOM)	64W	120V	COLUMBIA LIGHTING / LXEM: LXEM8-40LW-RFA-EDU-XEHC LITHONIA LIGHTING CSVT: CSVT L96 8000LM MVOLT 40K 80CRI WLFEND2 OR APPROVED EQUIVALENT	SUSPEND BY JACK CHAINS AND S HOOKS PROVIDED BY LIGHTING SUPPLIER. MOUNTING HEIGHT AT 3000mm (10'-0") AFF UNLESS OTHERWISE INDICATED ON LIGHTING LAYOUT.
D1	305 x 1220mm (1'x4') LED FIXTURE, RECESSED IN T-BAR.	LED 4000K-80CRI 4,000 LUMENS (NOM)	32W	120V	COLUMBIA LIGHTING / LCAT14-S: LCAT14-S-40L042G-EDU LITHONIA LIGHTING CPX: CPX 1X4 4000LM 80CRI 40K SWL MIN10 MVOLT OR APPROVED EQUIVALENT	RECESSED IN T-BAR. PROVIDE SAFETY CHAINS SECURED TO ROOF STRUCTURE ABOVE.
E1	EMERGENCY LIGHTING BATTERY UNIT - INDUSTRIAL GRADE. 36W-12VDC REMOTE CAPACITY.	(2) 12V-4W MR16 LED HEADS ON UNIT		120V	LUMACELL / RG-NX SERIES: RG12NX362LD7 READY-LITE: LDX12-36H2LD7AD OR APPROVED EQUIVALENT	WALL MOUNTED AT 2100mm (8'4") AFF * REFER TO BATTERY UNIT SCHEDULE AND NUMBER OF LAMPS AS INDICATED ON DRAWINGS
F2	6" WET LOCATION POT LIGHT.	LED 4000K-80CRI 1,500 LUMENS (NOM)	15W	120V	PRESCOLITE / LFR-6RD: LFR-6RD-M-15L40K8-MD-DM1 / LFR-6RD-T-CL LITHONIA LIGHTING: LBR6 NCH AL02 SWW1 AR LSS MVD MVOLT UGZ WL OR APPROVED EQUIVALENT	LUMINAIRE MOUNTED IN SHOWERS.
G1	EXTERIOR WALL MOUNTED LED FIXTURE. FULL CUT-OFF. DARK SKY COMPLIANT. MEDIUM GRAY FINISH	LED 4000K 5,000 LUMENS (NOM), TYPE 4 DISTRIBUTION	40W	120V	VIPER AREA/SITE: VP-1-160L-35-4K8-4W-UNV-A-CC LITHONIA LIGHTING: DSXW1 LED 20C 700 40K T4M MVOLT BBW DBLBDX OR APPROVED EQUIVALENT	WIRE TO H.O.A. IN ELECTRICAL ROOM. WALL MOUNTED AT 4000mm AFF UNLESS OTHERWISE NOTED. REFER TO ARCHITECTURAL ELEVATION DRAWING FOR DETAILS.
K1	PENDANT MOUNTED LED LUMINAIRE. EXPLOSION PROOF - SUITABLE FOR CLASS 1 - DIVISION 1 - GROUP D.	LED 4000K-70CRI 8,000 LUMENS (TYP)	80W	120V	HAZLUX AH1 LED SERIES: AH1-6-1K4-R3-1-TG-P-G HOLOPHANE: HEXF P1 MV 4K T4M CL OR APPROVED EQUIVALENT	MOUNTING HEIGHT AS INDICATED ON LIGHTING LAYOUT.
K3	HANDRAIL MOUNTED ELED LUMINAIRE C/W STAINLESS STEEL 3.0m PIVOT POLE AND MOUNTING HARDWARE FOR 2" DIAMETER HANDRAIL. WEATHERPROOF - EXPLOSION PROOF - SUITABLE FOR CLASS 1 - DIVISION 2 - GROUP D.	LED 4000K-70CRI 3,000 LUMENS (NOM), TYPE 3 DISTRIBUTION	30W	120V	HAZLUX: RMB-OP-A-BKT-N-CA OR APPROVED EQUIVALENT	COORDINATE MOUNTING HARDWARE WITH HANDRAIL SUPPLIER. FIXTURE TO BE MOUNTED AT 3000mm ABOVE CATWALK.
R1	REMOTE EMERGENCY LIGHT FIXTURE - GENERAL PURPOSE.	12V-4W MR16 LED	4W*	12VDC	READY-LITE: RM2-LD7BK LUMACELL / MQM SERIES: MQM2LD7 OR APPROVED EQUIVALENT	WALL MOUNTED AT 2100mm (8'4") AFF * NUMBER OF LAMPS AS INDICATED ON DRAWINGS
R2	REMOTE EMERGENCY LIGHT FIXTURE - EXPLOSION PROOF.	12V-4W MR16 LED	4W*	12VDC	LUMACELL: RS20XPLD7S2W OR APPROVED EQUIVALENT	WALL MOUNTED AT 2100mm (8'4") AFF * NUMBER OF LAMPS AS INDICATED ON DRAWINGS SUITABLE FOR INSTALLATION IN CLASS 1, DIV.1 GROUP 'D' ENVIRONMENT.
R3	REMOTE EMERGENCY LIGHT FIXTURE - SEALED & GASKETTED, SUITABLE FOR CORROSIVE ENVIRONMENTS.	12V-4W MR16 LED	4W*	12VDC	LUMACELL / MQM-NX SERIES: MQM2NXLD7 OR APPROVED EQUIVALENT	WALL MOUNTED AT 2100mm (8'4") AFF * NUMBER OF LAMPS AS INDICATED ON DRAWINGS
X1	COMBINATION EMERGENCY LIGHTING BATTERY UNIT AND EXIT SIGN - COMMERCIAL GRADE. 36W-12VDC REMOTE FIXTURE CAPACITY.	(2) 12V-4W MR16 LED EMERGENCY LIGHTING HEADS MOUNTED ON UNIT.	50W*	12VDC	LUMACELL / LAC SERIES: LAC2W12502LD7 OR APPROVED EQUIVALENT	UNIVERSAL MOUNTING. MODIFY FACE GRAPHICS TO SUIT LOCATION.
X2	COMBINATION EMERGENCY LIGHTING BATTERY UNIT AND EXIT SIGN - GREEN PICTOGRAM EXIT SIGN. EXPLOSION PROOF - SUITABLE FOR CLASS 1 - DIVISION 1 - GROUP D.	TBD	120W	120V	READY-LITE / LDX-EXP-P LED SERIES: LDX12120X11S2LD7P2 OR APPROVED EQUIVALENT	
X3	COMBINATION EMERGENCY LIGHTING BATTERY UNIT AND EXIT SIGN - GREEN PICTOGRAM EXIT SIGN. SEALED AND GASKETTED, SUITABLE FOR CORROSIVE ENVIRONMENTS. 36W-12VDC REMOTE FIXTURE CAPACITY.	12V-4W MR16 LED	4W	120V	LUMACELL / LNC SERIES: LNC1W6N36LD7 OR APPROVED EQUIVALENT	UNIVERSAL MOUNTING. MODIFY FACE GRAPHICS TO SUIT LOCATION.

DATE	No.	REVISION
2025/01/23	2	ISSUED FOR TENDER
2024/08/23	1	ISSUED FOR ECA APPROVAL

THE DRAWINGS, ARRANGEMENTS, ANNOTATIONS AND GRAPHICAL PRESENTATIONS ON THIS DOCUMENT ARE THE PROPERTY OF EVB ENGINEERING WHO RETAINS OWNERSHIP AND AUTHORITY OF THIS DOCUMENT IN ITS ENTIRETY. THIS DOCUMENT IS AN INSTRUMENT OF SERVICE AND IS THE INTELLECTUAL AND PHYSICAL PROPERTY OF EVB ENGINEERING. AUTHORIZED USE OF THIS DRAWING IS GRANTED SOLELY FOR THE PURPOSE OF THIS SPECIFIC PROJECT AND LOCATION, AND NOT FOR CONSTRUCTION OR USE FOR ANY OTHER PROJECT. COPYRIGHT © 2024 EVB ENGINEERING.



CONSULTANT:
 800 SECOND STREET WEST
 CORNWALL, ONTARIO CANADA, K6J 1H6
 TEL: 613-935-3775 | FAX: 613-935-6450
 WEBSITE: EVBengineering.com

SUB-CONSULTANT:

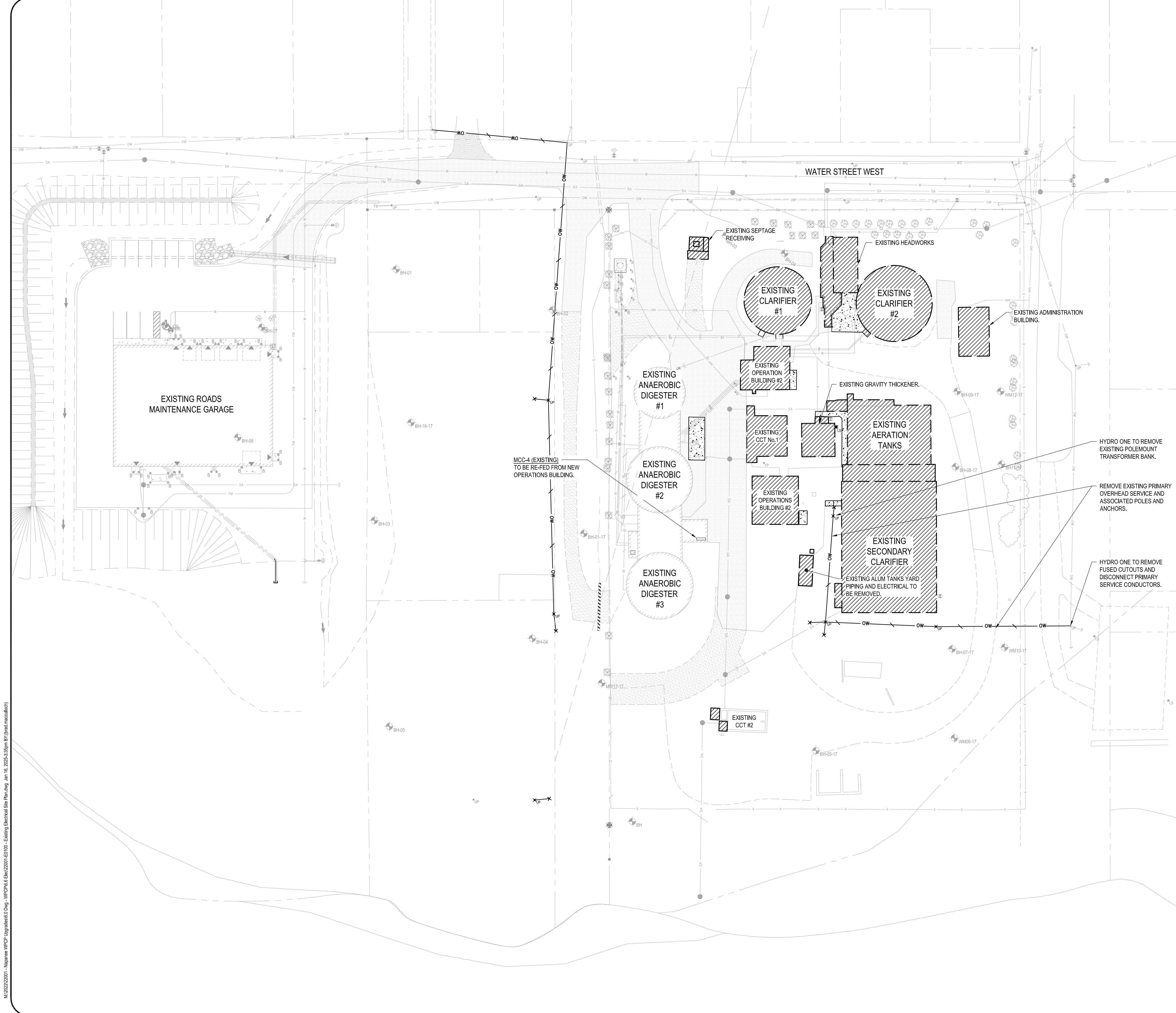

CLIENT:

 Greater Napanee
 Greater for many reasons

PROJECT:
 NEW NAPANEE WPCP

TITLE:
 LIGHTING FIXTURE SCHEDULES

SCALE: N.T.S.	JOB NO: 22001
DESIGNED BY: B.M.	DATE: 2025/01/23
DRAWN BY: B.M.	DRAWING NO.
CHECKED BY: J.S.	E0002



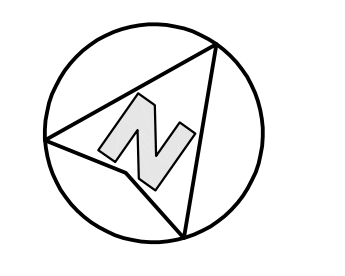
LEGEND:

	EXISTING UNDERGROUND BELL
	EXISTING OVERHEAD UTILITY TO BE REMOVED
	EXISTING OVERHEAD UTILITY
	EXISTING UNDERGROUND UTILITY TO BE REMOVED
	EXISTING UNDERGROUND UTILITY
	EXISTING GROUND WIRE
	EXISTING GROUND WIRE TO BE REMOVED
	EXISTING UTILITY POLE TO BE REMOVED
	EXISTING UTILITY POLE
	EXISTING LIGHT STANDARD TO BE REMOVED
	EXISTING LIGHT STANDARD
	EXISTING GROUND ROD
	EXISTING BUILDING / STRUCTURE TO BE REMOVED
	EXISTING BUILDING TO REMAIN

- NOTES:**
- CONTRACTOR TO VERIFY LOCATION OF ALL BURIED SERVICES PRIOR TO START OF CONSTRUCTION.
 - CONTRACTOR MUST COORDINATE ABANDONMENT OF ALL SERVICES WITH NEW CONSTRUCTION SCHEDULE IN ACCORDANCE WITH CONSTRUCTION PHASING DOCUMENT. REFER TO SPECIFICATIONS FOR DETAILS.
 - DISCONNECT, REMOVE AND DISPOSE OF ALL ELECTRICAL WIRING AND EQUIPMENT TO/FROM/WITHIN EXISTING BUILDING TO BE DEMOLISHED UNLESS OTHERWISE NOTE.

DATE	No.	REVISION
2025/01/23	2	ISSUED FOR TENDER
2024/08/23	1	ISSUED FOR ECA APPROVAL

THE DRAWINGS, ARRANGEMENTS, ANNOTATIONS AND GRAPHICAL PRESENTATIONS ON THIS DOCUMENT ARE THE PROPERTY OF EVB ENGINEERING WHO RETAINS OWNERSHIP AND AUTHORITY OF THIS DOCUMENT IN ITS ENTIRETY. THIS DOCUMENT IS AN INSTRUMENT OF SERVICE AND IS THE INTELLECTUAL AND PHYSICAL PROPERTY OF EVB ENGINEERING. AUTHORIZED USE OF THIS DRAWING IS GRANTED SOLELY FOR THE PURPOSE OF THIS SPECIFIC PROJECT AND LOCATION, AND NOT FOR CONSTRUCTION OR USE FOR ANY OTHER PROJECT.
 COPYRIGHT © 2024 EVB ENGINEERING



CONSULTANT:
 800 SECOND STREET WEST
 CORNWALL, ONTARIO CANADA, K6J 1H6
 TEL: 613-885-3775 | FAX: 613-885-6450
 WEBSITE: EVBengineering.com

SUB-CONSULTANT:

CLIENT:
 Greater Napanee
 GROWING FOR MANY REASONS

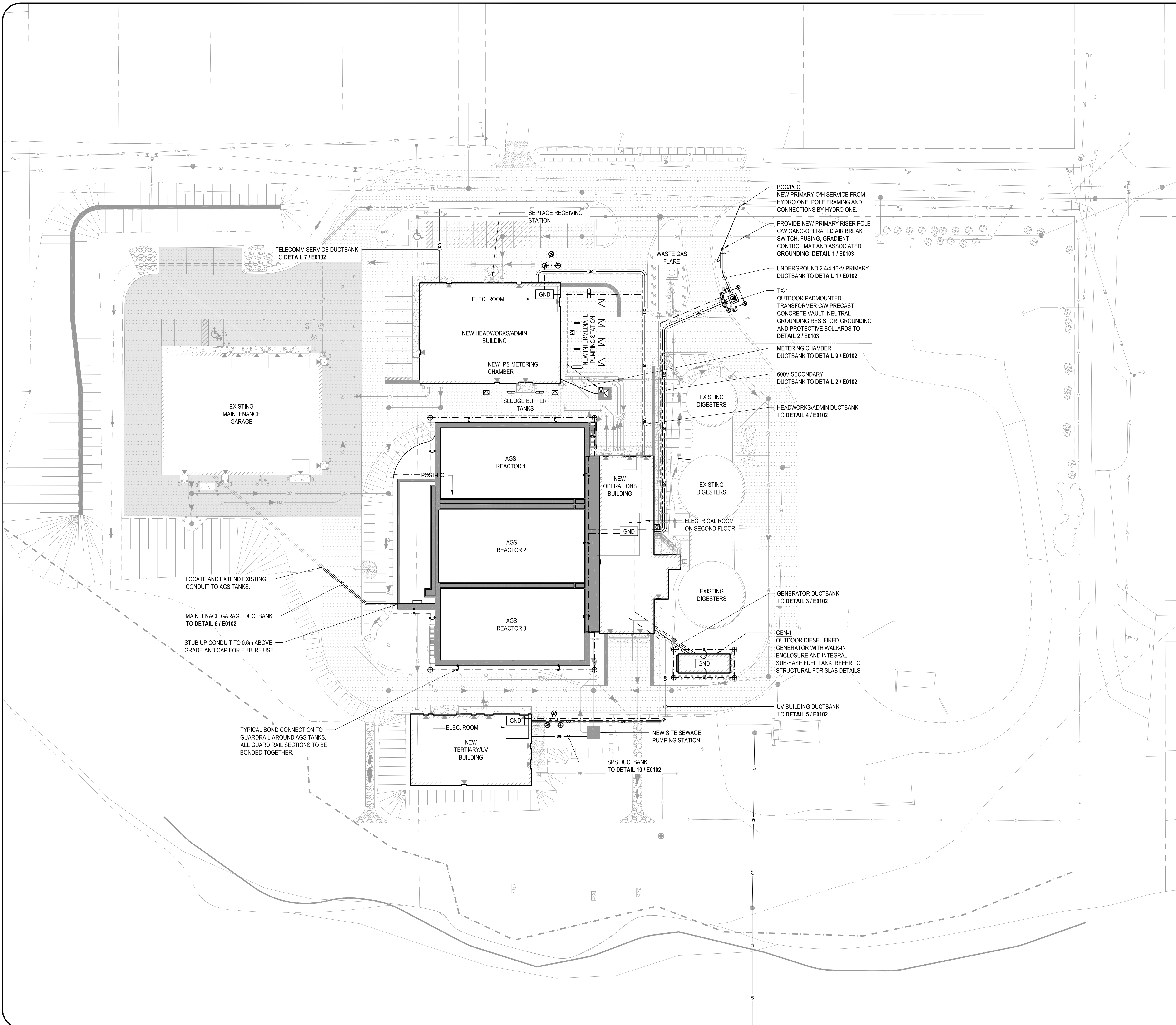
PROJECT:
 NEW NAPANEE WPCP

TITLE:
 EXISTING ELECTRICAL SITE PLAN / REMOVALS

SCALE: 1:400	JOB NO: 22001
DESIGNED BY: B.M.	DATE: 2025/01/23
DRAWN BY: B.M.	DRAWING NO.
CHECKED BY: J.S.	E0100

M:\2025\22001 - Napanee WPCP - Updates\E.D. Draw - WPCP\PLU ELEC\22001 E0100 - Existing Electrical Site Plan.dwg Jan 16, 2025 1:35pm BY: bmad.mcculloch

M:\2025\22001 - Napanee WPCP Upgrade\6.0 Drawings - WPCP\6.0 ELEC\22001 E0101 - New Electrical Site Plan.dwg Jan 16, 2025 04:49:11 (J:\nsm\mcborn)



LEGEND:

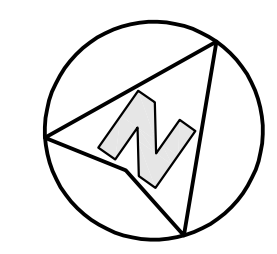
- NEW OVERHEAD WIRE
- EXISTING OVERHEAD WIRE
- REMOVE OVERHEAD WIRE
- NEW UNDERGROUND DUCTBANK
- EXISTING UNDERGROUND DUCTBANK
- REMOVE UNDERGROUND DUCTBANK
- NEW CONCRETE ENCASEMENT
- EXISTING CONCRETE ENCASEMENT
- REMOVE CONCRETE ENCASEMENT
- NEW BELL LINE
- EXISTING BELL LINE
- REMOVE BELL LINE
- NEW FIBER OPTIC LINE
- EXISTING FIBER OPTIC LINE
- NEW 2/0 AWG BARE CU GROUND WIRE
- EXISTING GROUND WIRE
- NEW UTILITY POLE
- EXISTING UTILITY POLE
- REMOVE UTILITY POLE
- NEW DOWN GUY AND ANCHOR
- EXISTING DOWN GUY AND ANCHOR
- REMOVE DOWN GUY AND ANCHOR
- NEW GROUND ELECTRODE
- EXISTING GROUND ELECTRODE
- NEW BOLLARD
- EXISTING BOLLARD
- REMOVE BOLLARD
- NEW LIGHT STANDARD
- EXISTING LIGHT STANDARD
- REMOVE LIGHT STANDARD
- UTILITY METER
- BUILDING ENTRANCE LOCATION
- #6 DWG BARE CU BOND CONNECTION
- NEW BUILDING OUTLINE
- EXISTING BUILDING OUTLINE
- FUTURE BUILDING OUTLINE

NOTES:

- CONTRACTOR TO VERIFY LOCATION OF ALL BURIED SERVICES PRIOR TO START OF CONSTRUCTION.
- INTERCONNECTED GROUNDING/BONDING CONDUCTORS ARE IN ADDITION TO BONDING CONDUCTORS THAT ARE INTEGRAL TO POWER DISTRIBUTION FEEDERS.

DATE	No.	REVISION
2025/01/23	2	ISSUED FOR TENDER
2024/08/23	1	ISSUED FOR ECA APPROVAL

THE DRAWINGS, ARRANGEMENTS, ANNOTATIONS AND GRAPHICAL PRESENTATIONS ON THIS DOCUMENT ARE THE PROPERTY OF EVB ENGINEERING WHO RETAINS OWNERSHIP AND AUTHORITY OF THIS DOCUMENT IN ITS ENTIRETY. THIS DOCUMENT IS AN INSTRUMENT OF SERVICE AND IS THE INTELLECTUAL AND PHYSICAL PROPERTY OF EVB ENGINEERING. AUTHORIZED USE OF THIS DRAWING IS GRANTED SOLELY FOR THE PURPOSE OF THIS SPECIFIC PROJECT AND LOCATION, AND NOT FOR CONSTRUCTION OR USE FOR ANY OTHER PROJECT. COPYRIGHT © 2024 EVB ENGINEERING.



CONSULTANT:

800 SECOND STREET WEST
CORNWALL, ONTARIO CANADA, K6J 1H6
TEL: 813-935-3775 | FAX: 813-935-6450
WEBSITE: evbengineering.com

SUB-CONSULTANT:

CLIENT:

Greater Napanee
GREATER FOR MANY REASONS

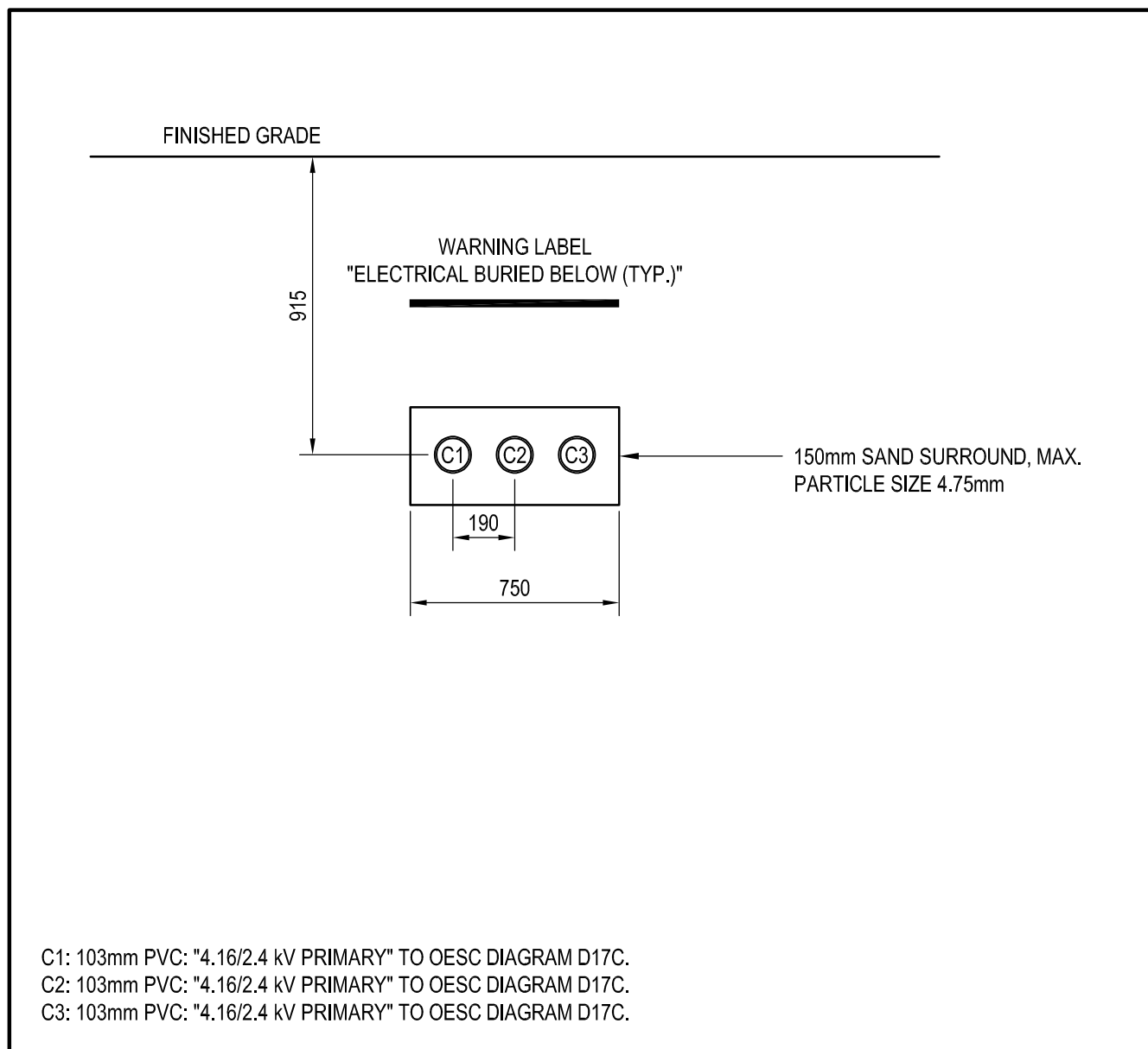
PROJECT:

NEW NAPANEE WPCP

TITLE:

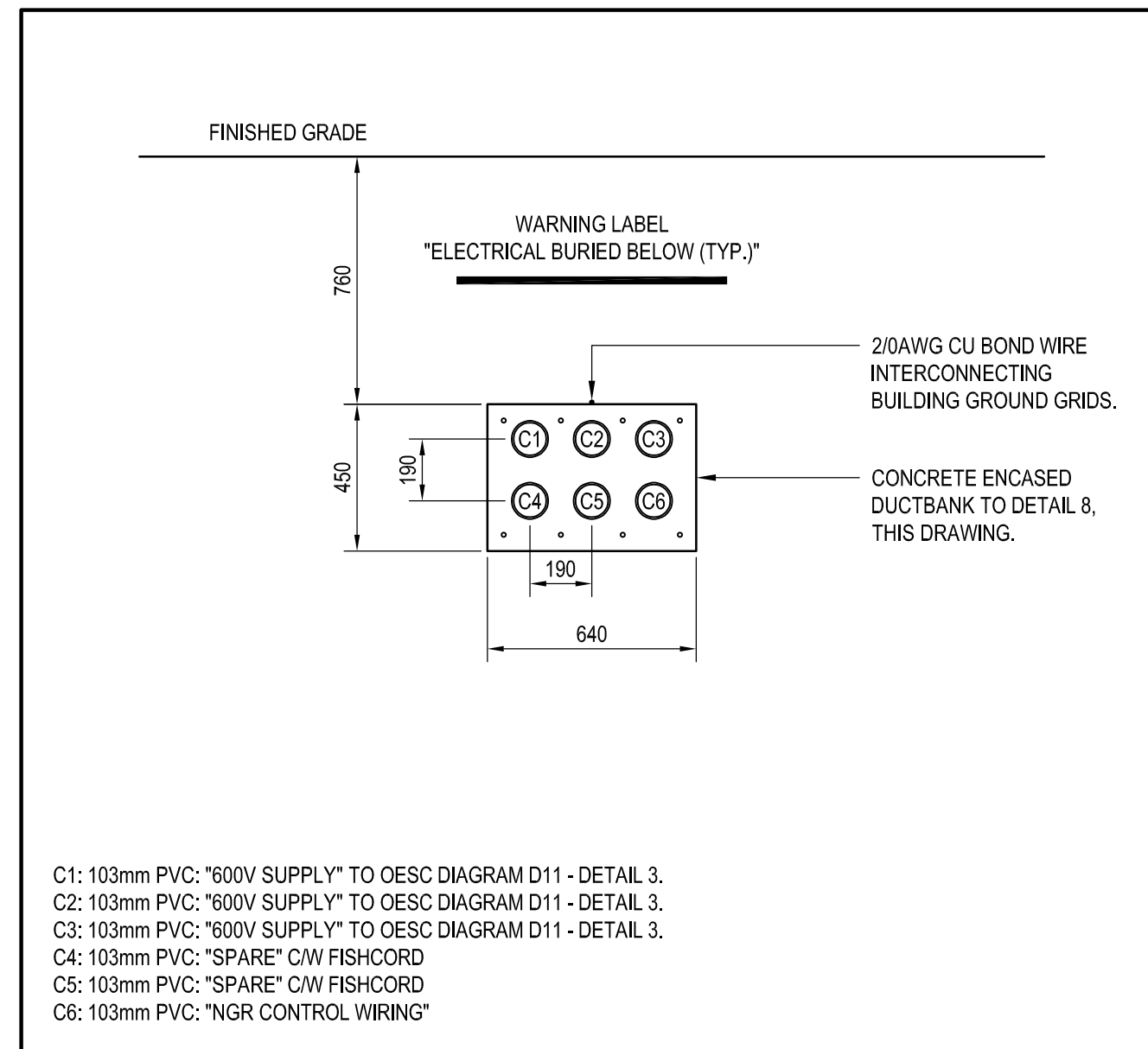
NEW ELECTRICAL SITE PLAN

SCALE: 1:500	JOB NO: 22001
DESIGNED BY: B.M.	DATE: 2025/01/23
DRAWN BY: B.M.	DRAWING NO. E0101
CHECKED BY: J.S.	



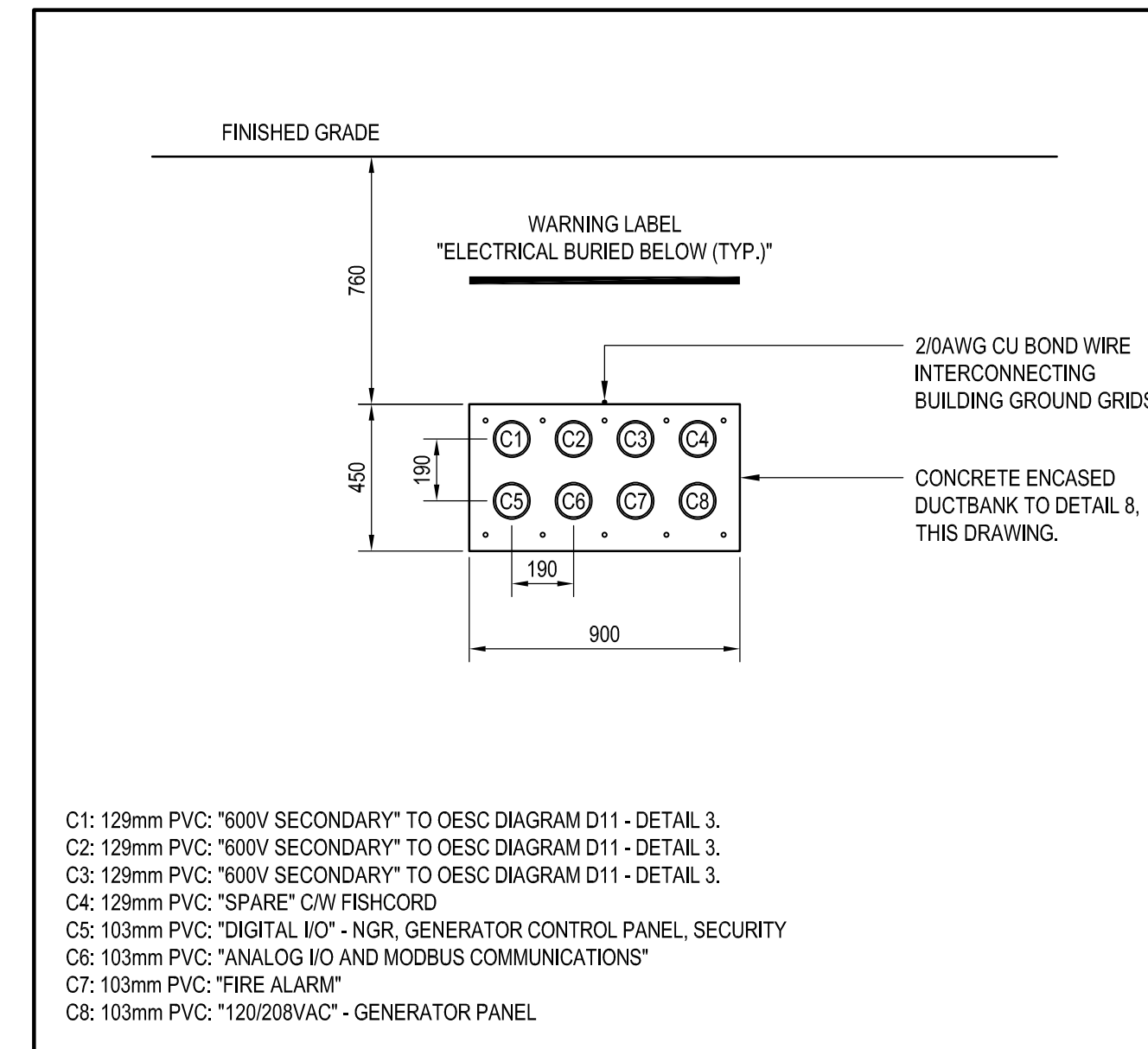
C1: 103mm PVC: "4.16/2.4 KV PRIMARY" TO OESC DIAGRAM D17C.
C2: 103mm PVC: "4.16/2.4 KV PRIMARY" TO OESC DIAGRAM D17C.
C3: 103mm PVC: "4.16/2.4 KV PRIMARY" TO OESC DIAGRAM D17C.

1 PRIMARY HV TRENCH
SCALE: 1:20



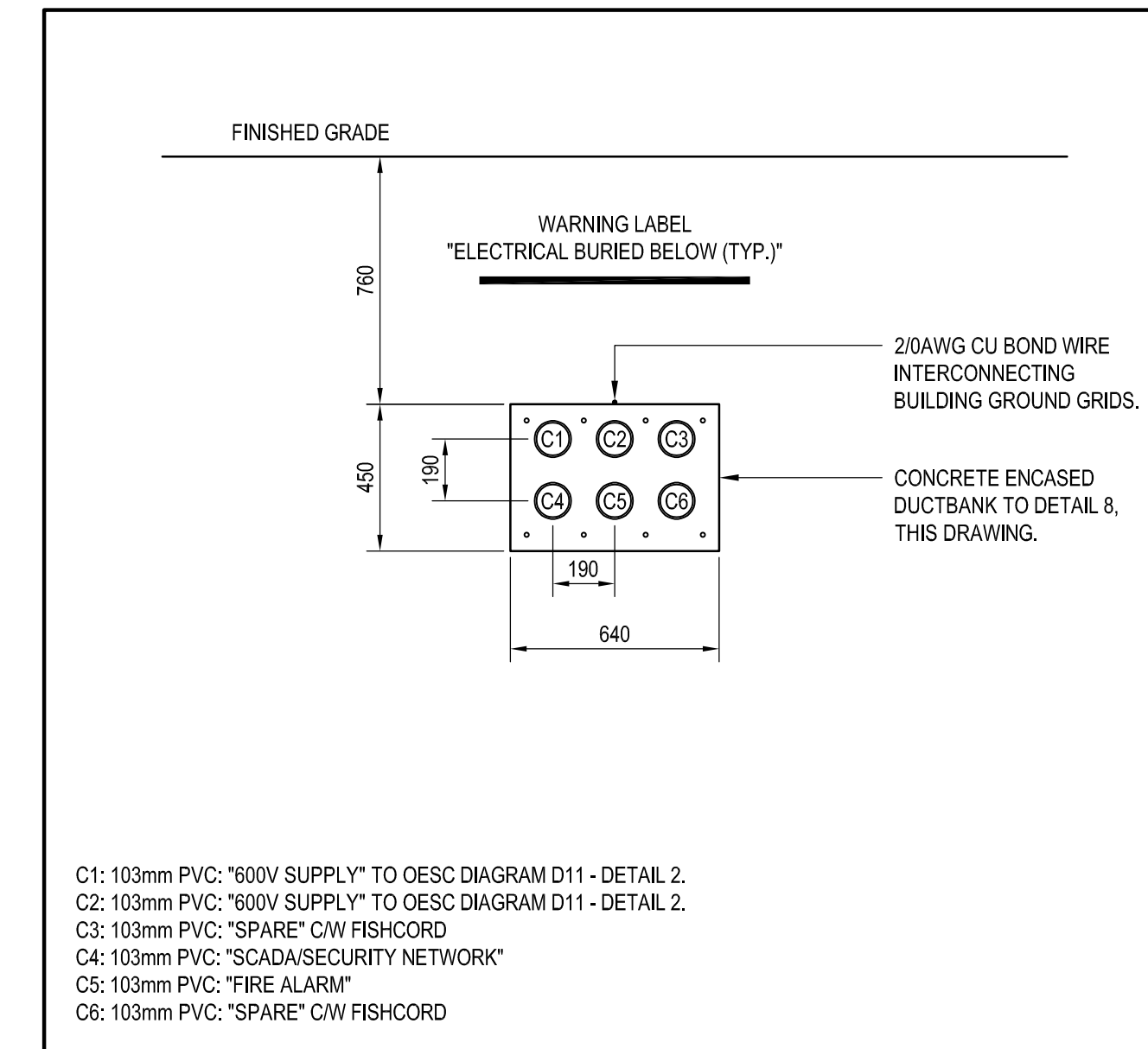
C1: 103mm PVC: "600V SUPPLY" TO OESC DIAGRAM D11 - DETAIL 3.
C2: 103mm PVC: "600V SUPPLY" TO OESC DIAGRAM D11 - DETAIL 3.
C3: 103mm PVC: "600V SUPPLY" TO OESC DIAGRAM D11 - DETAIL 3.
C4: 103mm PVC: "SPARE" C/W FISHCORD
C5: 103mm PVC: "SPARE" C/W FISHCORD
C6: 103mm PVC: "NGR CONTROL WIRING"

2 600V SECONDARY SERVICE TRENCH
SCALE: 1:1



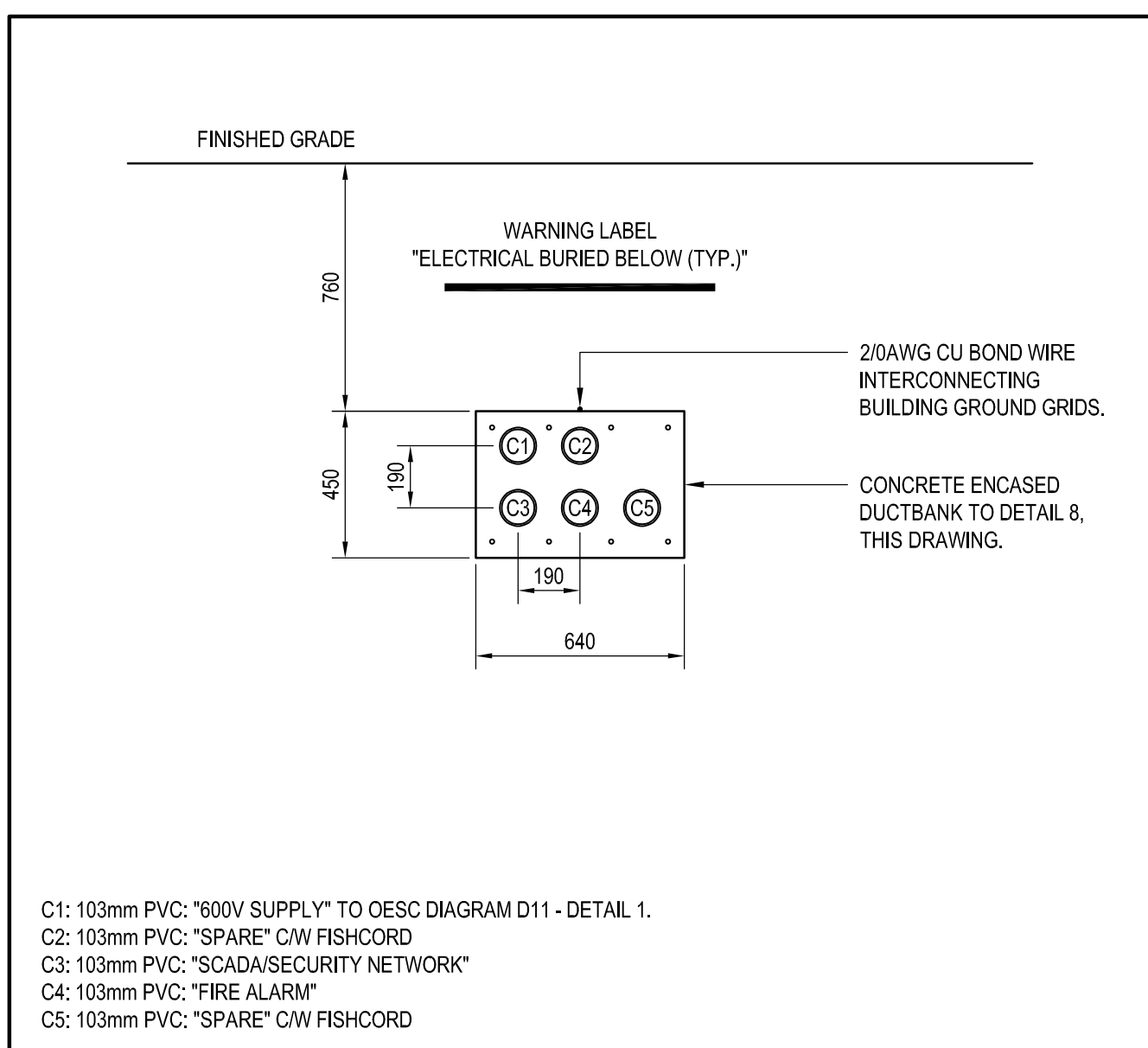
C1: 129mm PVC: "600V SECONDARY" TO OESC DIAGRAM D11 - DETAIL 3.
C2: 129mm PVC: "600V SECONDARY" TO OESC DIAGRAM D11 - DETAIL 3.
C3: 129mm PVC: "600V SECONDARY" TO OESC DIAGRAM D11 - DETAIL 3.
C4: 129mm PVC: "SPARE" C/W FISHCORD
C5: 103mm PVC: "DIGITAL I/O" - NGR, GENERATOR CONTROL PANEL, SECURITY
C6: 103mm PVC: "ANALOG I/O AND MODBUS COMMUNICATIONS"
C7: 103mm PVC: "FIRE ALARM"
C8: 103mm PVC: "120/208VAC" - GENERATOR PANEL

3 GENERATOR SUPPLY TRENCH
SCALE: 1:1



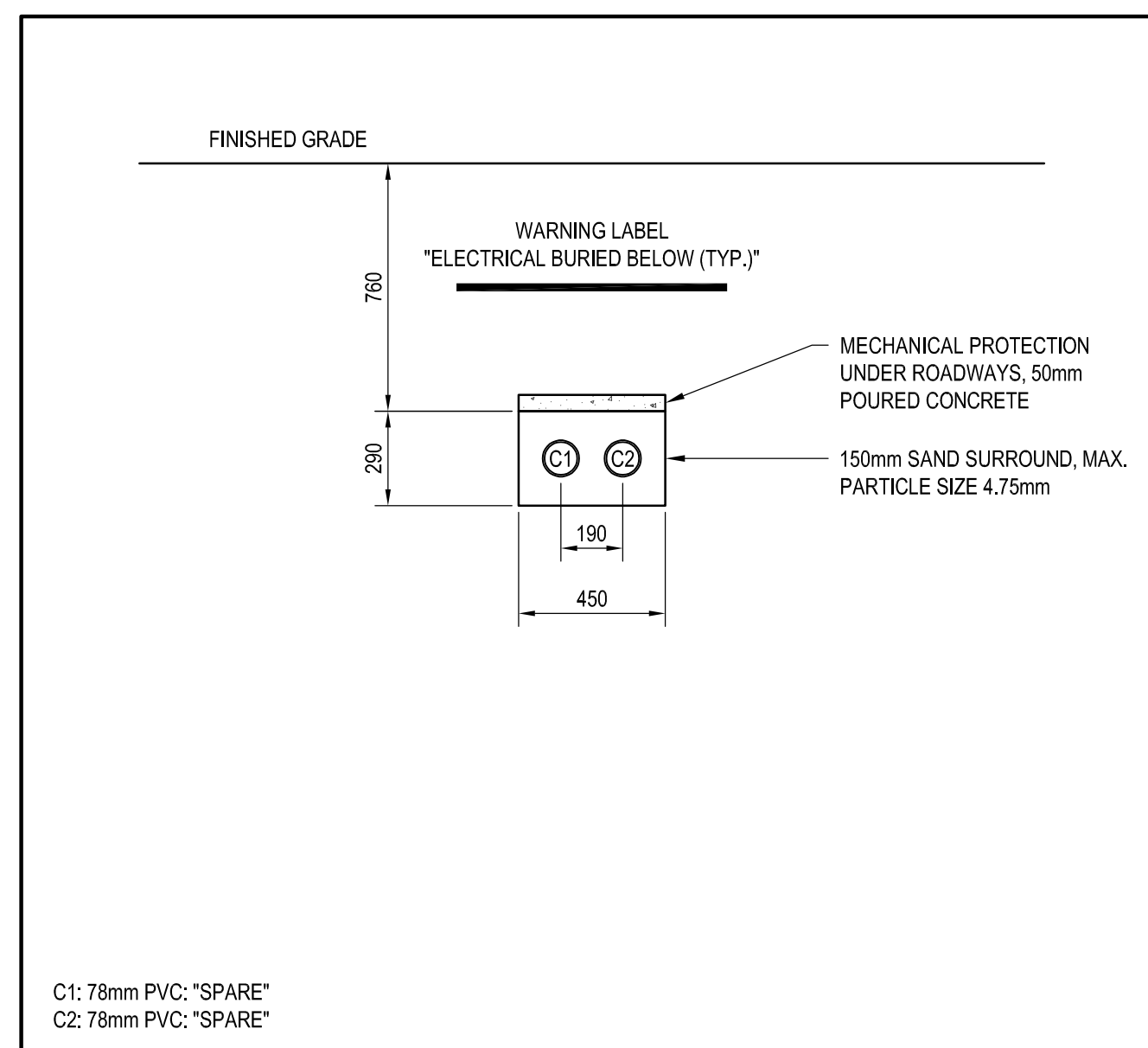
C1: 103mm PVC: "600V SUPPLY" TO OESC DIAGRAM D11 - DETAIL 2.
C2: 103mm PVC: "600V SUPPLY" TO OESC DIAGRAM D11 - DETAIL 2.
C3: 103mm PVC: "SPARE" C/W FISHCORD
C4: 103mm PVC: "SCADA/SECURITY NETWORK"
C5: 103mm PVC: "FIRE ALARM"
C6: 103mm PVC: "SPARE" C/W FISHCORD

4 HEADWORKS/ADMIN BUILDING TRENCH
SCALE: 1:1



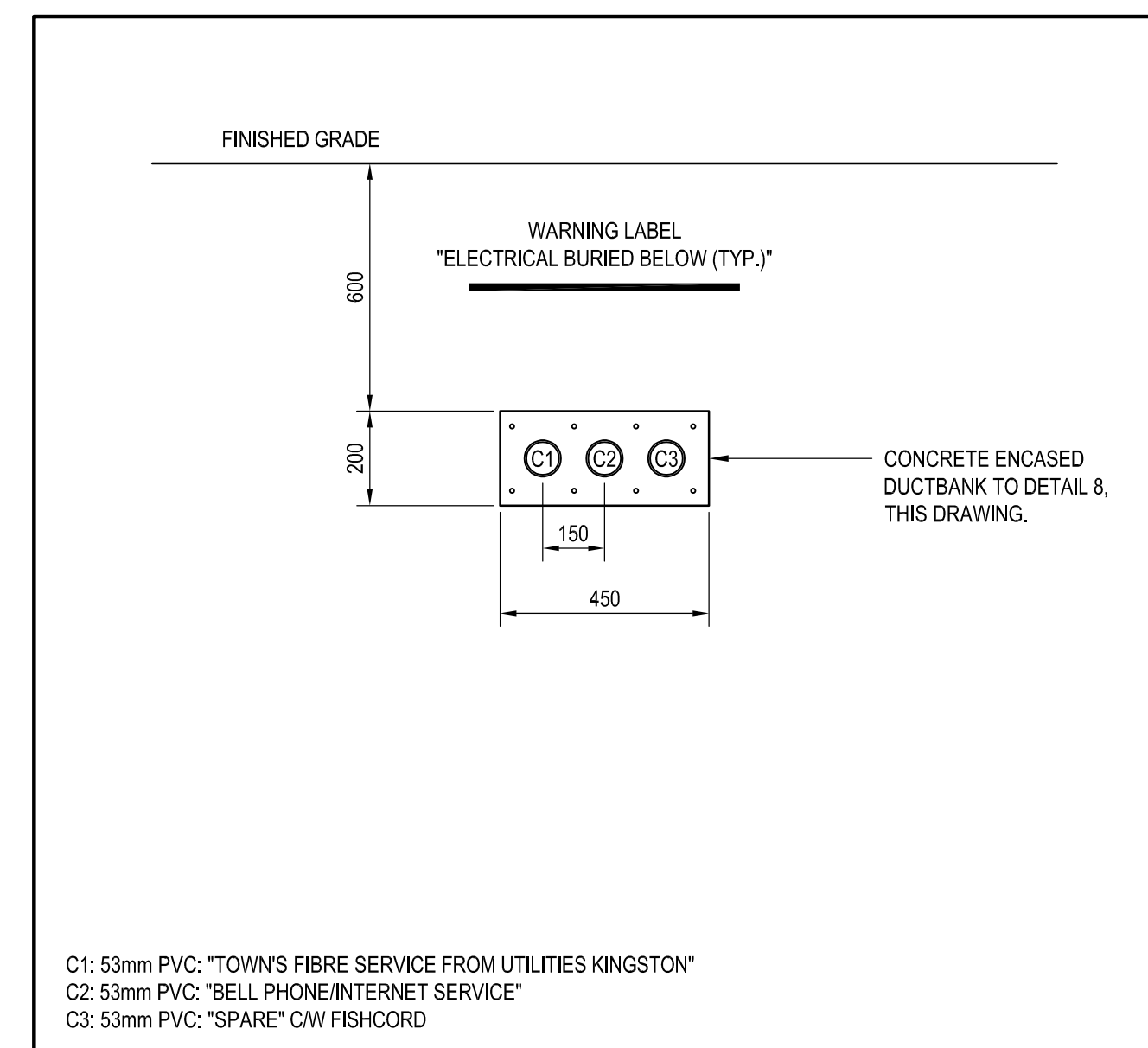
C1: 103mm PVC: "600V SUPPLY" TO OESC DIAGRAM D11 - DETAIL 1.
C2: 103mm PVC: "SPARE" C/W FISHCORD
C3: 103mm PVC: "SCADA/SECURITY NETWORK"
C4: 103mm PVC: "FIRE ALARM"
C5: 103mm PVC: "SPARE" C/W FISHCORD

5 UV BUILDING TRENCH
SCALE: 1:1



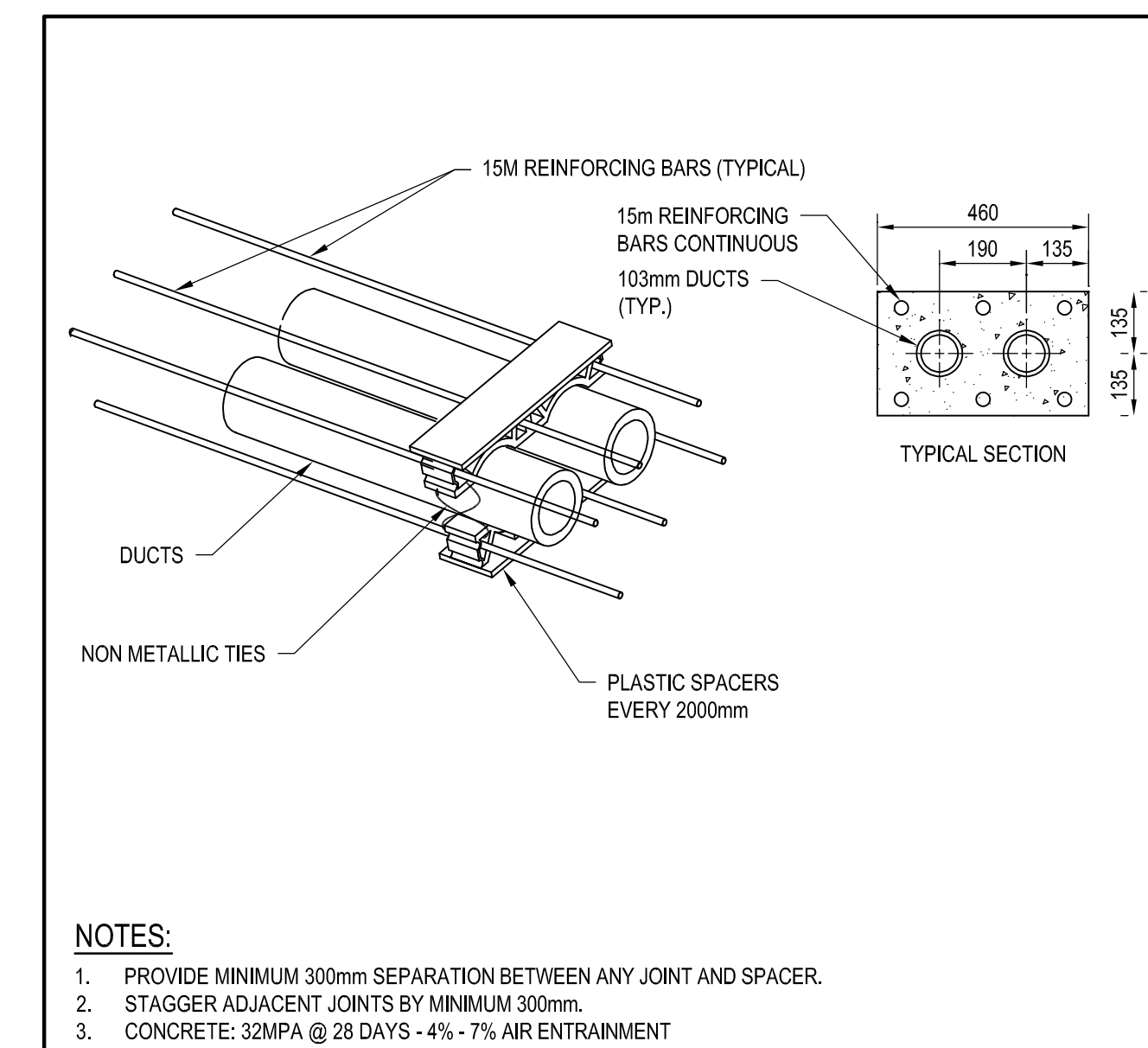
C1: 78mm PVC: "SPARE"
C2: 78mm PVC: "SPARE"

6 MAINTENANCE GARAGE TRENCH
SCALE: N.T.S.



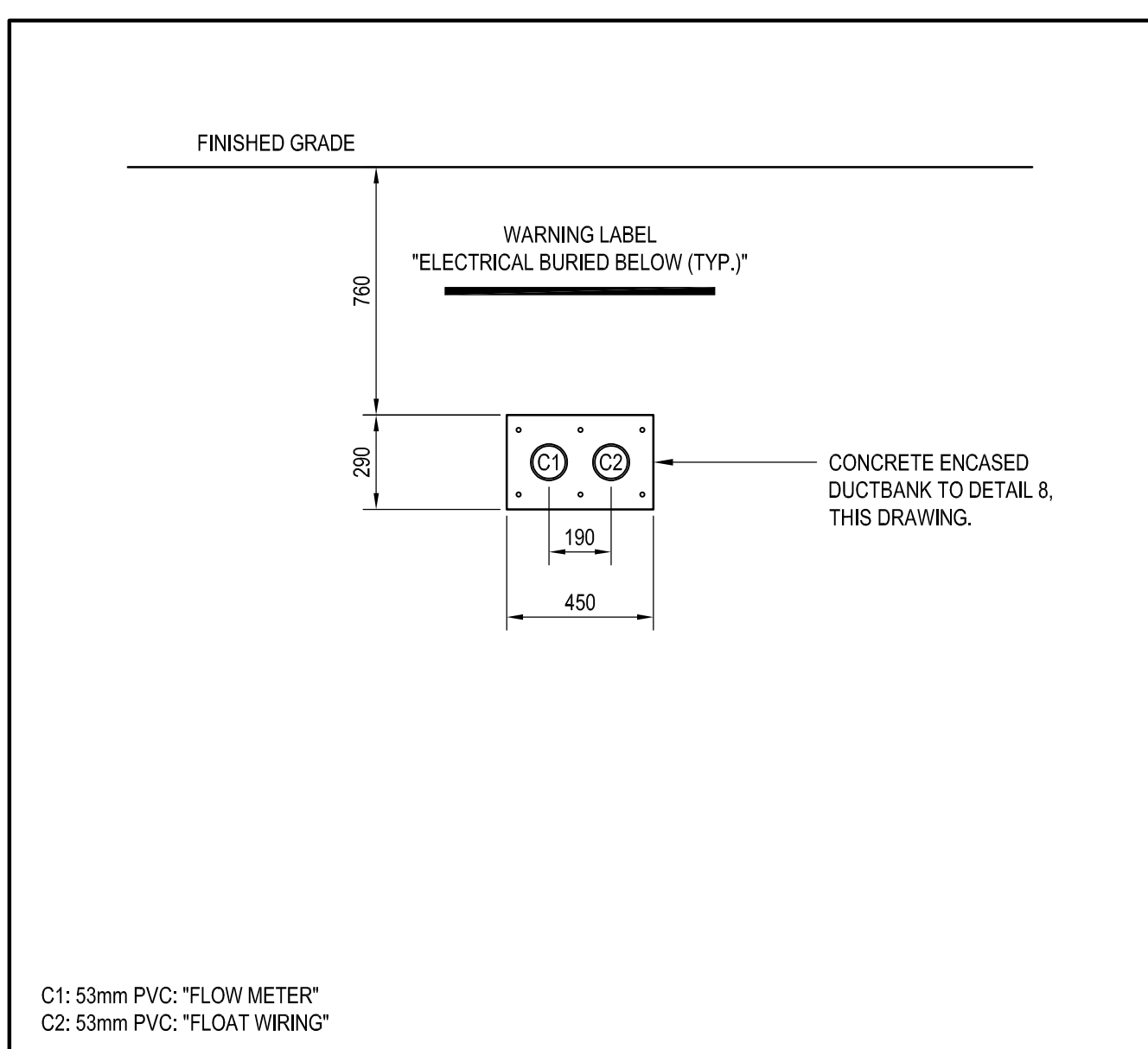
C1: 53mm PVC: "TOWNS FIBRE SERVICE FROM UTILITIES KINGSTON"
C2: 53mm PVC: "BELL PHONE/INTERNET SERVICE"
C3: 53mm PVC: "SPARE" C/W FISHCORD

7 TELECOMM SERVICE TRENCH
SCALE: 1:1



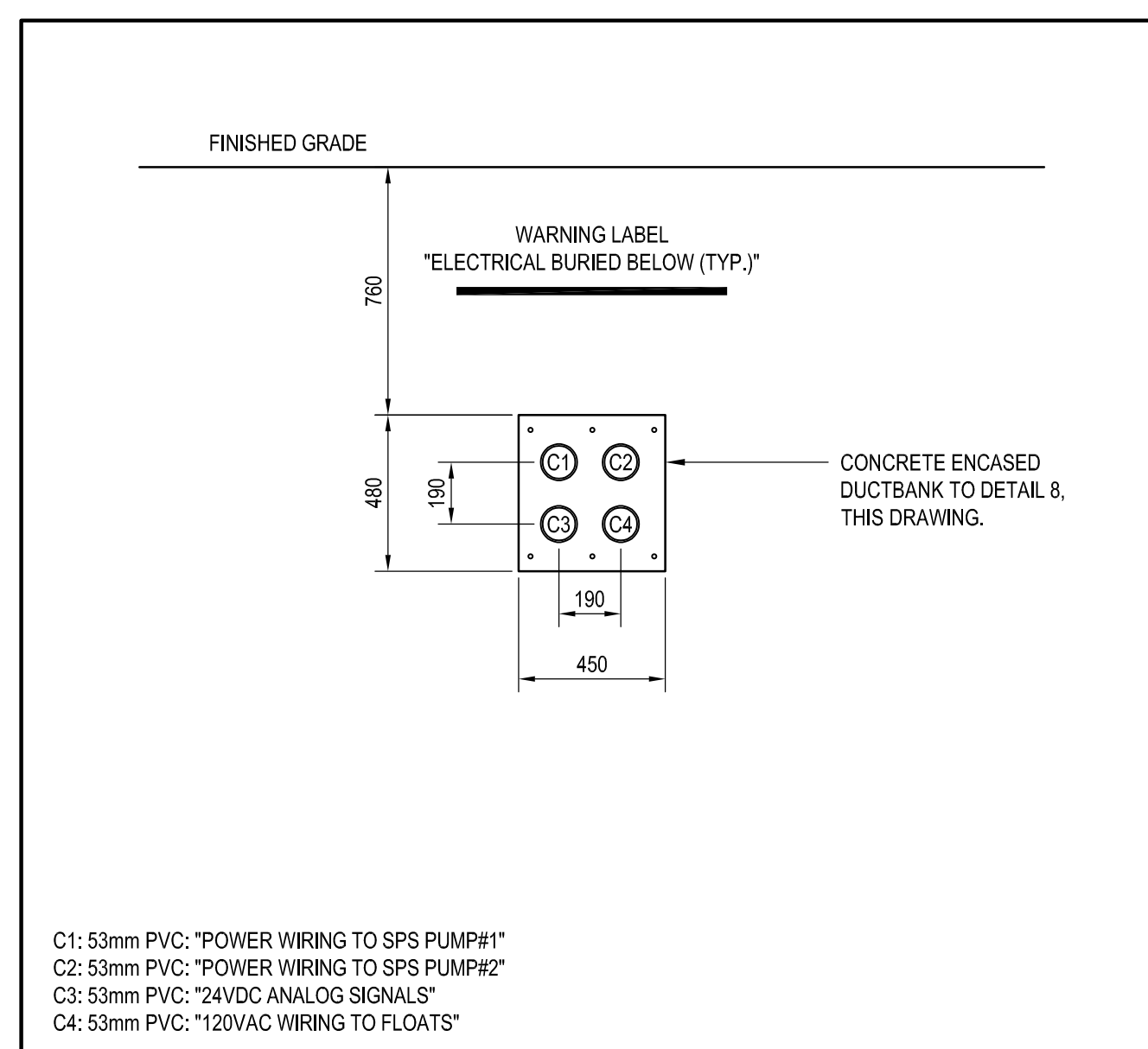
1. PROVIDE MINIMUM 300mm SEPARATION BETWEEN ANY JOINT AND SPACER.
2. STAGGER ADJACENT JOINTS BY MINIMUM 300mm.
3. CONCRETE: 32MPA @ 28 DAYS - 4% - 7% AIR ENTRAINMENT

8 TYPICAL CONCRETE ENCASED DUCTBANK DETAIL
SCALE: N.T.S.



C1: 53mm PVC: "FLOW METER"
C2: 53mm PVC: "FLOAT WIRING"

9 METERING CHAMBER TRENCH
SCALE: N.T.S.

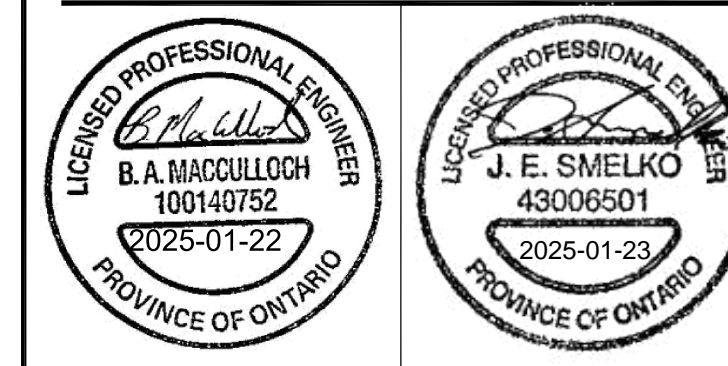


C1: 53mm PVC: "POWER WIRING TO SPS PUMP#1"
C2: 53mm PVC: "POWER WIRING TO SPS PUMP#2"
C3: 53mm PVC: "24VDC ANALOG SIGNALS"
C4: 53mm PVC: "120VAC WIRING TO FLOATS"

10 SITE SPS TRENCH
SCALE: N.T.S.

DATE	No.	REVISION
2025/01/23	2	ISSUED FOR TENDER
2024/08/23	1	ISSUED FOR ECA APPROVAL

THE DRAWINGS, ARRANGEMENTS, ANNOTATIONS AND GRAPHICAL PRESENTATIONS ON THIS DOCUMENT ARE THE PROPERTY OF EVB ENGINEERING WHO RETAINS OWNERSHIP AND AUTHORITY OF THIS DOCUMENT IN ITS ENTIRETY. THIS DOCUMENT IS AN INSTRUMENT OF SERVICE AND IS THE INTELLECTUAL AND PHYSICAL PROPERTY OF EVB ENGINEERING. AUTHORIZED USE OF THIS DRAWING IS GRANTED SOLELY FOR THE PURPOSE OF THIS SPECIFIC PROJECT AND LOCATION, AND NOT FOR CONSTRUCTION OR USE FOR ANY OTHER PROJECT.
COPYRIGHT © 2024 EVB ENGINEERING



CONSULTANT:
EVB ENGINEERING
800 SECOND STREET WEST
CORNWALL, ONTARIO CANADA, K6J 1H6
TEL: 813-935-3775 | FAX: 813-935-6450
WEBSITE: EVBengineering.com

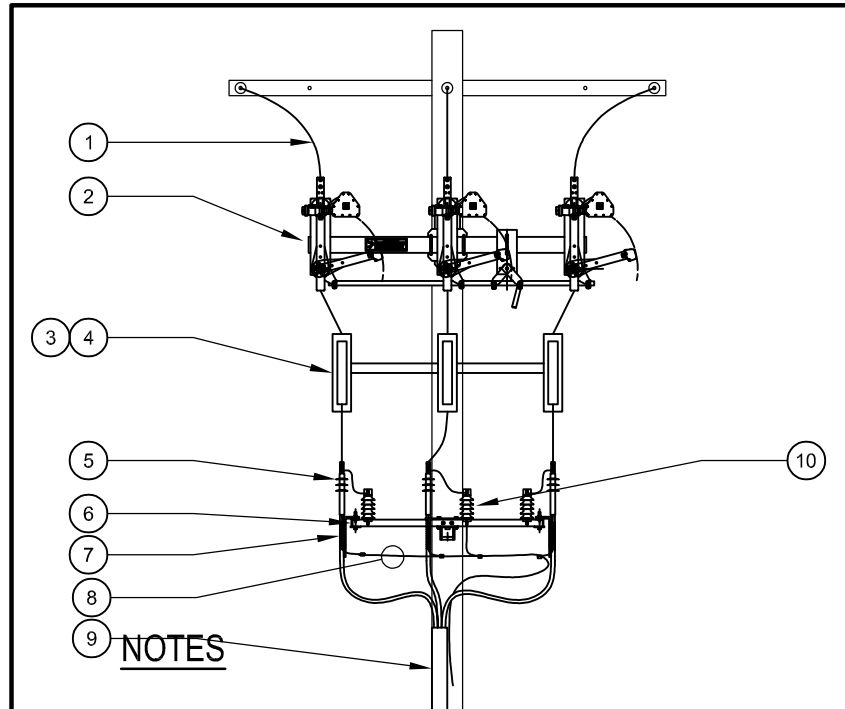
SUB-CONSULTANT:
CIMA+

CLIENT:
Greater Napanee
CREATING FOR MANY REASONS

PROJECT:
NEW NAPANEE WPCP

TITLE:
SITE PLAN DETAILS

SCALE: NTS	JOB NO: 22001
DESIGNED BY: B.M.	DATE: 2025/01/23
DRAWN BY: B.M.	DRAWING NO.
CHECKED BY: J.S.	E0102

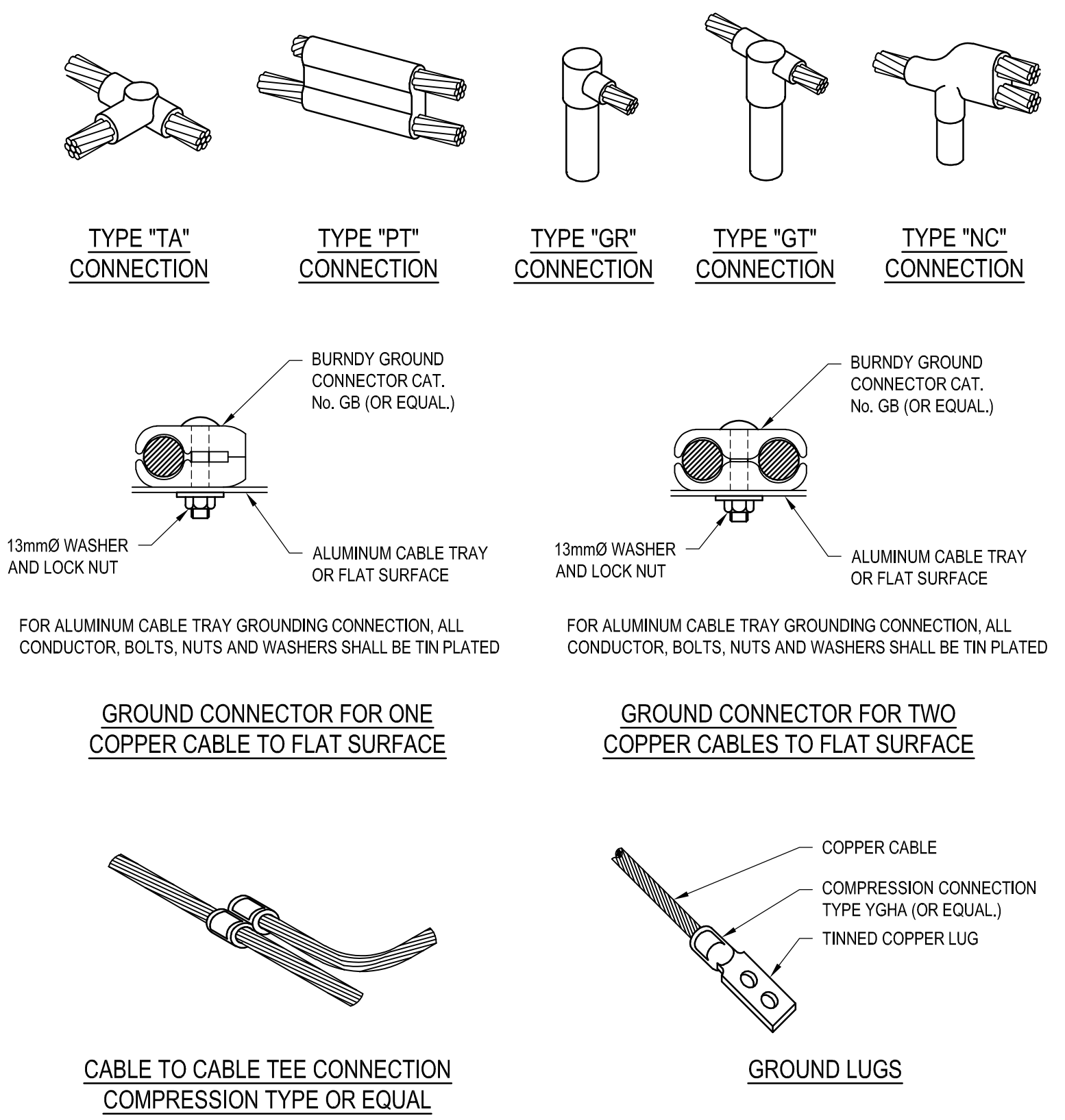


- NOTES**
- PRIMARY FRAMING TO OESC SECTION 75.
 - ALL NON-CURRENT CARRYING METAL COMPONENTS TO BE BOND TO POLE GROUND WIRE WITH MIN. #4AWG STRANDED CU.
 - MOUNTING HARDWARE TO BE ZINC COATED STEEL TO ANSI C135.1.
 - ARRESTOR LEADS TO BE AS SHORT AND DIRECT AS PRACTICABLE.
 - PROVIDE GRADIENT CONTROL MAT AND GROUNDING TO OESC BULLETIN 36-10-22.

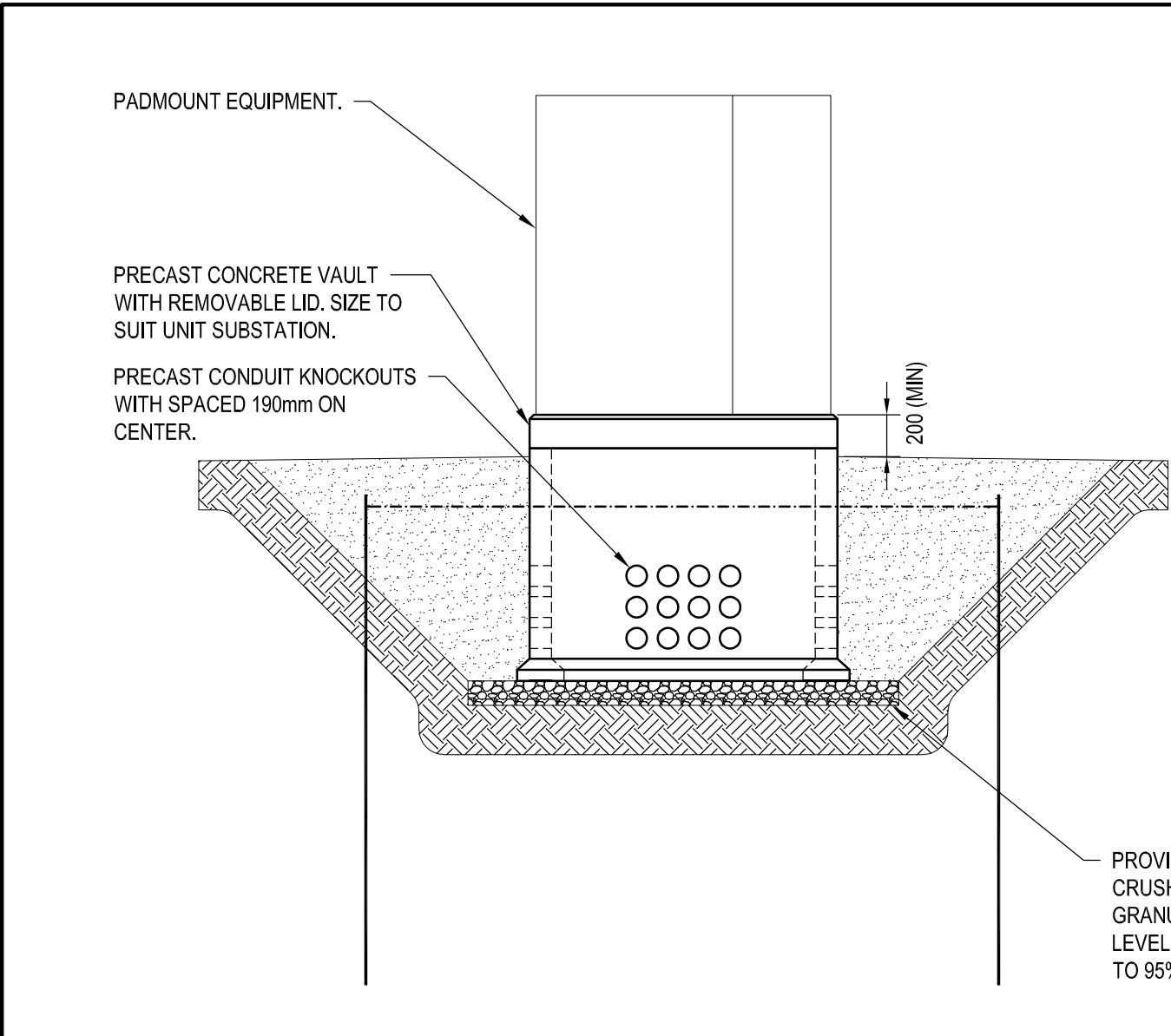
- ITEM**
- #2 CU POLY COVERED LINE WIRE "TRANSFORMER LEAD WIRE". CONNECT TO OVERHEAD PRIMARY ACSR WITH "AMPACT" WEDGE CONNECTOR.
 - VERTICAL MOUNT, GANG-OPERATED LOADBREAK DISCONNECT SWITCH WITH KEY INTERLOCK IN OPEN POSITION. ROTATING MECH WITH OPERATING PIPE DOWN THE BACKSIDE OF THE POLE. SEE SPEC FOR DETAILS.
S&C OMNI-RUPTR: 147512R4-T203 PER ED: ED-703R4-T201 OR EQUIVALENT.
 - HOO-K-STICK OPERATED PRIMARY FUSING ON 3-PHASE CLUSTER MOUNT.
S&C 192342-E CLUSTER STYLE SMD-40 MOUNT CW 150E SMU-40 FUSE UNITS (3 + 3 SPARE)
 - PRIMARY FUSE UNITS.
S&C 150E SMU-40 FUSE UNITS (3 + 3 SPARE)
 - COLD-SHRINK OUTDOOR TERMINATION KIT WITH NEMA 2-HOLE LUG FOR 20AL JACKET CONCENTRIC NEUTRAL.
3M QT-III 7640-S SERIES OR EQUIVALENT.
 - 3-PHASE CURVED EQUIPMENT MOUNT, 2-POSITION HORIZONTAL FITTINGS, 48" END TO END SPACING.
HUBBEL CHANCE: CR3CA48 OR EQUIVALENT.
 - CABLE POSITIONER.
HUBBEL CHANCE: CCS820 OR EQUIVALENT.
 - EXTEND SYSTEM NEUTRAL TO UNDERSIDE OF CABLE MOUNTING BRACKET. CONNECT CONCENTRIC NEUTRALS AND SURGE ARRESTOR GROUNDS. NEUTRAL TO BE BONDED TO POLE GROUND.
 - PVC RISER CONDUIT, EXTEND MINIMUM 150mm ABOVE SYSTEM NEUTRAL CONNECTION.
 - MOV LIGHTNING ARRESTOR, "HEAVY-DUTY" WITH WILDLIFE GUARD AND FACTORY INSTALLED LEAD WIRE. 3kV - 2.55kV MCOV
COOPER VARISTAR: UHS SERIES.

1 HV DISCONNECT FRAMING - PRIMARY RISER POLE
SCALE: NTS

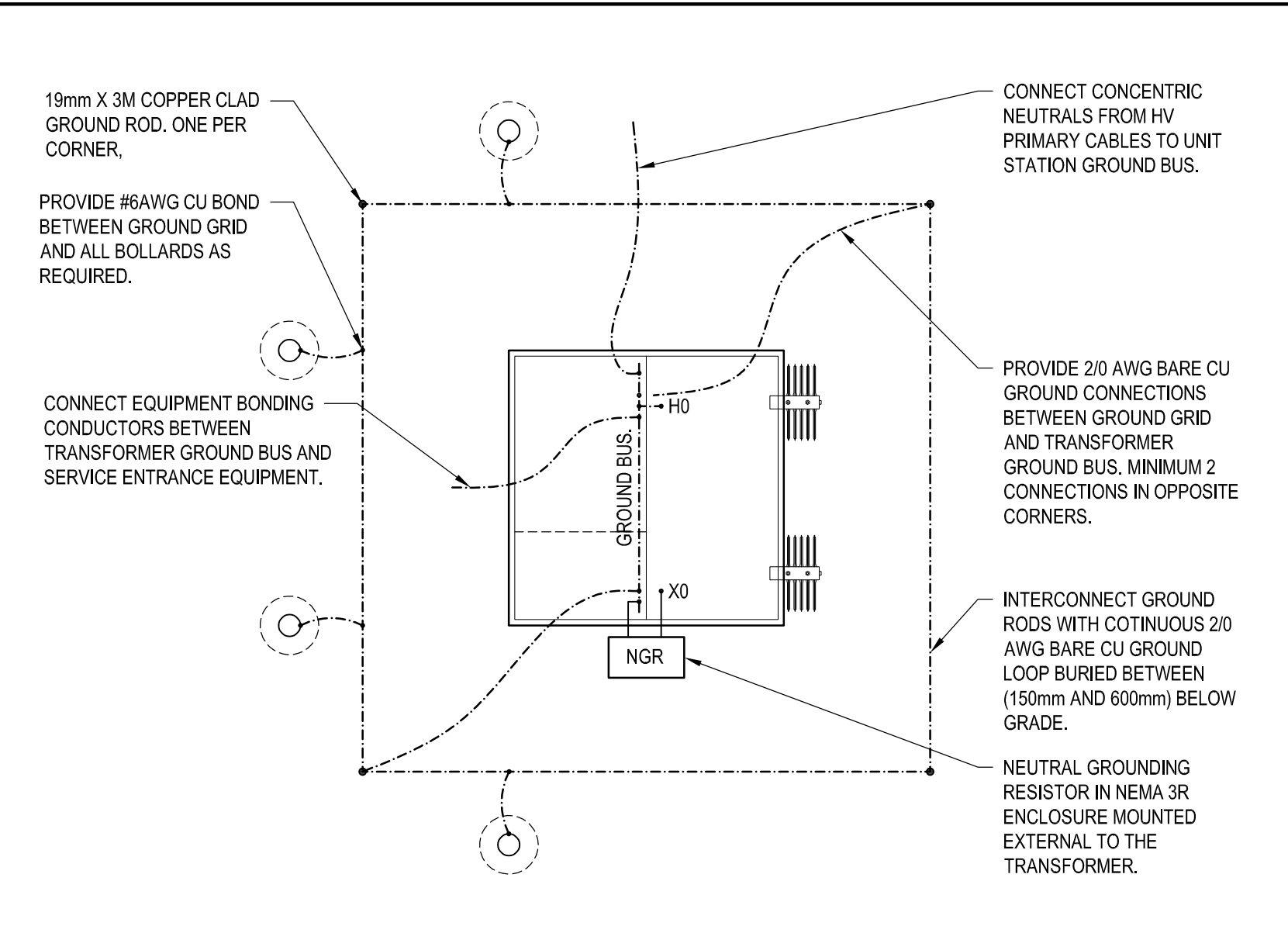
EXOTHERMIC WELDED CONNECTIONS



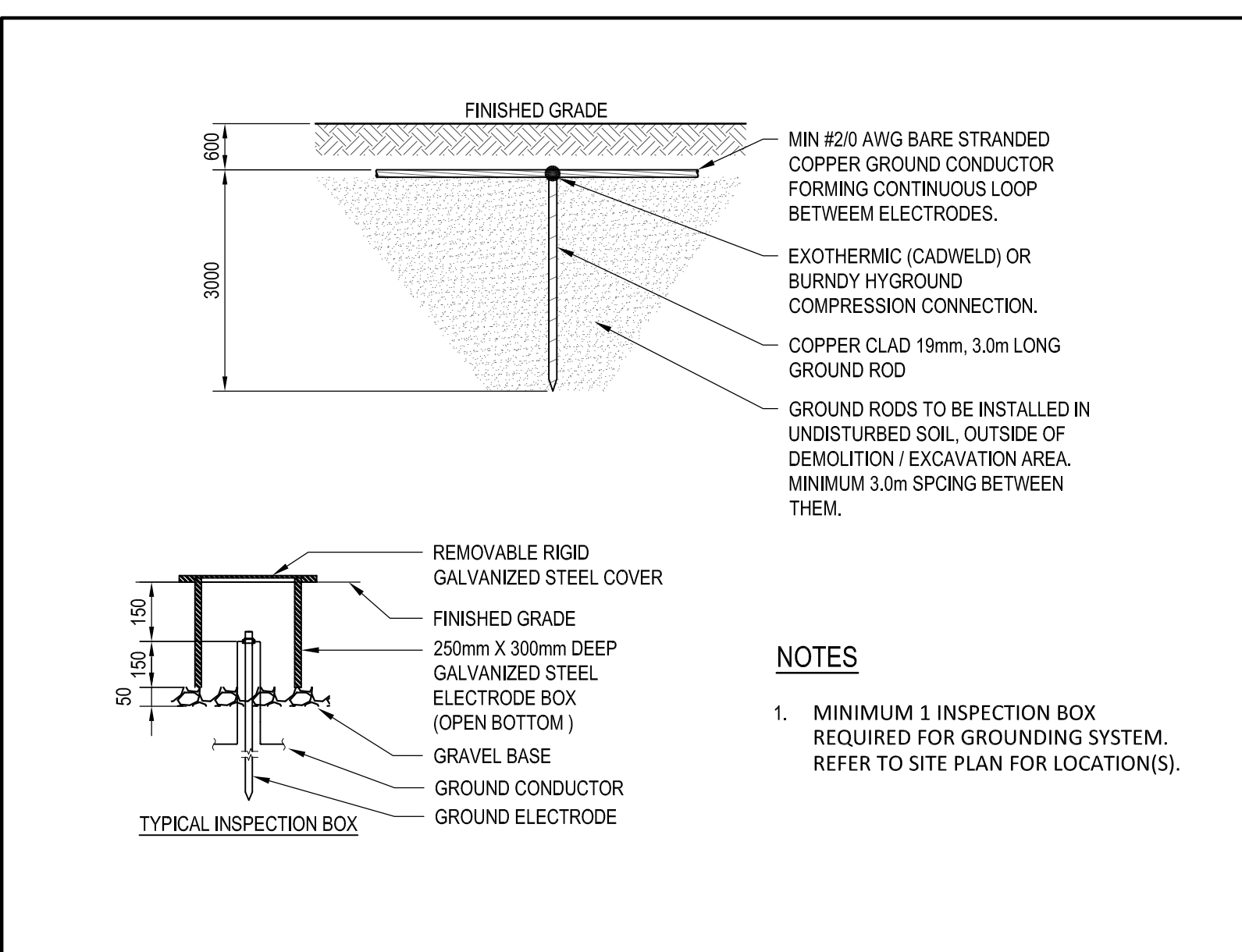
5 TYPICAL GROUNDING CONNECTIONS
SCALE: NTS



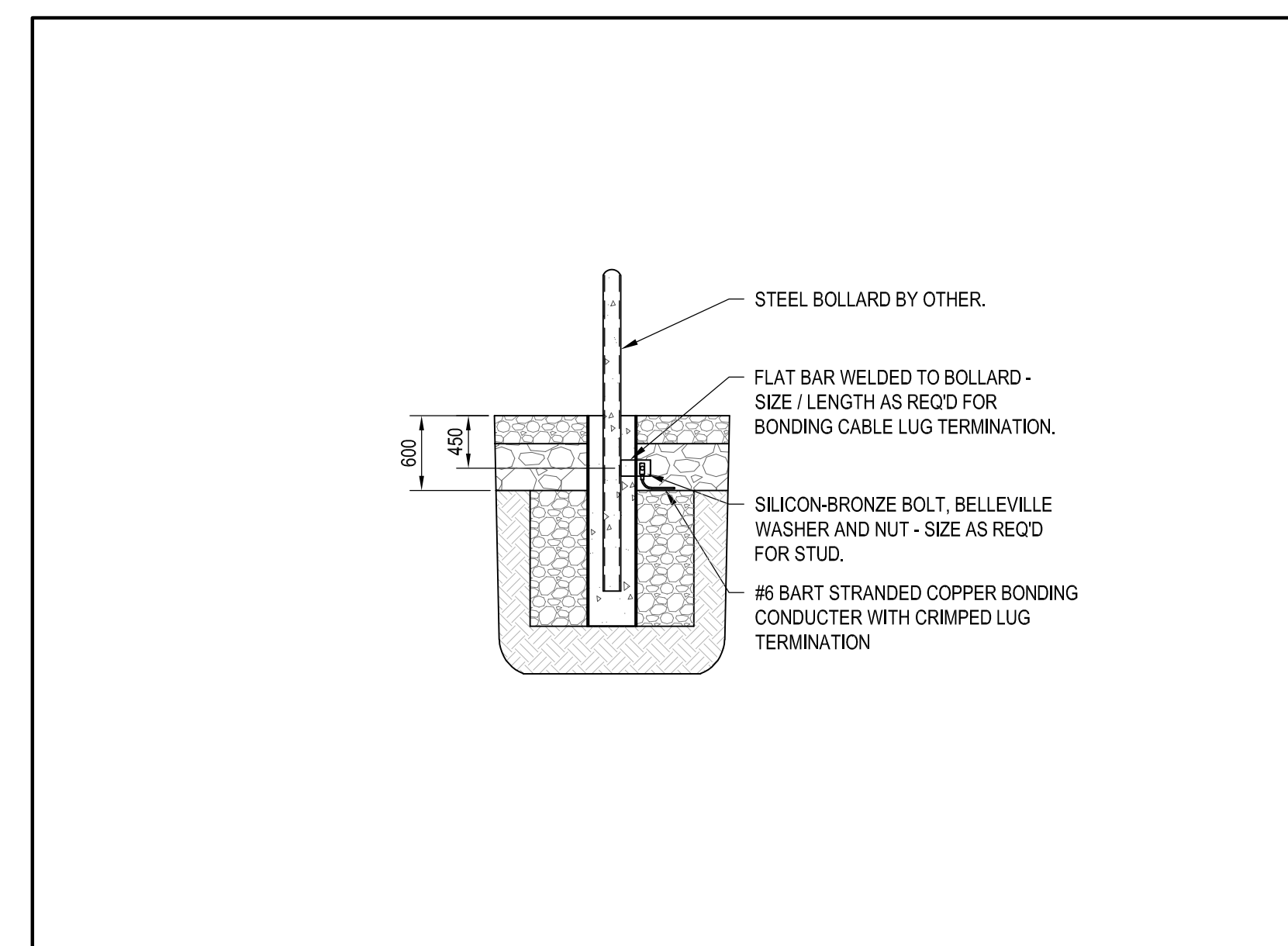
2 PADMOUNT TRANSFORMER VAULT AND GROUNDING
SCALE: NTS



4 TYPICAL BOLLARD BONDING
SCALE: NTS



3 TYPICAL GROUND ELECTRODE
SCALE: NTS



4 TYPICAL BOLLARD BONDING
SCALE: NTS

DATE	No.	REVISION
2025/01/23	2	ISSUED FOR TENDER
2024/08/23	1	ISSUED FOR ECA APPROVAL

THE DRAWINGS, ARRANGEMENTS, ANNOTATIONS AND GRAPHICAL PRESENTATIONS ON THIS DOCUMENT ARE THE PROPERTY OF EVB ENGINEERING WHO RETAINS OWNERSHIP AND AUTHORITY OF THIS DOCUMENT IN ITS ENTIRETY. THIS DOCUMENT IS AN INSTRUMENT OF SERVICE AND IS THE INTELLECTUAL AND PHYSICAL PROPERTY OF EVB ENGINEERING. AUTHORIZED USE OF THIS DRAWING IS GRANTED SOLELY FOR THE PURPOSE OF THIS SPECIFIC PROJECT AND LOCATION, AND NOT FOR CONSTRUCTION OR USE FOR ANY OTHER PROJECT.
COPYRIGHT © 2024 EVB ENGINEERING.

CONSULTANT:

EVB ENGINEERING
800 SECOND STREET WEST
CORNWALL, ONTARIO CANADA, K6J 1H6
TEL: 613-485-3775 | FAX: 613-485-6450
WEBSITE: EVBengineering.com

SUB-CONSULTANT:

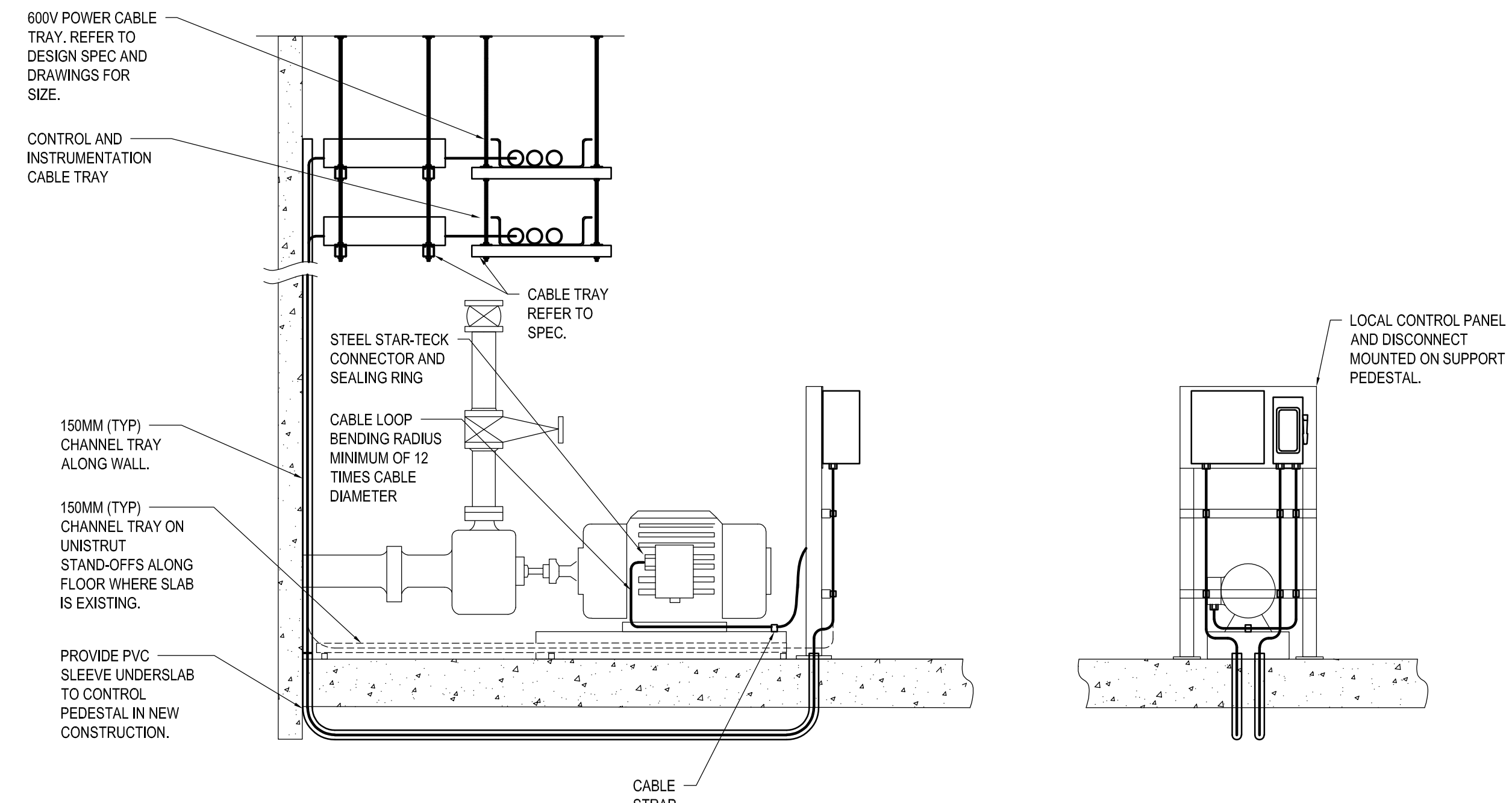
CIMA+

Greater Napanee
CREATED FOR MANY REASONS

PROJECT:
NEW NAPANEE WPCP

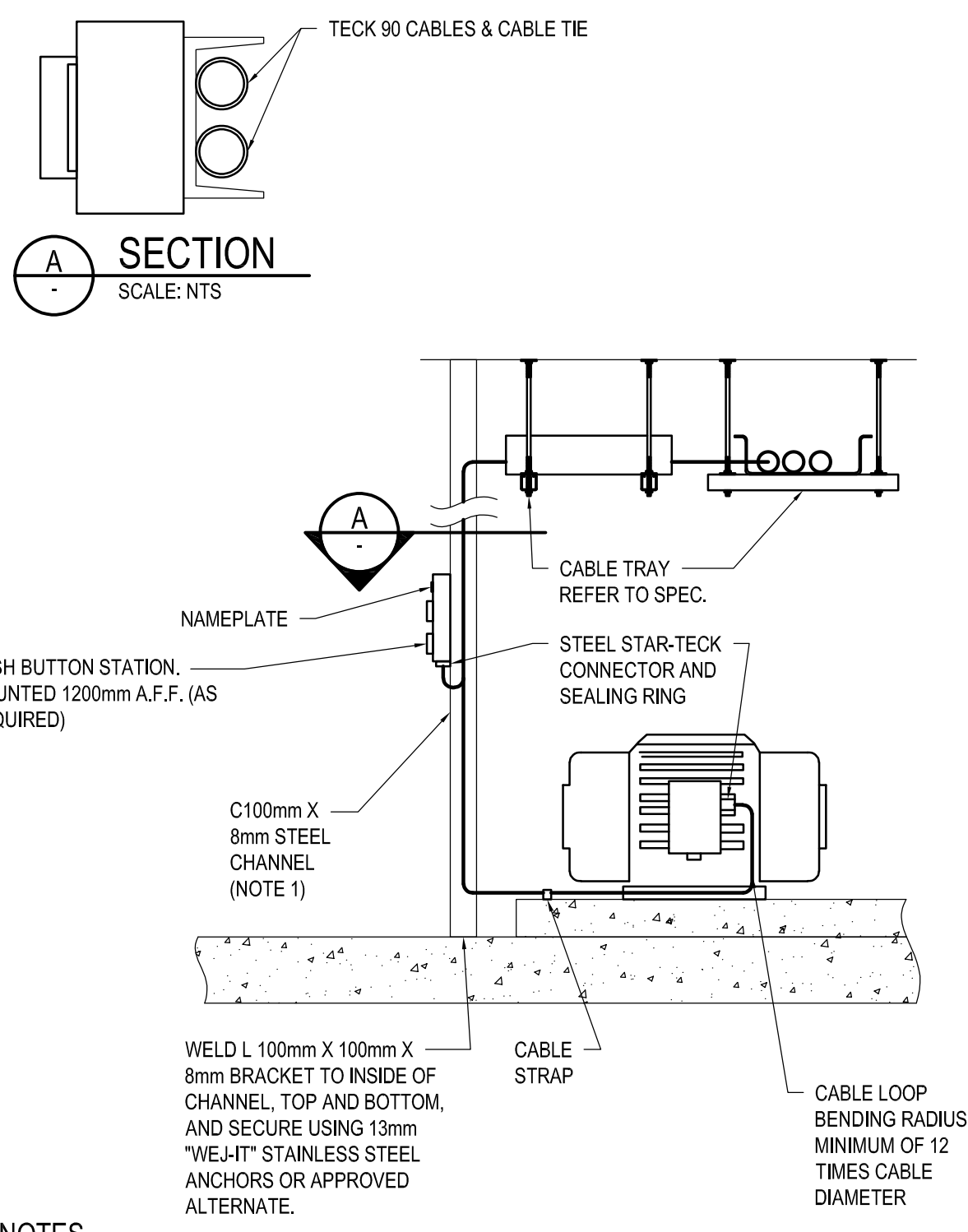
TITLE:
SITE PLAN DETAILS

SCALE: NTS	JOB NO: 22001
DESIGNED BY: B.M.	DATE: 2025/01/23
DRAWN BY: B.M.	DRAWING NO.
CHECKED BY: J.S.	E0103



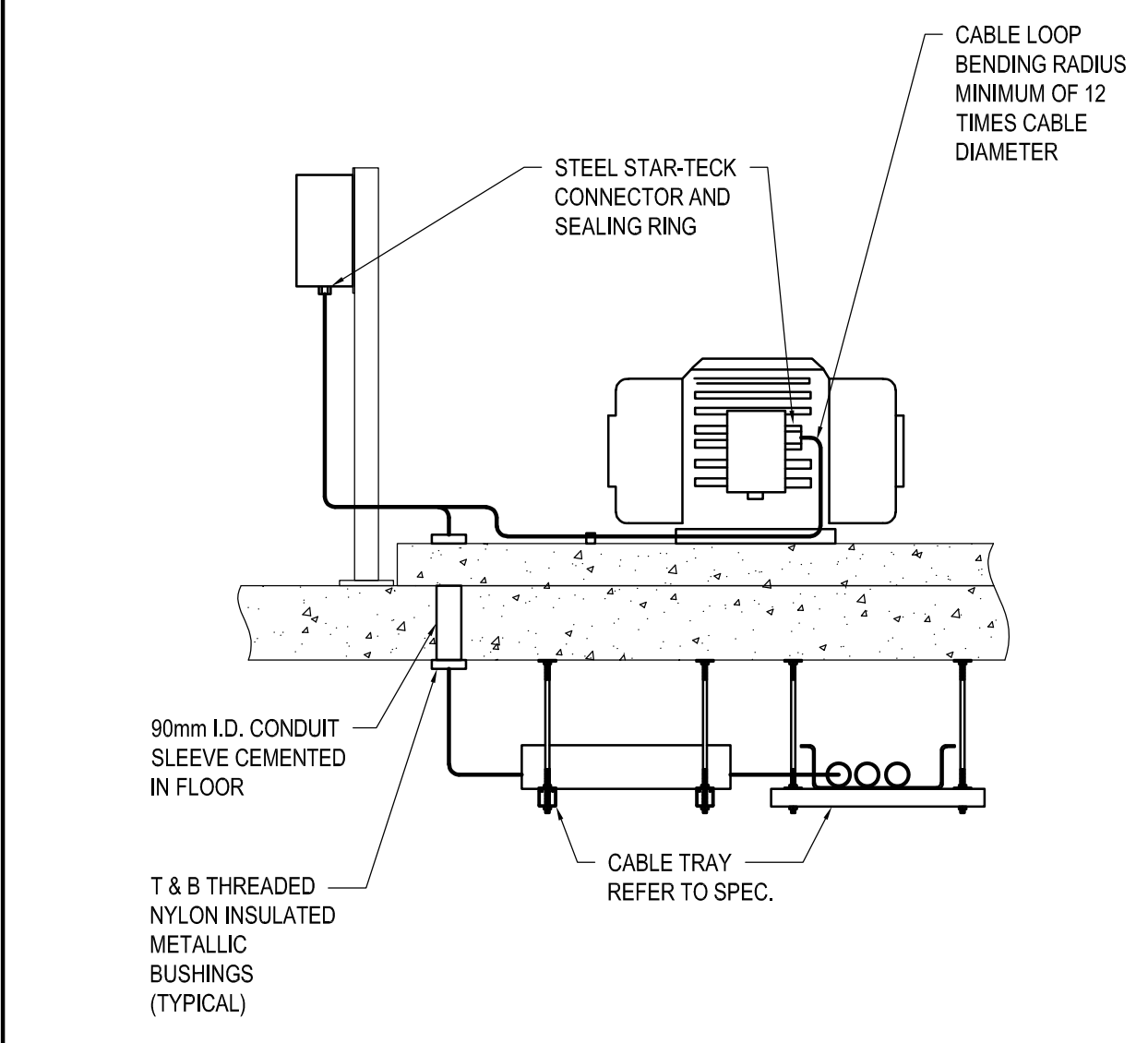
- NOTES**
- SERVICE CONDUCTOR LUGS MUST HAVE A HOLE THE SAME DIAMETER AS THAT FOR THE MOTOR CONDUCTOR LUGS.
 - THE LUGS MUST BE BOLTED TOGETHER BY USE OF S3316 OR DURIUM BOLTS AND NUTS WITH TWO FLAT WASHERS AND ONE LOCK WASHER. THE BOLT MUST BE THE MAXIMUM DIAMETER PERMITTED BY THE HOLE IN THE LUG.
 - CONNECTING BOLTS ARE NEVER TO BE CUT TO LENGTH. USE PROPER LENGTH BOLT.

1 MOTOR WIRING FROM ABOVE WITH ADJACENT WALL
SCALE: NTS

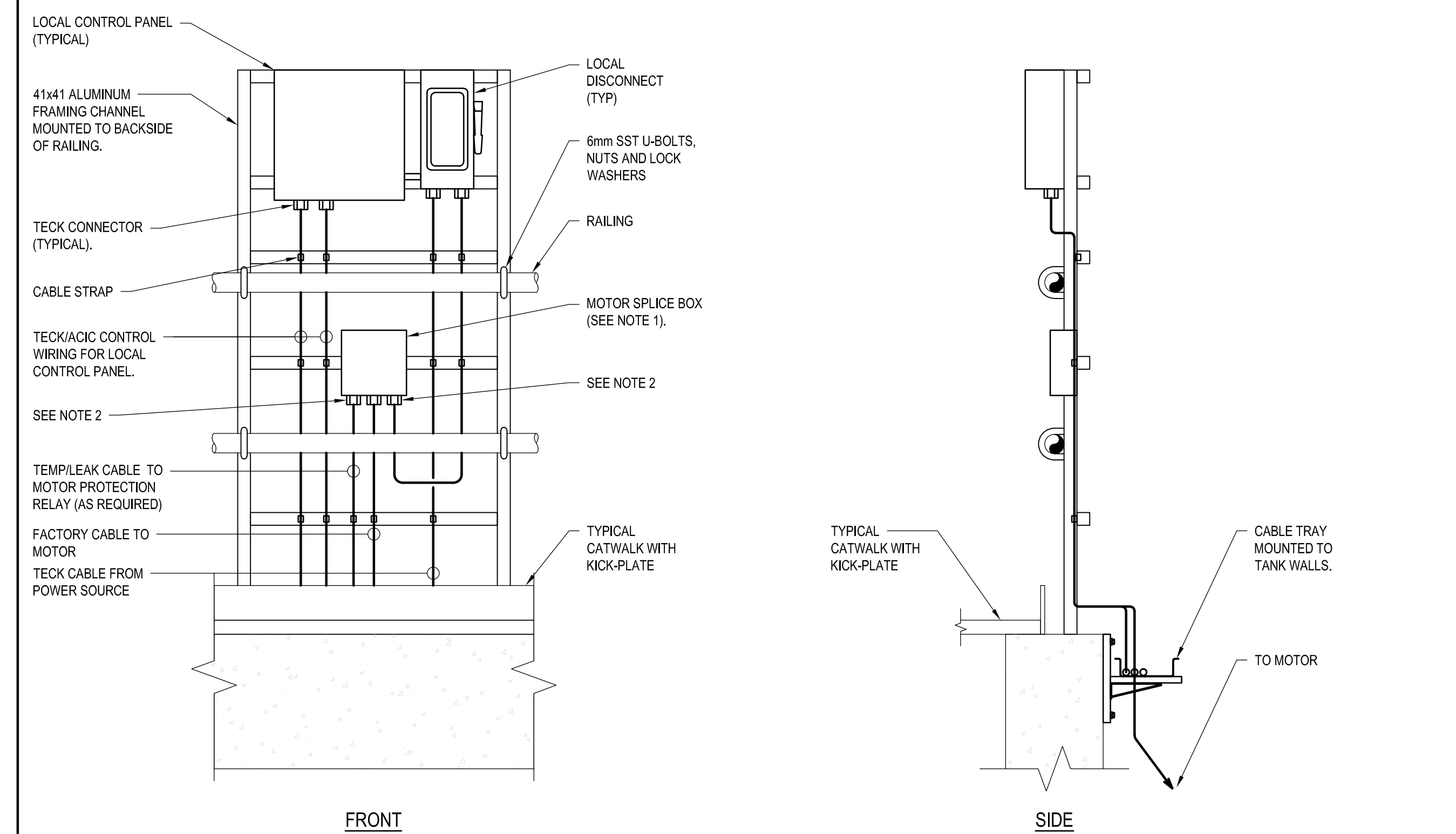


- NOTES**
- PROVIDE STAINLESS STEEL CHANNEL IN HAZARDOUS / CLASSIFIED AREAS.

2 MOTOR WIRING FROM ABOVE W/O ADJACENT WALL
SCALE: NTS

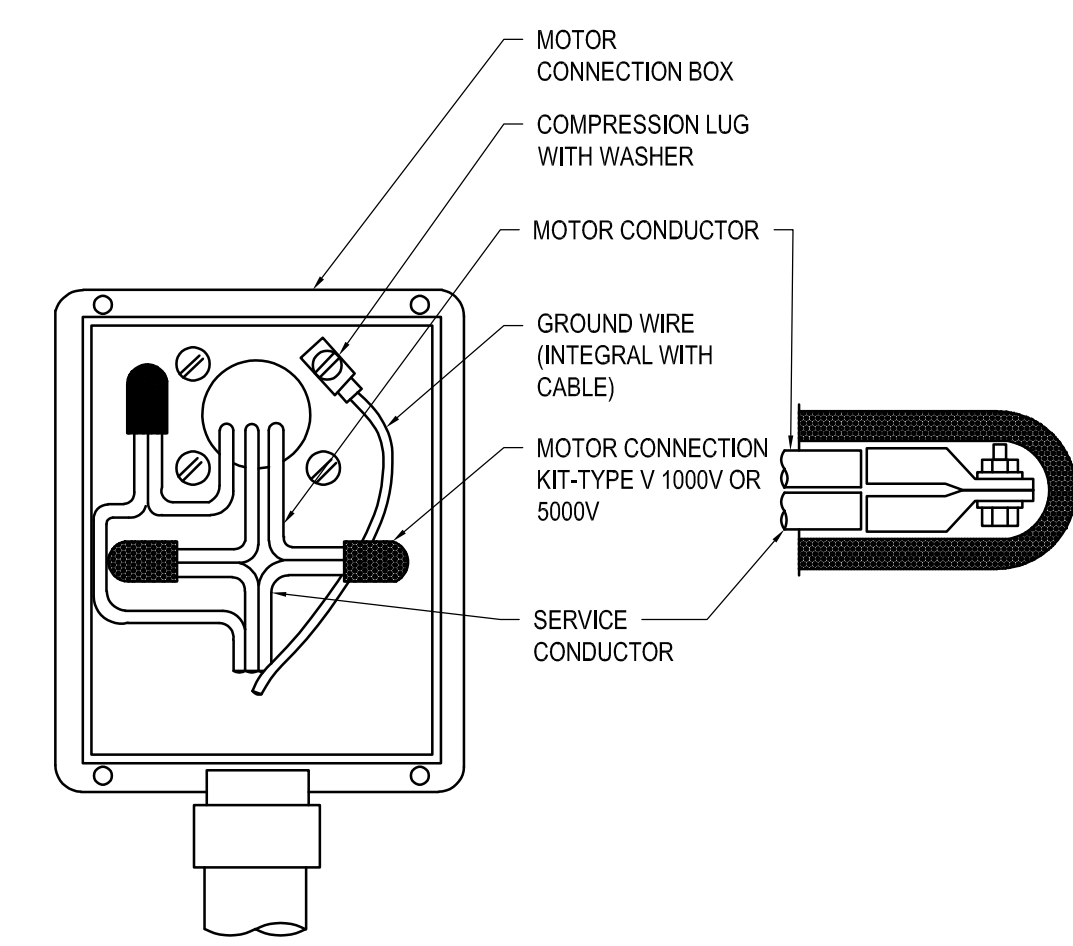


3 MOTOR WIRING FROM BELOW
SCALE: NTS



- NOTES**
- PROVIDE WEATHER-PROOF SPlice BOX FOR CONNECTION TO FACTORY INSTALLED MOTOR CABLE. LOCATE SPlice BOX OUTSIDE OF CLASSIFIED AREAS AS REQUIRED. REFER TO AREA CLASSIFICATION DRAWINGS FOR MORE DETAILS.
 - PROVIDE STAR TECK HAZARDOUS LOCATION CONNECTORS WHERE MOTOR LEAD EXTENDS TO CLASSIFIED AREA.
 - PROVIDE STAINLESS STEEL HARDWARE.

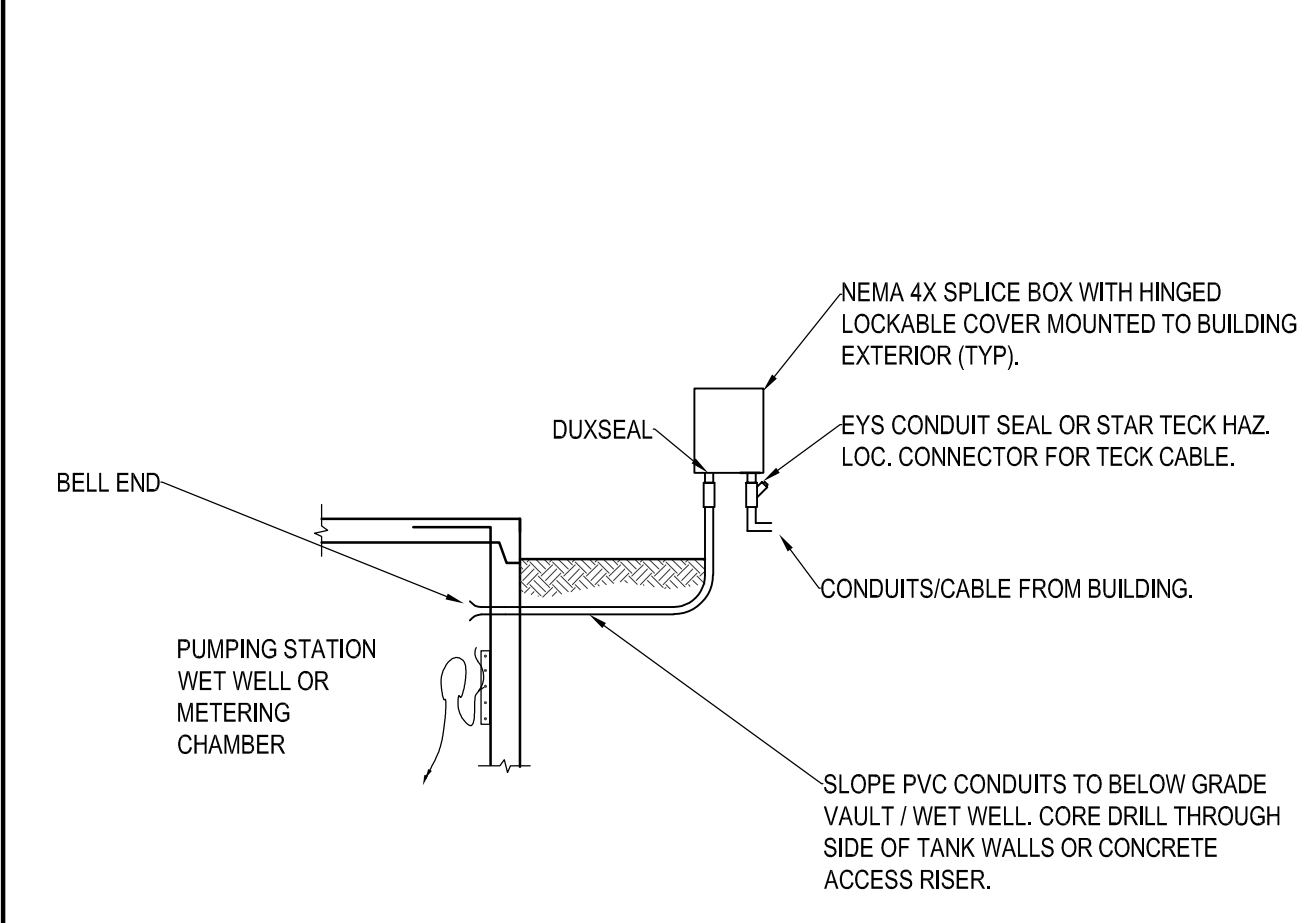
4 MOTOR WIRING AT OUTDOOR TANKS
SCALE: NTS



VOLTAGE	SERVICE CABLE SIZE	RAYCHEM TYPE V KIT #	MAXIMUM BOLT LENGTH
MAXIMUM 1000V	#12-#10AWG	MCK-1V-31	16mm
	#8-#4AWG	MCK-2V-31	19mm
	#2-#4(0)AWG	MCK-3V-31	25mm
	250MCM-500MCM	MCK-4V-31	38mm
MAXIMUM 5000V	#8-#2AWG	MCK-5-1V-00	19mm
	#1-250MCM	MCK-5-2V-00	25mm(38mm)
	300MCM-750MCM	MCK-5-3V-00	250MCM(38mm)

- NOTES**
- LEAVE A MINIMUM OF 200mm OF SERVICE CONDUCTOR ON THE INSIDE OF THE BOX.
 - SERVICE CONDUCTOR LUGS MUST HAVE A HOLE THE SAME DIAMETER AS THAT FOR THE MOTOR CONDUCTOR LUGS.
 - THE LUGS MUST BE BOLTED TOGETHER BY USE OF S3316 OR DURIUM BOLTS AND NUTS WITH TWO FLAT WASHERS AND ONE LOCK WASHER. THE BOLT MUST BE THE MAXIMUM DIAMETER PERMITTED BY THE HOLE IN THE LUG.
 - CONNECTING BOLTS ARE NEVER TO BE CUT TO LENGTH. USE PROPER LENGTH BOLT.

5 MOTOR CONNECTION DETAILS
SCALE: NTS

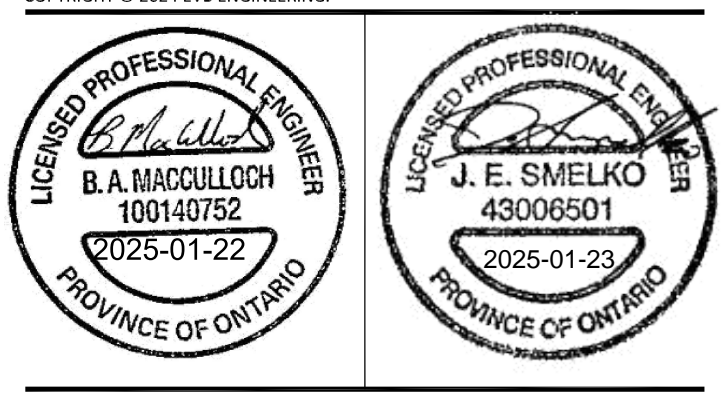


- NOTES**
- REFER TO ELECTRICAL PLANS FOR QUANTITY AND LOCATION OF SPlice BOXES.
 - PROVIDE SEPARATE SPlice BOX AND CONDUIT FOR EACH MOTOR/PUMP IN THE WETWELL.
 - INTRINSICALLY SAFE WIRING (EX. TO FLOATS) IS NOT TO BE RUN IN THE SAME CONDUIT OR SPlice BOX AS OTHER NON-INTRINSICALLY SAFE WIRING.
 - PROVIDE A MINIMUM OF 3.0m OF SLACK CABLE IN EACH SPlice BOX FOR FUTURE EQUIPEMNT REPLACEMENT.
 - PROVIDE CRIMPED BUTT-SPlice CONNECTIONS WITH HEAT SHRINK INSULATING SLEEVES IN SPlice BOXES.

6 SPlice BOX ARRANGEMENT AT SPS WETWELL
SCALE: NTS

DATE	No.	REVISION
2025/01/23	2	ISSUED FOR TENDER
2024/08/23	1	ISSUED FOR ECA APPROVAL

THE DRAWINGS, ARRANGEMENTS, ANNOTATIONS AND GRAPHICAL PRESENTATIONS ON THIS DOCUMENT ARE THE PROPERTY OF EVB ENGINEERING WHO RETAINS OWNERSHIP AND AUTHORITY OF THIS DOCUMENT IN ITS ENTIRETY. THIS DOCUMENT IS AN INSTRUMENT OF SERVICE AND IS THE INTELLECTUAL AND PHYSICAL PROPERTY OF EVB ENGINEERING. AUTHORIZED USE OF THIS DRAWING IS GRANTED SOLELY FOR THE PURPOSE OF THIS SPECIFIC PROJECT AND LOCATION, AND NOT FOR CONSTRUCTION OR USE FOR ANY OTHER PROJECT. COPYRIGHT © 2024 EVB ENGINEERING.



CONSULTANT:
EVB ENGINEERING
800 SECOND STREET WEST
CORNWALL, ONTARIO CANADA, K6J 1H6
TEL: 813-935-3775 | FAX: 813-935-6450
WEBSITE: EVBengineering.com

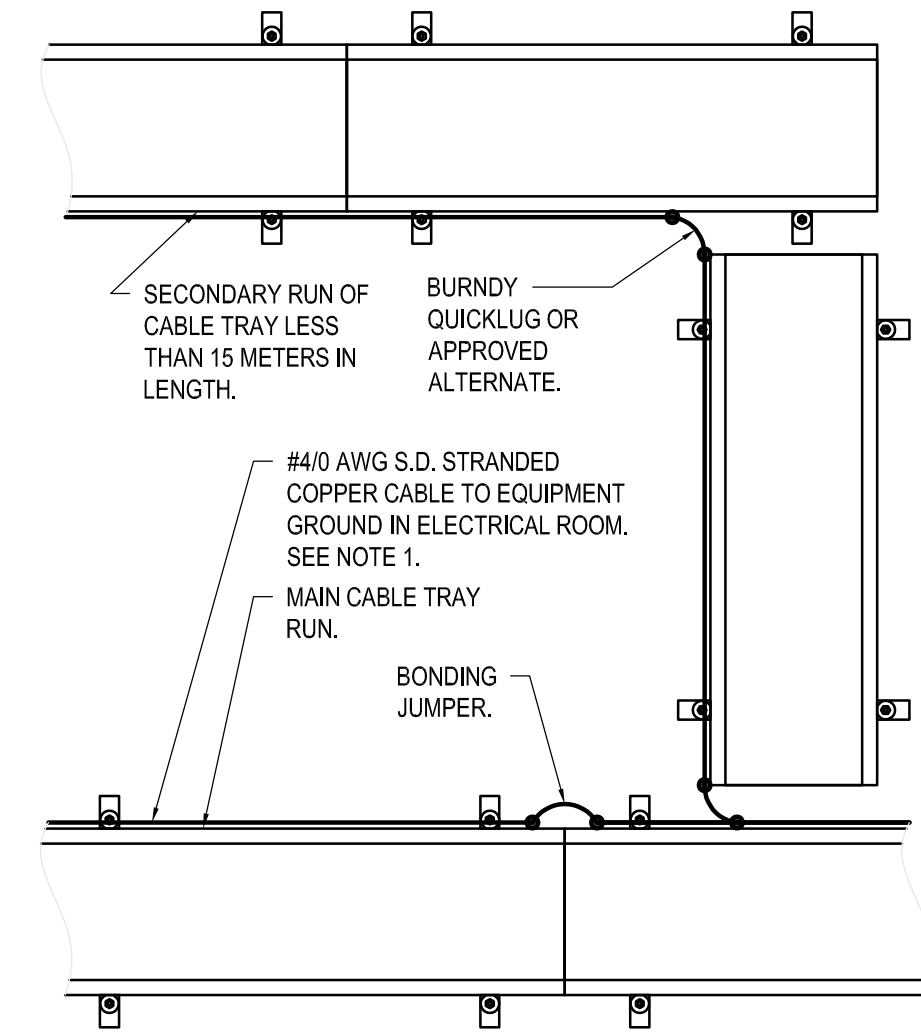


CLIENT:
Greater Napanee
CREATED FOR MANY REASONS

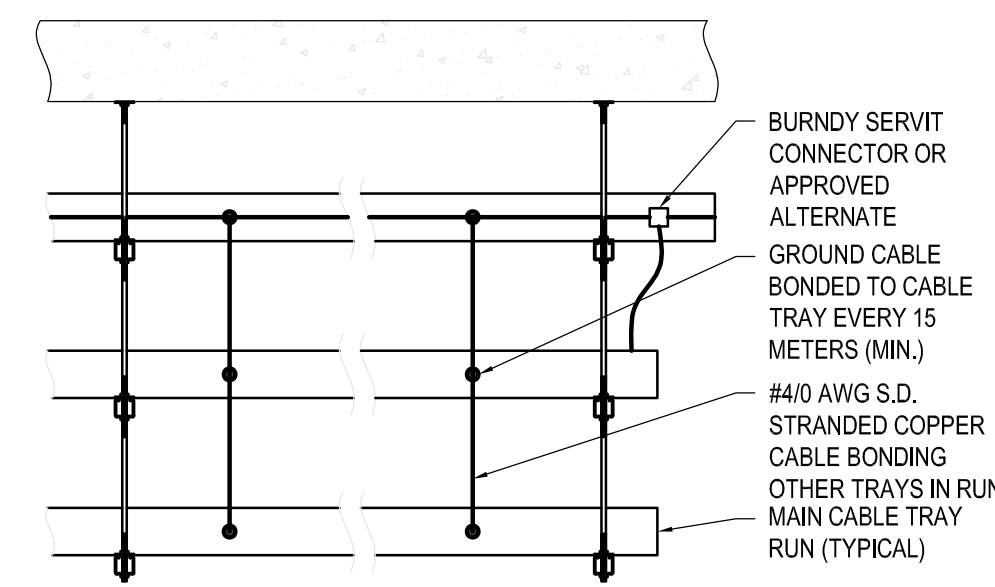
PROJECT:
NEW NAPANEE WPCP

TITLE:
TYPICAL ELECTRICAL DETAILS

SCALE: AS NOTED
JOB NO: 22001
DATE: 2025/01/23
DESIGNED BY: B.M.
DRAWN BY: B.M.
CHECKED BY: J.S.
DRAWING NO: E0401



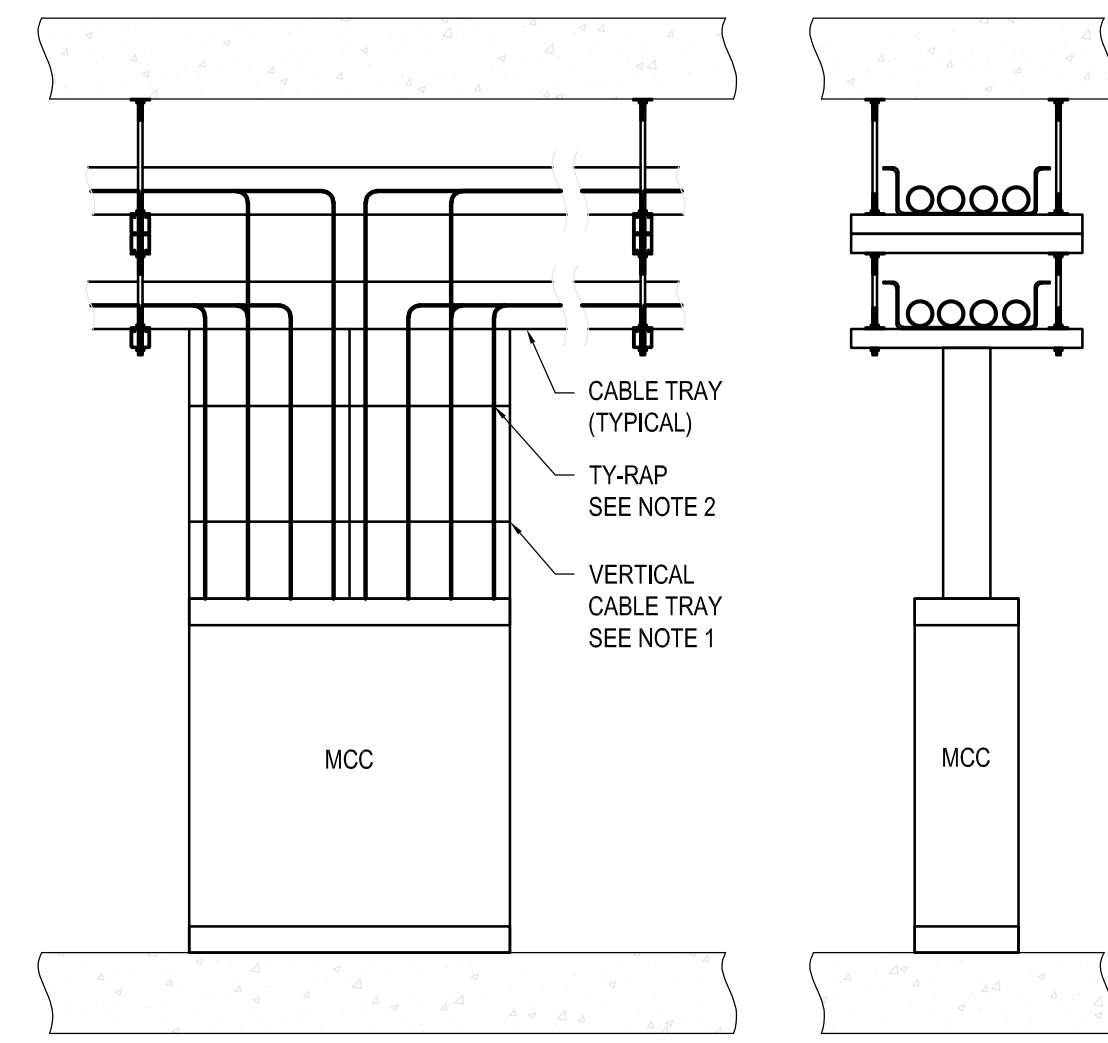
CABLE TRAY GROUNDING



CABLE TRAY GROUNDING ELEVATION

1 CABLE TRAY GROUNDING AND BONDING

SCALE: NTS



CABLE SUPPORT AT ENTRANCE TO MCC FRONT ELEVATION

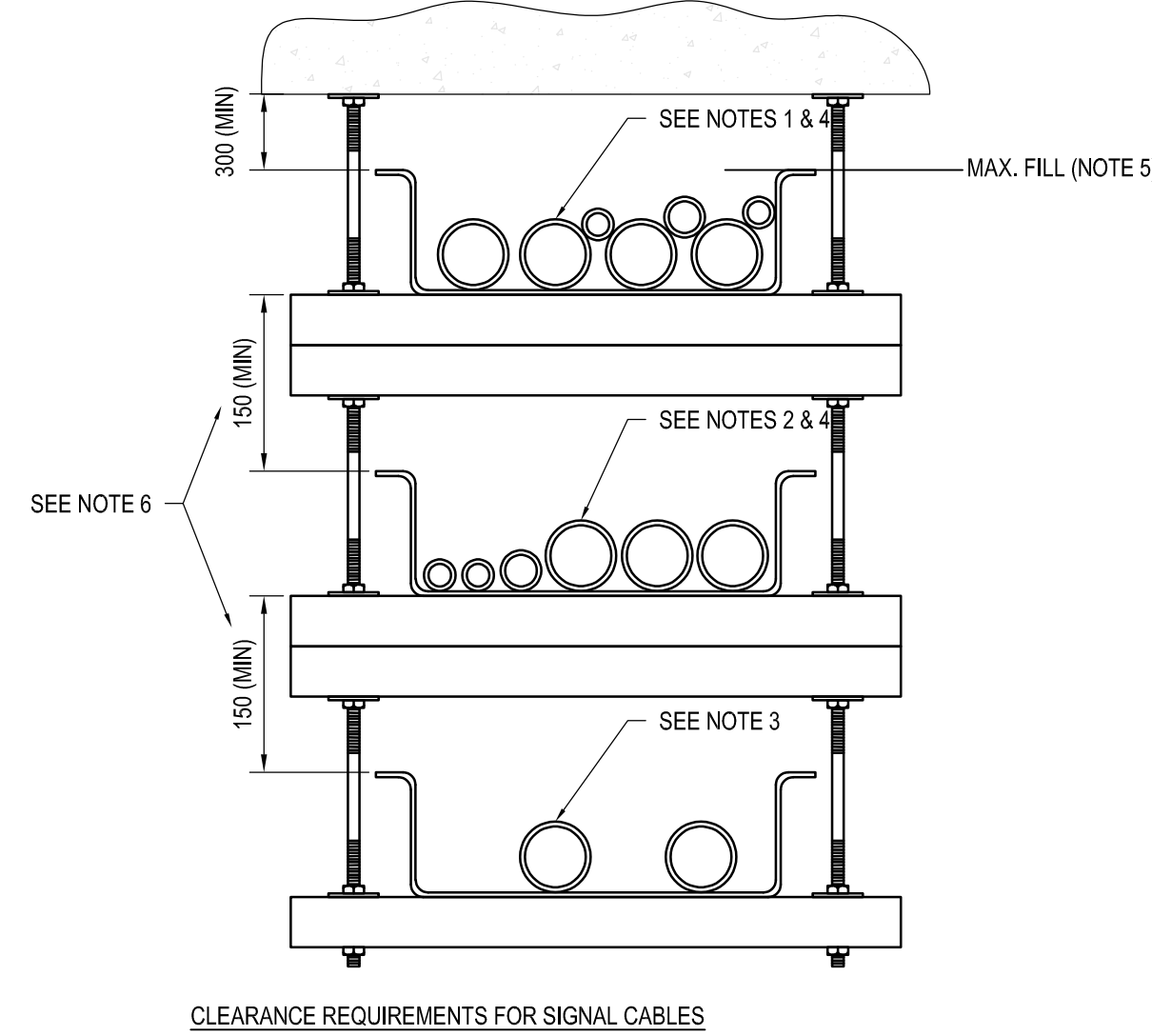
SIDE ELEVATION

NOTES

1. INSTALL VERTICAL TRAY IF DISTANCE IS 900mm OR GREATER.
2. SECURE VERTICAL RUNS OF CABLES AT INTERVALS NOT EXCEEDING 900mm.

2 CABLE TRAY INSTALLATION AT MCC

SCALE: NTS



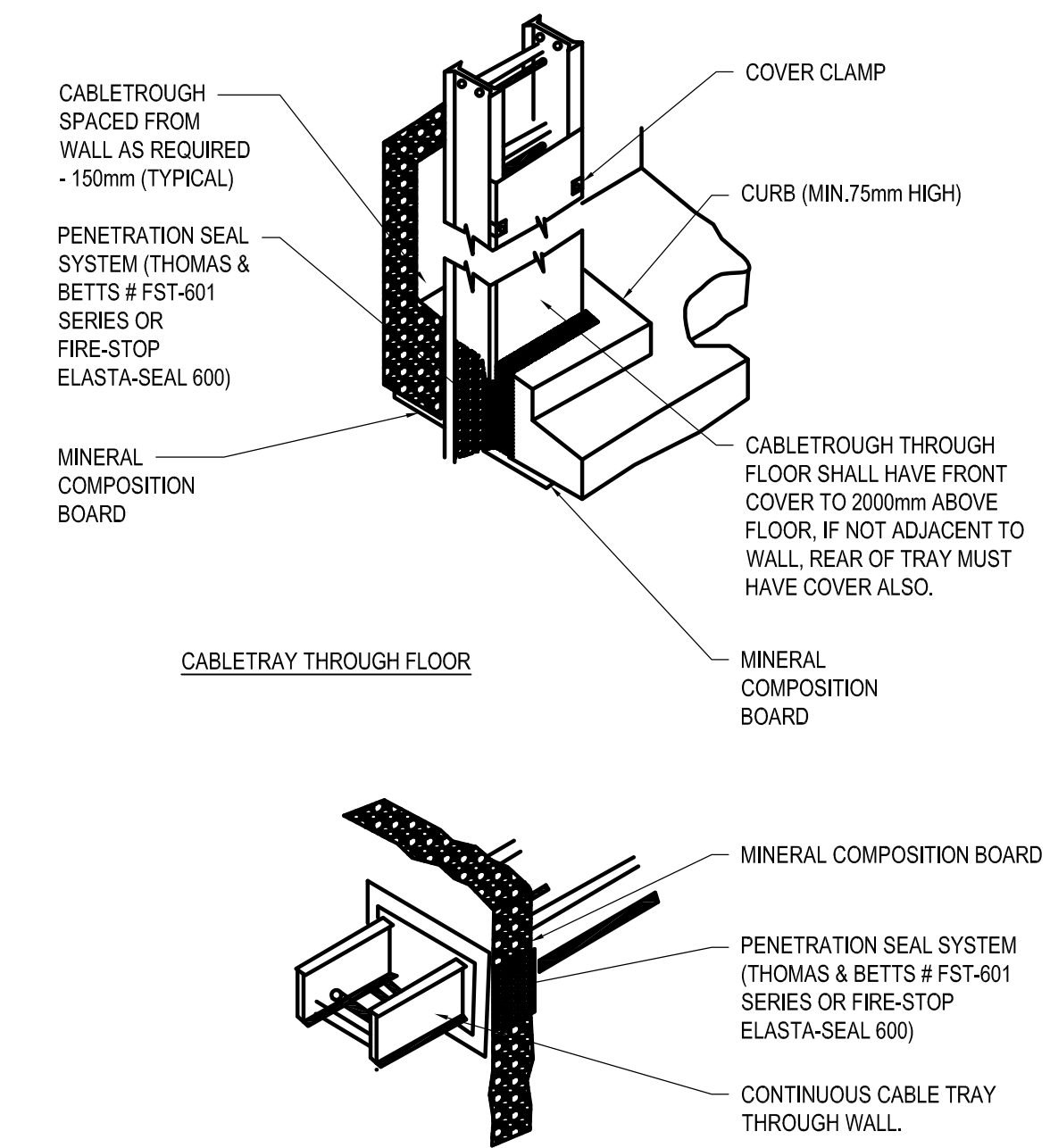
CLEARANCE REQUIREMENTS FOR SIGNAL CABLES

NOTES

1. RANDOM STACKED. MORE THAN 43 POWER CONDUCTORS PER COLOUR. AMPACITY DERATED TO 50%, 1000V CABLE.
2. SPACED SINGLE FILE. NOT MORE THAN 24 POWER CONDUCTORS (8 CABLES) PER 600mm CABLETHROUGH. AMPACITY DERATED TO 70%.
3. SPACED. 1/0 & LARGER CABLES AT LEAST ONE DIAMETER OF LARGEST CABLE APART AND TIED WITH TY-RAPS EVERY 1200mm. AMPACITY RATED 100%. 5KV & LARGER USE SEPARATE CABLETHROUGH SYSTEM AND SPACE CABLE ONE DIAMETER OF LARGEST CABLE APART.
4. ASSOCIATED CONTROL CABLES MAY BE INCLUDED WITHOUT AFFECTING RATING.
5. DESIGN FOR MAXIMUM 60% CABLETHROUGH FILL. ALLOW 25% OF TRAY AREA UNUSED.
6. WHERE CABLES OF 50mm DIAMETER OR GREATER ARE INSTALLED IN TRAY, THIS DIMENSION SHALL BE 300 (MIN).

3 CLEARANCE REQUIREMENTS FOR SIGNAL CABLES

SCALE: NTS



CABLETRAY THROUGH FLOOR

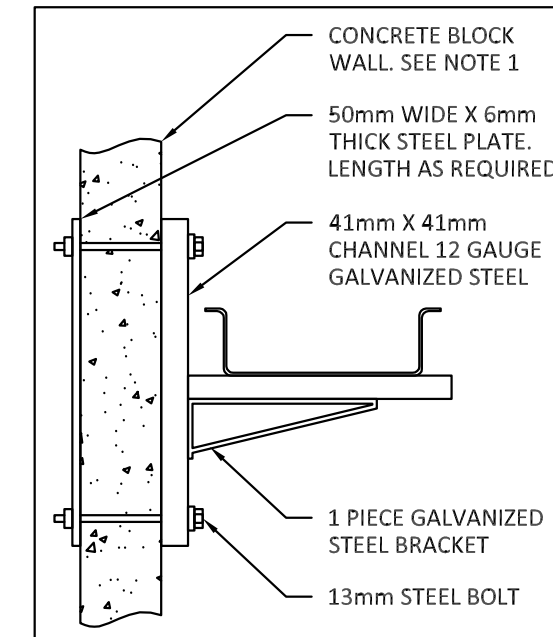
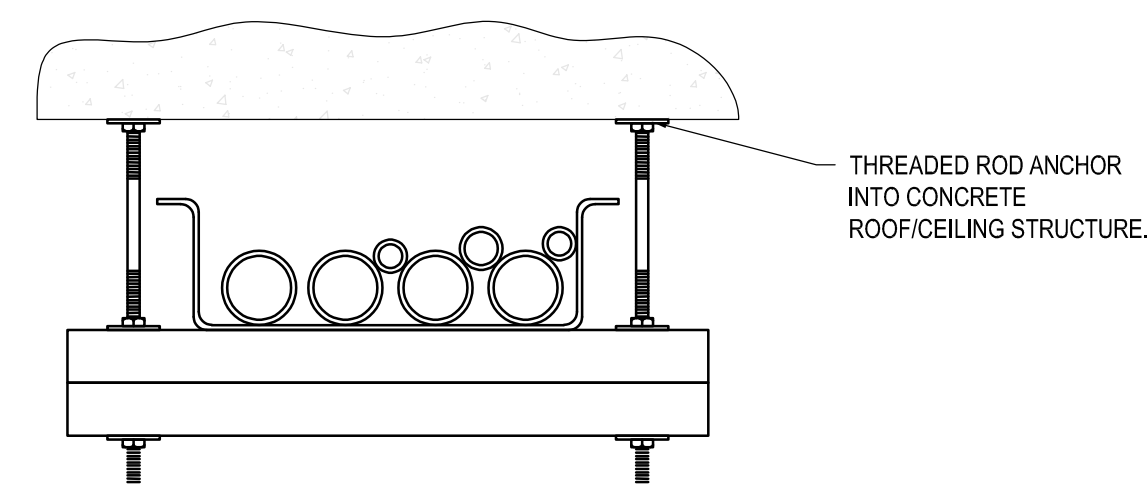
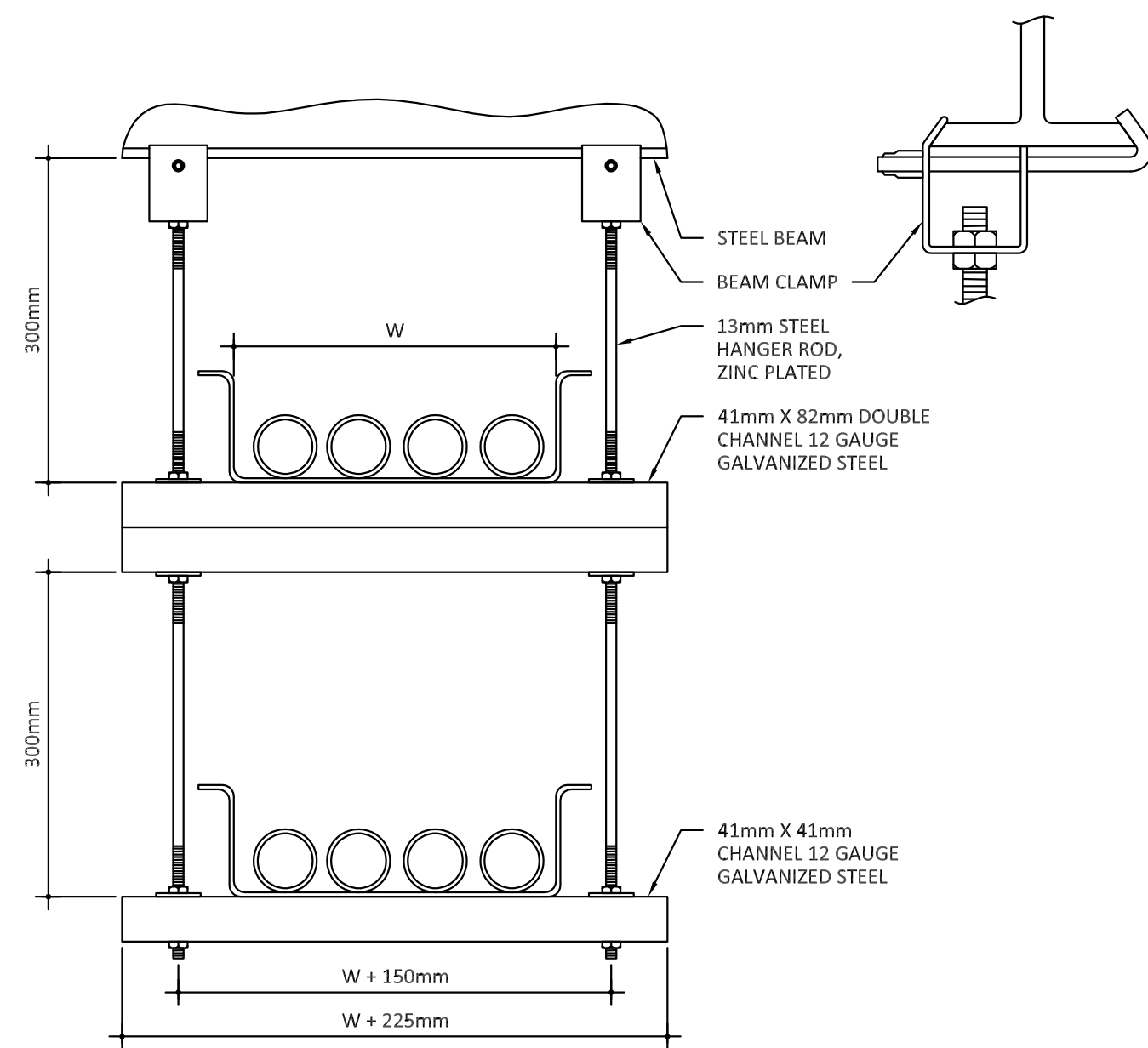
CABLETROUGH THROUGH WALL

NOTES

1. ALL OPENINGS THROUGH CEILINGS, WALLS AND FLOORS TO BE BLOCKED WITH FIRE RETARDANT MATERIAL AS PER NATIONAL BUILDING CODE SECTIONS 3.1.1 & 3.1.9.

4 CABLE TRAY PENETRATIONS

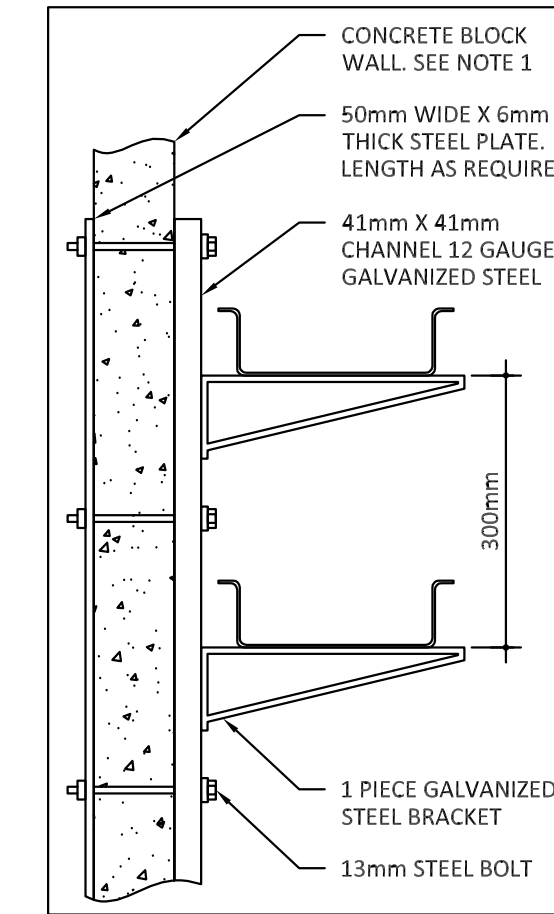
SCALE: NTS



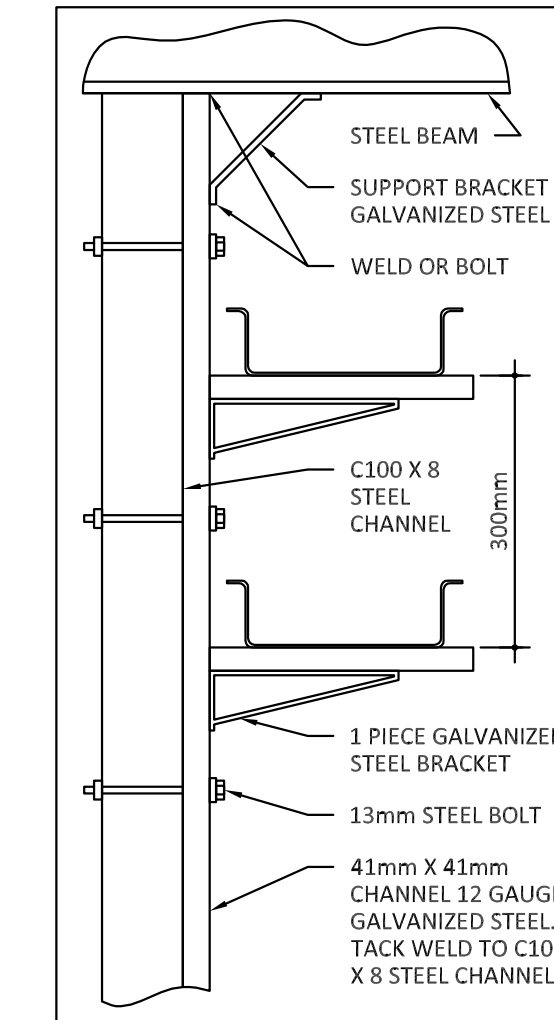
TRAY SUPPORTS, CANTILEVER, WALL MOUNT, 1 TRAY, 4 TIER (MAX.)

1. FOR MOUNTING ON CONCRETE WALL, SECURE CHANNEL USING 13mm "WEJ-IT" STAINLESS STEEL ANCHORS.
2. FOR MOUNTING ON BUILDING STEEL COLUMN, WELD CHANNEL TO COLUMN.

NOTES



TRAY SUPPORTS, CANTILEVER, BEAM MOUNT, 1 TRAY, 3 TIER (MAX.)



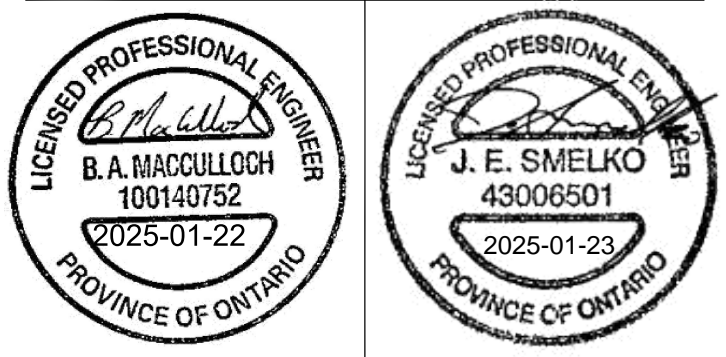
TRAY SUPPORTS, CANTILEVER, CEILING MOUNT, 2 TRAY, 2 TIER (MAX.)

5 CABLE TRAY SUPPORTS

SCALE: NTS

DATE	No.	REVISION
2025/01/23	2	ISSUED FOR TENDER
2024/08/23	1	ISSUED FOR ECA APPROVAL

THE DRAWINGS, ARRANGEMENTS, ANNOTATIONS AND GRAPHICAL PRESENTATIONS ON THIS DOCUMENT ARE THE PROPERTY OF EVB ENGINEERING WHO RETAINS OWNERSHIP AND AUTHORITY OF THIS DOCUMENT IN ITS ENTIRETY. THIS DOCUMENT IS AN INSTRUMENT OF SERVICE AND IS THE INTELLECTUAL AND PHYSICAL PROPERTY OF EVB ENGINEERING. AUTHORIZED USE OF THIS DRAWING IS GRANTED SOLELY FOR THE PURPOSE OF THIS SPECIFIC PROJECT AND LOCATION, AND NOT FOR CONSTRUCTION OR USE FOR ANY OTHER PROJECT. COPYRIGHT © 2024 EVB ENGINEERING.



CONSULTANT:
EVB ENGINEERING
 800 SECOND STREET WEST
 CORNWALL, ONTARIO CANADA, K6J 1H6
 TEL: 613-935-3775 | FAX: 613-935-6450
 WEBSITE: EVBengineering.com

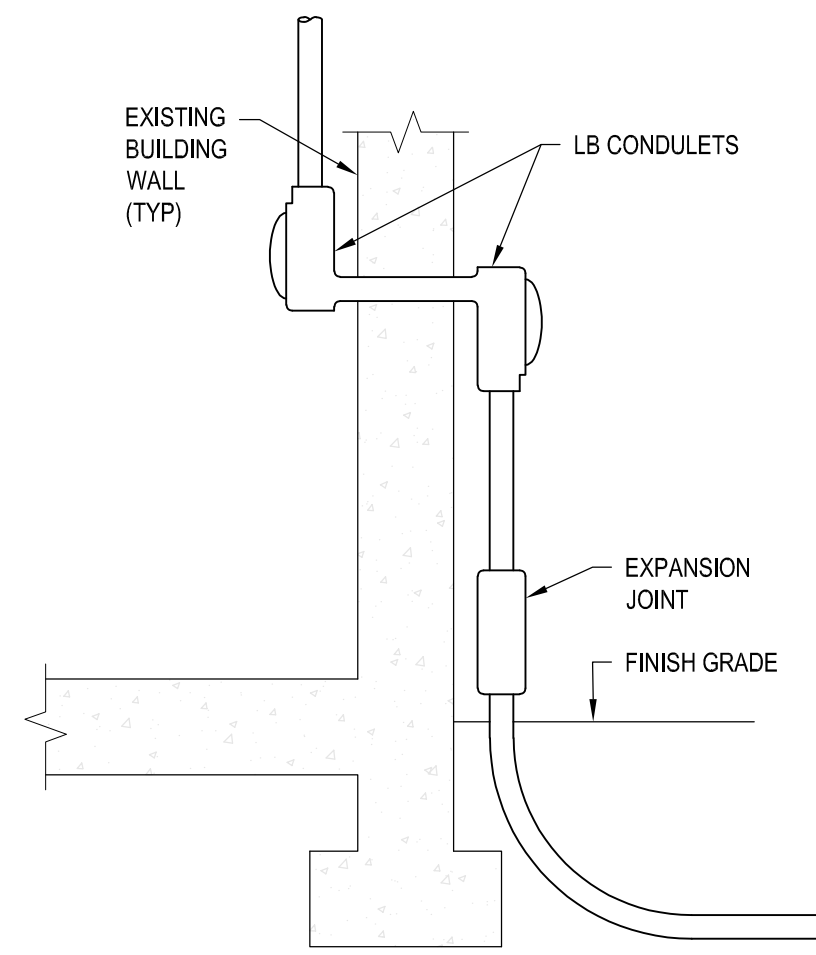
SUB-CONSULTANT:
CIMA+

CLIENT:
Greater Napanee
 GREATNESS FOR MANY REASONS

PROJECT:
NEW NAPANEE WPCP

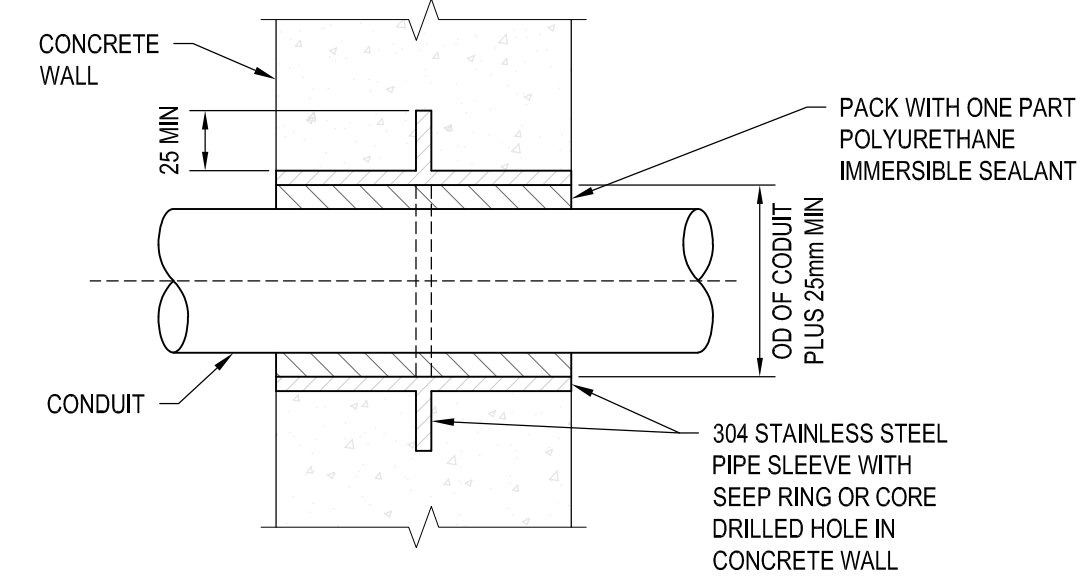
TITLE:
TYPICAL ELECTRICAL DETAILS

SCALE: AS NOTED	JOB NO: 22001
DESIGNED BY: B.M.	DATE: 2025/01/23
DRAWN BY: B.M.	DRAWING NO. E0402
CHECKED BY: J.S.	



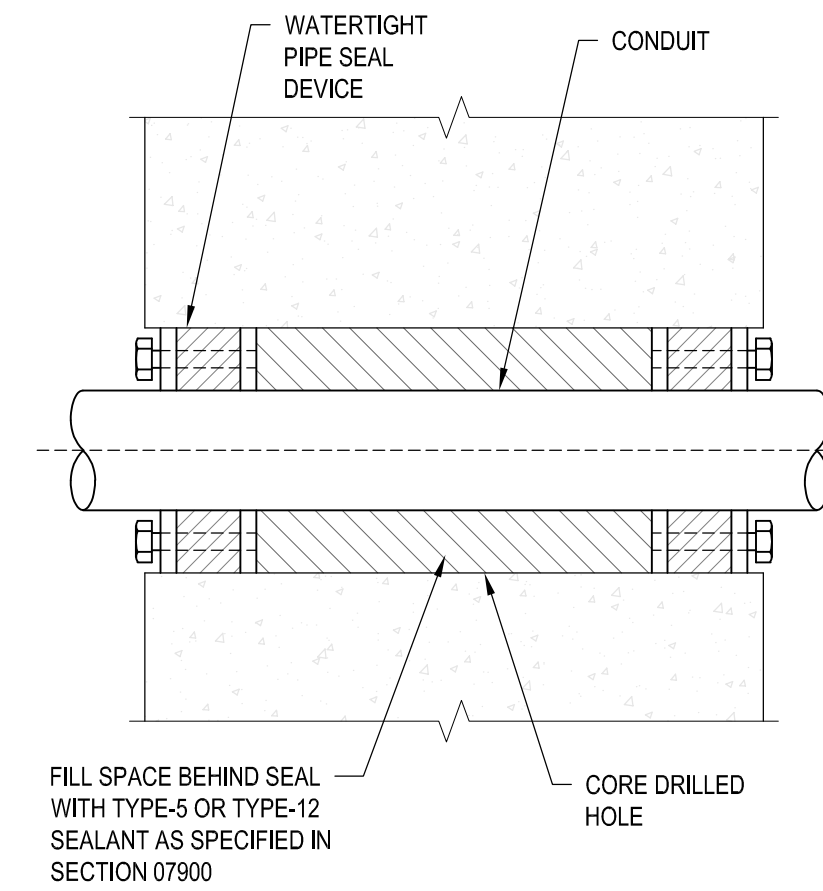
- NOTES**
1. INSTALL CONDUITS THROUGH EXISTING WALLS IN ACCORDANCE WITH THIS DETAIL IF NOT OTHERWISE INDICATED.
 2. DRILL HOLE USING METHODS THAT LEAVE A SMOOTH OPENING. SEAL OPENING AROUND CONDUIT, INSIDE, AND OUTSIDE, WITH IMMERSIBLE POLYURETHANE SEALANT.

1 CONDUIT ENTRANCE ABOVE GRADE
SCALE: NTS



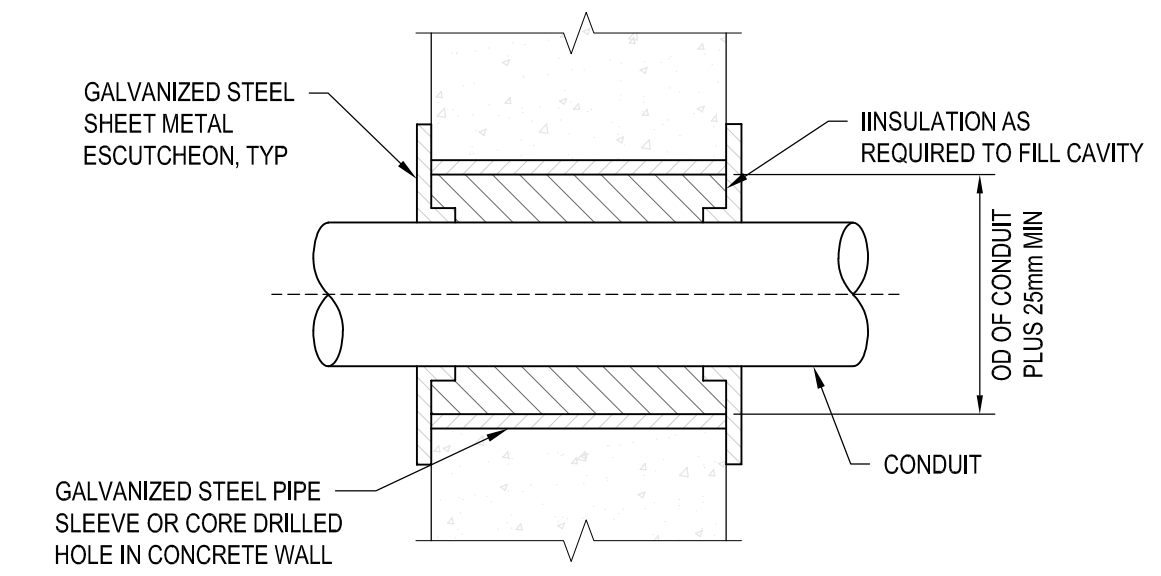
- NOTES**
1. CONDUITS WHICH INDIVIDUALLY ENTER A BELOW GRADE STRUCTURE SHALL BE INSTALLED IN ACCORDANCE WITH THIS DETAIL UNLESS SPECIFICALLY NOTED OTHERWISE.

2 CONDUIT ENTRANCE BELOW GRADE
SCALE: NTS



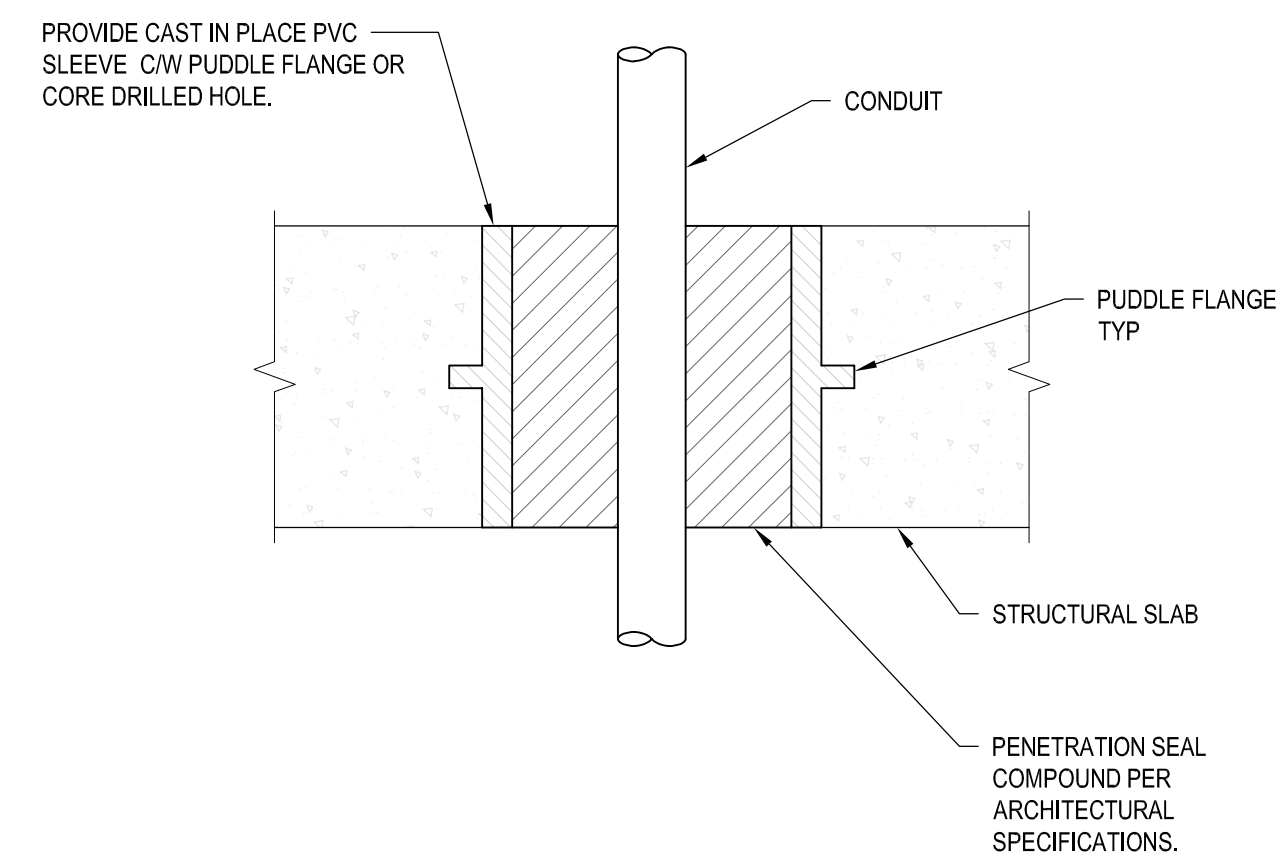
- NOTES**
1. USE WATERTIGHT CONDUIT SEAL WHERE CONDUIT PENETRATIONS ENTER BUILDINGS BELOW GRADE AS INDICATED ON CONTRACT DRAWINGS.

3 CONDUIT ENTRANCE BELOW GRADE
SCALE: NTS



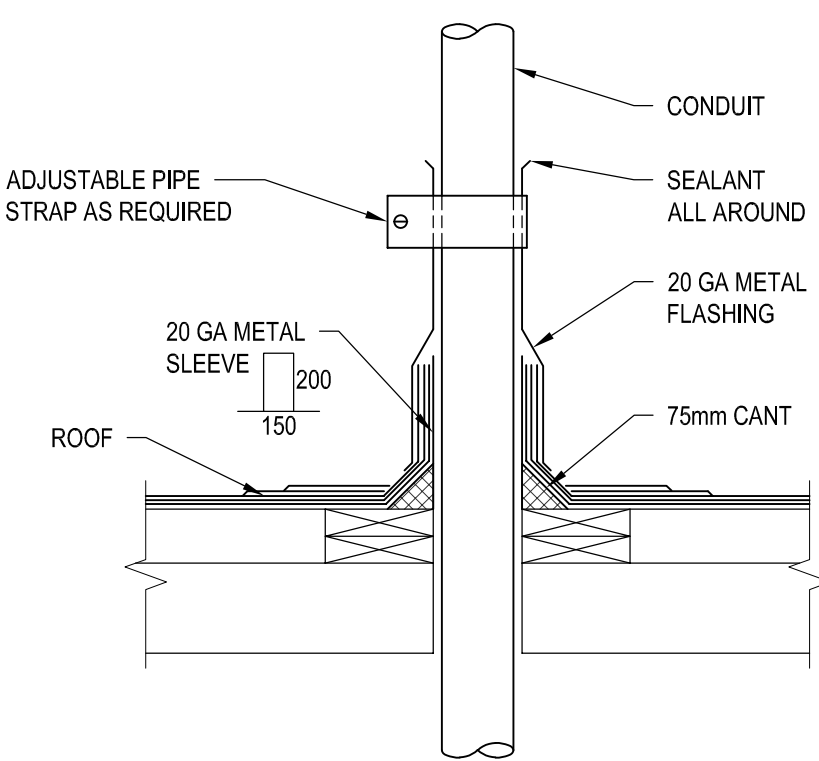
- NOTES**
1. CONDUITS WHICH INDIVIDUALLY PASS THRU AN INTERIOR WALL SHALL BE INSTALLED IN ACCORDANCE WITH THIS DETAIL. IF WALL IS A FIRE WALL, FILL CAVITY WITH FIRE STOP SEALANT SPECIFIED IN SECTION 7900.

4 CONDUIT PENetration THROUGH WALL
SCALE: NTS



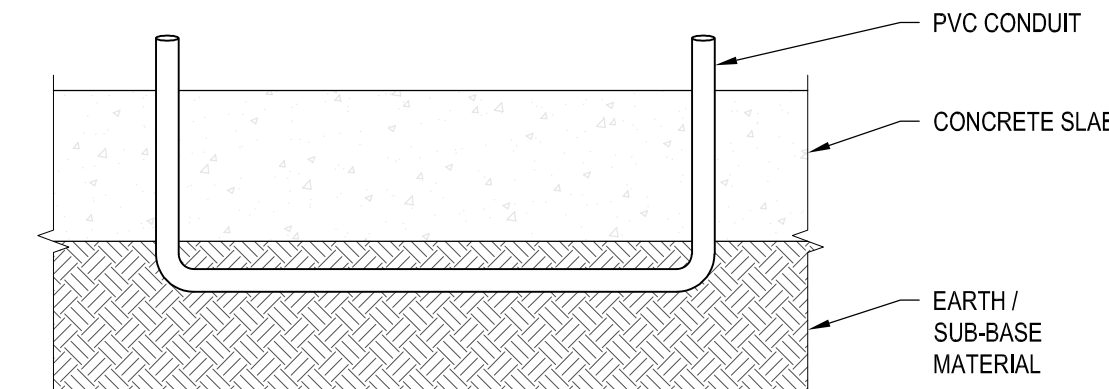
- NOTES**
1. ALL CONDUITS/CABLES THAT PASS THROUGH CONCRETE FLOOR SLABS SHALL BE INSTALLED IN ACCORDANCE WITH THIS DETAIL.

5 CONDUIT PENetration THROUGH FLOOR
SCALE: NTS



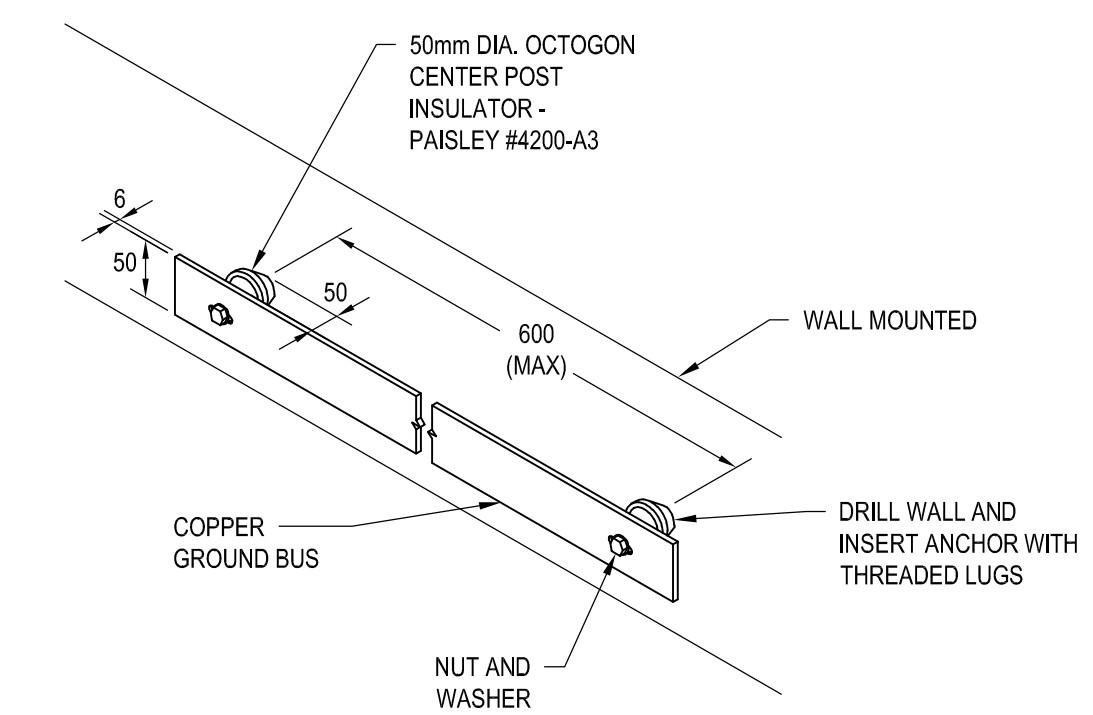
- NOTES**
1. CONDUITS WHICH PASS THROUGH A ROOF SHALL BE INSTALLED IN ACCORDANCE WITH THE REQUIREMENTS OF THIS DETAIL.

6 CONDUIT PENetration THROUGH ROOF
SCALE: NTS



- NOTES:**
1. CONDUITS SHALL BE INSTALLED UNDER CONCRETE SLAB, NOT WITHIN CONCRETE SLAB. PROVIDE MINIMUM 150mm COVER TO UIS OF CONCRETE SLAB.

7 CONDUIT INSTALLATION BELOW SLAB
SCALE: NTS

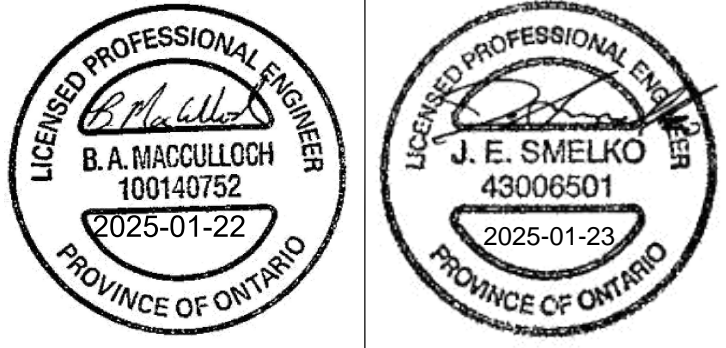


- NOTES:**
1. ALL CONNECTIONS WITH DOUBLE BOLT COMPRESSION LUG.

8 TYPICAL GROUND BUS
SCALE: NTS

DATE	No.	REVISION
2025/01/23	2	ISSUED FOR TENDER
2024/08/23	1	ISSUED FOR ECA APPROVAL

THE DRAWINGS, ARRANGEMENTS, ANNOTATIONS AND GRAPHICAL PRESENTATIONS ON THIS DOCUMENT ARE THE PROPERTY OF EVB ENGINEERING WHO RETAINS OWNERSHIP AND AUTHORITY OF THIS DOCUMENT IN ITS ENTIRETY. THIS DOCUMENT IS AN INSTRUMENT OF SERVICE AND IS THE INTELLECTUAL AND PHYSICAL PROPERTY OF EVB ENGINEERING. AUTHORIZED USE OF THIS DRAWING IS GRANTED SOLELY FOR THE PURPOSE OF THIS SPECIFIC PROJECT AND LOCATION, AND NOT FOR CONSTRUCTION OR USE FOR ANY OTHER PROJECT.
COPYRIGHT © 2024 EVB ENGINEERING.



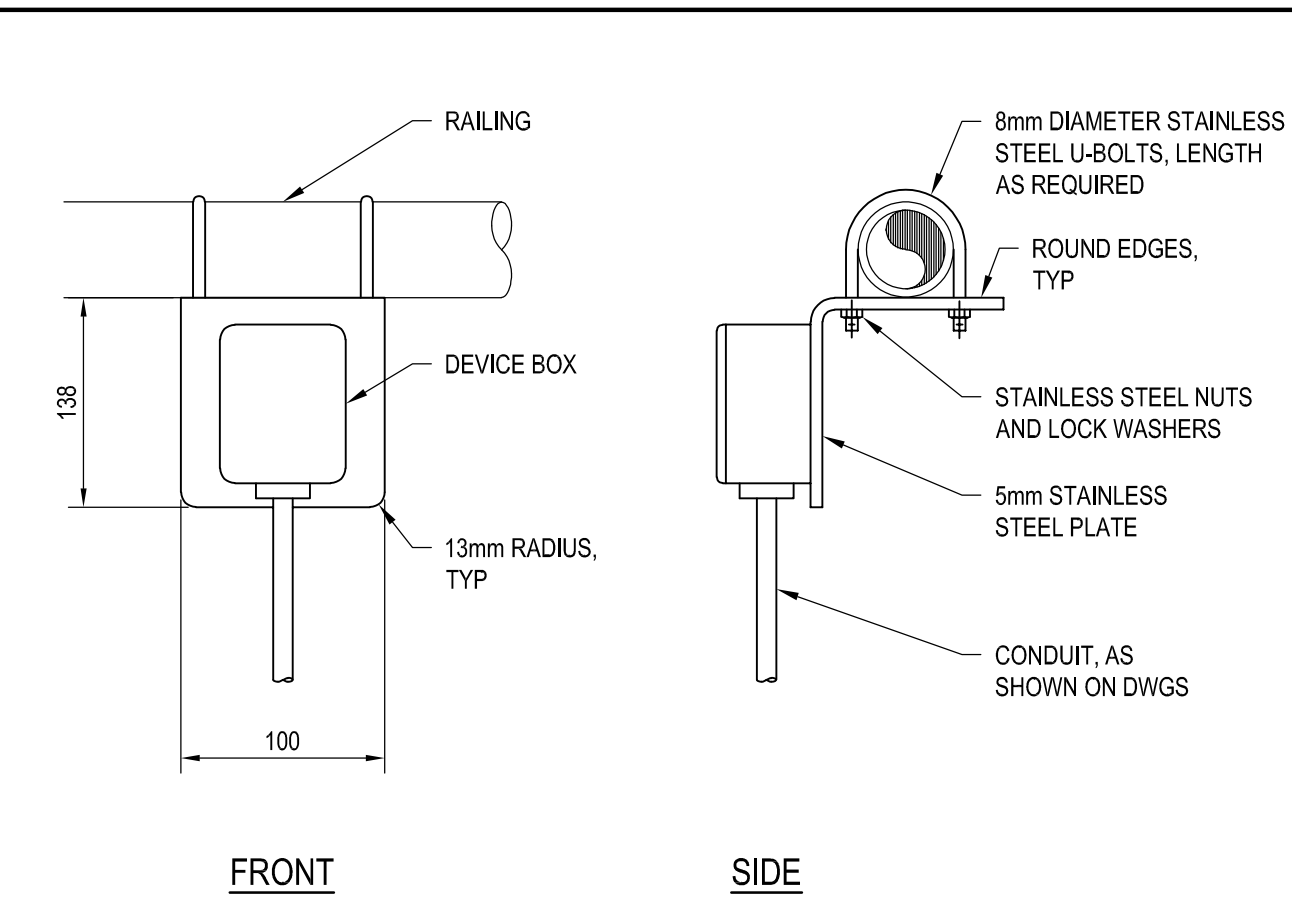
CONSULTANT:
EVB ENGINEERING
 800 SECOND STREET WEST
 CORNWALL, ONTARIO CANADA, K6J 1H6
 TEL: 613-885-3775 | FAX: 613-885-6450
 WEBSITE: EVBengineering.com

SUB-CONSULTANT:
CIMA+
 CLIENT:
Greater Napanee
 CREATES FOR MANY REASONS

PROJECT:
NEW NAPANEE WPCP
 TITLE:
TYPICAL ELECTRICAL DETAILS

SCALE:
 AS NOTED
 DESIGNED BY:
 B.M.
 DRAWN BY:
 B.M.
 CHECKED BY:
 J.S.

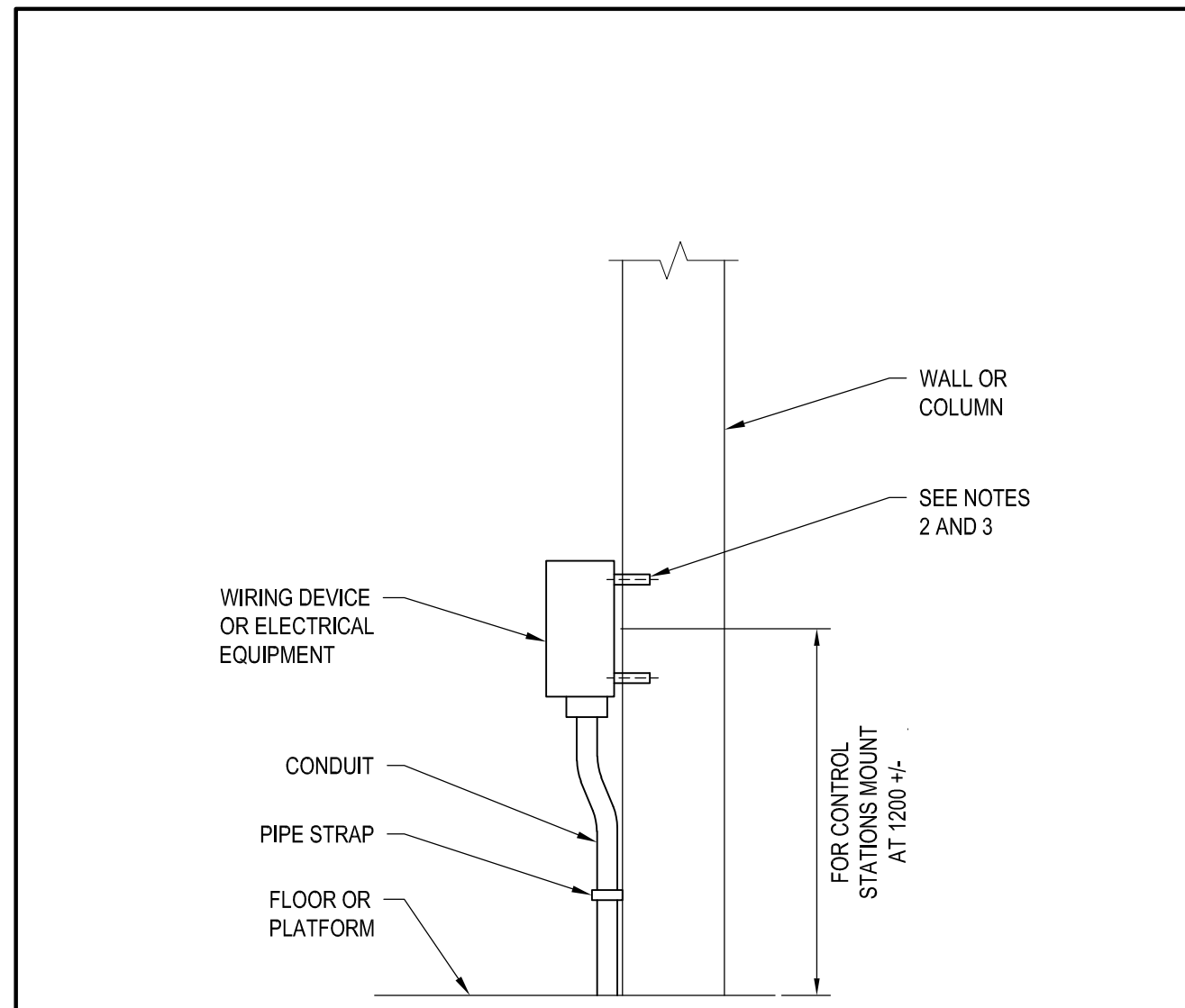
JOB NO:
 22001
 DATE:
 2025/01/23
 DRAWING NO.
E0403



NOTES

1. AT ALUMINUM RAILING, PROVIDE PROTECTION FOR ALUMINUM IN CONTACT WITH STAINLESS STEEL MEMBERS AND CONNECTIONS PER SPECIFICATIONS.

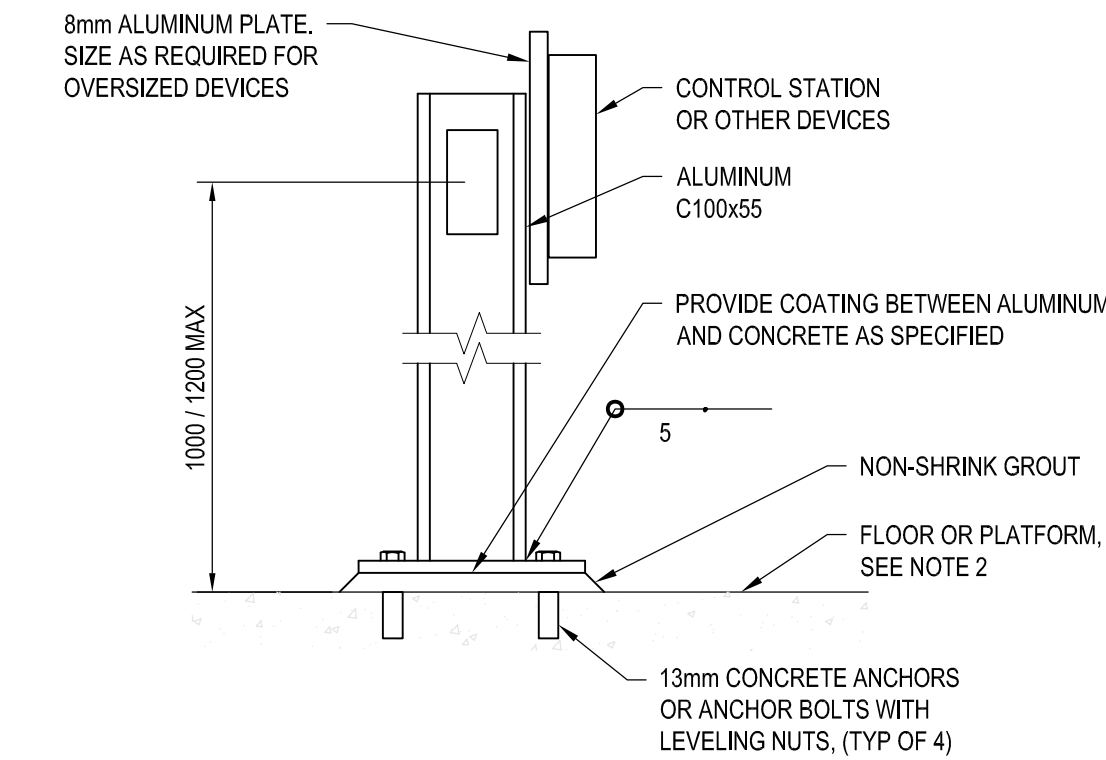
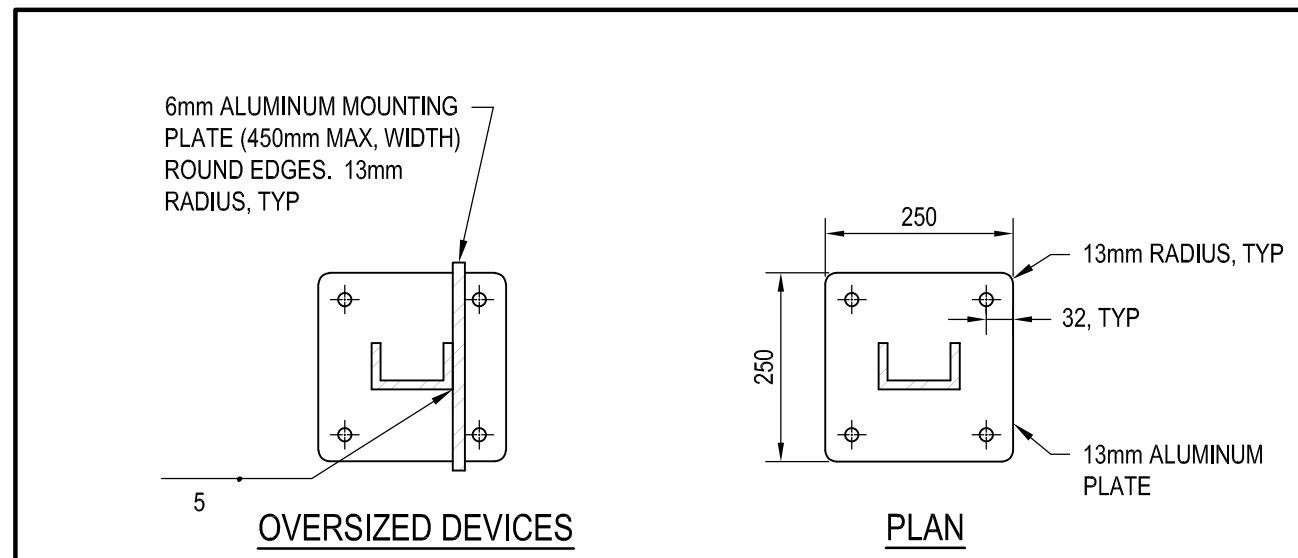
1 HANDRAIL MOUNTED DEVICE
SCALE: NTS



NOTES

1. ALL MOUNTING HARDWARE SHALL BE STAINLESS STEEL. USE WASHER AND SPLIT-LOCK WASHERS UNDER ALL NUTS.
2. ON CONCRETE WALLS USE STAINLESS STEEL CONCRETE ANCHORS. MOUNT ENCLOSURE ON 13mm SPACERS OF 13mm SCHEDULE 80 PVC CONDUIT.
3. BOXES 150mm SQUARE OR LESS TO BE SUPPORTED BY TWO ANCHORS. LARGER BOXES TO BE SUPPORTED BY AT LEAST FOUR.

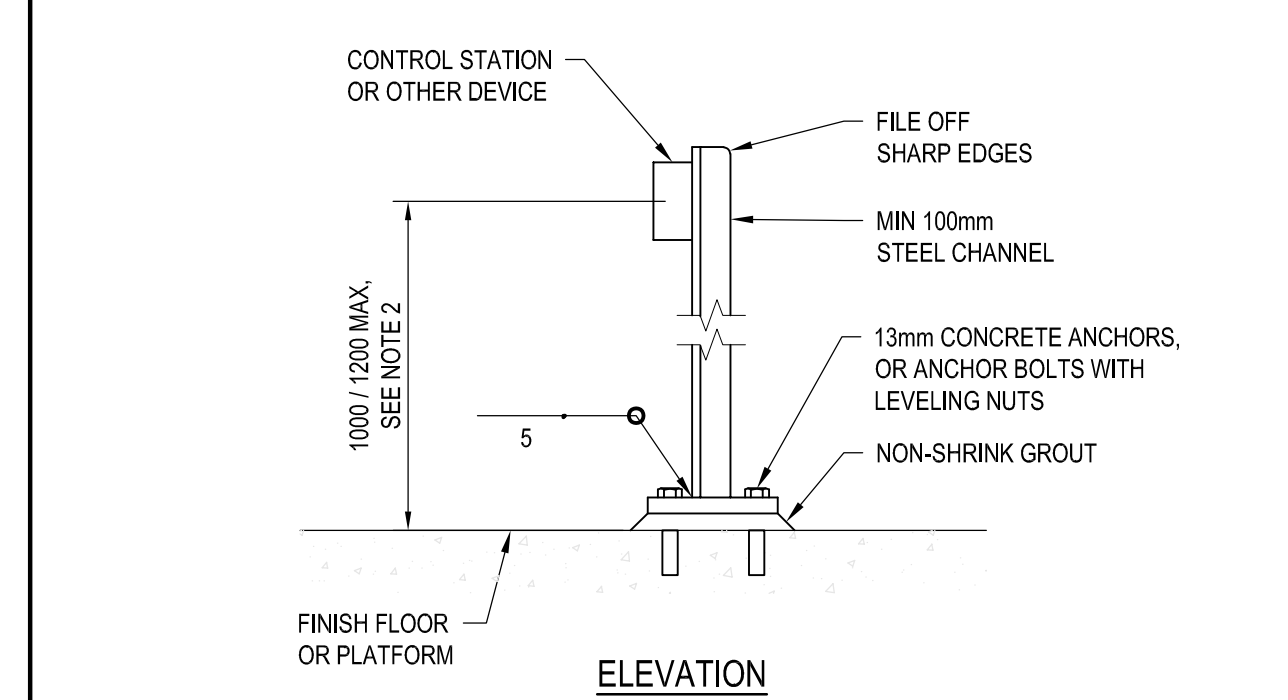
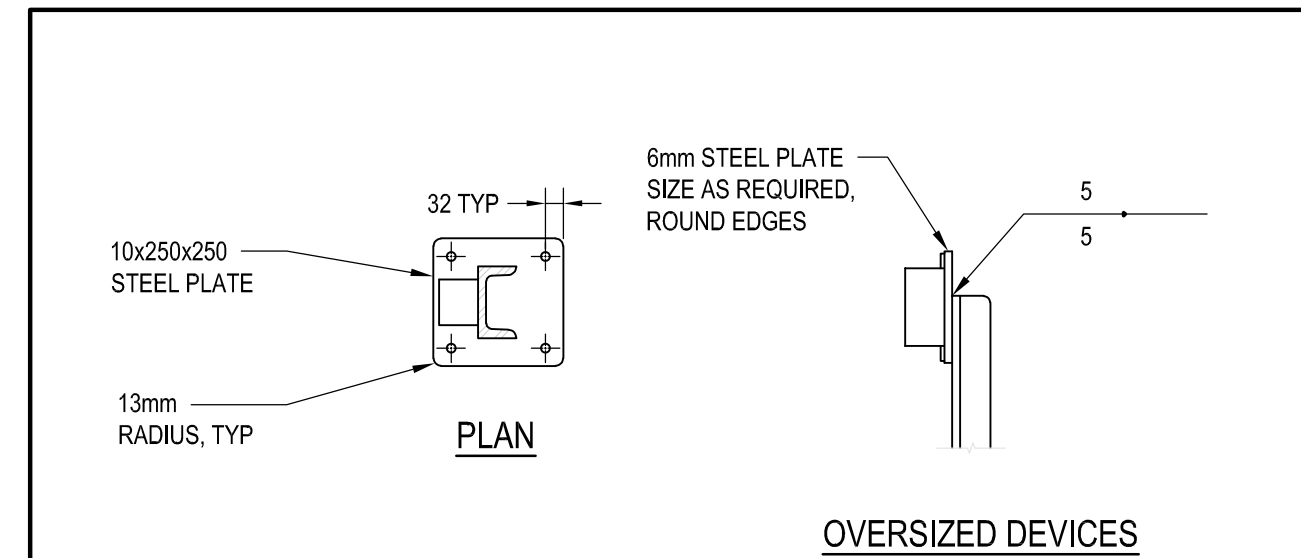
2 WALL OR COLUMN MOUNTED DEVICE
SCALE: NTS



NOTES

1. USE STAINLESS STEEL MOUNTING HARDWARE. USE WASHERS AND SPLIT-LOCK WASHERS UNDER ALL NUTS.
2. FOR YARD LOCATIONS, PROVIDE 600mm SQUARE x 150mm THICK CONCRETE PAD AT GRADE WITH 3#4 REBAR EACH WAY, CENTERED.
3. CONTROL STATIONS DEVICES AND EQUIPMENT HAVING A FRONTAL AREA NOT GREATER THAN 600mm SHALL BE PEDESTAL MOUNTED UNLESS OTHERWISE INDICATED.

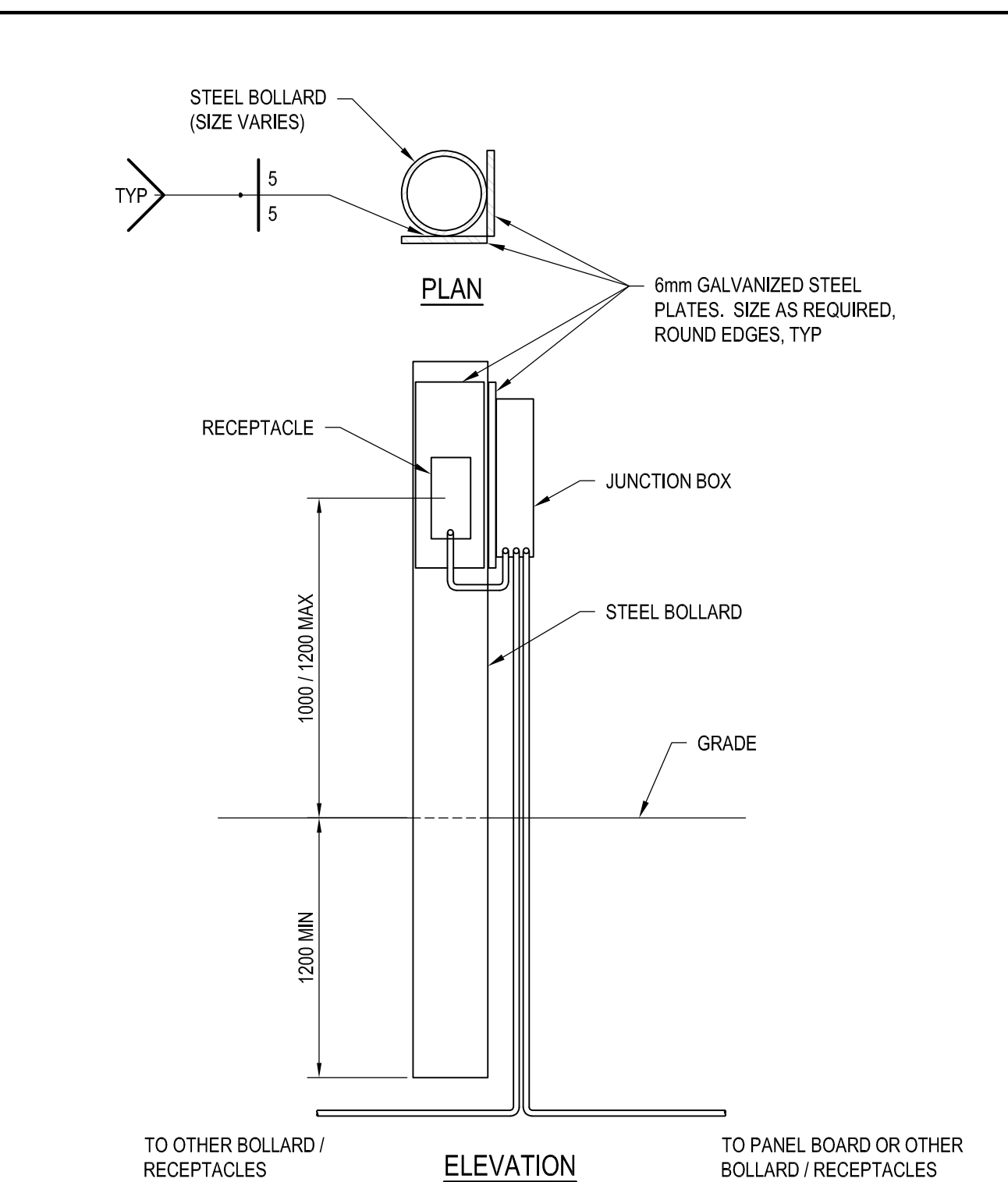
3 ALUMINUM PEDESTAL MOUNTED DEVICE
SCALE: NTS



NOTES

1. ALL MOUNTING HARDWARE SHALL BE GALVANIZED. USE WASHERS AND SPLIT-LOCK WASHERS UNDER ALL NUTS AND BOLTS.
2. FOR HEIGHTS EXCEEDING 1200mm OR WEIGHTS OF MOUNTED EQUIPMENT EXCEEDING 90kg, SIZE POST AND CONNECTION FOR LATERAL LOADS. EXTEND POSTS TO STRUCTURE ABOVE WHERE REQUIRED BY CALCULATION.

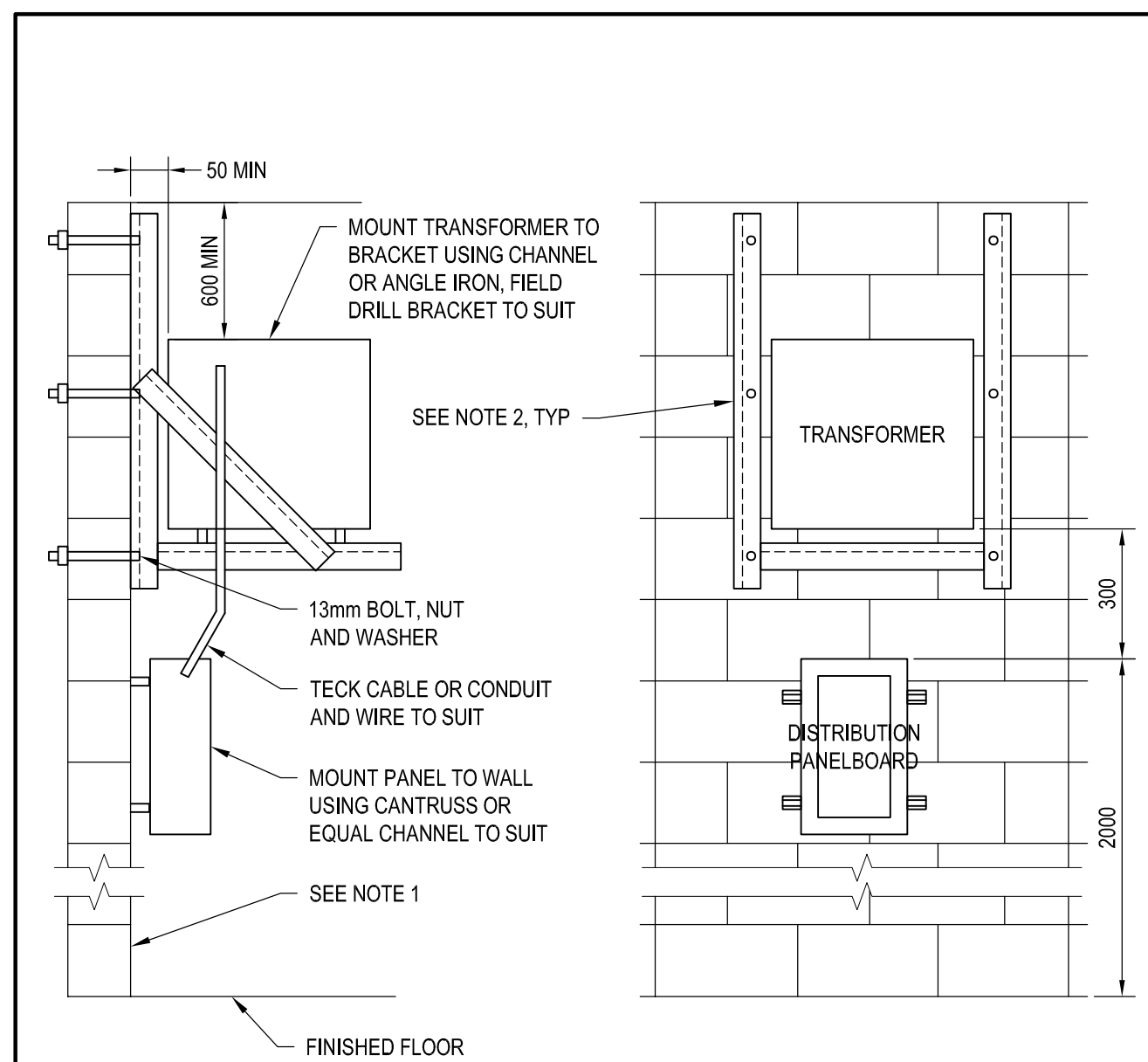
4 STEEL PEDESTAL MOUNTED DEVICE
SCALE: NTS



NOTES

1. ALL MATERIAL AND HARDWARE SHALL BE WEATHER PROOF AND RATED FOR THE ENVIRONMENT.
2. REFER TO OTHER STANDARD DETAILS FOR DIRECT BURIED CONDUIT DETAIL.

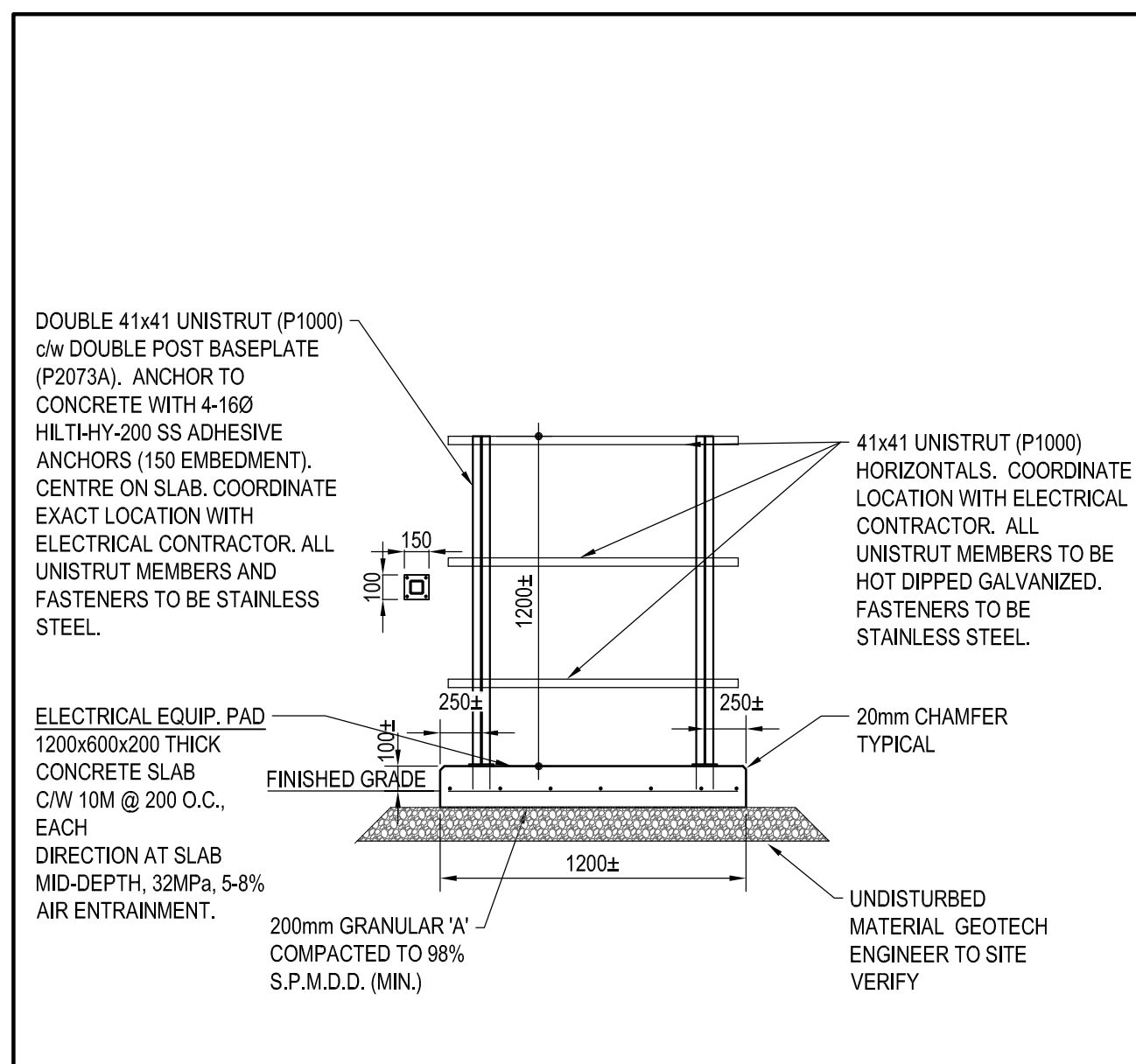
5 BOLLARD MOUNTING DEVICE
SCALE: NTS



NOTES

1. WALL MUST BE MASONRY TYPE. FOR DRYWALL PARTITIONS PROVIDE ADDITIONAL SUPPORT FRAME INDEPENDENT OF WALL.
2. CHANNEL SUPPORT FRAME TO BE 75MMX75MMX7MM STEEL ANGLE.
3. WHERE APPLICABLE ADAPT ARRANGEMENT FOR MOUNTING ON BUILDING STEEL.
4. MAXIMUM TRANSFORMER SIZE 50KVA, LARGER SIZE TRANSFORMERS TO BE FLOOR MOUNTED

6 WALL MOUNTED PANELBOARD AND TRANSFORMER
SCALE: NTS



NOTES

1. ADJUST PAD SIZE AND SUPPORT FRAME TO SUIT EQUIPMENT. COORDINATE FINAL ARRANGEMENT WITH CONTRACT ADMINISTRATOR.

7 TYPICAL EQUIPMENT SUPPORT FRAME - OUTDOOR
SCALE: NTS

DATE	No.	REVISION
2025/01/23	2	ISSUED FOR TENDER
2024/08/23	1	ISSUED FOR ECA APPROVAL

THE DRAWINGS, ARRANGEMENTS, ANNOTATIONS AND GRAPHICAL PRESENTATIONS ON THIS DOCUMENT ARE THE PROPERTY OF EVB ENGINEERING WHO RETAINS OWNERSHIP AND AUTHORITY OF THIS DOCUMENT IN ITS ENTIRETY. THIS DOCUMENT IS AN INSTRUMENT OF SERVICE AND IS THE INTELLECTUAL AND PHYSICAL PROPERTY OF EVB ENGINEERING. AUTHORIZED USE OF THIS DRAWING IS GRANTED SOLELY FOR THE PURPOSE OF THIS SPECIFIC PROJECT AND LOCATION, AND NOT FOR CONSTRUCTION OR USE FOR ANY OTHER PROJECT.
COPYRIGHT © 2024 EVB ENGINEERING.



CONSULTANT:
EVB ENGINEERING
800 SECOND STREET WEST
CORNWALL, ONTARIO CANADA, K6J 1H6
TEL: 613-935-3775 | FAX: 613-935-6450
WEBSITE: EVBengineering.com

SUB-CONSULTANT:
CIMA+
Greater Napanee
CREATING FOR MANY REASONS

CLIENT:
Greater Napanee

PROJECT:
NEW NAPANEE WPCP

TITLE:
TYPICAL ELECTRICAL DETAILS

SCALE:
AS NOTED

JOB NO:
22001

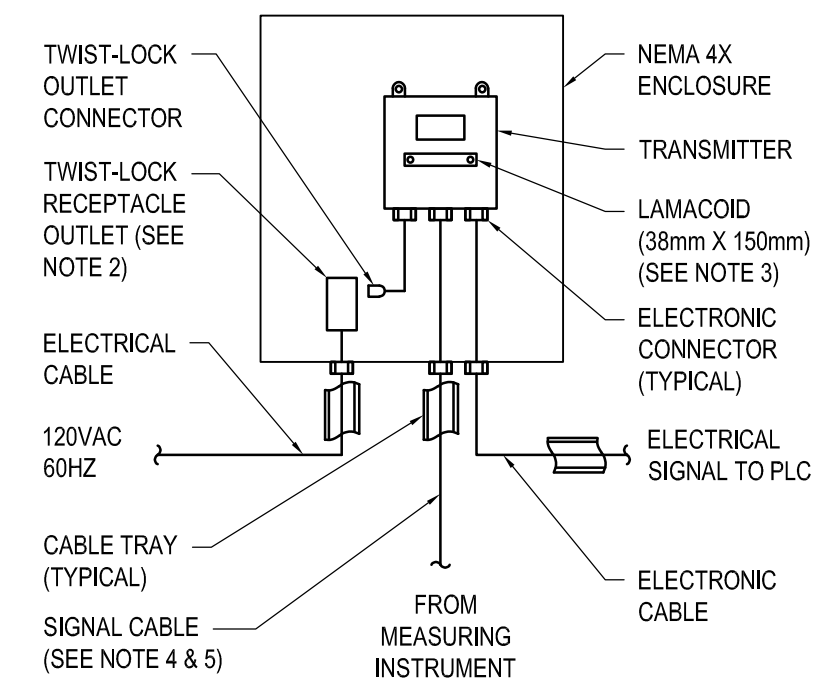
DESIGNED BY:
B.M.

DATE:
2025/01/23

DRAWN BY:
B.M.

DRAWING NO.
E0404

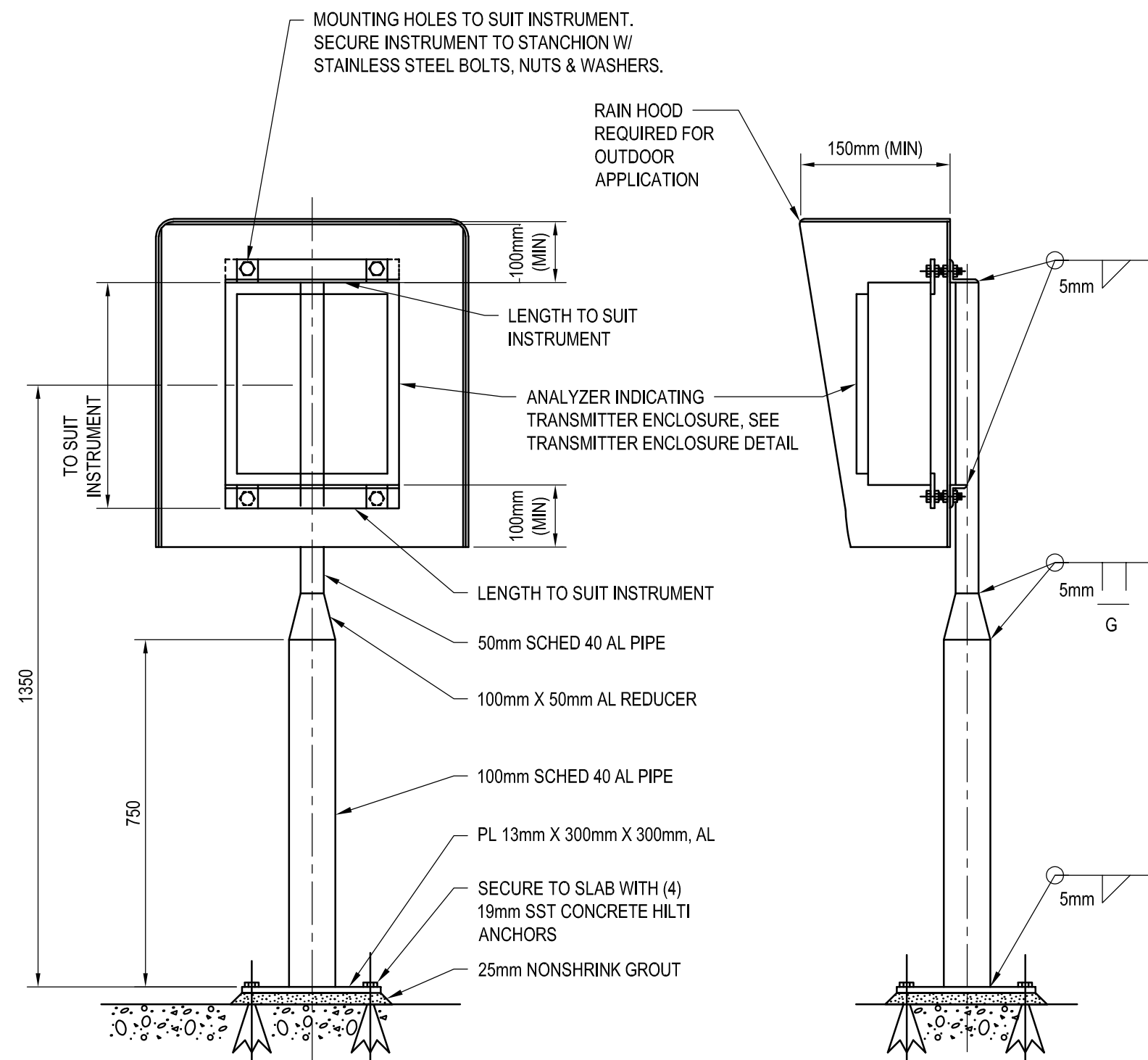
CHECKED BY:
J.S.



NOTES

1. MATERIALS SHALL CONFORM TO THOSE SPECIFIED IN THE APPROPRIATE INSTRUMENT CLASSIFICATION STANDARD.
2. POWER SUPPLY TO EACH TRANSMITTER SHALL BE FUSED SEPARATELY.
3. LAMACOID NAMEPLATE IS TO BE ENGRAVED WITH INSTRUMENT TAG NUMBER.
4. SIGNAL CABLE SHALL BE RUN IN TRAY OR CONDUIT AS SPECIFIED BY INSTRUMENT MANUFACTURER RECOMMENDATIONS.
5. ALL MATERIALS, INSTRUMENTS, ELECTRICAL CONNECTORS AND HARDWARE FOR A COMPLETE INSTALLATION ARE SUPPLIED, MOUNTED AND INSTALLED BY CONTRACTOR UNLESS OTHERWISE SPECIFIED.

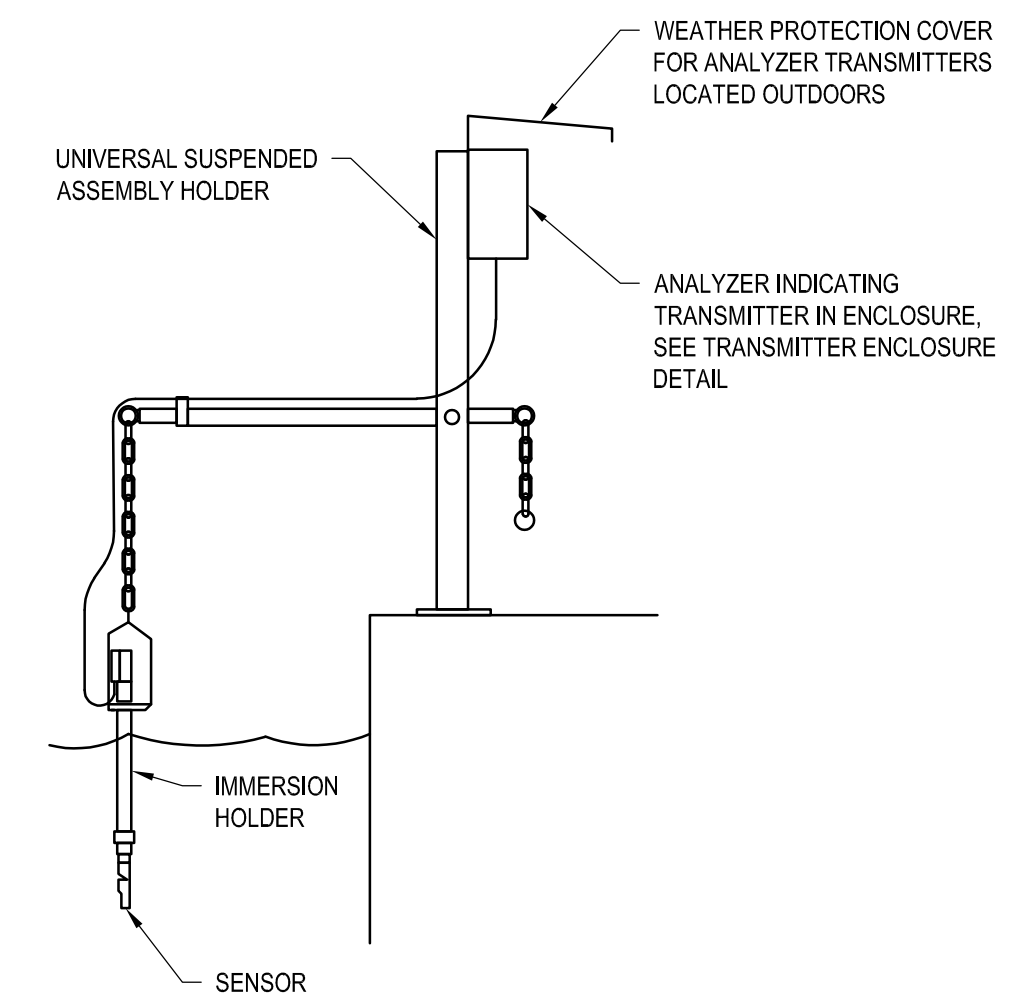
1 TRANSMITTER ENCLOSURE DETAIL
SCALE: N.T.S.



NOTES

1. ROUND OFF ALL EXPOSED EDGES AND CORNERS.
2. PAINT ALUMINUM IN CONTACT WITH CONCRETE ACCORDING TO SPECIFICATIONS FOR PAINTING.

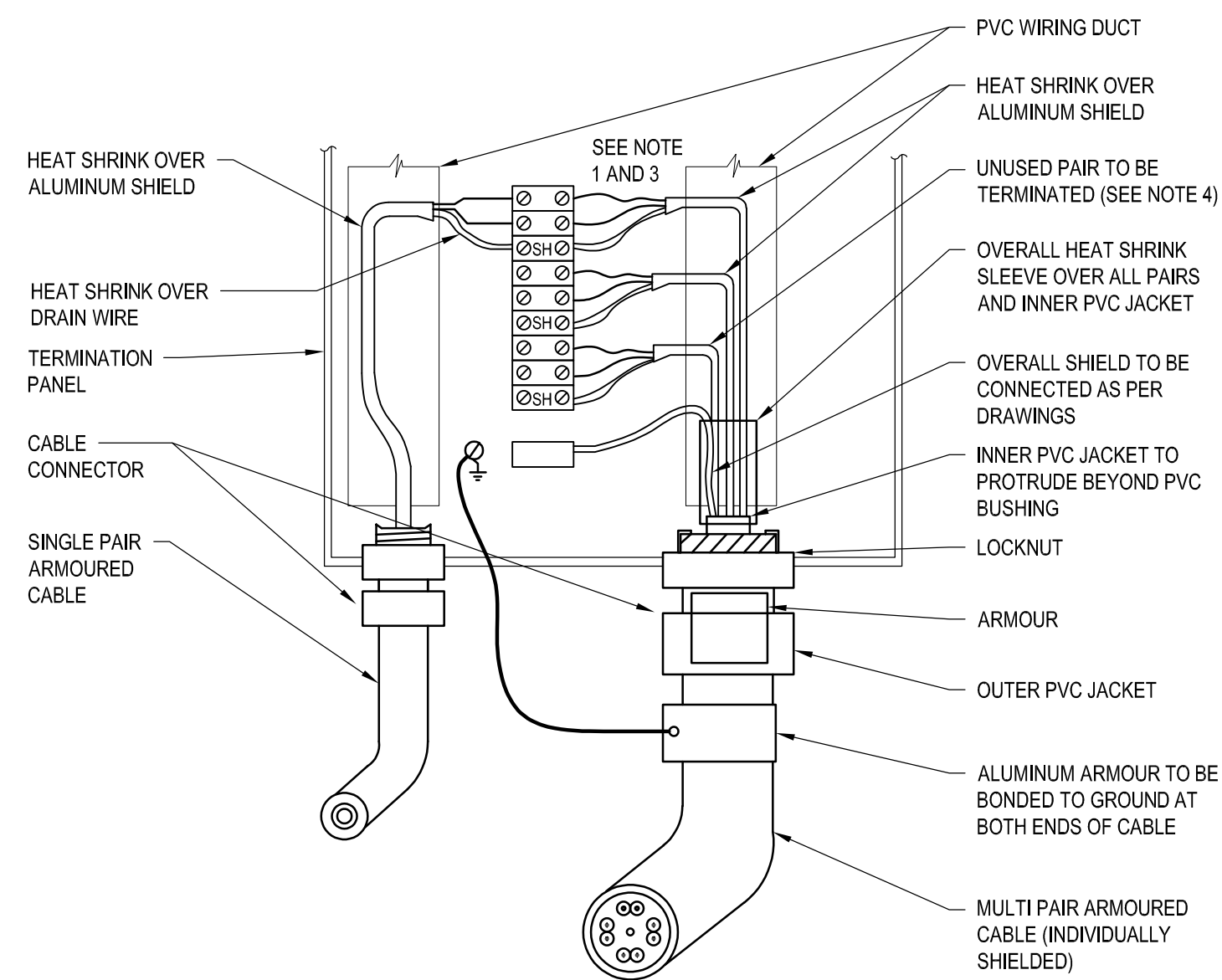
2 STANCHION SUPPORT FOR TRANSMITTER ENCLOSURE
SCALE: N.T.S.



NOTES

1. THIS DETAIL APPLIES FOR THE FOLLOWING TYPES OF INSTRUMENTATION:
 - 1.1. OXYGEN REDUCTION POTENTIAL (ORP) & ORP / TEMPERATURE COMBO
 - 1.2. DISSOLVED OXYGEN (DO) & DO / TEMPERATURE COMBO
 - 1.3. pH & pH / TEMPERATURE COMBO
 - 1.4. UV TRANSMITTANCE

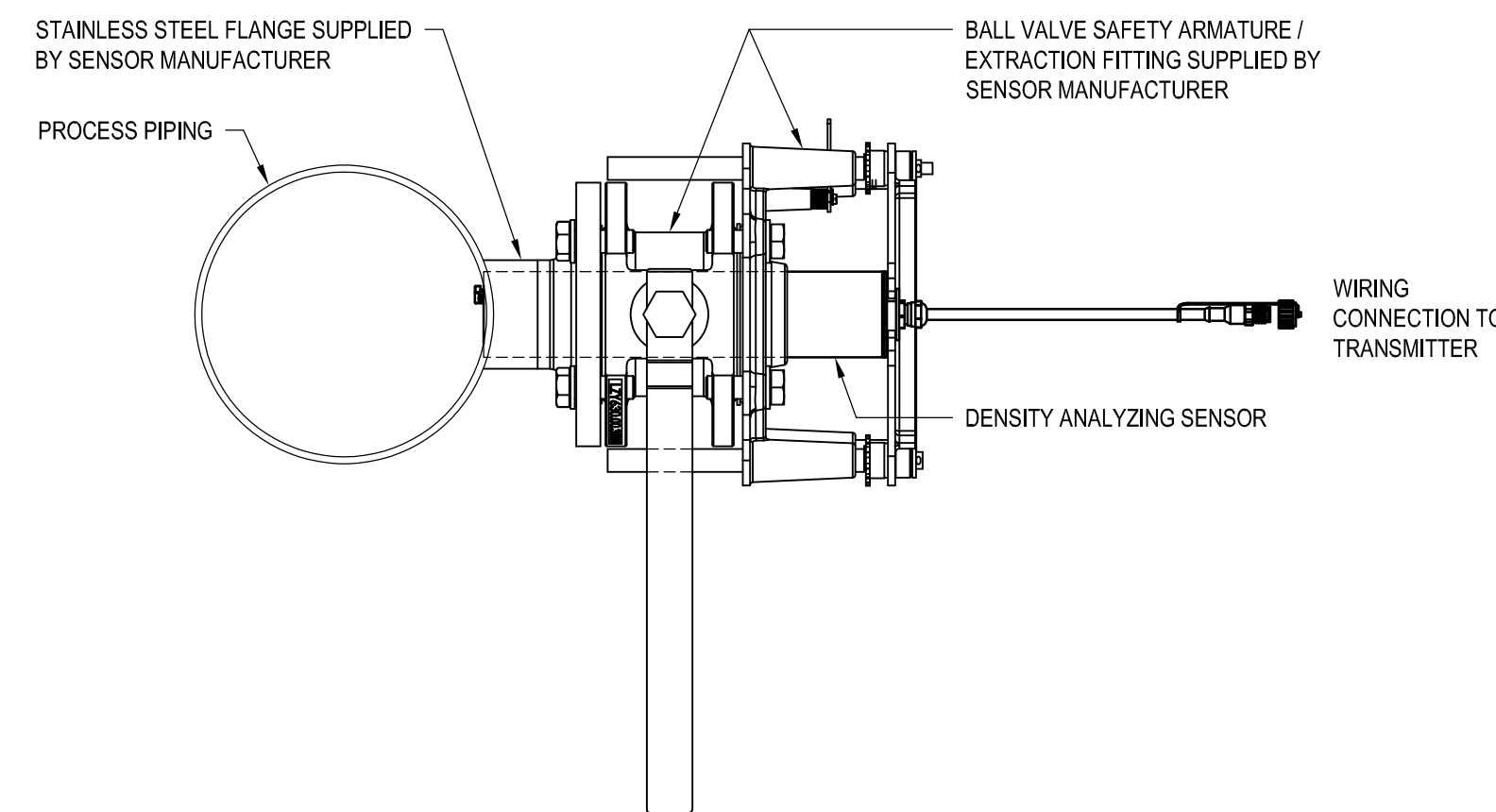
3 TYPICAL OUTDOOR ANALYZER, TANK INSTALLATION
SCALE: N.T.S.



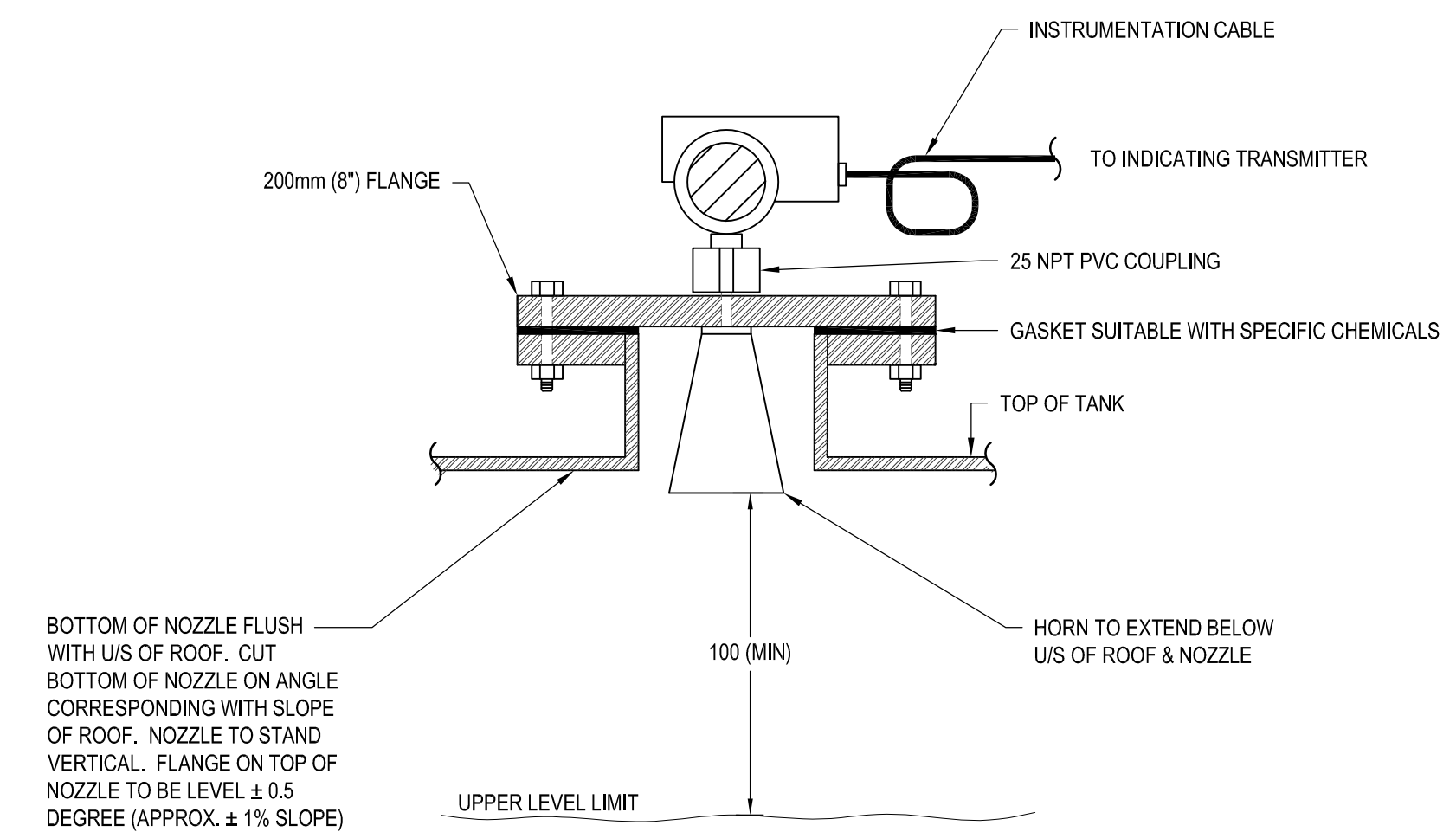
NOTES

1. OBSERVE POLARITY, BLACK FOR POSITIVE AND WHITE FOR NEGATIVE.
2. DRAIN WIRE TO BE GROUNDED AT ONE POINT ONLY (PLC ENCLOSURE).
3. WIRES (INCLUDING DRAIN WIRE) TO BE TERMINATED WITH INSULATED FERRULES.
4. UNUSED WIRES TO BE TERMINATED WITHOUT INSULATED FERRULES.
5. WIRE LABELS REQUIRED AS PER SPEC.

4 ARMoured INSTRUMENT CABLES INSTALLATION IN TERMINAL BOX
SCALE: N.T.S.



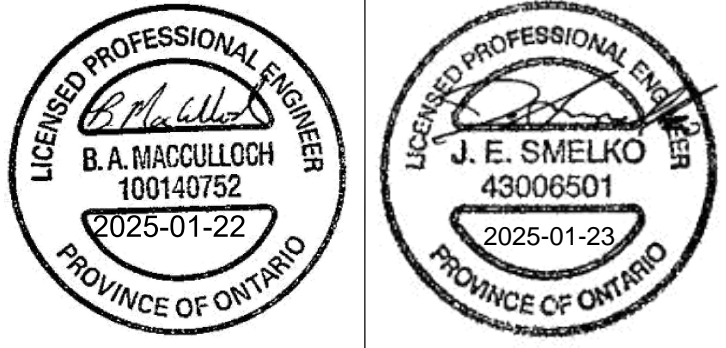
5 TYPICAL DENSITY ANALYZER INSTALLATION
SCALE: N.T.S.



6 TYPICAL RADAR LEVEL SENSOR INSTALLATION
SCALE: N.T.S.

DATE	No.	REVISION
2025/01/23	2	ISSUED FOR TENDER
2024/08/23	1	ISSUED FOR ECA APPROVAL

THE DRAWINGS, ARRANGEMENTS, ANNOTATIONS AND GRAPHICAL PRESENTATIONS ON THIS DOCUMENT ARE THE PROPERTY OF EVB ENGINEERING WHO RETAINS OWNERSHIP AND AUTHORITY OF THIS DOCUMENT IN ITS ENTIRETY. THIS DOCUMENT IS AN INSTRUMENT OF SERVICE AND IS THE INTELLECTUAL AND PHYSICAL PROPERTY OF EVB ENGINEERING. AUTHORIZED USE OF THIS DRAWING IS GRANTED SOLELY FOR THE PURPOSE OF THIS SPECIFIC PROJECT AND LOCATION, AND NOT FOR CONSTRUCTION OR USE FOR ANY OTHER PROJECT. COPYRIGHT © 2024 EVB ENGINEERING.



CONSULTANT:
EVB ENGINEERING
 800 SECOND STREET WEST
 CORNWALL, ONTARIO CANADA, K6J 1H6
 TEL: 613-935-3775 | FAX: 613-935-6450
 WEBSITE: EVBengineering.com

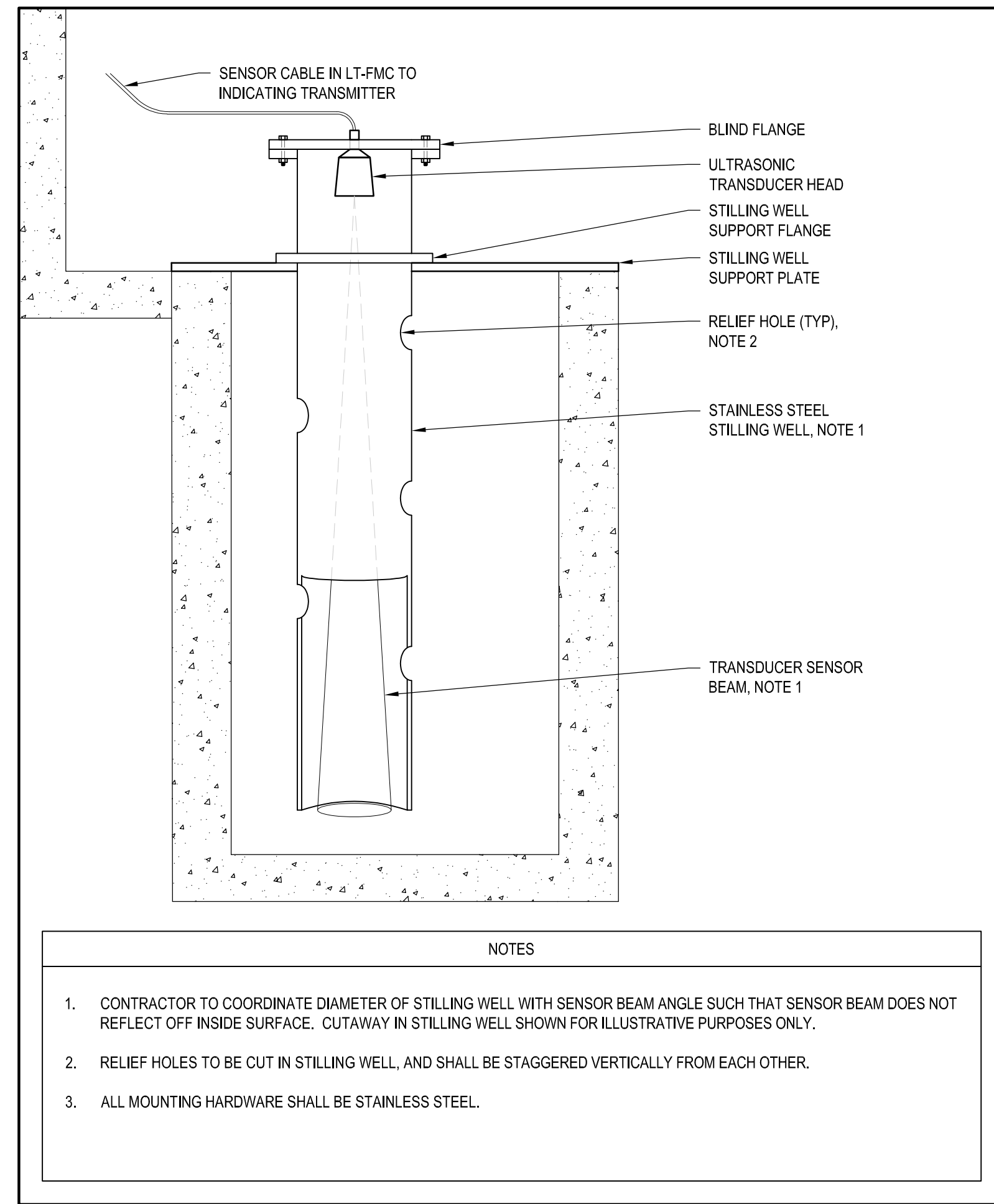
SUB-CONSULTANT:
CIMA+
 Greater Napanee
 Greater for Many Reasons

CLIENT:
NEW NAPANEE WPCP

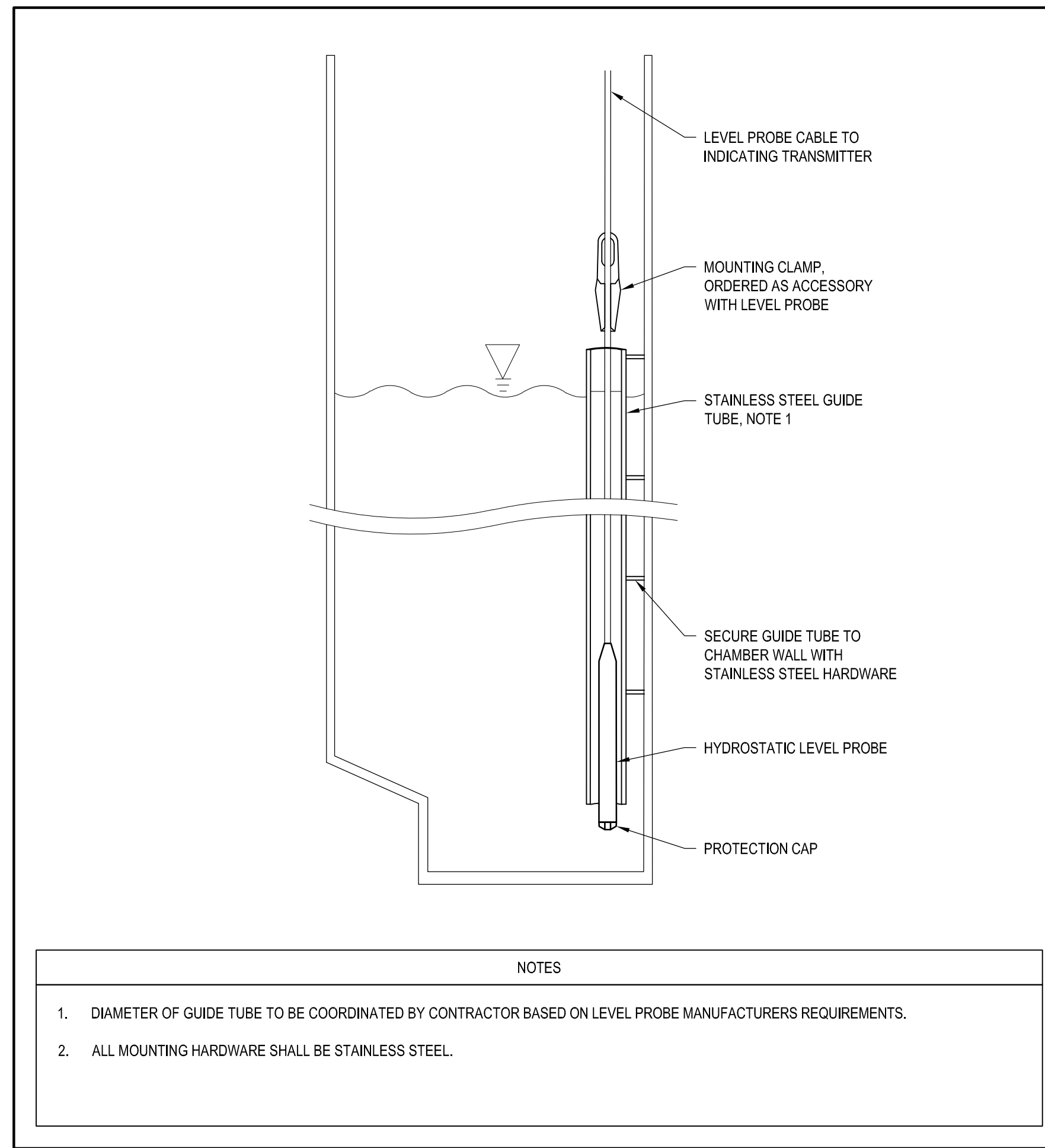
TITLE:
TYPICAL ELECTRICAL DETAILS

SCALE: AS NOTED	JOB NO: 22001
DESIGNED BY: B.M.	DATE: 2025/01/23
DRAWN BY: B.M.	DRAWING NO. E0405
CHECKED BY: J.S.	

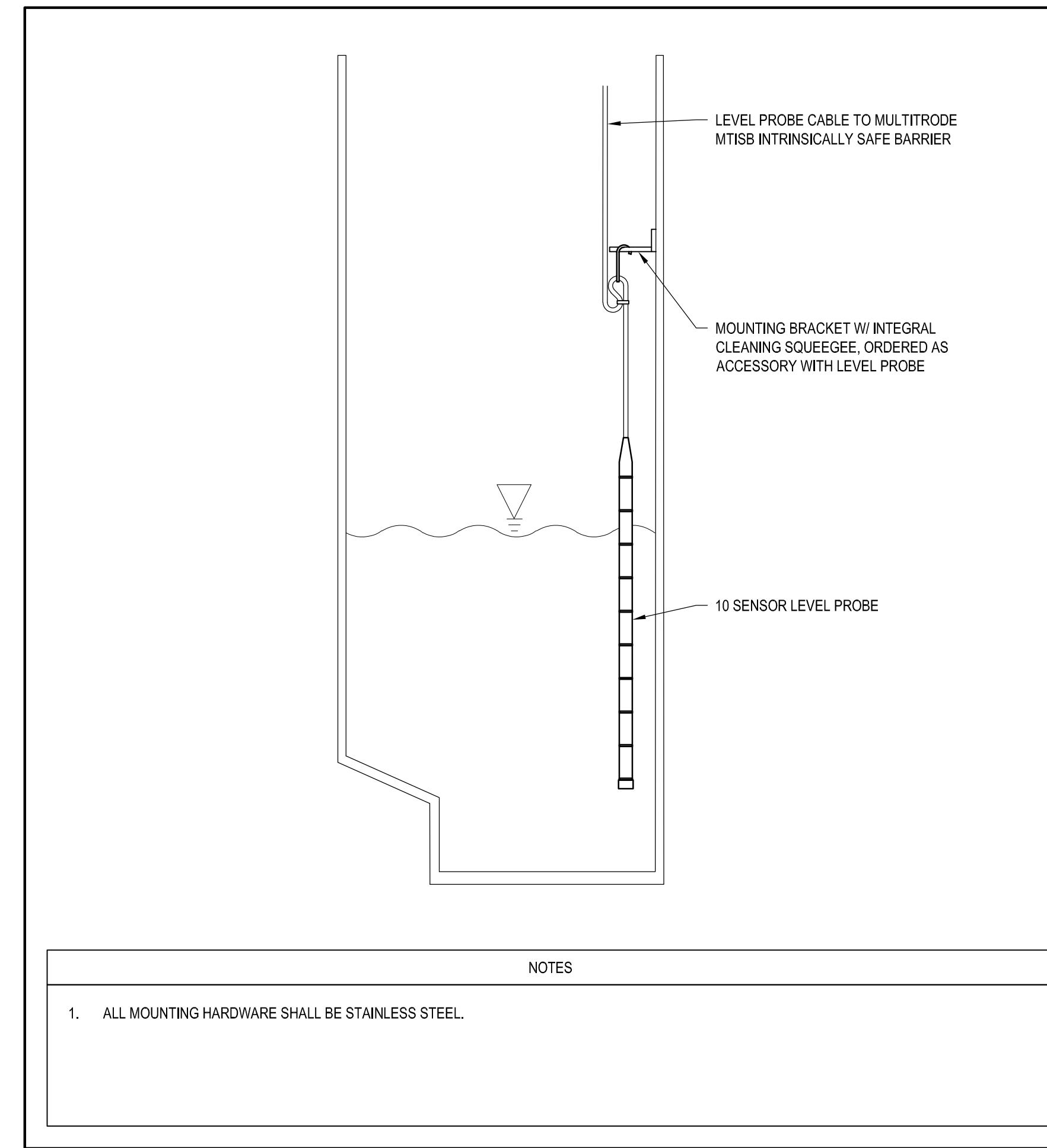
M:\2022\22001 - Napanee WPCP Upgrade\6.0 Drawings - WPCP\6.0 ELEC\22001 E0405 Typical Instrumentation Details.dwg Jun 16, 2024 4:25pm B (Yamad.mosak@evb.com)



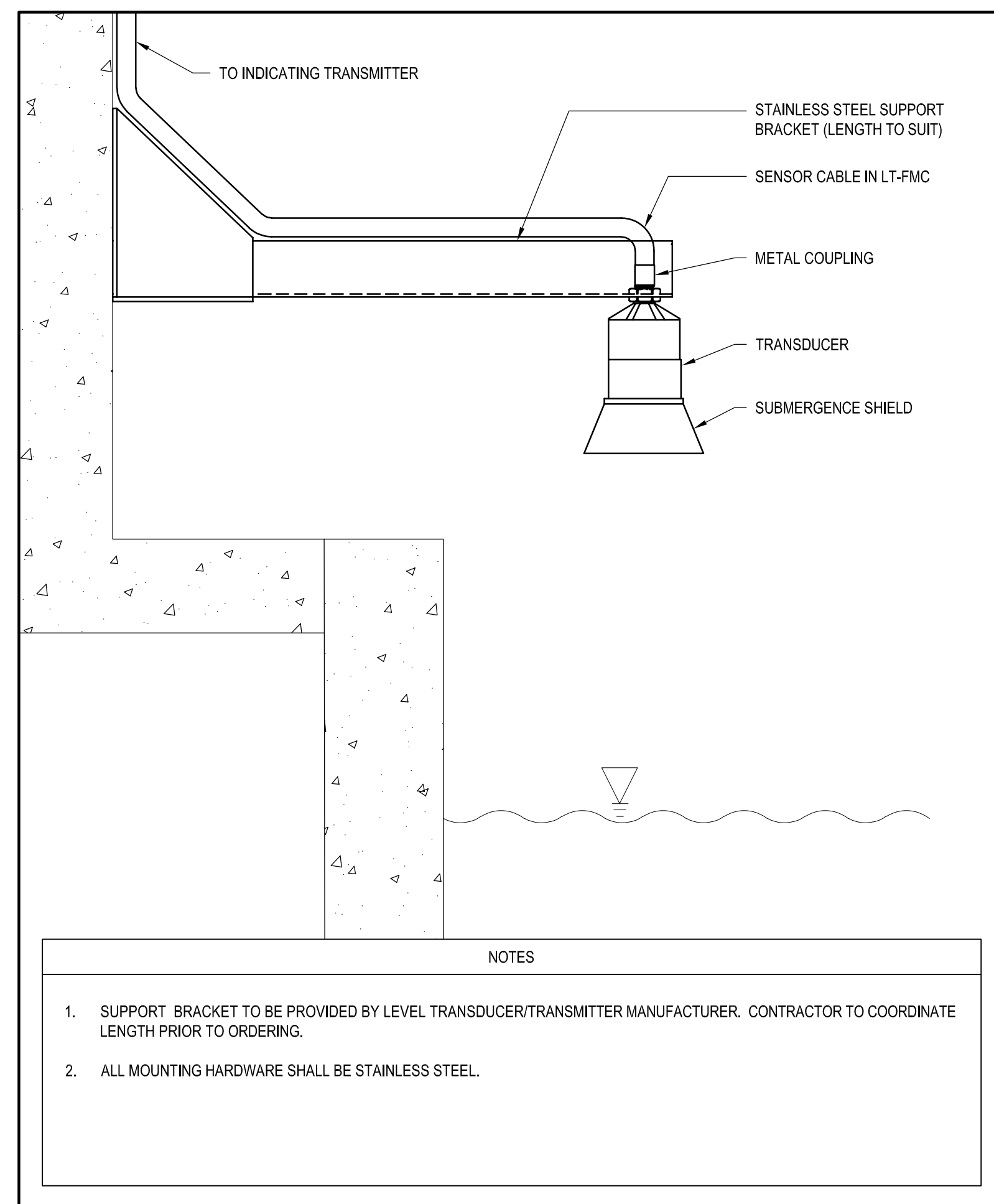
1 TYPICAL LEVEL SENSOR W/ STILLING WELL INSTALLATION
SCALE: N.T.S.



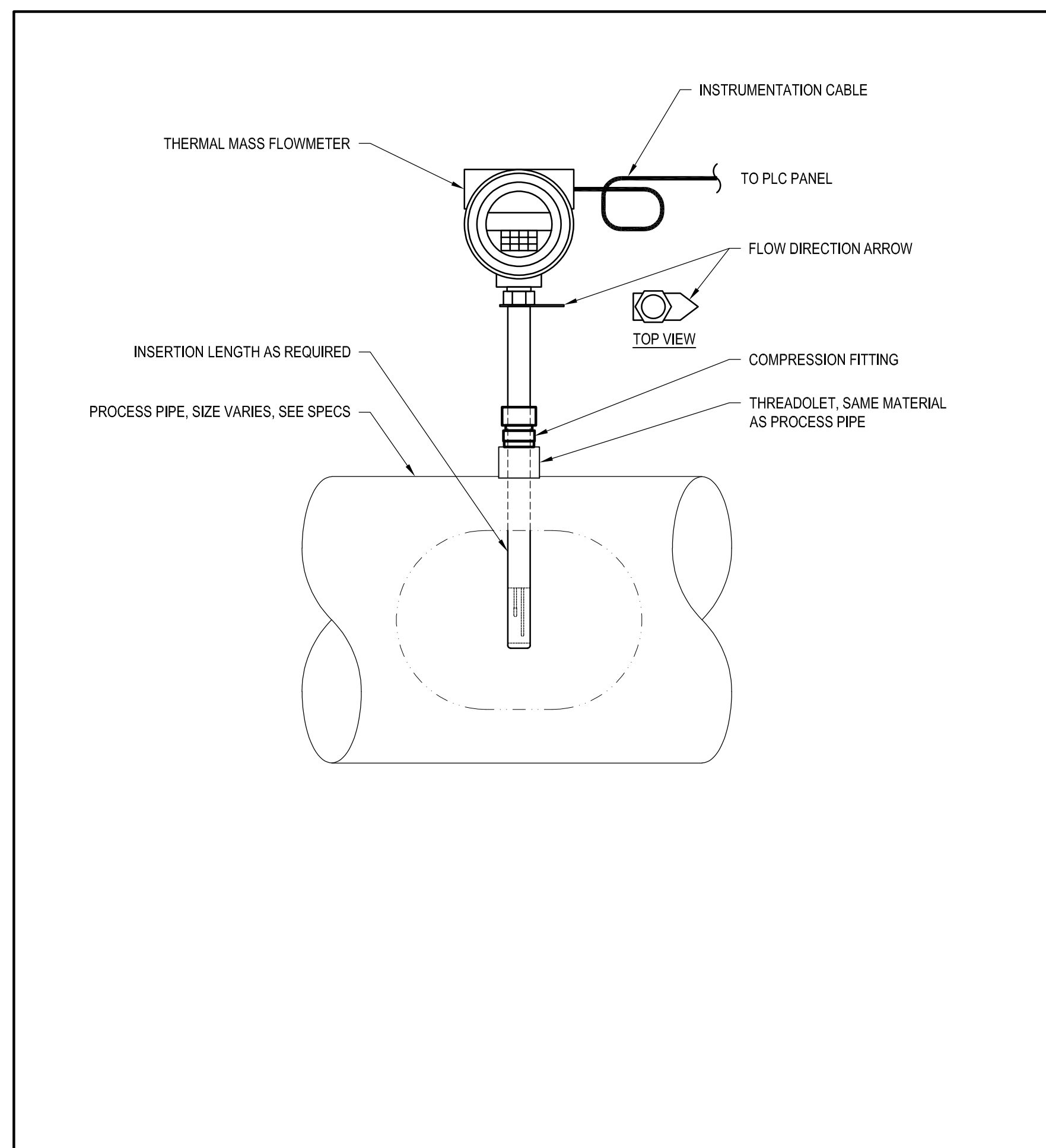
2 TYPICAL HYDROSTATIC LEVEL SENSOR INSTALLATION
SCALE: N.T.S.



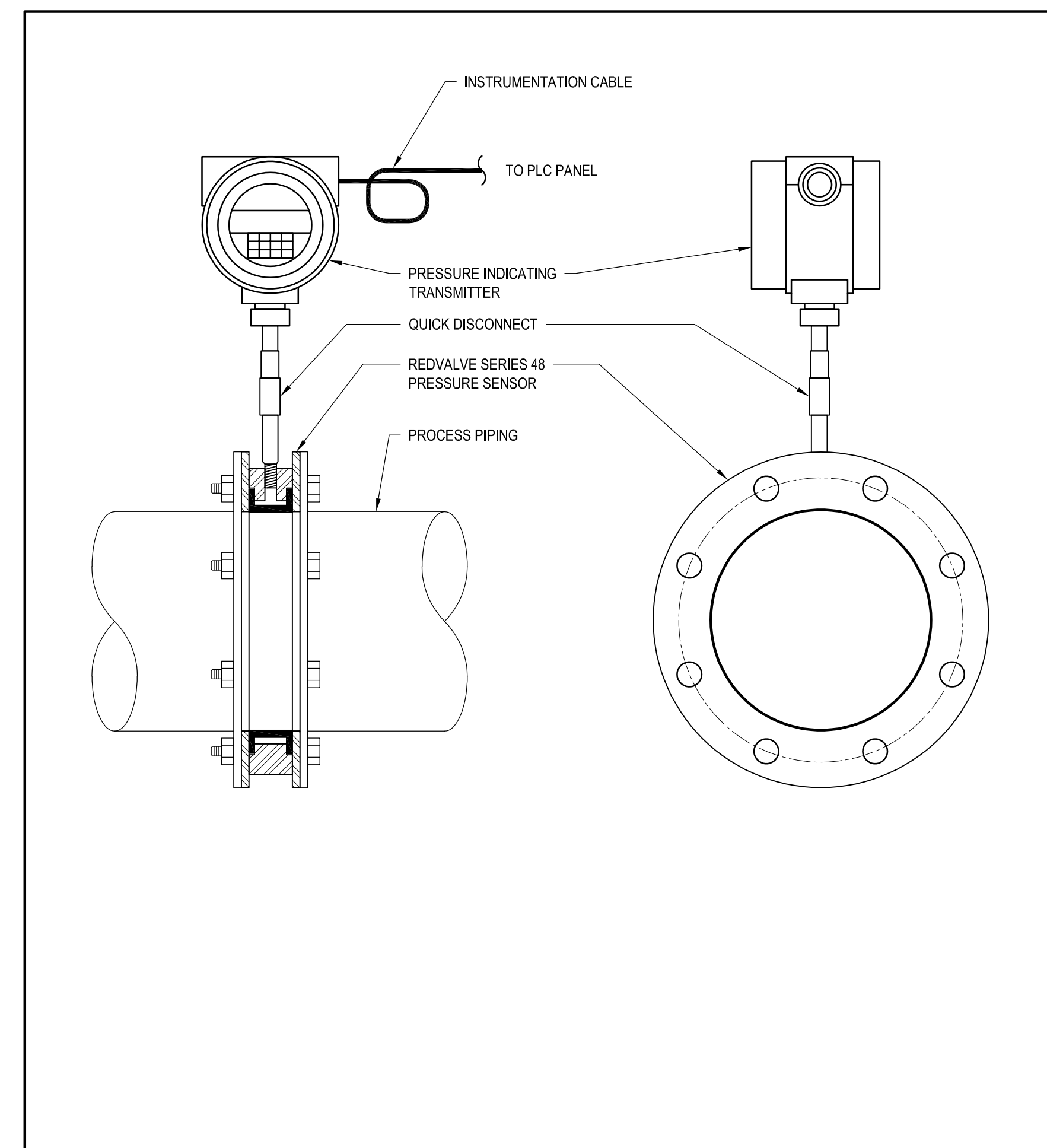
3 TYPICAL MULTITRODE LEVEL PROBE INSTALLATION
SCALE: N.T.S.



4 TYPICAL ULTRASONIC LEVEL SENSOR INSTALLATION
SCALE: N.T.S.



5 TYPICAL THERMAL MASS FLOWMETER INSTALLATION
SCALE: N.T.S.



6 TYPICAL PRESSURE TRANSDUCER INSTALLATION
SCALE: N.T.S.

DATE	No.	REVISION
2025/01/23	2	ISSUED FOR TENDER
2024/08/23	1	ISSUED FOR ECA APPROVAL

THE DRAWINGS, ARRANGEMENTS, ANNOTATIONS AND GRAPHICAL PRESENTATIONS ON THIS DOCUMENT ARE THE PROPERTY OF EVB ENGINEERING WHO RETAINS OWNERSHIP AND AUTHORITY OF THIS DOCUMENT IN ITS ENTIRETY. THIS DOCUMENT IS AN INSTRUMENT OF SERVICE AND IS THE INTELLECTUAL AND PHYSICAL PROPERTY OF EVB ENGINEERING. AUTHORIZED USE OF THIS DRAWING IS GRANTED SOLELY FOR THE PURPOSE OF THIS SPECIFIC PROJECT AND LOCATION, AND NOT FOR CONSTRUCTION OR USE FOR ANY OTHER PROJECT.
COPYRIGHT © 2024 EVB ENGINEERING

CONSULTANT:

EVB ENGINEERING
800 SECOND STREET WEST
CORNWALL, ONTARIO CANADA, K6J 1H6
TEL: 613-935-3775 | FAX: 613-935-6450
WEBSITE: EVBengineering.com

SUB-CONSULTANT:

CIMA+

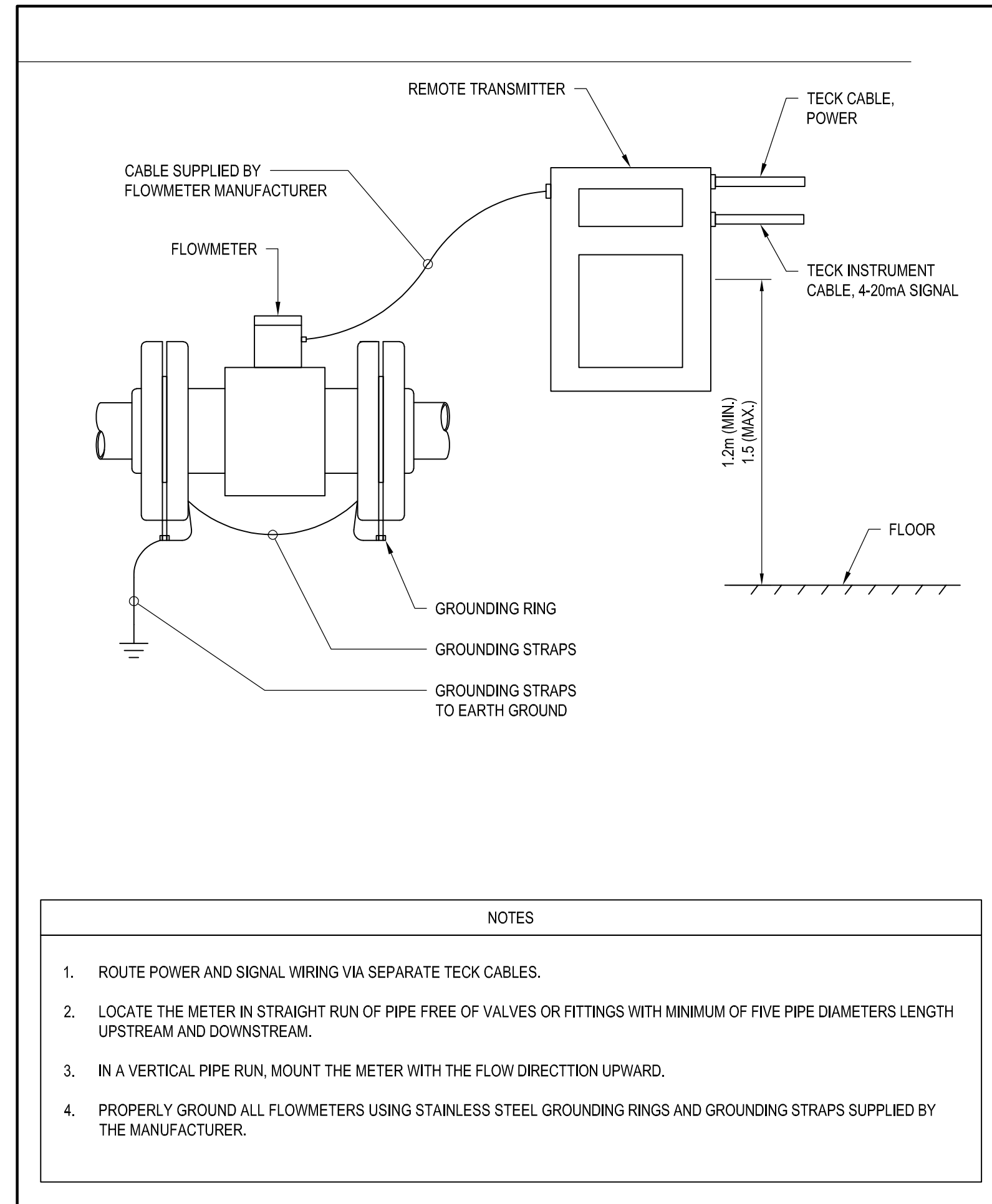
Greater Napanee
CREATING FOR MANY REASONS

PROJECT:
NEW NAPANEE WPCP

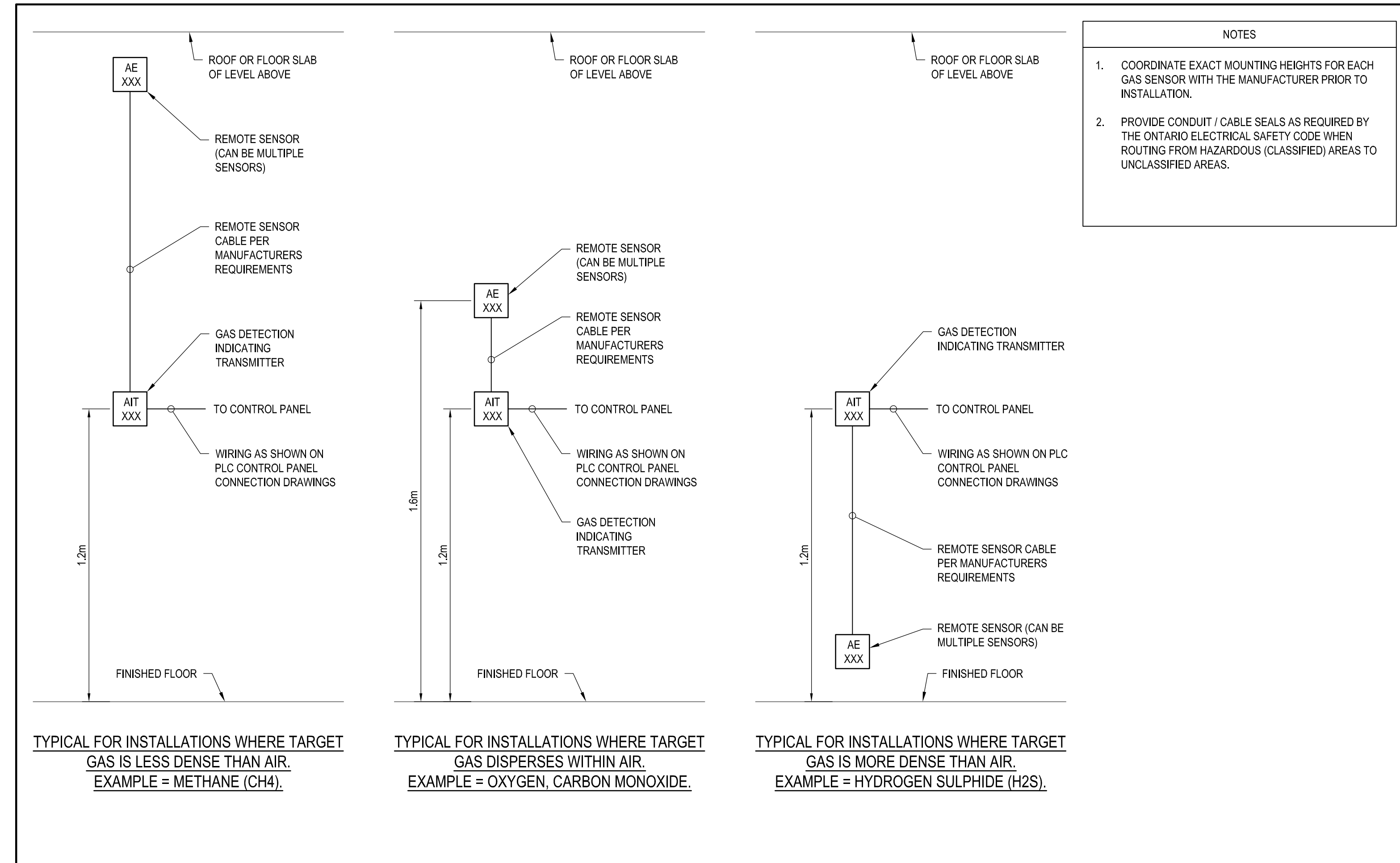
TITLE:
TYPICAL ELECTRICAL DETAILS

SCALE: AS NOTED	JOB NO: 22001
DESIGNED BY: B.M.	DATE: 2025/01/23
DRAWN BY: B.M.	DRAWING NO. E0406
CHECKED BY: J.S.	

M:\2025\22001 - Napanee WPCP - Upgrade\6.0 Draw - WPCP\6.0 ELEC\22001 E0406 Typical Installation Detailing.dwg - Jun 16, 2025 - 4:25pm by (Yamad.mosabeh)



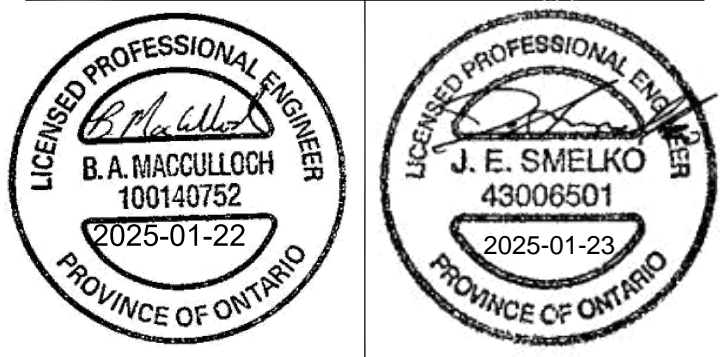
1 TYPICAL MAGNETIC FLOWMETER INSTALLATION
SCALE: N.T.S.



2 GAS MONITOR MOUNTING DETAILS
SCALE: N.T.S.

DATE	No.	REVISION
2025/01/23	2	ISSUED FOR TENDER
2024/08/23	1	ISSUED FOR ECA APPROVAL

THE DRAWINGS, ARRANGEMENTS, ANNOTATIONS AND GRAPHICAL PRESENTATIONS ON THIS DOCUMENT ARE THE PROPERTY OF EVB ENGINEERING WHO RETAINS OWNERSHIP AND AUTHORITY OF THIS DOCUMENT IN ITS ENTIRETY. THIS DOCUMENT IS AN INSTRUMENT OF SERVICE AND IS THE INTELLECTUAL AND PHYSICAL PROPERTY OF EVB ENGINEERING. AUTHORIZED USE OF THIS DRAWING IS GRANTED SOLELY FOR THE PURPOSE OF THIS SPECIFIC PROJECT AND LOCATION, AND NOT FOR CONSTRUCTION OR USE FOR ANY OTHER PROJECT. COPYRIGHT © 2024 EVB ENGINEERING.



CONSULTANT:
EVB ENGINEERING
 800 SECOND STREET WEST
 CORNWALL, ONTARIO CANADA, K6J 1H6
 TEL: 613-935-3775 | FAX: 613-935-6450
 WEBSITE: EVBengineering.com

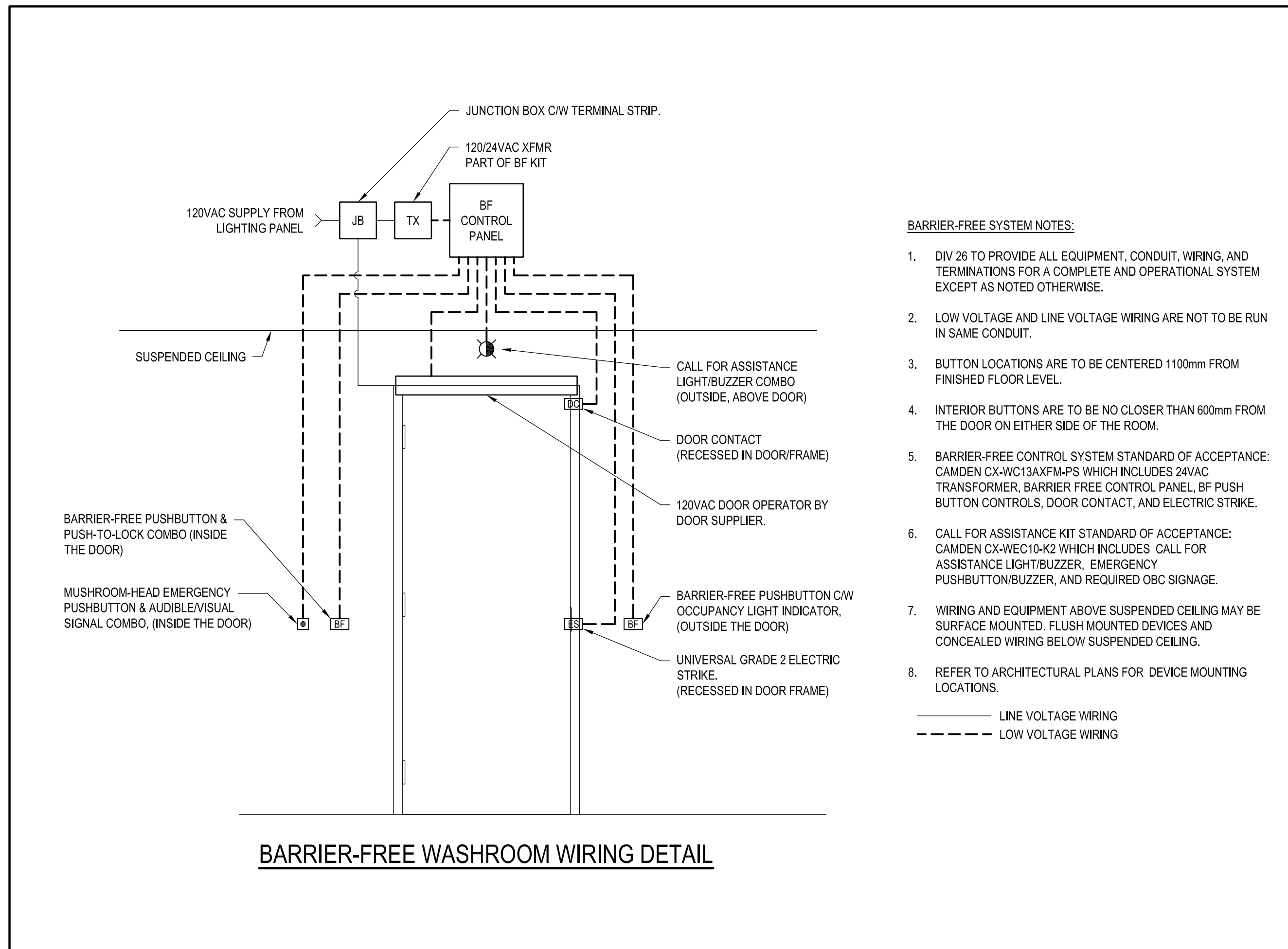


CLIENT:
Greater Napanee
 DELIVERING FOR MANY REASONS

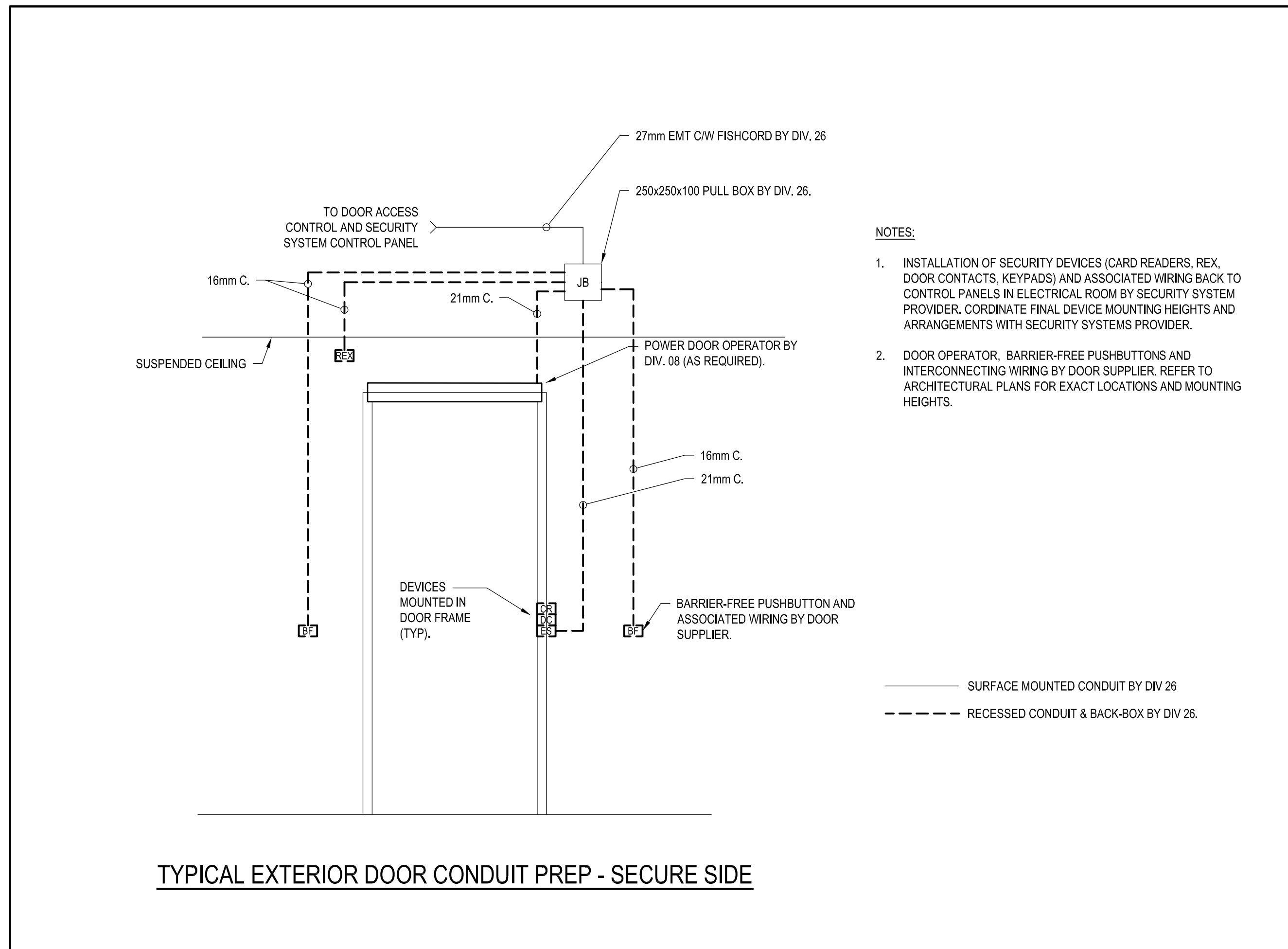
PROJECT:
NEW NAPANEE WPCP

TITLE:
TYPICAL ELECTRICAL DETAILS

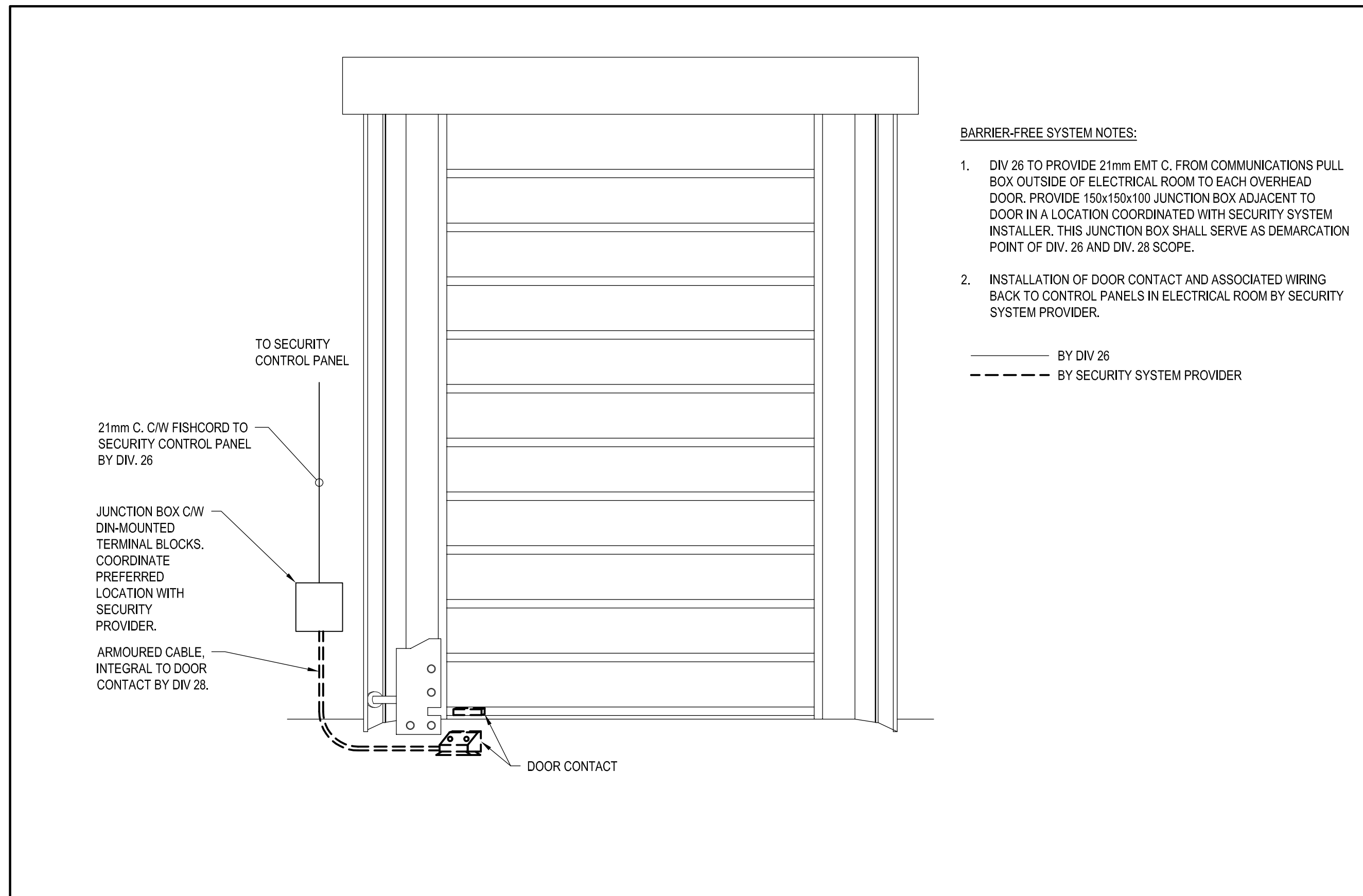
SCALE: AS NOTED	JOB NO: 22001
DESIGNED BY: B.M.	DATE: 2025/01/23
DRAWN BY: B.M.	DRAWING NO. E0407
CHECKED BY: J.S.	



2 BARRIER-FREE WASHROOM WIRING DIAGRAM
 E3.1 SCALE: N.T.S.



2 SECURITY WIRING - SINGLE EXTERIOR DOOR
 E3.2 SCALE: N.T.S.



3 SECURITY WIRING - OVERHEAD DOOR
 E3.2 SCALE: N.T.S.

DATE	No.	REVISION
2025/01/23	2	ISSUED FOR TENDER
2024/08/23	1	ISSUED FOR ECA APPROVAL

THE DRAWINGS, ARRANGEMENTS, ANNOTATIONS AND GRAPHICAL PRESENTATIONS ON THIS DOCUMENT ARE THE PROPERTY OF EVB ENGINEERING WHO RETAINS OWNERSHIP AND AUTHORITY OF THIS DOCUMENT IN ITS ENTIRETY. THIS DOCUMENT IS AN INSTRUMENT OF SERVICE AND IS THE INTELLECTUAL AND PHYSICAL PROPERTY OF EVB ENGINEERING. AUTHORIZED USE OF THIS DRAWING IS GRANTED SOLELY FOR THE PURPOSE OF THIS SPECIFIC PROJECT AND LOCATION, AND NOT FOR CONSTRUCTION OR USE FOR ANY OTHER PROJECT.
 COPYRIGHT © 2024 EVB ENGINEERING.



CONSULTANT:
EVB ENGINEERING
 800 SECOND STREET WEST
 CORNWALL, ONTARIO CANADA, K6J 1H6
 TEL: 613-935-3775 | FAX: 613-935-6450
 WEBSITE: EVBengineering.com



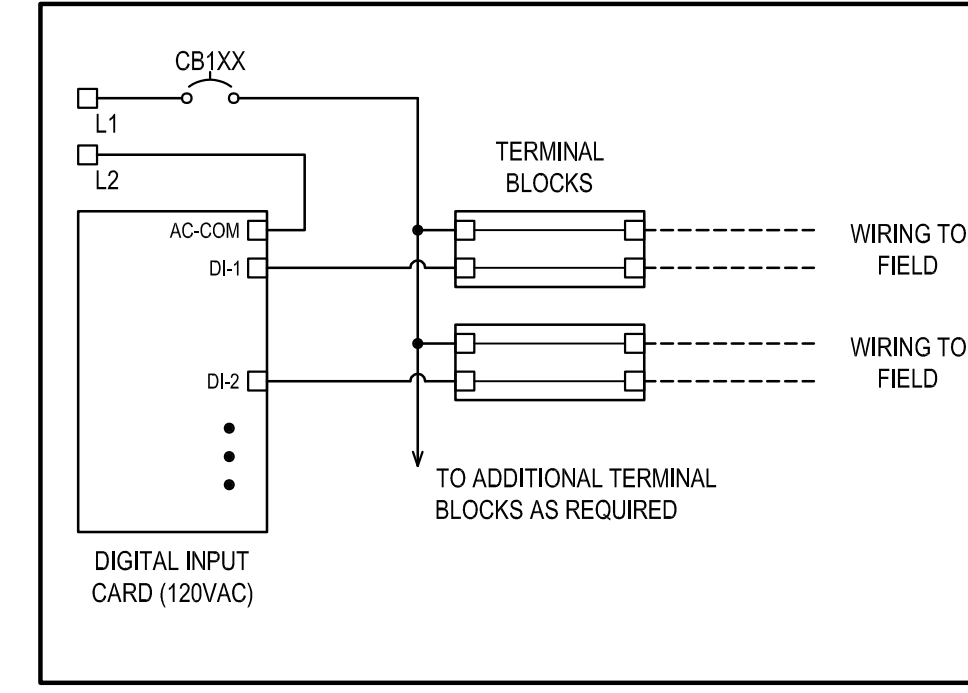
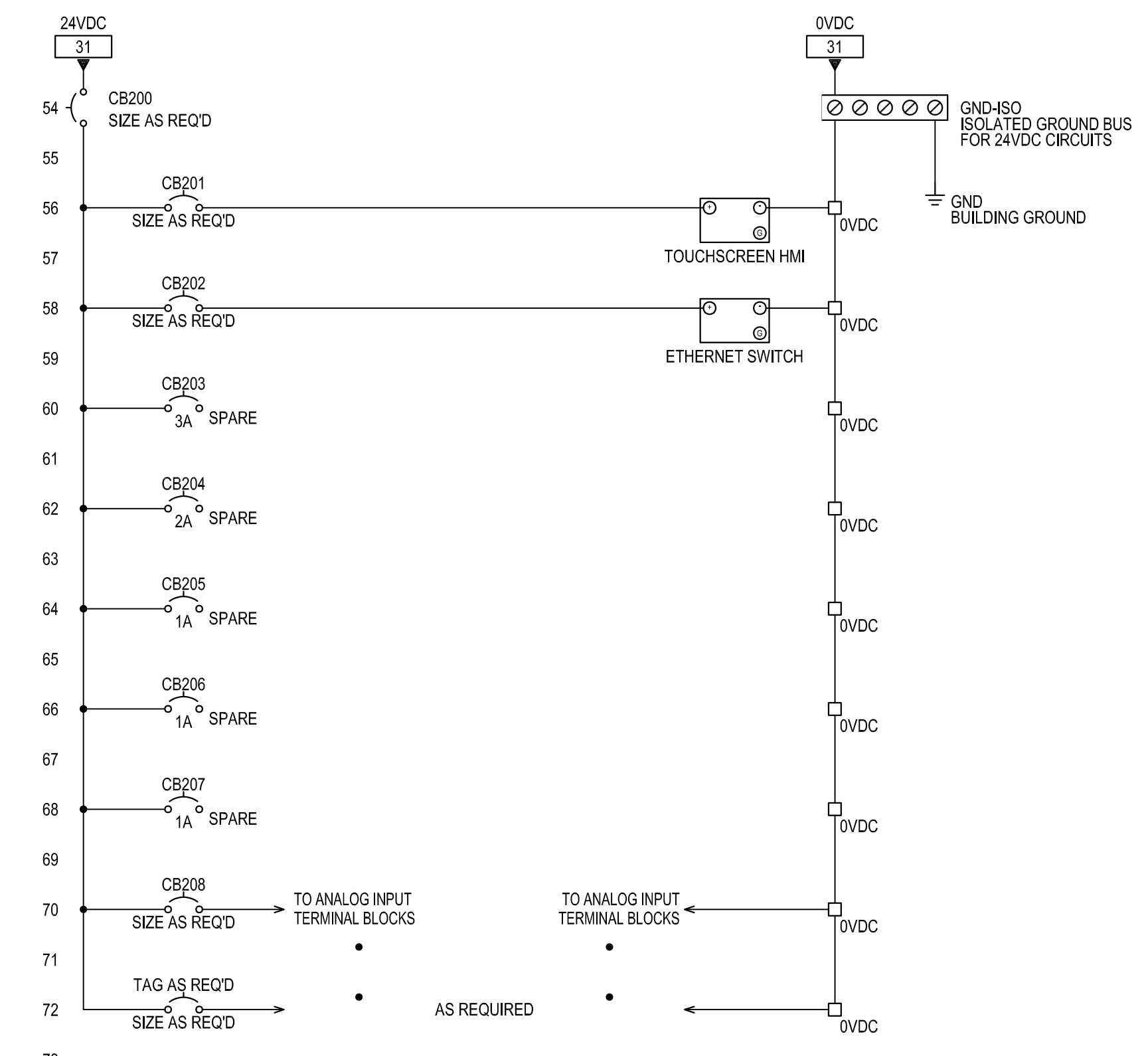
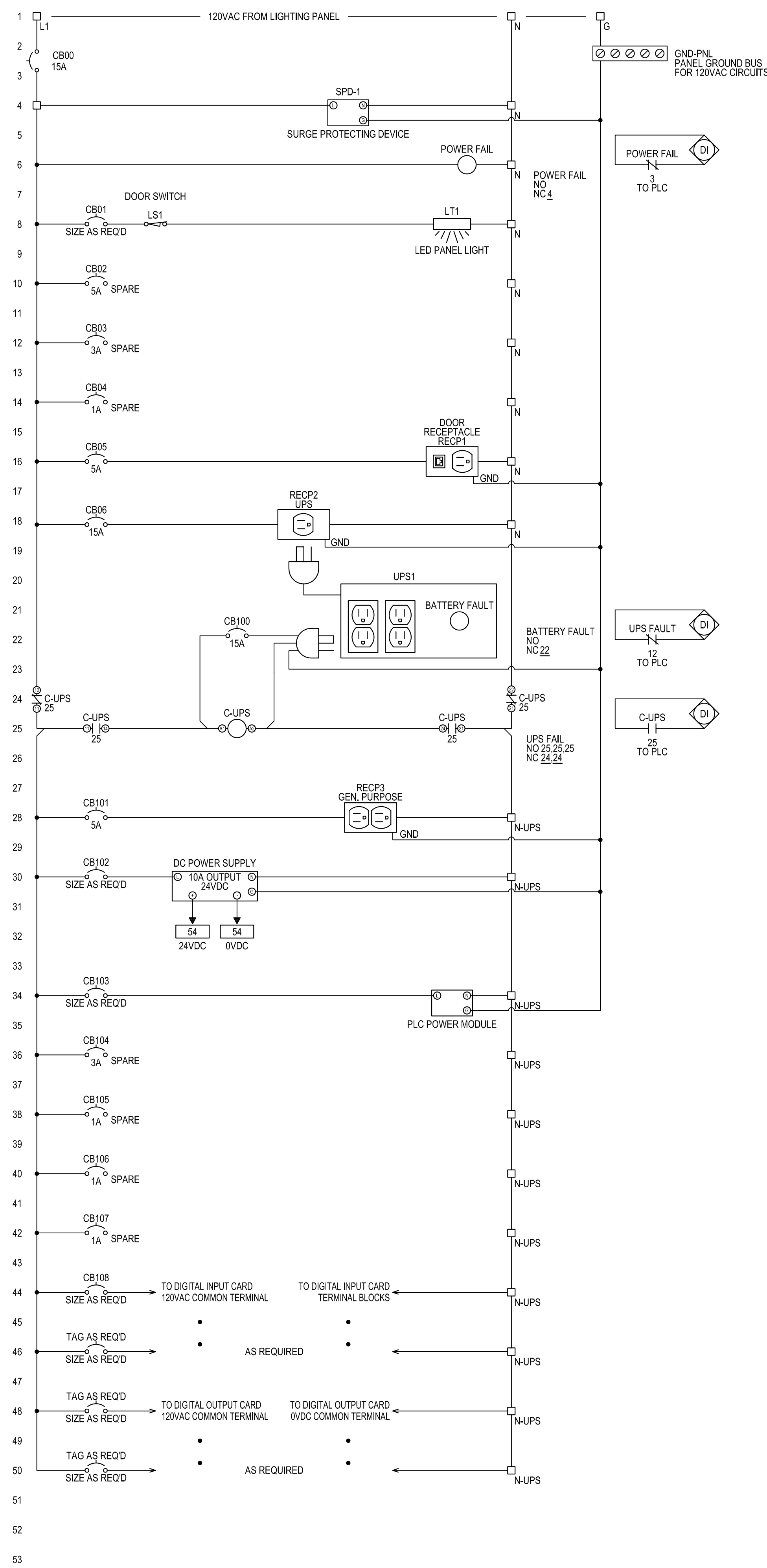
CLIENT:
Greater Napanee
 Greater for many reasons

PROJECT:
NEW NAPANEE WPCP

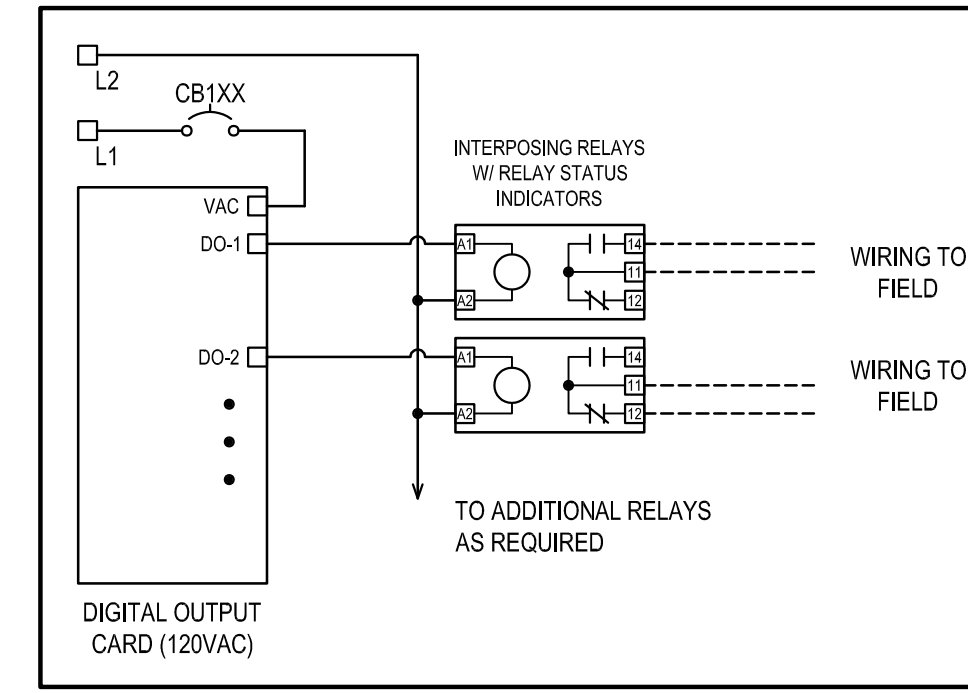
TITLE:
TYPICAL ELECTRICAL DETAILS

SCALE: AS NOTED	JOB NO: 22001
DESIGNED BY: B.M.	DATE: 2025/01/23
DRAWN BY: B.M.	DRAWING NO. E0408
CHECKED BY: J.S.	

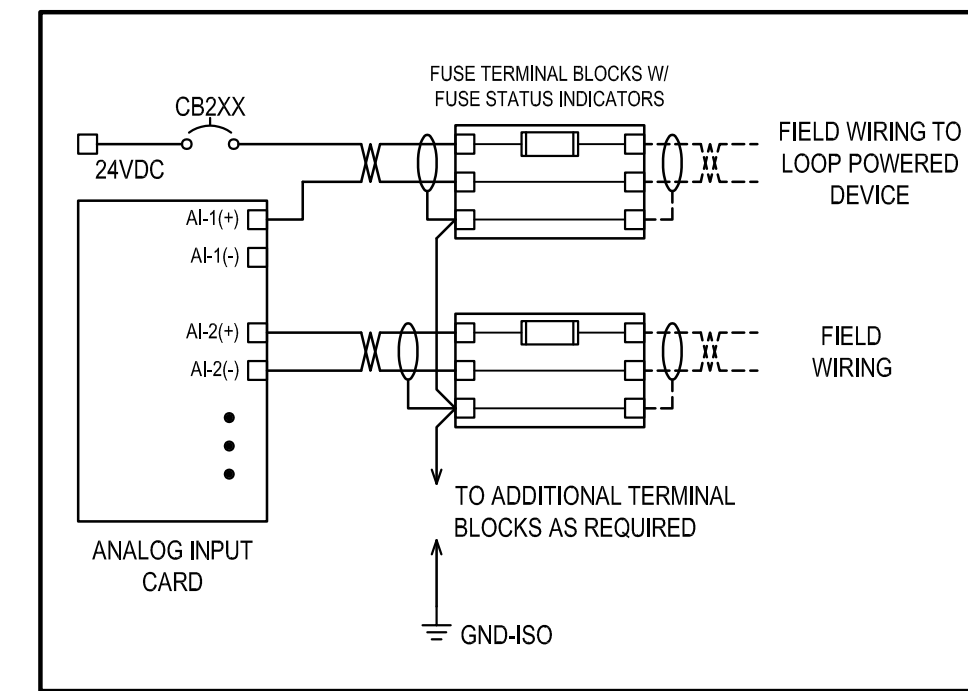
M:\2025\22001 - Napanee WPCP - Progress\E3.Dwg - WPCP\9.6.Elec\22001-EGM01 Typical Installation Detailing.dwg Jun 16, 2025 4:26pm B (Yamad.mosakoh)



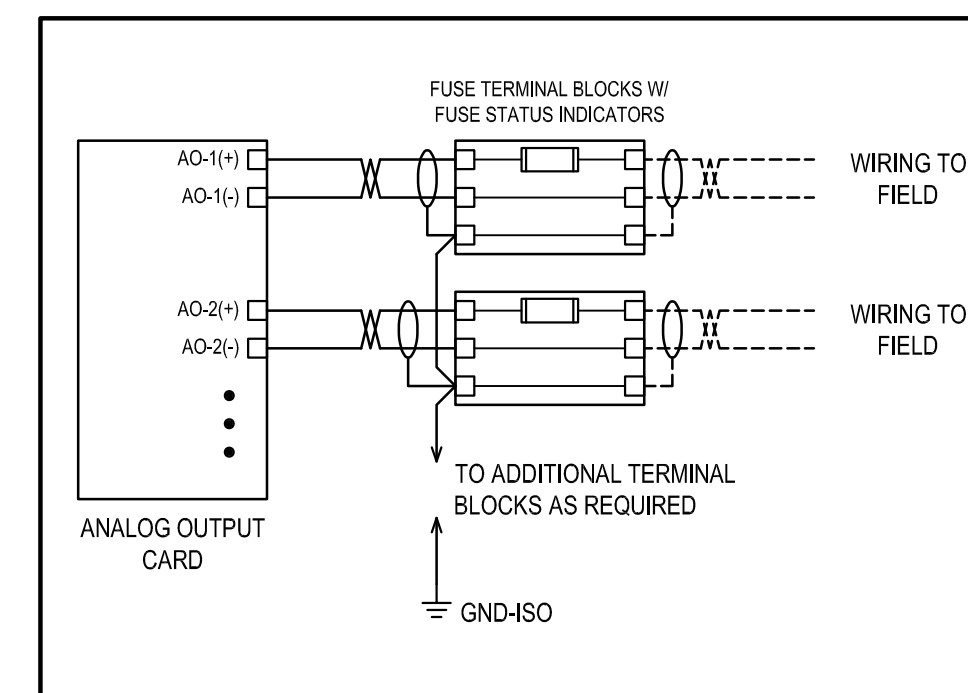
TYPICAL DIGITAL INPUT WIRING



TYPICAL DIGITAL OUTPUT WIRING

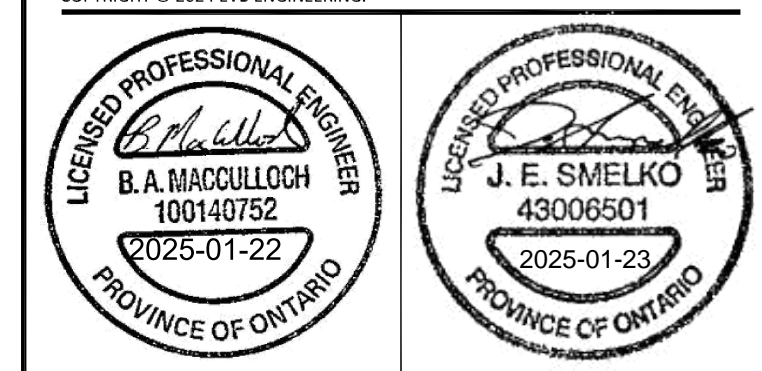


TYPICAL ANALOG INPUT WIRING



TYPICAL ANALOG OUTPUT WIRING

DATE	No.	REVISION
2025/01/23	2	ISSUED FOR TENDER
2024/08/23	1	ISSUED FOR ECA APPROVAL



CONSULTANT:

EVB ENGINEERING

800 SECOND STREET WEST
CORNWALL, ONTARIO CANADA, K6J 1H6
TEL: 613-935-3775 | FAX: 613-935-6450
WEBSITE: EVBengineering.com

SUB-CONSULTANT:

CIMA+

CLIENT:

Greater Napanee
GREATER FOR MANY REASONS

PROJECT:

NEW NAPANEE WPCP

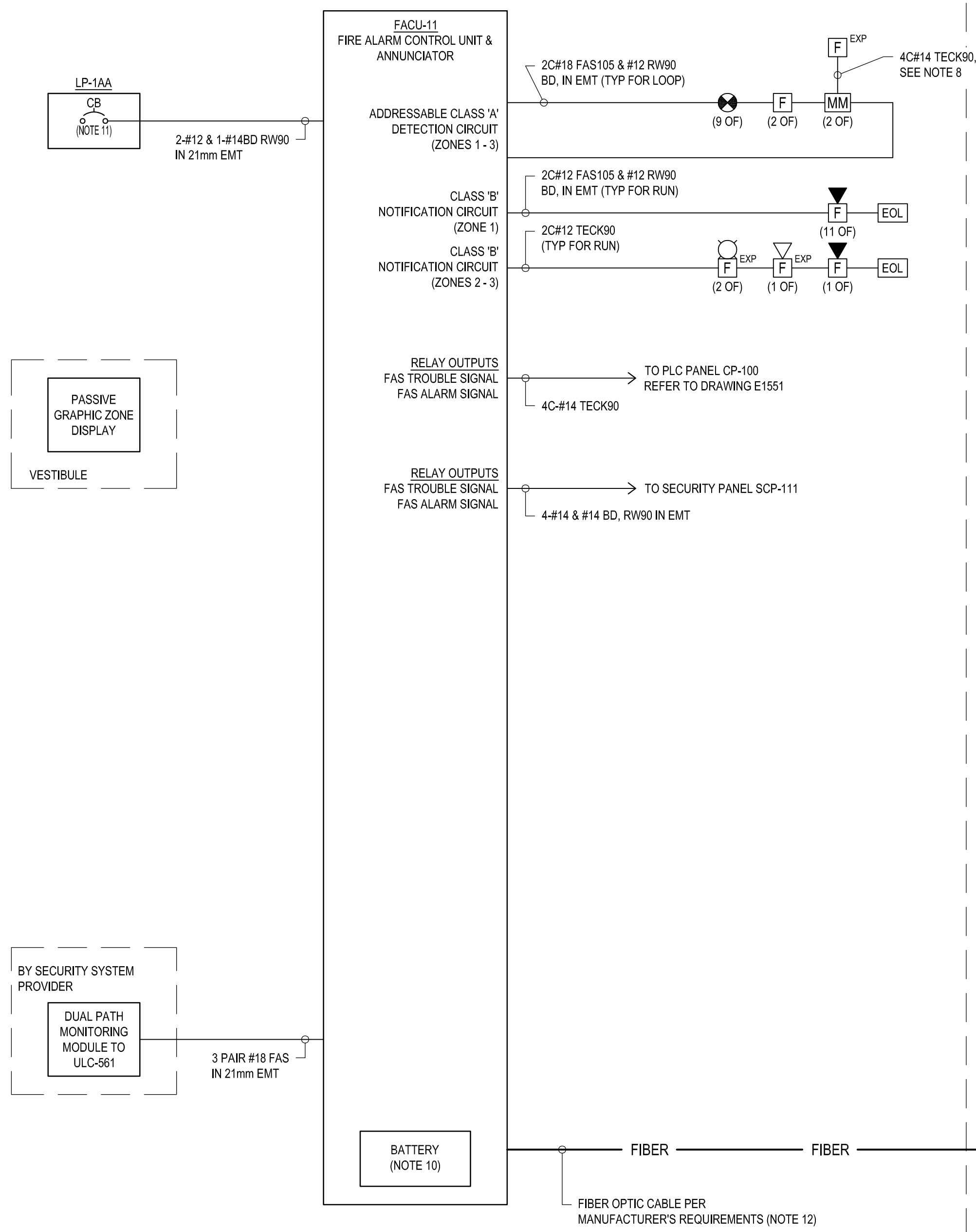
TITLE:

TYPICAL CONTROL PANEL WIRING DETAILS

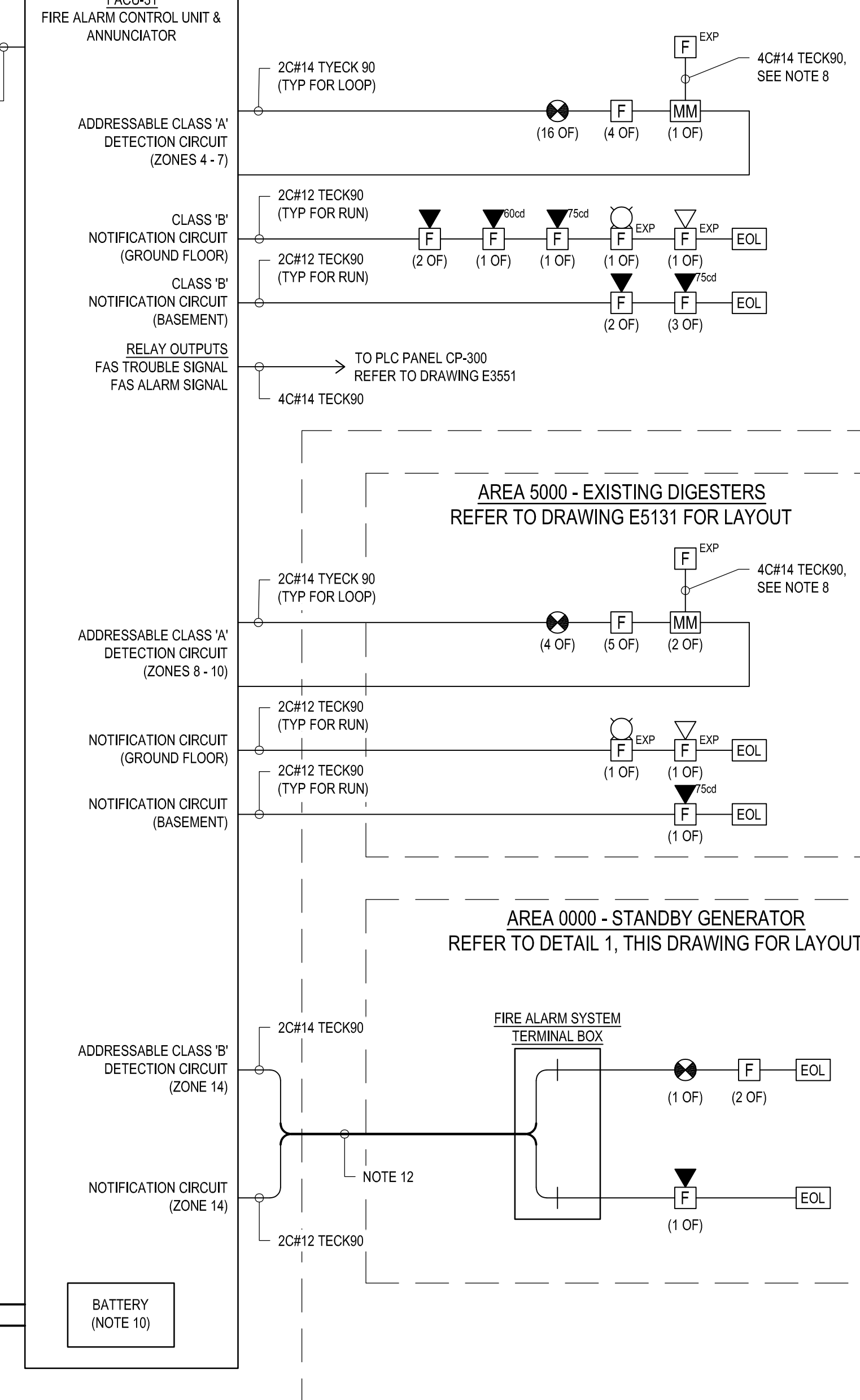
SCALE: N.T.S.	JOB NO: 22001
DESIGNED BY: T.S.	DATE: 2025/01/23
DRAWN BY: T.S.	DRAWING NO.
CHECKED BY: J.S.	E0452

M:\2025\22001 - Napanee WPCP Upgrade\E0452 - WPCP Panel ELEC\22001 E0452-0452 Typ CP Rev Jan 16, 2025-4.dwg (By: boral.murphy)

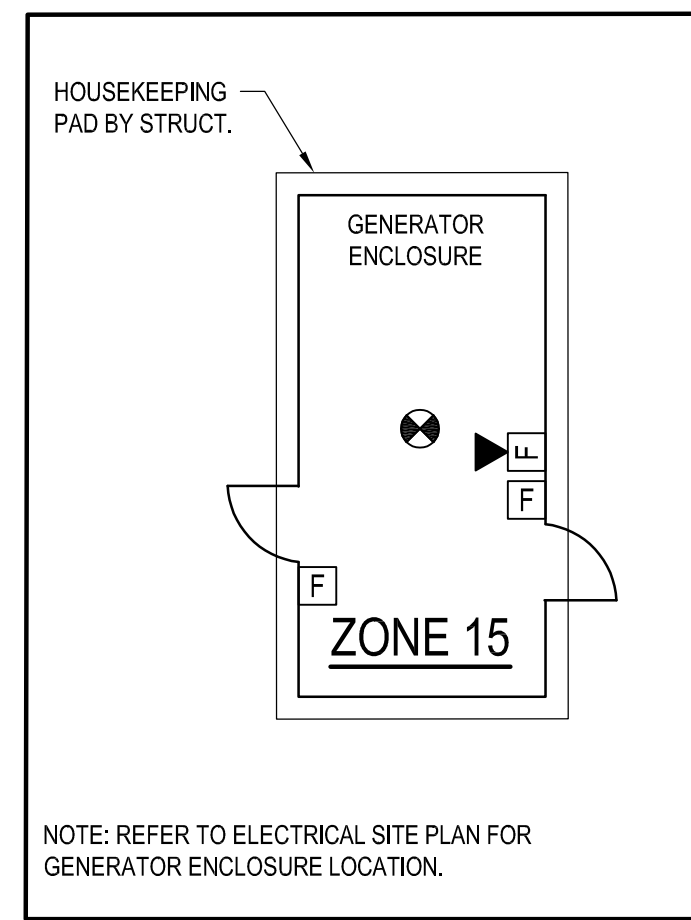
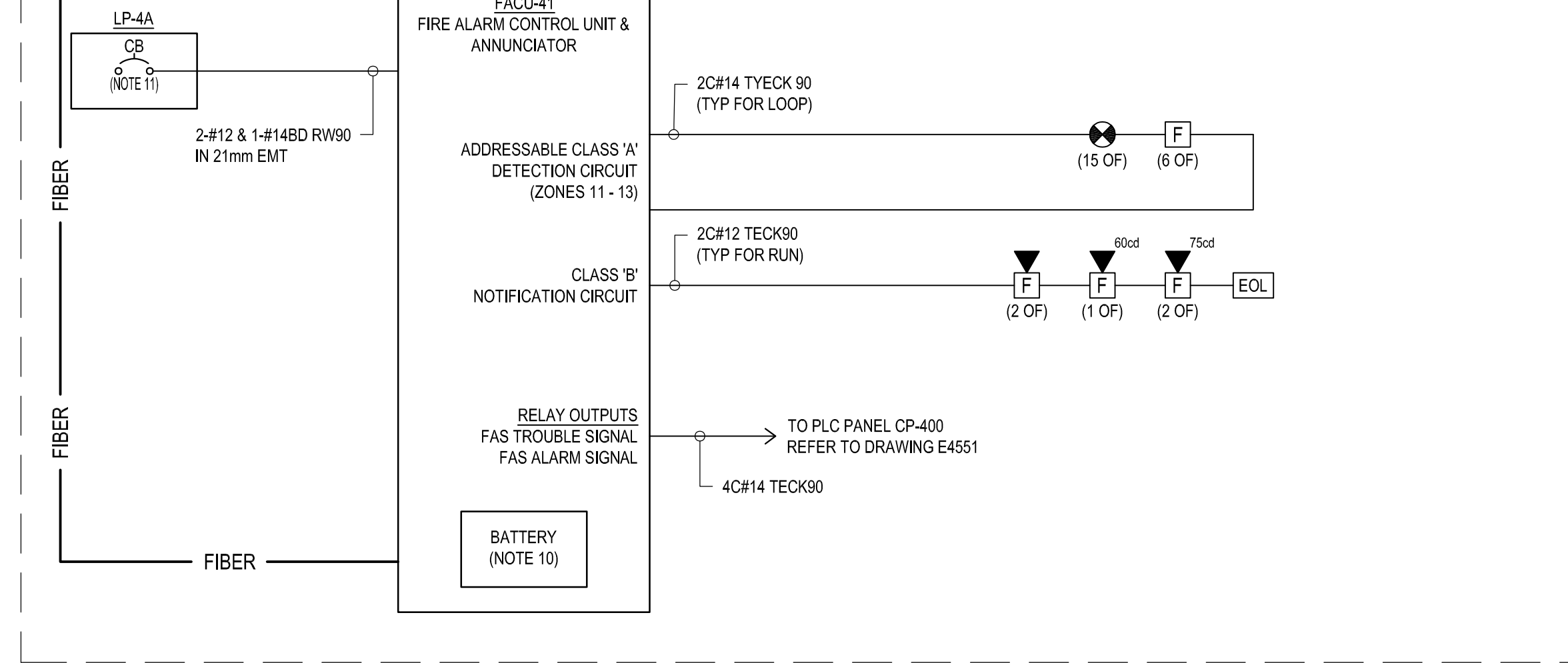
AREA 1000 - ADMIN BUILDING
REFER TO DRAWING E1131 FOR LAYOUT



AREA 3000 - OPERATIONS BUILDING
REFER TO DRAWING E3131 FOR LAYOUT



AREA 4000 - TERTIARY / GV BUILDING
REFER TO DRAWING E4131 FOR LAYOUT



1
E0531
GENERATOR ENCLOSURE
SCALE: NTS

FIRE ALARM ZONE LIST

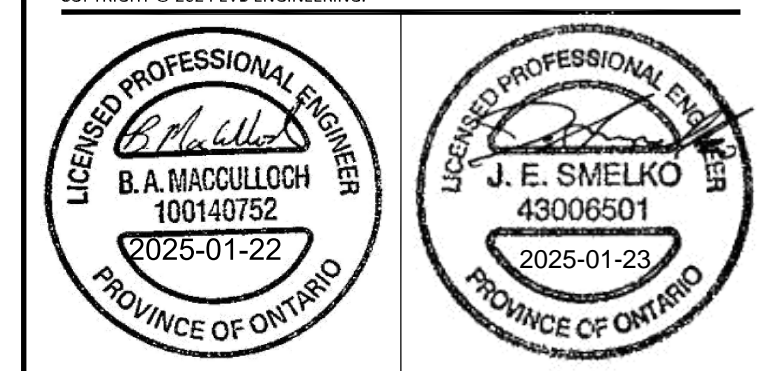
ZONE	DESCRIPTION
1	HEADWORKS BLDG - ADMINISTRATION
2	HEADWORKS BLDG - SCREENING ROOM
3	HEADWORKS BLDG - ELECTRICAL ROOM
4	OPERATIONS BLDG - THICKENER ROOM
5	OPERATIONS BLDG - GROUND FLOOR
6	OPERATIONS BLDG - BASEMENT
7	OPERATIONS BLDG - STAIRWELL
8	DIGESTER BLDG - BASEMENT
9	DIGESTER BLDG - 2ND FLOOR
10	DIGESTER BLDG - STAIRWELL
11	TERTIARY/UV BLDG
12	TERTIARY/UV BLDG - STAIRWELL
13	TERTIARY/UV BLDG - STORAGE ROOM
14	TERTIARY/UV BLDG - ELECTRICAL ROOM
15	GENERATOR WALK-IN ENCLOSURE
16	

NOTES:

- REFER TO FLOOR PLAN FOR EXACT NUMBER OF DEVICES.
- PROVIDE LINE ISOLATOR MODULES (NOT SHOWN) AS REQUIRED PER CANULC-S524.
- PROVIDE END-OF-LINE RESISTORS AS INDICATED (NOT SHOWN ON PLAN). DO NOT LOCATE EOL RESISTORS IN CLASSIFIED AREAS.
- FIRE ALARM SIGNALING CIRCUITS ARE SHOWN DIAGRAMMATICALLY. PROVIDE SUFFICIENT NUMBER OF SIGNALING CIRCUITS FOR NUMBER OF DEVICES INDICATED PLUS 25% SPARE CAPACITY.
- PRE-PAINT ALL CONCEALED FIRE ALARM CONDUIT FITTINGS AND JUNCTION BOX COVERS RED. SPRAY PAINT ON CONDUIT SECTIONS WILL NOT BE ACCEPTED. IDENTIFY CIRCUITS IN EACH JUNCTION BOX WITH ADHESIVE LABEL.
- SURFACE MOUNT DEVICES TO BE COMPLETE WITH MANUFACTURER'S PRE-PAINTED OUTLET BOX. BOX COLOUR TO MATCH DEVICE. WHERE MANUFACTURER'S BACKBOX IS NOT AVAILABLE (I.E. CEILING MOUNTED BOXES) PROVIDE DIE-CAST BOXES.
- ALL WIRING (DRY LOCATIONS) SHALL BE RUN IN EMT. ALL WIRING (DAMP/WET LOCATIONS) SHALL BE RUN IN PVC CONDUIT. CONDUIT SHALL BE USED FOR MAIN RUNS. PROVIDE TECK90 WITH EXPLOSION PROOF FITTINGS IN CLASSIFIED AREAS.
- PROVIDE TECK90 OR RMC WITH EXPLOSION PROOF FITTINGS IN CLASSIFIED AREAS.
- SEPARATE CLASS 'A' PRIMARY AND ALTERNATE WIRING PATHS PER CANULC-S524: 1200mm WHEN CABLES RUN IN HORIZONTAL DIRECTION, 300mm WHEN CABLES RUN IN VERTICAL DIRECTION.
- BATTERY SIZE TO BE SUITABLE FOR USE AS THE 'EMERGENCY POWER SUPPLY' PER CANULC-S524.
- 120V-15A-1P DEDICATED CIRCUIT C/W LOCK-ON DEVICE AND 'RED' LAMICOID LABEL IDENTIFICATION - REFER TO PANEL SCHEDULE FOR CIRCUIT NUMBER.
- REFER TO ELECTRICAL SITE PLAN FOR UNDERGROUND DUCT BANK DETAILS BETWEEN BUILDINGS.

DATE	No.	REVISION
2025/01/23	2	ISSUED FOR TENDER
2024/08/23	1	ISSUED FOR ECA APPROVAL

THE DRAWINGS, ARRANGEMENTS, ANNOTATIONS AND GRAPHICAL PRESENTATIONS ON THIS DOCUMENT ARE THE PROPERTY OF EVB ENGINEERING WHO RETAINS OWNERSHIP AND AUTHORITY OF THIS DOCUMENT IN ITS ENTIRETY. THIS DOCUMENT IS AN INSTRUMENT OF SERVICE AND IS THE INTELLECTUAL AND PHYSICAL PROPERTY OF EVB ENGINEERING. AUTHORIZED USE OF THIS DRAWING IS GRANTED SOLELY FOR THE PURPOSE OF THIS SPECIFIC PROJECT AND LOCATION, AND NOT FOR CONSTRUCTION OR USE FOR ANY OTHER PROJECT.
COPYRIGHT © 2024 EVB ENGINEERING.



CONSULTANT:
EVB ENGINEERING
800 SECOND STREET WEST
CORNWALL, ONTARIO CANADA, K6J 1H6
TEL: 613-935-3775 | FAX: 613-935-6450
WEBSITE: evbengineering.com

SUB-CONSULTANT:
CIMA+

CLIENT:
Greater Napanee
CREATING FOR MANY REASONS

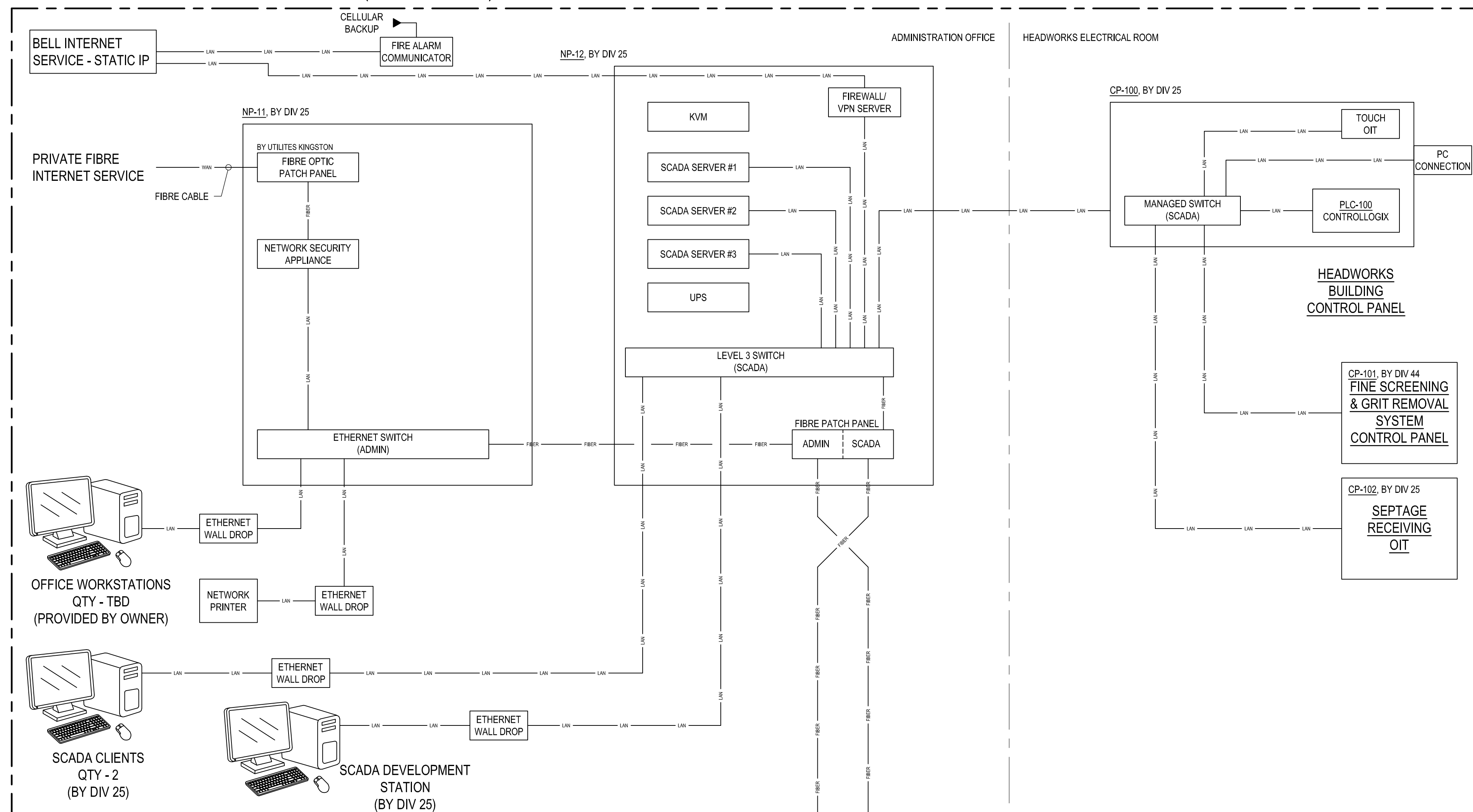
PROJECT:
NEW NAPANEE WPCP

TITLE:
FIRE ALARM SYSTEM RISER DIAGRAM

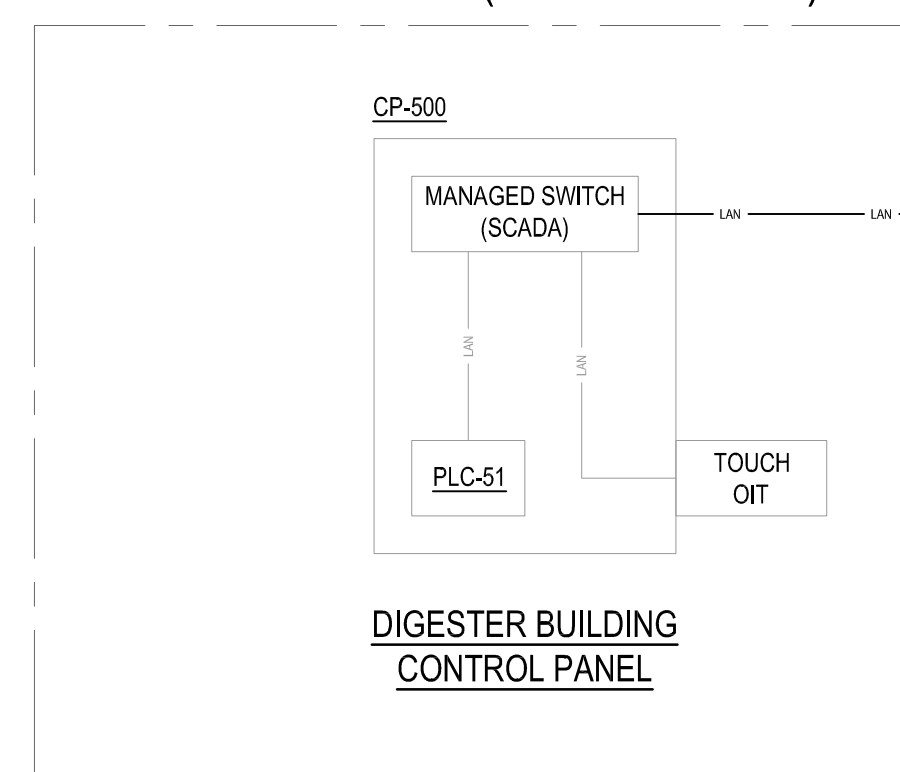
SCALE: N.T.S.	JOB NO: 22001
DESIGNED BY: B.M.	DATE: 2025/01/23
DRAWN BY: B.M.	DRAWING NO. E0531
CHECKED BY: J.S.	

M:\2025\22001 - Napanee WPCP Upgrade\E0531 - WPCP\9.0_Elec\22001_E0531_FAS_Riser.dwg, Jun 16, 2025 4:32pm B17(bren.mcculloch)

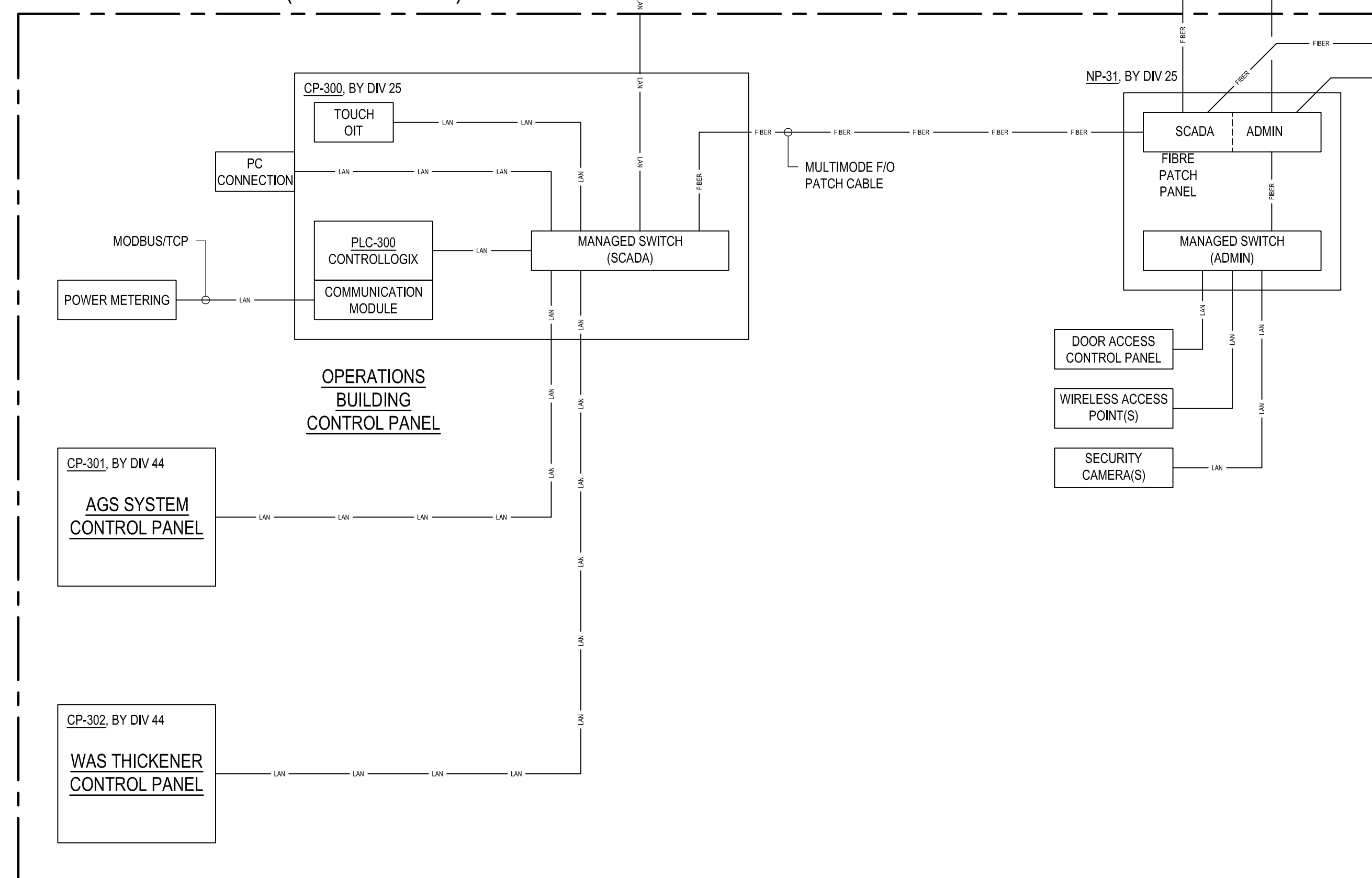
ADMINISTRATION / HEADWORKS BUILDING (BUILDING 1000)



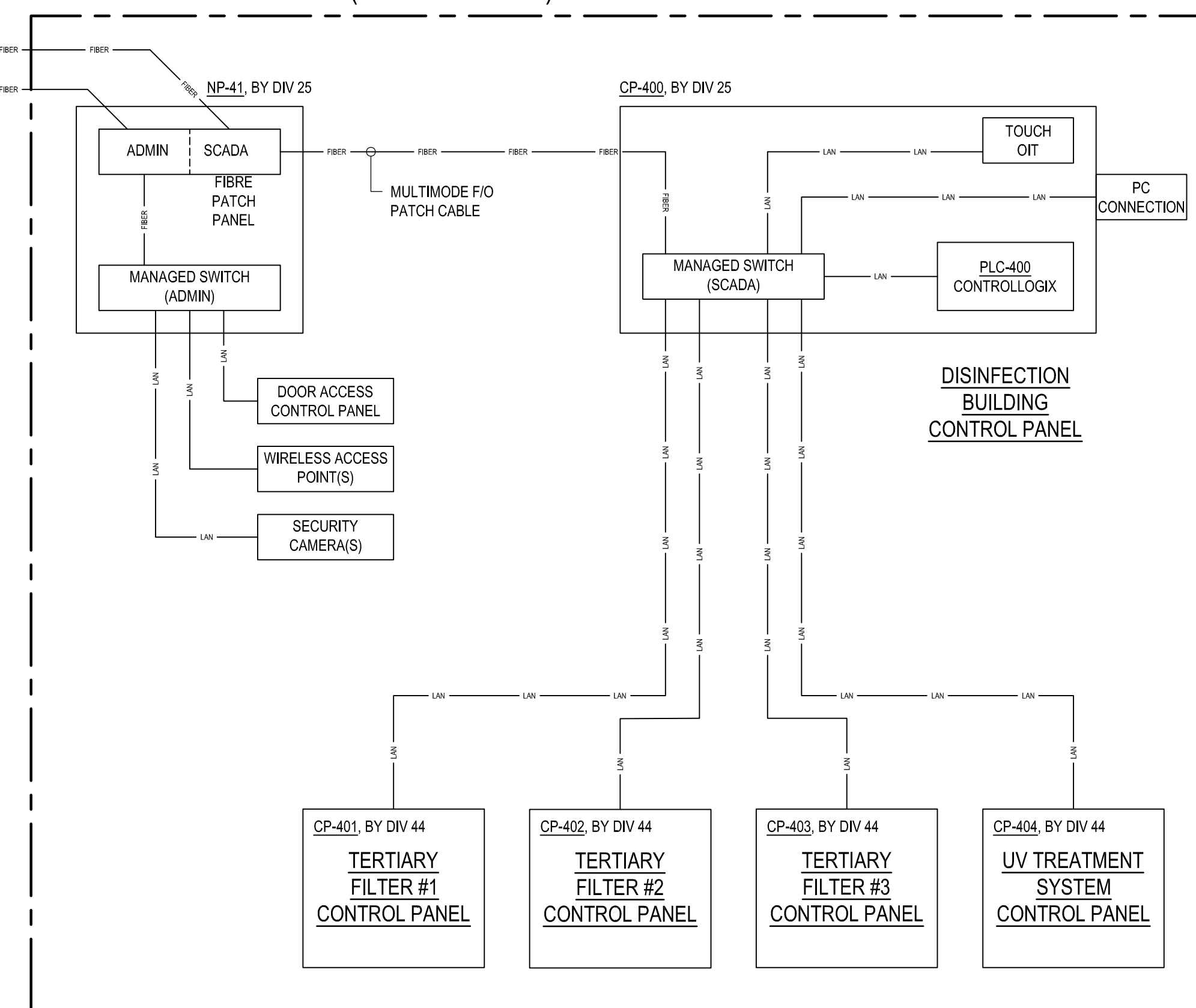
DIGESTER BUILDING (BUILDING 5000)



OPERATIONS BUILDING (BUILDING 3000)



DISINFECTION BUILDING (BUILDING 4000)



LEGEND:

- DARK LINES INDICATE NEW EQUIPMENT
- LIGHT LINES INDICATE EXISTING EQUIPMENT
- FIBRE OPTIC CONNECTION
- ETHERNET CONNECTION
- INTERNET CONNECTION
- BELL TELEPHONE LINE
- NEW BUILDING / AREA
- EXISTING BUILDING / AREA

GENERAL NOTES:

1. THERE ARE TWO PHYSICALLY SEPARATE NETWORKS IN THE FACILITY:
 - 1.1. SCADA / PLC: LABELLED "SCADA" ON DRAWINGS, FOR PROCESS RELATED EQUIPMENT (SCADA SERVERS / CLIENTS, PLCs, TOUCHSCREEN OITS, VFDs, MOTOR STARTERS, ETC.)
 - 1.2. ADMIN / SECURITY: LABELLED "ADMIN" ON DRAWINGS, FOR NON-PROCESS RELATED EQUIPMENT (OFFICE WORKSTATIONS, SECURITY CAMERAS, DOOR CONTROLS, WIRELESS ACCESS POINTS, ETC.)
2. ETHERNET CONNECTIONS TO PROCESS EQUIPMENT (MOTOR STARTERS / VFDs, MOTORIZED VALVES, ETC.) ARE NOT SHOWN. REFER TO CONTROL PANEL DRAWINGS (EX&IX DRAWINGS) FOR THESE CONNECTIONS.

DATE	No.	REVISION
2025/01/23	2	ISSUED FOR TENDER
2024/08/23	1	ISSUED FOR ECA APPROVAL

THE DRAWINGS, ARRANGEMENTS, ANNOTATIONS AND GRAPHICAL PRESENTATIONS ON THIS DOCUMENT ARE THE PROPERTY OF EVB ENGINEERING WHO RETAINS OWNERSHIP AND AUTHORITY OF THIS DOCUMENT IN ITS ENTIRETY. THIS DOCUMENT IS AN INSTRUMENT OF SERVICE AND IS THE INTELLECTUAL AND PHYSICAL PROPERTY OF EVB ENGINEERING. AUTHORIZED USE OF THIS DRAWING IS GRANTED SOLELY FOR THE PURPOSE OF THIS SPECIFIC PROJECT AND LOCATION, AND NOT FOR CONSTRUCTION OR USE FOR ANY OTHER PROJECT. COPYRIGHT © 2024 EVB ENGINEERING.



CONSULTANT:
EVB ENGINEERING
 800 SECOND STREET WEST
 CORNWALL, ONTARIO CANADA, K6J 1H6
 TEL: 613-935-3775 | FAX: 613-935-6450
 WEBSITE: EVBengineering.com



CLIENT:
Greater Napanee
 GREATER FOR MANY REASONS

PROJECT:
NEW NAPANEE WPCP

TITLE:
SITE NETWORK TOPOLOGY

SCALE: N.T.S.	JOB NO: 22001
DESIGNED BY: T.S.	DATE: 2025/01/23
DRAWN BY: T.S.	DRAWING NO.
CHECKED BY: J.S.	E0551

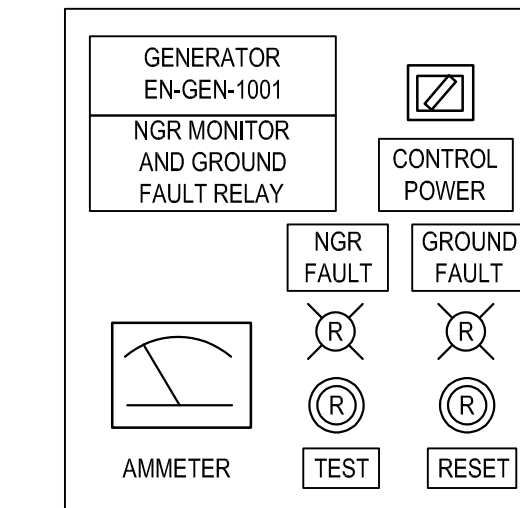
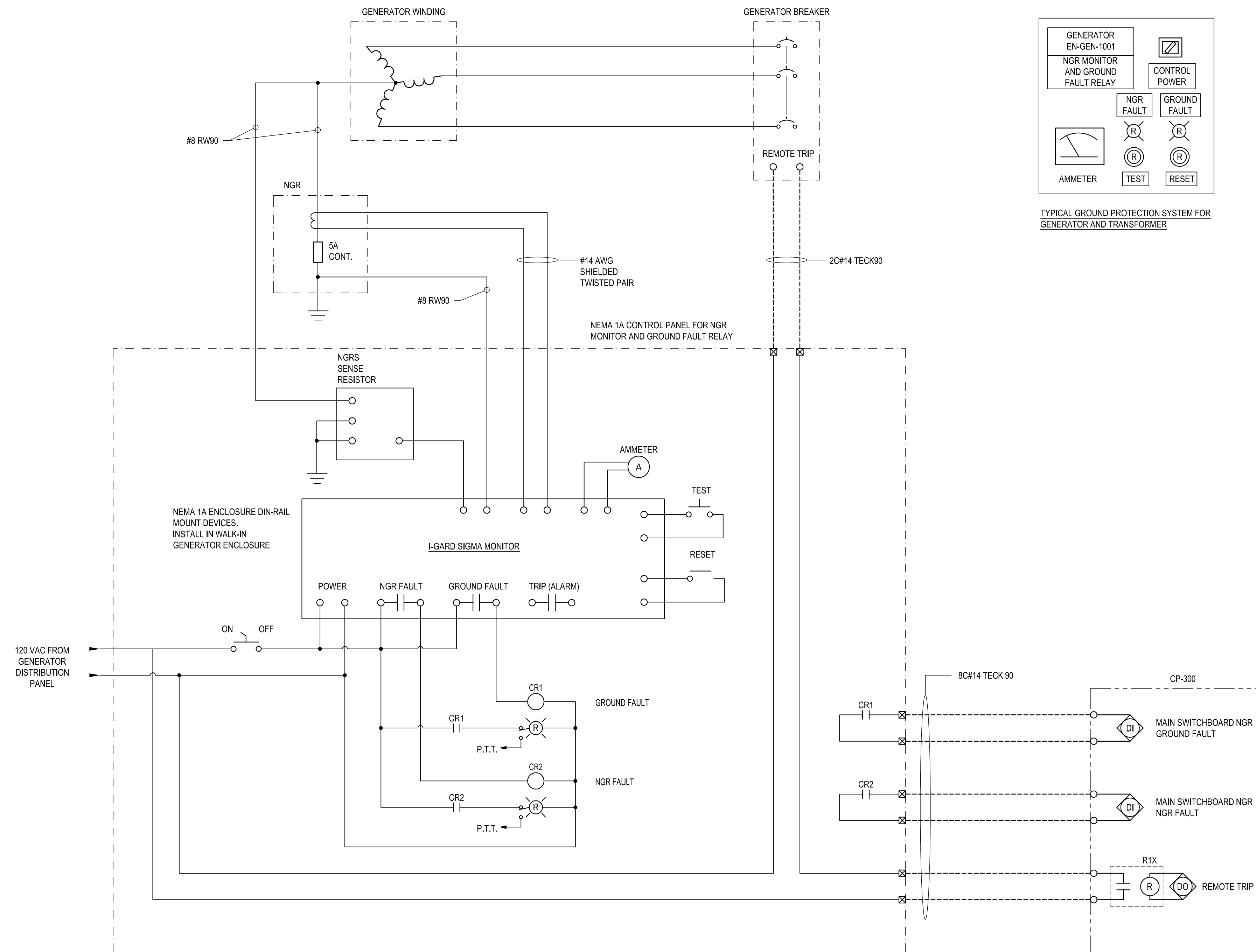
M:\2025\22001 - Napanee WPCP - Upgrade\6.0 Draw - WPCP\6.0 Etc\22001 E0551 Network Topology.dwg, Jan 16, 2025 4:36pm BY:bnr(mason)

LEGEND:

- ☒ TERMINAL BLOCK IN FIELD PANEL
- TERMINAL BLOCK IN PLC PANEL

NOTES:

1. THE INTENT OF THIS WIRING DIAGRAM IS TO SHOW THE CONTROL SIGNAL INTERCONNECTIONS FOR THE NEUTRAL GROUNDING RESISTOR SYSTEM. REFER TO SINGLE LINE DIAGRAM DRAWINGS FOR POWER CONNECTIONS BETWEEN NGR AND ELECTRICAL SYSTEM.
2. THE CONDUCTOR CONNECTING THE NEUTRAL TO THE NEUTRAL GROUNDING RESISTOR IS TO BE ROUTED TO TAKE THE SHORTEST AND MOST DIRECT PATH.

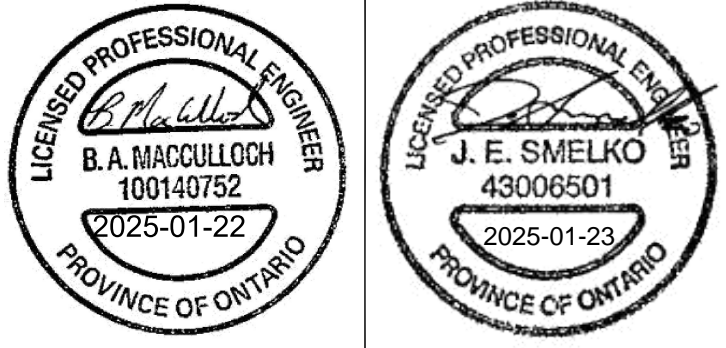


TYPICAL GROUND PROTECTION SYSTEM FOR GENERATOR AND TRANSFORMER

NGR MONITOR AND GROUND FAULT RELAY WIRING DIAGRAM
GENERATOR NGR

DATE	No.	REVISION
2025/01/23	2	ISSUED FOR TENDER
2024/08/23	1	ISSUED FOR ECA APPROVAL

THE DRAWINGS, ARRANGEMENTS, ANNOTATIONS AND GRAPHICAL PRESENTATIONS ON THIS DOCUMENT ARE THE PROPERTY OF EVB ENGINEERING WHO RETAINS OWNERSHIP AND AUTHORITY OF THIS DOCUMENT IN ITS ENTIRETY. THIS DOCUMENT IS AN INSTRUMENT OF SERVICE AND IS THE INTELLECTUAL AND PHYSICAL PROPERTY OF EVB ENGINEERING. AUTHORIZED USE OF THIS DRAWING IS GRANTED SOLELY FOR THE PURPOSE OF THIS SPECIFIC PROJECT AND LOCATION, AND NOT FOR CONSTRUCTION OR USE FOR ANY OTHER PROJECT.
COPYRIGHT © 2024 EVB ENGINEERING.



CONSULTANT:

 800 SECOND STREET WEST
 CORNWALL, ONTARIO CANADA, K6J 1H6
 TEL: 613-885-3775 | FAX: 613-885-6450
 WEBSITE: EVBengineering.com

SUB-CONSULTANT:

CLIENT:

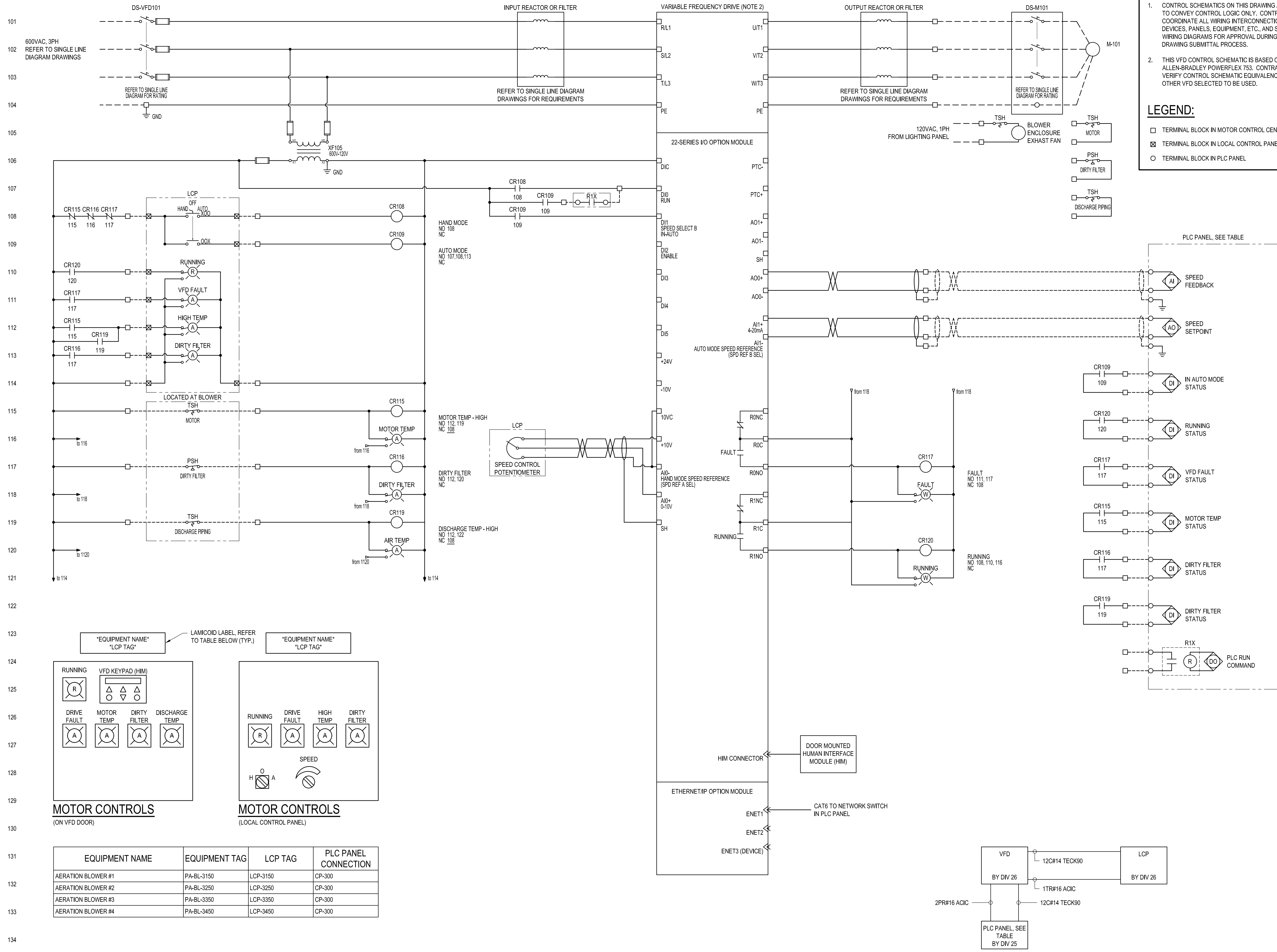
 Greater Napanee
 Greater for many reasons

PROJECT:
NEW NAPANEE WPCP

TITLE:
**CONTROL SCHEMATIC
 NGR
 "EMERGENCY SUPPLY"**

SCALE: N.T.S.	JOB NO: 22001
DESIGNED BY: J.S.	DATE: 2025/01/23
DRAWN BY: B.M.	DRAWING NO.:
CHECKED BY: J.S.	E0602

M:\2022\22001 - Napanee WPCP - Updates\E.D. Ding - WPCP\PLC ELEC\22001 E0001-0610- Control Schematics\Eng - Jan 16, 2025 - 4:38pm (P:\rand.mcculloch)

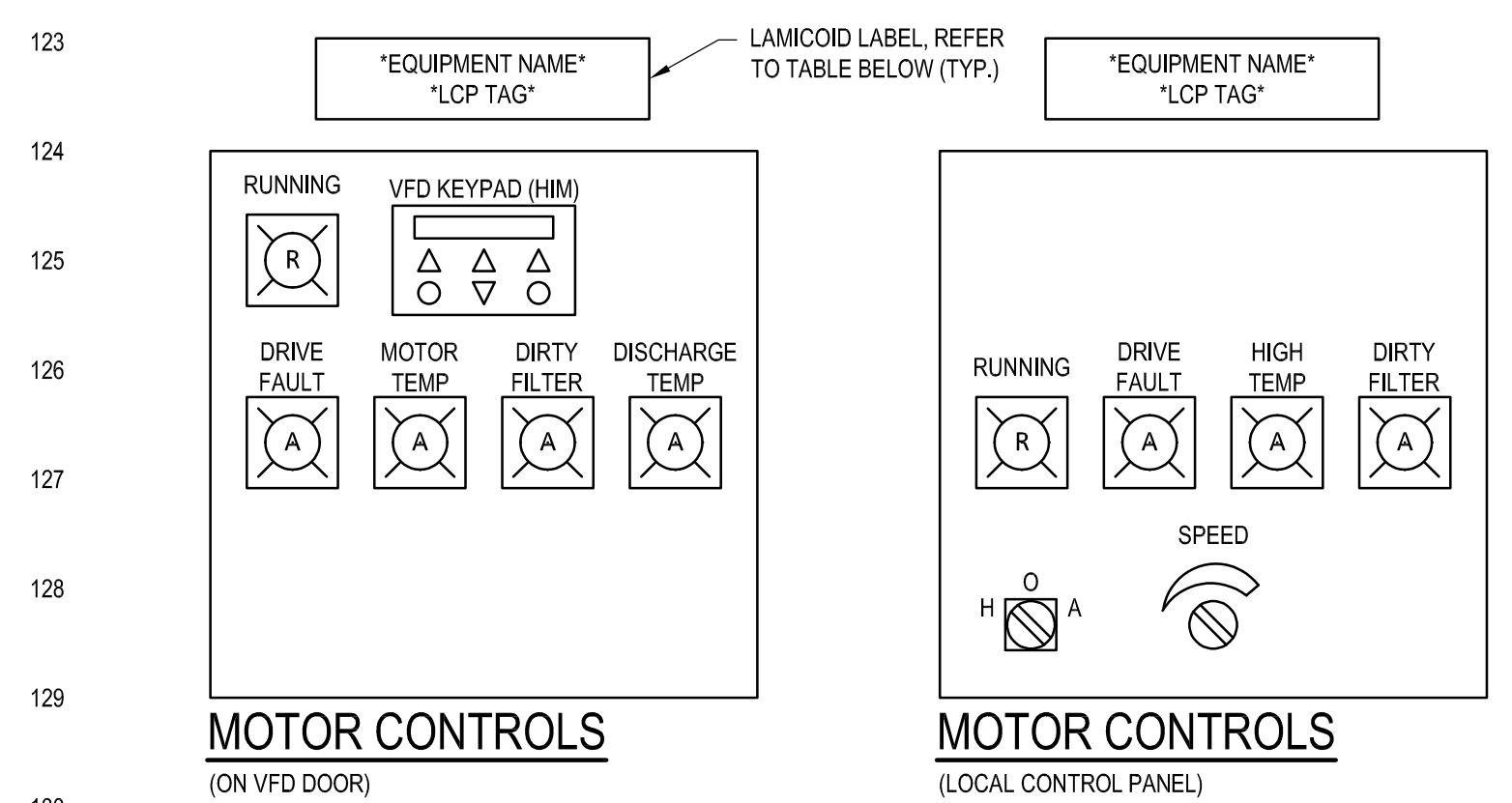


NOTES:

- CONTROL SCHEMATICS ON THIS DRAWING ARE INTENDED TO CONVEY CONTROL LOGIC ONLY. CONTRACTOR TO COORDINATE ALL WIRING INTERCONNECTIONS BETWEEN DEVICES, PANELS, EQUIPMENT, ETC., AND SUBMIT WIRING DIAGRAMS FOR APPROVAL DURING SHOP DRAWING SUBMITTAL PROCESS.
- THIS VFD CONTROL SCHEMATIC IS BASED ON AN ALLEN-BRADLEY POWERFLEX 753. CONTRACTOR SHALL VERIFY CONTROL SCHEMATIC EQUIVALENCY FOR ANY OTHER VFD SELECTED TO BE USED.

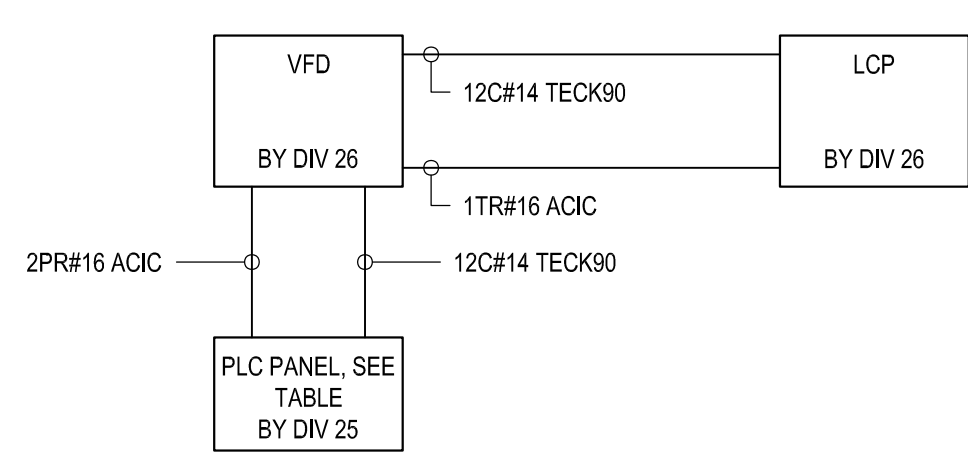
LEGEND:

- TERMINAL BLOCK IN MOTOR CONTROL CENTER (MCC)
- ⊗ TERMINAL BLOCK IN LOCAL CONTROL PANEL (LCP)
- TERMINAL BLOCK IN PLC PANEL



EQUIPMENT NAME	EQUIPMENT TAG	LCP TAG	PLC PANEL CONNECTION
AERATION BLOWER #1	PA-BL-3150	LCP-3150	CP-300
AERATION BLOWER #2	PA-BL-3250	LCP-3250	CP-300
AERATION BLOWER #3	PA-BL-3350	LCP-3350	CP-300
AERATION BLOWER #4	PA-BL-3450	LCP-3450	CP-300

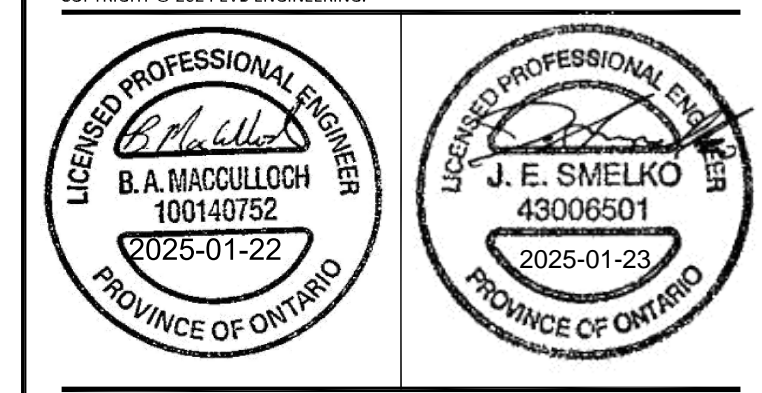
TYPICAL AERATION BLOWER W/ LOCAL CONTROL PANEL
TYPICAL FOR EQUIPMENT SHOWN IN TABLE



CONTROLS WIRING DIAGRAM
*MINIMUM CONDUCTORS REQUIRED ARE SHOWN. REFER TO CONTROL SCHEMATIC FOR ADDITIONAL WIRING REQUIRED FOR FIELD INSTRUMENTS (I.E. DISCONNECT SWITCH, MOTOR THERMOSTATS, RTDs, PRESSURE SWITCHES, ETC.)

DATE	No.	REVISION
2025/01/23	2	ISSUED FOR TENDER
2024/08/23	1	ISSUED FOR ECA APPROVAL

THE DRAWINGS, ARRANGEMENTS, ANNOTATIONS AND GRAPHICAL PRESENTATIONS ON THIS DOCUMENT ARE THE PROPERTY OF EVB ENGINEERING WHO RETAINS OWNERSHIP AND AUTHORITY OF THIS DOCUMENT IN ITS ENTIRETY. THIS DOCUMENT IS AN INSTRUMENT OF SERVICE AND IS THE INTELLECTUAL AND PHYSICAL PROPERTY OF EVB ENGINEERING. AUTHORIZED USE OF THIS DRAWING IS GRANTED SOLELY FOR THE PURPOSE OF THIS SPECIFIC PROJECT AND LOCATION, AND NOT FOR CONSTRUCTION OR USE FOR ANY OTHER PROJECT.
COPYRIGHT © 2024 EVB ENGINEERING



CONSULTANT:

 800 SECOND STREET WEST
 CORNWALL, ONTARIO CANADA, K6J 1H6
 TEL: 613-935-3775 | FAX: 613-935-6450
 WEBSITE: EVBengineering.com

SUB-CONSULTANT:

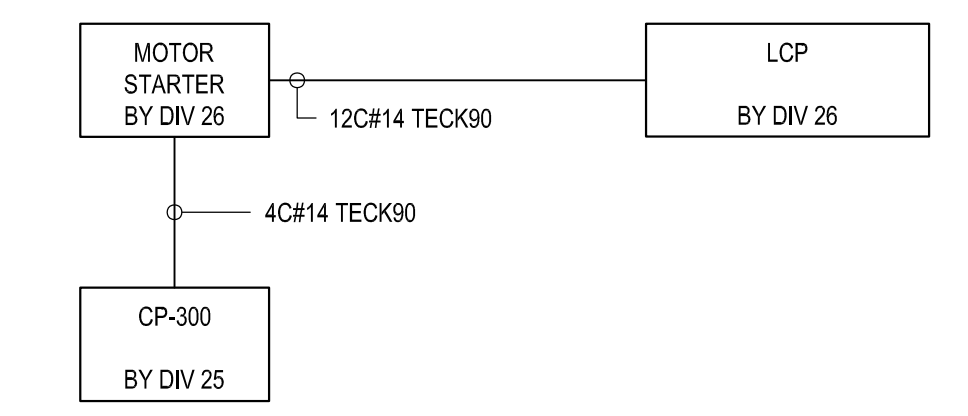
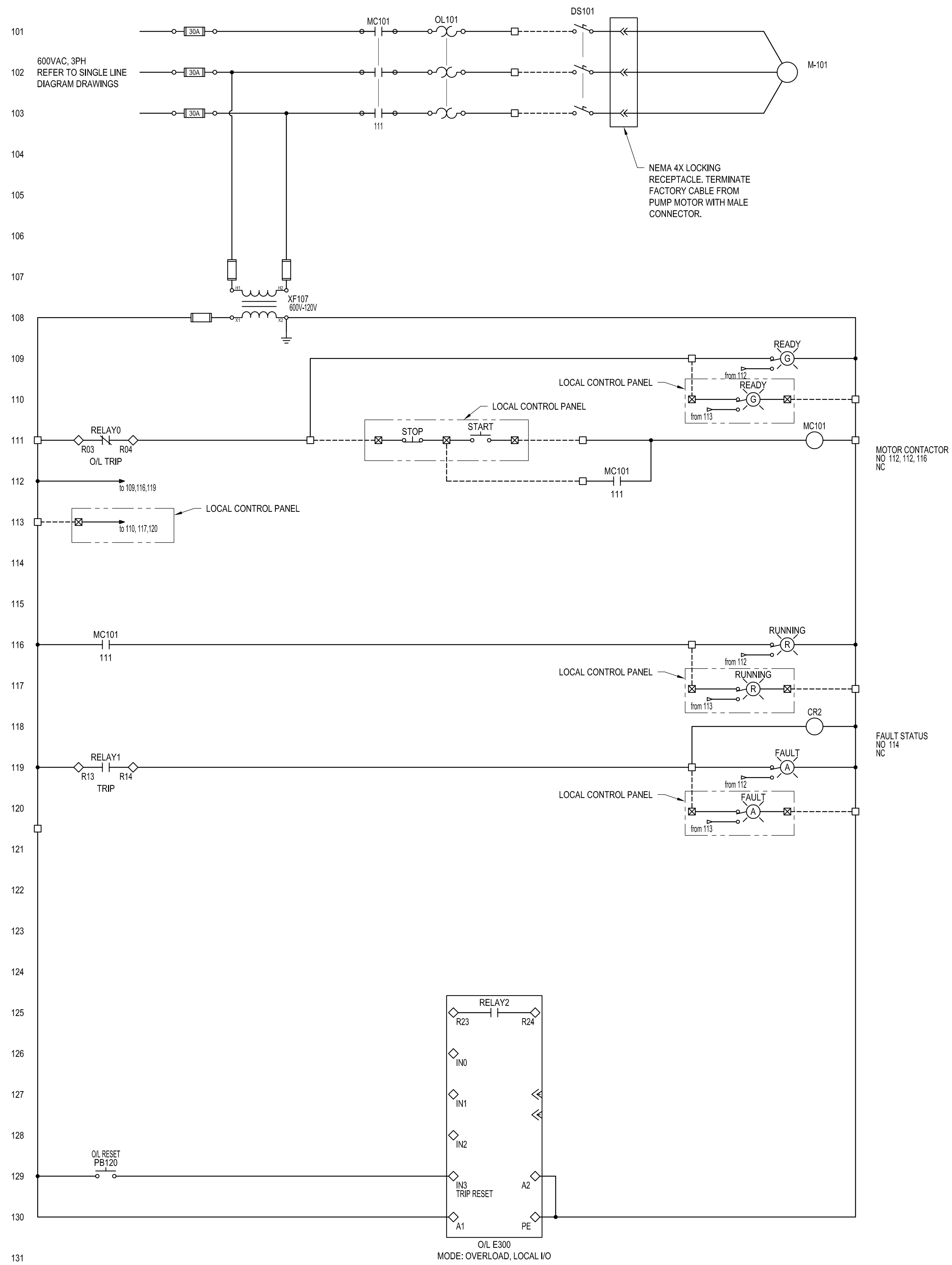
 CLIENT:

 Greater Napanee
 (CREATED FOR MANY REASONS)

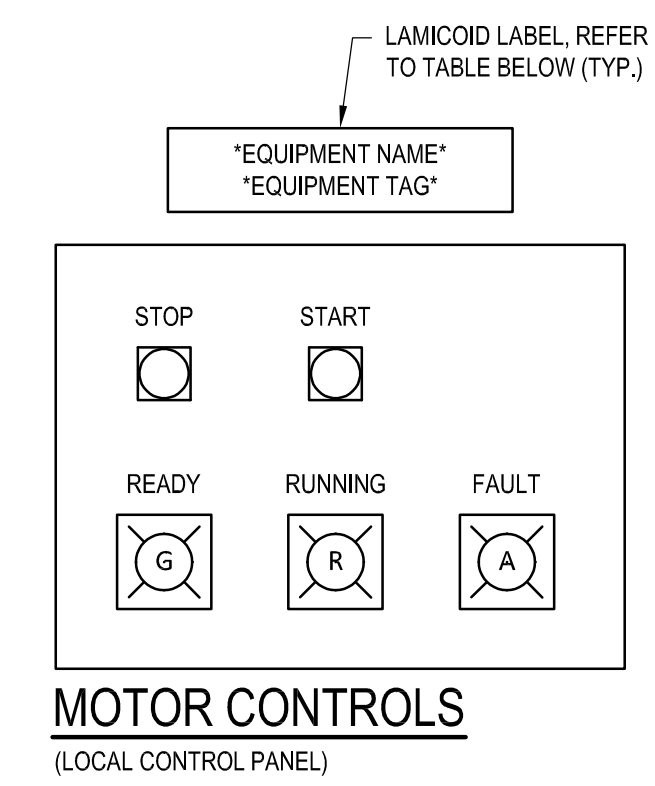
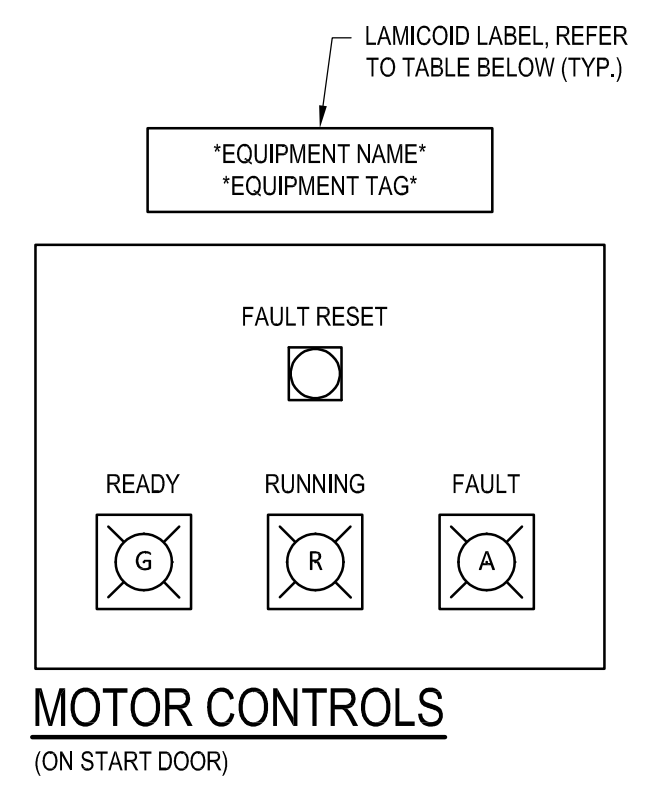
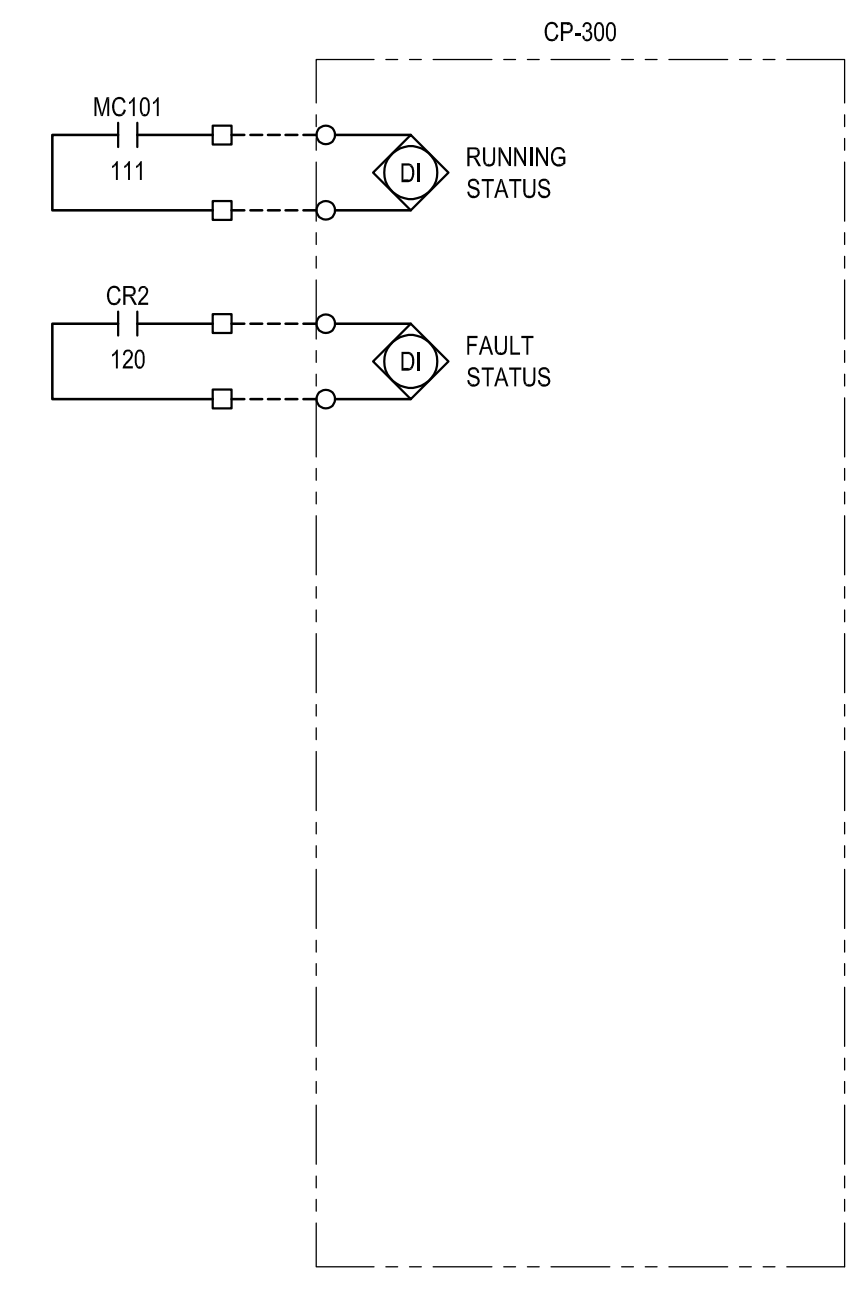
PROJECT:
NEW NAPANEE WPCP
 CONTROL SCHEMATIC
 AERATION BLOWERS

TITLE:
 SCALE:
 N.T.S.
 DESIGNED BY:
 J.S.
 DRAWN BY:
 B.M.
 CHECKED BY:
 J.S.
 JOB NO:
 22001
 DATE:
 2025/01/23
 DRAWING NO.
E0604

M:\2025\22001 - Napanee WPCP - Updates\E0604 - WPCP\PA-BL-3250\1-01-10- Control Schematics.dwg - Jan 16, 2025 - 4:38pm (B:\rand.mosallahi)



CONTROLS WIRING DIAGRAM



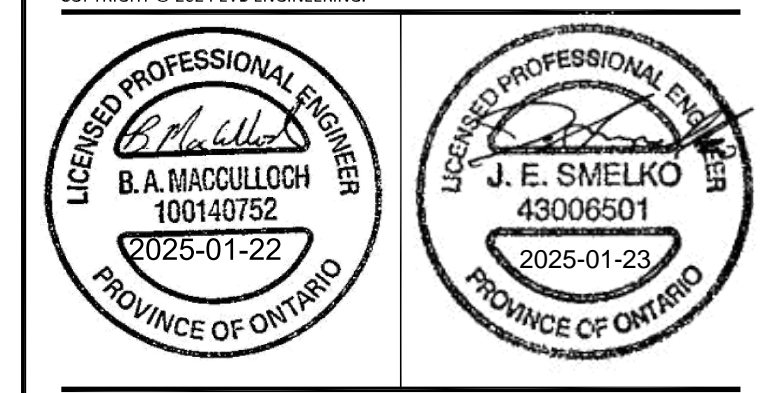
EQUIPMENT NAME	EQUIPMENT TAG
AGS TANKS - TEMPORARY SUMP PUMP	AGS-SS-2112

TYPICAL TANK SUMP PUMP MOTOR STARTER
TYPICAL FOR EQUIPMENT SHOWN IN TABLE

- NOTES:**
- CONTROL SCHEMATICS ON THIS DRAWING ARE INTENDED TO CONVEY CONTROL LOGIC ONLY. CONTRACTOR TO COORDINATE ALL WIRING INTERCONNECTIONS BETWEEN DEVICES, PANELS, EQUIPMENT, ETC., AND SUBMIT WIRING DIAGRAMS FOR APPROVAL DURING SHOP DRAWING SUBMITTAL PROCESS.
 - CONTROL SCHEMATICS ON THIS DRAWING ARE BASED ON USING ALLEN-BRADLEY E300 ELECTRONIC OVERLOAD RELAYS. CONTRACTOR SHALL VERIFY CONTROL EQUIVALENCY FOR ANY OTHER OVERLOAD RELAY USED.
- LEGEND:**
- TERMINAL BLOCK IN MOTOR STARTER
 - ⊗ TERMINAL BLOCK IN LOCAL CONTROL PANEL (LCP)
 - ◇ TERMINAL BLOCK IN ELECTRONIC OVERLOAD (OL)
 - TERMINAL BLOCK IN PLC PANEL

DATE	No.	REVISION
2025/01/23	2	ISSUED FOR TENDER
2024/08/23	1	ISSUED FOR ECA APPROVAL

THE DRAWINGS, ARRANGEMENTS, ANNOTATIONS AND GRAPHICAL PRESENTATIONS ON THIS DOCUMENT ARE THE PROPERTY OF EVB ENGINEERING WHO RETAINS OWNERSHIP AND AUTHORITY OF THIS DOCUMENT IN ITS ENTIRETY. THIS DOCUMENT IS AN INSTRUMENT OF SERVICE AND IS THE INTELLECTUAL AND PHYSICAL PROPERTY OF EVB ENGINEERING. AUTHORIZED USE OF THIS DRAWING IS GRANTED SOLELY FOR THE PURPOSE OF THIS SPECIFIC PROJECT AND LOCATION, AND NOT FOR CONSTRUCTION OR USE FOR ANY OTHER PROJECT.
COPYRIGHT © 2024 EVB ENGINEERING.



CONSULTANT:

 800 SECOND STREET WEST
 CORNWALL, ONTARIO CANADA, K6J 1H6
 TEL: 613-935-3775 | FAX: 613-935-6450
 WEBSITE: EVBengineering.com

SUB-CONSULTANT:

CLIENT:

 GREATER FOR MANY REASONS

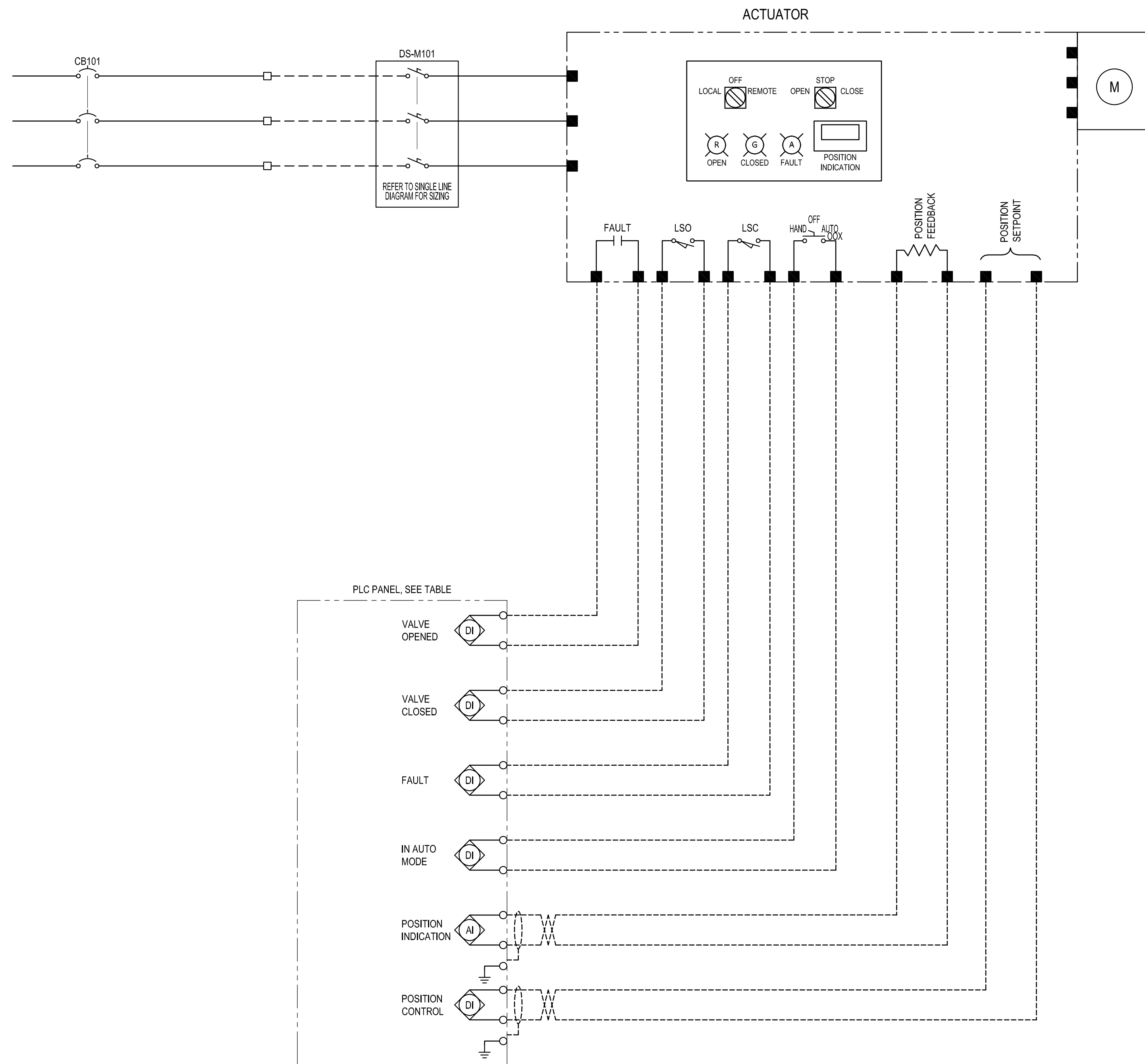
PROJECT:
NEW NAPANEE WPCP

TITLE:
**CONTROL SCHEMATIC
 AGS TANKS
 SUMP PUMP**

SCALE: N.T.S.	JOB NO: 22001
DESIGNED BY: J.S.	DATE: 2025/01/23
DRAWN BY: B.M.	DRAWING NO.:
CHECKED BY: J.S.	E0606

M:\2025\22001 - Napanee WPCP - Updates\E0606 - WPCP\PLC ELEC\22001 E0606 - Control Schematics.dwg - Jun 16, 2024 - 4:38pm IP: (local.mosabof)

101
102
103
104
105
106
107
108
109
110
111
112
113
114
115
116
117
118
119
120
121
122
123
124
125
126
127
128
129
130
131
132
133
134
135
136



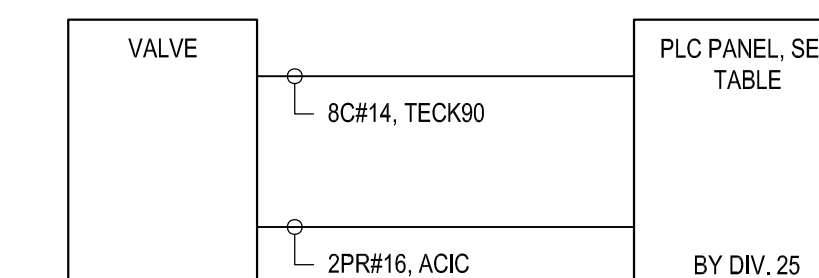
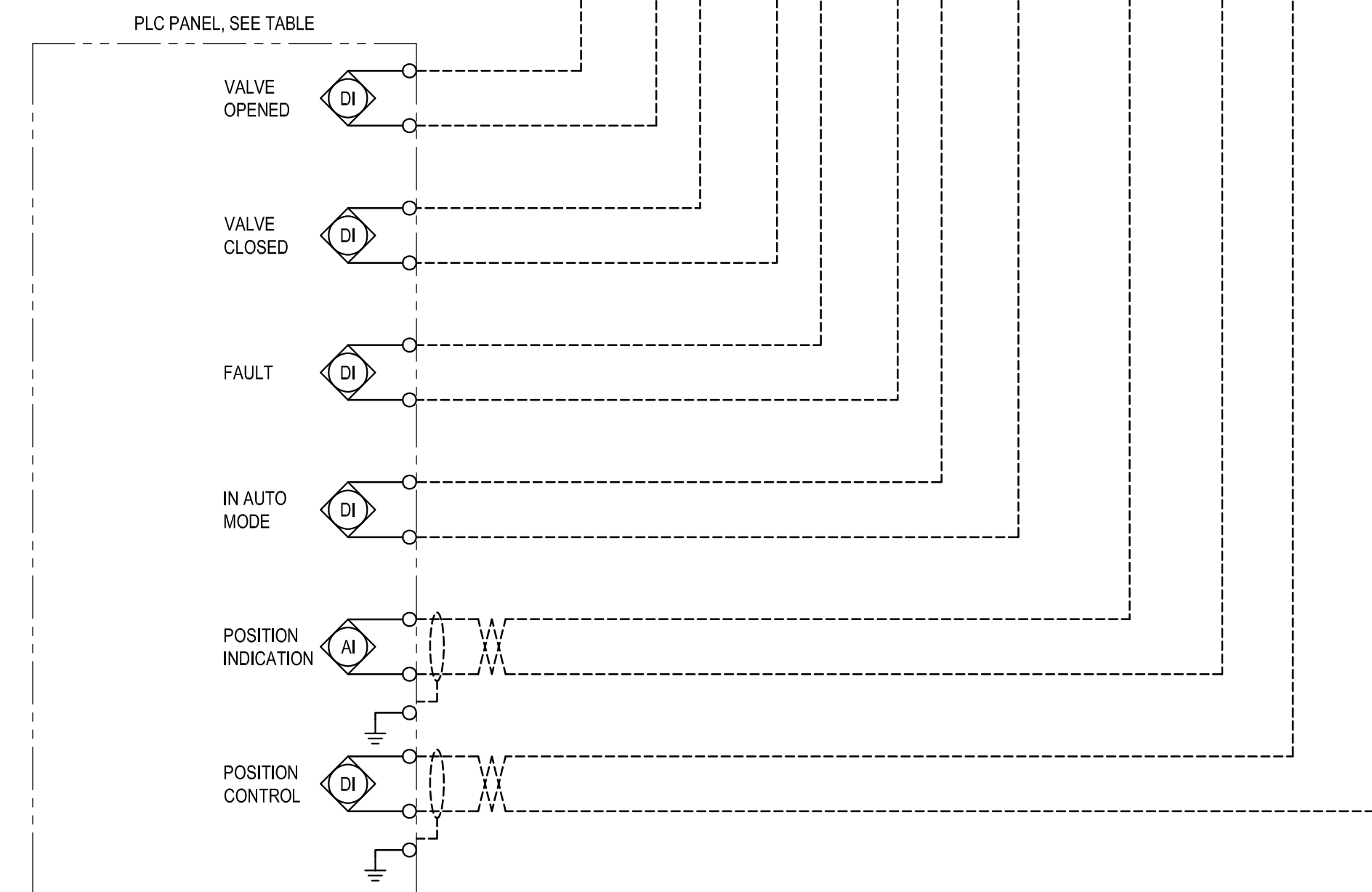
EQUIPMENT	PLC PANEL CONNECTION
FV-2012	
FV-2018	CP-301
FV-2030	
FC-4071	CP-400
FC-4072	

NOTES:

- CONTROL SCHEMATICS ON THIS DRAWING ARE INTENDED TO CONVEY CONTROL LOGIC ONLY. CONTRACTOR TO COORDINATE ALL WIRING INTERCONNECTIONS BETWEEN DEVICES, PANELS, EQUIPMENT, ETC., AND SUBMIT WIRING DIAGRAMS FOR APPROVAL DURING SHOP DRAWING SUBMITTAL PROCESS.
- FOR ALL DEVICES, PROVIDE LOCAL JUNCTION BOXES C/W DIN RAIL MOUNTED TERMINAL BLOCKS FOR TERMINATION OF SPARE CONDUCTORS.
- FOR ACTUATORS WITH CONTROLS SUPPLIED SEPARATE FROM THE ACTUATOR (OR IN ADDITION TO CONTROLS INTEGRATED WITH ACTUATOR), PROVIDE EQUIVALENT FUNCTIONALITY FOR REMOTE MONITORING AND CONTROL AS SHOWN IN THESE SCHEMATICS.

LEGEND:

- TERMINAL BLOCK IN MOTOR CONTROL CENTER (MCC)
- ⊗ TERMINAL BLOCK IN LOCAL CONTROL PANEL (LCP)
- TERMINAL BLOCK IN FIELD DEVICE
- TERMINAL BLOCK IN PLC PANEL



CONTROLS WIRING DIAGRAM

TYPICAL 600V, 3 PHASE MODULATING VALVE/GATE CONTROL
TYPICAL FOR EQUIPMENT SHOWN IN TABLE

DATE	No.	REVISION
2025/01/23	2	ISSUED FOR TENDER
2024/08/23	1	ISSUED FOR ECA APPROVAL

THE DRAWINGS, ARRANGEMENTS, ANNOTATIONS AND GRAPHICAL PRESENTATIONS ON THIS DOCUMENT ARE THE PROPERTY OF EVB ENGINEERING WHO RETAINS OWNERSHIP AND AUTHORITY OF THIS DOCUMENT IN ITS ENTIRETY. THIS DOCUMENT IS AN INSTRUMENT OF SERVICE AND IS THE INTELLECTUAL AND PHYSICAL PROPERTY OF EVB ENGINEERING. AUTHORIZED USE OF THIS DRAWING IS GRANTED SOLELY FOR THE PURPOSE OF THIS SPECIFIC PROJECT AND LOCATION, AND NOT FOR CONSTRUCTION OR USE FOR ANY OTHER PROJECT.
COPYRIGHT © 2024 EVB ENGINEERING.



CONSULTANT:

 800 SECOND STREET WEST
 CORNWALL, ONTARIO CANADA, K6J 1H6
 TEL: 813-935-3775 | FAX: 813-935-6450
 WEBSITE: EVBengineering.com

SUB-CONSULTANT:

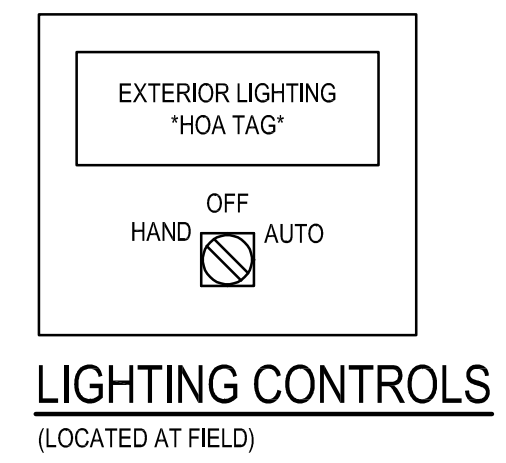
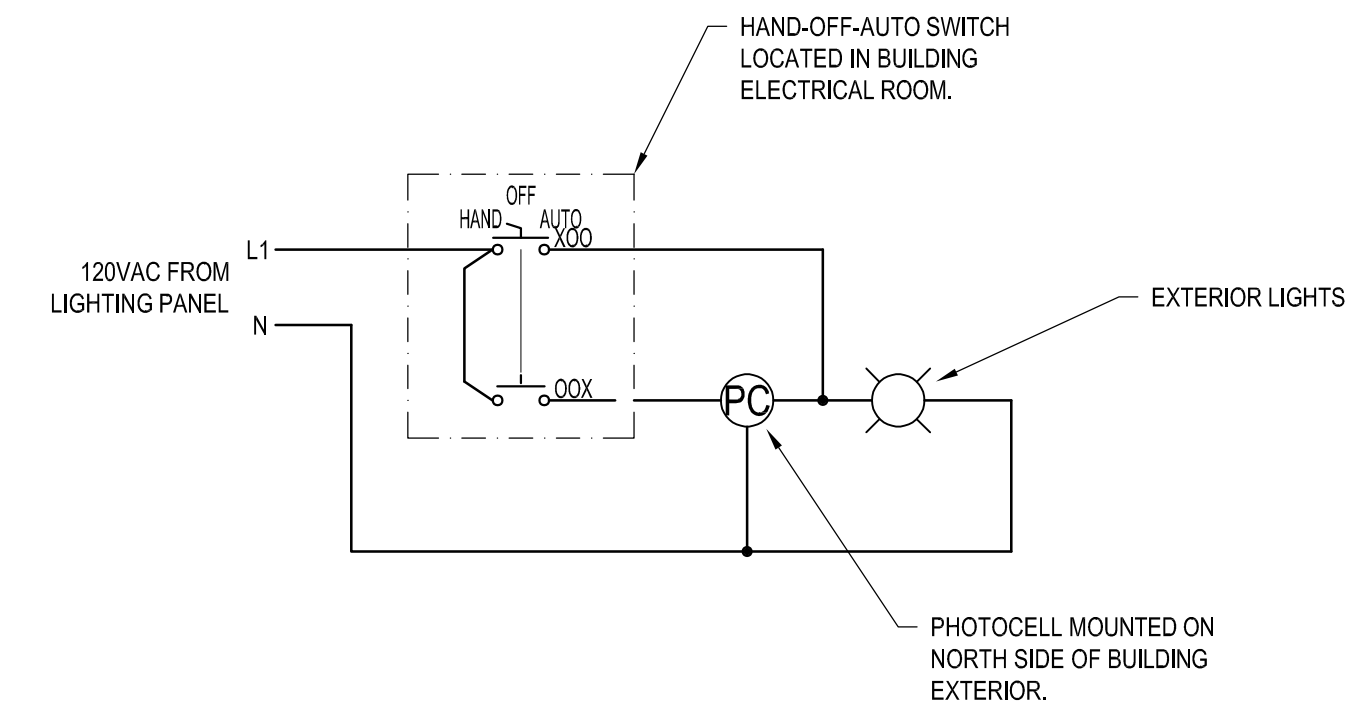
CLIENT:

 GREATER FOR MANY REASONS

PROJECT:
NEW NAPANEE WPCP

TITLE:
**CONTROL SCHEMATIC
 TYPICAL MODULATING
 VALVE / GATE**

SCALE: N.T.S.	JOB NO: 22001
DESIGNED BY: J.S.	DATE: 2025/01/23
DRAWN BY: B.M.	DRAWING NO.
CHECKED BY: J.S.	E0608

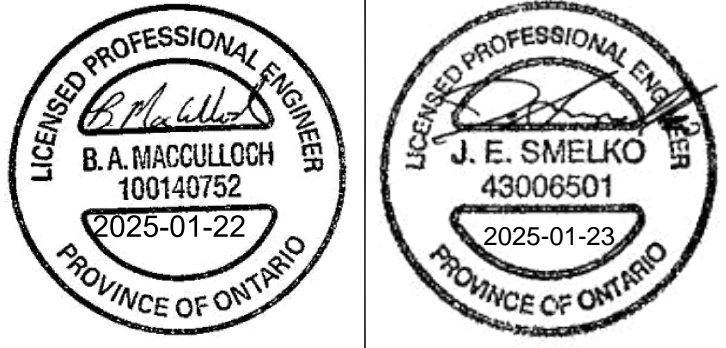


- NOTES:**
- PHOTOCELL MOUNTED ON "NORTH" SIDE OF BUILDING EXTERIOR.
 - REFER TO LIGHTING LAYOUT DRAWINGS FOR QTY AND LOCATION OF CONTROLS.

2 EXTERIOR LIGHTING CONTROLS
SCALE: N.T.S.

DATE	No.	REVISION
2025/01/23	2	ISSUED FOR TENDER
2024/08/23	1	ISSUED FOR ECA APPROVAL

THE DRAWINGS, ARRANGEMENTS, ANNOTATIONS AND GRAPHICAL PRESENTATIONS ON THIS DOCUMENT ARE THE PROPERTY OF EVB ENGINEERING WHO RETAINS OWNERSHIP AND AUTHORITY OF THIS DOCUMENT IN ITS ENTIRETY. THIS DOCUMENT IS AN INSTRUMENT OF SERVICE AND IS THE INTELLECTUAL AND PHYSICAL PROPERTY OF EVB ENGINEERING. AUTHORIZED USE OF THIS DRAWING IS GRANTED SOLELY FOR THE PURPOSE OF THIS SPECIFIC PROJECT AND LOCATION, AND NOT FOR CONSTRUCTION OR USE FOR ANY OTHER PROJECT.
COPYRIGHT © 2024 EVB ENGINEERING.



CONSULTANT:

EVB ENGINEERING
 800 SECOND STREET WEST
 CORNWALL, ONTARIO CANADA, K6J 1H6
 TEL: 613-885-3775 | FAX: 613-885-6450
 WEBSITE: EVBengineering.com

SUB-CONSULTANT:


CLIENT:

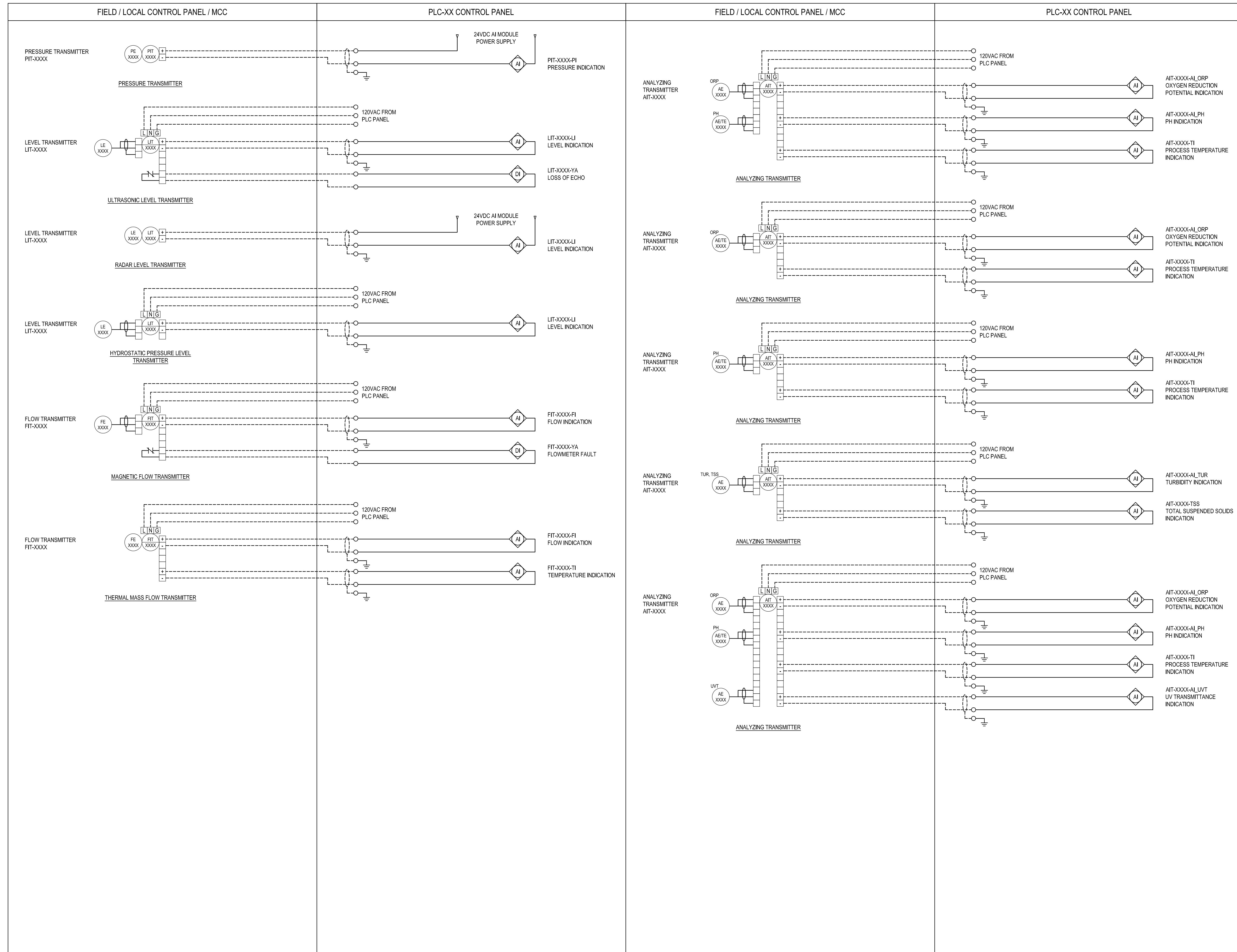
 Greater Napanee
 DELAID FOR MANY REASONS

PROJECT:
NEW NAPANEE WPCP

TITLE:
**CONTROL SCHEMATICS
 MISCELLANEOUS**

SCALE: N.T.S.	JOB NO: 22001
DESIGNED BY: J.E.S.	DATE: 2025/01/23
DRAWN BY: B.A.M.	DRAWING NO.:
CHECKED BY: J.E.S.	E0609

M:\2025\22001 - Napanee WPCP Upgrade\03 Drawings - WPCP\06 ELEC\22001 E0651-0602 Typ Inst Wiring.dwg Jan 16, 2025 4:58pm B7 (bans.mccaboon)

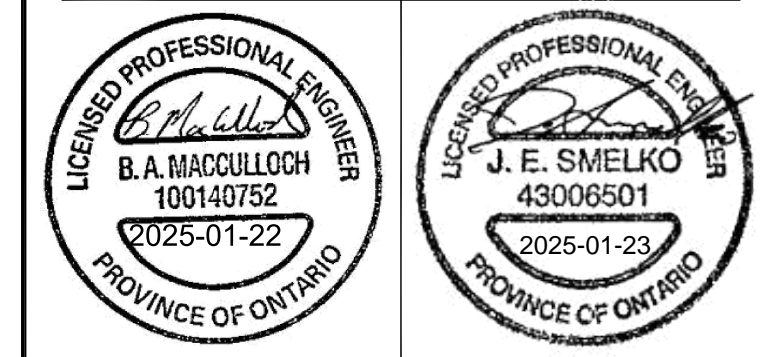


LEGEND:

- TERMINAL BLOCK IN LOCAL DEVICE
- ▣ TERMINAL BLOCK IN LOCAL PANEL
- TERMINAL BLOCK IN PLC PANEL

DATE	No.	REVISION
2025/01/23	2	ISSUED FOR TENDER
2024/08/23	1	ISSUED FOR ECA APPROVAL

THE DRAWINGS, ARRANGEMENTS, ANNOTATIONS AND GRAPHICAL PRESENTATIONS ON THIS DOCUMENT ARE THE PROPERTY OF EVB ENGINEERING WHO RETAINS OWNERSHIP AND AUTHORITY OF THIS DOCUMENT IN ITS ENTIRETY. THIS DOCUMENT IS AN INSTRUMENT OF SERVICE AND IS THE INTELLECTUAL AND PHYSICAL PROPERTY OF EVB ENGINEERING. AUTHORIZED USE OF THIS DRAWING IS GRANTED SOLELY FOR THE PURPOSE OF THIS SPECIFIC PROJECT AND LOCATION, AND NOT FOR CONSTRUCTION OR USE FOR ANY OTHER PROJECT. COPYRIGHT © 2024 EVB ENGINEERING.



CONSULTANT:
EVB ENGINEERING
 800 SECOND STREET WEST
 CORNWALL, ONTARIO CANADA, K6J 1H6
 TEL: 613-935-3775 | FAX: 613-935-6450
 WEBSITE: EVBengineering.com

SUB-CONSULTANT:
CIMA+

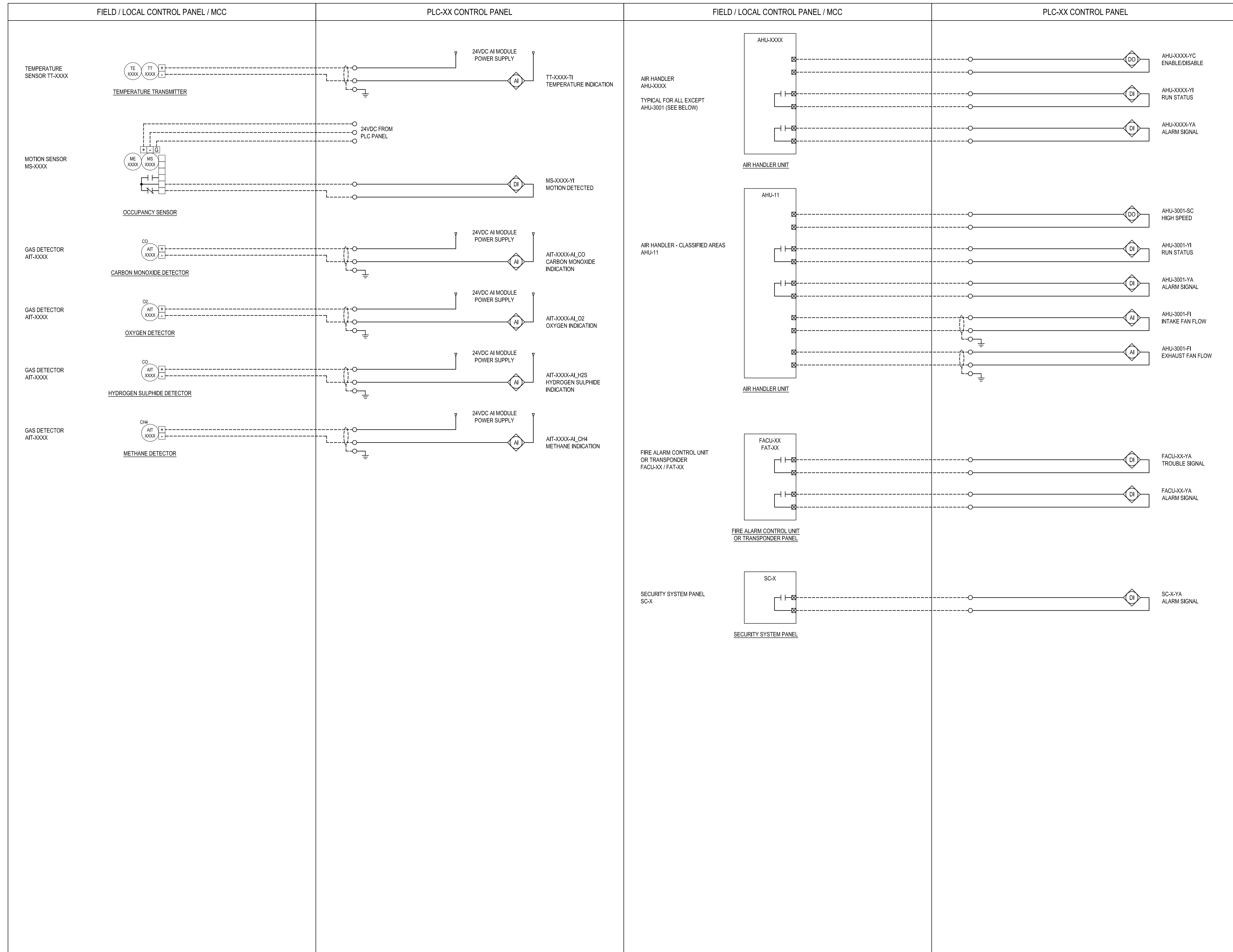
CLIENT:
Greater Napanee
 GREATER FOR MANY REASONS

PROJECT:
NEW NAPANEE WPCP

TITLE:
TYPICAL INSTRUMENTATION LOOP WIRING SCHEMATICS
 1 OF 2

SCALE: N.T.S.	JOB NO: 22001
DESIGNED BY: B.M.	DATE: 2025/01/23
DRAWN BY: B.M.	DRAWING NO. E0651
CHECKED BY: J.S.	

M:\2025\22001 - Napanee WPCP Upgrade\EID Draw - WPCP\PLC Elec\22001 E0651-0652 Typ Inst Wiring.dwg Jan 16, 2025 4:58pm E1 (dms.mccauloch)

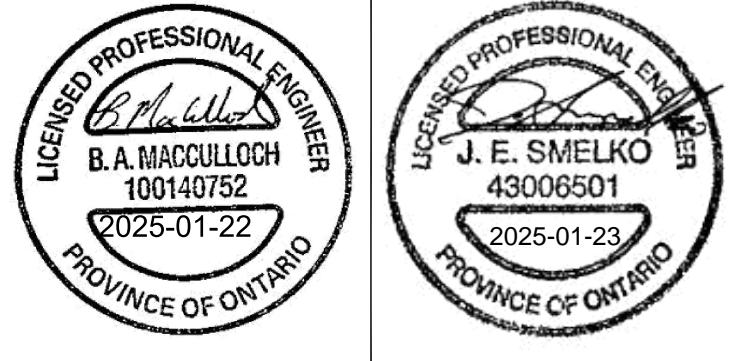


LEGEND:

- TERMINAL BLOCK IN LOCAL DEVICE
- ⊠ TERMINAL BLOCK IN LOCAL PANEL
- TERMINAL BLOCK IN PLC PANEL

DATE	No.	REVISION
2025/01/23	2	ISSUED FOR TENDER
2024/08/23	1	ISSUED FOR ECA APPROVAL

THE DRAWINGS, ARRANGEMENTS, ANNOTATIONS AND GRAPHICAL PRESENTATIONS ON THIS DOCUMENT ARE THE PROPERTY OF EVB ENGINEERING WHO RETAINS OWNERSHIP AND AUTHORITY OF THIS DOCUMENT IN ITS ENTIRETY. THIS DOCUMENT IS AN INSTRUMENT OF SERVICE AND IS THE INTELLECTUAL AND PHYSICAL PROPERTY OF EVB ENGINEERING. AUTHORIZED USE OF THIS DRAWING IS GRANTED SOLELY FOR THE PURPOSE OF THIS SPECIFIC PROJECT AND LOCATION, AND NOT FOR CONSTRUCTION OR USE FOR ANY OTHER PROJECT.
 COPYRIGHT © 2024 EVB ENGINEERING



CONSULTANT:
EVB ENGINEERING
 800 SECOND STREET WEST
 CORNWALL, ONTARIO CANADA, K6J 1H6
 TEL: 613-935-3775 | FAX: 613-935-6450
 WEBSITE: EVBengineering.com



CLIENT:

PROJECT:
NEW NAPANEE WPCP

TITLE:
TYPICAL INSTRUMENTATION LOOP WIRING SCHEMATICS
 2 OF 2

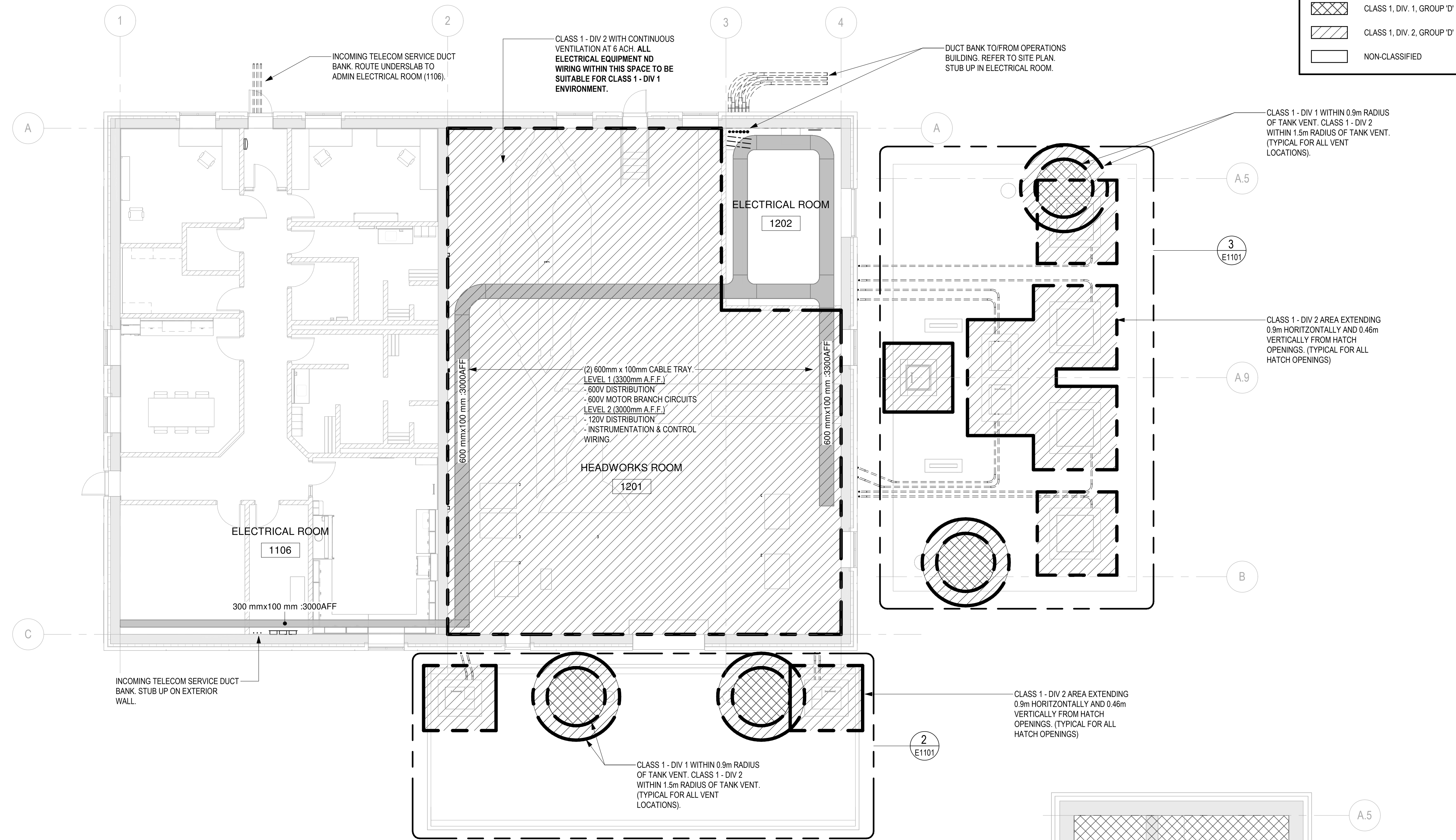
SCALE: N.T.S.	JOB NO: 22001
DESIGNED BY: B.M.	DATE: 2025/01/23
DRAWN BY: B.M.	DRAWING NO.:
CHECKED BY: J.S.	E0652

LEGEND:

	CLASS 1, DIV. 1, GROUP 'D'
	CLASS 1, DIV. 2, GROUP 'D'
	NON-CLASSIFIED

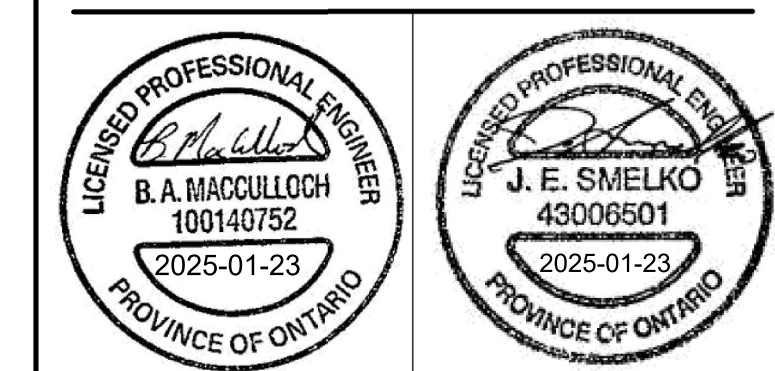
- GENERAL NOTES:**
- TRAY ELEVATIONS NOTED ABOVE FINISHED FLOOR (AFF) ARE TO THE UNDERSIDE OF CABLE TRAY. ELEVATIONS NOTED FROM BELOW CEILING (BC) ARE TO THE TOP OF CABLE TRAY.
 - ALL TRAY AND CABLE/CONDUIT THROUGH WALLS/FLOORS ARE TO BE COORDINATED WITH ARCHITECTURAL, MECHANICAL AND PROCESS TRADES.

- WIRING METHODS:**
- REFER TO ELECTRICAL SPECIFICATIONS AND SINGLE LINE DIAGRAMS FOR SPECIFIC CABLE, CONDUIT AND WIRING TYPES.
 - HAZARDOUS LOCATIONS:**
ARMoured POWER (TECK90) AND INSTRUMENTATION (ACIC) CABLE INSTALLED IN CABLE TRAY OR GALVANIZED RIGID STEEL CONDUIT ON UNISTRUT SUPPORTS CW FITTINGS RATED FOR AREA.
WHERE CONDUIT IS USED, PROVIDE HEAVY-DUTY LIQUID TIGHT FLEXIBLE METALLIC CONDUIT LEADS FOR FINAL CONNECTIONS TO ALL VIBRATING EQUIPMENT.



DATE	NO.	REVISION
2025/01/23	2	ISSUED FOR TENDER
2024/08/23	1	ISSUED FOR ECA APPROVAL

THE DRAWINGS, ARRANGEMENTS, ANNOTATIONS AND GRAPHICAL PRESENTATIONS ON THIS DOCUMENT ARE THE PROPERTY OF EVB ENGINEERING WHO RETAINS OWNERSHIP AND AUTHORITY OF THIS DOCUMENT IN ITS ENTIRETY. THIS DOCUMENT IS AN INSTRUMENT OF SERVICE AND IS THE INTELLECTUAL AND PHYSICAL PROPERTY OF EVB ENGINEERING. AUTHORIZED USE OF THIS DRAWING IS GRANTED SOLELY FOR THE PURPOSE OF THIS SPECIFIC PROJECT AND LOCATION, AND NOT FOR CONSTRUCTION OR USE FOR ANY OTHER PROJECT. COPYRIGHT © 2024 EVB ENGINEERING.



CONSULTANT:

 800 SECOND STREET WEST
 CORNWALL, ONTARIO CANADA, K6J 1H6
 TEL: 613-935-3775 | FAX: 613-935-6450
 WEBSITE: EVBengineering.com

SUB-CONSULTANT:

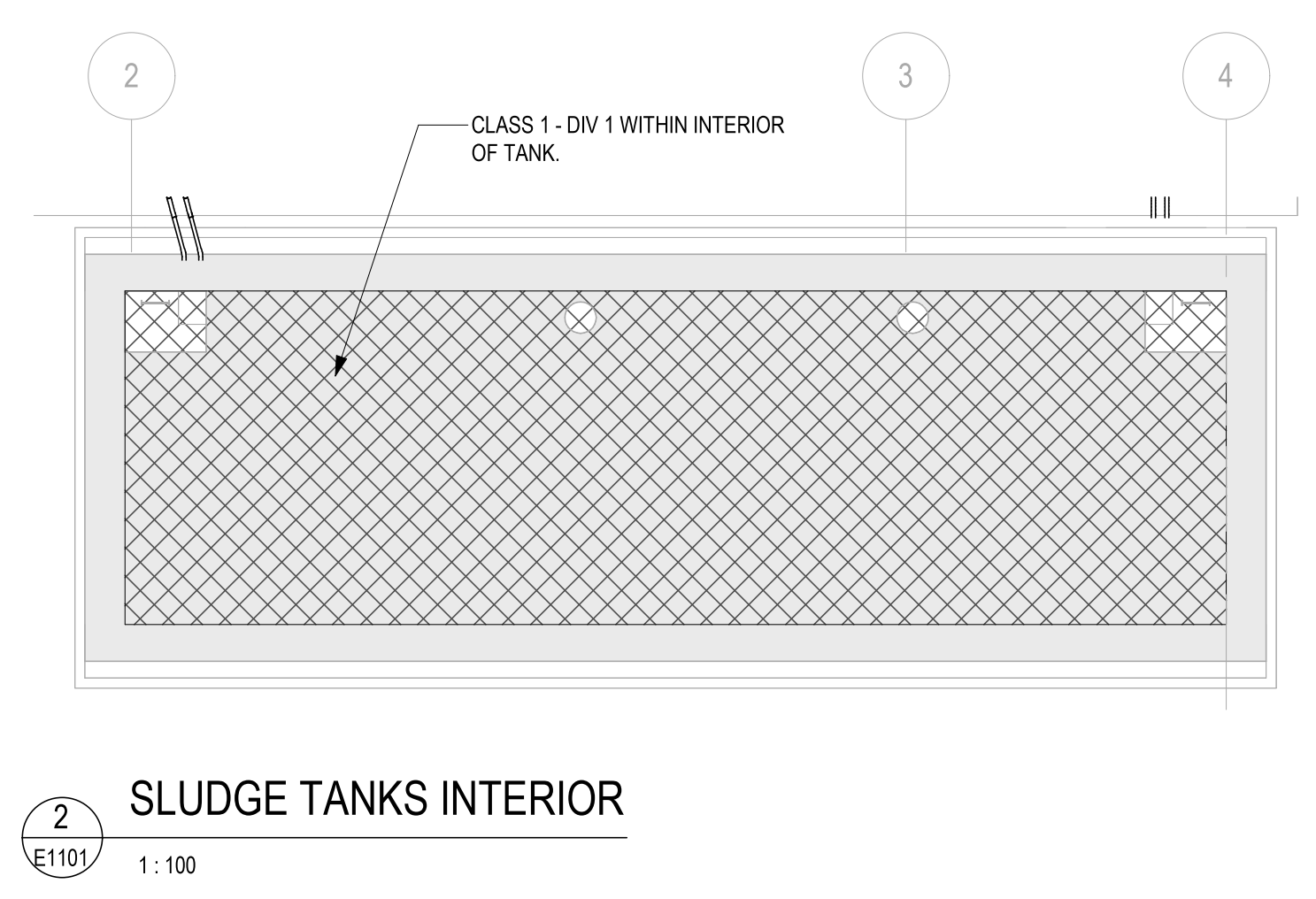
 CLIENT:

 GREATER FOR MANY REASONS

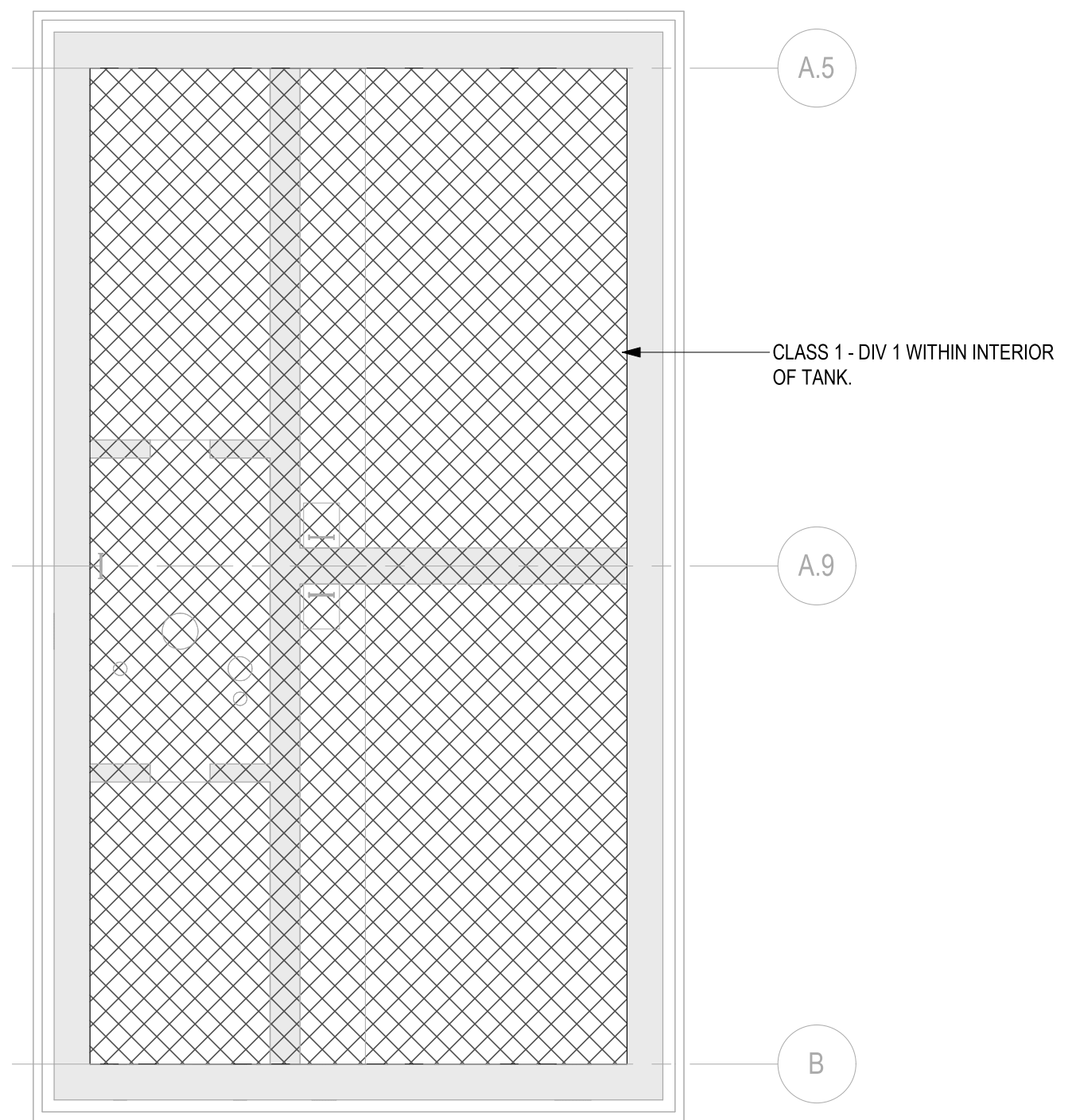
PROJECT:
NEW NAPANEE WPCP
 TITLE:
HEADWORKS / ADMIN - AREA CLASSIFICATION AND CABLE TRAY LAYOUT

SCALE: As Indicated	JOB NO: 22001
DESIGNED BY: B.A.M.	DATE: 2023/06/13
DRAWN BY: B.A.M.	DRAWING NO. E1101
CHECKED BY: J.E.S.	

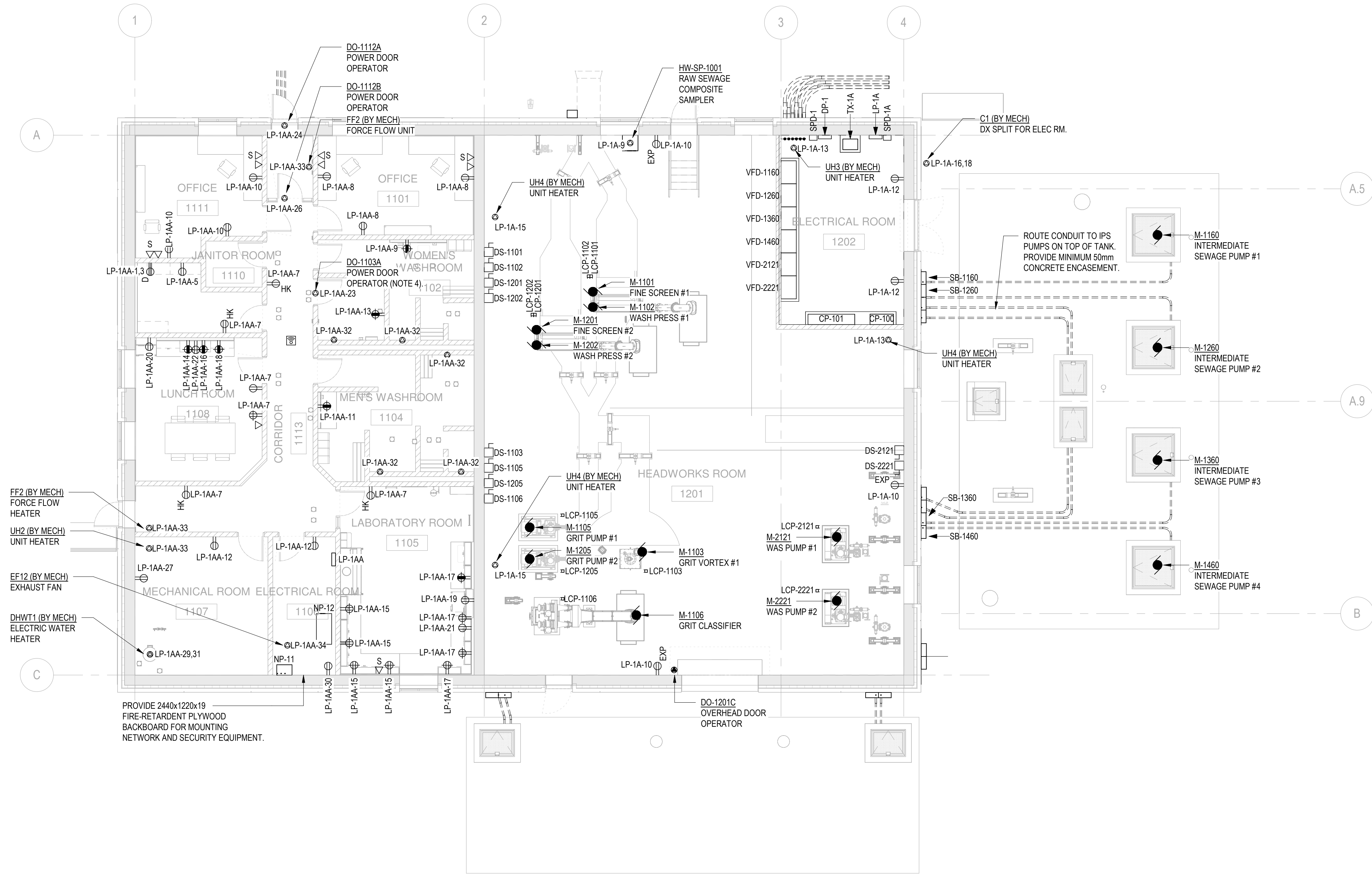
1
E1101
AREA CLASSIFICATION & CABLE TRAY LAYOUT - GROUND FLOOR
1:100



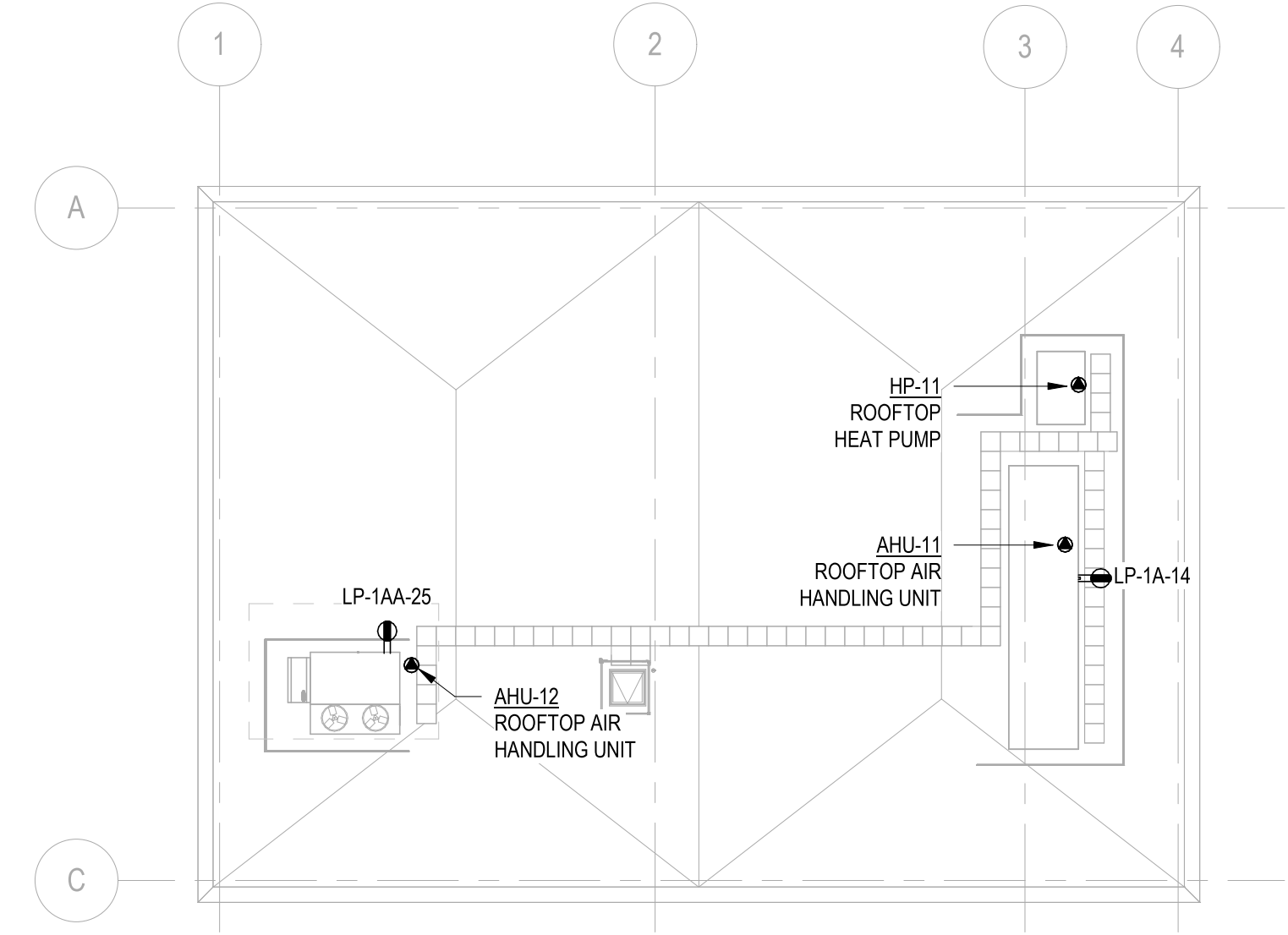
2
E1101
SLUDGE TANKS INTERIOR
1:100



3
E1101
IPS TANKS INTERIOR
1:100



1 POWER LAYOUT - GROUND FLOOR
E1111 1:100



2 ROOF PLAN - POWER AND SYSTEMS
E1111 1:200

- NOTES:**
- REFER TO E1151 FOR SINGLE LINE DIAGRAM.
 - REFER TO E1152 FOR LIGHTING PANEL SCHEDULES.
 - ROOFTOP UNITS TO INCLUDE FACTORY MOUNTED DISCONNECT AND GFCI RECEPTACLE. REFER TO SLD FOR 600V WIRING REQUIREMENTS. PROVIDE SEPARATE 120V-20A CIRCUIT TO CONVENIENCE RECEPTACLE.
 - PROVIDE AND INSTALL BARRIER FREE WASHROOM EMERGENCY CALL SYSTEM. REFER TO SPECS.

DATE	NO.	REVISION
2025/01/23	2	ISSUED FOR TENDER
2024/08/23	1	ISSUED FOR ECA APPROVAL

THE DRAWINGS, ARRANGEMENTS, ANNOTATIONS AND GRAPHICAL PRESENTATIONS ON THIS DOCUMENT ARE THE PROPERTY OF EVB ENGINEERING WHO RETAINS OWNERSHIP AND AUTHORITY OF THIS DOCUMENT IN ITS ENTIRETY. THIS DOCUMENT IS AN INSTRUMENT OF SERVICE AND IS THE INTELLECTUAL AND PHYSICAL PROPERTY OF EVB ENGINEERING. AUTHORIZED USE OF THIS DRAWING IS GRANTED SOLELY FOR THE PURPOSE OF THIS SPECIFIC PROJECT AND LOCATION, AND NOT FOR CONSTRUCTION OR USE FOR ANY OTHER PROJECT. COPYRIGHT © 2024 EVB ENGINEERING.



CONSULTANT:
 800 SECOND STREET WEST
 CORNWALL, ONTARIO CANADA, K6J 1H6
 TEL: 613-935-3775 | FAX: 613-935-6450
 WEBSITE: EVBengineering.com

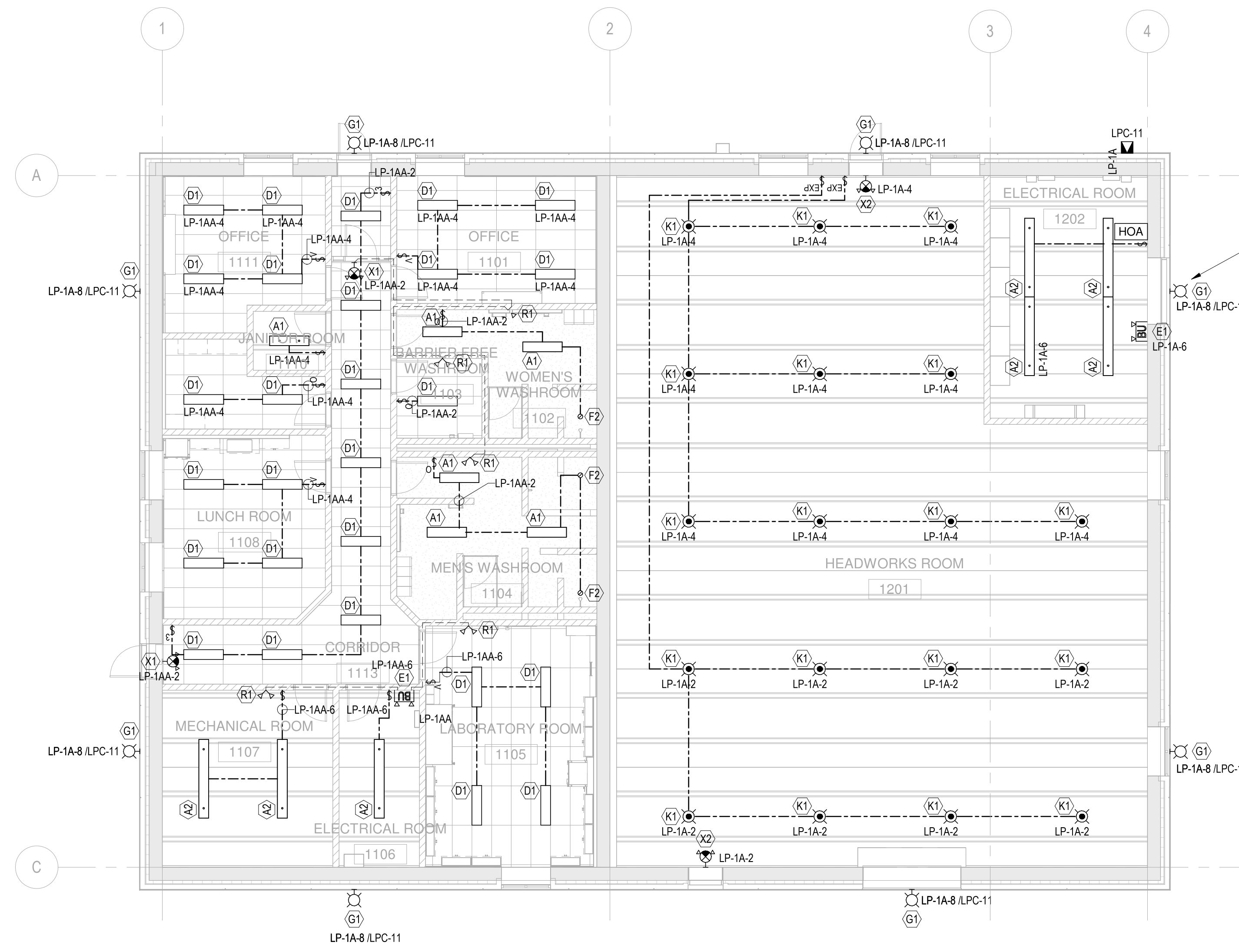
SUB-CONSULTANT:


CLIENT:
 Greater Napanee
 GREATER FOR MANY REASONS

PROJECT:
 NEW NAPANEE WPCP

TITLE:
 HEADWORKS / ADMIN -
 POWER LAYOUT

SCALE: As Indicated	JOB NO: 22001
DESIGNED BY: B.A.M.	DATE: 2023/06/13
DRAWN BY: B.A.M.	DRAWING NO.:
CHECKED BY: J.E.S.	E1111



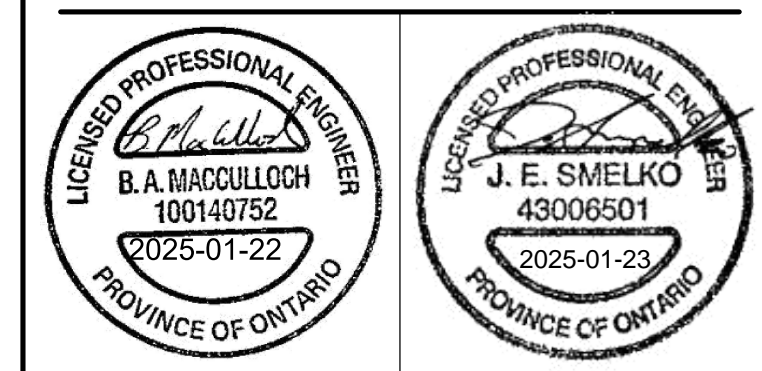
ALL EXTERIOR LIGHT FIXTURES TO BE MOUNTED AT 3000mm AFF OF ADMIN SIDE OF BUILDING (3860mm ABOVE HEADWORKS ROOM FLOOR).

1 LIGHTING LAYOUT - GROUND FLOOR
E1121 1:100

- NOTES:**
- EXTERIOR LIGHTING FIXTURES TO BE CONTROLLED BY 120V-15A PHOTOCELL LPC-11 MOUNTED ON NORTH SIDE OF BUILDING. PROVIDE HAND/OFF/AUTO (HOA) SELECTOR SWITCH IN ADMIN ELECTRICAL ROOM (1106) FOR MANUAL OVERRIDE.

DATE	NO.	REVISION
2025/01/23	2	ISSUED FOR TENDER
2024/08/23	1	ISSUED FOR ECA APPROVAL

THE DRAWINGS, ARRANGEMENTS, ANNOTATIONS AND GRAPHICAL PRESENTATIONS ON THIS DOCUMENT ARE THE PROPERTY OF EVB ENGINEERING WHO RETAINS OWNERSHIP AND AUTHORITY OF THIS DOCUMENT IN ITS ENTIRETY. THIS DOCUMENT IS AN INSTRUMENT OF SERVICE AND IS THE INTELLECTUAL AND PHYSICAL PROPERTY OF EVB ENGINEERING. AUTHORIZED USE OF THIS DRAWING IS GRANTED SOLELY FOR THE PURPOSE OF THIS SPECIFIC PROJECT AND LOCATION, AND NOT FOR CONSTRUCTION OR USE FOR ANY OTHER PROJECT. COPYRIGHT © 2024 EVB ENGINEERING.



CONSULTANT:
 800 SECOND STREET WEST
 CORNWALL, ONTARIO CANADA, K6J 1H6
 TEL: 613-935-3775 | FAX: 613-935-6450
 WEBSITE: EVBengineering.com

SUB-CONSULTANT:



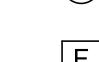
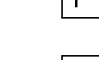
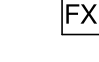




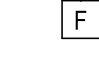

CLIENT:
 Greater Napanee
 GREATER FOR MANY REASONS

PROJECT:
 NEW NAPANEE WPCP

TITLE:
 HEADWORKS / ADMIN -
 LIGHTING LAYOUT

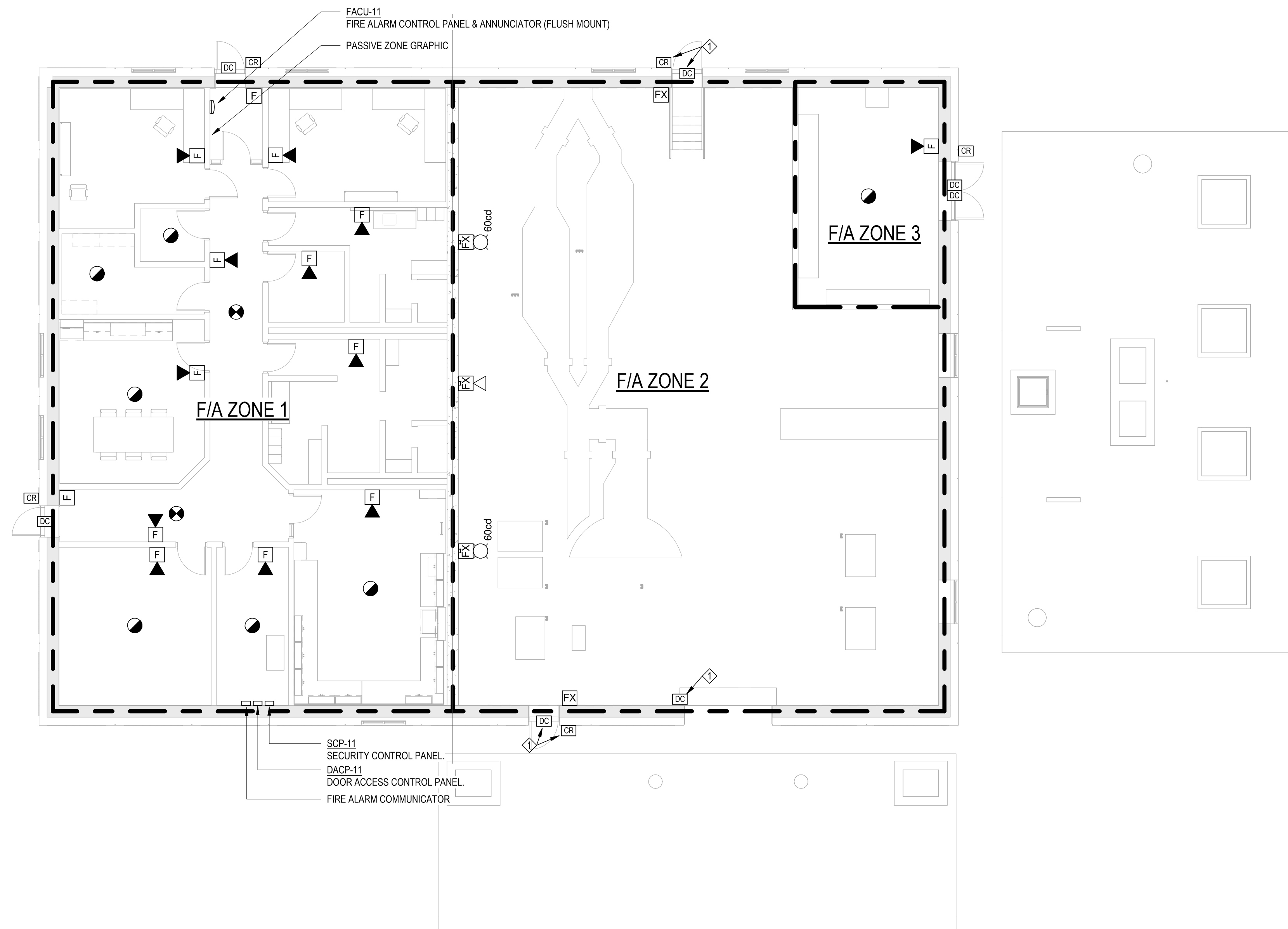
SCALE: 1:100	JOB NO: 22001
DESIGNED BY: B.A.M.	DATE: 2023/06/13
DRAWN BY: B.A.M.	DRAWING NO. E1121
CHECKED BY: J.E.S.	

LEGEND:

-  SMOKE DETECTOR - CEILING MOUNTED
-  EXP SMOKE DETECTOR - CEILING MOUNTED - SUITABLE FOR HAZARDOUS LOCATIONS
-  ADDRESSABLE FIRE ALARM PULL STATION
-  EXPLOSION PROOF FIRE ALARM PULL STATION SUITABLE FOR HAZARDOUS LOCATION.
-  EXPLOSION PROOF FIRE ALARM HORN SUITABLE FOR HAZARDOUS LOCATION
-  EXPLOSION PROOF FIRE ALARM STROBE SUITABLE FOR HAZARDOUS LOCATION - 60cd
-  FIRE ALARM COMBINATION HORN AND STROBE - WALL MOUNTED - 15cd UNLESS OTHERWISE NOTED.
-  DOOR ACCESS CONTROL CARD READER
-  DOOR CONTACT. PROVIDE INTRINSICALLY SAFE BARRIERS FOR HAZARDOUS LOCATIONS.
-  ELECTRIC STRIKE INSTALLED BY DOOR SUPPLIER AND WIRED BY THIS TRADE.

NOTES:

1. PROVIDE INTRINSICALLY SAFE DEVICES IN HAZARDOUS LOCATIONS.



2 FIRE & SECURITY LAYOUT - GROUND FLOOR
E1131 1:100

DATE	NO.	REVISION
2025/01/23	2	ISSUED FOR TENDER
2024/08/23	1	ISSUED FOR ECA APPROVAL

THE DRAWINGS, ARRANGEMENTS, ANNOTATIONS AND GRAPHICAL PRESENTATIONS ON THIS DOCUMENT ARE THE PROPERTY OF EVB ENGINEERING WHO RETAINS OWNERSHIP AND AUTHORITY OF THIS DOCUMENT IN ITS ENTIRETY. THIS DOCUMENT IS AN INSTRUMENT OF SERVICE AND IS THE INTELLECTUAL AND PHYSICAL PROPERTY OF EVB ENGINEERING. AUTHORIZED USE OF THIS DRAWING IS GRANTED SOLELY FOR THE PURPOSE OF THIS SPECIFIC PROJECT AND LOCATION, AND NOT FOR CONSTRUCTION OR USE FOR ANY OTHER PROJECT. COPYRIGHT © 2024 EVB ENGINEERING.



CONSULTANT:
 **EVB ENGINEERING**
 800 SECOND STREET WEST
 CORNWALL, ONTARIO CANADA, K6J 1H6
 TEL: 613-935-3775 | FAX: 613-935-6450
 WEBSITE: EVBengineering.com

SUB-CONSULTANT:

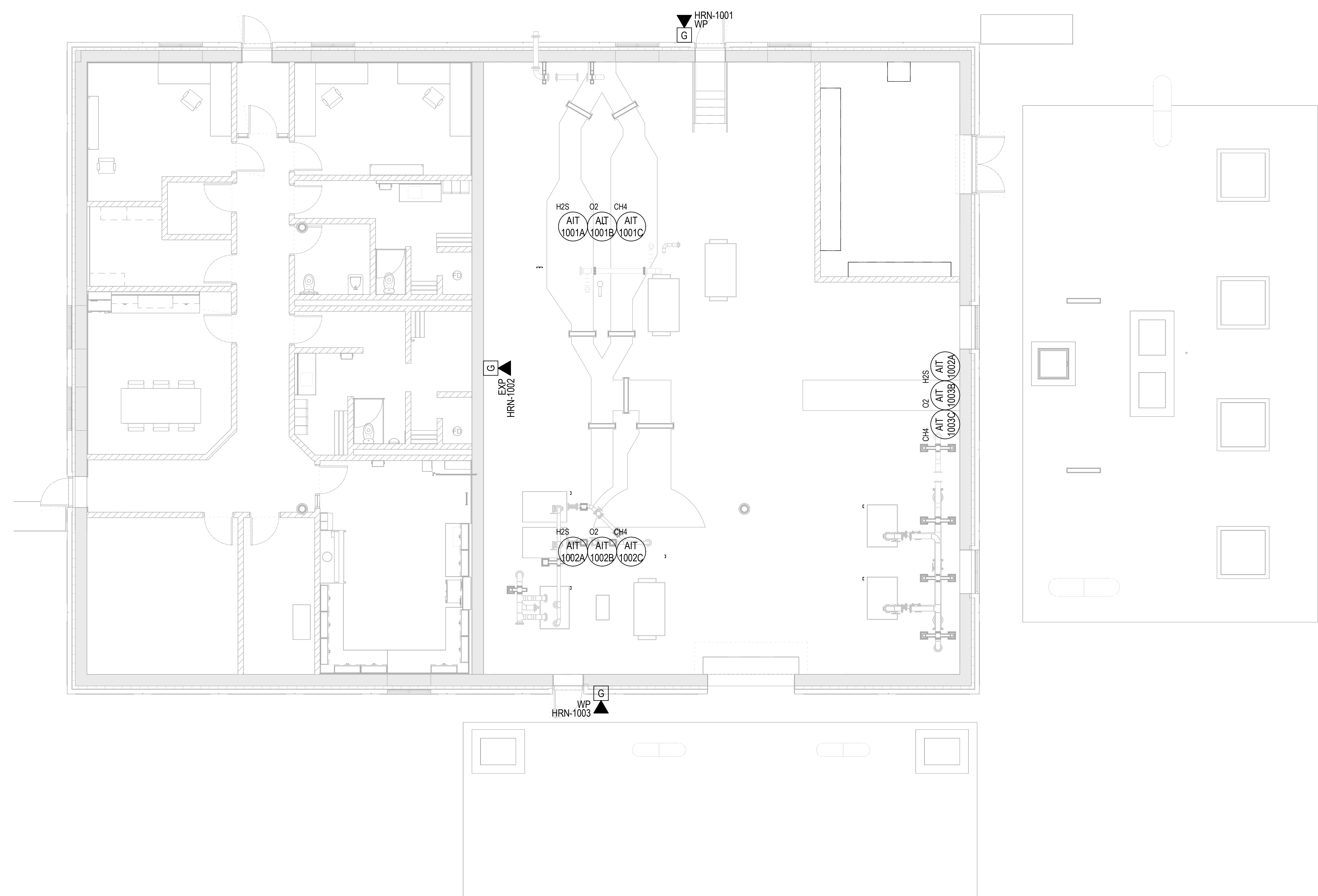

CLIENT:

 GREATER FOR MANY REASONS

PROJECT:
NEW NAPANEE WPCP

TITLE:
HEADWORKS / ADMIN - FIRE & SECURITY LAYOUT

SCALE: As Indicated	JOB NO: 22001
DESIGNED BY: B.A.M.	DATE: 2023/06/13
DRAWN BY: B.A.M.	DRAWING NO. E1131
CHECKED BY: J.E.S.	



2
E1141 1:100
GAS DETECTION SYSTEM LAYOUT - GROUND FLOOR

NOTES:

1. IDENTIFY ALL GAS SENSORS AND HORN/STROBES WITH LAMICOID NAMEPLATES.
2. INSTALLATION, TERMINATION AND CONFIGURATION OF DETECTION SYSTEM AND INTERCONNECTS BY DIVISION 26.

DATE	NO.	REVISION
2025/01/23	2	ISSUED FOR TENDER
2024/08/23	1	ISSUED FOR ECA APPROVAL

THE DRAWINGS, ARRANGEMENTS, ANNOTATIONS AND GRAPHICAL PRESENTATIONS ON THIS DOCUMENT ARE THE PROPERTY OF EVB ENGINEERING WHO RETAINS OWNERSHIP AND AUTHORITY OF THIS DOCUMENT IN ITS ENTIRETY. THIS DOCUMENT IS AN INSTRUMENT OF SERVICE AND IS THE INTELLECTUAL AND PHYSICAL PROPERTY OF EVB ENGINEERING. AUTHORIZED USE OF THIS DRAWING IS GRANTED SOLELY FOR THE PURPOSE OF THIS SPECIFIC PROJECT AND LOCATION, AND NOT FOR CONSTRUCTION OR USE FOR ANY OTHER PROJECT.
COPYRIGHT © 2024 EVB ENGINEERING.



CONSULTANT:

 800 SECOND STREET WEST
 CORNWALL, ONTARIO CANADA, K6J 1H6
 TEL: 613-835-3775 | FAX: 613-835-6450
 WEBSITE: EVBengineering.com

SUB-CONSULTANT:

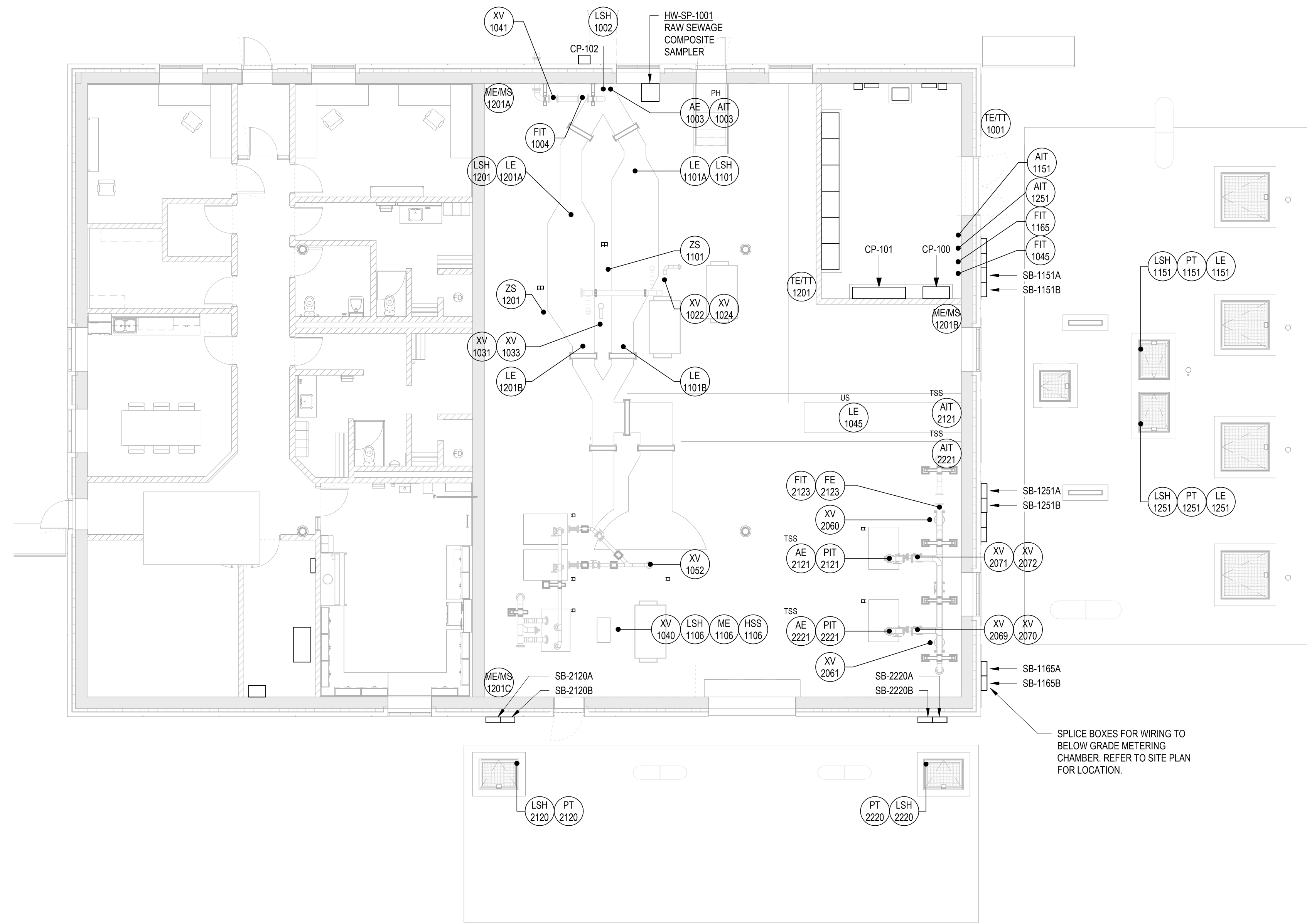

CLIENT:

 GREATER FOR MANY REASONS

PROJECT:
 NEW NAPANEE WPCP

TITLE:
 HEADWORKS / ADMIN - GAS DETECTION SYSTEM LAYOUT

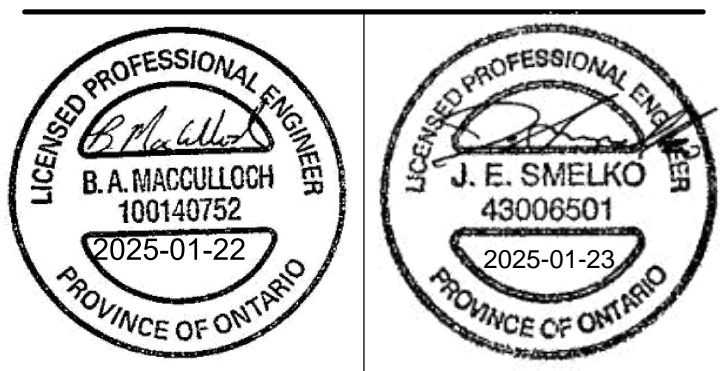
SCALE: 1:100	JOB NO: 22001
DESIGNED BY: B.A.M.	DATE: 2023/06/13
DRAWN BY: B.A.M.	DRAWING NO. E1141
CHECKED BY: J.E.S.	



2 INSTRUMENTATION LAYOUT - GROUND FLOOR
 E1151 1: 100

DATE	NO.	REVISION
2025/01/23	2	ISSUED FOR TENDER
2024/08/23	1	ISSUED FOR ECA APPROVAL

THE DRAWINGS, ARRANGEMENTS, ANNOTATIONS AND GRAPHICAL PRESENTATIONS ON THIS DOCUMENT ARE THE PROPERTY OF EVB ENGINEERING WHO RETAINS OWNERSHIP AND AUTHORITY OF THIS DOCUMENT IN ITS ENTIRETY. THIS DOCUMENT IS AN INSTRUMENT OF SERVICE AND IS THE INTELLECTUAL AND PHYSICAL PROPERTY OF EVB ENGINEERING. AUTHORIZED USE OF THIS DRAWING IS GRANTED SOLELY FOR THE PURPOSE OF THIS SPECIFIC PROJECT AND LOCATION, AND NOT FOR CONSTRUCTION OR USE FOR ANY OTHER PROJECT.
 COPYRIGHT © 2024 EVB ENGINEERING.



CONSULTANT:
EVB ENGINEERING
 800 SECOND STREET WEST
 CORNWALL, ONTARIO CANADA, K6J 1H6
 TEL: 613-935-3775 | FAX: 613-935-6450
 WEBSITE: EVBengineering.com

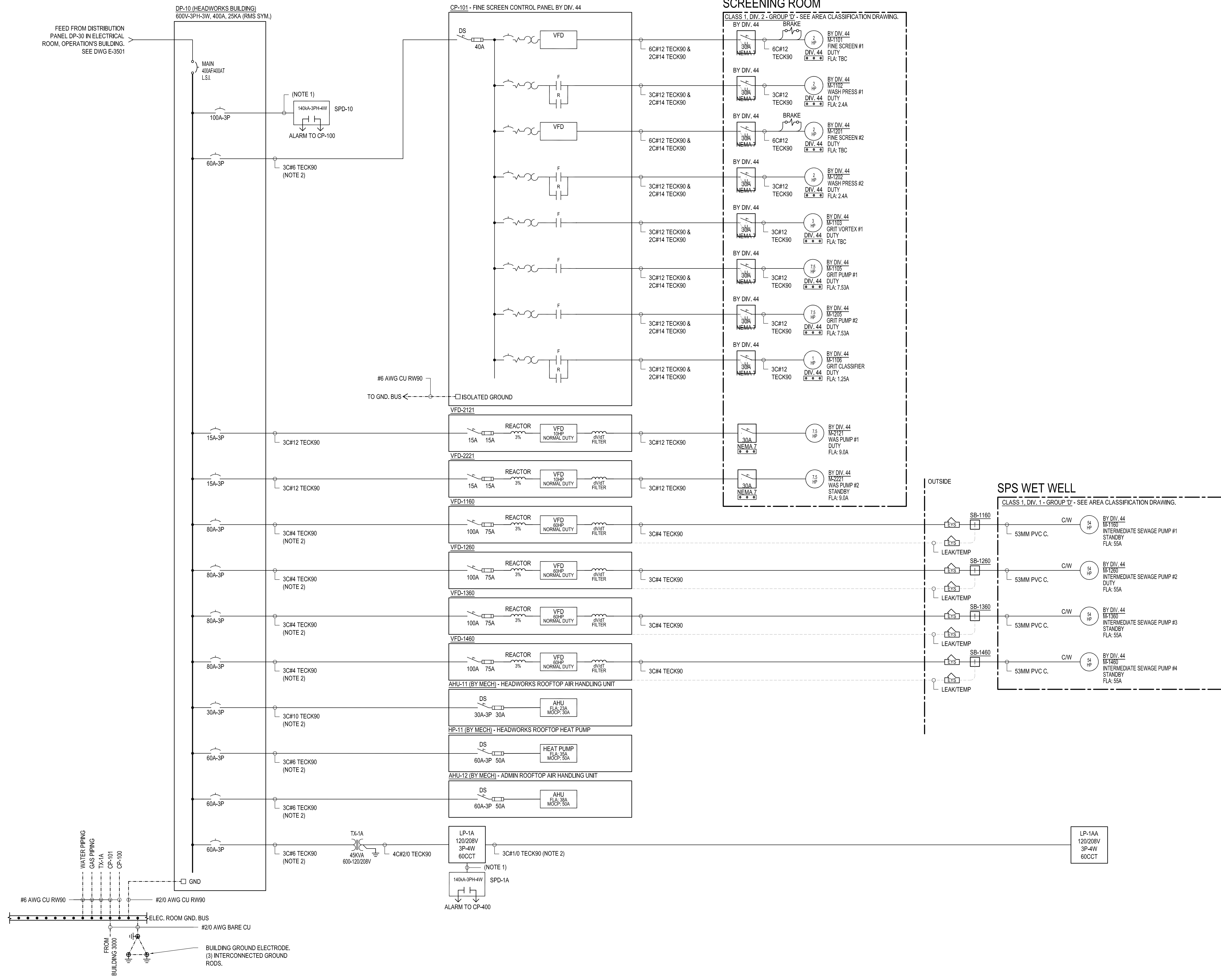
SUB-CONSULTANT:
CIMA+

CLIENT:
Greater Napanee
 GREATER FOR MANY REASONS

PROJECT:
NEW NAPANEE WPCP

TITLE:
**HEADWORKS / ADMIN -
 INSTRUMENTATION LAYOUT**

SCALE: 1: 100	JOB NO: 22001
DESIGNED BY: B.A.M.	DATE: 2023/06/13
DRAWN BY: B.A.M.	DRAWING NO.:
CHECKED BY: J.E.S.	E1151

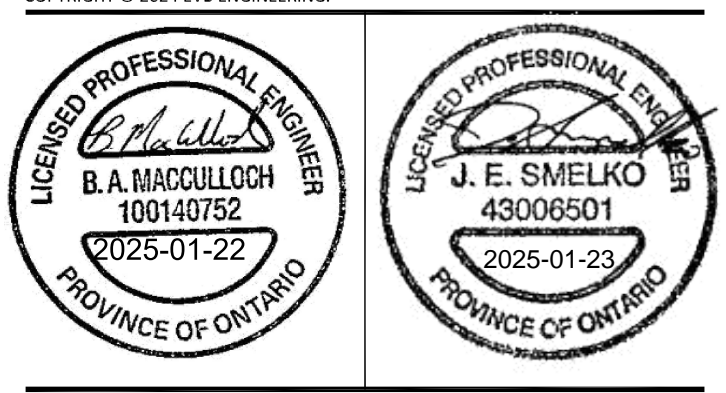


NOTES:

- SURGE PROTECTIVE DEVICE TO BE CLOSE COUPLED TO PANEL BOARD WITH SUPPLY LEADS AS SHORT AS PRACTICABLE.
- PROVIDE MINIMUM 1 CABLE DIAMETER CLEARANCE FROM ADJACENT CABLES WITHIN CABLE TRAY WHERE INDICATED.

DATE	No.	REVISION
2025/01/23	2	ISSUED FOR TENDER
2024/08/23	1	ISSUED FOR ECA APPROVAL

THE DRAWINGS, ARRANGEMENTS, ANNOTATIONS AND GRAPHICAL PRESENTATIONS ON THIS DOCUMENT ARE THE PROPERTY OF EVB ENGINEERING WHO RETAINS OWNERSHIP AND AUTHORITY OF THIS DOCUMENT IN ITS ENTIRETY. THIS DOCUMENT IS AN INSTRUMENT OF SERVICE AND IS THE INTELLECTUAL AND PHYSICAL PROPERTY OF EVB ENGINEERING. AUTHORIZED USE OF THIS DRAWING IS GRANTED SOLELY FOR THE PURPOSE OF THIS SPECIFIC PROJECT AND LOCATION, AND NOT FOR CONSTRUCTION OR USE FOR ANY OTHER PROJECT.
COPYRIGHT © 2024 EVB ENGINEERING.



CONSULTANT:

EVB ENGINEERING
800 SECOND STREET WEST
CORNWALL, ONTARIO CANADA, K6J 1H6
TEL: 813-935-3775 | FAX: 813-935-6450
WEBSITE: EVBengineering.com



CLIENT:

Greater Napanee
CREATED FOR MANY REASONS

PROJECT:

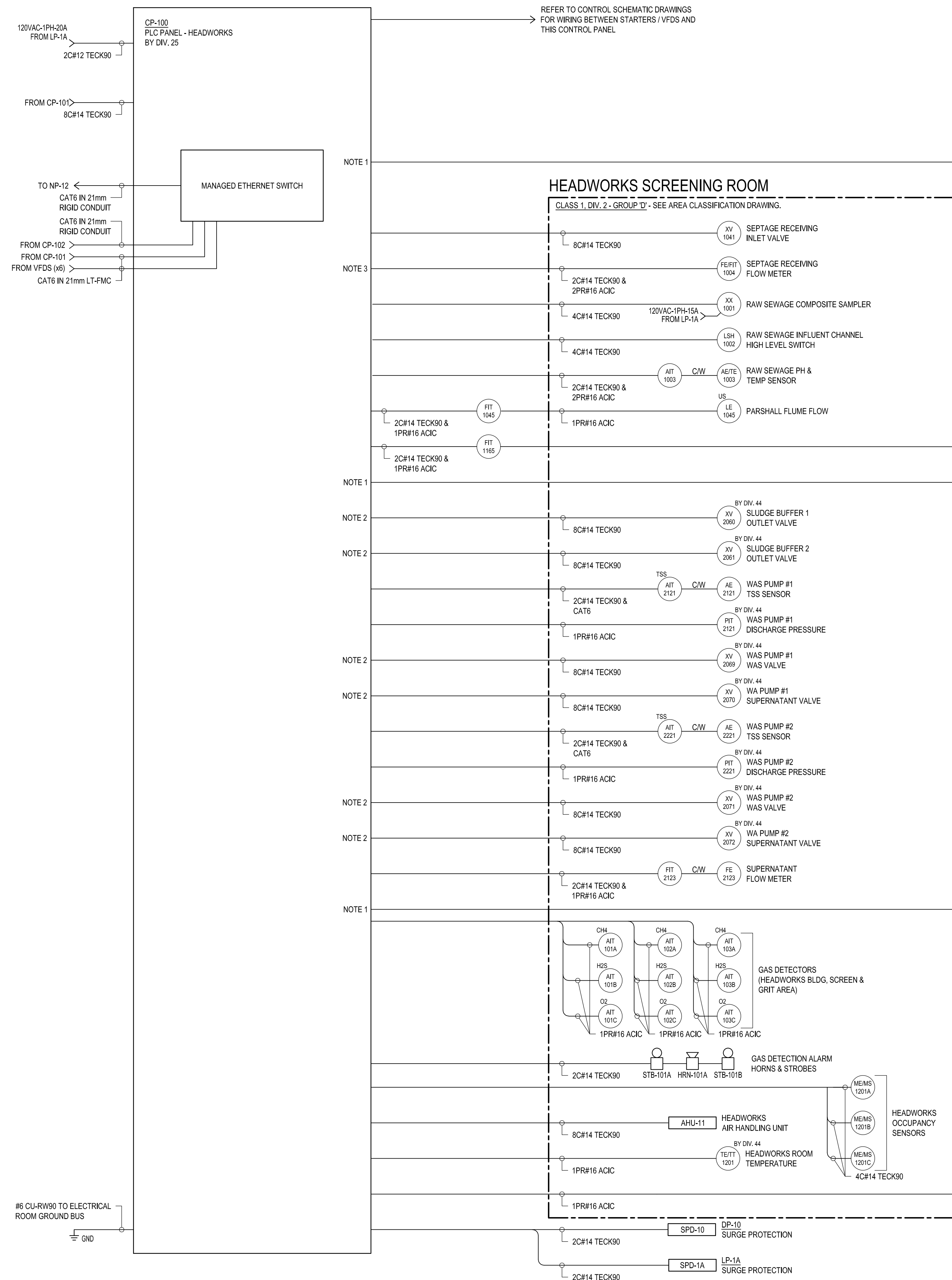
NEW NAPANEE WPCP

TITLE:

**BUILDING 1000
HEADWORKS / ADMIN
SINGLE LINE DIAGRAM**

SCALE: N.T.S.	JOB NO: 22001
DESIGNED BY: B.M.	DATE: 2025/01/23
DRAWN BY: B.M.	DRAWING NO.
CHECKED BY: J.S.	E1501

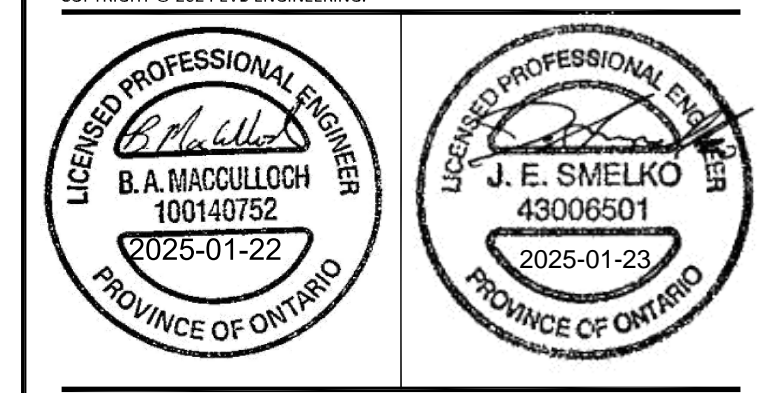
M:\2025\22001 - Napanee WPCP - Upgrade\610.Dwg - WPCP\610.Elec\22001-6501-1-SD.dwg, Jan 16, 2024, 4:29pm (B:\mud\mud\kib)



- NOTES:**
- INTRINSICALLY SAFE RELAY REQUIRED FOR FLOAT SWITCHES.
 - VALUES REQUIRE (2) DIGITAL INPUTS & (1) DIGITAL OUTPUT.
 - HIGH-SPEED DIGITAL INPUT CARD MAY BE REQUIRED FOR TOTALIZING INPUT FROM FLOW METER, DIV. 25 TO VERIFY.

DATE	No.	REVISION
2025/01/23	2	ISSUED FOR TENDER
2024/08/23	1	ISSUED FOR ECA APPROVAL

THE DRAWINGS, ARRANGEMENTS, ANNOTATIONS AND GRAPHICAL PRESENTATIONS ON THIS DOCUMENT ARE THE PROPERTY OF EVB ENGINEERING WHO RETAINS OWNERSHIP AND AUTHORITY OF THIS DOCUMENT IN ITS ENTIRETY. THIS DOCUMENT IS AN INSTRUMENT OF SERVICE AND IS THE INTELLECTUAL AND PHYSICAL PROPERTY OF EVB ENGINEERING. AUTHORIZED USE OF THIS DRAWING IS GRANTED SOLELY FOR THE PURPOSE OF THIS SPECIFIC PROJECT AND LOCATION, AND NOT FOR CONSTRUCTION OR USE FOR ANY OTHER PROJECT.
COPYRIGHT © 2024 EVB ENGINEERING.



CONSULTANT:

EVB ENGINEERING
800 SECOND STREET WEST
CORNWALL, ONTARIO CANADA, K6J 1H6
TEL: 613-935-3775 | FAX: 613-935-6450
WEBSITE: EVBengineering.com



CLIENT:

Greater Napanee
DELIVERING FOR MANY REASONS

PROJECT:

NEW NAPANEE WPCP

TITLE:

CP-100 WIRING DIAGRAM

SCALE:	JOB NO:
N.T.S.	22001
DESIGNED BY:	DATE:
B.M.	2025/01/23
DRAWN BY:	DRAWING NO.
B.M.	
CHECKED BY:	
J.S.	E1551

M:\2025\22001 - Napanee WPCP Upgrade\6.0 Drawings - WPCP\PLC\Elec\22001-ES-050.cxd - CP Wiring.dwg - Jan 22, 2025 - 4:46pm (B:\nmal.mosakbch)

Panel: LP-1AA

Location: ELECTRICAL ROOM 1105 Volts: 120/208 Wye A.I.C. Rating: 10kAIC
 Supply From: LP-1A Phases: 3 Mains Type: MAIN BREAKER
 Mounting: Surface Wires: 4 Mains Rating: 100 A
 Enclosure: NEMA 12 Dust tight Circuits: 42

CCT	DESCRIPTION	BKR	A	B	C	BKR	DESCRIPTION	CCT
1,3	ELECTRIC CLOTHES DRYER	2P-30 A				1P-20 A	LIGHTING - CORRIDOR/WASHROOMS	2
						1P-20 A	LIGHTING OFFICES / LUNCH ROOM	4
5	CLOTHES WASHER	1P-20 A				1P-20 A	LIGHTING - ELEC/MECH/LAB	6
7	RECEPTACKES - HOUSKEEPING	1P-20 A				1P-20 A	RECEPTACKES - OFFICE 1101	8
9	RECEPTACLE - WOMEN'S WASHROOM	1P-20 A				1P-20 A	RECEPTACKES - OFFICE 1111	10
11	RECEPTACLE - MEN'S WASHROOM	1P-20 A				1P-20 A	RECEPTACKES - ELEC/MECH ROOM	12
13	RECEPTACLE - BF WASHROOM	1P-20 A				1P-20 A	RECEPTACKES - LUNCH ROOM...	14
15	RECEPTACKES - LAB COUNTER - WEST	1P-20 A				1P-20 A	RECEPTACKES - LUNCH ROOM...	16
17	RECEPTACKES - LAB COUNTER - EAST	1P-20 A				1P-20 A	RECEPTACKES - LUNCH ROOM...	18
19	LAB - REFRIGERATOR	1P-15 A				1P-15 A	LUNCH ROOM - REFRIGERATOR	20
21	LAB - INCUBATOR	1P-15 A				1P-15 A	LUNCH ROOM - MICROWAVE	22
23	BARRIER FREE WASHROOM	1P-20 A				1P-15 A	DOOR OPERATOR - DO-1112A	24
25	AHU-12 RECEPTACLE	1P-20 A				1P-15 A	DOOR OPERATOR - DO-1112B	26
27	RP - HOT WATER RECIRC. PUMP	1P-20 A				1P-20 A	NP-11 - IT RACK & SECURITY SYSTEM	28
29,31	Other	2P-40 A				1P-20 A	NP-12 - SCADA RACK	30
						1P-20 A	WASHROOM FLUSH VALVES	32
33	UNIT HEATERS - ADMIN	1P-20 A				1P-20 A	EF11 - EXHAUST FAN	34
35	Space	1P-				1P-	Space	36
37	Space	1P-				1P-	Space	38
39	Space	1P-				1P-	Space	40
41	Space	1P-				1P-15 A	FIRE ALARM SYSTEM	42

Notes:

Panel: LP-1A

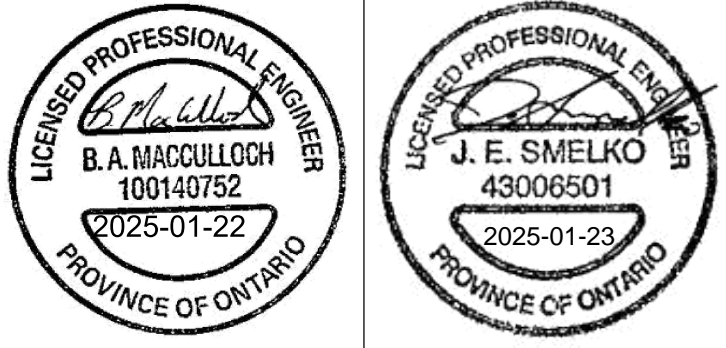
Location: ELECTRICAL ROOM 1202 Volts: 120/208 Wye A.I.C. Rating: 10kAIC
 Supply From: TX-1A Phases: 3 Mains Type: MLO
 Mounting: Surface Wires: 4 Mains Rating: 200 A
 Enclosure: NEMA 12 Dust tight Circuits: 42

CCT	DESCRIPTION	BKR	A	B	C	BKR	DESCRIPTION	CCT
1,3,5	LP-1AA	3P-100 A				1P-20 A	LIGHTING - SCREENING ROOM	2
						1P-20 A	LIGHTING - SCREENING ROOM	4
						1P-20 A	LIGHTING - ELECTRICAL ROOM	6
7	CP-100	1P-20 A				1P-20 A	LIGHTING - EXTERIOR	8
9	RAW SEWAGE COMPOSITE SAMPLER	1P-15 A				1P-20 A	RECEPTACKES - HEADWORKS	10
11	CP-102	1P-20 A				1P-20 A	RECEPTACKES - ELECTRICAL ROOM	12
13	UNIT HEATERS - HEADWORKS	1P-20 A				1P-20 A	RECEPTACLE - AHU-11	14
15	Other	1P-20 A				2P-40 A	C1 - ELEC ROOM A/C UNIT	16,18
31	Space	1P-				1P-	Space	32
33	Space	1P-				1P-	Space	34
35	Space	1P-				1P-	Space	36
37	Space	1P-				1P-	Space	38
39	Space	1P-				3P-100 A	SPD-1A	38,40,42
41	Space	1P-						

Notes:

DATE	NO.	REVISION
2025/01/23	2	ISSUED FOR TENDER
2024/08/23	1	ISSUED FOR ECA APPROVAL

THE DRAWINGS, ARRANGEMENTS, ANNOTATIONS AND GRAPHICAL PRESENTATIONS ON THIS DOCUMENT ARE THE PROPERTY OF EVB ENGINEERING WHO RETAINS OWNERSHIP AND AUTHORITY OF THIS DOCUMENT IN ITS ENTIRETY. THIS DOCUMENT IS AN INSTRUMENT OF SERVICE AND IS THE INTELLECTUAL AND PHYSICAL PROPERTY OF EVB ENGINEERING. AUTHORIZED USE OF THIS DRAWING IS GRANTED SOLELY FOR THE PURPOSE OF THIS SPECIFIC PROJECT AND LOCATION, AND NOT FOR CONSTRUCTION OR USE FOR ANY OTHER PROJECT. COPYRIGHT © 2024 EVB ENGINEERING.



CONSULTANT:
 800 SECOND STREET WEST
 CORNWALL, ONTARIO CANADA, K6J 1H6
 TEL: 613-835-3775 | FAX: 613-835-6450
 WEBSITE: EVBengineering.com

SUB-CONSULTANT:

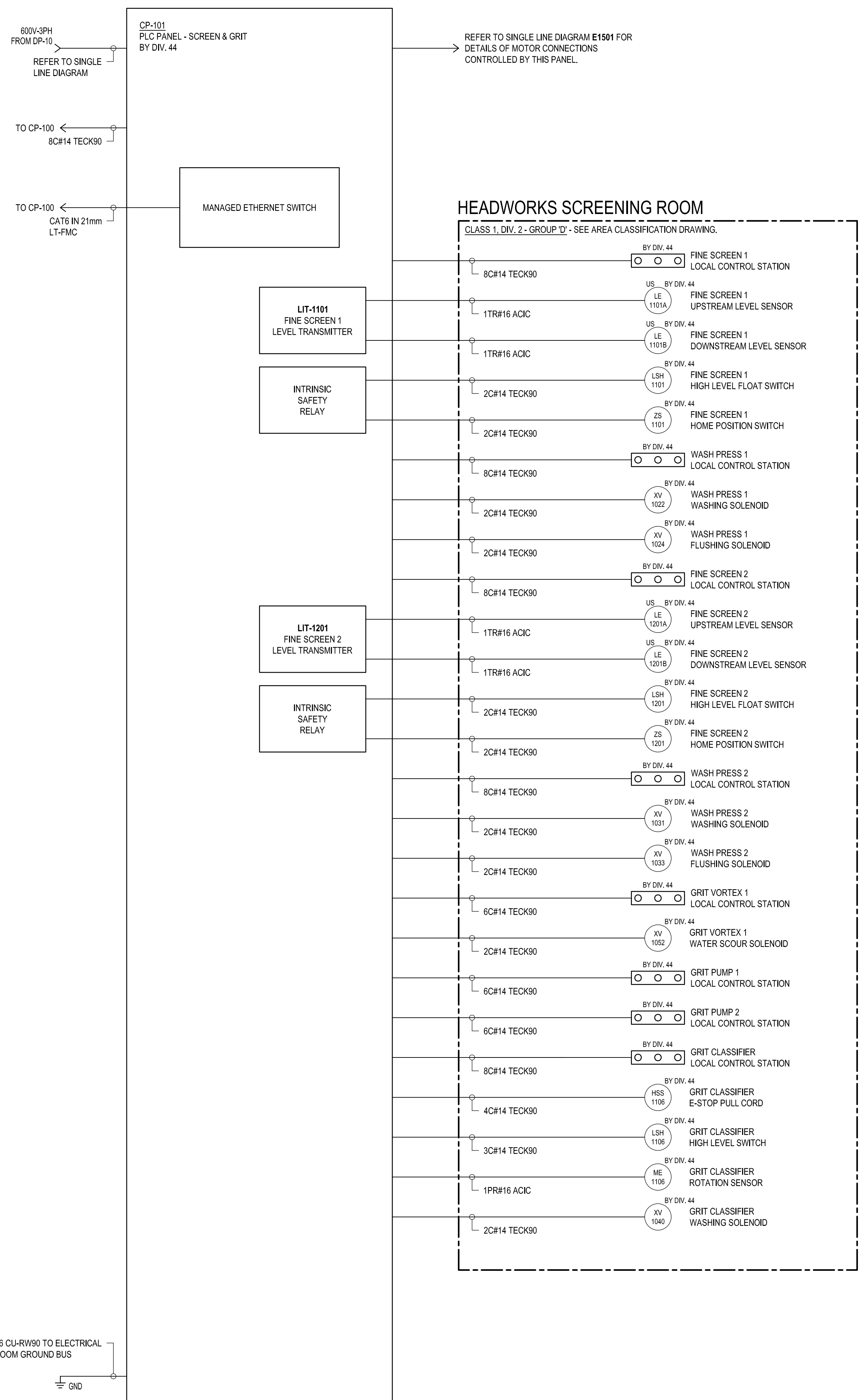

CLIENT:

 GREATER FOR MANY REASONS

PROJECT:
 NEW NAPANEE WPCP

TITLE:
 PANEL SCHEDULES

SCALE:	JOB NO:
DESIGNED BY:	22001
Designer	DATE:
2023/06/13	DRAWN BY:
Author	CHECKED BY:
1511	Checker

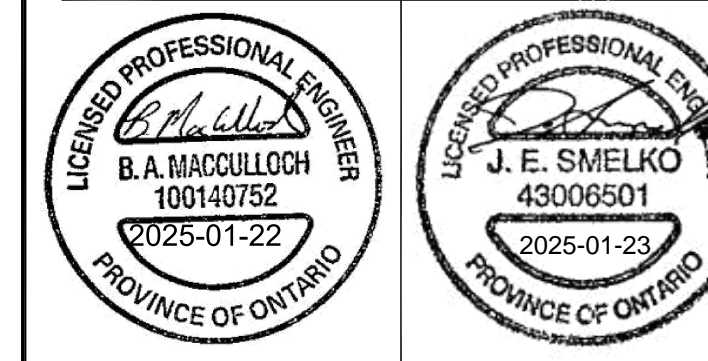


NOTES:

1. MAINTAIN A MINIMUM 1500mm CLEARANCE BETWEEN CP-102 AND SEPTAGE RECEIVING QUICK CONNECT HOSE CONNECTION.

DATE	No.	REVISION
2025/01/23	2	ISSUED FOR TENDER
2024/08/23	1	ISSUED FOR ECA APPROVAL

THE DRAWINGS, ARRANGEMENTS, ANNOTATIONS AND GRAPHICAL PRESENTATIONS ON THIS DOCUMENT ARE THE PROPERTY OF EVB ENGINEERING WHO RETAINS OWNERSHIP AND AUTHORITY OF THIS DOCUMENT IN ITS ENTIRETY. THIS DOCUMENT IS AN INSTRUMENT OF SERVICE AND IS THE INTELLECTUAL AND PHYSICAL PROPERTY OF EVB ENGINEERING. AUTHORIZED USE OF THIS DRAWING IS GRANTED SOLELY FOR THE PURPOSE OF THIS SPECIFIC PROJECT AND LOCATION, AND NOT FOR CONSTRUCTION OR USE FOR ANY OTHER PROJECT.
COPYRIGHT © 2024 EVB ENGINEERING.



CONSULTANT:

 800 SECOND STREET WEST
 CORNWALL, ONTARIO CANADA, K6J 1H6
 TEL: 613-935-3775 | FAX: 613-935-6450
 WEBSITE: evbengineering.com

SUB-CONSULTANT:

CLIENT:

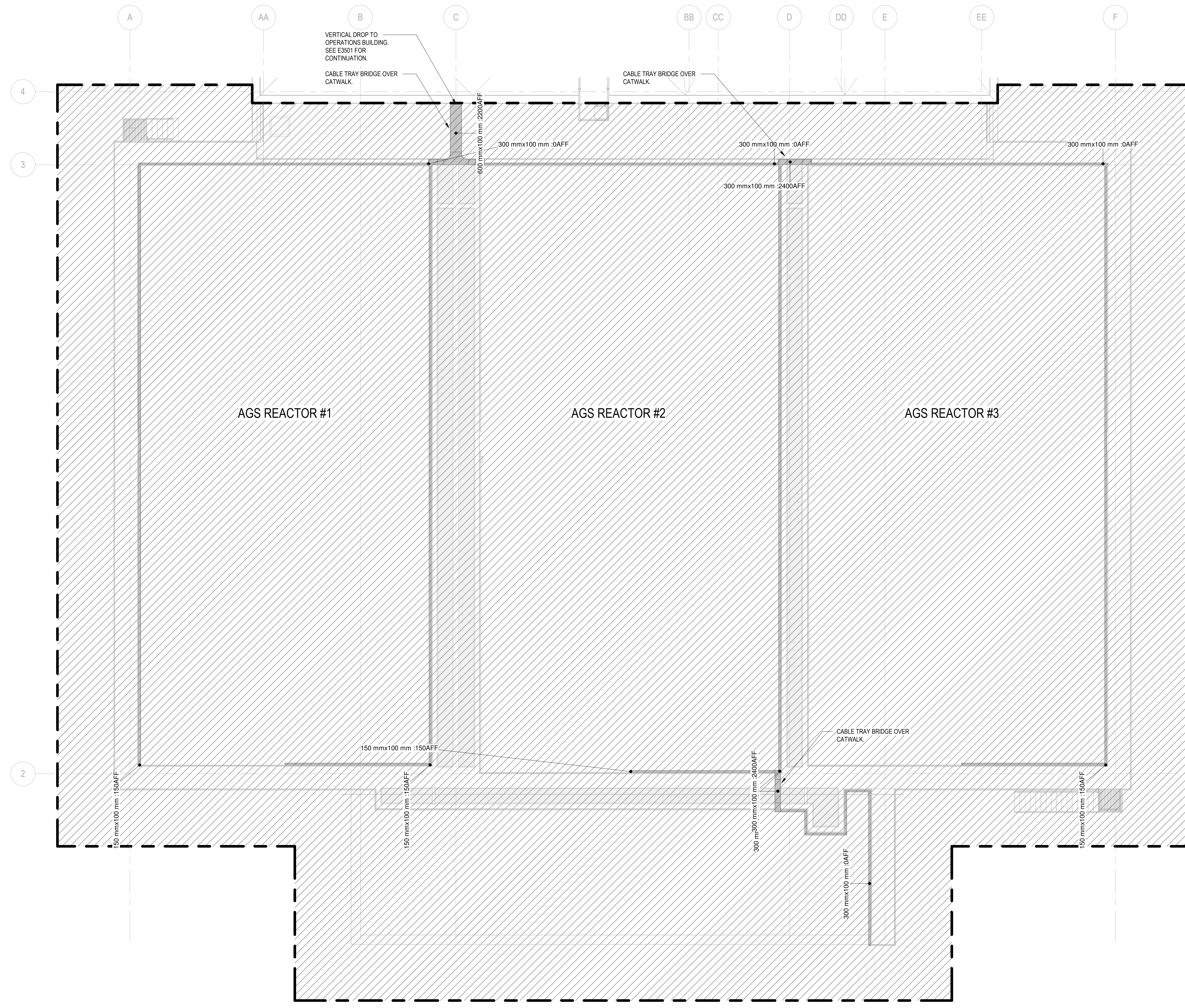
 Greater Napanee
 GREATER FOR MANY REASONS

PROJECT:
NEW NAPANEE WPCP

TITLE:
**CP-101 & CP-102
 WIRING DIAGRAM**

SCALE: N.T.S.	JOB NO: 22001
DESIGNED BY: B.M.	DATE: 2025/01/23
DRAWN BY: B.M.	DRAWING NO.
CHECKED BY: J.S.	E1552

2025-01-22 4:41:03 PM Autodesk Docs://22001 - Napanee New WPCP/22001-WPCP-Elec-2000.rvt



LEGEND:

- CLASS 1, DIV. 1, GROUP 'D'
- CLASS 1, DIV. 2, GROUP 'D'
- NON-Classified WITH CONTINUOUS MECHANICAL VENTILATION.

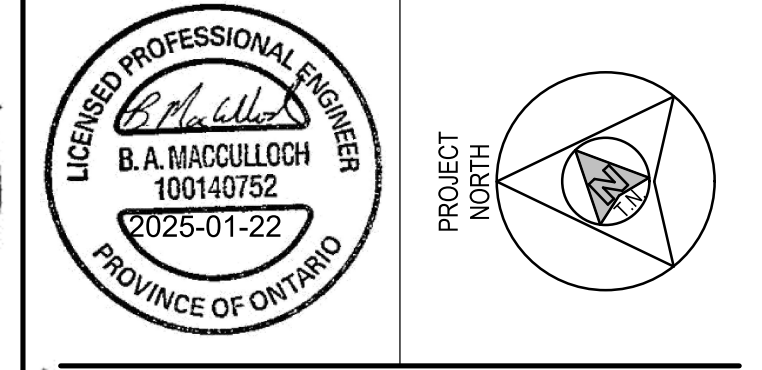
- NOTES:**
- TRAY ELEVATIONS NOTED ABOVE FINISHED FLOOR (AFF) ARE FROM THE TOP OF THE TANK WALLS TO THE UNDERSIDE OF CABLE TRAY.
 - ALL TRAY AND CABLE/CONDUIT THROUGH WALLS/FLOORS ARE TO BE COORDINATED WITH ARCHITECTURAL, MECHANICAL AND PROCESS TRADES.
 - REFER TO CABLE TRAY SPECIFICATION AND TYPICAL DETAILS FOR FURTHER DETAILS.
 - MOUNT ALL ELECTRICAL EQUIPMENT AND DEVICES OUTSIDE OF CLASSIFIED AREA. MINIMUM 450mm (18") FROM TOP OF TANK WALLS. WIRING AND CABLE TRAY MAY RUN THROUGH CLASSIFIED AREA.
 - CABLE TRAY TO BE MOUNTED TO GUARDRAIL IN VERTICAL POSITION UNLESS OTHERWISE NOTED. COORDINATE ALL SUPPORTS WITH GUARDRAIL SUPPLIER AS NECESSARY. PROVIDE STRUCTURAL SUPPORTS FOR CABLE TRAY BRIDGES OVER CATWALK.

- WIRING METHODS:**
- REFER TO ELECTRICAL SPECIFICATIONS AND SINGLE LINE DIAGRAMS FOR SPECIFIC CABLE, CONDUIT AND WIRING TYPES.
 - HAZARDOUS LOCATIONS:**
ARMoured POWER (TECK90) AND INSTRUMENTATION (ACIC) CABLE INSTALLED IN CABLE TRAY OR GALVANIZED RIGID STEEL CONDUIT ON UNISTRUT SUPPORTS C/W FITTINGS RATED FOR AREA.
WHERE CONDUIT IS USED, PROVIDE HEAVY-DUTY LIQUID TIGHT FLEXIBLE METALIC CONDUIT LEADS FOR FINAL CONNECTIONS TO ALL VIBRATING EQUIPMENT.

AGS TANKS
CLASS 1 - DIV 2: INTERIOR OF TANK FROM THE MINIMUM OPERATING WATER SURFACE TO THE TOP OF THE TANK WALL; ENVELOPE 0.46m (18 in.) ABOVE THE TOP OF THE TANK AND EXTENDING 0.46m (18 in.) BEYOND EXTERIOR WALL; ENVELOPE 0.46m (18 in.) ABOVE GRADE AND EXTENDING 3m (10 ft) HORIZONTALLY FROM THE EXTERIOR TANK WALLS.

DATE	NO.	REVISION
2025/01/23	2	ISSUED FOR TENDER
2024/08/23	1	ISSUED FOR ECA APPROVAL

THE DRAWINGS, ARRANGEMENTS, ANNOTATIONS AND GRAPHICAL PRESENTATIONS ON THIS DOCUMENT ARE THE PROPERTY OF EVB ENGINEERING WHO RETAINS OWNERSHIP AND AUTHORITY OF THIS DOCUMENT IN ITS ENTIRETY. THIS DOCUMENT IS AN INSTRUMENT OF SERVICE AND IS THE INTELLECTUAL AND PHYSICAL PROPERTY OF EVB ENGINEERING. AUTHORIZED USE OF THIS DRAWING IS GRANTED SOLELY FOR THE PURPOSE OF THIS SPECIFIC PROJECT AND LOCATION, AND NOT FOR CONSTRUCTION OR USE FOR ANY OTHER PROJECT.
COPYRIGHT © 2024 EVB ENGINEERING.



CONSULTANT:

800 SECOND STREET WEST
CORNWALL, ONTARIO CANADA, K6J 1H6
TEL: 613-935-3775 | FAX: 613-935-6450
WEBSITE: EVBEngineering.com

SUB-CONSULTANT:

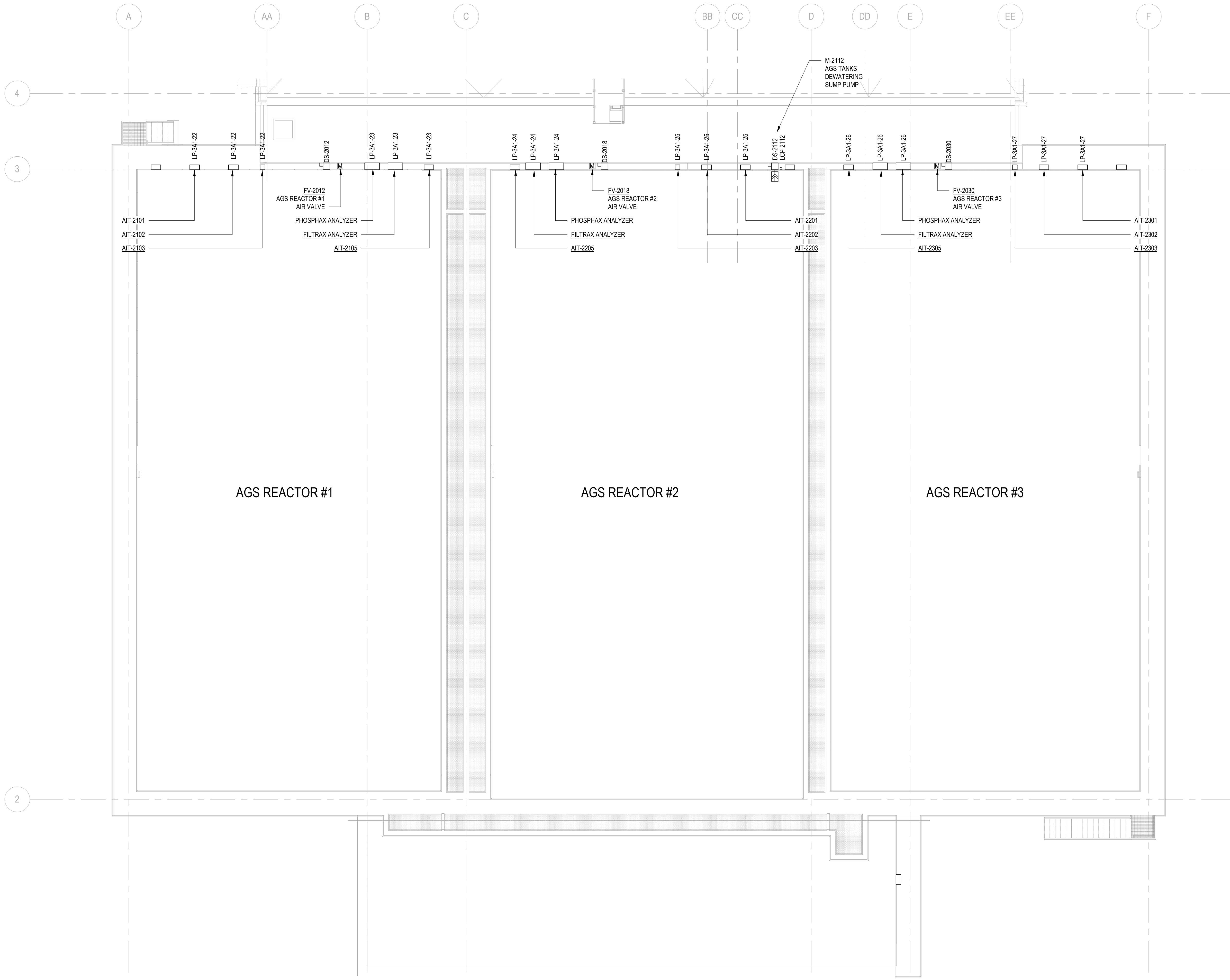
CLIENT:

GREATER FOR MANY REASONS

PROJECT:
NEW NAPANEE WPCP

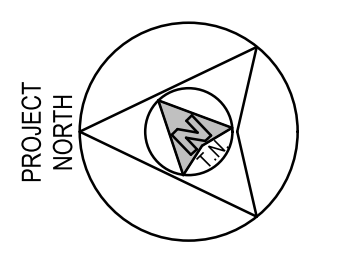
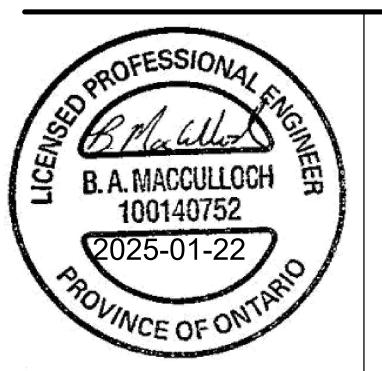
TITLE:
AGS TANKS - AREA CLASSIFICATION & CABLE TRAY LAYOUT

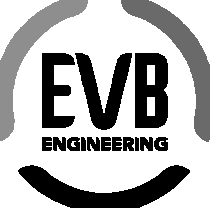
SCALE: As Indicated	JOB NO: 22001
DESIGNED BY: DATE:	DATE: 2023/06/13
B.A.M. DRAWN BY:	DRAWING NO.
B.A.M. CHECKED BY:	E2101
J.E.S.	



DATE	NO.	REVISION
2025/01/23	2	ISSUED FOR TENDER
2024/08/23	1	ISSUED FOR ECA APPROVAL

THE DRAWINGS, ARRANGEMENTS, ANNOTATIONS AND GRAPHICAL PRESENTATIONS ON THIS DOCUMENT ARE THE PROPERTY OF EVB ENGINEERING WHO RETAINS OWNERSHIP AND AUTHORSHIP OF THIS DOCUMENT IN ITS ENTIRETY. THIS DOCUMENT IS AN INSTRUMENT OF SERVICE AND IS THE INTELLECTUAL AND PHYSICAL PROPERTY OF EVB ENGINEERING. AUTHORIZED USE OF THIS DRAWING IS GRANTED SOLELY FOR THE PURPOSE OF THIS SPECIFIC PROJECT AND LOCATION, AND NOT FOR CONSTRUCTION OR USE FOR ANY OTHER PROJECT. COPYRIGHT © 2024 EVB ENGINEERING.



CONSULTANT:
 800 SECOND STREET WEST
 CORNWALL, ONTARIO CANADA, K6J 1H6
 TEL: 613-835-3775 | FAX: 613-835-6450
 WEBSITE: EVBengineering.com

SUB-CONSULTANT:

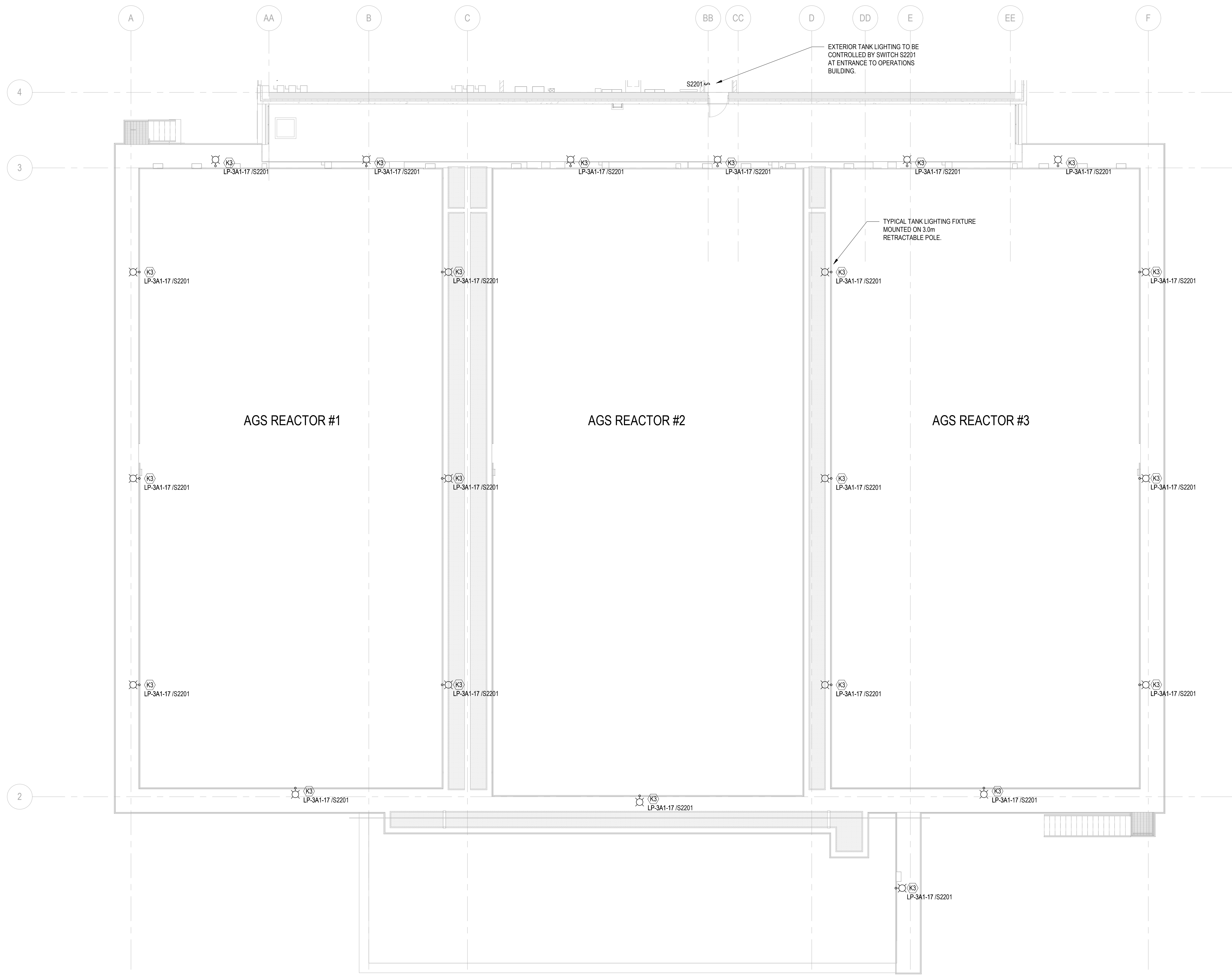

CLIENT:

 GREATER FOR BAY OF QUINCY

PROJECT:
NEW NAPANEE WPCP

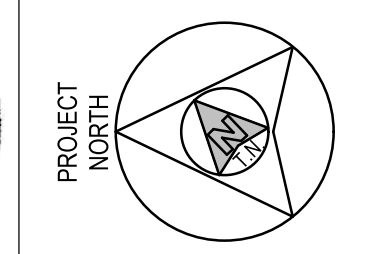
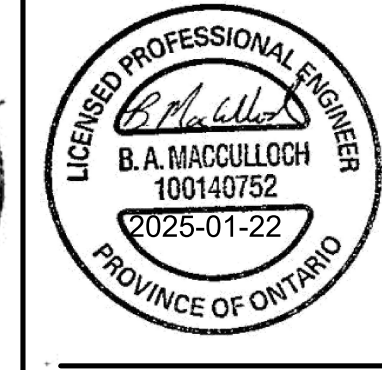
TITLE:
AGS TANKS - POWER LAYOUT

SCALE: 1:100	JOB NO: 22001
DESIGNED BY: B.A.M.	DATE: 2023/06/13
DRAWN BY: B.A.M.	DRAWING NO. E2111
CHECKED BY: J.E.S.	



DATE	NO.	REVISION
2025/01/23	2	ISSUED FOR TENDER
2024/08/23	1	ISSUED FOR ECA APPROVAL

THE DRAWINGS, ARRANGEMENTS, ANNOTATIONS AND GRAPHICAL PRESENTATIONS ON THIS DOCUMENT ARE THE PROPERTY OF EVB ENGINEERING WHO RETAINS OWNERSHIP AND AUTHORITY OF THIS DOCUMENT IN ITS ENTIRETY. THIS DOCUMENT IS AN INSTRUMENT OF SERVICE AND IS THE INTELLECTUAL AND PHYSICAL PROPERTY OF EVB ENGINEERING. AUTHORIZED USE OF THIS DRAWING IS GRANTED SOLELY FOR THE PURPOSE OF THIS SPECIFIC PROJECT AND LOCATION, AND NOT FOR CONSTRUCTION OR USE FOR ANY OTHER PROJECT. COPYRIGHT © 2024 EVB ENGINEERING.



CONSULTANT:
 800 SECOND STREET WEST
 CORNWALL, ONTARIO CANADA, K6J 1H6
 TEL: 613-835-3775 | FAX: 613-835-6450
 WEBSITE: EVBEngineering.com

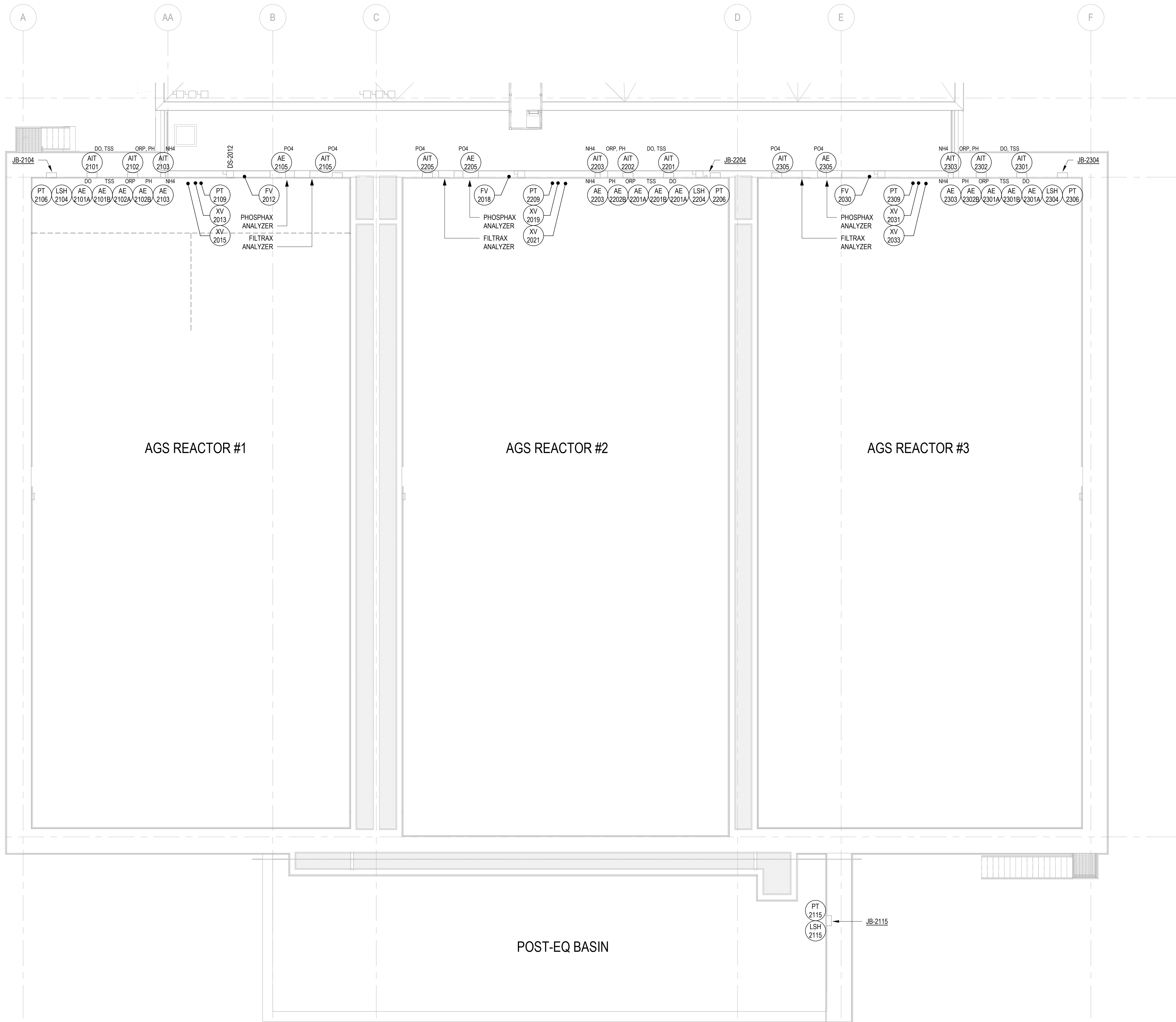
SUB-CONSULTANT:


CLIENT:
 Greater Napanee
 GREATER FOR BERRY REGION

PROJECT:
NEW NAPANEE WPCP

TITLE:
AGS TANKS LIGHTING LAYOUT

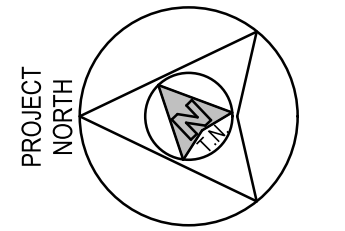
SCALE: 1:100	JOB NO: 22001
DESIGNED BY: B.A.M.	DATE: 2023/06/13
DRAWN BY: B.A.M.	DRAWING NO. E2121
CHECKED BY: J.E.S.	

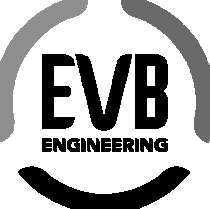


NOTES:
 1. ELECTRICAL ENCLOSURES FOR THE FILTRAX ANALYZERS, PHOSPHAX ANALYZERS, AND VARIOUS AITs ARE NOT TO BE SUPPORTED FROM GUARDRAIL SYSTEM. PROVIDE FREE STANDING SUPPORTS ANCHORED TO TOP OF TANK WALLS. REFER TO TYPICAL DETAILS.

DATE	NO.	REVISION
2025/01/23	2	ISSUED FOR TENDER
2024/08/23	1	ISSUED FOR ECA APPROVAL

THE DRAWINGS, ARRANGEMENTS, ANNOTATIONS AND GRAPHICAL PRESENTATIONS ON THIS DOCUMENT ARE THE PROPERTY OF EVB ENGINEERING WHO RETAINS OWNERSHIP AND AUTHORITY OF THIS DOCUMENT IN ITS ENTIRETY. THIS DOCUMENT IS AN INSTRUMENT OF SERVICE AND IS THE INTELLECTUAL AND PHYSICAL PROPERTY OF EVB ENGINEERING. AUTHORIZED USE OF THIS DRAWING IS GRANTED SOLELY FOR THE PURPOSE OF THIS SPECIFIC PROJECT AND LOCATION, AND NOT FOR CONSTRUCTION OR USE FOR ANY OTHER PROJECT. COPYRIGHT © 2024 EVB ENGINEERING.



CONSULTANT:
 800 SECOND STREET WEST
 CORNWALL, ONTARIO CANADA, K6J 1H6
 TEL: 613-835-3775 | FAX: 613-835-6450
 WEBSITE: EVBengineering.com

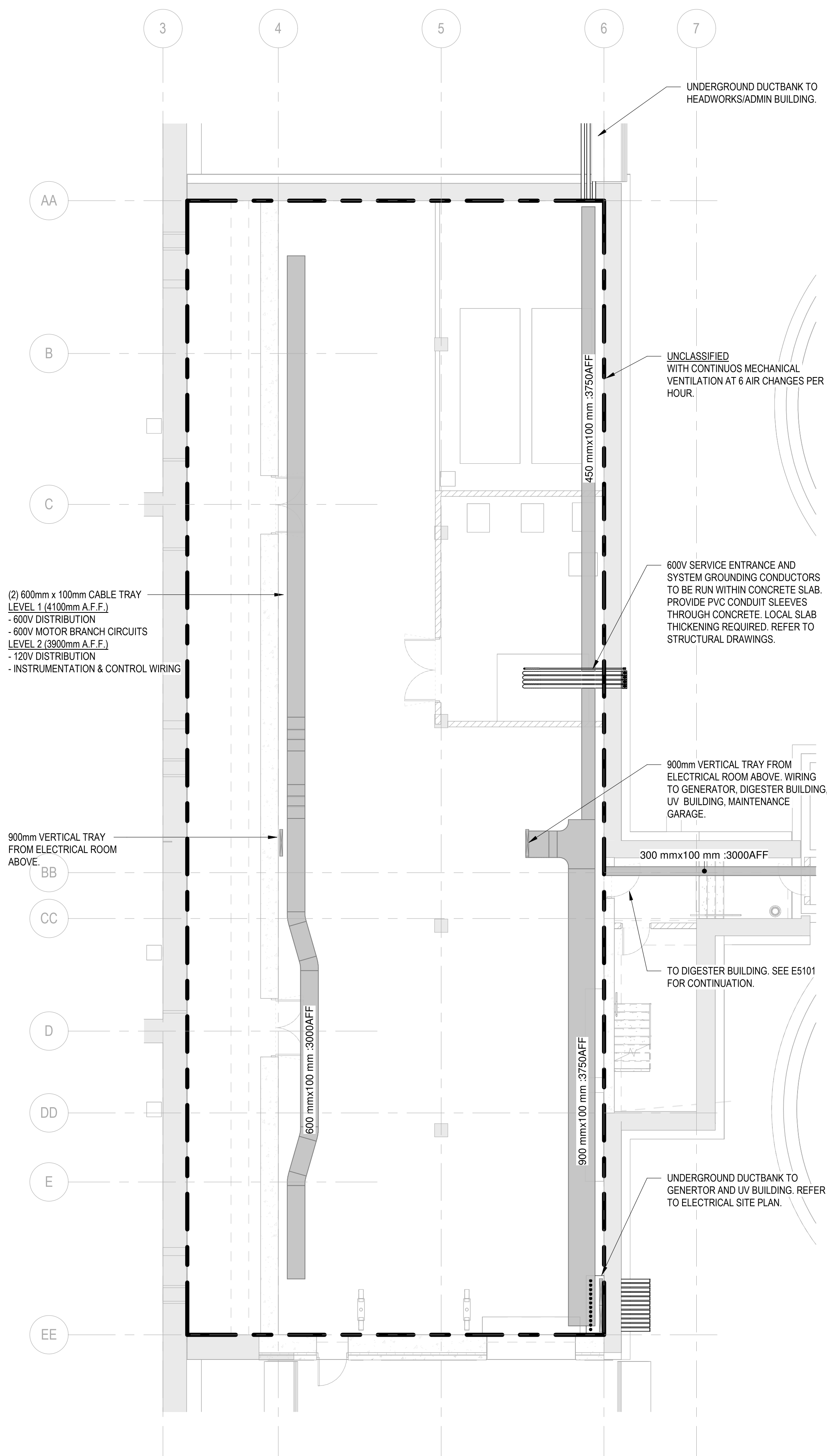
SUB-CONSULTANT:


CLIENT:
 Greater Napanee
 GREATER FOR BERRY REGION

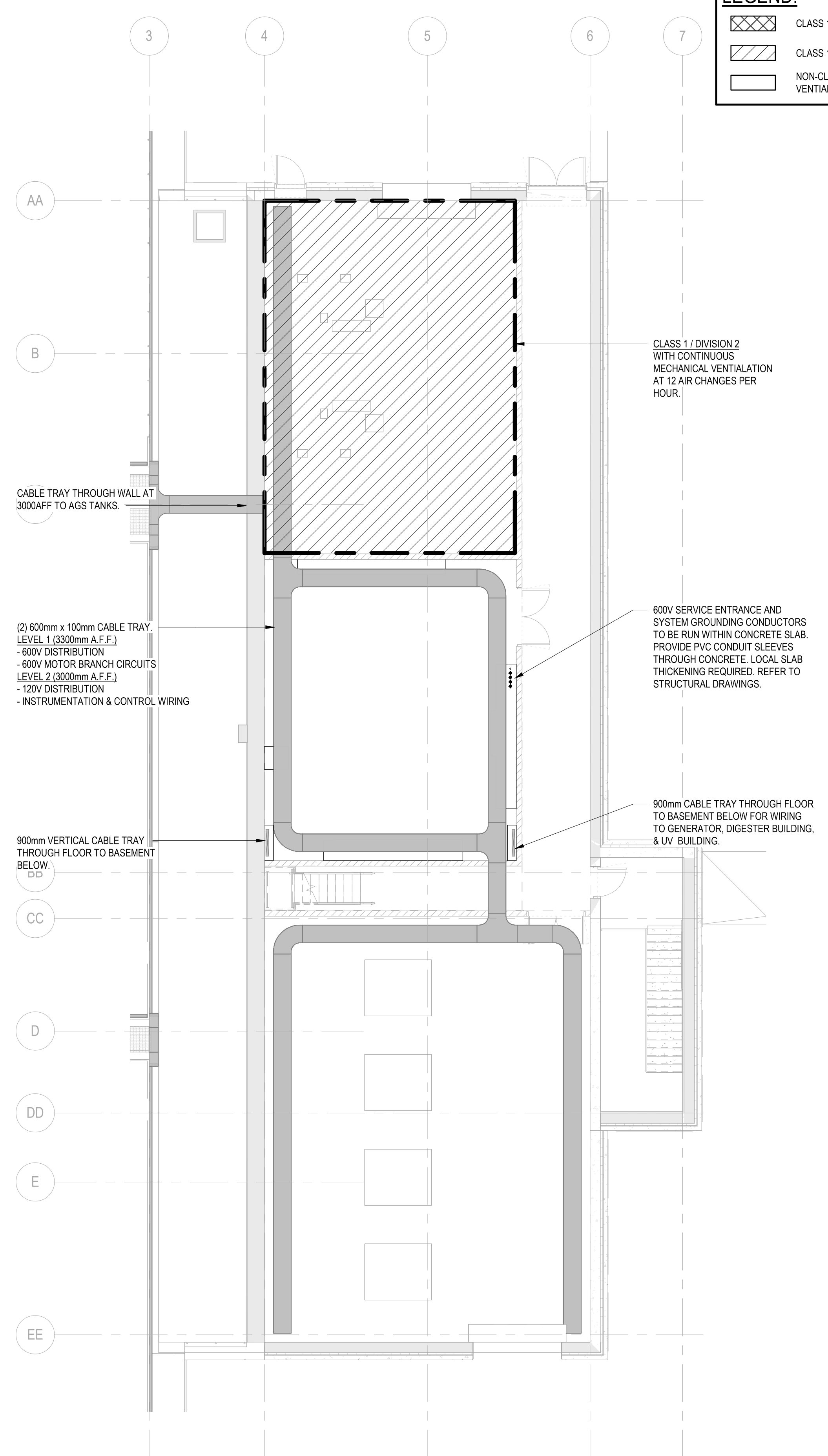
PROJECT:
 NEW NAPANEE WPCP

TITLE:
 AGS TANKS -
 INSTRUMENTATION LAYOUT

SCALE: 1:100	JOB NO: 22001
DESIGNED BY: B.A.M.	DATE: 2023/06/13
DRAWN BY: B.A.M.	DRAWING NO. E2151
CHECKED BY: J.E.S.	



1 FIRST FLOOR PLAN
E3101 1:100



2 SECOND FLOOR PLAN
E3101 1:100

LEGEND:

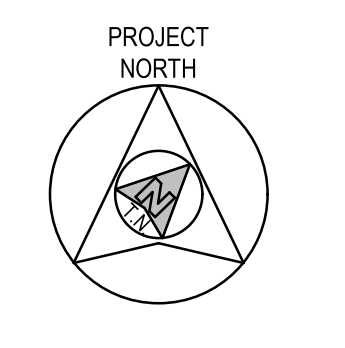
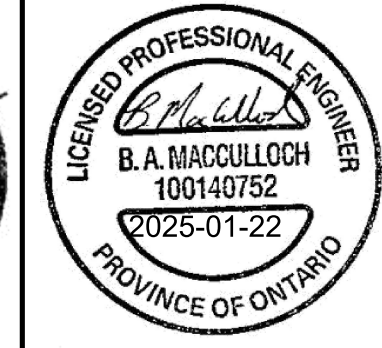
	CLASS 1, DIV. 1, GROUP 'D'
	CLASS 1, DIV. 2, GROUP 'D'
	NON-CCLASSIFIED WITH CONTINUOUS MECHANICAL VENTILATION.

- GENERAL NOTES:**
- TRAY ELEVATIONS NOTED ABOVE FINISHED FLOOR (AFF) ARE TO THE UNDERSIDE OF CABLE TRAY. ELEVATIONS NOTED FROM BELOW CEILING (BC) ARE TO THE TOP OF CABLE TRAY.
 - ALL TRAY AND CABLE/CONDUIT THROUGH WALLS/FLOORS ARE TO BE COORDINATED WITH ARCHITECTURAL, MECHANICAL AND PROCESS TRADES.
 - REFER TO CABLE TRAY SPECIFICATION AND TYPICAL DETAILS FOR FURTHER DETAILS.

- WIRING METHODS:**
- REFER TO ELECTRICAL SPECIFICATIONS AND SINGLE LINE DIAGRAMS FOR SPECIFIC CABLE, CONDUIT AND WIRING TYPES.
 - HAZARDOUS LOCATIONS:**
ARMoured POWER (TECK90) AND INSTRUMENTATION (ACI) CABLE INSTALLED IN CABLE TRAY OR GALVANIZED RIGID STEEL CONDUIT ON UNISTRUT SUPPORTS C/W FITTINGS RATED FOR AREA.
WHERE CONDUIT IS USED, PROVIDE HEAVY-DUTY LIQUID TIGHT FLEXIBLE METALLIC CONDUIT LEADS FOR FINAL CONNECTIONS TO ALL VIBRATING EQUIPMENT.

DATE	NO.	REVISION
2025/01/23	2	ISSUED FOR TENDER
2024/08/23	1	ISSUED FOR ECA APPROVAL

THE DRAWINGS, ARRANGEMENTS, ANNOTATIONS AND GRAPHICAL PRESENTATIONS ON THIS DOCUMENT ARE THE PROPERTY OF EVB ENGINEERING WHO RETAINS OWNERSHIP AND AUTHORITY OF THIS DOCUMENT IN ITS ENTIRETY. THIS DOCUMENT IS AN INSTRUMENT OF SERVICE AND IS THE INTELLECTUAL AND PHYSICAL PROPERTY OF EVB ENGINEERING. AUTHORIZED USE OF THIS DRAWING IS GRANTED SOLELY FOR THE PURPOSE OF THIS SPECIFIC PROJECT AND LOCATION, AND NOT FOR CONSTRUCTION OR USE FOR ANY OTHER PROJECT. COPYRIGHT © 2024 EVB ENGINEERING.



CONSULTANT:
 800 SECOND STREET WEST
 CORNWALL, ONTARIO CANADA, K6J 1H6
 TEL: 613-935-3775 | FAX: 613-935-6450
 WEBSITE: EVBengineering.com

SUB-CONSULTANT:

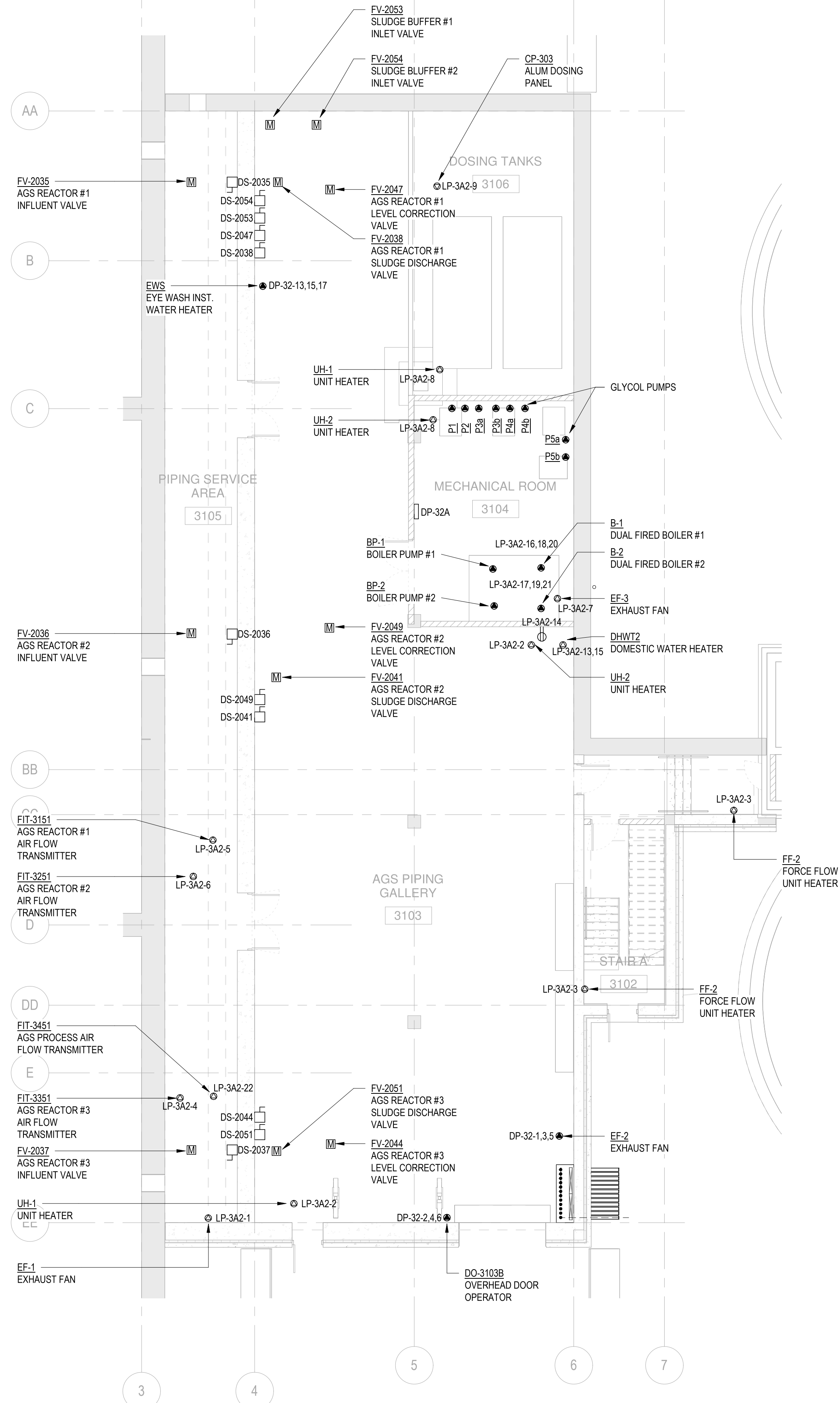
CLIENT:

 GREATER FOR MANY REASONS

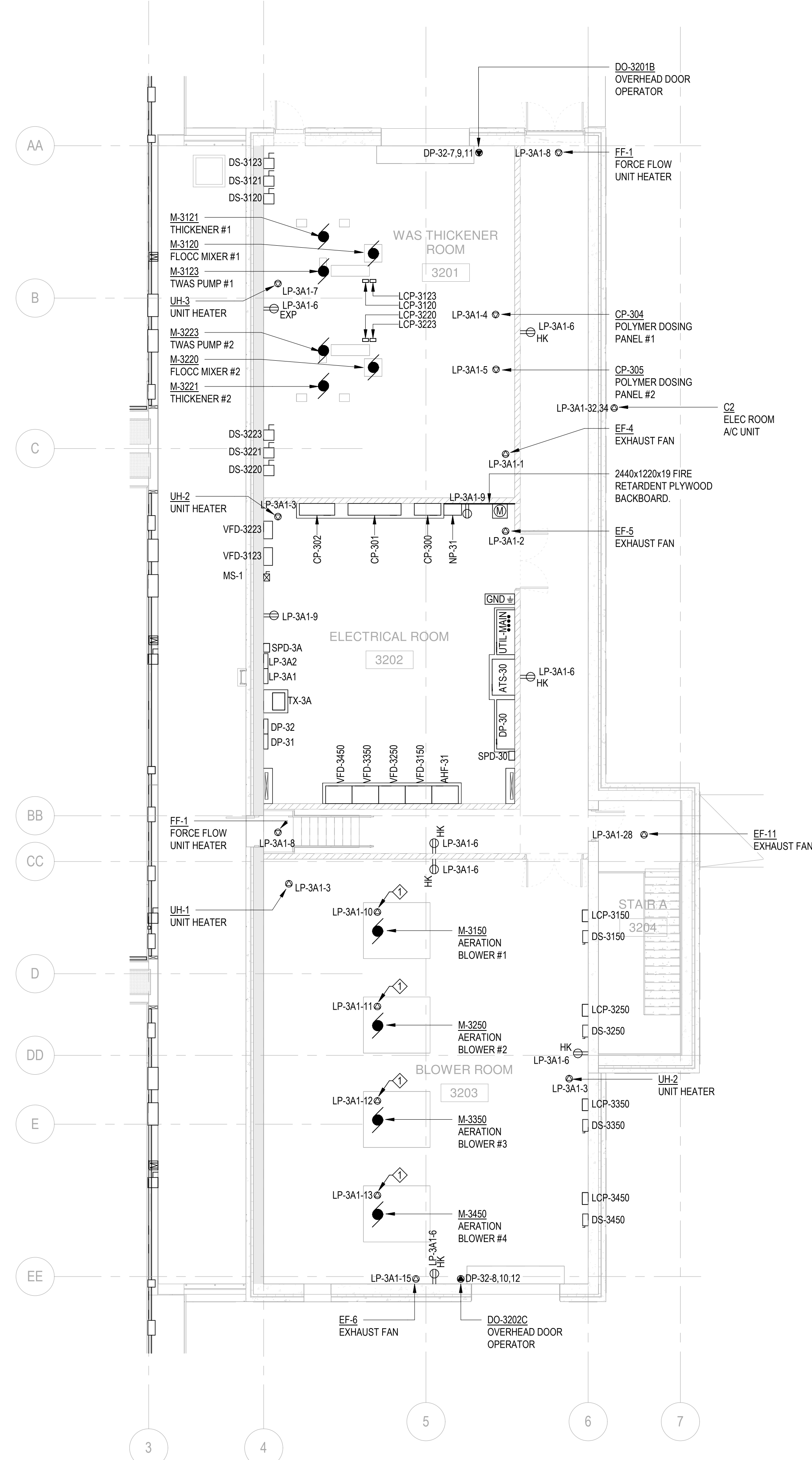
PROJECT:
NEW NAPANEE WPCP

TITLE:
OPERATIONS BUILDING - AREA CLASSIFICATION & CABLE TRAY LAYOUT

SCALE: As Indicated	JOB NO: 22001
DESIGNED BY:	DATE:
B.A.M.	2023/06/13
DRAWN BY:	DRAWING NO.
B.A.M.	E3101
CHECKED BY: J.E.S.	



1 FIRST FLOOR PLAN
E3111 1:100



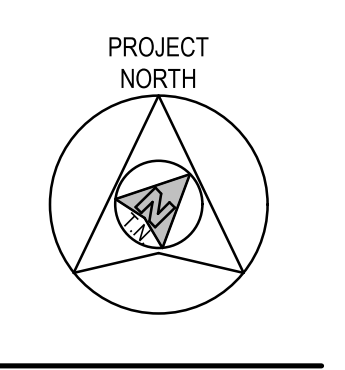
2 SECOND FLOOR PLAN
E3111 1:100

NOTES:

1. PROVIDE 120V-15A CIRCUIT TO EACH BLOWER TO AUXILIARY BLOWER ENCLOSURE EXHAUST FAN.

DATE	NO.	REVISION
2025/01/23	2	ISSUED FOR TENDER
2024/08/23	1	ISSUED FOR ECA APPROVAL

THE DRAWINGS, ARRANGEMENTS, ANNOTATIONS AND GRAPHICAL PRESENTATIONS ON THIS DOCUMENT ARE THE PROPERTY OF EVB ENGINEERING WHO RETAINS OWNERSHIP AND AUTHORITY OF THIS DOCUMENT IN ITS ENTIRETY. THIS DOCUMENT IS AN INSTRUMENT OF SERVICE AND IS THE INTELLECTUAL AND PHYSICAL PROPERTY OF EVB ENGINEERING. AUTHORIZED USE OF THIS DRAWING IS GRANTED SOLELY FOR THE PURPOSE OF THIS SPECIFIC PROJECT AND LOCATION, AND NOT FOR CONSTRUCTION OR USE FOR ANY OTHER PROJECT. COPYRIGHT © 2024 EVB ENGINEERING.



CONSULTANT:
 800 SECOND STREET WEST
 CORNWALL, ONTARIO CANADA, K6J 1H6
 TEL: 613-935-3775 | FAX: 613-935-6450
 WEBSITE: EVBengineering.com

SUB-CONSULTANT:

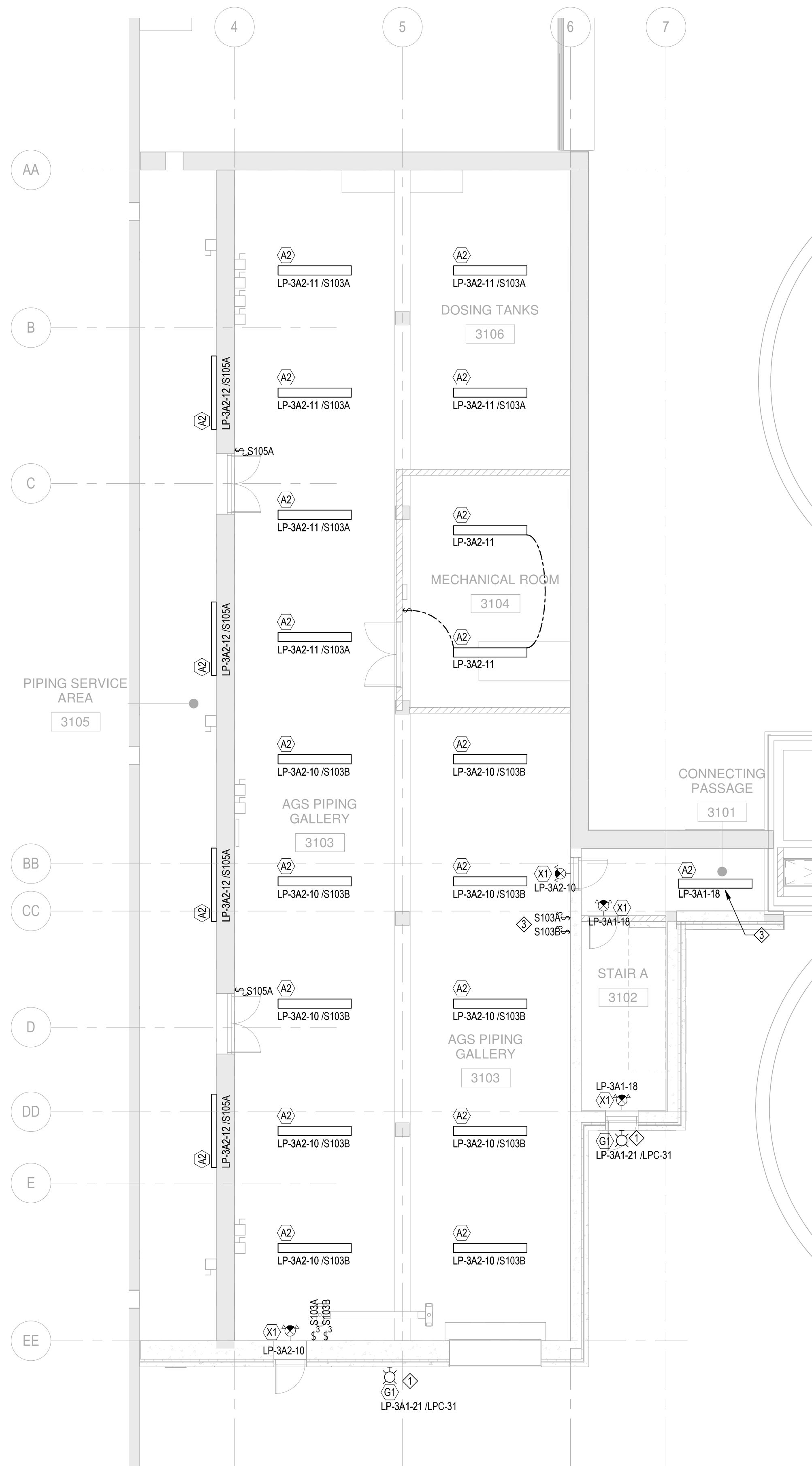
CLIENT:
 Greater Napanee
 Greater for Many Reasons

PROJECT:
NEW NAPANEE WPCP

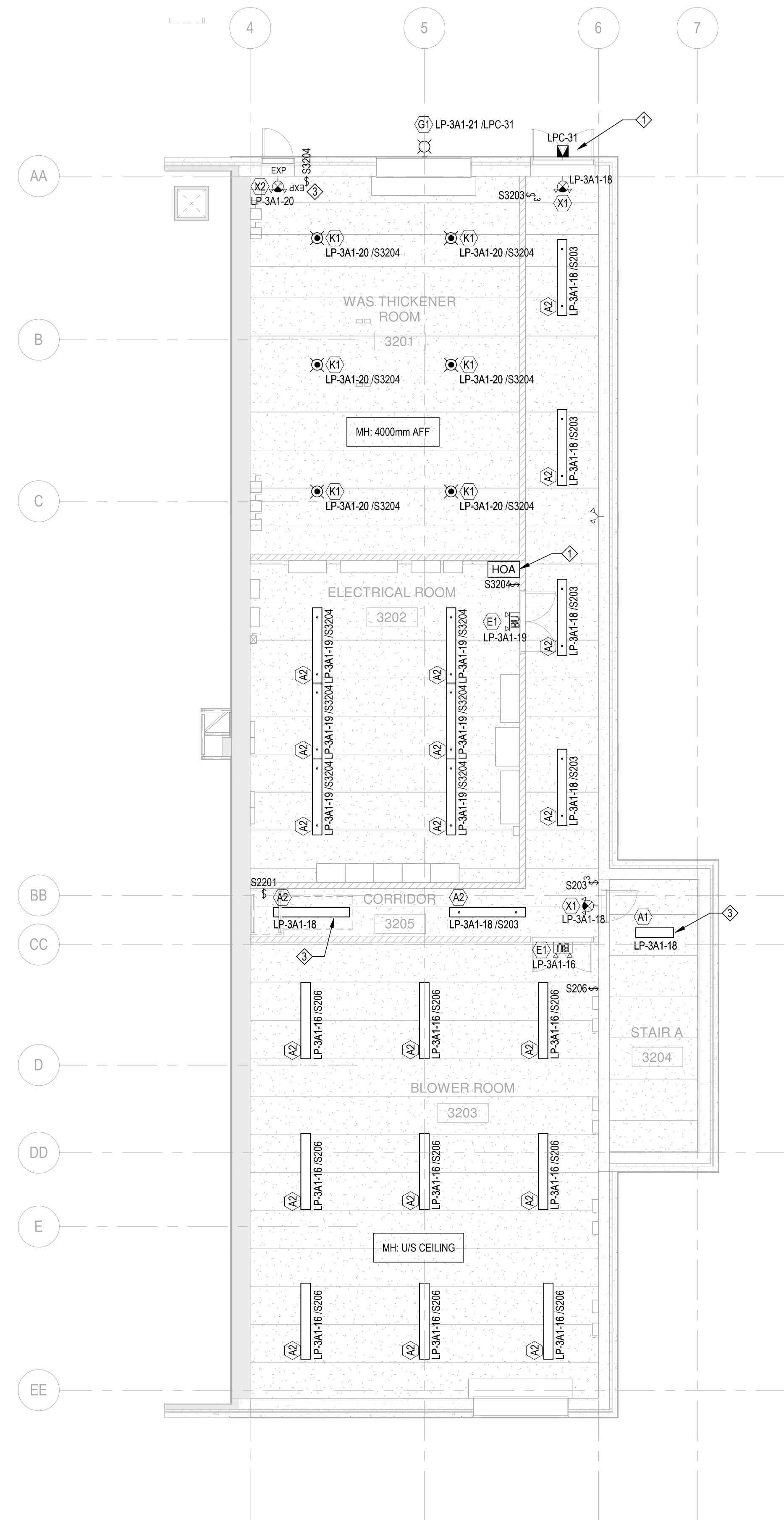
TITLE:
**OPERATIONS BUILDING -
 POWER LAYOUT**

SCALE: 1:100	JOB NO: 22001
DESIGNED BY: B.A.M.	DATE: 2023/06/13
DRAWN BY: B.A.M.	DRAWING NO.:
CHECKED BY: J.E.S.	E3111

2025-01-22 4:41:12 PM Autodesk Docs://22001 - Napanee New WPCP/22001-WPCP-Elec-2000.rvt



1
E3121
FIRST FLOOR PLAN
1: 100

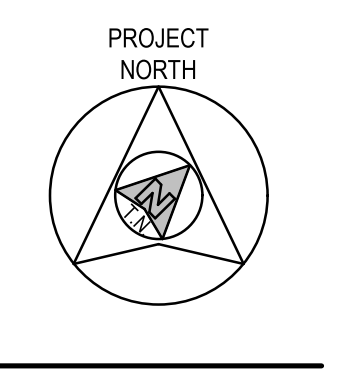


2
E3121
SECOND FLOOR PLAN
1: 100

- NOTES:**
- EXTERIOR LIGHTING FIXTURES TO BE CONTROLLED BY 120V-15A PHOTOCELL LPC-31 MOUNTED ON NORTH SIDE OF BUILDING. PROVIDE HAND/OFF/AUTO (HOA) SELECTOR SWITCH IN ELECTRICAL ROOM (3202) FOR MANUAL OVERRIDE.
 - ALL WIRING AND DEVICES WITHIN CLASSIFIED AREAS TO BE SUITABLE FOR CLASS 1 / DIV 1 - GROUP D ENVIRONMENT. REFER TO DRAWING E3101 FOR EXTENT OF HAZARDOUS AREA CLASSIFICATION.
 - FIXTURE TO BE CONNECTED TO UNSWITCHED SIDE OF LIGHTING CIRCUIT.
 - REFER TO LIGHTING FIXTURE SCHEDULE FOR MOUNTING HEIGHTS, UNLESS OTHERWISE NOTED.

DATE	NO.	REVISION
2025/01/23	2	ISSUED FOR TENDER
2024/08/23	1	ISSUED FOR ECA APPROVAL

THE DRAWINGS, ARRANGEMENTS, ANNOTATIONS AND GRAPHICAL PRESENTATIONS ON THIS DOCUMENT ARE THE PROPERTY OF EVB ENGINEERING WHO RETAINS OWNERSHIP AND AUTHORITY OF THIS DOCUMENT IN ITS ENTIRETY. THIS DOCUMENT IS AN INSTRUMENT OF SERVICE AND IS THE INTELLECTUAL AND PHYSICAL PROPERTY OF EVB ENGINEERING. AUTHORIZED USE OF THIS DRAWING IS GRANTED SOLELY FOR THE PURPOSE OF THIS SPECIFIC PROJECT AND LOCATION, AND NOT FOR CONSTRUCTION OR USE FOR ANY OTHER PROJECT. COPYRIGHT © 2024 EVB ENGINEERING.



CONSULTANT:
 800 SECOND STREET WEST
 CORNWALL, ONTARIO CANADA, K6J 1H6
 TEL: 613-935-3775 | FAX: 613-935-6450
 WEBSITE: EVBEngineering.com

SUB-CONSULTANT:

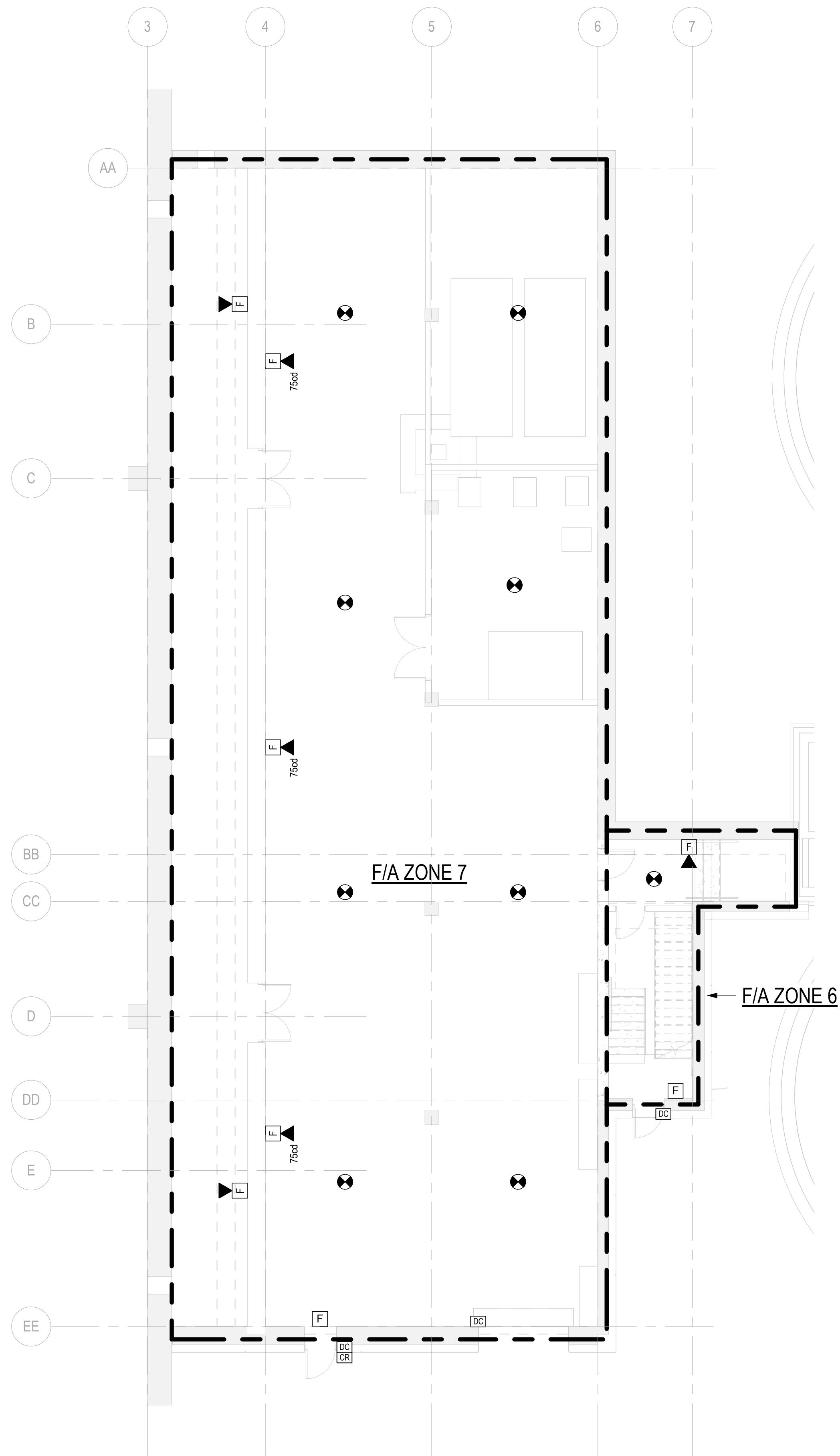

CLIENT:

 Greater Napanee
 Greater for Many Reasons

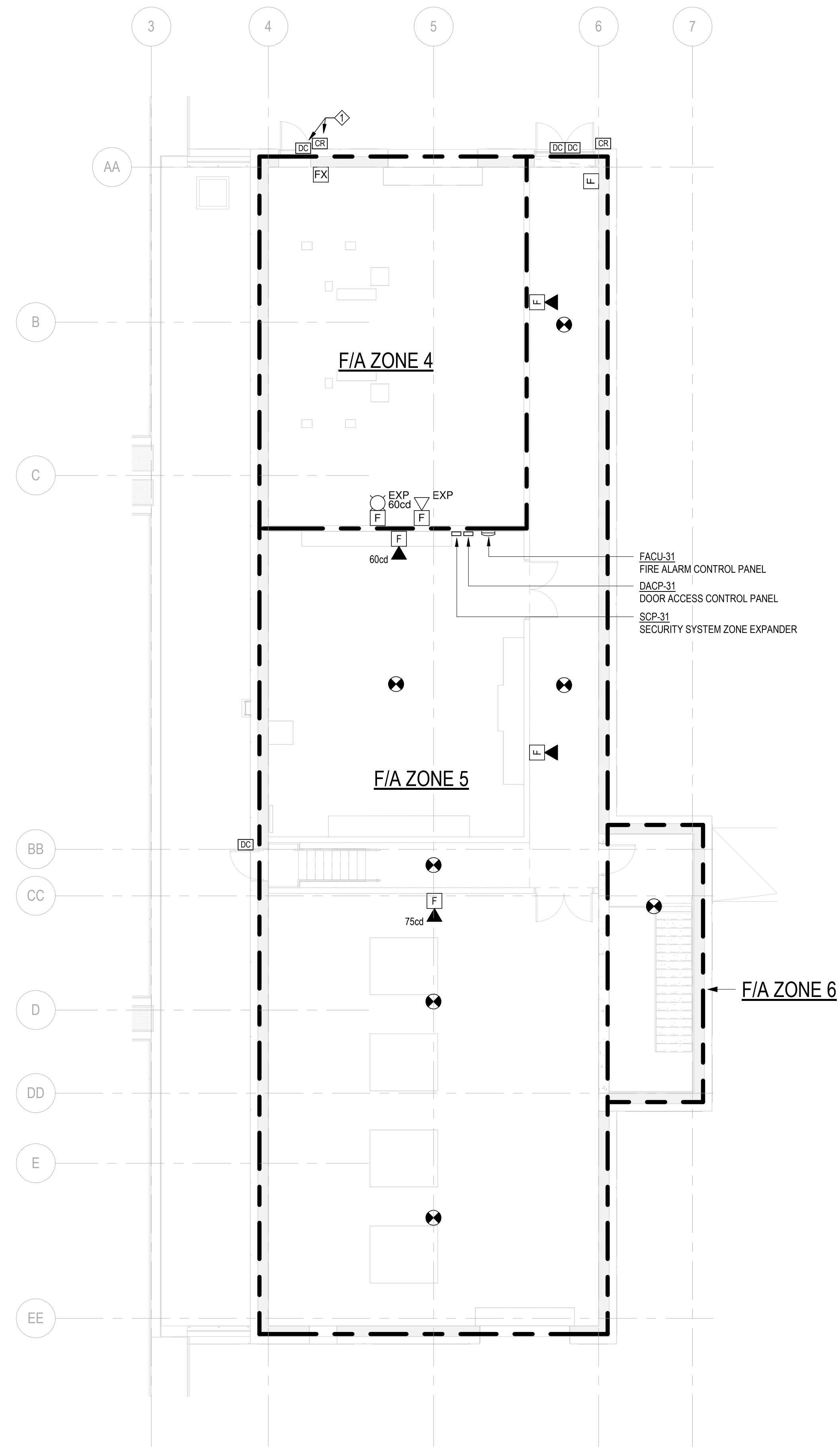
PROJECT:
NEW NAPANEE WPCP

TITLE:
**OPERATIONS BUILDING -
 LIGHTING LAYOUT**

SCALE: 1: 100	JOB NO: 22001
DESIGNED BY: B.A.M.	DATE: 2023/06/13
DRAWN BY: B.A.M.	DRAWING NO. E3121
CHECKED BY: J.E.S.	



1 FIRST FLOOR PLAN
E3131 1:100



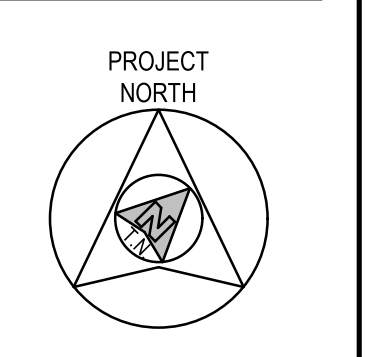
2 SECOND FLOOR PLAN
E3131 1:100

NOTES:

1. PROVIDE INTRINSICALLY SAFE DEVICES IN HAARDOUS LOCATIONS.

DATE	NO.	REVISION
2025/01/23	2	ISSUED FOR TENDER
2024/08/23	1	ISSUED FOR ECA APPROVAL

THE DRAWINGS, ARRANGEMENTS, ANNOTATIONS AND GRAPHICAL PRESENTATIONS ON THIS DOCUMENT ARE THE PROPERTY OF EVB ENGINEERING WHO RETAINS OWNERSHIP AND AUTHORITY OF THIS DOCUMENT IN ITS ENTIRETY. THIS DOCUMENT IS AN INSTRUMENT OF SERVICE AND IS THE INTELLECTUAL AND PHYSICAL PROPERTY OF EVB ENGINEERING. AUTHORIZED USE OF THIS DRAWING IS GRANTED SOLELY FOR THE PURPOSE OF THIS SPECIFIC PROJECT AND LOCATION, AND NOT FOR CONSTRUCTION OR USE FOR ANY OTHER PROJECT. COPYRIGHT © 2024 EVB ENGINEERING.



CONSULTANT:
 800 SECOND STREET WEST
 CORNWALL, ONTARIO CANADA, K6J 1H6
 TEL: 613-935-3775 | FAX: 613-935-6450
 WEBSITE: EVBengineering.com

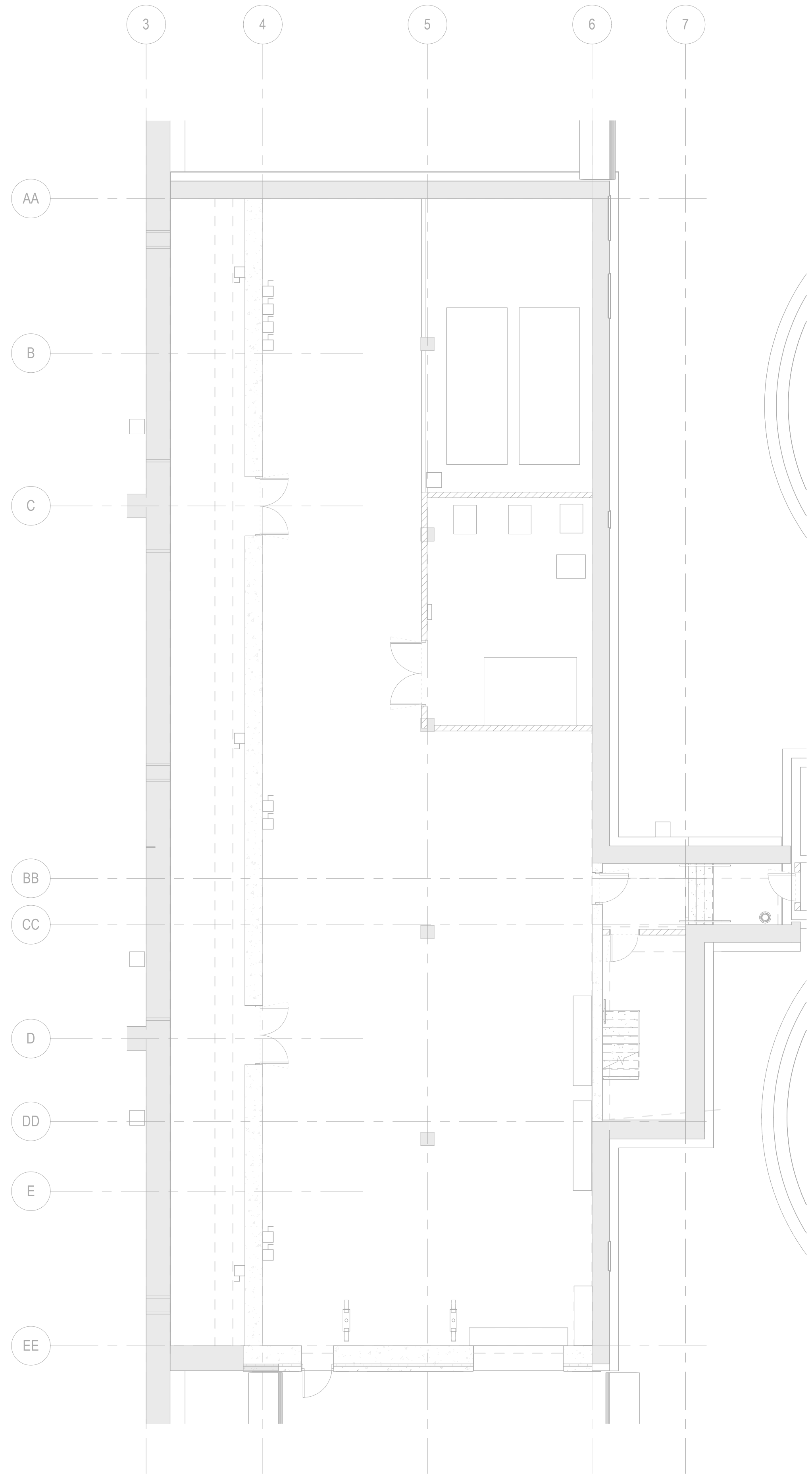
SUB-CONSULTANT:

CLIENT:
 Greater Napanee
 GREATER FOR MANY REASONS

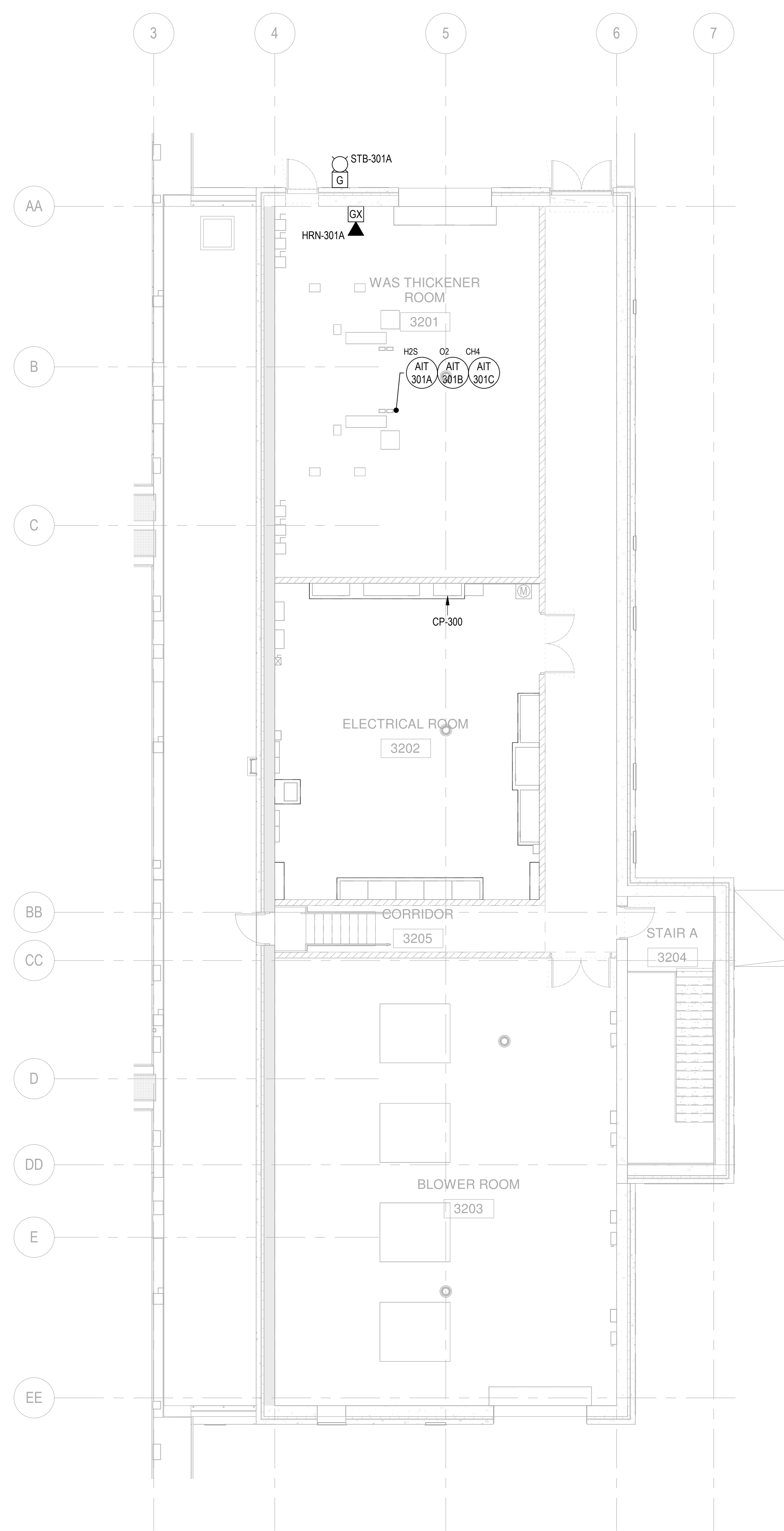
PROJECT:
 NEW NAPANEE WPCP

TITLE:
 OPERATIONS BUILDING - FIRE & SECURITY LAYOUT

SCALE: 1:100	JOB NO: 22001
DESIGNED BY: B.A.M.	DATE: 2023/06/13
DRAWN BY: B.A.M.	DRAWING NO. E3131
CHECKED BY: J.E.S.	



1 FIRST FLOOR PLAN
E3141 1:100



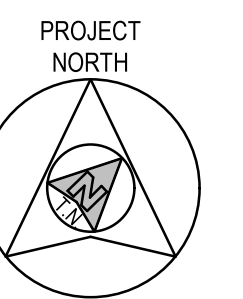
2 SECOND FLOOR PLAN
E3141 1:100


NOTES:

1. IDENTIFY ALL GAS SENSORS AND HORNSTROBES WITH LAMICOID NAMEPLATES.
2. INSTALLATION, TERMINATION AND CONFIGURATION OF DETECTION SYSTEM AND INTERCONNECTS BY DIVISION 26.

DATE	NO.	REVISION
2025/01/23	2	ISSUED FOR TENDER
2024/08/23	1	ISSUED FOR ECA APPROVAL

THE DRAWINGS, ARRANGEMENTS, ANNOTATIONS AND GRAPHICAL PRESENTATIONS ON THIS DOCUMENT ARE THE PROPERTY OF EVB ENGINEERING WHO RETAINS OWNERSHIP AND AUTHORITY OF THIS DOCUMENT IN ITS ENTIRETY. THIS DOCUMENT IS AN INSTRUMENT OF SERVICE AND IS THE INTELLECTUAL AND PHYSICAL PROPERTY OF EVB ENGINEERING. AUTHORIZED USE OF THIS DRAWING IS GRANTED SOLELY FOR THE PURPOSE OF THIS SPECIFIC PROJECT AND LOCATION, AND NOT FOR CONSTRUCTION OR USE FOR ANY OTHER PROJECT. COPYRIGHT © 2024 EVB ENGINEERING.



CONSULTANT:
 800 SECOND STREET WEST
 CORNWALL, ONTARIO CANADA, K6J 1H6
 TEL: 613-935-3775 | FAX: 613-935-6450
 WEBSITE: EVBEngineering.com

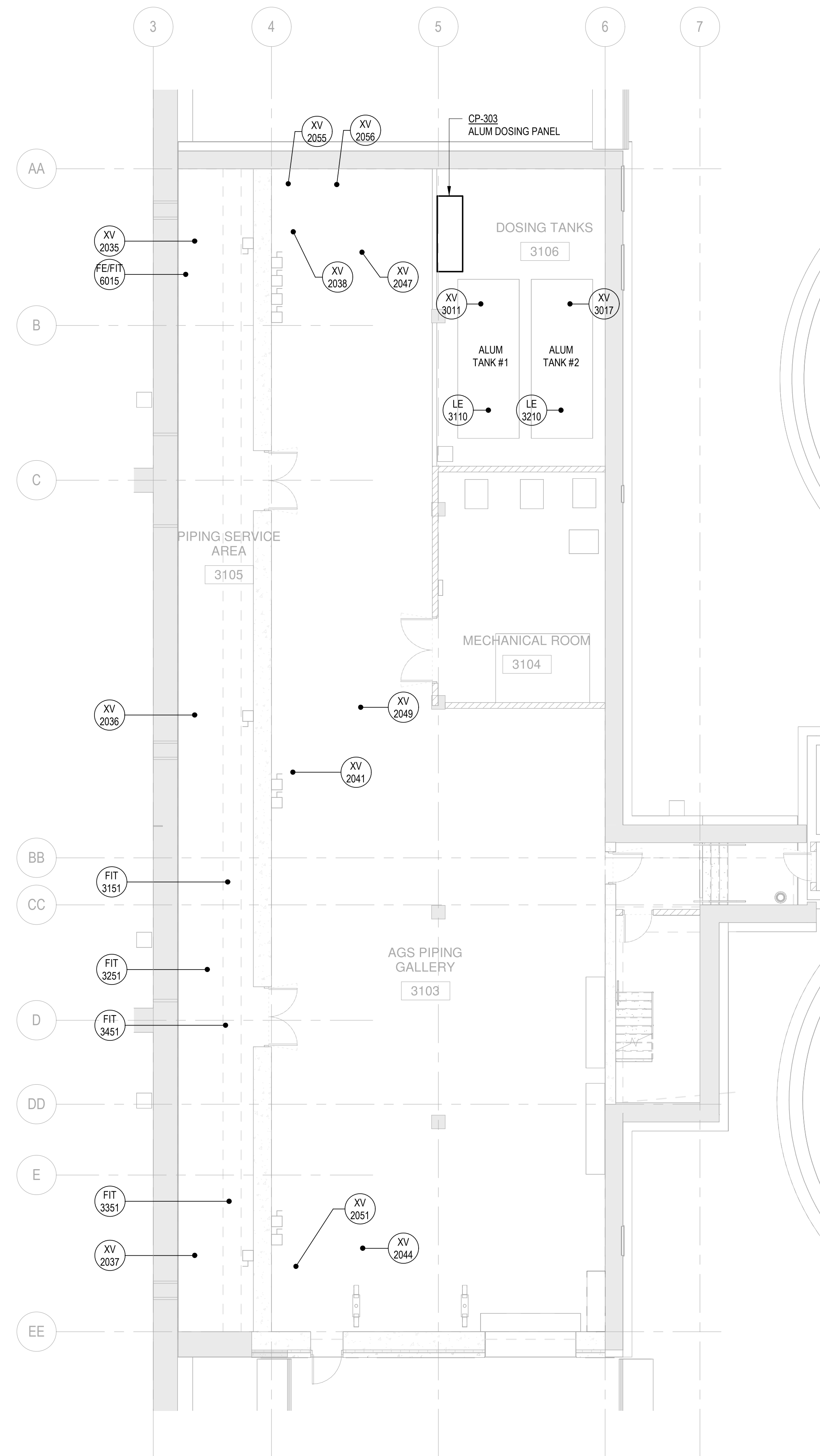
SUB-CONSULTANT:


CLIENT:
 Greater Napanee
 GREATERS FOR MANY REASONS

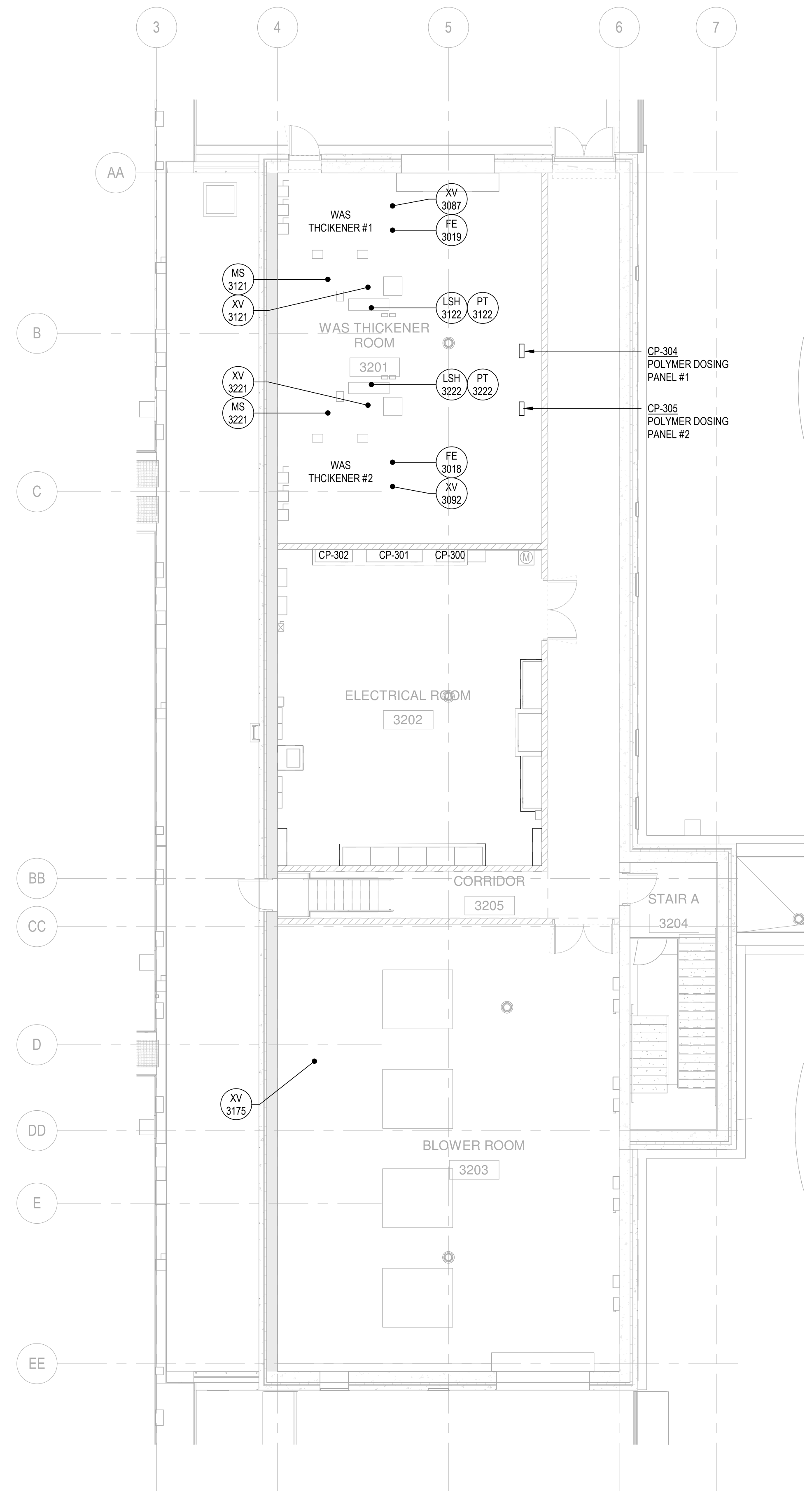
PROJECT:
 NEW NAPANEE WPCP

TITLE:
 OPERATIONS BUILDING - GAS
 DETECTION SYSTEM LAYOUT

SCALE: 1:100	JOB NO: 22001
DESIGNED BY: B.A.M.	DATE: 2023/06/13
DRAWN BY: B.A.M.	DRAWING NO.:
CHECKED BY: J.E.S.	E3141



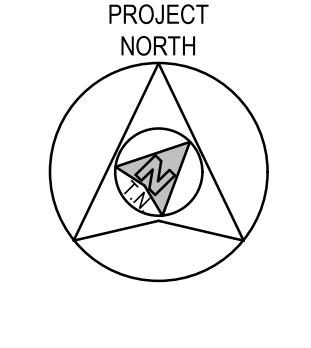
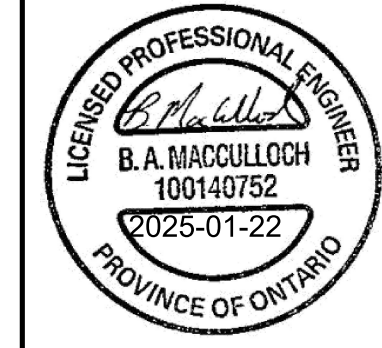
1
FIRST FLOOR PLAN
E3151 1:100



2
SECOND FLOOR PLAN
E3151 1:100

DATE	NO.	REVISION
2025/01/23	2	ISSUED FOR TENDER
2024/08/23	1	ISSUED FOR ECA APPROVAL

THE DRAWINGS, ARRANGEMENTS, ANNOTATIONS AND GRAPHICAL PRESENTATIONS ON THIS DOCUMENT ARE THE PROPERTY OF EVB ENGINEERING WHO RETAINS OWNERSHIP AND AUTHORITY OF THIS DOCUMENT IN ITS ENTIRETY. THIS DOCUMENT IS AN INSTRUMENT OF SERVICE AND IS THE INTELLECTUAL AND PHYSICAL PROPERTY OF EVB ENGINEERING. AUTHORIZED USE OF THIS DRAWING IS GRANTED SOLELY FOR THE PURPOSE OF THIS SPECIFIC PROJECT AND LOCATION, AND NOT FOR CONSTRUCTION OR USE FOR ANY OTHER PROJECT. COPYRIGHT © 2024 EVB ENGINEERING.



CONSULTANT:
 800 SECOND STREET WEST
 CORNWALL, ONTARIO CANADA, K6J 1H6
 TEL: 613-935-3775 | FAX: 613-935-6450
 WEBSITE: EVBengineering.com

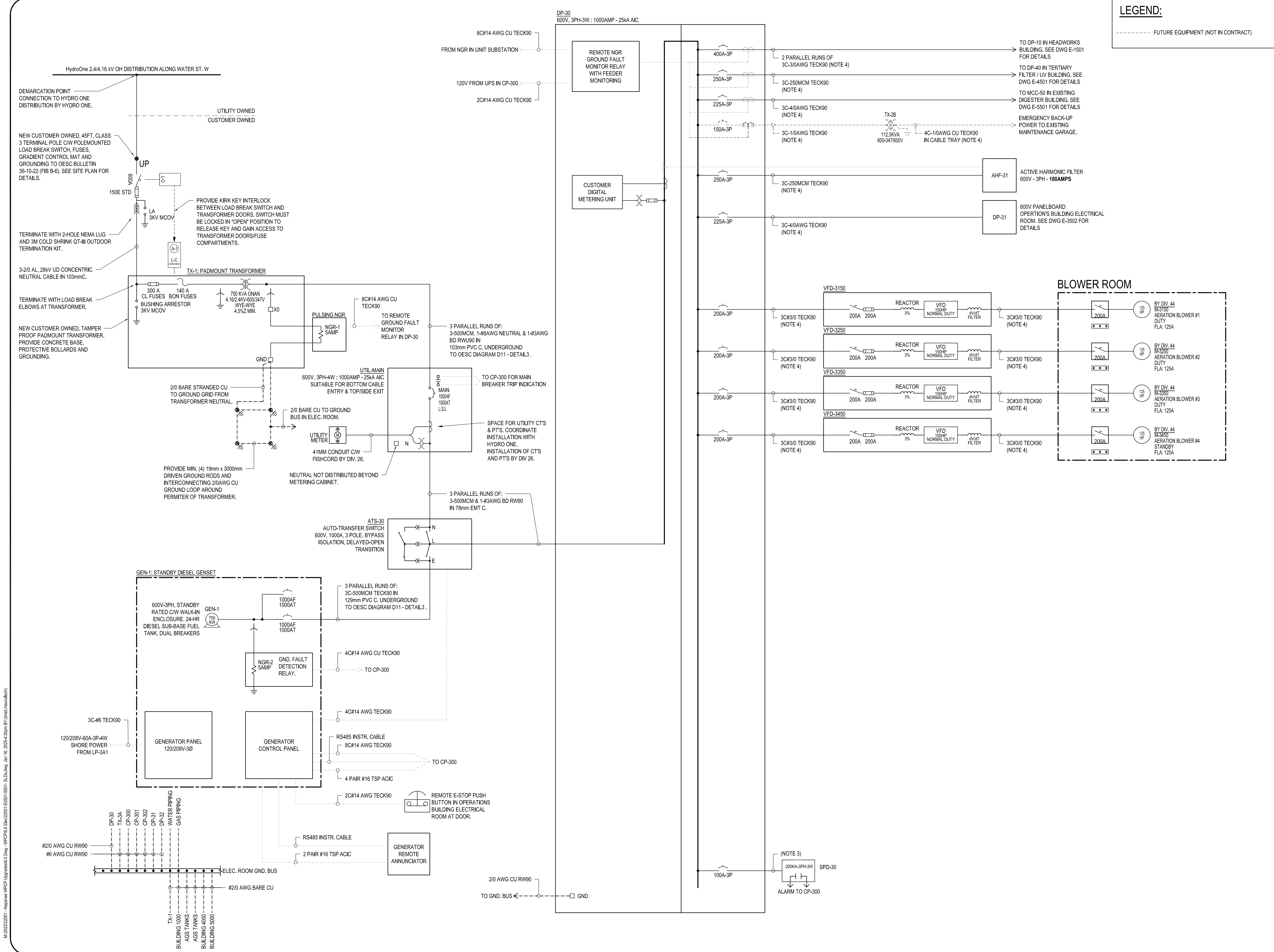
SUB-CONSULTANT:

CLIENT:
 Greater Napanee
 GREATER FOR MANY REASONS

PROJECT:
 NEW NAPANEE WPCP

TITLE:
 OPERATIONS BUILDING -
 INSTRUMENTATION LAYOUT

SCALE: 1:100	JOB NO: 22001
DESIGNED BY: B.A.M.	DATE: 2023/06/13
DRAWN BY: B.A.M.	DRAWING NO. E3151
CHECKED BY: J.E.S.	

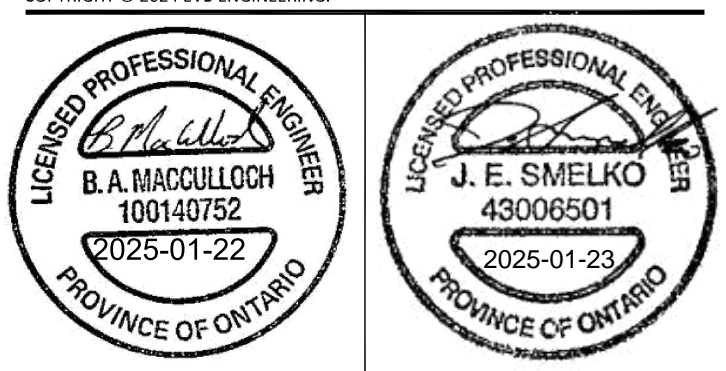


LEGEND:
 ----- FUTURE EQUIPMENT (NOT IN CONTRACT)

- NOTES:**
1. SURGE PROTECTIVE DEVICE TO BE CLOSE COUPLED TO PANEL BOARD WITH SUPPLY LEADS AS SHORT AS PRACTICABLE.
 2. PROVIDE MINIMUM 1 CABLE DIAMETER CLEARANCE FROM ADJACENT CABLES WITHIN CABLE TRAY.
 3. OUTDOOR WIRING RUN IN UNDERGROUND DUCTBANK PER ESA DIAGRAM D11, DETAIL 4. INDOOR PORTION TO BE RUN WITHIN CABLE TRAY.
 4. OUTDOOR WIRING RUN IN UNDERGROUND DUCTBANK PER ESA DIAGRAM D11, DETAIL 2. INDOOR PORTION TO BE RUN WITHIN CABLE TRAY.

DATE	No.	REVISION
2025/01/23	2	ISSUED FOR TENDER
2024/08/23	1	ISSUED FOR ECA APPROVAL

THE DRAWINGS, ARRANGEMENTS, ANNOTATIONS AND GRAPHICAL PRESENTATIONS ON THIS DOCUMENT ARE THE PROPERTY OF EVB ENGINEERING WHO RETAINS OWNERSHIP AND AUTHORITY OF THIS DOCUMENT IN ITS ENTIRETY. THIS DOCUMENT IS AN INSTRUMENT OF SERVICE AND IS THE INTELLECTUAL AND PHYSICAL PROPERTY OF EVB ENGINEERING. AUTHORIZED USE OF THIS DRAWING IS GRANTED SOLELY FOR THE PURPOSE OF THIS SPECIFIC PROJECT AND LOCATION, AND NOT FOR CONSTRUCTION OR USE FOR ANY OTHER PROJECT.
 COPYRIGHT © 2024 EVB ENGINEERING.



CONSULTANT:
EVB ENGINEERING
 800 SECOND STREET WEST
 CORNWALL, ONTARIO CANADA, K6J 1H6
 TEL: 813-935-3775 | FAX: 813-935-6450
 WEBSITE: EVBengineering.com



CLIENT:
Greater Napanee
 DELIVER FOR MANY REASONS

PROJECT:
NEW NAPANEE WPCP

TITLE:
**BUILDING 3000
 OPERATIONS
 SINGLE LINE DIAGRAM
 (1 OF 2)**

SCALE: N.T.S.	JOB NO: 22001
DESIGNED BY: J.S.	DATE: 2025/01/23
DRAWN BY: B.M.	DRAWING NO.
CHECKED BY: J.S.	E3501

M:\2022\22001 - Napanee WPCP Upgrade\E3501 - WPCP\Single Line Diagram.dwg - 1:5001 - SLD.dwg - Jan 16, 2024 - 4:30pm (B:\mud.mosak@evb.com)

Panel: LP-3A2

Location: ELECTRICAL ROOM 3202 Volts: 120/208 Wye A.I.C. Rating: 10kA
 Supply From: LP-3A1 Phases: 3 Mains Type: MLO
 Mounting: Surface Wires: 4 Mains Rating: 225 A
 Enclosure: NEMA 12 Dust tight Circuits: 60

CCT	DESCRIPTION	BKR	A	B	C	BKR	DESCRIPTION	CCT
1	EF-1 EXHAUST FAN	1P-20 A	█	█	█	1P-20 A	BASEMENT UNIT HEATERS	2
3	FORCE FLOW HEATERS - STAIRWELL	1P-20 A	█	█	█	1P-20 A	FIT-3351	4
5	FIT-3151	1P-20 A	█	█	█	1P-20 A	FIT-3251	6
7	EF-3 MECHANICAL ROOM EXHAUST	1P-20 A	█	█	█	1P-20 A	BASEMENT UNIT HEATERS	8
9	CP-303 ALUM DOSING PANEL	1P-20 A	█	█	█	1P-20 A	LIGHTING - BASEMENT	10
11	LIGHTING - BASEMENT	1P-20 A	█	█	█	1P-20 A	LIGHTING - PIPE SERVICE AREA	12
13,15	DHWT2 - ELECTRIC WATER HEATER - BASEMENT	2P-40 A	█	█	█	1P-20 A	TRAP SEAL PRIMER	14
17,19,21	B2 - BOILER #2	3P-15 A	█	█	█	3P-15 A	B1 - BOILER #1	16,18,20
			█	█	█	1P-20 A	FT-3451	22

Notes:

Panel: LP-3A1

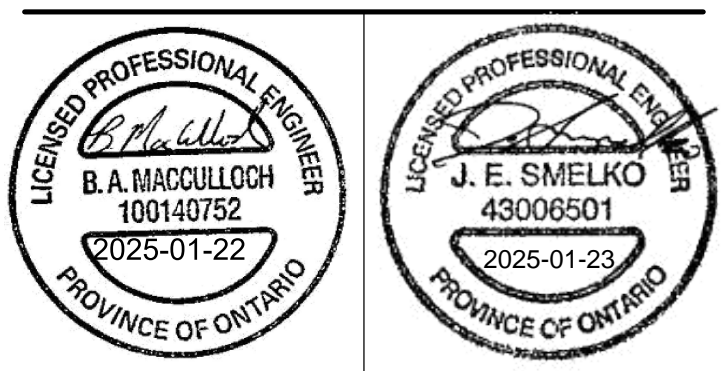
Location: ELECTRICAL ROOM 3202 Volts: 120/208 Wye A.I.C. Rating: 10kA
 Supply From: TX-3A Phases: 3 Mains Type: MLO
 Mounting: Surface Wires: 4 Mains Rating: 225 A
 Enclosure: NEMA 12 Dust tight Circuits: 60


CCT	DESCRIPTION	BKR	A	B	C	BKR	DESCRIPTION	CCT
1	EF-4 EXHAUST FAN	1P-20 A	█	█	█	1P-20 A	EF-5 EXHAUST FAN	2
3	UNIT HEATERS - ELEC/BLOWER ROOM	1P-20 A	█	█	█	1P-20 A	CP-304 POLYMER DOSING PANEL #1	4
5	CP-305 POLYMER DOSING PANEL #2	1P-20 A	█	█	█	1P-20 A	HOUSKEEPING RECEPTACLES	6
7	UNIT HEATER - WAS THICKENER ROOM	1P-20 A	█	█	█	1P-20 A	FORCE FLOW HEATERS - CORRIDOR	8
9	RECEPTACLES - ELEC ROOM	1P-20 A	█	█	█	1P-20 A	BLOWER #1 - EXHAUST FAN	10
11	BLOWER #2 - EXHAUST FAN	1P-20 A	█	█	█	1P-20 A	BLOWER #3 - EXHAUST FAN	12
13	BLOWER #4 - EXHAUST FAN	1P-20 A	█	█	█			
15	EF-6 EXHAUST FAN	1P-20 A	█	█	█	1P-20 A	LIGHTING - BLOWER ROOM	16
17	LIGHTING - AGS TANKS	1P-20 A	█	█	█	1P-20 A	LIGHTING - CORRIDOR	18
19	LIGHTING - ELEC. ROOM	1P-20 A	█	█	█	1P-20 A	LIGHTING - WAS THICKENER ROOM	20
21	LIGHTING - EXTERIOR	1P-20 A	█	█	█	1P-20 A	AIT-2101, AIT-2102, AIT-2103	22
23	AGS TANK #1 - PHOSPHAX ANALYZER	1P-20 A	█	█	█	1P-20 A	AGS TANK #2 - PHOSPHAX ANALYZER	24
25	AIT-2201, AIT-2202, AIT-2203	1P-20 A	█	█	█	1P-20 A	AGS TANK #3 - PHOSPHAX ANALYZER	26
27	AIT-2301, AIT-2302, AIT-2303	1P-20 A	█	█	█	1P-20 A	EF-11 STAIRWELL EXHAUST FAN	28
29	CP-300	1P-20 A	█	█	█	1P-20 A	NP-31 - NETWORK / SECURITY PANELS	30
31	FACU-31 - FIRE ALARM PANEL	1P-15 A	█	█	█	2P-40 A	C1-ELEC ROOM A/C UNIT	32,34

Notes:

DATE	NO.	REVISION
2025/01/23	2	ISSUED FOR TENDER
2024/08/23	1	ISSUED FOR ECA APPROVAL

THE DRAWINGS, ARRANGEMENTS, ANNOTATIONS AND GRAPHICAL PRESENTATIONS ON THIS DOCUMENT ARE THE PROPERTY OF EVB ENGINEERING WHO RETAINS OWNERSHIP AND AUTHORITY OF THIS DOCUMENT IN ITS ENTIRETY. THIS DOCUMENT IS AN INSTRUMENT OF SERVICE AND IS THE INTELLECTUAL AND PHYSICAL PROPERTY OF EVB ENGINEERING. AUTHORIZED USE OF THIS DRAWING IS GRANTED SOLELY FOR THE PURPOSE OF THIS SPECIFIC PROJECT AND LOCATION, AND NOT FOR CONSTRUCTION OR USE FOR ANY OTHER PROJECT.
 COPYRIGHT © 2024 EVB ENGINEERING.



CONSULTANT:
 800 SECOND STREET WEST
 CORNWALL, ONTARIO CANADA, K6J 1H6
 TEL: 613-835-3775 | FAX: 613-835-6450
 WEBSITE: EVBengineering.com

SUB-CONSULTANT:

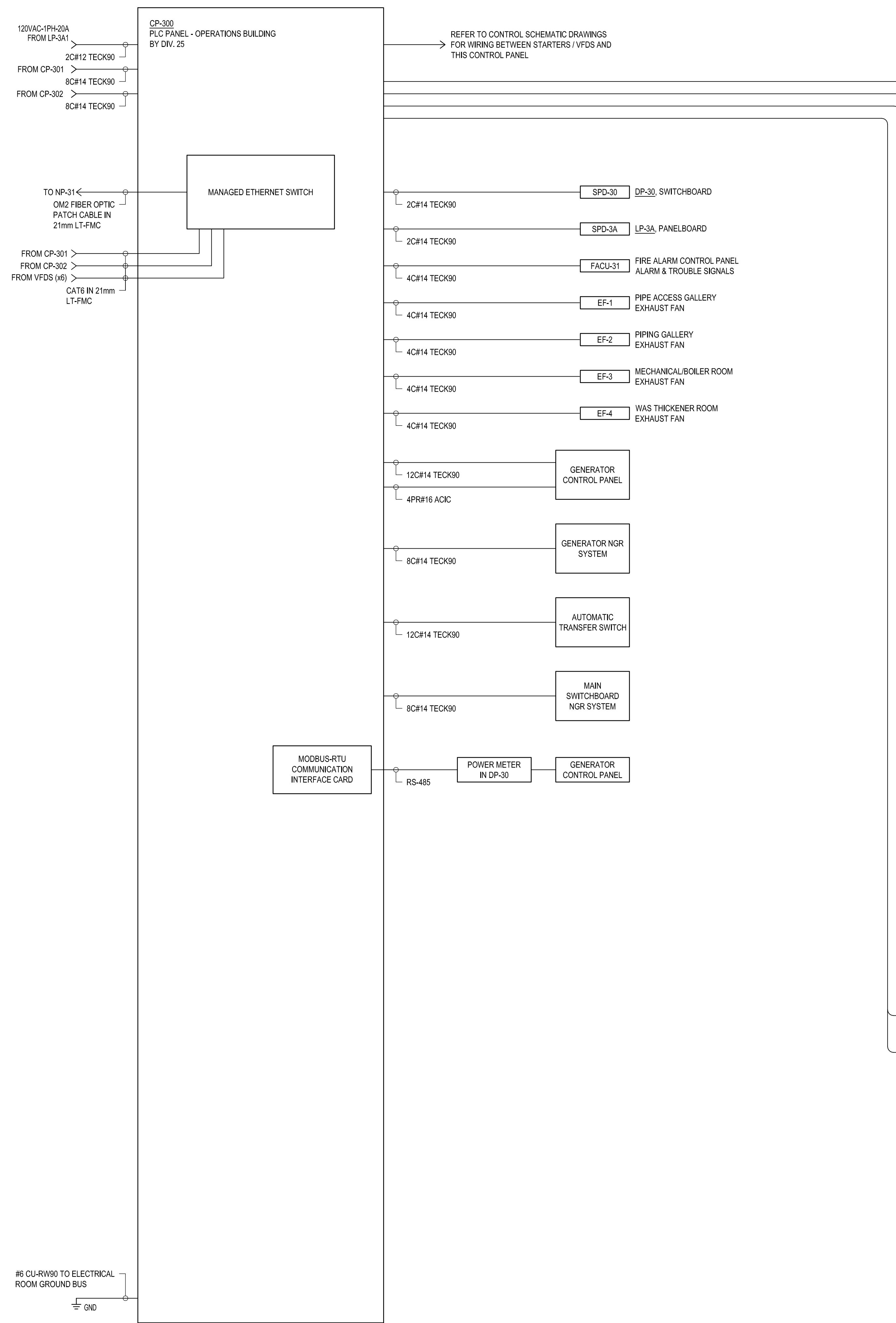

CLIENT:

 GREATER FOR BARRY REGION

PROJECT:
 NEW NAPANEE WPCP

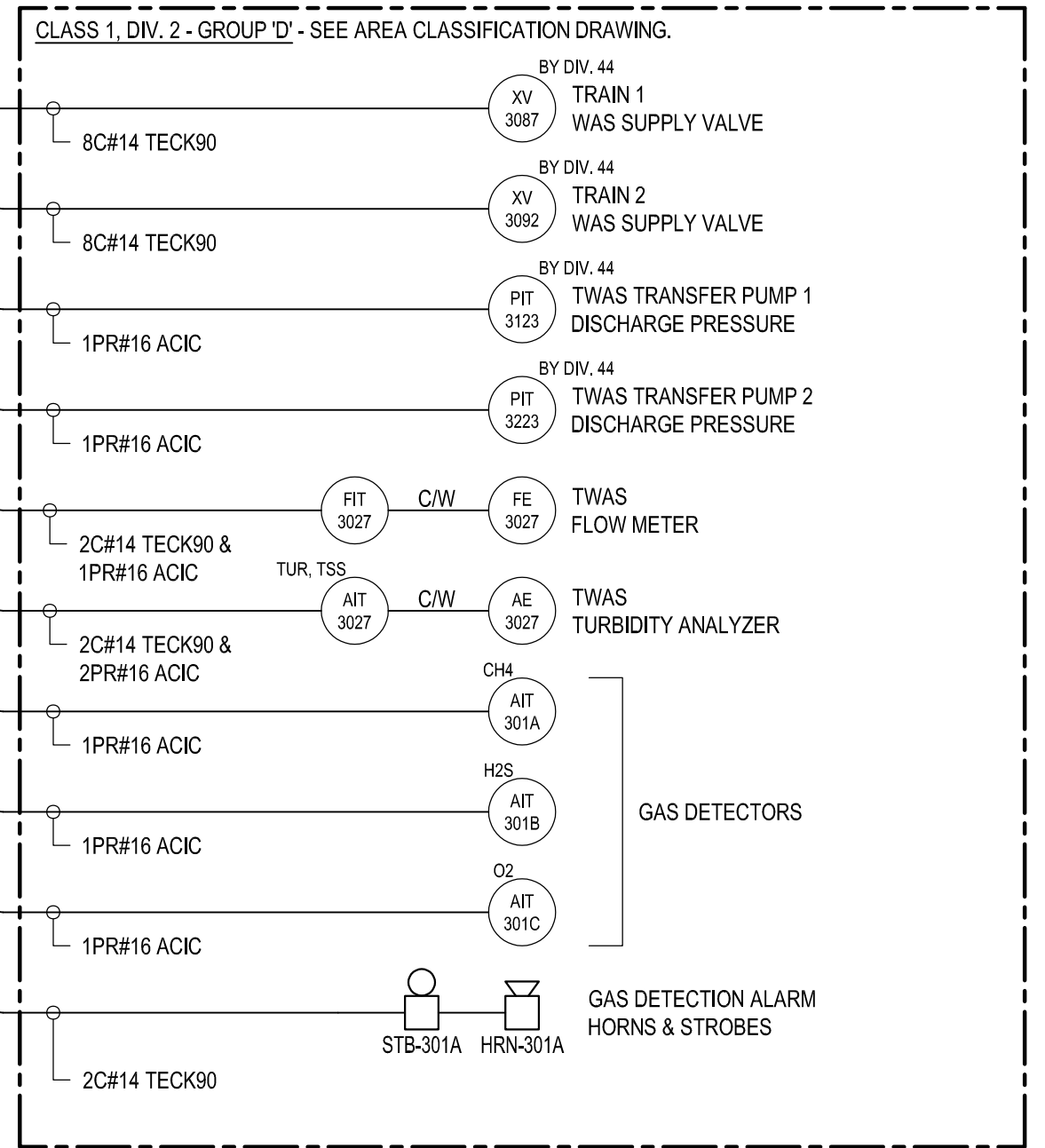
TITLE:
 LIGHTING PANEL SCHEDULES

SCALE:	JOB NO:
DESIGNED BY:	22001
B.A.M.	DATE:
2023/06/13	
DRAWN BY:	DRAWING NO.
B.A.M.	E3511
CHECKED BY:	
J.E.S.	

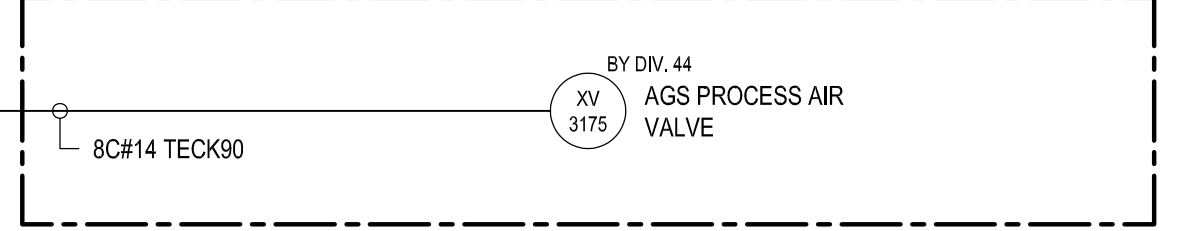


REFER TO CONTROL SCHEMATIC DRAWINGS FOR WIRING BETWEEN STARTERS / VFDS AND THIS CONTROL PANEL

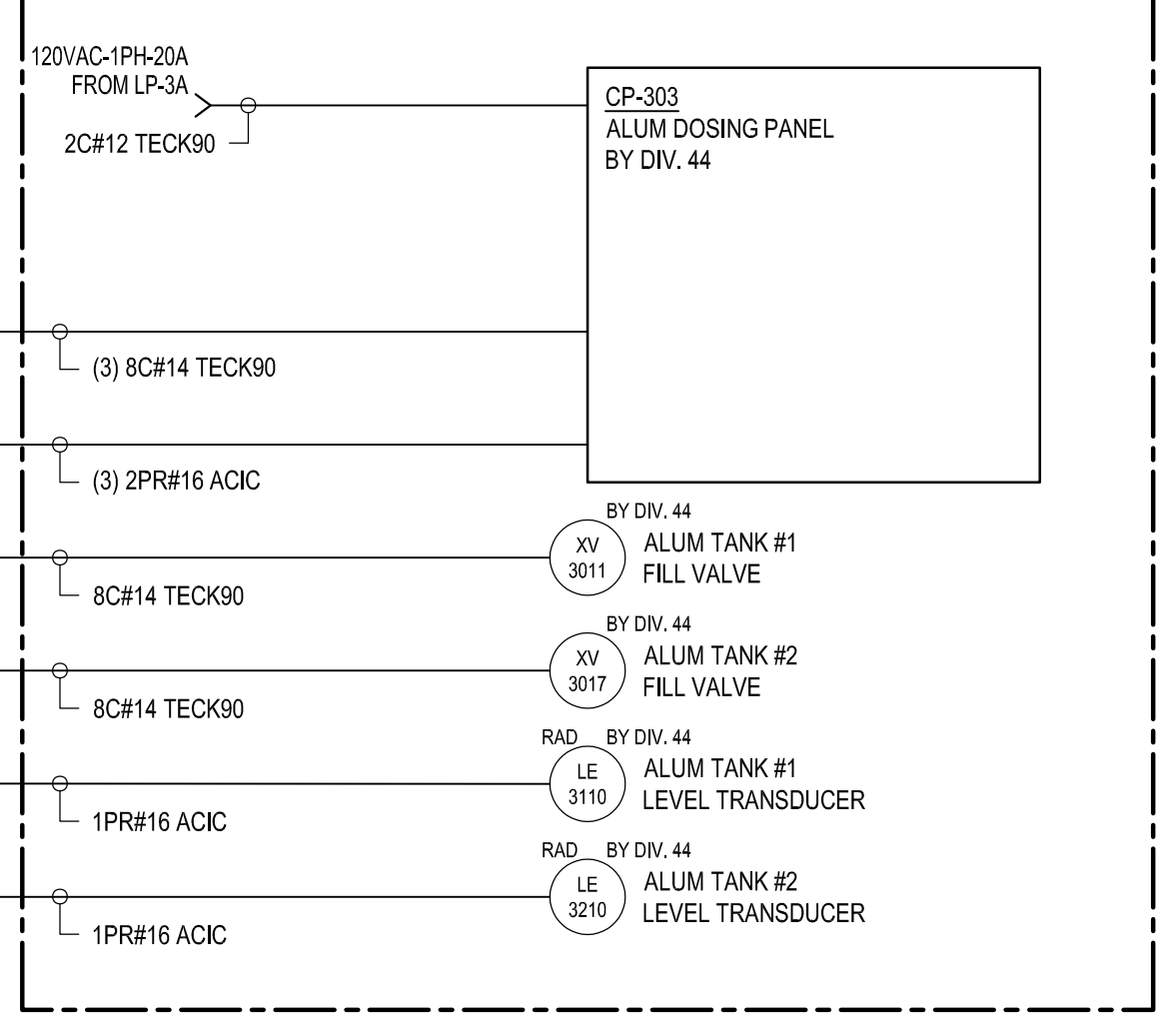
WAS THICKENER ROOM



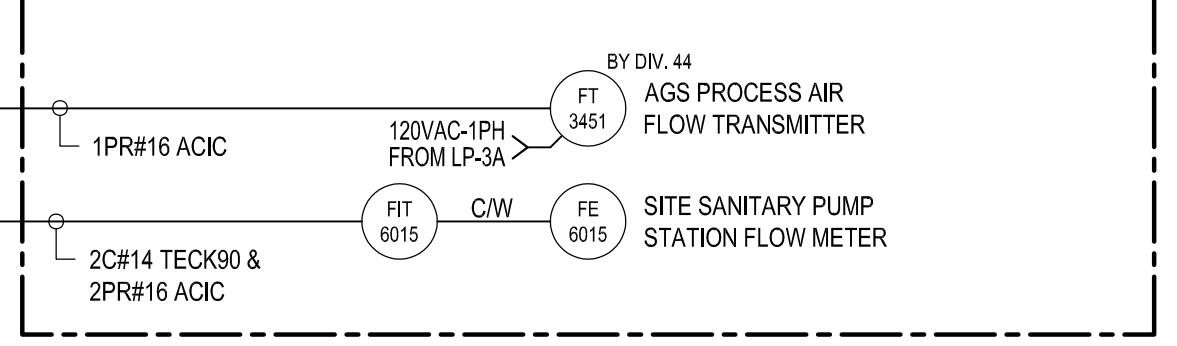
BLOWER ROOM



OPERATIONS BASEMENT

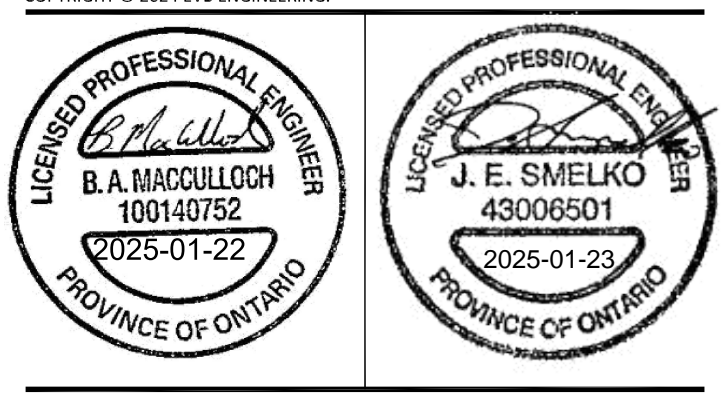


OPERATIONS BASEMENT - PIPING SERVICE AREA



DATE	No.	REVISION
2025/01/23	2	ISSUED FOR TENDER
2024/08/23	1	ISSUED FOR ECA APPROVAL

THE DRAWINGS, ARRANGEMENTS, ANNOTATIONS AND GRAPHICAL PRESENTATIONS ON THIS DOCUMENT ARE THE PROPERTY OF EVB ENGINEERING WHO RETAINS OWNERSHIP AND AUTHORITY OF THIS DOCUMENT IN ITS ENTIRETY. THIS DOCUMENT IS AN INSTRUMENT OF SERVICE AND IS THE INTELLECTUAL AND PHYSICAL PROPERTY OF EVB ENGINEERING. AUTHORIZED USE OF THIS DRAWING IS GRANTED SOLELY FOR THE PURPOSE OF THIS SPECIFIC PROJECT AND LOCATION, AND NOT FOR CONSTRUCTION OR USE FOR ANY OTHER PROJECT.
 COPYRIGHT © 2024 EVB ENGINEERING.



CONSULTANT:
EVB ENGINEERING
 800 SECOND STREET WEST
 CORNWALL, ONTARIO CANADA, K6J 1H6
 TEL: 613-935-3775 | FAX: 613-935-6450
 WEBSITE: EVBengineering.com



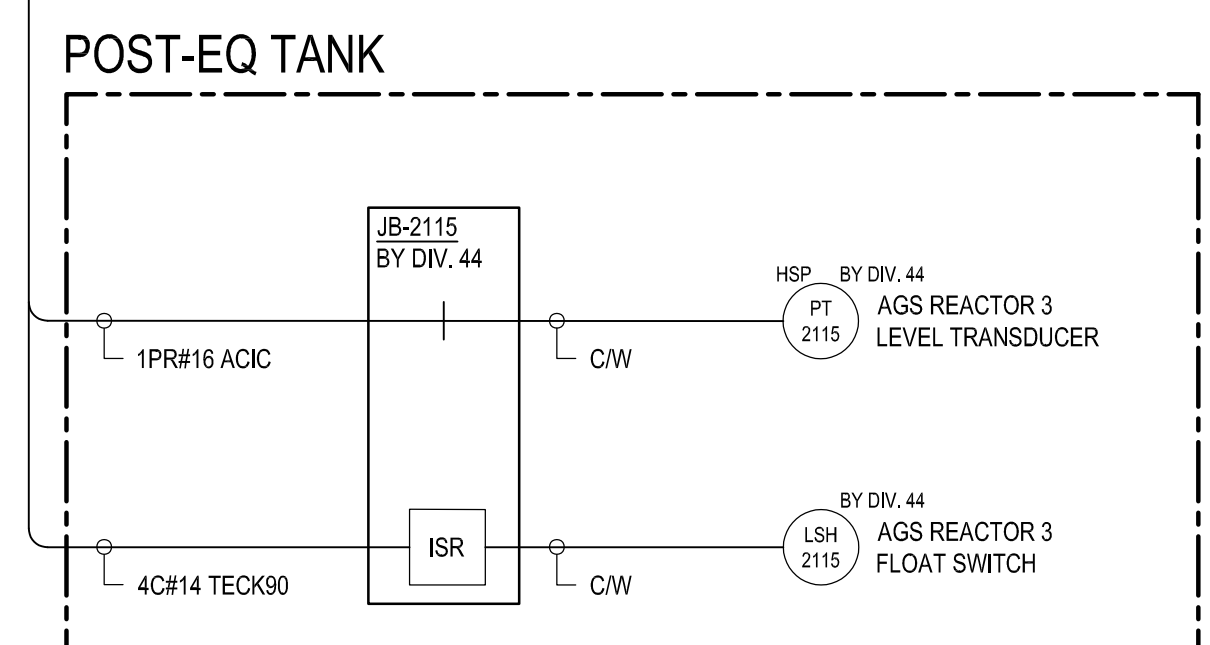
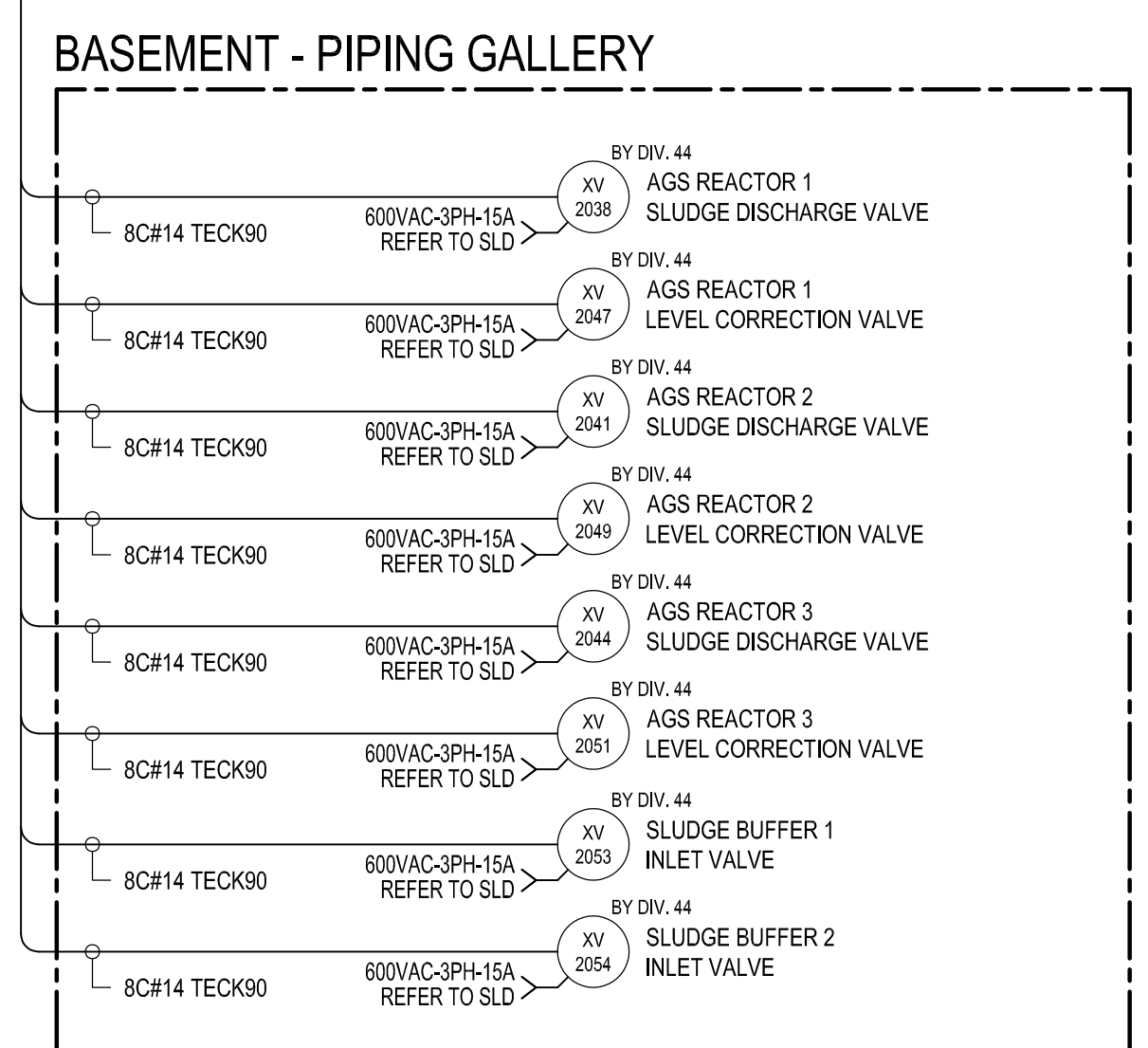
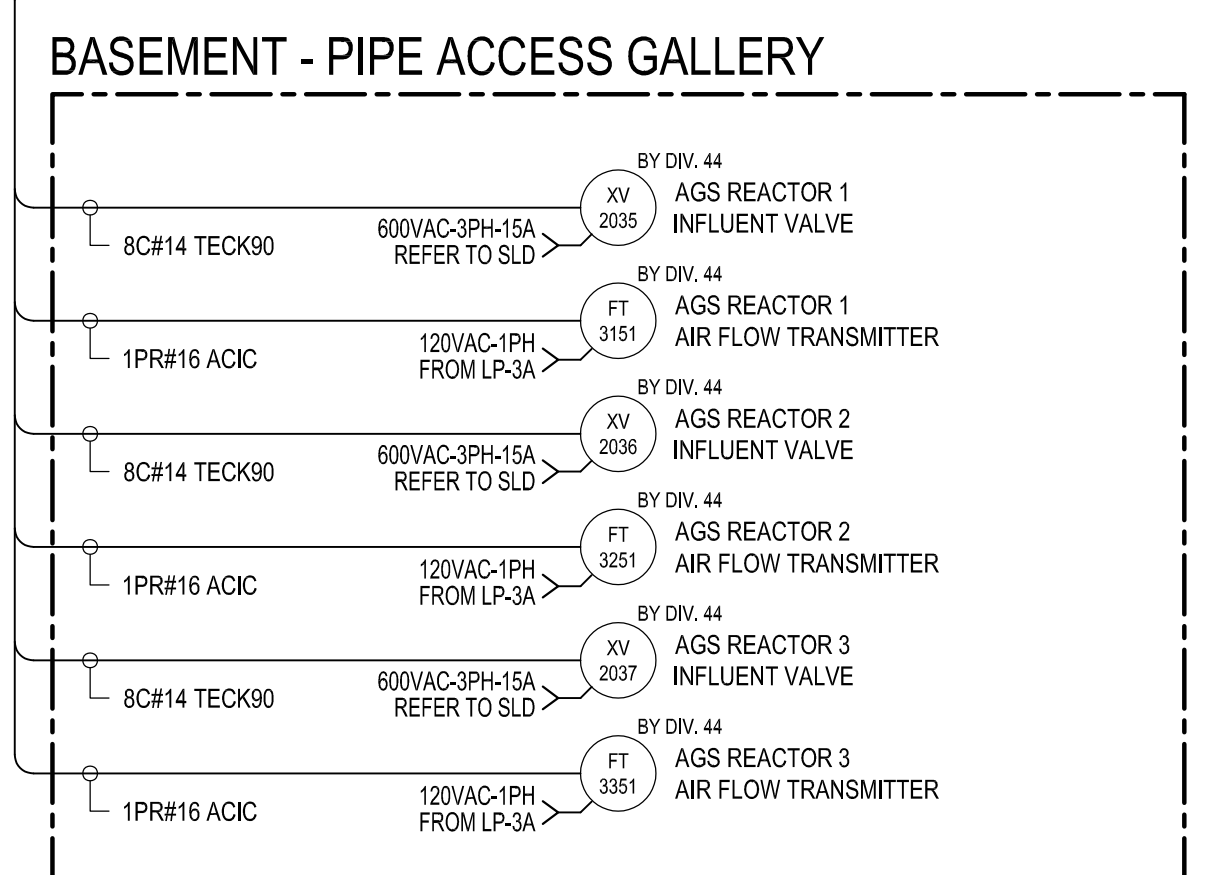
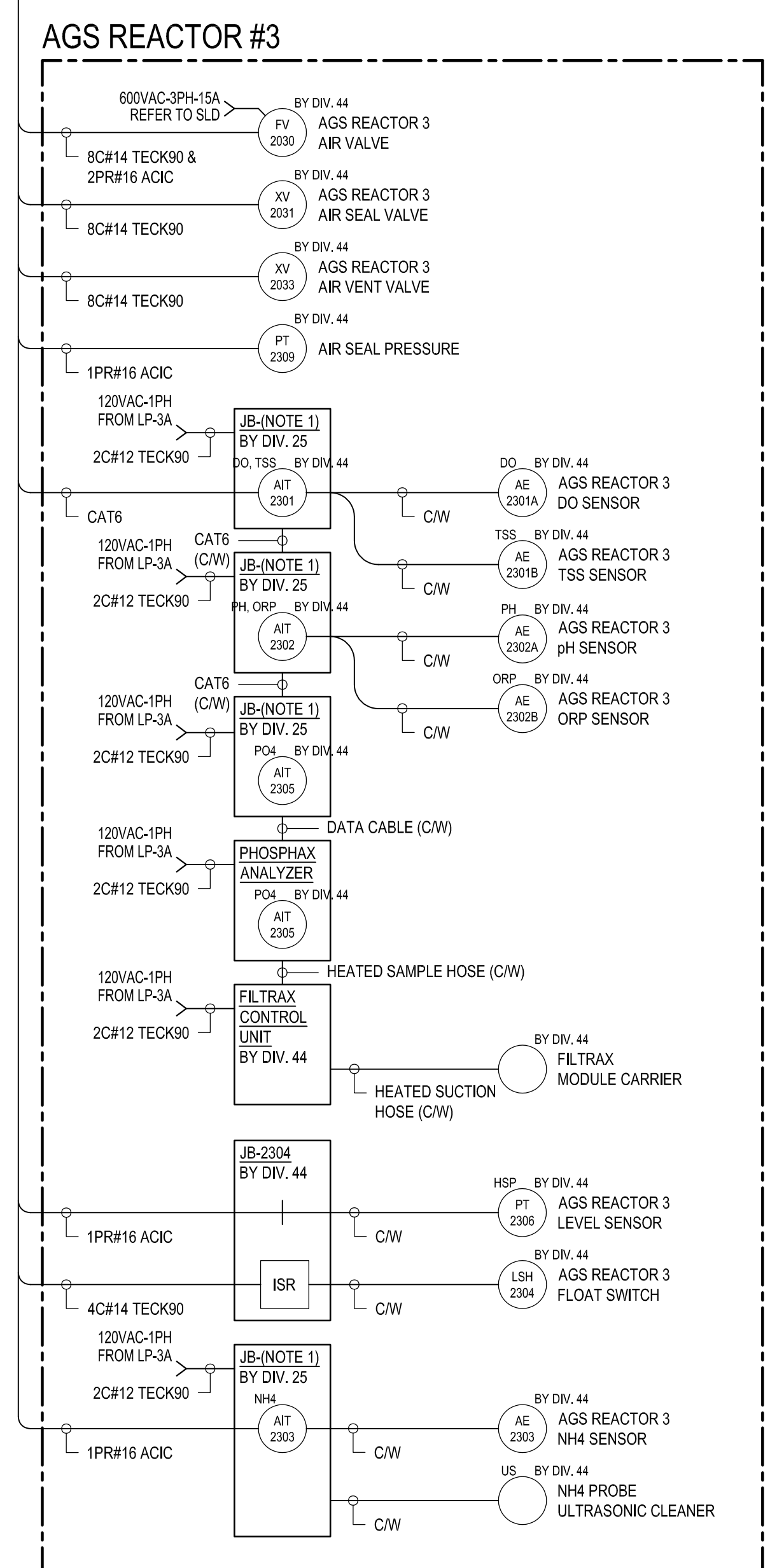
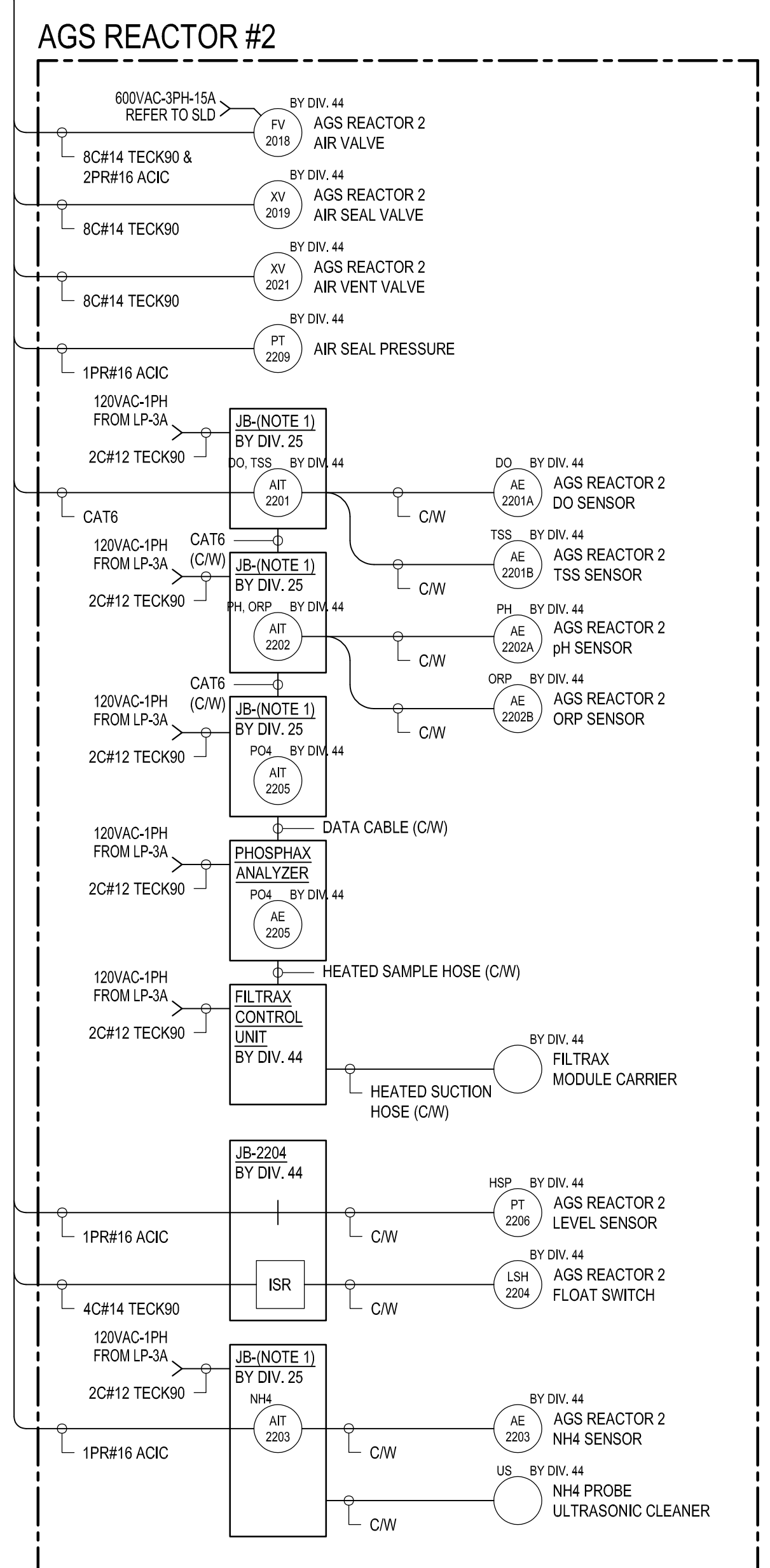
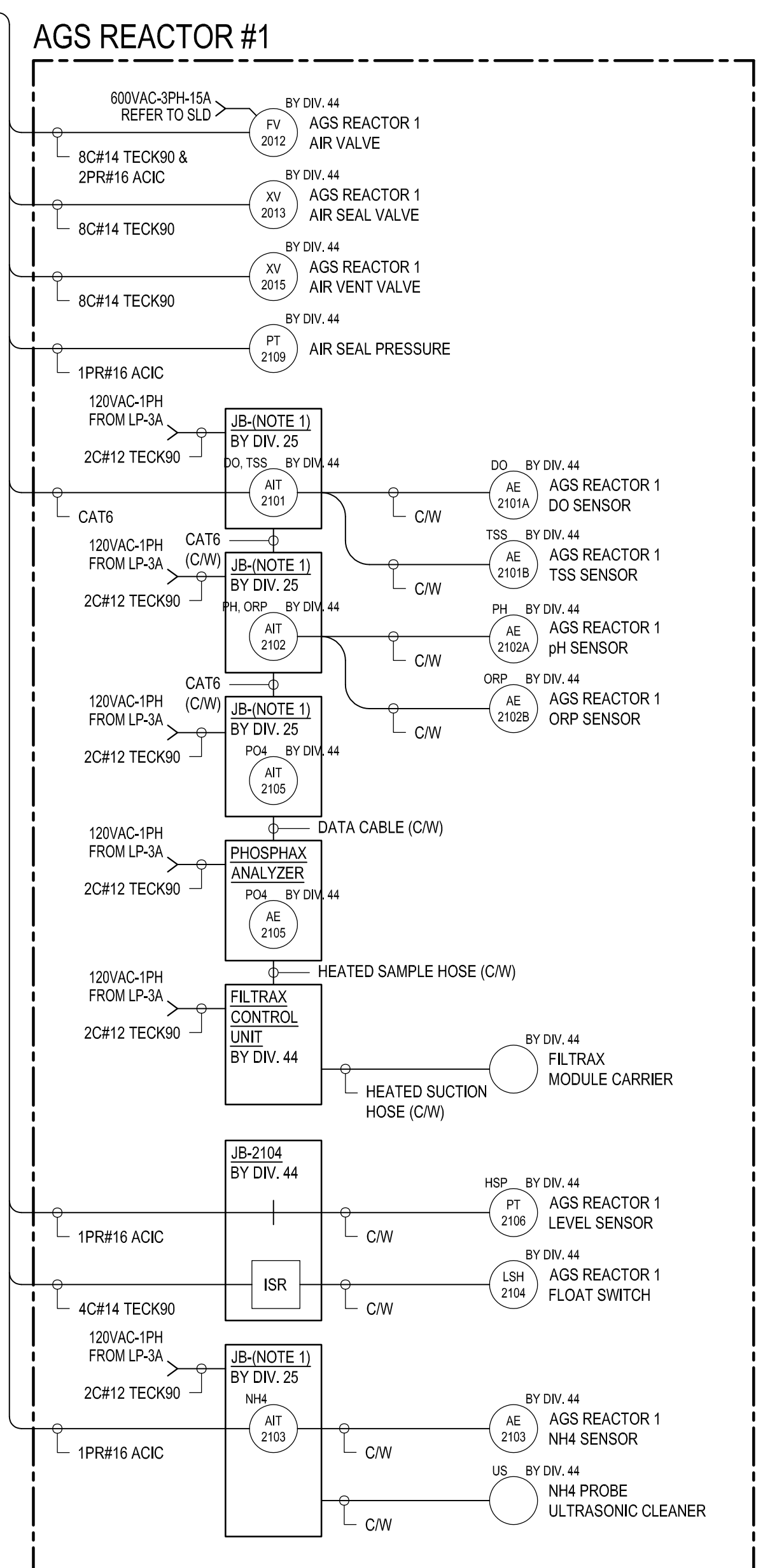
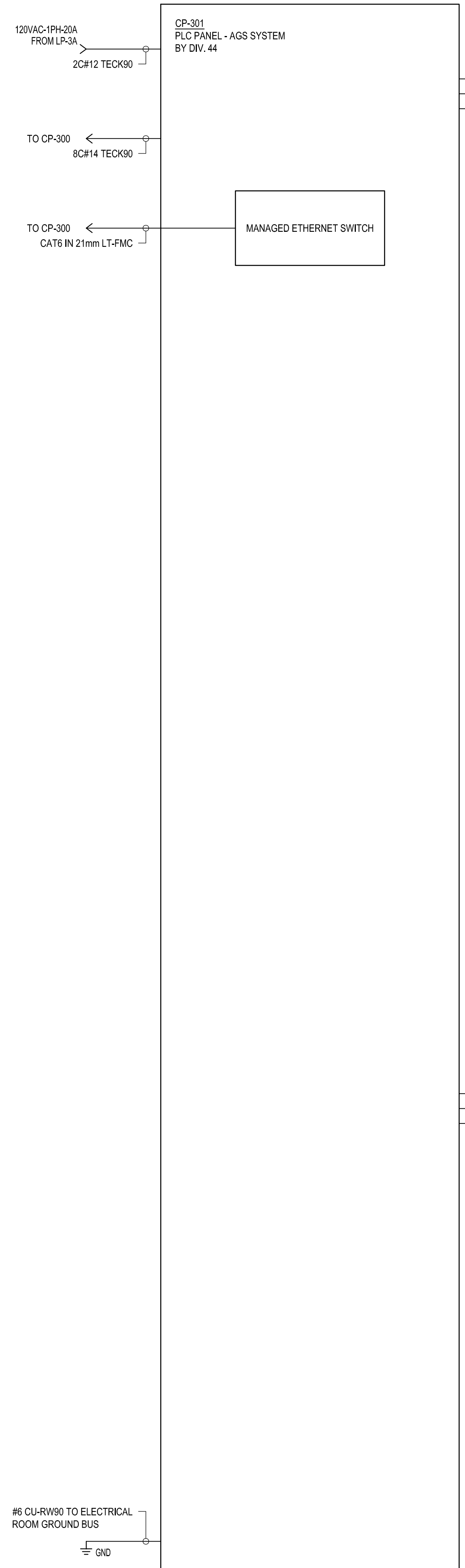
CLIENT:
Greater Napanee
 GREATER FOR MANY REASONS

PROJECT:
NEW NAPANEE WPCP

TITLE:
CP-300 WIRING DIAGRAM

SCALE: N.T.S.	JOB NO: 22001
DESIGNED BY: B.M.	DATE: 2025/01/23
DRAWN BY: B.M.	DRAWING NO.
CHECKED BY: J.S.	E3551

M:\2025\22001 - Napanee WPCP Upgrade\E3551 - WPCP\PLC ELEC\22001 E3551 - CP Wiring.dwg - J.S. - 2025-01-23 10:46:10 AM (J.S.)

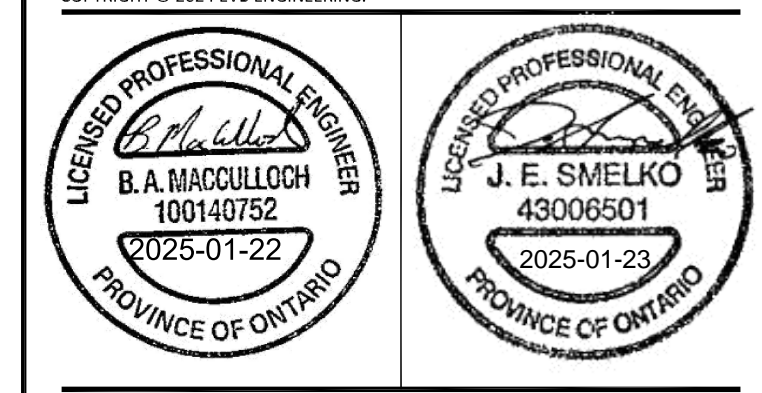


NOTES:

- DIV 25 TO PROVIDE NEMA 4X HEATED ENCLOSURE FOR MOUNTING OUTDOOR TRANSMITTERS. SEE E0405 FOR TYPICAL ARRANGEMENT.

DATE	No.	REVISION
2025/01/23	2	ISSUED FOR TENDER
2024/08/23	1	ISSUED FOR ECA APPROVAL

THE DRAWINGS, ARRANGEMENTS, ANNOTATIONS AND GRAPHICAL PRESENTATIONS ON THIS DOCUMENT ARE THE PROPERTY OF EVB ENGINEERING WHO RETAINS OWNERSHIP AND AUTHORITY OF THIS DOCUMENT IN ITS ENTIRETY. THIS DOCUMENT IS AN INSTRUMENT OF SERVICE AND IS THE INTELLECTUAL AND PHYSICAL PROPERTY OF EVB ENGINEERING. AUTHORIZED USE OF THIS DRAWING IS GRANTED SOLELY FOR THE PURPOSE OF THIS SPECIFIC PROJECT AND LOCATION, AND NOT FOR CONSTRUCTION OR USE FOR ANY OTHER PROJECT.
COPYRIGHT © 2024 EVB ENGINEERING.



CONSULTANT:
EVB ENGINEERING
 800 SECOND STREET WEST
 CORNWALL, ONTARIO CANADA, K6J 1H6
 TEL: 613-935-3775 | FAX: 613-935-6450
 WEBSITE: evbengineering.com

SUB-CONSULTANT:
CIM+
 CLIENT:
Greater Napanee
 CREATING FOR MANY REASONS

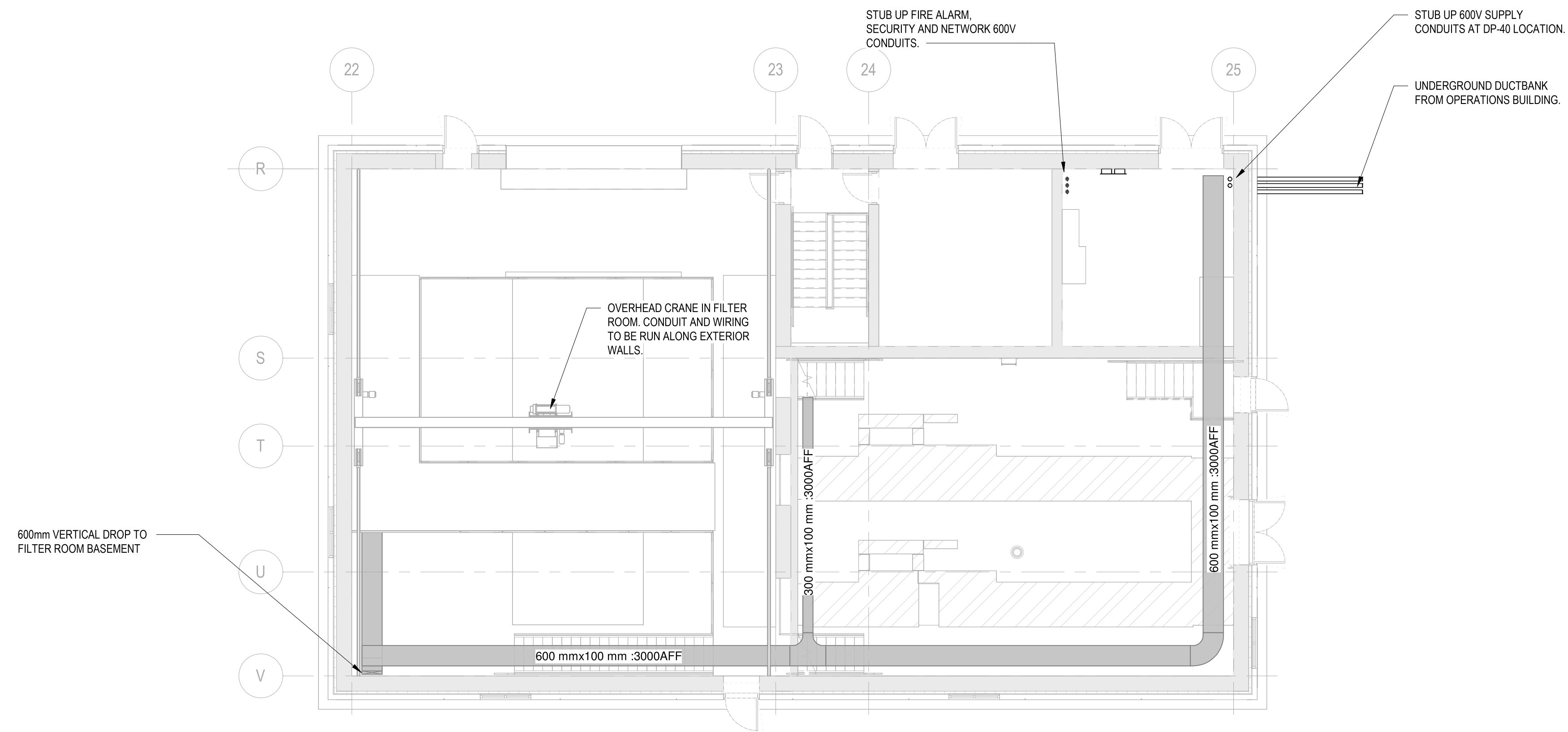
PROJECT:
NEW NAPANEE WPCP

TITLE:
**CP-301
 WIRING DIAGRAM**

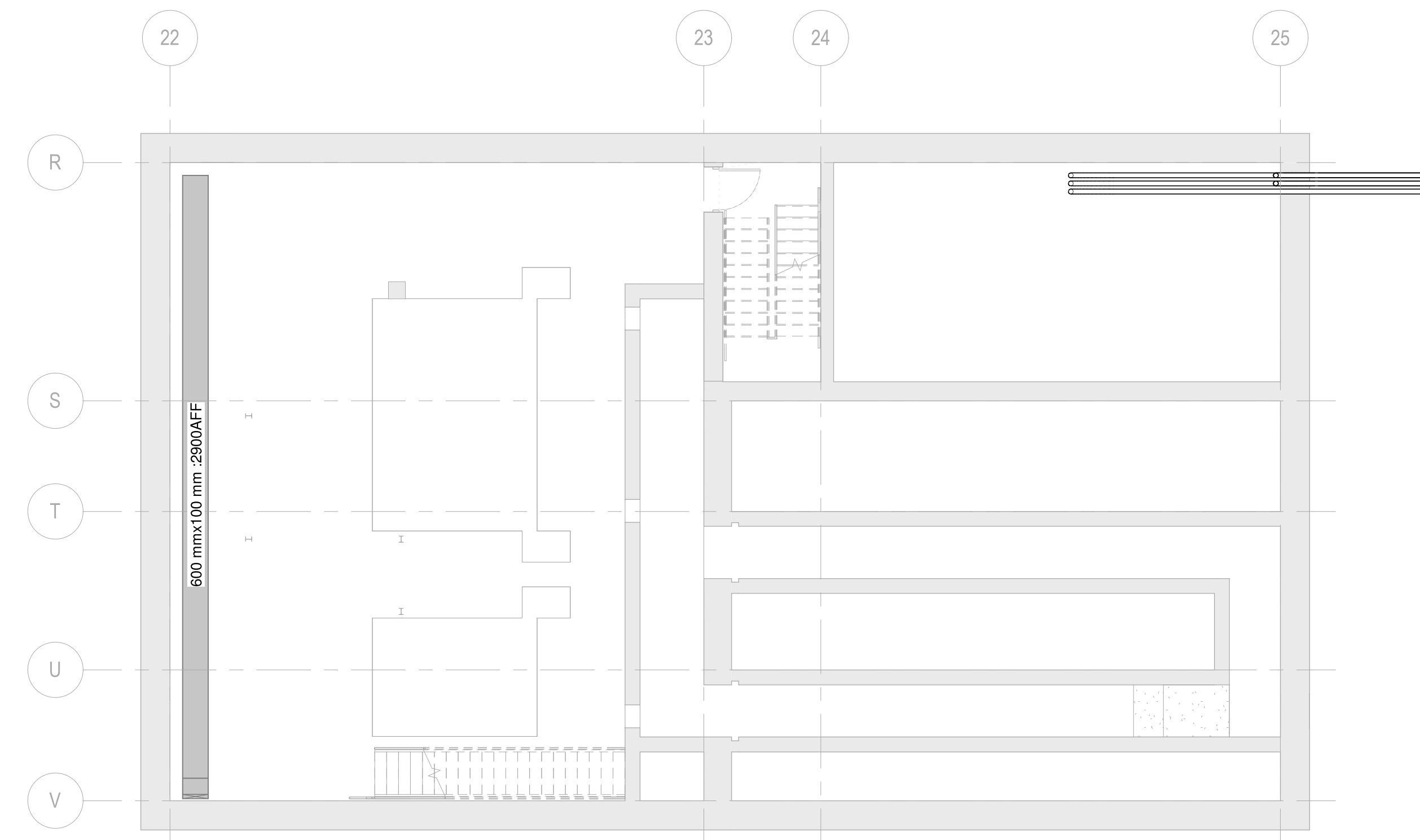
SCALE: N.T.S.	JOB NO: 22001
DESIGNED BY: B.M.	DATE: 2025/01/23
DRAWN BY: B.M.	DRAWING NO.
CHECKED BY: J.S.	E3552

M:2025/02/01 - Napanee WPCP - Upgrade to ECA - WPCP/PLC/Electrical/22001-E3552 - CP - Wiring Diagram - 2025-01-23 (10:40:00 AM) (10:40:00 AM)

2025-01-22 4:43:29 PM Autodesk Docs://22001 - Napanee New WPCP/22001-WPCP-Elc-4000.rvt



1 GROUND FLOOR - CABLE TRAY LAYOUT
E4101 1:100



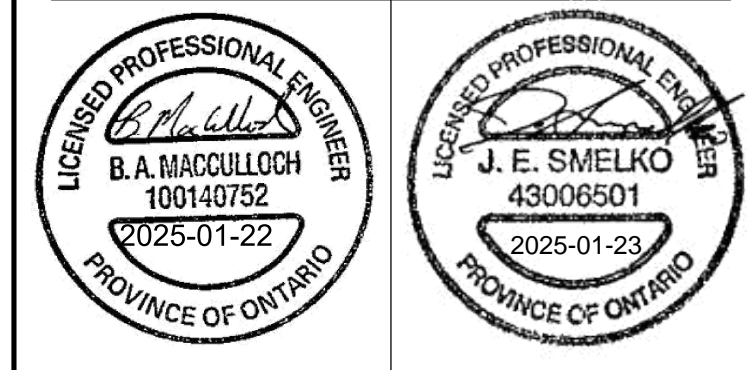
2 BASEMENT - CABLE TRAY LAYOUT
E4101 1:100

NOTES:

- TRAY ELEVATIONS NOTED ABOVE FINISHED FLOOR (AFF) ARE TO THE UNDERSIDE OF CABLE TRAY. ELEVATIONS NOTED FROM BELOW CEILING (BC) ARE TO THE TOP OF CABLE TRAY. GROUND FLOOR ELEVATIONS ARE NOTED FROM TOP OF FILTER ROOM FLOOR.
- UV AND FILTER ROOMS ARE HIGH HUMIDITY ENVIRONMENTS. WIRING TO BE TECK90 / ACIC ARMOURED CABLE. RUN IN CABLE TRAY OR WIRING TO BE RUN IN RIGID PVC CONDUIT IN THIS LOCATIONS.

DATE	NO.	REVISION
2025/01/23	2	ISSUED FOR TENDER
2024/08/23	1	ISSUED FOR ECA APPROVAL

THE DRAWINGS, ARRANGEMENTS, ANNOTATIONS AND GRAPHICAL PRESENTATIONS ON THIS DOCUMENT ARE THE PROPERTY OF EVB ENGINEERING WHO RETAINS OWNERSHIP AND AUTHORITY OF THIS DOCUMENT IN ITS ENTIRETY. THIS DOCUMENT IS AN INSTRUMENT OF SERVICE AND IS THE INTELLECTUAL AND PHYSICAL PROPERTY OF EVB ENGINEERING. AUTHORIZED USE OF THIS DRAWING IS GRANTED SOLELY FOR THE PURPOSE OF THIS SPECIFIC PROJECT AND LOCATION, AND NOT FOR CONSTRUCTION OR USE FOR ANY OTHER PROJECT. COPYRIGHT © 2024 EVB ENGINEERING.



CONSULTANT:
EVB ENGINEERING
 800 SECOND STREET WEST
 CORNWALL, ONTARIO CANADA, K6J 1H6
 TEL: 613-935-3775 | FAX: 613-935-6450
 WEBSITE: EVBengineering.com

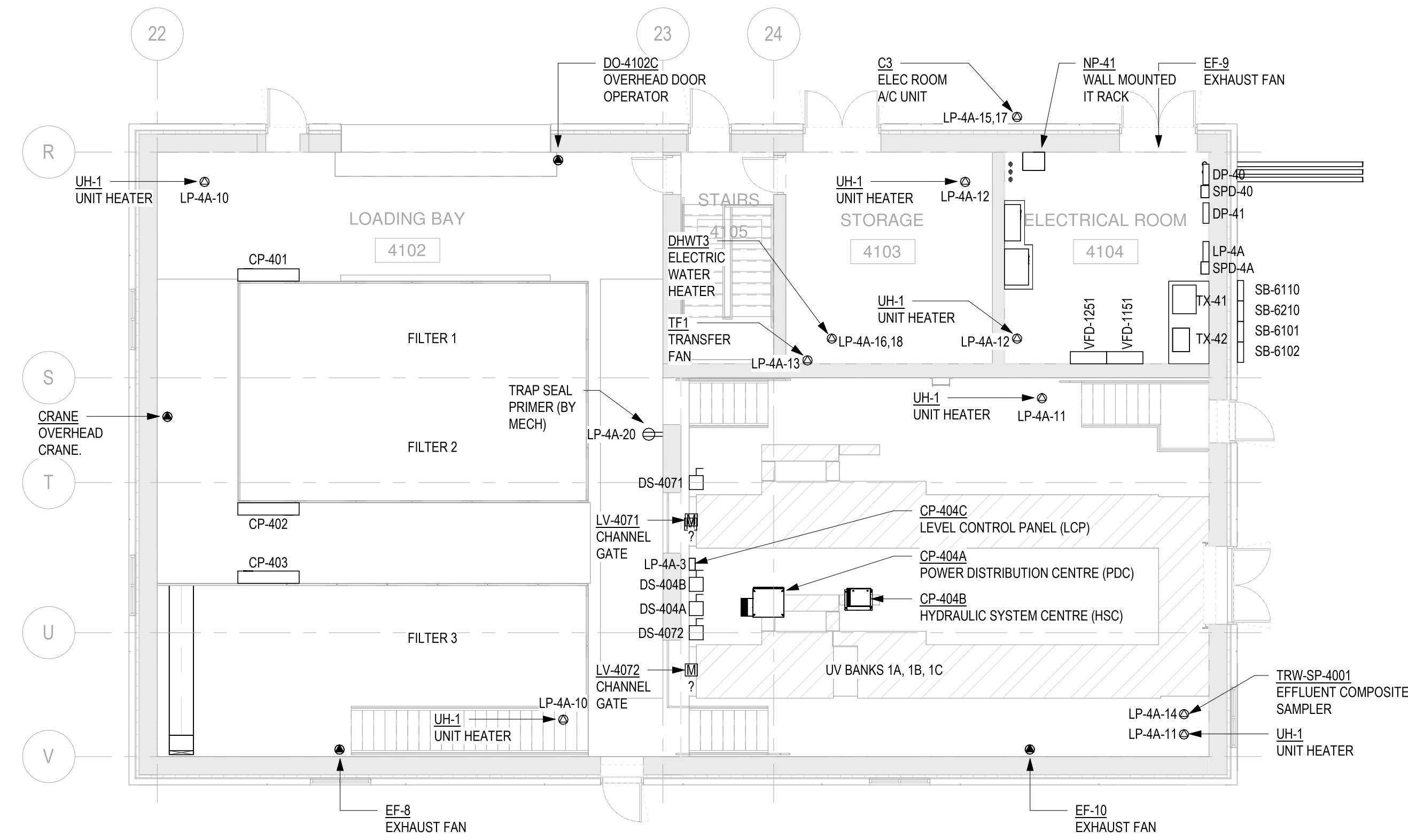
SUB-CONSULTANT:
CIMA+

CLIENT:
Greater Napanee
GREATER FOR MANY REASONS

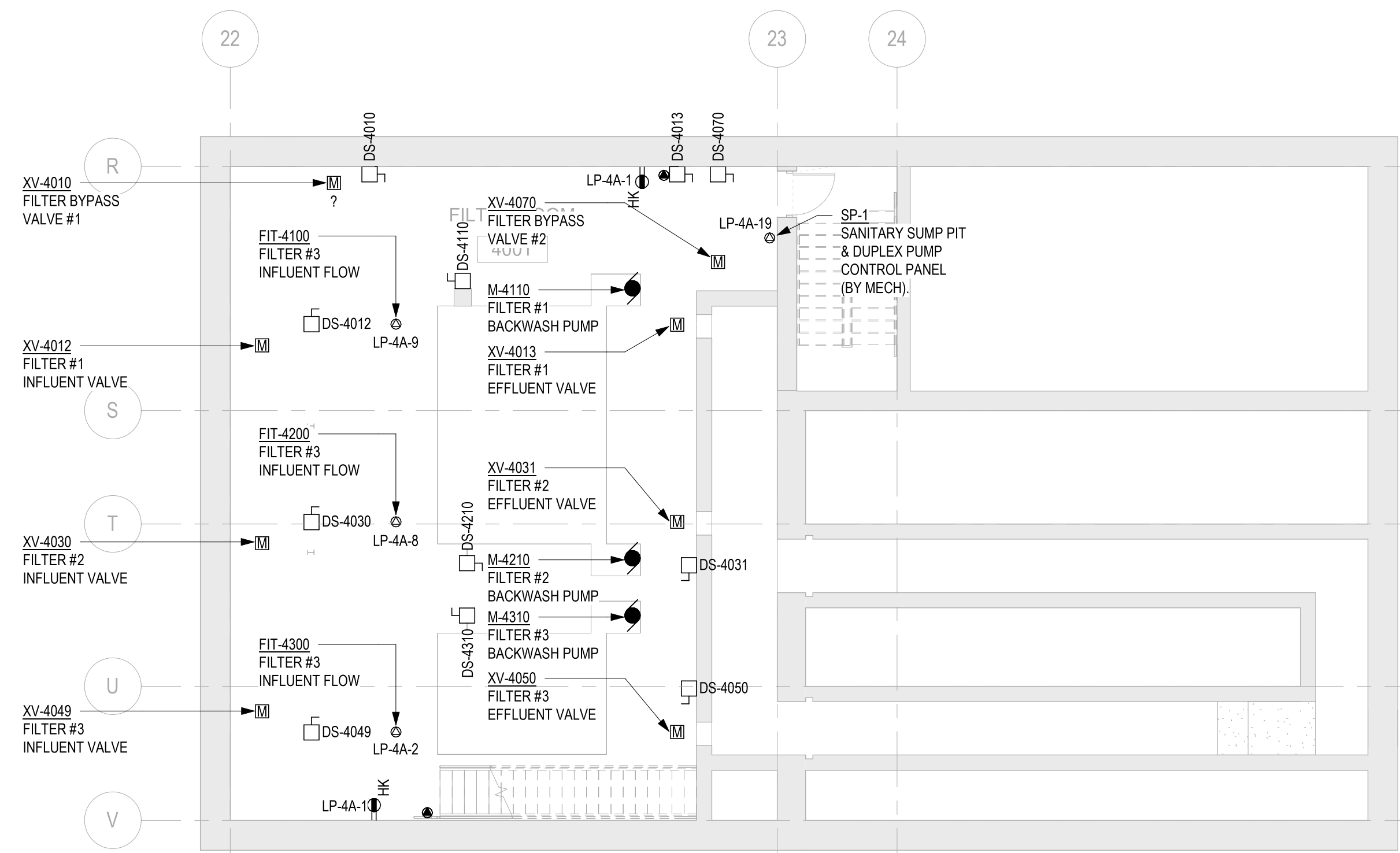
PROJECT:
NEW NAPANEE WPCP

TITLE:
TERTIARY / UV BUILDING - CABLE TRAY LAYOUT

SCALE: 1:100	JOB NO: 22001
DESIGNED BY:	DATE:
Designer 2023/06/13	
DRAWN BY:	DRAWING NO.
Author	E4101
CHECKED BY:	
Checker	



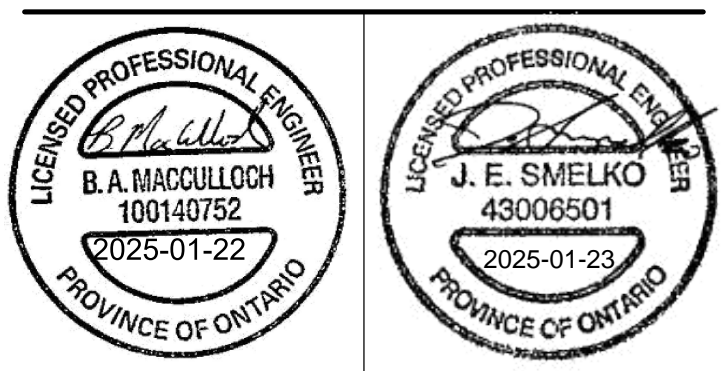
1 GROUND FLOOR - POWER LAYOUT LAYOUT
E4111 1: 100



2 BASEMENT - POWER LAYOUT
E4111 1: 100

DATE	NO.	REVISION
2025/01/23	2	ISSUED FOR TENDER
2024/08/23	1	ISSUED FOR ECA APPROVAL

THE DRAWINGS, ARRANGEMENTS, ANNOTATIONS AND GRAPHICAL PRESENTATIONS ON THIS DOCUMENT ARE THE PROPERTY OF EVB ENGINEERING WHO RETAINS OWNERSHIP AND AUTHORSHIP OF THIS DOCUMENT IN ITS ENTIRETY. THIS DOCUMENT IS AN INSTRUMENT OF SERVICE AND IS THE INTELLECTUAL AND PHYSICAL PROPERTY OF EVB ENGINEERING. AUTHORIZED USE OF THIS DRAWING IS GRANTED SOLELY FOR THE PURPOSE OF THIS SPECIFIC PROJECT AND LOCATION, AND NOT FOR CONSTRUCTION OR USE FOR ANY OTHER PROJECT. COPYRIGHT © 2024 EVB ENGINEERING.



CONSULTANT:

 800 SECOND STREET WEST
 CORNWALL, ONTARIO CANADA, K6J 1H6
 TEL: 613-535-3775 | FAX: 613-535-6450
 WEBSITE: EVBengineering.com

SUB-CONSULTANT:

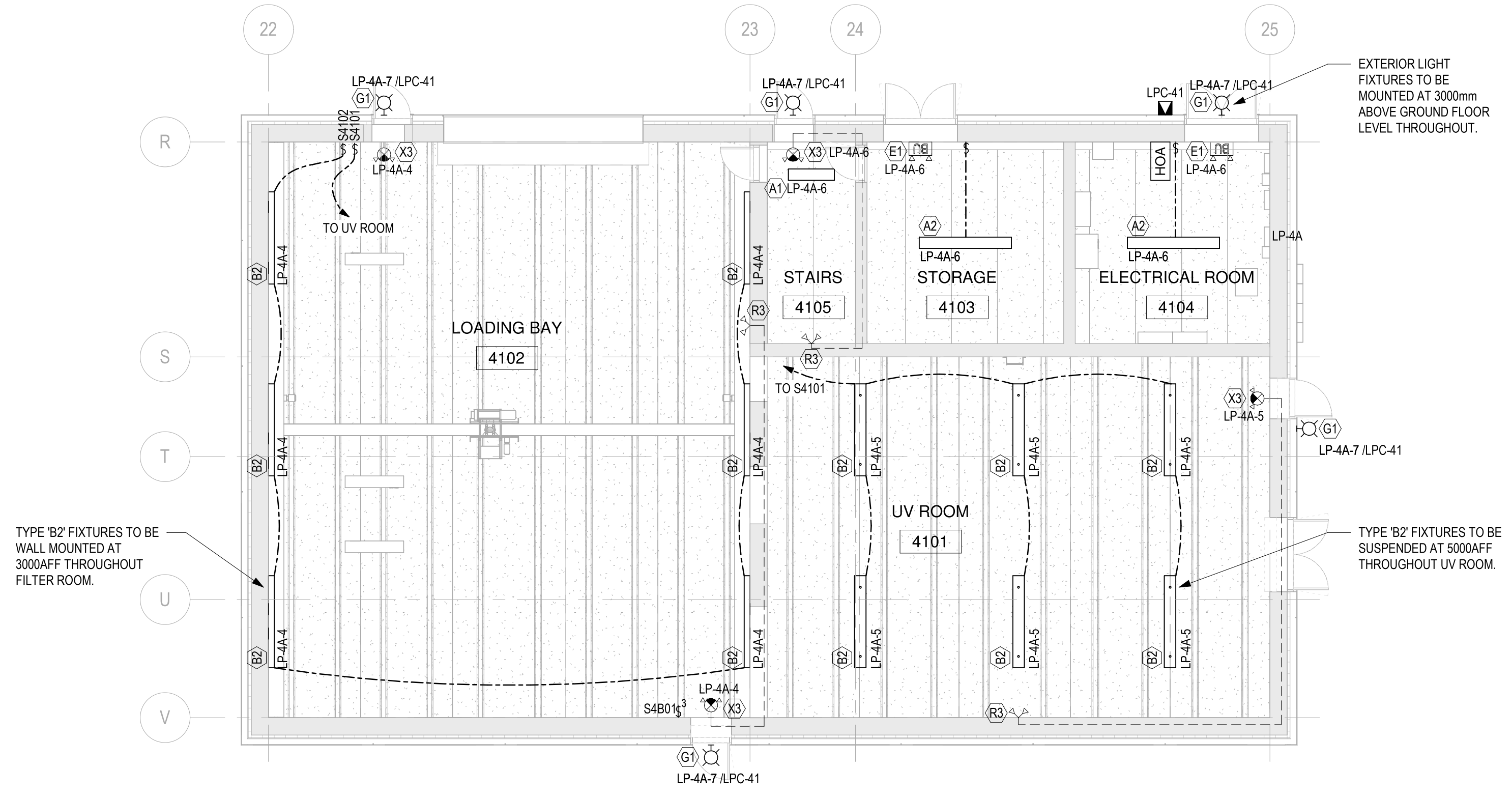
CLIENT:

PROJECT:
 NEW NAPANEE WPCP

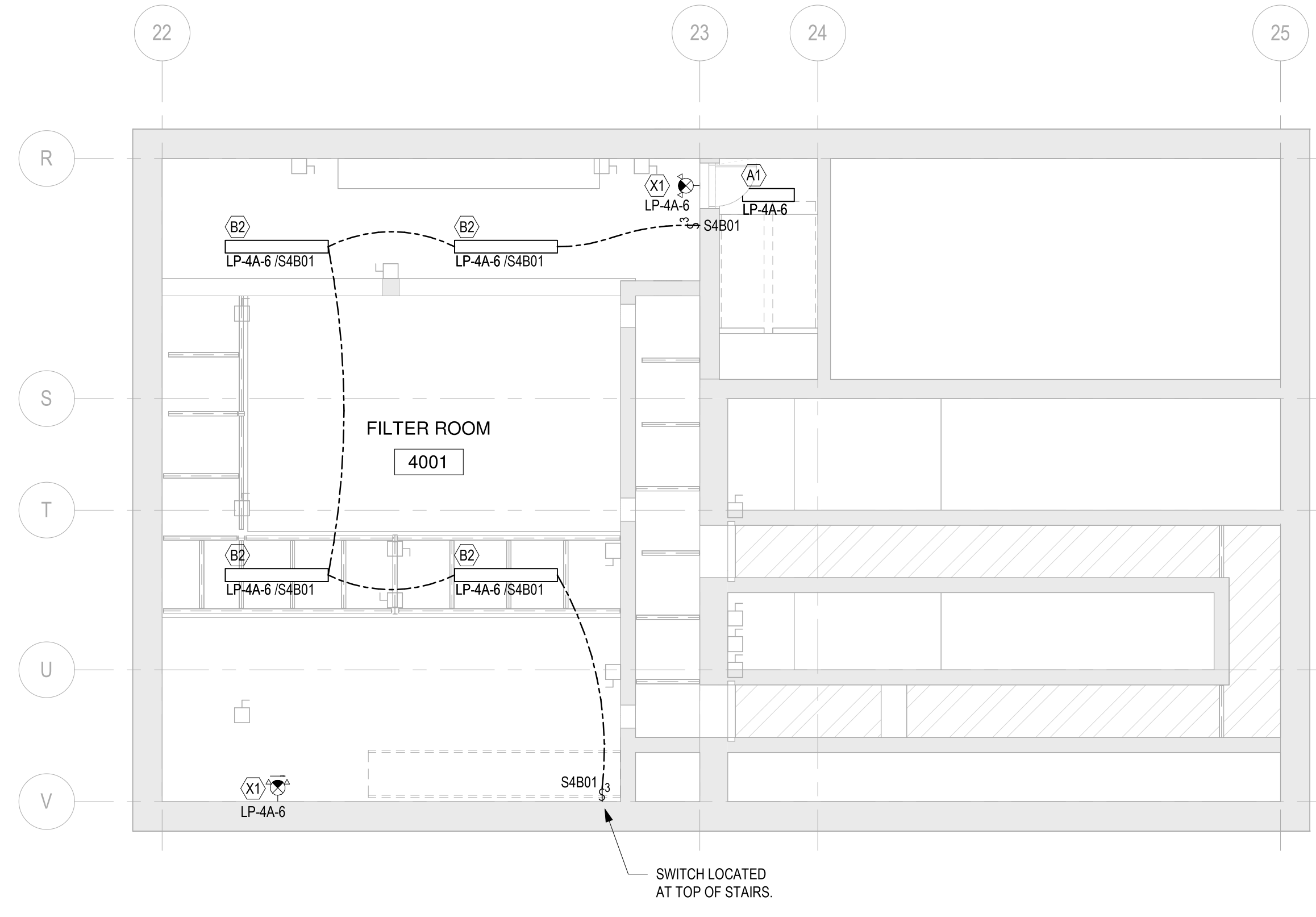
TITLE:
 TERTIARY / UV BUILDING -
 POWER LAYOUT

SCALE: 1: 100	JOB NO: 22001
DESIGNED BY:	DATE:
Designer 2023/06/13	
DRAWN BY:	DRAWING NO.
Author	
CHECKED BY:	E4111
Checker	

2025-01-22 4:43:32 PM Autodesk Docs://22001 - Napanee New WPCP/22001-WPCP-Elec-4000.rvt



2
E4121
GROUND FLOOR - LIGHTING LAYOUT
1:100



1
E4121
BASEMENT - LIGHTING LAYOUT
1:100

NOTES:
1. EXTERIOR LIGHTING FIXTURES TO BE CONTROLLED BY 120V-15A PHOTOCELL LPC-41 MOUNTED ON NORTH SIDE OF BUILDING. PROVIDE HAND/OFF/AUTO (HOA) SELECTOR SWITCH IN ADMIN ELECTRICAL ROOM (4104) FOR MANUAL OVERRIDE.

DATE	NO.	REVISION
2025/01/23	2	ISSUED FOR TENDER
2024/08/23	1	ISSUED FOR ECA APPROVAL

THE DRAWINGS, ARRANGEMENTS, ANNOTATIONS AND GRAPHICAL PRESENTATIONS ON THIS DOCUMENT ARE THE PROPERTY OF EVB ENGINEERING WHO RETAINS OWNERSHIP AND AUTHORITY OF THIS DOCUMENT IN ITS ENTIRETY. THIS DOCUMENT IS AN INSTRUMENT OF SERVICE AND IS THE INTELLECTUAL AND PHYSICAL PROPERTY OF EVB ENGINEERING. AUTHORIZED USE OF THIS DRAWING IS GRANTED SOLELY FOR THE PURPOSE OF THIS SPECIFIC PROJECT AND LOCATION, AND NOT FOR CONSTRUCTION OR USE FOR ANY OTHER PROJECT. COPYRIGHT © 2024 EVB ENGINEERING.



CONSULTANT:
EVB ENGINEERING
800 SECOND STREET WEST
CORNWALL, ONTARIO CANADA, K6J 1H6
TEL: 613-935-3775 | FAX: 613-935-6450
WEBSITE: EVBengineering.com

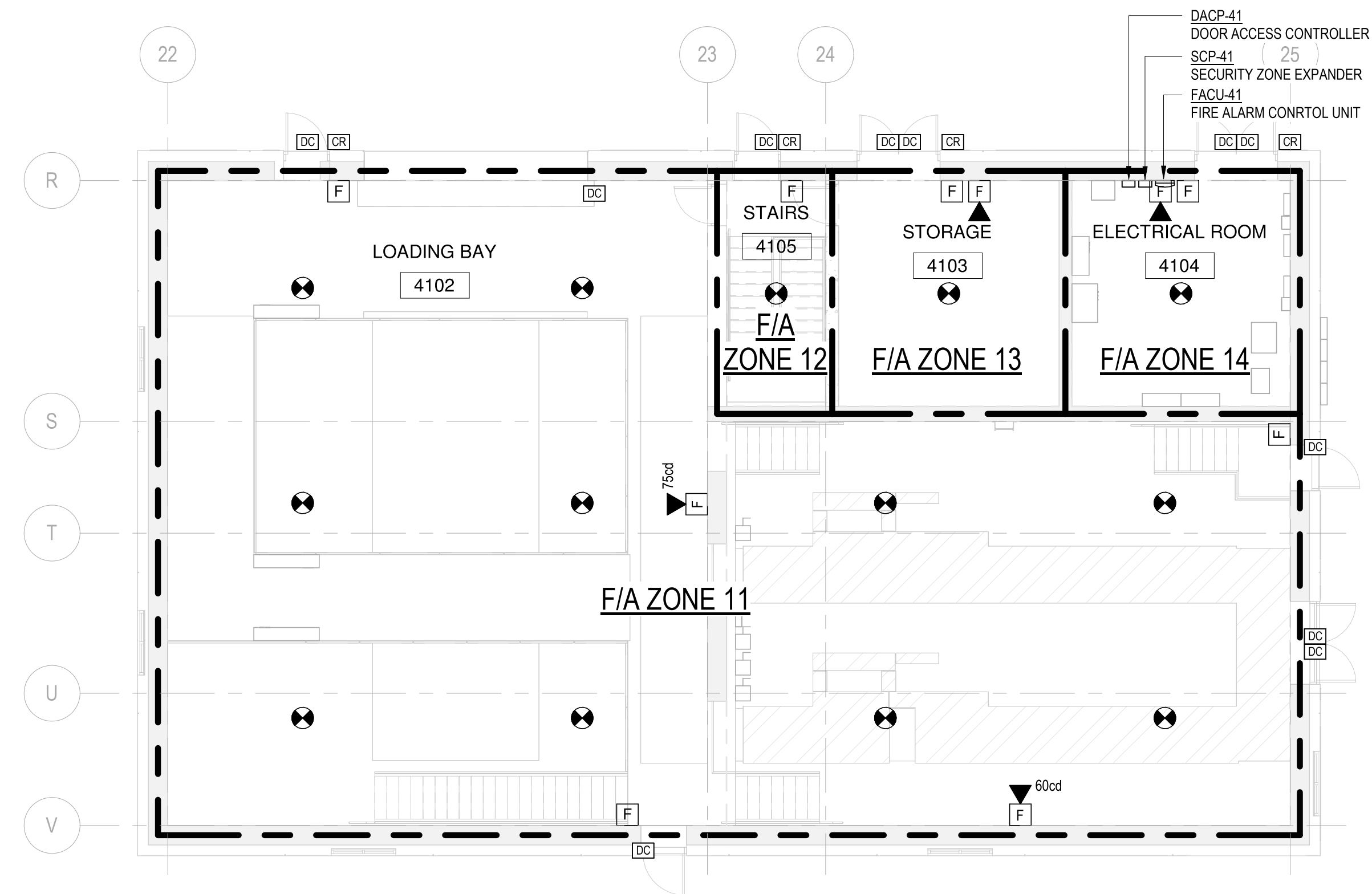
SUB-CONSULTANT:
CIMA+

CLIENT:
Greater Napanee
GREATER FOR MANY REASONS

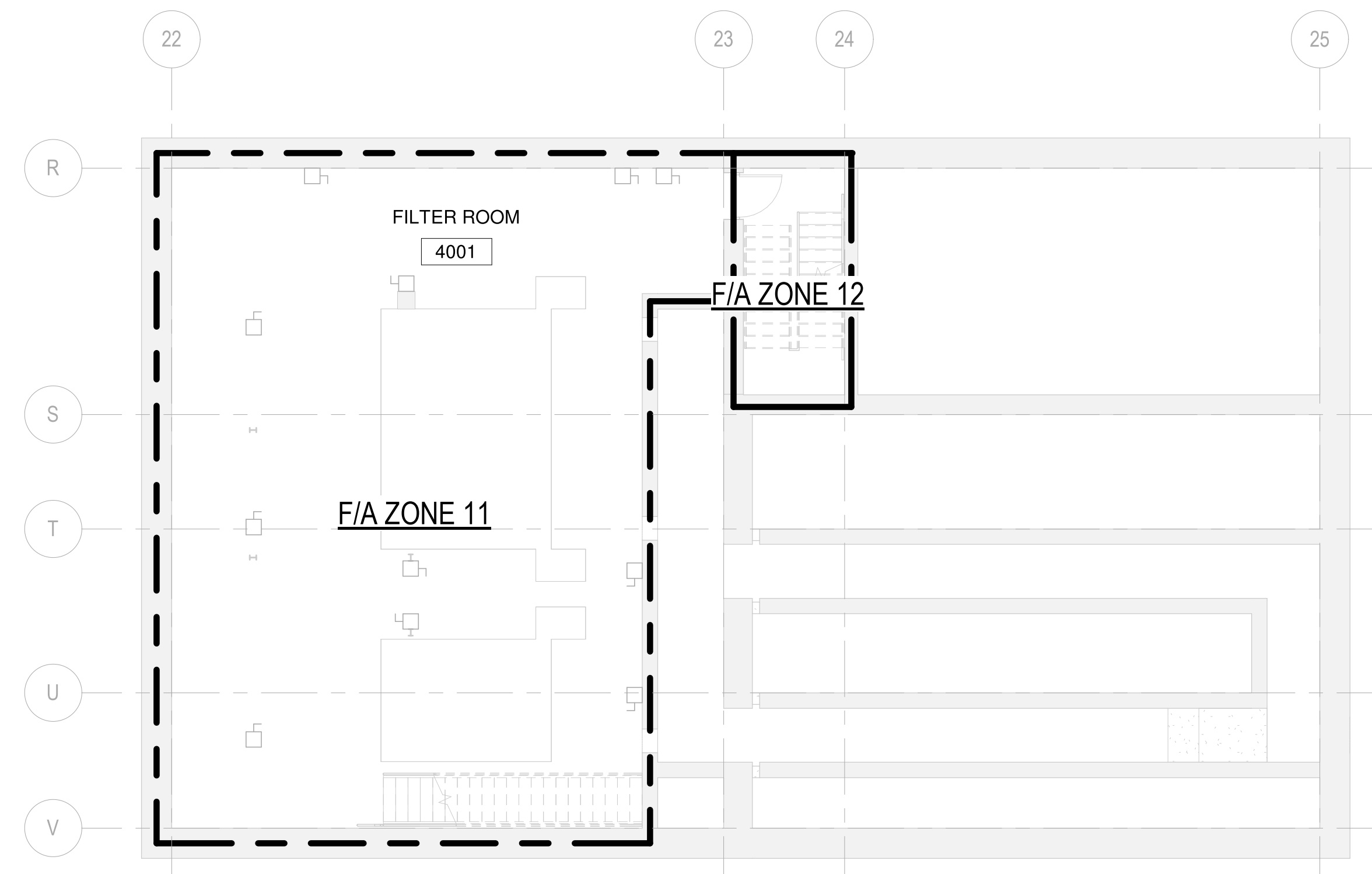
PROJECT:
NEW NAPANEE WPCP

TITLE:
TERTIARY / UV BUILDING - LIGHTING LAYOUT

SCALE: 1:100	JOB NO: 22001
DESIGNED BY:	DATE:
Designer 2023/06/13	DRAWING NO.
DRAWN BY:	
Author	E4121
CHECKED BY:	
Checker	



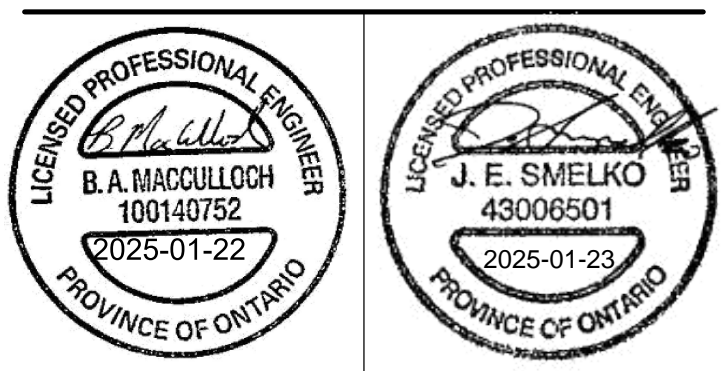
1 GROUND FLOOR - FIRE & SECURITY LAYOUT
 E4131/ 1:100



2 BASEMENT - FIRE & SECURITY LAYOUT
 E4131/ 1:100

DATE	NO.	REVISION
2025/01/23	2	ISSUED FOR TENDER
2024/08/23	1	ISSUED FOR ECA APPROVAL

THE DRAWINGS, ARRANGEMENTS, ANNOTATIONS AND GRAPHICAL PRESENTATIONS ON THIS DOCUMENT ARE THE PROPERTY OF EVB ENGINEERING WHO RETAINS OWNERSHIP AND AUTHORITY OF THIS DOCUMENT IN ITS ENTIRETY. THIS DOCUMENT IS AN INSTRUMENT OF SERVICE AND IS THE INTELLECTUAL AND PHYSICAL PROPERTY OF EVB ENGINEERING. AUTHORIZED USE OF THIS DRAWING IS GRANTED SOLELY FOR THE PURPOSE OF THIS SPECIFIC PROJECT AND LOCATION, AND NOT FOR CONSTRUCTION OR USE FOR ANY OTHER PROJECT. COPYRIGHT © 2024 EVB ENGINEERING.



CONSULTANT:
EVB ENGINEERING
 800 SECOND STREET WEST
 CORNWALL, ONTARIO CANADA, K6J 1H6
 TEL: 613-935-3775 | FAX: 613-935-6450
 WEBSITE: EVBengineering.com

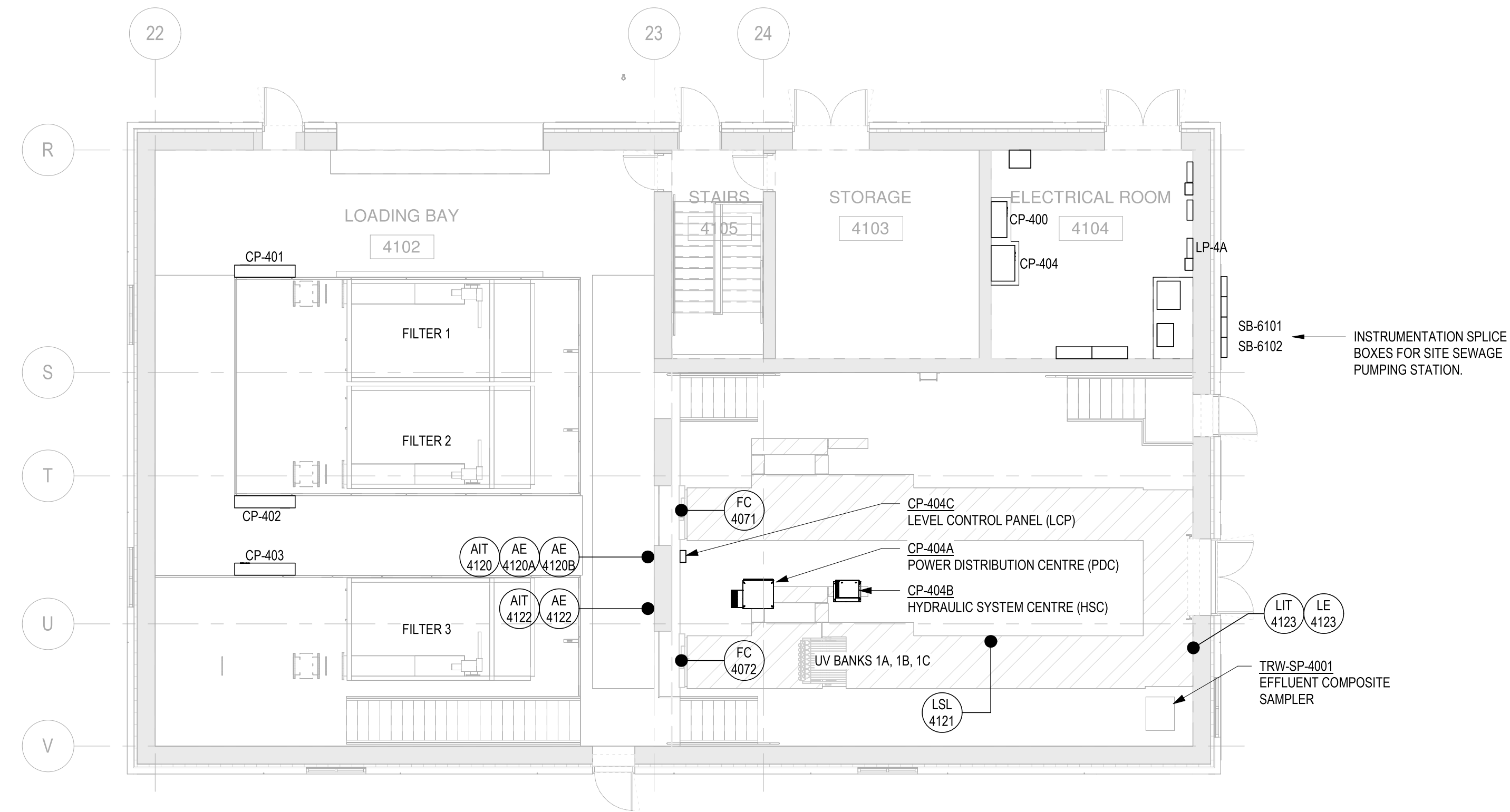
SUB-CONSULTANT:
CIMA+

CLIENT:
Greater Napanee
 GREATER FOR MANY REASONS

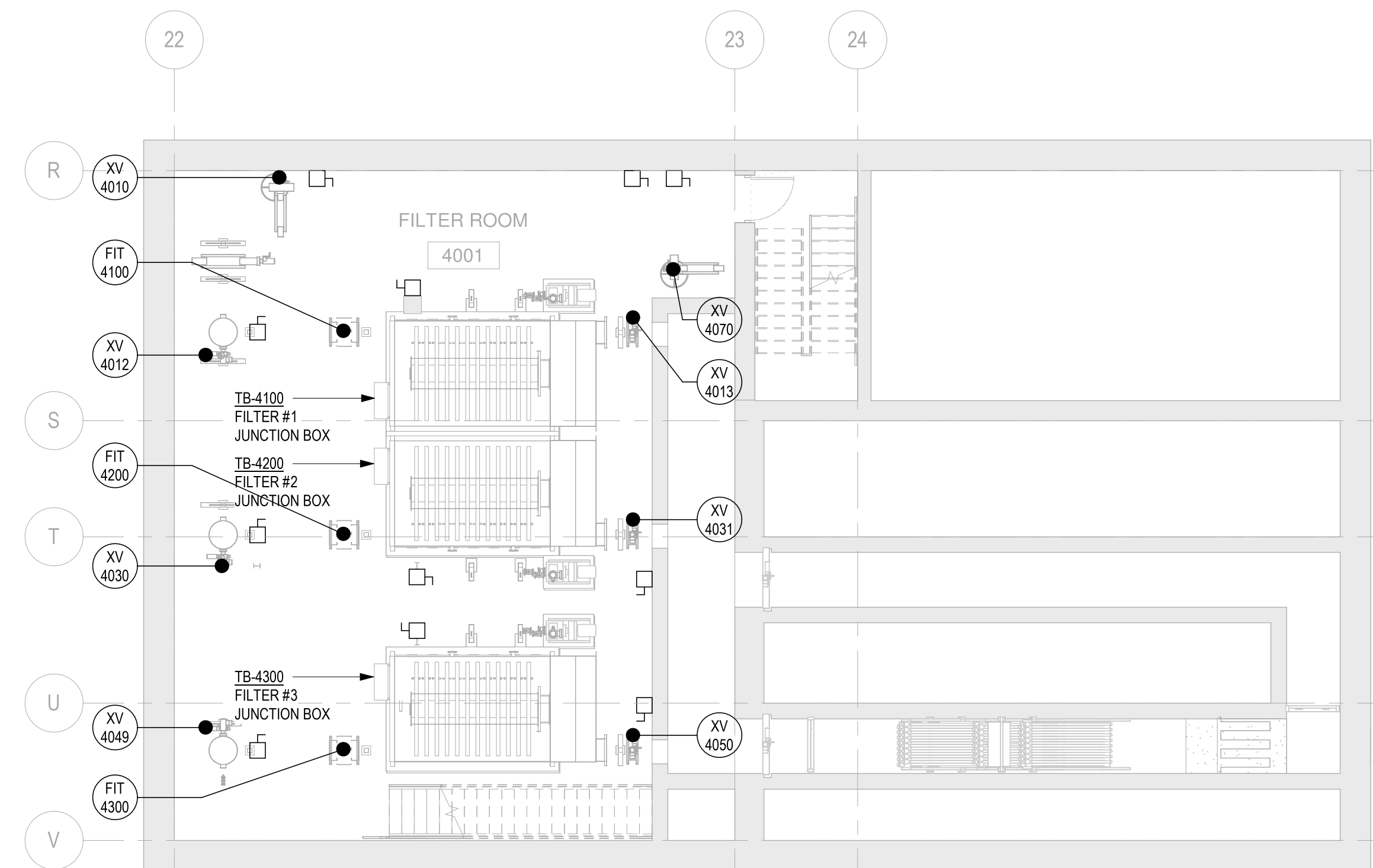
PROJECT:
NEW NAPANEE WPCP

TITLE:
TERTIARY / UV BUILDING - FIRE & SECURITY LAYOUT

SCALE: 1:100	JOB NO: 22001
DESIGNED BY:	DATE:
Designer 2023/06/13	DATE: 2023/06/13
DRAWN BY:	DRAWING NO.:
Author	E4131
CHECKED BY:	
Checker	



1 GROUND FLOOR - INSTRUMENTATION LAYOUT
E4151 1:100



2 BASEMENT - INSTRUMENTATION LAYOUT
E4151 1:100

DATE	NO.	REVISION
2025/01/23	2	ISSUED FOR TENDER
2024/08/23	1	ISSUED FOR ECA APPROVAL

THE DRAWINGS, ARRANGEMENTS, ANNOTATIONS AND GRAPHICAL PRESENTATIONS ON THIS DOCUMENT ARE THE PROPERTY OF EVB ENGINEERING WHO RETAINS OWNERSHIP AND AUTHORITY OF THIS DOCUMENT IN ITS ENTIRETY. THIS DOCUMENT IS AN INSTRUMENT OF SERVICE AND IS THE INTELLECTUAL AND PHYSICAL PROPERTY OF EVB ENGINEERING. AUTHORIZED USE OF THIS DRAWING IS GRANTED SOLELY FOR THE PURPOSE OF THIS SPECIFIC PROJECT AND LOCATION, AND NOT FOR CONSTRUCTION OR USE FOR ANY OTHER PROJECT. COPYRIGHT © 2024 EVB ENGINEERING.



CONSULTANT:

 800 SECOND STREET WEST
 CORNWALL, ONTARIO CANADA, K6J 1H6
 TEL: 613-935-3775 | FAX: 613-935-6450
 WEBSITE: EVBengineering.com

SUB-CONSULTANT:

CLIENT:

PROJECT:
 NEW NAPANEE WPCP

TITLE:
 TERTIARY / UV BUILDING -
 INSTRUMENTATION LAYOUT

SCALE: 1:100	JOB NO: 22001
DESIGNED BY:	DATE:
Designer 2023/06/13	
DRAWN BY:	DRAWING NO.
Author	E4151
CHECKED BY:	
Checker	

FILTER ROOM - GROUND FLOOR

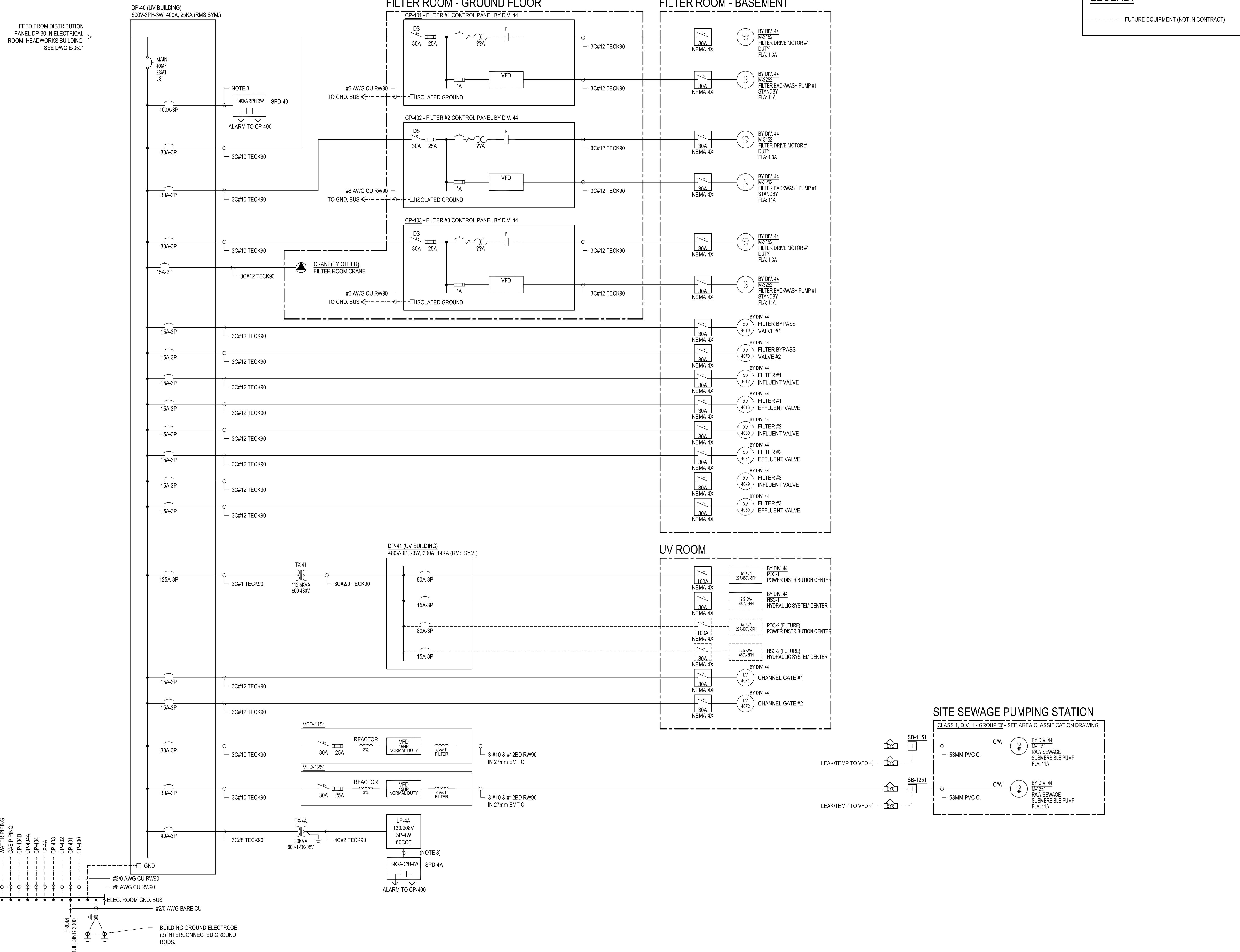
FILTER ROOM - BASEMENT

LEGEND:

----- FUTURE EQUIPMENT (NOT IN CONTRACT)

NOTES:

1. SURGE PROTECTIVE DEVICE TO BE CLOSE COUPLED TO PANEL BOARD WITH SUPPLY LEADS AS SHORT AS PRACTICABLE.
2. PROVIDE MINIMUM 1 CABLE DIAMETER CLEARANCE FROM ADJACENT CABLES WITHIN CABLE TRAY.



DATE	No.	REVISION
2025/01/23	2	ISSUED FOR TENDER
2024/08/23	1	ISSUED FOR ECA APPROVAL

THE DRAWINGS, ARRANGEMENTS, ANNOTATIONS AND GRAPHICAL PRESENTATIONS ON THIS DOCUMENT ARE THE PROPERTY OF EVB ENGINEERING WHO RETAINS OWNERSHIP AND AUTHORITY OF THIS DOCUMENT IN ITS ENTIRETY. THIS DOCUMENT IS AN INSTRUMENT OF SERVICE AND IS THE INTELLECTUAL AND PHYSICAL PROPERTY OF EVB ENGINEERING. AUTHORIZED USE OF THIS DRAWING IS GRANTED SOLELY FOR THE PURPOSE OF THIS SPECIFIC PROJECT AND LOCATION, AND NOT FOR CONSTRUCTION OR USE FOR ANY OTHER PROJECT. COPYRIGHT © 2024 EVB ENGINEERING.

LICENSED PROFESSIONAL ENGINEER
B.A. MACCULLOUGH
100140752
2025-01-22
PROVINCE OF ONTARIO

LICENSED PROFESSIONAL ENGINEER
J. E. SMELKO
43006501
2025-01-23
PROVINCE OF ONTARIO

CONSULTANT:

 800 SECOND STREET WEST
 CORNWALL, ONTARIO CANADA, K6J 1H6
 TEL: 613-935-3775 | FAX: 613-935-6450
 WEBSITE: EVBengineering.com

SUB-CONSULTANT:

CLIENT:

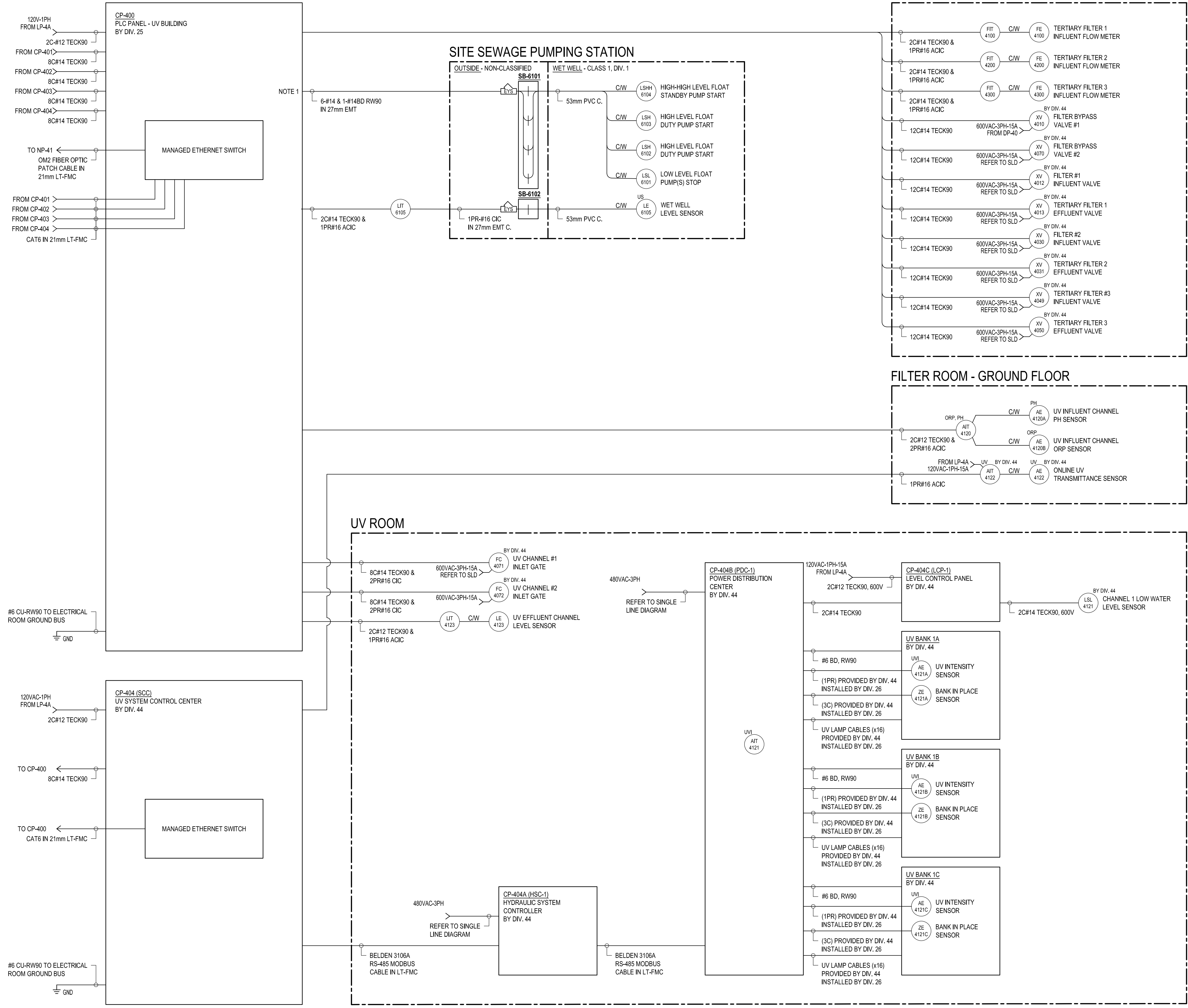
 Greater Napanee
 DELIVERING BETTER RESULTS

PROJECT:
NEW NAPANEE WPCP

TITLE:
**BUILDING 4000
 UV / TERTIARY BUILDING
 SINGLE LINE DIAGRAM**

SCALE: N.T.S.	JOB NO: 22001
DESIGNED BY: J.S.	DATE: 2025/01/23
DRAWN BY: B.M.	DRAWING NO.:
CHECKED BY: J.S.	E4501

M:\2025\22001 - Napanee WPCP Upgrade\E4501 - WPCP\Single Line Diagram.dwg - J.S.D. 2025-01-23 10:00 AM (P:\m\m\m\m\m)

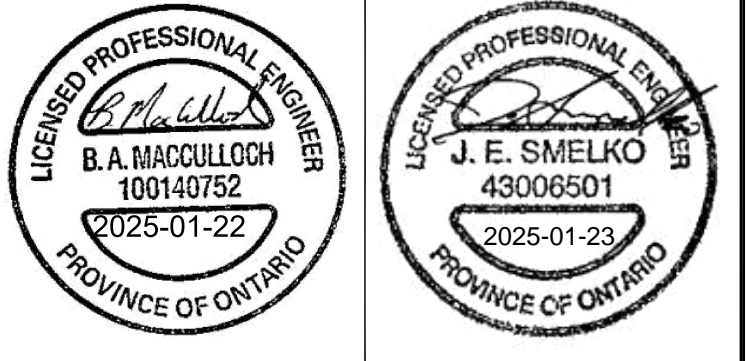


NOTES:

- INTRINSICALLY SAFE RELAYS REQUIRED FOR FLOAT SWITCHES.

DATE	No.	REVISION
2025/01/23	2	ISSUED FOR TENDER
2024/08/23	1	ISSUED FOR ECA APPROVAL

THE DRAWINGS, ARRANGEMENTS, ANNOTATIONS AND GRAPHICAL PRESENTATIONS ON THIS DOCUMENT ARE THE PROPERTY OF EVB ENGINEERING WHO RETAINS OWNERSHIP AND AUTHORITY OF THIS DOCUMENT IN ITS ENTIRETY. THIS DOCUMENT IS AN INSTRUMENT OF SERVICE AND IS THE INTELLECTUAL AND PHYSICAL PROPERTY OF EVB ENGINEERING. AUTHORIZED USE OF THIS DRAWING IS GRANTED SOLELY FOR THE PURPOSE OF THIS SPECIFIC PROJECT AND LOCATION, AND NOT FOR CONSTRUCTION OR USE FOR ANY OTHER PROJECT.
 COPYRIGHT © 2024 EVB ENGINEERING.



CONSULTANT:
EVB ENGINEERING
 800 SECOND STREET WEST
 CORNWALL, ONTARIO CANADA, K6J 1H6
 TEL: 613-935-3775 | FAX: 613-935-6450
 WEBSITE: evbengineering.com



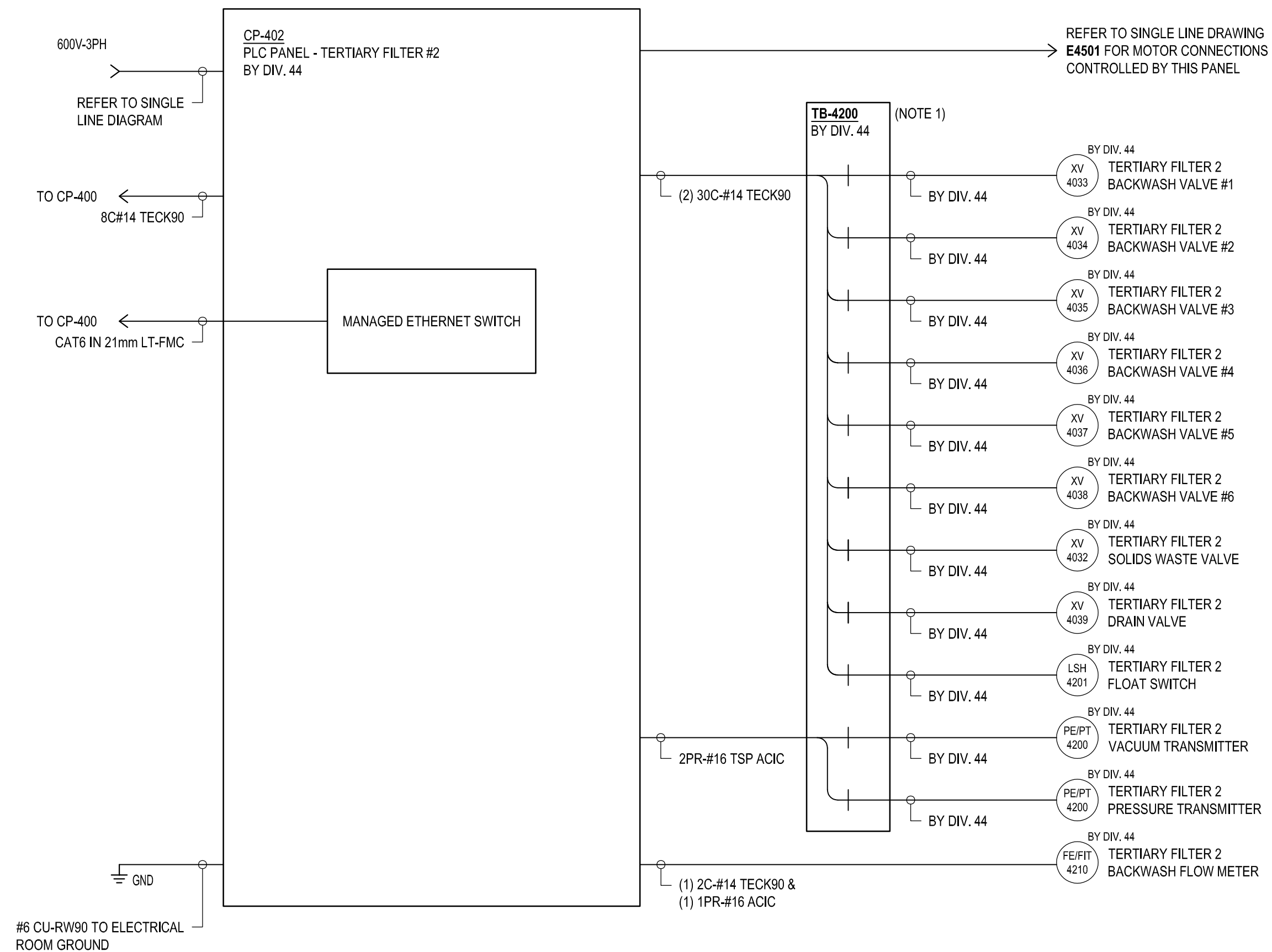
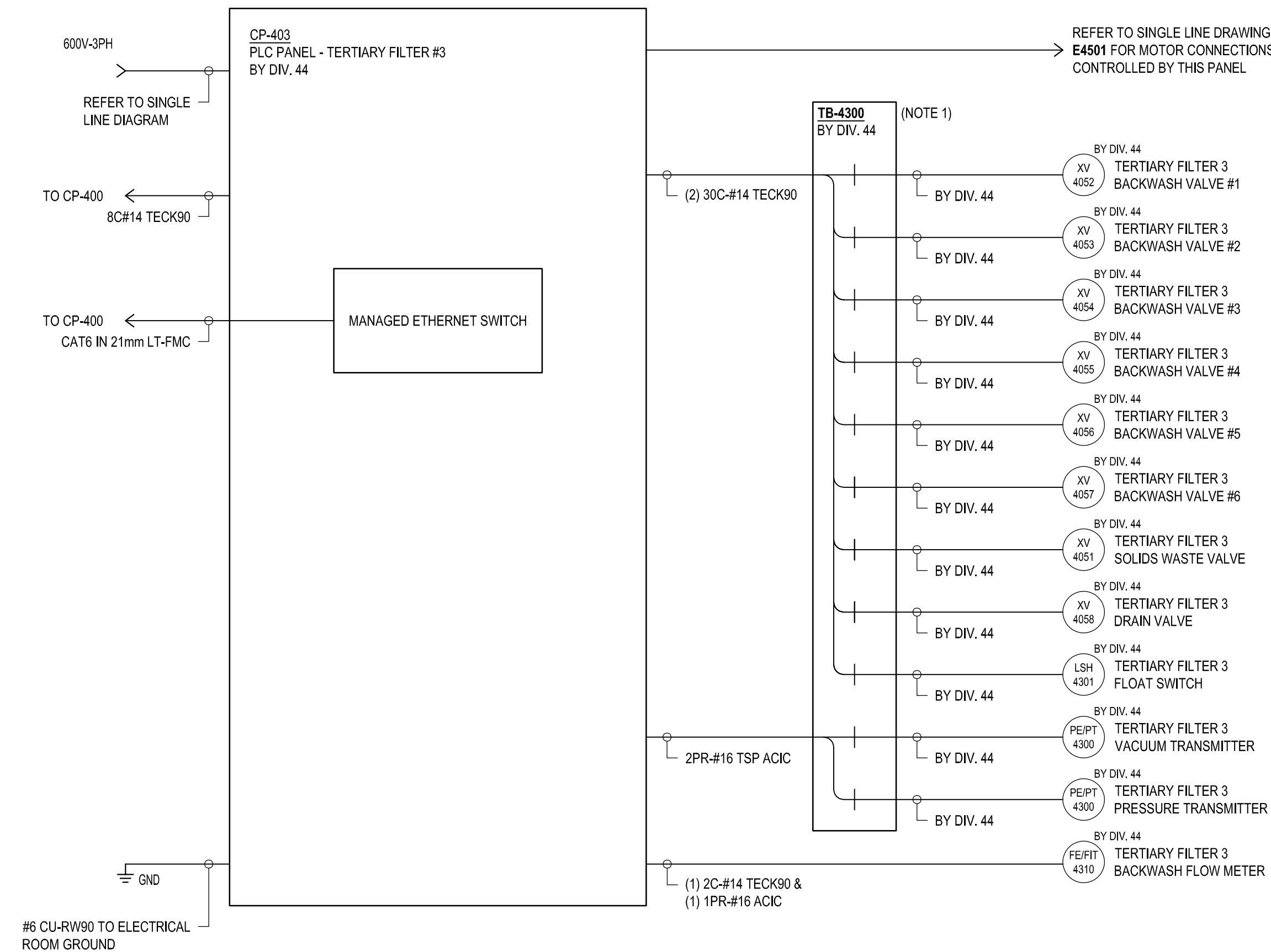
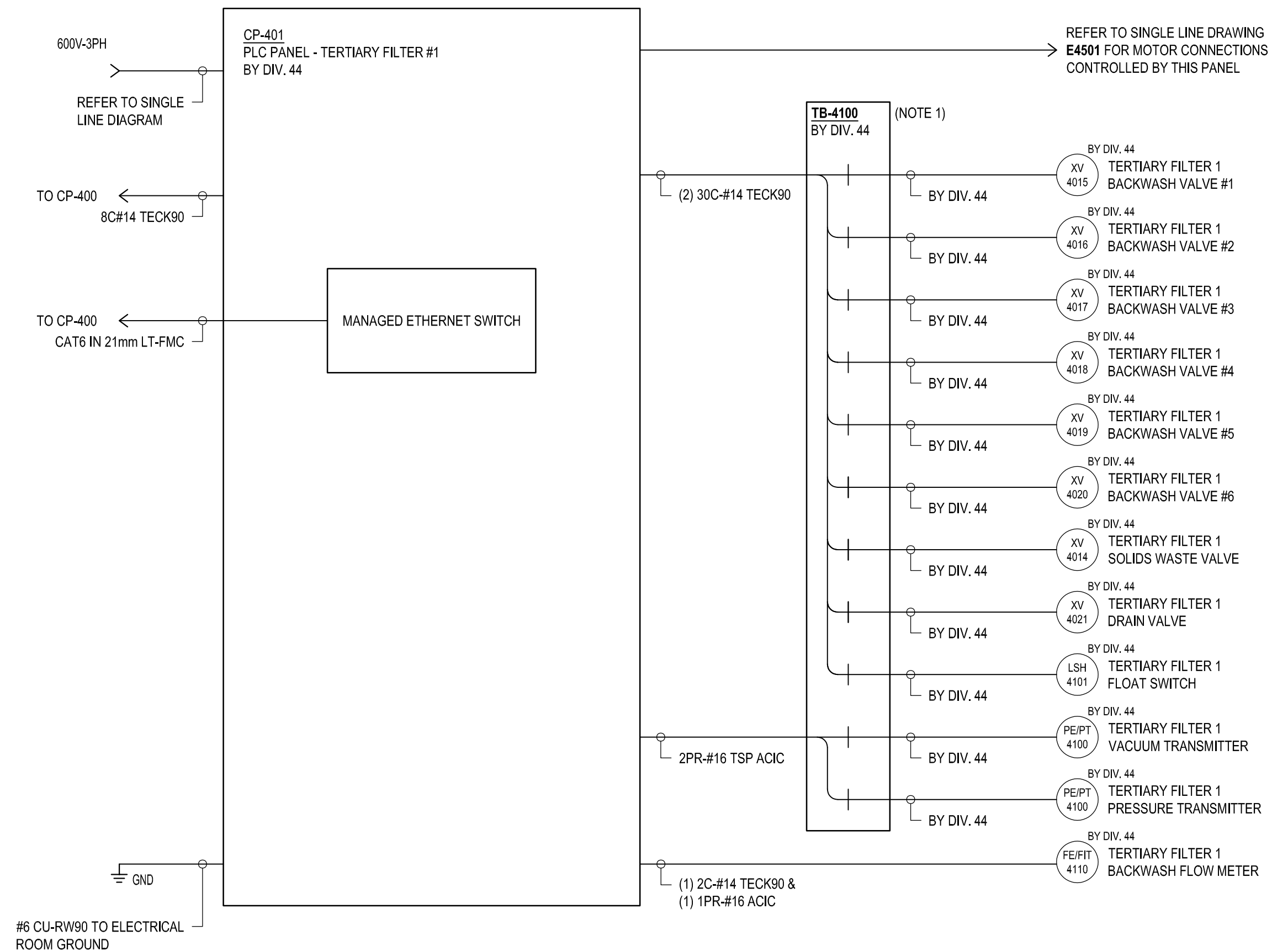
CLIENT:
Greater Napanee
 DELIVERING FOR MANY REASONS

PROJECT:
NEW NAPANEE WPCP

TITLE:
CP-400 & CP-404 WIRING DIAGRAM

SCALE: N.T.S.	JOB NO: 22001
DESIGNED BY: B.M.	DATE: 2025/01/23
DRAWN BY: B.M.	DRAWING NO.
CHECKED BY: J.S.	E4551

M:\2025\22001 - Napanee WPCP Upgrade\EID Drawings - WPCP\PLC Electrical\22001 E4551 - CP Wiring.dwg - CP Wiring.dwg - 2025-01-22 2:02:44 PM by (j.mad.mosakobch)



E4552

NOTES:

- INSTRUMENTATION SHALL BE FACTORY WIRED TO A TERMINAL BOX MOUNTED ON EACH FILTER.

DATE	No.	REVISION
2025/01/23	2	ISSUED FOR TENDER
2024/08/23	1	ISSUED FOR ECA APPROVAL

THE DRAWINGS, ARRANGEMENTS, ANNOTATIONS AND GRAPHICAL PRESENTATIONS ON THIS DOCUMENT ARE THE PROPERTY OF EVB ENGINEERING WHO RETAINS OWNERSHIP AND AUTHORITY OF THIS DOCUMENT IN ITS ENTIRETY. THIS DOCUMENT IS AN INSTRUMENT OF SERVICE AND IS THE INTELLECTUAL AND PHYSICAL PROPERTY OF EVB ENGINEERING. AUTHORIZED USE OF THIS DRAWING IS GRANTED SOLELY FOR THE PURPOSE OF THIS SPECIFIC PROJECT AND LOCATION, AND NOT FOR CONSTRUCTION OR USE FOR ANY OTHER PROJECT.
COPYRIGHT © 2024 EVB ENGINEERING



CONSULTANT:
EVB ENGINEERING
 800 SECOND STREET WEST
 CORNWALL, ONTARIO CANADA, K6J 1H6
 TEL: 613-935-3775 | FAX: 613-935-6450
 WEBSITE: EVBengineering.com

SUB-CONSULTANT:

CLIENT:
Greater Napanee
 GREATER FOR MANY REASONS


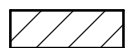
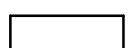
PROJECT:
NEW NAPANEE WPCP

TITLE:
**CP-401, CP-402 & CP-403
 WIRING DIAGRAM**

SCALE: N.T.S.	JOB NO: 22001
DESIGNED BY: B.M.	DATE: 2025/01/23
DRAWN BY: B.M.	DRAWING NO.
CHECKED BY: J.S.	E4552

M:2025/01/23 - Napanee WPCP - Upgrade/EU Draw - WPCP/EU/Elec/22001/E4552 - CP Wiring Diag - Jm 22, 2025-4:47pm (P:\mud\mud\kch)

LEGEND:

-  CLASS 1, DIV. 1, GROUP 'D'
-  CLASS 1, DIV. 2, GROUP 'D'
-  NON-CLASSIFIED WITH CONTINUOUS MECHANICAL VENTILATION.

GENERAL NOTES:

1. TRAY ELEVATIONS NOTED ABOVE FINISHED FLOOR (AFF) ARE TO THE UNDERSIDE OF CABLE TRAY. ELEVATIONS NOTED FROM BELOW CEILING (BC) ARE TO THE TOP OF CABLE TRAY.
2. ALL TRAY AND CABLE/CONDUIT THROUGH WALLS/FLOORS ARE TO BE COORDINATED WITH ARCHITECTURAL, MECHANICAL AND PROCESS TRADES.
3. REFER TO CABLE TRAY SPECIFICATION AND TYPICAL DETAILS FOR FURTHER DETAILS.

WIRING METHODS:

1. REFER TO ELECTRICAL SPECIFICATIONS AND SINGLE LINE DIAGRAMS FOR SPECIFIC CABLE, CONDUIT AND WIRING TYPES.
2. **HAZARDOUS LOCATIONS:**
 ARMoured POWER (TECK90) AND INSTRUMENTATION (ACIC) CABLE INSTALLED IN CABLE TRAY OR GALVANIZED RIGID STEEL CONDUIT ON UNISTRUT SUPPORTS C/W FITTINGS RATED FOR AREA.

 WHERE CONDUIT IS USED, PROVIDE HEAVY-DUTY LIQUID TIGHT FLEXIBLE METALLIC CONDUIT LEADS FOR FINAL CONNECTIONS TO ALL VIBRATING EQUIPMENT.

DATE	NO.	REVISION
2025/01/23	2	ISSUED FOR TENDER
2024/08/23	1	ISSUED FOR ECA APPROVAL

THE DRAWINGS, ARRANGEMENTS, ANNOTATIONS AND GRAPHICAL PRESENTATIONS ON THIS DOCUMENT ARE THE PROPERTY OF EVB ENGINEERING WHO RETAINS OWNERSHIP AND AUTHORITY OF THIS DOCUMENT IN ITS ENTIRETY. THIS DOCUMENT IS AN INSTRUMENT OF SERVICE AND IS THE INTELLECTUAL AND PHYSICAL PROPERTY OF EVB ENGINEERING. AUTHORIZED USE OF THIS DRAWING IS GRANTED SOLELY FOR THE PURPOSE OF THIS SPECIFIC PROJECT AND LOCATION, AND NOT FOR CONSTRUCTION OR USE FOR ANY OTHER PROJECT. COPYRIGHT © 2024 EVB ENGINEERING.



CONSULTANT:
 800 SECOND STREET WEST
 CORNWALL, ONTARIO CANADA, K6J 1H6
 TEL: 613-935-3775 | FAX: 613-935-6450
 WEBSITE: EVBEngineering.com

SUB-CONSULTANT:

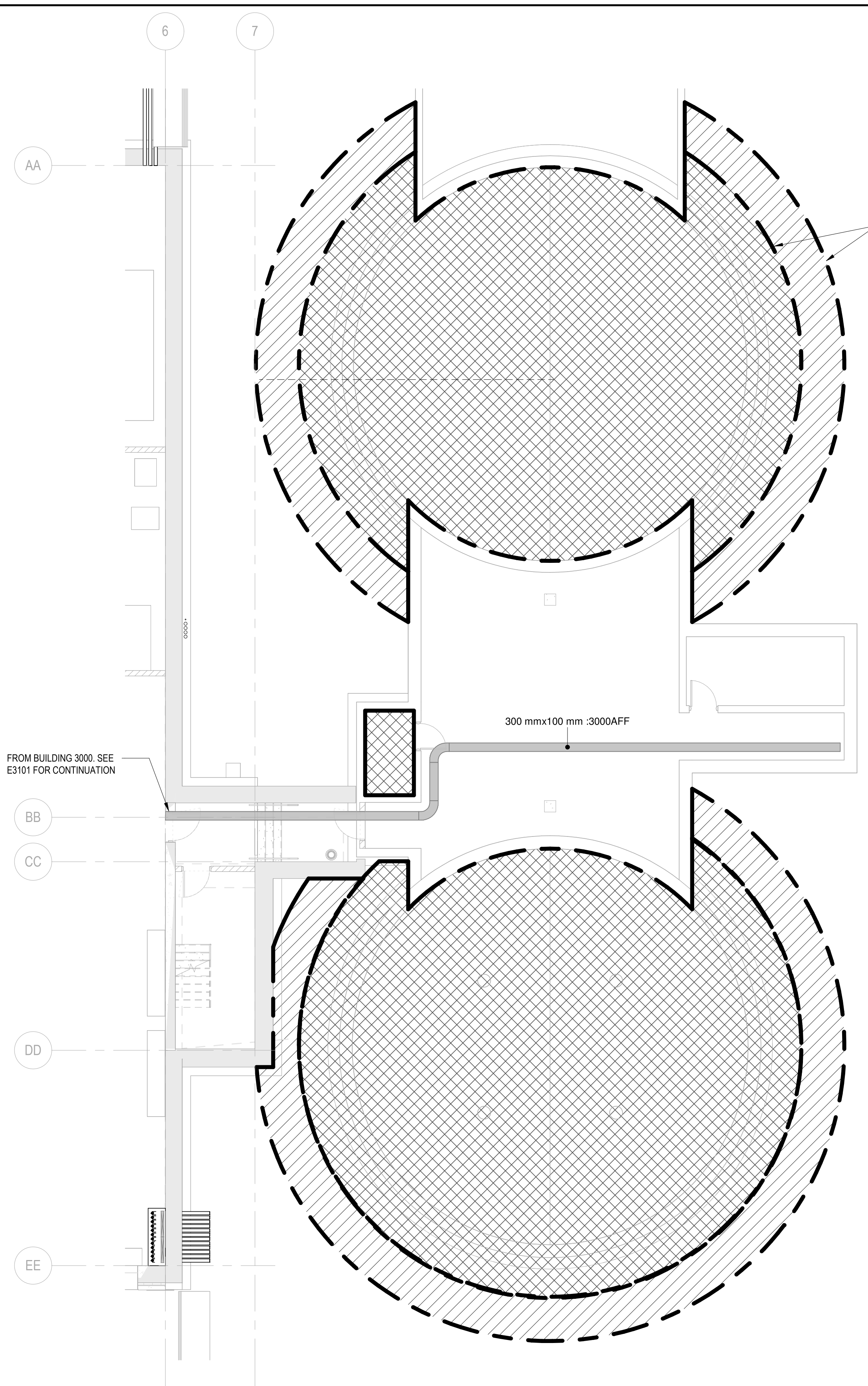

CLIENT:

 GREATER FOR BARRY REGION

PROJECT:
NEW NAPANEE WPCP

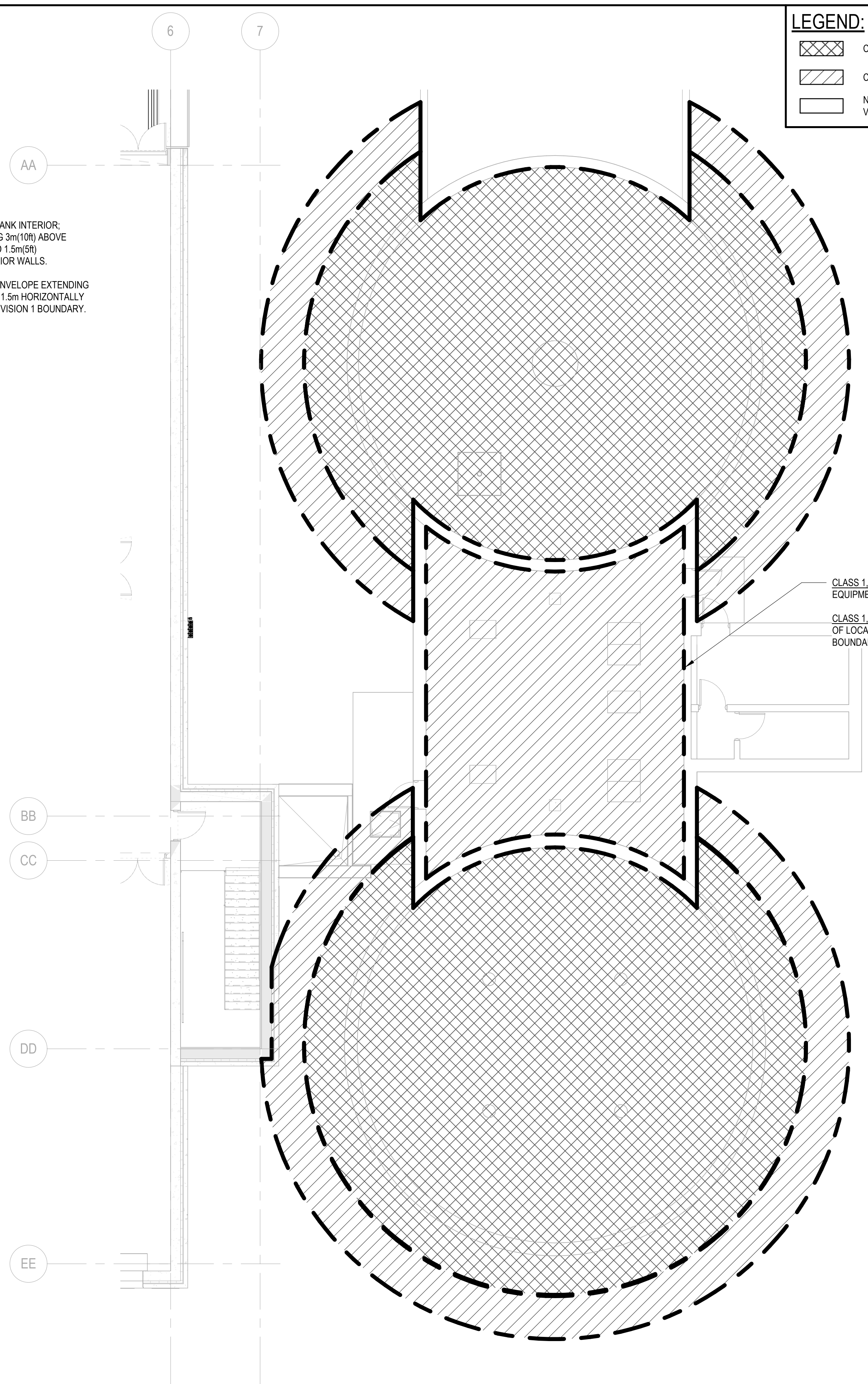
TITLE:
DIGESTERS - AREA CLASSIFICATION DRAWING

SCALE: As Indicated	JOB NO: 22001
DESIGNED BY: B.A.M.	DATE: 2023/06/13
DRAWN BY: B.A.M.	DRAWING NO. E5101
CHECKED BY: J.E.S.	



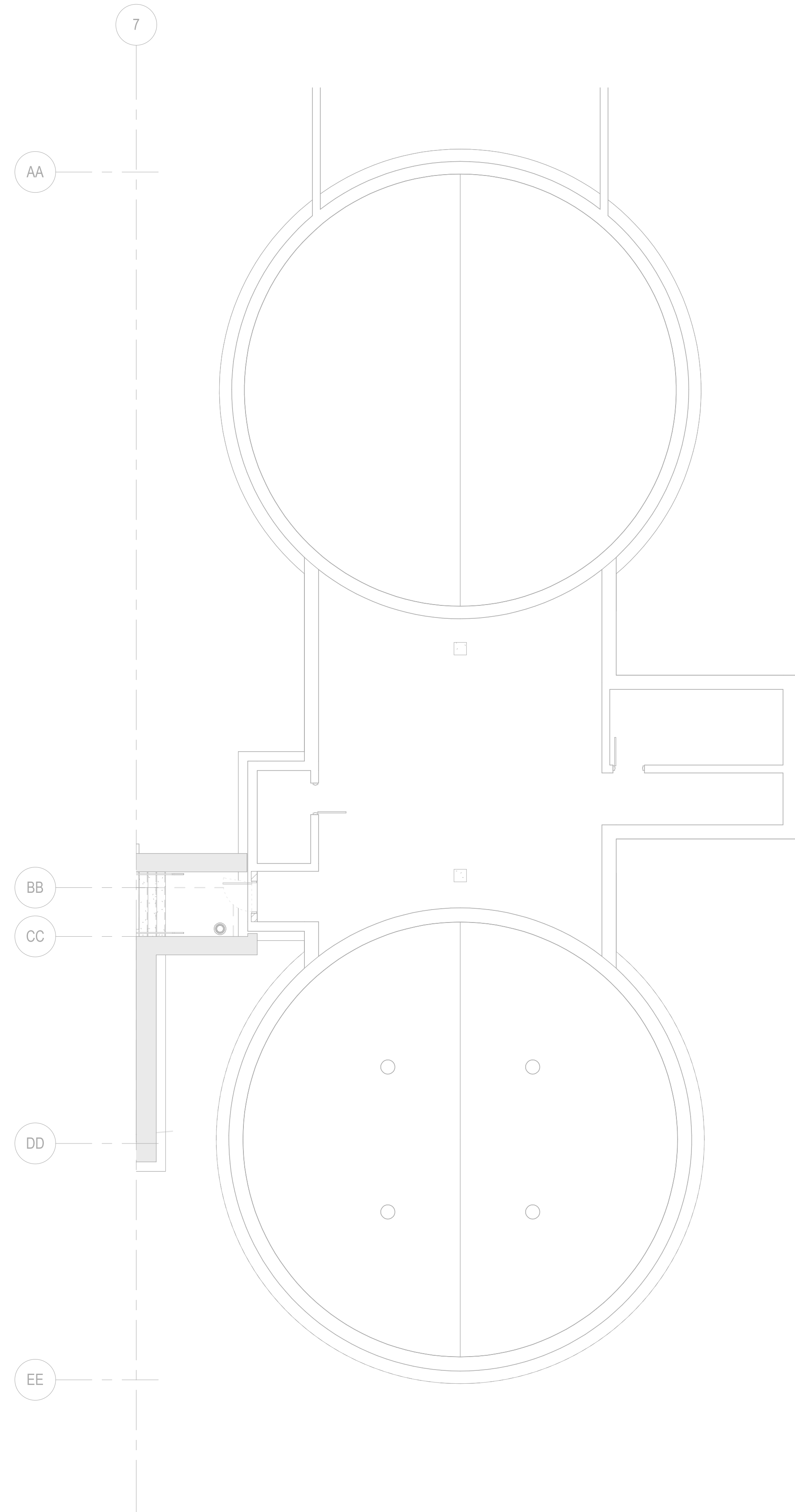
1
 E5101
 FIRST FLOOR PLAN
 1:100

CLASS 1, DIVISION 1: TANK INTERIOR ENVELOPE EXTENDING 3m(10ft) ABOVE DIGESTER COVER AND 1.5m(5ft) SURROUNDING EXTERIOR WALLS.
 CLASS 1, DIVISION 2: ENVELOPE EXTENDING 4.6m (15ft) ABOVE AND 1.5m HORIZONTALLY FROM THE CLASS 1, DIVISION 1 BOUNDARY.

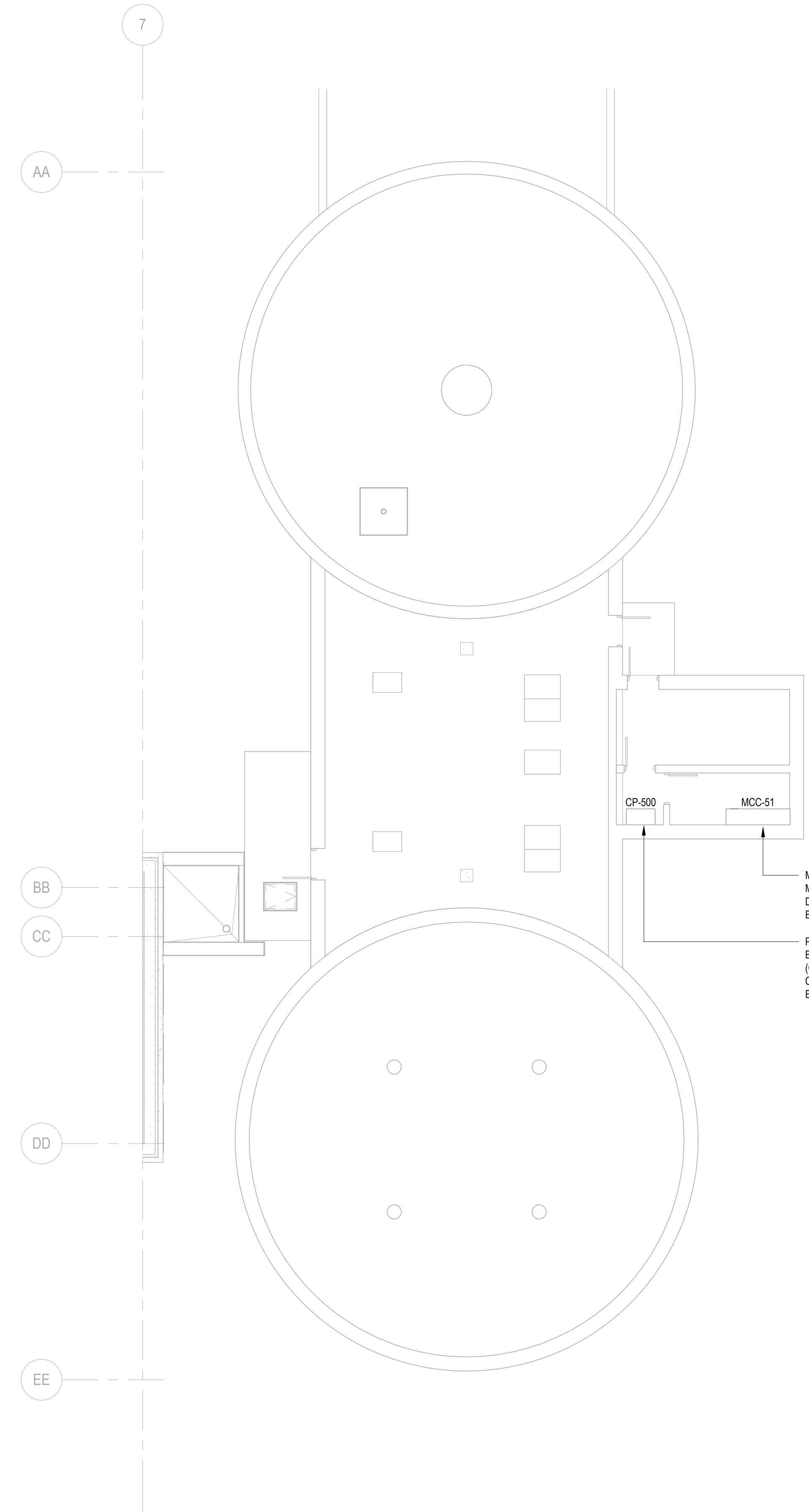


2
 E5101
 SECOND FLOOR PLAN
 1:100

CLASS 1, DIVISION 1: WITHIN 1.5m OF EQUIPMENT.
 CLASS 1, DIVISION 2: ENTIRE ROOM OUTSIDE OF LOCALIZED CLASS 1, DIVISION 1 BOUNDARY AROUND EQUIPMENT.



1
ES111
FIRST FLOOR PLAN
1:100



2
ES111
SECOND FLOOR PLAN
1:100

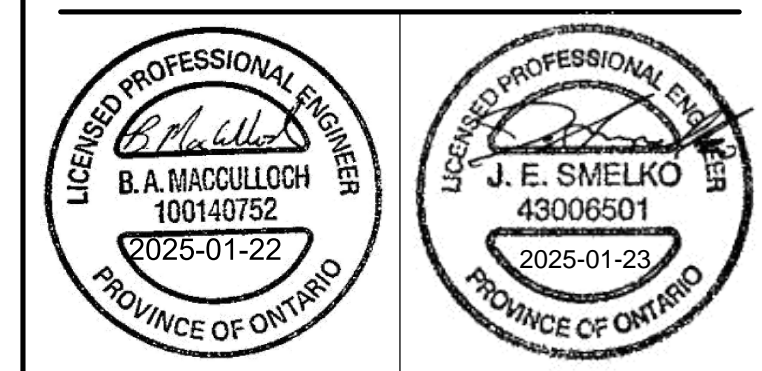
CP-500 MCC-51

MCC-51 (EXISTING, FORMERLY MCC-4) TO BE RESUPPLIED FROM DP-30 IN OPERATIONS BUILDING ELECTRICAL ROOM.

PROVIDE NEW NETWORK CONNECTION BETWEEN EXISTING CONTROL PANEL (CP-500) AND NEW CONTROL PANEL CP-300 IN OPERATIONS BUILDING ELECTRICAL ROOM.

DATE	NO.	REVISION
2025/01/23	2	ISSUED FOR TENDER
2024/08/23	1	ISSUED FOR ECA APPROVAL

THE DRAWINGS, ARRANGEMENTS, ANNOTATIONS AND GRAPHICAL PRESENTATIONS ON THIS DOCUMENT ARE THE PROPERTY OF EVB ENGINEERING WHO RETAINS OWNERSHIP AND AUTHORITY OF THIS DOCUMENT IN ITS ENTIRETY. THIS DOCUMENT IS AN INSTRUMENT OF SERVICE AND IS THE INTELLECTUAL AND PHYSICAL PROPERTY OF EVB ENGINEERING. AUTHORIZED USE OF THIS DRAWING IS GRANTED SOLELY FOR THE PURPOSE OF THIS SPECIFIC PROJECT AND LOCATION, AND NOT FOR CONSTRUCTION OR USE FOR ANY OTHER PROJECT. COPYRIGHT © 2024 EVB ENGINEERING.



CONSULTANT:
 800 SECOND STREET WEST
 CORNWALL, ONTARIO CANADA, K6J 1H6
 TEL: 613-835-3775 | FAX: 613-835-6450
 WEBSITE: EVBengineering.com

SUB-CONSULTANT:

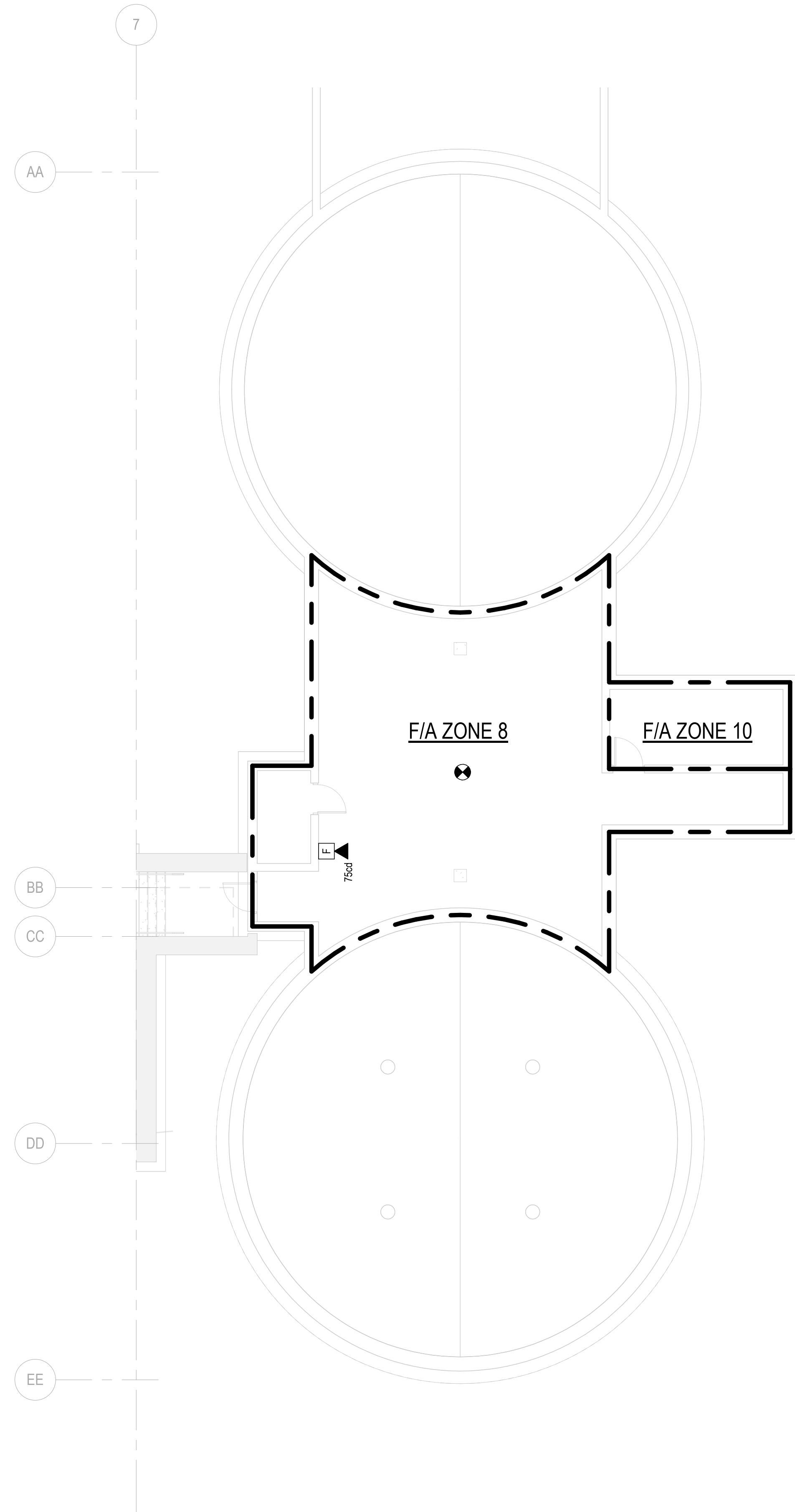

CLIENT:

 GREATER FOR BERRY REGION

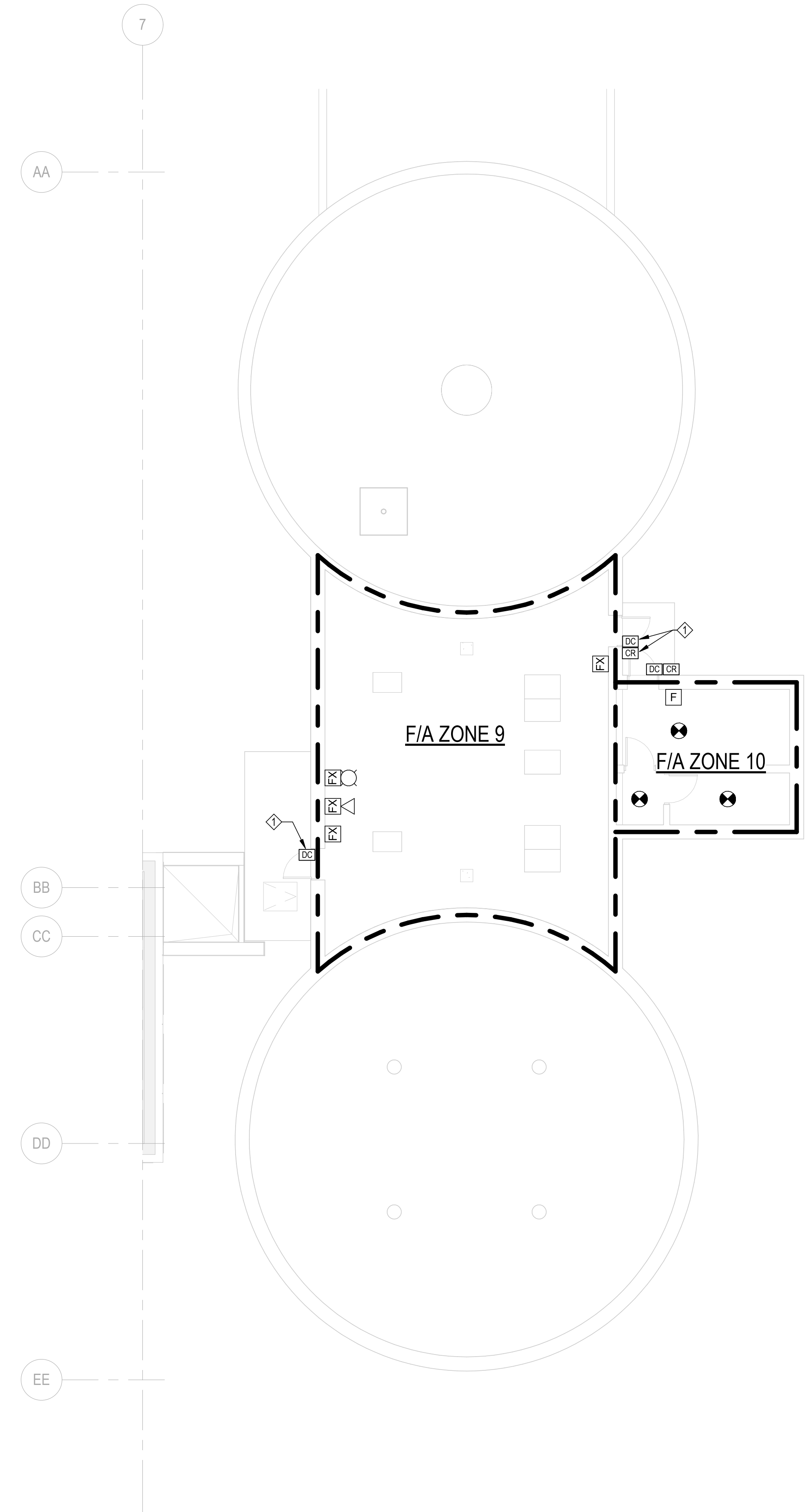
PROJECT:
NEW NAPANEE WPCP

TITLE:
**DIGESTERS - MODIFIED
 POWER LAYOUT**

SCALE: 1:100	JOB NO: 22001
DESIGNED BY: B.A.M.	DATE: 2023/06/13
DRAWN BY: B.A.M.	DRAWING NO. E5111
CHECKED BY: J.E.S.	



1
E5131
FIRST FLOOR PLAN
1:100

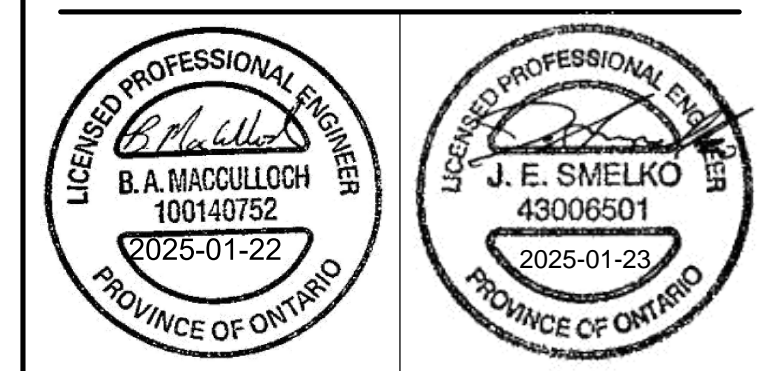


2
E5131
SECOND FLOOR PLAN
1:100

- NOTES:**
1. PROVIDE INTRINSICALLY SAFE DEVICES IN HAARDOUS LOCATIONS.
 2. FIRE ALARM, SECURITY AND DOOR ACCESS CONTROL PANELS FOR THIS BUILDING ARE LOCATED IN THE OPERATIONS BUILDING ELECTRICAL ROOM. SEE E5131 FOR LOCATIONS.

DATE	NO.	REVISION
2025/01/23	2	ISSUED FOR TENDER
2024/08/23	1	ISSUED FOR ECA APPROVAL

THE DRAWINGS, ARRANGEMENTS, ANNOTATIONS AND GRAPHICAL PRESENTATIONS ON THIS DOCUMENT ARE THE PROPERTY OF EVB ENGINEERING WHO RETAINS OWNERSHIP AND AUTHORITY OF THIS DOCUMENT IN ITS ENTIRETY. THIS DOCUMENT IS AN INSTRUMENT OF SERVICE AND IS THE INTELLECTUAL AND PHYSICAL PROPERTY OF EVB ENGINEERING. AUTHORIZED USE OF THIS DRAWING IS GRANTED SOLELY FOR THE PURPOSE OF THIS SPECIFIC PROJECT AND LOCATION, AND NOT FOR CONSTRUCTION OR USE FOR ANY OTHER PROJECT. COPYRIGHT © 2024 EVB ENGINEERING.



CONSULTANT:

800 SECOND STREET WEST
CORNWALL, ONTARIO CANADA, K6J 1H6
TEL: 613-935-3775 | FAX: 613-935-6450
WEBSITE: EVBengineering.com

SUB-CONSULTANT:

CLIENT:

GREATER FOR BARRY REGION

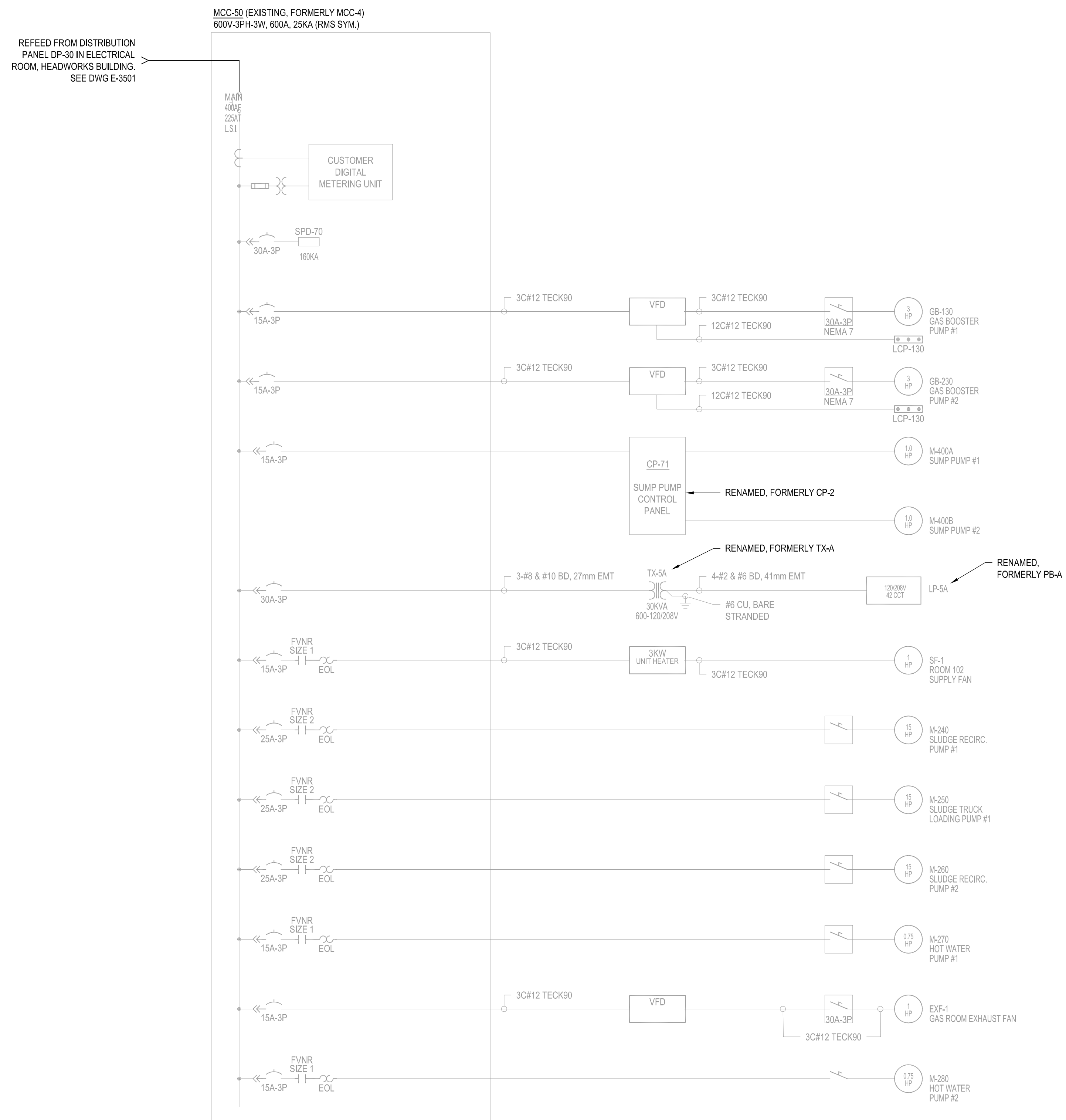
PROJECT:

NEW NAPANEE WPCP

TITLE:

DIGESTERS - FIRE & SECURITY LAYOUT

SCALE: 1:100	JOB NO: 22001
DESIGNED BY: B.A.M.	DATE: 2023/06/13
DRAWN BY: B.A.M.	DRAWING NO.:
CHECKED BY: J.E.S.	E5131



DIGESTER BUILDING (EXISTING)
SCALE: N.T.S.

LEGEND:

	EXISTING EQUIPMENT/WIRING TO REMAIN (NOTE 1)
	NEW EQUIPMENT/WIRING

NOTES:

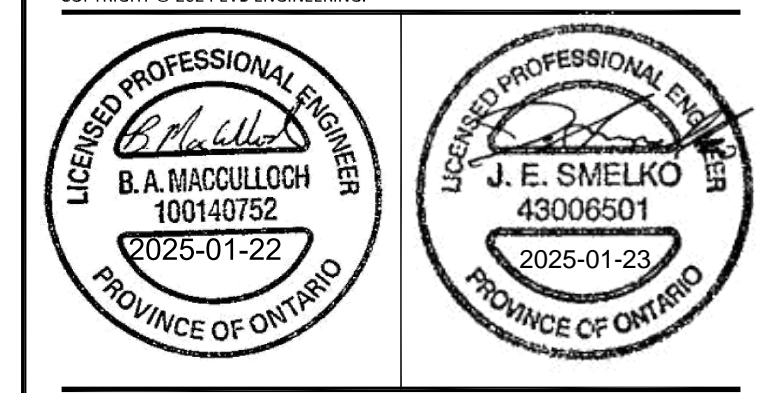
- CONTRACTOR TO RE-TAG ALL DEVICES WITH LAMICOID LABELS TO REFLECT NEW POWER DISTRIBUTION NAMING CONVENTIONS.

DIGITAL POWERMETER	CP-400 M-400A & M-400B SUMP PUMPS	M-240 SLUDGE RECIRC PUMP #1	EXF-1 GAS ROOM EXHAUST FAN
GB-130 BIOGAS BOOSTER PUMP	TRANSFORMER BREAKER	M-260 SLUDGE RECIRC PUMP #2	
GB-230 BIOGAS BOOSTER PUMP	SF-1 SUPPLY AIR FAN AND HEATER	M-250 SLUDGE TRUCK LOADING PUMP #1	
SPD AND BREAKER		M-270 HOT WATER PUMP #1	
MAIN BREAKER		M-280 HOT WATER PUMP #2	

ELEVATIONS - MCC-50 (EXISTING, FORMERLY MCC-4)
SCALE: N.T.S.

DATE	No.	REVISION
2025/01/23	2	ISSUED FOR TENDER
2024/08/23	1	ISSUED FOR ECA APPROVAL

THE DRAWINGS, ARRANGEMENTS, ANNOTATIONS AND GRAPHICAL PRESENTATIONS ON THIS DOCUMENT ARE THE PROPERTY OF EVB ENGINEERING WHO RETAINS OWNERSHIP AND AUTHORITY OF THIS DOCUMENT IN ITS ENTIRETY. THIS DOCUMENT IS AN INSTRUMENT OF SERVICE AND IS THE INTELLECTUAL AND PHYSICAL PROPERTY OF EVB ENGINEERING. AUTHORIZED USE OF THIS DRAWING IS GRANTED SOLELY FOR THE PURPOSE OF THIS SPECIFIC PROJECT AND LOCATION, AND NOT FOR CONSTRUCTION OR USE FOR ANY OTHER PROJECT.
COPYRIGHT © 2024 EVB ENGINEERING



CONSULTANT:

 800 SECOND STREET WEST
 CORNWALL, ONTARIO CANADA, K6J 1H6
 TEL: 813-885-3775 | FAX: 813-885-6450
 WEBSITE: EVBengineering.com

SUB-CONSULTANT:

CLIENT:

 Greater Napanee
 DELAID FOR MANY REASONS

PROJECT:
NEW NAPANEE WPCP

TITLE:
**BUILDING 5000
 DIGESTERS
 SINGLE LINE DIAGRAM**

SCALE: N.T.S.	JOB NO: 22001
DESIGNED BY: J.S.	DATE: 2025/01/23
DRAWN BY: B.M.	DRAWING NO. E5501
CHECKED BY: J.S.	

M:\2025\22001 - Napanee WPCP - Updates\E.D. Dwg - WPCP\A11 ELEC\22001 E501 - SLD.dwg Jun 16, 2025 4:35pm B (Yamad.mosakbch)