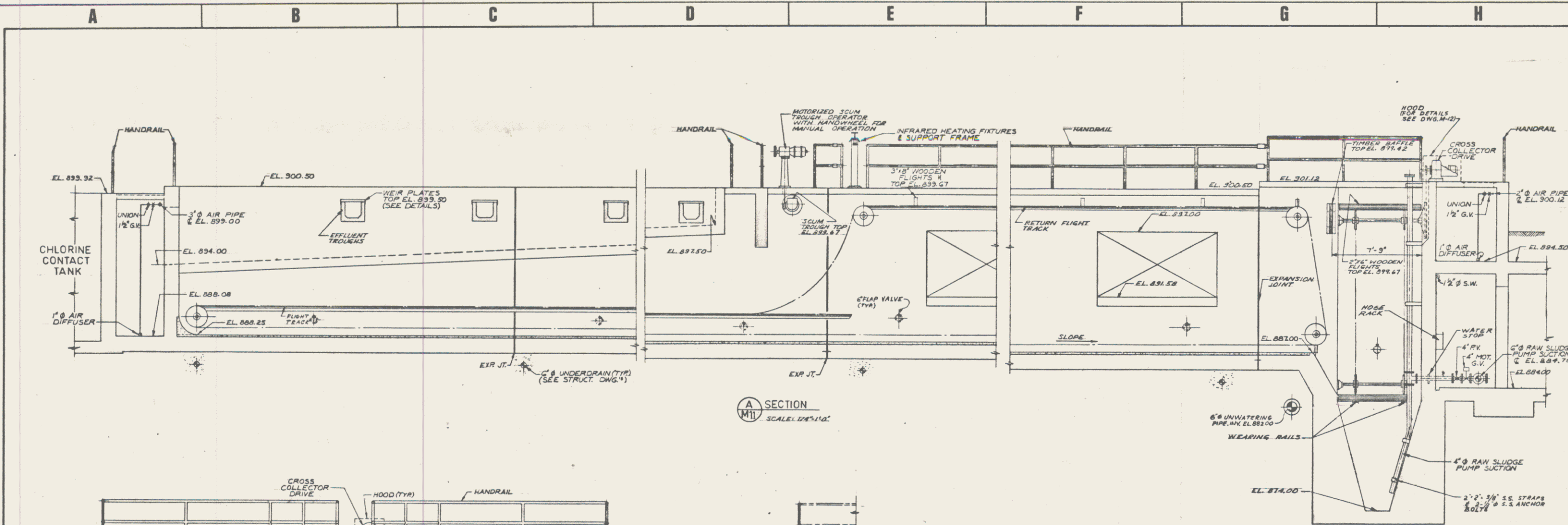


PART PLAN ABOVE EL. 899.25

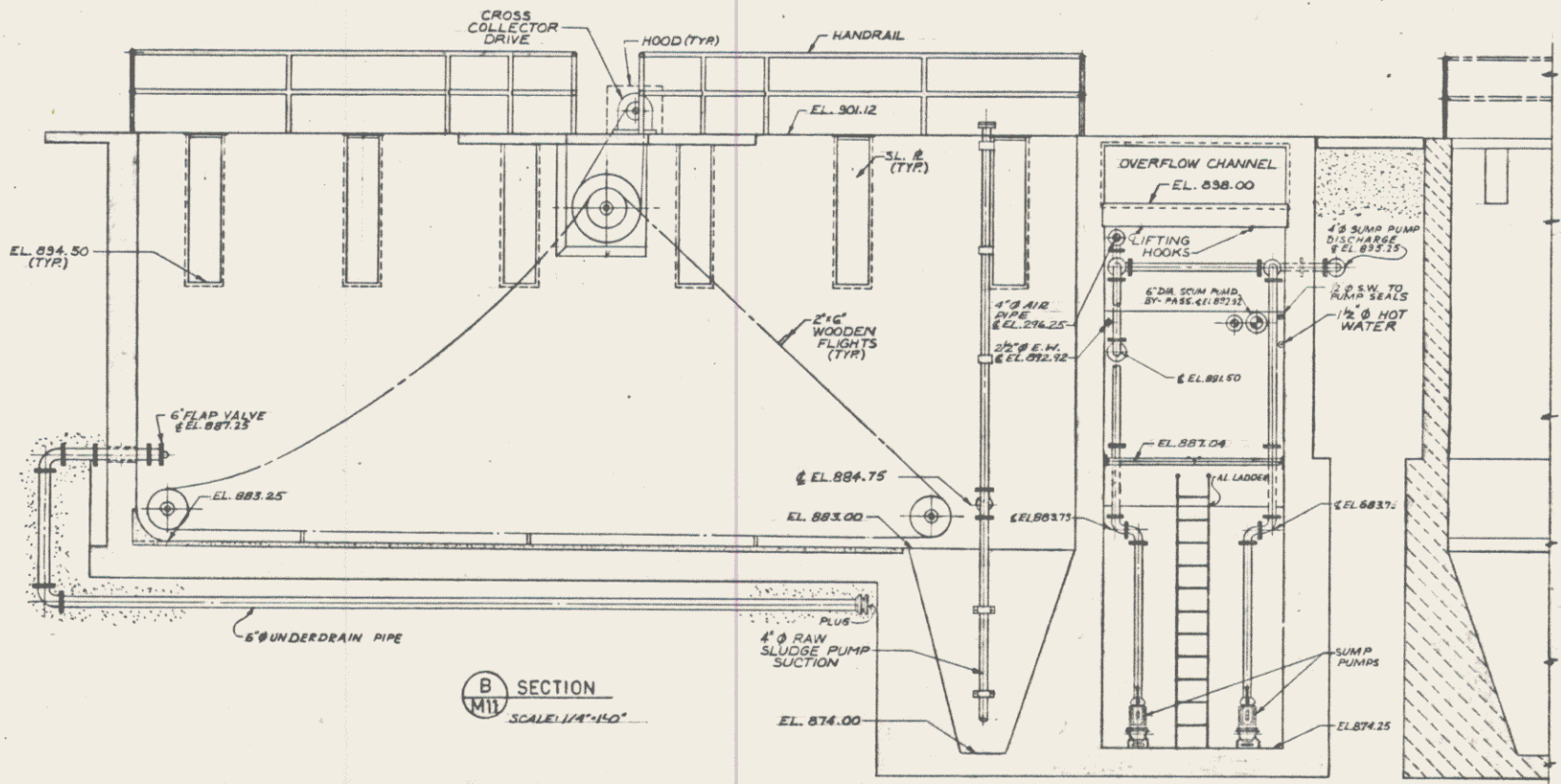
PLAN ABOVE EL. 905.0

PART PLAN ABOVE EL. 900.50

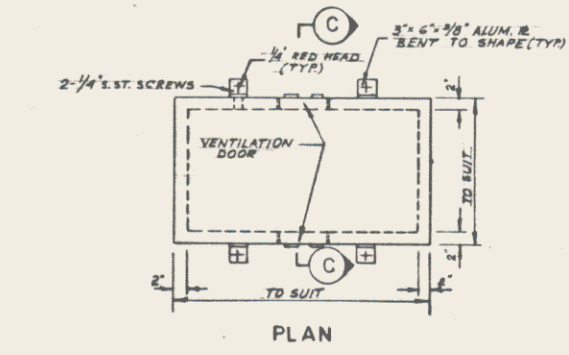
NOTES REVISED AS CONSTRUCTED	CHECKED		<p>PRIMARY SETTLING TANK #2 PLAN</p>	<p>CITY OF TIMMINS MATTAGAMI RIVER WATER POLLUTION CONTROL PLANT</p>	GORE & STORRIE LIMITED CONSULTING ENGINEERS TORONTO ONTARIO	
	DATE				SIGNED	DATE FEB. 1977
					SCALE 1/4" = 1'-0"	DRAWING NO. M-11



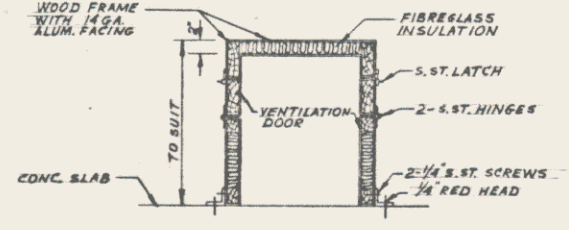
A SECTION
SCALE: 1/4" = 1'-0"



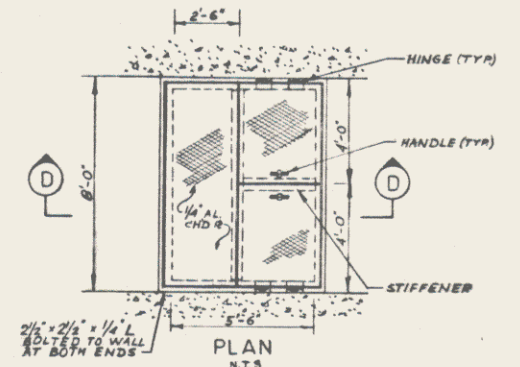
B SECTION
SCALE: 1/4" = 1'-0"



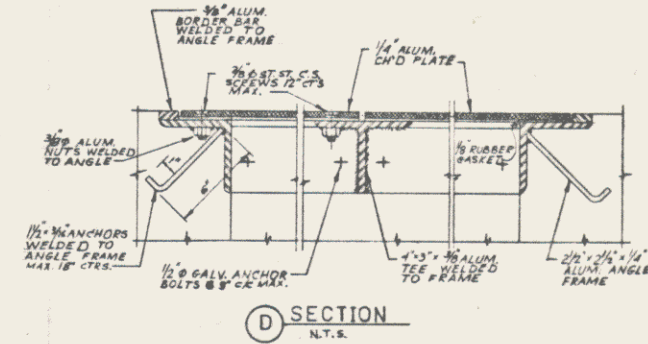
PLAN



C SECTION
COLLECTOR DRIVE HOOD
N.T.S.



PLAN
N.T.S.



D SECTION
N.T.S.

DETAILS OF SUMP PUMP FRAME & COVER
(SEE DWG. M-24 FOR ADDITIONAL INFORMATION)

NOTES
REVISED AS CONSTRUCTED

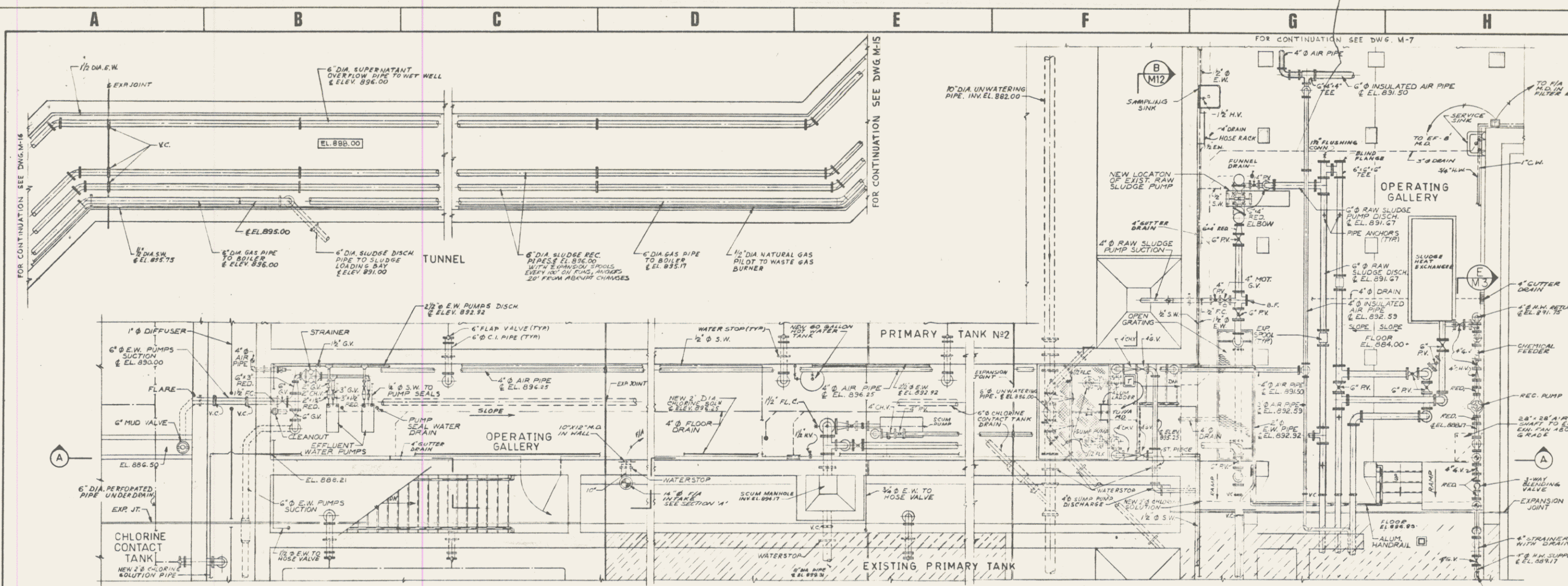
CHECKED
DESIGNER
DEPARTMENT HEAD
PROJECT MANAGER

GORE & STORRIE LIMITED
REGISTERED PROFESSIONAL ENGINEERS
G. G. POWELL
PROVINCE OF ONTARIO

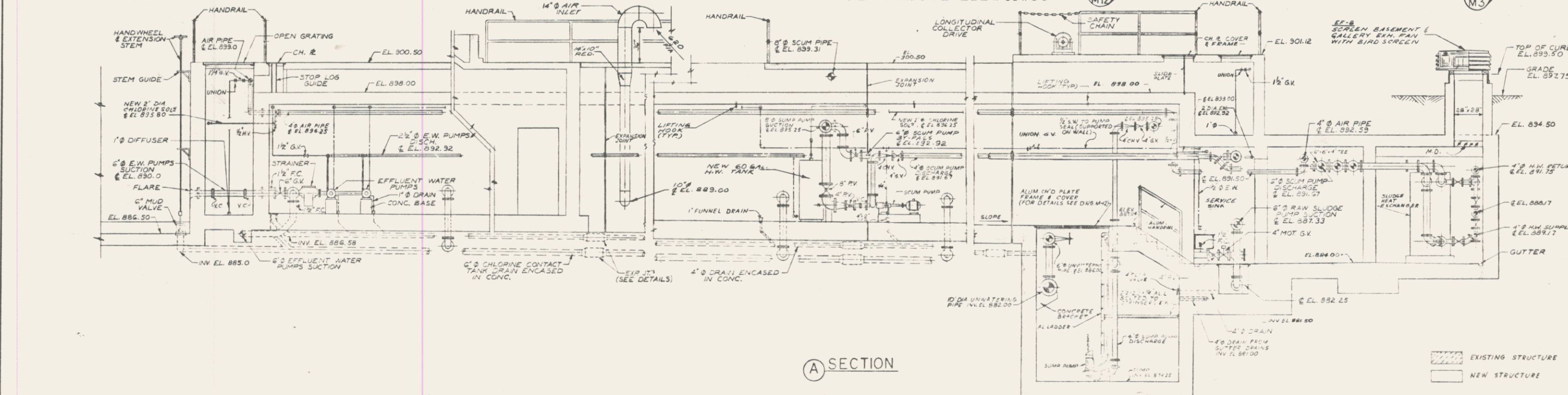
PRIMARY SETTLING TANK #2
SECTIONS

CITY OF TIMMINS
MATTAGAMI RIVER WATER POLLUTION CONTROL PLANT

GORE & STORRIE LIMITED
CONSULTING ENGINEERS
TORONTO ONTARIO
DATE FEB. 1977
SCALE 1/4" = 1'-0"
FILE # 347.07-D-16092
DRAWING # M-12



PLAN ABOVE ELEV. 887.00



SECTION A

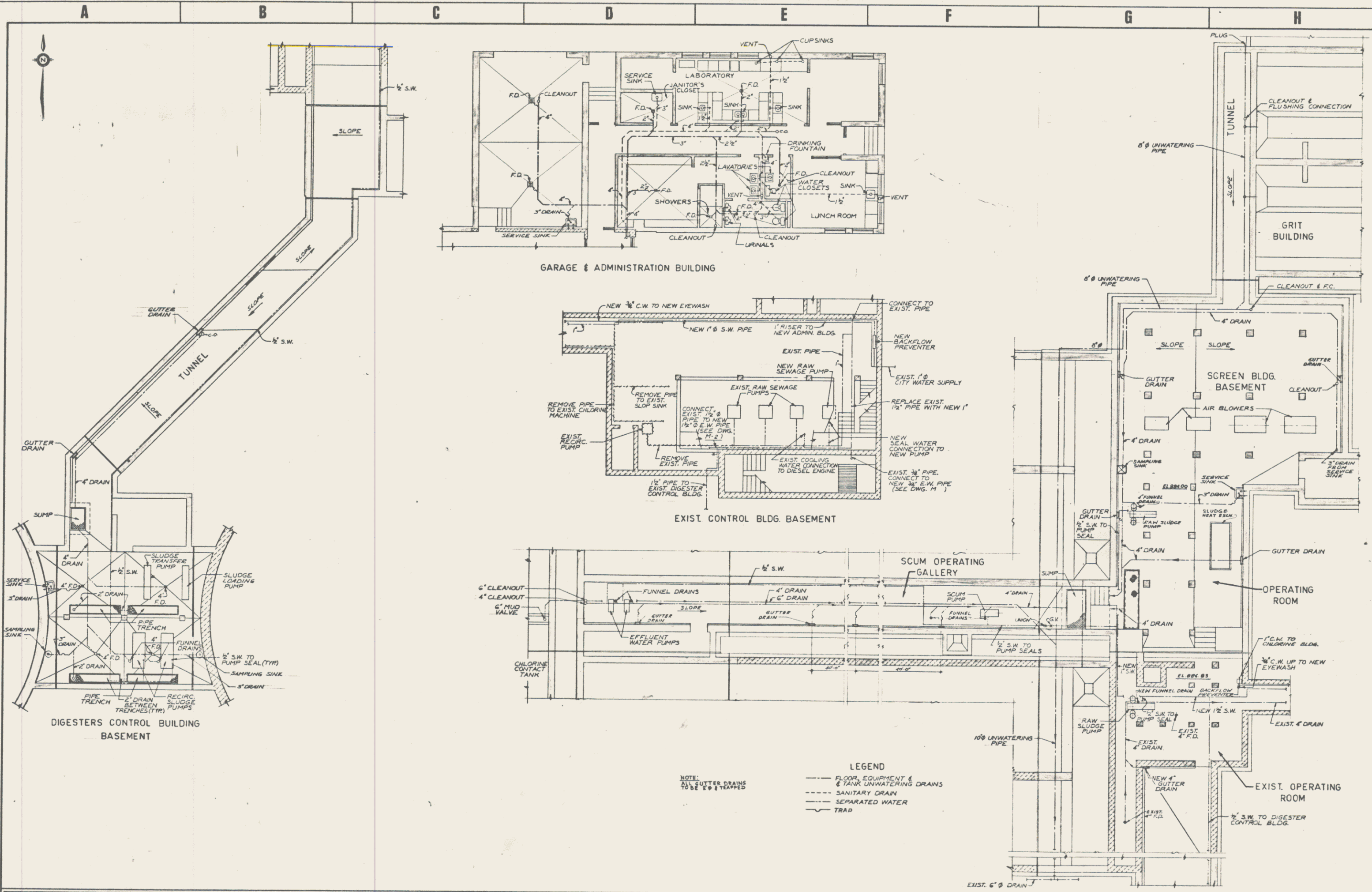
NOTES	CHECKED	DESIGNED
REVISAS AS CONSTRUCTED	DATE	SIGNED

CHECKED
 DESIGNER
 PROJECT MANAGER
 GORE & STORRIE LIMITED

**OPERATING GALLERY
 PLAN & SECTIONS**

CITY OF TIMMINS
MATTAGAMI RIVER WATER POLLUTION CONTROL PLANT

GORE & STORRIE LIMITED CONSULTING ENGINEERS TORONTO, ONTARIO	
DATE: FEB. 1977	FILE NO: 34707-D-16093
SCALE: 1/4" = 1'-0"	DRAWING NO: M-13



NOTES

REVISED AS CONSTRUCTED

DATE

SIGNS

CHECKED

DESIGNER

DEPARTMENT HEAD

PROJECT MANAGER

GORE & STORRIE LIMITED

REGISTERED PROFESSIONAL ENGINEER

G. G. POWELL

PROVINCE OF ONTARIO

DRAINAGE & WATER SYSTEMS

CITY OF TIMMINS

MATTAGAMI RIVER WATER POLLUTION CONTROL PLANT

GORE & STORRIE LIMITED

CONSULTING ENGINEERS

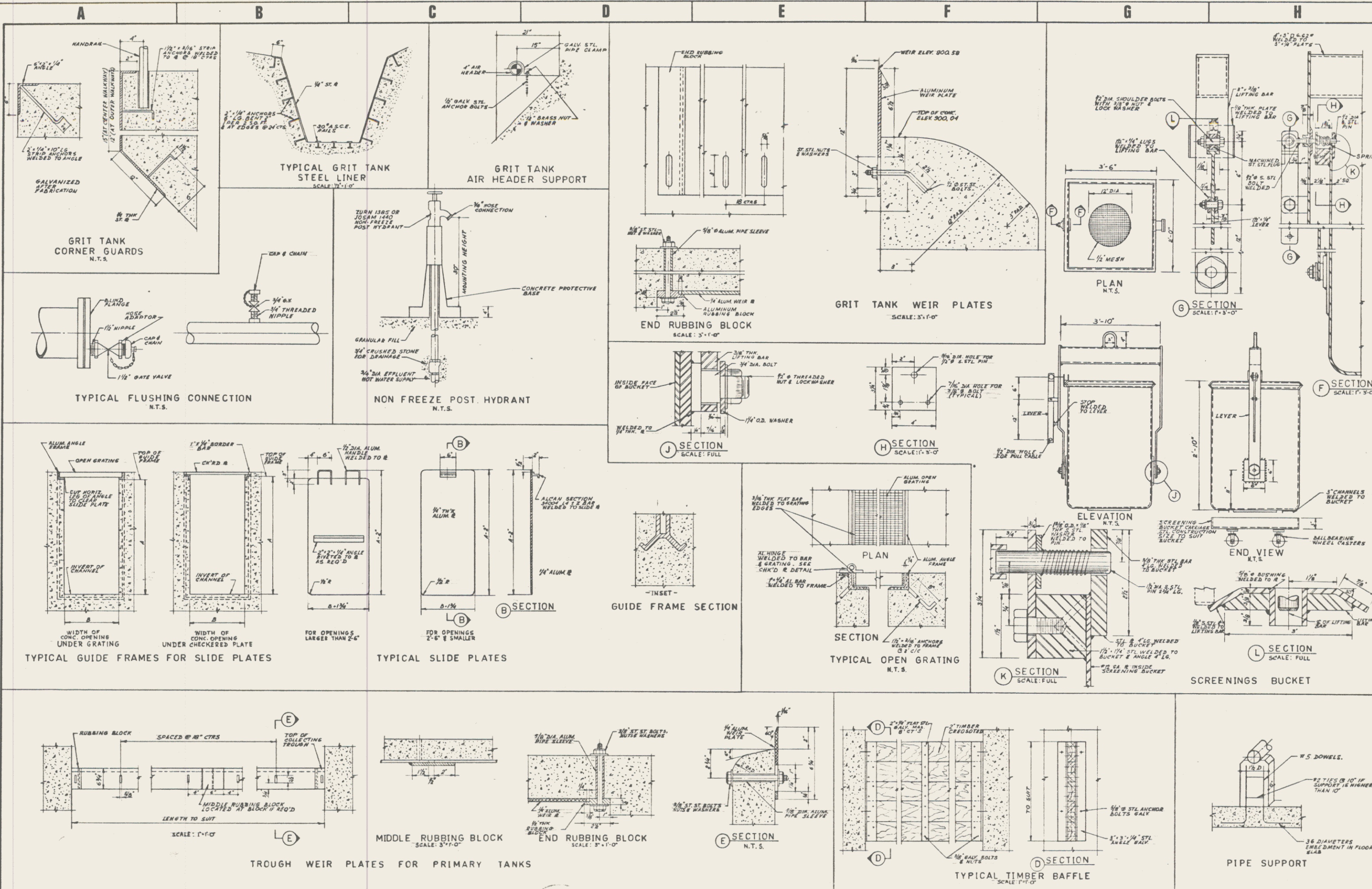
TORONTO ONTARIO

DATE FEB. 1977

FILE # 347.07-D-16103

SCALE 1/8" = 1'-0"

DRAWING # M-23



NOTES

REVISAS AS CONSTRUCTED

DATE

SIGHTS

CHECKED

DESIGNER

DEPARTMENT HEAD

PROJECT MANAGER

GORE & STORRIE LIMITED

MISCELLANEOUS DETAILS (1)

CITY OF TIMMINS

MATTAGAMI RIVER WATER POLLUTION CONTROL PLANT

GORE & STORRIE LIMITED

CONSULTING ENGINEERS

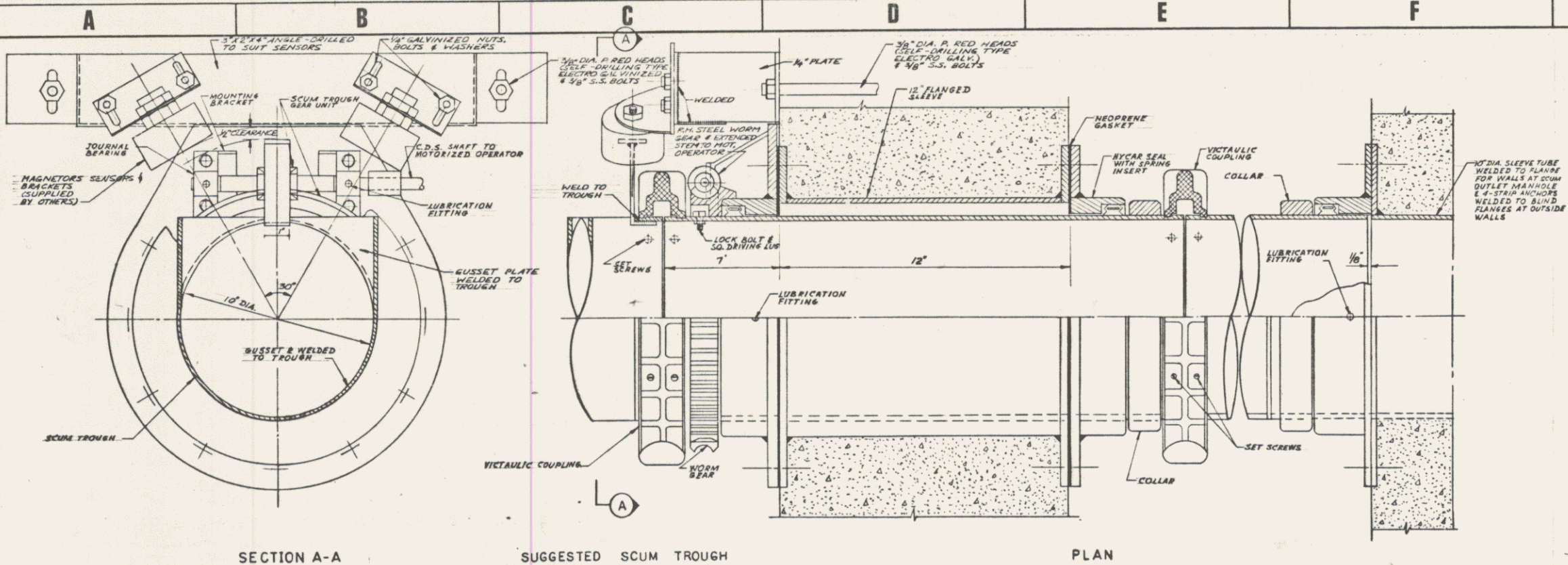
TORONTO ONTARIO

DATE FEB. 1977

SCALE AS NOTED

FILE # 347.07-D-1G104

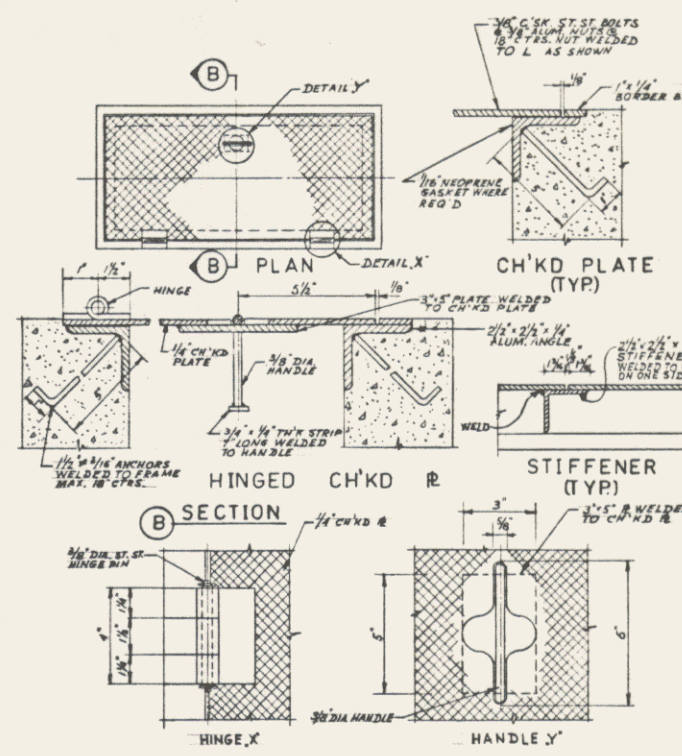
DRAWING # M-24



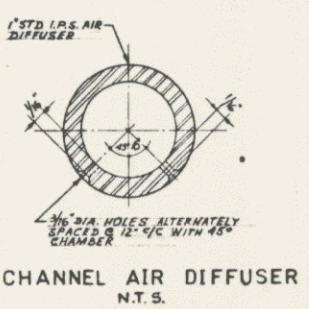
SECTION A-A

SUGGESTED SCUM TROUGH & SENSOR MOUNTING DETAILS

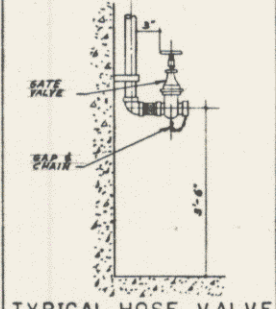
PLAN



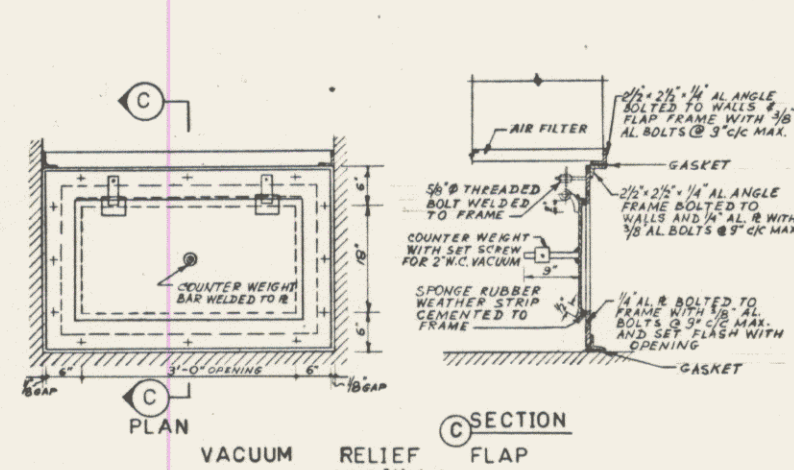
ALUM. CHECKERED PLATE DETAILS N.T.S.



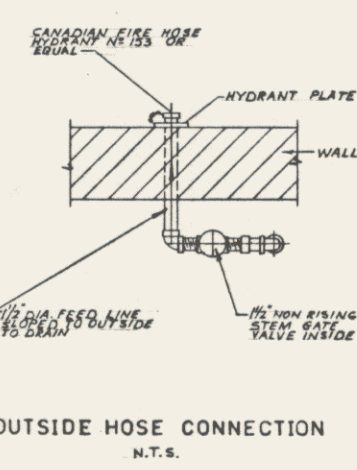
CHANNEL AIR DIFFUSER N.T.S.



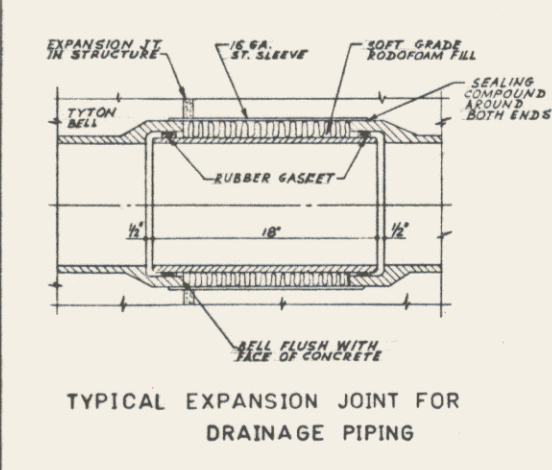
TYPICAL HOSE VALVE



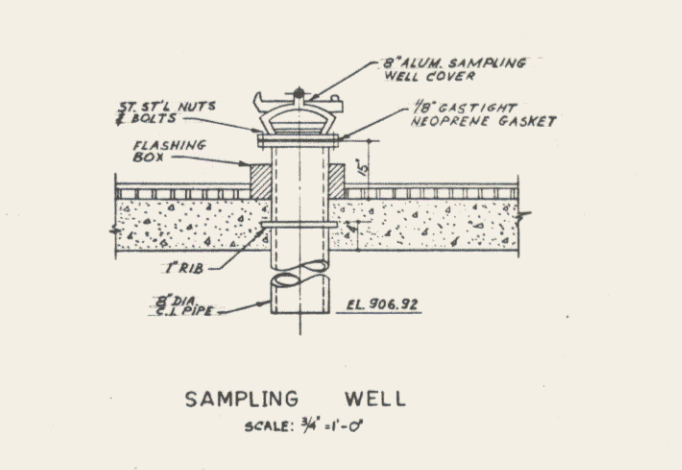
VACUUM RELIEF FLAP SCALE: 3/4\"/>



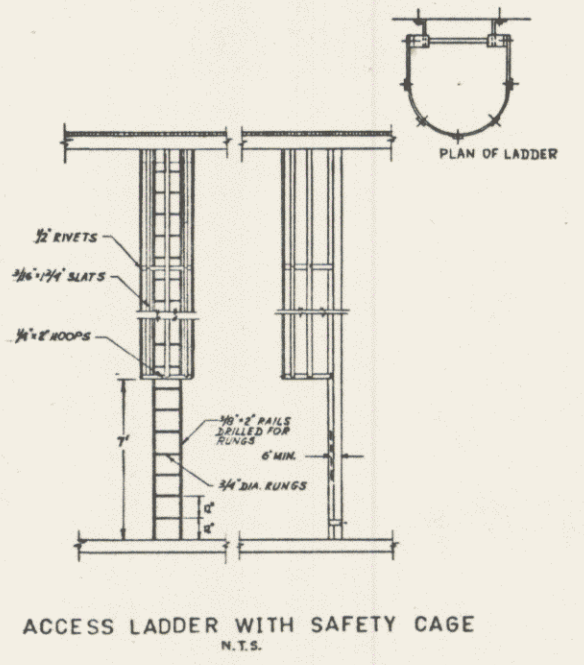
OUTSIDE HOSE CONNECTION N.T.S.



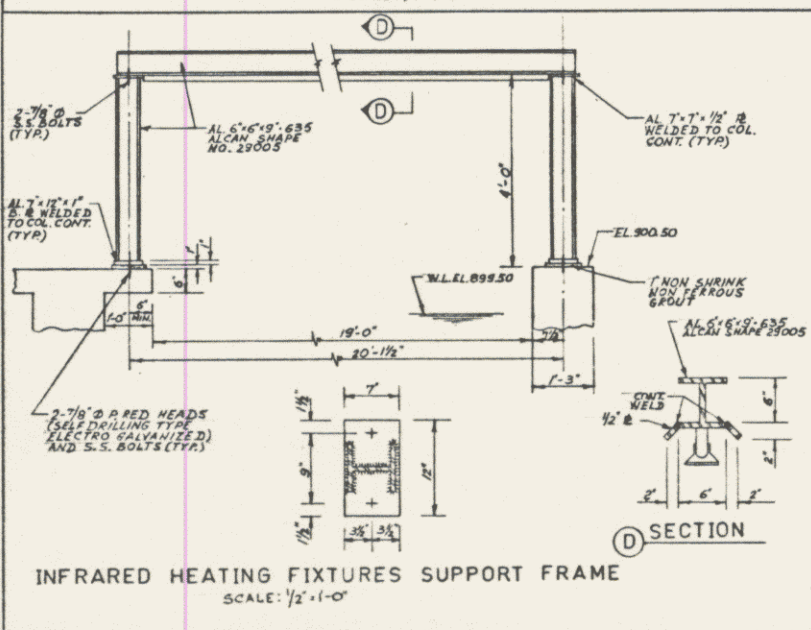
TYPICAL EXPANSION JOINT FOR DRAINAGE PIPING



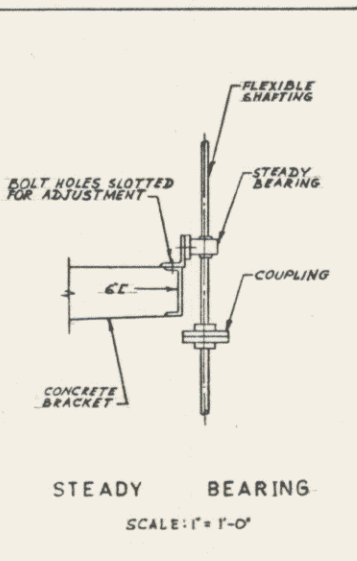
SAMPLING WELL SCALE: 3/4\"/>



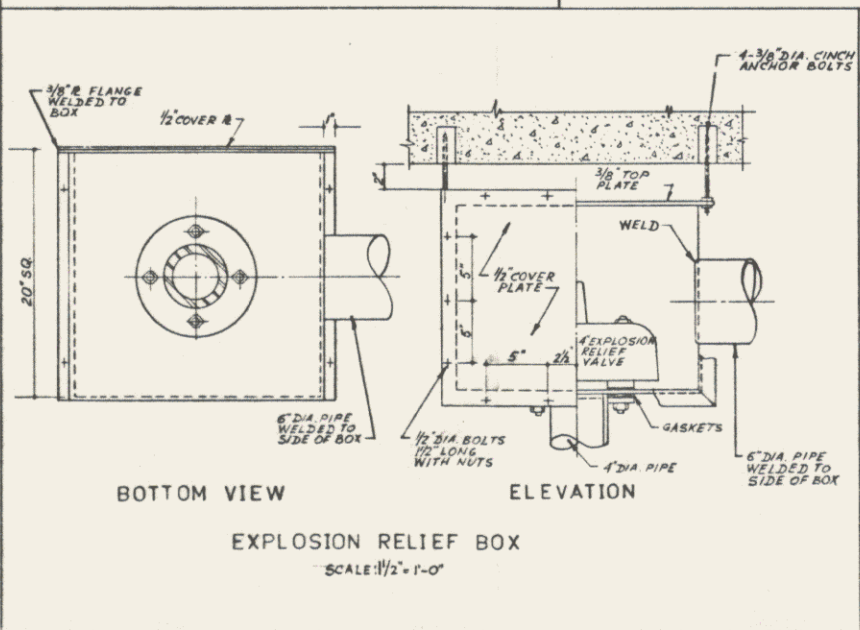
ACCESS LADDER WITH SAFETY CAGE N.T.S.



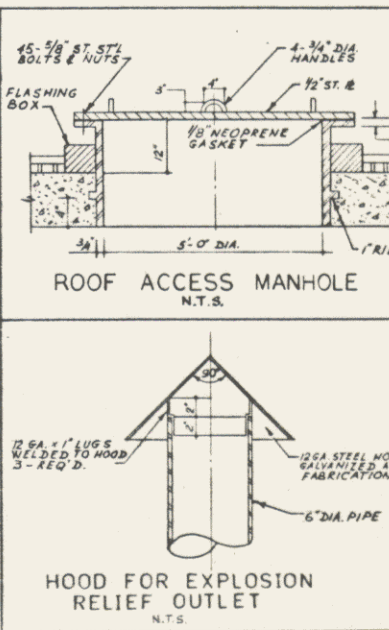
INFRARED HEATING FIXTURES SUPPORT FRAME SCALE: 1/2\"/>



STEADY BEARING SCALE: 1\"/>



EXPLOSION RELIEF BOX SCALE: 1/2\"/>



ROOF ACCESS MANHOLE N.T.S.

HOOD FOR EXPLOSION RELIEF OUTLET N.T.S.

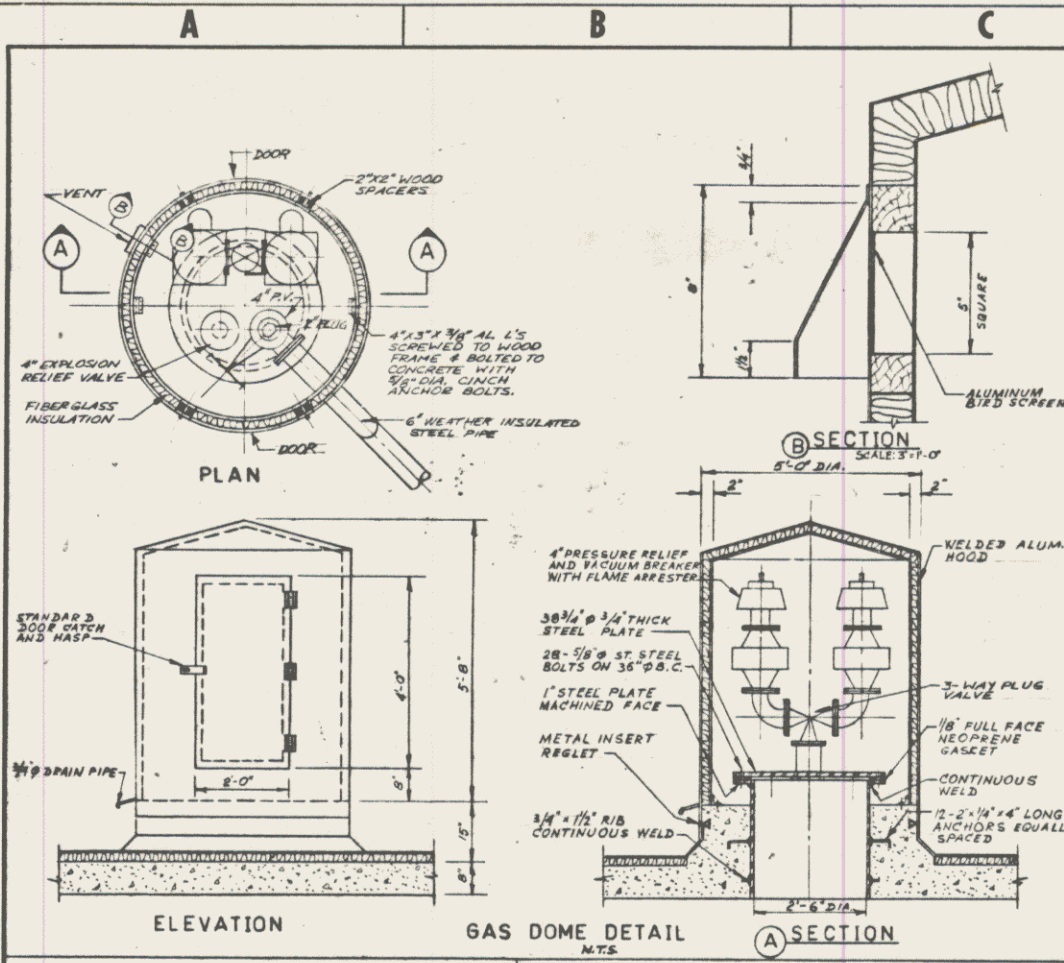
NOTES
 REVISED AS CONSTRUCTED
 DATE _____ SIGNED _____

CHECKED _____
 DESIGNER _____
 DEPARTMENT HEAD _____
 PROJECT MANAGER _____
 GORE & STORRIE LIMITED
 REGISTERED PROFESSIONAL ENGINEER
 G. G. POWELL
 PROVINCE OF ONTARIO

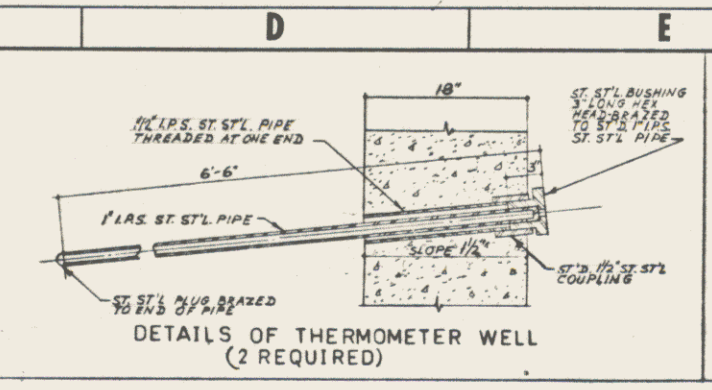
MISCELLANEOUS DETAILS (2)

CITY OF TIMMINS
 MATTAGAMI RIVER WATER POLLUTION CONTROL PLANT

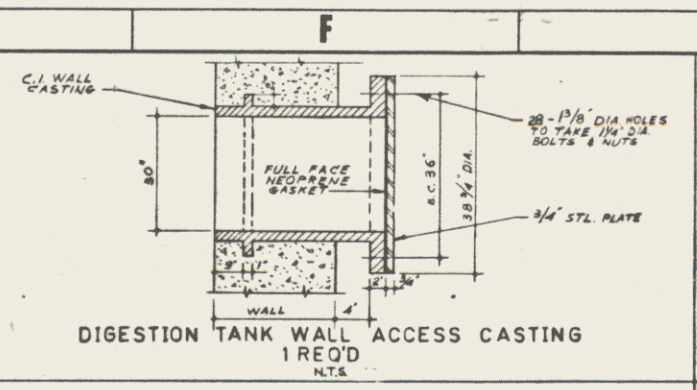
GORE & STORRIE LIMITED
 CONSULTING ENGINEERS
 TORONTO ONTARIO
 DATE FEB. 1977 FILE NO. 34707-D-16105
 SCALE AS NOTED DRAWING NO. M-25



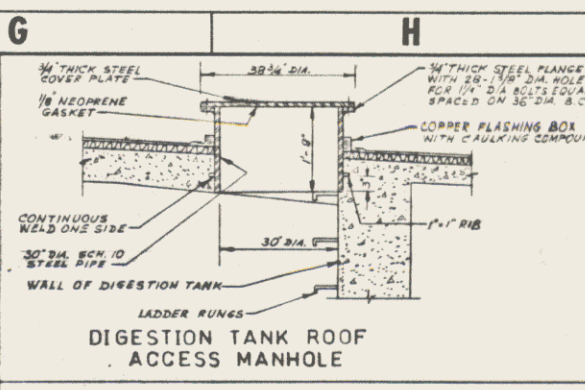
GAS DOME DETAIL
N.T.S.



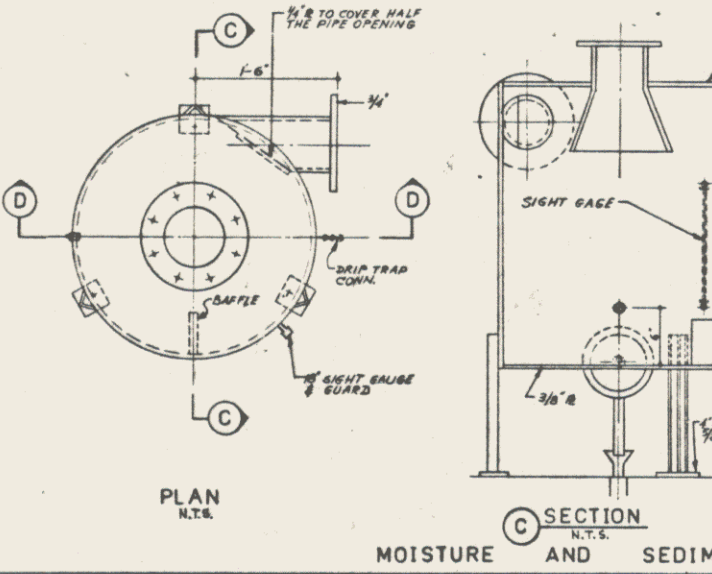
DETAILS OF THERMOMETER WELL
(2 REQUIRED)



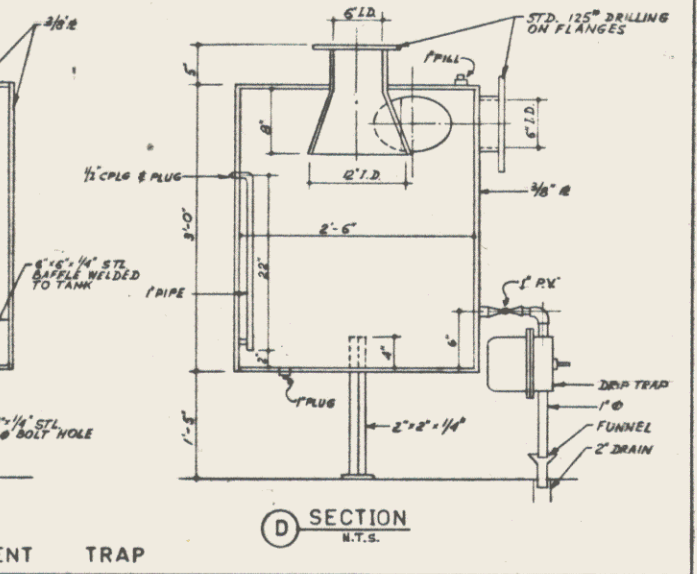
DIGESTION TANK WALL ACCESS CASTING
1 REQ'D
N.T.S.



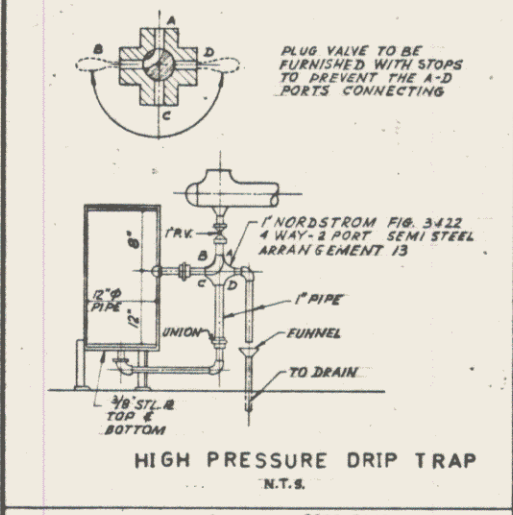
DIGESTION TANK ROOF ACCESS MANHOLE



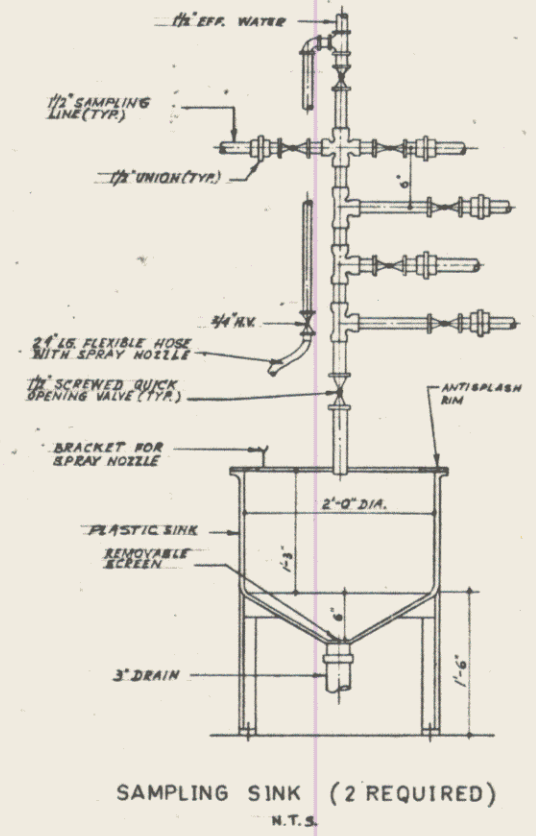
MOISTURE AND SEDIMENT TRAP



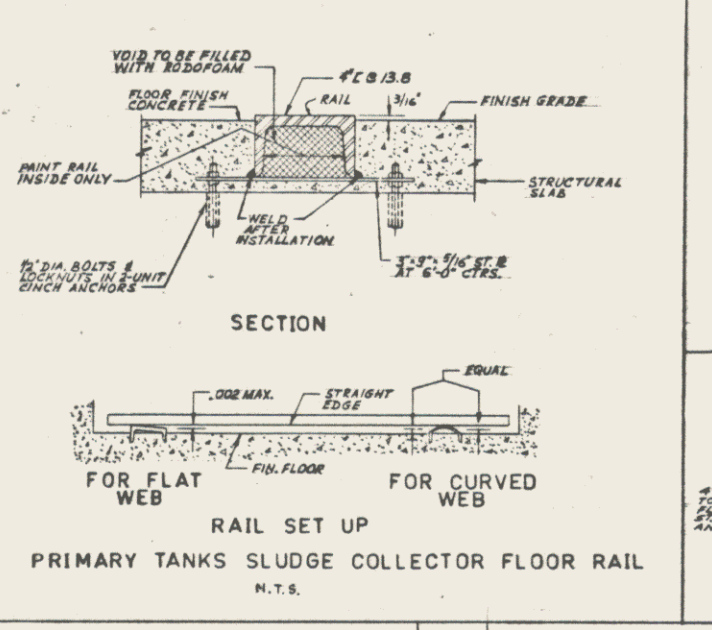
GAS BUBBLER WELL - TYPICAL
(9 REQUIRED)
SCALE: 1\"/>



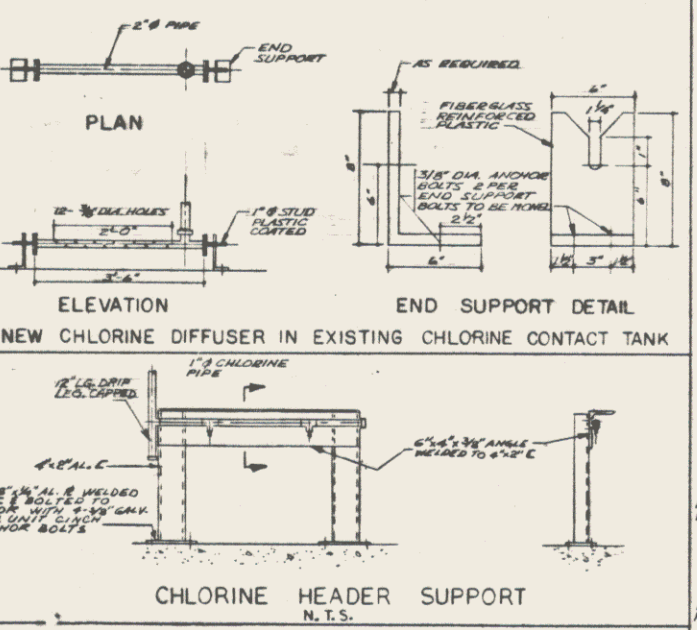
HIGH PRESSURE DRIP TRAP
N.T.S.



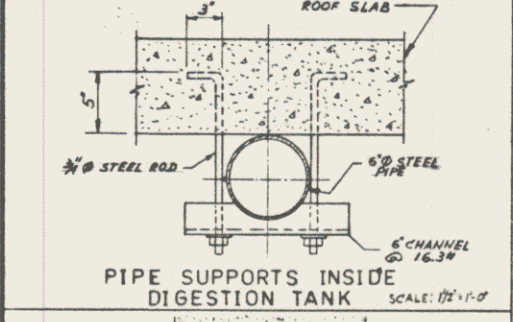
SAMPLING SINK (2 REQUIRED)
N.T.S.



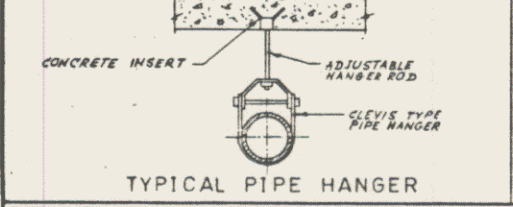
**RAIL SET UP
PRIMARY TANKS SLUDGE COLLECTOR FLOOR RAIL**
N.T.S.



CHLORINE HEADER SUPPORT
N.T.S.

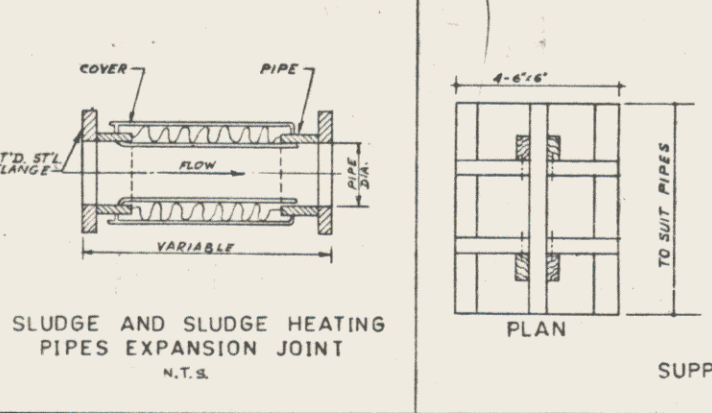


PIPE SUPPORTS INSIDE DIGESTION TANK
SCALE: 1\"/>

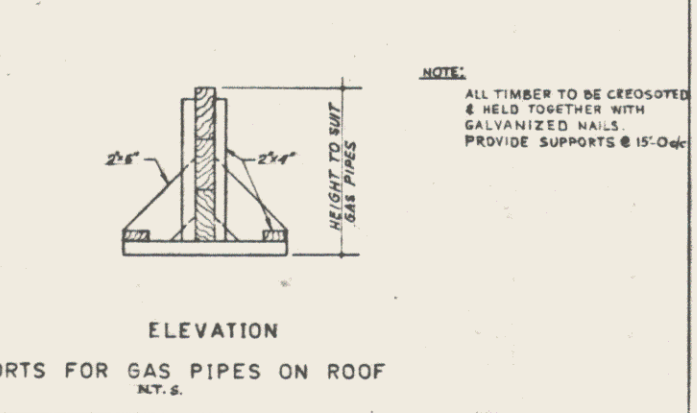


TYPICAL PIPE HANGER

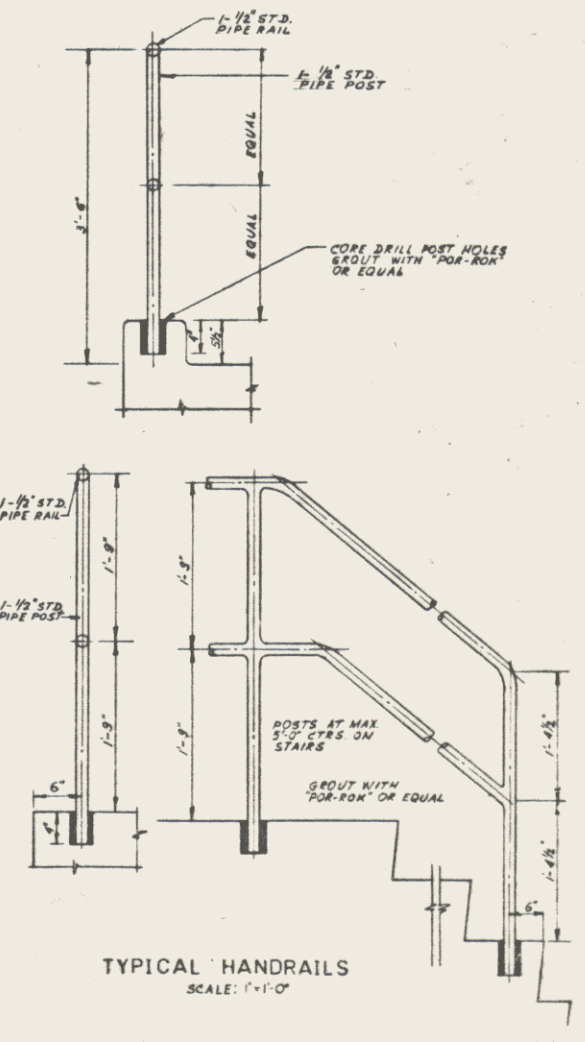
- NOTES:**
1. PLASTIC SAMPLE CONTAINER CAPACITY 100 ml.
 2. GRADUATIONS IN 10 ml. \pm 1% BY VOLUME.
 3. MAJOR GRADUATIONS TO BE AT 5% INTERVALS AND MARKED IN 1% FROM 5% TO 60% RANGE.
 4. SUPPLY TWO AUXILIARY REMOVABLE CONTAINERS.
 5. PAINT COLOUR AS DIRECTED.



SLUDGE AND SLUDGE HEATING PIPES EXPANSION JOINT
N.T.S.



SUPPORTS FOR GAS PIPES ON ROOF
N.T.S.



TYPICAL HANDRAILS
SCALE: 1\"/>

NOTES

REVISOR: _____ DATE: _____

DESIGNED BY: _____

DEPARTMENT HEAD: _____

PROJECT MANAGER: _____

CHECKED

DESIGNER

DEPARTMENT HEAD

PROJECT MANAGER

GORE & STORRIE LIMITED

MISCELLANEOUS DETAILS (3)

CITY OF TIMMINS

MATTAGAMI RIVER WATER POLLUTION CONTROL PLANT

GORE & STORRIE LIMITED
CONSULTING ENGINEERS
TORONTO ONTARIO

DATE: FEB. 1977

FILE NO: 34707-D-16106

SCALE: AS NOTED

DRAWING NO: M-26